

Drives

Document Part Number: 419424-001

January 2007

This guide explains the computer hard drive and optical disc drive.

Contents

1 Drive care

2 Drive light

3 Hard drive

Replacing the hard drive 3–1

4 Optical drives (select models only)

Using optical discs 4–1

 Inserting an optical disc 4–3

 Removing an optical disc (with power) 4–4

 Removing an optical disc (without power) 4–5

 Avoiding the Sleep state or Hibernation 4–6

Replacing the optical drive 4–7

Index

Drive care

Drives are fragile computer components that must be handled with care. Refer to the following cautions when handling drives. Additional cautions are included with the procedures to which they apply.



CAUTION: To reduce the risk of damage to the computer, damage to a drive, or loss of information, observe these precautions:

- Initiate Sleep, and allow the screen to clear, before you move a computer or external hard drive from one location to another.
 - Before handling a drive, discharge static electricity by touching the unpainted metal surface of the drive.
 - Do not touch the drive connector pins on a removable drive or on the computer.
 - Handle the drive carefully; do not drop or compress the drive.
 - Before removing or inserting a drive, shut down the computer. If you are unsure whether the computer is off or in Hibernation, turn the computer on, and then shut it down through the operating system.
 - Do not use excessive force when inserting a drive into a drive bay.
 - Do not type on the keyboard or move the computer when the optical drive is writing to media. The write process is sensitive to vibration.
 - When the battery is the only source of power, ensure that the battery is sufficiently charged before writing to media.
 - Avoid exposing a drive to temperature or humidity extremes.
 - Avoid exposing a drive to liquids. Do not spray it with cleaning products.
 - Remove media from a drive before removing the drive from the drive bay, or traveling with, shipping, or storing a drive.
 - If a drive must be mailed, place the drive in a bubble-pack mailer or other suitable protective packaging and label the package "FRAGILE."
 - Avoid exposing a drive to magnetic fields. Security devices with magnetic fields include airport walk-through devices and security wands. The airport security devices that check carry-on luggage, such as conveyor belts, use x-rays instead of magnetism and will not damage a drive.
-

2

Drive light

The drive light blinks when either the hard drive or the optical drive is being accessed.



Replacing the hard drive



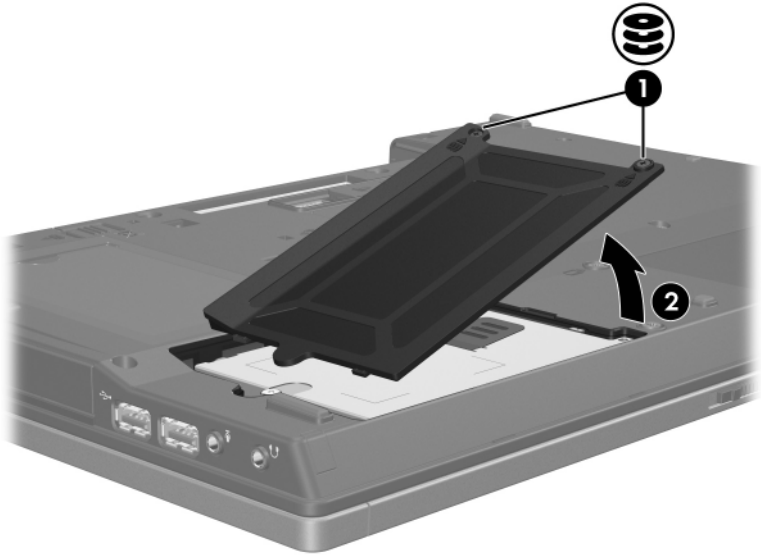
CAUTION: To prevent system lockup and loss of information:

- Shut down the computer before removing the hard drive from the hard drive bay. Do not remove the hard drive while the computer is on, in the Sleep state, or in Hibernation.
 - If you are not sure whether the computer is off or in Hibernation, turn the computer on by pressing the power button. Then shut down the computer through the operating system.
-

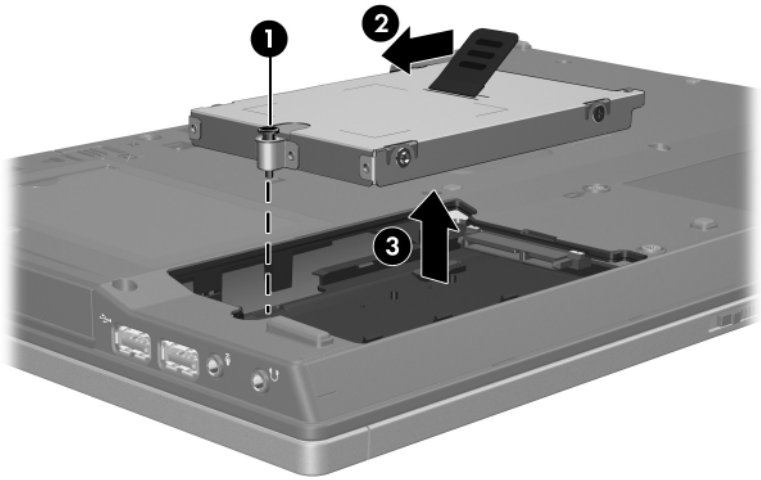
To remove the hard drive:

1. Save your work.
2. Shut down the computer and close the display.
3. Disconnect all external devices connected to the computer.
4. Unplug the power cord from the computer.
5. Turn the computer upside down on a flat surface.
6. Remove the battery from the computer.

7. With the hard drive bay towards you, loosen the 2 hard drive cover screws **1**.
8. Lift the hard drive cover away from the computer **2**.

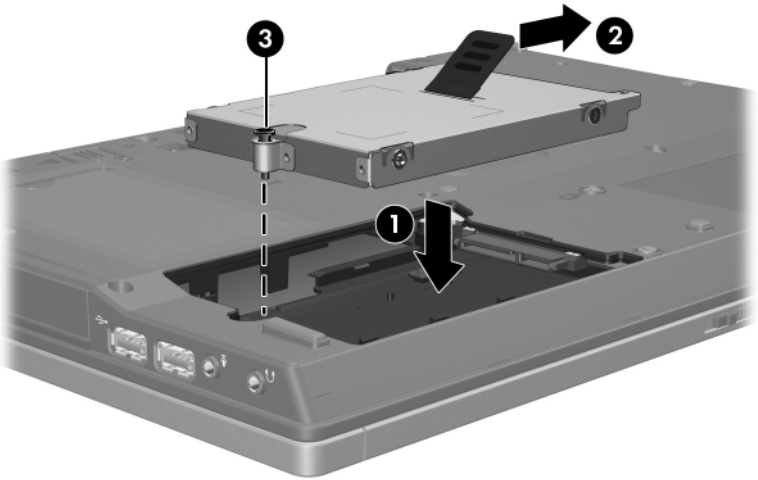


9. Loosen the hard drive screw **1**.
10. Pull the hard drive tab **2** to the left to disconnect the hard drive.
11. Lift the hard drive **3** from the computer.

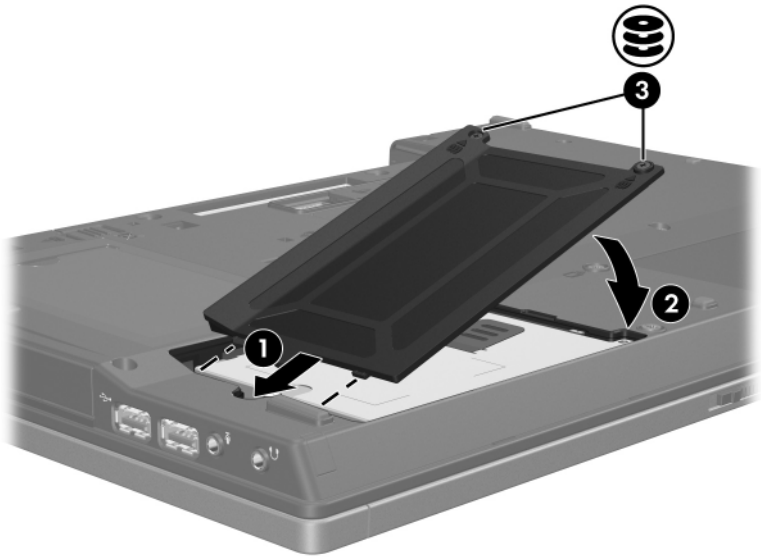


To install a hard drive:

1. Insert the hard drive into the hard drive bay **1**.
2. Pull the hard drive tab **2** to the right to connect the hard drive.
3. Tighten the hard drive screw **3**.



4. Align the tabs **1** on the hard drive cover with the notches on the computer.
5. Close the cover **2**.
6. Tighten the hard drive cover screws **3**.



Optical drives (select models only)

Using optical discs

An optical drive, such as a DVD-ROM drive, supports optical discs (DVDs and CDs). These discs are used to store or transport information and to play music and movies. DVDs have a higher capacity than CDs.

The computer can read or write to optical drives as described in the following table.


Type of Optical Drive	Read CD and DVD-ROM	Write to CD-RW	Write to DVD±RW/R	Write to DVD+RW DL	Write label to LightScribe CD or DVD ±RW/R
CD-ROM Drive	Yes	No	No	No	No
DVD-ROM Drive	Yes	No	No	No	No
DVD/CD-RW Combo Drive	Yes	Yes	No	No	No
DVD±RW and CD-RW Combo Drive	Yes	Yes	Yes	Yes	No
LightScribe DVD±RW and CD-RW Combo Drive	Yes	Yes	Yes	Yes	Yes



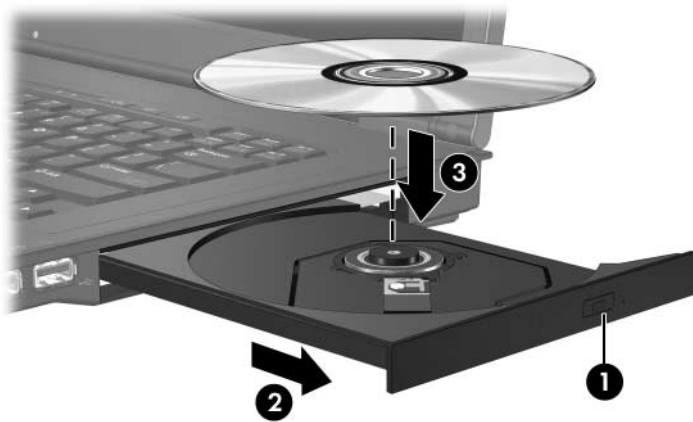
Some of the optical drives listed may not be supported by your computer. The listed drives may not include all of the supported optical drives.

Inserting an optical disc

1. Turn on the computer.
2. Press the release button **1** on the drive bezel to release the media tray.
3. Pull out the tray **2**.
4. Hold the CD or DVD by the edges to avoid touching the flat surfaces and position the disc over the tray spindle with the label side up.

 If the tray is not fully accessible, tilt the disc carefully to position it over the spindle.

5. Gently press the disc **3** down onto the tray spindle until the disc snaps into place.



6. Close the media tray.




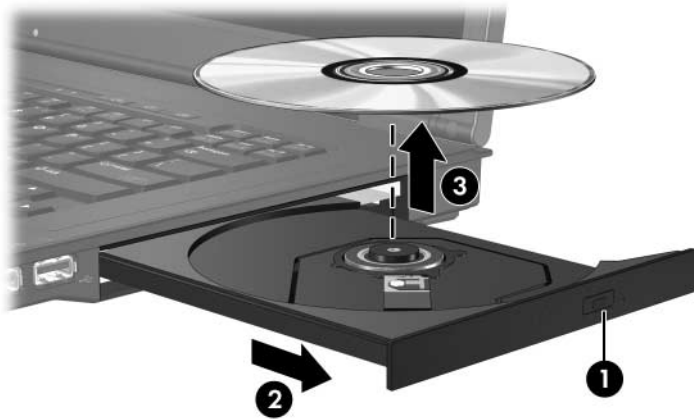
After you insert a disc, a short pause is normal. If you have not selected a default media player, an AutoPlay dialog box opens. It prompts you to select how you want to use the media content.

Removing an optical disc (with power)

If the computer is running on external or battery power:

1. Turn on the computer.
2. Press the release button **1** on the drive bezel to release the media tray, and then pull out the tray **2**.
3. Remove the disc **3** from the tray by gently pressing down on the spindle while lifting the outer edges of the disc. Hold the disk by the edges and avoid touching the flat surfaces.

 If the media tray is not fully accessible, tilt the disc carefully as you remove it.




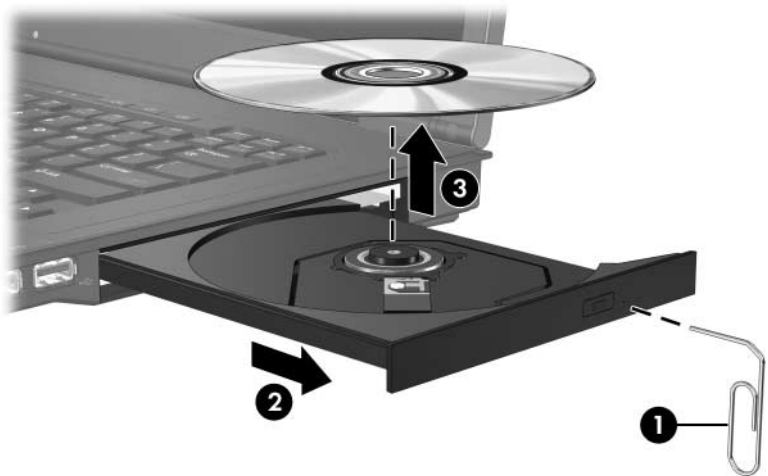
4. Close the media tray and place the disc in a protective case.

Removing an optical disc (without power)

If external or battery power is not available:

1. Insert the end of a paper clip **1** into the release access in the front bezel of the drive.
2. Press gently until the media tray is released, and then pull out the tray **2**. Remove the disc **3** from the tray by gently pressing down on the spindle while lifting the outer edges of the disc. Hold the disc by the edges and avoid touching the flat surfaces.

 If the media tray is not fully accessible, tilt the disc as you remove it.



3. Close the media tray and place the disc in a protective case.

Avoiding the Sleep state or Hibernation



CAUTION: To prevent possible audio and video degradation, or loss of audio or video playback functionality, do not initiate Sleep or Hibernation while reading or writing to a CD or DVD.

To prevent loss of information, do not initiate Sleep or Hibernation when writing to a CD or DVD.

If Sleep or Hibernation is initiated during playback of drive media (such as a CD or DVD), the computer will behave in one of the following ways:

- Your playback may be interrupted.
- You may see a warning message asking if you want to continue. If this message is displayed, click **No**.
- You may need to restart the CD or DVD to resume audio or video playback.

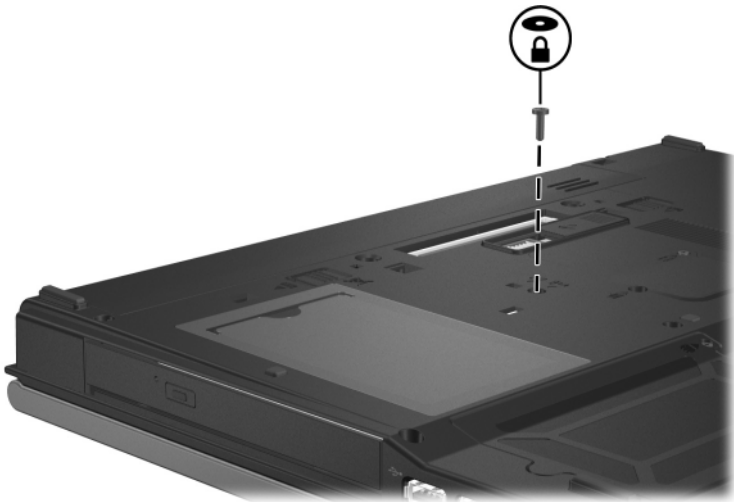
Replacing the optical drive

To remove the optical drive:

1. Shut down the computer.

If you are not sure whether the computer is off or in Hibernation, turn the computer on by pressing the power button. Then shut down the computer through the operating system.

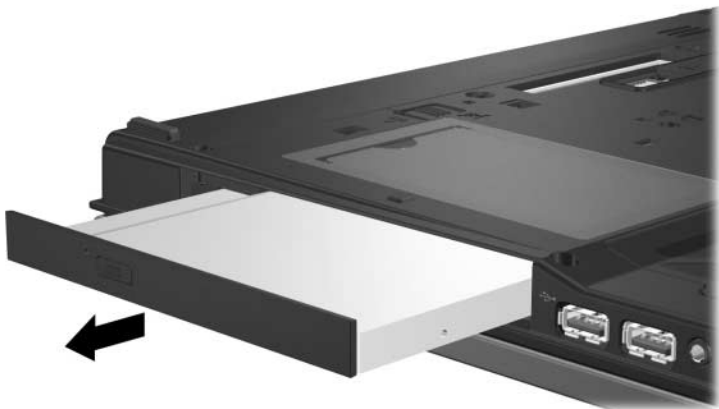
2. Disconnect all external devices connected to the computer.
3. Disconnect the power cord.
4. Turn the computer upside down on a flat surface.
5. Remove the battery from the computer.
6. Remove the optical drive security screw.



7. Insert the end of a screwdriver into the optical drive release latch and press gently until the optical drive is released.



8. Remove the optical drive from the optical drive bay.



To insert an optical drive:

1. Insert the optical drive into the optical drive bay.



2. Replace the optical drive security screw.



3. Replace the battery.
4. Reconnect external power and external devices.
5. Turn on the computer.

A

airport security devices 1–2

D

drives

- affected by airport security

 - 1–2

- avoiding Sleep and

 - Hibernation when using

 - discs 4–6

H

hard drive, affected by airport security 1–2

Hibernation, avoiding when using discs 4–6

S

Sleep, avoiding when using discs 4–6

© Copyright 2007 Hewlett-Packard Development Company, L.P.

The information contained herein is subject to change without notice. The only warranties for HP products and services are set forth in the express warranty statements accompanying such products and services. Nothing herein should be construed as constituting an additional warranty. HP shall not be liable for technical or editorial errors or omissions contained herein.

Drives

First Edition: January 2007

Document Part Number: 419424-001