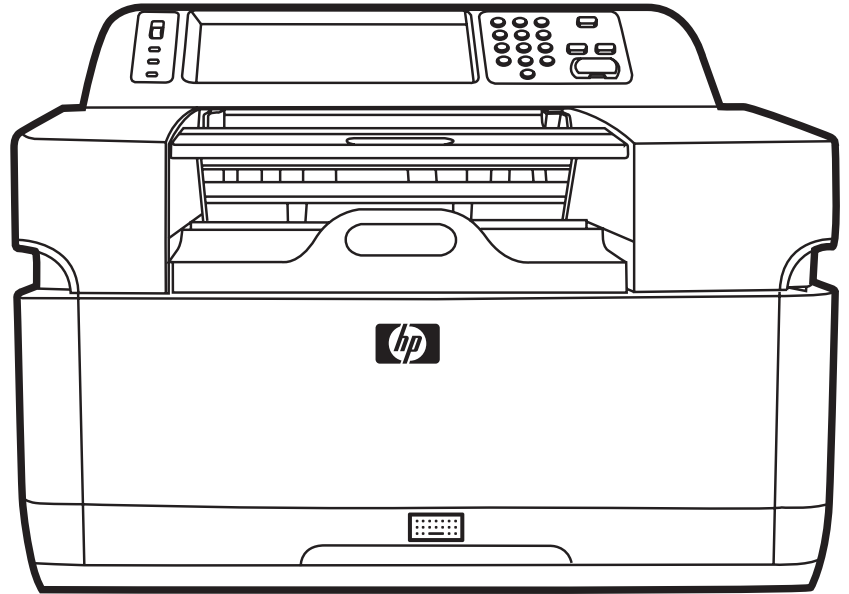


HP 9250C Digital Sender



Getting Started Guide

Кратко ръководство за потребителя

Stardijuhend

Οδηγός για τα πρώτα βήματα

Алғашқы іске қосу жөніндегі нұсқаулық

Lietošanas pamācība

Darbo pradžios vadovas

Посібник користувача

מדריך לתחילת העבודה

Copyright and License

© 2007 Copyright Hewlett-Packard Development Company, LP

Reproduction, adaptation, or translation without prior written permission is prohibited, except as allowed under the copyright laws.

The information contained in this document is subject to change without notice.

The only warranties for HP products and services are set forth in the express warranty statements accompanying such products and services. Nothing herein should be construed as constituting an additional warranty. HP shall not be liable for technical or editorial errors or omissions contained herein.

CB472-90948

Edition 1, 6/2007

FCC Regulations

This equipment has been tested and found to comply with the limits for a Class B digital device, pursuant to Part 15 of the FCC rules. These limits are designed to provide reasonable protection against harmful interference in a residential installation. This equipment generates, uses, and can radiate radio frequency energy. If this equipment is not installed and used in accordance with the instructions, it can cause harmful interference to radio communications. However, there is no guarantee that interference will not occur in a particular installation; the presence of interference can be determined by turning the equipment off and on.

If this equipment does cause harmful interference to radio or television communications, the user is encouraged to try to correct the interference by one or more of the following measures: Reorient or relocate the receiving antenna; increase distance between equipment and receiver; connect equipment to an outlet on a circuit different from that to which the receiver is located; or consult your dealer or an experienced radio/television technician.

Note: Any changes or modifications to the device that are not expressly approved by HP could void the user's authority to operate this equipment

Trademark Credits

Microsoft® and Windows® are U.S. registered trademarks of Microsoft Corporation.

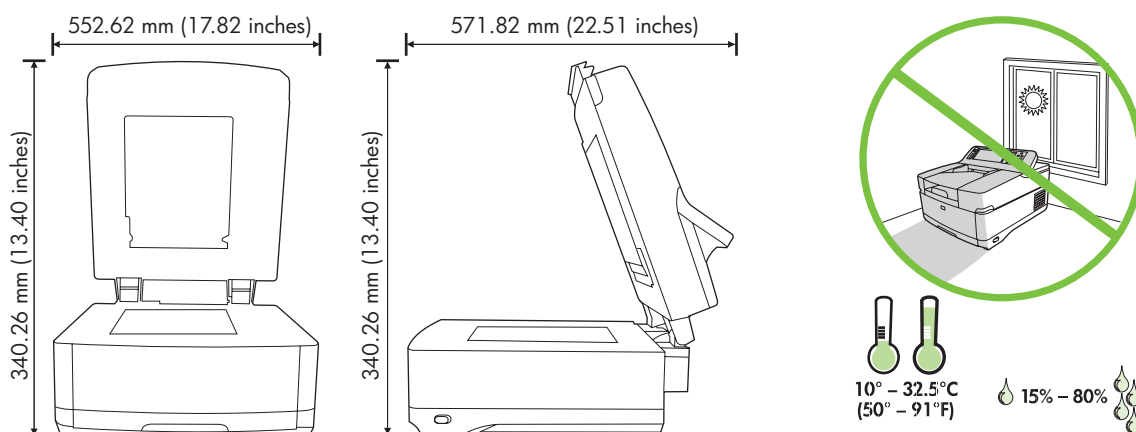
Pentium® is a registered trademark of Intel Corporation or its subsidiaries in the United States and other countries.

Install and Setup the Device

Installation environment

Prepare the site

Select a well-ventilated, dust-free area to install the device. Place the device on a sturdy surface.



System requirements

To install the HP 9250C Digital Sender, the computer system must have the following features:

- Fast Ethernet 100Base-TX or Ethernet 10Base-T
- Access to an SMTP e-mail gateway

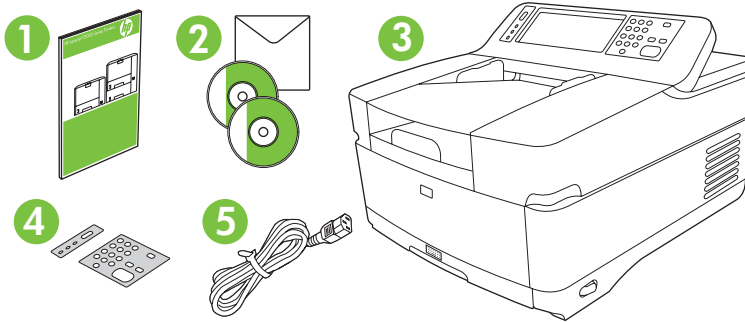


NOTE HP *highly recommends* establishing SMTP gateway on your own local area network. However, the device can be configured for e-mail functionality even if mail services are provided by an outside Internet service provider (ISP) over a digital subscription line (DSL).

Device components

Unpack the device

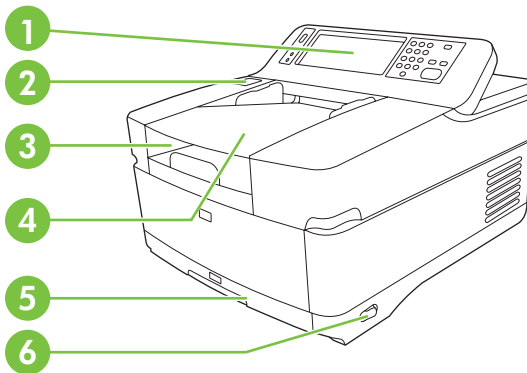
Remove all shipping bags, tape, and packing material.



1	Getting started guide
2	Digital sender documentation and HP DSS optional software
3	Digital sender
4	Control panel overlays (if included)
5	Power cord

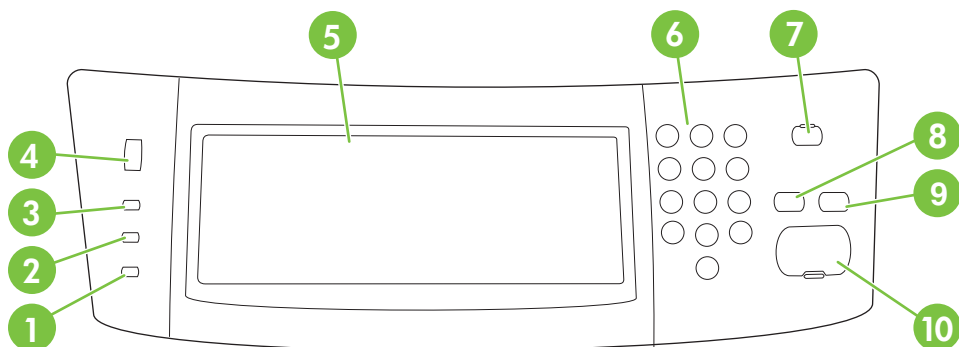
Identify device parts

Front of device



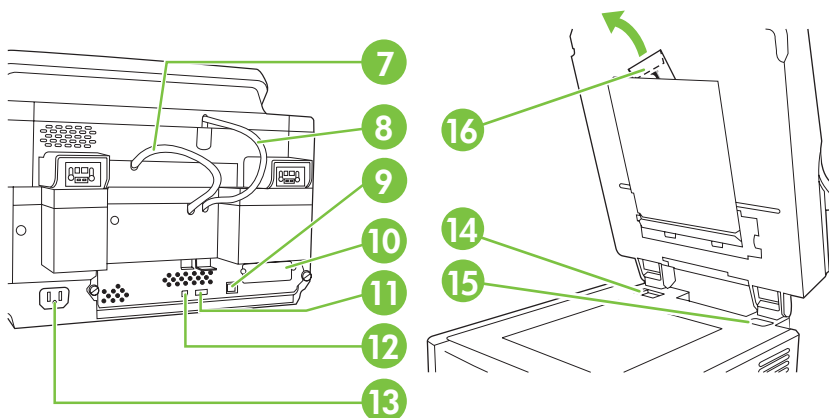
1. Control panel	4. ADF input tray
2. Jam release	5. Keyboard (pull to open)
3. Output bin	6. On/off switch

Control Panel



- | | |
|----------------------------------|-------------------|
| 1. Attention light | 6. Numeric keypad |
| 2. Data light | 7. Sleep button |
| 3. Ready light | 8. Reset button |
| 4. Brightness-adjustment dial | 9. Stop button |
| 5. Touchscreen graphical display | 10. Start button |

Back of device, lock, and serial number



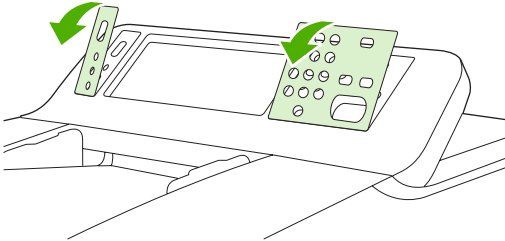
- | | |
|---|---|
| 7. ADF cable | 12. USB device port (if needed for firmware upgrades) |
| 8. Control-panel cable | 13. Power connector |
| 9. 10/100Base-T network port | 14. Scanner lock |
| 10. EIO port | 15. Serial number |
| 11. USB host port (for third-party accessories) | 16. Extra mylar sheets |

Starting up

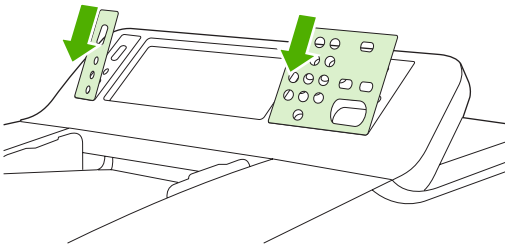
Changing the control panel overlays

Use the following procedure to change the control-panel overlay, if needed.

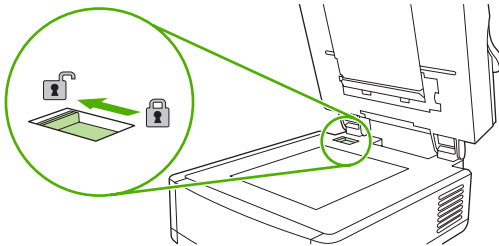
1. Insert a small, flat-blade tool in the slot at the top edge. Lift the top and pull it off the control panel.



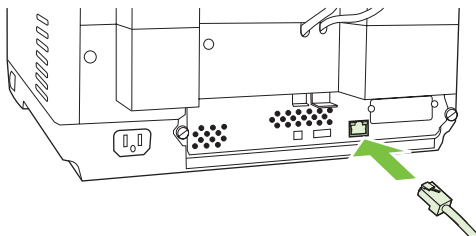
2. Place the overlay to align correctly with the buttons. Slide the bottom edge down first and snap it onto the control panel.



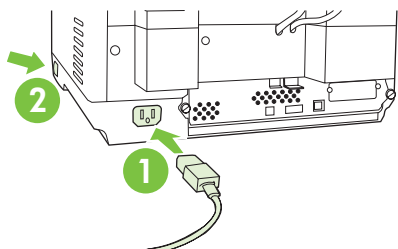
Unlock the scanner



Connect the network cable



Connect the power cord



1. Connect the power cord to the device and outlet.
2. Turn on the power switch and follow the prompts on the control panel.

Configure the control-panel settings

Basic default settings

Language settings

After the device warms up, the messages on the control panel appear in English. Change the language in one of two ways:

- Select the preferred language from the **Language** menu the first time the device is turned on. The language must be selected within 60 seconds after the menu appears.

or

- Change the language at any time from the **Administration** menu. First touch **Device Behavior**, touch **Language**, touch the preferred language, and then touch **Save**.

Date and time settings

Touch **Exit** if the date and time settings are correct. Touch **OK** to change these settings.

Assign the IP address

The device must be assigned a valid IP (Internet Protocol) address on the network. If the network uses dynamic host configuration protocol (DHCP), the IP address can be assigned automatically. DHCP is the default setting in the digital sender. Manually assign an IP address if DHCP is not being used.

Find the automatically assigned DHCP IP address

On the home screen, touch **Network Address**. The IP address appears on the Network Address screen.

If the **Network Address** button does not appear, find the IP address:

- Touch **Administration**, and then touch **Information**.
- Touch **Configuration/Status Pages**, and then touch **Configuration Page**.
- Touch **Show**. The digital-sender configuration information appears.
- Touch **OK** to see the Jetdirect data. Scroll through the information to find the IP address.

Manually assign an IP address

1. Touch **Administration**, and then touch **Initial Setup**.
2. Touch **Networking and I/O**, and then touch **Embedded Jetdirect**.
3. Touch **TCP/IP**, and then touch either **IPv4 Settings** (such as http://192.168.1.1) or **IPv6** (such as http://[2001:0ba0:0000.0000.0000.0000.0000:1234]).
4. Touch **Config Method**.
5. Touch **Manual**, and then touch **Save**.
6. Touch **Manual settings**.
7. Touch **IP address**. Touch the IP address field, and then type the IP address.
8. Touch **OK**.

Device configuration

Before configuring, have the following information:

- The host name or IP address of the simple mail transfer protocol (SMTP) e-mail server that will send e-mail from the digital sender
- The host name or IP address of the Lightweight Directory Access Protocol (LDAP) server that will retrieve e-mail addresses (optional)
- The preferred folder paths for the send-to-folder feature
- The host name or IP address of the digital sender

Use the following keys on the keyboard to help navigate through the configuration screens.

- Press the **Escape** key to return to the previous screen.
- Press the **Tab** key to move the cursor to the next field.

Install and configure Embedded Web Server (EWS)

Install and configure EWS to access the following features:

-
- | | |
|--------------|--------------------------------------|
| • E-mail | • Kerberos authentication |
| • Folder | • LDAP authentication |
| • Addressing | • Group 1/Group 2 PIN authentication |
-

1. Open a web browser and type the device IP address.
2. Select the **Digital Sending** tab and complete the **General Settings** information.
3. Select **E-mail Settings** and then type the SMTP server address.

If you are using an Internet Service Provider (ISP) for Internet access and e-mail you might need to contact your ISP to obtain the SMTP server name, and to determine if you need to enter an account name and password for SMTP authentication.

4. Select **E-mail Address Book** to enter frequently-used e-mail addresses and e-mail distribution lists. The **Fax Address Book** and **Fax Speed Dials** are located in the left navigation area.
5. Select **Send To Folder** to set up one or more folder destinations for scanned documents.

Install and configure digital sending software (DSS)

Install and configure digital sending software (optional) to access the following features:

-
- | | |
|------------|--------------------------|
| • Workflow | • Windows authentication |
| • OCR | • Lanfax authentication |
| • Lanfax | • Netware authentication |
-



Tip If a previous version of HP DSS is already installed, save time by copying settings with the **copy settings** feature in the **MFP configuration** tab when installing the newer device.

The digital sender must be on and connected to the network in order to successfully complete the software installation process.

Install the software on the server that will be supporting the HP Digital Sending Software (HP DSS) service. After installation, the HP DSS runs in the background as a service, starting automatically whenever the server is restarted.

Verify the device installation

Test the installation and configuration using the **E-Mail** and **Network Folder** options on the control-panel display.

1. Place a document face-up in the ADF or face-down on the flatbed glass.
2. Touch **E-Mail**.
3. Type the user name and password, if prompted.

4. If not prompted to log in, touch **From:** and then type an e-mail address.
5. Touch **To:** and then type the same e-mail address.
6. Touch **OK** and then press **Start**. The device scans the document and sends it to you as an e-mail attachment.
7. Repeat this process using the **Network Folder** option, and verify that the file is sent to the correct folder.

A successful test shows that the device will scan and send documents to the configured e-mail address or folder.

If the device does not send the file correctly, verify the device installation and configuration.

Where to look for more information

Feature	Description	For more information
Scan to E-mail	Scan a document and send it to any e-mail address	EWS user guide
Scan to Folder	Scan a document to one or more network folders	
Address Book for E-mail and Fax	Enter names, e-mail addresses, and fax numbers	
User PIN Authentication	Requires authorization to use device	
LDAP Addressing	Search an LDAP directory for names and e-mail addresses	
LDAP Authentication		
Kerberos Authentication	Require user authentication to use specific features	
DSS LANFax	Route fax jobs via an existing LANFax infrastructure	DSS support guide
DSS Send to Folder	Scan a document to one or more network folders.	
DSS Workflow	Capture information about scanned documents; route documents to other applications	
DSS Windows Negotiated Authentication		
DSS LDAP Authentication	Requires user authentication to use specific features	

Troubleshooting and customer support

Troubleshooting

Problem	Action to take
The digital sender will not scan and is unable to complete the job. A Please try again error message is displayed.	<ul style="list-style-type: none"> The scanner head lock is still in the locked position. Switch it to the unlocked position. See Unlock the scanner.
The Find Servers button on the E-Mail Settings screen did not find any servers.	<ul style="list-style-type: none"> Verify that you have a functioning SMTP server on the network. Click the Add... button on the E-Mail Settings screen and type the host name or IP address of the SMTP server. After typing the address, click the Test button to verify that the software can contact the server. If testing the server is unsuccessful, contact the network administrator to help troubleshoot the communication with the server. If you have any other digital senders or MFPs that are using the HP DSS service, use the Copy Settings button on the MFP Configuration tab of the HP MFP DSS Configuration Utility to copy the settings from a device that is functioning correctly, and then use the Paste Settings button to apply those settings to the digital sender.
The Find Servers button on the Authentication Settings screen did not find any servers.	<ul style="list-style-type: none"> Verify that there is a functioning LDAP server on the network. Type the host name or IP address of the LDAP server into the LDAP Server text box. After typing in the address, touch Find Settings to retrieve the server settings. Then touch Test to verify that the software can contact the server. If testing the server is unsuccessful, contact the network administrator to help troubleshoot the communication with the server. If there are any other digital senders or MFPs that are using the HP DSS service, use the Copy Settings button on the MFP Configuration tab of the HP MFP DSS Configuration Utility to copy the settings from a device that is functioning correctly, and then use the Paste Settings button to apply those settings to the digital sender.
The digital sender is not working.	<ul style="list-style-type: none"> Verify that the power cord is securely connected to the device and that it is plugged into the power outlet. Verify that the device is turned on. Clear any error messages on the control-panel display. Verify that the network cable is securely connected to the device. Verify that one of the two green LEDs just above the device network port is on.
Scanned pages are blank or have repeated patterns.	<ul style="list-style-type: none"> Verify that a page is not already located on the glass.
The image quality is poor.	<ul style="list-style-type: none"> Verify that the document that you are trying to send is placed correctly in the ADF (face-up) or on the glass (face-down). Try changing some of the scan settings, where possible, such as resolution or file type, to improve the image quality.
The ADF feeds multiple sheets, skews sheets, or jams frequently.	<ul style="list-style-type: none"> Adjust the guides so that they are snug against the stack but do not bend the stack. Verify that the ADF input tray or output bin is not overloaded. Each tray can hold a maximum of 50 pages, but this capacity may be lower when using certain types of media. Verify that the paper is stacked square and straight in the ADF.

Problem	Action to take
	<ul style="list-style-type: none"> • If the original was previously stapled or three-hole-punched, make sure the pages are not stuck together. • Verify that the type of media that is being loaded meets the required specifications. See the <i>HP 9250C Digital Sender User Guide</i> for media specifications.
An e-mail transmission did not arrive at the destination e-mail address.	<ul style="list-style-type: none"> • If the e-mail address was manually typed, resend the e-mail message. Re-enter the e-mail address, and verify that the correct format has been used (no spaces, the required @ sign, the required period) in both the To: and From: text boxes. • Resend the e-mail. Type the name in the correct format in the From: field so that the message is not rejected and so that you receive a message back if the e-mail transmission fails. • Have the network administrator verify that SMTP Relay is enabled on the mail server in order to allow sending to e-mail addresses outside of your company. • Have the network administrator verify that the SMTP server is functioning.
A document that you sent to a folder did not arrive at the destination folder.	<ul style="list-style-type: none"> • Resend the document. • Verify whether the file name might have been modified to resolve a duplicate-file-name error.
The bottom of a page that you sent is cut off.	<ul style="list-style-type: none"> • If the document was sent from the glass, the document page might be too long. The maximum length for documents scanned from the glass is A4, or 210 x 297 mm (8.27 x 11.69 inches).
The control panel is using the wrong language.	<ul style="list-style-type: none"> • Use the control-panel menu to set the correct language. See Language settings.

Customer support

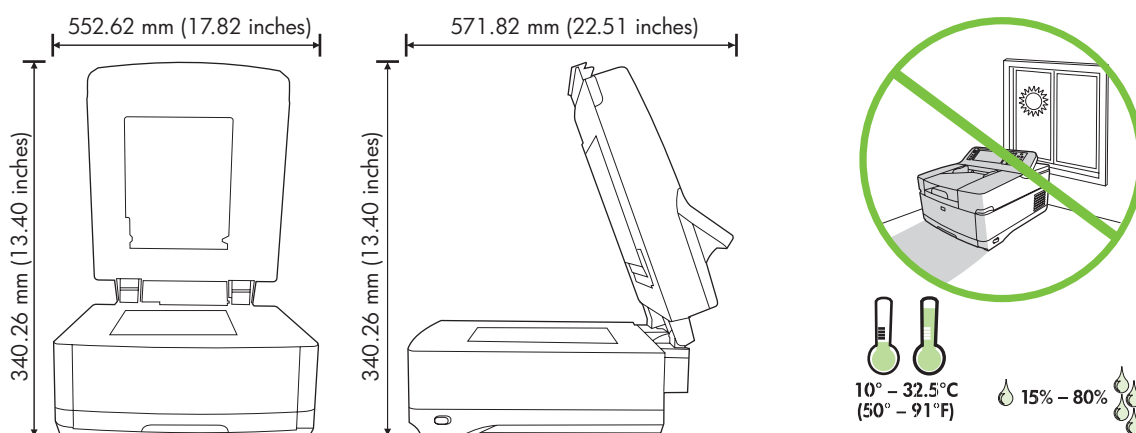
See the *HP 9250C Digital Sender User Guide* on the CD-ROM. For HP Customer Care information, see the support flyer that came with the device, or go to www.hp.com/support/9250c.

Инсталиране и настройка на устройството

Среда на инсталация

Подготвяне на мястото

Изберете добре вентилирано и незапращено място, където да инсталирате устройството. Поставете устройството върху твърда повърхност.



Изисквания към системата

За да инсталирате HP 9250C Digital Sender, компютърът ви трябва да притежава следните компоненти:

- Fast Ethernet 100Base-TX или Ethernet 10Base-T
- Достъп до SMTP e-mail шлюз

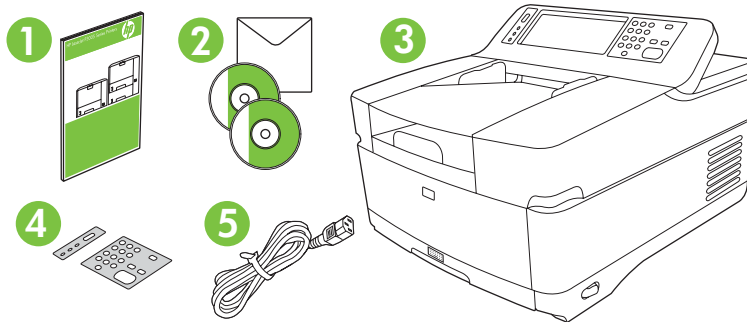


Забележка HP *набляга особено на установяването на SMTP шлюз на вашата локална мрежа. Все пак, устройството може да се конфигурира за e-mail функционалност дори и ако пощенските обслужвания се осигуряват от външен доставчик на Интернет (ISP) по цифрова абонатна линия (DSL).*

Компоненти на устройството

Разпакетиране на устройството

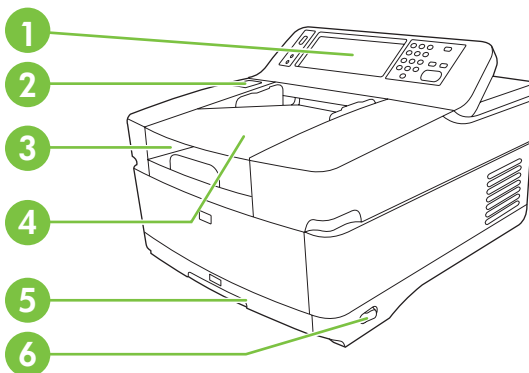
Отстранете всички транспортни торби, ленти и опаковъчен материал.



1	Кратко ръководство за потребителя
2	Документация за цифровото изпращащо устройство и опционалния софтуер HP DSS
3	Цифрово изпращащо устройство
4	Облицовки за контролния панел (ако са включени)
5	Захранващ кабел

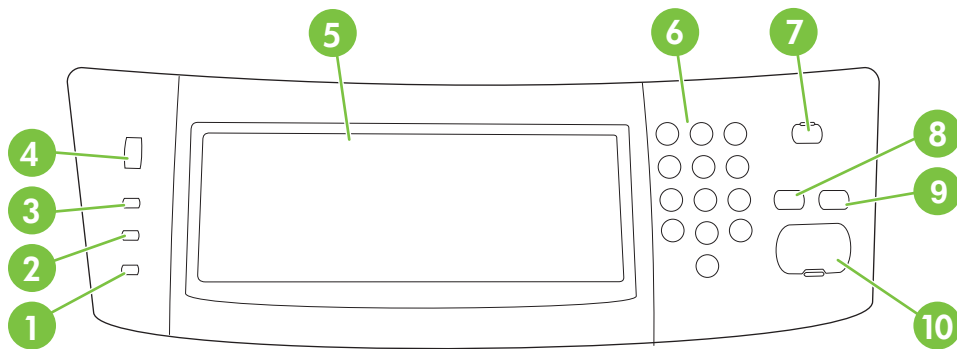
Идентифициране на частите на устройството

Предна част на устройството



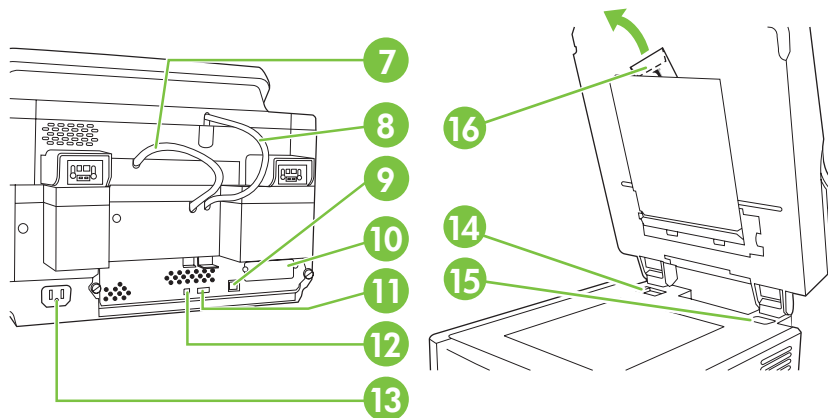
- | | |
|---|--|
| 1. Контролен панел | 4. Входна тава на автоматичното документоподаващо устройство |
| 2. Освобождаване на задръстване от хартия | 5. Клавиатура (издърпайте, за да я отворите) |
| 3. Изходяща тава | 6. Ключ "Вкл/Изкл" |

Контролен панел



- | | |
|-----------------------------------|---|
| 1. Лампичка Внимание | 6. Цифров клавиатурен блок |
| 2. Лампичка Данни | 7. Бутон Спящ Режим |
| 3. Лампичка Готовност | 8. Бутон Възстановяване на първоначалните настройки |
| 4. Бутон за настройка на яркостта | 9. Бутон Стоп |
| 5. Сензорен графичен дисплей | 10. Бутон Старт |

Задна част на устройството, ключалка и сериен номер



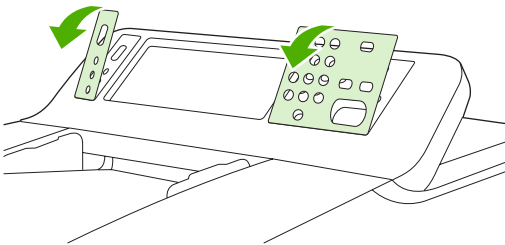
- | | |
|--|---|
| 7. Кабел за автоматичното документоподаващо устройство | 12. USB порт за устройства (в случай на необходимост от надстройка на фърмуера) |
| 8. Кабел за контролния панел | 13. Захранващ конектор |
| 9. 10/100Base-T мрежов порт | 14. Блокираща ключалка на скенера |
| 10. EIO порт | 15. Сериен номер |
| 11. USB хост порт (за принадлежност, производство на трети страни) | 16. Допълнителни майларови листове |

Пускане в действие

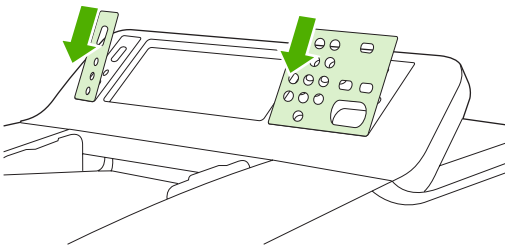
Смяна на облицовките на контролния панел

Използвайте следната процедура за смяна на облицовката на контролния панел, ако е необходимо.

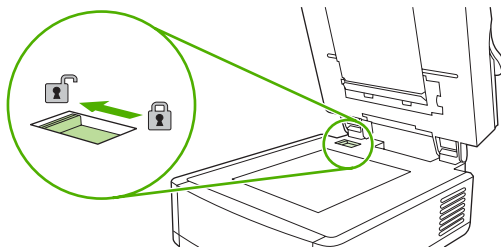
1. Вмъкнете дребен инструмент с плоско острие в прореза на горния ръб. Повдигнете горната част и я отделете от контролния панел



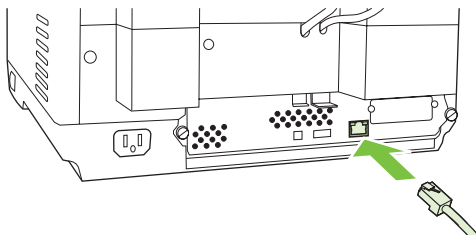
2. Нагласете облицовката така, че да се подравни с бутоните. Плъзнете надолу първо долния ръб и го фиксирайте върху контролния панел.



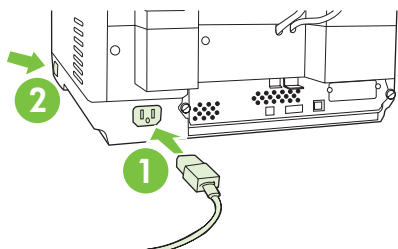
Разблокиране на скенера



Свързване на мрежовия кабел



Свързване на захранващия кабел



1. Свържете захранващия кабел към устройството и контакта.
2. Включете уреда чрез захранващия ключ и следвайте указанията върху контролния панел.

Конфигуриране на настройките на контролния панел

Основни настройки по подразбиране

Езикови настройки

След като устройството се подгрее, съобщенията върху контролния панел излизат на английски език. Променете езика по един от двата начина:

- Изберете предпочитания език от менюто **Език** при първото включване на устройството. Езикът трябва да се зададе в рамките на 60 секунди след появяването на менюто.

или

- Променете езика във всеки един момент от менюто **Администриране**. Първо изберете **Поведение на устройството**, изберете **Език**, изберете предпочитания език и след това изберете **Записване**.

Настройки за датата и часа

Изберете **Изход**, ако датата и часът са правилни. Изберете **ОК**, за да промените тези настройки.

Задаване на IP адрес

На устройството трябва да се зададе валиден IP (Internet Protocol) адрес в мрежата. Ако мрежата използва динамичен протокол за конфигуриране на хоста (DHCP), IP-адресът може да се зададе автоматично. DHCP представлява настройката по подразбиране на цифровото изпращащо устройство. Задайте ръчно IP-адреса, ако DHCP не се използва.

Откриване на зададения автоматично от DHCP IP адрес

Върху първоначалния екран изберете **Мрежови Адрес**. IP-адресът се появява върху екрана Мрежови адрес.

Ако бутонът **Мрежови Адрес** не се появи, открийте IP адреса:

- Изберете **Администриране** и след това изберете **Информация**.
- Изберете **Страници Конфигуриране/Статус** и след това изберете **Страница за конфигуриране**.
- Изберете **Показване**. Появява се информацията за конфигурацията на устройството.
- Изберете **ОК**, за да видите данните за Jetdirect. Превъртете през информацията, за да откриете IP адреса.

Ръчно задаване на IP адрес

1. Изберете **Администриране** и след това изберете **Първоначална настройка**.
2. Изберете **Мрежа и I/O** и след това изберете **Вграден Jetdirect**.
3. Изберете **TCP/IP** и след това изберете или **Настройки на IPV4** (такива като http://192.168.1.1) или **IPV6** (такива като http://[2001:0ba0:0000.0000.0000.0000:1234]).
4. Изберете **Метод на конфигуриране**.

5. Изберете **Ръчно** и след това изберете **Записване**.
6. Изберете **Ръчни настройки**.
7. Изберете **IP адрес**. Изберете полето с IP адреса и след това въведете IP адреса.
8. Изберете **ОК**.

Конфигуриране на устройството

Преди конфигуриране пригответе си следната информация:

- Името на хоста или IP адресът на пощенския SMTP сървър, който ще изпраща електронна поща от цифровото устройство
- Името на хоста или IP адреса на LDAP сървъра, който ще извлича електронните адреси (по избор)
- Пътищата до предпочитаната папка за функцията "изпрати-в-папка"
- Името на хоста или IP адресът на цифровото устройство за изпращане

Използвайте следните клавиши от клавиатурата, за да подпомогнете навигацията през конфигурационните екрани

- Натиснете клавиша **Escape**, за да се върнете към предишния екран.
- Натиснете клавиша **Tab**, за да преместите курсора в следващото поле.

Инсталиране и конфигуриране на вграден уебсървър (EWS)

Инсталирайте и конфигурирайте EWS, така че да имате достъп до следните функции:

- | | |
|-------------------|--------------------------------------|
| • Електронна поща | • Kerberos удостоверяване |
| • Папка | • LDAP удостоверяване |
| • Адресиране | • Група 1/Група 2 PIN удостоверяване |

1. Отворете уеб браузър и въведете IP адреса на устройството
2. Изберете раздела **Цифрово изпращане** и попълнете информацията **Общи настройки**.
3. Изберете **Настройки за електронната поща** и след това въведете адреса на SMTP сървъра.

Ако използвате доставчик за интернет-услуги (ISP) за достъп до интернет и електронна поща, може да ви се наложи да се свържете с вашия доставчик на интернет, за да получите името на SMTP сървъра, и за да решите дали се нуждаете от въвеждане на име на акаунт и парола за SMTP удостоверяването.

4. Изберете **Указател за електронните адреси**, за да въведете често използвани електронни адреси и списъци за разпращане на съобщения по електронната поща. **Указател с факс-номера** и **Скоростни набирания на факс-номера** се намират в лявата навигационна област.
5. Изберете **Изпрати в папка**, за да зададете една или повече крайни папки за сканираните документи.

Инсталиране и конфигуриране на софтуер за цифрово изпращане (DSS)

Инсталиране и конфигуриране на софтуер за цифрово изпращане (по избор) за достъп до следните функции:

-
- Работен поток
 - OCR (Оптично разпознаване на текст)
 - Lanfax
 - Удостоверяване на Windows
 - Lanfax удостоверяване
 - Netware удостоверяване
-



Съвет Ако дадена предишна версия на HP DSS е вече инсталирана, спестете време, като копирате настройките с функцията **копиране настройки** в раздела **Конфигуриране на MFP** когато инсталирате по-новото устройство.

Устройството за цифрово изпращане трябва да е включено и свързано към мрежата, за да завършите успешно процеса на инсталиране на софтуера.

Инсталирайте софтуера на сървъра, който ще поддържа услугата Софтуер на HP за цифрово изпращане (HP DSS). След инсталацията HP DSS работи във фонов режим като услуга, стартирайки автоматично всеки път при рестартиране на сървъра.

Проверка на инсталацията на устройството

Тествайте инсталацията и конфигурацията, като използвате опциите **Електронна поща** и **Мрежова папка** на дисплея на контролния панел.

1. Поставете даден документ с лицето нагоре в автоматичното документоподаващо устройство или с лицето надолу върху стъклото на скенера.
2. Изберете **Електронна поща**.
3. Въведете името на потребителя и паролата, ако бъдете подсетени.
4. Ако не бъдете подсетени да се включите, изберете **От:** и след това въведете електронен адрес.
5. Изберете **До:** и след това въведете същия електронен адрес.
6. Изберете **ОК** и след това натиснете **Старт**. Устройството сканира документа и ви го изпраща като прикачен файл към писмото.
7. Повторете този процес, като използвате опцията **Мрежова папка** и проверете дали файлът е изпратен в правилната папка.

Един успешен тест показва, че устройството ще сканира и изпраща документи към конфигурираните електронен адрес или папка.

Ако устройството не изпраща правилно файла, проверете инсталирането и конфигурацията на устройството.

Къде да търсите повече информация

Функция	Описание	За повече информация
Сканиране към електронен адрес	Сканиране на документ и изпращането му до който и да е електронен адрес	Ръководство за потребителя на EWS
Сканиране към папка	Сканиране на документ към една или повече мрежови папки	
Указател за електронни адреси и факс-номера	Въвеждане на имена, електронни адреси и факс-номера	
Удостоверяване на потребителски PIN	Изисква упълномощаване за използване на устройството	
LDAP адресиране	Претърсване на LDAP директорията за имена и електронни адреси	
LDAP удостоверяване		
Kerberos удостоверяване	Изискване на удостоверяване на потребителя за използване на специфични функции	
DSS LANFax	Маршрутизира изпращанията на факс-съобщенията посредством съществуваща LANFax инфраструктура	Ръководство за поддръжка на DSS
DSS изпращане в папка	Сканиране на документ към една или повече мрежови папки	
DSS Работен поток	Захваща информация и сканирани документи; маршрутизира документи към други приложения	
DSS Windows договорено удостоверяване		
DSS LDAP удостоверяване	Изисква удостоверяване на потребителя за използването на специфични функции	

Откриване и отстраняване на проблеми и поддръжка на потребителите

Отстраняване на проблеми

Проблем	Действие, което трябва да се предприеме
Цифровото устройство за изпращане няма да сканира и няма да може да приключи работата. Показва се съобщение за грешка Моля, опитайте отново .	<ul style="list-style-type: none">• Блокиращият механизъм за главата на скенера все още е в заключено положение. Превключете го на отключено положение. Вж. Разблокиране на скенера.
Бутонът Откриване на сървъри на екрана с настройките на електронната поща не е открил никакви сървъри.	<ul style="list-style-type: none">• Проверете дали имате функциониращ SMTP сървър в мрежата.• Щракнете върху бутона Добави... върху екрана Настройки на електронната поща и въведете името на хоста или IP адреса на SMTP сървъра. След въвеждане на адреса щракнете върху бутона Тестване, за да проверите дали софтуерът може да се свърже със сървъра.• Ако тестването на сървъра е неуспешно, свържете се с мрежовия администратор, за да подпомогнете откриването и отстраняването на проблема с комуникацията със сървъра.• Ако имате всякакви други цифрови изпращащи устройства или MFP, които използват услугата HP DSS, използвайте бутона Копиране настройки в раздела Конфигуриране на MFP на помощната програма за конфигуриране HP MFP DSS, за да копирате настройките от устройство, което функционира правилно, и след това използвайте Вмъкване настройки, за да приложите тези настройки върху цифровото изпращащо устройство.
Бутонът Откриване на сървъри на екрана с настройките на удостоверяването не е открил никакви сървъри.	<ul style="list-style-type: none">• Проверете дали в мрежата има функциониращ LDAP сървър.• Въведете името на хоста или IP адреса на LDAP сървъра в кутийката за текст LDAP сървър. След въвеждането на адреса, изберете Откриване на настройки, за да извлечете настройките на сървъра. След това изберете Тестване, за да проверите дали софтуерът може да се свързва със сървъра.• Ако тестването на сървъра е неуспешно, свържете се с мрежовия администратор, за да подпомогнете откриването и отстраняването на проблема с комуникацията със сървъра.• Ако няма други цифрови изпращащи устройства или MFP, използващи услугата HP DSS, използвайте бутона Копиране настройки в раздела Конфигуриране на MFP на помощната програма за конфигуриране на MFP DSS, за да копирате настройките от устройство, което функционира правилно, и след това използвайте бутона Вмъкване настройки, за да приложите тези настройки върху цифровото изпращащо устройство.
Цифровото изпращащо устройство не работи.	<ul style="list-style-type: none">• Проверете дали захранващият кабел е свързан стабилно към устройството и дали е включен в захранващия контакт.• Проверете дали устройството е включено.• Изчистете всякакви съобщения за грешка от екрана на контролния панел.• Проверете дали мрежовия кабел е стабилно свързан към устройството.• Проверете дали един от двата зелени светодиода точно над мрежовия порт на устройството свети.
Сканираните страници са бели или имат повтарящи се шарки.	<ul style="list-style-type: none">• Проверете дали дадена страница вече не е поставена върху стъклото.

Проблем	Действие, което трябва да се предприеме
Качеството на изображението е лошо.	<ul style="list-style-type: none"> Проверете дали документът, който се опитвате да изпратите, е поставен правилно в автоматичното документоподаващо устройство (с лицето нагоре) или върху стъклото (с лицето надолу). Опитайте се да промените някои от настройките на сканирането, където е възможно, такива като разделителна способност или тип на файла, за да подобрите качеството на изображението.
Автоматичното документоподаващо устройство често подава по няколко листа едновременно, преобръща страници или се задръства.	<ul style="list-style-type: none"> Регулирайте водачите, така че да обхващат снопа хартия, но без да го деформират. Проверете дали входната или изходящата тава на автоматичното документоподаващо устройство не е претоварена. Всяка тава може да съдържа максимум 50 страници, но този капацитет може да бъде по-нисък когато се използват определени типове носители. Проверете дали хартията в автоматичното документоподаващо устройство е подредена правилно. Ако оригиналът преди това е бил захващан с кламери или е бил продупчван, уверете се, че страниците не са прилепнали една към друга. Проверете дали зареденият тип носител отговаря на нужните спецификации. Вж. <i>HP 9250C Digital Sender User Guide</i> (Ръководство за потребителя на цифровото изпращащо устройство HP 9250C) за спецификациите на носителя.
Дадена изпратена поща не е пристигнала на назначения електронен адрес.	<ul style="list-style-type: none"> Ако електронният адрес е бил въведен ръчно, изпратете повторно електронното съобщение. Въведете повторно електронния адрес и проверете дали е била използван правилния формат (без празни интервали, изисквания знак @, изискваната точка) и в До: и От: текстовите кутийки. Изпратете повторно електронната поща. Въведете името в правилния формат в полето От:, така че съобщението да не бъде отхвърлено и вие да можете да получите съобщение обратно, ако предаването на писмото е неуспешно. Разпоредете на мрежовия администратор да провери дали SMTP Relay е активиран на пощенския сървър, за да позволите изпращане до електронни адреси извън компанията ви. Наредете на мрежовия администратор да провери дали SMTP сървърът работи.
Даден документ, който сте изпратили в дадена папка, не е пристигнал в предназначенията папка.	<ul style="list-style-type: none"> Изпратете повторно документа. Проверете дали името на файла не е било променено, за да разрешите грешката с дублирането на името на файла.
Долната част на страницата, която сте изпратили, е отрязана.	<ul style="list-style-type: none"> Ако документът е бил изпратен от стъклото, страницата на документа може да е била прекалено дълга. Максималната дължина на документите, сканирани от стъклото, е A4 или 210 x 297 mm (8.27 x 11.69 инча).
Контролният панел използва неправилен език.	<ul style="list-style-type: none"> Използвайте менюто на контролния панел, за да зададете правилния език. Вж. Езикови настройки.

Поддръжка на потребителя

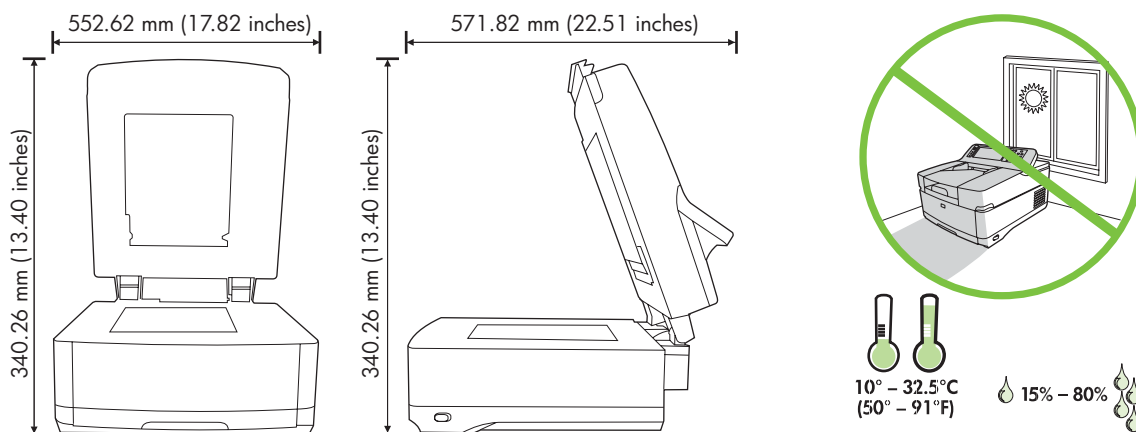
Вж. *HP 9250C Digital Sender User Guide* (Ръководство за потребителя на цифровото изпращащо устройство HP 9250C) върху компакт-диска. За информация относно HP Customer Care (Поддръжка на потребителя) вижте брошурата с поддръжката, доставяна с устройството, или отидете на www.hp.com/support/9250c.

Seadme installimine ja seadistamine

Installimise keskkond

Seadke koht valmis

Leidke seadme installimiseks hästi ventileeritud ja tolmuvaba asukoht. Asetage seade tugevale pinnale.



Süsteemi nõudmised

HP digitaalse skanneri 9250C installimiseks peab arvutisüsteem olema järgnevate parameetritega:

- Kiire Ethernet 100Base-TX või Ethernet 10Base-T
- Ligipääs SMTP e-posti lüüsile

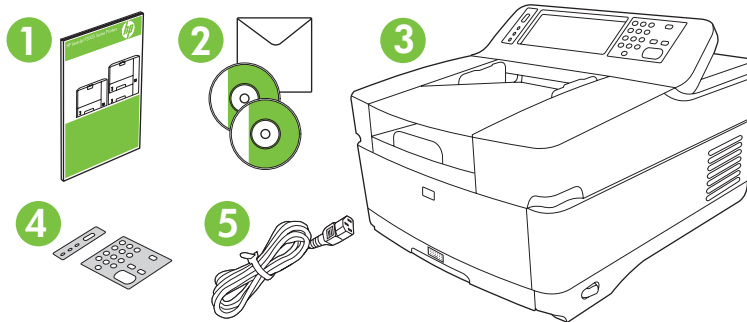


Märkus HP soovib tungivalt kohaliku arvutivõrgu SMTP lüüsi loomist. Kuid seadme võib konfigurida e-posti funktsionaalseks isegi siis, kui e-posti teenust pakutakse välise Interneti teenuse pakkuja (ISP) kaudu üle digitaalse tellimisliini (DSL).

Seadme komponendid

Pakkige seade lahti

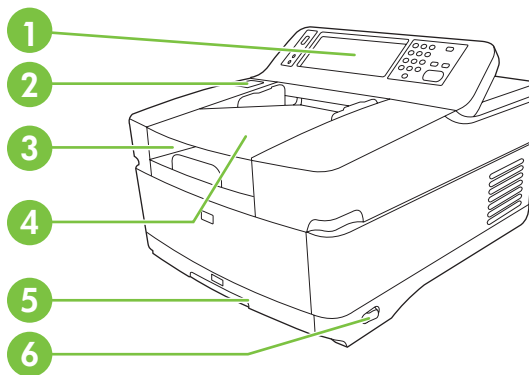
Eemaldage kõik transpordikotid, lindid ja pakkematerjal.



1	Kiirstartijuhend
2	Digitaalse skanneri dokumentatsioon ja HP DSS valikuline tarkvara
3	Digitaalne skanner
4	Juhtpaneeli ülekatted (kui on komplektis)
5	Toitejuhe

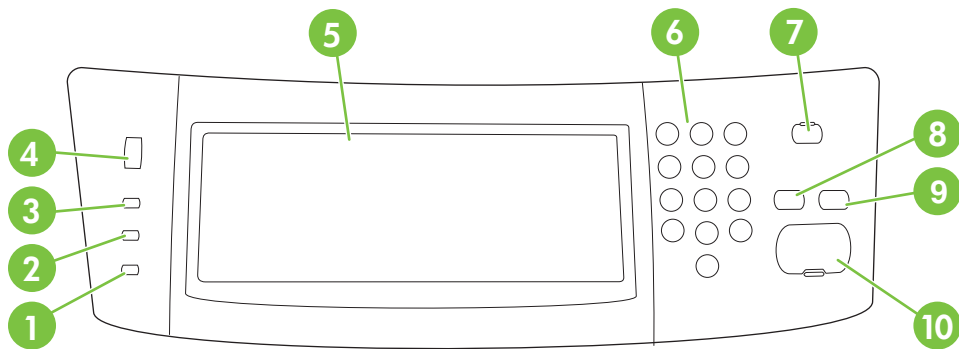
Tutvuge seadme osadega

Seadme esikülg



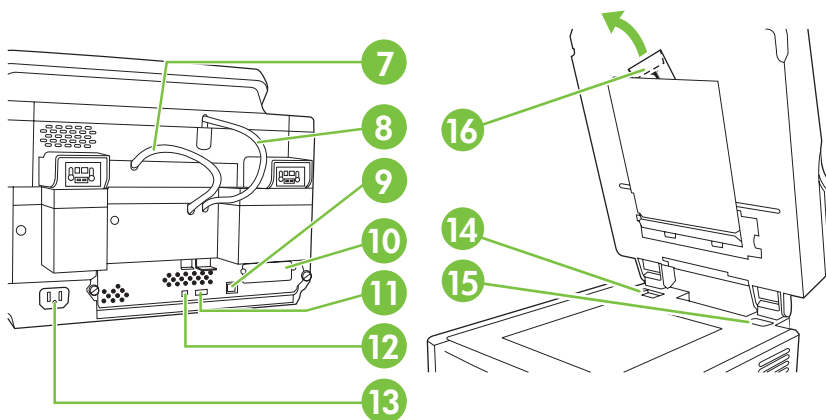
1. Juhtpaneel	4. ADF sisendkassett
2. Ummistuse vabastamine	5. Klaviatuur (avamiseks vajutage)
3. Väljundsalv	6. Sisse- ja väljalülitamisnupp

Juhtpaneel



- | | |
|-----------------------------------|------------------------|
| 1. Hoiatus tuli | 6. Numbrilised klahvid |
| 2. Andmete tuli | 7. Uinakunupp |
| 3. Valmis tuli | 8. Lähtestamisnupp |
| 4. Heleduse reguleerimisnupp | 9. Stopp nupp |
| 5. Puutetundlik graafiline ekraan | 10. Start nupp |

Seadme tagakülg, lukk ja seerianumber



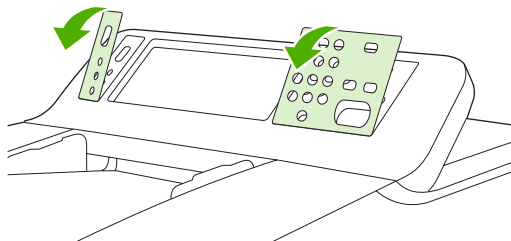
- | | |
|---|--|
| 7. ADF kaabel | 12. USB-seadme port (püsivara uuendamise korral) |
| 8. Juhtpaneeli kaabel | 13. Toitejuhtme pistikupesa |
| 9. 10/100Base-T võrguport | 14. Skanneri lukk |
| 10. EIO port | 15. Seerianumber |
| 11. USB-hosti port (kolmanda osapoolse lisaseadmed) | 16. Mylar-lehed |

Alustamine

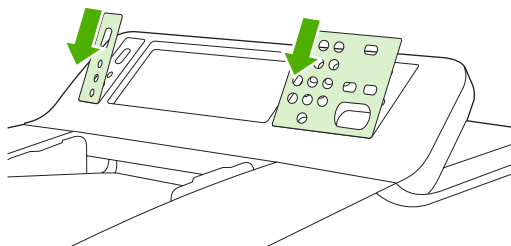
Juhtpaneeli ülekate vahetus

Juhtpaneeli ülekate vahetamiseks kasutage vajadusel järgnevat protseduuri.

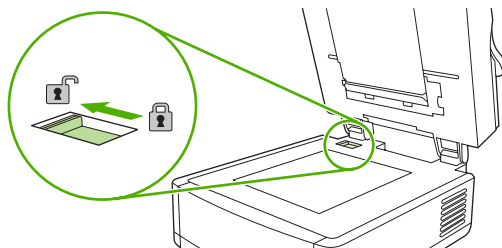
1. Pange väike lamedateraline tööriist ülemises ääres asuvasse pilusse. Tõstke ülemist äärt ning tõmmake ülekate juhtpaneelist eemale.



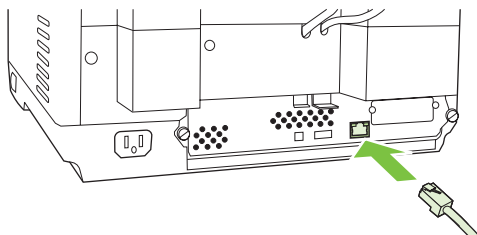
2. Asetage ülekate täpselt nuppudele. Libistage kõigepealt paigale ülekate alumine äär ning suruge see vastu juhtpaneeli.



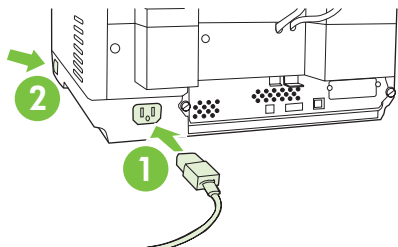
Avage skanner



Ühendage võrgujuhe



Ühendage toitekaabel



1. Ühendage toitekaabel seadme ja vooluvõrguga.
2. Lülitage seade sisse ning järgige juhtpaneelil olevaid käsklusi.

Konfigureerige juhtpaneeli seadistused

Peamised vaikeseaded

Keeleseaded

Pärast seadme soojenemist on juhtpaneelile ilmuvad sõnumid inglise keeles. Keelt saate muuta ühel alljärgneval viisil:

- Seadme esmakordsel sisselülitamisel valige eelistatud keel **Language** menüüst. Keel tuleb valida 60 sekundi jooksul pärast menüü ilmumist.

või

- Muutke keelt igal ajal **Administration (administreerimine)** menüüst. Valige kõigepealt **Device Behavior (seadme käitumine)**, seejärel valige **Language (keel)**, valige eelistatud keelt ning seejärel valige **Save**.

Kuupäeva ja aja seadistused

Kui kuupäeva ja aja seadistused on valed, valige **Exit (Välju)**. Nende seadistuste muutmiseks valige **OK**.

Määrake IP address

Seadmele tuleb määrata võrgus kehtiv IP (Internet Protocol) aadress. Kui arvutivõrk kasutab dünaamilist hosti konfigureerimisprotokoll (DHCP), siis määratakse IP aadress automaatselt. DHCP on digitaalse skanneri vaikesead. Kui ei kasutata DHCP protokoll, määrake IP aadress käsitsi.

Leidke automaatselt seatud DHCP IP aadress.

Valige lähtekuval **Network Address (võrgu aadress)**. IP aadress ilmub Network Address (võrgu aadress).

Kui **Network Address (võrgu aadress)** nupp ei ilmu, leidke IP aadress:

- Valige **Administration (administreerimine)** ning seejärel valige **Information (teave)**.
- Valige **Configuration/Status Pages (konfiguratsioon/oleku leheküljed)** ning seejärel valige **Configuration Page (konfiguratsiooni lehekülg)**.
- Valige **Show (näita)**. Ilmub digitaalse skanneri konfiguratsiooni teave.
- Jetdirect andmete vaatamiseks valige **OK**. IP aadressi leidmiseks kerige läbi esitatud teabe.

IP aadressi käsitsi määramine

1. Valige **Administration (administreerimine)** ning valige seejärel **Information (teave)**.
2. Valige **Networking and I/O (võrk ja I/O)** ning valige seejärel **Embedded Jetdirect (sisestatud Jetdirect)**.
3. Valige **TCP/IP** ja seejärel valige kas **IPv4 Settings (IPv4-seaded)** (näiteks http://192.168.1.1) või **IPv6** (näiteks http://[2001:0ba0:0000.0000.0000.0000:1234]).
4. Valige **Config Method (konfigureerimise meetod)**.

5. Valige **Manual (käsitsi)** ning valige seejärel **Save (salvesta)**.
6. Valige **Manual settings (käsitsi seadistused)**
7. Valige **IP address (IP address)**. Valige IP aadressiväli ning tippige seejärel IP aadress.
8. Valige **OK**.

Seadme konfiguratsioon

Enne konfigureerimist lugege järgnevat teavet:

- Hosti nimi või posti ülekande tavaprotokoll (SMTP) e-posti serveri IP aadress, mis saadab digitaalsest skannerist e-posti sõnumeid.
- Hostinimi või LDAP serveri IP aadress, mis otsib e-posti sõnumite aadresse (valikuline).
- Eeliskaustade rajad "saada kausta" funktsiooni tarbeks
- Digitaalse skanneri hosti nimi või IP aadress

Konfiguratsiooni ekraanil navigeerimiseks kasutage järgnevaid klaviatuuri klahve.

- Eelmisele kuvale tagasiliikumiseks vajutage **Escape (paoklahv)** klahvi.
- Kursori viimiseks järgmisele väljale vajutage **Tab (tabeldusklahv)** klahvi.

Installige ja konfigureerige EWS server.

Installige ja konfigureerige EWS jägnevatele funktsioonidele ligipääsuks:

-
- | | |
|------------------|-----------------------------------|
| • E-post | • Kerberos autentimine |
| • Kaust | • LDAP autentimine |
| • Adresseerimine | • Grupp 1/Grupp 2 PIN autentimine |
-

1. Avage veebibrauser ja tippige seadme IP aadress.
2. Valige **Digital Sending (digitaalne skaneerimine)** klahv ning täitke **General Settings (üldised seadistused)** teave.
3. Valige **E-mail Settings (e-posti seadistused)** ning tippige seejärel SMTP serveri aadress.

Märkus. Kui te saate Interneti-teenuse pakkuja käest nii Interneti ligipääsu kui ka elektronposti, peate võtma ühendust oma Interneti-teenuse pakkuja, et saada SMTP serveri nimi ja teha kindlaks, kas teil on vaja sisestada konto nimi ning salasõna SMTP autentimiseks.

4. Sagedamini kasutatavate e-posti aadresside ja e-posti jaotamisloendite sisestamiseks valige **E-mail Address Book (e-posti aadressiraamat)**, **Fax Address Book (faksi aadressiraamat)** ja **Fax Speed Dial (faksi kiirvalikud)** asuvad navigatsiooniala vasakul pool.
5. Skaneeritud dokumentidele ühe või mitme sihtkausta seadmiseks valige **Send To Folder (saada kausta)**.

Installige ja konfigureerige digitaalse skaneerimise tarkvara (DSS)

Installige ja konfigureerige digitaalse skaneerimise tarkvara jägnevatele funktsioonidele ligipääsuks:

-
- | | |
|-----------|------------------------|
| • Töövoog | • Windowsi autentimine |
| • OCR | • Lanfaxi autentimine |
| • Lanfax | • Netware autentimine |
-



Nõuanne. Kui eelmine HP DSS-i versioon on juba installitud, siis säästke aega ja kopeerige uue seadme installimiseks seaded funktsiooni **copy settings (kopeerimisseaded)** saki **MFP configuration (MPF-konfiguratsioon)** alt.

Tarkvara installimise protsessi edukaks teostamiseks peab digitaalne skanner olema võrku ühendatud.

Installige serverisse tarkvara, mis toetab HP digitaalset skaneerimist (HP DSS) teenindamist. Pärast installimist töötab HP DSS süsteemi taustal teenindusprogrammina, käivitudes automaatselt pärast serveri igakordset taaskäivitamist.

Kontrollige seadme installatsiooni

Testige installatsiooni ja konfiguratsiooni juhtpaneeli **E-Mail (e-posti)** ja **Network Folder (võrgu kaust)** valiku abil.

1. Asetage dokument ADF-i, esiküljega ülespoole, või skanneri klaasile, esiküljega allapoole.
2. Valige **E-Mail (e-post)**.
3. Nõudmisel sisestage kasutajanimi ja parool.
4. Kui ei nõuta sisselogimist, valige **From: (kellelt)** ning tippige seejärel e-posti aadress.
5. Valige **To: (kuhu)** ning tippige seejärel sama e-posti aadress.
6. Valige **OK** ning vajutage seejärel **Start**. Seade skaneerib dokumendi ning saadab selle teile e-posti manusena.
7. Korrake toimingut **Network Folder (võrgu kaust)** valiku abil ning veenduge, et fail on saadetud õigesse kausta.

Õnnestunud test näitab, et seade skaneerib ja saadab dokumendid konfigureeritud e-posti aadressile või kausta.

Kui seade ei saada faili korralikult, kontrollige, kas seade on õigesti installitud ja konfigureeritud.

Kuhu pöörduda lisateabe saamiseks

Funktsioon	Kirjeldus	Lisateaveks
Skaneerimine e-posti	Dokumentide skaneerimine ja saatmine mis tahes e-posti aadressile.	EWS kasutusjuhend
Skaneerimine kausta	Dokumendi skaneerimine ühte või mitmesse võrgukausta	
E-posti ja fakside aadressiraamat	Nimede, e-posti aadresside ja faksi numbrite sisestamine	
Kasutaja PIN-koodi autentimine	Seadme kasutamise autentimisnõue	
LDAP adresseerimine	LDAP kataloogis nimede ja e-posti aadresside otsing	
LDAP autentimine		
Kerberos autentimine	Spetsiaalsete funktsioonide kasutaja autentimisnõue	
DSS LANFax	Fakside suunamine läbi olemasoleva LANFax infrastruktuuri	DSS abijuhend
DSS saada kausta	Dokumendi skaneerimine ühte või mitmesse võrgukausta	
DSS töövoog	Skaneeritud dokumentidega seotud teabe kogumine; dokumentide suunamine teistesse rakendustesse	
DSS Windows Negotiated Authentication		
DSS LDAP autentimine	Spetsiaalsete funktsioonide kasutamise autentimisnõue	

Tõrkeotsing ja klienditugi

Tõrkeotsing

Probleem	Tegevused
Digitaalne skanner ei skaneeri ning ei ole võimeline ülesandeid lõpuni viima. A Kuvatakse veateade Palun proovige uuesti.	<ul style="list-style-type: none">Skanneripea lukk on suletud asendis. Lülitage see avatud asendisse. Vaadake Avage skanner.
Find Servers (leia serverid) nupp e-posti seadistuse kuval ei leia ühtegi serverit.	<ul style="list-style-type: none">Kontrollige SMTP võrguserveri töötamistKlõpsake Add...(lisa) nuppu E-Mail Settings (e-posti seadistused) kuval ning tippige hosti nimi või SMTP serveri IP aadress. Pärast aadressi tippimist klõpsake Test nuppu, et kontrollida tarkvara kontakteerumist serveriga.Kui serveri test ebaõnnestus, kontakteeruge serveri kommunikatsiooniprobleemi lahendamiseks võrgu administraatorigaKui teil on mõni muu HP DSS'i kasutatav digitaalne skanner või MFP, kasutage HP MFP DSS konfiguratsiooni utiliidi MFP Configuration (MFP konfiguratsioon) tabeli Copy Settings (kopeeri seadistused) nuppu, et kopeerida seadistused normaalselt töötavast seadmest, ning nende seadistuste saatmiseks digitaalsesse skannerisse kasutage seejärel Paste Settings (kleebi seadistused) nuppu.
Find Servers (leia serverid) nupp Authentication Settings (autentimise seadistuse) kuval ei leia ühtegi serverit.	<ul style="list-style-type: none">Kontrollige LDAP võrguserveri töötamistTippige hostinimi või LDAP serveri IP aadress LDAP Server (LDAP serveri) tekstiboksi. Pärast aadressi tippimist valige serveri seadistuste taastamiseks Find Settings (leia seadistused). Seejärel valige Test, et kontrollida tarkvara kontakteerumist serveriga.Kui serveri test ebaõnnestus, kontakteeruge serveri kommunikatsiooniprobleemi lahendamiseks võrgu administraatorigaKui teil on mõni muu HP DSS'i kasutatav digitaalne skanner või MFP, kasutage HP MFP DSS konfiguratsiooni utiliidi MFP Configuration (MFP konfiguratsioon) tabeli Copy Settings (kopeeri seadistused) nuppu, et kopeerida seadistused normaalselt töötavast seadmest, ning nende seadistuste saatmiseks digitaalsesse skannerisse kasutage seejärel Paste Settings (kleebi seadistused) nuppu.
Digitaalne skanner ei tööta.	<ul style="list-style-type: none">Kontrollige, et toitejuhe on kindlalt ühendatud seadmega ning et see on ühendatud voluvõrku.Kontrollige, kas seade on sisse lülitatud.Puhastage juhtpaneeli ekraan kõikidest veateadetest.Kontrollige, et võrgukaabel on kindlalt ühendamata seadmega.Kontrollige, et üks kahest seadme võrgupordi kohal olevast rohelisest LED lambist põleb.
Skaneeritud lehed on tühjad või on nendel korduvad kujundid.	<ul style="list-style-type: none">Kontrollige, et skanneri klaasil ei oleks dokumente.
Kujutise kvaliteet on madal.	<ul style="list-style-type: none">Kontrollige, et saadetakse dokument oleks ADF'i (esiküljega ülesse) või klaasile (esiküljega alla) õigesti paigutatud.Kujutise kvaliteedi parandamiseks üritage võimalusel muuta mõningaid skaneerimise seadistusi, näiteks eraldusvõimet või failitüüpi.

Probleem	Tegevused
ADF tõmbab sisse mitu lehte korraga, kõverdab lehti või ummistub tihti.	<ul style="list-style-type: none"> Reguleerige juhikuid nii, et nad oleksid kergelt vastu virna, kuid ei painutaks seda. Kontrollige, et ADF sisendkassett või väljundsalv ei oleks üle koormatud. Igas kassetis võib olla maksimaalselt 50 lehekülge, kuid seda mahtu võib vähendada spetsiaalsete kandjate kasutamisel. Kontrollige, et virnastatud paber oleks ADF's täisnurkselt ja sirgelt. Kui originaal oli esialgselt klammerdatud või augustatud, veenduge, et lehed ei oleks üksteise küljes kinni. Kontrollige, et laaditavad kandjad vastaksid nõutud spetsifikatsioonidele. Meedia spetsifikatsioonidega tutvumiseks vaadake <i>HP 9250C Digital Sender User Guide (HP digitaalse skanneri 9250C kasutusjuhend)</i>.
E-posti ülekanne ei jõua e-posti sihtkohta.	<ul style="list-style-type: none"> Kui e-posti aadress oli sisestatud käsitsi, saatke e-posti sõnum uuesti. Sisestage e-posti aadress uuesti ning kontrollige formaadi õigsust (ilma tühikuteta, nõutud @ märk, nõutud punkt) nii Kellele: kui ka Kellelt: tekstiboksidest. Saatke e-posti sõnum uuesti. Tippige nimi õiges formaadis väljale From:(kellelt) nii, et sõnumit ei saadetaks tagasi ning nii, et saaksite sõnumi tagasi, kui e-posti ülekanne ebaõnnestub. Laske võrguadministraatoril kontrollida, kas funktsiooni SMTP Relay saab kasutada, et saata e-kirju ettevõttest välja. Laske võrguadministraatoril kontrollida SMTP serveri töötamist.
Kausta saadetav dokument ei jõudnud sihtkausta.	<ul style="list-style-type: none"> Saatke dokument uuesti. Kontrollige, kas faili nimi võib olla muutunud, et lahendada dubleeriva-faili-nime viga.
Teie poolt saadetud lehekülje alumine osa on tühi.	<ul style="list-style-type: none"> Kui dokument saadeti klaasilt, siis võis dokumendi lehekülg olla liiga pikk. Klaasilt saadetava dokumendi maksimaalne suurus on A4 või 210 x 297 mm (8,27 x 11,69 tolli).
Juhtpaneelil on vale keel.	<ul style="list-style-type: none"> Valige juhtpaneeli menüü abil sobiv keel. Vaadake Keeleseeded.

Klienditugi

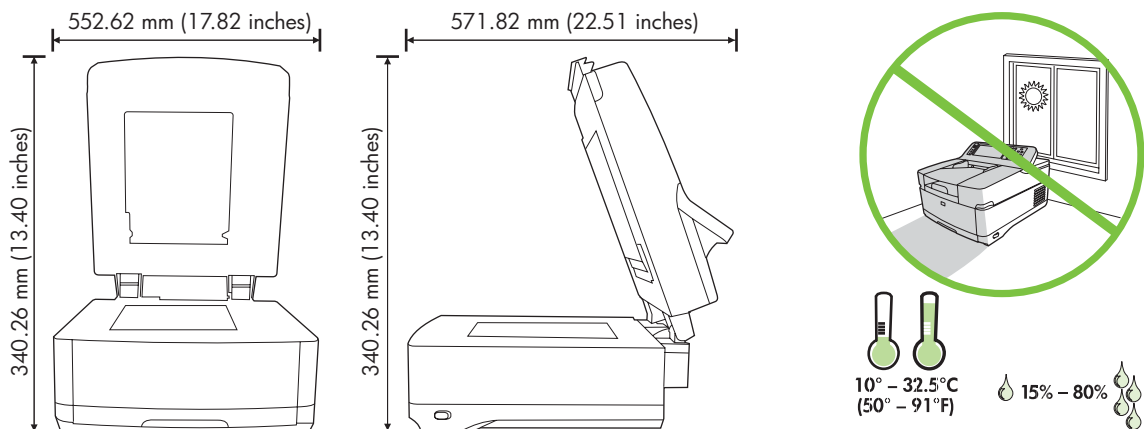
Vaadake *HP 9250C Digital Sender User Guide (HP digitaalse skanneri 9250C kasutusjuhend)* CD-ROM-il. HP klienditeeninduse teavet vaadake seadmega kaasapandud flaierilt või külastage www.hp.com/support/9250c.

Εγκατάσταση και ρύθμιση της συσκευής

Περιβάλλον εγκατάστασης

Προετοιμάστε το χώρο

Επιλέξτε μια καλά αεριζόμενη θέση, χωρίς σκόνη, για να τοποθετήσετε τη συσκευή. Τοποθετήστε τη συσκευή σε μια σταθερή επιφάνεια.



Απαιτήσεις συστήματος

Για να εγκαταστήσετε το HP 9250C Digital Sender, το σύστημα του υπολογιστή πρέπει να έχει τις ακόλουθες δυνατότητες:

- Fast Ethernet 100Base-TX ή Ethernet 10Base-T
- Πρόσβαση σε πύλη ηλεκτρονικού ταχυδρομείου SMTP

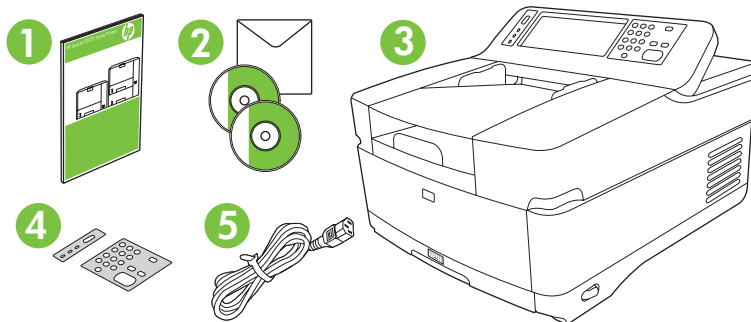


Σημείωση Η HP *συνιστά ιδιαίτερα* τη δημιουργία μιας πύλης SMTP στο δικό σας τοπικό δίκτυο. Ωστόσο, η συσκευή μπορεί να ρυθμιστεί έτσι ώστε να έχει δυνατότητα ηλεκτρονικού ταχυδρομείου, ακόμα και εάν οι υπηρεσίες ηλεκτρονικού ταχυδρομείου παρέχονται από μια εξωτερική υπηρεσία παροχής Internet (ISP) μέσω γραμμής ψηφιακής εγγραφής (DSL).

Μέρη της συσκευής

Βγάλτε τη συσκευή από τη συσκευασία της

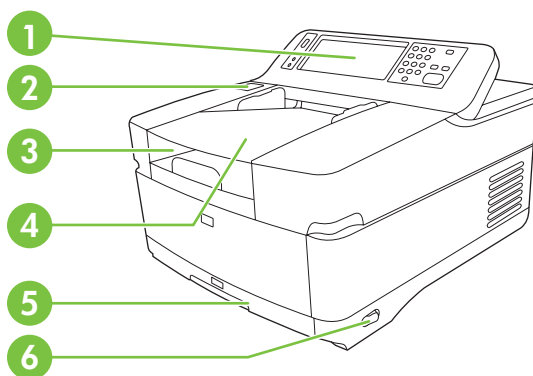
Αφαιρέστε τα σακουλάκια, την ταινία και όλα τα υλικά συσκευασίας.



- | | |
|---|--|
| 1 | Οδηγός για τα πρώτα βήματα |
| 2 | Τεκμηρίωση ψηφιακού αποστολέα και προαιρετικό λογισμικό HP DSS |
| 3 | Ψηφιακός αποστολέας |
| 4 | Προσόψεις του πίνακα ελέγχου (εάν περιλαμβάνονται) |
| 5 | Καλώδιο τροφοδοσίας |

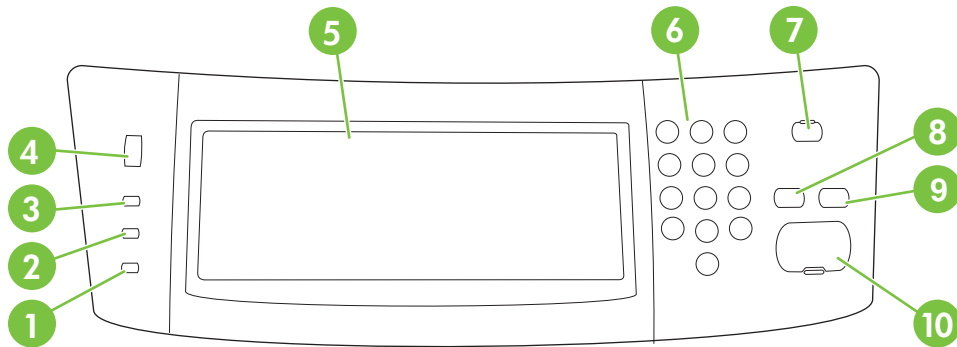
Αναγνωρίστε τα μέρη της συσκευής

Μπροστινό μέρος της συσκευής



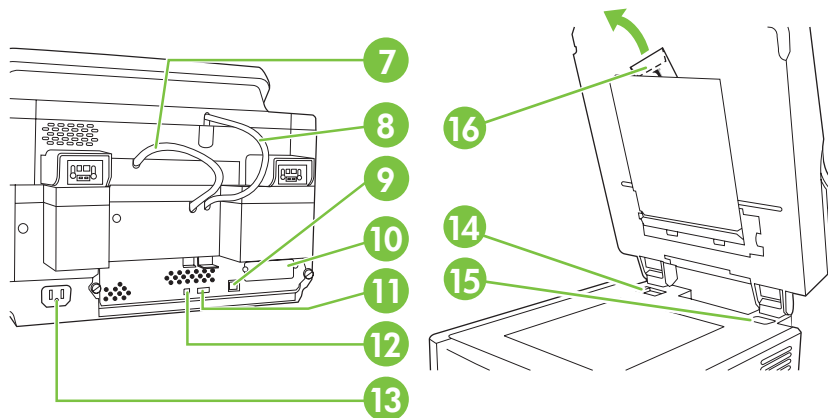
- | | |
|--------------------------|--|
| 1. Πίνακας ελέγχου | 4. Δίσκος εισόδου αυτόματου τροφοδότη εγγράφων (ADF) |
| 2. Αποκατάσταση εμπλοκής | 5. Πληκτρολόγιο (τραβήξτε το για να ανοίξει) |
| 3. Δίσκος εξόδου | 6. Διακόπτης λειτουργίας (on/off) |

Πίνακας ελέγχου



- | | |
|--|----------------------------|
| 1. Φωτεινή ένδειξη Προσοχής | 6. Αριθμητικό πληκτρολόγιο |
| 2. Φωτεινή ένδειξη Δεδομένων | 7. Κουμπί Αναμονής |
| 3. Φωτεινή ένδειξη Ετοιμότητας | 8. Κουμπί Επαναφοράς |
| 4. Επιλογέας ρύθμισης της φωτεινότητας | 9. Κουμπί Διακοπής |
| 5. Οθόνη αφής | 10. Κουμπί Έναρξης |

Πίσω μέρος της συσκευής, ασφάλεια και αριθμός σειράς



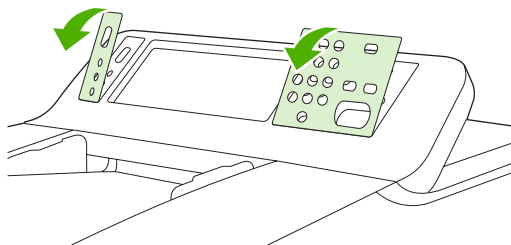
- | | |
|--|--|
| 7. Καλώδιο αυτόματου τροφοδότη εγγράφων (ADF) | 12. Θύρα συσκευής USB (για αναβαθμίσεις υλικολογισμικού) |
| 8. Καλώδιο του πίνακα ελέγχου | 13. Υποδοχή καλωδίου τροφοδοσίας |
| 9. Θύρα δικτύου 10/100Base-T | 14. Ασφάλεια σαρωτή |
| 10. Θύρα EIO | 15. Αριθμός σειράς |
| 11. Θύρα υποδοχής USB (για εξαρτήματα άλλων κατασκευαστών) | 16. Επιπλέον φύλλα Mylar |

Εκκίνηση

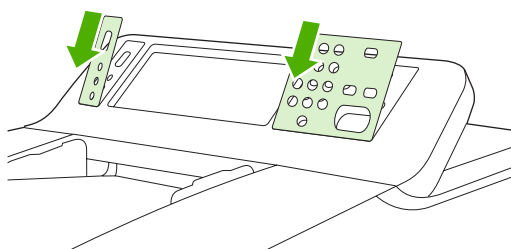
Αλλαγή των προσόψεων του πίνακα ελέγχου

Χρησιμοποιήστε την ακόλουθη διαδικασία για να αλλάξετε τις προσόψεις του πίνακα ελέγχου, εάν χρειαστεί.

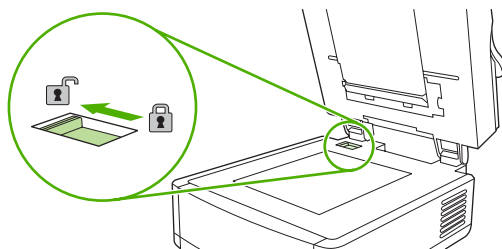
1. Βάλτε ένα μικρό εργαλείο με επίπεδη λεπίδα στην αυλάκωση που βρίσκεται στην επάνω πλευρά. Ανασηκώστε το επάνω μέρος και τραβήξτε το από τον πίνακα ελέγχου.



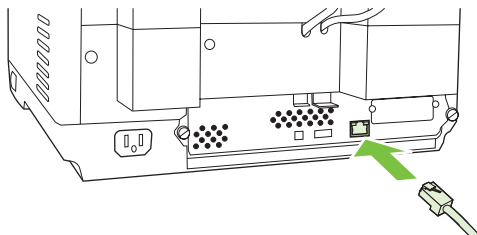
2. Τοποθετήστε την πρόσοψη έτσι ώστε να ευθυγραμμιστεί σωστά με τα κουμπιά. Εφαρμόστε πρώτα το κάτω μέρος και, στη συνέχεια, κουμπώστε την πρόσοψη επάνω στον πίνακα ελέγχου.



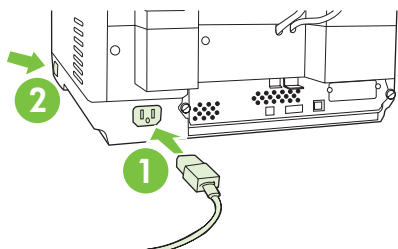
Απασφάλιση του σαρωτή



Σύνδεση του καλωδίου δικτύου



Σύνδεση του καλωδίου τροφοδοσίας



1. Συνδέστε το καλώδιο τροφοδοσίας στη συσκευή και σε μια πρίζα.
2. Ανοίξτε το διακόπτη λειτουργίας και ακολουθήστε τις υποδείξεις που εμφανίζονται στον πίνακα ελέγχου.

Ρύθμιση των παραμέτρων του πίνακα ελέγχου

Βασικές προεπιλεγμένες ρυθμίσεις

Ρυθμίσεις γλώσσας

Μετά την προθέρμανση της συσκευής, τα μηνύματα εμφανίζονται στον πίνακα ελέγχου στην αγγλική γλώσσα. Αλλάξτε τη γλώσσα με έναν από τους εξής δύο τρόπους:

- Επιλέξτε τη γλώσσα που προτιμάτε από το μενού **Γλώσσα** την πρώτη φορά που θα ενεργοποιήσετε τη συσκευή. Η επιλογή της γλώσσας πρέπει να γίνει μέσα σε 60 δευτερόλεπτα μετά την εμφάνιση του μενού.

ή

- Αλλάξτε τη γλώσσα οποιαδήποτε στιγμή από το μενού **Διαχείριση**. Επιλέξτε πρώτα **Συμπεριφορά συσκευής**, στη συνέχεια επιλέξτε **Γλώσσα**, έπειτα επιλέξτε τη γλώσσα που θέλετε και, τέλος, επιλέξτε την εντολή **Αποθήκευση**.

Ρυθμίσεις ημερομηνίας και ώρας

Επιλέξτε **Έξοδος** εάν οι ρυθμίσεις ημερομηνίας και ώρας είναι σωστές. Επιλέξτε **OK** για να αλλάξετε αυτές τις ρυθμίσεις.

Εκχώρηση της διεύθυνσης IP

Στη συσκευή πρέπει να εκχωρηθεί μια έγκυρη διεύθυνση IP (Πρωτόκολλο Internet) στο δίκτυο. Εάν το δίκτυο χρησιμοποιεί πρωτόκολλο DHCP (Dynamic Host Configuration Protocol), η εκχώρηση της διεύθυνσης IP μπορεί να γίνει αυτόματα. Το DHCP είναι η προεπιλεγμένη ρύθμιση του ψηφιακού αποστολέα. Εάν δεν χρησιμοποιείται το πρωτόκολλο DHCP, εκχωρήστε μια διεύθυνση IP με μη αυτόματο τρόπο.

Εύρεση της διεύθυνσης IP DHCP που έχει εκχωρηθεί αυτόματα

Στην κεντρική οθόνη, επιλέξτε **Διεύθυνση δικτύου**. Η διεύθυνση IP εμφανίζεται στην οθόνη "Διεύθυνση δικτύου".

Εάν δεν εμφανιστεί το κουμπί **Διεύθυνση δικτύου**, βρείτε τη διεύθυνση IP ως εξής

- Επιλέξτε **Διαχείριση** και έπειτα επιλέξτε **Πληροφορίες**.
- Επιλέξτε **Σελίδες κατάστασης/ρυθμίσεων** και, στη συνέχεια, επιλέξτε **Σελίδα ρυθμίσεων**.
- Επιλέξτε **Εμφάνιση**. Εμφανίζονται οι πληροφορίες ρύθμισης παραμέτρων του ψηφιακού αποστολέα.
- Επιλέξτε **OK** για να δείτε τα δεδομένα Jetdirect. Κάντε κύλιση στις πληροφορίες για να βρείτε τη διεύθυνση IP.

Μη αυτόματη εκχώρηση διεύθυνσης IP

1. Επιλέξτε **Διαχείριση** και έπειτα επιλέξτε **Αρχικές ρυθμίσεις**.
2. Επιλέξτε **Δικτύωση και I/O** και έπειτα επιλέξτε **Ενσωματωμένο Jetdirect**.
3. Επιλέξτε **TCP/IP** και έπειτα επιλέξτε είτε **Ρυθμίσεις IPV4** (όπως http://192.168.1.1) είτε **IPV6** (όπως http://[2001:0ba0:0000.0000.0000.0000:1234]).

4. Επιλέξτε **Μέθοδος ρύθμισης παραμέτρων**.
5. Επιλέξτε **Μη αυτόματη** και έπειτα επιλέξτε την εντολή **Αποθήκευση**.
6. Επιλέξτε **Μη αυτόματες ρυθμίσεις**.
7. Επιλέξτε **Διεύθυνση IP**. Επιλέξτε το πεδίο διεύθυνσης IP και πληκτρολογήστε τη διεύθυνση IP.
8. Επιλέξτε **OK**.

Ρυθμίσεις παραμέτρων της συσκευής

Πριν να κάνετε ρυθμίσεις παραμέτρων, πρέπει να γνωρίζετε τα εξής:

- Το όνομα του κεντρικού υπολογιστή ή τη διεύθυνση IP του διακομιστή ηλεκτρονικού ταχυδρομείου SMTP (Simple Mail Transfer Protocol) που θα εκτελεί την αποστολή μηνυμάτων ηλεκτρονικού ταχυδρομείου από τον ψηφιακό αποστολέα
- Το όνομα του κεντρικού υπολογιστή ή τη διεύθυνση IP του διακομιστή LDAP (Lightweight Directory Access Protocol) που θα κάνει ανάκτηση των διευθύνσεων ηλεκτρονικού ταχυδρομείου (προαιρετικό)
- Τις προτιμώμενες διαδρομές φακέλου για τη δυνατότητα αποστολής σε φάκελο
- Το όνομα του κεντρικού υπολογιστή ή τη διεύθυνση IP του ψηφιακού αποστολέα

Χρησιμοποιήστε τα ακόλουθα πλήκτρα του πληκτρολογίου για να περιηγηθείτε στις οθόνες ρύθμισης παραμέτρων.

- Πιέστε το πλήκτρο **Escape** για να επιστρέψετε στην προηγούμενη οθόνη.
- Πιέστε το πλήκτρο **Tab** για να μετακινήσετε το δρομέα στο επόμενο πεδίο.

Εγκατάσταση και ρύθμιση παραμέτρων του EWS (Embedded Web Server)

Εγκατάσταση και ρύθμιση παραμέτρων του EWS για πρόσβαση στις ακόλουθες δυνατότητες:

- | | |
|---------------------------|--|
| • Ηλεκτρονικό ταχυδρομείο | • Έλεγχος ταυτότητας Kerberos |
| • Φάκελος | • Έλεγχος ταυτότητας LDAP |
| • Διευθύνσεις | • Έλεγχος ταυτότητας PIN Group 1/Group 2 |

1. Ανοίξτε ένα πρόγραμμα περιήγησης στο Web και πληκτρολογήστε τη διεύθυνση IP της συσκευής.
2. Επιλέξτε την καρτέλα **Digital Sending (Ψηφιακή αποστολή)** και συμπληρώστε τις πληροφορίες **General Settings (Γενικές ρυθμίσεις)**.
3. Επιλέξτε **E-mail Settings (Ρυθμίσεις ηλεκτρονικού ταχυδρομείου)** και, στη συνέχεια, πληκτρολογήστε τη διεύθυνση του διακομιστή SMTP.

Εάν χρησιμοποιείτε μια υπηρεσία παροχής Internet (ISP) για πρόσβαση στο Internet και στο ηλεκτρονικό ταχυδρομείο, πρέπει πρώτα να επικοινωνήσετε με την υπηρεσία παροχής για να λάβετε το όνομα του διακομιστή SMTP και για να διαπιστώσετε εάν χρειάζεται να εισαγάγετε όνομα χρήστη και κωδικό πρόσβασης για έλεγχο ταυτότητας SMTP.

4. Επιλέξτε **E-mail Address Book (Βιβλίο διευθύνσεων ηλεκτρονικού ταχυδρομείου)** για να καταχωρήσετε διευθύνσεις και λίστες διανομής ηλεκτρονικού ταχυδρομείου που χρησιμοποιείτε συχνά. Οι επιλογές **Fax Address Book (Βιβλίο διευθύνσεων φαξ)** και **Fax Speed Dials (Ταχείες κλήσεις φαξ)** βρίσκονται στην αριστερή περιοχή περιήγησης.
5. Επιλέξτε **Send To Folder (Αποστολή σε φάκελο)** για να ρυθμίσετε έναν ή περισσότερους φακέλους προορισμού για τα έγγραφα που σαρώνονται.

Εγκατάσταση και ρύθμιση παραμέτρων του λογισμικού ψηφιακής αποστολής (DSS)

Εγκατάσταση και ρύθμιση παραμέτρων του λογισμικού ψηφιακής αποστολής (προαιρετικό) για πρόσβαση στις ακόλουθες δυνατότητες:

- Ροή εργασίας
- Έλεγχος ταυτότητας των Windows
- OCR
- Έλεγχος ταυτότητας Lanfax
- Lanfax
- Έλεγχος ταυτότητας Netware



Συμβουλή Εάν είναι ήδη εγκατεστημένη μια προηγούμενη έκδοση του HP DSS, εξοικονομήστε χρόνο αντιγράφοντας ρυθμίσεις με τη δυνατότητα **αντιγραφή ρυθμίσεων**, στην καρτέλα **Διαμόρφωση MFP**, κατά την εγκατάσταση της νέας συσκευής.

Για να ολοκληρωθεί με επιτυχία η διαδικασία εγκατάστασης του λογισμικού, ο ψηφιακός αποστολέας πρέπει να είναι ενεργοποιημένος και συνδεδεμένος με το δίκτυο.

Εγκαταστήστε το λογισμικό στο διακομιστή που θα υποστηρίξει την υπηρεσία HP DSS (HP Digital Sending Software). Μετά την εγκατάσταση, η HP DSS εκτελείται στο παρασκήνιο ως υπηρεσία, ξεκινώντας αυτόματα κάθε φορά που γίνεται επανεκκίνηση του διακομιστή.

Επιβεβαίωση της σωστής εγκατάστασης της συσκευής

Ελέγξτε την εγκατάσταση και τις ρυθμίσεις παραμέτρων χρησιμοποιώντας τις επιλογές **Ηλεκτρονικό ταχυδρομείο** και **Φάκελος δικτύου** στην οθόνη του πίνακα ελέγχου.

1. Τοποθετήστε ένα έγγραφο με την όψη προς τα επάνω στον αυτόματο τροφοδότη εγγράφων (ADF) ή με την όψη προς τα κάτω στη γυάλινη επιφάνεια σάρωσης.
2. Επιλέξτε **Ηλεκτρονικό ταχυδρομείο**.
3. Πληκτρολογήστε το όνομα χρήστη και τον κωδικό πρόσβασης, αν σας ζητηθεί.
4. Εάν δεν σας ζητηθεί να συνδεθείτε, επιλέξτε **Από:** και πληκτρολογήστε μια διεύθυνση ηλεκτρονικού ταχυδρομείου.
5. Επιλέξτε **Προς:** και πληκτρολογήστε την ίδια διεύθυνση ηλεκτρονικού ταχυδρομείου.
6. Επιλέξτε **OK** και, στη συνέχεια, πιέστε το κουμπί **Έναρξη**. Η συσκευή σαρώνει το έγγραφο και σας το στέλνει ως συνημμένο ηλεκτρονικού ταχυδρομείου.
7. Επαναλάβετε αυτήν τη διαδικασία χρησιμοποιώντας την επιλογή **Φάκελος δικτύου** και βεβαιωθείτε ότι το αρχείο έχει αποσταλεί στο σωστό φάκελο.

Μια επιτυχημένη δοκιμή δείχνει ότι η συσκευή θα σαρώσει και θα στείλει έγγραφα στη διεύθυνση ηλεκτρονικού ταχυδρομείου ή το φάκελο που έχει οριστεί.

Εάν η συσκευή δεν στέλνει σωστά το αρχείο, ελέγξτε την εγκατάσταση και τη ρύθμιση της συσκευής.

Πού θα αναζητήσετε περισσότερες πληροφορίες

Δυνατότητα	Περιγραφή	Για περισσότερες πληροφορίες
Σάρωση σε email	Σάρωση ενός εγγράφου και αποστολή του σε οποιαδήποτε διεύθυνση ηλεκτρονικού ταχυδρομείου	Οδηγός χρήσης του EWS
Σάρωση σε φάκελο	Σάρωση ενός εγγράφου και αποστολή του σε έναν ή περισσότερους φακέλους δικτύου	
Βιβλίο διευθύνσεων για ηλεκτρονικό ταχυδρομείο και φαξ	Καταχώριση ονομάτων, διευθύνσεων ηλεκτρονικού ταχυδρομείου και αριθμών φαξ	
Έλεγχος ταυτότητας PIN χρήστη	Απαιτείται έλεγχος ταυτότητας για χρήση της συσκευής	
Διευθύνσεις LDAP	Αναζήτηση καταλόγου LDAP για ονόματα και διευθύνσεις ηλεκτρονικού ταχυδρομείου	
Έλεγχος ταυτότητας LDAP		
Έλεγχος ταυτότητας Kerberos	Απαιτείται έλεγχος ταυτότητας χρήστη για χρήση συγκεκριμένων δυνατοτήτων	
LANFax του DSS	Δρομολόγηση εργασιών φαξ μέσω μιας υπάρχουσας υποδομής LANFax	Οδηγός υποστήριξης του DSS
Αποστολή σε φάκελο του DSS	Σάρωση ενός εγγράφου και αποστολή του σε έναν ή περισσότερους φακέλους δικτύου.	
Ροή εργασίας του DSS	Καταγραφή πληροφοριών σχετικά με τα σαρωμένα έγγραφα. Δρομολόγηση εγγράφων σε άλλες εφαρμογές	
Έλεγχος ταυτότητας WNA (Windows Negotiated Authentication) του DSS	Απαιτείται έλεγχος ταυτότητας χρήστη για χρήση συγκεκριμένων δυνατοτήτων	
Έλεγχος ταυτότητας LDAP του DSS		

Αντιμετώπιση προβλημάτων και υποστήριξη πελατών

Αντιμετώπιση προβλημάτων

Πρόβλημα	Ενέργεια
Ο ψηφιακός αποστολέας δεν εκτελεί σάρωση και δεν είναι σε θέση να ολοκληρώσει την εργασία. Εμφανίζεται το μήνυμα σφάλματος Δοκιμάστε ξανά .	<ul style="list-style-type: none">• Ο μηχανισμός ασφάλισης της κεφαλής του σαρωτή βρίσκεται ακόμα στη θέση ασφάλισης. Γυρίστε τον στη θέση απασφάλισης. Ανατρέξτε στην ενότητα Απασφάλιση του σαρωτή.
Το κουμπί Εύρεση διακομιστών της οθόνης "Ρυθμίσεις ηλεκτρονικού ταχυδρομείου" δεν βρήκε κανένα διακομιστή.	<ul style="list-style-type: none">• Βεβαιωθείτε ότι ο διακομιστής SMTP που χρησιμοποιείτε λειτουργεί στο δίκτυο.• Κάντε κλικ στο κουμπί Προσθήκη... της οθόνης Ρυθμίσεις ηλεκτρονικού ταχυδρομείου και πληκτρολογήστε το όνομα του κεντρικού υπολογιστή ή τη διεύθυνση IP του διακομιστή SMTP. Μόλις πληκτρολογήσετε τη διεύθυνση, κάντε κλικ στο κουμπί Δοκιμή για να βεβαιωθείτε ότι το λογισμικό μπορεί να επικοινωνήσει με το διακομιστή.• Εάν η δοκιμή του διακομιστή αποτύχει, επικοινωνήστε με το διαχειριστή του δικτύου για να σας βοηθήσει να αντιμετωπίσετε το πρόβλημα επικοινωνίας με το διακομιστή.• Εάν διαθέτετε άλλους ψηφιακούς αποστολείς ή MFP που χρησιμοποιούν την υπηρεσία HP DSS, χρησιμοποιήστε το κουμπί Αντιγραφή ρυθμίσεων, στην καρτέλα Διαμόρφωση MFP του HP MFP DSS Configuration Utility, για αντιγραφή των ρυθμίσεων από μια συσκευή που λειτουργεί σωστά και, στη συνέχεια, χρησιμοποιήστε το κουμπί Επικόλληση ρυθμίσεων για να εφαρμόσετε αυτές τις ρυθμίσεις στον ψηφιακό αποστολέα.
Το κουμπί Εύρεση διακομιστών της οθόνης "Ρυθμίσεις ελέγχου ταυτότητας" δεν βρήκε κανένα διακομιστή.	<ul style="list-style-type: none">• Βεβαιωθείτε ότι ο διακομιστής LDAP που χρησιμοποιείτε λειτουργεί στο δίκτυο.• Πληκτρολογήστε το όνομα του κεντρικού υπολογιστή ή τη διεύθυνση IP του διακομιστή LDAP στο πλαίσιο κειμένου Διακομιστής LDAP. Μόλις πληκτρολογήσετε τη διεύθυνση, επιλέξτε Εύρεση ρυθμίσεων για να ανακτήσετε τις ρυθμίσεις του διακομιστή. Στη συνέχεια, επιλέξτε Δοκιμή για να βεβαιωθείτε ότι το λογισμικό μπορεί να επικοινωνήσει με το διακομιστή.• Εάν η δοκιμή του διακομιστή αποτύχει, επικοινωνήστε με το διαχειριστή του δικτύου για να σας βοηθήσει να αντιμετωπίσετε το πρόβλημα επικοινωνίας με το διακομιστή.• Εάν υπάρχουν άλλοι ψηφιακοί αποστολείς ή MFP που χρησιμοποιούν την υπηρεσία HP DSS, χρησιμοποιήστε το κουμπί Αντιγραφή ρυθμίσεων, στην καρτέλα Διαμόρφωση MFP του HP MFP DSS Configuration Utility, για αντιγραφή των ρυθμίσεων από μια συσκευή που λειτουργεί σωστά και, στη συνέχεια, χρησιμοποιήστε το κουμπί Επικόλληση ρυθμίσεων για να εφαρμόσετε αυτές τις ρυθμίσεις στον ψηφιακό αποστολέα.
Ο ψηφιακός αποστολέας δεν λειτουργεί.	<ul style="list-style-type: none">• Βεβαιωθείτε ότι το καλώδιο τροφοδοσίας είναι σωστά συνδεδεμένο στη συσκευή και στην πρίζα.• Βεβαιωθείτε ότι η συσκευή είναι ενεργοποιημένη.• Απομακρύνετε τα μηνύματα σφάλματος που εμφανίζονται στην οθόνη του πίνακα ελέγχου.• Βεβαιωθείτε ότι το καλώδιο δικτύου είναι σωστά συνδεδεμένο στη συσκευή.• Βεβαιωθείτε ότι ανάβει μία από τις δύο πράσινες λυχνίες LED που βρίσκονται ακριβώς επάνω από τη θύρα δικτύου της συσκευής.
Οι σαρωμένες σελίδες είναι κενές ή έχουν μοτίβα που επαναλαμβάνονται.	<ul style="list-style-type: none">• Βεβαιωθείτε ότι δεν υπάρχει ήδη κάποια σελίδα στη γυάλινη επιφάνεια του σαρωτή.

Πρόβλημα	Ενέργεια
Η ποιότητα της εικόνας είναι κακή.	<ul style="list-style-type: none"> Βεβαιωθείτε ότι το έγγραφο που προσπαθείτε να στείλετε είναι τοποθετημένο σωστά στον αυτόματο τροφοδότη εγγράφων (με την όψη προς τα επάνω) ή στη γυάλινη επιφάνεια του σαρωτή (με την όψη προς τα κάτω). Δοκιμάστε να αλλάξετε ορισμένες από τις ρυθμίσεις σάρωσης, όπου είναι δυνατό, όπως την ανάλυση ή τον τύπο αρχείου, για να βελτιώσετε την ποιότητα της εικόνας.
Ο αυτόματος τροφοδότης εγγράφων (ADF) τροφοδοτεί πολλά φύλλα, τα τσαλακώνει ή εμφανίζει συχνά εμπλοκές.	<ul style="list-style-type: none"> Ρυθμίστε τους οδηγούς έτσι ώστε να εφαρμόζουν στη στοιβα χαρτιού χωρίς να τη λυγίζουν. Βεβαιωθείτε ότι ο δίσκος εισόδου ή ο δίσκος εξόδου του αυτόματου τροφοδότη εγγράφων (ADF) δεν είναι υπερφορτωμένος. Κάθε δίσκος έχει μέγιστη χωρητικότητα 50 σελίδων, αλλά αυτή η ποσότητα μπορεί να είναι μικρότερη όταν χρησιμοποιείτε ορισμένους τύπους μέσων. Βεβαιωθείτε ότι το χαρτί είναι ευθυγραμμισμένο στον αυτόματο τροφοδότη εγγράφων (ADF). Εάν το πρωτότυπο ήταν προηγουμένως συραμμένο ή διάτρητο σε τρία σημεία, βεβαιωθείτε ότι οι σελίδες δεν είναι κολλημένες μεταξύ τους. Βεβαιωθείτε ότι ο τύπος μέσου που έχει τοποθετηθεί πληροί τις προδιαγραφές που απαιτούνται. Για πληροφορίες σχετικά με τις προδιαγραφές μέσων, ανατρέξτε στον <i>Οδηγό χρήσης του HP 9250C Digital Sender</i>.
Μια αποστολή ηλεκτρονικού ταχυδρομείου δεν έφθασε στη διεύθυνση ηλεκτρονικού ταχυδρομείου προορισμού.	<ul style="list-style-type: none"> Εάν καταχωρίσατε τη διεύθυνση ηλεκτρονικού ταχυδρομείου με μη αυτόματο τρόπο, επαναλάβετε την αποστολή του μηνύματος. Καταχωρίστε ξανά τη διεύθυνση ηλεκτρονικού ταχυδρομείου και βεβαιωθείτε ότι έχετε χρησιμοποιήσει τη σωστή μορφή (χωρίς διαστήματα, το απαραίτητο σύμβολο @, την απαραίτητη τελεία) τόσο στο πλαίσιο ελέγχου Προς: όσο και στο πλαίσιο ελέγχου Από: . Στείλτε ξανά το μήνυμα ηλεκτρονικού ταχυδρομείου. Πληκτρολογήστε το όνομα στη σωστή μορφή στο πεδίο Από: για να μην απορριφθεί το μήνυμα και για να εμφανιστεί σχετικό μήνυμα εάν αποτύχει η αποστολή του μηνύματος ηλεκτρονικού ταχυδρομείου. Ζητήστε από το διαχειριστή του δικτύου να επιβεβαιώσει ότι η δυνατότητα μετάδοσης μέσω SMTP είναι ενεργοποιημένη στο διακομιστή ηλεκτρονικού ταχυδρομείου, ώστε να επιτρέπεται η αποστολή σε διευθύνσεις ηλεκτρονικού ταχυδρομείου εκτός της εταιρείας σας. Ζητήστε από το διαχειριστή του δικτύου να επιβεβαιώσει ότι ο διακομιστής SMTP λειτουργεί.
Ένα έγγραφο που στάλθηκε σε ένα φάκελο δεν έφθασε στο φάκελο προορισμού.	<ul style="list-style-type: none"> Στείλτε ξανά το έγγραφο. Διαπιστώστε αν το όνομα αρχείου έχει τροποποιηθεί για επίλυση ενός σφάλματος διπλότυπου ονόματος αρχείου.
Το κάτω μέρος της σελίδας που στείλατε έχει αποκοπεί.	<ul style="list-style-type: none"> Εάν το έγγραφο στάλθηκε από τη γυάλινη επιφάνεια του σαρωτή, υπάρχει περίπτωση να είναι πολύ μεγάλο. Το μέγιστο μήκος των εγγράφων που σαρώνονται από τη γυάλινη επιφάνεια του σαρωτή είναι A4 ή 210 x 297 χιλ. (8,27 x 11,69 ίντσες).
Η γλώσσα που χρησιμοποιεί ο πίνακας ελέγχου δεν είναι σωστή.	<ul style="list-style-type: none"> Χρησιμοποιήστε το μενού του πίνακα ελέγχου για να ορίσετε τη σωστή γλώσσα. Ανατρέξτε στην ενότητα Ρυθμίσεις γλώσσας.

Υποστήριξη πελατών

Ανατρέξτε στον *Οδηγό χρήσης του HP 9250C Digital Sender* στο CD-ROM. Για πληροφορίες σχετικά με το Τμήμα Εξυπηρέτησης Πελατών της HP, ανατρέξτε στο φυλλάδιο υποστήριξης που συνοδεύει τη συσκευή ή μεταβείτε στην τοποθεσία www.hp.com/support/9250c.

Авторлық Құқықтар және Лицензия

© 2007 Copyright Hewlett-Packard Development Company, LP

Авторлық құқықтар жөніндегі заңдарға сәйкес жағдайлардан өзге жағдайларда алдын-ала жазбаша рұқсатсыз көбейтіге, бейімдеуге немесе аударуға тыйым салынған.

Осы құжаттағы ақпарат ескертусіз өзгертілуі мүмкін.

HP өнімдері мен қызметтеріне қарастырылған кепілдік туралы мәлімдемелерде нақты түрде көрсетілген сондай өнімдер мен қызметтерге деген кепілдемелер ғана мойындалады. Осы құжатта ештеңе қосымша кепілдеме ретінде талқыланбайды. HP компаниясы осы құжатта кеткен техникалық немесе редакциялық қателер немесе қателіктер үшін жауапты емес.

CB472-90948

Edition 1, 6/2007

FCC Стандартының Ережелері

Осы жабдық сынаудан өтіп, оның FCC стандарты ережелерінің 15-бөлігі бойынша, В-сыныпты цифрлік қондырғыға қойылған шектеулеріне сәйкестігі анықталды. Ол шектеулер тұрғын жайларда орнатқанда зиянды кедергілерден есті қорғанысты қамтамасыз ету үшін қойылған. Бұл жабдық радио жиілік қуатын тудырады, пайдаланады және оны тарата алады. Егер бұл жабдық нұсқауларға сәйкес орнатылып қолданылмаса, ол радио байланыс торабына зиянды кедергілер тигізуі мүмкін. Дегенмен, белгілі бір орында кедергі пайда болмайтынына еш кепілдік жоқ; кедергілердің болуын құрылғыны өшіріп қайта қосу жолымен жоюға болады.

Егер жабдық радио немесе теледидар қабылдауына зиянды кедергі туғызатын болса, пайдаланушының төмендегі бір немесе бірнеше шаралар арқылы кедергіні түзетіп көруге еркіндігі бар: Қабылдағыш антеннаны қайта бағыттаңыз немесе қайта орнатыңыз; жабдық пен қабылдағыш арасындағы аралықты үлкейтіңіз; жабдықты қабылдағыш жалғанған тізбектен басқа тізбектегі ұяға жалғаңыз.

Ескерту: HP компаниясымен анық түрде бекітілмеген өзгертулер мен түзетулерді принтерге енгізу пайдаланушының осы жабдықты пайдалану жөніндегі өкілеттерін жарамсыз етуі мүмкін

Сауда белгілер тізімі

Microsoft® және Windows® сауда белгілері Microsoft Corporation компаниясының АҚШ-да тіркелген сауда белгілері болып табылады.

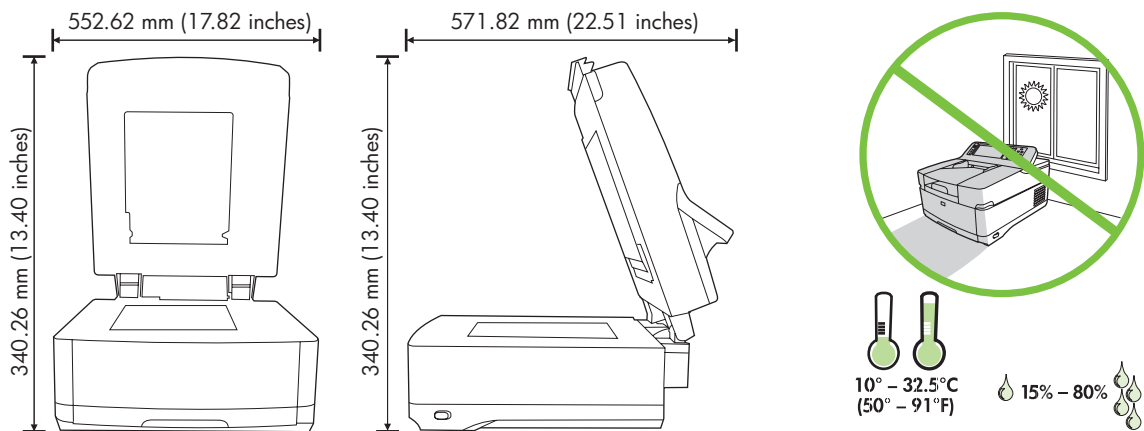
Pentium® Intel Корпорациясының немесе Америка Құрама Штаттарындағы еншідес компанияларының тіркелген сауда белгілері болып табылады.

Құралды Орнату және Баптау

Орнату ортасы

Орнатылатын жерді дайындаңыз

Құрылғыны орнату үшін жақсы желдетілетін, шаңсыз жерді таңдаңыз. Құрылғыны берік бетке орнатыңыз.



Жүйелік талаптар

HP 9250C Digital Sender (Цифрлі Жіберушіні) орнату үшін компьютер жүйесі келесі талаптарға сәйкес болуы тиіс:

- Жылдам Ethernet 100Base-TX немесе Ethernet 10Base-T
- SMTP электрондық шлюзына кіру мүмкіндігі

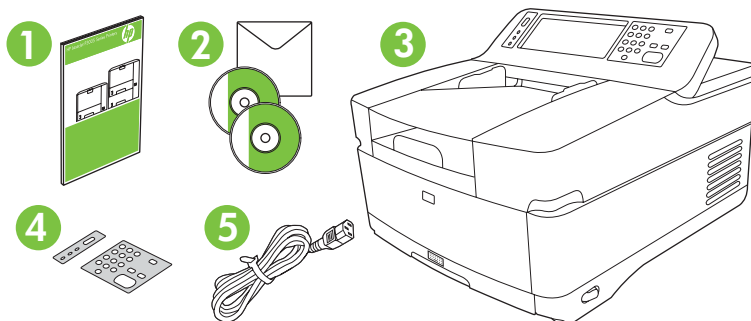


Ескертпе HP өзіңіздің жергілікті желіңізге SMTP шлюзын орнатуды *ерекше талап етеді*. Қайткенмен де, құрылғы электрондық пошта қызметтерін пайдалануға пошта қызметтері сырттағы Интернет қызметтерін жеткізушімен (ISP) цифрлік жазылу желісі (DSL) арқылы қамтамасыз етілетін болса да конфигурациялана алады.

Құрылғы бөліктері

Құрылғыны қорабынан шығарыңыз

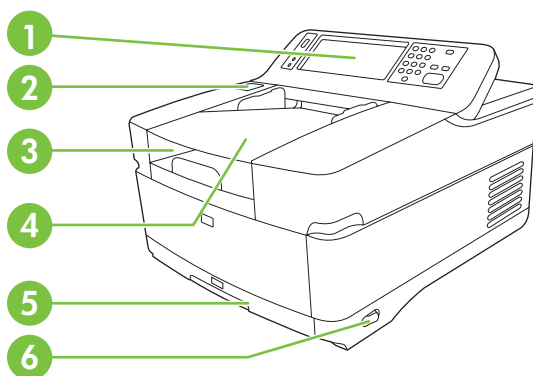
Барлық тасымалдау қаптамаларын, таспалардын және қаптау материалдарын шешіп алыңыз.



- | | |
|---|--|
| 1 | Алғашқы іске қосу жөніндегі нұсқаулық |
| 2 | Цифрлі жіберуші құжаттамасы мен HP DSS қосымша бағдарламалық құралдары |
| 3 | Цифрлі жіберуші |
| 4 | Басқару панелінің жапсырмасы (қоса берілсе) |
| 5 | Қорек сымы |

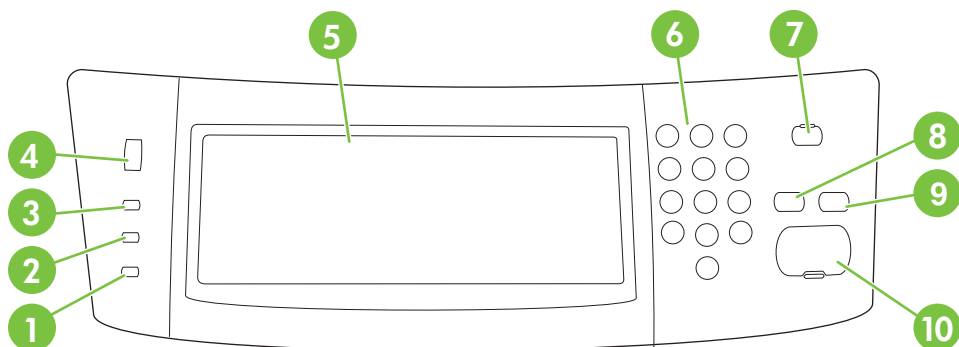
Құрылғы бөліктерін тану

Құрылғының алдыңғы беті



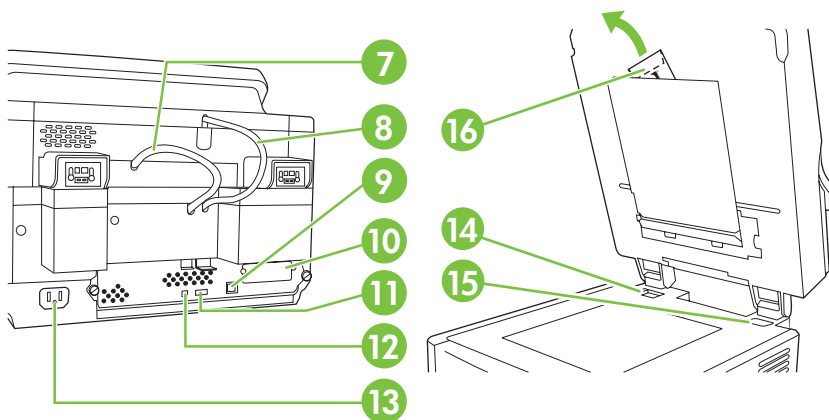
- | | |
|-------------------------------|----------------------------------|
| 1. Басқару панелі | 4. ADF әперу науасы |
| 2. Қыстырылған қағазды шығару | 5. Пернетақта (ашу үшін басыңыз) |
| 3. Шығару науасы | 6. Қосу/өшіру ажыратқышы |

Басқару панелі



- | | |
|------------------------------------|----------------------|
| 1. Attention (Ескерту) шамы | 6. Сандық пернетақта |
| 2. Data (Деректер) шамы | 7. Ұйқы батырмасы |
| 3. Ready (Өзір) шамы | 8. Нольдеу батырмасы |
| 4. Жарықтығын реттеуді теру | 9. Тоқтату батырмасы |
| 5. Сенсорлық графикалық дисплей | 10. Бастау батырмасы |

Құрылғының артқы беті, құлыбы және сериялық номері



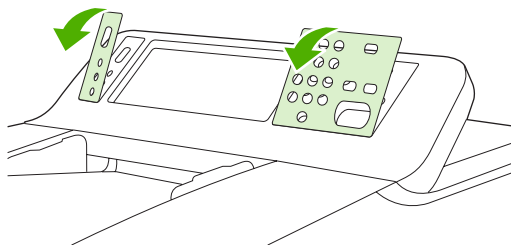
- | | |
|--|--|
| 7. ADF кабелі | 12. USB құралының порты (аппараттық құралдарды жаңарту қажет етілсе) |
| 8. Басқару панелінің кабелі | 13. Қуатты қосушы |
| 9. 10/100Base-T желі порты | 14. Сканер құлыбы |
| 10. EIO порты | 15. Сериялық номер |
| 11. USB хостының порты (үшінші тарап құралдары үшін) | 16. Қосымша майлар парақтар |

Жұмысты бастау

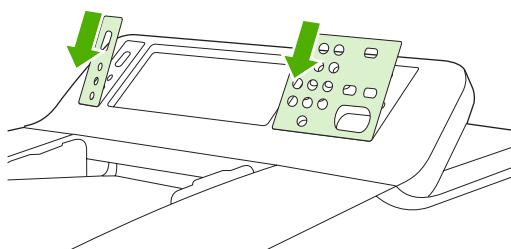
Басқару панелінің жапсырмасын ауыстыру

Қажетті жағдайларда басқару панелінің жапсырмасын ауыстыру үшін келесі процедураларды орындаңыз.

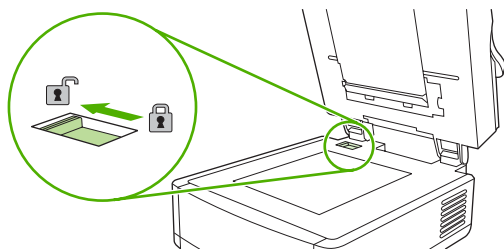
1. Жоғарғы жиегіндегі ойыққа шағын, жалпақ жүзді құралды енгізіңіз. Доғарғы жағын көтеріп, басқару панелін тартып шығарыңыз.



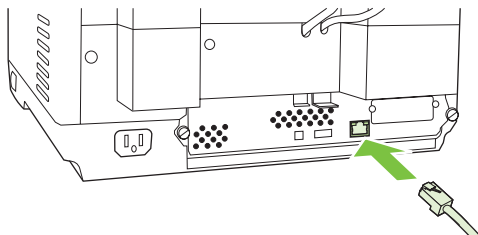
2. Жапсырманы батырмаларға келістіре отырып орнатыңыз. Алдымен астыңғы жиекті сырғыта енгізіп, басқару панеліне қыстырыңыз



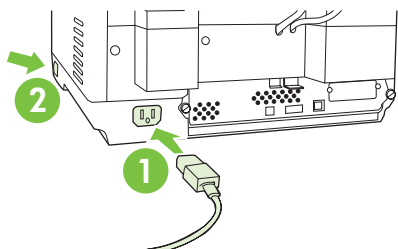
Сканерді құлыптан босату



Желілік кабелді жалғаңыз



Қорек сымын жалғаңыз



1. Қорек сымын құрылғы мен ток көзіне жалғаңыз.
2. Қорек ажыратқышын қосып, басқару панеліндегі кеңестерді орындаңыз.

Басқару панелінің баптауларын конфигурациялаңыз

Негізгі стандартты баптаулар

Тіл баптаулары

Құрылғы қызғаннан кейін, басқару панеліндегі хабар ағылшын тілінде шығады. Тілді екі жолдың бірімен өзгертуге болады:

- Қалаулы тілді құрылғы бірінші рет орнатылғанда **Language** (Тіл) мәзірінен таңдаңыз. Тіл мәзір шығарылғаннан кейін 60 секунд барысында таңдалуы тиіс.

немесе

- Тілді кез келген уақытта **Administration** (Басқару) мәзірінде өзгертіңіз. Алдымен **Device Behavior** (Құрылғы Режимдері) тармағын шертіп, одан кейін **Language** (Тіл) тармағын, қалаулы тілді шертіп, ең соңында **Save** (Сақтау) тармағын шертіңіз.

Күн және уақыт баптаулары

Бастапқы күн мен уақыт баптаулары дұрыс болған жағдайда **Exit** (Шығу) тармағын шертіңіз. Ол баптауларды өзгерту үшін **OK** тармағын шертіңіз.

IP адресін белгілеңіз.

Құрылғы үшін желідегі жарамды IP (Internet Protocol (Интернет Хаттамасы)) адресі белгіленуі тиіс. Егер желі қарқынды хост конфигурациясы хаттамасын (DHCP) пайдаланатын болса, IP адресі автоматты белгілеуі мүмкін. DHCP цифрлі жіберушінің стандартты баптамасы болып табылады. IP адресін DHCP қолданылмаған жағдайда қолмен белгілеңіз.

Автоматты белгіленетін DHCP IP адресін табыңыз

Негізгі экрандағы **Network Address** (Желі адресі) батырмасын шертіңіз. IP адресі Желі адресі экранына шығарылады.

Егер **Network Address** (Желі адресі) батырмасы шығарылмаса, IP адресін табыңыз:

- Алдымен **Administration** (Басқару) батырмасын шертіп, одан кейін **Information** (Ақпарат) батырмасын шертіңіз.
- Кейін **Configuration/Status Pages** (Конфигурация/Мәртебе Беті) тармағын шертіп, одан кейін **Configuration Page** (Конфигурация Беті) батырмасын шертіңіз.
- Одан кейін **Show** (Көрсету) батырмасын шертіңіз. Цифрлі жіберуші конфигурациясының ақпараты шығарылады.
- Jetdirect деректерін көру үшін **OK** басыңыз. IP адресін тауып алу үшін ақпаратты қарап шығыңыз. .

Қолмен IP адресін белгілеңіз.

1. Алдымен **Administration** (Басқару) мәзіріне кіріп, одан кейін **Initial Setup** (Бастапқы Баптау) батырмасын шертіңіз.
2. Оның ішінде **Networking and I/O** (Желіде жұмыс істеу және Қосу/Өшіру) мәзірін таңдап, **Embedded Jetdirect** (Енгізілген Jetdirect) батырмасын басыңыз.

3. **TCP/IP** басып, содан кейін не **IPv4 Settings** (<http://192.168.1.1> сияқты) не **IPv6** ([http://\[2001:0ba0:0000.0000.0000.0000.0000:1234\]](http://[2001:0ba0:0000.0000.0000.0000.0000:1234]) сияқты) басыңыз.
4. Шертіңіз **Config Method** (Конфигурациялау Әдісі)
5. Шертіңіз **Manual** (Қолмен баптау) және одан кейін **Save** (Сақтау) батырмасын шертіңіз.
6. Шертіңіз **Manual settings** (Қолмен реттелетін баптаулар)
7. Шертіңіз **IP address**. IP адресінің жолына кіріп, IP адресін теріңіз.
8. Шертіңіз **OK**.

Құрылғы конфигурациясы

Конфигурациялау алдында, келесі ақпаратқа назар аударыңыз:

- Цифрлік жіберушіден электрондық пошта жіберетін электрондық пошта серверінің қарапайым пошта тасымалдау хаттамасының хост атауы немесе IP адресі
- Электрондық пошта адрестерін қабылдайтын электрондық пошта серверінің Жеңілдетілген Директорияға Ену Хаттамасының (LDAP) хост атауы немесе IP адресі (қосымша)
- Папкаға-жіберу мүмкіндігінің қалаулы папка жолы
- Цифрлік жіберушінің хост атауы немесе IP адресі

Конфигурациялау экранында жұмыс істеуге көмек ретінде пернетақтаның келесі түймелерін пайдаланыңыз.

- Алдындағы экран көрінісіне қайту үшін **Escape** (Шығу) түймесін басыңыз.
- Курсорды келесі жолға ауыстыру үшін **Tab** (Жиекбелгі) түймесін басыңыз.

Енгізілген Веб Серверін (EWS) орнатып, баптаңыз

Келесі мүмкіндіктерді пайдалану үшін EWS орнатып, баптаңыз:

-
- | | |
|---------------------|------------------------------------|
| • Электрондық пошта | • Kerberos аутентификациясы |
| • Папка | • LDAP аутентификациясы |
| • Адрестеу | • Топ 1/Топ 2 PIN аутентификациясы |
-

1. Веб браузерін ашып, құрылғының IP адресін теріңіз.
2. Одан кейін **Digital Sending** (Цифрлі жіберу) жиекбелгісін таңдап, **General Settings** (Негізгі Баптаулар) ақпаратын толықтырыңыз.
3. Таңдаңыз **E-mail Settings** (Электрондық пошта баптаулары) тармағын, одан кейін SMTP серверінің адресін теріңіз.

Егер Сіз Интернетке кіру және электрондық поштаны жіберу үшін Интернет Қызметі Провайдерінің (ISP) қызметін пайдалансаңыз, Сізге SMTP сервер атауын алу және SMTP куәландыру үшін есептік жазба аты мен кілтсөз енгізуіңіз қажет не қажет емес екенін анықтап алу үшін провайдеріңізбен хабарласу қажет болуы мүмкін.

4. Жиі пайдаланатын электрондық пошта адрестерін және пошта тарату тізімдерін енгізу үшін **E-mail Address Book** (Электрондық Пошта адрестерінің Кітабын) таңдаңыз. **Fax Address Book** (Факс адрестерінің Кітабы) және **Fax Speed Dials** (Факс Жылдам Теру Номерлері) сол жақ навигация аумағында орналасқан.
5. Сканерленген құжаттарды жіберу үшін бір немесе бірнеше папканы арнау үшін **Send To Folder** (Папкаға Жіберу) тармағын таңдаңыз.

Цифрлік жіберу бағдарламалық құралын (DSS) орнатып, баптаңыз.

Келесі мүмкіндіктерге қол жеткізу үшін цифрлік жіберу бағдарламалық құралын (қосымша) орнатып, баптаңыз:

-
- Құжаттарды автоматтандыру
 - OCR (Таңдалардың Оптикалық Танылуы)
 - Lanfax (Жергілікті Факс)
 - Windows аутентификациясы
 - Lanfax аутентификациясы
 - Netware аутентификациясы
-



КЕҢЕС: Егер HP DSS алдыңғы нұсқасы орнатылып қойған болса, жаңа құрылғыны орнату кезінде **MFP configuration** (MFP конфигурациясы) сілтемесіндегі **copy settings** (параметрлерді көшіру) мүмкіндігімен параметрлерді көшіру арқылы уақытты үнемдеңіз.

Бағдарламалық құралды орнату процессін сәтті аяқтау үшін цифрлі жіберуші қосылып, желіге жалғанған болуы тиіс.

Бағдарламалық құралды HP Цифрлі Жіберу Бағдарламалық Құралы (HP DSS) қызметін қолдайтын серверге орнатыңыз. Орнатқаннан кейін, HP DSS артқы фонда сервер қайта қосылған сайын автоматты түрде қосылып отыратын қызмет түрінде жұмысын бастайды.

Құрылғы орнатылуын растау

Орнатылуы мен конфигурациясын басқару панеліндегі **E-Mail** (Электрондық пошта) және **Network Folder** (Желілік Папка) опцияларын пайдалана отырып тексеріңіз.

1. Құжатты ADF үстіне жоғары қаратып немесе планшетті шыныға төмен қаратып орнатыңыз.
2. Шертіңіз **E-Mail**.
3. Егер кеңес берілсе, пайдаланушы аты мен кілтсөзді теріңіз.
4. Кіруге кеңес берілмесе, шертіңіз **From:(Ішінен)**: және одан кейін электрондық пошта адресін теріңіз.
5. Шертіңіз **To: (Кімге:)** және одан кейін электрондық пошта адресін теріңіз.
6. Шертіңіз **OK** және одан кейін **Start** (Бастау) таңдаңыз. Құрылғы құжатты сканерлеп, оны Сізге электрондық пошта қыстырмасы ретінде жібереді.
7. Осы процессті **Network Folder** (Желілік Папка) опциясын пайдалана отырып қайталаңыз да, файлдың дұрыс папкаға жіберілгенін растаңыз.

Сәтті тексеру құрылғының құжаттарды сканерлеп, конфигурацияланған электрондық пошта адресіне немесе папкаға жіберетіндігін көрсетеді.

Егер құрылғы файлды дұрыс жібермесе, құрылғының орнатылуы мен бапталуын тексеріңіз.

Көбірек ақпаратты табу орындары

Мүмкіндіктері	Сипаттамасы	Көбірек ақпарат
Электрондық поштаға сканерлеу	Құжатты сканерлеу және кез келген электрондық пошта адресіне жіберу	EWS пайдаланушы нұсқауы
Папкаға сканерлеу	Құжатты бір немесе бірнеше желілік папкаға сканерлеу	
Электрондық пошта мен Факс адрестік Кітабы	Атауды, электрондық пошта адресі және факс номерлерін енгізіңіз	
Пайдаланушы PIN Аутентификациясы	Құрылғыны пайдалану үшін авторизация талап етіледі	
LDAP Адрестеуі	Атаулар мен электрондық пошта адрестері үшін LDAP директориясын іздеу	
LDAP Аутентификациясы		
Kerberos Аутентификациясы	Арнайы мүмкіндіктерді пайдалану үшін пайдаланушы аутентификациясы талап етіледі	
DSS LANFax	Факс құжаттарын қолданыстағы LANFax инфрақұрылымы арқылы жөнелту	DSS қолдауының нұсқауы
DSS Папкаға Жіберу	Құжатты бір немесе бірнеше желілік папкаға сканерлеу	
DSS Құжаттарды автоматтандыруы	Сканерленген құжаттар жөніндегі ақпаратты сақтап қалу; құжаттарды өзге қосымшаларға жөнелту	
DSS Windows Келісілген Аутентификациясы		
DSS LDAP Аутентификациясы	Арнайы мүмкіндіктерді пайдалану үшін пайдаланушы аутентификациясы талап етіледі	

Ақаулықтарды түзету және Пайдаланушы Қолдауы

Ақаулықтарды түзету

Ақаулық	Қолданатын шара
Цифрлік жіберуші сканерлемейді және тапсырманы аяқтамайды. Экранға Please try again (Қайта тырысыңыз) қателік хабары шығарылады.	<ul style="list-style-type: none">Сканердің жоғағы шлюзі босатылмаған. Оны босатылған күйге ауыстырыңыз. Қараңыз Сканерді құлыптан босату.
Электрондық Пошта баптаулары экранындағы Find Servers (Серверлерді Табу) батырмасы ешбір серверді таппайды.	<ul style="list-style-type: none">Желіңізде жұмыс істеп тұрған SMTP серверінің бар екендігін тексеріңіз.Шертіңіз Add... (Қосу...) батырмасын E-Mail Settings (Электрондық Пошта баптаулары) экранындағы және SMTP серверінің IP адресін теріңіз. Адресі тергеннен кейін бағдарламалық құралдың серверге қосыла алатындығын растау үшін Test (Тексеру) батырмасын шертіңіз.Егер серверді тексеру сәтсіз аяқталса, сервермен байланысу ақаулықтарын түзетуде көмек сұрау үшін желі администраторымен хабарласыңыз.Егер Сізде HP DSS қызметін пайдаланатын өзгедей цифрлік жіберуші немесе MFP құралдары болса, дұрыс жұмыс істеп тұрған құрал конфигурацияларын көшіріп алу үшін пайдаланыңыз Copy Settings батырмасын HP MFP DSS Конфигурациясының Утилиталарының MFP Configuration (MFP Конфигурациялары) жиекбелгісіндегі және одан кейін сол конфигурацияларды цифрлік жіберушіге орнату үшін Paste Settings (Баптауларды Енгізу) батырмасын шертіңіз.
Аутентификация Баптаулары экранындағы Find Servers (Серверлерді Табу) батырмасы ешбір серверді таппайды.	<ul style="list-style-type: none">Желіңізде жұмыс істеп тұрған LDAP серверінің бар екендігін тексеріңіз.LDAP серверінің хост атауын немесе IP адресін LDAP Server (LDAP сервері) мәтін жолына теріңіз. Адресі тергеннен кейін сервер баптауларын алу үшін Find Settings (Баптауларды Табу) батырмасын басыңыз. Одан кейін бағдарламалық құралдың серверге қосыла алатындығын растау үшін Test (Тексеру) батырмасын шертіңіз.Егер серверді тексеру сәтсіз аяқталса, сервермен байланысу ақаулықтарын түзетуде көмек сұрау үшін желі администраторымен хабарласыңыз.Егер Сізде HP DSS қызметін пайдаланатын өзгедей цифрлік жіберуші немесе MFP құралдары болса, дұрыс жұмыс істеп тұрған құрал конфигурацияларын көшіріп алу үшін пайдаланыңыз Copy Settings батырмасын HP MFP DSS Конфигурациясының Утилиталарының MFP Configuration (MFP Конфигурациялары) жиекбелгісіндегі және одан кейін сол конфигурацияларды цифрлік жіберушіге орнату үшін Paste Settings (Баптауларды Енгізу) батырмасын шертіңіз.
Цифрлік жіберуші жұмыс істемейді.	<ul style="list-style-type: none">Қорек сымының құрылғыға қажетті түрде жалғанып, оның қорек көзіне қосылғандығын тексеріңіз.Құрылғының қосылғандығын тексеріңіз.Басқару панелінің дисплейіндегі кез келген қателік хабарын өшіріңіз.Желілік кабельдің құрылғыға қажетті түрде жалғандығын тексеріңіз.Желі портының үстіндегі екі жасыл ЖД біреуінің қосылғандығын тексеріңіз.
Сканерленген бет таза немесе қайталанатын суреттері бар.	<ul style="list-style-type: none">Беттің өлі шыныда жатпағандығын тексеріңіз.

Ақаулық	Қолданатын шара
Сурет сапасы нашар.	<ul style="list-style-type: none"> Жібергіңіз келетін құжаттың ADF (жоғары қарап) немесе планшетті шыныда (төмен қарап) дұрыс орнатылғандығын тексеріңіз. Сурет сапасын арттыру үшін мүмкіндігінше шешім сапасы немесе файл түрі сияқты сканерлеу баптауларын өзгертіп көріңіз.
ADF жиі бірнеше беттен, қиғашынан немесе қысып қала әпереді.	<ul style="list-style-type: none"> Жолдаушыларды барынша тығыз, бірақ қысып қалмайтындай етіп реттеңіз. ADF әперу науасы немесе қабылдау астауы толып кетпегендігін тексеріңіз. Өр науа ең көп дегенде 50 бетті сиғыза алады, дегенмен, түрлі қағаз пішіндерін пайдаланғанда ол мөлшер азырақ болуы мүмкін. Қағаздың ADF ішіне тік және майыстырылмай әперілетіндігін тексеріңіз. Егер түпнұсқа алғашында степлермен бекітілген немесе үш тесікті болса, беттердің бір біріне бекітілмегендігін тексеріңіз. Жүктелетін қағаз түрі талап етілетін сипаттамаларға сәйкес келетіндігіне көз жеткізіңіз. Қағаз түріне қойылатын талапты сипаттамаларды <i>HP 9250C Digital Sender User Guide</i> (HP 9250C Цифрлік жіберушісін Пайдаланушы Нұсқауынан) қараңыз.
Электрондық пошта хабары жіберілген электрондық пошта адресіне жеткізілмейді.	<ul style="list-style-type: none"> Электрондық пошта адресі қолмен терілген болса, электрондық пошта хабарын қайта жіберіңіз. Электрондық пошта адресін қайта енгізіп, дұрыс форматтың қолданылғандығын тексеріңіз (бос орындар жоқ, талап етілетін @ белгісі, талап етілетін нүкте бар) қос To:(Кімге:) және From: (Кімнен:) жолдарында. Электрондық пошта хабарын қайта жіберіңіз. Атауды дұрыс форматта теріңіз келесі From:(Кімнен:) жолына, хабардың шығарылып тасталмауы үшін және электрондық пошта хабарын жіберу сәтсіз болған жағдайда хабарды қайта алу үшін. Компанияңыздан тыс адреске электрондық хат жіберуге мүмкіндік беру үшін пошта серверінде SMTP релесінің қосулы болуын желі администраторына тексертіп алыңыз. Желі администраторына SMTP серверінің жұмыс істеп тұрғандығын тексертіңіз.
Сіз жіберген хабар жіберілген папкада қабылданбады.	<ul style="list-style-type: none"> Құжатты қайта жіберіңіз. Файл атауының қайталанатын-файл-атауы қателігін болдырмау үшін түзетілу қажеттілігін тексеріңіз.
Сіз жіберген беттің асты қиылып қалады.	<ul style="list-style-type: none"> Егер құжат шыны бетінен жіберілген броса, құжат беті тым ұзын болуы мүмкін. Шыныдан сканерленетін құжаттың ең үлкен өлшемі A4, немесе 210 x 297 мм (8.27 x 11.69 дюйм) болып табылады.
Басқару панелі қате тілді пайдаланады.	<ul style="list-style-type: none"> Дұрыс тілді орнату үшін басқару панелінің мәзірін пайдаланыңыз. Қараңыз Тіл баптаулары.

Пайдаланушы Қолдауы

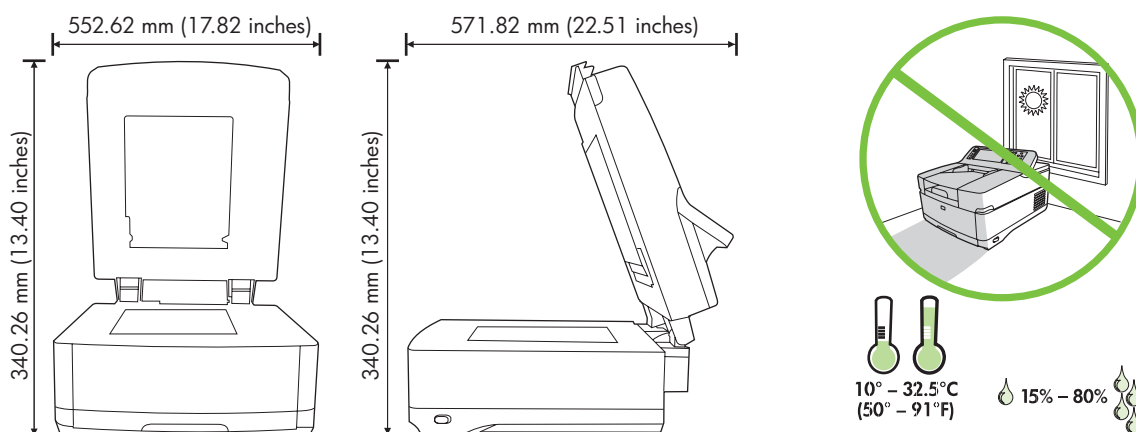
Дискідегі *HP 9250C Digital Sender User Guide* (HP 9250C Цифрлік жіберушісін Пайдаланушы Нұсқауынан) қараңыз. HP Пайдаланушының Күтім Ақпаратын құралмен қоса берілетін қолдау флайерінен қараңыз немесе www.hp.com/support/9250c сайтына кіріңіз.

Įrenginio diegimas ir pradinis nustatymas

Diegimo aplinka

Vietos paruošimas

Įrenginiui parinkite gerai išvėdintą diegimo vietą be dulkių. Įrenginį pastatykite ant stabilaus paviršiaus.



Sistemos reikalavimai

Norint diegti „HP 9250C Digital Sender“ (skaitmeninį siuntiklį), kompiuterio sistemoje turi būti šios priemonės:

- Fast Ethernet 100Base-TX arba Ethernet 10Base-T
- Prieiga prie SMTP el. pašto tinklo sąsajos

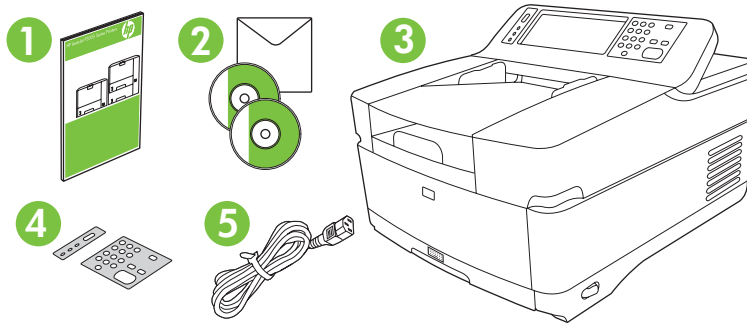


Pastaba HP rekomenduoja sukurti SMTP sąsają savo vietiniame tinkle. Tačiau įrenginio el. pašto funkcijas galima konfigūruoti, net jei pašto paslaugas išorinis interneto paslaugos teikėjas (ISP) teikia naudodamas skaitmeninio abonemento liniją (DSL).

Įrenginio komponentai

Išpakuokite įrenginį

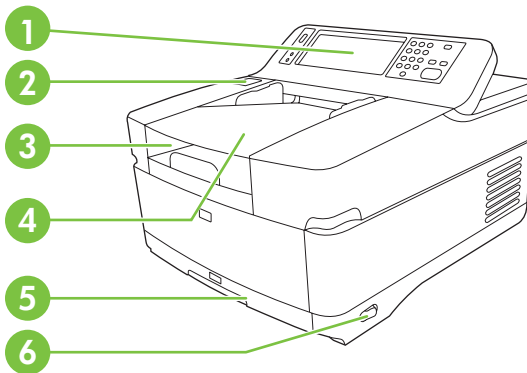
Išimkite iš transportavimo paketo, nuimkite juosteles pakavimo medžiagas.



1	Darbo pradžios vadovas
2	Skaitmeninio siuntiklio dokumentacija ir HP DSS pasirinktinė programinė įranga
3	Skaitmeninis siuntiklis
4	Valdymo skydo apdangalas (jei yra)
5	Maitinimo laidas

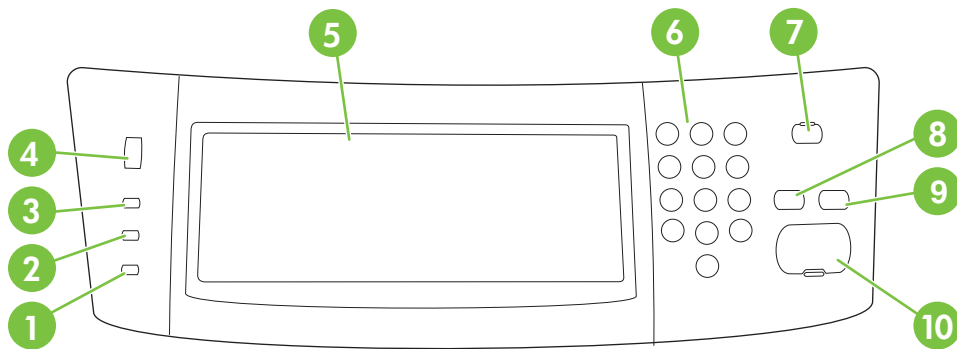
Įrenginio dalių identifikavimas

Įrenginio priekis



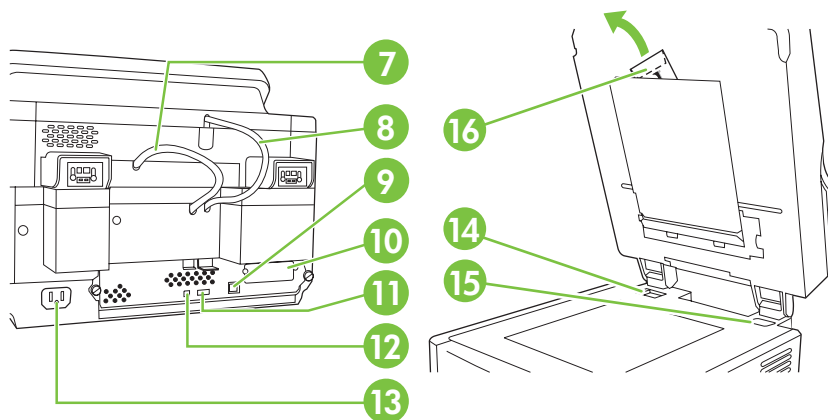
1. Valdymo skydas	4. ADF įvesties dėklas
2. užstrigusio popieriaus išlaisvinimas	5. Klaviatūra (patraukite, kad atidarytumėte)
3. Išvesties dėtuvė	6. Jungiklis įjungti/išjungti

Valdymo skydas



- | | |
|--|--------------------------------|
| 1. Lempūtės Attention (įspėjimas) | 6. Skaičių klaviatūra |
| 2. Lempūtė Data (duomenys) | 7. Mygtukas „Sleep“ (miegoti) |
| 3. Lempūtė Ready (paruošta) | 8. Mygtukas „Reset“ (atkurti) |
| 4. Ryškumo reguliavimo rankenėlė | 9. Mygtukas „Stop“ (stabdyti) |
| 5. Jautrusis grafinis ekranas | 10. Mygtukas „Start“ (pradėti) |

Įrenginio galas, užraktas ir serijos numeris



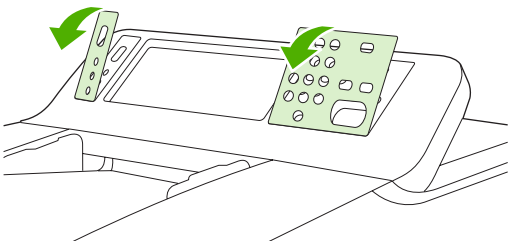
- | | |
|--|---|
| 7. ADF kabelis | 12. USB įrenginio prievadas (jei reikia programinei aparatinei įrangai plėtoti) |
| 8. Valdymo skydo kabelis | 13. Maitinimo lizdas |
| 9. 10/100Base-T tinklo prievadas | 14. Skaitytuvo užraktas |
| 10. EIO prievadas | 15. Serijos numeris |
| 11. USB pagrindinis prievadas (trečiosios šalies priedams) | 16. Itin stipri „Myla“ plėvelė |

Pradžia

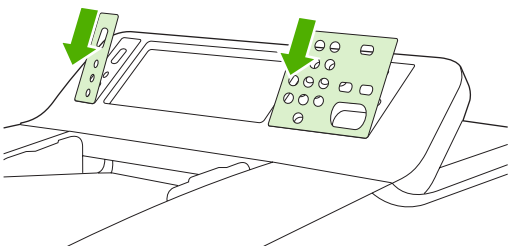
Valdymo skydo apdangalo keitimas

Jei reikia, norint pakeisti valdymo skydo apdangalą, atlikite šiuos veiksmus.

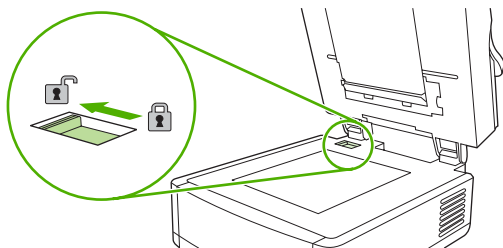
1. Įkiškite mažą, plokščią įrankį į prapjovą viršutiniame krašte. Pakelkite viršų ir išimkite jį iš valdymo skydo.



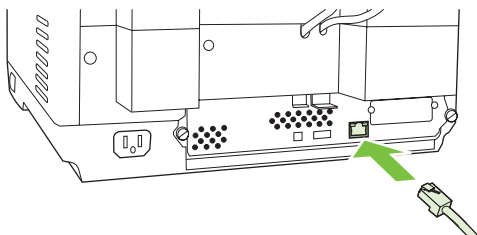
2. Padėkite apdangalą lygiai su mygtukais. Pirmiausia užkiškite apdangalą apatiniame valdymo skydo krašte



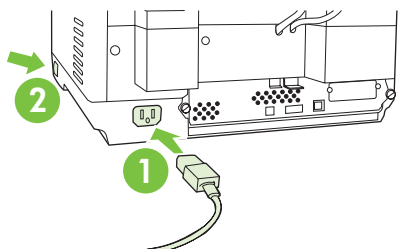
Skaitytuvo atrakinimas



Tinklo kabelio prijungimas



Prijunkite maitinimo laidą



1. Įjunkite maitinimo laidą į įrenginį ir sieninį elektros lizdą.
2. Įjunkite maitinimo jungiklį ir sekite siūlymus valdymo skyde.

Valdymo skydo parametrų konfigūravimas

Pagrindiniai numatytieji parametrai

Kalbos parametrai

Įrenginiu įšilus, ekrane pasirodo pranešimai anglų kalba. Pakeiskite kalbą vienu iš dviejų būdų:

- Pasirinkite norimą kalbą meniu **Language** (kalba), kai įrenginys įjungiamas pirmą kartą. Kalbą reikia pasirinkti per 60 sekundžių nuo meniu pasirodymo.

arba

- Kalbą bet kada galima pakeisti meniu **Administration** (administravimas). Pirmiausi palieskite **Device Behavior** (įrenginio veikimas), palieskite **Language** (kalba), palieskite norimą kalbą, tada palieskite **Save** (įrašyti).

Datos ir laiko parametrai

Jei datos ir laiko parametrai teisingi, palieskite **Exit** (išeiti). Palieskite **OK** (gerai), jei norite keisti šiuos parametrus.

IP adreso priskyrimas

Įrenginiu reikia priskirti IP (Interneto protokolo) adresą tinkle. Jei tinklas naudoja pagrindinio kompiuterio dinaminio konfigūravimo protokolą (DHCP), IP adresas gali būti priskirtas automatiškai. DHCP yra numatytasis skaitmeninio siuntiklio parametras. Jei DHCP nenaudojamas, IP adresą priskirkite neautomatiniu būdu.

Automatiškai priskirto DHCP IP adreso radimas

Pagrindiniame ekrane palieskite **Network Address** (tinklo adresas). IP adresas atsiranda ekrane „Network Address“ (tinklo adresas).

Jei mygtukas **Network Address** (tinklo adresas) neatsiranda, raskite IP adresą:

- Palieskite **Administration** (administravimas), tada palieskite **Information** (informacija).
- Palieskite **Configuration/Status Pages** (konfigūravimo/būsenos puslapiai), tada palieskite **Configuration Page** (konfigūravimo puslapis).
- Palieskite **Show** (rodyti). Pasirodo skaitmeninio skaitiklio konfigūravimo informacija.
- Palieskite **OK** (gerai), kad pamatytumėte „Jetdirect“ duomenis. Slinkite informacija, kol rasite IP adresą.

IP adreso priskyrimas neautomatiniu būdu

1. Palieskite **Administration** (administravimas), tada palieskite **Initial Setup** (pradinis nustatymas).
2. Palieskite **Networking and I/O** (tinklo ryšys ir įvestis/išvestis), tada palieskite **Embedded Jetdirect** (įdėtas „Jetdirect“).
3. Palieskite **TCP/IP**, tada palieskite **IPv4 Settings** (IPv4 parametrai) (pvz., http://192.168.1.1) arba **IPv6** (pvz., http://[2001:0ba0:0000.0000.0000.0000:1234]).
4. Palieskite **Config Method** (konfigūravimo metodas).

5. Palieskite **Manual** (neautomatinis), tada palieskite **Save** (įrašyti).
6. Palieskite **Manual settings** (neautomatiniai parametrai).
7. Palieskite **IP address** (IP adresas). Palieskite IP adreso lauką, tada įveskite IP adresą.
8. Palieskite **OK** (gerai).

Įrenginio konfigūravimas

Prieš konfigūruodami žinokite šią informaciją:

- Paprastųjų pašto siuntų protokolo (SMTP) el. pašto serverio, kuris siųs el. laiškus iš skaitmeninio siuntiklio, pagrindinio kompiuterio pavadinimą arba IP adresą
- „Lightweight Directory Access Protocol“ (LDAP) serverio, kuris nuskaitys el. pašto adresus, pagrindinio kompiuterio pavadinimas arba IP adresas (pasirinktinai)
- Pageidaujamo aplanko maršrutus siunčiamų pranešimų aplanko funkcijai
- Skaitmeninio siuntiklio pagrindinio kompiuterio pavadinimą arba IP adresą

Konfigūravimo ekranuose naršyti naudokite šiuos klaviatūros klavišus.

- Paspauskite **Escape** klavišą, jei norite grįžti į ankstesnį ekraną.
- Paspauskite **Tab** klavišą, jei norite perkelti žymeklį į kitą lauką.

Įdėtojo žiniatinklio serverio (EWS) įdiegimas ir konfigūravimas

Įdiekite ir konfigūruokite EWS, kad prieitumėte prie šių priemonių:

- | | |
|--------------|---|
| • El. pašto | • Kerberos autentifikavimo |
| • Aplanko | • LDAP autentifikavimo |
| • Adresavimo | • 1 grupės/2 grupės PIN autentifikavimo |

1. Atidarykite žiniatinklio naršyklę ir įveskite IP adresą.
2. Pasirinkite skirtuką **Digital Sending** (skaitmeninis siuntimas) ir užpildykite informaciją **General Settings** (bendrieji parametrai).
3. Pasirinkite **E-mail Settings** (el. pašto parametrai), tada įveskite SMTP serverio adresą.

Jei naudojate „Internet Service Provider“ (internetinių paslaugų tiekėju) (ISP), gali tekti su juo susisiekti dėl prieigos ir el. žinučių siuntimo, kad gautumėte SMTP serverio pavadinimą ir nustatytumėte, ar jums reikia įvesti vartotojo vardą ir slaptažodį SMTP autentifikuoti.

4. Pasirinkite **E-mail Address Book** (el. pašto adresų knygelė), jei norite įvesti dažnai naudojamus el. pašto adresus ir paskirstymo el. paštu sąrašus. **Fax Address Book** (fakso numerių knygelė) ir **Fax Speed Dials** (sparčiojo fakso numerių rinkimo sąrašas) yra kairiojoje naršymo srityje.
5. Pasirinkite **Send To Folder** (siųsti į aplanką), jei norite nustatyti vieną ar daugiau nuskaitytų dokumentų paskirties vietos aplankų.

Skaitmeninio siuntiklio programinės įrangos (DSS) diegimas ir konfigūravimas

Įdiekite ir konfigūruokite skaitmeninio siuntiklio programinę įrangą (pasirinktinai), jei norite prieiti prie šių priemonių:

-
- Darbo eigos
 - OCR
 - „Lanfax“
 - „Windows“ autentifikavimo
 - „Lanfax“ autentifikavimo
 - „Netware“ autentifikavimo
-



Patarimas Jei jau įdiegta ankstesnė HP DSS versija, diegdami naujesnį įrenginį sutaupykite laiko ir nukopijuokite parametrus naudodami priemonę **copy settings** (kopijuoti parametrus), kuri yra šaknelėje **MFP configuration** (MFP konfigūravimas).

Norint sėkmingai užbaigti programinės įrangos diegimo procesą, skaitmeninis siuntiklis turi būti įjungtas ir prisijungęs prie tinklo.

Įdiekite programinę įrangą serveryje, kuris palaikys HP skaitmeninio siuntimo programinės įrangos (HP DSS) paslaugą. Įdiegus, HP DSS veikia fone kaip paslauga ir, paleidus serverį iš naujo, paleidžiama automatiškai.

Įrenginio įdiegimo patikrinimas

Patikrinkite įdiegimą ir konfigūravimą naudodami valdymo skydo ekrane esančias pasirinktis **E-Mail** (el. paštas) ir **Network Folder** (tinklo aplankas).

1. Padėkite dokumentą į ADF viršutinę pusę arba apatinę pusę ant planšetinio skaitytuvo stiklo.
2. Palieskite **E-Mail** (el. paštas).
3. Jeigu būsite paraginti, įveskite vartotojo vardą ir slaptažodį.
4. Jei nebūsate paragintas registruotis, palieskite **From:** (Nuo:) ir įveskite el. pašto adresą.
5. Palieskite **To:** (Kam:) ir įveskite tą patį el. pašto adresą.
6. Palieskite **OK** (gerai), tada paspauskite **Start** (pradėti). Įrenginys nuskaitys dokumentą ir išsiunčia jums, kaip el. pašto priedą.
7. Pakartokite procesą naudodami pasirinktį **Network Folder** (tinklo aplankas) ir patikrinkite, ar failas išsiųstas į teisingą aplanką.

Sėkmingas bandymas rodo, kad įrenginys nuskaitys ir išsiųs dokumentus į sukonfigūruotą el. pašto adresu arba į aplanką.

Jei įrenginiui nepavyksta tinkamai išsiųsti rinkmenos, patikrinkite įrenginio įdiegimą ir sąranką.

Kur ieškoti daugiau informacijos

Priemonė	Aprašymas	Daugiau informacijos ieškokite
Nuskaityti į el. laišką	Nuskaityti dokumentą ir siųsti jį el. pašto adresu	EWS vartotojo vadovas
Nuskaityti į aplanką	Nuskaityti dokumentą į vieną ar daugiau tinklo aplankų	
El. pašto ir fakso adresų knygelė	Įvesti vardus, el. pašto adresus ir fakso numerius	
Naudoti PIN autentifikavimą	Norint naudoti įrenginį, reikalauja autorizacijos	
LDAP adresavimas	Ieškoti LDAP kataloge vardų ir el. pašto adresų	
LDAP autentifikavimas		
Kerberos autentifikavimas	Norint naudoti kai kurias priemones, reikalauja vartotojo autentifikavimo	
DSS LANFax	Nukreipti fakso užduotis per esamą LANFax infrastruktūrą	DSS palaikymo vadovas
DSS aplankas Siųsti į	Nuskaityti dokumentą į vieną ar daugiau tinklo aplankų.	
DSS darbo eiga	Fiksuoti informaciją apie nuskaitytus dokumentus; nukreipti dokumentus į kitas programas	
„DSS Windows“ susitartas autentifikavimas		
DSS LDAP autentifikavimas	Norint naudoti kai kurias priemones, reikalauja vartotojo autentifikavimo	

Trikčių diagnostika ir techninė priežiūra

Trikčių diagnostika

Problema	Atliekamas veiksmas
Skaitmeninis siuntiklis nenuskaito ir negali užbaigti užduoties. Rodoma klaida Please try again (bandykite dar kartą).	<ul style="list-style-type: none">• Vis dar užrakintas skaitytuvo galvos užraktas. Atrakinkite jį. Žr. Skaitytuvo atrakinimas.
Mygtukas Find Servers (rasti serverius) el. pašto parametrų ekrane nerado jokio serverio.	<ul style="list-style-type: none">• Patikrinkite, ar tinkle veikia SMTP serveris.• Spustelėkite mygtuką Add... (pridėti), esantį ekrane E-Mail Settings (el. pašto parametrai), ir įveskite SMTP serverio pagrindinio kompiuterio pavadinimą arba IP adresą. Įvedę adresą, spustelėkite mygtuką Test (bandymas), kad patikrintumėte, ar programinė įranga gali susisiekti su serveriu.• Jei serverio bandymas nesėkmingas, kreipkitės į tinklo administratorių, kad padėtų pašalinti ryšio su serveriu triktį.• Jei turite kitą skaitmeninį siuntiklį arba MFP, kuris naudoja HP DSS paslaugą, HP MFP DSS konfigūravimo priemonės skirtuke MFP Configuration (MFP konfigūravimas) naudokite mygtuką Copy Settings (kopijuoti parametrus), kad nukopijuotumėte parametrus iš teisingai konfigūruoto įrenginio, tada naudokite mygtuką Paste Settings (įklijuoti parametrus), kad taikytumėte šiuos parametrus skaitmeniniame siuntiklyje.
Mygtukas Find Servers (rasti serverius) autentifikavimo parametrų ekrane nerado jokio serverio.	<ul style="list-style-type: none">• Patikrinkite, ar tinkle veikia LDAP serveris.• Teksto lange LDAP Server (LDAP serveris) įveskite LDAP serverio pagrindinio kompiuterio pavadinimą arba IP adresą. Įvedę adresą, palieskite Find Settings (rasti parametrus), kad nuskaitytumėte serverio parametrus. Tada palieskite Test (bandyti), kad patikrintumėte, ar programinė įranga gali susisiekti su serveriu.• Jei serverio bandymas nesėkmingas, kreipkitės į tinklo administratorių, kad padėtų pašalinti ryšio su serveriu triktį.• Jei yra kitas skaitmeninis siuntiklis arba MFP, kuris naudoja HP DSS paslaugą, HP MFP DSS konfigūravimo priemonės skirtuke MFP Configuration (MFP konfigūravimas) naudokite mygtuką Copy Settings (kopijuoti parametrus), kad nukopijuotumėte parametrus iš teisingai konfigūruoto įrenginio, tada naudokite mygtuką Paste Settings (įklijuoti parametrus), kad taikytumėte šiuos parametrus skaitmeniniame siuntiklyje.
Skaitmeninis siuntiklis neveikia.	<ul style="list-style-type: none">• Patikrinkite, ar maitinimo kabelis gerai įjungtas į įrenginį ir sieninį elektros lizdą.• Patikrinkite, ar įjungtas prietaisas.• Išvalykite klaidos pranešimus valdymo skydo ekrane.• Patikrinkite, ar įrenginyje gerai įjungtas tinklo kabelis.• Patikrinkite, ar dega vienas iš dviejų šviesos diodų virš įrenginio tinklo prievado.
Nuskaityti puslapiai yra tušti arba vaizdas juose kartojasi.	<ul style="list-style-type: none">• Patikrinkite, ar puslapis jau padėtas ant stiklo.
Prasta atvaizdo kokybė.	<ul style="list-style-type: none">• Patikrinkite, ar dokumentas, kurį bandote siųsti, teisingai padėtas ADF (viršutine puse) arba ant stiklo (apatine puse).• Pabandykite pakeisti kai kuriuos nuskaitymo parametrus, pavyzdžiui, skyrą arba failo tipą, kad pagerintumėte atvaizdo kokybę.

Problema	Atliekamas veiksmas
ADF tiekia kelis lapus, pakreipia lapus arba lapai dažnai užstringa.	<ul style="list-style-type: none"> Nustatykite reguliatorius taip, kad jie priglustų prie popieriaus krūvos, bet jos nesulenktų. Patikrinkite, ar neperkrautas ADF įvesties dėklas arba išvesties dėtuve. Kiekviename dėkle telpa daugiausia 50 puslapių, bet gali būti ir mažiau, kai naudojamos tam tikros spausdinimo medžiagos. Patikrinkite, ar ADF dėkle popierius sudėtas statmenai ir lygiai. Jei originalas anksčiau buvo susegtas arba perdurtas perforatoriumi, įsitikinkite, kad puslapiai nesulipę. Patikrinkite, ar įdėtos spausdinimo medžiagos tipas atitinka reikalaujamą specifikaciją. Daugiau apie spausdinimo medžiagos specifikacijas ieškokite <i>HP 9250C skaitmeninio siuntiklio vartotojo vadove</i>.
Perduodamas el. laiškas neatkeliauja paskirties vietos el. pašto adresu.	<ul style="list-style-type: none"> Jei el. pašto adresas buvo įvestas neautomatiniu būdu, siųskite el. laišką dar kartą. Įveskite el. pašto adresą iš naujo ir patikrinkite, ar naudojamas teisingas formatas (be tarpų, būtinas simbolis @, būtinas taškas) tiek To: (Kam:), tiek From: (Nuo:) teksto languose. Siųskite el. laišką dar kartą. Įveskite pavadinimą teisingu formatu lauke From: (Nuo:) taip, kad pranešimas nebūtų atmetas ir galėtumėte gauti pranešimą atgal, jei el. laiško perduoti nepavyktų. Tinklo administratorius turėtų patikrinti, ar pašto serveryje aktyvi parinktis „SMTP Relay“ (SMTP serveris), kad būtų galima siųsti el. laiškus įmonei nepriklausantiems adresatams. Paprašykite, kad tinklo administratorius patikrintų, ar veikia SMTP serveris.
Į aplanką siunčiamas dokumentas nepasiekia paskirties vietos aplanko.	<ul style="list-style-type: none"> Siųskite dokumentą iš naujo. Patikrinkite, ar failo pavadinimas nebuvo keistas, kad pašalintumėte dubliuoto failo pavadinimo klaidą.
Siunčiamo puslapio apačia nukerpama.	<ul style="list-style-type: none"> Jei dokumentas buvo siųstas nuo stiklo, dokumento puslapis gali būti per ilgas. Ilgiausias nuo stiklo leidžiamas nuskaityti dokumentas gali būti A4 formato arba 210 x 297 mm (8.27 x 11.69 colių).
Valdymo skyde naudojama neteisinga kalba.	<ul style="list-style-type: none"> Teisingai kalbai nustatyti naudokite valdymo skydo meniu. Žr. Kalbos parametrai.

Techninė priežiūra

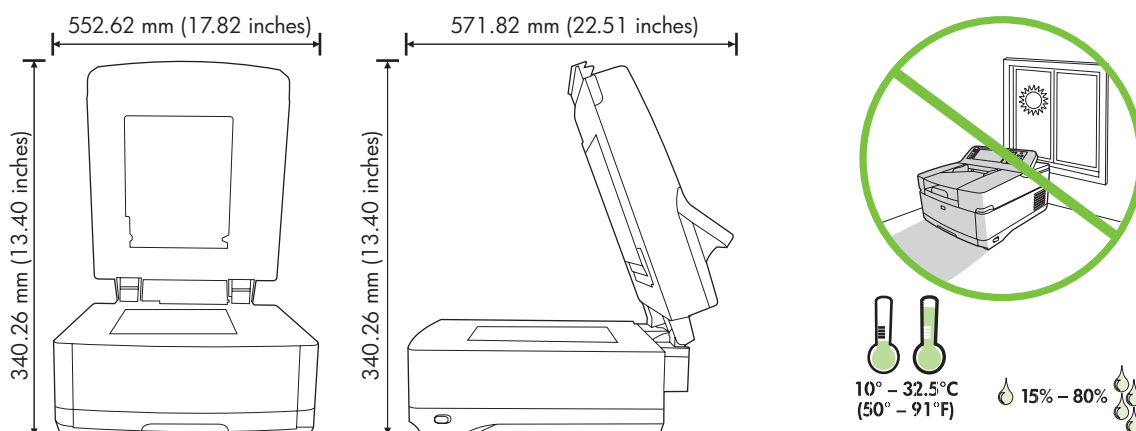
Žr. *HP 9250C Digital Sender User Guide* (HP 9250C skaitmeninio siuntiklio vartotojo vadovas) kompaktiniame diske. Informacijos apie HP techninę priežiūrą, ieškokite priežiūros skrajutėje, kuri buvo pridėta prie įrenginio, arba apsilankykite www.hp.com/support/9250c.

Ierīces uzstādīšana un iestatīšana

Uzstādīšanas vide

Uzstādīšanas vietas sagatavošana

Ierīces uzstādīšanai izvēlieties labi vēdināmu vietu, kur nav putekļu. Novietojiet ierīci uz stabilas virsmas.



Sistēmas tehniskie parametri

Lai instalētu digitālo sūtitāju HP 9250C, datora sistēmai ir jābūt aprīkotai šādi:

- Fast Ethernet 100Base-TX vai Ethernet 10Base-T
- Piekļuve SMTP e-pasta vārtejai

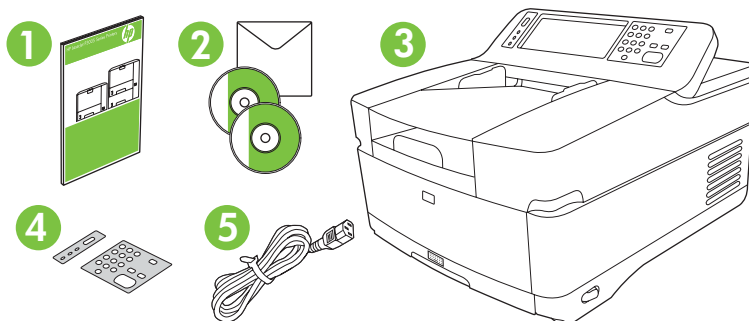


Piezīme: HP *joti iesaka* SMTP vārteju izveidot lokālajā tīklā. Taču ierīcei var konfigurēt e-pasta funkcionalitāti arī tad, ja pasta pakalpojumus sniedz ārējs interneta pakalpojumu sniedzējs (ISP), izmantojot digitālās abonēšanas līniju (DSL).

Ierīces sastāvdaļas

Ierīces izpakošana

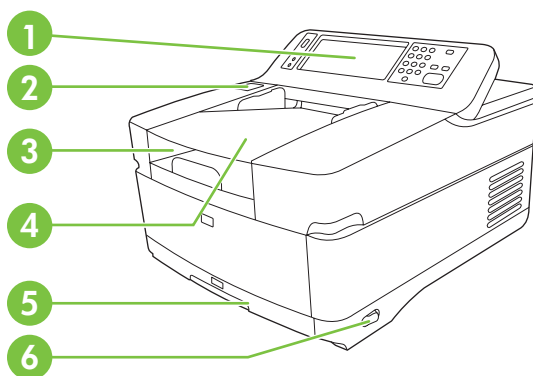
Noņemiet visu transportēšanas iepakojumu, lenti un iepakojuma materiālu.



1	Lietošanas pamācība
2	Digitālā sūtītāja dokumentācija un HP DSS papildu programmatūra
3	Digitālais sūtītājs
4	Vadības paneļa pārsegi (ja tādi ir iekļauti komplektācijā)
5	Strāvas vads

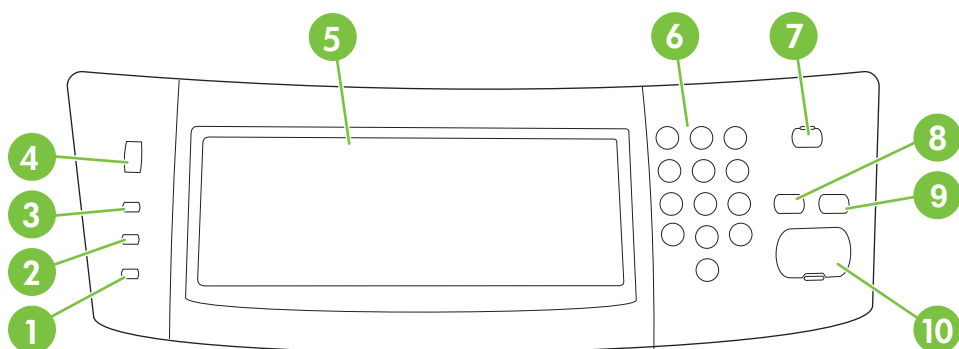
Ierīces daļu identificēšana

Ierīces priekšpuse



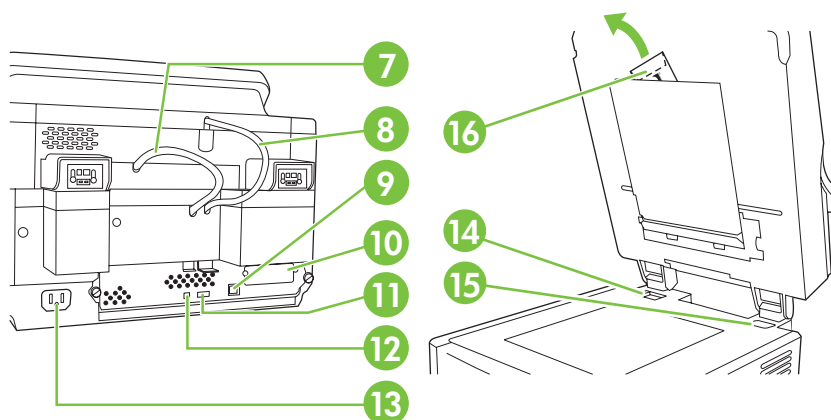
1. Vadības panelis	4. ADF ievades tekne
2. lestrēguša papīra svira	5. Tastatūra (izvelkama)
3. Izvades kaste	6. Ieslēgšanas/izslēgšanas slēdzis

Vadības panelis



- | | |
|--------------------------------------|--------------------------|
| 1. Uzmanības indikators | 6. Ciparu tastatūra |
| 2. Datu indikators | 7. Dīkstāves režīma poga |
| 3. Gatavības indikators | 8. Atiestates poga |
| 4. Spilgtuma regulēšanas disks | 9. Pārtraukšanas poga |
| 5. Skārienekrāna grafiskais displejs | 10. Sākšanas poga |

Ierīces aizmugure, aizslēgs un sērijas numurs



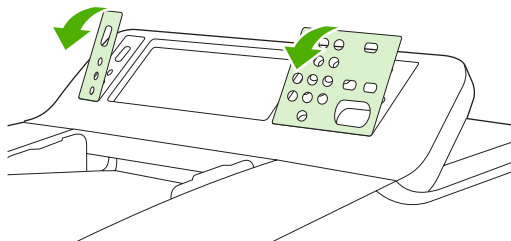
- | | |
|---|--|
| 7. ADF kabelis | 12. USB ierīces ports (ja nepieciešams programmaparatūras jauninājumiem) |
| 8. Vadības paneļa kabelis | 13. Strāvas savienotājs |
| 9. 10/100Base-T tīkla ports | 14. Skenera slēdzis |
| 10. EIO ports | 15. Sērijas numurs |
| 11. USB resursports (trešo pušu ražotiem piederumiem) | 16. Papildu mailāra loksnes |

Darba sākšana

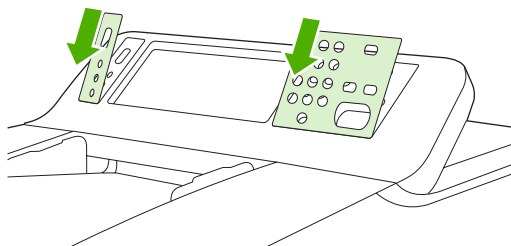
Vadības paneļa pārsegu mainīšana

Ja nepieciešams nomainīt vadības paneļa pārsegu, rīkojieties šādi.

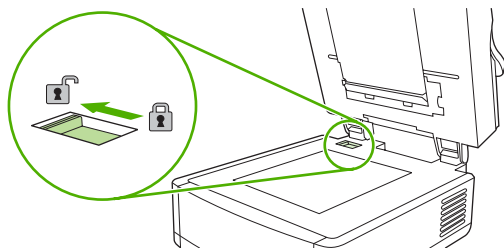
1. Augšmalas spraugā ievietojiet nelielu smailu priekšmetu. Paceliet augšmalu un noņemiet pārsegu no vadības paneļa.



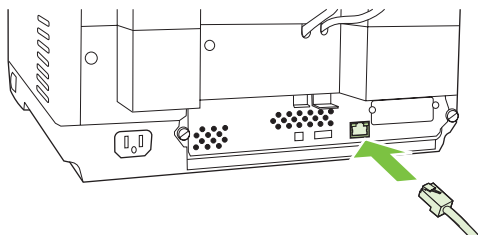
2. Novietojiet pārsegu tā, lai tas precīzi piegultu pogām. Vispirms iebīdīet apakšmalu un piespiežot nofiksējat uz vadības paneļa.



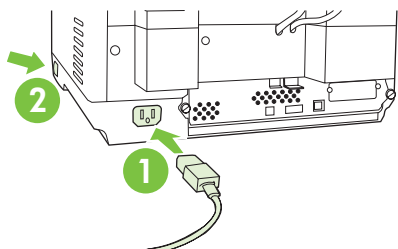
Skenera atslēgšana



Tīkla kabeļa pievienošana



Strāvas vada pievienošana



1. Pievienojiet strāvas vadu ierīcei un elektrības kontaktligzdai.
2. Ieslēdziet strāvas slēdzi un izpildiet vadības panelī redzamos norādījumus.

Vadības paneļa iestatījumu konfigurēšana

Galvenie noklusējuma iestatījumi

Valodas iestatījumi

Kad ierīce ir iesilusi, ziņojumi vadības panelī tiek rādīti angļu valodā. Valodu var nomainīt vienā no šiem diviem veidiem:

- Vajadzīgo valodu izvēlieties izvēlnē **Language** (Valoda) ierīces pirmās ieslēgšanas reizē. Valoda ir jāizvēlas 60 sekunžu laikā pēc izvēlnes parādīšanas.

vai

- Valodu nomainiet jebkurā brīdī no izvēlnes **Administration** (Administrēšana). Vispirms pieskarieties iestatījumam **Device Behavior** (Ierīces darbība), pieskarieties iespējai **Language** (Valoda), vajadzīgajai valodai un pēc tam pieskarieties komandai **Save** (Saglabāt).

Datuma un laika iestatījumi

Ja datuma un laika iestatījumi ir pareizi, pieskarieties komandai **Exit** (Iziet). Lai mainītu šos iestatījumus, pieskarieties komandai **OK**.

IP adreses piešķiršana

Ierīcei ir jāpiešķir derīga IP (interneta protokols) adrese lietošanai tīklā. Ja tīklā tiek izmantots protokols DHCP (dynamic host configuration protocol — dinamiskais resursdatora konfigurācijas protokols), IP var tikt piešķirta automātiski. Digitālajā sūtītājā DHCP ir noklusējuma iestatījums. Ja DHCP netiek izmantots, IP adrese ir jāpiešķir manuāli.

Automātiski piešķirtās DHCP IP adreses atrašana

Sākumekrānā pieskarieties iestatījumam **Network Address** (Tīkla adrese). Ekrānā Network Address tiek parādīta IP adrese.

Ja netiek parādīta poga **Network Address** (Tīkla adrese), atrodiat IP adresi:

- Pieskarieties iestatījumam **Administration** (Administrēšana) un pēc tam iestatījumam **Information** (Informācija).
- Pieskarieties iestatījumam **Configuration/Status Pages** (Konfigurācijas/Statusa lapa) un pēc tam — **Configuration Page** (Konfigurācijas lapa).
- Pieskarieties komandai **Show** (Rādīt). Tiek parādīta informācija par digitālā sūtītāja konfigurāciju.
- Lai apskatītu Jetdirect datu, pieskarieties komandai **OK**. Ritinot informāciju, atrodiat IP adresi.

Manuāla IP adreses piešķiršana

1. Pieskarieties iestatījumam **Administration** (Administrēšana) un pēc tam iestatījumam **Initial Setup** (Sākotnējā iestatīšana).
2. Pieskarieties iestatījumam **Networking and I/O** (Tīkli un ievadizvade) un pēc tam pieskarieties iestatījumam **Embedded Jetdirect** (Iebūvētais JetDirect).

3. Pieskarieties iestatījumam **TCP/IP** un pēc tam pieskarieties iestatījumam **IPv4 Settings** (IPv4 iestatījumi) (piem., <http://192.168.1.1>) vai **IPv6** (piem., [http://\[2001:0ba0:0000.0000.0000.0000.0000:1234\]](http://[2001:0ba0:0000.0000.0000.0000.0000:1234])).
4. Pieskarieties iestatījumam **Config Method** (Konfigurācijas metode).
5. Pieskarieties iestatījumam **Manual** (Manuāli) un pēc tam komandai **save** (Saglabāt).
6. Pieskarieties iestatījumam **Manual settings** (Manuālie iestatījumi).
7. Pieskarieties iestatījumam **IP address** (IP adrese). Pieskarieties IP adreses laukam un pēc tam ievadiet IP adresi.
8. Pieskarieties komandai **OK**.

Ierīces konfigurēšana

Pirms konfigurēšanas noskaidrojiet šādu informāciju:

- Tā SMTP (simple mail transfer protocol — vienkāršā pasta pārsūtīšanas protokols) e-pasta servera resursdatora nosaukumu vai IP adresi, kurš sūtīs e-pasta ziņojumus no digitālā sūtītāja
- Tā LDAP (Lightweight Directory Access Protocol — direktoriju vieglpiekļuves protokols) e-pasta servera resursdatora nosaukumu vai IP adresi, kurš iegūs e-pasta adreses (nav obligāti jāzina)
- Vēlamos mapju ceļus līdzeklim, kurš sūtīšanu veic uz mapi
- Digitālā sūtītāja resursdatora nosaukumu vai IP adresi

Lai būtu vieglāk pārvietoties pa konfigurācijas ekrāniem, izmantojiet šādus tastatūras taustiņus.

- Nospiediet taustiņu **Escape**, lai atgrieztos iepriekšējā ekrānā.
- Nospiediet taustiņu **Tab**, lai pārvietotu kursoru uz nākamo lauku.

EWS (Embedded Web Server — iebūvētais Web serveris) instalēšana un konfigurēšana

Instalējiet un konfigurējiet EWS, lai piekļūtu šādām funkcijām:

- | | |
|--------------|---|
| • E-pasts | • Kerberos autentifikācija |
| • Mape | • LDAP autentifikācija |
| • Adresēšana | • 1. grupas/2. grupas PIN autentifikācija |

1. Atveriet Web pārlūkprogrammu un ievadiet ierīces IP adresi.
2. Izvēlieties cilni **Digital Sending** (Digitālā sūtīšana) un aizpildiet informāciju **General Settings** (Vispārīgie iestatījumi).
3. Izvēlieties **E-mail Settings** (E-pasta iestatījumi) un ievadiet SMTP servera adresi.

Ja internetam piekļūstat un e-pastu lietojat, izmantojot ISP (Internet Service Provider — interneta pakalpojumu sniedzējs), iespējams, ir jāsazinās ar ISP, lai uzzinātu jūsu SMTP servera nosaukumu un noteiktu, vai SMTP autentifikācijas nolūkā ir jāievada konta nosaukums un parole.

4. Lai ievadītu bieži izmantotas e-pasta adreses un e-pasta adresātu sarakstus, izvēlieties iespēju **E-mail Address Book** (E-pasta adrešu grāmata). Funkcija **Fax Address Book** (Faksa adrešu grāmata) un **Fax Speed Dials** (Faksa ātrā numuru sastādīšana) atrodas kreisajā navigācijas apgabalā.
5. Izvēlieties funkciju **Send To Folder** (Sūtīt uz mapi), lai iestatītu vienu vai vairākas mapes skenētajiem dokumentiem.

DSS (digital sending software — digitālās sūtīšanas programmatūra) instalēšana un konfigurēšana

Instalējiet un konfigurējiet digitālās sūtīšanas programmatūru (pēc izvēles), lai piekļūtu šādām funkcijām:

-
- Darbplūsma
 - OCR (Optiskā rakstzīmju atpazīšana)
 - Lanfax
 - Windows autentifikācija
 - Lanfax autentifikācija
 - Netware autentifikācija
-



Padoms Ja ir instalēta HP DSS iepriekšējā versija, instalējot jaunākas ierīces versiju, var ietaupīt laiku, ja izmanto funkciju **copy settings** (kopēt iestatījumus), kas atrodas cilnē **MFP configuration** (MFP konfigurācija).

Lai sekmīgi izpildītu programmatūras instalēšanas procedūru, digitālajam sūtītājam ir jābūt ieslēgtam un savienotam ar tīklu.

Instalējiet programmatūru serverī, kas atbalsta HP Digital Sending Software (HP DSS) pakalpojumu. Pēc instalēšanas HP DSS darbojas fonā kā pakalpojums un startējas automātiski ikreiz, kad serveris tiek restartēts.

Ierīces instalācijas pārbaude

Pārbaudiet instalāciju un konfigurāciju, izmantojot vadības paneļa displejā piedāvātās iespējas **E-Mail** (E-pasts) un **Network Folder** (Tīkla mape).

1. Novietojiet dokumentu ar virspusi uz augšu ADF padevē vai ar virspusi uz leju uz stikla.
2. Pieskarieties iespējai **E-Mail** (E-pasts).
3. Ja tiek parādīts atbilstošs uzaicinājums, ievadiet lietotājvārdu un paroli.
4. Ja netiek rādīts aicinājums pieteikties, pieskarieties iestatījumam **From:** (No) un ievadiet e-pasta adresi.
5. Pieskarieties iestatījumam **To:** (Kam) un ievadiet to pašu e-pasta adresi.
6. Pieskarieties komandai **OK** un pēc tam nospiediet **Start** (Sākt). Ierīce skenē dokumentu un nosūta to jums kā e-pasta ziņojuma pielikumu.
7. Atkārtojiet šo procedūru, izmantojot iestatījumu **Network Folder** (Tīkla mape) un pārbaudiet, vai fails tiek nosūtīts uz pareizo mapi.

Pārbaude ir izdevusies, ja ierīce skenē un sūta dokumentus uz norādīto e-pasta adresi vai mapi.

Ja ierīce nepareizi nosūta failu, pārbaudiet ierīces instalāciju un konfigurāciju.

Papildinformācijas avoti

Funkcija	Apraksts	Papildinformācija
Scan to E-mail (Skenēšana uz e-pastu)	Dokuments tiek skenēts un nosūtīts uz e-pasta adresi	EWS lietotāja rokasgrāmata
Scan to Folder (Skenēšana uz mapi)	Dokuments tiek skenēts un ievietots vienā vai vairākās tīkla mapēs	
Address Book for E-mail and Fax (E-pasta un faksa adrešu grāmata)	Vārdu, e-pasta adrešu un faksa numuru saraksti	
User PIN Authentication (Lietotāja PIN koda autentifikācija)	Ierīces lietošanai nepieciešama autorizācija	
LDAP Addressing (LDAP adresēšana)	Vārdi un e-pasta adreses tiek meklētas LDAP direktoriņā	
LDAP Authentication (LDAP autentifikācija)	Lai lietu noteiktas funkcijas, nepieciešama lietotāja autentifikācija	
Kerberos Authentication (Kerberos autentifikācija)		
DSS LANFax	Faksa darbi tiek maršrutēti caur esošu LANFax infrastruktūru	DSS tehniskā atbalsta pamācība
DSS Send to Folder (DSS sūtīšana uz mapi)	Dokuments tiek skenēts un ievietots vienā vai vairākās tīkla mapēs.	
DSS Workflow (DSS darbplūsma)	Tiek tvēta informācija par skenētajiem dokumentiem; dokumenti tiek maršrutēti uz citām lietojumprogrammām	
DSS Windows Negotiated Authentication (DSS Windows saskaņotā autentifikācija)	Lai lietu noteiktas funkcijas, nepieciešama lietotāja autentifikācija	
DSS LDAP Authentication (DSS LDAP autentifikācija)		

Problēmu novēršana un klientu atbalsts

Problēmu novēršana

Problēma	Rīcība
Digitālais sūtītājs neskenē un neizpilda darbu. Tiek parādīts kļūdas ziņojums Please try again (Lūdzu, mēģiniet vēlreiz).	<ul style="list-style-type: none"> Skenera slēdzis ir slēgtajā pozīcijā. Pārslēdziet to uz atslēgto pozīciju. Sk. Skenera atslēgšana.
E-pasta iestatījumu ekrānā ar pogu Find Servers (Atrast serverus) netiek atrasts neviens serveris.	<ul style="list-style-type: none"> Pārlicinieties, vai tīklā ir funkcionējošs SMTP serveris. Ekrānā E-Mail Settings (E-pasta iestatījumi) noklikšķiniet uz pogas Add... (Pievienot) un ievadiet SMTP servera resursdatora nosaukumu vai IP adresi. Kad adrese ir ievadīta, noklikšķiniet uz pogas Test (Pārbaudīt), lai pārbaudītu, vai programmatūra var sazināties ar serveri. Ja servera pārbaude nav veiksmīga, sazinieties ar tīkla administratoru un lūdziet palīdzību atrisināt saziņas problēmas ar serveri. Ja jums ir vēl citi digitālie sūtītāji vai MFP ierīces, kas izmanto HP DSS pakalpojumu, izmantojiet HP MFP DSS konfigurācijas utilitātes cilnes MFP Configuration (MFP konfigurācija) pogu Copy Settings (Kopēt iestatījumus), lai kopētu iestatījumus no pareizi funkcionējošas ierīces, un pēc tam ar pogu Paste Settings (Ielīmēt iestatījumus) ievietojiet šos iestatījumus digitālajā sūtītājā.
Autentifikācijas iestatījumu ekrānā ar pogu Find Servers (Atrast serverus) netiek atrasts neviens serveris.	<ul style="list-style-type: none"> Pārlicinieties, vai tīklā ir funkcionējošs LDAP serveris. Tekstlodziņā LDAP Server (LDAP serveris) ievadiet LDAP servera resursdatora nosaukumu vai IP adresi. Kad adrese ir ievadīta, pieskarieties komandai Find Settings (Atrast iestatījumus), lai ielādētu servera iestatījumus. Pēc tam pieskarieties komandai Test (Pārbaudīt), lai pārlicinātos, vai programmatūra var sazināties ar serveri. Ja servera pārbaude nav veiksmīga, sazinieties ar tīkla administratoru un lūdziet palīdzību atrisināt saziņas problēmas ar serveri. Ja jums ir vēl citi digitālie sūtītāji vai MFP ierīces, kas izmanto HP DSS pakalpojumu, izmantojiet HP MFP DSS konfigurācijas utilitātes cilnes MFP Configuration (MFP konfigurācija) pogu Copy Settings (Kopēt iestatījumus), lai kopētu iestatījumus no pareizi funkcionējošas ierīces, un pēc tam ar pogu Paste Settings (Ielīmēt iestatījumus) ievietojiet šos iestatījumus digitālajā sūtītājā.
Digitālais sūtītājs nestrādā.	<ul style="list-style-type: none"> Pārlicinieties, vai strāvas vads ir cieši piestiprināts ierīcei un vai tas ir pievienots strāvas kontaktligzdai. Pārbaudiet, vai ierīce ir ieslēgta. Notīriet kļūdu ziņojumus, kas tiek rādīti vadības paneļa displejā. Pārlicinieties, vai tīkla kabelis ir cieši savienots ar ierīci. Pārlicinieties, vai deg divi zaļie indikatori virs ierīces tīkla porta.
Skenētās lapas ir tukšas vai ar atkārtotiem rakstiem.	<ul style="list-style-type: none"> Pārbaudiet, vai uz stikla jau nav kāda lapa.
Attēla kvalitāte ir slikta.	<ul style="list-style-type: none"> Pārlicinieties, vai dokuments, kuru mēģināt nosūtīt, ir pareizi novietots ADF padevē (ar virspusi uz augšu) vai uz stikla (ar virspusi uz leju). Lai uzlabotu attēlu kvalitāti, mēģiniet mainīt skenēšanas iestatījumus, piemēram, izšķirtspēju vai faila tipu.

Problēma	Rīcība
ADF padeve ievēl vairākas lapas uzreiz, lapas tiek sašķiebtas vai bieži iestrēgst.	<ul style="list-style-type: none"> Noregulējiet vadotnes tā, lai tās piegultu papīram, bet to neielocītu. Pārbaudiet, vai ADF ievades tekne vai izvades kaste nav pārāk pilna. Katrā no tām nedrīkst būt vairāk par 50 lapām, taču šis skaits var būt mazāks, ja tiek lietots īpašs apdruckas materiāls. Pārliecinieties, vai papīrs ADF padevē ir salikts taisni. Ja oriģināls ir bijis sastiprināts ar skavām vai caurumots, pārbaudiet, vai lapas nav salīpušas kopā. Pārliecinieties, vai izmantotais apdruckas materiāls atbilst prasītajiem parametriem. Apdruckas materiālu tehniskos parametrus sk. rokasgrāmatā <i>HP 9250C Digital Sender User Guide</i>.
E-pasta sūtījums nav nonācis paredzētajā e-pasta adresē.	<ul style="list-style-type: none"> Ja e-pasta adrese tika ievadīta manuāli, e-pasta ziņojumu nosūtiet vēlreiz. Vēlreiz ievadiet e-pasta adresi un pārbaudiet, vai tiek lietots pareizais formāts (bez atstarpēm, zīme @, punkts) abos tekstlodziņos: gan To: (Kam), gan From: (No). Vēlreiz nosūtiet e-pastu. Laukā From: (No) ievadiet vārdu pareizajā formātā, lai ziņojums netiktu noraidīts un jūs saņemtu to atpakaļ, ja pārsūtīšana neizdodas. Lūdziet tīkla administratoram pārbaudīt, vai pasta serverī ir aktivizēts SMTP relejs, lai ļautu veikt sūtīšanu uz e-pasta adresēm ārpus jūsu uzņēmuma. Lūdziet, lai tīkla administrators pārbauda, vai SMTP serveris darbojas.
Uz mapi nosūtīts dokuments tur nenonāca.	<ul style="list-style-type: none"> Nosūtiet vēlreiz dokumentu. Pārbaudiet, vai faila nosaukums nav ticis modificēts, lai atrisinātu dubulta faila nosaukuma kļūdu.
Nosūtītas lapas apakšdaļa ir nogriezta.	<ul style="list-style-type: none"> Ja dokuments tika nosūtīts no stikla, iespējams, ka lapa ir pārāk gara. No stikla var skenēt dokumentus, kuru formāts ir A4 jeb 210x297 mm (8,27x11,69 collas).
Vadības panelī tiek rādīta neatbilstoša valoda.	<ul style="list-style-type: none"> Izmantojiet vadības paneļa izvēlni, lai iestatītu pareizo valodu. Sk. Valodas iestatījumi.

Klientu atbalsts

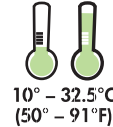
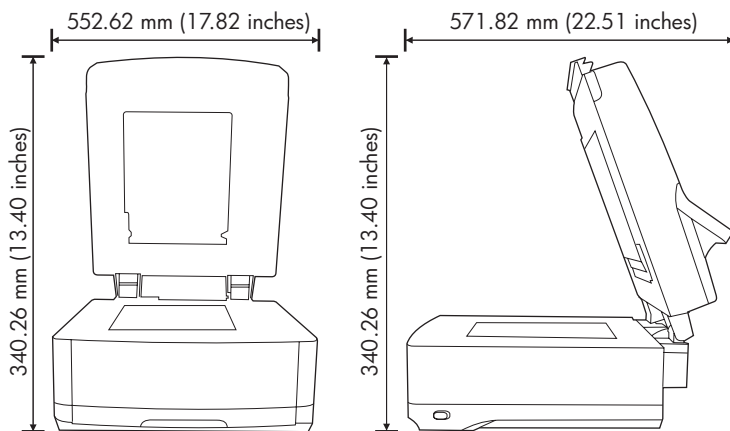
Skatiet rokasgrāmatu *HP 9250C Digital Sender User Guide* kompaktdiskā. HP Customer Care informāciju skatiet materiālā par atbalstu, ko saņēmt kopā ar ierīci, vai apmeklējiet www.hp.com/support/9250c.

Встановлення та настройка пристрою

Місце розміщення

Підготовка робочого місця

Для розміщення пристрою виберіть добре провітрюване й незаплене місце. Поставте пристрій на стійку поверхню.



Системні вимоги

Для встановлення цифрового передавача HP 9250C Digital Sender система комп'ютера має підтримувати такі функції:

- Fast Ethernet 100Base-TX або Ethernet 10Base-T
- Доступ до шлюзу SMTP електронної пошти

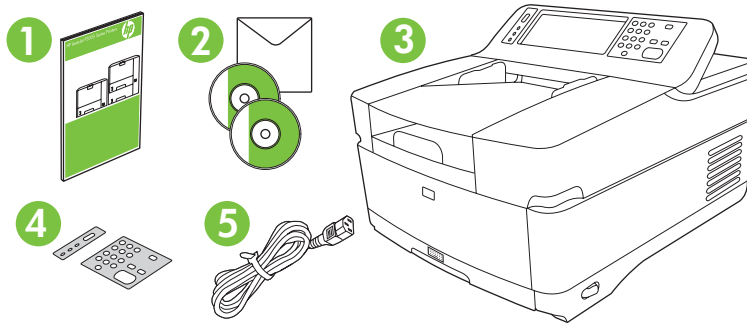


Примітка HP рекомендує встановлювати шлюз SMTP у власній локальній мережі. Проте, настроїти пристрій на роботу з електронною поштою можна навіть якщо поштові послуги надаються зовнішнім інтернет-провайдером (ISP) через цифрову абонентську лінію (DSL).

Складові пристрою

Розпакування пристрою

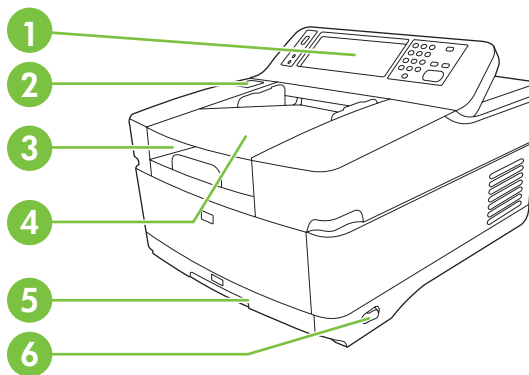
Видаліть транспортні мішки, плівку та інші пакувальні матеріали.



1	Посібник користувача
2	Документація цифрового передавача та додаткове програмне забезпечення HP DSS
3	Цифровий передавач
4	Накладки панелі керування (якщо входять у комплект)
5	Шнур живлення

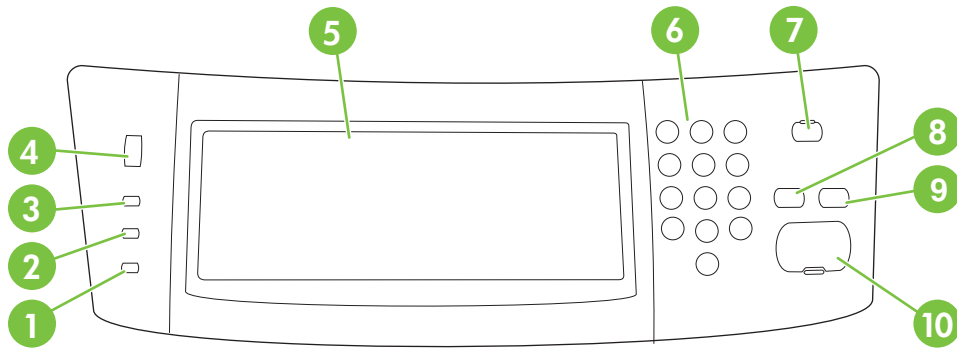
Визначення частин пристрою

Вигляд спереду



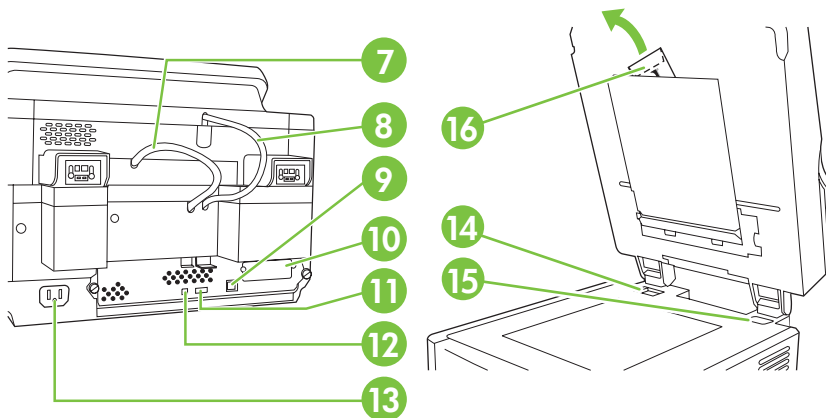
- | | |
|----------------------|--|
| 1. Панель керування | 4. Вхідний лоток пристрою автоматичного подавання документів |
| 2. Усунення змінання | 5. Клавіатура (потягніть на себе, щоб відкрити) |
| 3. Вихідний лоток | 6. Увімк./вимк. живлення |

Панель керування



- | | |
|------------------------------------|------------------------------------|
| 1. Індикатор Увага | 6. Цифрова клавіатура |
| 2. Індикатор Передача даних | 7. Кнопка Sleep (Режим очікування) |
| 3. Індикатор Готово | 8. Кнопка Reset (Скидання) |
| 4. Регулювання яскравості | 9. Кнопка Stop (Стоп) |
| 5. Графічний сенсорний дисплей | 10. Кнопка Start (Пуск) |

Вигляд ззаду, блокувальний пристрій та серійний номер



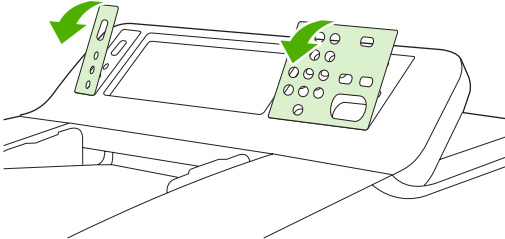
- | | |
|---|--|
| 7. Кабель пристрою автоматичного подавання документів | 12. USB-порт пристрою (для оновлення вбудованого програмного забезпечення) |
| 8. Кабель панелі керування | 13. Гніздо шнура живлення |
| 9. Мережевий порт 10/100Base-T | 14. Блокувальний пристрій сканера |
| 10. Порт EIO | 15. Серійний номер |
| 11. USB-порт сервера (для підключення додаткового обладнання) | 16. Додаткові майларові аркуші |

Початок роботи

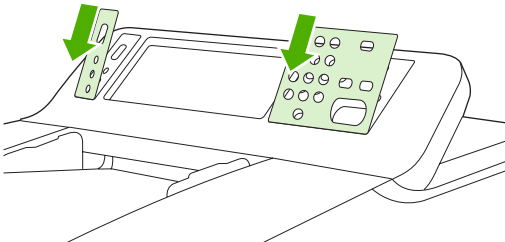
Змінення накладок панелі керування

У разі потреби скористайтеся цією процедурою для заміни накладки панелі керування.

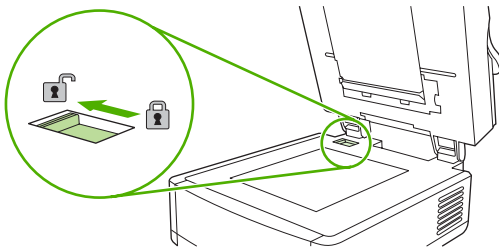
1. Вставте маленький плоский предмет в отвір з верхнього краю. Підніміть верхню частину накладки та потягніть, щоб зняти її з панелі керування.



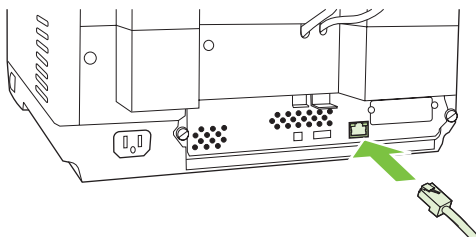
2. Розташуйте накладку так, щоб вона співпадала з кнопками. Вставте спочатку нижній край та закріпіть накладку на панелі керування



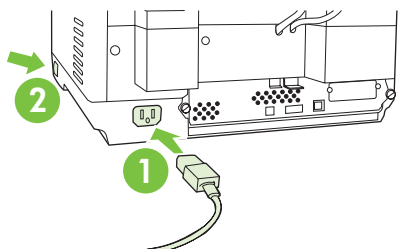
Розблокуйте сканер



Під'єднайте мережевий кабель



Підключіть шнур живлення



1. Підключіть шнур живлення до пристрою та до електророзетки.
2. Увімкніть живлення та дотримуйтесь інструкцій панелі керування.

Настройка параметрів панелі керування

Основні стандартні настройки

Вибір мови

Після прогрівання пристрою на панелі керування з'явиться повідомлення англійською. Змінити мову можна у два способи:

- Під час першого увімкнення пристрою виберіть потрібну мову в меню **Language** (Мова). Мову потрібно вибрати протягом 60 секунд після відображення меню.

або

- Змініть мову в будь-який час за допомогою меню **Administration** (Адміністрування). Спочатку виберіть **Device Behavior** (Настройка пристрою), потім **Language** (Мова), виберіть потрібну мову та натисніть **Save** (Зберегти).

Параметри дати й часу

Виберіть **Exit** (Вихід), якщо параметри дати й часу введені правильно. Натисніть **OK**, щоб змінити ці параметри.

Призначення IP-адреси

Пристрою в мережі має бути призначено дійсну IP-адресу (Internet Protocol). Якщо мережа використовує протокол динамічного конфігурування вузла (DHCP), IP-адреса може бути призначена автоматично. В цьому цифровому передавачі за замовчуванням встановлено протокол DHCP. Якщо протокол DHCP не використовується, призначте IP-адресу вручну.

Пошук IP-адреси DHCP, що призначається автоматично

У головному меню виберіть **Network Address** (Мережева адреса). IP-адреса відображається в меню Network Address (Мережева адреса).

Якщо кнопка **Network Address** (Мережева адреса) не відображається, знайдіть IP-адресу:

- Виберіть **Administration** (Адміністрування), потім виберіть **Information** (Інформація).
- Виберіть **Configuration/Status Pages** (Сторінки конфігурації/стану), потім виберіть **Configuration Page** (Сторінка конфігурації).
- Виберіть **Show** (Показати). Відобразяться дані конфігурації цифрового передавача.
- Щоб переглянути дані Jetdirect, натисніть **OK**. Перегляньте ці дані, щоб знайти IP-адресу.

Призначення IP-адреси вручну

1. Виберіть **Administration** (Адміністрування), потім виберіть **Initial Setup** (Початкові настройки).
2. Виберіть **Networking and I/O** (Мережа та введення/виведення), потім виберіть **Embedded Jetdirect** (Вбудований Jetdirect).
3. Виберіть **TCP/IP**, потім виберіть та введіть **IPv4 Settings** (Настройки IPv4) (наприклад, http://192.168.1.1) або **IPv6** (наприклад, http://[2001:0ba0:0000.0000.0000.0000:1234]).

4. Виберіть **Config Method** (Метод конфігурації).
5. Виберіть **Manual** (Вручну), потім виберіть **Save** (Зберегти).
6. Виберіть **Manual settings** (Ручні настройки).
7. Виберіть **IP address** (IP-адреса). Виберіть поле введення IP-адреси та введіть IP-адресу.
8. Натисніть **OK**.

Конфігурація пристрою

Перш ніж змінювати конфігурацію, з'ясуйте такі дані:

- Ім'я сервера або IP-адреса сервера SMTP електронної пошти, який надсилатиме електронну пошту з цифрового передавача
- Ім'я сервера або IP-адреса сервера LDAP, який одержуватиме адреси електронної пошти (опція)
- Потрібні шляхи до папок для функції надходження пошти до конкретної папки
- Ім'я сервера або IP-адреса цифрового передавача

Для переміщення в меню конфігурації скористайтеся вказаними нижче клавішами на клавіатурі.

- Натисніть клавішу **Escape** (Скасування) для повернення в попереднє меню.
- Натисніть клавішу **Tab** (Табуляція) для переміщення курсору до наступного поля.

Встановлення та конфігурація вбудованого веб-сервера (Embedded Web Server (EWS))

Встановіть та налаштуйте веб-сервер EWS, щоб отримати доступ до таких функцій:

- | | |
|--------------------|-------------------------------------|
| ● Електронна пошта | ● Ідентифікація Kerberos |
| ● Папка | ● Ідентифікація LDAP |
| ● Адресація | ● Ідентифікація PIN Групи 1/Групи 2 |

1. Відкрийте веб-браузер і введіть IP-адресу пристрою
2. Виберіть вкладку **Digital Sending** (Цифрова передача) та введіть потрібні дані у вікні **General Settings** (Загальні настройки).
3. Виберіть **E-mail Settings** (Настройки E-mail) та введіть адресу сервера SMTP.

Якщо використовуються послуги інтернет-провайдера для доступу до мережі Інтернет та електронної пошти, може виникнути потреба звернутися до нього, щоб отримати ім'я сервера SMTP та визначити, чи необхідно вводити ім'я облікового запису та пароль для ідентифікації на сервері SMTP.

4. Виберіть **E-mail Address Book** (Адресна книга електронної пошти), щоб ввести адреси електронної пошти та списки розсилки, які найчастіше використовуються. **Fax Address Book** (Адресна книга факсів) та **Fax Speed Dials** (Швидкі номери факсів) розташовані в навігаційному меню ліворуч.
5. Виберіть **Send To Folder** (Надіслати до папки), і вкажіть одну або декілька папок призначення для відсканованих документів.

Встановлення та конфігурація програмного забезпечення цифрової передачі (DSS)

Встановіть та налаштуйте програмне забезпечення цифрової передачі (опція), щоб отримати доступ до таких функцій:

-
- Автоматизація
 - Оптичне розпізнавання тексту
 - Lanfax
 - Ідентифікація Windows
 - Ідентифікація Lanfax
 - Ідентифікація Netware
-



Порада Якщо вже було встановлено попередню версію HP DSS, щоб заощадити час, скопіюйте настройки за допомогою функції **copy settings** (копіювання настройок) на вкладці **MFP configuration** (Конфігурація багатофункціонального пристрою) під час встановлення новішого пристрою.

Щоб процес інсталяції програмного забезпечення було завершено вдало, цифровий передавач має бути увімкненим та підключеним до мережі.

Встановіть програмне забезпечення на сервері, який підтримуватиме послугу HP Digital Sending Software (HP DSS). Після встановлення HP DSS працює у фоновому режимі як послуга та запускається автоматично щоразу, коли сервер перезавантажується.

Перевірка правильності встановлення пристрою

Перевірте правильність установок та конфігурації за допомогою параметрів **E-Mail** (Електронна пошта) та **Network Folder** (Мережева папка) на екрані панелі керування.

1. Розташуйте документ у пристрої автоматичного подавання документів лицьовою стороною догори або на планшеті лицьовою стороною донизу.
2. Виберіть **E-Mail** (Електронна пошта).
3. За потреби введіть ім'я користувача та пароль.
4. Якщо програма не запропонує увійти в систему, виберіть поле **From:** (Від:) і введіть адресу електронної пошти.
5. Виберіть поле **To:** (Кому:) та введіть ту ж саму адресу електронної пошти.
6. Натисніть кнопку **OK**, а потім **Start** (Пуск). Пристрій відсканує документ та надішле його вам як вкладення електронної пошти.
7. Повторіть цю процедуру за допомогою функції **Network Folder** (Мережева папка) та переконайтеся, що файл надходить до правильної папки.

Перевірка є вдалою, якщо пристрій сканує та надсилає документ на задану адресу електронної пошти або до папки.

Якщо документ не надсилає файл коректно, перевірте правильність встановлення та конфігурації.

Як отримати докладнішу інформацію

Функція	Опис	Докладніша інформація
Сканування для надсилання електронною поштою	Сканує та надсилає документ на будь-яку адресу електронної пошти	Довідник користувача вбудованого веб-сервера (EWS)
Сканування до папки	Сканує документ до однієї або кількох мережових папок	
Адресна книга електронної пошти та факсів	Зберігає імена, адреси електронної пошти та номери факсів	
Ідентифікація користувача PIN	Вимагає авторизації на використання пристрою	
Адресація LDAP	Здійснює пошук імен і адрес електронної пошти в каталозі LDAP	
Ідентифікація LDAP		
Ідентифікація Kerberos	Вимагає ідентифікації користувача для використання окремих функцій	
DSS LANFax	Направляє завдання з факсимільного зв'язку через існуючу інфраструктуру LANFax	Посібник користувача DSS
DSS Send to Folder (Надіслати до папки)	Сканує документ до однієї або кількох мережових папок.	
DSS Workflow (Автоматизація DSS)	Фіксує інформацію про відскановані документи; переносить документи до інших програм	
Договірні ідентифікація DSS Windows		
Ідентифікація DSS LDAP	Вимагає ідентифікації користувача для використання окремих функцій	

Усунення несправностей та підтримка користувачів

Усунення несправностей

Проблема	Усунення
Цифровий передавач не здійснює сканування та не може завершити завдання. Відображається повідомлення Please try again (Спробуйте ще).	<ul style="list-style-type: none">Блокувальний пристрій сканера все ще встановлено в положення «блоковано». Переключіть в положення «розблоковано». Див. Розблокуйте сканер.
Кнопка Find Servers (Пошук серверів) в меню E-Mail Settings (Настройки E-mail) не знаходить жодного сервера.	<ul style="list-style-type: none">Перевірте, чи є в мережі працюючий сервер SMTP.Натисніть кнопку Add... (Додати) в меню E-Mail Settings (Настройки E-mail) та введіть ім'я сервера або IP-адресу сервера SMTP. Після введення адреси натисніть кнопку Test (Тест), щоб перевірити контакт між програмним забезпеченням та сервером.Якщо перевірка сервера є невдалою, зверніться до адміністратора мережі по допомогу з усунення проблеми з'єднання із сервером.Якщо у вас є інші цифрові передавачі або багатофункціональні пристрої, що використовують послугу HP DSS, скористайтеся кнопкою Copy Settings (Копіювання настрійок) на вкладці MFP Configuration (Конфігурація багатофункціонального пристрою) службової програми HP MFP DSS Configuration Utility, щоб скопіювати настрійки пристрою, який працює коректно, а потім кнопкою Paste Settings (Вставлення настрійок), щоб застосувати ці настрійки на потрібному цифровому передавачі.
Кнопка Find Servers (Пошук серверів) в меню Authentication Settings (Настройки ідентифікації) не знаходить жодного сервера.	<ul style="list-style-type: none">Перевірте, чи є в мережі працюючий сервер LDAP.Введіть ім'я сервера або IP-адресу сервера LDAP у текстове поле LDAP Server (Сервер LDAP). Після введення адреси виберіть Find Settings (Пошук настрійок), щоб отримати настрійки сервера. Потім виберіть Test (Тест), щоб перевірити зв'язок між програмним забезпеченням і сервером.Якщо перевірка сервера є невдалою, зверніться до адміністратора мережі по допомогу з усунення проблеми з'єднання із сервером.Якщо у вас є інші цифрові передавачі або багатофункціональні пристрої, що використовують послугу HP DSS, скористайтеся кнопкою Copy Settings (Копіювання настрійок) на вкладці MFP Configuration (Конфігурація багатофункціонального пристрою) службової програми HP MFP DSS Configuration Utility, щоб скопіювати настрійки пристрою, який працює коректно, а потім кнопкою Paste Settings (Вставлення настрійок), щоб застосувати ці настрійки на потрібному цифровому передавачі.
Цифровий передавач не працює.	<ul style="list-style-type: none">Перевірте, чи під'єднано до пристрою шнур живлення та чи підключено шнур до розетки електромережі.Перевірте, чи увімкнено пристрій.Видаліть повідомлення про помилку на екрані панелі керування.Перевірте, чи надійно підключено до пристрою мережевий кабель.Перевірте, чи світиться один з двох зелених індикаторів над мережевим портом пристрою.
Відскановані сторінки пусті або мають повторювані фрагменти.	<ul style="list-style-type: none">Перевірте, чи сторінка не знаходиться вже на планшеті.

Проблема	Усунення
Якість зображення незадовільна.	<ul style="list-style-type: none"> • Переконайтеся, що документ, який надсилається, правильно розташовано у пристрої автоматичного подавання документів (лицьовою стороною догори) або на планшеті (лицьовою стороною донизу). • Спробуйте змінити деякі параметри сканування, наприклад, роздільну здатність або тип файлу, щоб покращити якість зображення.
До пристрою автоматичної подачі подається декілька сторінок, сторінки перекошуються або часто зминаються.	<ul style="list-style-type: none"> • Відрегулюйте направляючі таким чином, щоб вони зручно прилягали до паперу, але не згинали його. • Перевірте, чи не переповнені вхідний лоток пристрою автоматичної подачі та вихідний лоток. Кожен лоток здатен вмістити максимум 50 сторінок, але це число може бути меншим у разі використання певних типів носіїв. • Переконайтеся, що папір завантажено до пристрою рівно та прямо. • Якщо сторінки оригіналу були зшиті або скріплені, переконайтеся, що вони вже не тримаються одна одної. • Переконайтеся, що тип носія, що завантажується, відповідає належним параметрам. Щодо параметрів носіїв див. <i>посібник користувача цифрового передавача HP 9250C</i>.
Повідомлення електронної пошти не надійшло до адресата.	<ul style="list-style-type: none"> • Якщо адресу електронної пошти було введено вручну, повторіть надсилання повідомлення. Повторно введіть адресу електронної пошти та перевірте правильність використаного формату (без пробілів, обов'язково зі знаком @, необхідна крапка) у текстових полях To: (Кому:) та From: (Від:). • Повторіть надсилання електронної пошти. Введіть ім'я у правильному форматі в поле From: (Від:), щоб повідомлення не було відхилено та ви отримали відповідь, якщо передача повідомлення виявиться невдалою. • Адміністратор мережі повинен перевірити, чи увімкнено на поштовому сервері функцію SMTP Relay (передавання даних через сервер SMTP), що дасть змогу надсилати електронну пошту на адреси за межами вашої компанії. • Адміністратор мережі також повинен перевірити, чи працює сервер SMTP.
Документ, надісланий до папки, не надійшов до папки призначення.	<ul style="list-style-type: none"> • Повторіть надсилання документа. • Перевірте, чи не було змінено ім'я файлу для усунення помилки повторення імен файлів.
Відрізано нижню частину сторінки, що надсилається.	<ul style="list-style-type: none"> • Якщо документ, що надсилається, розташовано на планшеті, сторінка може виявитися задовою. Максимальною довжиною документів, що скануються з планшета є А4 бо 210 x 297 мм (8.27 x 11.69 дюймів).
Панель керування відображає інформацію іншою мовою.	<ul style="list-style-type: none"> • За допомогою меню панелі керування встановіть потрібну мову. Див. Вибір мови.

Підтримка користувачів

Див. *посібник користувача цифрового передавача HP 9250C* на компакт-диску. Щодо сервісної підтримки продукції HP, див. листівку, яка додавалася до пристрою, або відвідайте веб-сторінку за адресою www.hp.com/support/9250c.

זכויות יוצרים ורישיון

© 2007 Copyright Hewlett-Packard
Development Company, LP

שכפול, התאמה או תרגום ללא הרשאה מראש
ובכתב אסורים, אלא כפי שמתיר זאת החוק לעניין
זכויות יוצרים.

המידע הכלול במסמך זה נתון לשינוי ללא הודעה
מראש.

האחריות הבלעדית למוצרים ולשירותים של HP
מפורטת בהצהרות האחריות המפורשת הנלוות
לאותם מוצרים ושירותים. אין לפרש דבר במסמך
זה כאחריות נוספת. חברת HP לא תישא באחריות
לשגיאות או להשמטות הכלולות במסמך זה ואשר
אירעו מסיבות טכניות או בעקבות עריכה.

CB472-90948

Edition 1, 6/2007

תקנות FCC

בדיקת ציוד זה העלתה כי הוא עומד בהגבלות לגבי
התקן דיגיטלי בסיווג B, בהתאם לסעיף 15 של כללי
ה-FCC (הוועדה האמריקנית הפדרלית לתקשורת).
הגבלות אלה נועדו לספק הגנה סבירה מפני
השפעה מזיקה בהתקנה ביתית. מכשיר זה מייצר
אנרגיית תדרי רדיו, משתמש בה, ומסוגל לשדר
אותה. אם התקנת המכשיר והשימוש בו ייעשו שלא
בהתאם להנחיות, הוא עלול לגרום להפרעה מזיקה
לתקשורת רדיו. עם זאת, אין כל ערובה לכך שלא
תתרחש הפרעה בהתקנה מסוימת; ניתן לקבוע
האם קיימת הפרעה על-ידי כיבוי והפעלה של הציוד.

אם מכשיר זה יגרום להפרעה בקליטת שידורי רדיו
או טלוויזיה, רצוי לנסות ולתקן את ההפרעה
באמצעות אחת מהפעולות הבאות או יותר: כוון
מחדש או מקם מחדש את האנטנה הקולטת; הגדל
את המרחק בין הציוד והמקלט; חבר את הציוד
לשקע במעגל חשמלי שונה מזה שבו ממוקם
המקלט; או התייעץ עם הסוכן שלך או עם טכנאי
רדיו/טלוויזיה מנוסה.

שים לב: כל שינוי או התאמה להתקן שאינם
מאושרים במפורש על-ידי HP עלולים לבטל את
הרשאת המשתמש להפעיל ציוד זה.

אזכור סימנים מסחריים

Microsoft® ו-Windows® הם סימנים מסחריים
רשומים בארה"ב של Microsoft Corporation.

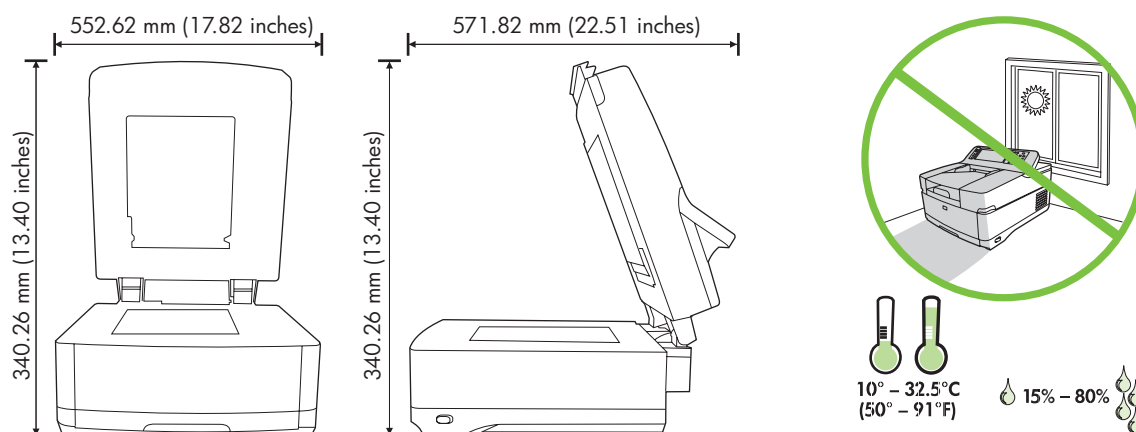
Pentium® הוא סימן מסחרי של Intel
Corporation או חברות הבת שלה בארה"ב
ובמדינות/אזורים אחרים.

התקנה והגדרה של ההתקן

סביבת ההתקנה

הכנת האתר

בחר אזור מאוורר היטב ונקי מאבק, כדי להתקין את ההתקן. הנח את ההתקן על משטח יציב.



דרישות מערכת

כדי להתקין את HP 9250C Digital Sender, על מערכת המחשב לכלול את המאפיינים הבאים:

- אתרנט מהיר 100Base-TX או אתרנט 10Base-T
- גישה לשער דואר אלקטרוני SMTP

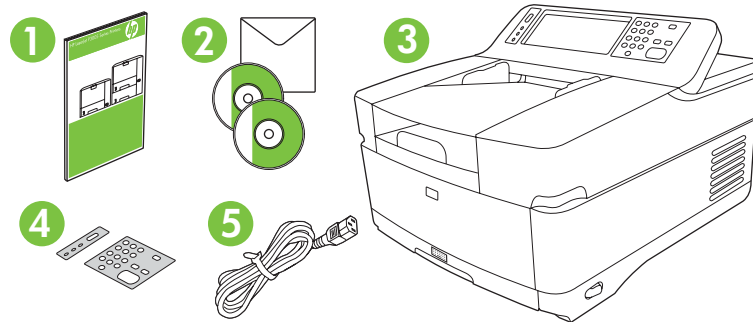
הערה חברת HP ממליצה מאוד על יצירת שער SMTP ברשת המקומית שלך. עם זאת, ניתן להגדיר את תצורת ההתקן עבור תפקודיות דואר אלקטרוני אפילו אם שירותי הדואר מסופקים על-ידי ספק שירותי אינטרנט (ISP) חיצוני בקו מנדי דיגיטלי (DSL).



רכיבי ההתקן

הוצאת ההתקן מאריזתו

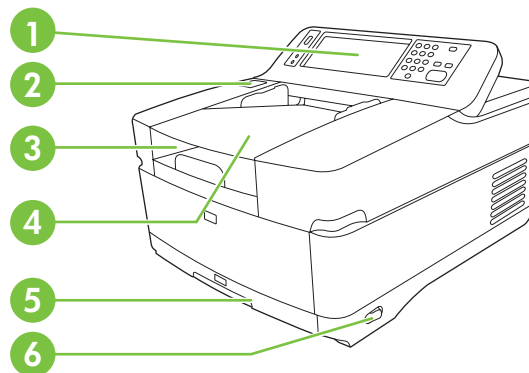
הסר את כל העטיפות, הסרטים וחומרי האריזה.



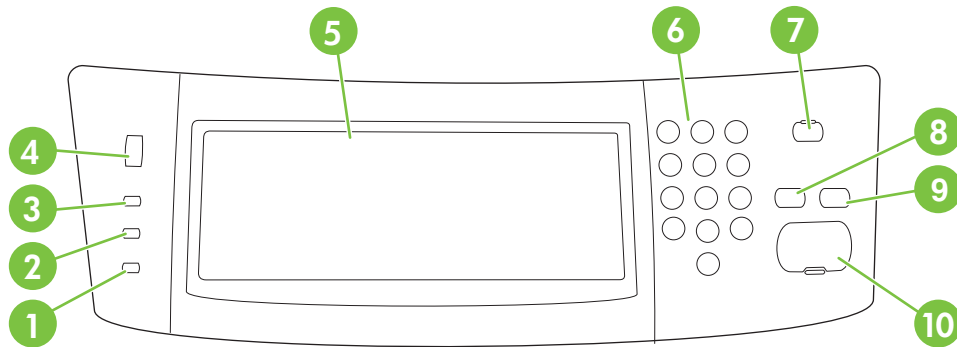
1	מדריך לתחילת העבודה
2	תיעוד של המשגר הדיגיטלי ותוכנה אופציונלית HP DSS
3	משגר דיגיטלי
4	כיסויי לוח הבקרה (אם כלולים)
5	כבל מתח

זיהוי חלקי ההתקן

החלק הקדמי של ההתקן

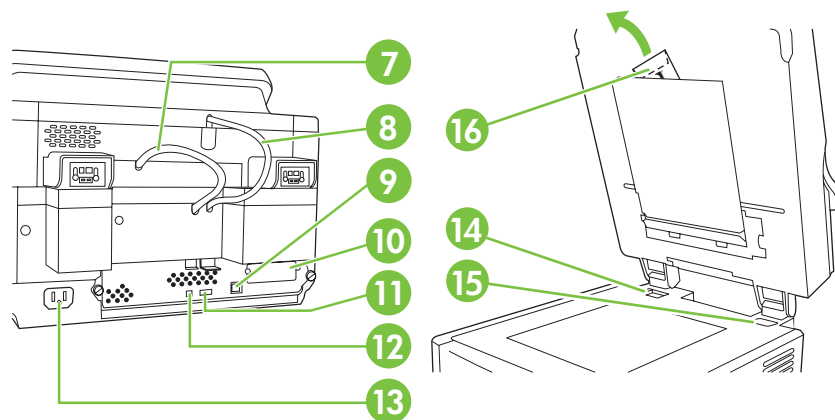


1	לוח הבקרה
2	שחרור חסימות
3	סל פלט
4	מגש הזנה של ADF
5	מקלדת (משוך כדי לפתוח)
6	מתג הפעלה/כיבוי



- | | |
|----------------------------|-----------------------|
| 1. מרית Attention (התראה) | 6. לוח מקשים מספרי |
| 2. מרית Data (נתונים) | 7. לחצן Sleep (שינה) |
| 3. מרית Ready (מוכן) | 8. לחצן Reset (איפוס) |
| 4. חוגת כוונן הבהירות | 9. לחצן Stop (עצירה) |
| 5. תצוגה גרפית של מסך המגע | 10. לחצן Start (התחל) |

החלק האחורי של ההתקן, המנעול והמספר הסידורי



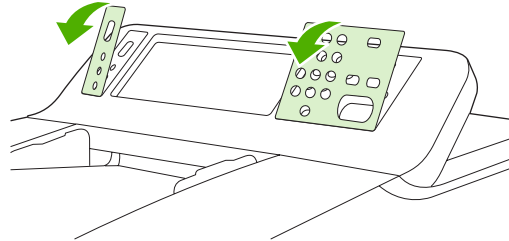
- | | |
|---|--|
| 7. כבל ADF | 12. יציאת USB להתקן (אם נדרשים שדרוגי קושחה) |
| 8. כבל לוח הבקרה | 13. מחבר מתח |
| 9. יציאת רשת 10/100Base-T | 14. מנעול סורק |
| 10. יציאת EIO | 15. מספר סידורי |
| 11. יציאת USB למחשב מארח (עבור אביזרים של צד שלישי) | 16. גיליונות מיילאר (mylar) נוספים |

תחילת העבודה

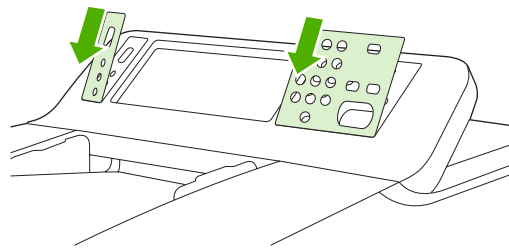
שינוי כיסויי לוח הבקרה

השתמש בהליך שלהלן כדי לשנות את כיסויי לוח הבקרה, אם יש צורך.

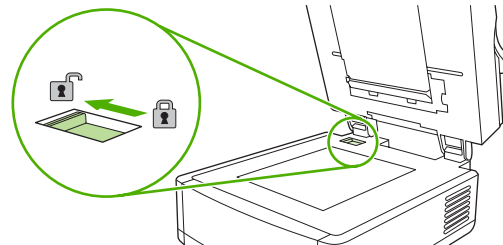
1. הכנס כלי קטן, בעל קצה שטוח לחריץ שבקצה העליון. הרם את החלק העליון ומשוך אותו מלוח הבקרה.



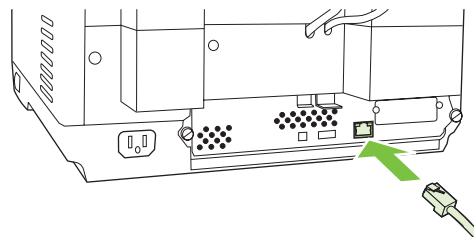
2. הנח את הכיסויי כך שיתיישר כראוי עם הלחצנים. החלק את הקצה התחתון מטה תחילה והכנס אותו לתוך לוח הבקרה.



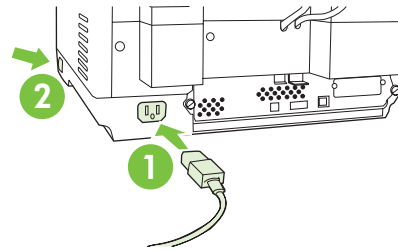
שחרור הסורק



חיבור כבל הרשת



חבר את כבל המתח



1. חבר את כבל המתח להתקן ולשקע.
2. כבה את מתג ההפעלה ופעל לפי ההנחיות בלוח הבקרה.

הגדרות התצורה של לוח הבקרה

הגדרות ברירת מחדל בסיסיות

הגדרות שפה

לאחר שההתקן מתחמם, ההודעות בלוח הבקרה מופיעות באנגלית. שנה את השפה באחת משתי הדרכים הבאות:

- בחר בשפה הרצויה מתפריט **Language (שפה)** בפעם הראשונה שבה מופעל ההתקן. יש לבחור את השפה תוך 60 שניות מרגע הופעת התפריט.

לחלופין

- שנה את השפה בכל עת בתפריט **Administration (ניהול)**. תחילה גע באפשרות **Device Behavior (אופן הפעולה של ההתקן)**, גע באפשרות **Language (שפה)**, גע בשפה הרצויה ולאחר מכן גע באפשרות **Save (שמור)**.

הגדרות תאריך ושעה

גע באפשרות **Exit (יציאה)** אם הגדרות התאריך והשעה נכונות. גע באפשרות **OK (אישור)** כדי לשנות הגדרות אלו.

הקצאת כתובת ה-IP

על ההתקן להיות מוקצה לכתובת IP (פרוטוקול אינטרנט) חוקית ברשת. אם הרשת משתמשת בפרוטוקול תצורה של מחשב מארח דינמי (DHCP), ניתן להקצות את כתובת ה-IP באופן אוטומטי. DHCP הוא הגדרת ברירת המחדל במשגר הדיגיטלי. הקצאת כתובת IP באופן ידני אם DHCP אינו נמצא בשימוש.

חיפוש אחר כתובת DHCP המוקצית באופן אוטומטי

במסך הפתיחה, גע באפשרות **Network Address (כתובת רשת)**. כתובת ה-IP מופיעה במסך Network Address (כתובת רשת).

אם הלחצן **Network Address (כתובת רשת)** אינו מופיע, חפש אחר כתובת ה-IP:

- גע באפשרות **Administration (ניהול)** ולאחר מכן גע באפשרות **Information (מידע)**.
- גע באפשרות **Configuration/Status Pages (דפי מצב/תצורה)**, לאחר מכן גע באפשרות **Configuration Page (דף תצורה)**.
- גע באפשרות **Show (הצג)**. מופיע מידע התצורה של המשגר הדיגיטלי.
- גע באפשרות **OK (אישור)** כדי לראות את נתוני ה-Jetdirect. גלול במידע כדי לחפש אחר כתובת ה-IP.

הקצאה ידנית של כתובת IP

1. גע באפשרות **Administration (ניהול)** ולאחר מכן גע באפשרות **Initial Setup (הגדרה ראשונית)**.
2. גע באפשרות **Networking and I/O (עבודה ברשת וקלט/פלט)**, לאחר מכן גע באפשרות **Embedded Jetdirect (משוּבָּץ Jetdirect)**.
3. גע באפשרות **TCP/IP**, לאחר מכן גע או באפשרות **IPV4 Settings (הגדרות IPV4)** (כגון http://192.168.1.1) או באפשרות **IPV6** (כגון http://[2001:0ba0:0000.0000.0000.0000:1234]).
4. גע באפשרות **Config Method (שיטת הגדרת תצורה)**.
5. גע באפשרות **Manual (ידני)**, לאחר מכן גע באפשרות **Save (שמור)**.
6. גע באפשרות **Manual settings (הגדרות ידניות)**.

7. גע באפשרות **IP address** (כתובת IP). גע בשדה כתובת ה-IP, לאחר מכן הקלד את כתובת ה-IP.

8. גע באפשרות **OK** (אישור).

תצורת ההתקן

לפני הגדרת התצורה, ודא שיש בידך המידע הבא:

- שם המחשב המארח או כתובת ה-IP של שרת הדואר האלקטרוני מסוג פרוטוקול העברת דואר פשוט (SMTP) שישלח דואר אלקטרוני מהמשגר הדיגיטלי
- שם המחשב המארח או כתובת ה-IP של שרת הפרוטוקול (LDAP) Lightweight Directory Access Protocol שיאחזר כתובות דואר אלקטרוני (אופציונלי)
- נתיב התיקייה המועדפת עבור מאפיין שליחה לתיקייה
- שם המחשב המארח או כתובת ה-IP של המשגר הדיגיטלי
- היעזר במקשים הבאים במקלדת כדי לנווט דרך מסכי התצורה.
- הקש על מקש **Escape** כדי לחזור למסך הקודם.
- הקש על מקש **Tab** כדי להעביר את הסמן לשדה הבא.

התקנה והגדרת תצורה של שרת אינטרנט משובץ (EWS)

התקן והגדר תצורה של EWS כדי לגשת למאפיינים הבאים:

• דואר אלקטרוני	• אימות Kerberos
• תיקייה	• אימות LDAP
• מיעון	• אימות Group 1/Group 2 PIN

1. פתח דפדפן אינטרנט והקלד את כתובת ה-IP של ההתקן.
2. בחר בכרטיסייה **Digital Sending (שיגור דיגיטלי)** והשלם את המידע ב-**General Settings (הגדרות כלליות)**.
3. בחר **E-mail Settings (הגדרות דואר אלקטרוני)** ולאחר מכן הקלד את כתובת שרת ה-SMTP. אם אתה משתמש בשירותיו של ספק שירותי אינטרנט (ISP) לצורכי גישה לאינטרנט ודואר אלקטרוני ייתכן שיהיה עליך לפנות אליו כדי להשיג את שם שרת SMTP וכדי לקבוע אם עליך להזין שם חשבון וסיסמה לצורך אימות SMTP.
4. בחר **E-mail Address Book (ספר כתובות דואר אלקטרוני)** כדי להזין כתובות דואר אלקטרוני ורשימות תפוצה של דואר אלקטרוני הנפוצות בשימוש. האפשרויות **Fax Address Book (ספר כתובות פקס)** ו-**Fax Speed Dials (חיוגים מהירים לפקס)** ממוקמים באזור הניווט השמאלי.
5. בחר **Send To Folder (שליחה לתיקייה)** כדי להגדיר יעד תיקייה אחד או יותר עבור מסמכים שנסרקו.

התקנה והגדרת תצורה של תוכנת שיגור (DSS)

התקן והגדר תצורה של תוכנת שיגור דיגיטלי (אופציונלית) כדי לגשת למאפיינים הבאים:

• זרימת עבודה	• אימות Windows
• OCR (זיהוי תווים אופטי)	• אימות Lanfax
• Lanfax	• אימות Netware



עצה אם כבר מותקנת גרסה קודמת של HP DSS, חסוך זמן על-ידי העתקת הגדרות בעזרת מאפיין **copy settings (העתק הגדרות)** בכרטיסייה **MFP configuration (תצורת MFP)** בעת התקנת ההתקן החדש יותר.

על המשגר הדיגיטלי להיות מופעל ומחובר לרשת לצורך השלמת התהליך של התקנת התוכנה בהצלחה.

התקן את התוכנה בשרת שיתמוך בשירות HP Digital Sending Software (HP DSS). לאחר ההתקנה, ה-HP DSS פועל ברקע כשירות, המופעל באופן אוטומטי בכל פעם שמתבצעת הפעלה מחדש בשרת.

אימות התקנת ההתקן

בדוק את ההתקנה ואת הגדרת התצורה בעזרת האפשרויות **E-Mail (דואר אלקטרוני)** ו-**Network Folder (תיקיית רשת)** בתצוגת לוח הבקרה.

1. הנח מסמך ב-ADF כשהצד המודפס פונה כלפי מעלה או על משטח הזכוכית של הסורק כשהצד המודפס פונה כלפי מטה.
2. גע באפשרות **E-Mail (דואר אלקטרוני)**.
3. הקלד שם משתמש וסיסמה, אם תתבקש לכך.
4. אם לא מופיעה הנחיה לכניסה, גע באפשרות **From (מאת:)** לאחר מכן הקלד כתובת דואר אלקטרוני.
5. גע באפשרות **To (אל:)** לאחר מכן הקלד את אותה כתובת דואר אלקטרוני.
6. גע באפשרות **OK (אישור)** ולאחר מכן לחץ על **Start (התחל)**. ההתקן סורק את המסמך ושולח אותו אליך כמסמך מצורף להודעת דואר אלקטרוני.
7. חזור על תהליך זה בעזרת האפשרות **Network Folder (תיקיית רשת)** וודא שהקובץ נשלח לתיקייה המתאימה. בדיקה שעוברת בהצלחה מראה שההתקן יסרוק וישלח מסמכים לכתובת הדואר האלקטרוני או לתיקייה המוגדרים. אם ההתקן אינו שולח את הקובץ כהלכה, ודא את ההתקנה והגדרת התצורה של ההתקן.

היכן ניתן לחפש אחר מידע נוסף

מאפיין	תיאור	לקבלת מידע נוסף
סריקה לדואר אלקטרוני	סורק מסמך ושולח אותו לכל כתובת דואר אלקטרוני	מדריך למשתמש EWS
סריקה לתיקייה	סורק מסמך לתיקיית רשת אחת או יותר	
פנקס כתובות עבור דואר אלקטרוני ופקס	מזין שמות, כתובות דואר אלקטרוני ומספרי פקס	מדריך למשתמש EWS
אימות PIN משתמש	דורש אימות לשימוש בהתקן	
מיעון LDAP	מחפש בספריית LDAP אחר שמות וכתובות דואר אלקטרוני	
אימות LDAP		מדריך למשתמש EWS
אימות Kerberos	דורשים אימות משתמש לשימוש במאפיינים מסוימים	

מאפיין	תיאור	לקבלת מידע נוסף
DSS LANFax	מנתב עבודות פקס דרך תשתית LANFax קיימת	מדריך תמיכה DSS
DSS שליחה לתיקייה	סורק מסמך לתיקיית רשת אחת או יותר.	
DSS זרימת עבודה	לכד מידע אודות מסמכים שנסרקו; מנתב מסמכים ליישומים אחרים	
DSS Windows Negotiated Authentication	דורש אימות משתמש לשימוש במאפיינים מסוימים	
DSS LDAP אימות		

פתרון בעיות ותמיכת לקוחות

פתרון בעיות

פעולה שיש לבצע	בעיה
<p>המנעול הראשי של הסורק נמצא עדיין במצב נעול. העבר אותו למצב משוחרר. עיין בסעיף שחרור הסורק.</p>	<p>המשגר הדיגיטלי אינו סורק ואינו יכול להשלים את העבודה. מוצגת הודעת שגיאה Please try again (נסה שנית).</p>
<p>ודא שיש ברשותך שרת SMTP פועל ברשת.</p> <p>לחץ על הלחצן Add... (הוסף) במסך E-Mail Settings (הגדרות דואר אלקטרוני) והקלד את שם המחשב המארח או את כתובת ה-IP של שרת SMTP. לאחר הקלדת הכתובת, לחץ על הלחצן Test (בדיקה) כדי לוודא שהתוכנה יכולה ליצור קשר עם השרת.</p> <p>אם בדיקת השרת נכשלה, צור קשר עם מנהל הרשת כדי שיעזור לפתור את בעיית התקשורת עם השרת.</p> <p>אם יש ברשותך משגרים דיגיטליים אחרים או התקני MFP המשתמשים בשירות HP DSS, השתמש בלחצן Copy Settings (העתק הגדרות) בכרטיסייה MFP Configuration (תצורת MFP) בכלי העזר HP MFP DSS Configuration Utility כדי להעתיק את ההגדרות מהתקן הפועל כהלכה, לאחר מכן השתמש בלחצן Paste Settings (הדבק הגדרות) כדי להחיל הגדרות אלו על המשגר הדיגיטלי.</p>	<p>הלחצן Find Servers (אתר שרתים) במסך E-Mail Settings (הגדרות הדואר האלקטרוני) לא איתר שרתים.</p>
<p>ודא שישנו שרת LDAP פועל ברשת.</p> <p>הקלד את שם המחשב המארח או כתובת ה-IP של שרת LDAP בתיבת הטקסט LDAP Server (שרת LDAP). לאחר הקלדת הכתובת, גע באפשרות Find Settings (אתר שרתים) כדי לאחזר את הגדרות השרת. לאחר מכן גע באפשרות Test (בדיקה) כדי לוודא שהתוכנה יכולה ליצור קשר עם השרת.</p> <p>אם בדיקת השרת נכשלה, צור קשר עם מנהל הרשת כדי שיעזור לפתור את בעיית התקשורת עם השרת.</p> <p>אם ישנם משגרים דיגיטליים אחרים או התקני MFP המשתמשים בשירות HP DSS, השתמש בלחצן Copy Settings (העתק הגדרות) בכרטיסייה MFP Configuration (תצורת MFP) בכלי העזר HP MFP DSS Configuration Utility כדי להעתיק את ההגדרות מהתקן הפועל כהלכה, לאחר מכן השתמש בלחצן Paste Settings (הדבק הגדרות) כדי להחיל הגדרות אלו על המשגר הדיגיטלי.</p>	<p>הלחצן Find Servers (אתר שרתים) במסך Authentication Settings (הגדרות האימות) לא איתר שרתים.</p>
<p>ודא שכבל המתח מחובר היטב להתקן ושהוא מחובר לשקע החשמל.</p> <p>ודא שההתקן מופעל.</p> <p>נקה הודעות שגיאה המופיעות בתצוגת לוח הבקרה.</p> <p>ודא שכבל הרשת מחובר היטב להתקן.</p> <p>ודא שאחת מנוריות ה-LED הירוקות שמעל יציאת הרשת בהתקן פועלת.</p>	<p>המשגר הדיגיטלי אינו פועל.</p>
<p>ודא שאין דף המונח כבר על משטח הזכוכית.</p>	<p>הדפים שנסרקו ריקים או שמופיעות בהן תבניות חוזרות.</p>
<p>ודא שהמסמך שהנך משלוח מונח כהלכה ב-ADF (הצד המודפס פונה כלפי מעלה) או במשטח הזכוכית (הצד המודפס פונה כלפי מטה).</p> <p>נסה לשנות חלק מהגדרות הסריקה, במידה שניתן, כגון הרזולוציה וסוג הקובץ, כדי לשפר את איכות התמונה.</p>	<p>איכות התמונה ירודה.</p>
<p>יישר את המכוונים כך שייצמדו לערימה אך לא יקמרו אותה.</p> <p>ודא שמגש ההזנה או סל הפלט ב-ADF אינם טעונים יתר על המידה. כל אחד מהמגשים יכול להכיל 50 עמודים לכל היותר, אך קיבולת זו עשויה להיות נמוכה יותר בעת שימוש בסוגים מסוימים של חומרי הדפסה.</p>	<p>ה-ADF מזין מספר מסמכים, מטה את הגליונות או שמתרחשות בו חסימות לעיתים קרובות.</p>

- ודא שהנייר נערם בצורה ישרה ב-ADF.
 - אם מסמך המקור עבור הידוק או נוקב לפני כן, ודא שהדפים אינם מחוברים זה לזה.
 - ודא שסוג חומר ההדפסה שנטען תואם למפרטים הנדרשים. עיין ב-HP 9250C Digital Sender User Guide (מדריך למשתמש HP 9250C Digital Sender User Guide) לקבלת מפרטים של חומרי ההדפסה.
-
- שידור דואר אלקטרוני לא הגיע לכתובת דואר אלקטרוני של היעד.
 - אם כתובת הדואר האלקטרוני הוקלדה באופן ידני, שלח מחדש את הודעת הדואר האלקטרונית. הזן מחדש את כתובת הדואר האלקטרוני, ודא שנעשה שימוש בתבנית הנכונה (ללא רווחים, סימן @ הנדרש, הנקודה הנדרשת) הן בתיבת הטקסט **To: (אל:)** והן בתיבת הטקסט **From: (מאת:)**.
 - שלח מחדש את הדואר האלקטרוני. הקלד את השם בתבנית הנכונה בשדה **From: (מאת:)** כדי שהודעה לא תידחה וכדי שתקבל חזרה הודעה במידה ששידור הדואר האלקטרוני נכשל.
 - הנח למנהל הרשת לוודא ש-SMTP Relay מופעל בשרת הדואר כדי לאשר שליחה לכתובת דואר אלקטרוני מחוץ לחברה שלך.
 - הנח למנהל הרשת לוודא ששרת ה-SMTP פועל.
-
- מסמך ששלחת לתיקייה לא הגיע לתיקיית היעד.
 - שלח מחדש את המסמך.
 - בדוק האם שם הקובץ שונה כדי לפתור שגיאה של שם קובץ זהה.
-
- החלק התחתון של העמוד ששלחת חתוך.
 - אם המסמך נשלח ממשטח הזכוכית, ייתכן שעמוד המסמך ארוך מדי. האורך המרבי עבור מסמכים שנסרקו ממשטח הזכוכית הוא A4, או 210 x 297 מ"מ (8.27 x 11.69 אינץ').
-
- השתמש בתפריט לוח הבקרה כדי להגדיר את השפה המתאימה. עיין בסעיף **הגדרות שפה**.
 - שפה לא מתאימה נמצאת בשימוש בלוח הבקרה.

תמיכת לקוחות

עיין ב-HP 9250C Digital Sender User Guide (מדריך למשתמש HP 9250C Digital Sender User Guide) שבתקליטור. לקבלת מידע אודות שירות הלקוחות של HP, עיין בעלון התמיכה המצורף להתקן, או עבור לכתובת www.hp.com/support/9250c.

© 2006 Hewlett-Packard Development Company, L.P.

www.hp.com



CB472-90948