

# **Multimedia**

Document Part Number: 419442-001

January 2007

This guide explains how to use the audio and video features of the computer.

---

# Contents

## 1 Multimedia hardware

Using the optical drive (select models only) . . . . .	1-1
Identifying the installed optical drive . . . . .	1-1
Inserting an optical disc . . . . .	1-2
Removing an optical disc (with power) . . . . .	1-3
Removing an optical disc (without power) . . . . .	1-4
Using the audio features . . . . .	1-5
Using the audio-in (microphone) jack . . . . .	1-6
Using the audio-out (headphone) jack . . . . .	1-6
Adjusting the volume . . . . .	1-7
Using the external monitor port . . . . .	1-8

## 2 Multimedia software

Identifying preinstalled multimedia software . . . . .	2-1
Installing multimedia software from a CD (select models only) . . . . .	2-2
Using multimedia software . . . . .	2-2
Preventing playback disruptions . . . . .	2-4
Protecting the CD or DVD write process . . . . .	2-4
Changing DVD region settings . . . . .	2-5
Observing the copyright warning . . . . .	2-6

---

## Multimedia hardware

### Using the optical drive (select models only)

The optical drive allows you to play, copy, and create CDs or DVDs, depending on the type of installed drive and installed software.


### Identifying the installed optical drive

To view the type of optical drive installed in the computer:

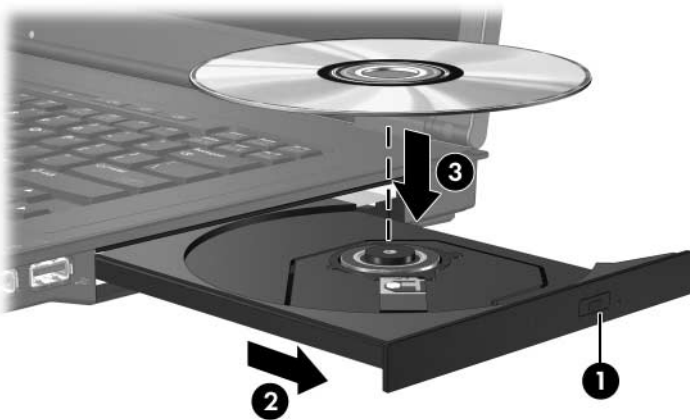
- » Select **Start > Computer**.

## Inserting an optical disc

1. Turn on the computer.
2. Press the release button **1** on the drive bezel to release the media tray.
3. Pull out the tray **2**.
4. Hold the CD or DVD by the edges to avoid touching the flat surfaces, and position the disc over the tray spindle with the label side up.


 If the tray is not fully accessible, tilt the disc carefully to position it over the spindle.

5. Gently press the disc **3** down onto the tray spindle until the disc snaps into place.



6. Close the media tray.

---


 After you insert a disc, a short pause is normal. If you have not selected a default media player, an AutoPlay dialog box opens. It prompts you to select how you want to use the media content.

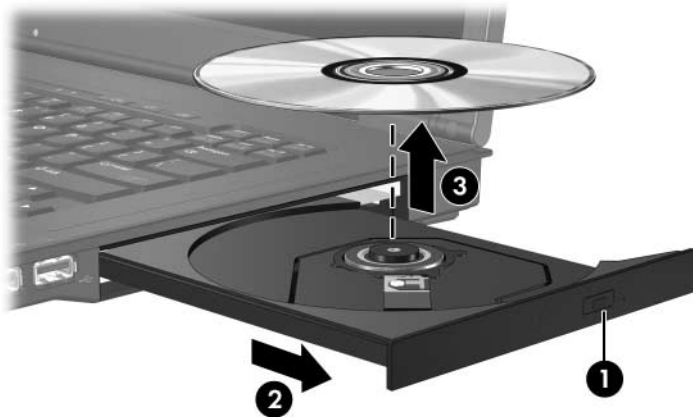
---

## Removing an optical disc (with power)

If the computer is running on external or battery power:

1. Turn on the computer.
2. Press the release button **1** on the drive bezel to release the media tray, and then pull out the tray **2**.
3. Remove the disc **3** from the tray by gently pressing down on the spindle while lifting the outer edges of the disc. Hold the disc by the edges and avoid touching the flat surfaces.

 If the tray is not fully accessible, tilt the disc carefully as you remove it.




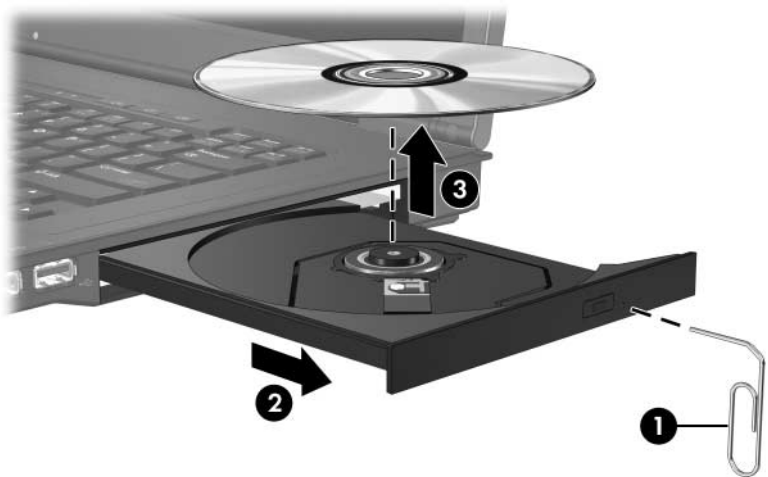
4. Close the media tray and place the disc in a protective case.

## Removing an optical disc (without power)

If external or battery power is not available:

1. Insert the end of a paper clip **1** into the release access in the front bezel of the drive.
2. Press gently until the tray is released, and then pull out the tray **2**.
3. Remove the disc **3** from the tray by gently pressing down on the spindle while lifting the outer edges of the disc. Hold the disc by the edges and avoid touching the flat surfaces.

 If the tray is not fully accessible, tilt the disc carefully as you remove it.



4. Close the media tray and place the disc in a protective case.

## Using the audio features

The following illustration and table describe the computer audio features.



Component	Description
❶ Speakers (2)	Produce computer sound.
❷ Volume mute button	Mutes and restores computer sound.
❸ Volume down button	Decreases speaker volume.
❹ Volume up button	Increases speaker volume.
❺ Audio-out (headphone) jack	Produces computer sound when connected to optional powered stereo speakers, headphones, a headset, or television audio.
❻ Audio-in (microphone) jack	Connects an optional computer headset microphone, stereo array microphone, or monaural microphone.

## Using the audio-in (microphone) jack

The computer is equipped with a stereo (dual-channel) microphone jack that supports a stereo array and monaural microphone. Using sound recording software with external microphones allows for stereo (dual-channel) recordings and stereo playbacks.

When connecting a microphone to the microphone jack, use a microphone with a 3.5-mm plug.

## Using the audio-out (headphone) jack



**WARNING:** To reduce the risk of personal injury, adjust the volume before putting on headphones, ear buds, or a headset.

---



**CAUTION:** To prevent possible damage to an external device, do not plug a single sound channel (monoraul) connector into the headphone jack.

---

In addition to connecting headphones, the headphone jack is used to connect the audio input function of an audio/video device such as a television or VCR.

When connecting a device to the headphone jack, use only a 3.5-mm stereo plug.



When a device is connected to the headphone jack, the internal speakers are disabled.

---



## Adjusting the volume

You can adjust the volume using the following controls:

- Computer volume buttons
  - To mute or restore volume, press the volume mute button.
  - To decrease the volume, press the volume down button.
  - To increase the volume, press the volume up button.
- Windows® volume control:
  1. Click the **Volume** icon in the notification area, at the far right of the taskbar.
  2. Increase or decrease the volume by moving the slider up or down. Click the **Mute** icon to mute the volume.

– or –

1. Right-click the **Volume** icon in the notification area, and then click **Open Volume Mixer**.
2. In the Device column, increase or decrease the volume by moving the slider up or down. You can also mute the volume by clicking the **Mute** icon.

If the Volume icon is not displayed in the notification area, follow the steps below to place it there.

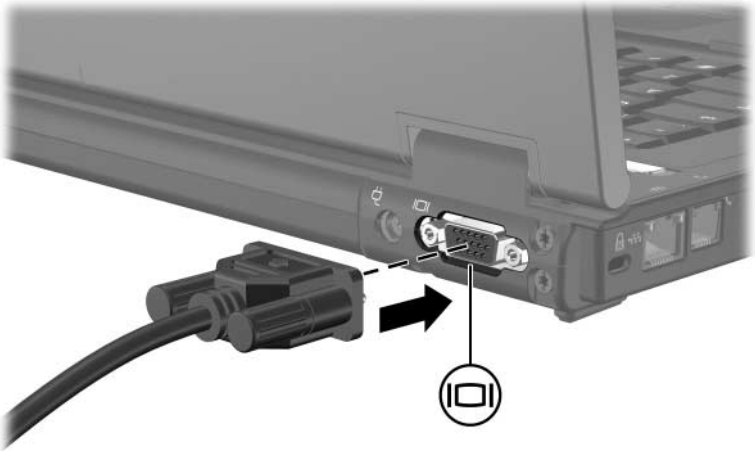
1. Right-click in the notification area, and then click **Properties**.
  2. Click the **Notification Area** tab.
  3. Under System icons, select the **Volume** check box.
  4. Click **OK**.
- Program volume control:

Volume can be adjusted within some programs.

## Using the external monitor port

The external monitor port connects an external display device such as an external monitor or projector, to the computer.

To connect a display device, connect the device cable to the external monitor port.



If a properly connected external display device does not display an image, press **fn+f4** to transfer the image to the device.

---

---

## Multimedia software

The computer includes preinstalled multimedia software. Some models also include software on an optical disc.

Depending on the hardware and software included with the computer, the following multimedia tasks may be supported:

- Playing digital media, including audio and video CDs, audio and video DVDs, and Internet radio
- Creating or copying data CDs
- Creating, editing, and burning audio CDs
- Creating, editing, and burning a video or movie to a DVD or video CD



For details about using software included with the computer, refer to the software manufacturer's instructions which may be provided on disc, or as online Help files, or on the software manufacturer's Web site.

---

## Identifying preinstalled multimedia software

To view and access the preinstalled multimedia software on the computer:

- » Select **Start > All Programs**.



You can also reinstall multimedia software on the computer. Select **Start > All Programs > Software Setup**.

---

## Installing multimedia software from a CD (select models only)

To install multimedia software from a CD included with the computer:

1. Insert the multimedia software CD into the optical drive.
2. When the installation wizard opens, follow the installation instructions on the screen.
3. Restart the computer if prompted.

Repeat the installation procedure for all multimedia software on CD that you want to install.

## Using multimedia software

To use the multimedia software installed on the computer:

1. Select **Start > All Programs**, and then open the multimedia program you want to use. For example, if you want to use Windows Media Player to play an audio CD, select **Windows Media Player**.



Some programs may be located in subfolders.

2. Insert the media disc, such as an audio CD, into the optical drive.
3. Follow the instructions on the screen.

– or –

1. Insert the media disc, such as an audio CD, into the optical drive.

An AutoPlay dialog box is displayed.

2. Click a multimedia task from the list of tasks.

## Preventing playback disruptions

To reduce the possibility of playback disruption:

- Save your work and close all open applications before playing a CD or a DVD.
- Do not connect or disconnect hardware while playing a disc.

Do not initiate Hibernation or Sleep while playing a disc. Otherwise, you may see a warning message asking if you want to continue. If this message is displayed, click **No**. After you click **No**:

- Playback may resume.

– or –

- Playback may stop and the screen may clear. To return to playing the CD or DVD, press the power button and then restart the disc.

## Protecting the CD or DVD write process



**CAUTION:** To prevent loss of information or damage to a disc:

- Before writing to a disc, connect the computer to a reliable external power source. Do not write to a disc while the computer is running on battery power.
  - Before writing to a disc, close all open programs except the disc software you are using.
  - Do not copy directly from a source disc to a destination disc or from a network drive to a destination disc. Instead, copy from a source disc or network drive to your hard drive, and then copy from your hard drive to the destination disc.
  - Do not use the computer keyboard or move the computer while the computer is writing to a disc. The write process is sensitive to vibration.
-

## Changing DVD region settings

Most DVDs that contain copyrighted files also contain region codes. The region codes help protect copyrights internationally.

You can play a DVD containing a region code only if the region code on the DVD matches the region setting on your DVD drive.

If the region code on a DVD does not match the region setting on your drive, the following message is displayed when you insert the DVD: “Playback of content from this region is not permitted.” To play the DVD, you must change the region setting on your DVD drive. DVD region settings can be changed through the operating system or through some DVD players.



**CAUTION:** The region settings on your DVD drive can be changed only 5 times.

- The region setting you select the fifth time becomes the permanent region setting on the DVD drive.
- The number of allowable region changes remaining on the drive is displayed in the Changes remaining field on the DVD Region tab. The number in the field includes the fifth and permanent change.

---

To change DVD settings through the operating system:

1. Select **Start > Computer > System properties**.
2. In the left pane, click **Device Manager**.



Windows includes the User Account Control feature to improve the security of your computer. You may be prompted for your permission or password for tasks such as installing applications, running utilities, or changing Windows settings. Refer to Windows online Help for more information.

3. Click the “+” sign next to DVD/CD-ROM drives.
4. Right-click the DVD drive for which you want to change region settings, and then click **Properties**.
5. Make the desired changes on the **DVD Region** tab.
6. Click **OK**.

## Observing the copyright warning

It is a criminal offense, under applicable copyright laws, to make unauthorized copies of copyright-protected material, including computer programs, films, broadcasts, and sound recordings. Do not use this computer for such purposes.



© Copyright 2007 Hewlett-Packard Development Company, L.P.

Windows is a U.S. registered trademark of Microsoft Corporation.

The information contained herein is subject to change without notice. The only warranties for HP products and services are set forth in the express warranty statements accompanying such products and services. Nothing herein should be construed as constituting an additional warranty. HP shall not be liable for technical or editorial errors or omissions contained herein.

Multimedia

First Edition: January 2007

Document Part Number: 419442-001