

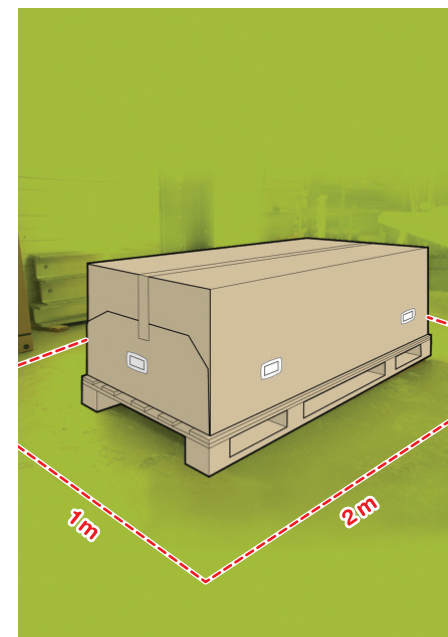
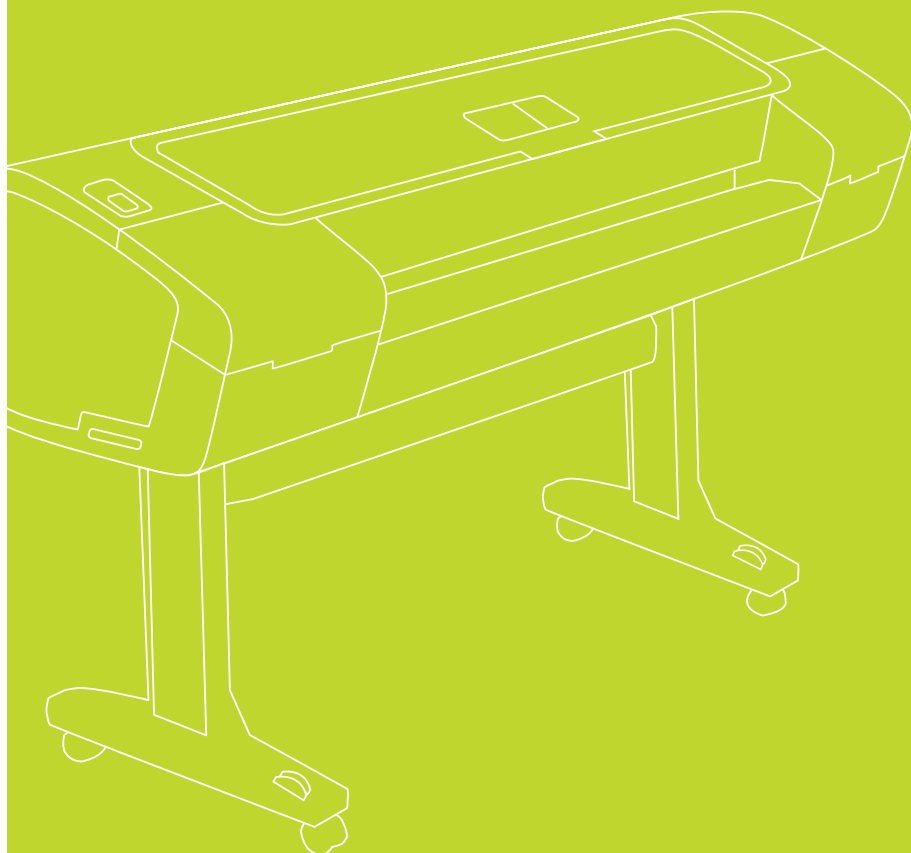
# HP Designjet Z2100, Z3100 and Z3100ps GP Photo Printer Assembly Instructions

© 2006 Hewlett-Packard Company  
Inkjet Commercial Division  
Avenida Graells 501 - 08174  
Sant Cugat del Valles  
Barcelona - Spain

All rights reserved



Q6660-90021



## 1 Read these instructions carefully...

### What you will need for this procedure

- Because the printer is heavy, you may need three people to unpack it. When more than one person is needed, this symbol is displayed.

- To assemble the printer you will need at least 1 x 2 m (40 x 80 in) of empty floor space.

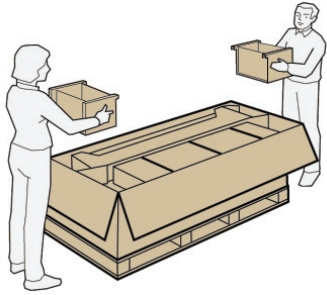
\*Whenever you see this icon, you can find an animation illustrating the procedure on the HP Start-Up Kit DVD.

## 2 Printer working area

Before you start unpacking, consider where you are going to put the assembled printer. You should allow some clear space on all sides of the printer box. The recommended clearances are shown in the illustration above.



3 Remove the two accessories boxes, one at each end of the printer box. You will find the documentation and software for your printer on top of the printer.



4 Remove the stand box, which is the largest one. To do so you may need two people, one at each end.



5 Remove the empty boxes.



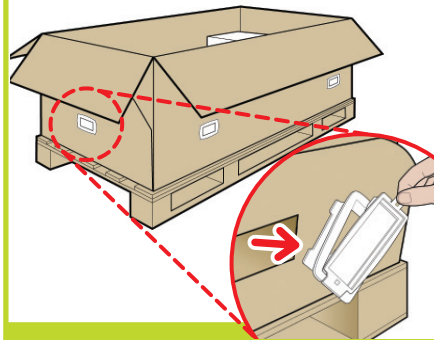
6 Remove the roll of paper and place it on the floor next to the printer box, on the side where you will set up the printer.



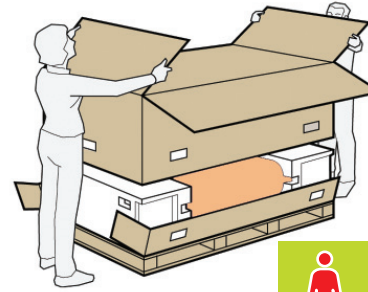
7 Remove the rear tray from the printer.



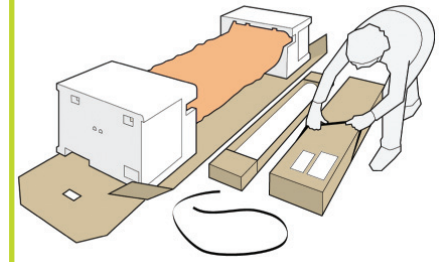
8 Remove the six box fasteners from the sides of the printer box. To remove a fastener, pull on the tab at the side to open the fastener, then continue pulling to remove the whole thing from the box.



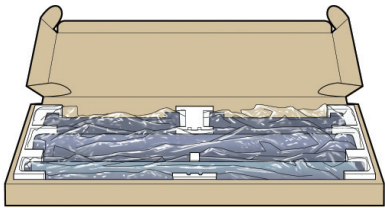
9 Lift up the sides and top of the printer box, and remove them from the printer.



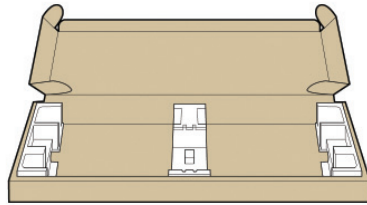
10 Cut and remove the straps around the stand box.



11 Open the stand box.

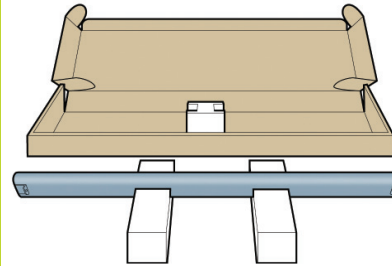


12 Remove the cross-brace and the two pieces of packaging material from each end of the stand box.

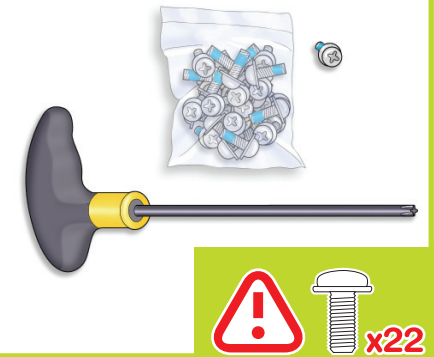


Assemble the stand

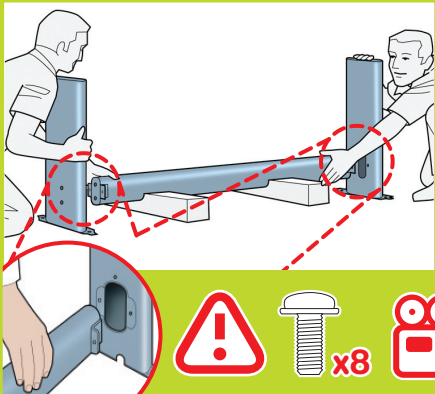
13 Place the two pieces of packaging material on the floor, spaced 40 cm apart, and place the cross-brace on top of them.



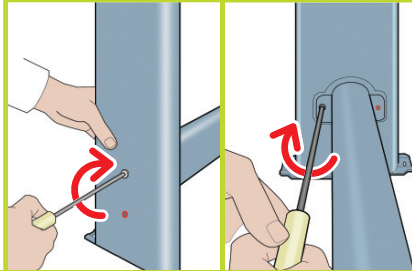
14 A screwdriver and 22 screws are provided in the stand box: 16 screws to assemble the stand, 4 to attach it to the printer, and **2 are spare**. Do not try to remove the washers from the screws. Note: All the screws are for the stand. The basket does not need screws.



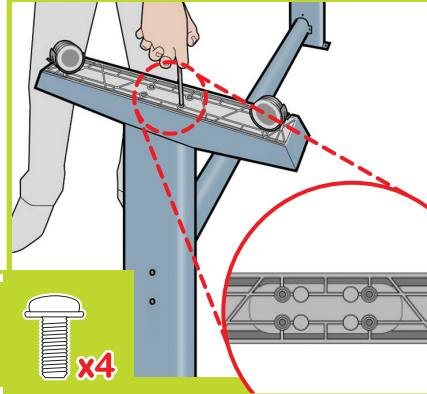
15 Attach each leg of the stand to the cross-brace, using two screws **on the outside** of the leg and then two **on the inside**. First fit all four screws loosely, then tighten up the screws **on the outside** of the leg, followed by the screws **on the inside**.



16 **Make sure you have used 4 screws in each leg.**

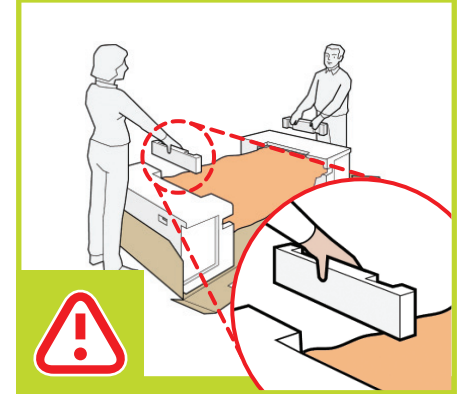


17 Attach a foot to each leg, using four screws in each foot. First fit all four screws loosely, then tighten them up.

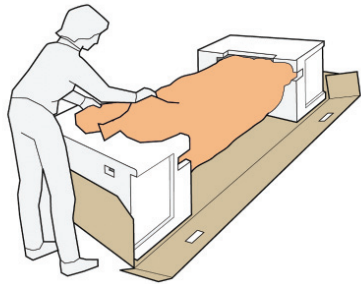


Attach the stand

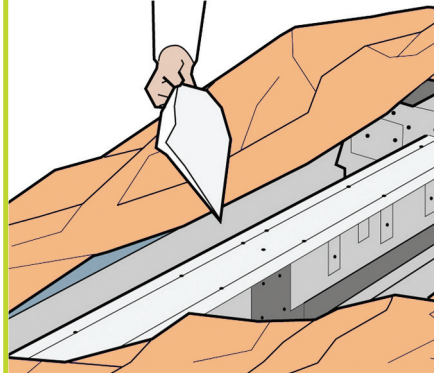
18 Return to the main body of the printer, and remove the small flaps from each of the foam end pieces. **Do not remove the foam end pieces.**



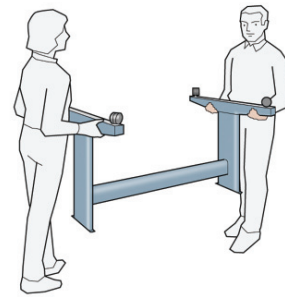
19 Remove the orange tape from the transparent covering that protects the printer.



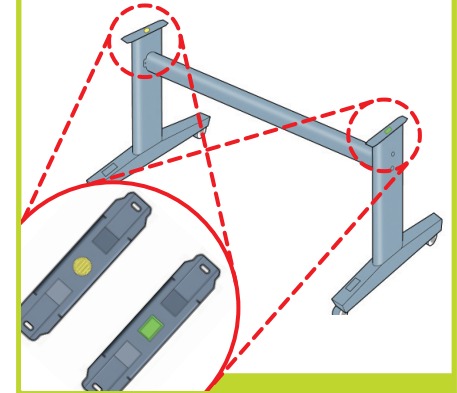
20 Open the transparent covering and remove the desiccant bag from the top of the printer.



21 Lift the stand, keeping it upside down.

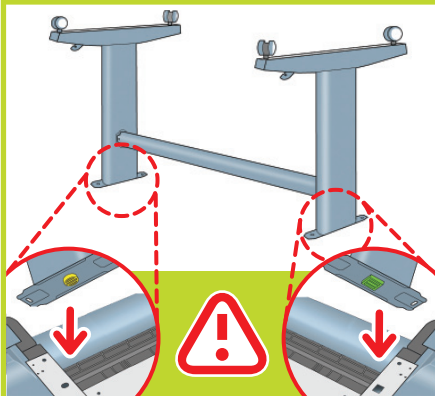


22 There is a round yellow button protruding from the top of one stand leg, and a square green button protruding from the top of the other leg. Each button fits into a hole in the printer.

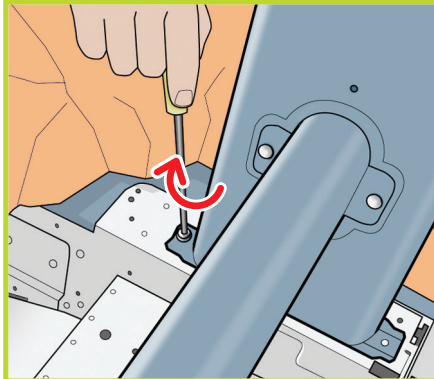


23 Place the stand on the printer slowly and carefully, so that the colored buttons on the legs fit into the corresponding holes in the printer.

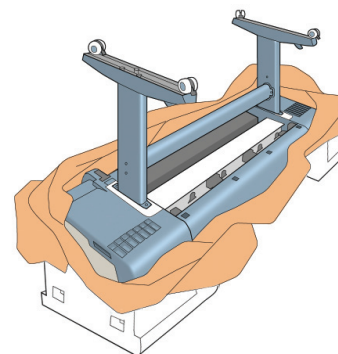
**Notice that the printer body is upside down.**



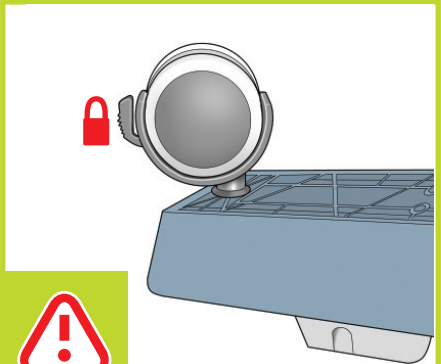
24 When the legs are correctly located on the printer, attach them to the printer using two screws for each leg.



25 Check that you have used a total of twenty screws, and that all have been tightened. You should have two screws left over, which are spare.



26 Check that the wheels on the stand are locked.

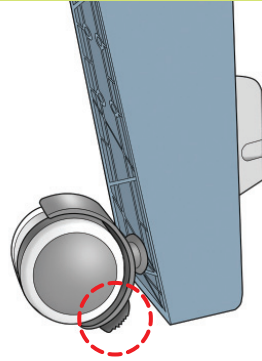




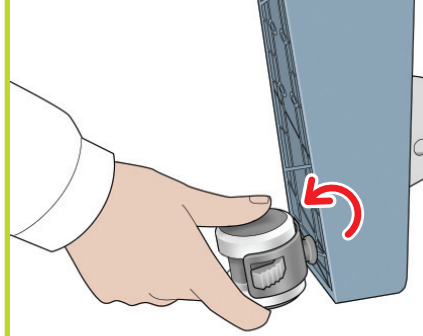
**27** Turning the printer over is done in two stages. For the first stage, hold the printer by its feet and rotate the feet until they touch the floor. The printer weighs 60 kg (132 lb) (24" model) or 80 kg (167 lb) (44" model).



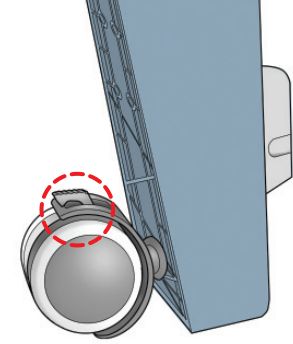
**28** If the full weight of the printer rests on the wheel lock, it may break.



**29** If necessary, rotate the wheel.



**30** The lock on each wheel should be facing inwards (away from the floor).



**31** Now hold the printer by the foam end pieces and by the center rear, and continue to rotate it until it stands on its feet, all four wheels in contact with the floor.



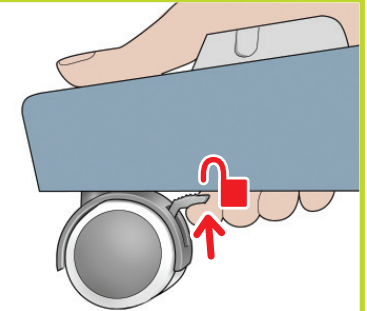
**32** Remove the foam end pieces.



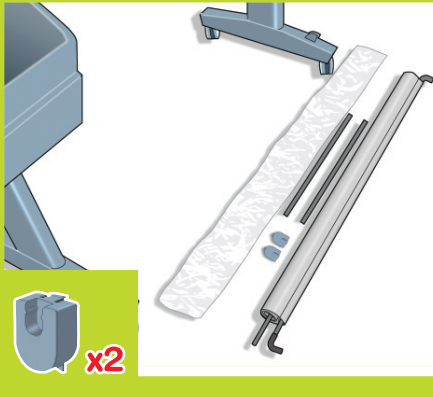
**33** Remove the transparent covering from the printer.



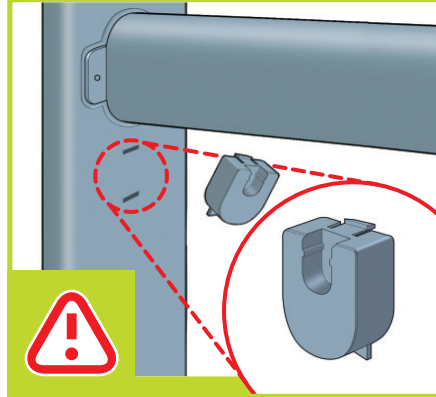
**34** Unlock the brake lever on each of the four wheels by lifting the lever.



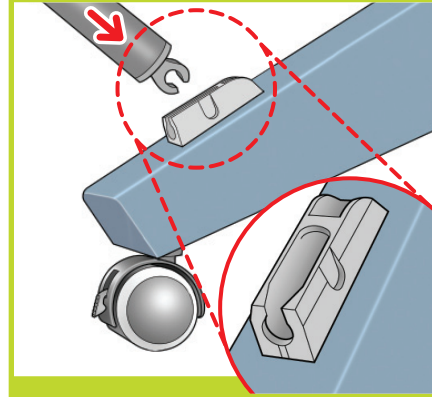
35 Lay out the components of the basket.



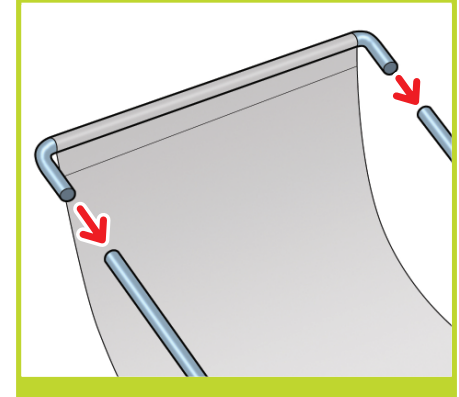
36 Fit the basket supports to the stand legs, one to each leg.



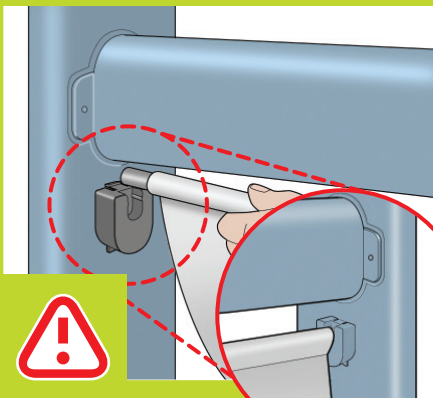
37 Fit the two short tubes to the printer's feet, one on the front of each foot. Each tube should click into place.



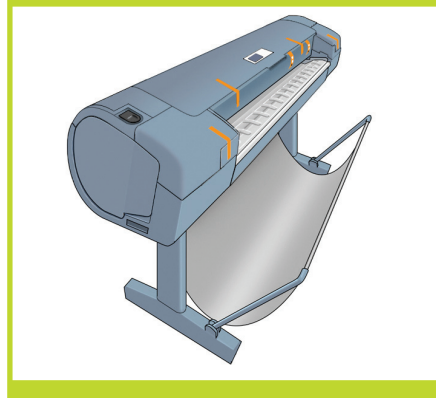
38 Attach the basket's front tube to the two short tubes on each foot.



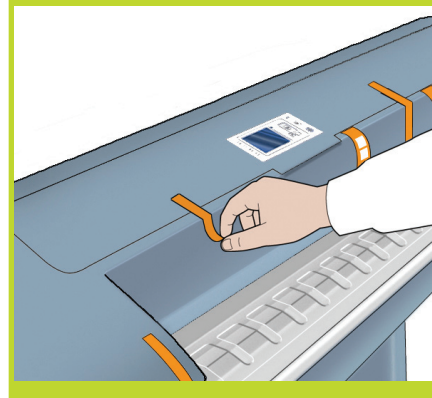
39 Rest the basket's rear tube on the supports that you have just fitted to each leg of the stand.



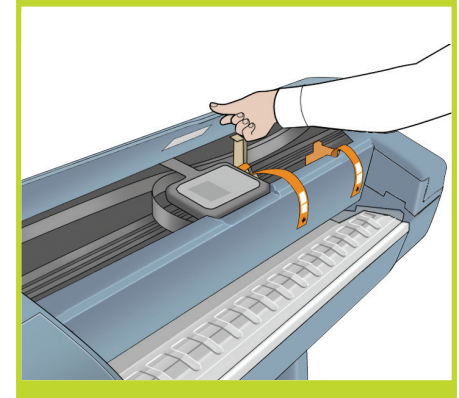
40 The basket is now complete.



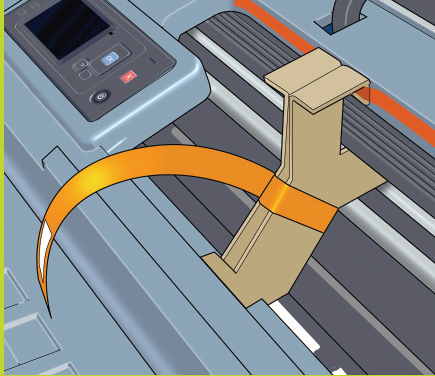
41 Remove the orange tape from the printer window.



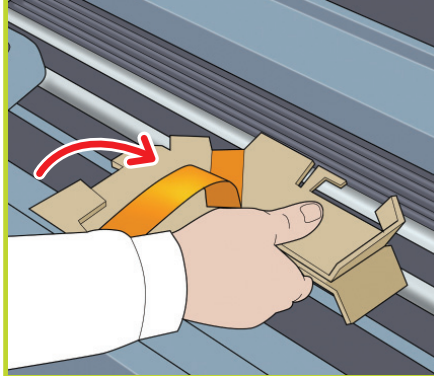
42 Open the window (printer's top cover).



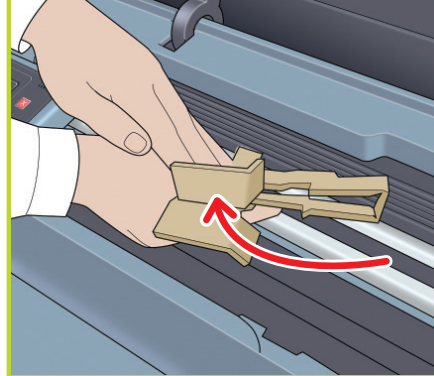
**43** Beside the front panel, you will see a cardboard support attached to the printer with tape. Remove the tape.



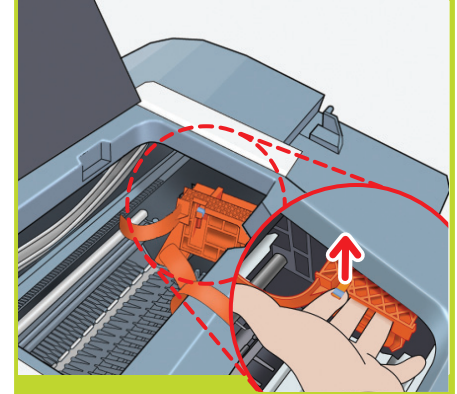
**44** Turn the cardboard support 90° to the right.



**45** Lift the cardboard support up and out of the printer. It will not be needed again; you can discard it.



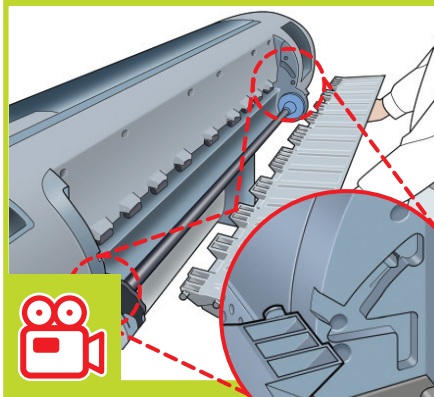
**46** Inside the right-hand side of the printer, you will see an orange carriage stopper. Release the stopper by lifting the lever wrapped with light blue paper, then remove the stopper from the printer.



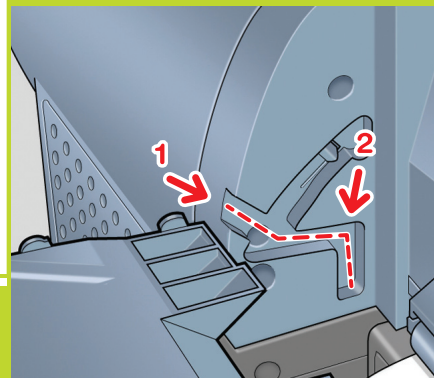
**47** Part of the stopper may fall off while you are removing it; in this case, remove both parts. The stopper will not be needed again; you can discard it.



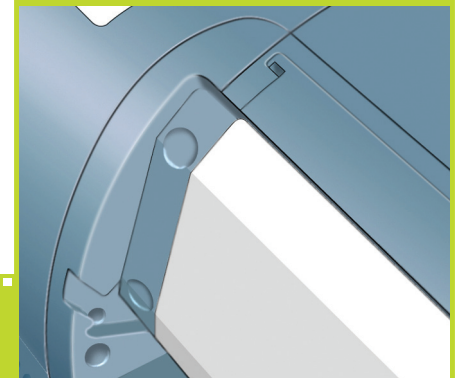
**48** Move to the rear of the printer and fit the rear tray to the printer.



**49** Slide it in and then down.

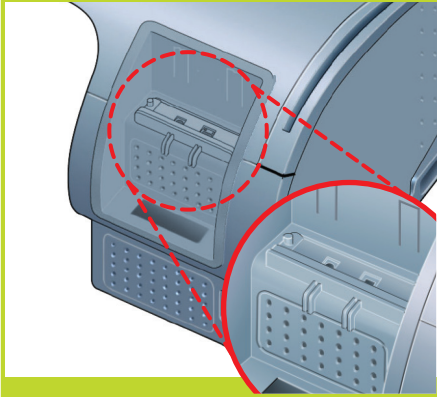


**50** Push up the back of the tray into its closed position.

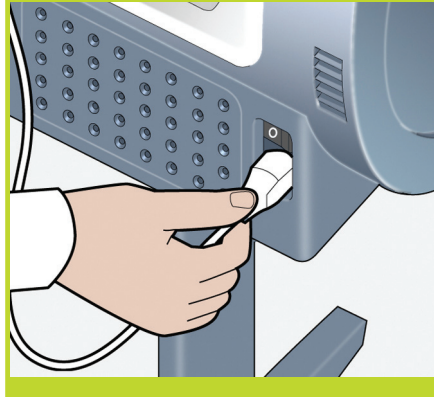




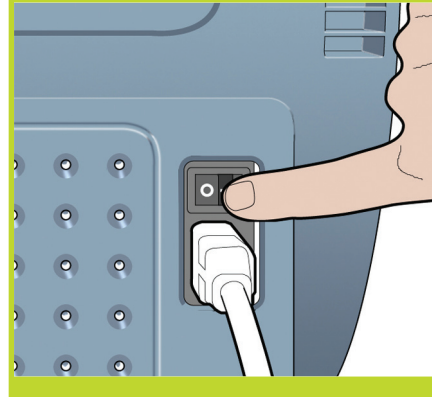
**51** Connect the supplied network cable to the appropriate socket on the rear right of the printer, and secure the cable with the clip provided, to prevent accidental unplugging.



**52** Connect the power cable to the printer's power socket.

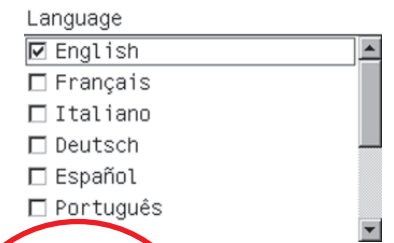


**53** Switch on power to the printer using the switch just above the power socket. Remove the plastic film covering the window and the plastic film covering the front panel (LCD display).



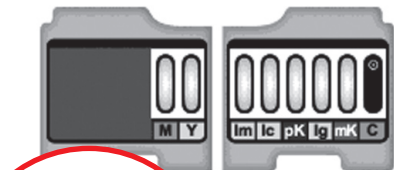
**Install the ink cartridges**

**54** On the front panel, the HP logo appears. Please wait a while. You will then be prompted to select the language of the printer.

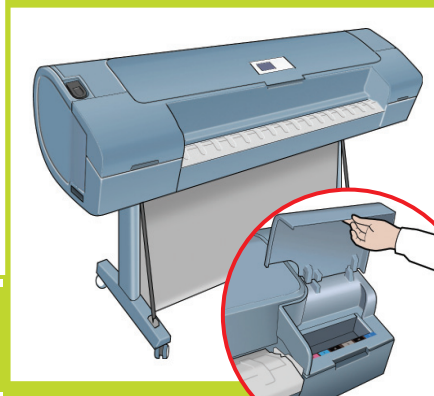


**55** Then the printer checks for the presence of ink cartridges. On finding none, it prompts you to install the ink cartridges.

Ink cartridge missing.  
Install ink cartridge



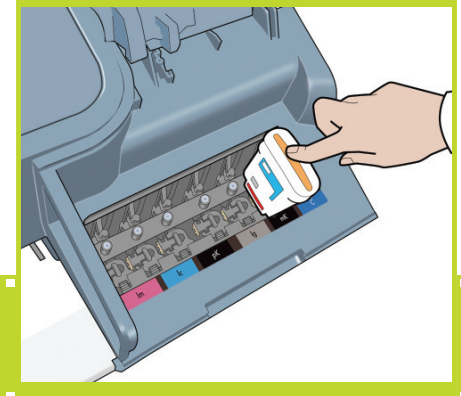
**56** Open the cover on the right-hand side of the printer.



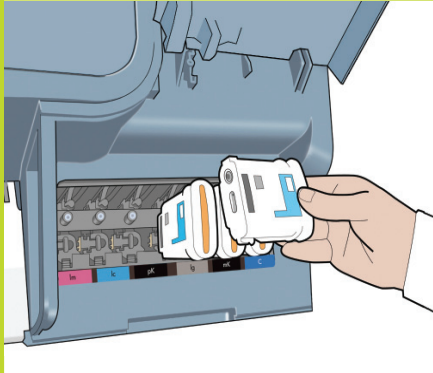
**57** Shake each ink cartridge for about 10 seconds before unwrapping it.



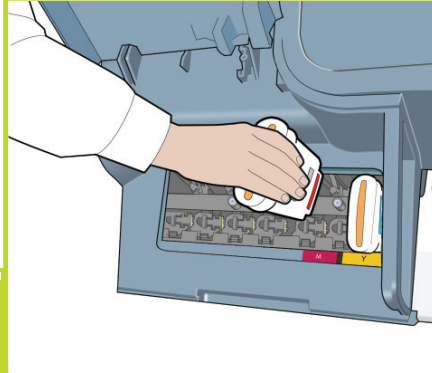
**58** Insert the ink cartridges one by one. Each cartridge is marked with its own color, and should be inserted only into the slot of the same color. Avoid touching pins, leads or circuits.



**59** The cartridges must be inserted the right way around: the ink outlet in the cartridge should meet the ink inlet in the slot. Push the cartridge into the slot until it clicks into place. The printer beeps whenever a cartridge is successfully inserted.

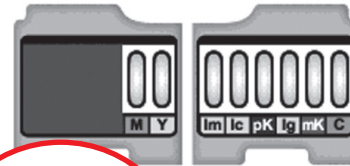


**60** When you have inserted the correct cartridges into the right-hand side of the printer, open the cover on the left-hand side and insert the other cartridges there.



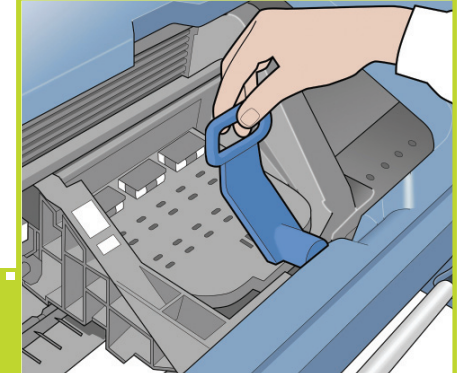
**61** When you have inserted all of the ink cartridges correctly, the printer must prepare the ink system for its first use. It will do this immediately if you press the OK key, or after a 60-second pause if you do not press the OK key. When the ink system is ready, the front panel will prompt you to open the window.

Press **OK** to continue

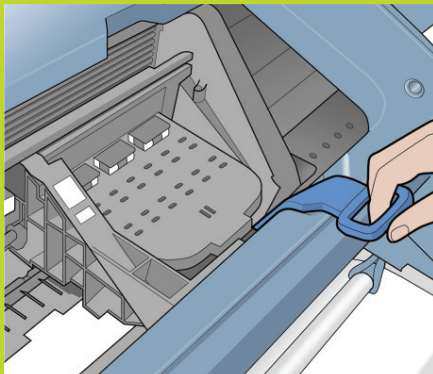


Install the printheads

**62** Open the window and grasp the blue handle of the printhead cover.



**63** Pull the blue handle towards you as far as it will go.



**64** Lift the handle up to open the printhead cover. The front panel prompts you for the next step: removing the printheads. Do not press OK until you have removed all the printheads.

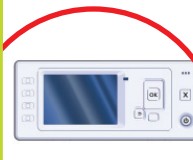


**65** The front panel prompts you to remove the setup printheads and press the OK key when you have finished.

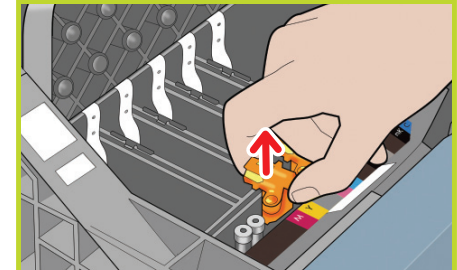
Attention

Remove setup printheads and dispose of them.

Press **OK** to continue



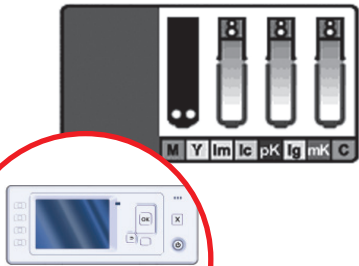
**66** Remove and discard all orange setup printheads. You may need to use force to extract each printhead. The setup printheads contain ink, which could leak out. Avoid touching pins, leads or circuits.





**67** Press the OK key on the front panel when you have removed all of the setup printheads. The front panel then prompts you to install the new printheads.

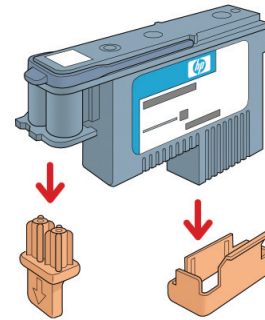
Lift printhead cover.  
Install missing printheads



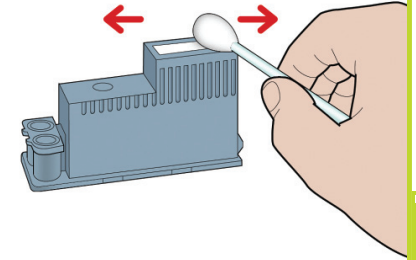
**68** Shake each new printhead before unwrapping it. This will reduce the time the printer takes to check the printheads later.



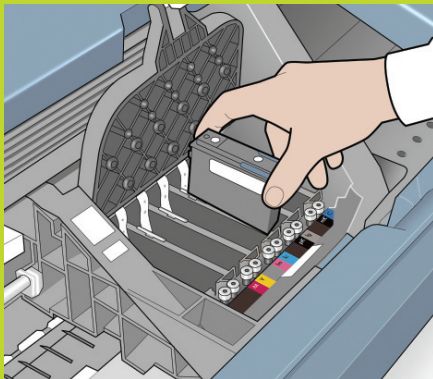
**69** After shaking, unwrap each printhead and remove all orange parts.



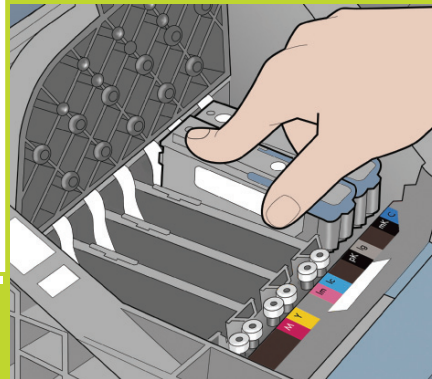
**70** Wipe the printhead nozzles with the cotton bud provided with the printhead.



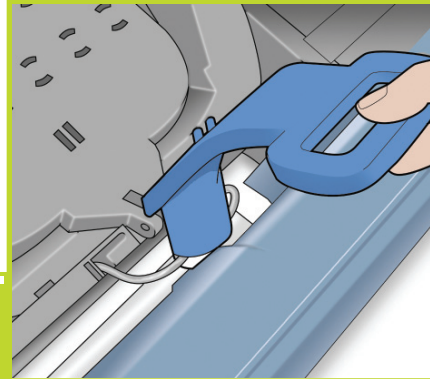
**71** Insert the printheads one by one. Each printhead is marked with its own colors, and should be inserted only into the correct slot marked with the same colors. Insert the printheads with the blue handle towards you.



**72** Push each printhead into the slot until it clicks into place. The front panel tells you whether the printhead has been inserted correctly.

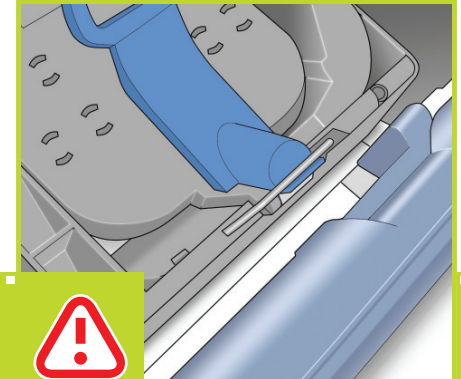


**73** Pull the blue handle towards you as far as it will go, picking up the latch in the process.



**74** Push the handle down on top of the printhead cover. The printer checks and prepares the new printheads, which may take 30 to 40 minutes depending on the condition of the printheads and of the environment.

**Close the window.**



**75** While the printer is preparing the printheads, you could spend the time installing the printer software on your computer. Be sure to follow the software installation instructions. Connecting your printer before installing the software can lead to printer errors.



**76** Once the printhead check has finished the printer will be ready to load paper for the printhead alignment.

Load valid paper for printhead alignment

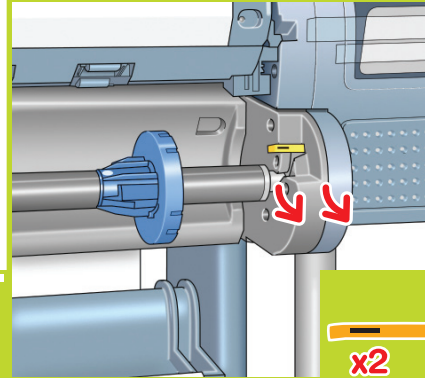
<http://xyz>  
<http://xx.yy.zz.www>

Press  to enter menu

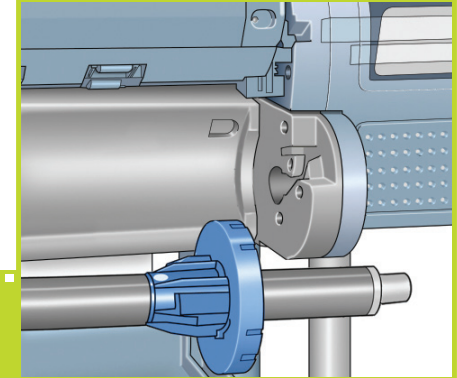


Load a roll of paper

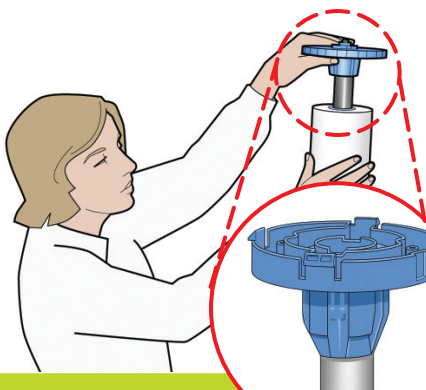
**77** When the front panel prompts you to load paper for printhead alignment, go to the rear of the printer, and remove the orange stoppers from each end of the spindle.



**78** Remove the spindle by lifting out first the right-hand end, then the left.

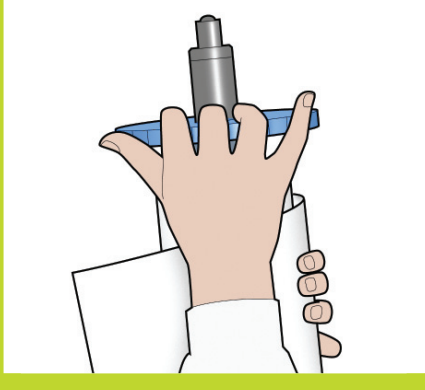


**79** If the blue removable stop is on the spindle, remove it. Put the roll onto the spindle, making sure to put it on the right way round: the leading edge of the paper should go into the printer from the top of the roll. Add the removable stop to the spindle to keep the roll in place.

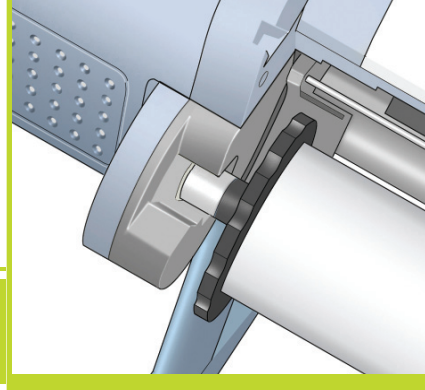


**80** Push the removable stop towards the roll as far as it will go.

**No gap should be left between stop and paper.**

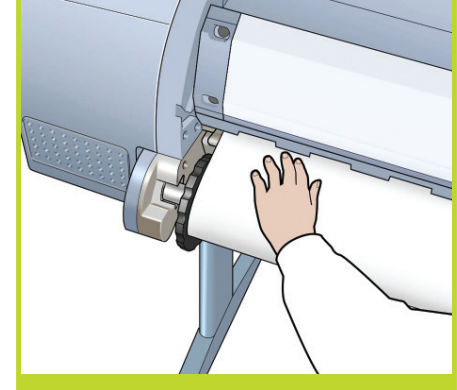


**81** Replace the spindle into the printer, left end first, with the fixed stop on the left and the blue removable stop on the right.



Align the printheads

**82** Feed the leading edge of the paper into the printer until the printer takes hold of it. Then move to the front of the printer.



**83** The front panel will ask whether you are loading roll or sheet paper. The printer will proceed to align the printheads. This process involves printing, and therefore needs to use some paper.



**84** The front panel will display a series of messages showing the progress of the printhead alignment. There is no need to take any action until the alignment has finished, when you will see the message shown below. Press the OK key.

Printhead alignment  
Calibration successfully  
completed.  
Press **OK** to continue



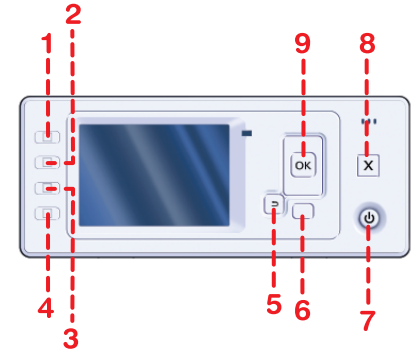
**85** You can now, or at some later time, color-calibrate the paper type that you intend to use in the printer. Color calibration is recommended for accurate color printing. It can be started from the Printer Utility program installed as part of your printer software, or from the front panel's Image Quality Maintenance menu.

Ready  
  
<http://xyz>  
<http://xx.yy.zz.www>  
  
Press **Menu** to enter  
menu



**86**

1- View ink levels	6- Menu
2- View loaded paper	7- Power
3- Unload paper	8- cancel
4- Form feed and cut	9- OK
5- Back	



# Setting up and connecting your printer Mac OS

## 1. Setting up and connecting your printer: Mac OS X

### Network connection (Bonjour/Rendezvous)

1. Make sure that the printer is on and connected to a working Ethernet network, and that all computers in the network are on and connected (including hubs and routers).

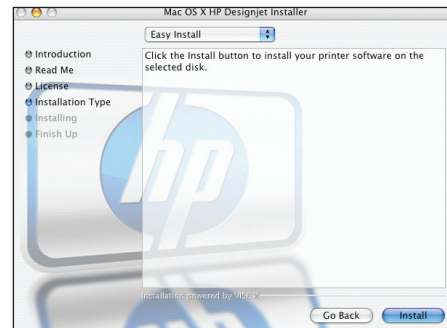
2. Go to your printer's front panel, use the Menu key if necessary to find the main menu, and select the icon. If you have a Z2100 or Z3100 select 'Fast Ethernet' followed by 'View configuration' and if you have a Z3100ps GP select 'Gigabit Ethernet' followed by 'View configuration'.

3. Insert the HP Start-Up Kit DVD into your DVD drive, open the DVD icon on your screen, and look for the 'Mac OS X HP Designjet Installer' icon.

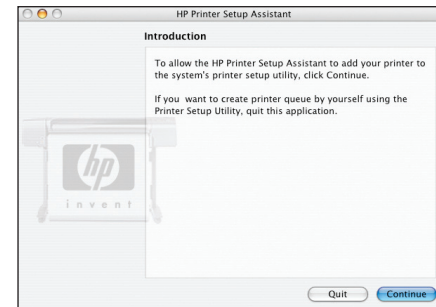


4. Double-click the appropriate icon to launch the installer, and then follow the on-screen instructions. Note: if you have an HP Designjet Z2100 or Z3100 we recommend that you select 'Easy Install' to install all elements.

If you have an HP Designjet Z3100ps GP we recommend that you select 'Easy Install' to install the PostScript driver and the HP Printer Utility. If you wish to install the PCL3 raster driver, select 'Custom Install'."



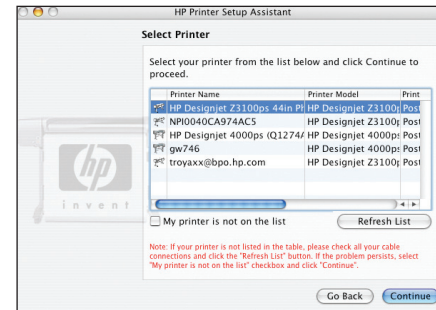
5. Follow the on-screen instructions that take you through the driver installation until you see the HP Printer Setup Assistant.



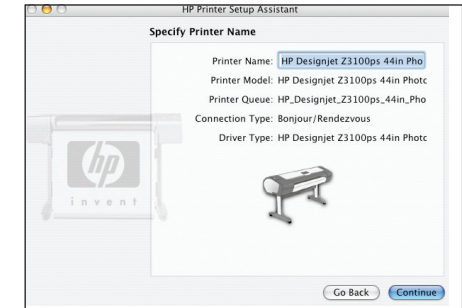
6. In the HP Printer Setup Assistant, click 'Continue'.

7. In the list of printers that appears, select a line that contains the mDNS service name of your printer in the Printer Name column, and 'Bonjour/Rendezvous' in the Connection Type column. Scroll sideways if necessary to see the Connection Type column.

- If your printer appears in the list, click 'Continue' and go to step 8.
- If your printer does not appear in the list, go to step 10.



8. The following screen displays information about your printer's installation, where the name of the printer can be modified. Make your changes if necessary and click 'Continue'.



9. Your printer is now connected. Select 'Create new queue' to connect another printer to the network, or 'Quit' to close the application.

10. Select 'My printer is not on the list' and click 'Continue'.

11. Select the connection type.

12. Follow the on-screen instructions that help you to connect your printer to the network, and select 'Quit' to close the assistant window.

### USB connection

1. Do not connect the computer to the printer yet. You must first install the printer driver software on the computer, as follows.

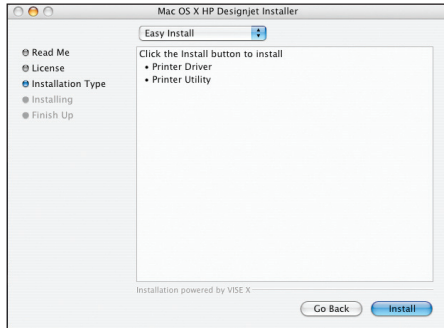
2. Insert the HP Start-Up Kit DVD into your DVD drive, open the DVD icon on your screen, and look for the 'Mac OS X HP Designjet Installer' icon.



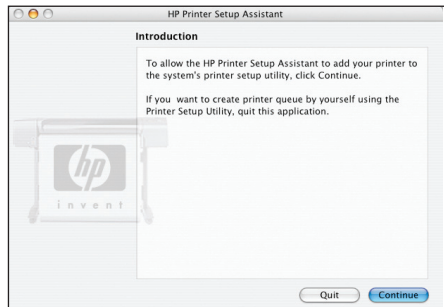


**3.** Double-click the appropriate icon to launch the installer, and then follow the on-screen instructions. Note: Note: if you have an HP Designjet Z2100 or Z3100 we recommend that you select 'Easy Install' to install all elements.

If you have an HP Designjet Z3100ps GP we recommend that you select 'Easy Install' to install the PostScript driver and the HP Printer Utility. If you wish to install the PCL3 raster driver, select 'Custom Install'."



**4.** Follow the on-screen instructions that take you through the driver installation until you see the HP Printer Setup Assistant.

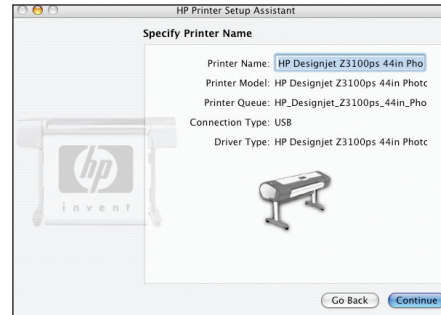


**5.** Connect your computer to the printer using a USB cable. Ensure that the printer is switched on.

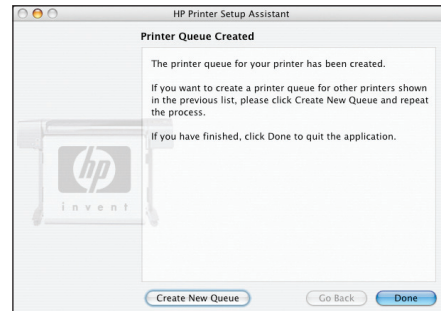
**6.** In the HP Printer Setup Assistant, click 'Continue'.

**7.** In the list of printers that appears, select the entry that uses the connection type 'USB' and click 'Continue'.

**8.** The following screen displays information about your printer's installation, where the name of the printer can be modified. Make your changes if necessary and click 'Continue'.



**9.** Your printer is now connected. Select 'Create new queue' to connect another printer, or 'Quit' to close the application.





## Setting up and connecting your printer Windows



### 1. Setting up and connecting your printer: Windows

**Network connection**  
A network connection is the best way to share your printer with your team.

1. Make sure that the printer and the computer are both connected to the network.

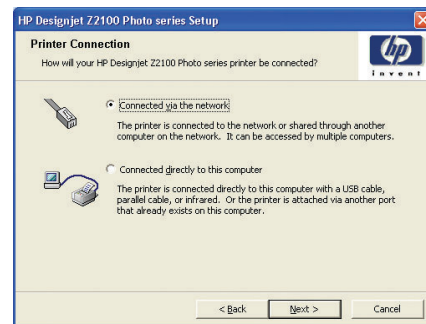
2. Make a note of the printer's IP address, shown on the front panel's Ready page. If you don't see the Ready page on the front panel, press the Menu key once or twice until you see it.

3. Insert the HP Start-Up Kit DVD into your DVD drive. If the DVD does not autorun, run the START.EXE program in the root folder of the DVD.

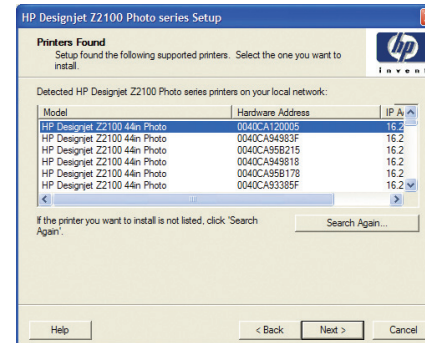
4. Click the Install button.

5. Follow the instructions on your screen to set up the printer. The following notes will help you to understand the screens and make appropriate choices:

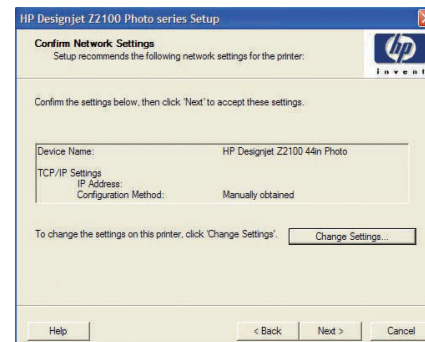
- When asked how the printer is connected, choose 'Connected via the network'.



- Select your printer from the list. If you have more than one HP Designjet Z2100/Z3100 printer connected to the network, use the IP address that you noted earlier to confirm that you have selected the correct printer.



- When the network settings of the selected printer are displayed, check that they are correct.



### USB connection

**A direct USB connection may be faster than a network connection, but the cable is limited in length and it is more difficult to share the printer.**

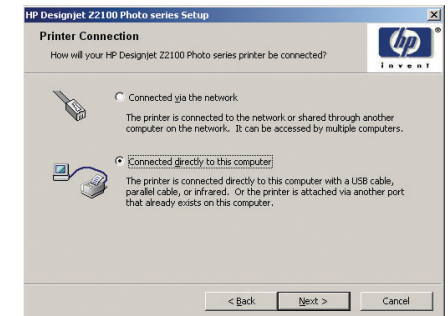
1. Do not connect the computer to the printer yet. You must first install the printer driver software on the computer, as follows.

2. Insert the HP Start-Up Kit DVD into your DVD drive. If the DVD does not autorun, run the START.EXE program in the root folder of the DVD.

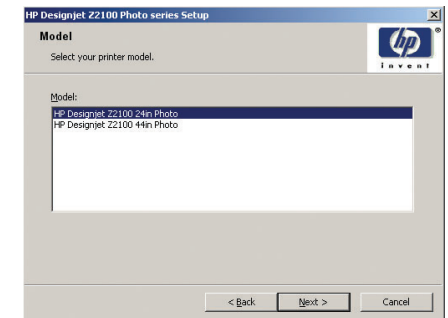
3. Click the Install button.

4. Follow the instructions on your screen to set up the printer. The following notes will help you to understand the screens and make appropriate choices:

- When asked how the printer is connected, choose 'Connected directly to this computer'.



- When asked which printer model you have, select the 24-inch or 44-inch model.



- When prompted to do so, connect your computer to the printer, using a USB cable. Ensure that the printer is switched on.

5. Your printer is now ready to use, printer setup is complete.

HP Color Center  
HP Accessories  
EFI Designer Edition  
HP Advanced Profiling Solution

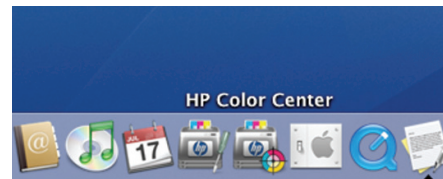
## HP Color Center and Accessories

HP Color Center provides in one place the main facilities you will need for color management. You can create accurate color prints by using the Color Center to calibrate the printer, create and install custom ICC color profiles, and manage the numerous paper types available for your printer.

To access HP Color Center from Windows click on this icon which you will have on the desktop.



To access HP Color Center from Mac OS click on this icon which you will find on the dock.



Optionally, HP also offers tailored solutions for graphic designers and professional photographers specifically developed to satisfy the most demanding requirements.

## EFI Designer Edition

Only for HP Designjet Z2100 and HP Designjet Z3100

The EFI Designer Edition for HP Raster Image Processor, tailored for HP printers, offers a powerful, yet cost-effective digital proofing system that allows full control over digital proofing needs and saves hassle, time and money. Together, EFI and HP enable designers, photographers and other creative professionals to easily generate proof quality prints with sharp detail, color accuracy and smooth tonal transitions.

EFI Designer Edition comprises an intuitive, easy-to-use interface and an Adobe PostScript 3 engine (Adobe CPSI). It offers PDF/X support, a nesting function and selectable RIP resolutions. The Adobe CPSI Interpreter supports in-RIP separation, overprinting, and handling of 2-byte fonts via a font-download facility.

- Advanced proofing capabilities. EFI Designer Edition produces accurate color proofs at the creation stage, allowing designers to find and fix costly errors early, save time and accurately simulate final press output.
- Seamless integration with other applications. With Adobe Configurable PostScript 3, EFI Designer Edition integrates effortlessly with other illustration, photo and layout applications.
- Accurate color. The solution includes several key features for advanced color management in RGB, grayscale or CMYK workflows. Its Ugra/FOGRA Media Wedge 2.0 allows users to achieve correct color, while Spot Color Editor supports an unlimited number of spot colors and libraries for PANTONE, HKS and Toyo.
- Extended profile options. The flexible EFI Designer Edition includes reference profiles for selected printing methods, such as offset or newspaper, and paper profiles for EFI and printer manufacturers' paper types. If users prefer to use their own profiles, Profile Connector enables them to integrate them into the workflow.

EFI Designer Edition for HP is an optional accessory for your printer.

The product numbers are:  
Q6643/4D XL for HP Designjet Z2100  
HP Designjet Z3100 will be supported by a downloadable update for Q6643/4D when available from [www.hp.com/go/designjet](http://www.hp.com/go/designjet)



## HP Advanced Profiling Solution

HP and GretagMacbeth have worked together to develop the HP Advanced Profiling Solution, powered by GretagMacbeth™ technology, which takes advantage of the built-in HP Embedded Spectrophotometer to provide a revolutionary end-to-end calibrated ICC color workflow.

The HP Advanced Profiling Solution, tailored for HP printers, offers a powerful and automated, yet cost effective color management system that allows a fully streamlined workflow that allows you to save the hassle of off-line measurement devices, time and money. Together, GretagMacbeth and HP provide a new experience to designers, photographers and other creative professionals to accurately and consistently generate proofs and photo quality prints.

The Advanced Profiling Solution includes:

- The HP Colorimeter monitor calibrator, with which you can accurately calibrate and profile all of your monitors: LCD, CRT, and laptops
- An ICC profiling and editing software application providing additional features and functionality beyond those included in the HP Color Center

Using the Advanced Profiling Solution, you can:

- See matching colors on your screen and printed paper.
- Generate color profiles for all your paper types, in RGB and (if you are using RIP software) CMYK.
- Edit your color profiles visually for maximum control.
- Perform all operations easily using a step-by-step software interface—no extra manuals needed.

The HP Advanced Profiling Solution is an optional accessory if you have an HP Designjet Z2100 or Z3100 Photo Printer it is supplied in the box if you have an HP Designjet Z3100ps GP Photo Printer. It is fully supported by HP, so you do not need to deal with various support organizations from different companies.

### Key Features

The HP Advanced Profiling Solution lets you take control of your color:

- Calibrate and profile all of your monitors – LCD, CRT and laptops
- Automated RGB media profiling via HP software drivers to ensure accurate printing (photos, designs, etc.)
- Automated CMYK media profiling when your Designjet Z Photo printer is driven by a Raster Image Processor (RIP) for accurate digital prints and proofs.
- Easily and visually edit your profiles for ultimate color control.

Powered by

