

# Illustrated Parts & Service Map

## HP rp5700 Business System



© 2006, 2009, 2010 Hewlett-Packard Development Company, L.P. The information contained herein is subject to change without notice. HP shall not be liable for technical or editorial errors or omissions contained herein. Intel, Pentium, Intel Inside, and the Intel logo are trademarks or registered trademarks of the Intel Corporation and its subsidiaries in the U. S. and other countries.

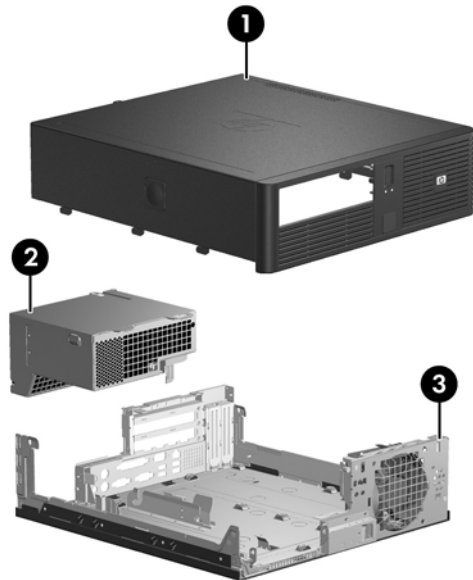
Document Number 447884-003. 3rd Edition, June 2010



### Key Specifications

|                        |   |
|------------------------|---|
| Processor Type:        | Intel Celeron D, Intel Pentium 4, or Intel Core 2 Duo   |
| RAM Type:              | DDR PC2-5300 667 MHz, non-ECC   |
| Maximum RAM Supported: | 4 GB  |
| Expansion Bus:         | PCI 2.3   |
| Graphics Adapter       | Integrated controller. ADD2 support.  |
| Hard drive interface:  | SATA 3.0 Gb/s   |
| I/O Interfaces:        | Serial (2 std. or powered optional some models), parallel (1), USB 2.0 (6 std. + 4 powered optional some models), RJ-45 (1), front and rear audio jacks (2 each), PS/2 (2 ea), video DSUB |

### Spare Parts

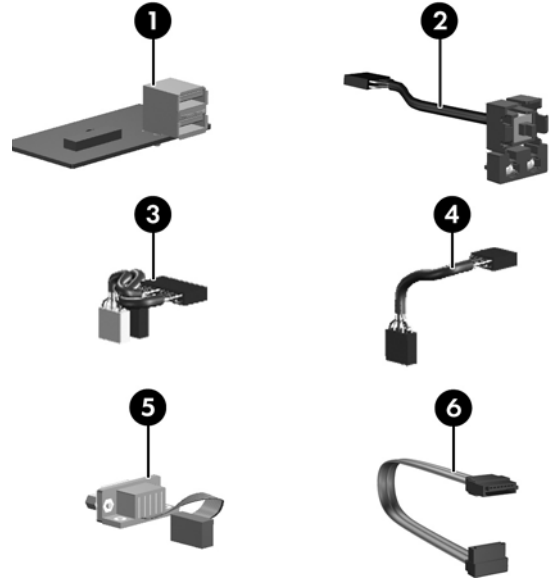


#### System Unit

|   |   |            |
|---|---|------------|
| 1 | Hood assembly with front bezel for use in models with serial numbers xxx944xxxx or earlier  | 445765-001 |
| * | Hood assembly with front bezel for use in models with serial numbers xxx944xxxx or later ** | 578190-001 |
| 2 | Power supply, 80Plus for use in models with serial numbers xxx944xxxx or earlier            | 445771-001 |
| * | Power supply, 80Plus for use in models with serial numbers xxx944xxxx or later **           | 578189-001 |
| 3 | Chassis   | not spared |

\* Not shown

\*\* EUP Lot 6 and Jack Black color change



#### Cables

|                                     |  |            |
|-------------------------------------|--|------------|
| 1                                   | Front USB device with cable            | 445759-001 |
| 2                                   | Power switch/LED assy with cable       | 445760-001 |
| Expansion card cable kit, includes: |  | 445777-001 |
| 3                                   | Powered USB card cable (445792-001)    |            |
| 4                                   | Powered serial card cable (445791-001) |            |
| 5                                   | Flying serial port with cable          | 445768-001 |
| SATA drive cable kit, includes:     |  | 445763-001 |
| 6                                   | 11.8-inch cable (381868-013)           |            |
| 6                                   | 19.7-inch cable (381868-012)           |            |
| 6                                   | 20.9-inch cable (381868-011)           |            |

\* Not shown

#### Mass Storage Devices

|   |   |            |
|---|---|------------|
| * | 16X SATA DVD-ROM drive 5.25-inch bezel blank for use in models with serial numbers xxx944xxxx or earlier      | 405761-001 |
| * | 16X SATA DVD-ROM drive 5.25-inch bezel blank for use in models with serial numbers xxx944xxxx or later **     | 419496-001 |
| * | 16X SATA DVD±RW and CD-RW drive with LightScribe for use in models with serial numbers xxx944xxxx or earlier  | 447310-001 |
| * | 16X SATA DVD±RW and CD-RW drive with LightScribe for use in models with serial numbers xxx944xxxx or later ** | 581059-001 |
| * | 80-GB\7200 RPM SATA hard drive, 8MB buffer  | 440754-001 |
| * | 160-GB\7200 RPM SATA hard drive, 8MB buffer   | 440499-001 |
| * | 250-GB\7200 RPM SATA hard drive, 8MB buffer   | 440747-001 |

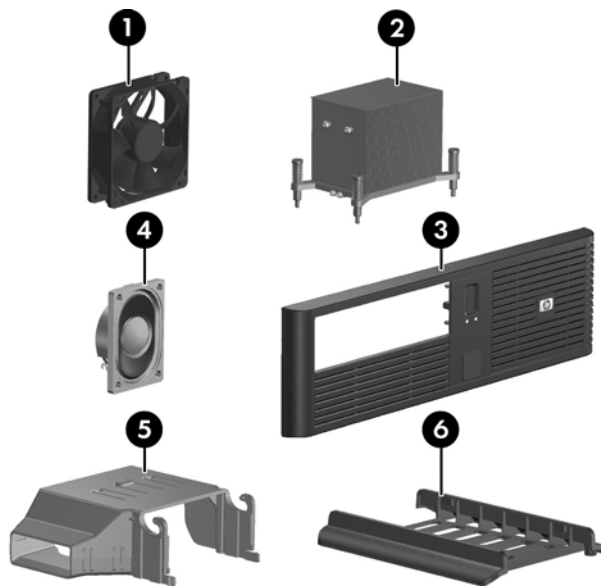
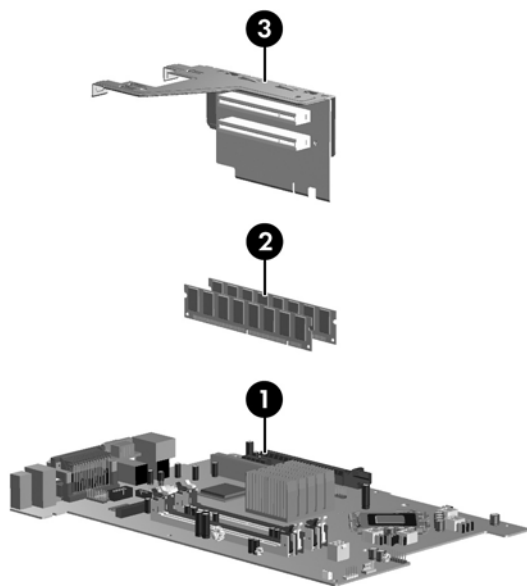
\* Not shown

\*\* EUP Lot 6 and Jack Black color change

#### Keyboards (not illustrated)

|                                      |            |                            |      |
|--------------------------------------|------------|----------------------------|------|
| PS/2, Basic Vista                    | 435302-xxx |                            |      |
| USB, Basic Vista                     | 435382-xxx |                            |      |
| USB, Basic Vista (BG 1650 certified) | 435384-xxx |                            |      |
| Arabic <sup>[1]</sup>                | -171       | LA Spanish <sup>[1]</sup>  | -161 |
| Belgian                              | -181       | Netherlands <sup>[1]</sup> | -331 |
| BHCSY <sup>[1]</sup>                 | -B41       | Norwegian <sup>[1]</sup>   | -091 |
| Czech <sup>[1]</sup>                 | -221       | Polish <sup>[1]</sup>      | -121 |
| Danish                               | -081       | Portuguese <sup>[1]</sup>  | -131 |
| Finnish <sup>[1]</sup>               | -351       | Russian <sup>[1]</sup>     | -251 |
| French                               | -051       | Slovakian <sup>[1]</sup>   | -231 |
| French Arabic <sup>[1]</sup>         | -DE1       | Spanish <sup>[1]</sup>     | -071 |
| German                               | -041       | Swedish                    | -101 |
| Greek <sup>[1]</sup>                 | -151       | Swiss                      | -111 |
| Hebrew <sup>[1]</sup>                | -BB1       | Turkish <sup>[1]</sup>     | -141 |
| Hungarian <sup>[1]</sup>             | -211       | U.K. <sup>[1]</sup>        | -031 |
| International                        | -B31       | U.S. <sup>[1]</sup>        | -001 |
| Italian                              | -061       |                            |      |

[1] Not for 435384-xx1



### Standard and Optional Boards

| System Boards with thermal grease, alcohol pad, CPU socket cover, and mounting screws |   |            |
|---|---|------------|
| 1   | System board for use in models with serial numbers xxx944xxxx or earlier                    | 445757-001 |
| *   | System board for use in models with serial numbers xxx944xxxx or later **                   | 578188-001 |
| *   | System board for use in models with serial numbers xxx944xxxx or earlier (for Russia only)  | 445764-001 |
| *   | System board for use in models with serial numbers xxx944xxxx or later (for Russia only) ** | 592231-001 |
| Intel Celeron Processors with alcohol pad and thermal grease                          |   |            |
| *   | #440, 512K cache, 2.0 GHz, 533 MHz FSB  | 449166-001 |
| Intel Pentium 4 Processors with alcohol pad and thermal grease                        |   |            |
| *   | #E2160, 1 MB cache, 1.8 GHz, 800 MHz FXSB   | 449168-001 |
| Intel Core 2 Duo Processors with alcohol pad and thermal grease                       |   |            |
| *   | #E7400, 3 MB cache, 2.80 GHz, 1066 FSB  | 581070-001 |
| *   | #E6400e, 2 MB cache, 2.13 GHz, 1066 FSB   | 450470-001 |
| Memory modules  |   |            |
| 2   | 512 MB, PC2-5300, CL5   | 396520-001 |
| *   | 1 GB, PC2-5300, CL5   | 398038-001 |
| 3   | Riser card with mounting bracket and screws   | 445758-001 |
| Other boards  |   |            |
| *   | Powered serial port expansion card with cable   | 445775-001 |
| *   | Powered USB expansion card with cable   | 445776-001 |
| *   | DVI-D ADD2 graphics, LP   | 398333-001 |
| *   | Agere International 56K Modem, FH   | 398661-001 |
| *   | Wireless LAN adapter, 802.11 ABG, WorldWide   | 391866-001 |
| *   | Wireless LAN adapter, 802.11 ABG, North America   | 391866-002 |

\* Not shown  
 \*\* EUP Lot 6 and Jack Black color change  
 LP = Low profile  
 FH = Full height

### Miscellaneous Parts

|   |  |            |
|---|--|------------|
| 1 | Chassis fan  | 445761-001 |
| 2 | Heatsink with alcohol pad and factory-applied thermal grease                                     | 445774-001 |
| * | Mouse, PS2, scroll type  | 390937-001 |
| * | Mouse, PS2, optical  | 417966-001 |
| * | Battery, real-time clock   | 153099-001 |
| 3 | Front bezel without mounting screws for use in models with serial numbers xxx944xxxx or earlier  | 445766-001 |
| * | Front bezel without mounting screws for use in models with serial numbers xxx944xxxx or later ** | 578191-001 |
| 4 | Internal speaker   | 445762-001 |
| 5 | Fan duct   | 445776-001 |
| 6 | Tower stand for use in models with serial numbers xxx944xxxx or earlier                          | 445770-001 |
| * | Tower stand for use in models with serial numbers xxx944xxxx or later **                         | 578193-001 |
| * | 5.25-inch bezel blank for use in models with serial numbers xxx944xxxx or earlier                | 335937-001 |
| * | 5.25-inch bezel blank for use in models with serial numbers xxx944xxxx or later **               | 570838-001 |

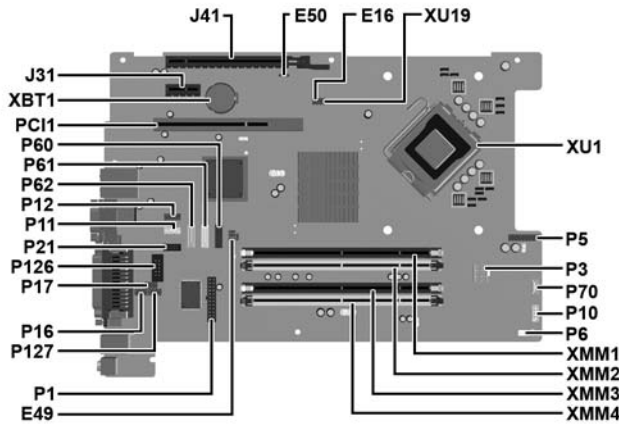
\* Not shown

\*\* EUP Lot 6 and Jack Black color change

### Power Supply Cable Connections

| CABLE DESIGNATOR | DEVICE                             |
|------------------|------------------------------------|
| P1               | System board., 24-pin              |
| P2               | CPU power, 6-pin                   |
| P3               | Powered USB port expansion card    |
| P4               | Powered serial port expansion card |
| P5               | 2nd SATA hard drive                |
| P6               | 1st SATA hard drive                |
| P7               | Optical drive                      |

## System Board



**System Board Connectors and Jumpers (position of some untitled components may vary in location)**

|            |                                  |              |                         |
|------------|----------------------------------|--------------|-------------------------|
| E16        | ROM recovery                     | P21          | Powered COM port card   |
| E49        | Password                         | P126         | COM2 connector          |
| E50        | CMOS                             | PC11         | PC riser                |
| J31        | PCI express x1 slot              | P60          | SATA0                   |
| J41        | ADD 2 card socket                | P61          | SATA1                   |
| P1         | Main power                       | P62          | SATA2                   |
| P3         | CPU power                        | P70          | Chassis fan             |
| P5         | Power button/LED                 | XBT1         | Real-time-clock battery |
| P6         | Internal speaker                 | XU1          | Processor               |
| P10        | Front USB                        | XU19/<br>U19 | SPI ROM and socket      |
| P11        | USB0 Powered USB card            | XMM1         | DIMM 1                  |
| P12        | USB1 Powered USB card            | XMM2         | DIMM 2                  |
| P16 & P127 | COMx power configuration jumpers | XMM3         | DIMM 3                  |
| P17        | COMx power configuration jumpers | XMM4         | DIMM 4                  |

## System Setup and Boot

Basic system information regarding system information, setup, power management, hardware, and passwords is maintained in the Setup Utility held in the system ROM. The Setup Utility is accessed by pressing the F10 key when prompted (on screen) to do so during the boot sequence. If the screen prompt opportunity is missed, a restart will be necessary.

### Computer Setup Menu

| Heading   | Option/Description   |
|---|--|
| File  | System Information - Lists the following main system specifications: <ul style="list-style-type: none"> <li>Product name</li> <li>SKU number (some models)</li> <li>Processor type/speed/stepping</li> <li>Cache Size (L1/L2)</li> <li>Memory size/speed/ no. channels</li> <li>Integrated MAC Address</li> <li>System BIOS</li> <li>Chassis serial number</li> <li>Asset tracking number</li> </ul> |
|   | About - Displays copyright notice.   |
|   | Set Time and Date - Allows you to set system time and date.  |
|   | Flash System ROM (some models) - Allows you to select a drive containing a new BIOS.   |
|   | Replicated Setup - Save to Removable Media and Restore from Removable Media  |
|   | Default Setup <ul style="list-style-type: none"> <li>Save Current Settings as Default</li> <li>Restore Factory Settings as Default</li> </ul>  |
|   | Apply Defaults and Exit - Applies the selected default settings and clears any established passwords.  |
|   | Ignore Changes and Exit - Exits Computer setup without applying or saving any changes.   |
| Storage   | Save Changes and Exit - Saves changes to system configuration or default settings and exits Computer Setup.  |
|   | Device Configuration - Lists all installed BIOS-controlled storage devices. The following options are available: <ul style="list-style-type: none"> <li>Hard disk</li> <li>Multisector Transfers (ATA disks only)</li> <li>Translation Mode (ATA disks only)</li> <li>Translation Parameters (ATA disks only)</li> <li>Default Values IDE/SATA</li> </ul>  |
|   | Storage Options - <ul style="list-style-type: none"> <li>Removable Media Boot</li> <li>BIOS DMA Data Transfers</li> <li>SATA Emulation-IDE RAID - SATA 0 and 2, SATA 1</li> </ul>  |
|   | DPS Self-Test - Allows you to execute self-tests on ATA hard drives.   |
| Boot Order - <ul style="list-style-type: none"> <li>Allows you to specify boot order.</li> <li>Shortcut to Temporary Override Boot Order</li> </ul> |  |

### Computer Setup Menu (Continued)

| Heading           | Option / Description  |
|-------------------|---|
| Security          | Setup Password - Allows you to set and enable the setup (Administrator) password.   |
|                   | Power-On Password - Allows you to set and enable power-on password.   |
|                   | Password Options - When any password exists allows you to lock legacy resources, enable/disable network server mode, specify password requirement for warm boot, and allows you to enable/disable Setup Browse Mode.  |
|                   | Embedded Security (some models) - Allows you to enable/disable Embedded Security and power-on authentication support, reset device to factory settings, enable/disable power-on authentication, and reset authentication credentials.   |
|                   | Device Security (some models) - Enables/disables all I/O ports, audio, network controllers, and embedded security devices.  |
|                   | Network Service Boot - Enables/disables boot from OS on a server.   |
|                   | System IDs - Allows you to set Asset tag, ownership tag, chassis serial number, UUID, and keyboard locale setting.  |
|                   | DriveLock Security - Allows you to assign/modify a hard drive password for added security.  |
|                   | OS Security - Allows you to enable/disable Data Execution Prevention, OS management of Enabled Security Devices, reset Embedded Security Devices, and Intel Virtualization Technology.  |
|                   | Setup Security Level - allows changing some options outside of F10 setup  |
| Power             | OS Power Management - Allows you to enable/disable Runtime Power Management, ACPI S3 Hard Disk Reset, and ACPI S3 PS2 Mouse Wakeup. Also allows you to improve Idle Power Savings and to permit system to awaken when USB device is inserted.   |
|                   | Hardware Power Management - Allows you to enable/disable SATA bus power management.   |
|                   | Thermal - Allows you to control minimum permitted fan idle speed.   |
| Advanced Features | Power-On Options - Allows you to set: <ul style="list-style-type: none"> <li>POST mode - QuickBoot, FullBoot, or FullBoot every 1-30 days.</li> <li>POST messages - Enable/disable</li> <li>MEBx Setup prompt - Enable/disable or hidden/displayed</li> <li>F9 prompt - Enable/disable</li> <li>F10 prompt - Enable/disable</li> <li>F11 prompt - hidden/displayed</li> <li>F12 prompt - Enable/disable</li> <li>Factory Recovery Boot Support - Enable/disable</li> <li>Option ROM prompt - Enable/disable</li> <li>Remote wakeup boot source - Remote server/local hard drive</li> <li>After Power Loss - Off/on/previous state</li> <li>POST delay - None, 5, 10, 15, or 20 seconds</li> <li>I/O APIC mode - Enable/disable</li> <li>Hyperthreading - Enable/disable</li> <li>Limit CPUID</li> </ul> |
|                   | Execute Memory Test (some models) - Restarts computer and executes POST memory test.  |
|                   | BIOS Power-On - Allows you to set the computer to turn on at a preset time.   |
|                   | Onboard Devices - Allows you to set resources or disable onboard system devices.  |
|                   | PCI Devices - Lists installed PCI devices with their IRQ settings and allows you to reconfigure IRQ or disable devices.   |
|                   | PCI VGA Configuration - Allows you to specify which VGA controller will be used when multiple video adapters are available.   |
|                   | Bus Options (some models) - Allows you to enable/disable PCI SERR# Generation and PCI VGA palette snooping.   |
|                   | Device Options - Allows you to set: <ul style="list-style-type: none"> <li>Printer Mode - Bi-Directional, EPP &amp; ECP, Output Only</li> <li>Num Lock state at power-on - off/on</li> <li>S5 Wake on LAN - enable/disable</li> <li>Processor cache - enable/disable</li> <li>Unique Sleep State Blink Patterns</li> <li>Integrated video - enable/disable</li> <li>Internal speakers (some models)</li> <li>Monitor racking - enable/disable</li> <li>NIC PXE Option ROM Download - enable/disable</li> </ul>  |

### System Hardware Interrupts

| IRQ | System Function              | IRQ | System Function                |
|-----|------------------------------|-----|--------------------------------|
| 0   | Timer Interrupt              | 8   | Real-Time Clock                |
| 1   | Keyboard                     | 9   | Unused                         |
| 2   | Interrupt Controller Cascade | 10  | Unused, available for PCI      |
| 3   | Serial Port (COM B)          | 11  | Unused, available for PCI      |
| 4   | Serial Port (COM A)          | 12  | Mouse                          |
| 5   | Unused, available for PCI    | 13  | Coprocessor                    |
| 6   | Diskette Drive               | 14  | Primary ATA (IDE) Controller   |
| 7   | Parallel Port (LPT 1)        | 15  | Secondary ATA (IDE) Controller |

## Failsafe Boot Block ROM

The computer comes with a reprogrammable flash system ROM (read only memory). To upgrade the ROM, download the latest ROM BIOS image from the HP Web site ([www.hp.com](http://www.hp.com)) and follow the online GUI/instructions.

Your system ROM includes a Failsafe Boot Block that is protected during the flash process and allows the computer to be restarted in the unlikely event of an unsuccessful ROM flash.

If the system detects an invalid system ROM during the boot sequence, the Failsafe Boot Block attempts to locate a valid BIOS image on removable media. To recover from the Boot Block recovery mode complete the following steps:

### Boot Block Recovery

1. Remove any bootable media from the computer and turn off power.
2. Insert a flash drive or CD containing the ROM BIOS.
3. Turn on power to the system.
4. The system will automatically flash the ROM. After a successful flash, the system will either automatically restart or prompt the user to unplug the unit, wait 5 seconds, reattach the power cord, and then press the power button.

## Password Security

### Establishing a Setup password:

1. Turn on or restart the computer. If you are in Windows, click **Start > Shut Down > Restart**.
2. As soon as the computer is turned on, press **F10** when the monitor light turns green to enter Computer Setup. Press **Enter** to bypass the title screen, if necessary. If you do not press **F10** when prompted, a restart will be necessary.
3. Select **Security > Setup Password** and follow the instructions on the screen.
4. Before exiting, click **File > Save Changes and Exit**.

### Establishing a Setup password:

1. Turn on or restart the computer. If you are in Windows, click **Start > Shut Down > Restart**.
2. As soon as the computer is turned on, press **F10** when the monitor light turns green to enter Computer Setup. Press **Enter** to bypass the title screen, if necessary. If you do not press **F10** when prompted, a restart will be necessary.
3. Select **Security > Power-On Password** and follow the instructions on the screen. Before exiting, click **File > Save Changes and Exit**.

### Changing a password:

1. Turn on or restart the computer. If you are in Windows, click **Start > Shut Down > Restart**. To change the Setup password, go to step 2. To change the Power-on password, go to step 3.
2. To change the Setup password, as soon as the computer is turned on, press **F10** when the monitor light turns green to enter Computer Setup. Press **Enter** to bypass the title screen, if necessary.
3. When the key icon appears, type your current password, a slash (/) or alternate de-limiter character, your new password, another slash (/) or alternate delimiter character, and your new password again as shown:

current password/new password/new password.

NOTE: Type the new password carefully since the actual characters do not appear on the screen.

4. Press **ENTER**.

The new password will take effect the next time the computer is restarted.

### Deleting a password

1. Turn on or restart the computer. If you are in Windows, click **Start > Shut Down > Restart**. To delete the Setup password, go to step 2. To delete the Power-On password, go to step 3.
2. To change the Setup password, as soon as the computer is turned on, press **F10** when the monitor light turns green to enter Computer Setup. Press **Enter** to bypass the title screen, if necessary.
3. When the key icon appears, type your current password followed by a slash (/) or alternate delimiter character as shown. Example: `currentpassword/`
4. Press **Enter**.

## Security Features

### NOTE:

For more information about Setup Utilities refer to the Computer Setup Menu on the previous page or in the *Service Reference Guide*.

## Diagnostic Functions

Diagnostic functions are provided by the Setup Utility (in system ROM) and by Insight Diagnostics. Insight Diagnostics provides detailed system information including:

- Processor type and speed
- Memory amount, mapping, and integrity
- Hardware peripheral availability/settings
- Hard drive type, space used/available
- System identification, asset tracking

Insight Diagnostics may be found on the *Documentation and Diagnostics* CD that shipped with the computer. The tool may also be downloaded from the hp Web site using the following procedure:

1. Go to <http://www.hp.com>
2. Click the **Software and Download driver** link.
3. Enter the product number (for example, dc7700) in the text box and press the **Enter** key.
4. Select the specific product.
5. Select the OS.
6. Click the **Diagnostics** link.
7. Select **HP Insight Diagnostics Offline Edition**.
8. Select the proper language and click **Download**.

NOTE: The download includes instructions on how to create a bootable CD. The SoftPq number is SP33665 or later.

## Error Conditions and Messages

| Feature               | Purpose  | How It Is Established |
|-----------------------|--|-----------------------|
| Device Boot Disabling | Prevents booting from and or all of these devices: Internal or external USB, Internal ODD, or Internal FDD | Setup Utilities       |
| Security Option       | Prevents use of computer until password is entered. Can apply to both initial startup and restart.         | Setup Utilities       |
| BIOS Write Protect    | Restricts ability to change ROM BIOS without approval.   | Setup Utilities.      |
| USB Controller        | Allows you to disable or enable all USB devices.   | Setup Utilities       |

### Diagnostic LEDs

| LED   | Color | LED Activity   | State/Message                          |
|-------|-------|--|--|
| Power | Green | On   | Computer on                            |
| Power | Green | 1 blink every 2 seconds                                      | Normal Suspend Mode                    |
| Power | Red   | 1 blink every second followed by a 2 second pause            | CPU thermal shutdown                   |
| Power | Red   | 3 blinks, 1 blink every second followed by a 2 second pause  | Processor not installed                |
| Power | Red   | 4 blinks, 1 blink every second followed by a 2 second pause  | Power failure (power supply overload)  |
| Power | Red   | 5 blinks, 1 blink every second followed by a 2 second pause  | Pre-video memory error                 |
| Power | Red   | 6 blinks, 1 blink every second followed by a 2 second pause  | Pre-video graphics error               |
| Power | Red   | 7 blinks, 1 blink every second followed by a 2 second pause  | System board failure (ROM)             |
| Power | Red   | 8 blinks, 1 blink every second followed by a 2 second pause  | Invalid ROM based on Checksum          |
| Power | Red   | 9 blinks, 1 blink every second followed by a 2 second pause  | System powers on but is unable to boot |
| Power | Red   | 10 blinks, 1 blink every second followed by a 2 second pause | Bad option card                        |
| none  | none  | System does not power on and LEDs are not flashing           | System unable to power on              |

### Common POST Error Messages

| Screen Message                                 | Beeps  | Probable Cause   | Recommended Action   |
|--|--------|--|--|
| 101-Option ROM Error                           | 1L, 1S | 1. System ROM checksum error.<br>2. Expansion card.<br>3. CMOS corruption.<br>4. System board. | 1. Verify ROM, reflash if required<br>2. Remove suspected card, reboot<br>3. Clean CMOS memory, reboot<br>4. Replace system board                      |
| 103-System Board Failure                       | none   | DMA, timers  | 1. Clear CMOS memory.<br>2. Remove expansion board.<br>3. Replace system board.  |
| 164-Memory Size Error and 201 Memory Error     | 2S     | Incorrect memory configuration   | 1. Run Setup (F10).<br>2. Check DIMMs for proper seating, type, and HP compatibility.<br>3. Remove DIMMs singularly and reboot to isolate faulty DIMM. |
| 214-DIMM Configuration Warning                 | none   | Populated DIMM configuration is not optimized  | Rearrange the DIMMs so that each channel has the same amount of memory.  |
| 301-, 304-Key-board error                      | none   | Keyboard failure.  | Check keyboard connection or keys. Replace keyboard. If 304, possible system board problem.  |
| 501-Display Adapter Failure                    | 1L, 2S | Graphics controller.   | 1. Reseat graphics card.<br>2. Check monitor connection.<br>3. Replace graphics card.  |
| 1720-SMART Hard Drive Detects Imminent Failure | none   | Hard drive is about to fail.   | Run drive protection system test if available. Check for firmware patch for erroneous error message.   |
| 1796-SATA Cabling Error                        | none   | One or more SATA devices are improperly attached.  | Ensure SATA0 and SATA1 are used before any other SATA connectors.  |
| 1801-Micro-code Patch Error                    | none   | Processor not supported by ROM BIOS.   | 1. Upgrade BIOS to proper version.<br>2. Change the processor.   |

NOTES: L = long, S = short

### Clearing CMOS

1. Shut down the system and disconnect the power cord from the power outlet.
2. Remove the computer cover.
3. Locate the E50 (CMOS) jumper and move the jumper from pins 1-2 to pins 2-3.
4. Leave the jumper on pins 2-3 for 5 seconds then, return the jumper to pins 1-2.
5. Replace the computer cover and reconnect the power cord.
6. Turn on the computer and allow it to start.