



# **Maintenance and Service Guide**

HP Compaq nc6400 Notebook PC

Document Part Number: 406847-003

March 2007

This guide is a troubleshooting reference used for maintaining and servicing the computer. It provides comprehensive information on identifying computer features, components, and spare parts; troubleshooting computer problems; and performing computer disassembly procedures.

© Copyright 2006, 2007 Hewlett-Packard Development Company, L.P.

Microsoft, Windows, and Windows Vista are either trademarks or registered trademarks of Microsoft Corporation in the United States or other countries. Intel, Celeron, and Core are trademarks or registered trademarks of Intel Corporation or its subsidiaries in the United States and other countries. Bluetooth is a trademark owned by its proprietor and used by Hewlett-Packard Company under license. SD Logo is a trademark of its proprietor. Java is a trademark of Sun Microsystems, Inc. AMD, the AMD Arrow logo and combinations thereof are trademarks of Advanced Micro Devices, Inc.

The information contained herein is subject to change without notice. The only warranties for HP products and services are set forth in the express warranty statements accompanying such products and services. Nothing herein should be construed as constituting an additional warranty. HP shall not be liable for technical or editorial errors or omissions contained herein.

Maintenance and Service Guide  
HP Compaq nc6400 Notebook PC  
Third Edition: March 2007  
First Edition: May 2006  
Document Part Number: 406847-003

## Safety warning notice

---



**WARNING:** To reduce the possibility of heat-related injuries or of overheating the computer, do not place the computer directly on your lap or obstruct the computer air vents. Use the computer only on a hard, flat surface. Do not allow another hard surface, such as an adjoining optional printer, or a soft surface, such as pillows or rugs or clothing, to block airflow. Also, do not allow the AC adapter to contact the skin or a soft surface, such as pillows or rugs or clothing, during operation. The computer and the AC adapter complies with the user-accessible surface temperature limits defined by the International Standard for Safety of Information Technology Equipment (IEC 60950).

---

---

# Contents

## 1 Product Description

1.1 Features . . . . .	1-2
1.2 Resetting the Computer. . . . .	1-4
1.3 Power Management. . . . .	1-5
1.4 External Components . . . . .	1-6
1.5 Design Overview. . . . .	1-24

## 2 Troubleshooting

2.1 Starting Computer Setup. . . . .	2-1
Navigating and selecting in Computer Setup . . . . .	2-2
Restoring Factory Settings in Computer Setup. . . . .	2-3
File Menu . . . . .	2-4
Security Menu. . . . .	2-5
Diagnostics Menu . . . . .	2-7
System Configuration Menu. . . . .	2-7
2.2 Troubleshooting Flowcharts . . . . .	2-10

### **3 Illustrated Parts Catalog**

3.1	Serial Number Location . . . . .	3-1
3.2	Computer Major Components . . . . .	3-2
3.3	Display Assembly Components . . . . .	3-16
3.4	Plastics Kit . . . . .	3-18
3.5	Cable Kit . . . . .	3-19
3.6	Mass Storage Devices . . . . .	3-20
3.7	Miscellaneous (Not Illustrated) . . . . .	3-21
3.8	Sequential Part Number Listing . . . . .	3-23

### **4 Removal and Replacement Preliminaries**

4.1	Tools Required . . . . .	4-1
4.2	Service Considerations . . . . .	4-2
	Plastic Parts . . . . .	4-2
	Cables and Connectors . . . . .	4-2
4.3	Preventing Damage to Removable Drives . . . . .	4-3
4.4	Preventing Electrostatic Damage . . . . .	4-4
4.5	Packaging and Transporting Precautions . . . . .	4-5
4.6	Workstation Precautions . . . . .	4-6
4.7	Grounding Equipment and Methods . . . . .	4-7

---

## 5 Removal and Replacement Procedures

5.1	Serial Number	5-2
5.2	Disassembly Sequence Chart	5-3
5.3	Preparing the Computer for Disassembly	5-5
5.4	Hard Drive	5-7
5.5	Computer Feet	5-11
5.6	Bluetooth Module	5-12
5.7	External Memory Module	5-14
5.8	Mini Card WLAN Module	5-17
5.9	MultiBay II Device	5-21
5.10	Keyboard	5-23
5.11	RTC Battery	5-28
5.12	Internal Memory Module	5-29
5.13	Modem Module	5-31
5.14	Mini Card WWAN Module	5-33
5.15	Switch Cover	5-35
5.16	Power Button Board	5-37
5.17	Fan Assembly	5-38
5.18	Heat Sink	5-39
5.19	Processor	5-42
5.20	Display Assembly	5-44
5.21	Top Cover	5-55
5.22	PC Card/Digital Media Board	5-61
5.23	Speaker	5-64
5.24	Microphone	5-66
5.25	System Board	5-68
5.26	MultiBay II Eject Assembly	5-77

**6 Specifications**

**A Screw Listing**

**B Backup and Recovery in Windows Vista**

**C Backup and Recovery in Windows XP**

**D Display Component Recycling**

**E Connector Pin Assignments**

**F Power Cord Set Requirements**

**Index**

# 1

---

## Product Description

The HP Compaq nc6400 Notebook PC offers advanced modularity, Intel® Core™ Duo, Core Solo, and Celeron® processors, and extensive multimedia support.



*HP Compaq nc6400 Notebook PC*



## 1.1 Features

- The following processors, varying by computer model:
  - ❑ Intel Core Duo T7600 (2.33-GHz) processor
  - ❑ Intel Core Duo T7400 (2.16-GHz) processor
  - ❑ Intel Core Duo T7200 (2.00-GHz) processor
  - ❑ Intel Core Duo T5600 (1.83-GHz) processor
  - ❑ Intel Core Duo T5500 (1.66-GHz) processor
  - ❑ Intel Core Duo T2300E (1.66-GHz) processor
  - ❑ Intel Core Duo T2600 (2.17-GHz) processor
  - ❑ Intel Core Duo T2500 (2.00-GHz) processor
  - ❑ Intel Core Duo T2400 (1.83-GHz) processor
  - ❑ Intel Core Duo T2300 (1.67-GHz) processor
  - ❑ Intel Core Solo T1300 (1.66-GHz) processor
  - ❑ Intel Celeron M 440 (1.80-GHz) processor
  - ❑ Intel Celeron M 430 (1.73-GHz) processor
- 14.1-inch, WXGA+, TFT (1440 × 900) and 14.1-inch, WXGA, TFT (1440 × 900) display, with over 16.8 million colors, varying by computer model
- 120-, 100-, 80-, 60-, and 40-GB high-capacity hard drive, varying by computer model
- 256-MB DDR2 synchronous DRAM (SDRAM) at 533 MHz and 667 MHz, expandable to 4.0 GB
- Microsoft® Windows Vista™ Business, Windows Vista Home Basic, and Windows® XP Professional
- Full-size Windows keyboard with numeric keypad
- TouchPad and pointing stick pointing devices, including a dedicated vertical scroll region
- Integrated 10 Base-T/100 Base-TX Ethernet local area network (LAN) network interface card (NIC) with RJ-45 jack

- Integrated high-speed 56K modem with RJ-11 jack
- Integrated wireless support for Mini Card IEEE 802.11a/b/g or 802.11b/g Wireless LAN (WLAN) device
- Support for one Type I or Type II PC Card slot, with support for both 32-bit (CardBus) and 16-bit PC Cards, varying by computer model
- External 90- and 65-watt AC adapters with 3-wire power cord, varying by computer model
- 8-cell and 4-cell Li-Ion batteries
- Stereo speakers
- Volume up, volume mute, and volume down buttons
- Support for the following optical drives:
  - DVD±RW and CD-RW Double-Layer Combo Drive
  - DVD±RW and CD-RW Combo Drive
  - DVD-ROM drive
- Connectors:
  - Accessory battery
  - Audio-in (microphone)
  - Audio-out (headphone)
  - Digital Media Slot
  - Docking connector
  - External monitor
  - IEEE 1394
  - RJ-11 (modem)
  - RJ-45 (network)
  - S-Video-out
  - SmartPower
  - Three Universal Serial Bus (USB) v. 2.0

## 1.2 Resetting the Computer

If the computer you are servicing has an unknown password, follow the steps below to reset the password. These steps also clear CMOS.



---

The following steps will not clear an unknown password if the stringent security option has been enabled in the BIOS. If stringent security is enabled, the system board must be replaced to reset an unknown password. Refer to [Section 5.21, “Top Cover,”](#) for more information on replacing the system board.

Before replacing the system board, perform the steps below to make sure stringent security has been properly enabled.

Enabling stringent security provides enhanced protection for the power-on password and administrator password and other forms of power-on authorization. Stringent security is enabled/disabled by accessing the Password Options menu in the Computer Setup utility.

---

1. Prepare the computer for disassembly (refer to [Section 5.3, “Preparing the Computer for Disassembly,”](#) for more information).
2. Remove the real-time clock (RTC) battery (refer to [Section 5.11, “RTC Battery,”](#) for more information on removing and replacing the RTC battery).
3. Wait approximately 5 minutes.
4. Replace the RTC battery and reassemble the computer.
5. Connect AC power to the computer. Do not reinsert any batteries at this time.
6. Turn on the computer.

All passwords and all CMOS settings have been cleared.

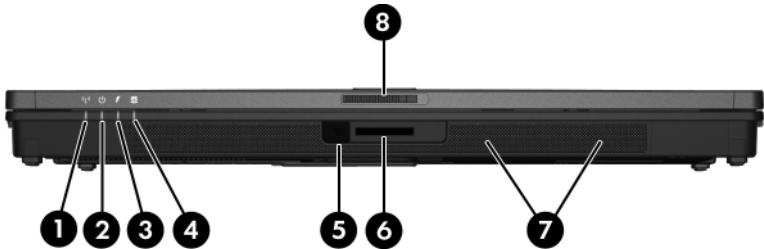
## 1.3 Power Management

The computer comes with power management features that extend battery operating time and conserve power. The computer supports the following power management features:

- Standby
- Hibernation
- Setting customization by the user
- Hotkeys for setting the level of performance
- Battery calibration
- Lid switch standby/resume
- Power button
- Advanced Configuration and Power Management (ACPM) compliance

## 1.4 External Components

The external components on the front of the computer are shown below and described in Table 1-1.



Front Components

---

**Table 1-1**  
**Front Components**

Item	Component	Function
1	Wireless light	On: An integrated wireless device, such as a wireless local area network (LAN) device and/or a Bluetooth® device, is turned on.
2	Power light	<ul style="list-style-type: none"><li>■ On: The computer is on.</li><li>■ Blinking: The computer is in standby.</li><li>■ Blinking rapidly: An HP Smart AC Adapter with a higher power rating should be connected.</li><li>■ Off: The computer is off or in hibernation.</li></ul>

---

**Table 1-1**  
**Front Components (Continued)**

<b>Item</b>	<b>Component</b>	<b>Function</b>
3	Battery light	<ul style="list-style-type: none"> <li>■ Amber: A battery is charging.</li> <li>■ Green: A battery is close to full charge capacity.</li> <li>■ Blinking amber: A battery that is the only available power source has reached a low-battery condition. When the battery reaches a critical low-battery condition, the battery light begins blinking more quickly.</li> <li>■ Off: If the computer is connected to an external power source, the light is turned off when all batteries in the computer are fully charged. If the computer is not connected to an external power source, the light is turned off until the battery reaches a low-battery condition.</li> </ul>
4	Drive light	<ul style="list-style-type: none"> <li>■ Blinking green: The hard drive or optical drive is being accessed.</li> <li>■ Amber: HP Mobile Data Protection has temporarily parked the hard drive.</li> </ul>
5	Infrared port	Provides wireless communication between the computer and an optional IrDA-compliant device.
6	Digital Media Slot	Supports Secure Digital (SD) Memory Cards and MultiMediaCards (MMC).
7	Stereo speakers (2)	Produce stereo sound.
8	Display release latch	Opens the computer.

The external components on the right side of the computer are shown below and described in Table 1-2.



*Right-Side Components*

---

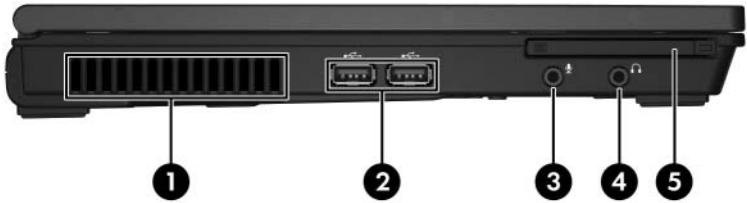
**Table 1-2**  
**Right-Side Components**

<b>Item</b>	<b>Component</b>	<b>Function</b>
1	Smart card slot	Supports optional smart cards and Java™ Cards.
2	MultiBay II device	Supports an optical disc. The type of optical drive varies by computer model.
3	USB port	Connects USB 1.1- and 2.0-compliant devices to the computer using a standard USB cable, or connects an optional External MultiBay II to the computer. The MultiBay II must also be connected to an external power source.
4	RJ-45 (network) jack	Connects an optional network cable.
5	RJ-11 (modem) jack	Connects the modem cable.

---



The external components on the left side of the computer are shown below and described in Table 1-3.



*Left-Side Components*

**Table 1-3**  
**Left-Side Components**


<b>Item</b>	<b>Component</b>	<b>Function</b>
1	Exhaust vent	Provides airflow to cool internal components.
2	USB ports (2)	Connect USB 1.1- and 2.0-compliant devices to the computer using a standard USB cable, or connect an optional External MultiBay II to the computer. The MultiBay II must also be connected to an external power source.
3	Audio-in (microphone) jack	Connects an optional computer headset microphone, stereo array microphone, or monaural microphone.
4	Audio-out (headphone) jack	Produces computer sound when connected to optional power stereo speakers, headphones, ear buds, a headset, or television audio.
5	PC Card slot	Supports optional Type I or Type II 32-bit (CardBus) or 16-bit PC Cards.

The external components on the rear panel of the computer are shown below and described in Table 1-4.

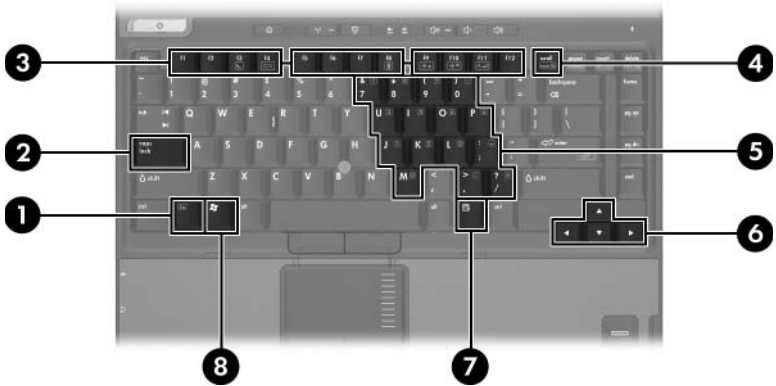


*Rear Panel Components*

**Table 1-4**  
**Rear Panel Components**

Item	Component	Function
1	Security cable slot	Attaches an optional security cable to the computer.   Security solutions are designed to act as deterrents. These deterrents may not prevent a product from being mishandled or stolen.
2	Battery bay	Holds a battery.
3	Smart adapter power connector	Connects an AC adapter or an optional power adapter.
4	S-Video-out jack	Connects an optional S-Video device, such as a television, VCR, camcorder, projector, or video capture card.
5	External monitor port	Connects an optional VGA external monitor or projector.

The standard keyboard components of the computer are shown below and described in Table 1-5.

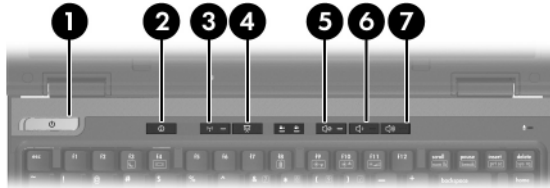


*Standard Keyboard Components*

**Table 1-5**  
**Standard Keyboard Components**


<b>Item</b>	<b>Component</b>	<b>Function</b>
1	<b>fn</b> key	Executes frequently used system functions when pressed in combination with a function key or the <b>esc</b> key.
2	<b>caps lock</b> key	Enables caps lock and turns on the caps lock light.
3	<b>f1</b> to <b>f12</b> keys (12)	Perform system and application tasks. When combined with the <b>fn</b> key, several keys and buttons perform additional tasks as hotkeys.
4	<b>num lock</b> key	Enables numeric lock, turns on the embedded numeric keypad, and turns on the num lock light.
5	Embedded keypad	In Windows, can be used like the keys on an external numeric keypad.
6	Arrow keys	Moves the cursor around the screen.
7	Windows applications key	In Windows, displays a shortcut menu for items beneath the pointer.
8	Windows logo key	In Windows, displays the Windows Start menu.

The computer top components are shown below and described in Table 1-6.



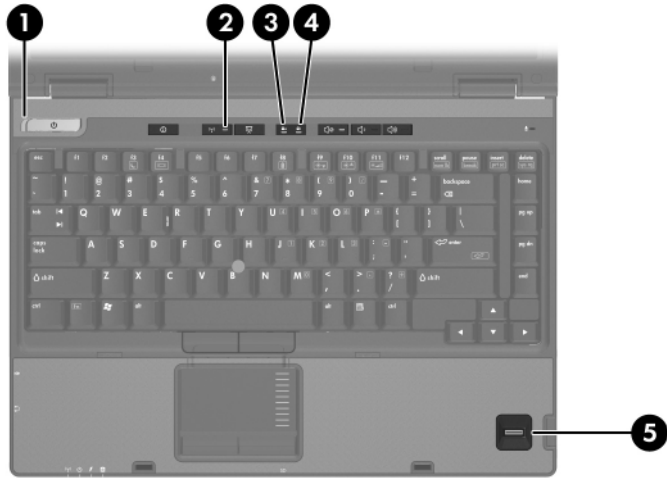
### Top Components

**Table 1-6**  
**Top Components**

Item	Component	Function
1	Power button	<p>When the computer is:</p> <ul style="list-style-type: none"> <li>■ Off, press to turn on the computer.</li> <li>■ On, briefly press to initiate hibernation.</li> <li>■ In standby, briefly press to resume from standby.</li> <li>■ In hibernation, briefly press to restore from hibernation.</li> </ul> <p>If the system has stopped responding and Windows shutdown procedures cannot be used, press and hold for 5 seconds to turn off the computer.</p>
2	Info Center button	Launches Info Center, which enables you to open various software solutions.
3	Wireless button	<p>Turns the wireless functionality on or off, but does not create a wireless connection.</p> <p> To establish a wireless connection, a wireless network must already be set up.</p>
4	Presentation button	Turns on the presentation feature.
5	Volume mute button	Mutes or restores speaker volume.
6	Volume down button	Decreases speaker volume.
7	Volume up button	Increases speaker volume.



The computer top components are shown below and described in Table 1-7.

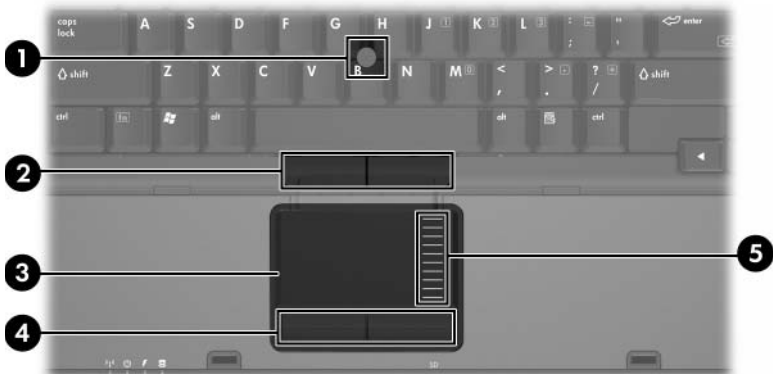


Top Components

**Table 1-7**  
**Top Components**

<b>Item</b>	<b>Component</b>	<b>Function</b>
1	Power light	<ul style="list-style-type: none"><li>■ On: The computer is on.</li><li>■ Blinking: The computer is in standby.</li><li>■ Blinking rapidly: An AC adapter with a higher power rating should be connected.</li><li>■ Off: The computer is off or in hibernation.</li></ul>
2	Wireless light	On: An integrated wireless device, such as a wireless local area network (LAN) device and/or a Bluetooth® device, is turned on.
3	Caps lock light	On: <b>caps lock</b> is on.
4	Num lock light	On: <b>num lock</b> or the numeric keypad is on.
5	Fingerprint reader	Allows a fingerprint logon to Windows instead of using a password.

The computer pointing device components are shown below and described in Table 1-8.



*Pointing Device Components*

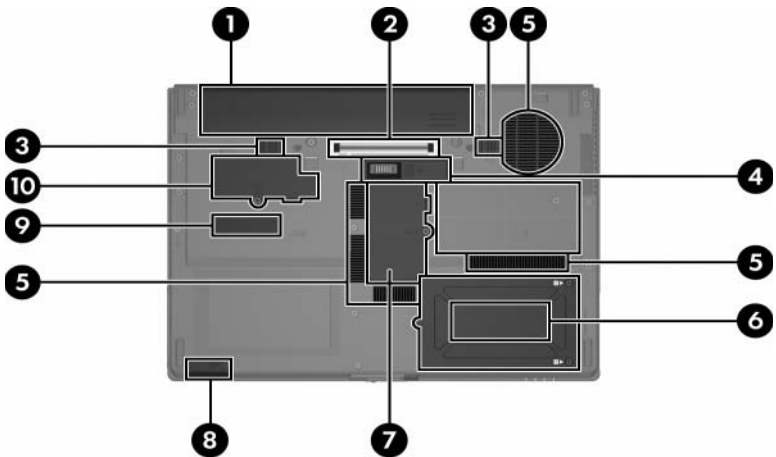
---

**Table 1-8**  
**Pointing Device Components**

<b>Item</b>	<b>Component</b>	<b>Function</b>
1	Pointing stick	Moves the pointer and selects or activates items on the screen.
2	Pointing stick buttons	Function like the left, middle, and right buttons on an external mouse.
3	TouchPad	Moves the pointer and selects or activates items on the screen. Can be set to perform other mouse functions, such as scrolling, selecting, and double-clicking.
4	TouchPad buttons	Function like the left, middle, and right buttons on an external mouse.
5	TouchPad scroll zone	Scrolls up or down.

---

The external components on the bottom of the computer are shown below and described in Table 1-9.



*Bottom Components*

---

**Table 1-9**  
**Bottom Components**

Item	Component	Function
1	Battery bay	Holds the battery.
2	Docking connector (full-featured models only)	Connects the computer to an optional docking device.
3	Battery release latches (2)	Release the battery from the battery bay.
4	Accessory battery connector	Connects an optional HP Ultra-Capacity Battery or HP Extended Life Battery.

---

**Table 1-9**  
**Bottom Components (Continued)**

Item	Component	Function
5	Exhaust vents	Provides airflow to cool internal components.
6	Hard drive bay	Holds the primary hard drive.
7	Memory module compartment	Contains one memory slot that supports replaceable memory modules.
8	Bluetooth compartment	Contains a Bluetooth device (select computer models only).
9	Serial number	Identifies the computer. This number is needed when contacting customer support.
10	Mini Card compartment	Holds an optional wireless LAN device.



To prevent an unresponsive system and the display of a warning message, install only a Mini Card device authorized for use in your computer by the governmental agency that regulates wireless devices in your country or region. If you install a device and then receive a warning message, remove the device to restore computer functionality. Then contact technical support by selecting **Start > Help and Support > Contact support**.

## 1.5 Design Overview

This section presents a design overview of key parts and features of the computer. Refer to [Chapter 3, “Illustrated Parts Catalog,”](#) to identify replacement parts, and [Chapter 5, “Removal and Replacement Procedures,”](#) for disassembly steps.

The system board provides the following device connections:

- Audio
- Display
- Hard drive
- Intel Core Duo, Core Solo, and Celeron processors
- Keyboard and TouchPad
- Memory modules
- Mini Card module
- PC Card



**CAUTION:** To properly ventilate the computer, allow at least a 7.6-cm (3-inch) clearance on the left and right sides of the computer.

---

The computer uses an electric fan for ventilation. The fan is controlled by a temperature sensor and is designed to turn on automatically when high temperature conditions exist. These conditions are affected by high external temperatures, system power consumption, power management/battery conservation configurations, battery fast charging, and software. Exhaust air is displaced through the ventilation grill located on the left side of the computer.

---

# Troubleshooting



**WARNING:** Only authorized technicians trained by HP should repair this equipment. All troubleshooting and repair procedures are detailed to allow only subassembly-/module-level repair. Because of the complexity of the individual boards and subassemblies, do not attempt to make repairs at the component level or modifications to any printed wiring board. Improper repairs can create a safety hazard. Any indication of component replacement or printed wiring board modification may void any warranty or exchange allowances.

---

## 2.1 Starting Computer Setup

Computer Setup is a preinstalled, ROM-based utility that can be used even when the operating system is not working or will not load.



Some of the Computer Setup menu items listed in this guide may not be supported by your computer.

---



Pointing devices are not supported in Computer Setup. You must use the keyboard to navigate and make selections.

---



An external keyboard connected by USB can be used with Computer Setup only if USB legacy support is enabled.

---



To start Computer Setup:

1. Turn on or restart the computer.
2. Before Windows® opens and while the “F10=ROM Based Setup” message is displayed in the lower-left corner of the screen, press **f10**.

## Using Computer Setup

### Navigating and selecting in Computer Setup

The information and settings in Computer Setup are accessed from the File, Security, Diagnostics, and System Configuration menus.

1. Open Computer Setup by turning on or restarting the computer, and then pressing **f10** while the “F10 = ROM Based Setup” message is displayed in the lower-left corner of the screen.

Because Computer Setup is not Windows-based, it does not support the TouchPad. Navigation and selection are by keystroke:

- ❑ To choose a menu or a menu item, use the arrow keys.
  - ❑ To select an item, press **enter**.
  - ❑ To close open dialog boxes and return to the main Computer Setup screen, press **esc**.
  - ❑ To view navigation information, press **f1**.
  - ❑ To change the language, press **f2**.
2. Select the **File**, **Security**, **Diagnostics**, or **System Configuration** menu.

3. To exit Computer Setup, choose one of the following methods:
  - ❑ To exit Computer Setup without saving your preferences, use the arrow keys to select **File > Ignore Changes and Exit**. Then follow the instructions on the screen.
  - ❑ To save your preferences and exit Computer Setup, use the arrow keys to select **File > Save Changes and Exit**. Then follow the instructions on the screen.

Your preferences go into effect when the computer restarts.

## Restoring Factory Settings in Computer Setup

To return all settings in Computer Setup to the values that were set at the factory, follow these steps:

1. Open Computer Setup by turning on or restarting the computer, and then pressing **f10** while the “F10 = ROM Based Setup” message is displayed in the lower-left corner of the screen.
2. Use the arrow keys to select **File > Restore defaults**, and then press **enter**.
3. When the confirmation dialog box opens, press **f10**.
4. To save your preferences and exit Computer Setup, use the arrow keys to select **File > Save Changes and Exit**. Then follow the instructions on the screen.

Your preferences go into effect when the computer restarts.



Your password settings and security settings are not changed when you restore the factory settings.

---

## Computer Setup Menus

The menu tables in this section provide an overview of Computer Setup options.



Some of the Computer Setup menu items listed in this chapter may not be supported by your computer.

---

## File Menu

---




**Table 2-1**  
**File Menu**

Select	To do this
System Information	<ul style="list-style-type: none"><li>■ View identification information for the computer and the batteries in the system.</li><li>■ View specification information for the processor, cache and memory size, system ROM, video revision, and keyboard controller version.</li></ul>
Restore defaults	Replace the configuration settings in Computer Setup with the original factory settings. (Password settings and security settings are not changed when you restore the factory settings.)
Ignore changes and exit	Cancel any changes entered during the current session. Then exit and restart the computer.
Save changes and exit	Save any changes entered during the current session. Then exit and restart the computer. Your changes go into effect when the computer restarts.



---

# Security Menu

**Table 2-2**  
**Security Menu**

Select	To do this
Setup password	Enter, change, or delete a setup password.
Power-On password	Enter, change, or delete a power-on password.
Password options	<ul style="list-style-type: none"> <li>■ Enable/disable stringent security.</li> <li>■ Enable/disable password requirement on computer restart.</li> </ul>
DriveLock passwords	<ul style="list-style-type: none"> <li>■ Enable/disable DriveLock on any computer hard drive and on optional MultiBay hard drives.</li> <li>■ Change a DriveLock user password or master password.</li> </ul> <p> DriveLock settings are accessible only when you enter Computer Setup by turning on (not restarting) the computer.</p>
Smart Card security	<p>Enable/disable support for smart card and Java™ Card power-on authentication.</p> <p> Power-on authentication for smart cards is supported only on computers with optional smart card readers.</p> <p> You must have an administrator password to change this setting.</p>

**Table 2-2**  
**Security Menu (*Continued*)**

Select	To do this
TPM Embedded Security	<p>Enable/disable support for TPM (Trusted Platform Module) Embedded Security, which protects the computer from unauthorized access to owner functions available in Embedded Security for ProtectTools. For more information, refer to the ProtectTools online Help.</p> <p> You must have a setup password to change this setting.</p>
System IDs	<p>Enter user-defined computer asset and ownership tag.</p>
Disk Sanitizer	<p>Run Disk Sanitizer to destroy all existing data on the primary hard drive. The following options are available:</p> <ul style="list-style-type: none"> <li>■ Fast: Runs the Disk Sanitizer erase cycle once.</li> <li>■ Optimum: Runs the Disk Sanitizer erase cycle 3 times.</li> <li>■ Custom: Allows you to select the desired number of Disk Sanitizer erase cycles from a list.</li> </ul> <p> If you run Disk Sanitizer, the data on the primary hard drive is destroyed permanently.</p>

## Diagnostics Menu

**Table 2-3**  
**Diagnostics Menu**

Select	To do this
Hard Drive Self-Test options	Run a comprehensive self-test on any hard drive in the system or on any optional MultiBay hard drive.
Memory Check	Run a comprehensive check on system memory.
Startup Check (select models only)	Verify the system components needed for starting the computer.

## System Configuration Menu



Some of the listed System Configuration options may not be supported by your computer.

**Table 2-4**  
**System Configuration Menu**

Select	To do this
Language (or press <b>f2</b> )	Change the Computer Setup language.
Boot options	<ul style="list-style-type: none"> <li>■ Set <b>f9</b>, <b>f10</b>, and <b>f12</b> delay when starting up.</li> <li>■ Enable/disable CD-ROM boot.</li> <li>■ Enable/disable floppy boot.</li> <li>■ Enable/disable internal network adapter boot and set the boot mode (PXE or RPL).</li> <li>■ Enable/disable MultiBoot, which sets a boot order that can include most boot devices in the system.</li> <li>■ Set the Express Boot Popup delay in seconds.</li> <li>■ Set the boot order.</li> </ul>

**Table 2-4**  
**System Configuration Menu (*Continued*)**

Select	To do this
Device Configurations	<ul style="list-style-type: none"> <li>■ Swap the functions of the <b>fn</b> key and left <b>ctrl</b> key.</li> <li>■ Enable/disable multiple standard pointing devices at startup. (To set the computer to support only a single, usually nonstandard, pointing device at startup, select Disable.)</li> <li>■ Enable/disable USB legacy support. When enabled, USB legacy support allows the following:               <ul style="list-style-type: none"> <li>❑ Use of a USB keyboard, mouse, and hub in Computer Setup even when a Windows operating system is not running.</li> <li>❑ Startup from bootable USB devices, including a hard drive, diskette drive, or optical drive connected by a USB port to the computer or to an optional docking device (select models only).</li> </ul> </li> <li>■ Select a parallel port mode: EPP (Enhanced Parallel Port), standard, bidirectional, or ECP (Enhanced Capabilities Port).</li> <li>■ Enable/disable BIOS DMA data transfers.</li> <li>■ Enable/disable fan always on while connected to an AC outlet.</li> <li>■ Enable/disable Intel® Data Execution Prevention or AMD® PSAE Execution Disable. When enabled, the processor can disable some virus code execution, which helps to improve computer security.</li> <li>■ Enable/disable LAN Power Save. When enabled, saves power by turning off the LAN when not in use.</li> <li>■ Enable/disable SATA Native Mode.</li> <li>■ Enable/disable Dual Core CPU.</li> <li>■ Enable/disable Secondary Battery Fast Charge.</li> </ul>

**Table 2-4**  
**System Configuration Menu (*Continued*)**

Select	To do this
Device configurations ( <i>continued</i> )	<ul style="list-style-type: none"> <li>■ Choose Bit-shift or LBA assisted HDD Translation Mode.</li> <li>■ Enable/disable Windows direct application launcher.</li> <li>■ Enable/disable HP Lockout.</li> </ul>
Built-In Device Options	<ul style="list-style-type: none"> <li>■ Enable/disable embedded WWAN Device Radio.</li> <li>■ Enable/disable embedded WLAN Device Radio</li> <li>■ Enable/disable embedded Bluetooth® Device Radio.</li> <li>■ Enable/disable LAN/WLAN Switching. When enabled, switches to a WLAN when a LAN is either unavailable or disconnected.</li> <li>■ Enable/disable Wake on LAN from Off.</li> <li>■ Enable/disable the ambient light sensor.</li> </ul>
Port Options	<ul style="list-style-type: none"> <li>■ Enable/disable the serial port.</li> <li>■ Enable/disable the parallel port.</li> <li>■ Enable/disable the flash media reader.</li> <li>■ Enable/disable the USB port.</li> </ul> <p>△ Disabling the USB port also disables MultiBay devices and ExpressCard devices on the advanced port replicator.</p> <ul style="list-style-type: none"> <li>■ Enable/disable the 1394 port.</li> <li>■ Enable/disable the cardbus slot.</li> <li>■ Enable/disable the ExpressCard slot.</li> <li>■ Enable/disable the infrared port.</li> <li>■ Enable/disable the optical disk drive.</li> <li>■ Enable/disable the network controller.</li> </ul>



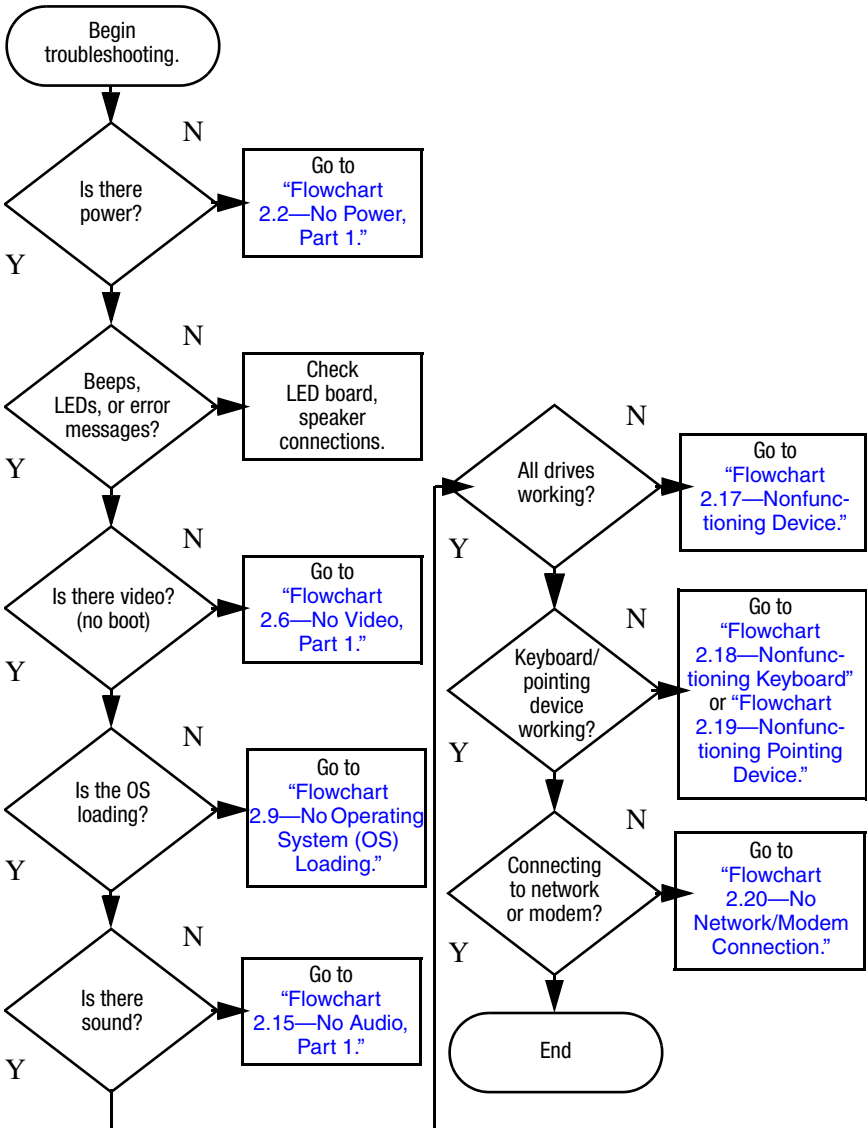
## 2.2 Troubleshooting Flowcharts

---

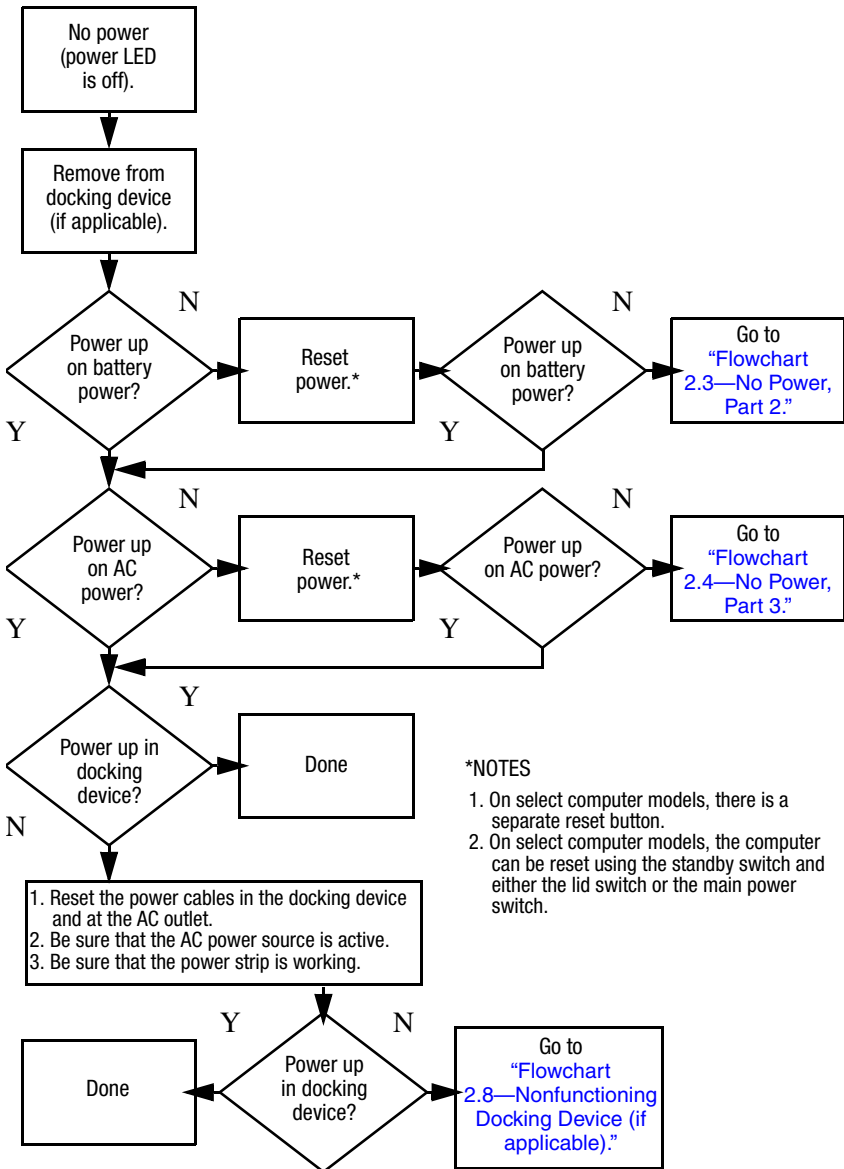
**Table 2-5**  
**Troubleshooting Flowcharts Overview**

<b>Flowchart</b>	<b>Description</b>
2.1	"Flowchart 2.1—Initial Troubleshooting"
2.2	"Flowchart 2.2—No Power, Part 1"
2.3	"Flowchart 2.3—No Power, Part 2"
2.4	"Flowchart 2.4—No Power, Part 3"
2.5	"Flowchart 2.5—No Power, Part 4"
2.6	"Flowchart 2.6—No Video, Part 1"
2.7	"Flowchart 2.7—No Video, Part 2"
2.8	"Flowchart 2.8—Nonfunctioning Docking Device (if applicable)"
2.9	"Flowchart 2.9—No Operating System (OS) Loading"
2.10	"Flowchart 2.10—No OS Loading, Hard Drive, Part 1"
2.11	"Flowchart 2.11—No OS Loading, Hard Drive, Part 2"
2.12	"Flowchart 2.12—No OS Loading, Hard Drive, Part 3"
2.13	"Flowchart 2.13—No OS Loading, Diskette Drive"
2.14	"Flowchart 2.14—No OS Loading, Optical Drive"
2.15	"Flowchart 2.15—No Audio, Part 1"
2.16	"Flowchart 2.16—No Audio, Part 2"
2.17	"Flowchart 2.17—Nonfunctioning Device"
2.18	"Flowchart 2.18—Nonfunctioning Keyboard"
2.19	"Flowchart 2.19—Nonfunctioning Pointing Device"
2.20	"Flowchart 2.20—No Network/Modem Connection"

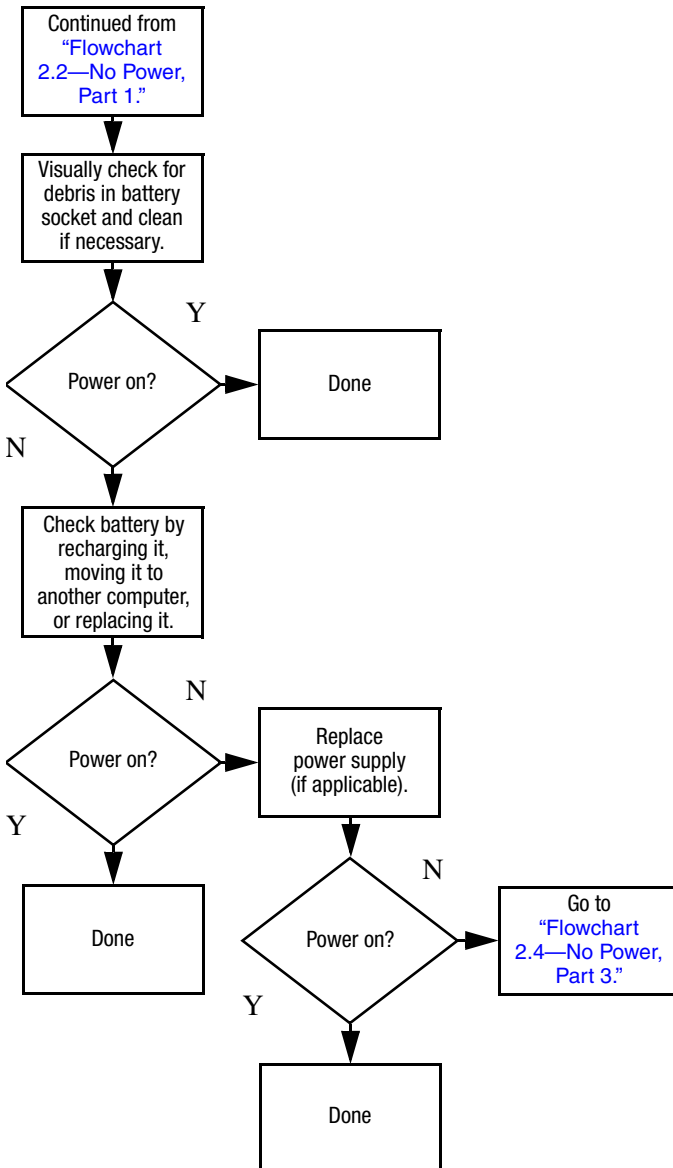
## Flowchart 2.1 – Initial Troubleshooting



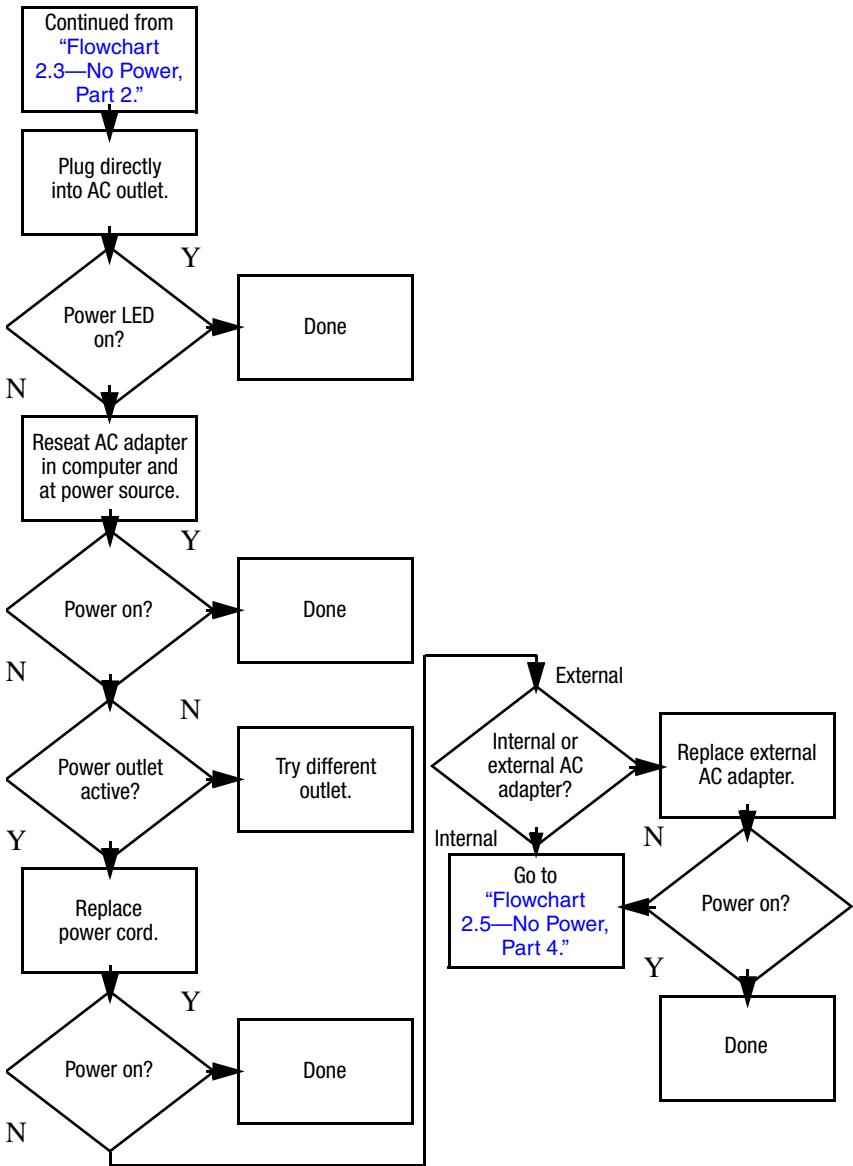
## Flowchart 2.2—No Power, Part 1



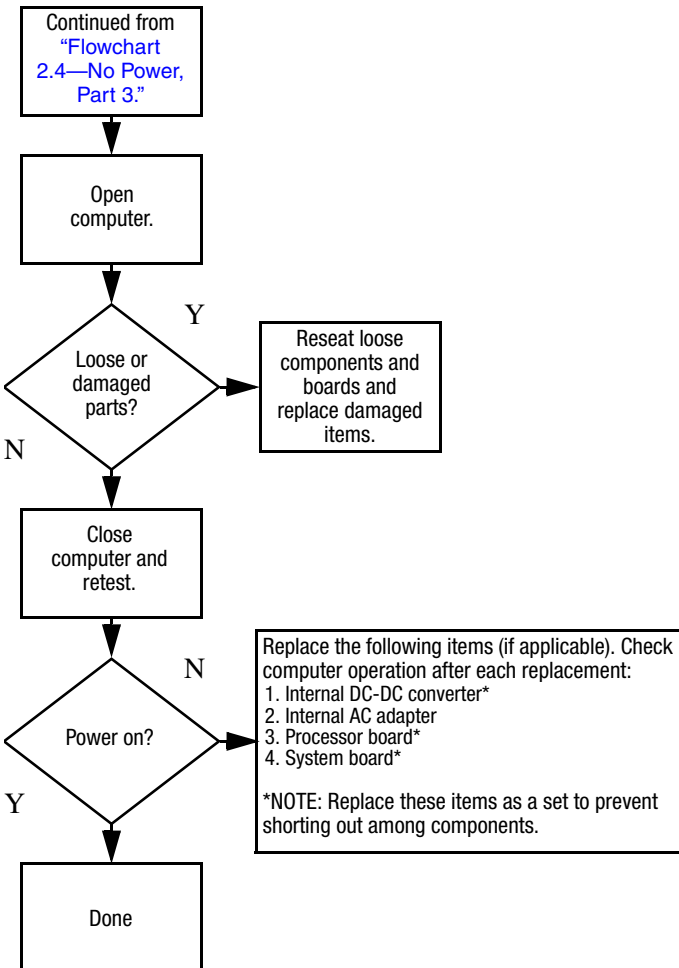
## Flowchart 2.3—No Power, Part 2



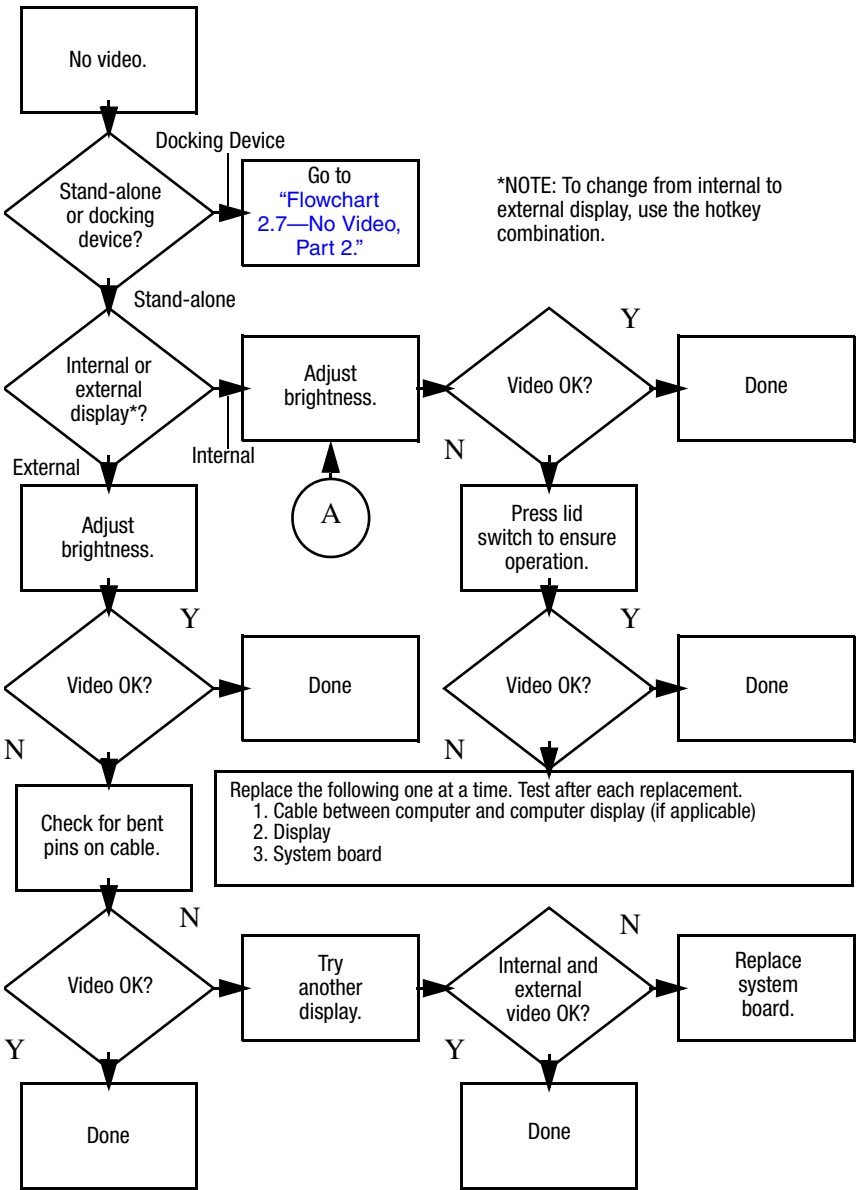
### Flowchart 2.4—No Power, Part 3



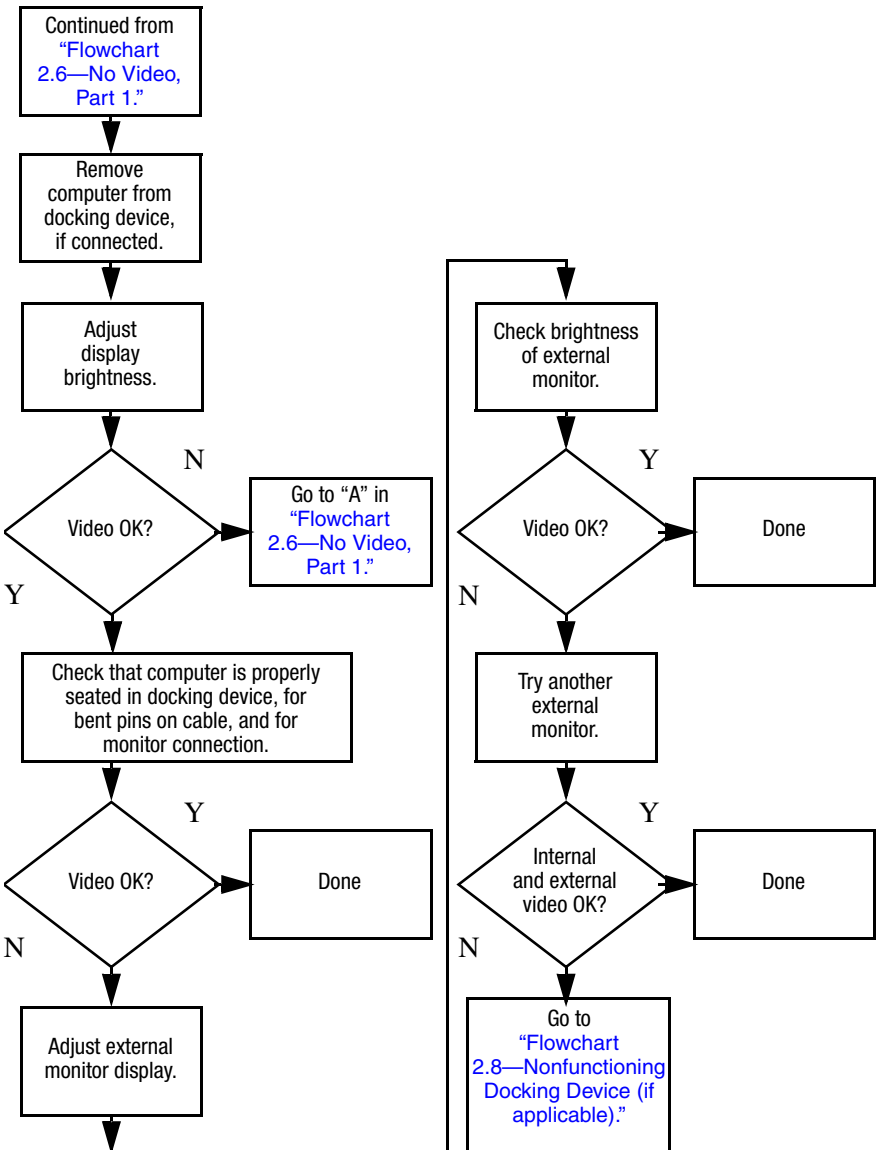
## Flowchart 2.5—No Power, Part 4



## Flowchart 2.6—No Video, Part 1

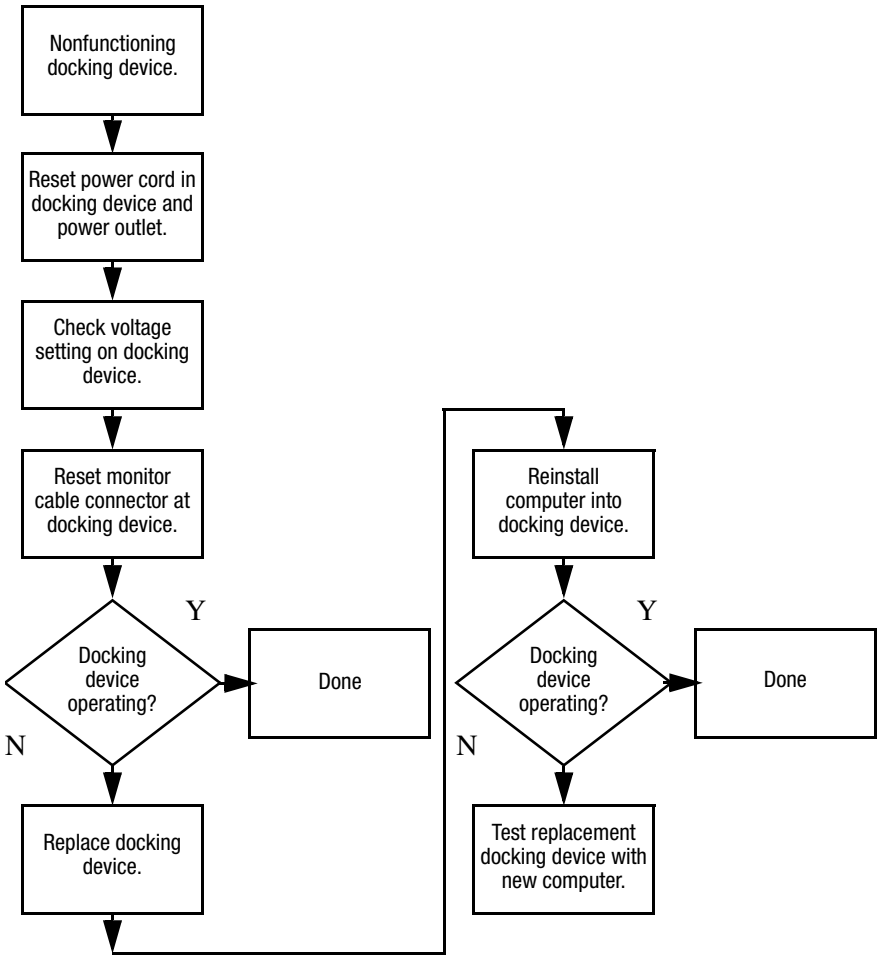


## Flowchart 2.7—No Video, Part 2

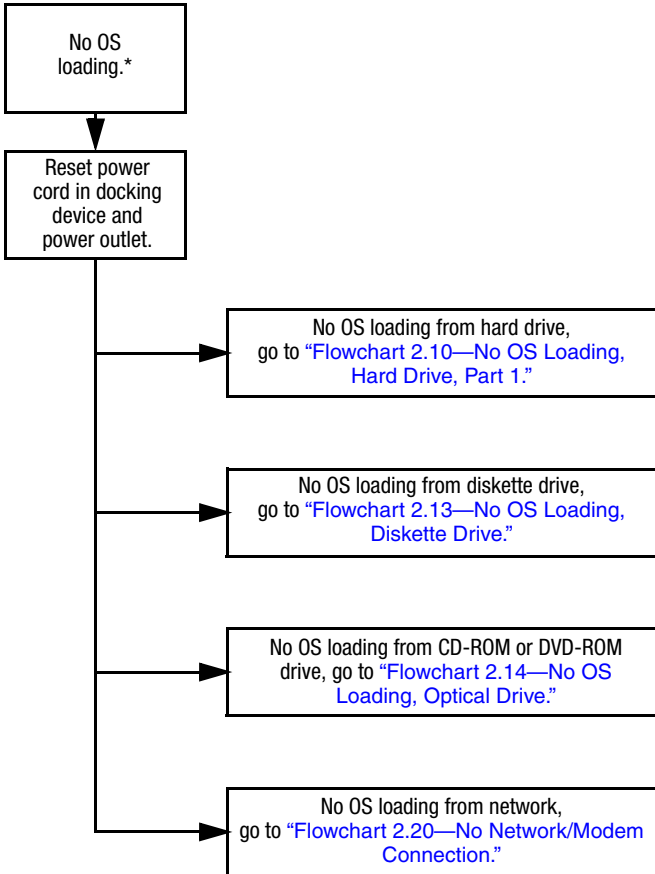




## Flowchart 2.8—Nonfunctioning Docking Device (if applicable)

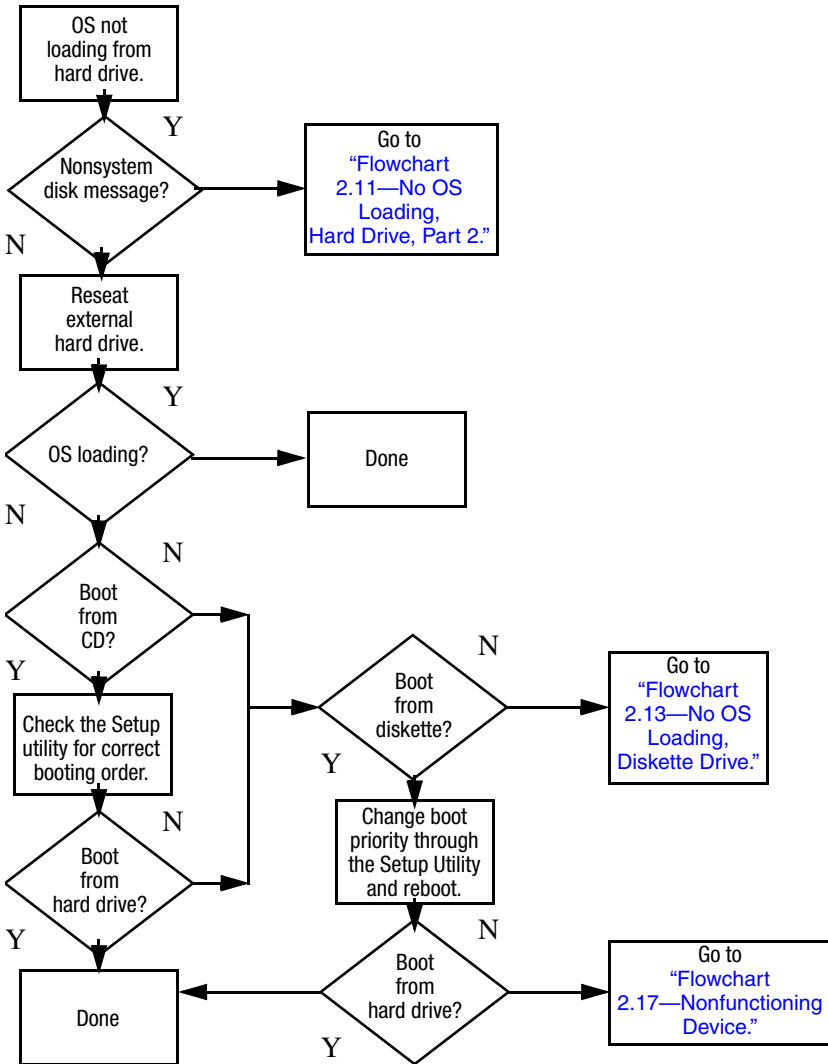


## Flowchart 2.9—No Operating System (OS) Loading

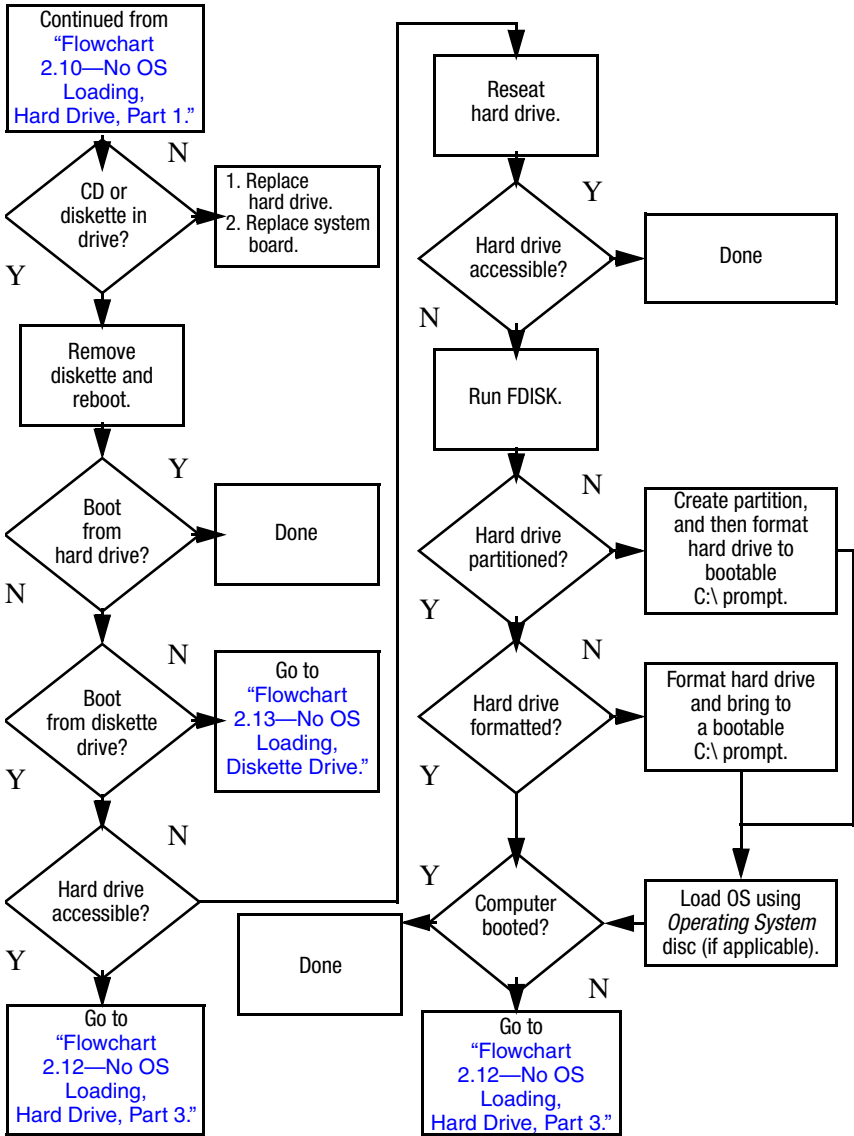


\*NOTE: Before beginning troubleshooting, always check cable connections, cable ends, and drives for bent or damaged pins.

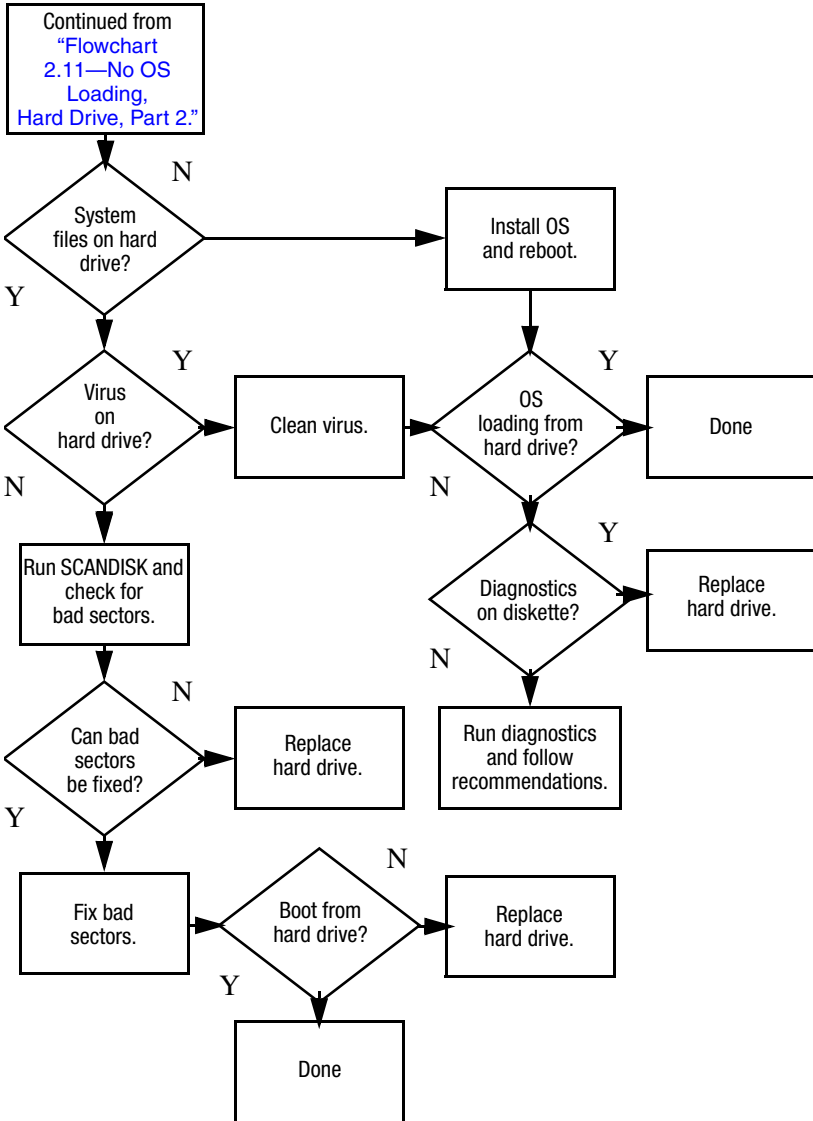
## Flowchart 2.10—No OS Loading, Hard Drive, Part 1



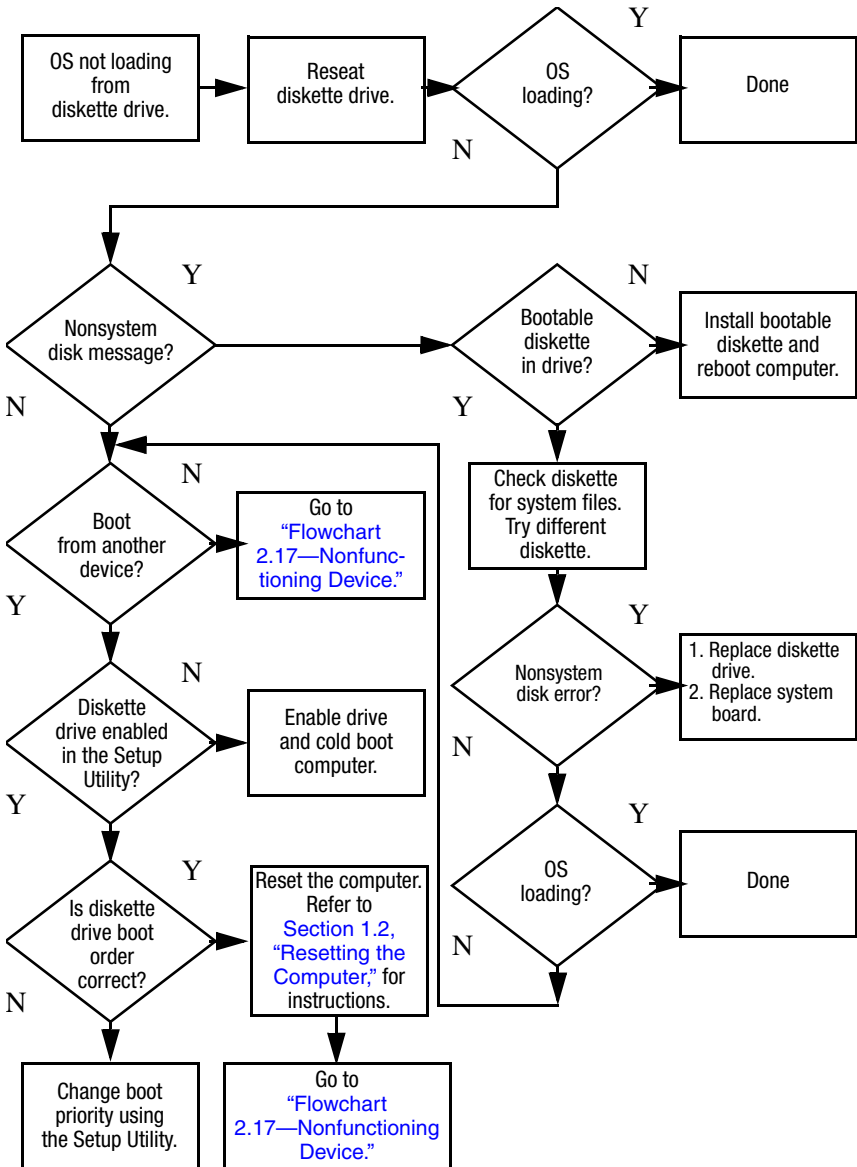
## Flowchart 2.11 – No OS Loading, Hard Drive, Part 2



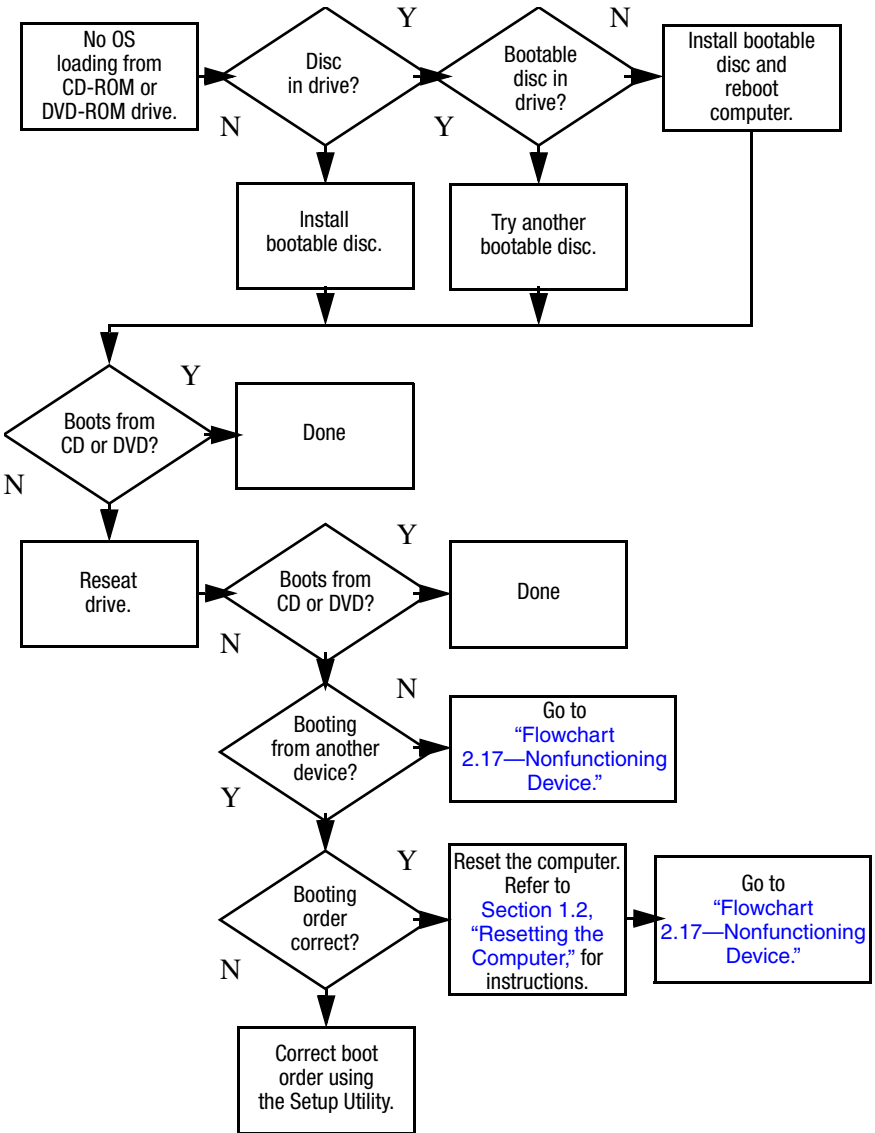
## Flowchart 2.12—No OS Loading, Hard Drive, Part 3



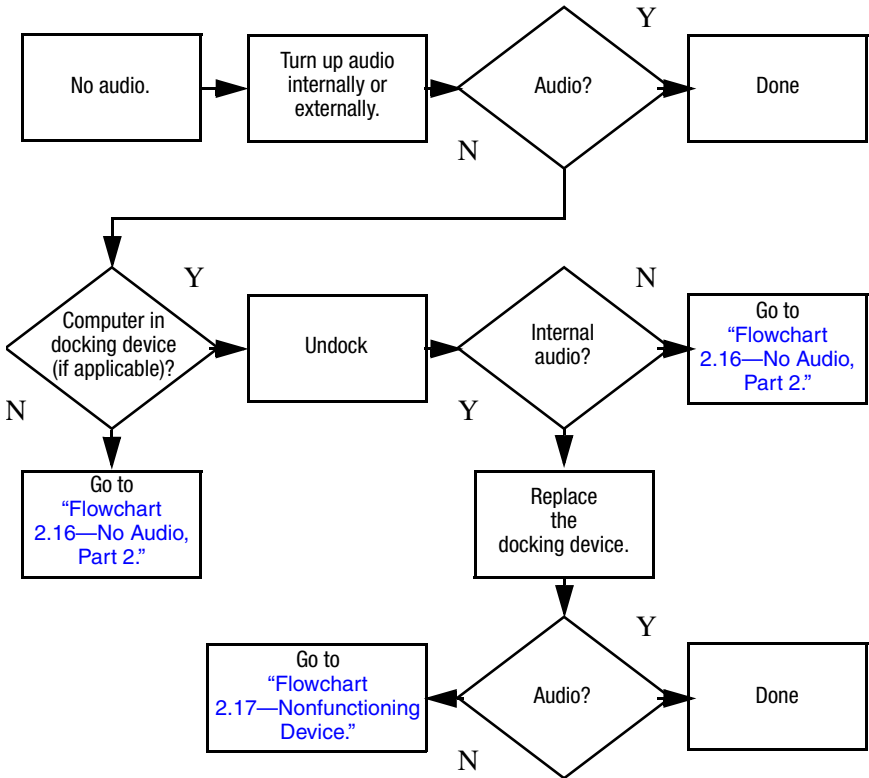
## Flowchart 2.13—No OS Loading, Diskette Drive



## Flowchart 2.14—No OS Loading, Optical Drive

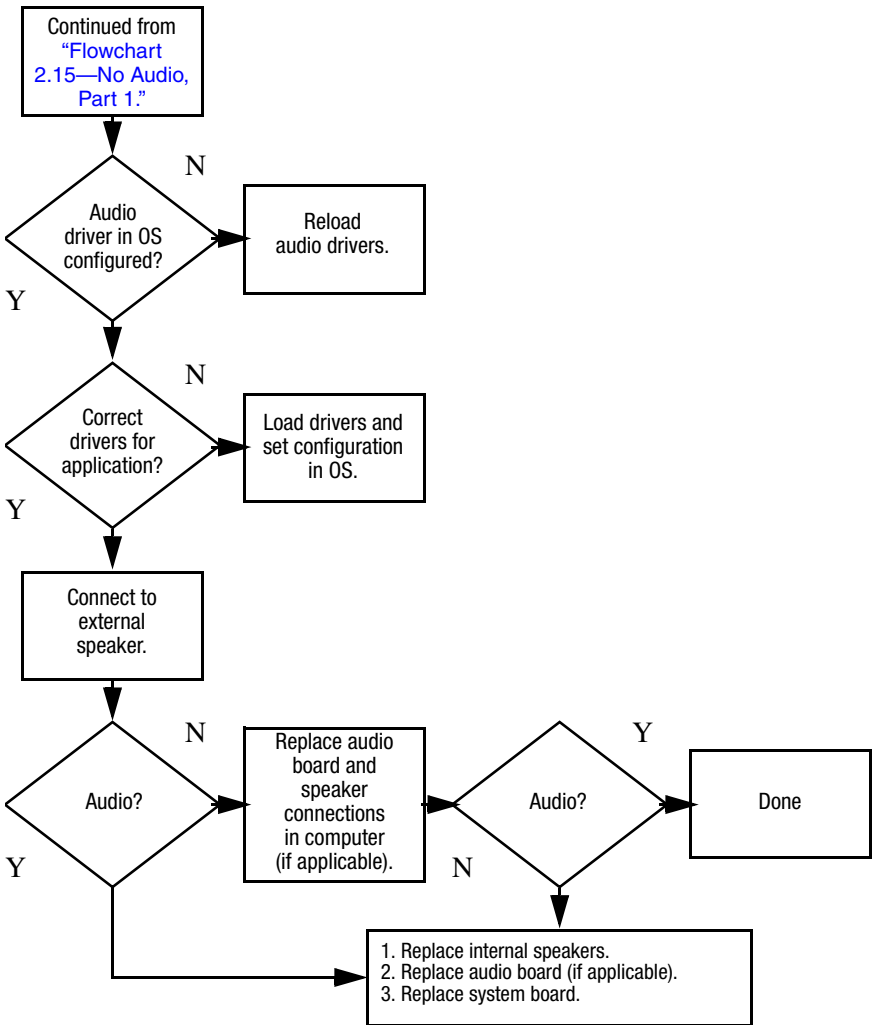


## Flowchart 2.15—No Audio, Part 1

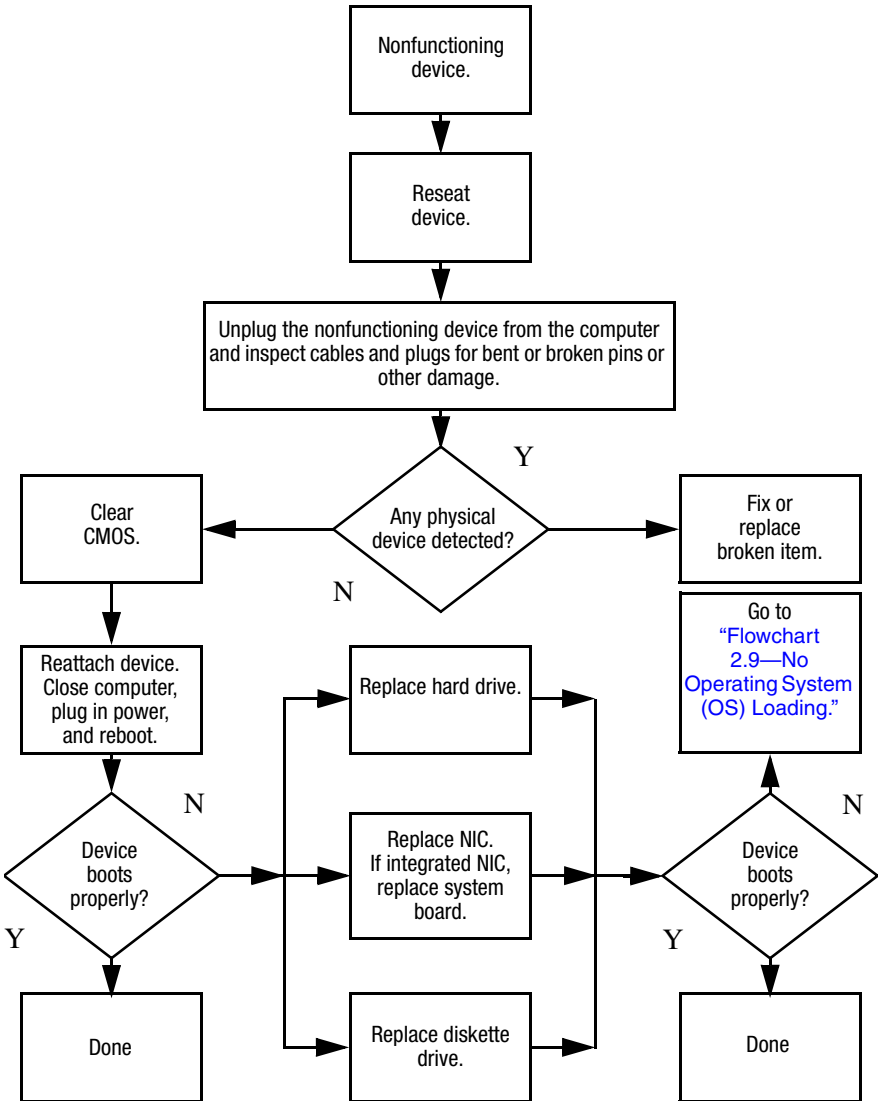




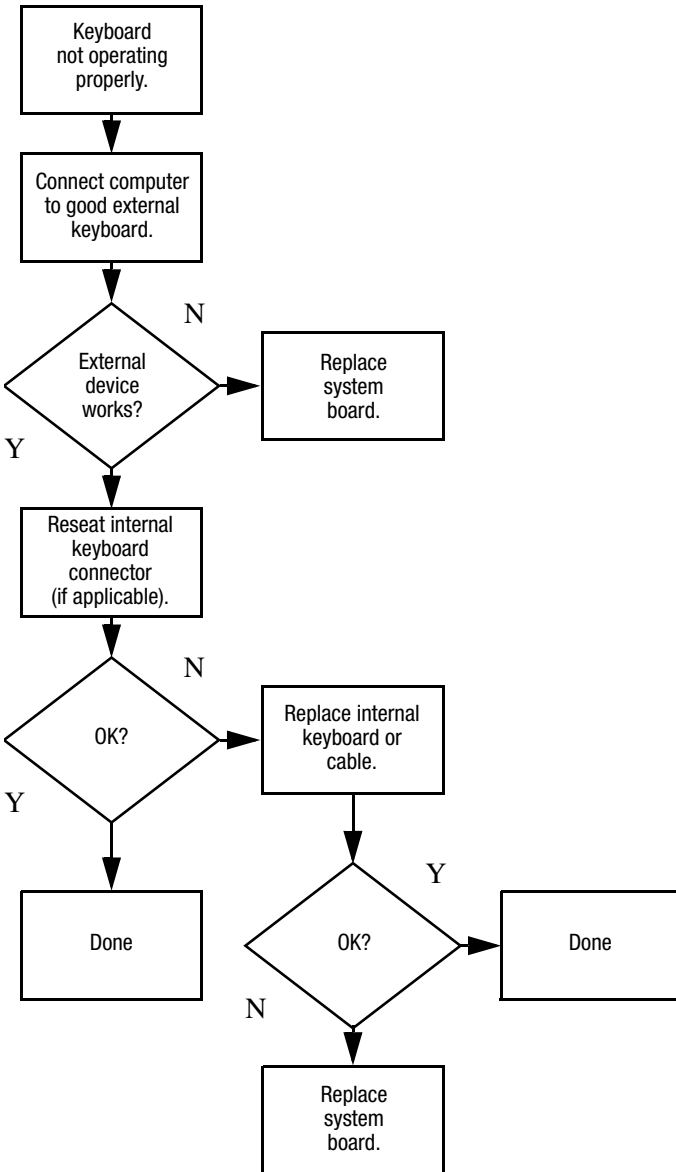
## Flowchart 2.16—No Audio, Part 2



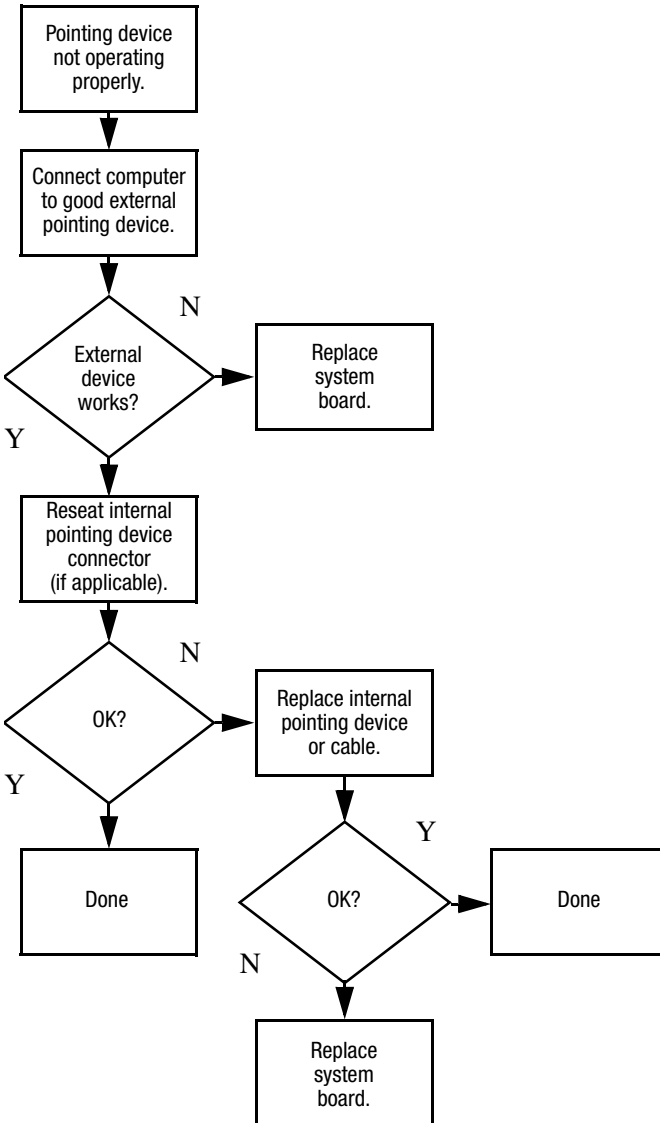
## Flowchart 2.17—Nonfunctioning Device



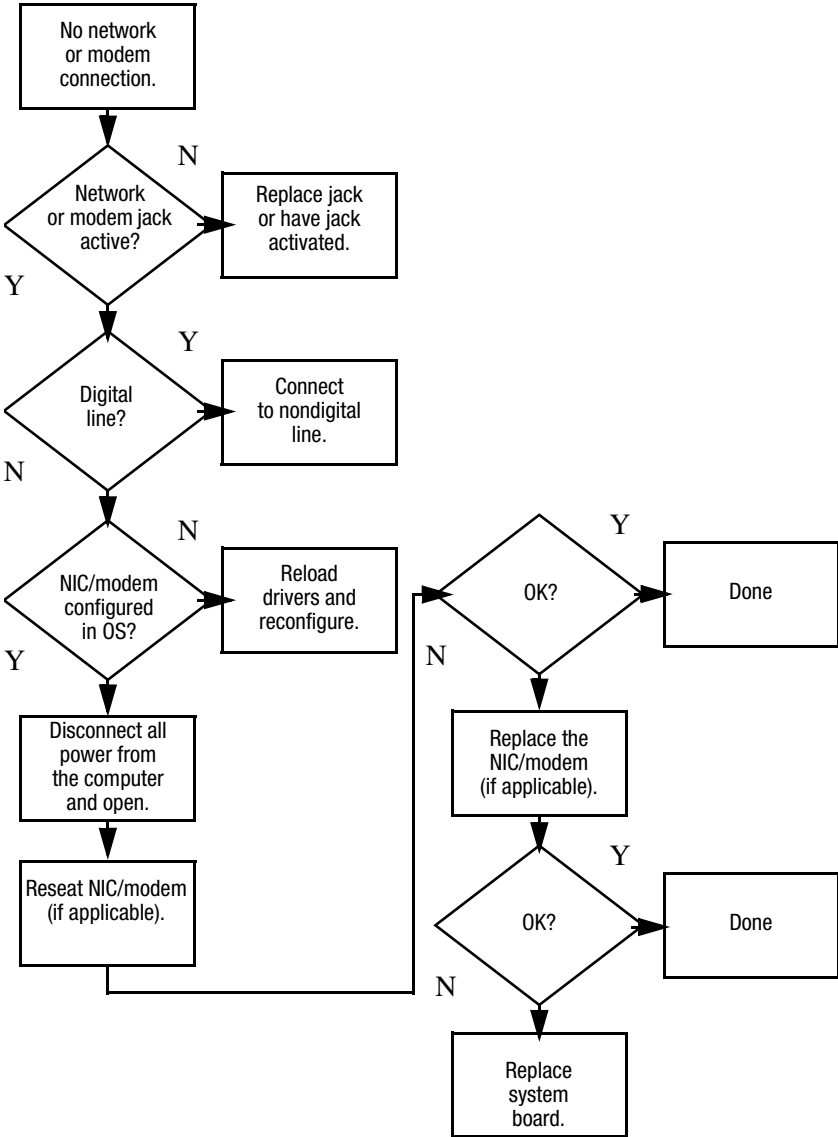
## Flowchart 2.18—Nonfunctioning Keyboard



## Flowchart 2.19—Nonfunctioning Pointing Device



## Flowchart 2.20—No Network/Modem Connection



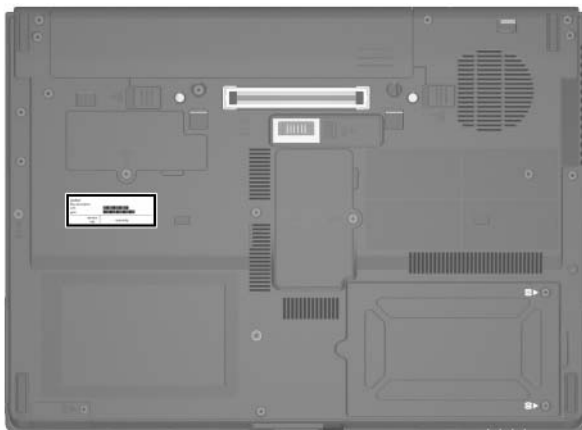
---

## Illustrated Parts Catalog

This chapter provides an illustrated parts breakdown and a reference for spare part numbers.

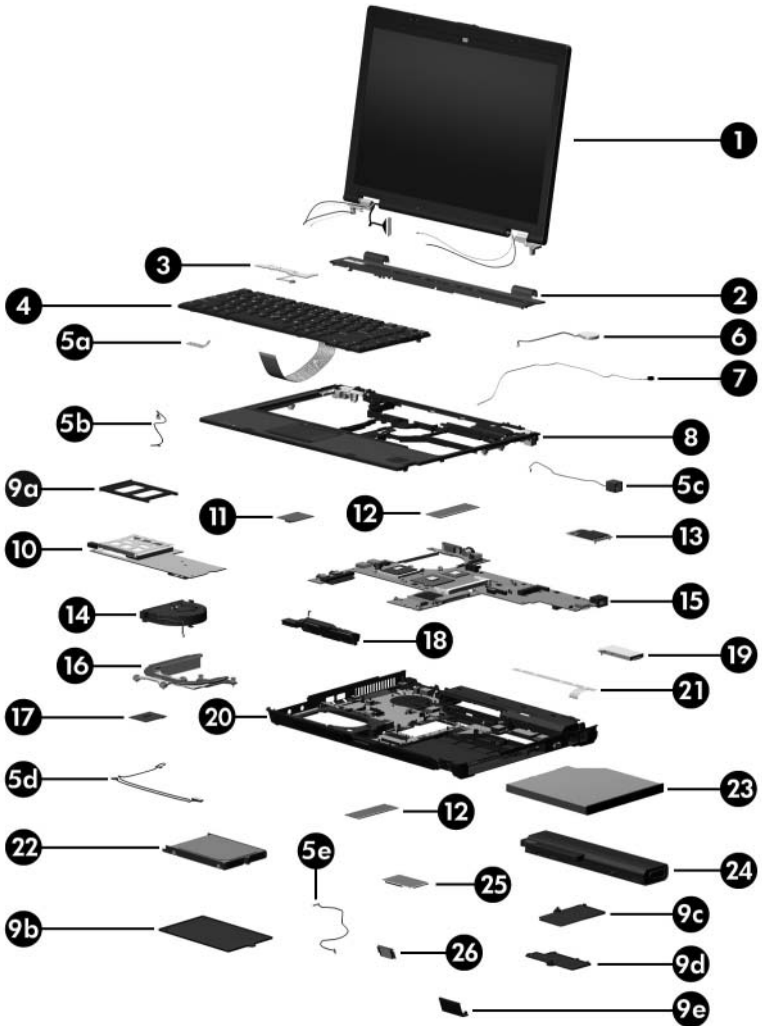
### 3.1 Serial Number Location

When ordering parts or requesting information, provide the computer serial number and computer model number located on the bottom of the computer.



*Serial Number Location*

## 3.2 Computer Major Components

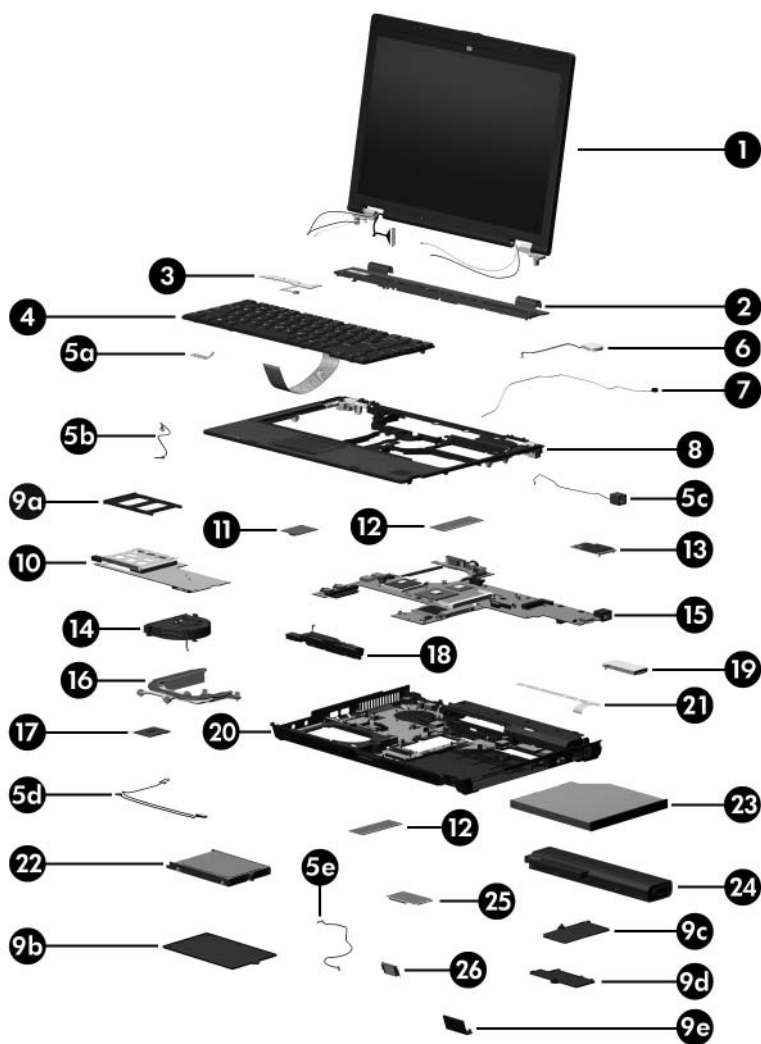


Computer Major Components

**Table 3-1**  
**Spare Parts: Computer Major Components**

Item	Description	Spare Part Number
1	<b>Display assemblies</b> (include wireless antenna transceivers and cables)	
	14.1-inch, WXGA+	418907-001
	14.1-inch, WXGA	418896-001
	Refer to <a href="#">Section 3.3, "Display Assembly Components,"</a> for display assembly internal component spare part number information.	
2	<b>Switch cover</b>	418900-001
3	<b>Power button board</b> (includes power button board cable)	418908-001
4	<b>Keyboards</b>	
	For use in:	
	Belgium	418910-A41 Latin America 418910-161
	Brazil	418910-201 Norway 418910-091
	The Czech Republic	418910-221 Portugal 418910-131 Russia 418910-251
	Denmark	418910-081 Saudi Arabia 418910-171
	France	418910-051 Slovakia 418910-231
	French Canada	418910-121 Slovenia 418910-BA1
	Germany	418910-041 Spain 418910-071
	Greece	418910-151 Sweden/Finland 418910-101
	Hungary	418910-211 Switzerland 418910-111
	Iceland	418910-DD1 Taiwan 418910-AB1
	Internationally	418910-021 Thailand 418910-281
	Israel	418910-BB1 Turkey 418910-141
	Italy	418910-061 The United 418910-031
	Japan	418910-291 Kingdom
	Korea	418910-AD1 The United States 418910-001



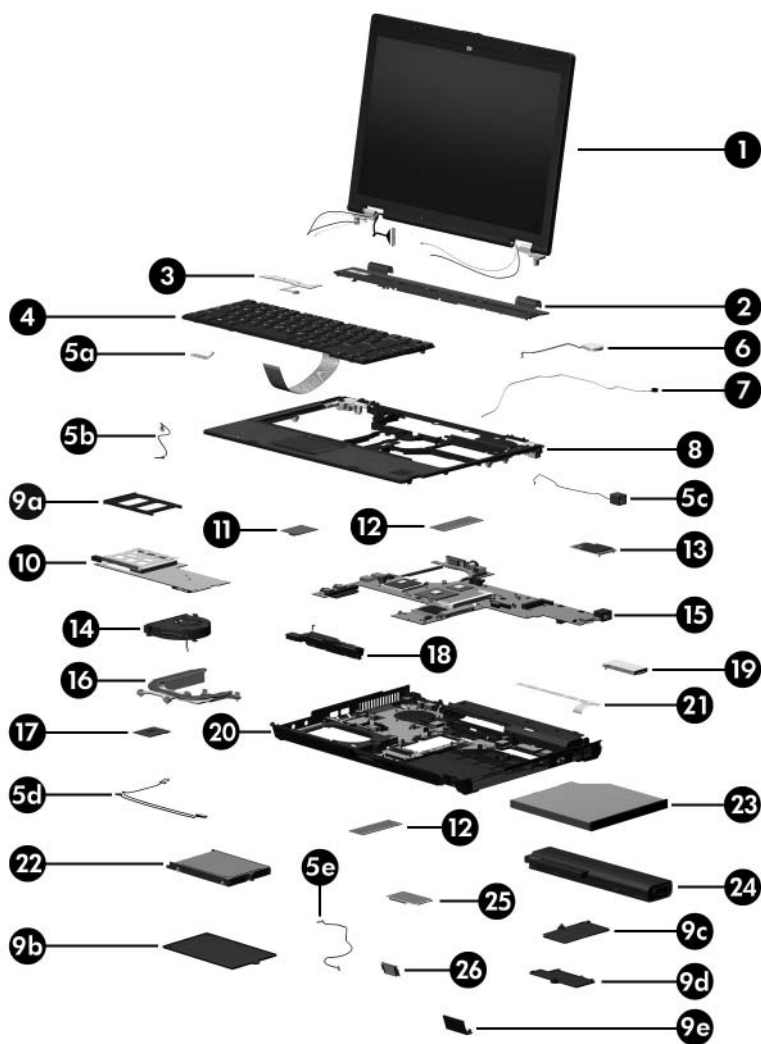


Computer Major Components

**Table 3-1**

**Spare Parts: Computer Major Components (Continued)**

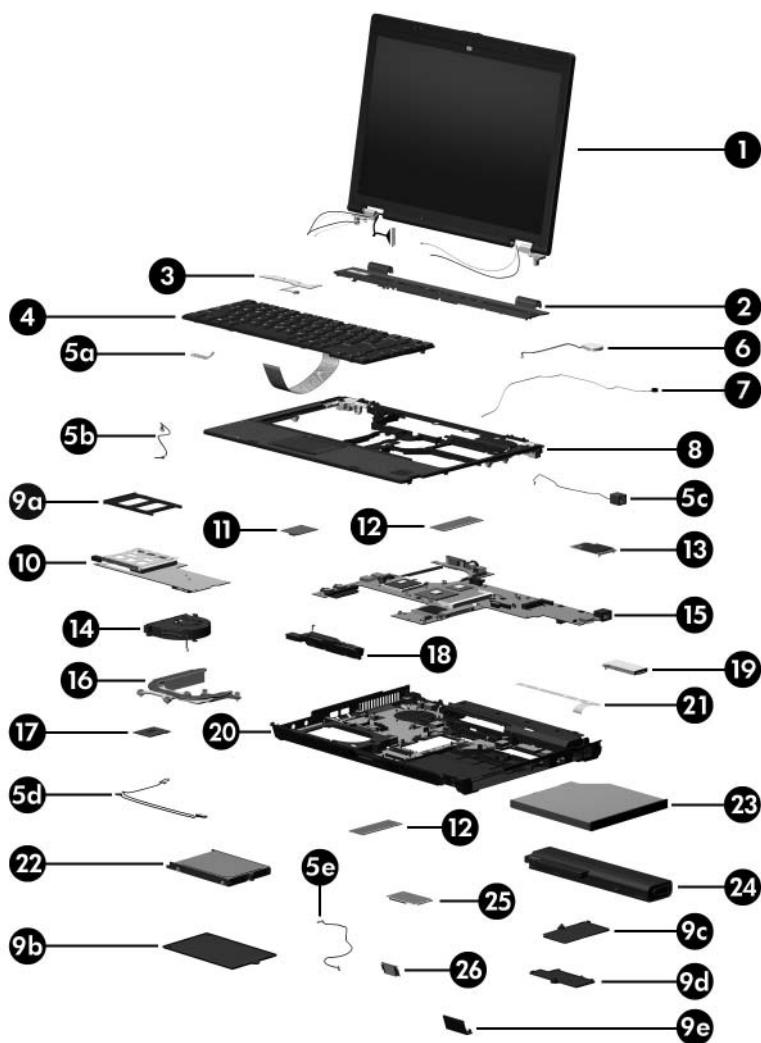
<b>Item</b>	<b>Description</b>	<b>Spare Part Number</b>
	<b>Cable Kit</b>	418876-001
5a	Pointing stick cable	
5b	TouchPad cable	
5c	Modem cable	
5d	Audio cable	
5e	Bluetooth cable	
6	<b>RTC battery</b>	418880-001
7	<b>Microphone</b>	418903-001
8	<b>Top cover</b>	
	Top cover (includes TouchPad, smart card reader, and fingerprint reader board)	418882-001
	Top cover (includes TouchPad and smart card reader)	438169-001
	<b>Plastics Kit</b>	418877-001
9a	PC Card slot bezel	
9b	Hard drive cover	
9c	Memory cover	
9d	Mini Card cover	
9e	Bluetooth cover	
10	<b>PC Card/digital media board</b>	418884-001
11	<b>Modem module</b>	418849-001
12	<b>Memory modules, 1-DIMM</b>	
	PC2-5300	PC2-4200
	2048 MB 418857-001	2048 MB 418853-001
	1024 MB 418856-001	1024 MB 418852-001
	512 MB 418855-001	512 MB 418851-001
	256 MB 418854-001	256 MB 418850-001



Computer Major Components

**Table 3-1****Spare Parts: Computer Major Components (Continued)**

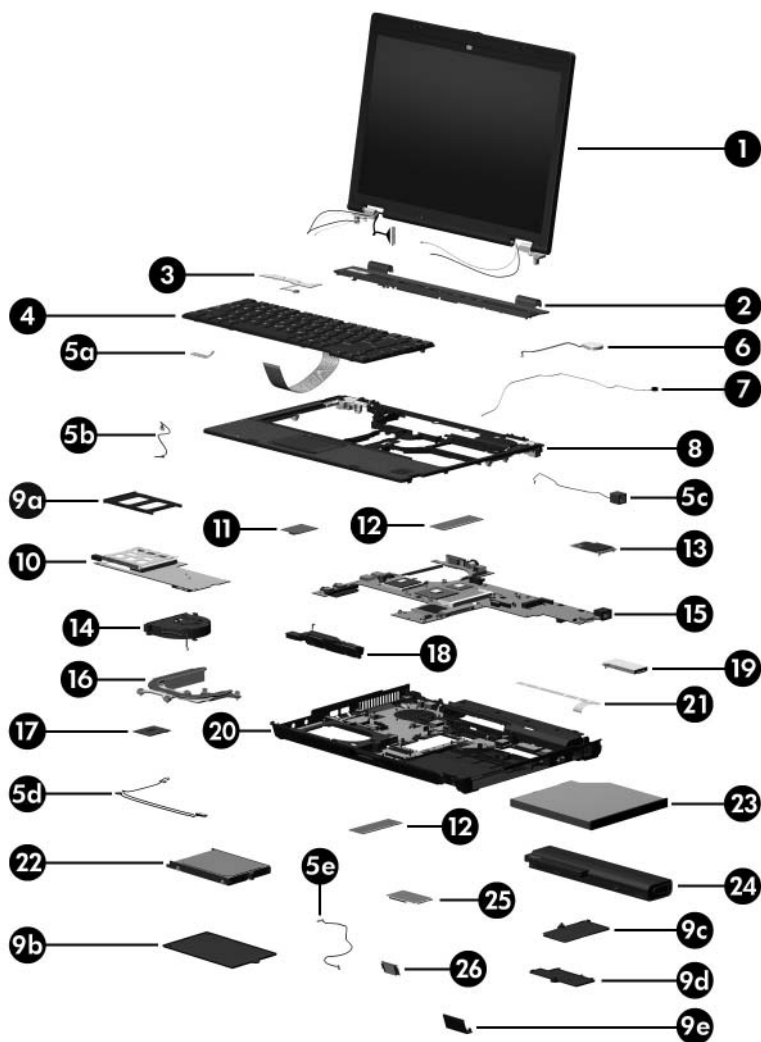
<b>Item</b>	<b>Description</b>	<b>Spare Part Number</b>
13	<b>Mini Card WWAN module</b>	418860-001
	For use with Verizon networks	418860-001
	For use with Vodafone networks	435098-001
	For use with Cingular networks	436668-001
14	<b>Fan assembly</b>	418886-001
15	<b>System boards</b> (include thermal grease, alcohol pad, and thermal pad)	
	128-MB discrete, for use only with heat sink with spare part number 418887-001	418904-001
	64-MB discrete, for use only with heat sink with spare part number 418887-001	430495-001
	UMA, for use only with heat sink with spare part number 418930-001	418931-001
16	<b>Heat sinks</b> (include thermal grease, alcohol pad, and thermal pad)	
	For use only with discrete system boards (spare part numbers 418904-001 and 430495-001)	418887-001
	For use only with discrete system boards	438875-001
	For use only with the UMA system board (spare part number 418931-001)	418930-001
	For use only with the UMA system board	438876-001



Computer Major Components

**Table 3-1****Spare Parts: Computer Major Components (Continued)**

<b>Item</b>	<b>Description</b>	<b>Spare Part Number</b>		
17	<b>Processors</b> (include thermal grease, alcohol pad, and thermal pad)			
	Intel Core Duo T7600 (2.33-GHz) processor	435860-001		
	Intel Core Duo T7400 (2.16-GHz) processor	435861-001		
	Intel Core Duo T7200 (2.0-GHz) processor	435862-001		
	Intel Core Duo T5600 (1.83-GHz) processor	435863-001		
	Intel Core Duo T5500 (1.66-GHz) processor	435864-001		
	Intel Core Duo T2300E (1.66-GHz) processor	436012-001		
	Intel Core Duo T2600 (2.17-GHz) processor	418874-001		
	Intel Core Duo T2500 (2.00-GHz) processor	418870-001		
	Intel Core Duo T2400 (1.83-GHz) processor	418869-001		
	Intel Core Duo T2300 (1.67-GHz) processor	418868-001		
	Intel Core Solo T1300 (1.66-GHz) processor	418885-001		
	Intel Celeron M 440 (1.80 GHz) processor	444966-001		
	Intel Celeron M 430 (1.73 GHz) processor	444965-001		
18	<b>Speaker</b>	418883-001		
19	<b>MultiBay II eject assembly</b>	418905-001		
20	<b>Base enclosure</b> (includes LED board and LED board cable)	418881-001		
21	<b>LED board</b> (includes LED board cable)	418901-001		
22	<b>Hard drives</b>			
	7200 rpm	5400 rpm		
	100 GB	431125-001	120 GB	440880-001
	80 GB	431124-001	100 GB	418863-001
	60 GB	418861-001	80 GB	418862-001
			60 GB	418859-001
			40 GB	418858-001

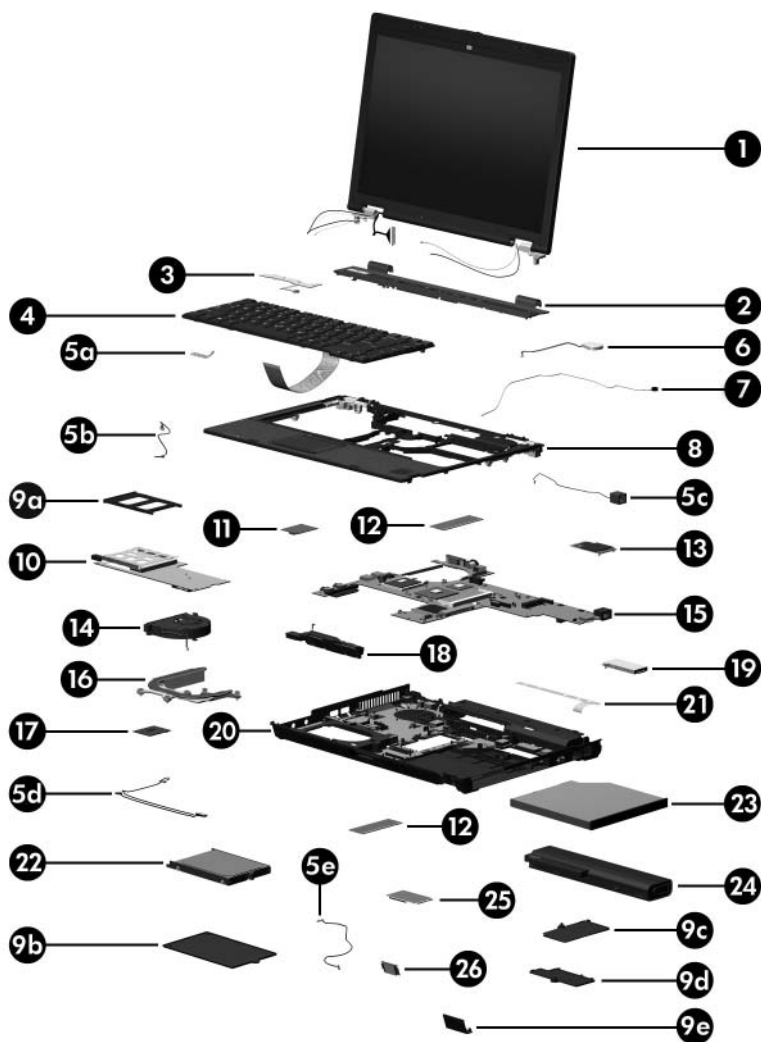


Computer Major Components

**Table 3-1****Spare Parts: Computer Major Components (Continued)**

<b>Item</b>	<b>Description</b>	<b>Spare Part Number</b>		
23	<b>MultiBay II drives</b> (include bezel)			
	DVD±RW and CD-RW Double-Layer Combo Drive	418866-001		
	DVD±RW and CD-RW Combo Drive	418865-001		
	DVD-ROM drive	418864-001		
24	<b>Battery</b>			
	8-cell, 5.1-AH	418867-001		
	4-cell, 2.5-AH	418871-001		
25	<b>Mini Card WLAN modules</b>			
	802.11b/g HS WLAN module for use in North America	407107-001		
	802.11b/g HS WLAN module for use in the countries or regions listed below. These countries or regions are categorized as the rest of the world (ROW).	407107-002		
	China	Honduras	Qatar	Uruguay
	Ecuador	Pakistan	South Korea	Venezuela
	Haiti	Peru		
	802.11b/g HS WLAN module for use in Japan	407107-291		
	802.11b/g LJ WLAN module for use in North America	407108-001		
	802.11b/g LJ WLAN module for use in the countries or regions listed below. These countries or regions are categorized as the rest of the world (ROW).	407108-002		
	China	Honduras	Qatar	Uruguay
	Ecuador	Pakistan	South Korea	Venezuela
	Haiti	Peru		
	802.11b/g LJ WLAN module for use in Japan	407108-291		

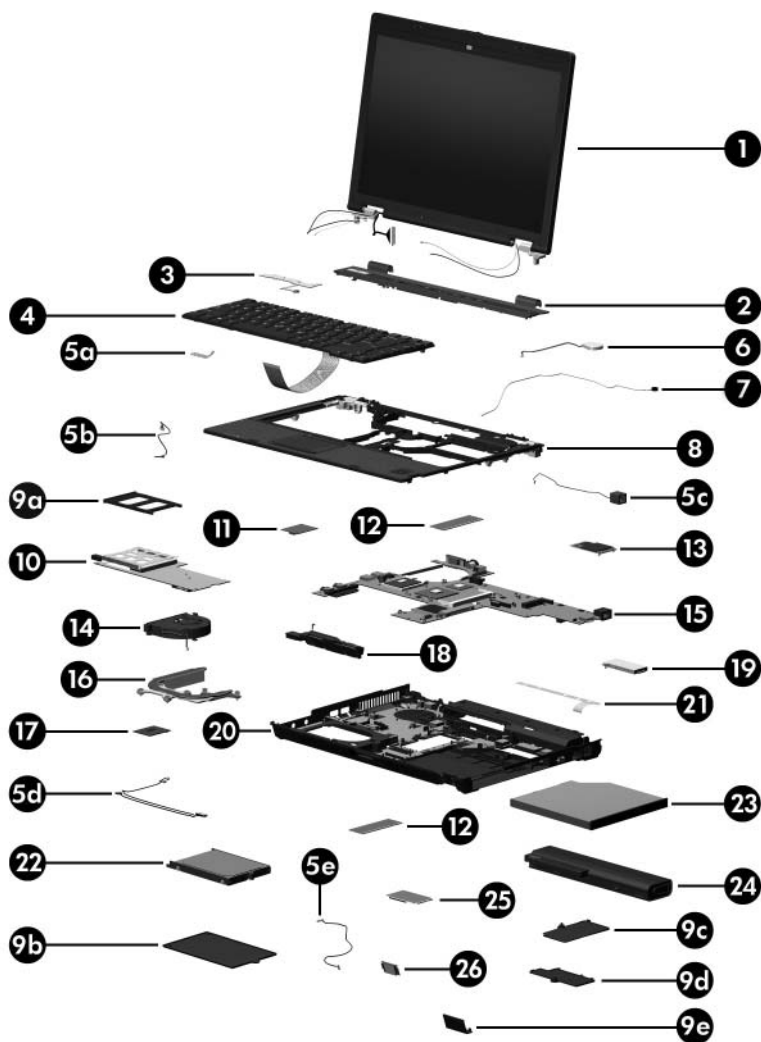




Computer Major Components

**Table 3-1****Spare Parts: Computer Major Components (Continued)**

<b>Item</b>	<b>Description</b>	<b>Spare Part Number</b>
25	<b>Mini Card WLAN modules (Continued)</b>	
	802.11a/b/g GL WLAN module for use in the countries or regions listed below. These countries or regions are categorized as most of the world (MOW 1).	407576-001
	Antigua & Barbuda	Canada
	Argentina	Chile
	Australia	Dominican Republic
	Bahamas	Guam
	Barbados	Guatemala
	Brunei	Hong Kong
		Panama
		India
		Indonesia
		Malaysia
		Mexico
		New Zealand
		Paraguay
		Saudi Arabia
		Taiwan
		The United States
		Vietnam
	802.11a/b/g GL WLAN module for use in the countries or regions listed below. These countries or regions are categorized as most of the world (MOW 2).	407576-002
	Aruba	El Salvador
	Austria	Estonia
	Azerbaijan	Finland
	Bahrain	France
	Belgium	Georgia
	Bermuda	Germany
	Bulgaria	Greece
	Cayman Islands	Hungary
	Columbia	Iceland
	Croatia	Ireland
	Cyprus	Italy
	Czech Republic	Latvia
	Denmark	Lebanon
	Egypt	Philippines
		Poland
		Portugal
		Romania
		Russia
		Serbia and Montenegro
		Singapore
		Slovakia
		Liechtenstein
		Lithuania
		Luxembourg
		Malta
		Monaco
		The Netherlands
		Norway
		Oman
		Slovenia
		South Africa
		Spain
		Sri Lanka
		Sweden
		Switzerland
		Turkey
		The United Kingdom
		Uzbekistan

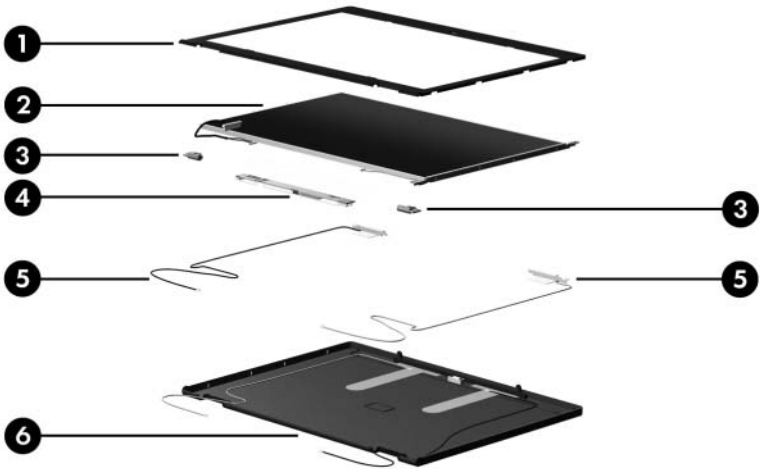


Computer Major Components

**Table 3-1****Spare Parts: Computer Major Components (Continued)**

<b>Item</b>	<b>Description</b>	<b>Spare Part Number</b>
25	<b>Mini Card WLAN modules (Continued)</b>	
	802.11a/b/g GL WLAN module for use in the countries or regions listed below. These countries or regions are categorized as the rest of the world (ROW).	407576-003
	China                      Honduras                      Qatar	Uruguay
	Ecuador                      Pakistan                      South Korea	Venezuela
	Haiti                      Peru	
	802.11a/b/g GL WLAN module for use in Japan	407576-291
	802.11b/g GL WLAN module for use in Korea	407576-AD1
	802.11b/g GL WLAN module for use in the following countries or regions:	409250-004
	Israel                      Kuwait                      United Arab Emirates	Ukraine
	Jordan                      Thailand	
26	Bluetooth® module (includes Bluetooth module cable)	409993-001

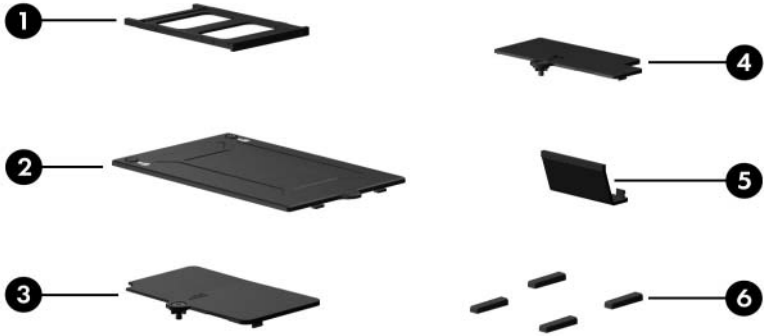
### 3.3 Display Assembly Components



**Table 3-2**  
**Display Assembly Components**  
**Spare Part Number Information**

Item	Description	Spare Part Number
1	<b>Display bezel</b>	418889-001
2	<b>Display panels</b> 14.1-inch, WXGA+ 14.1-inch, WXGA	418891-001 418890-001
3	<b>Display Hinge Kit</b>	418902-001
4	<b>Display Inverter</b>	418888-001
5	<b>Wireless Antenna Kit</b>	418899-001
6	<b>Display enclosure</b>	418895-001
	Not illustrated:	
	<b>Display Bracket Kit</b> (includes left display bracket)	418894-001
	<b>Display Cable Kit</b> (for use with 14.1-inch, WXGA+ display panel)	418898-001
	<b>Display Cable Kit</b> (for use with 14.1-inch, WXGA display panel)	418897-001
	<b>Display Screw Kit</b>	418892-001
	<b>Display Rubber Kit</b> (includes all display bezel rubber and mylar screw covers)	418893-001

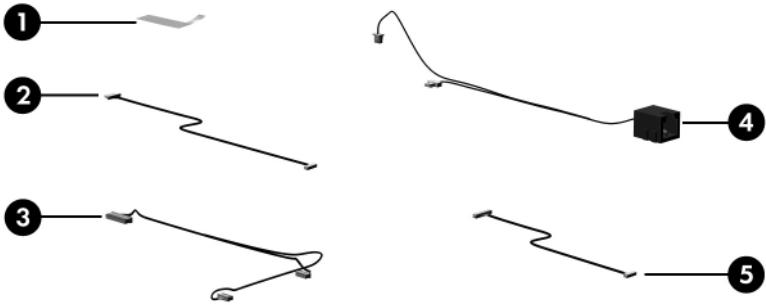
### 3.4 Plastics Kit



**Table 3-3**  
**Plastics Kit**  
**Spare Part Number Information**

Item	Description	Spare Part Number
	<b>Plastics Kit</b> Includes:	418877-001
1	PC Card slot bezel	
2	Hard drive cover (includes 2 captive screws, captured by C clips)	
3	Memory module compartment cover (includes 1 captive screw, captured by C clip)	
4	Mini Card module compartment cover (includes 1 captive screw, captured by C clip)	
5	Bluetooth module cover (includes 1 captive screw, captured by C clip)	
6	Computer feet (4)	

## 3.5 Cable Kit

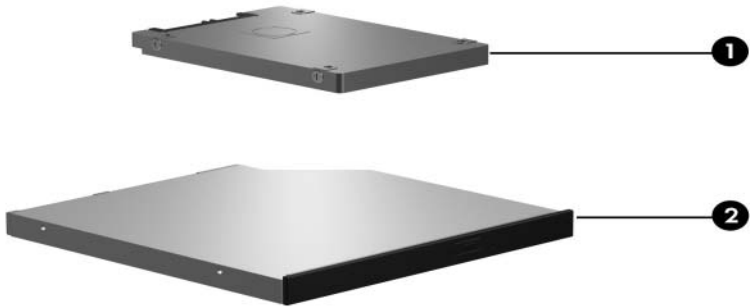


**Table 3-4**  
**Cable Kit**  
**Spare Part Number Information**

Item	Description	Spare Part Number
	<b>Cable Kit</b> Includes:	418876-001
1	Pointing stick cable	
2	Bluetooth module cable	
3	Audio cable	
4	Modem module cable	
5	TouchPad cable	



## 3.6 Mass Storage Devices



**Table 3-5**  
**Mass Storage Devices**  
**Spare Part Number Information**

Item	Description	Spare Part Number
1	<b>Hard drives</b> (include frame and connector)	
	7200 rpm	5400 rpm
	100 GB	120 GB
	80 GB	100 GB
	60 GB	80 GB
		60 GB
		40 GB
2	<b>Optical drives</b> (include bezel)	
	DVD±RW and CD-RW Double-Layer Combo Drive	418866-001
	DVD±RW and CD-RW Combo Drive	418865-001
	DVD-ROM drive	418864-001

## 3.7 Miscellaneous (Not Illustrated)

**Table 3-6**  
**Miscellaneous (Not Illustrated)**  
**Spare Part Information**

<b>Description</b>	<b>Spare Part Number</b>
<b>90-watt non-PFC AC adapter</b>	418873-001
<b>90-watt PFC AC adapter</b>	418875-001
<b>65-watt PFC AC adapter</b>	418872-001
<b>External MultiBay II</b>	366143-001
<b>Fingerprint reader insert</b> (for use as a filler in a non-used fingerprint reader)	438170-001
<b>External MultiBay II power cable and stand</b>	366144-001
<b>HP Extended Life Battery</b>	367456-001
<b>HP Docking Station</b>	374803-001
<b>HP Docking Station Miscellaneous Plastics Kit</b>	380089-001
<b>Label Kit</b>	418879-001
<b>MultiBay 8X DVD-ROM Drive</b>	373314-001
<b>MultiBay 24X DVD/CD-RW Combo Drive</b>	373315-001
<b>Nylon carrying case</b>	325814-001
<b>USB 1.1 diskette drive</b>	359118-001

**Table 3-6**  
**Miscellaneous (Not Illustrated)**  
**Spare Part Information (Continued)**

Description	Spare Part Number
<b>Power cords:</b>	
For use in the United States	350055-001
For use in Australia	350055-011
For use in Europe	350055-021
For use in the United Kingdom	350055-031
For use in Italy	350055-061
For use in Denmark	350055-081
For use in Brazil	350055-201
For use in Japan	350055-291
For use in the People's Republic of China	350055-AA1
For use in Korea	350055-AD1
For use in Israel	350055-BB1
For use in Switzerland	350055-BG1
For use in French Canada	350055-DB1
<b>Screw Kit</b> (includes the following screws; refer to <a href="#">Appendix A, "Screw Listing,"</a> for more information on specifications and usage)	418878-001
<ul style="list-style-type: none"> <li>■ Phillips PM3.0×3.0 screw</li> <li>■ Phillips PM2.5×17.0 screw</li> <li>■ Phillips PM2.5×13.0 spring-loaded screw</li> <li>■ Phillips PM2.5×7.0 screw</li> <li>■ Phillips PM2.5×4.0 screw</li> </ul>	<ul style="list-style-type: none"> <li>■ Phillips PM2.0×6.0 screw</li> <li>■ Phillips PM2.0×4.0 screw</li> <li>■ Torx8 T8M2.5×19.0 screw</li> <li>■ Torx8 T8M2.5×9.0 screw</li> <li>■ Torx8 T8M2.5×7.0 screw</li> <li>■ Torx8 T8M2.5×4.0 screw</li> </ul>

## 3.8 Sequential Part Number Listing

Table 3-7

### Sequential Part Number Listing

Spare Part Number	Description
325814-001	Nylon carrying case
350055-001	Power cord for use in the United States
350055-011	Power cord for use in Australia
350055-021	Power cord for use in Europe
350055-061	Power cord for use in Italy
350055-031	Power cord for use in the United Kingdom
350055-081	Power cord for use in Denmark
350055-201	Power cord for use in Brazil
350055-291	Power cord for use in Japan
350055-AA1	Power cord for use in the People's Republic of China
350055-AD1	Power cord for use in Korea
350055-BB1	Power cord for use in Israel
350055-BG1	Power cord for use in Switzerland
350055-DB1	Power cord for use in French Canada
359118-001	USB 1.1 diskette drive
366143-001	External MultiBay II
366144-001	External MultiBay II power cable and stand
367456-001	HP Extended Life Battery
374803-001	HP Docking Station
380089-001	HP Docking Station Miscellaneous Plastics Kit

**Table 3-7**  
**Sequential Part Number Listing (Continued)**

Spare Part Number	Description			
407107-001	802.11b/g HS WLAN Mini Card module for use in North America			
407107-002	802.11b/g HS WLAN Mini Card module for use in the ROW countries or regions listed below:			
	China	Honduras	Qatar	Uruguay
	Ecuador	Pakistan	South Korea	Venezuela
	Haiti	Peru		
407107-291	802.11b/g HS WLAN module for use in Japan			
407108-001	802.11b/g LJ WLAN module for use in North America			
407108-002	802.11b/g LJ WLAN Mini Card module for use in the ROW countries or regions listed below:			
	China	Honduras	Qatar	Uruguay
	Ecuador	Pakistan	South Korea	Venezuela
	Haiti	Peru		
407108-291	802.11b/g LJ WLAN module for use in Japan			
407576-001	802.11a/b/g GL WLAN module for use in the MOW1 countries or regions listed below:			
	Antigua & Barbuda	Canada	Panama	Paraguay
	Argentina	Chile	India	Saudi Arabia
	Australia	Dominican Republic	Indonesia	Taiwan
	Bahamas	Guam	Malaysia	The United States
	Barbados	Guatemala	Mexico	States
	Brunei	Hong Kong	New Zealand	Vietnam

**Table 3-7**  
**Sequential Part Number Listing (*Continued*)**

<b>Spare Part Number</b>	<b>Description</b>																																																																
407576-002	802.11a/b/g GL WLAN Mini Card module for use in the MOW2 countries or regions listed below: <table border="0" style="width: 100%; margin-left: 20px;"> <tr> <td>Aruba</td> <td>El Salvador</td> <td>Poland</td> <td>Norway</td> </tr> <tr> <td>Austria</td> <td>Estonia</td> <td>Portugal</td> <td>Oman</td> </tr> <tr> <td>Azerbaijan</td> <td>Finland</td> <td>Romania</td> <td>Slovenia</td> </tr> <tr> <td>Bahrain</td> <td>France</td> <td>Russia</td> <td>South Africa</td> </tr> <tr> <td>Belgium</td> <td>Georgia</td> <td>Serbia and</td> <td>Spain</td> </tr> <tr> <td>Bermuda</td> <td>Germany</td> <td>Montenegro</td> <td>Sri Lanka</td> </tr> <tr> <td>Bulgaria</td> <td>Greece</td> <td>Singapore</td> <td>Sweden</td> </tr> <tr> <td>Cayman</td> <td>Hungary</td> <td>Slovakia</td> <td>Switzerland</td> </tr> <tr> <td>Islands</td> <td>Iceland</td> <td>Liechtenstein</td> <td>Turkey</td> </tr> <tr> <td>Columbia</td> <td>Ireland</td> <td>Lithuania</td> <td>The United</td> </tr> <tr> <td>Croatia</td> <td>Italy</td> <td>Luxembourg</td> <td>Kingdom</td> </tr> <tr> <td>Cyprus</td> <td>Latvia</td> <td>Malta</td> <td>Uzbekistan</td> </tr> <tr> <td>The Czech</td> <td>Lebanon</td> <td>Monaco</td> <td></td> </tr> <tr> <td>Republic</td> <td>The</td> <td>The</td> <td></td> </tr> <tr> <td>Denmark</td> <td>Philippines</td> <td>Netherlands</td> <td></td> </tr> <tr> <td>Egypt</td> <td></td> <td></td> <td></td> </tr> </table>	Aruba	El Salvador	Poland	Norway	Austria	Estonia	Portugal	Oman	Azerbaijan	Finland	Romania	Slovenia	Bahrain	France	Russia	South Africa	Belgium	Georgia	Serbia and	Spain	Bermuda	Germany	Montenegro	Sri Lanka	Bulgaria	Greece	Singapore	Sweden	Cayman	Hungary	Slovakia	Switzerland	Islands	Iceland	Liechtenstein	Turkey	Columbia	Ireland	Lithuania	The United	Croatia	Italy	Luxembourg	Kingdom	Cyprus	Latvia	Malta	Uzbekistan	The Czech	Lebanon	Monaco		Republic	The	The		Denmark	Philippines	Netherlands		Egypt			
Aruba	El Salvador	Poland	Norway																																																														
Austria	Estonia	Portugal	Oman																																																														
Azerbaijan	Finland	Romania	Slovenia																																																														
Bahrain	France	Russia	South Africa																																																														
Belgium	Georgia	Serbia and	Spain																																																														
Bermuda	Germany	Montenegro	Sri Lanka																																																														
Bulgaria	Greece	Singapore	Sweden																																																														
Cayman	Hungary	Slovakia	Switzerland																																																														
Islands	Iceland	Liechtenstein	Turkey																																																														
Columbia	Ireland	Lithuania	The United																																																														
Croatia	Italy	Luxembourg	Kingdom																																																														
Cyprus	Latvia	Malta	Uzbekistan																																																														
The Czech	Lebanon	Monaco																																																															
Republic	The	The																																																															
Denmark	Philippines	Netherlands																																																															
Egypt																																																																	
407576-003	802.11a/b/g GL WLAN Mini Card module for use in the ROW countries or regions listed below: <table border="0" style="width: 100%; margin-left: 20px;"> <tr> <td>China</td> <td>Honduras</td> <td>Qatar</td> <td>Uruguay</td> </tr> <tr> <td>Ecuador</td> <td>Pakistan</td> <td>South Korea</td> <td>Venezuela</td> </tr> <tr> <td>Haiti</td> <td>Peru</td> <td></td> <td></td> </tr> </table>	China	Honduras	Qatar	Uruguay	Ecuador	Pakistan	South Korea	Venezuela	Haiti	Peru																																																						
China	Honduras	Qatar	Uruguay																																																														
Ecuador	Pakistan	South Korea	Venezuela																																																														
Haiti	Peru																																																																
407576-291	802.11a/b/g GL WLAN Mini Card module for use in Japan																																																																
409250-004	802.11b/g GL WLAN Mini Card module for use in the following countries or regions: <table border="0" style="width: 100%; margin-left: 20px;"> <tr> <td>Israel</td> <td>Kuwait</td> <td>United Arab</td> <td>Ukraine</td> </tr> <tr> <td>Jordan</td> <td>Thailand</td> <td>Emirates</td> <td></td> </tr> </table>	Israel	Kuwait	United Arab	Ukraine	Jordan	Thailand	Emirates																																																									
Israel	Kuwait	United Arab	Ukraine																																																														
Jordan	Thailand	Emirates																																																															
409993-001	Bluetooth module (includes Bluetooth module cable)																																																																
418849-001	Modem module																																																																
418850-001	1-DIMM, PC2-4200, 256-MB memory module																																																																

**Table 3-7**  
**Sequential Part Number Listing (*Continued*)**

<b>Spare Part Number</b>	<b>Description</b>
418851-001	1-DIMM, PC2-4200, 512-MB memory module
418852-001	1-DIMM, PC2-4200, 1024-MB memory module
418853-001	1-DIMM, PC2-4200, 2048-MB memory module
418854-001	1-DIMM, PC2-5300, 256-MB memory module
418855-001	1-DIMM, PC2-5300, 512-MB memory module
418856-001	1-DIMM, PC2-5300, 1024-MB memory module
418857-001	1-DIMM, PC2-5300, 2048-MB memory module
418858-001	5400-rpm, 40-GB hard drive
418859-001	5400-rpm, 60-GB hard drive
418860-001	Mini Card WWAN module for use with Verizon networks
418861-001	7200-rpm, 60-GB hard drive
418862-001	5400-rpm, 80-GB hard drive
418863-001	5400-rpm, 100-GB hard drive
418864-001	8X DVD-ROM Drive
418865-001	24X DVD/CD-RW Combo Drive
418866-001	DVD±RW and CD-RW Double-Layer Combo Drive
418867-001	8-cell, 5.1-AH battery
418868-001	Intel Core Duo T2300 (1.67-GHz) processor (includes thermal paste)
418869-001	Intel Core Duo T2400 (1.83-GHz) processor (includes thermal paste)
418870-001	Intel Core Duo T2500 (2.00-GHz) processor (includes thermal paste)
418871-001	4-cell, 2.5-AH battery

**Table 3-7**  
**Sequential Part Number Listing (*Continued*)**

<b>Spare Part Number</b>	<b>Description</b>
418872-001	65-watt AC adapter
418873-001	90-watt non-PFC AC adapter
418874-001	Intel Core Duo T2600 (2.17-GHz) processor (includes thermal paste)
418875-001	90-watt PFC AC adapter
418876-001	Cable Kit
418877-001	Plastics Kit
418878-001	Screw Kit
418879-001	Label Kit
418880-001	RTC battery
418881-001	Base enclosure
418882-001	Top cover with 3 pointing stick buttons and 3 TouchPad buttons, for use with keyboards with Pointing Stick
418883-001	Speaker
418884-001	PC Card/digital media board
418885-001	Intel Core Solo T1300 (1.67-GHz) processor (includes thermal paste)
418886-001	Fan assembly
418887-001	Heat sink for use only with discrete system boards (spare part numbers 418904-001 and 430495-001, includes thermal grease, alcohol pad, and thermal pad)
418888-001	Display Inverter
418889-001	Display bezel
418890-001	14.1-inch, WXGA display panel



**Table 3-7**  
**Sequential Part Number Listing (*Continued*)**

<b>Spare Part Number</b>	<b>Description</b>
418891-001	14.1-inch, WXGA+ display panel
418892-001	Display Screw Kit
418893-001	Display Rubber Kit
418894-001	Display Bracket Kit
418895-001	Display enclosure
418896-001	14.1-inch, WXGA display assembly (includes wireless antenna transceivers and cables)
418897-001	Display Cable Kit for use with WXGA display panel
418898-001	Display Cable Kit for use with WXGA+ display panel
418899-001	Wireless Antenna Kit
418900-001	Switch cover
418901-001	LED board (includes LED board cable)
418902-001	Display Hinge Kit
418903-001	Microphone
418904-001	128-MB discrete system board, for use only with heat sink with spare part number 418887-001 (includes thermal grease, alcohol pad, and thermal pad)
418905-001	MultiBay II eject assembly
418907-001	14.1-inch, WXGA+ display assembly (includes wireless antenna transceivers and cables)
418908-001	Power button board (includes power button board cable)
418910-001	Keyboard for use in the United States
418910-021	Keyboard for international use
418910-031	Keyboard for use in the United Kingdom

**Table 3-7**  
**Sequential Part Number Listing (*Continued*)**

<b>Spare Part Number</b>	<b>Description</b>
418910-041	Keyboard for use in Germany
418910-051	Keyboard for use in France
418910-061	Keyboard for use in Italy
418910-071	Keyboard for use in Spain
418910-081	Keyboard for use in Denmark
418910-091	Keyboard for use in Norway
418910-101	Keyboard for use in Sweden/Finland
418910-111	Keyboard for use in Switzerland
418910-121	Keyboard for use in French Canada
418910-131	Keyboard for use in Portugal
418910-141	Keyboard for use in Turkey
418910-151	Keyboard for use in Greece
418910-161	Keyboard for use in Latin America
418910-171	Keyboard for use in Saudi Arabia
418910-201	Keyboard for use in Brazil
418910-211	Keyboard for use in Hungary
418910-221	Keyboard for use in the Czech Republic
418910-231	Keyboard for use in Slovakia
418910-251	Keyboard for use in Russia
418910-281	Keyboard for use in Thailand
418910-291	Keyboard for use in Japan
418910-A41	Keyboard for use in Belgium

**Table 3-7**  
**Sequential Part Number Listing (*Continued*)**

<b>Spare Part Number</b>	<b>Description</b>
418910-AB1	Keyboard for use in Taiwan
418910-AD1	Keyboard for use in Korea
418910-BA1	Keyboard for use in Slovenia
418910-BB1	Keyboard for use in Israel
418910-DD1	Keyboard for use in Iceland
418930-001	Heat sink for use only with the UMA system board, spare part number 418931-001 (includes thermal grease, alcohol pad, and thermal pad)
418931-001	UMA system board, for use only with heat sink with spare part number 418930-001 (includes thermal grease, alcohol pad, and thermal pad)
430495-001	64-MB discrete system board, for use only with heat sink with spare part number 418887-001 (includes thermal grease, alcohol pad, and thermal pad)
431124-001	7200-rpm, 80-GB hard drive
431125-001	7200-rpm, 100-GB hard drive
435098-001	Mini Card WWAN module for use with Vodafone networks
435860-001	Intel Core Duo T7600 (2.33-GHz) processor
435861-001	Intel Core Duo T7400 (2.16-GHz) processor
435862-001	Intel Core Duo T7200 (2.0-GHz) processor
435863-001	Intel Core Duo T5600 (1.83-GHz) processor
435864-001	Intel Core Duo T5500 (1.66-GHz) processor
436012-001	Intel Core Duo T2300E (1.66-GHz) processor
436668-001	Mini Card WWAN module for use with Cingular networks
438169-001	Top cover (includes TouchPad and smart card reader)

**Table 3-7**  
**Sequential Part Number Listing (*Continued*)**

<b>Spare Part Number</b>	<b>Description</b>
438170-001	Fingerprint reader insert (for use as a filler in a non-used fingerprint reader)
438875-001	Heat sink for use only with discrete system boards (spare part numbers 418904-001 and 430495-001), includes thermal grease, alcohol pad, and thermal pad
438876-001	Heat sink for use only with the UMA system board (spare part number 418931-001), includes thermal grease, alcohol pad, and thermal pad
440880-001	5400-rpm, 120-GB hard drive
444966-001	Intel Celeron M 440 (1.80-GHz) processor
444965-001	Intel Celeron M 430 (1.73-GHz) processor

---

## Removal and Replacement Preliminaries

This chapter provides essential information for proper and safe removal and replacement service.

### 4.1 Tools Required

You will need the following tools to complete the removal and replacement procedures:

- Magnetic screwdriver
- Phillips P0 and P1 screwdrivers
- Torx8 screwdriver
- Flat-bladed screwdriver

## 4.2 Service Considerations

The following sections include some of the considerations that you should keep in mind during disassembly and assembly procedures.



As you remove each subassembly from the computer, place the subassembly (and all accompanying screws) away from the work area to prevent damage.

---

### Plastic Parts

Using excessive force during disassembly and reassembly can damage plastic parts. Use care when handling the plastic parts. Apply pressure only at the points designated in the maintenance instructions.

### Cables and Connectors



**CAUTION:** When servicing the computer, be sure that cables are placed in their proper locations during the reassembly process. Improper cable placement can damage the computer.

---

Cables must be handled with extreme care to avoid damage. Apply only the tension required to unseat or seat the cables during removal and insertion. Handle cables by the connector whenever possible. In all cases, avoid bending, twisting, or tearing cables. Be sure that cables are routed in such a way that they cannot be caught or snagged by parts being removed or replaced. Handle flex cables with extreme care; these cables tear easily.

## 4.3 Preventing Damage to Removable Drives

Removable drives are fragile components that must be handled with care. To prevent damage to the computer, damage to a removable drive, or loss of information, observe the following precautions:

- Before removing or inserting a hard drive, shut down the computer. If you are unsure whether the computer is off or in hibernation, turn the computer on, and then shut it down through the operating system.
- Before removing a diskette drive or optical drive, be sure that a diskette or disc is not in the drive and be sure that the optical drive tray is closed.
- Before handling a drive, be sure that you are discharged of static electricity. While handling a drive, avoid touching the connector.
- Handle drives on surfaces covered with at least one inch of shock-proof foam.
- Avoid dropping drives from any height onto any surface.
- After removing a hard drive, an optical drive, or a diskette drive, place it in a static-proof bag.
- Avoid exposing a hard drive to products that have magnetic fields, such as monitors or speakers.
- Avoid exposing a drive to temperature extremes or liquids.
- If a drive must be mailed, place the drive in a bubble pack mailer or other suitable form of protective packaging and label the package “FRAGILE: Handle With Care.”

## **4.4 Preventing Electrostatic Damage**

Many electronic components are sensitive to electrostatic discharge (ESD). Circuitry design and structure determine the degree of sensitivity. Networks built into many integrated circuits provide some protection, but in many cases, the discharge contains enough power to alter device parameters or melt silicon junctions.

A sudden discharge of static electricity from a finger or other conductor can destroy static-sensitive devices or microcircuitry. Often the spark is neither felt nor heard, but damage occurs.

An electronic device exposed to electrostatic discharge might not be affected at all and can work perfectly throughout a normal cycle. Or the device might function normally for a while, then degrade in the internal layers, reducing its life expectancy.



## 4.5 Packaging and Transporting Precautions

Use the following grounding precautions when packaging and transporting equipment:

- To avoid hand contact, transport products in static-safe containers, such as tubes, bags, or boxes.
- Protect all electrostatic-sensitive parts and assemblies with conductive or approved containers or packaging.
- Keep electrostatic-sensitive parts in their containers until the parts arrive at static-free workstations.
- Place items on a grounded surface before removing items from their containers.
- Always be properly grounded when touching a sensitive component or assembly.
- Store reusable electrostatic-sensitive parts from assemblies in protective packaging or nonconductive foam.
- Use transporters and conveyors made of antistatic belts and roller bushings. Be sure that mechanized equipment used for moving materials is wired to ground and that proper materials are selected to avoid static charging. When grounding is not possible, use an ionizer to dissipate electric charges.

## 4.6 Workstation Precautions

Use the following grounding precautions at workstations:

- Cover the workstation with approved static-shielding material (refer to [Table 4-2, “Static-Shielding Materials”](#)).
- Use a wrist strap connected to a properly grounded work surface and use properly grounded tools and equipment.
- Use conductive field service tools, such as cutters, screwdrivers, and vacuums.
- When fixtures must directly contact dissipative surfaces, use fixtures made only of static-safe materials.
- Keep the work area free of nonconductive materials, such as ordinary plastic assembly aids and Styrofoam.
- Handle electrostatic-sensitive components, parts, and assemblies by the case or PCM laminate. Handle these items only at static-free workstations.
- Avoid contact with pins, leads, or circuitry.
- Turn off power and input signals before inserting or removing connectors or test equipment.

## 4.7 Grounding Equipment and Methods

Grounding equipment must include either a wrist strap or a foot strap at a grounded workstation.

- When seated, wear a wrist strap connected to a grounded system. Wrist straps are flexible straps with a minimum of one megohm  $\pm 10\%$  resistance in the ground cords. To provide proper ground, wear a strap snugly against the skin at all times. On grounded mats with banana-plug connectors, use alligator clips to connect a wrist strap.
- When standing, use foot straps and a grounded floor mat. Foot straps (heel, toe, or boot straps) can be used at standing workstations and are compatible with most types of shoes or boots. On conductive floors or dissipative floor mats, use foot straps on both feet with a minimum of one megohm resistance between the operator and ground. To be effective, the conductive strips must be worn in contact with the skin.

Other grounding equipment recommended for use in preventing electrostatic damage includes

- Antistatic tape.
- Antistatic smocks, aprons, and sleeve protectors.
- Conductive bins and other assembly or soldering aids.
- Nonconductive foam.
- Conductive tabletop workstations with ground cords of one megohm resistance.
- Static-dissipative tables or floor mats with hard ties to the ground.
- Field service kits.
- Static awareness labels.
- Material-handling packages.
- Nonconductive plastic bags, tubes, or boxes.
- Metal tote boxes.
- Electrostatic voltage levels and protective materials.

Table 4-1 shows how humidity affects the electrostatic voltage levels generated by different activities.

---

**Table 4-1**  
**Typical Electrostatic Voltage Levels**

Event	Relative Humidity		
	10%	40%	55%
Walking across carpet	35,000 V	15,000 V	7,500 V
Walking across vinyl floor	12,000 V	5,000 V	3,000 V
Motions of bench worker	6,000 V	800 V	400 V
Removing DIPS from plastic tube	2,000 V	700 V	400 V
Removing DIPS from vinyl tray	11,500 V	4,000 V	2,000 V
Removing DIPS from Styrofoam	14,500 V	5,000 V	3,500 V
Removing bubble pack from PCB	26,500 V	20,000 V	7,000 V
Packing PCBs in foam-lined box	21,000 V	11,000 V	5,000 V



A product can be degraded by as little as 700 V.

---

Table 4-2 lists the shielding protection provided by antistatic bags and floor mats.

---

**Table 4-2**  
**Static-Shielding Materials**

Material	Use	Voltage Protection Level
Antistatic plastic	Bags	1,500 V
Carbon-loaded plastic	Floor mats	7,500 V
Metallized laminate	Floor mats	5,000 V

---

# 5

---

## Removal and Replacement Procedures

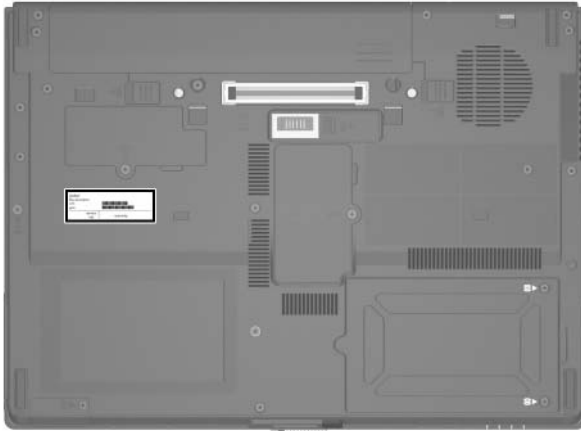
This chapter provides removal and replacement procedures.

There are as many as 81 screws, in 14 different sizes, that must be removed, replaced, or loosened when servicing the computer. Make special note of each screw size and location during removal and replacement.

Refer to [Appendix A, “Screw Listing”](#) for detailed information on screw sizes, locations, and usage.

## 5.1 Serial Number

Report the computer serial number to HP when requesting information or ordering spare parts. The serial number is located on the bottom of the computer.




*Serial Number Location*

## 5.2 Disassembly Sequence Chart

Use the chart below to determine the section number to be referenced when removing computer components.

**Disassembly Sequence Chart**

Section	Description	# of Screws Removed
5.3	<a href="#">Preparing the Computer for Disassembly</a>	
	Battery	0
5.4	<a href="#">Hard Drive</a>	2 loosened to remove the hard drive cover 1 loosened to remove the hard drive 4 to disassemble the hard drive
5.5	<a href="#">Computer Feet</a>	0
5.6	<a href="#">Bluetooth Module</a>	1 loosened
5.7	<a href="#">External Memory Module</a>	1 loosened to remove the memory module compartment cover
5.8	<a href="#">Mini Card WLAN Module</a>	1 loosened to remove the Mini Card module compartment cover 2 removed to remove the Mini Card WLAN module
	 To prevent an unresponsive system and the display of a warning message, install only a Mini Card device authorized for use in your computer by the governmental agency that regulates wireless devices in your country or region. If you install a device and then receive a warning message, remove the device to restore computer functionality. Then contact technical support by selecting <b>Start &gt; Help and Support &gt; Contact support..</b>	
5.9	<a href="#">MultiBay II Device</a>	1

**Disassembly Sequence Chart (Continued)**

<b>Section</b>	<b>Description</b>	<b># of Screws Removed</b>
5.10	Keyboard	3
5.11	RTC Battery	0
5.12	Internal Memory Module	0
5.13	Modem Module	2
5.14	Mini Card WWAN Module	2
5.15	Switch Cover	6
5.16	Power Button Board	2
5.17	Fan Assembly	1
5.18	Heat Sink	6 loosened
5.19	Processor	1 loosened
5.20	Display Assembly	7
	Display bezel	4
	Display hinges	4
	Display panel	6
	Display inverter	0
	Wireless antenna transceivers	2
5.21	Top Cover	12
5.22	PC Card/Digital Media Board	3
5.23	Speaker	0
5.24	Microphone	0
5.25	System Board	6
5.26	MultiBay II Eject Assembly	1



## **5.3 Preparing the Computer for Disassembly**

Before you begin any removal or installation procedures:

1. Shut down the computer. If you are unsure whether the computer is off or in hibernation, turn the computer on, and then shut it down through the operating system.
2. Disconnect all external devices connected to the computer.
3. Disconnect the power cord.

---

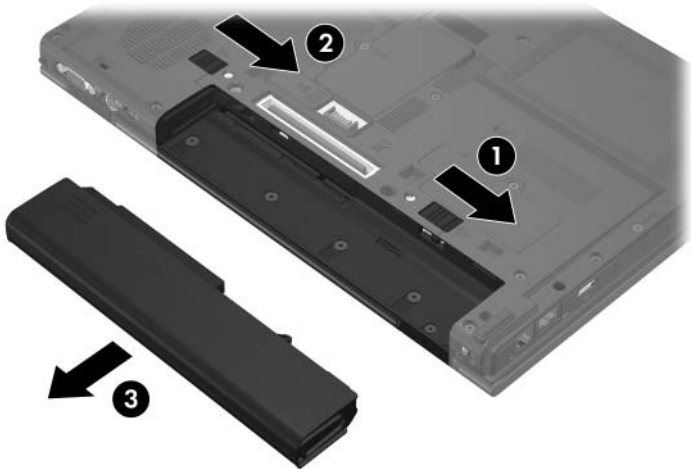
### Battery Spare Part Number Information

---

8-cell, 5.1-AH	418867-001
4-cell, 2.5-AH	418871-001

---

4. Remove the battery by following these steps:
  - a. Turn the computer upside down with the rear panel toward you.
  - b. Slide the battery release latch on the right **1** and then the battery release latch on the left **2** to release the battery.
  - c. Slide the battery **3** straight back and remove it.



#### *Removing the Battery*

Reverse the above procedure to install the battery.

## 5.4 Hard Drive

---

### Hard Drive Spare Part Number Information

---

7200 rpm		5400 rpm	
100 GB	431125-001	120 GB	440880-001
80 GB	431124-001	100 GB	418863-001
60 GB	418861-001	80 GB	418862-001
		60 GB	418859-001
		40 GB	418858-001

---

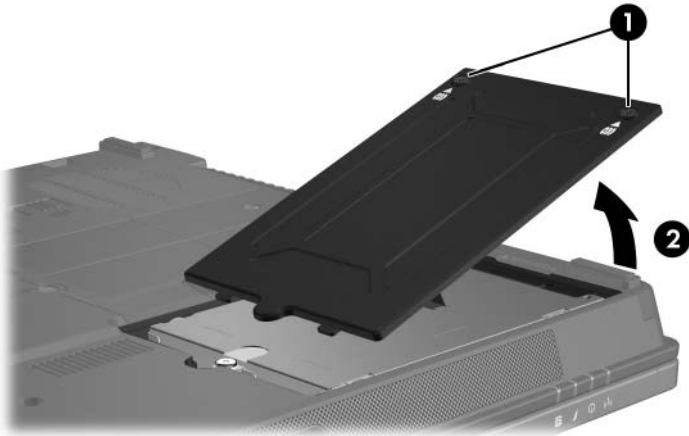
1. Prepare the computer for disassembly (refer to [Section 5.3](#)).
2. Position the computer with the front toward you.

3. Loosen the two Phillips PM2.0×5.0 screws ❶ that secure the hard drive cover to the computer.
4. Lift the right side of the hard drive cover ❷ and swing it up and to the left.
5. Remove the hard drive cover.



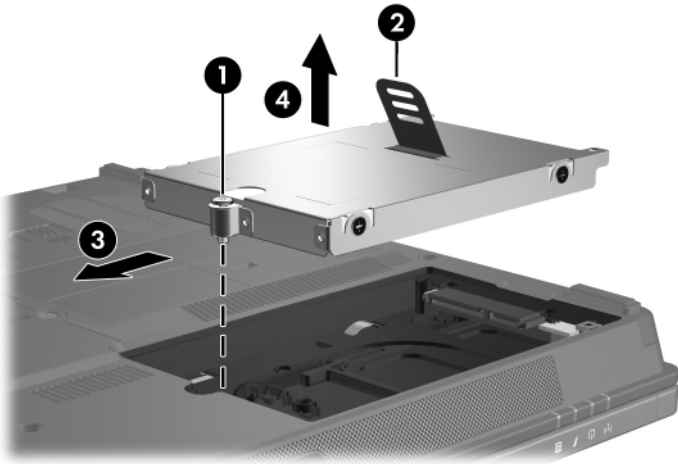
The hard drive cover is included in the Plastics Kit, spare part number 418877-001.

---



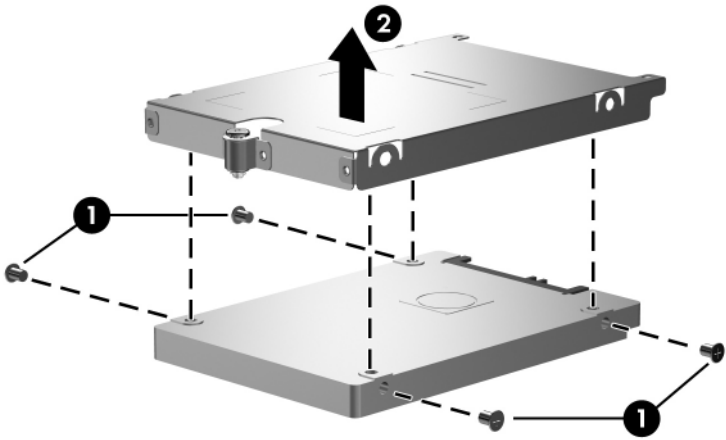
*Removing the Hard Drive Cover*

6. Loosen the Phillips PM2.5×13.0 spring-loaded hard drive retention screw ❶.
7. Grasp the mylar tab ❷ on the hard drive and slide the hard drive ❸ to the left to disconnect it from the system board.
8. Remove the hard drive ❹ from the hard drive bay.



*Removing the Hard Drive*

9. Remove the four Phillips PM3.0×3.0 hard drive frame screws ❶ from each side of the hard drive.
10. Lift the frame ❷ straight up to remove it from the hard drive.

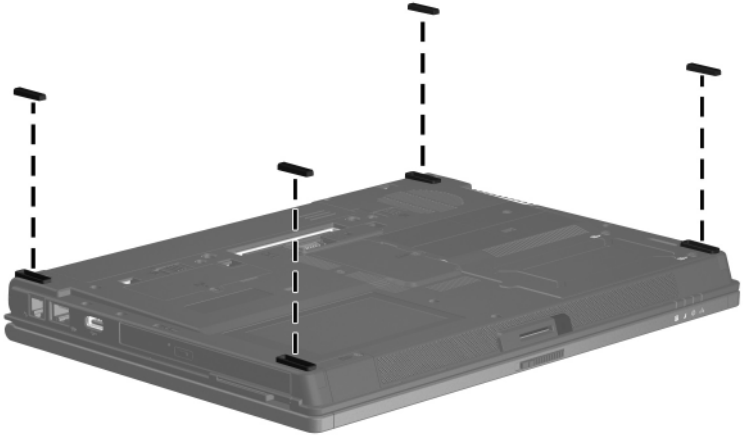


#### *Removing the Hard Drive Frame*

Reverse the above procedure to reassemble and install the hard drive.

## 5.5 Computer Feet

The computer feet are adhesive-backed rubber pads. The feet are included in the Plastics Kit, spare part number 418877-001.



*Replacing the Computer Feet*

## 5.6 Bluetooth Module

---

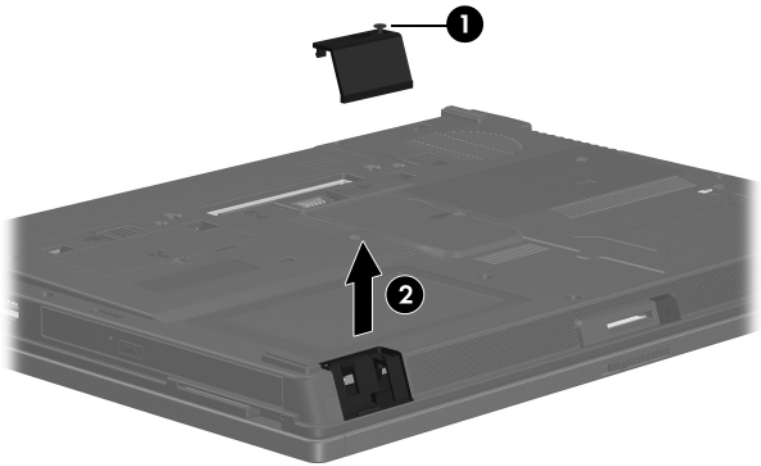
### Bluetooth Module Spare Part Number Information

---

Bluetooth module (includes Bluetooth module cable)	409993-001
--	------------

---

1. Prepare the computer for disassembly (refer to [Section 5.3](#)).
2. Loosen the Phillips PM2.0x5.0 screw ❶ that secures the Bluetooth module cover to the computer.
3. Remove the Bluetooth module cover ❷.



*Removing the Bluetooth Module Cover*

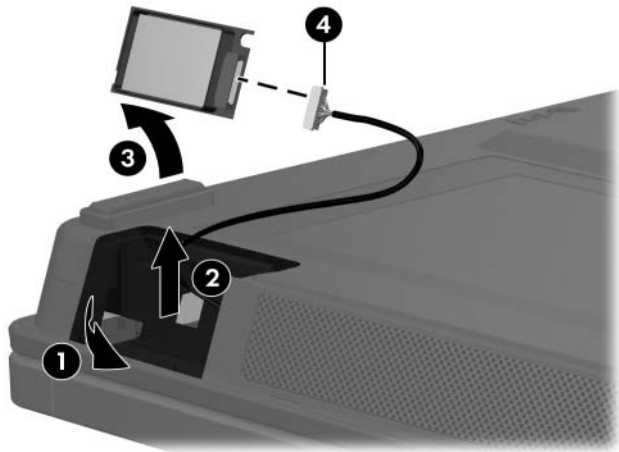


4. Slide the Bluetooth module ❶ to the right until the left side of the module is clear of the left side of the clip in the base enclosure.
5. Swing the left side of the Bluetooth module ❷ out of the base enclosure.
6. Slide the Bluetooth module ❸ to the left until it is removed from the base enclosure.
7. Disconnect the Bluetooth module cable ❹ from the Bluetooth module.
8. Remove the Bluetooth module.



The Bluetooth module cable is included with the Bluetooth module spare part kit and is also available in the Cable Kit, spare part number 418876-001.

---



### *Removing the Bluetooth Module*

Reverse the above procedure to install a Bluetooth module.

## 5.7 External Memory Module

---

### Memory Module Spare Part Number Information

---

PC2-5300		PC2-4200	
2048 MB	418857-001	2048 MB	418853-001
1024 MB	418856-001	1024 MB	418852-001
512 MB	418855-001	512 MB	418851-001
256 MB	418854-001	256 MB	418850-001

---

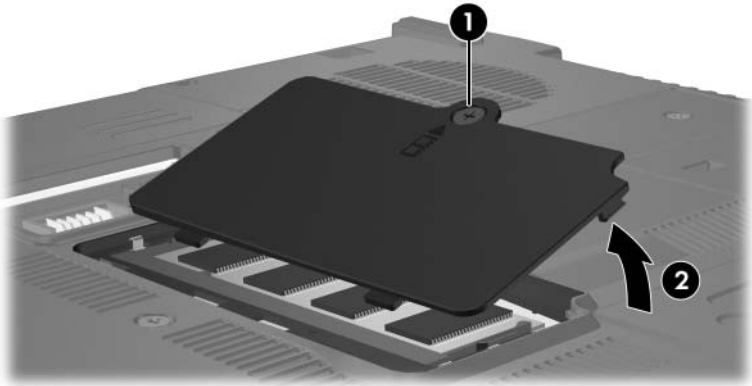
1. Prepare the computer for disassembly (refer to [Section 5.3](#)).
2. Position the computer with the front toward you.

3. Loosen the Phillips PM2.0×5.0 screw **1** that secures the memory module compartment cover to the computer.
4. Lift the right edge of the cover **2** and swing it up and to the left.
5. Remove the memory module compartment cover.



The memory module compartment cover is included in the Plastics Kit, spare part number 418877-001.

---



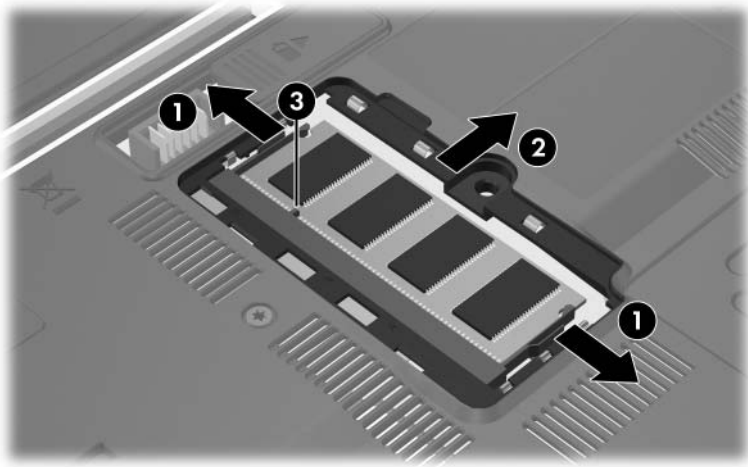
*Removing the Memory Module Compartment Cover*

6. Spread the retaining tabs **1** on each side of the memory module socket to release the memory module. (The edge of the module opposite the socket rises away from the computer.)
7. Slide the module **2** away from the socket at an angle.
8. Remove the memory module.



Memory modules are designed with a notch **3** to prevent incorrect installation into the memory module socket.

---



### *Removing the Memory Module*

Reverse the above procedure to install a memory module.

## 5.8 Mini Card WLAN Module

### Mini Card WLAN Module Spare Part Number Information

802.11b/g HS WLAN module for use in North America				407107-001
802.11b/g HS WLAN module for use in the countries or regions listed below. These countries or regions are categorized as the rest of the world (ROW).				407107-002
China	Honduras	Qatar	Uruguay	
Ecuador	Pakistan	South Korea	Venezuela	
Haiti	Peru			
802.11b/g HS WLAN module for use in Japan				407107-291
802.11b/g LJ WLAN module for use in North America				407108-001
802.11b/g LJ WLAN module for use in the ROW countries or regions listed below:				407108-002
China	Honduras	Qatar	Uruguay	
Ecuador	Pakistan	South Korea	Venezuela	
Haiti	Peru			
802.11b/g LJ WLAN module for use in Japan				407108-291
802.11a/b/g GL WLAN module for use in the countries or regions listed below. These countries or regions are categorized as most of the world 1 (MOW1).				407576-001
Antigua & Barbuda	Chile	Panama	Paraguay	
Argentina	Dominican Republic	India	Saudi Arabia	
Australia		Indonesia	Taiwan	
Bahamas	Guam	Malaysia	The United States	
Barbados	Guatemala	Mexico		
Brunei	Hong Kong	New Zealand	Vietnam	
Canada				

**Mini Card WLAN Module**

**Spare Part Number Information (Continued)**

802.11a/b/g GL WLAN module for use in the countries or regions listed below. These countries or regions are categorized as most of the world 2 (MOW2).

407576-002

Aruba	Estonia	Poland	Norway
Austria	Finland	Portugal	Oman
Azerbaijan	France	Romania	Slovenia
Bahrain	Georgia	Russia	South Africa
Belgium	Germany	Serbia and Montenegro	Spain
Bermuda	Greece	Singapore	Sri Lanka
Bulgaria	Hungary	Slovakia	Sweden
Cayman Islands	Iceland	Liechtenstein	Switzerland
Columbia	Ireland	Lithuania	Turkey
Croatia	Italy	Luxembourg	The United Kingdom
Cyprus	Latvia	Malta	Uzbekistan
Czech Republic	Lebanon	Monaco	
Denmark	The Philippines	The Netherlands	
Egypt			
El Salvador			

802.11a/b/g GL WLAN module for use in the ROW countries or regions listed below:

407576-003

China	Honduras	Qatar	Uruguay
Ecuador	Pakistan	South Korea	Venezuela
Haiti	Peru		

802.11a/b/g GL WLAN module for use in Japan

407576-291

802.11b/g GL WLAN module for use in Korea

407576-AD1

802.11b/g GL WLAN module for use in the following countries or regions:

409250-004

Israel	Kuwait	United Arab Emirates	Ukraine
Jordan	Thailand		

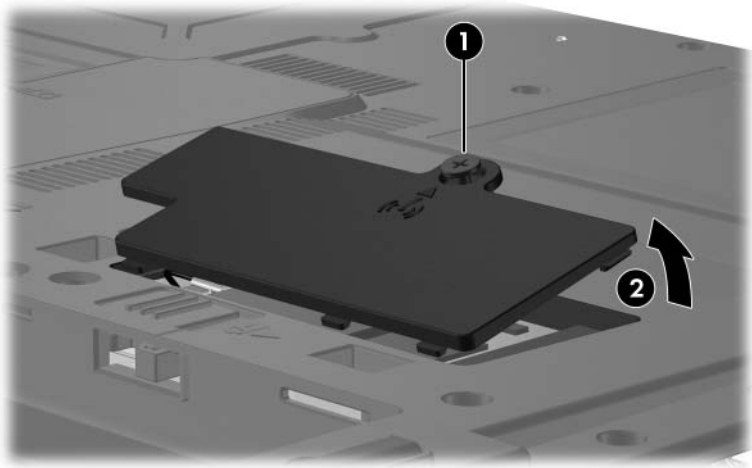
1. Prepare the computer for disassembly ([Section 5.3](#)).
2. Position the computer with the front toward you.
3. Loosen the Phillips PM2.0x5.0 screw **1** that secures the Mini Card module compartment cover to the computer.
4. Lift the front of the cover **2** and swing it up and toward the back of the computer.
5. Remove the Mini Card module compartment cover.



---

The Mini Card module compartment cover is included in the Plastics Kit, spare part number 418877-001.

---



*Removing the Mini Card Module Compartment Cover*

6. Make note of which wireless antenna cable is attached to which antenna clip on the Mini Card WLAN module before disconnecting the cables, then disconnect the auxiliary and main wireless antenna cables ❶ from the Mini Card WLAN module.

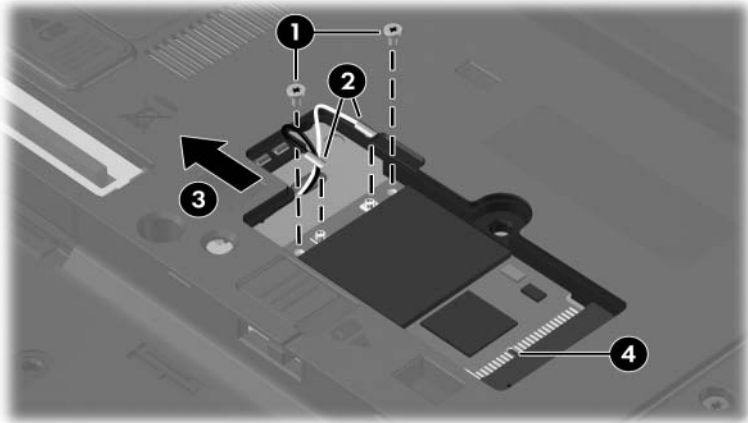


The wireless antenna cables are available in the Wireless Antenna Kit, spare part number 418899-001.

7. Remove the two Phillips PM2.0×3.0 screws ❷ that secure the Mini Card WLAN module to the computer. (The edge of the module opposite the socket rises away from the computer.)
8. Remove the Mini Card WLAN module ❸ by pulling the module away from the socket at an degree angle.



Mini Card modules are designed with a notch ❹ to prevent incorrect installation.



#### *Removing a Mini Card WLAN Module*

Reverse the above procedure to install a Mini Card WLAN module.



## 5.9 MultiBay II Device

---

### MultiBay II Device Spare Part Number Information

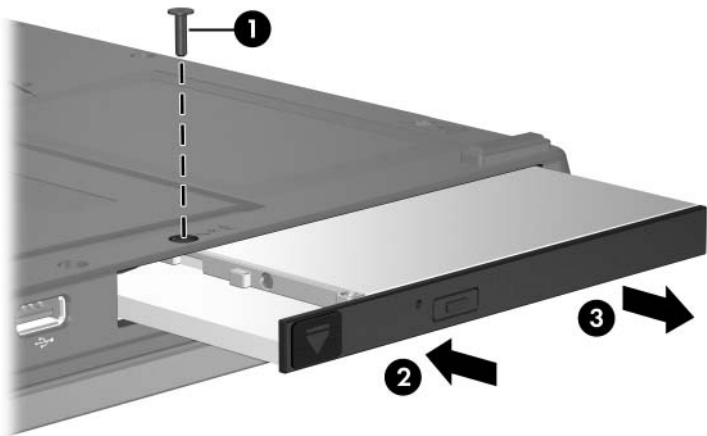
---

DVD±RW and CD-RW Double-Layer Combo Drive	418866-001
DVD±RW and CD-RW Combo Drive	418865-001
DVD-ROM drive	418864-001

---

1. Prepare the computer for disassembly ([Section 5.3](#)).
2. Position the computer with the left side toward you.

3. Remove the Phillips PM2.5×5.0 screw **1** that secures the MultiBay II device to the computer.
4. Push in on the right side of the MultiBay II device **2**. (The MultiBay II device partially protrudes from the MultiBay II.)
5. Slide the MultiBay II device **3** out of the computer.



#### *Removing the MultiBay II Device*

Reverse the above procedure to install an MultiBay II device.

## 5.10 Keyboard

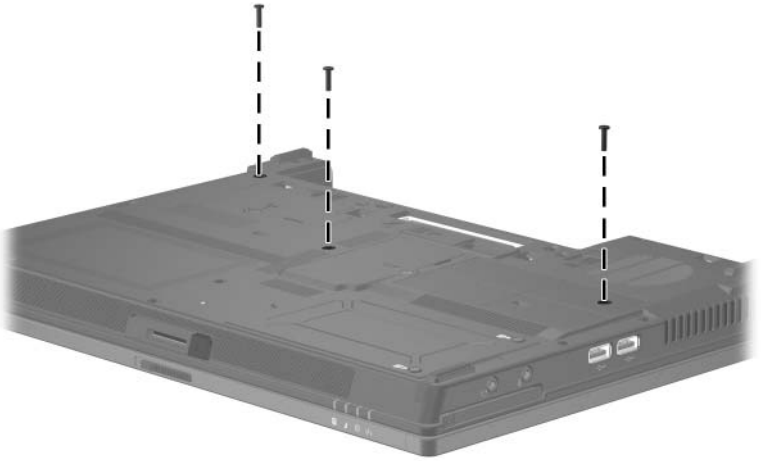
### Keyboard Spare Part Number Information

For use in:

Belgium	418910-A41	Latin America	418910-161
Brazil	418910-201	Norway	418910-091
The Czech Republic	418910-221	Portugal	418910-131
Denmark	418910-081	Russia	418910-251
France	418910-051	Saudi Arabia	418910-171
French Canada	418910-121	Slovakia	418910-231
Germany	418910-041	Slovenia	418910-BA1
Greece	418910-151	Spain	418910-071
Hungary	418910-211	Sweden/Finland	418910-101
Iceland	418910-DD1	Switzerland	418910-111
Internationally	418910-021	Taiwan	418910-AB1
Israel	418910-BB1	Thailand	418910-281
Italy	418910-061	Turkey	418910-141
Japan	418910-291	The United Kingdom	418910-031
Korea	418910-AD1	The United States	418910-001

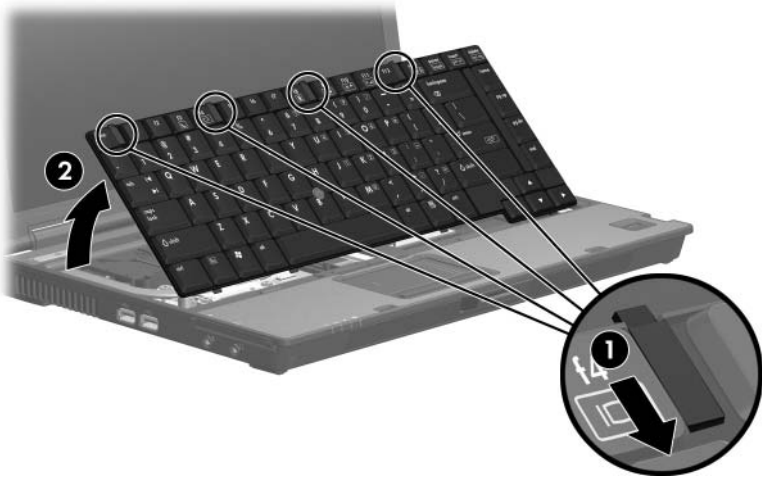
1. Prepare the computer for disassembly ([Section 5.3](#)).
2. Position the computer with the front toward you.

3. Remove the three Torx8 T8M2.5×11.0 screws that secure the keyboard to the computer.



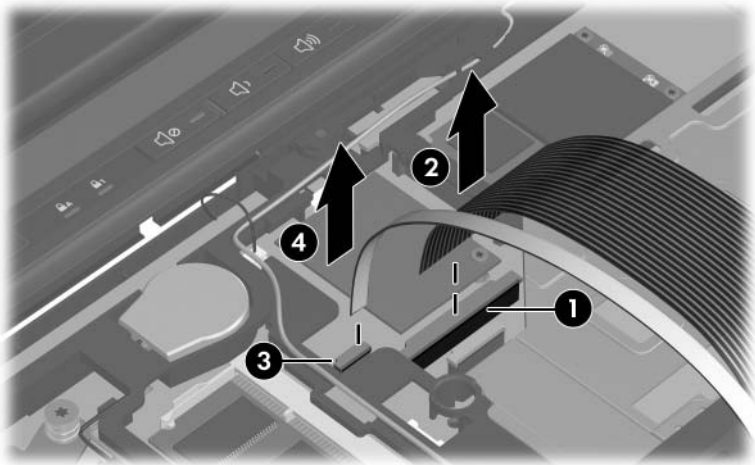
*Removing the Keyboard Screws*

4. Turn the computer display-side up with the front toward you.
5. Open the computer as far as possible.
6. Slide the four release tabs **1** on the rear edge of the keyboard forward.
7. Lift the rear edge of the keyboard **2** and swing it up toward you until it rests on the palm rest.



*Releasing the Keyboard*

8. Release the zero insertion force (ZIF) connector **1** to which the keyboard cable is attached and disconnect the keyboard cable **2**.
9. Release the ZIF connector **3** to which the pointing stick cable is attached and disconnect the pointing stick cable **4**.
10. Remove the keyboard.



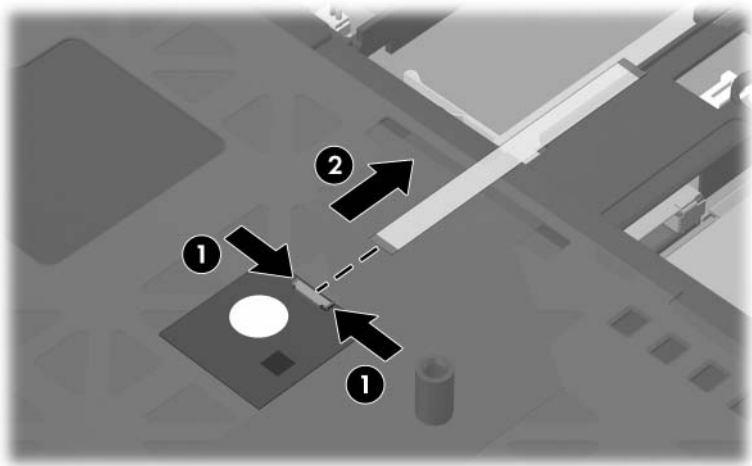
*Disconnecting the Keyboard and Pointing Stick Cables*

11. If it is necessary to replace the pointing stick cable, turn the keyboard upside down with the space bar toward you.
12. Release the ZIF connector **1** to which the pointing stick cable is attached and disconnect the pointing stick cable **2**.



The pointing stick cable is included with all keyboard spare part kits and is also available in the Cable Kit, spare part number 418876-001.

---



#### *Removing the Pointing Stick Cable*

Reverse the above procedure to install the keyboard.

## 5.11 RTC Battery

---



The RTC battery is included in the Plastics Kit, spare part number 418877-001.

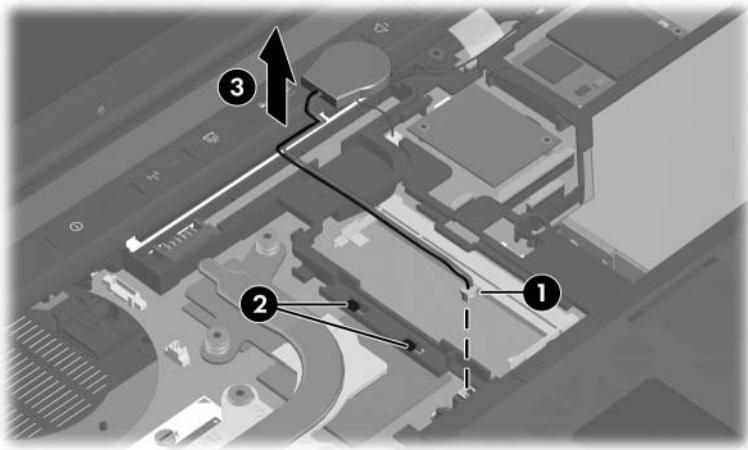
---

1. Prepare the computer for disassembly ([Section 5.3](#)).
  2. Release the keyboard ([Section 5.10](#)).
  3. Disconnect the RTC battery cable **1** from the system board and remove the cable from the clips **2** in the top cover.
  4. Remove the RTC battery **3** from the clip in the base enclosure.
- 



The RTC battery is secured to the top cover by two-sided tape.

---



### *Removing the RTC Battery*

Reverse the above procedure to install an RTC battery.



## 5.12 Internal Memory Module

---

### Memory Module Spare Part Number Information

---

PC2-5300		PC2-4200	
2048 MB	418857-001	2048 MB	418853-001
1024 MB	418856-001	1024 MB	418852-001
512 MB	418855-001	512 MB	418851-001
256 MB	418854-001	256 MB	418850-001

---

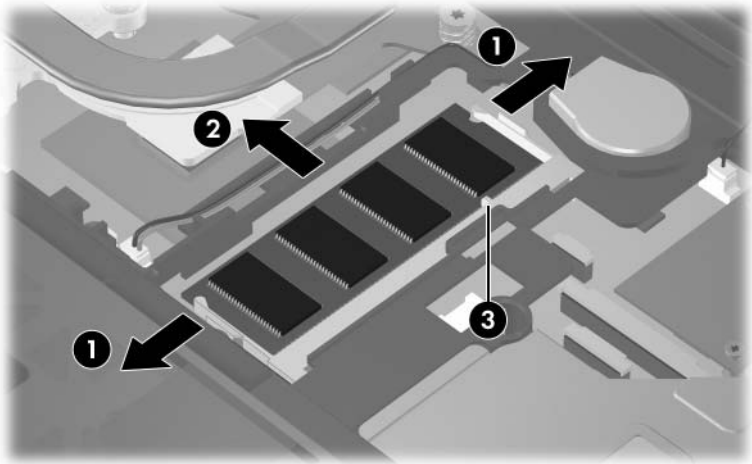
1. Prepare the computer for disassembly ([Section 5.3](#)).
2. Release the keyboard ([Section 5.10](#)).

3. Spread the retaining tabs **1** on each side of the memory module socket to release the memory module. (The edge of the module opposite the socket rises away from the computer.)
4. Slide the module **2** away from the socket at an angle.
5. Remove the memory module.



Memory modules are designed with a notch **3** to prevent incorrect installation into the memory module socket.

---



### *Removing the Memory Module*

Reverse the above procedure to install a memory module.

## 5.13 Modem Module

---

### Modem Module Spare Part Number Information

---

Modem module	418849-001
--------------	------------

---

1. Prepare the computer for disassembly ([Section 5.3](#)).
2. Release the keyboard ([Section 5.10](#)).

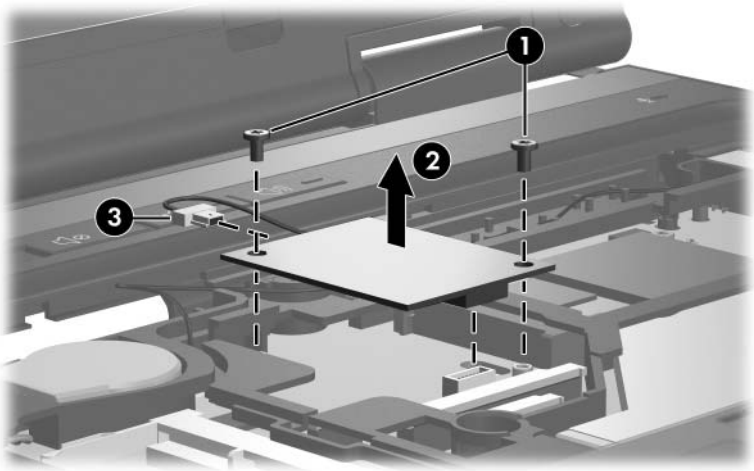
3. Remove the two Phillips PM2.0×6.0 screws ❶ that secure the modem module to the system board.
4. Lift the right side of the modem module ❷ to disconnect it from the system board.
5. Disconnect the modem module cable ❸ from the modem module.



The modem module cable is included in the modem module spare part kit and is also available in the Cable Kit, spare part number 418876-001.

---

6. Remove the modem module.



### *Removing the Modem Module*

Reverse the above procedure to install the modem module.

## 5.14 Mini Card WWAN Module

---

### Mini Card WWAN Module

#### Spare Part Number Information

---

For use with Verizon networks	418860-001
For use with Vodafone networks	435098-001
For use with Cingular networks	436668-001

---

1. Prepare the computer for disassembly ([Section 5.3](#)).
2. Release the keyboard ([Section 5.10](#)).

3. Make note of which wireless antenna cable is attached to which antenna clip on the Mini Card WWAN module before disconnecting the cables, then disconnect the auxiliary and main wireless antenna cables **1** from the Mini Card WWAN module.

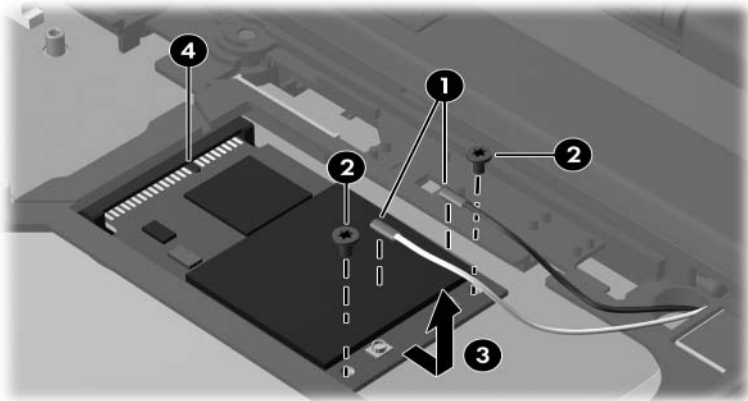


The wireless antenna cables are available in the Wireless Antenna Kit, spare part number 418899-001.

4. Remove the two Phillips PM2.0×3.0 screws **2** that secure the Mini Card WWAN module to the computer. (The edge of the module opposite the socket rises away from the computer.)
5. Remove the Mini Card WWAN module **3** by pulling the module away from the socket at an angle.



Mini Card modules are designed with a notch **4** to prevent incorrect installation.



### Removing a Mini Card WWAN Module

Reverse the above procedure to install a Mini Card WWAN module.

## 5.15 Switch Cover

---

### Switch Cover Spare Part Number Information

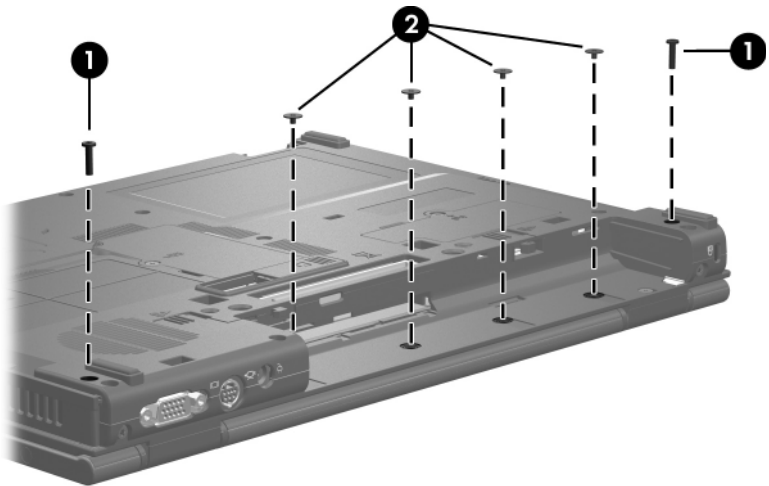
---

Switch cover

418900-001

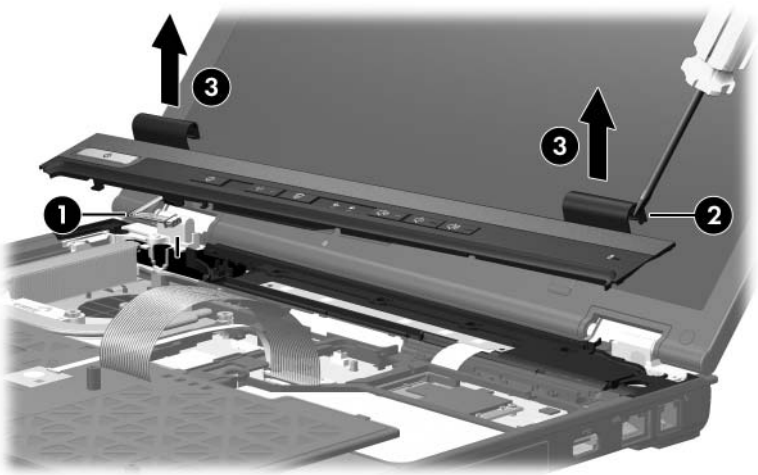
---

1. Prepare the computer for disassembly ([Section 5.3](#)).
2. Remove the keyboard ([Section 5.10](#)).
3. Turn the computer upside down with the rear panel toward you.
4. Remove the two T8M2.5×11.0 screws **1** and the four Phillips PM2.0×2.0 screws **2** that secure the switch cover to the computer.



*Removing the Switch Cover Screws*

5. Turn the computer display-side up with front toward you.
6. Open the computer as far as possible.
7. Disconnect the power button board cable ❶ from the system board.
8. Insert a thin flat-bladed tool under the hinge cover sections ❷ of the switch cover and lift up until the switch cover ❸ disengages from the computer.
9. Remove the switch cover.



### *Removing the Switch Cover*

Reverse the above procedure to install the switch cover.

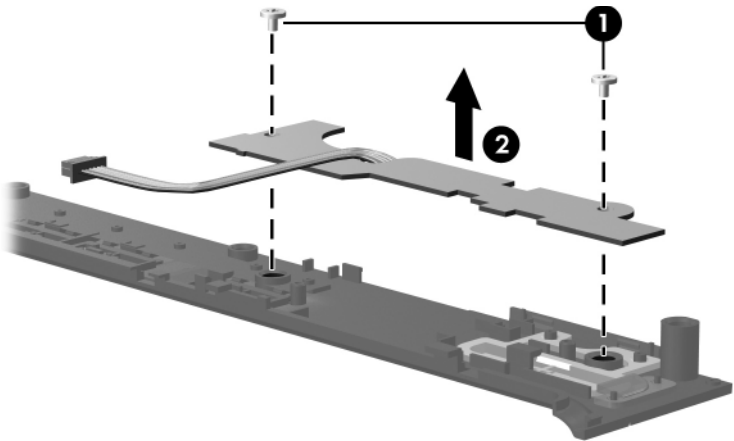


## 5.16 Power Button Board

### Power Button Board Spare Part Number Information

Power button board (includes power button board cable)	418908-001
--	------------

1. Prepare the computer for disassembly ([Section 5.3](#)).
2. Remove the keyboard ([Section 5.10](#)).
3. Remove the switch cover ([Section 5.15](#)).
4. Remove the two Phillips PM2.5×4.0 screws **1** that secure the power button board to the switch cover.
5. Remove the power button board **2** from the switch cover.



#### *Removing the Power Button Board*

Reverse the above procedure to install the power button board.

## 5.17 Fan Assembly

---

### Fan Assembly Spare Part Number Information

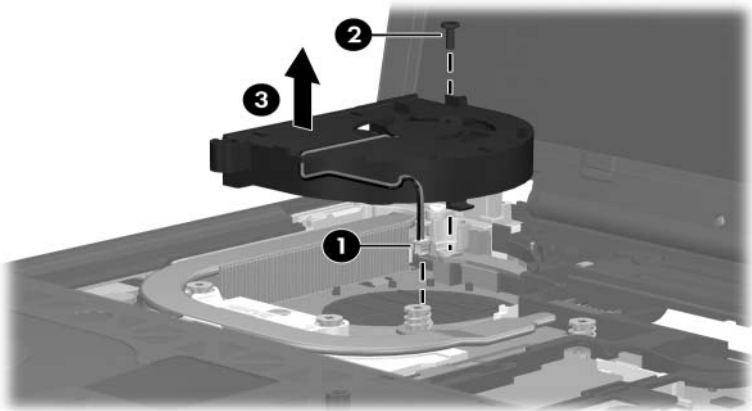
---

Fan assembly

418886-001

---

1. Prepare the computer for disassembly ([Section 5.3](#)).
2. Remove the keyboard ([Section 5.10](#)).
3. Remove the switch cover ([Section 5.15](#)).
4. Disconnect the fan cable ❶ from the system board.
5. Remove the Torx8 T8M2.5×7.0 screw ❷ that secures the fan assembly to the base enclosure.
6. Remove the fan assembly ❸ from the computer.



#### *Removing the Fan Assembly*

Reverse the above procedure to install the fan assembly.

## 5.18 Heat Sink

---

### Heat Sink Spare Part Number Information

---



All heat sink spare part kits include thermal grease, alcohol pads, and thermal pads.

---

For use only with discrete system boards (spare part numbers 418904-001 and 430495-001)	418887-001
For use only with discrete system boards	438875-001
For use only with the UMA system board (spare part number 418931-001)	418930-001
For use only with the UMA system board	438876-001

---

1. Prepare the computer for disassembly ([Section 5.3](#)), and then remove the following components:
  - a. Keyboard ([Section 5.10](#))
  - b. Switch cover ([Section 5.15](#))
  - c. Fan assembly ([Section 5.17](#))
  - d. Heat sink ([Section 5.18](#))

2. Noting the required screw removal sequence, loosen the four Phillips PM2.0×10.0 screws ❶ and the two Phillips PM2.0×13.0 screws ❷ that secure the heat sink to the system board.



The heat sink has numbers stamped on it that indicate the required screw removal sequence. You must remove screws in the order indicated to avoid over torque and binding problems.

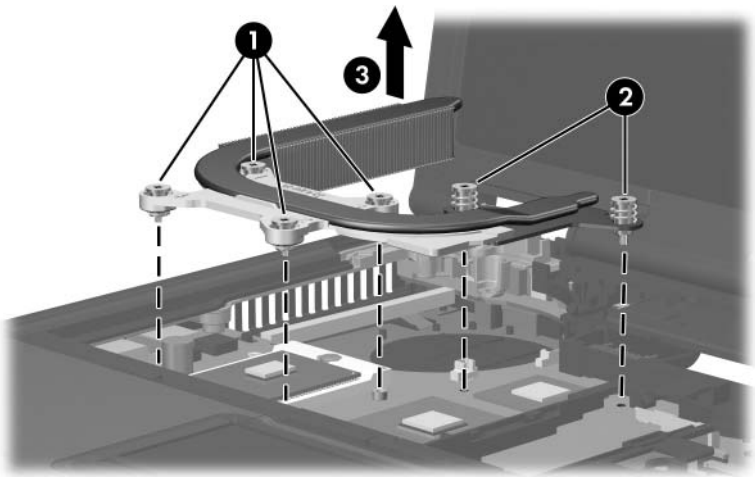
---

3. Remove the heat sink ❸ from the base enclosure.



Due to the adhesive quality of the thermal paste located between the heat sink and processor, it may be necessary to move the heat sink from side to side to detach the heat sink from the processor.

---

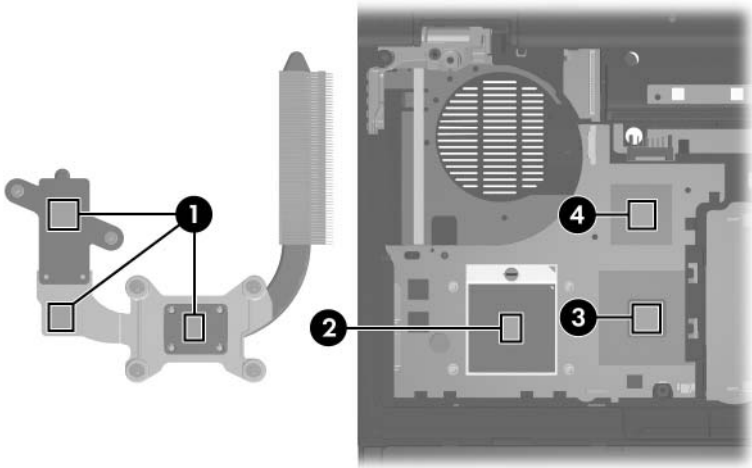


*Removing the Heat Sink*



The thermal paste and thermal pads should be thoroughly cleaned from the surfaces of the heat sink **1**, processor **2**, Chip1 **3**, and Chip2 **4** each time the heat sink is removed. Thermal paste and thermal pads are included with all heat sink, processor, and system board spare part kits.

---



#### *Thermal Paste and Thermal Pad Locations*

Reverse the above procedure to install the heat sink.

## 5.19 Processor

---

### Processor Spare Part Number Information

---

Intel Core Duo T7600 (2.33-GHz) processor	435860-001
Intel Core Duo T7400 (2.16-GHz) processor	435861-001
Intel Core Duo T7200 (2.0-GHz) processor	435862-001
Intel Core Duo T5600 (1.83-GHz) processor	435863-001
Intel Core Duo T5500 (1.66-GHz) processor	435864-001
Intel Core Duo T2300E (1.66-GHz) processor	436012-001
Intel Core Duo T2600 (2.17-GHz) processor	418874-001
Intel Core Duo T2500 (2.00-GHz) processor	418870-001
Intel Core Duo T2400 (1.83-GHz) processor	418869-001
Intel Core Duo T2300 (1.67-GHz) processor	418868-001
Intel Core Solo T1300 (1.66-GHz) processor	418885-001
Intel Celeron M 440 (1.80-GHz) processor	444966-001
Intel Celeron M 430 (1.73-GHz) processor	444965-001

---

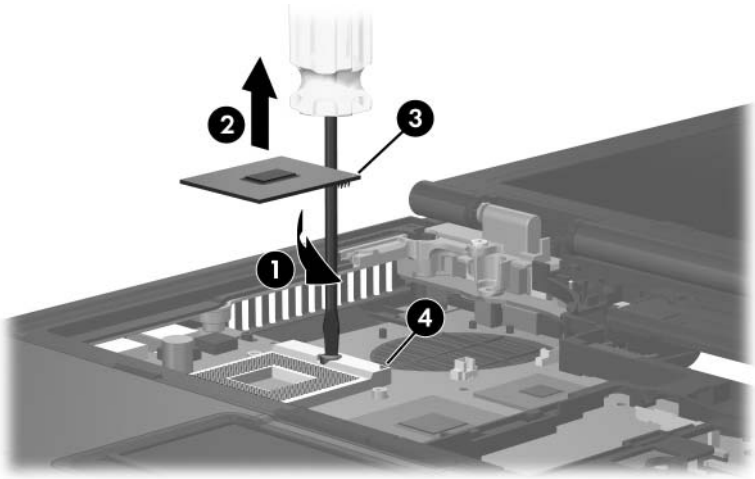
1. Prepare the computer for disassembly ([Section 5.3](#)), and then remove the following components:
  - a. Keyboard ([Section 5.10](#))
  - b. Switch cover ([Section 5.15](#))
  - c. Fan assembly ([Section 5.17](#))
  - d. Heat sink ([Section 5.18](#))

2. Use a flat-bladed screwdriver to turn the processor locking screw ❶ one-half turn counterclockwise until you hear a click.
3. Lift the processor ❷ straight up and remove it.



The gold triangle ❸ on the processor should be aligned with the triangle icon ❹ on the processor socket when you install the processor.

---



### Removing the Processor

Reverse the above procedure to install the processor.

## 5.20 Display Assembly

---

### Display Assembly Spare Part Number Information

---

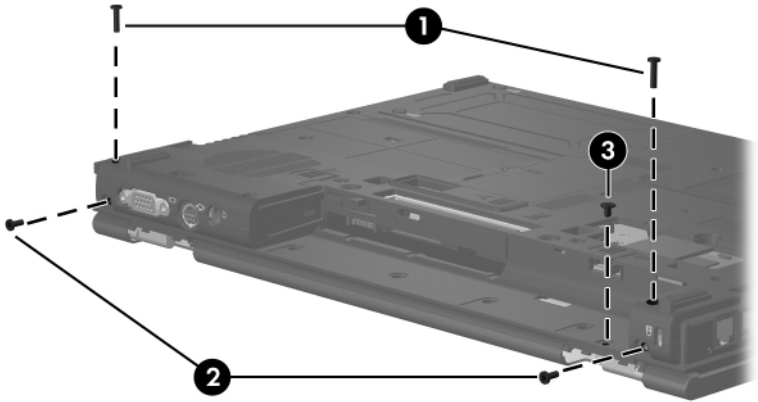
14.1-inch, WXGA+	418907-001
14.1-inch, WXGA	418896-001

---

1. Prepare the computer for disassembly ([Section 5.3](#)).
2. Disconnect the wireless antenna cables from the Mini Card WLAN module ([Section 5.8](#)).
3. Remove the keyboard ([Section 5.10](#)).
4. Disconnect the wireless antenna cables from the Mini Card WWAN module ([Section 5.14](#)).
5. Remove the switch cover ([Section 5.15](#)).

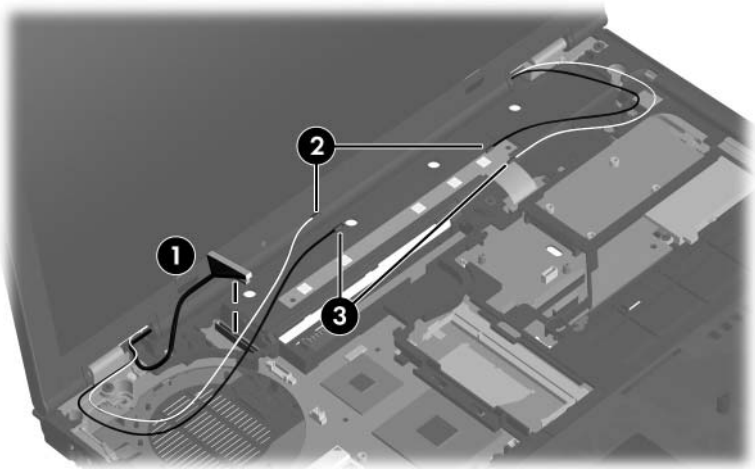


6. Close the computer and turn it upside down with the rear panel toward you.
7. Remove the following screws:
  - ❶ Two Torx8 T8M2.5×11.0 screws from the computer bottom
  - ❷ Two Torx8 T8M2.5×7.0 screws from the computer rear panel
  - ❸ One Phillips PM2.5×5.0 screw from the computer battery bay



*Removing the Display Assembly Screws*

8. Turn the computer display-side up with the front toward you.
9. Open the computer as far as it will open.
10. Disconnect the display cable ❶ from the system board.
11. Remove the wireless antenna cables ❷ and ❸ from the Mini Card compartment and the top cover clips.



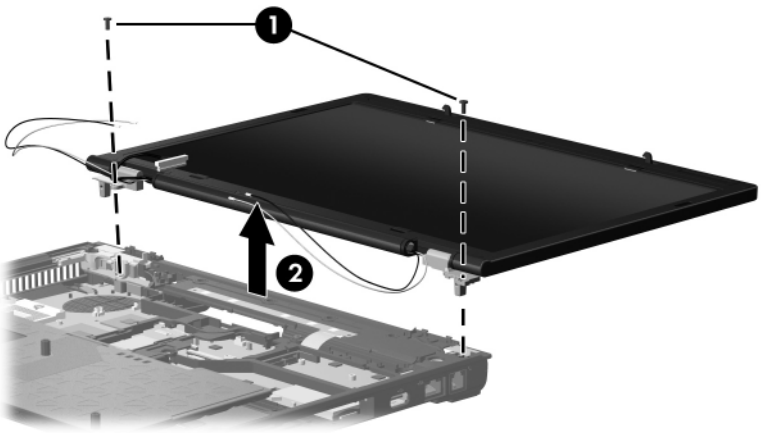
*Disconnecting the Display Cable and Removing the Wireless Antenna Cables*



**CAUTION:** Support the display assembly when removing the following screws. Failure to support the display assembly can result in damage to the display assembly and other computer components.

---

12. Remove the two Torx8 T8M2.5×7.0 screws ❶ that secure the display assembly to the computer.
13. Lift the display assembly ❷ straight up and remove it.



*Removing the Display Assembly*

---

**Display Assembly Components**  
**Spare Part Number Information**

---

<b>Description</b>	<b>Spare Part Number</b>
Display bezel	418889-001
Display panels	
14.1-inch, WXGA+	418891-001
14.1-inch, WXGA	418890-001
Display Hinge Kit	418902-001
Display Inverter	418888-001
Wireless Antenna Kit	418899-001
Display enclosure	418895-001
Display Bracket Kit (includes left display bracket)	418894-001
Display Cable Kit (for use with 14.1-inch, WXGA+ display panel)	418898-001
Display Cable Kit (for use with 14.1-inch, WXGA display panel)	418897-001
Display Screw Kit	418892-001
Display Rubber Kit (includes all display bezel rubber and mylar screw covers)	418893-001

---

14. Remove the following:

① and ② four rubber screw covers

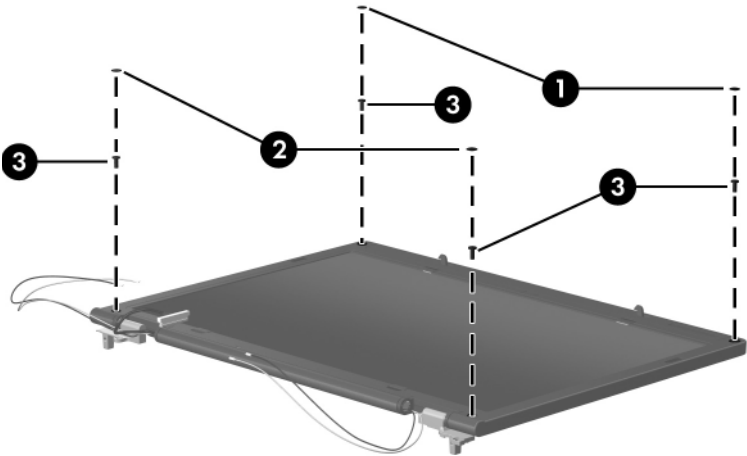


The two rubber screw covers ① on the top edge of the display bezel are different from the two rubber screw covers ② on the bottom edge of the display bezel.

Both types of rubber screw covers are included in the Display Rubber Kit, spare part number 418893-001.

---

③ Four Phillips PM2.5×6.0 screws



*Removing the Display Bezel Screws*

---

## Display Assembly Components

### Spare Part Number Information

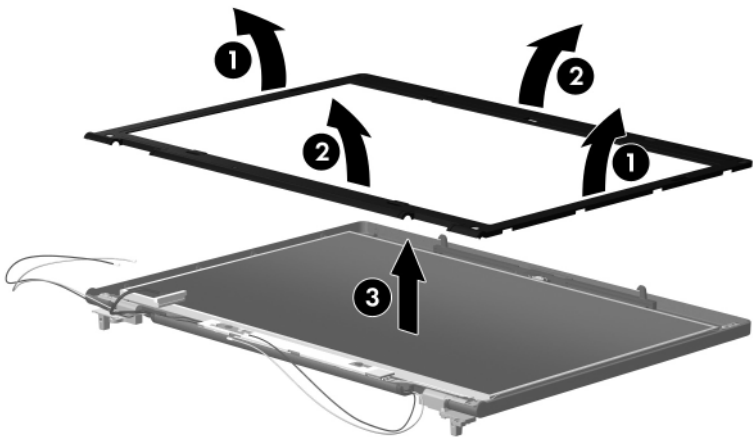
---

Description	Spare Part Number
Display bezel	418889-001
Display enclosure	418895-001

---

15. Flex the insides edges of the left and right sides **1** and the top and bottom sides **2** of the display bezel until the bezel disengages from the display enclosure.

16. Remove the display bezel **3**.



*Removing the Display Bezel*

---

## Display Assembly Components

### Spare Part Number Information

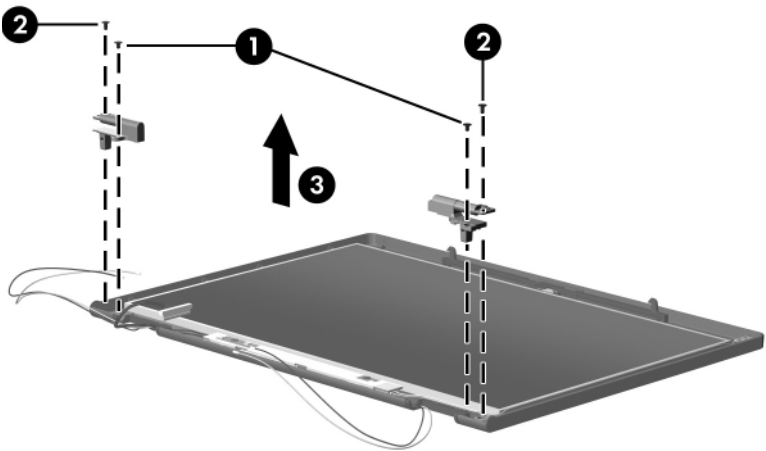
---

Description	Spare Part Number
Display Hinge Kit	418902-001

---

17. If it is necessary to replace the display hinges, remove the Phillips PM2.5×4.0 screw ❶ and the Phillips PM2.5×6.0 screw ❷ that secure each hinge to the display enclosure.

18. Remove the display hinges ❸.

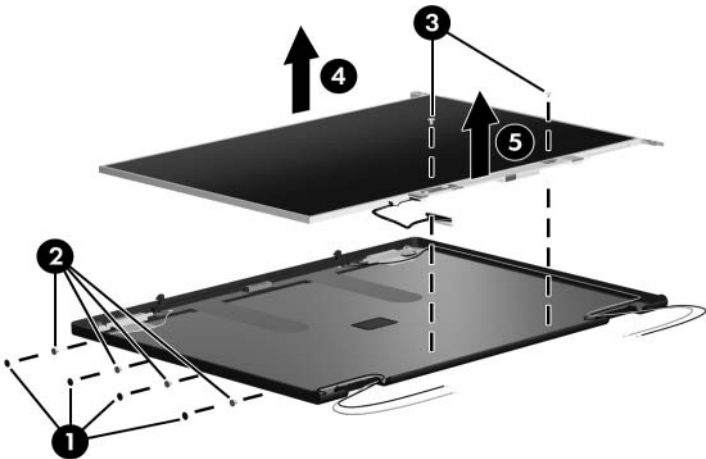


*Removing the Display Hinges*

## Display Assembly Components Spare Part Number Information

Description	Spare Part Number
Display panels	
14.1-inch, WXGA+	418891-001
14.1-inch, WXGA	418890-001

19. Remove the four mylar screw covers **1** and the four Phillips PM2.0×3.0 screws **2** that secure the display panel to the display enclosure.
20. Remove the two Phillips PM2.5×6.0 screws **3** that secure the display inverter to the display enclosure.
21. Remove the display panel **4** and display inverter **5** from the display enclosure.



*Removing the Display Panel*



---

## Display Assembly Components

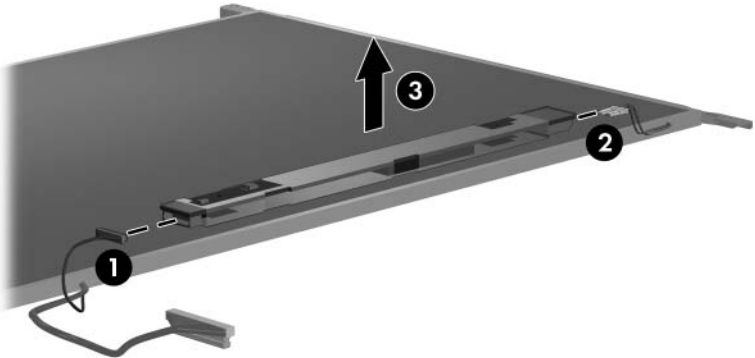
### Spare Part Number Information

---

Description	Spare Part Number
Display Inverter	418888-001

---

22. Disconnect the display **1** and backlight cables **2** from the inverter.
23. Remove the inverter **3**.



*Removing the Display Inverter*

---

## Display Assembly Components

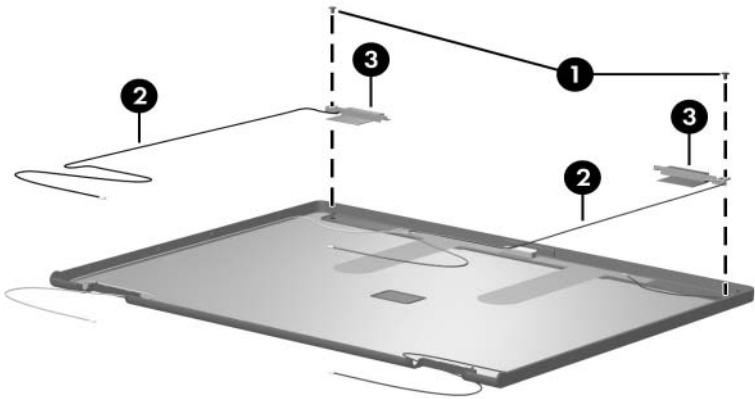
### Spare Part Number Information

---

Description	Spare Part Number
Wireless Antenna Kit	418899-001

---

24. If it is necessary to replace the wireless antenna transceivers and cables, remove the two Torx T8M2.5×4.0 screws ❶ that secure the left and right transceivers to the display enclosure.
25. Remove the wireless antenna cables ❷ from the clips in the display enclosure.
26. Detach the wireless antenna transceivers ❸ from the display enclosure.
27. Remove the wireless antenna transceivers and cables.



#### *Removing the Wireless Antenna Transceivers and Cables*

Reverse the above procedure to reassemble and install the display assembly

## 5.21 Top Cover

---

### Top Cover Spare Part Number Information

---

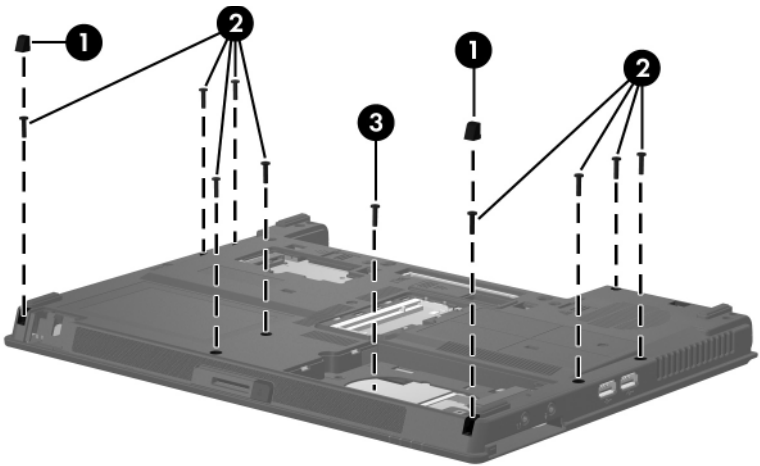
Top cover (includes TouchPad, smart card reader, and fingerprint reader board)	418882-001
Top cover (includes TouchPad and smart card reader)	438169-001

---

1. Prepare the computer for disassembly ([Section 5.3](#)), and then remove the following components:
  - a. Keyboard ([Section 5.10](#))
  - b. Switch cover ([Section 5.15](#))
  - c. Fan assembly ([Section 5.17](#))
  - d. Heat sink ([Section 5.18](#))
  - e. Display assembly ([Section 5.20](#))
2. Turn the computer upside down with the front toward you.

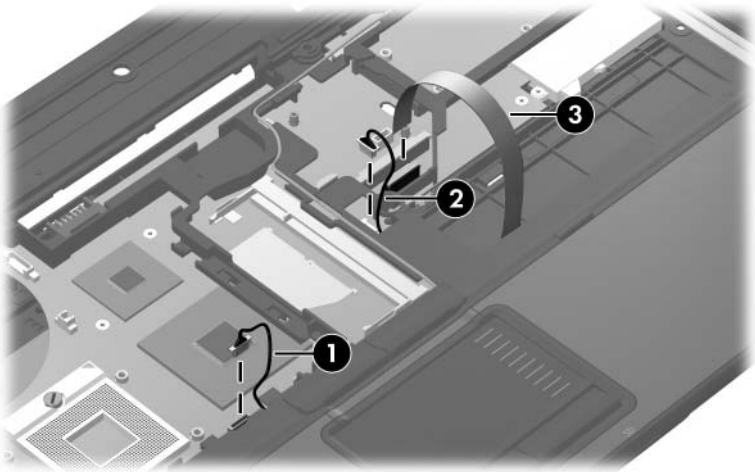
3. Remove the following:

- ❶ Two rubber screw covers
- ❷ Nine Torx8 T8M2.5×11.0 screws that secure the top cover to the base enclosure
- ❸ One Phillips PM2.5×5.0 screw that secures the top cover to the base enclosure



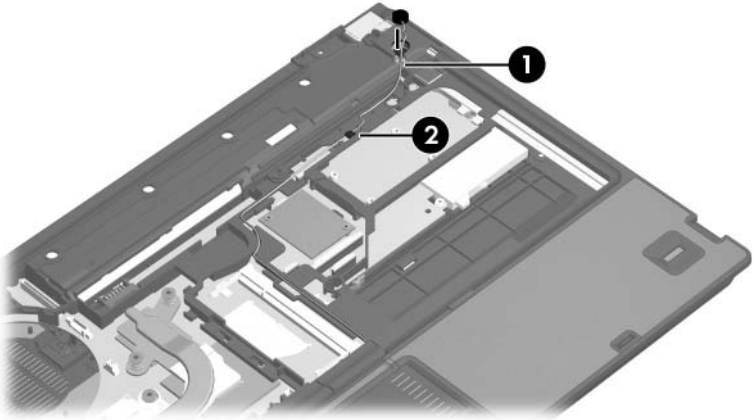
*Removing the Top Cover Screws, Part 1*

4. Turn the computer right-side up with the front toward you.
5. Disconnect the following cables from the system board:
  - ❶ TouchPad cable
  - ❷ Fingerprint reader board cable
  - ❸ Smart card assembly cable



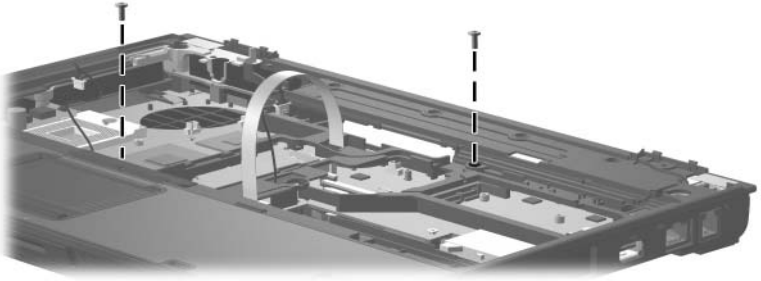
*Disconnecting the Top Cover Cables*

6. Remove the microphone ❶ from the clip in the top cover and the cable ❷ from the routing clips in the top cover.



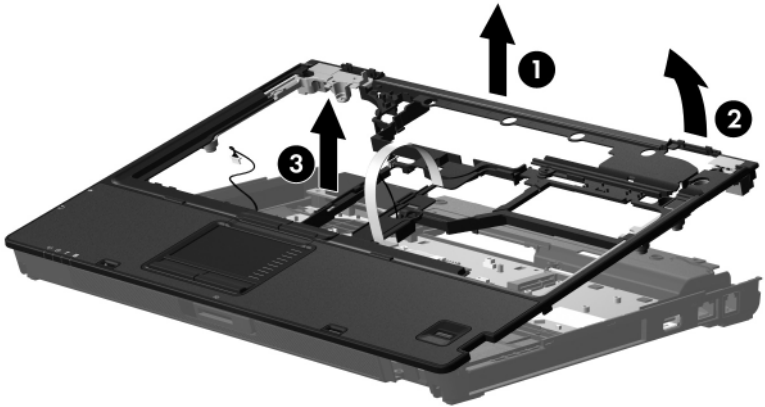
*Releasing the Microphone*

7. Remove the two Torx8 T8M2.5×7.0 screws that secure the top cover to the base enclosure.



*Removing the Top Cover Screws, Part 2*

8. Swing the rear edge of the top cover **1** up and forward **2** until the left and right sides disengage from the base enclosure.
9. Remove the top cover **3**.



### *Removing the Top Cover*

Reverse the above procedure to install the top cover.



## 5.22 PC Card/Digital Media Board

---

### PC Card/Digital Media Board Spare Part Number Information

---

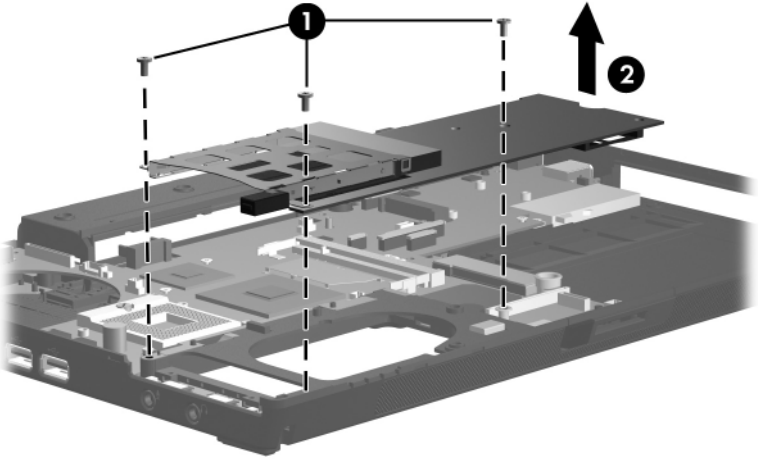
PC Card/digital media board

418884-001

---

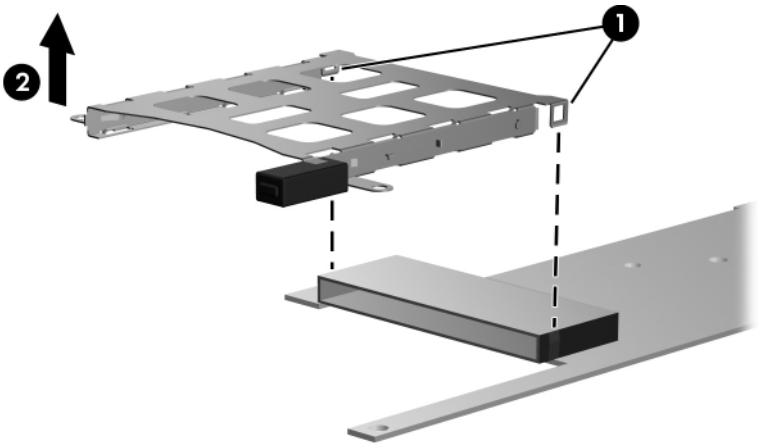
1. Prepare the computer for disassembly ([Section 5.3](#)), and then remove the following components:
  - a. Keyboard ([Section 5.10](#))
  - b. Switch cover ([Section 5.15](#))
  - c. Fan assembly ([Section 5.17](#))
  - d. Heat sink ([Section 5.18](#))
  - e. Display assembly ([Section 5.20](#))
  - f. Top cover ([Section 5.21](#))

2. Remove the three Phillips PM2.5×5.0 screws ❶ that secure the PC Card/digital media board to the system board.
3. Lift up on the right side of the PC Card/digital media board ❷ to disconnect the board from the system board.



*Removing the PC Card/Digital Media Board*

4. If it is necessary to remove the PC Card assembly from the digital media board, disengage the hooks **1** on the PC Card assembly from the tabs on the digital media board.
5. Remove the PC Card assembly **2** from the digital media board.



#### *Removing the PC Card Assembly*

Reverse the above procedure to reassemble and install the PC Card/digital media board.

## 5.23 Speaker

---

### Speaker Spare Part Number Information

---

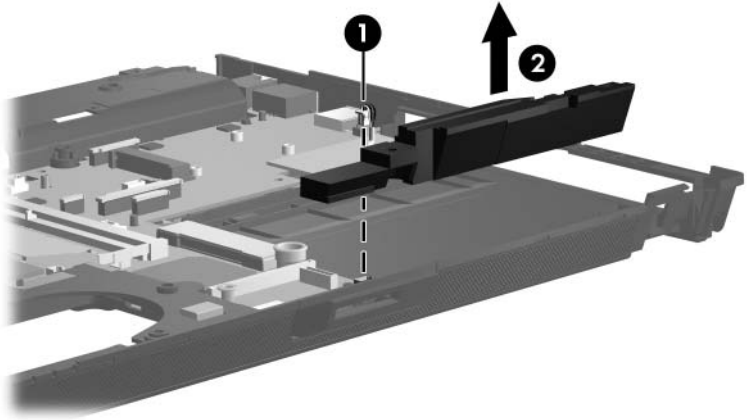
**Speaker**

418883-001

---

1. Prepare the computer for disassembly ([Section 5.3](#)), and then remove the following components:
  - a. Keyboard ([Section 5.10](#))
  - b. Switch cover ([Section 5.15](#))
  - c. Fan assembly ([Section 5.17](#))
  - d. Heat sink ([Section 5.18](#))
  - e. Display assembly ([Section 5.20](#))
  - f. Top cover ([Section 5.21](#))
  - g. PC Card/digital media board ([Section 5.22](#))

2. Disconnect the speaker cable **1** from the system board.
3. Remove the speaker **2** from the base enclosure.



*Removing the Speaker*

Reverse the above procedure to install the speaker.

## 5.24 Microphone

---

### Microphone Spare Part Number Information

---

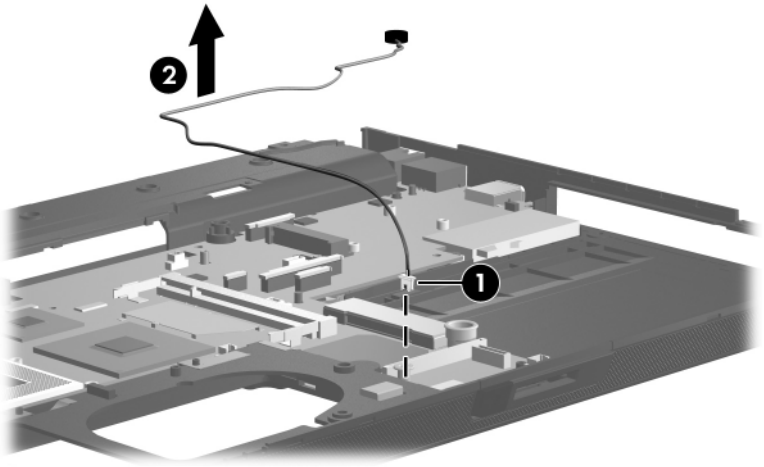
**Microphone**

418903-001

---

1. Prepare the computer for disassembly ([Section 5.3](#)), and then remove the following components:
  - a. Keyboard ([Section 5.10](#))
  - b. Switch cover ([Section 5.15](#))
  - c. Fan assembly ([Section 5.17](#))
  - d. Heat sink ([Section 5.18](#))
  - e. Display assembly ([Section 5.20](#))
  - f. Top cover ([Section 5.21](#))
  - g. PC Card/digital media board ([Section 5.22](#))

2. Disconnect the microphone cable ❶ from the system board.
3. Remove the microphone ❷ from the base enclosure.



*Removing the Microphone*

Reverse the above procedure to install the microphone.

## 5.25 System Board

---

### System Board Spare Part Number Information

---



All system board spare part kits include thermal grease, alcohol pads, and thermal pads.

---

128-MB discrete, for use only with heat sink with spare part number 418887-001	418904-001
64-MB discrete, for use only with heat sink with spare part number 418887-001	430495-001
UMA, for use only with heat sink with spare part number 418930-001	418931-001

---



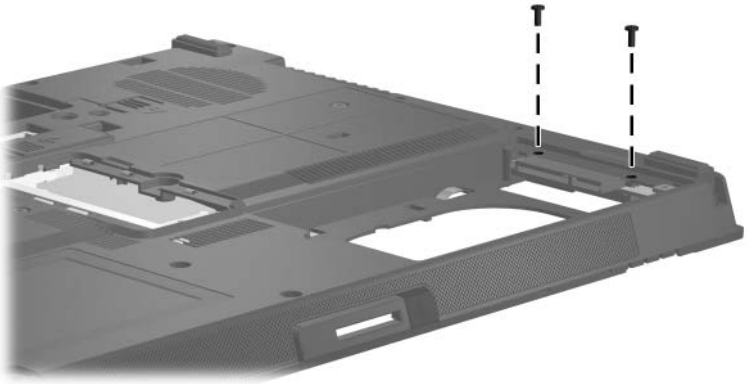
When replacing the system board, be sure that the following components are removed from the defective system board and installed on the replacement system board:

- Memory modules ([Section 5.7](#) and [Section 5.12](#))
  - Mini Card WLAN module ([Section 5.8](#))
  - RTC battery ([Section 5.11](#))
  - Modem module ([Section 5.13](#))
  - Mini Card WWAN module ([Section 5.14](#))
  - Processor ([Section 5.19](#))
-



1. Prepare the computer for disassembly ([Section 5.3](#)), and then remove the following components:
  - a. Hard drive ([Section 5.4](#))
  - b. Bluetooth board ([Section 5.6](#))
  - c. MultiBay II device ([Section 5.9](#))
  - d. Keyboard ([Section 5.10](#))
  - e. Switch cover ([Section 5.15](#))
  - f. Fan assembly ([Section 5.17](#))
  - g. Heat sink ([Section 5.18](#))
  - h. Display assembly ([Section 5.20](#))
  - i. Top cover ([Section 5.21](#))
  - j. PC Card/digital media board ([Section 5.22](#))
  - k. Speaker ([Section 5.23](#))
  - l. Microphone ([Section 5.24](#))

2. Turn the computer upside down with the front toward you.
3. Remove the two Phillips PM2.0×6.0 screws on each side of the hard drive connector that secure the system board to the base enclosure.



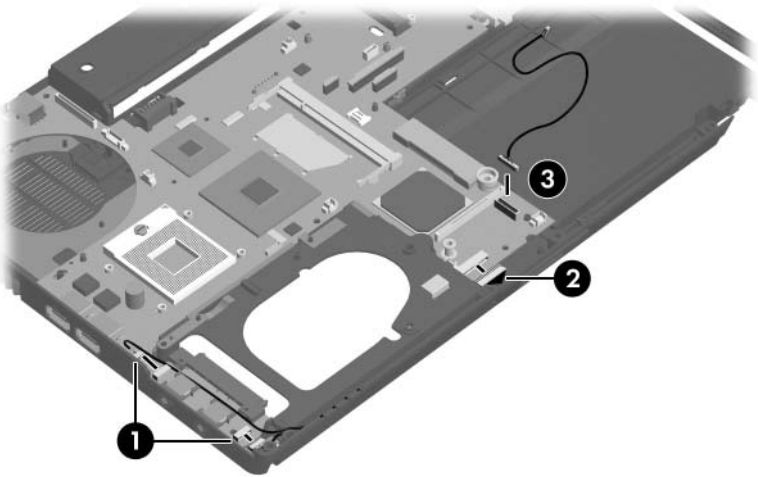
*Removing the System Board Screws, Part 1*

4. Turn the computer right-side up with the front toward you.
5. Remove the audio board cables **1** from the space between the system board and the base enclosure.
6. Disconnect the audio board cable **2** from the system board.
7. Disconnect the Bluetooth module cable **3** from the system board and remove the cable from the base enclosure.



The audio board and Bluetooth module cables are available in the Cable Kit, spare part number 418876-001.

---



*Disconnecting the System Board Cables, Part 1*

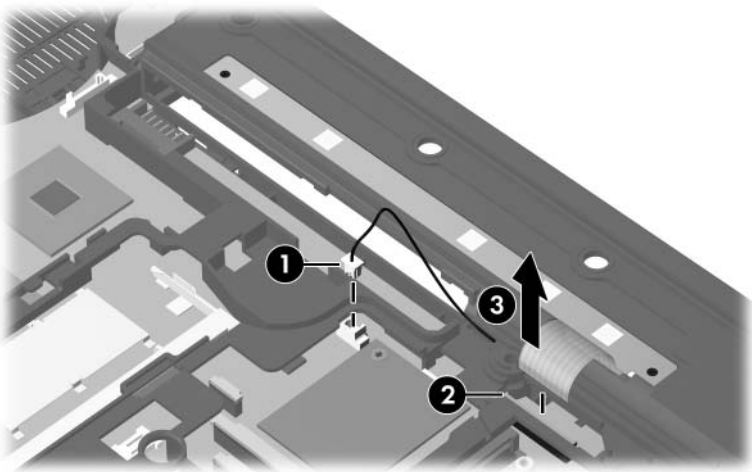
8. Disconnect the modem module cable ❶ from the system board.



The modem module cable is available in the Cable Kit, spare part number 418876-001.

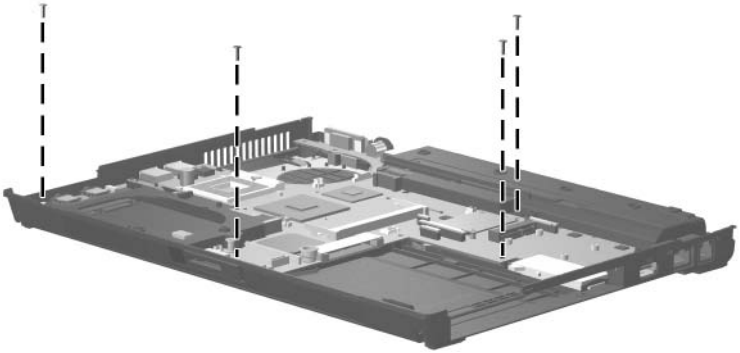
---

9. Release the ZIF connector ❷ to which the LED board cable is attached and disconnect the LED board cable ❸ from the system board.



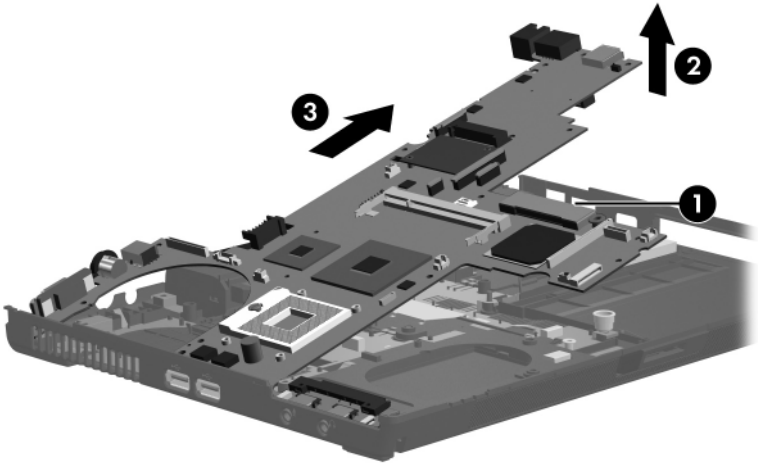
*Disconnecting the System Board Cables, Part 2*

10. Remove the four Phillips PM2.5×5.0 screws that secure the system board to the base enclosure.



*Removing the System Board Screws, Part 2*

11. Use the hard drive connector **1** to lift the right side of the system board **2** until it rests at an angle.
12. Slide the system board **3** away at an angle and remove it.



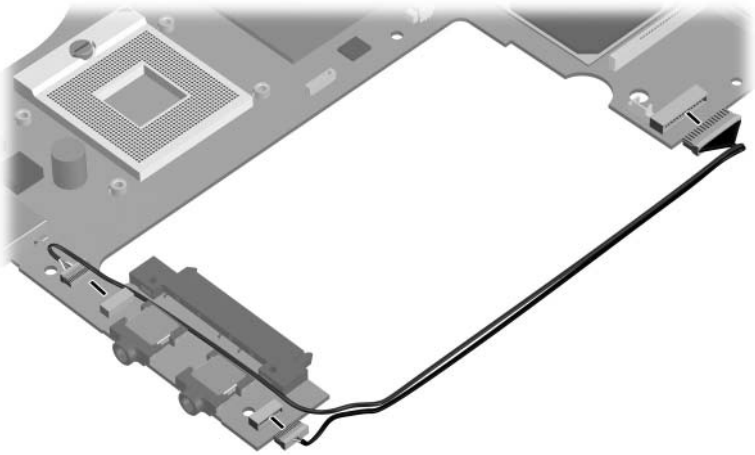
*Removing the System Board*

13. If it is necessary to replace the audio cable, disconnect the cable from the three connectors on the system board and remove the cable.



The audio cable is available in the Cable Kit, spare part number 418876-001.

---



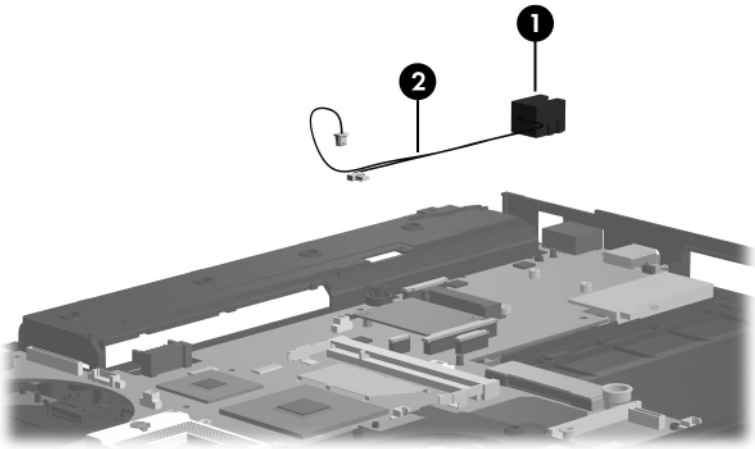
*Removing the Audio Cable*

14. If it is necessary to replace the modem connector and cable, remove the connector ❶ from the clip in the base enclosure and remove the cable ❷ from the routing channel in the base enclosure.



The modem cable is available in the Cable Kit, spare part number 418876-001.

---



#### *Removing the Modem Connector and Cable*

Reverse the above procedures to install the system board.



## 5.26 MultiBay II Eject Assembly

---

### MultiBay II Eject Assembly Spare Part Number Information

---

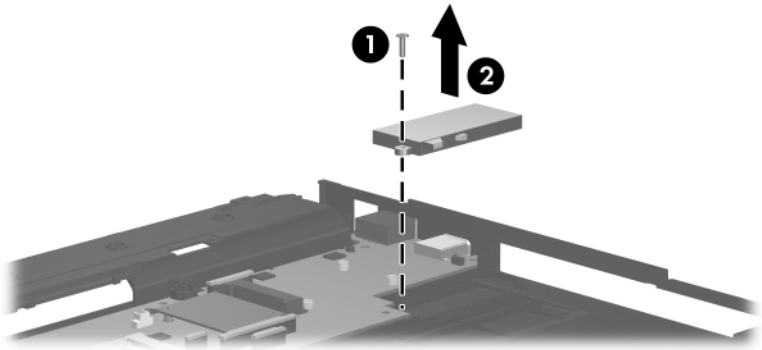
MultiBay II eject assembly

418905-001

---

1. Prepare the computer for disassembly ([Section 5.3](#)), and then remove the following components:
  - a. Hard drive ([Section 5.4](#))
  - b. Bluetooth board ([Section 5.6](#))
  - c. MultiBay II device ([Section 5.9](#))
  - d. Keyboard ([Section 5.10](#))
  - e. Switch cover ([Section 5.15](#))
  - f. Fan assembly ([Section 5.17](#))
  - g. Heat sink ([Section 5.18](#))
  - h. Display assembly ([Section 5.20](#))
  - i. Top cover ([Section 5.21](#))
  - j. PC Card/digital media board ([Section 5.22](#))
  - k. Speaker ([Section 5.23](#))
  - l. Microphone ([Section 5.24](#))
  - m. System board ([Section 5.25](#))

2. Remove the Phillips PM2.0×6.0 screw ❶ that secures the MultiBay II eject assembly to the base enclosure.
3. Remove the MultiBay II eject assembly ❷ from the base enclosure.



*Removing the MultiBay II Eject Assembly*

Reverse the above procedure to install the MultiBay II eject assembly.

# 6

## Specifications

This chapter provides physical and performance specifications.

**Table 6-1**  
**Computer**

<b>Dimensions</b>	<b>Metric</b>	<b>U.S.</b>
Height (front to back)	2.9 to 3.4 cm	1.1 to 1.3 in
Width	33.1 cm	13.0 in
Depth	23.9 cm	9.4 in
<b>Weight</b>	2.2 kg	4.9 lbs
<b>Input Power</b>		
Operating voltage	18.5 V dc @ 3.5 A – 65 W 19.0 V dc @ 4.74 A – 90 W	
Operating current	3.5 A or 4.74 A	
<b>Temperature</b>		
Operating (not writing to optical disc)	0°C to 35°C	32°F to 95°F
Operating (writing to optical disc)	5°C to 35°C	41°F to 95°F
Nonoperating	-20°C to 60°C	-4°F to 140°F

**Table 6-1**  
**Computer (Continued)**

<b>Relative humidity</b> (noncondensing)		
Operating	10% to 90%	10% to 90%
Nonoperating	5% to 95%	5% to 95%
<b>Maximum altitude</b> (unpressurized)		
Operating (14.7 to 10.1 psia)	-15 m to 3,048 m	-50 ft to 10,000 ft
Nonoperating (14.7 to 4.4 psia)	-15 m to 12,192 m	-50 ft to 40,000 ft
<b>Shock</b>		
Operating	125 g, 2 ms, half-sine	
Nonoperating	200 g, 2 ms, half-sine	
<b>Random Vibration</b>		
Operating	0.75 g zero-to-peak, 10 Hz to 500 Hz, 0.25 oct/min sweep rate	
Nonoperating	1.50 g zero-to-peak, 10 Hz to 500 Hz, 0.5 oct/min sweep rate	



Applicable product safety standards specify thermal limits for plastic surfaces. The computer operates well within this range of temperatures.

**Table 6-2**  
**14.1-inch, WXGA**

<b>Dimensions</b>		
Height	21.3 cm	8.4 in
Width	28.5 cm	11.2 in
Diagonal	35.8 cm	14.1 in
<b>Number of colors</b>		Up to 16.8 million
<b>Contrast ratio</b>		250:1
<b>Brightness</b>		180 nits typical
<b>Pixel resolution</b>		
Pitch	0.279 × 0.279 mm	
Format	1024 × 768	
Configuration	RGB vertical stripe	
<b>Backlight</b>		Edge lit
<b>Character display</b>		80 × 25
<b>Total power consumption</b>		4.0 W
<b>Viewing angle</b>		+/-40° horizontal, +120/-40° vertical typical

**Table 6-3**  
**Hard Drives**

	120-GB*	100-GB*	80-GB*
<b>Dimensions</b>			
Height	9.5 mm	9.5 mm	9.5 mm
Width	70 mm	70 mm	70 mm
Weight	99 g	99 g	99 g
<b>Interface type</b>			
	SATA	SATA	SATA
<b>Transfer rate</b>			
Synchronous (maximum)	150 MB/sec	150 MB/sec	100 MB/sec
Security	ATA security	ATA security	ATA security
<b>Seek times</b> (typical read, including setting)			
Single track	2 ms	1.5 ms	1 ms
Average	12 ms	10.5 ms	10 ms
Maximum	22 ms	22 ms	18 ms
<b>Logical blocks</b> <sup>†</sup>			
	234,441,648	195,371,568	156,301,488
<b>Disc rotational speed</b>			
	5400 rpm	7200 rpm	7200 rpm
<b>Operating temperature</b>			
	0°C to 60°C (32°F to 140°F)	5°C to 55°C (41°F to 131°F)	



Certain restrictions and exclusions apply. For details, consult technical support by selecting **Start > Help and Support > Contact support**.

\*1 GB = 1 billion bytes when referring to hard drive storage capacity. Actual accessible capacity is less.

<sup>†</sup>Actual drive specifications may differ slightly.

**Table 6-3**  
**Hard Drives**

	<b>100-GB*</b>	<b>80-GB*</b>	<b>60-GB*</b>	<b>40-GB*</b>
<b>Dimensions</b>				
Height	9.5 mm	9.5 mm	9.5 mm	9.5 mm
Width	70 mm	70 mm	70 mm	70 mm
Weight	99 g	99 g	99 g	99 g
<b>Interface type</b>	SATA	SATA	SATA	SATA
<b>Transfer rate</b>				
Synchronous (maximum)	100 MB/sec	100 MB/sec	100 MB/sec	100 MB/sec
Security	ATA security	ATA security	ATA security	ATA security
<b>Seek times</b> (typical read, including setting)				
Single track	3 ms	3 ms	3 ms	3 ms
Average	13 ms	13 ms	13 ms	13 ms
Maximum	24 ms	24 ms	24 ms	24 ms
<b>Logical blocks</b> <sup>†</sup>	195,363,650	156,301,488	117,210,240	78,140,160
<b>Disc rotational speed</b>	5400 rpm	5400 rpm	7200 and 5400 rpm	5400 rpm
<b>Operating temperature</b>	5°C to 55°C (41°F to 131°F)			



Certain restrictions and exclusions apply. For details, consult technical support by selecting **Start > Help and Support > Contact support**.

\*1 GB = 1 billion bytes when referring to hard drive storage capacity. Actual accessible capacity is less.

<sup>†</sup>Actual drive specifications may differ slightly.

**Table 6-4**  
**DVD±RW and CD-RW Combo Drive**

<b>Applicable disc</b>	<b>Read:</b>	<b>Write:</b>
	DVD-R, DVD-RW, DVD-ROM (DVD-5, DVD-9, DVD-10, DVD-18), CD-ROM (Mode 1 and 2) CD Digital Audio CD-XA ready (Mode 2, Form 1 and 2) CD-I ready (Mode 2, Form 1 and 2) CD-R, CD-RW Photo CD (single and multisession) CD-Bridge	CD-R and CD-RW DVD-R and DVD-RW
<b>Center hole diameter</b>	1.5 cm (0.59 in)	
<b>Disc diameter</b>		
Standard disc	12 cm (4.72 in)	
Mini disc	8 cm (3.15 in)	



**Table 6-4**  
**DVD±RW and CD-RW Combo Drive (Continued)**

<b>Disc thickness</b>	1.2 mm (0.047 in)	
<b>Track pitch</b>	0.74 $\mu$ m	
<b>Access time</b>	CD	DVD
Random	< 175 ms	< 230 ms
Full stroke	< 285 ms	< 335 ms
<b>Audio output level</b>	Audio-out, 0.7 Vrms	
<b>Cache buffer</b>	2 MB	
<b>Data transfer rate</b>		
CD-R (16X)	2,400 KB/s (150 KB/s at 1X CD rate)	
CD-RW (8X)	1,200 KB/s (150 KB/s at 1X CD rate)	
CD-ROM (24X)	3,600 KB/s (150 KB/s at 1X CD rate)	
DVD (8X)	10,800 KB/s (1,352 KB/s at 1X DVD rate)	
DVD-R (4X)	5,400 KB/s (1,352 KB/s at 1X DVD rate)	
DVD-RW (2X)	2,700 KB/s (1,352 KB/s at 1X DVD rate)	
Multiword DMA mode 2	16.6 MB/s	
<b>Startup time</b>	< 15 seconds	
<b>Stop time</b>	< 6 seconds	

**Table 6-5**  
**DVD-ROM Drive**

<b>Applicable disc</b>	DVD-ROM (DVD-5, DVD-9, DVD-10, DVD-18) CD-ROM (Mode 1 and 2) CD Digital Audio CD-XA ready (Mode 2, Form 1 and 2) CD-I ready (Mode 2, Form 1 and 2) CD-R CD-RW Photo CD (single and multisession) CD-Bridge	
<b>Center hole diameter</b>	1.5 cm (0.59 in)	
<b>Disc diameter</b>		
Standard disc	12 cm (4.72 in)	
Mini disc	8 cm (3.15 in)	
<b>Disc thickness</b>	1.2 mm (0.047 in)	
<b>Track pitch</b>	0.74 $\mu$ m	
<b>Access time</b>	CD	DVD
Random	< 100 ms	< 125 ms
Full stroke	< 175 ms	< 225 ms
<b>Audio output level</b>	Line-out, 0.7 Vrms	
<b>Cache buffer</b>	512 KB	
<b>Data transfer rate</b>		
CD-R (24X)	3,600 KB/s (150 KB/s at 1X CD rate)	
CD-RW (10X)	1,500 KB/s (150 KB/s at 1X CD rate)	
CD-ROM (24X)	3,600 KB/s (150 KB/s at 1X CD rate)	
DVD (8X)	10,800 KB/s (1,352 KB/s at 1X DVD rate)	
Multiword DMA mode 2	16.6 MB/s	
<b>Startup time</b>	< 10 seconds	
<b>Stop time</b>	< 3 seconds	

---

**Table 6-6**  
**System DMA**

<b>Hardware DMA</b>	<b>System Function</b>
DMA0	Not applicable
DMA1*	Not applicable
DMA2*	Not applicable
DMA3	Not applicable
DMA4	Direct memory access controller
DMA5*	Available for PC Card
DMA6	Not assigned
DMA7	Not assigned

\*PC Card controller can use DMA 1, 2, or 5.

---

**Table 6-7**  
**System Interrupts**

Hardware IRQ	System Function
IRQ0	System timer
IRQ1	Standard 101-/102-Key or Microsoft Natural Keyboard
IRQ2	Cascaded
IRQ3	Intel 82801DB/DBM USB2 Enhanced Host Controller—24CD
IRQ4	COM1
IRQ5*	Conexant AC—Link Audio Intel 82801DB/DBM SMBus Controller—24C3 Data Fax Modem with SmartCP
IRQ6	Diskette drive
IRQ7*	Parallel port
IRQ8	System CMOS/real-time clock
IRQ9*	Microsoft ACPI-compliant system
IRQ10*	Intel USB UHCI controller—24C2 Intel 82852/82855 GM/GME Graphic Controller Realtek RTL8139 Family PCI fast Ethernet Controller



PC Cards may assert IRQ3, IRQ4, IRQ5, IRQ7, IRQ9, IRQ10, IRQ11, or IRQ15. Either the infrared or the serial port may assert IRQ3 or IRQ4.

**Table 6-7**  
**System Interrupts (Continued)**

IRQ11	Intel USB EHCI controller—24CD Intel USB UHCI controller—24C4 Intel USB UHCI controller—24C7 Intel Pro/Wireless 2200BG TI OHCI 1394 host controller TI PCI1410 CardBus controller
IRQ12	Synaptics PS/2 TouchPad
IRQ13	Numeric data processor
IRQ14	Primary IDE channel
IRQ15	Secondary IDE channel

\*Default configuration; audio possible configurations are IRQ5, IRQ7, IRQ9, IRQ10, or none.



PC Cards may assert IRQ3, IRQ4, IRQ5, IRQ7, IRQ9, IRQ10, IRQ11, or IRQ15. Either the infrared or the serial port may assert IRQ3 or IRQ4.

**Table 6-8**  
**System I/O Addresses**

<b>I/O Address (hex)</b>	<b>System Function (shipping configuration)</b>
000 - 00F	DMA controller no. 1
010 - 01F	Unused
020 - 021	Interrupt controller no. 1
022 - 024	Opti chipset configuration registers
025 - 03F	Unused
02E - 02F	87334 "Super I/O" configuration for CPU
040 - 05F	Counter/timer registers
044 - 05F	Unused
060	Keyboard controller
061	Port B
062 - 063	Unused
064	Keyboard controller
065 - 06F	Unused
070 - 071	NMI enable/RTC
072 - 07F	Unused
080 - 08F	DMA page registers
090 - 091	Unused
092	Port A
093 - 09F	Unused
0A0 - 0A1	Interrupt controller no. 2

**Table 6-8**  
**System I/O Addresses (Continued)**

<b>I/O Address (hex)</b>	<b>System Function (shipping configuration)</b>
0A2 - 0BF	Unused
0C0 - 0DF	DMA controller no. 2
0E0 - 0EF	Unused
0F0 - 0F1	Coprocessor busy clear/reset
0F2 - 0FF	Unused
100 - 16F	Unused
170 - 177	Secondary fixed disk controller
178 - 1EF	Unused
1F0 - 1F7	Primary fixed disk controller
1F8 - 200	Unused
201	JoyStick (decoded in ESS1688)
202 - 21F	Unused
220 - 22F	Entertainment audio
230 - 26D	Unused
26E - 26	Unused
278 - 27F	Unused
280 - 2AB	Unused
2A0 - 2A7	Unused
2A8 - 2E7	Unused
2E8 - 2EF	Reserved serial port

**Table 6-8**  
**System I/O Addresses (Continued)**

<b>I/O Address (hex)</b>	<b>System Function (shipping configuration)</b>
2F0 - 2F7	Unused
2F8 - 2FF	Infrared port
300 - 31F	Unused
320 - 36F	Unused
370 - 377	Secondary diskette drive controller
378 - 37F	Parallel port (LPT1/default)
380 - 387	Unused
388 - 38B	FM synthesizer—OPL3
38C - 3AF	Unused
3B0 - 3BB	VGA
3BC - 3BF	Reserved (parallel port/no EPP support)
3C0 - 3DF	VGA
3E0 - 3E1	PC Card controller in CPU
3E2 - 3E3	Unused
3E8 - 3EF	Internal modem
3F0 - 3F7	“A” diskette controller
3F8 - 3FF	Serial port (COM1/default)
CF8 - CFB	PCI configuration index register (PCIDIVO-1)
CFC - CFF	PCI configuration data register (PCIDIVO-1)



**Table 6-9**  
**System Memory Map**

<b>Size</b>	<b>Memory Address</b>	<b>System Function</b>
640 KB	00000000-0009FFFF	Base memory
128 KB	000A0000-000BFFFF	Video memory
48 KB	000C0000-000CBFFF	Video BIOS
160 KB	000C8000-000E7FFF	Unused
64 KB	000E8000-000FFFFF	System BIOS
15 MB	00100000-00FFFFFF	Extended memory
58 MB	01000000-047FFFFFFF	Super extended memory
58 MB	04800000-07FFFFFFF	Unused
2 MB	08000000-080FFFFFFF	Video memory (direct access)
4 GB	08200000-FFFEFFFF	Unused
64 KB	FFFF0000-FFFFFFFF	System BIOS

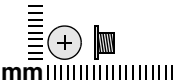
# A

## Screw Listing

This appendix provides specification and reference information for the screws used in the computer. All screws listed in this appendix are available in the Screw Kit, spare part number 418878-001, and the Display Screw Kit, spare part number 418892-001.

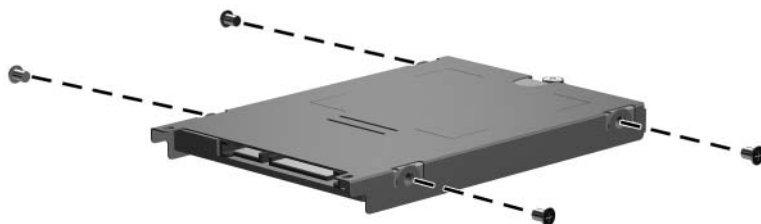
**Table A-1**

**Phillips PM3.0x3.0 Screw**

 mm	Color	Qty.	Length	Thread	Head Width
	Black	4	3.0 mm	3.0 mm	5.0 mm

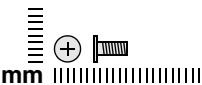
**Where used:**

4 screws that secure the hard drive frame to the hard drive (documented in [Section 5.4](#))



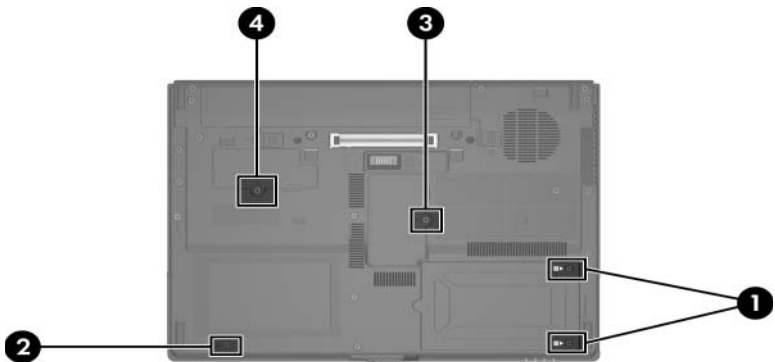
*Phillips PM3.0x3.0 Screw Locations*

**Table A-2**  
**Phillips PM2.0×5.0 Screw**

	Color	Qty.	Length	Thread	Head Width
mm	Black	5	5.0 mm	2.0 mm	5.0 mm

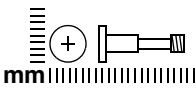
**Where used:**

- ❶ Two screws that secure the hard drive cover to the computer (screws are captured on the cover by C-clips; documented in [Section 5.4](#))
- ❷ One screw that secures the Bluetooth module cover to the computer (screw is captured on the cover by a C-clip; documented in [Section 5.6](#))
- ❸ One screw that secures the memory module compartment cover to the computer (screw is captured on the cover by a C-clip; documented in [Section 5.7](#))
- ❹ One screw that secures the Mini Card module compartment cover to the computer (screw is captured on the cover by a C-clip; documented in [Section 5.8](#))



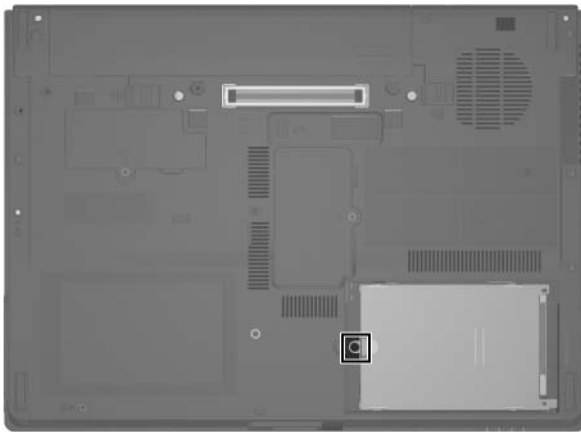
*Phillips PM2.0×5.0 Screw Locations*

**Table A-3**  
**Phillips PM2.5×13.0 Spring-Loaded Screw**

	Color	Qty.	Length	Thread	Head Width
	Silver	1	13.0 mm	2.5 mm	6.0 mm

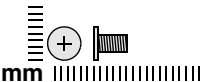
**Where used:**

One screw that secures the hard drive to the computer (screw is captured on the cover by a C-clip; documented in [Section 5.4](#))



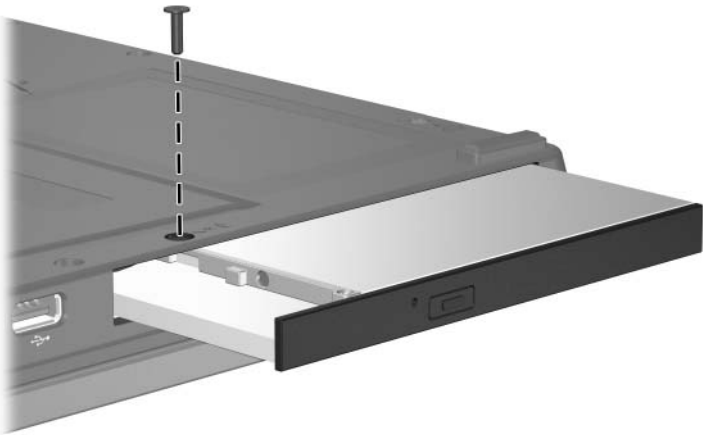
*Phillips PM2.5×13.0 Screw Location*

**Table A-4**  
**Phillips PM2.5x5.0 Screw**

 mm	Color	Qty.	Length	Thread	Head Width
	Black	9	5.0 mm	2.5 mm	5.0 mm

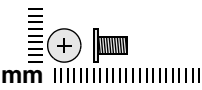
**Where used:**

One screw that secures the MultiBay II device to the computer (documented in [Section 5.9](#))



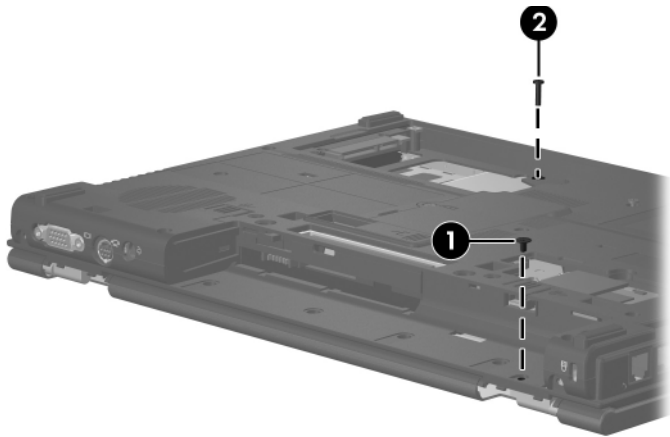
*Phillips PM2.5x5.0 Screw Location*

**Table A-4**  
**Phillips PM2.5x5.0 Screw (Continued)**

	Color	Qty.	Length	Thread	Head Width
	Black	9	5.0 mm	2.5 mm	5.0 mm

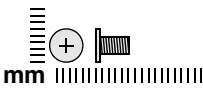
**Where used:**

- ❶ One screw that secures the display assembly to the computer (documented in [Section 5.20](#))
- ❷ One screw that secures the top cover to the computer (documented in [Section 5.21](#))



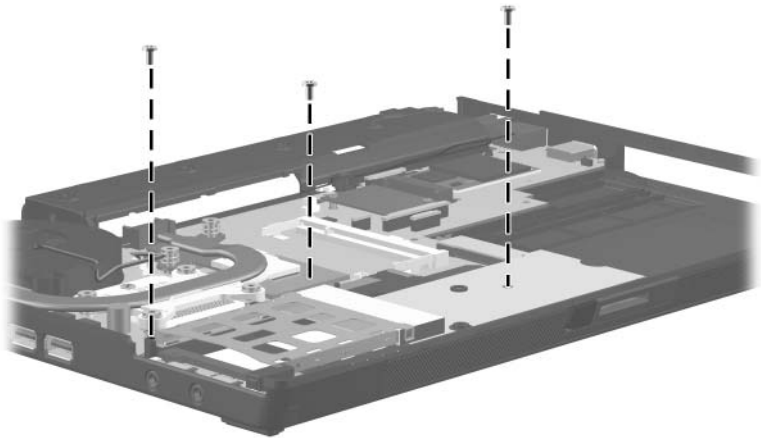
*Phillips PM2.5x5.0 Screw Locations*

**Table A-4**  
**Phillips PM2.5x5.0 Screw (Continued)**

	Color	Qty.	Length	Thread	Head Width
	Black	9	5.0 mm	2.5 mm	5.0 mm

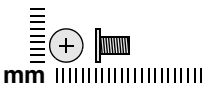
**Where used:**

3 screws that secure the PC Card/digital media board to the computer (documented in [Section 5.22](#))



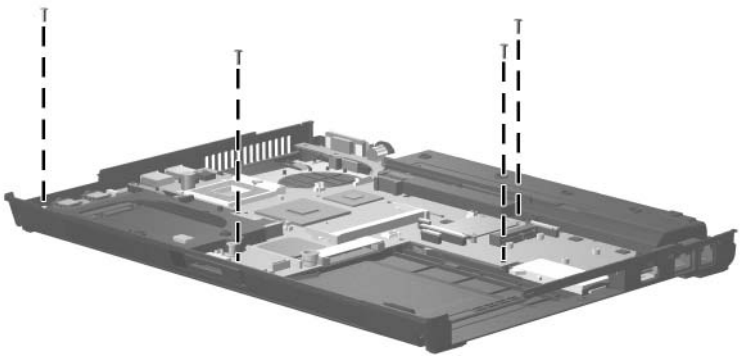
*Phillips PM2.5x5.0 Screw Locations*

**Table A-4**  
**Phillips PM2.5×5.0 Screw (Continued)**

	Color	Qty.	Length	Thread	Head Width
	Black	9	5.0 mm	2.5 mm	5.0 mm

**Where used:**

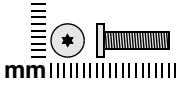
4 screws that secure the system board to the computer (documented in [Section 5.25](#))



*Phillips PM2.5×5.0 Screw Locations*



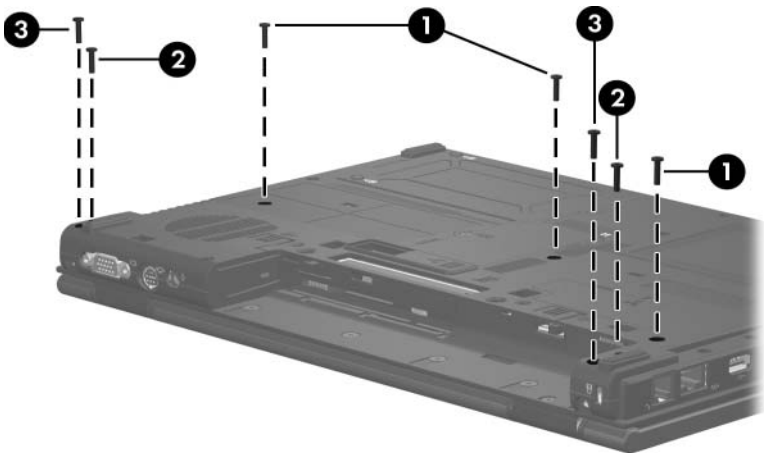
**Table A-5**  
**Torx8 T8M2.5×11.0 Screw**



Color	Qty.	Length	Thread	Head Width
Black	16	11.0 mm	2.5 mm	5.0 mm

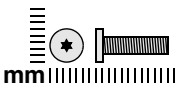
**Where used:**

- ❶ Three screws that secure the keyboard to the computer (documented in [Section 5.10](#))
- ❷ Two screws that secure the switch cover to the computer (documented in [Section 5.15](#))
- ❸ Two screws that secure the display assembly to the computer (documented in [Section 5.20](#))



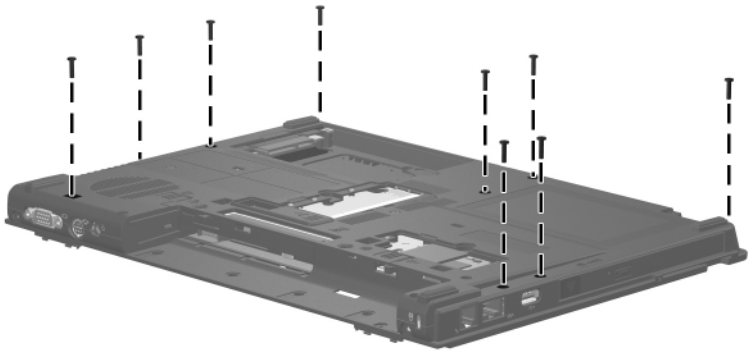
*Torx8 T8M2.5×11.0 Screw Locations*

**Table A-5**  
**Torx8 T8M2.5×11.0 Screw (Continued)**

	Color	Qty.	Length	Thread	Head Width
	Black	16	11.0 mm	2.5 mm	5.0 mm

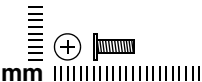
**Where used:**

9 screws that secure the top cover to the computer (documented in [Section 5.21](#))



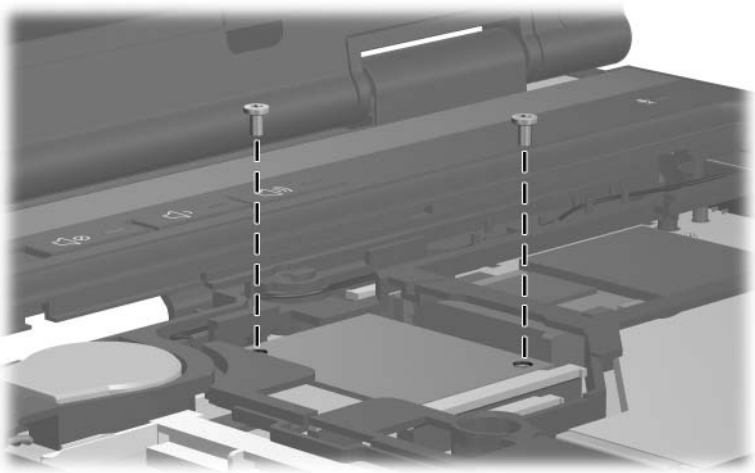
*Torx8 T8M2.5×11.0 Screw Locations*

**Table A-6**  
**Phillips PM2.0x6.0 Screw**

 mm	Color	Qty.	Length	Thread	Head Width
	Silver	5	6.0 mm	2.0 mm	5.0 mm

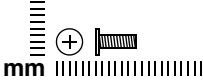
**Where used:**

2 screws that secure the modem module to the computer (documented in [Section 5.13](#))



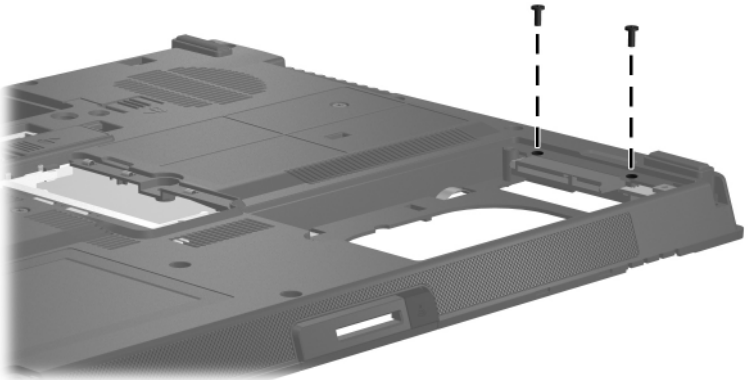
*Phillips PM2.0x6.0 Screw Locations*

**Table A-6**  
**Phillips PM2.0x6.0 Screw (Continued)**

	Color	Qty.	Length	Thread	Head Width
	Silver	5	6.0 mm	2.0 mm	5.0 mm

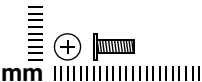
**Where used:**

2 screws that secure the system board to the computer (documented in [Section 5.25](#))



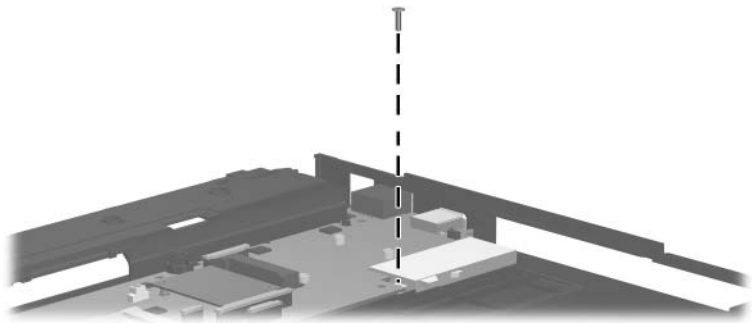
*Phillips PM2.0x6.0 Screw Locations*

**Table A-6**  
**Phillips PM2.0x6.0 Screw (Continued)**

	Color	Qty.	Length	Thread	Head Width
	Silver	5	6.0 mm	2.0 mm	5.0 mm

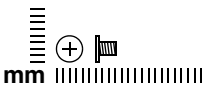
**Where used:**

One screw that secures the MultiBay II eject assembly to the base enclosure (documented in [Section 5.26](#))



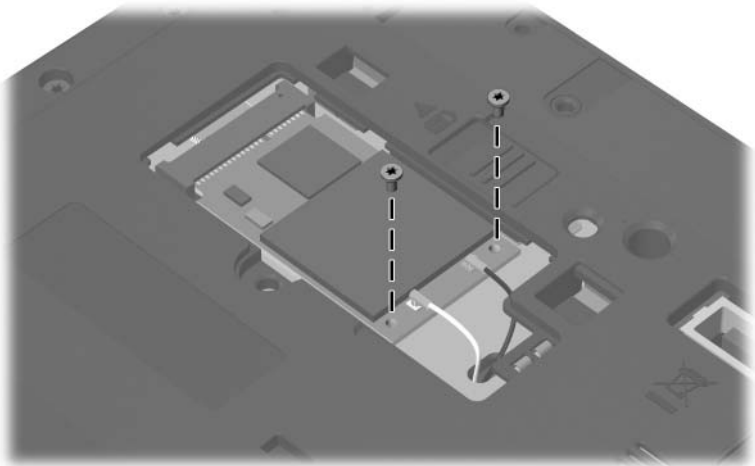
*Phillips PM2.0x6.0 Screw Location*

**Table A-7**  
**Phillips PM2.0×3.0 Screw**

	Color	Qty.	Length	Thread	Head Width
	Silver	4	3.0 mm	2.0 mm	5.0 mm

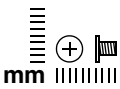

**Where used:**

2 screws that secure the Mini Card WLAN to the computer (documented in [Section 5.8](#))



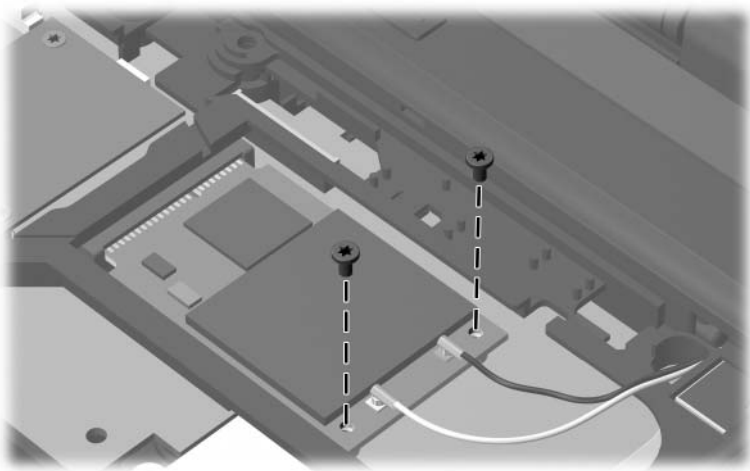
*Phillips PM2.0×3.0 Screw Locations*

**Table A-7**  
**Phillips PM2.0x3.0 Screw (Continued)**

 mm	Color	Qty.	Length	Thread	Head Width
	Silver	4	3.0 mm	2.0 mm	5.0 mm



**Where used:**

2 screws that secure the Mini Card WWAN to the computer (documented in [Section 5.14](#))



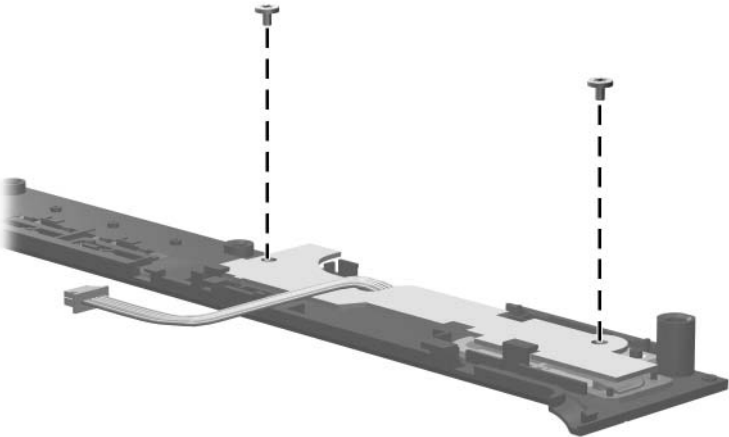
*Phillips PM2.0x3.0 Screw Locations*

**Table A-8**  
**Phillips PM2.5×4.0 Screw**

 mm	Color	Qty.	Length	Thread	Head Width
	Silver	4	4.0 mm	2.5 mm	5.0 mm

**Where used:**

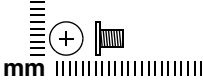
2 screws that secure the power button board to the switch cover (documented in [Section 5.16](#))



*Phillips PM2.5×4.0 Screw Locations*

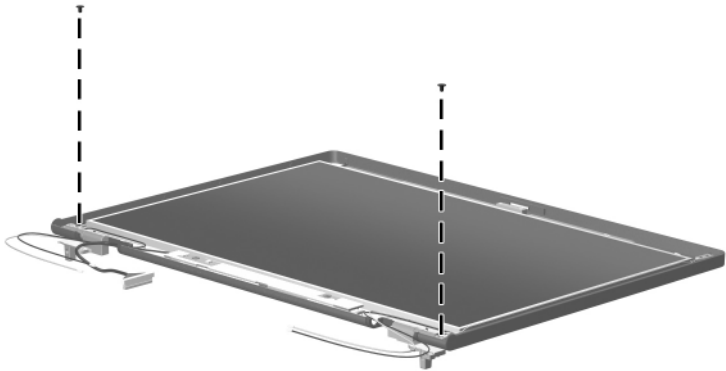


**Table A-8**  
**Phillips PM2.5x4.0 Screw (Continued)**

	Color	Qty.	Length	Thread	Head Width
	Silver	4	4.0 mm	2.5 mm	5.0 mm

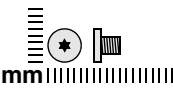
**Where used:**

2 screws that secure the display hinges to the display assembly (documented in [Section 5.20](#))



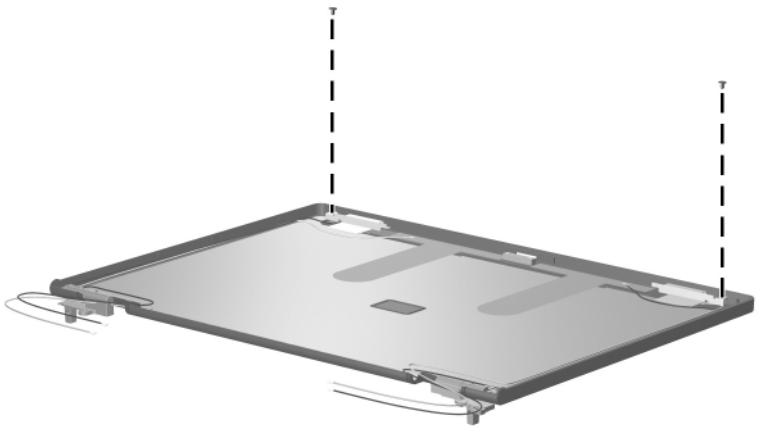
*Phillips PM2.5x4.0 Screw Locations*

**Table A-9**  
**Torx8 T8M2.5x4.0 Screw**

	Color	Qty.	Length	Thread	Head Width
Silver	2	4.0 mm	2.5 mm	5.0 mm	

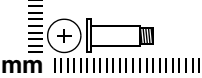
**Where used:**

2 screws that secure the wireless antenna transceivers to the display assembly (documented in [Section 5.20](#))



*Torx8 T8M2.5x4.0 Screw Locations*

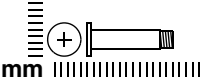
**Table A-10**  
**Phillips PM2.5×10.0 Screw**

	Color	Qty.	Length	Thread	Head Width
	Silver	4	10.0 mm	2.5 mm	6.0 mm

**Where used:**

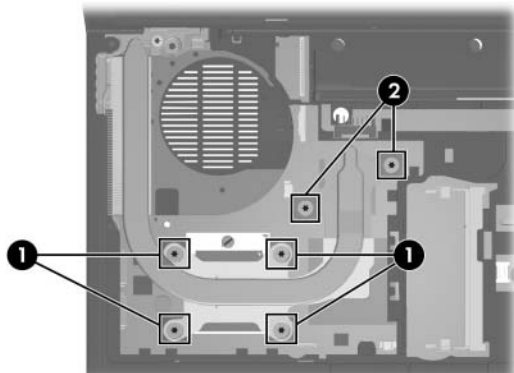
- ❶ Four screws that secure the heat sink to the computer (screws are secured to the heat sink by C-clips; documented in [Section 5.18](#))

**Table A-11**  
**Phillips PM2.5×13.0 Screw**

	Color	Qty.	Length	Thread	Head Width
	Silver	2	13.0 mm	2.5 mm	6.0 mm

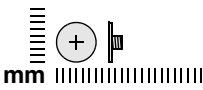
**Where used:**

- ❷ Two screws that secure the heat sink to the computer (screws are secured to the heat sink by C-clips; documented in [Section 5.18](#))



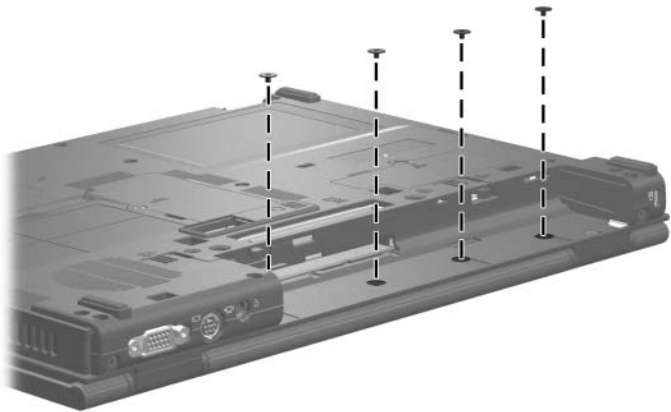
*Phillips PM2.5×10.0 and Phillips PM2.5×13.0 Screw Locations*

**Table A-12**  
**Phillips PM2.0×2.0 Screw**

	Color	Qty.	Length	Thread	Head Width
	Black	4	2.0 mm	2.0 mm	6.0 mm

**Where used:**

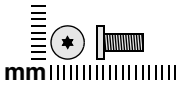
4 screws that secure the switch cover to the computer (documented in [Section 5.15](#))



*Phillips PM2.0×2.0 Screw Locations*

**Table A-13**  
**Torx8 T8M2.5x7.0 Screw**

---



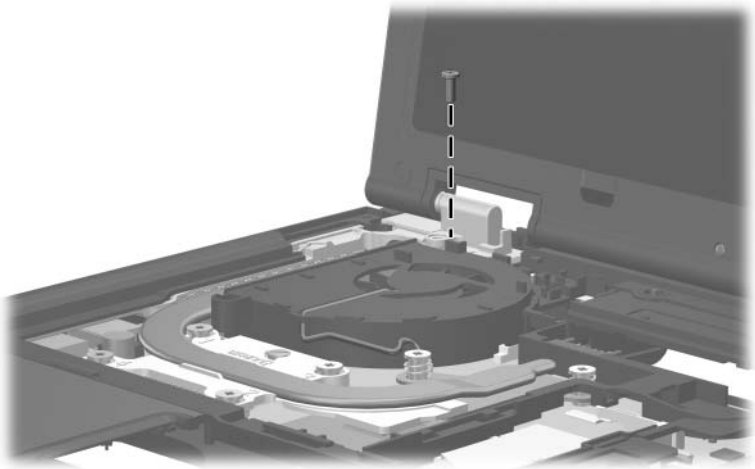
Color	Qty.	Length	Thread	Head Width
Black	8	7.0 mm	2.5 mm	5.0 mm

---

**Where used:**

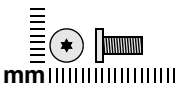
One screw that secures the fan assembly to the computer (documented in [Section 5.17](#))

---



*Torx8 T8M2.5x7.0 Screw Location*

**Table A-13**  
**Torx8 T8M2.5×7.0 Screw (Continued)**

	Color	Qty.	Length	Thread	Head Width
	Black	8	7.0 mm	2.5 mm	5.0 mm

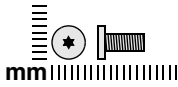
**Where used:**

2 screws that secure the display assembly to the computer (documented in [Section 5.20](#))



*Torx8 T8M2.5×7.0 Screw Locations*

**Table A-13**  
**Torx8 T8M2.5×7.0 Screw (Continued)**



	Color	Qty.	Length	Thread	Head Width
	Black	8	7.0 mm	2.5 mm	5.0 mm

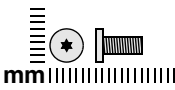
**Where used:**

2 screws that secure the display assembly to the computer (documented in [Section 5.20](#))



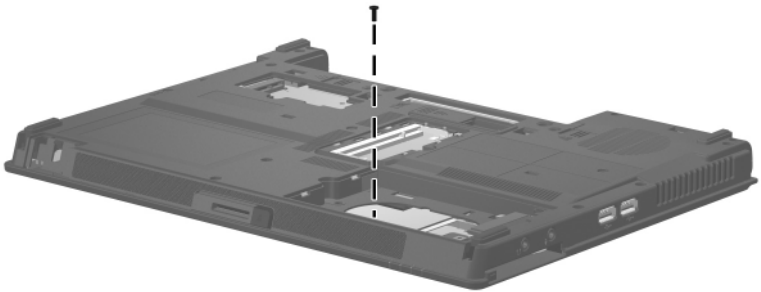
*Torx8 T8M2.5×7.0 Screw Locations*

**Table A-13**  
**Torx8 T8M2.5×7.0 Screw (Continued)**

	Color	Qty.	Length	Thread	Head Width
	Black	8	7.0 mm	2.5 mm	5.0 mm

**Where used:**

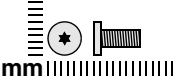
One screw that secures the top cover to the computer (documented in [Section 5.21](#))



*Torx8 T8M2.5×7.0 Screw Location*

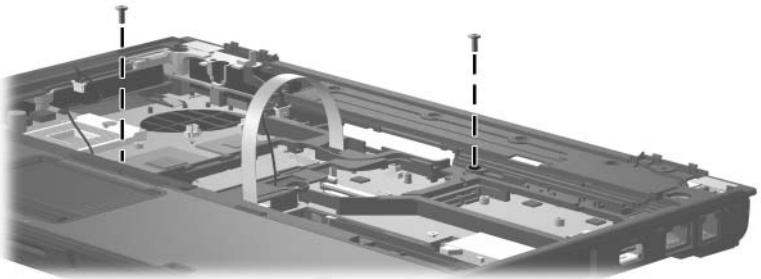


**Table A-13**  
**Torx8 T8M2.5×7.0 Screw (Continued)**

	Color	Qty.	Length	Thread	Head Width
	Black	8	7.0 mm	2.5 mm	5.0 mm

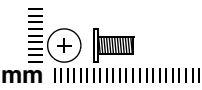
**Where used:**

2 screws that secure the top cover to the computer (documented in [Section 5.21](#))



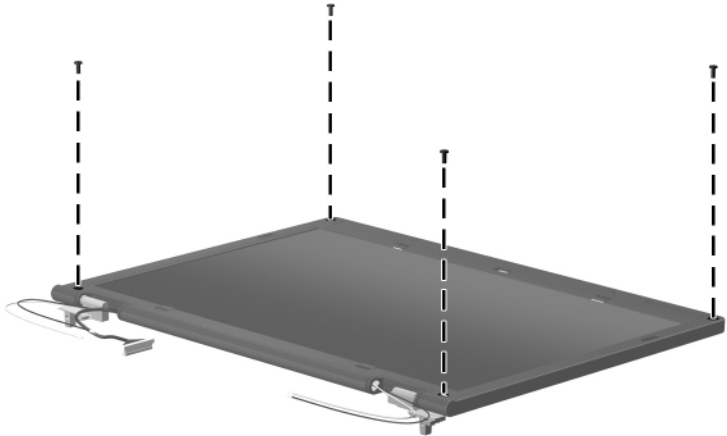
*Torx8 T8M2.5×7.0 Screw Locations*

**Table A-14**  
**Phillips PM2.5×6.0 Screw**

	Color	Qty.	Length	Thread	Head Width
	Silver	8	6.0 mm	2.5 mm	5.0 mm

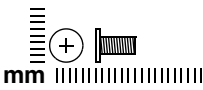
**Where used:**

4 screws that secure the display bezel to the display assembly (documented in [Section 5.20](#))



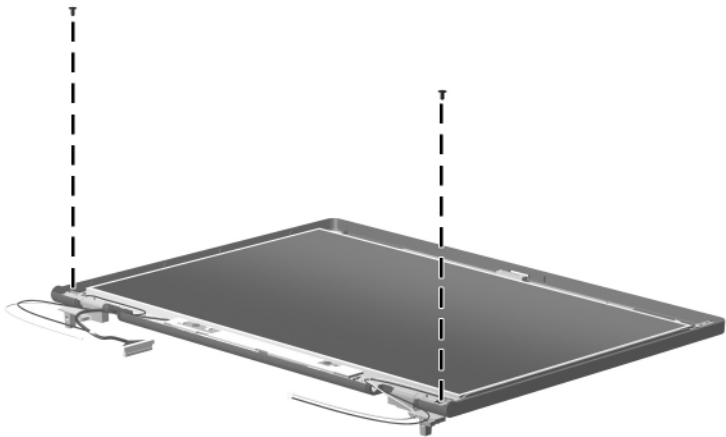
*Phillips PM2.5×6.0 Screw Locations*

**Table A-14**  
**Phillips PM2.5×6.0 Screw (Continued)**

	Color	Qty.	Length	Thread	Head Width
	Silver	8	6.0 mm	2.5 mm	5.0 mm

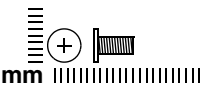
**Where used:**

2 screws that secure the display hinges to the display assembly (documented in [Section 5.20](#))



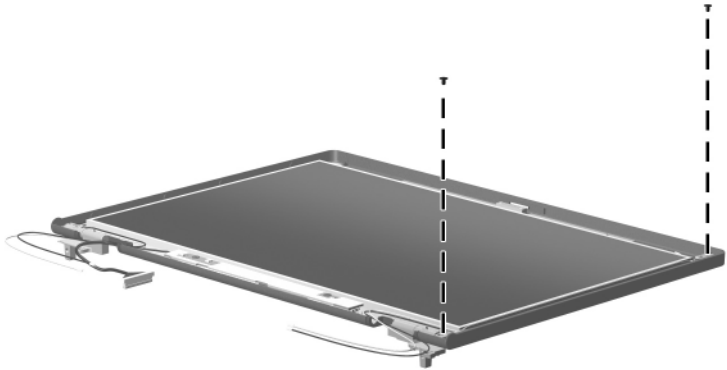
*Phillips PM2.5×6.0 Screw Locations*

**Table A-14**  
**Phillips PM2.5×6.0 Screw (Continued)**

	Color	Qty.	Length	Thread	Head Width
	Silver	8	6.0 mm	2.5 mm	5.0 mm

**Where used:**

2 screws that secure the display panel to the display assembly (documented in [Section 5.20](#))



*Phillips PM2.5×6.0 Screw Locations*

# B

---

## Backup and Recovery in Windows Vista



You can only recover files that you have previously backed up. HP recommends that you use HP Backup & Recovery Manager to create an entire drive backup as soon as you set up your computer.

---

With HP Backup & Recovery Manager, you can perform the following tasks:

- Backing up your information regularly to protect your important system files
- Creating system recovery points that allow you to reverse undesirable changes to your computer by restoring the computer to an earlier state
- Scheduling backups at specific intervals or events

### When to Back Up

- On a regularly scheduled basis



Set reminders to back up your information periodically.

---

- Before the computer is repaired or restored
- Before you add or modify hardware or software

## Backup Suggestions

- Create a set of recovery discs using HP Backup & Recovery Manager.
- Create system recovery points using HP Backup & Recovery Manager, and periodically copy them to disc.
- Store personal files in the Documents folder and back up these folders periodically.
- Back up templates stored in their associated programs.
- Save customized settings in a window, toolbar, or menu bar by taking a screen shot of your settings.

The screen shot can be a time saver if you have to reset your preferences.

To copy the screen and paste it into a word-processing document:

- a. Display the screen.
- b. Copy the screen.

To copy only the active window, press **alt+fn+prt sc**.

To copy the entire screen, press **fn+prt sc**.

- c. Open a word-processing document, and then select **Edit > Paste**.



Before you can perform backup and recovery procedures, the computer must be connected to external power.

---



Drivers, utilities, and applications installed by HP can be copied to a CD or to a DVD using HP Backup & Recovery Manager.

---

## Backing Up Specific Files or Folders

You can back up specific files or folders to the recovery partition on the hard drive, to an optional external hard drive, or to optical discs (CDs or DVDs).



This process will take several minutes, depending on the file size and the speed of the computer.

---

To back up specific files or folders:

1. Select **Start > All Programs > HP Backup & Recovery > Backup and Recovery Manager**.
2. Click **Next**.
3. Click **Back up to protect system settings and important data files**, and then click **Next**.
4. Click **Back up individual files and folders**, and then click **Next**.
5. Follow the on-screen instructions.

## Backing up the Entire Hard Drive

When you perform a complete backup of the hard drive, you are saving the full factory image, including the Windows® operating system, software applications, and all personal files and folders.



A copy of the entire hard drive image can be stored on another hard drive, on a network drive, or on recovery discs that you create.

---



This process may take over an hour, depending on your computer speed and the amount of data being stored.

---

To back up your entire hard drive:

1. Select **Start > All Programs > HP Backup & Recovery > Backup and Recovery Manager**.
2. Click **Next**.
3. Click **Back up to protect system settings and important data files**, and then click **Next**.
4. Click **Back up entire hard drive**, and then click **Next**.
5. Follow the on-screen instructions.

## Creating Recovery Points

When you back up modifications since your last backup, you are creating system recovery points. This allows you to save a snapshot of your hard drive at a specific point in time. You can then recover back to that point if you want to reverse subsequent changes made to your system.



The first system recovery point, a snapshot of the entire image, is automatically created the first time you perform a backup. Subsequent recovery points make copies of changes made after that time.

---

HP recommends that you create recovery points at the following times:

- Before you add or extensively modify software or hardware
  - Periodically, whenever the system is performing optimally
- 



Recovering to an earlier recovery point does not affect data files or e-mails created since that recovery point.

---

To create a system recovery point:

1. Select **Start > All Programs > HP Backup & Recovery > Backup and Recovery Manager**.
2. Click **Next**.



3. Click **Back up to protect system settings and important data files**, and then click **Next**.
4. Click **Create or manage Recovery Points**, and then click **Next**.
5. Follow the on-screen instructions.

## Scheduling Backups

Use HP Backup Scheduler to schedule backups for the entire system, for recovery points, or for specific files and folders. With this tool, you can schedule backups at specific intervals (daily, weekly, or monthly) or at specific events, such as at system restart or when you dock to an optional docking station (select models only).

To schedule backups:

1. Select **Start > All Programs > HP Backup & Recovery > HP Backup Scheduler**.
2. Follow the on-screen instructions.

## Performing a Recovery



You can only recover files that you have previously backed up. HP recommends that you use HP Backup and Recovery Manager to create an entire drive backup as soon as you set up your computer.

---

HP Backup and Recovery Manager helps you with the following tasks for safeguarding your information and restoring it in case of a system failure:

- Recovering important files—This feature helps you reinstall important files without performing a full system recovery.
- Performing a full system recovery—With HP Backup and Recovery Manager, you can recover your full factory image if you experience system failure or instability. HP Backup and Recovery Manager works from a dedicated recovery partition on the hard drive or from recovery discs you create.

## Performing a Recovery from the Recovery Discs

To perform a recovery from the recovery discs, follow these steps:

1. Back up all personal files.
2. Insert the first recovery disc into the optical drive and restart the computer.
3. Follow the on-screen instructions.

## Performing a Recovery from the Hard Drive

There are 2 ways to initiate a recovery from the hard drive:

- From within Windows
- From the recovery partition

## Initiating a Recovery in Windows

To initiate a recovery in Windows, follow these steps:

1. Back up all personal files.
2. Select **Start > All Programs > HP Backup & Recovery > Backup and Recovery Manager**.
3. Click **Next**.

4. Click **Recover important files or the entire system**, and then click **Next**.
5. Follow the on-screen instructions.

## **Initiating a Recovery from the Hard Drive Recovery Partition**

To initiate a recovery from the hard drive recovery partition, follow these steps:

1. Back up all personal files.
2. Restart the computer, and then press **f11** before the Windows operating system loads.
3. Click a recovery option, and then click **Next**.
4. Follow the on-screen instructions.


---

# Backup and Recovery in Windows XP

## Creating Recovery Discs

After setting up the computer for the first time, be sure to create a set of recovery discs of the full factory image. The recovery discs are used to start up (boot) the computer and recover the operating system and software to factory settings in case of system instability or failure.

Note the following guidelines before creating recovery discs:

- You will need high-quality CD-R, DVD-R, or DVD+R media (purchased separately).
  -  Formatted DVD±RW discs and DVD±RW double-layer discs are not compatible with HP Backup and Recovery Manager.
- The computer must be connected to AC power during the process.
- Only one set of the recovery discs can be created per computer.
- Number each disc before inserting it into the optical drive of the computer.
- If necessary, you can cancel the disc creation before you have finished creating the recovery discs. The next time you select **Create factory software recovery CDs or DVDs to recover the system (Highly recommended)**, you will be prompted to continue the disc creation.

To create a set of recovery discs:

1. Select **Start > All Programs > HP Backup & Recovery > HP Backup and Recovery Manager**.
2. Click **Next**.
3. Click **Create factory software recovery CDs or DVDs to recover the system (Highly recommended)**, and then click **Next**.
4. Follow the on-screen instructions.

## Backing Up Your information

---



You can only recover files that you have previously backed up. HP recommends that you use HP Backup and Recovery Manager to create an entire drive backup as soon as you set up your computer.

---

With HP Backup and Recovery Manager, you can perform the following tasks:

- Backing up your information regularly to protect your important system files
- Creating system recovery points that allow you to reverse undesirable changes to your computer by restoring the computer to an earlier state
- Scheduling backups at specific intervals or events

## When to Back Up

- On a regularly scheduled basis
- 



Set reminders to back up your information periodically.

---

- Before the computer is repaired or restored
- Before you add or modify hardware or software

## Backup Suggestions

- Create a set of recovery discs using HP Backup and Recovery Manager.
- Create system recovery points using HP Backup and Recovery Manager, and periodically copy them to disc.
- Store personal files in the My Documents folder and back up these folders periodically.
- Back up templates stored in their associated programs.
- Save customized settings in a window, toolbar, or menu bar by taking a screen shot of your settings.

The screen shot can be a time saver if you have to reset your preferences.

To copy the screen and paste it into a word-processing document:

- a. Display the screen.
- b. Copy the screen.

To copy only the active window, press **alt+fn+prt sc**.

To copy the entire screen, press **fn+prt sc**.

- c. Open a word-processing document, and then select **Edit > Paste**.



Before you can perform backup and recovery procedures, the computer must be connected to external power.

---



Drivers, utilities, and applications installed by HP can be copied to a CD or to a DVD using HP Backup and Recovery Manager.

---

## Backing Up Specific Files or Folders

You can back up specific files or folders to the recovery partition on the hard drive, to an optional external hard drive, or to optical discs (CDs or DVDs).



This process will take several minutes, depending on the file size and the speed of the computer.

---

To back up specific files or folders:

1. Select **Start > All Programs > HP Backup & Recovery > HP Backup and Recovery Manager**.
2. Click **Next**.
3. Click **Back up to protect system settings and important data files**, and then click **Next**.
4. Click **Back up individual files and folders**, and then click **Next**.
5. Follow the on-screen instructions.

## Backing Up the Entire Hard Drive

When you perform a complete backup of the hard drive, you are saving the full factory image, including the Windows® operating system, software applications, and all personal files and folders.



A copy of the entire hard drive image can be stored on another hard drive, on a network drive, or on recovery discs that you create.

---



This process may take over an hour, depending on your computer speed and the amount of data being stored.

---

To back up your entire hard drive:

1. Select **Start > All Programs > HP Backup & Recovery > HP Backup and Recovery Manager**.

2. Click **Next**.
3. Click **Back up to protect system settings and important data files**, and then click **Next**.
4. Click **Back up entire hard drive**, and then click **Next**.
5. Follow the on-screen instructions.

## Creating Recovery Points

When you back up modifications since your last backup, you are creating system recovery points. This allows you to save a snapshot of your hard drive at a specific point in time. You can then recover back to that point if you want to reverse subsequent changes made to your system.



---

The first system recovery point, a snapshot of the entire image, is automatically created the first time you perform a backup. Subsequent recovery points make copies of changes made after that time.

---

HP recommends that you create recovery points at the following times:

- Before you add or extensively modify software or hardware
  - Periodically, whenever the system is performing optimally
- 



Recovering to an earlier recovery point does not affect data files or e-mails created since that recovery point.

---

To create a system recovery point:

1. Select **Start > All Programs > HP Backup & Recovery > HP Backup and Recovery Manager**.
2. Click **Next**.
3. Click **Back up to protect system settings and important data files**, and then click **Next**.



4. Click **Create or manage Recovery Points**, and then click **Next**.
5. Follow the on-screen instructions.

## Scheduling Backups

Use HP Backup Scheduler to schedule backups for the entire system, for recovery points, or for specific files and folders. With this tool, you can schedule backups at specific intervals (daily, weekly, or monthly) or at specific events, such as at system restart or when you dock to an optional docking station (select models only).

To schedule backups:

1. Select **Start > All Programs > HP Backup & Recovery > HP Backup Scheduler**.
2. Follow the on-screen instructions.

## Performing a Recovery

---



You can only recover files that you have previously backed up. HP recommends that you use HP Backup and Recovery Manager to create an entire drive backup as soon as you set up your computer.

---

HP Backup and Recovery Manager helps you with the following tasks for safeguarding your information and restoring it in case of a system failure:

- Recovering important files—This feature helps you reinstall important files without performing a full system recovery.
- Performing a full system recovery—With HP Backup and Recovery Manager, you can recover your full factory image if you experience system failure or instability. HP Backup and Recovery Manager works from a dedicated recovery partition on the hard drive or from recovery discs you create.

## Performing a Recovery from the Recovery Discs

To perform a recovery from the recovery discs, follow these steps:

1. Back up all personal files.
2. Insert the first recovery disc into the optical drive and restart the computer.
3. Follow the on-screen instructions.

## Performing a Recovery from the Hard Drive

There are 2 ways to initiate a recovery from the hard drive:

- From within Windows
- From the recovery partition

### Initiating a Recovery in Windows

To initiate a recovery in Windows, follow these steps:

1. Back up all personal files.
2. Select **Start > All Programs > HP Backup & Recovery > HP Backup and Recovery Manager**.
3. Click **Next**.
4. Click **Recover important files or the entire system**, and then click **Next**.
5. Follow the on-screen instructions.

## **Initiating a Recovery from the Hard Drive Recovery Partition**

To initiate a recovery from the hard drive recovery partition, follow these steps:

1. Back up all personal files.
2. Restart the computer, and then press **f11** before the Windows operating system loads.
3. Click a recovery option, and then click **Next**.
4. Follow the on-screen instructions.

---

## Display Component Recycling

---



**WARNING:** The backlight contains mercury. Caution should be exercised when removing and handling the backlight to avoid damaging this component and causing exposure to the mercury.

---



**CAUTION:** The procedures in this appendix can result in damage to display components. The only components intended for recycling purposes are the liquid crystal display (LCD) panel and the backlight. Careful handling should be exercised when removing these components.

---



### Materials Disposal

This HP product contains mercury in the backlight in the display assembly that might require special handling at end-of-life.

Disposal of mercury may be regulated because of environmental considerations. For disposal or recycling information, contact your local authorities or the Electronic Industries Alliance (EIA) at <http://www.eiae.org>.

---

This appendix provides disassembly instructions for the display assembly. The display assembly must be disassembled to gain access to the backlight **1** and the liquid crystal display (LCD) panel **2**.

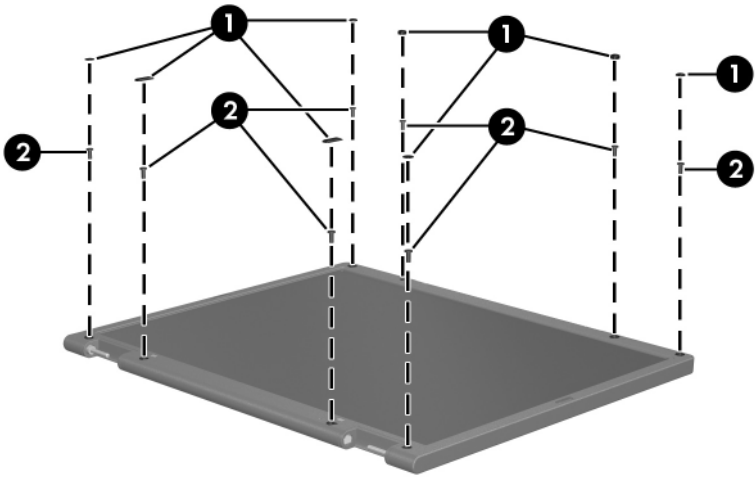


Disassembly procedures differ from one display assembly to another. The procedures provided in this appendix are general disassembly instructions. Specific details, such as screw sizes, quantities, and locations, and component shapes and sizes, can vary from one computer model to another.

---

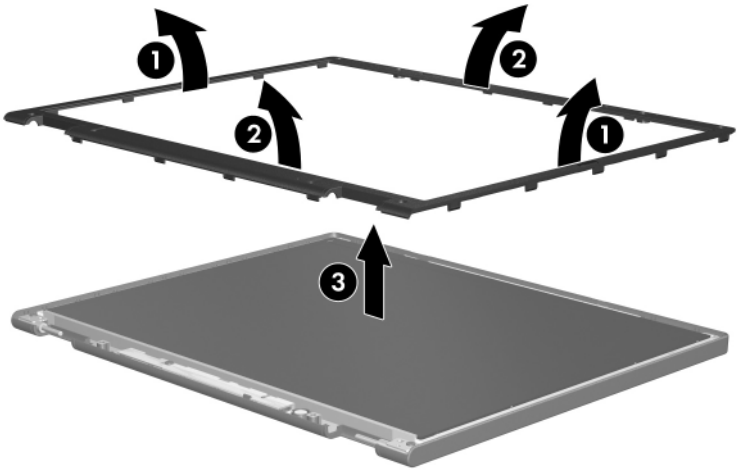
Perform the following steps to disassemble the display assembly:

1. Remove all screw covers **1** and screws **2** that secure the display bezel to the display assembly.



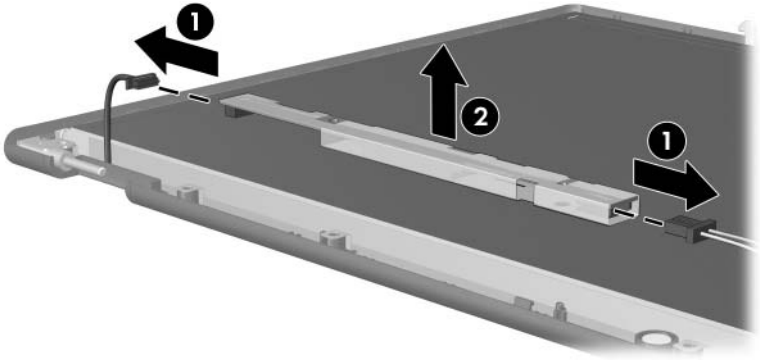
*Removing the Display Bezel Screw Covers and Screws*

- 
2. Lift up and out on the left and right inside edges ❶ and the top and bottom inside edges ❷ of the display bezel until the bezel disengages from the display assembly.
3. Remove the display bezel ❸.



*Removing the Display Bezel*

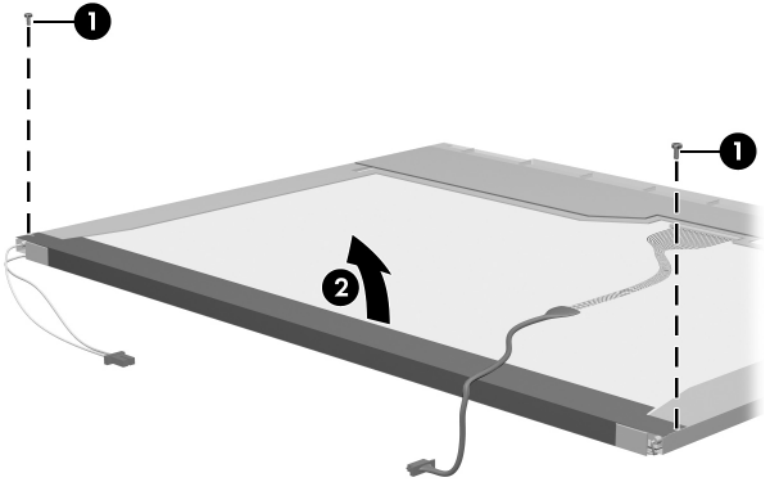
4. Disconnect all display panel cables ① from the display inverter and remove the inverter ②.



*Removing the Display Inverter*

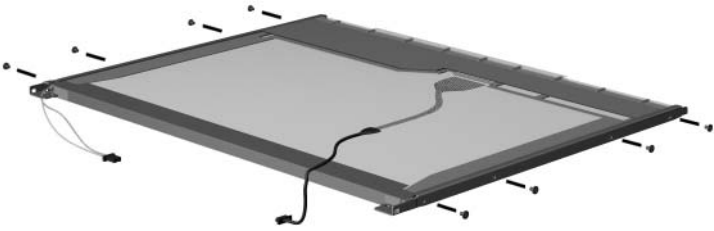


5. Remove all screws **1** that secure the display panel assembly to the display enclosure.
6. Remove the display panel assembly **2** from the display enclosure.



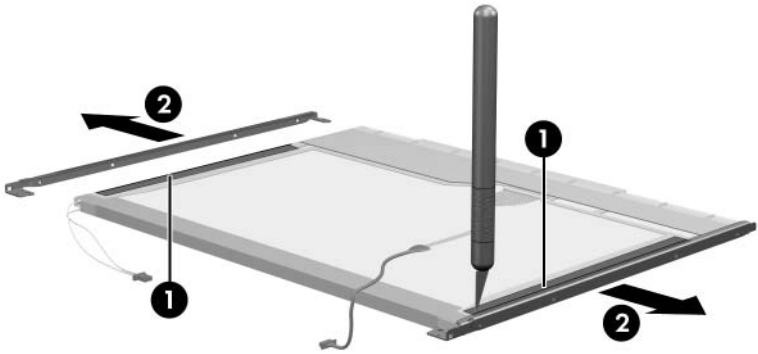
*Removing the Display Panel Assembly*

7. Turn the display panel assembly upside down.
8. Remove all screws that secure the display panel frame to the display panel.



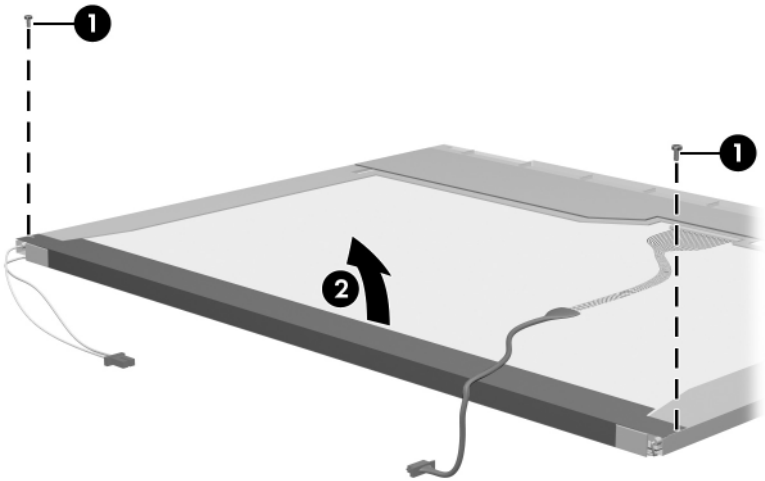
*Removing the Display Panel Frame Screws*

9. Use a sharp-edged tool to cut the tape ❶ that secures the sides of the display panel to the display panel frame.
10. Remove the display panel frame ❷ from the display panel.



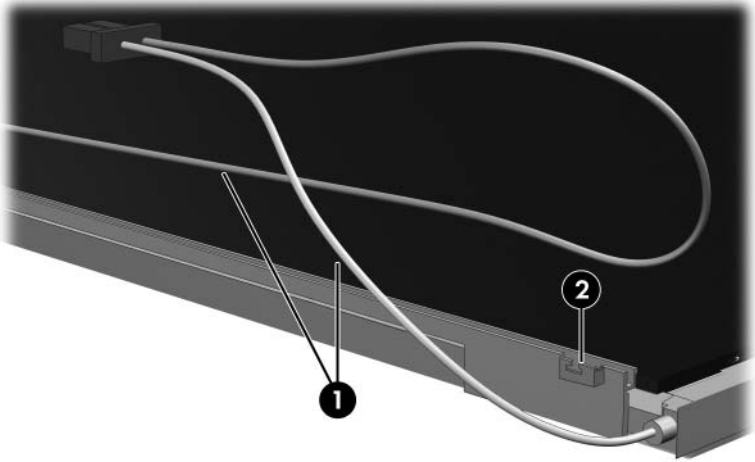
*Removing the Display Frame*

11. Remove the screws **1** that secure the backlight cover to the display panel.
12. Lift the top edge of the backlight cover **2** and swing it forward.
13. Remove the backlight cover.



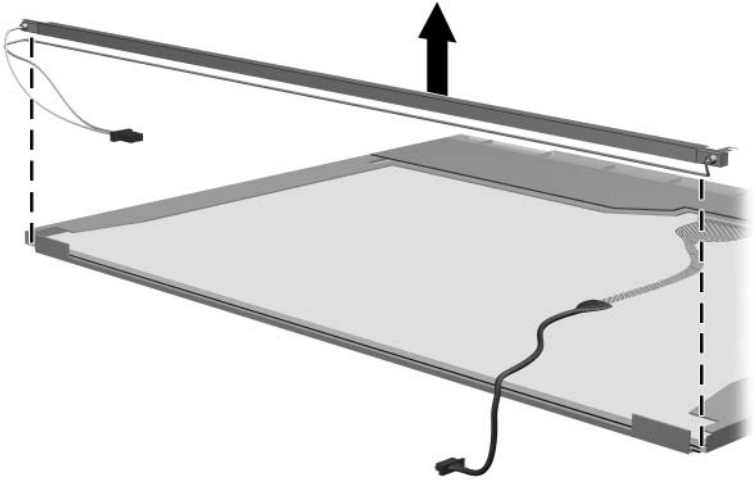
*Removing the Backlight Cover*

14. Turn the display panel right-side up.
15. Remove the backlight cables **1** from the clip **2** in the display panel.



*Releasing the Backlight Cables*

16. Turn the display panel upside down.
17. Remove the backlight frame from the display panel.



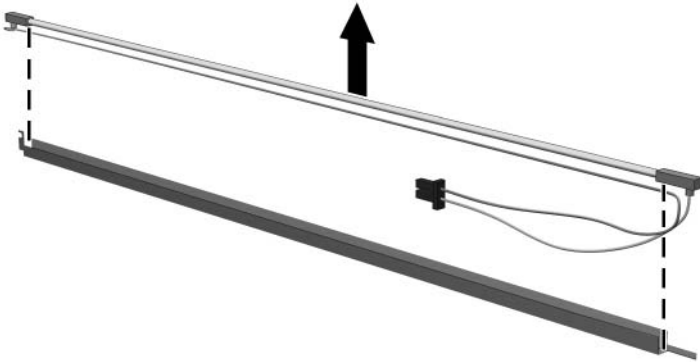
*Removing the Backlight Frame*



**WARNING:** The backlight contains mercury. Caution should be exercised when removing and handling the backlight to avoid damaging this component and causing exposure to the mercury.

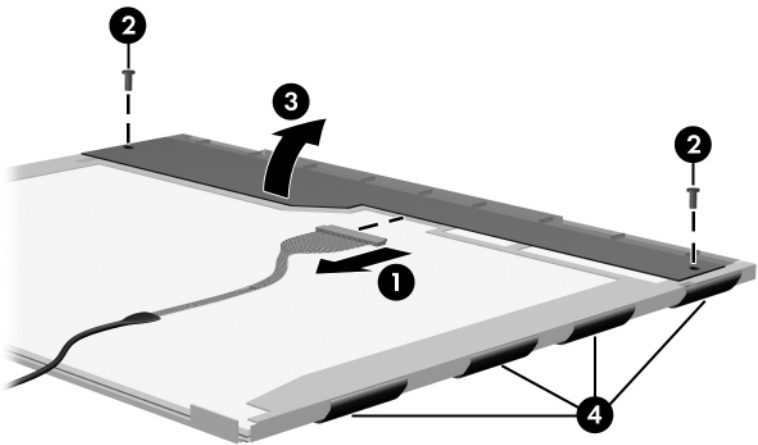
---

18. Slide the backlight out of the backlight frame.



*Removing the Backlight*

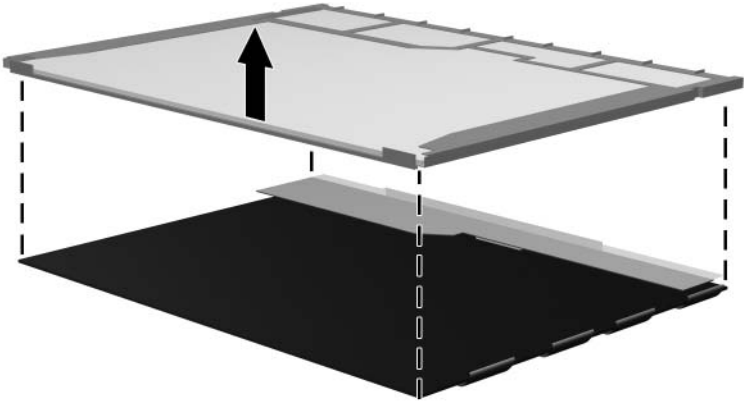
19. Disconnect the display cable ❶ from the LCD panel.
20. Remove the screws ❷ that secure the LCD panel to the display rear panel.
21. Release the LCD panel ❸ from the display rear panel.
22. Release the tape ❹ that secures the LCD panel to the display rear panel.



*Releasing the LCD Panel*



23. Remove the LCD panel.



*Removing the LCD Panel*

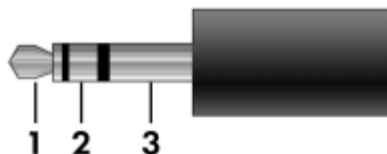
24. Recycle the LCD panel and backlight.

---

## Connector Pin Assignments

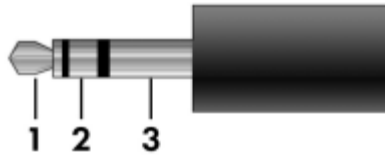
---

**Table D-1**  
**Audio-Out (Headphone)**



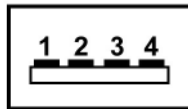
Pin	Signal	Pin	Signal
1	Audio out, left channel	3	Ground
2	Audio out, right channel		

**Table D-2**  
**Audio-In (Microphone)**



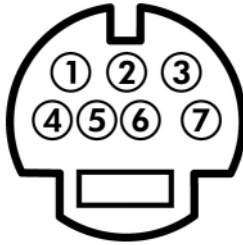
Pin	Signal	Pin	Signal
1	Audio signal in	3	Ground
2	Audio signal in		

**Table D-3**  
**Universal Serial Bus**



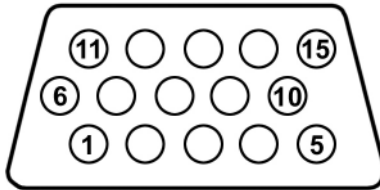
Pin	Signal	Pin	Signal
1	+5 VDC	3	Data +
2	Data -	4	Ground

**Table D-4**  
**S-Video-Out**



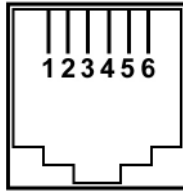
<b>Pin</b>	<b>Signal</b>	<b>Pin</b>	<b>Signal</b>
1	S-VHS color (C) signal	5	TV-CD
2	Composite video signal	6	S-VHS intensity ground
3	S-VHS intensity (Y) signal	7	Composite video ground
4	S-VHS color ground		

**Table D-5**  
**External Monitor**



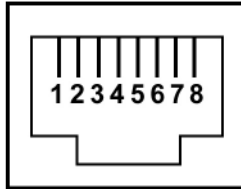
Pin	Signal	Pin	Signal
1	Red analog	9	+5 VDC
2	Green analog	10	Ground
3	Blue analog	11	Monitor detect
4	Not connected	12	DDC 2B data
5	Ground	13	Horizontal sync
6	Ground analog	14	Vertical sync
7	Ground analog	15	DDC 2B clock
8	Ground analog		

**Table D-6**  
**RJ-11 (Modem)**



<b>Pin</b>	<b>Signal</b>	<b>Pin</b>	<b>Signal</b>
1	Unused	4	Unused
2	Tip	5	Unused
3	Ring	6	Unused

**Table D-7**  
**RJ-45 (Network)**



<b>Pin</b>	<b>Signal</b>	<b>Pin</b>	<b>Signal</b>
1	Transmit +	5	Unused
2	Transmit –	6	Receive –
3	Receive +	7	Unused
4	Unused	8	Unused

---

## Power Cord Set Requirements

### 3-Conductor Power Cord Set

The wide range input feature of the computer permits it to operate from any line voltage from 100 to 120 or 220 to 240 volts AC.

The power cord set included with the computer meets the requirements for use in the country or region where the equipment is purchased.

Power cord sets for use in other countries or regions must meet the requirements of the country or region where the computer is used.



## General Requirements

The requirements listed below are applicable to all countries or regions.

- The length of the power cord set must be at least 1.5 m (5.0 ft) and a maximum of 2.0 m (6.5 ft).
- All power cord sets must be approved by an acceptable accredited agency responsible for evaluation in the country or region where the power cord set will be used.
- The power cord sets must have a minimum current capacity of 10 amps and a nominal voltage rating of 125 or 250 V AC, as required by each country or region's power system.
- The appliance coupler must meet the mechanical configuration of an EN 60 320/IEC 320 Standard Sheet C13 connector for mating with the appliance inlet on the back of the computer.

## Country/Region-Specific Requirements

### 3-Conductor Power Cord Set Requirements

Country/Region	Accredited Agency	Applicable Note Number
Australia	EANSW	1
Austria	OVE	1
Belgium	CEBC	1
Canada	CSA	2
Denmark	DEMKO	1
Finland	FIMKO	1
France	UTE	1
Germany	VDE	1
Italy	IMQ	1
Japan	METI	3



#### NOTES:

1. The flexible cord must be <HAR> Type HO5VV-F, 3-conductor, 1.0 mm<sup>2</sup> conductor size. Power cord set fittings (appliance coupler and wall plug) must bear the certification mark of the agency responsible for evaluation in the country or region where it will be used.
2. The flexible cord must be Type SPT-3 or equivalent, No. 18 AWG, 3-conductor. The wall plug must be a two-pole grounding type with a NEMA 5-15P (15 A, 125 V) or NEMA 6-15P (15 A, 250 V) configuration.
3. The appliance coupler, flexible cord, and wall plug must bear a "T" mark and registration number in accordance with the Japanese Dentori Law. The flexible cord must be Type VCT or VCTF, 3-conductor, 1.00 mm<sup>2</sup> conductor size. The wall plug must be a two-pole grounding type with a Japanese Industrial Standard C8303 (7 A, 125 V) configuration.

### 3-Conductor Power Cord Set Requirements (*Continued*)

Country/Region	Accredited Agency	Applicable Note Number
Korea	EK	4
The Netherlands	KEMA	1
Norway	NEMKO	1
People's Republic of China	CCC	5
Sweden	SEMKO	1
Switzerland	SEV	1
Taiwan	BSMI	4
United Kingdom	BSI	1
United States	UL	2



**NOTES:**

1. The flexible cord must be <HAR> Type HO5VV-F, 3-conductor, 1.0 mm<sup>2</sup> conductor size. Power cord set fittings (appliance coupler and wall plug) must bear the certification mark of the agency responsible for evaluation in the country or region where it will be used.
2. The flexible cord must be Type SPT-3 or equivalent, No. 18 AWG, 3-conductor. The wall plug must be a two-pole grounding type with a NEMA 5-15P (15 A, 125 V) or NEMA 6-15P (15 A, 250 V) configuration.
3. The appliance coupler, flexible cord, and wall plug must bear a “T” mark and registration number in accordance with the Japanese Dentori Law. The flexible cord must be Type VCT or VCTF, 3-conductor, 1.00 mm<sup>2</sup> conductor size. The wall plug must be a two-pole grounding type with a Japanese Industrial Standard C8303 (7 A, 125 V) configuration.
4. The flexible cord must be Type RVV, 3-conductor, 0.75 mm<sup>2</sup> conductor size. Power cord set fittings (appliance coupler and wall plug) must bear the certification mark of the agency responsible for evaluation in the country or region where it will be used.
5. The flexible cord must be Type VCTF, 3-conductor, 0.75 mm<sup>2</sup> conductor size. Power cord set fittings (appliance coupler and wall plug) must bear the certification mark of the agency responsible for evaluation in the country or region where it will be used.

---

# Index

## A

- AC adapter, spare part
  - numbers 3-21, 3-27
- accessory battery connector
  - 1-22
- arrow keys 1-15
- audio cable
  - illustrated 3-19
  - removal 5-71
- audio troubleshooting 2-25
- audio-in jack
  - location 1-11
  - pin assignments E-2
- audio-out jack
  - location 1-11
  - pin assignments E-1

## B

- backing up
  - hard drive
    - Windows Vista B-3
    - Windows XP C-4
  - specific files or folders
    - Windows Vista B-3
    - Windows XP C-4
  - system modifications C-6
  - the system C-3

- backup C-2
- Backup and Recovery
  - Windows Vista B-1
  - Windows XP C-1
- backup suggestions B-2
- base enclosure, spare part
  - number 3-9, 3-27
- battery
  - removal 5-6
  - spare part numbers 3-11, 3-26, 5-6
- battery bay 1-13, 1-22
- battery light 1-7
- battery release latch 1-22
- Bluetooth module
  - removal 5-12
  - spare part number 3-15, 3-25, 5-12
- Bluetooth module cable
  - illustrated 3-19
  - removal 5-71
- Bluetooth module cover
  - illustrated 3-18
  - removal 5-12
- bottom components 1-22

## C

### Cable Kit

- contents 3–19
- spare part number 3–5,  
3–19, 3–27

cables, service considerations  
4–2

**caps lock** key 1–15

caps lock light 1–19

carrying case, spare part  
number 3–21, 3–23

CMOS clearing 1–4

components

- bottom 1–22
- front 1–6
- keyboard 1–12, 1–14
- left-side 1–10
- rear 1–10
- right-side 1–8
- top 1–16, 1–18, 1–20

computer feet

- illustrated 3–18
- locations 5–11

Computer Setup

- Advanced Menu 2–7
- Diagnostics Menu 2–7
- File menu 2–4
- menus 2–4
- overview 2–1
- Security Menu 2–5

computer specifications 6–1

connector pin assignments

- audio-in E–2
- audio-out E–1
- external monitor E–4
- headphone E–1

microphone E–2

modem E–5

monitor E–4

network E–6

RJ-11 E–5

RJ-45 E–6

S-Video-out E–3

Universal Serial Bus (USB)  
E–2

connectors, service

considerations 4–2

creating recovery points B–4

## D

design overview 1–24

Digital Media Slot 1–7

disassembly sequence chart  
5–3

diskette drive

- OS loading problems 2–23
- precautions 4–3
- spare part number 3–23

display assembly

- removal 5–44
- spare part numbers 3–3,  
3–28, 5–44

display bezel

- illustrated 3–16
- removal 5–50
- spare part number 3–17,  
3–27, 5–48, 5–50

Display Bracket Kit, spare part  
number 3–17, 3–28, 5–48

Display Cable Kit, spare part  
number 3–17, 3–28, 5–48

- display component recycling
    - D-1
  - display enclosure
    - illustrated 3-16
    - spare part number 3-17, 3-28, 5-48, 5-50
  - display hinge
    - illustrated 3-16
    - removal 5-51
  - Display Hinge Kit, spare part number 3-17, 3-28, 5-48, 5-51
  - display inverter
    - illustrated 3-16
    - removal 5-53
    - spare part number 3-17, 3-27, 5-48, 5-53
  - display panel
    - illustrated 3-16
    - removal 5-52
    - spare part numbers 3-17, 3-27, 3-28, 5-48, 5-52
  - display release button 1-7
  - Display Rubber Kit, spare part number 3-28
  - Display Screw Kit, spare part number 3-17, 3-28, 5-48
  - docking connector 1-22
  - drive light 1-7
  - drives, preventing damage 4-3
  - DVD/CD-RW Combo Drive
    - spare part number 3-26
  - DVD±RW and CD-RW Combo Drive
    - precautions 4-3
    - removal 5-21
    - spare part number 3-11, 3-20, 3-26, 5-21
    - specifications 6-6, 6-8
  - DVD-ROM drive
    - precautions 4-3
    - removal 5-21
    - spare part number 3-11, 3-20, 3-21, 3-26, 5-21
    - specifications 6-8
- E**
- electrostatic discharge 4-4, 4-8
  - exhaust vents 1-11
  - expansion product
    - spare part number 3-21
    - troubleshooting 2-18
  - external monitor port
    - location 1-13
    - pin assignments E-4
  - External MultiBay II power cable and stand, spare part number 3-21, 3-23
  - External MultiBay II, spare part number 3-21, 3-23
- F**
- f1** to **f12** keys 1-15
  - fan assembly
    - removal 5-38
    - spare part number 3-7, 3-27, 5-38
  - features 1-2
  - feet
    - illustrated 3-18
    - locations 5-11
  - fingerprint reader 1-19

- fingerprint reader insert, spare part numbers 3–21, 3–31
- flowcharts, troubleshooting
  - no audio 2–25, 2–26
  - no network/modem connection 2–30
  - no OS loading 2–19
  - no OS loading from diskette drive 2–23
  - no OS loading from hard drive 2–20, 2–21, 2–22
  - no OS loading from optical drive 2–24
  - no power 2–12, 2–14, 2–15
  - no video 2–16, 2–17
  - nonfunctioning device 2–27
  - nonfunctioning docking device 2–18
  - nonfunctioning keyboard 2–28
  - nonfunctioning pointing device 2–29
- fn** key 1–15
- front components 1–6
- G**
- grounding equipment and methods 4–7
- H**
- hard drive
  - OS loading problems 2–20
  - precautions 4–3
  - removal 5–7
  - spare part numbers 3–9, 3–20, 3–26, 3–30, 3–31, 5–7
  - specifications 6–4
- hard drive bay 1–23
- hard drive cover
  - illustrated 3–18
  - removal 5–8
- headphone jack
  - location 1–11
  - pin assignments E–1
- heat sink
  - removal 5–39
  - spare part numbers 3–7, 3–27, 3–30, 3–31, 5–39
- HP Docking Station, spare part number 3–21, 3–23
- HP Extended Life Battery, spare part number 3–21, 3–23
- I**
- I/O address specifications 6–12
- Info Center button 1–17
- infrared port 1–7
- initiating a Recovery
  - from the hard drive Recovery Partition Windows Vista B–7
  - in Windows Vista B–6
- interrupt specifications 6–10

**K**

- keyboard
  - removal 5-23
  - spare part numbers 3-3, 3-28, 3-29, 3-30, 5-23
  - troubleshooting 2-28
- keyboard components 1-12, 1-14
- keypad 1-15

**L**

- Label Kit, spare part number 3-21, 3-27
- LED board, spare part number 3-9, 3-28
- left-side components 1-10

**M**

- mass storage devices, spare part numbers 3-20
- memory map specifications 6-15
- memory module
  - removal 5-14, 5-29
  - spare part numbers 3-5, 3-25, 3-26, 5-14, 5-29
- memory module compartment 1-23
- memory module compartment cover
  - illustrated 3-18
  - removal 5-15
- microphone
  - removal 5-66, 5-67
  - spare part number 3-5, 3-28, 5-66

- microphone jack
  - location 1-11
  - pin assignments E-2
- Mini Card compartment 1-23
- Mini Card module
  - compartment cover
    - illustrated 3-18
    - removal 5-19
- Mini Card WLAN module
  - removal 5-17
  - spare part numbers 3-11, 3-13, 3-15, 3-24, 3-25, 5-17
- Mini Card WWAN module
  - removal 5-33
  - spare part number 3-7, 3-26, 5-33
  - spare part numbers 3-30
- Miscellaneous Plastics Kit (for use with docking device), spare part number 3-21, 3-23
- modem jack
  - location 1-9
  - pin assignments E-5
- modem module
  - spare part number 3-5, 3-25, 5-31
  - troubleshooting 2-30
- modem module cable
  - illustrated 3-19
  - removal 5-72
- monitor port
  - location 1-13
  - pin assignments E-4



- MultiBay II device 1–9
  - removal 5–21
  - spare part numbers 5–21
- MultiBay II eject assembly
  - removal 5–77
  - spare part number 3–9, 3–28, 5–77

## **N**

- network jack
  - location 1–9
  - pin assignments E–6
- network, troubleshooting 2–30
- nonfunctioning device,
  - troubleshooting 2–18, 2–27
- num lock** key 1–15
- num lock light 1–19

## **O**

- optical drive
  - OS loading problems 2–24
  - precautions 4–3
  - removal 5–21
  - spare part numbers 3–11, 3–20, 3–21, 5–21
  - specifications 6–6, 6–8

## **P**

- packing precautions 4–5
- password clearing 1–4
- PC Card slot bezel, illustrated 3–18
- PC Card slots 1–11
- PC Card/digital media board
  - removal 5–61
  - spare part number 3–5, 3–27, 5–61

- performing a Recovery
  - from hard drive
    - Windows Vista B–6
  - from Recovery Discs
    - Windows Vista B–6
- plastic parts 4–2
- Plastics Kit
  - contents 3–18
  - spare part number 3–5, 3–18, 3–27
- pointing device,
  - troubleshooting 2–29
- pointing stick 1–21
- pointing stick buttons 1–21
- pointing stick cable, illustrated 3–19
- power button 1–17
- power button board
  - removal 5–37
  - spare part number 3–3, 3–28, 5–37
- power connector 1–13
- power cord
  - set requirements F–2
  - spare part numbers 3–22, 3–23
- power light 1–6, 1–19
- power management features 1–5
- power, troubleshooting 2–12
- presentation button 1–17
- processor
  - removal 5–42
  - spare part numbers 3–9, 3–26, 3–27, 3–30, 3–31, 5–42

**R**

rear components 1–10

Recovery

Windows Vista B–5

removal/replacement

preliminaries 4–1

procedures 5–1

right-side components 1–8

RJ-11 jack

location 1–9

pin assignments E–5

RJ-45 jack

location 1–9

pin assignments E–6

RTC battery

removal 5–28

spare part number 3–5,  
3–27

**S**

safeguarding your data C–2

scheduling backups

Windows Vista B–5

Screw Kit

contents A–1

spare part number 3–22,  
3–27, A–1

screw listing A–1

security cable slot 1–13

serial number 1–23, 3–1, 5–2

service considerations 4–2

smart card slot 1–9

speaker

location 1–7

removal 5–64

spare part number 3–9,  
3–27, 5–64

specifications

computer 6–1

DVD±RW and CD-RW

Combo Drive 6–6, 6–8

DVD-ROM drive 6–8

hard drive 6–4

I/O addresses 6–12

interrupts 6–10

memory map 6–15

optical drive 6–6, 6–8

system DMA 6–9

static shielding materials 4–8

stringent security 1–4

S-Video-out jack

location 1–13

pin assignments E–3

switch cover

removal 5–35

spare part number 3–3,  
3–28, 5–35

system board

removal 5–68

spare part numbers 3–7,  
3–28, 3–30, 5–68

system DMA 6–9

system memory map 6–15

## **T**

- thermal pads, replacing 5–41
- thermal paste, replacing 5–41
- tools required 4–1
- top components 1–16, 1–18, 1–20
- top cover
  - removal 5–55
  - spare part number 3–5, 3–27, 3–30, 5–55
- TouchPad 1–21
- TouchPad cable, illustrated 3–19
- TouchPad left/right buttons 1–21
- TouchPad scroll zone 1–21
- transporting precautions 4–5
- troubleshooting
  - audio 2–25
  - expansion product 2–18
  - flowcharts 2–10
  - keyboard 2–28
  - modem 2–30
  - network 2–30
  - nonfunctioning device 2–18, 2–27
  - OS loading 2–19
  - overview 2–1
  - pointing device 2–29
  - power 2–12
  - video 2–16

## **U**

- Universal Serial Bus (USB) diskette drive, spare part number 3–21
- Universal Serial Bus (USB) port
  - location 1–9, 1–11
  - pin assignments E–2
- unknown password 1–4

## **V**

- vents 1–23
- video troubleshooting 2–16
- volume buttons 1–17

## **W**

- when to back up B–1
- Windows applications key 1–15
- Windows logo key 1–15
- wireless antenna
  - illustrated 3–16
  - removal 5–54
- Wireless Antenna Kit, spare part number 3–17, 3–28, 5–48, 5–54
- wireless button 1–17
- wireless light 1–6, 1–17, 1–19
- workstation precautions 4–6