

# HP 520 Notebook PC

## Maintenance and Service Guide

© Copyright 2007 Hewlett-Packard  
Development Company, L.P.

Bluetooth is a trademark owned by its proprietor and used by Hewlett-Packard Company under license. Intel, Core, and Celeron are trademarks or registered trademarks of Intel Corporation or its subsidiaries in the United States and other countries. Java is a U.S. trademark of Sun Microsystems, Inc. Microsoft, Windows, and Windows Vista are either trademarks or registered trademarks of Microsoft Corporation in the United States and/or other countries.

The information contained herein is subject to change without notice. The only warranties for HP products and services are set forth in the express warranty statements accompanying such products and services. Nothing herein should be construed as constituting an additional warranty. HP shall not be liable for technical or editorial errors or omissions contained herein.

First Edition: April 2007

Document Part Number: 446950-001

## Safety warning notice

---

- ⚠ **WARNING!** To reduce the possibility of heat-related injuries or of overheating the computer, do not place the computer directly on your lap or obstruct the computer air vents. Use the computer only on a hard, flat surface. Do not allow another hard surface, such as an adjoining optional printer, or a soft surface, such as pillows or rugs or clothing, to block airflow. Also, do not allow the AC adapter to contact the skin or a soft surface, such as pillows or rugs or clothing, during operation. The computer and the AC adapter comply with the user-accessible surface temperature limits defined by the International Standard for Safety of Information Technology Equipment (IEC 60950).
-



---

# Table of contents

## 1 Product description

## 2 External component identification

Front components .....	5
Top components .....	6
Buttons and lights .....	6
Keys .....	7
Pointing devices .....	8
Right-side components .....	9
Left-side components .....	9
Bottom components .....	10

## 3 Illustrated parts catalog

Serial number location .....	11
Computer major components .....	12
Display assembly components .....	16
Plastics/Hardware Kit .....	17
Mass storage devices .....	18
Miscellaneous parts .....	19
Sequential part number listing .....	20

## 4 Removal and replacement procedures

Preliminary replacement requirements .....	25
Tools required .....	25
Service considerations .....	25
Plastic parts .....	25
Cables and connectors .....	25
Drive handling .....	26
Grounding guidelines .....	26
Electrostatic discharge damage .....	26
Packaging and transporting guidelines .....	27
Workstation guidelines .....	27
Equipment guidelines .....	28
Unknown user password .....	29
Component replacement procedures .....	30
Serial number .....	30
Battery .....	31
Hard drive .....	32

Computer feet .....	34
Memory module .....	35
WLAN module .....	37
Optical drive .....	39
Switch cover .....	41
Keyboard .....	43
Display assembly .....	45
Base enclosure .....	50
RTC battery .....	52
Fan assembly .....	53
Heat sink .....	55
Processor .....	57
Speaker .....	58
System board .....	60
PC Card assembly .....	62
TouchPad cable .....	64

## 5 Computer Setup

Starting Computer Setup .....	67
Using Computer Setup .....	68
Navigating and selecting in Computer Setup .....	68
Restoring factory settings in Computer Setup .....	68
Computer Setup menus .....	69
File menu .....	69
Security menu .....	70
Diagnostics menu .....	70
System Configuration menu .....	71

## 6 Specifications

Computer specifications .....	73
14.1-inch, WXGA display specifications .....	74
Hard drive specifications .....	75
Primary 4-cell, Li-ion battery specifications .....	76
DVD±RW and CD-RW Super-Multi Double-Layer Combo Drive specifications .....	77
DVD/CD-RW Combo Drive specifications .....	78
System DMA specifications .....	79
System interrupt specifications .....	80
System I/O address specifications .....	81
System memory map specifications .....	83

## 7 Screw listing

Phillips PM2.5×8.0 captive screw .....	86
Phillips PM3.0×3.0 screw .....	87
Phillips PM2.0×4.0 screw .....	88
Phillips PM2.0×9.0 screw .....	89
Phillips PM2.0×3.0 screw .....	92
Phillips PM2.0×7.0 screw .....	94
Phillips PM2.5×6.0 screw .....	95

<b>8 Backup and recovery</b>	
Creating recovery discs .....	97
Backing up your information .....	98
When to back up .....	98
Backup suggestions .....	98
Backing up specific files or folders .....	99
Backing up the entire hard drive .....	99
Creating recovery points .....	100
Scheduling backups .....	100
Performing a recovery .....	101
Performing a recovery from the recovery discs .....	101
Performing a recovery from the hard drive .....	101
Initiating a recovery in Windows .....	102
Initiating a recovery from the hard drive recovery partition .....	102
<b>9 Connector pin assignments</b>	
Audio-out (headphone) .....	103
Audio-in (microphone) .....	103
External monitor .....	104
RJ-11 (modem) .....	105
RJ-45 (network) .....	105
Universal Serial Bus .....	106
<b>10 Power cord set requirements</b>	
Requirements for all countries .....	107
Requirements for specific countries .....	108
<b>11 Recycling</b>	
Battery .....	109
Display .....	109
<b>Index .....</b>	<b>115</b>





# 1 Product description

Category	Description	940GML system board without wireless local area network (WLAN)	940GML system board with WLAN	945GML system board with WLAN
<b>Product Name</b>	<b>HP 520 Notebook PC</b>	✓	✓	✓
<b>Processors</b>	<ul style="list-style-type: none"> <li>Intel® Core™ Duo T2300 (1.66-GHz) processor with 667-MHz front side bus (FSB), 2 MB of L2 cache, socketed</li> </ul>			✓
	<ul style="list-style-type: none"> <li>Intel Core Duo T2300E (1.66-GHz) processor with 667-MHz FSB, 2 MB of L2 cache, socketed</li> </ul>			✓
	<ul style="list-style-type: none"> <li>Intel Core Solo T1400 (1.83-GHz) processor 667-MHz FSB, 2 MB of L2 cache, socketed</li> </ul>			✓
	<ul style="list-style-type: none"> <li>Intel Core Solo T1300 (1.66-GHz) processor 667-MHz FSB, 2 MB of L2 cache, socketed</li> </ul>			✓
	<ul style="list-style-type: none"> <li>Intel Celeron® M 420M (1.60-GHz) processor 533-MHz FSB, 512 KB of L2 cache, socketed</li> </ul>	✓	✓	
	<ul style="list-style-type: none"> <li>Intel Celeron M 410M (1.46-GHz) processor 533-MHz FSB, 512 KB of L2 cache, socketed</li> </ul>	✓	✓	
<b>Chipsets</b>	<ul style="list-style-type: none"> <li>Northbridge: Intel 945GM</li> </ul>			✓
	<ul style="list-style-type: none"> <li>Northbridge: Intel 940GML</li> </ul>	✓	✓	
	<ul style="list-style-type: none"> <li>Southbridge: Intel ICH-7M</li> </ul>	✓	✓	✓
<b>Graphics</b>	Unified Memory Architecture (UMA) – graphics subsystem shares memory resources with main system memory	✓	✓	✓
<b>Panels</b>	<ul style="list-style-type: none"> <li>14.1-inch, WXGA (16:10 aspect ratio) BrightView with wireless antenna transceivers and cables</li> </ul>		✓	✓
	<ul style="list-style-type: none"> <li>14.1-inch, WXGA (16:10 aspect ratio) BrightView without wireless antenna transceivers and cables</li> </ul>	✓		
<b>Memory</b>	<ul style="list-style-type: none"> <li>Two SODIMM slots</li> <li>Customer-accessible/upgradable</li> </ul>	✓	✓	✓

Category	Description	940GML system board without wireless local area network (WLAN)	940GML system board with WLAN	945GML system board with WLAN
	<ul style="list-style-type: none"> <li>• DDRII PC2-5300 (667-MHz)</li> <li>• Supports the following configurations: <ul style="list-style-type: none"> <li>◦ 2048 MB total system memory (1024-MB × 2)</li> <li>◦ 1536 MB total system memory (1024-MB + 512-MB)</li> <li>◦ 1024 MB total system memory (1024-MB × 1, 512-MB × 2)</li> <li>◦ 768 MB total system memory (512-MB + 256-MB)</li> <li>◦ 512 MB total system memory (512-MB × 1, 256-MB × 2)</li> <li>◦ 256 MB total system memory (256-MB × 1)</li> </ul> </li> </ul>			
<b>Hard drives</b>	<ul style="list-style-type: none"> <li>• Supports all 9.5-mm, 2.5-inch hard drives</li> <li>• Parallel ATA</li> <li>• Supports the following drives: <ul style="list-style-type: none"> <li>◦ 120-GB, 5400-rpm</li> <li>◦ 80-GB, 5400-rpm</li> </ul> </li> </ul>	√	√	√
<b>Optical drives (fixed)</b>	<ul style="list-style-type: none"> <li>• 12.7-mm tray load</li> <li>• Parallel ATA</li> <li>• Fixed, no modular requirements (1 screw removal)</li> <li>• Supports the following drives: <ul style="list-style-type: none"> <li>◦ DVD±RW and CD-RW Super-Multi Double-Layer Combo Drive</li> <li>◦ DVD/CD-RW Combo Drive</li> </ul> </li> </ul>	√	√	√
<b>Diskette drive</b>	Supports external USB drive only	√	√	√
<b>Audio</b>	<ul style="list-style-type: none"> <li>• Conexant CX20549</li> <li>• Single speaker</li> <li>• Headphone and microphone jacks</li> </ul>	√	√	√
<b>Modem</b>	<ul style="list-style-type: none"> <li>• Conexant CX20548-11</li> <li>• Modem cable included</li> </ul>	√	√	√
<b>Ethernet</b>	Intel 82562GT	√	√	√

Category	Description	940GML system board without wireless local area network (WLAN)	940GML system board with WLAN	945GML system board with WLAN
<b>Wireless</b>	<b>Integrated wireless options by way of WLAN module:</b> <ul style="list-style-type: none"> <li>WLAN antennae (2, configured in display assembly)</li> <li>Intel 802.11a/b/g</li> <li>Broadcom 802.11b/g</li> </ul>		✓	✓
<b>External media card</b>	One Type I/II PC Card slot, 16-bit PCMCIA and 32-bit CardBus	✓	✓	✓
<b>Ports</b>	<ul style="list-style-type: none"> <li>2-pin AC jack</li> <li>Audio-out (stereo microphone) jack</li> <li>Audio-in (stereo headphone) jack</li> <li>RJ-11 modem jack</li> <li>RJ-45 Ethernet jack (includes link and activity LEDs)</li> <li>USB 2.0 ports (2)</li> <li>VGA port (Dsub 15-pin)</li> </ul>	✓	✓	✓
<b>Docking</b>	No docking support	✓	✓	✓
<b>Keyboard/pointing devices</b>	<ul style="list-style-type: none"> <li>Keyboard with embedded numeric keypad</li> <li>TouchPad with 2 buttons and one-way scroll</li> </ul>	✓	✓	✓
<b>Power requirements</b>	<ul style="list-style-type: none"> <li>4-cell, 2.2-Ah, 32-Wh, Li-ion battery</li> </ul> <p><b>NOTE:</b> The HP 520 Notebook PC does not support Smart Battery technology.</p> <ul style="list-style-type: none"> <li>65-W AC adapter with localized cable plug support (2-wire plug with ground pin, supports 2-pin DC connector)</li> </ul> <p><b>NOTE:</b> The HP 520 Notebook PC does not support Smart AC adapter technology.</p>	✓	✓	✓
<b>Security</b>	Security cable slot	✓	✓	✓
<b>Operating system</b>	<b>Preinstalled:</b> <ul style="list-style-type: none"> <li>Windows Vista™ Home Basic</li> <li>Windows Vista Business 32</li> <li>FreeDOS</li> </ul>	✓	✓	✓
<b>Serviceability</b>	<b>End-user replaceable parts:</b> <ul style="list-style-type: none"> <li>AC adapter</li> </ul>	✓	✓	✓

<b>Category</b>	<b>Description</b>	<b>940GML system board without wireless local area network (WLAN)</b>	<b>940GML system board with WLAN</b>	<b>945GML system board with WLAN</b>
	<ul style="list-style-type: none"> <li>Battery (system)</li> </ul>	√	√	√
	<ul style="list-style-type: none"> <li>Hard drive</li> </ul>	√	√	√
	<ul style="list-style-type: none"> <li>Memory module</li> </ul>	√	√	√
	<ul style="list-style-type: none"> <li>WLAN module</li> </ul>		√	√

## 2 External component identification

### Front components

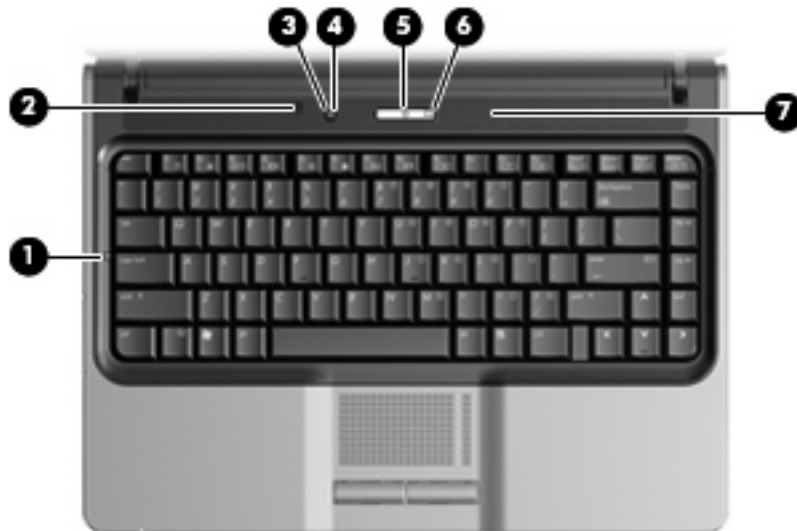


Item	Component	Function
(1)	Wireless antennae (select models only)	<p>Send and receive signals from one or more wireless devices. These antennae are not visible from the outside of the computer.</p> <p><b>NOTE:</b> To see wireless regulatory notices, refer to the section of the <i>Regulatory, Safety and Environmental Notices</i> that applies to your country or region. These notices are located in Help and Support.</p>
(2)	Battery light	<ul style="list-style-type: none"><li>• Amber: A battery is charging.</li><li>• Green: A battery is close to full charge capacity.</li><li>• Blinking amber: A battery that is the only available power source has reached a low battery level. When the battery reaches a critical battery level, the battery light begins to blink rapidly.</li><li>• Off: If the computer is plugged into an external power source, the light turns off when all batteries in the computer are fully charged. If the computer is not plugged into an external power source, the light stays off until the battery reaches a low battery level.</li></ul>

Item	Component	Function
(3)	Audio-out (headphone) jack	Produces sound when connected to optional stereo speakers, headphones, ear buds, a headset, or television audio.
(4)	Audio-in (microphone) jack	Connects an optional computer headset microphone, stereo array microphone, or monaural microphone.

## Top components

### Buttons and lights

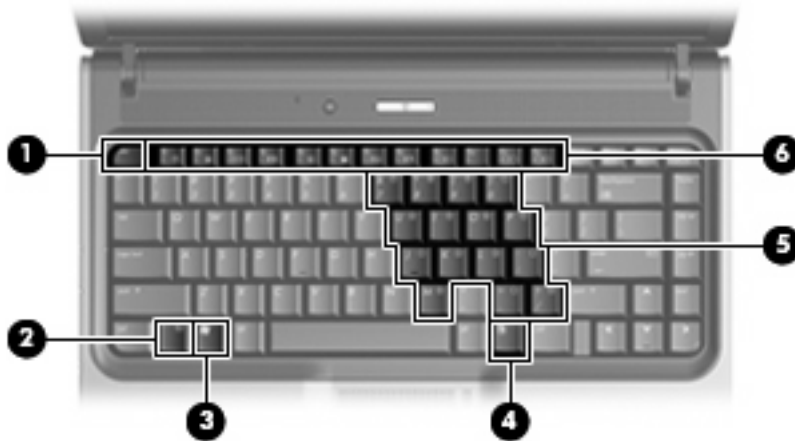


Item	Component	Function
(1)	Caps lock light	On: Caps lock is on.
(2)	Internal display switch	Turns off the display if the display is closed while the power is on.
(3)	Wireless button (select models only)	Turns the wireless feature on or off, but does not create a wireless connection.  <b>NOTE:</b> A wireless network must be set up in order to establish a wireless connection.
(4)	Wireless light (select models only)	<ul style="list-style-type: none"> <li>On: An integrated wireless device, such as a wireless local area network (WLAN) device, the HP Broadband Wireless Module, and/or a Bluetooth® device, is on.</li> <li>Off: All wireless devices are turned off.</li> </ul>
(5)	Power button*	<ul style="list-style-type: none"> <li>When the computer is off, press the button to turn on the computer.</li> <li>When the computer is on, press the button to initiate the Sleep state.</li> </ul>

Item	Component	Function
		<ul style="list-style-type: none"> <li>When the computer is in the Sleep state, press the button briefly to exit the Sleep state.</li> <li>When the computer is in Hibernation, press the button briefly to exit Hibernation.</li> </ul> <p>If the computer has stopped responding and Windows shutdown procedures cannot be used, press and hold the power button for at least 5 seconds to turn off the computer.</p> <p>To learn more about your power settings, select <b>Start &gt; Control Panel &gt; System and Maintenance &gt; Power Options</b>.</p>
(6)	Power light	<ul style="list-style-type: none"> <li>On: The computer is on.</li> <li>Blinking: The computer is in the Sleep state.</li> <li>Blinking rapidly: An AC adapter with a higher power rating should be connected.</li> <li>Off: The computer is off or in Hibernation.</li> </ul>
(7)	Speaker	Produces sound.

\*This table describes factory settings. For information about changing factory settings, refer to the user guides in Help and Support.

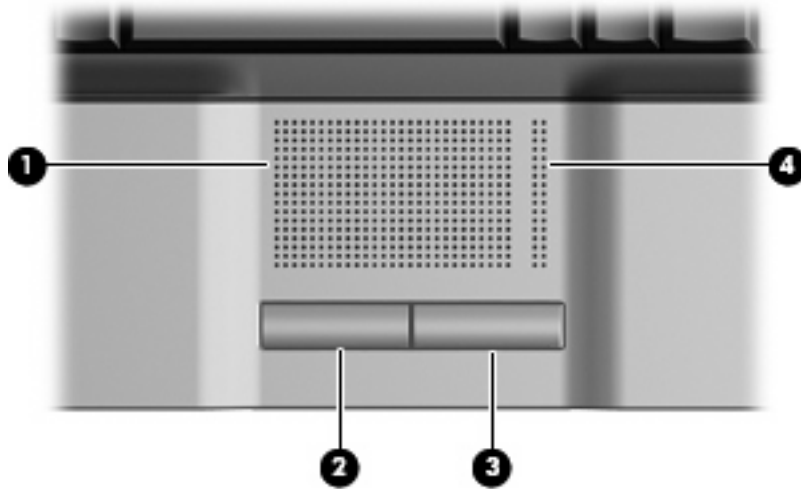
## Keys



Item	Component	Function
(1)	esc key	Displays system information when pressed in combination with the <b>fn</b> key.
(2)	fn key	Executes frequently used system functions when pressed in combination with a function key or the <b>esc</b> key.
(3)	Windows logo key	Displays the Windows Start menu.
(4)	Windows applications key	Displays a shortcut menu for items beneath the pointer.

Item	Component	Function
(5)	Embedded numeric keypad keys	Can be used like the keys on an external numeric keypad.
(6)	Function keys	Execute frequently used system functions when pressed in combination with the <b>fn</b> key.

## Pointing devices

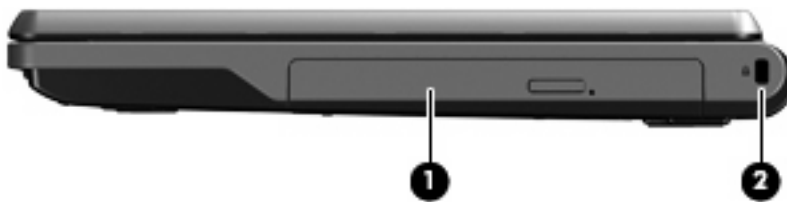


Item	Component	Function
(1)	TouchPad*	Moves the pointer and selects or activates items on the screen.
(2)	Left TouchPad button*	Functions like the left button on an external mouse.
(3)	Right TouchPad button*	Functions like the right button on an external mouse.
(4)	TouchPad scroll zone*	Scrolls up or down.

\*This table describes factory settings. To view or change pointing device preferences, select **Start > Control Panel > Hardware and Sound > Mouse**.



## Right-side components



Item	Component	Function
(1)	Optical drive	Reads an optical disc.
(2)	Security cable slot	Attaches an optional security cable to the computer.

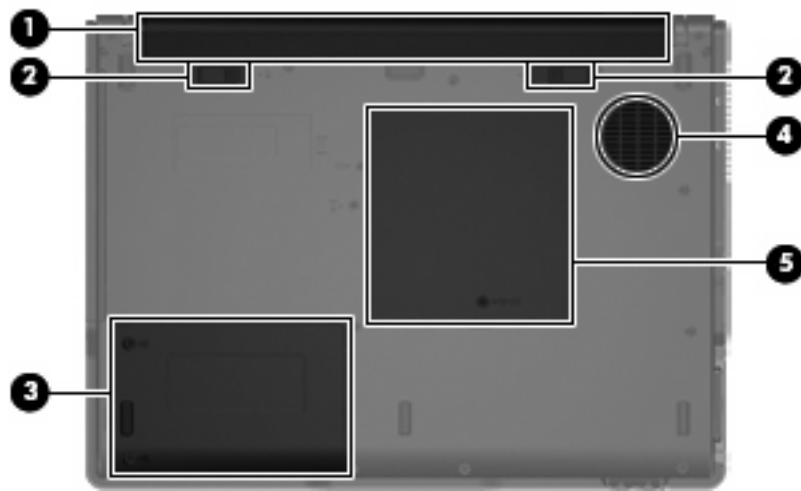
**NOTE:** The security cable is designed to act as a deterrent, but it may not prevent the computer from being mishandled or stolen.

## Left-side components



Item	Component	Function
(1)	Vent	Enables airflow to cool internal components.
		<b>NOTE:</b> The computer fan starts up automatically to cool internal components and prevent overheating. It is normal for the internal fan to cycle on and off during routine operation.
(2)	RJ-11 (modem) jack (select models only)	Connects a modem cable.
(3)	RJ-45 (network) jack	Connects a network cable.
(4)	Power connector	Connects an AC adapter.
		<b>NOTE:</b> The HP 520 Notebook PC does not support Smart AC adapter technology.
(5)	External monitor port	Connects an optional VGA external monitor or projector.
(6)	PC Card slot	Supports optional Type I or Type II 32-bit (CardBus) or 16-bit PC Cards.
(7)	USB ports (2)	Connect an optional USB device.
(8)	PC Card eject button	Ejects the PC Card from the PC Card slot.

## Bottom components



Item	Component	Function
(1)	Battery bay	Holds the battery.  <b>NOTE:</b> The HP 520 Notebook PC does not support Smart Battery technology.
(2)	Battery release latches (2)	Release the battery from the battery bay.
(3)	Hard drive bay	Holds the hard drive.
(4)	Vent	Enables airflow to cool internal components.  <b>NOTE:</b> The computer fan starts up automatically to cool internal components and prevent overheating. It is normal for the internal fan to cycle on and off during routine operation.
(5)	Memory/WLAN module compartment	Contains the memory module slot.  <b>CAUTION:</b> To prevent an unresponsive system, replace the wireless module only with a wireless module authorized for use in the computer by the governmental agency that regulates wireless devices in your country or region. If you replace the module and then receive a warning message, remove the module to restore computer functionality, and then contact technical support through Help and Support.

---

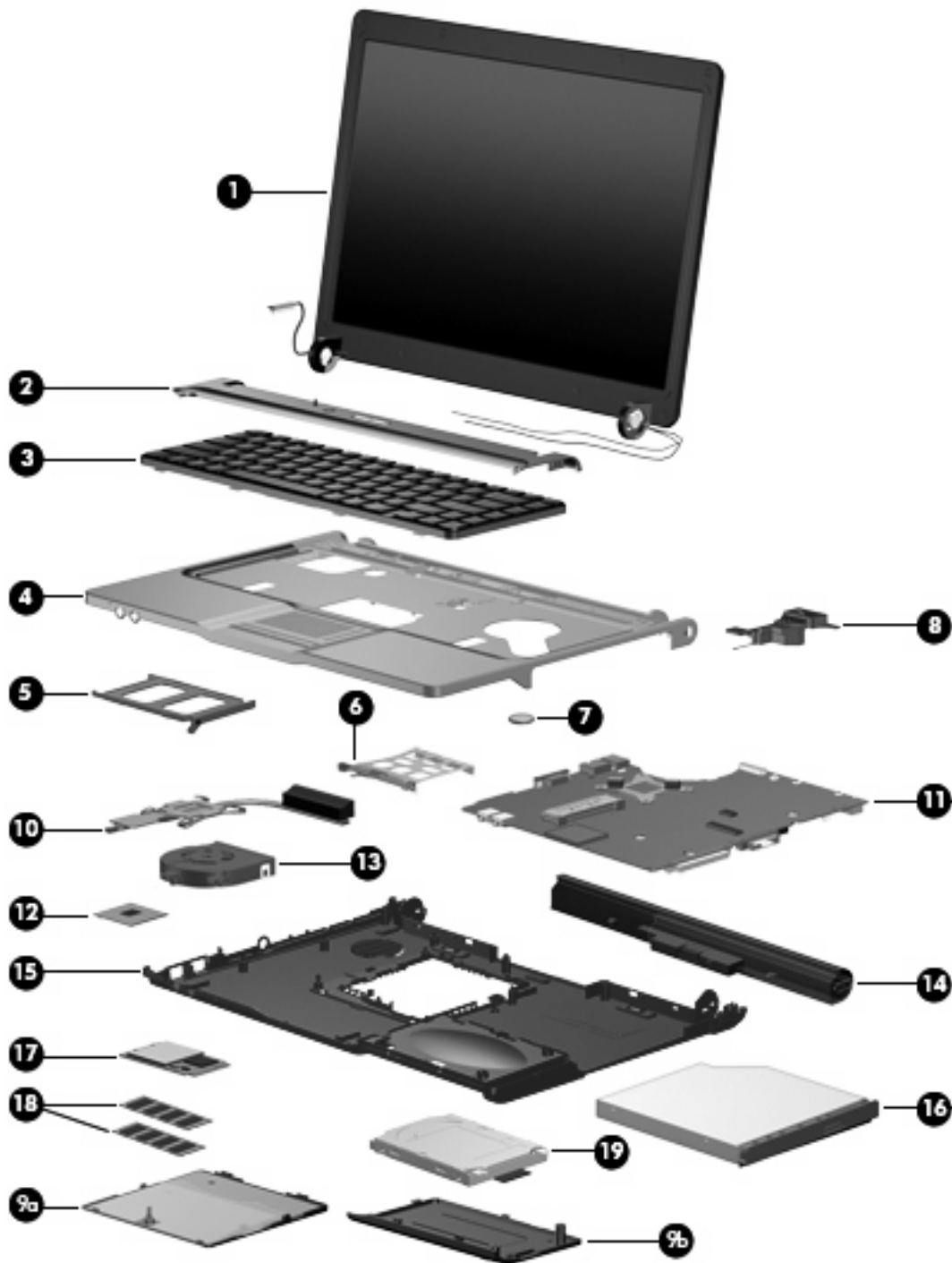
## 3 Illustrated parts catalog

### Serial number location

When ordering parts or requesting information, provide the computer serial number and model number located on the bottom of the computer.



# Computer major components



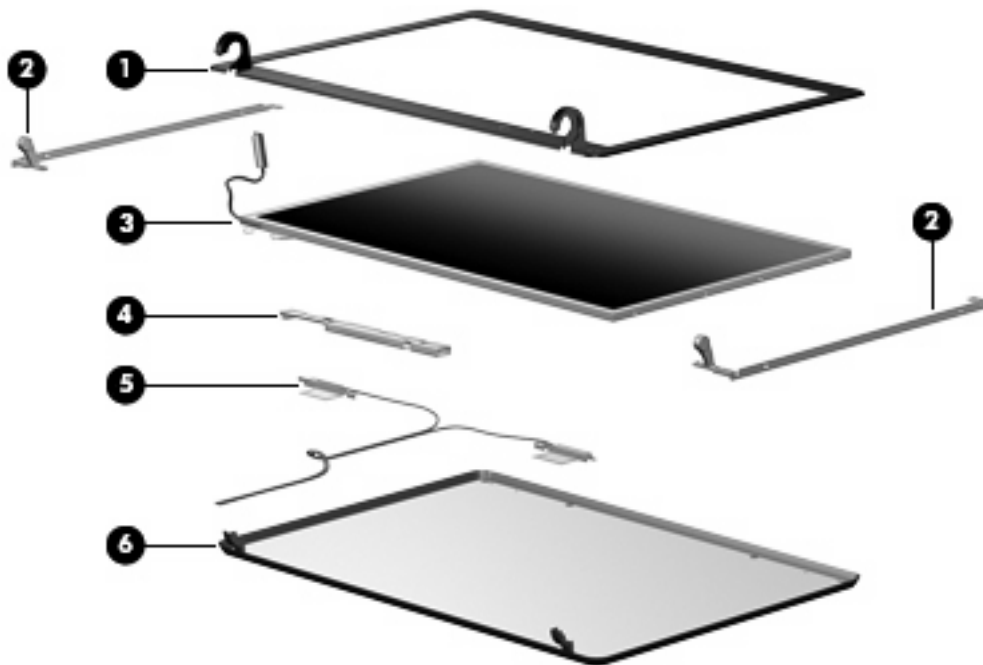
Item	Description	Spare part number
(1)	<b>Display assemblies</b>	
	14.1-inch, WXGA BrightView display assembly for use only with computer models with wireless LAN capability (includes wireless antenna transceivers and cables)	448328-001

<b>Item</b>	<b>Description</b>	<b>Spare part number</b>
	14.1-inch, WXGA BrightView display assembly for use only with computer models without wireless LAN capability	448327-001
<b>(2)</b>	<b>Switch covers</b>	
	For use only with computer models with wireless LAN capability (includes wireless button and wireless light)	438561-001
	For use only with computer models without wireless LAN capability	438560-001
<b>(3)</b>	<b>Keyboards</b>	
	Brazil	438531-201
	The Czech Republic	438531-221
	The Netherlands and Europe	438531-021
	France	438531-051
	Greece	438231-151
	Hungary	438231-211
	Israel	438531-BB1
	Japan	438531-291
	Korea	438531-AD1
	Latin America	438231-161
	Poland	438231-241
	Russia	438231-251
	Saudi Arabia	438231-171
	Slovakia	438231-231
	Slovenia	438231-BA1
	South Africa	438231-AR1
	Thailand	438231-281
	Turkey	438231-141
	The United Kingdom	438231-031
	The United States	438231-001
<b>(4)</b>	<b>Top cover</b> (includes TouchPad and TouchPad cable)	438522-001
	<b>TouchPad cable</b> (not illustrated)	438562-001
<b>(5)</b>	<b>PC Card slot bezel</b>	438527-001
<b>(6)</b>	<b>PC Card assembly</b>	438551-001
<b>(7)</b>	<b>RTC battery</b>	438556-001
<b>(8)</b>	<b>Speaker</b>	438559-001
	<b>Plastics/Hardware Kit</b>	448341-001

Item	Description	Spare part number
<b>(9a)</b>	Memory/WLAN module compartment cover (includes 1 captive screw, secured by a C clip)	
<b>(9b)</b>	Hard drive cover (includes 2 captive screws, secured by C clips)	
<b>(10)</b>	<b>Heat sink</b> (includes thermal material)	448336-001
<b>(11)</b>	<b>System boards</b>	
	For use only with computer models with Intel Core processors and WLAN capability	448339-001
	For use only with computer models with Intel Celeron M processors and WLAN capability	448337-001
	For use only with computer models without WLAN capability	448338-001
<b>(12)</b>	<b>Processors</b> (include thermal material)	
	Intel Core Solo T1400 1.83-GHz processor	448326-001
	Intel Core Solo T1300 1.66-GHz processor	448325-001
	Intel Core Duo T2300E 1.66-GHz processor	448324-001
	Intel Core Duo T2300 1.66-GHz processor	448323-001
	Intel Celeron M 420 1.60-GHz processor	448322-001
	Intel Celeron M 410 1.46-GHz processor	448321-001
<b>(13)</b>	<b>Fan assembly</b>	438528-001
<b>(14)</b>	<b>4-cell, 2.2-Ah, 32-Wh Battery</b>	438518-001
<b>(15)</b>	<b>Base enclosure</b> (includes 6 rubber feet, not illustrated)	438517-001
	<b>Rubber Feet Kit</b> (includes 6 rubber feet, not illustrated)	438557-001
<b>(16)</b>	<b>Optical drives</b> (include bezel and optical drive bracket)	
	DVD±RW and CD-RW Super-Multi Double-Layer Combo Drive	438523-001
	DVD/CD-RW Combo Drive	438524-001
<b>(17)</b>	<b>WLAN modules</b>	
	802.11a/b/g WLAN modules:	
	<ul style="list-style-type: none"> <li>For use in Antigua and Barbuda, Argentina, Australia, the Bahamas, Barbados, Brunei, Canada, Chile, the Dominican Republic, Guam, Guatemala, Hong Kong, India, Indonesia, Malaysia, Mexico, New Zealand, Panama, Paraguay, Saudi Arabia, Taiwan, the United States, and Vietnam</li> </ul>	407576-001
	<ul style="list-style-type: none"> <li>For use in Aruba, Austria, Azerbaijan, Bahrain, Belgium, Bermuda, Brazil, Bulgaria, the Cayman Islands, Colombia, Croatia, Cyprus, the Czech Republic, Denmark, Egypt, El Salvador, Estonia, Finland, France, Georgia, Germany, Greece, Hungary, Iceland, Ireland, Italy, Jordan, Latvia, Lebanon, Liechtenstein, Lithuania, Luxembourg, Malta, Monaco, the Netherlands, Norway, Oman, the Philippines, Poland, Portugal, Romania, Russia, Serbia and Montenegro, Singapore, Slovakia, Slovenia, South Africa, Spain, Sri Lanka, Sweden, Switzerland, Turkey, the United Kingdom, and Uzbekistan</li> </ul>	407576-002
	<ul style="list-style-type: none"> <li>For use in Ecuador, Haiti, Honduras, Pakistan, the People's Republic of China, Peru, Qatar, South Korea, Uruguay, and Venezuela</li> </ul>	407576-003
	<ul style="list-style-type: none"> <li>For use in Japan</li> </ul>	407576-291
	802.11b/g WLAN modules:	

Item	Description	Spare part number
	<ul style="list-style-type: none"> <li>For use in Canada and the United States</li> </ul>	407107-001
	<ul style="list-style-type: none"> <li>For use in Algeria, Andorra, Argentina, Australia, Austria, Bahrain, Bangladesh, Belarus, Belgium, Bolivia, Brazil, Brunei, Bulgaria, Chile, Colombia, Costa Rica, Croatia, Cyprus, Czech Republic, Denmark, Ecuador, Egypt, El Salvador, Estonia, Finland, France, Germany, Gibraltar, Greece, Guatemala, Honduras, Hong Kong, Hungary, Iceland, India, Indonesia, Ireland, Israel, Italy, Jordan, Kuwait, Latvia, Lebanon, Liberia, Liechtenstein, Lithuania, Luxembourg, Macedonia, Malaysia, Mexico, Morocco, Netherlands, New Zealand, Nicaragua, Norway, Oman, Pakistan, Panama, Paraguay, People's Republic of China, Peru, Philippines, Poland, Portugal, Qatar, Romania, Russia, Saudi Arabia, Singapore, Slovakia, Slovenia, South Africa, South Korea, Spain, Sri Lanka, Sweden, Switzerland, Taiwan, Thailand, Tunisia, Turkey, Ukraine, United Arab Emirates, United Kingdom, Uruguay, Venezuela, Vietnam, and Yemen</li> </ul>	407107-002
	<ul style="list-style-type: none"> <li>For use in Japan</li> </ul>	407107-291
<b>(18)</b>	<b>Memory modules</b> (667-MHz, PC2-5300, 1-DIMM)	
	For use in all countries or regions except Brazil:	
	<ul style="list-style-type: none"> <li>1024-MB</li> </ul>	409060-001
	<ul style="list-style-type: none"> <li>512-MB</li> </ul>	447518-001
	<ul style="list-style-type: none"> <li>256-MB</li> </ul>	447517-001
	For use only in Brazil:	
	<ul style="list-style-type: none"> <li>1024-MB</li> </ul>	448329-001
	<ul style="list-style-type: none"> <li>512-MB</li> </ul>	448331-001
	<ul style="list-style-type: none"> <li>256-MB</li> </ul>	448330-001
<b>(19)</b>	<b>Hard drives</b> (include hard drive bracket and connector)	
	120 GB, 5400-rpm	435775-001
	80 GB, 5400-rpm	435773-001

## Display assembly components



Item	Description	Spare part number
(1)	<b>Display bezel</b>	438535-001
(2)	<b>Display Bracket/Hinge Kit</b>	448335-001
(3)	<b>14.1-inch, WXGA, BrightView display panel</b>	448333-001
(4)	<b>Display inverter</b>	448332-001
(5)	<b>Wireless Antenna Kit</b> (includes transceivers and cables)	438516-001
(6)	<b>Display enclosures</b>	
	For use only with computer models with wireless LAN capability (includes logo and wireless antenna transceivers and cables)	438539-001
	For use only with computer models without wireless LAN capability (includes logo)	438538-001
	<b>Display Cable Kit</b> (not illustrated)	448334-001
	<b>Display Label Kit</b> (not illustrated)	448340-001
	<b>Display Screw Kit</b> (not illustrated)	438543-001
	<b>Display Screw Cover Kit</b> (not illustrated)	438542-001



## Plastics/Hardware Kit



Item	Description	Spare part number
	<b>Plastics/Hardware Kit</b>	448341-001
(1)	Hard drive cover (includes 2 captive screws, secured by C clips)	
(2)	Memory/WLAN module compartment cover (includes 1 captive screw, secured by a C clip)	

# Mass storage devices



Item	Description	Spare part number
(1)	<b>Hard drives</b> (include frame and connector)	
	120-GB, 5400-rpm	435775-001
	80-GB, 5400-rpm	435773-001
(2)	<b>Optical drives</b> (include bezel and bracket)	
	DVD±RW and CD-RW Super-Multi, Double-Layer Combo Drive	438523-001
	DVD/CD-RW Combo Drive	438524-001

## Miscellaneous parts

Description	Spare part number
<b>65-watt AC adapter</b>	417220-001
<b>Power cords:</b>	
Australia	350055-011
Brazil	350055-201
Denmark	350055-081
Europe	350055-021
French Canada	350055-DB1
Israel	350055-BB1
Italy	350055-061
Japan	350055-291
Korea	350055-AD1
People's Republic of China	350055-AA1
Switzerland	350055-BG1
The United Kingdom	350055-031
The United States	350055-001
<b>Screw Kit</b>	438558-001
<ul style="list-style-type: none"><li>• Phillips PM3.0×3.0 screw</li><li>• Phillips PM2.5×8.0 captive screw</li><li>• Phillips PM2.5×6.0 screw</li><li>• Phillips PM2.0×9.0 screw</li><li>• Phillips PM2.0×3.0 screw</li></ul>	

# Sequential part number listing

Spare part number	Description
350055-001	Power cord use in the United States
350055-011	Power cord for use in Australia
350055-021	Power cord for use in Europe
350055-031	Power cord for use in the United Kingdom
350055-061	Power cord for use in Italy
350055-081	Power cord for use in Denmark
350055-201	Power cord for use in Brazil
350055-291	Power cord for use in Japan
350055-AA1	Power cord for use in the People's Republic of China
350055-AD1	Power cord for use in Korea
350055-BB1	Power cord for use in Israel
350055-BG1	Power cord for use in Switzerland
350055-DB1	Power cord for use in French Canada
407107-001	802.11b/g WLAN module for use in Canada and the United States
407107-002	802.11b/g WLAN module for use in Algeria, Andorra, Argentina, Australia, Austria, Bahrain, Bangladesh, Belarus, Belgium, Bolivia, Brazil, Brunei, Bulgaria, Chile, Colombia, Costa Rica, Croatia, Cyprus, Czech Republic, Denmark, Ecuador, Egypt, El Salvador, Estonia, Finland, France, Germany, Gibraltar, Greece, Guatemala, Honduras, Hong Kong, Hungary, Iceland, India, Indonesia, Ireland, Israel, Italy, Jordan, Kuwait, Latvia, Lebanon, Liberia, Liechtenstein, Lithuania, Luxembourg, Macedonia, Malaysia, Mexico, Morocco, Netherlands, New Zealand, Nicaragua, Norway, Oman, Pakistan, Panama, Paraguay, People's Republic of China, Peru, Philippines, Poland, Portugal, Qatar, Romania, Russia, Saudi Arabia, Singapore, Slovakia, Slovenia, South Africa, South Korea, Spain, Sri Lanka, Sweden, Switzerland, Taiwan, Thailand, Tunisia, Turkey, Ukraine, United Arab Emirates, United Kingdom, Uruguay, Venezuela, Vietnam, and Yemen
407107-291	802.11b/g WLAN module for use in Japan
407576-001	802.11a/b/g WLAN module for use in Antigua and Barbuda, Argentina, Australia, the Bahamas, Barbados, Brunei, Canada, Chile, the Dominican Republic, Guam, Guatemala, Hong Kong, India, Indonesia, Malaysia, Mexico, New Zealand, Panama, Paraguay, Saudi Arabia, Taiwan, the United States, and Vietnam
407576-002	802.11a/b/g WLAN module for use in Aruba, Austria, Azerbaijan, Bahrain, Belgium, Bermuda, Brazil, Bulgaria, the Cayman Islands, Colombia, Croatia, Cyprus, the Czech Republic, Denmark, Egypt, El Salvador, Estonia, Finland, France, Georgia, Germany, Greece, Hungary, Iceland, Ireland, Italy, Jordan, Latvia, Lebanon, Liechtenstein, Lithuania, Luxembourg, Malta, Monaco, the Netherlands, Norway, Oman, the Philippines, Poland, Portugal, Romania, Russia, Serbia and Montenegro, Singapore, Slovakia, Slovenia, South Africa, Spain, Sri Lanka, Sweden, Switzerland, Turkey, the United Kingdom, and Uzbekistan
407576-003	802.11a/b/g WLAN module for use in Ecuador, Haiti, Honduras, Pakistan, the People's Republic of China, Peru, Qatar, South Korea, Uruguay, and Venezuela
407576-291	802.11a/b/g WLAN module for use in Japan
409060-001	1024-MB, 667-MHz, PC2-5300, 1-DIMM memory module for use in all countries and regions except Brazil

<b>Spare part number</b>	<b>Description</b>
417220-001	65-watt AC adapter
435773-001	80-GB, 5400-rpm hard drive (includes hard drive bracket and connector)
435775-001	120-GB, 5400-rpm hard drive (includes hard drive bracket and connector)
438516-001	Wireless Antenna Kit (includes wireless antenna transceivers and cables)
438517-001	Base enclosure (includes 6 rubber feet)
438518-001	4-cell, 2.2-Ah, 32-Wh Battery
438522-001	Top cover (includes TouchPad and TouchPad cable)
438523-001	DVD±RW and CD-RW Super-Multi Double-Layer Combo Drive (includes bezel and optical drive bracket)
438524-001	DVD/CD-RW Combo Drive (includes bezel and optical drive bracket)
438527-001	PC Card slot bezel
438528-001	Fan assembly
438531-001	Keyboard for use in the United States
438531-021	Keyboard for use in the Netherlands and Europe
438531-031	Keyboard for use in the United Kingdom
438531-051	Keyboard for use in France
438531-141	Keyboard for use in Turkey
438531-151	Keyboard for use in Greece
438531-161	Keyboard for use in Latin America
438531-171	Keyboard for use in Saudi Arabia
438531-201	Keyboard for use in Brazil
438531-211	Keyboard for use in Hungary
438531-221	Keyboard for use in the Czech Republic
438531-231	Keyboard for use in Slovakia
438531-241	Keyboard for use in Poland
438531-251	Keyboard for use in Russia
438531-281	Keyboard for use in Thailand
438531-291	Keyboard for use in Japan
438531-AD1	Keyboard for use in Korea
438531-AR1	Keyboard for use in South Africa
438531-BA1	Keyboard for use in Slovenia
438531-BB1	Keyboard for use in Israel
438535-001	Display bezel
438538-001	Display enclosure for use only with computer models without wireless LAN capability (includes logo)

<b>Spare part number</b>	<b>Description</b>
438539-001	Display enclosure for use only with computer models with wireless LAN capability (includes logo and wireless antenna transceivers and cables)
438542-001	Display Screw Cover Kit
438543-001	Display Screw Kit
438551-001	PC Card assembly
438556-001	RTC battery
438557-001	Rubber Feet Kit
438558-001	Screw Kit
438559-001	Speaker
438560-001	Switch cover for use only with computer models without wireless LAN capability
438561-001	Switch cover for use only with computer models with wireless LAN capability (includes wireless button and wireless light)
438562-001	TouchPad cable
447517-001	512-MB, 667-MHz, PC2-5300, 1-DIMM memory module for use in all countries and regions except Brazil
447518-001	256-MB, 667-MHz, PC2-5300, 1-DIMM memory module for use in all countries and regions except Brazil
448321-001	Intel Celeron M 410 1.46-GHz processor
448322-001	Intel Celeron M 420 1.60-GHz processor
448323-001	Intel Core Duo T2300 1.66-GHz processor
448324-001	Intel Core Duo T2300E 1.66-GHz processor
448325-001	Intel Core Solo T1300 1.66-GHz processor
448326-001	Intel Core Solo T1400 1.83-GHz processor
448327-001	14.1-inch, WXGA BrightView display assembly for use only with computer models without wireless LAN capability
448328-001	14.1-inch, WXGA BrightView display assembly for use only with computer models with WLAN capability (includes wireless antenna transceivers and cables)
448329-001	1024-MB, 667-MHz, PC2-5300, 1-DIMM memory module for use only in Brazil
448330-001	256-MB, 667-MHz, PC2-5300, 1-DIMM memory module for use only in Brazil
448331-001	512-MB, 667-MHz, PC2-5300, 1-DIMM memory module for use only in Brazil
448332-001	Display inverter
448333-001	14.1-inch, WXGA, BrightView display panel
448334-001	Display Cable Kit
448335-001	Display Bracket/Hinge Kit
448336-001	Heat sink (includes thermal material)
448337-001	For use only with computer models with Intel Celeron M processors and WLAN capability
448338-001	For use only with computer models without WLAN capability

<b>Spare part number</b>	<b>Description</b>
448339-001	For use only with computer models with Intel Core processors and WLAN capability
448340-001	Display Label Kit
448341-001	Plastics/Hardware Kit





---

# 4 Removal and replacement procedures

## Preliminary replacement requirements

### Tools required


You will need the following tools to complete the removal and replacement procedures:

- Magnetic screwdriver
- Phillips PO and P1 screwdrivers
- Flat-bladed screwdriver

### Service considerations

The following sections include some of the considerations that you should keep in mind during disassembly and assembly procedures.

---

 **NOTE:** As you remove each subassembly from the computer, place the subassembly (and all accompanying screws) away from the work area to prevent damage.

---

### Plastic parts

Using excessive force during disassembly and reassembly can damage plastic parts. Use care when handling the plastic parts. Apply pressure only at the points designated in the maintenance instructions.

### Cables and connectors

---

△ **CAUTION:** When servicing the computer, be sure that cables are placed in their proper locations during the reassembly process. Improper cable placement can damage the computer.

---

Cables must be handled with extreme care to avoid damage. Apply only the tension required to unseat or seat the cables during removal and insertion. Handle cables by the connector whenever possible. In all cases, avoid bending, twisting, or tearing cables. Be sure that cables are routed in such a way that they cannot be caught or snagged by parts being removed or replaced. Handle flex cables with extreme care; these cables tear easily.

## Drive handling

- 
- △ **CAUTION:** Drives are fragile components that must be handled with care. To prevent damage to the computer, damage to a drive, or loss of information, observe these precautions:
- Before removing or inserting a hard drive, shut down the computer. If you are unsure whether the computer is off or in Hibernation, turn the computer on, and then shut it down through the operating system.
- Before handling a drive, be sure that you are discharged of static electricity. While handling a drive, avoid touching the connector.
- Before removing a diskette drive or optical drive, be sure that a diskette or disc is not in the drive and be sure that the optical drive tray is closed.
- Handle drives on surfaces covered with at least one inch of shock-proof foam.
- Avoid dropping drives from any height onto any surface.
- After removing a hard drive, an optical drive, or a diskette drive, place it in a static-proof bag.
- Avoid exposing a hard drive to products that have magnetic fields, such as monitors or speakers.
- Avoid exposing a drive to temperature extremes or liquids.
- If a drive must be mailed, place the drive in a bubble pack mailer or other suitable form of protective packaging and label the package "FRAGILE."
- 

## Grounding guidelines

### Electrostatic discharge damage

Electronic components are sensitive to electrostatic discharge (ESD). Circuitry design and structure determine the degree of sensitivity. Networks built into many integrated circuits provide some protection, but in many cases, ESD contains enough power to alter device parameters or melt silicon junctions.

A discharge of static electricity from a finger or other conductor can destroy static-sensitive devices or microcircuitry. Even if the spark is neither felt nor heard, damage may have occurred.

An electronic device exposed to ESD may not be affected at all and can work perfectly throughout a normal cycle. Or the device may function normally for a while, then degrade in the internal layers, reducing its life expectancy.

- 
- △ **CAUTION:** To prevent damage to the computer when you are removing or installing internal components, observe these precautions:

Keep components in their electrostatic-safe containers until you are ready to install them.

Use nonmagnetic tools.

Before touching an electronic component, discharge static electricity by using the guidelines described in this section.

Avoid touching pins, leads, and circuitry. Handle electronic components as little as possible.

If you remove a component, place it in an electrostatic-safe container.

---

The following table shows how humidity affects the electrostatic voltage levels generated by different activities.

△ **CAUTION:** A product can be degraded by as little as 700 V.

Typical electrostatic voltage levels			
Event	Relative humidity		
	10%	40%	55%
Walking across carpet	35,000 V	15,000 V	7,500 V
Walking across vinyl floor	12,000 V	5,000 V	3,000 V
Motions of bench worker	6,000 V	800 V	400 V
Removing DIPS from plastic tube	2,000 V	700 V	400 V
Removing DIPS from vinyl tray	11,500 V	4,000 V	2,000 V
Removing DIPS from Styrofoam	14,500 V	5,000 V	3,500 V
Removing bubble pack from PCB	26,500 V	20,000 V	7,000 V
Packing PCBs in foam-lined box	21,000 V	11,000 V	5,000 V

## Packaging and transporting guidelines

Follow these grounding guidelines when packaging and transporting equipment:

- To avoid hand contact, transport products in static-safe tubes, bags, or boxes.
- Protect ESD-sensitive parts and assemblies with conductive or approved containers or packaging.
- Keep ESD-sensitive parts in their containers until the parts arrive at static-free workstations.
- Place items on a grounded surface before removing items from their containers.
- Always be properly grounded when touching a component or assembly.
- Store reusable ESD-sensitive parts from assemblies in protective packaging or nonconductive foam.
- Use transporters and conveyors made of antistatic belts and roller bushings. Be sure that mechanized equipment used for moving materials is wired to ground and that proper materials are selected to avoid static charging. When grounding is not possible, use an ionizer to dissipate electric charges.

## Workstation guidelines

Follow these grounding workstation guidelines:

- Cover the workstation with approved static-shielding material.
- Use a wrist strap connected to a properly grounded work surface and use properly grounded tools and equipment.
- Use conductive field service tools, such as cutters, screwdrivers, and vacuums.
- When fixtures must directly contact dissipative surfaces, use fixtures made only of static-safe materials.
- Keep the work area free of nonconductive materials, such as ordinary plastic assembly aids and Styrofoam.

- Handle ESD-sensitive components, parts, and assemblies by the case or PCM laminate. Handle these items only at static-free workstations.
- Avoid contact with pins, leads, or circuitry.
- Turn off power and input signals before inserting or removing connectors or test equipment.

## Equipment guidelines

Grounding equipment must include either a wrist strap or a foot strap at a grounded workstation.

- When seated, wear a wrist strap connected to a grounded system. Wrist straps are flexible straps with a minimum of one megohm  $\pm 10\%$  resistance in the ground cords. To provide proper ground, wear a strap snugly against the skin at all times. On grounded mats with banana-plug connectors, use alligator clips to connect a wrist strap.
- When standing, use foot straps and a grounded floor mat. Foot straps (heel, toe, or boot straps) can be used at standing workstations and are compatible with most types of shoes or boots. On conductive floors or dissipative floor mats, use foot straps on both feet with a minimum of one megohm resistance between the operator and ground. To be effective, the conductive strips must be worn in contact with the skin.

The following grounding equipment is recommended to prevent electrostatic damage:

- Antistatic tape
- Antistatic smocks, aprons, and sleeve protectors
- Conductive bins and other assembly or soldering aids
- Nonconductive foam
- Conductive tabletop workstations with ground cords of one megohm resistance
- Static-dissipative tables or floor mats with hard ties to the ground
- Field service kits
- Static awareness labels
- Material-handling packages
- Nonconductive plastic bags, tubes, or boxes
- Metal tote boxes
- Electrostatic voltage levels and protective materials

The following table lists the shielding protection provided by antistatic bags and floor mats.

Material	Use	Voltage protection level
Antistatic plastic	Bags	1,500 V
Carbon-loaded plastic	Floor mats	7,500 V
Metallized laminate	Floor mats	5,000 V

## Unknown user password

If the computer you are servicing has an unknown user password, follow these steps to clear the password.



---

**NOTE:** These steps also clear CMOS.

---

Before disassembling the computer, follow these steps:

1. Shut down the computer. If you are unsure whether the computer is off or in Hibernation, turn the computer on, and then shut it down through the operating system.
2. Disconnect all external devices connected to the computer.
3. Disconnect the power from the computer by first unplugging the power cord from the AC outlet and then unplugging the AC adapter from the computer.
4. Remove the battery (see [Battery on page 31](#)).
5. Remove the real-time clock (RTC) battery (see [RTC battery on page 52](#)).
6. Wait approximately 5 minutes.
7. Replace the RTC battery and reassemble the computer.
8. Connect AC power to the computer. Do not reinsert any batteries at this time.
9. Turn on the computer.

All passwords and all CMOS settings have been cleared.

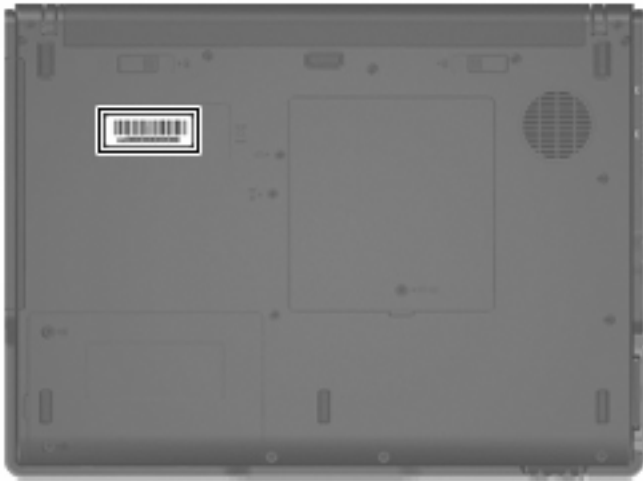
# Component replacement procedures

This chapter provides removal and replacement procedures.

There are as many as 59 screws, in 7 different sizes, that must be removed, replaced, or loosened when servicing the computer. Make special note of each screw and screw lock size and location during removal and replacement.

## Serial number

Report the computer serial number to HP when requesting information or ordering spare parts. The serial number is located on the bottom of the computer.



## Battery

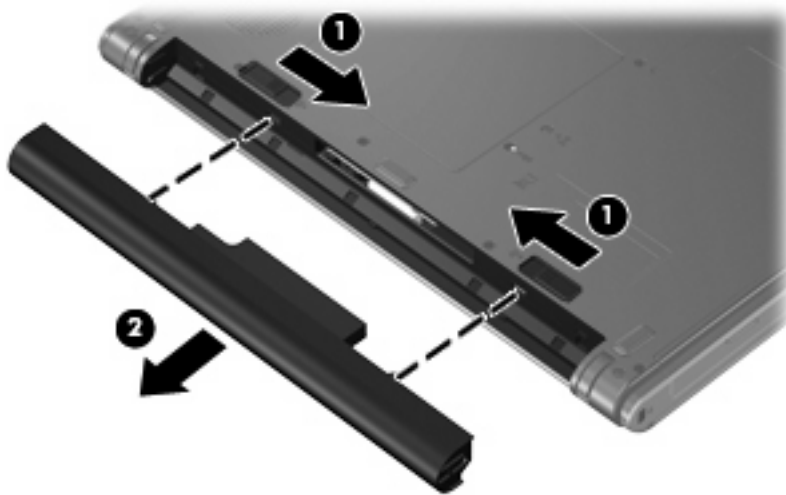
Description	Spare part number
4-cell, 2.2-Ah, 32-Wh Battery	438518-001

Before disassembling the computer, follow these steps:

1. Shut down the computer. If you are unsure whether the computer is off or in Hibernation, turn the computer on, and then shut it down through the operating system.
2. Disconnect all external devices connected to the computer.
3. Disconnect the power from the computer by first unplugging the power cord from the AC outlet and then unplugging the AC adapter from the computer.

Remove the battery:

1. Turn the computer upside down on a flat surface, with the rear panel toward you.
2. Slide the battery release latches **(1)** to release the battery.
3. Remove the battery **(2)**.



Install the battery by inserting it into the battery bay until you hear a click.

## Hard drive

Description	Spare part number
120-GB, 5400-rpm	435775-001
80-GB, 5400-rpm	435773-001

Before disassembling the computer, follow these steps:

1. Shut down the computer. If you are unsure whether the computer is off or in Hibernation, turn the computer on, and then shut it down through the operating system.
2. Disconnect all external devices connected to the computer.
3. Disconnect the power from the computer by first unplugging the power cord from the AC outlet and then unplugging the AC adapter from the computer.
4. Remove the battery (see [Battery on page 31](#)).

Remove the hard drive:

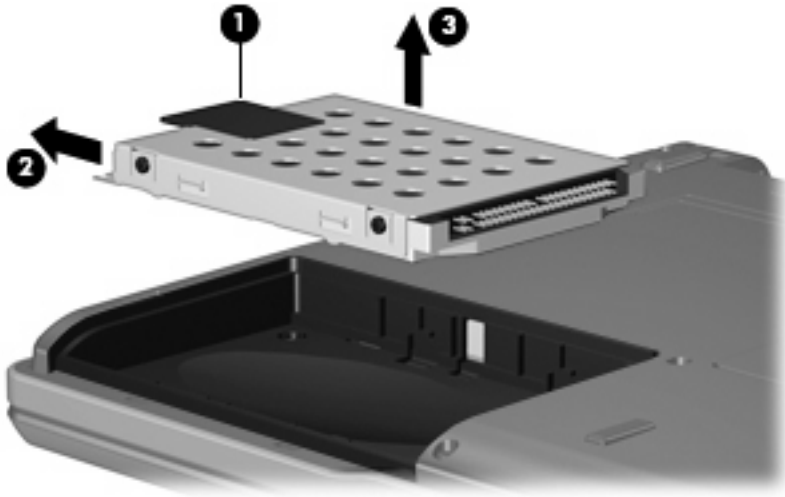
1. Position the computer with the front toward you.
2. Loosen the two Phillips PM2.5×8.0 screws **(1)** that secure the hard drive cover to the computer.
3. Lift the left side of the hard drive cover **(2)**, swing it to right, and remove the cover. The hard drive cover is included in the Plastics/Hardware Kit, spare part number 448341-001.



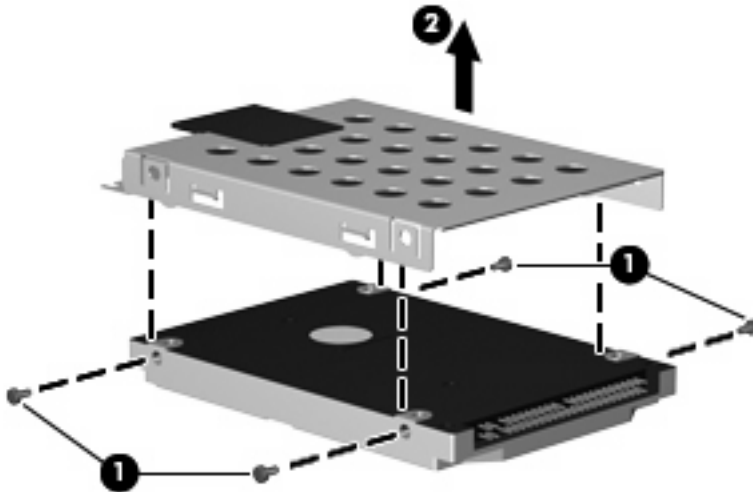
4. Grasp the Mylar tab **(1)** on the hard drive and slide the hard drive **(2)** to the left to disconnect it from the system board.



5. Remove the hard drive **(3)** from the hard drive bay.



6. If it is necessary to replace the hard drive bracket, remove the four Phillips PM3.0×3.0 hard drive bracket screws **(1)** from each side of the hard drive.
7. Lift the bracket **(2)** straight up to remove it from the hard drive.

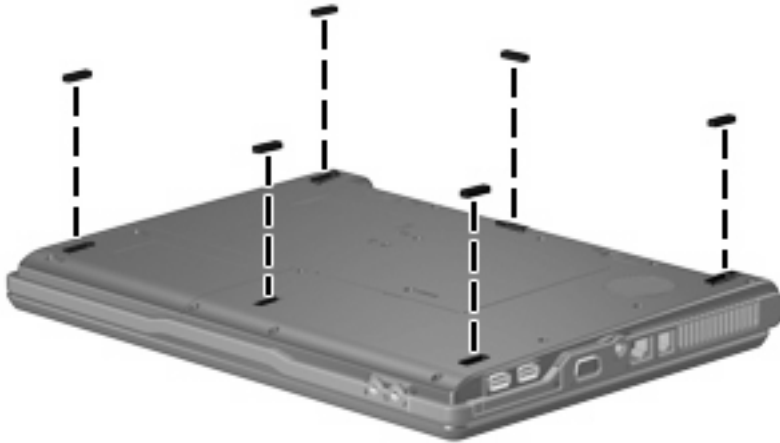


Reverse this procedure to reassemble and install the hard drive.

## Computer feet

Description	Spare part number
Rubber Feet Kit	438557-001

The computer feet are adhesive-backed rubber pads. There are 6 rubber feet. The feet attach to the base enclosure in the locations illustrated below.



## Memory module

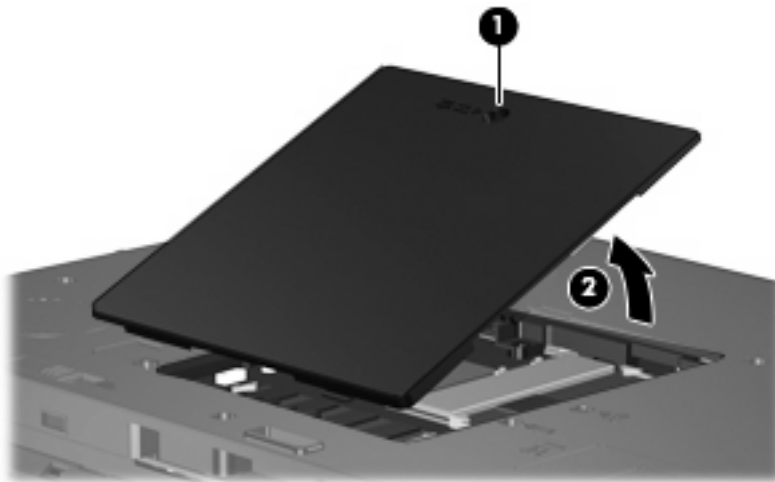
Description	Spare part number
For use in all countries and regions except Brazil	
1024-MB, PC2-5300, 1-DIMM	409060-001
512-MB, PC2-5300, 1-DIMM	447518-001
256-MB, PC2-5300, 1-DIMM	447517-001
For use only in Brazil	
1024-MB, PC2-5300, 1-DIMM	448329-001
512-MB, PC2-5300, 1-DIMM	448331-001
256-MB, PC2-5300, 1-DIMM	448330-001

Before removing the memory module, follow these steps:


1. Shut down the computer. If you are unsure whether the computer is off or in Hibernation, turn the computer on, and then shut it down through the operating system.
2. Disconnect all external devices connected to the computer.
3. Disconnect the power from the computer by first unplugging the power cord from the AC outlet and then unplugging the AC adapter from the computer.
4. Remove the battery (see [Battery on page 31](#)).

Remove the external memory module:

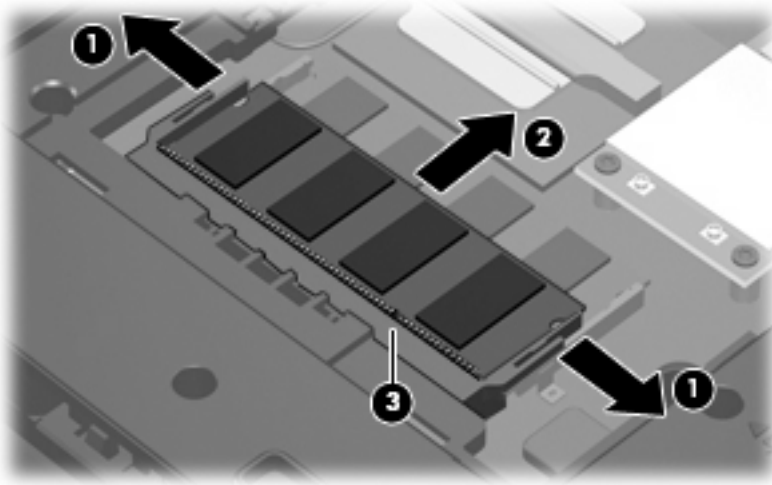
1. Position the computer with the rear panel toward you.
2. Loosen the Phillips PM2.5×8.0 screw **(1)** that secures the memory/WLAN module compartment cover to the computer.
3. Lift the front edge of the cover **(2)**, swing it toward you, and remove the cover. The memory/WLAN module compartment cover is included in the Plastics/Hardware Kit, spare part number 448341-001.



4. Spread the retaining tabs **(1)** on each side of the memory module slot to release the memory module. (The edge of the module opposite the slot rises away from the computer.)
5. Remove the memory module **(2)** by pulling the module away from the slot at an angle.

 **NOTE:** Memory modules are designed with a notch **(3)** to prevent incorrect installation into the memory module slot.

---



Reverse this procedure to install a memory module.

## WLAN module


Description	Spare part number
802.11a/b/g WLAN modules:	
<ul style="list-style-type: none"> <li>For use in Antigua and Barbuda, Argentina, Australia, the Bahamas, Barbados, Brunei, Canada, Chile, the Dominican Republic, Guam, Guatemala, Hong Kong, India, Indonesia, Malaysia, Mexico, New Zealand, Panama, Paraguay, Saudi Arabia, Taiwan, the United States, and Vietnam</li> </ul>	407576-001
<ul style="list-style-type: none"> <li>For use in Aruba, Austria, Azerbaijan, Bahrain, Belgium, Bermuda, Brazil, Bulgaria, the Cayman Islands, Colombia, Croatia, Cyprus, the Czech Republic, Denmark, Egypt, El Salvador, Estonia, Finland, France, Georgia, Germany, Greece, Hungary, Iceland, Ireland, Italy, Jordan, Latvia, Lebanon, Liechtenstein, Lithuania, Luxembourg, Malta, Monaco, the Netherlands, Norway, Oman, the Philippines, Poland, Portugal, Romania, Russia, Serbia and Montenegro, Singapore, Slovakia, Slovenia, South Africa, Spain, Sri Lanka, Sweden, Switzerland, Turkey, the United Kingdom, and Uzbekistan</li> </ul>	407576-002
<ul style="list-style-type: none"> <li>For use in Ecuador, Haiti, Honduras, Pakistan, the People's Republic of China, Peru, Qatar, South Korea, Uruguay, and Venezuela</li> </ul>	407576-003
<ul style="list-style-type: none"> <li>For use in Japan</li> </ul>	407576-291
802.11b/g WLAN modules:	
<ul style="list-style-type: none"> <li>For use in Canada and the United States</li> </ul>	407107-001
<ul style="list-style-type: none"> <li>For use in For use in Algeria, Andorra, Argentina, Australia, Austria, Bahrain, Bangladesh, Belarus, Belgium, Bolivia, Brazil, Brunei, Bulgaria, Chile, Colombia, Costa Rica, Croatia, Cyprus, Czech Republic, Denmark, Ecuador, Egypt, El Salvador, Estonia, Finland, France, Germany, Gibraltar, Greece, Guatemala, Honduras, Hong Kong, Hungary, Iceland, India, Indonesia, Ireland, Israel, Italy, Jordan, Kuwait, Latvia, Lebanon, Liberia, Liechtenstein, Lithuania, Luxembourg, Macedonia, Malaysia, Mexico, Morocco, Netherlands, New Zealand, Nicaragua, Norway, Oman, Pakistan, Panama, Paraguay, People's Republic of China, Peru, Philippines, Poland, Portugal, Qatar, Romania, Russia, Saudi Arabia, Singapore, Slovakia, Slovenia, South Africa, South Korea, Spain, Sri Lanka, Sweden, Switzerland, Taiwan, Thailand, Tunisia, Turkey, Ukraine, United Arab Emirates, United Kingdom, Uruguay, Venezuela, Vietnam, and Yemen</li> </ul>	407107-002
<ul style="list-style-type: none"> <li>For use in Japan</li> </ul>	407107-291

Before removing the WLAN module, follow these steps:

1. Shut down the computer. If you are unsure whether the computer is off or in Hibernation, turn the computer on, and then shut it down through the operating system.
2. Disconnect all external devices connected to the computer.
3. Disconnect the power from the computer by first unplugging the power cord from the AC outlet and then unplugging the AC adapter from the computer.
4. Remove the battery (see [Battery on page 31](#)).
5. Remove the memory/WLAN module compartment cover (see [Memory module on page 35](#)).


Remove the WLAN module:

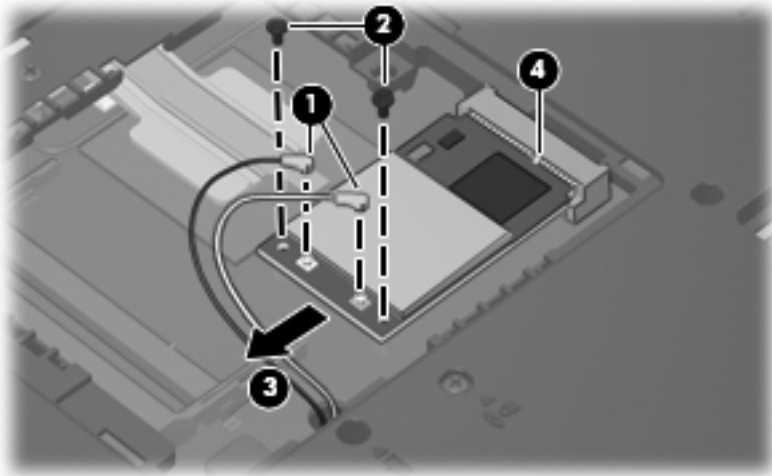
1. Disconnect the WLAN antenna cables **(1)** from the terminals on the WLAN module.

 **NOTE:** The black WLAN antenna cable is connected to the WLAN module “Main” terminal. The white WLAN antenna cable is connected to the WLAN module “Aux” terminal.

2. Remove the two Phillips PM2.0×4.0 screws **(2)** that secure the WLAN module to the computer. (The edge of the module opposite the slot rises away from the computer.)


3. Remove the WLAN module **(3)** by pulling the module away from the slot at an angle.

 **NOTE:** WLAN modules are designed with a notch **(4)** to prevent incorrect installation.



Reverse this procedure to install a WLAN module.

## Optical drive

 **NOTE:** All optical drive spare part kits include an optical drive bezel and optical drive bracket.

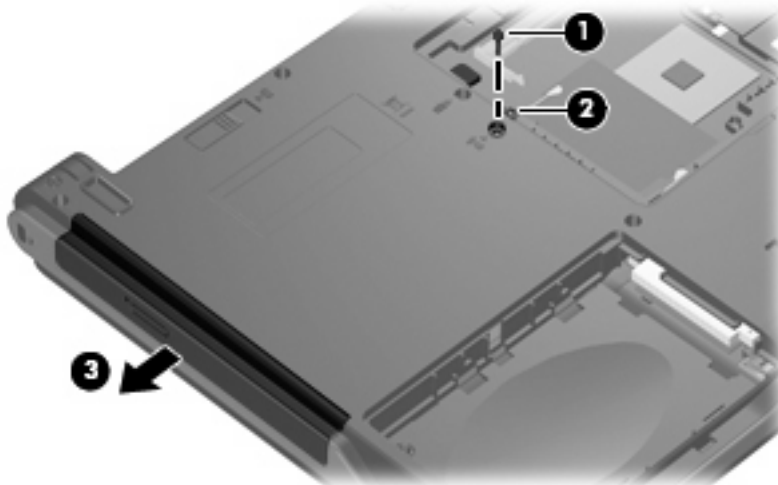
Description	Spare part number
DVD±RW and CD-RW Super-Multi Double-Layer Combo Drive	438523-001
DVD/CD-RW Combo Drive	438524-001

Before removing the optical drive, follow these steps:

1. Shut down the computer. If you are unsure whether the computer is off or in Hibernation, turn the computer on, and then shut it down through the operating system.
2. Disconnect all external devices connected to the computer.
3. Disconnect the power from the computer by first unplugging the power cord from the AC outlet and then unplugging the AC adapter from the computer.
4. Remove the battery (see [Battery on page 31](#)).
5. Remove the memory/WLAN module compartment cover (see [Memory module on page 35](#)).

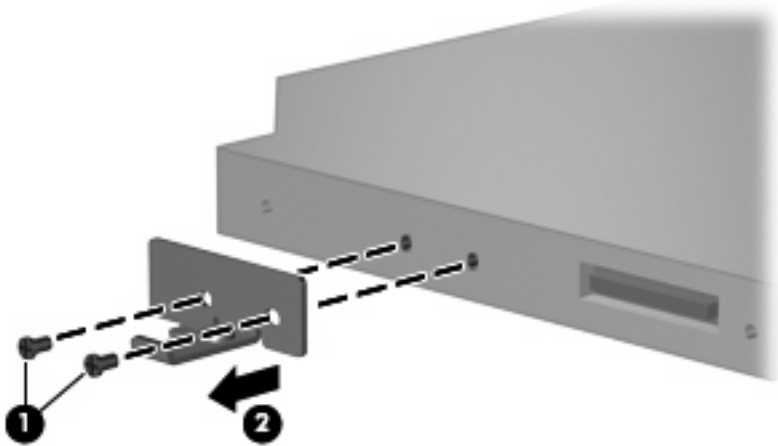
Remove the optical drive:

1. Position the computer with left side toward you.
2. Remove the Phillips PM2.0×9.0 screw **(1)** that secures the optical drive to the computer.
3. Use a flat-bladed tool to push the metal tab **(2)** toward the left side of the computer. (The optical drive partially removes from the optical drive bay.)
4. Remove the optical drive **(3)** from the computer.



5. If it is necessary to replace the optical drive bracket, remove the two Phillips PM2.0×3.0 screws **(1)** that secure the bracket to the optical drive.

6. Remove the optical drive bracket **(2)**.



Reverse this procedure to reassemble and install the optical drive.



## Switch cover

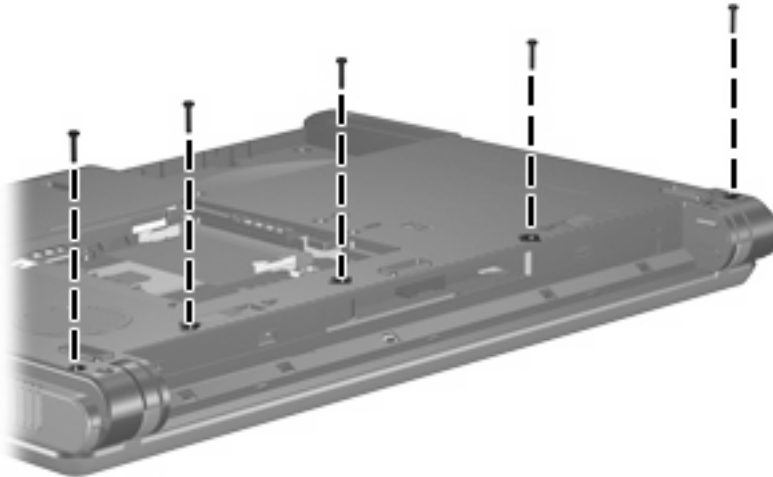
Description	Spare part number
For use only with computer models with wireless LAN capability (includes wireless button and wireless light)	438561-001
For use only with computer models without wireless LAN capability	438560-001

Before removing the switch cover, follow these steps:

1. Shut down the computer. If you are unsure whether the computer is off or in Hibernation, turn the computer on, and then shut it down through the operating system.
2. Disconnect all external devices connected to the computer.
3. Disconnect the power from the computer by first unplugging the power cord from the AC outlet and then unplugging the AC adapter from the computer.
4. Remove the battery (see [Battery on page 31](#)).

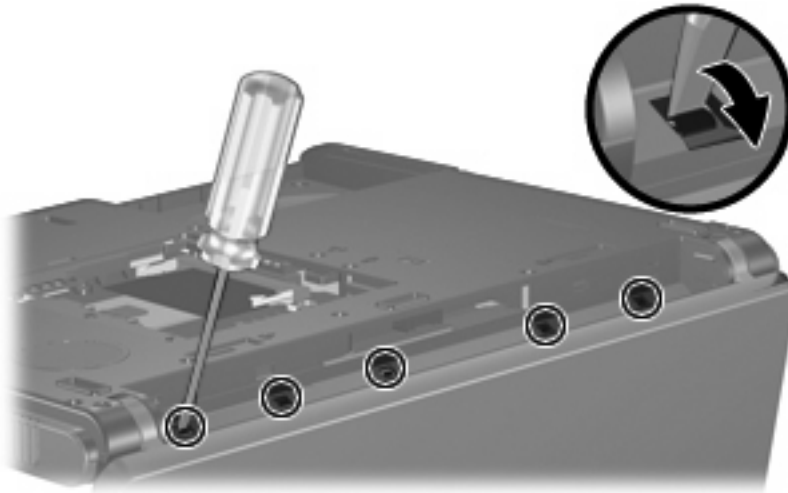
Remove the switch cover:

1. Turn the computer upside down, with the rear panel toward you.
2. Remove the five Phillips PM2.0×9.0 screws that secure the switch cover to the computer.



3. Partially open the computer.

4. Use a flat-bladed tool to gently pry the tabs on the switch cover out of the slots on the computer.



5. Turn the computer display-side up, with the front toward you.
6. Open the computer as far as possible.
7. Lift the rear edge of the switch cover and swing it forward.
8. Remove the switch cover.



Reverse this procedure to install the switch cover.

# Keyboard

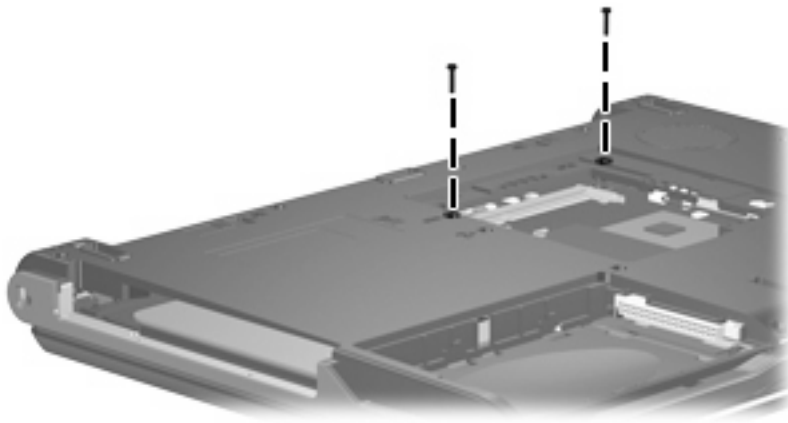
For use in:	Spare part number	For use in:	Spare part number
Brazil	438531-201	Poland	438531-241
The Czech Republic	438531-221	Russia	438531-251
The Netherlands and Europe	438531-021	Saudi Arabia	438531-171
France	438531-051	Slovakia	438531-231
Greece	438531-151	Slovenia	438531-BA1
Hungary	438531-211	South Africa	438531-AR1
Israel	438531-BB1	Thailand	438531-281
Japan	438531-291	Turkey	438531-141
Korea	438531-AD1	The United Kingdom	438531-031
Latin America	438531-161	The United States	438531-001

Before removing the keyboard, follow these steps:

1. Shut down the computer. If you are unsure whether the computer is off or in Hibernation, turn the computer on, and then shut it down through the operating system.
2. Disconnect all external devices connected to the computer.
3. Disconnect the power from the computer by first unplugging the power cord from the AC outlet and then unplugging the AC adapter from the computer.
4. Remove the battery (see [Battery on page 31](#)).
5. Remove the memory/WLAN module compartment cover (see [Memory module on page 35](#)).

Remove the keyboard:

1. Position the computer with the front toward you.
2. Remove the two Phillips PM2.0x9.0 screws that secure the keyboard to the computer.

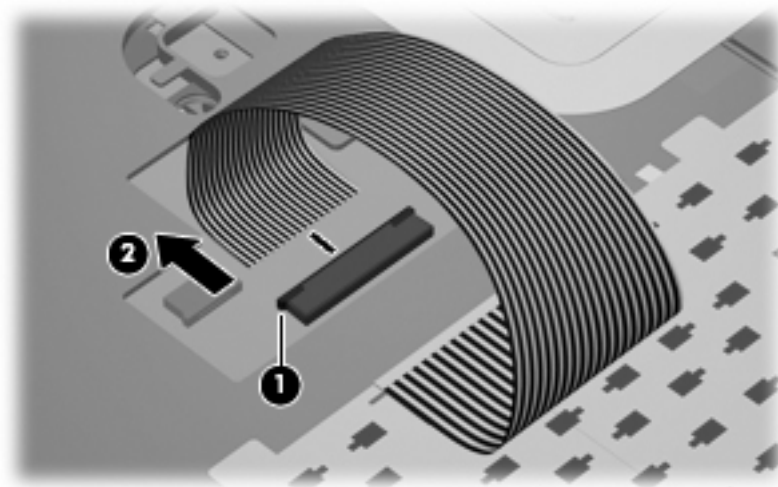


3. Turn the computer display-side up, with the front toward you.

4. Open the computer as far as possible.
5. Lift the rear edge of the keyboard and swing it toward you until it rests on the palm rest.



6. Release the zero insertion force (ZIF) connector **(1)** to which the keyboard cable is attached, and disconnect the keyboard cable **(2)**.



7. Remove the keyboard.

Reverse this procedure to install the keyboard.

# Display assembly

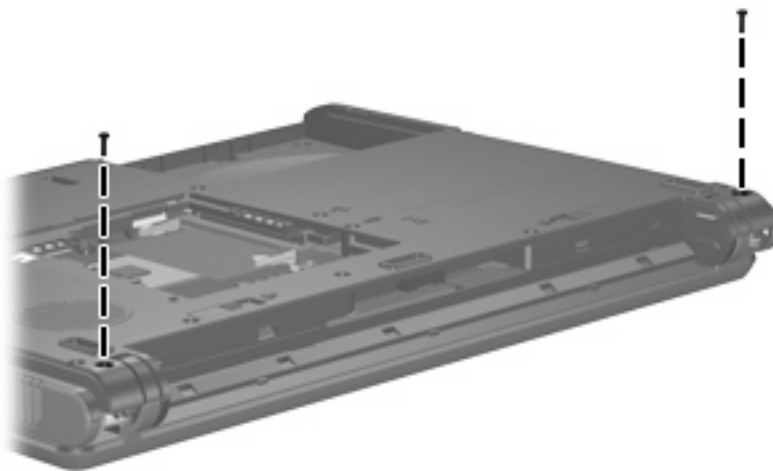
Description	Spare part number
14.1-inch, WXGA BrightView display assembly for use only with computer models with wireless LAN capability (includes wireless antenna transceivers and cables)	448328-001
14.1-inch, WXGA BrightView display assembly for use only with computer models without wireless LAN capability	448327-001

Before removing the display assembly, follow these steps:

1. Shut down the computer. If you are unsure whether the computer is off or in Hibernation, turn the computer on, and then shut it down through the operating system.
2. Disconnect all external devices connected to the computer.
3. Disconnect the power from the computer by first unplugging the power cord from the AC outlet and then unplugging the AC adapter from the computer.
4. Remove the battery (see [Battery on page 31](#)).
5. Remove the memory/WLAN module compartment cover (see [Memory module on page 35](#)) and disconnect the wireless antenna cables from the WLAN module (see [WLAN module on page 37](#)).
6. Remove the following components:
  - a. Switch cover (see [Switch cover on page 41](#))
  - b. Keyboard (see [Keyboard on page 43](#))

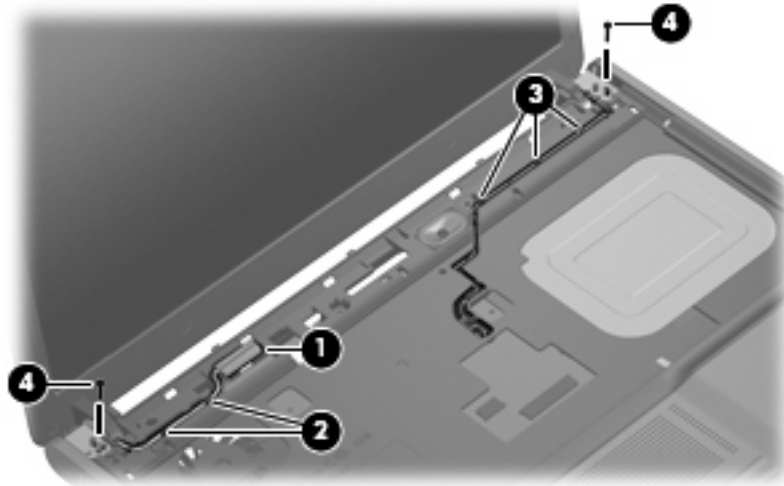
Remove the display assembly:

1. Close the computer and turn it upside down, with the rear panel toward you.
2. Remove the two Phillips PM2.0x7.0 screws that secure the display assembly to the computer.



3. Turn the computer display-side up, with the front toward you.
4. Open the computer until the display assembly is in an upright position.

5. Disconnect the display cable connector **(1)** from the system board and remove the display panel cable **(2)** from the clips and routing channel built into the top cover.
6. Remove the wireless antenna cables **(3)** from the clips and routing channel built into the top cover.
7. Remove the two Phillips PM2.0x9.0 screws **(4)** that secure the display assembly to the computer.



8. Lift the display assembly straight up and remove it.

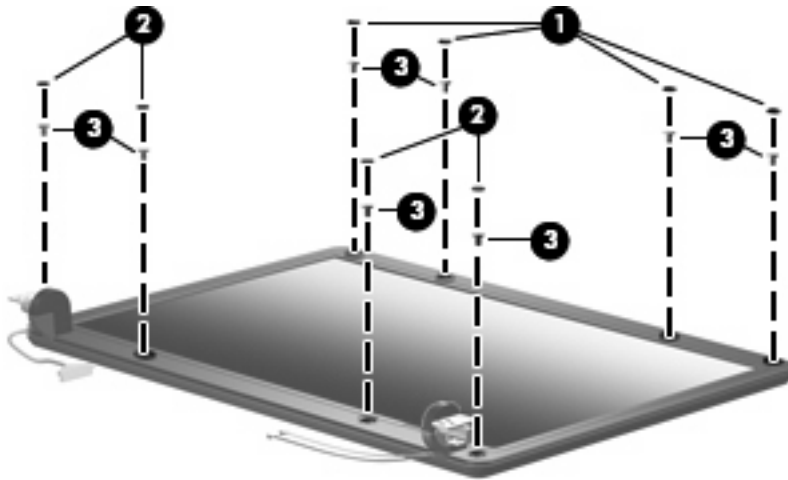


9. If it is necessary to replace the display bezel or any of the display assembly internal subcomponents, remove the following display bezel screw covers and screws:

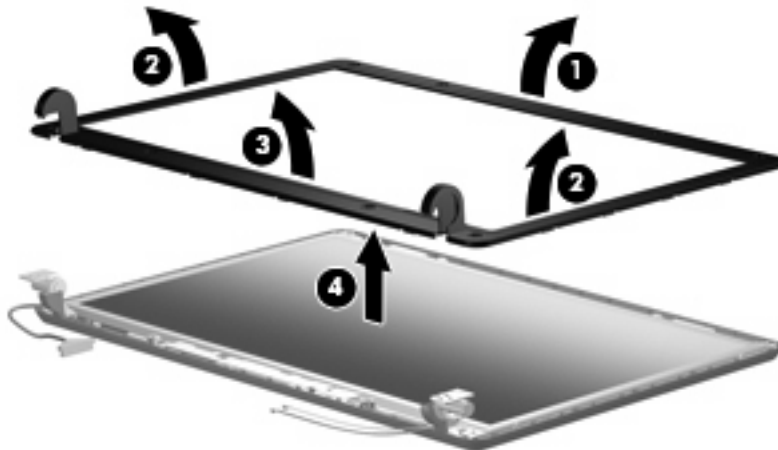
**(1)** Four round rubber screw covers on the display bezel top edge. The display bezel screw covers are available in the Display Screw Cover Kit, spare part number 438542-001. All screws used to secure display assembly internal subcomponents are available in the Display Screw Kit, spare part number 438543-001.

**(2)** Four flat rubber screw covers on the display bezel bottom edge.

**(3)** Eight Phillips PM2.5×6.0 screws.

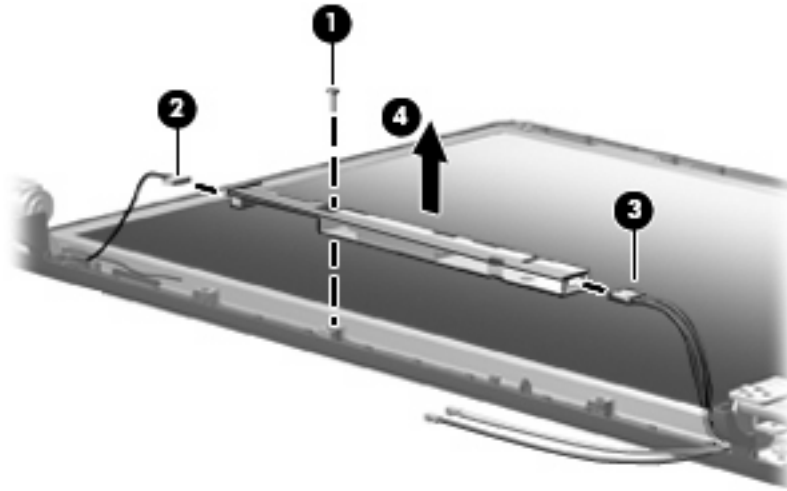


10. Flex the inside edges of the top side **(1)**, the left and right sides **(2)** of the display bezel, and the bottom side **(3)** of the display bezel until the bezel disengages from the display assembly.
11. Remove the display bezel **(4)**. The bezel is available using spare part number 438535-001.

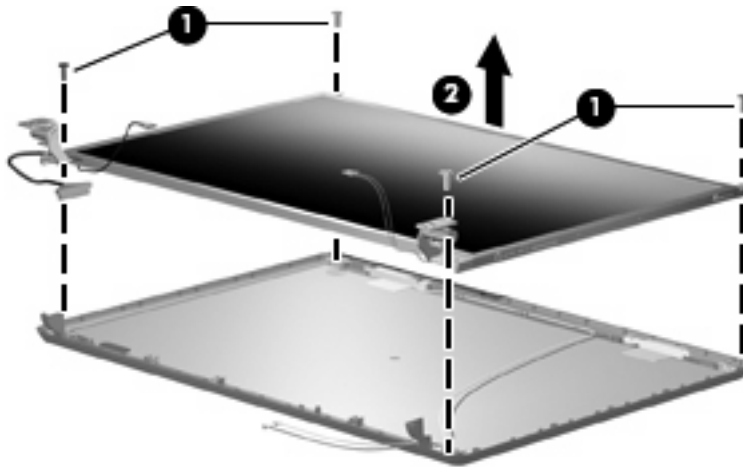


12. If it is necessary to replace the display inverter, remove the Phillips PM2.5×6.0 screw **(1)** that secures the inverter to the display enclosure.
13. Disconnect the display panel cable **(2)** and the backlight cable **(3)** from the inverter.

14. Remove the display inverter (4). The inverter is available using spare part number 448332-001.



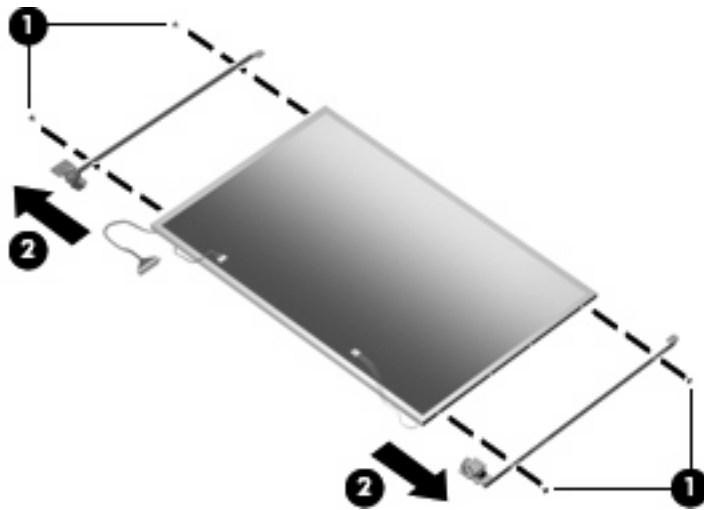
15. If it is necessary to replace the display panel, remove the four Phillips PM2.5×6.0 screws (1) that secure the panel to the display enclosure.
16. Remove the display panel (2). The panel is available using spare part number 448333-001.




17. If it is necessary to replace either of the display hinges, remove the four Phillips PM2.0×3.0 screws (1) that secure each hinge to the display panel.

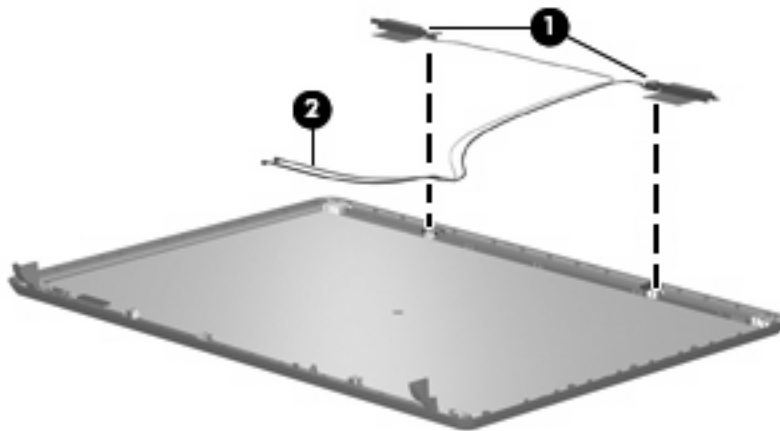


18. Remove the display hinges (**2**). The hinges are available in the Display Bracket/Hinge Kit, spare part number 448335-001.



19. If it is necessary to replace the wireless antenna transceivers (**1**) and cables (**2**), remove the transceivers and cables from the display enclosure. The wireless antenna transceivers and cables are available in the Wireless Antenna Kit, spare part number 438516-001.

 **NOTE:** The wireless antenna transceivers are attached to the display enclosure by a thin layer of adhesive. It may be necessary to use a flat-bladed tool to pry the transceivers away from the display enclosure.



Reverse this procedure to reassemble and install the display assembly.

## Base enclosure

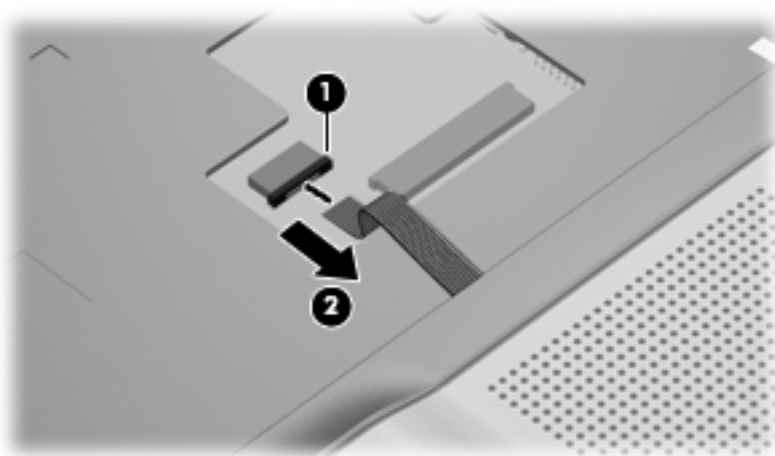
Description	Spare part number
Base enclosure	438517-001

Before removing the base enclosure, follow these steps:

1. Shut down the computer. If you are unsure whether the computer is off or in Hibernation, turn the computer on, and then shut it down through the operating system.
2. Disconnect all external devices connected to the computer.
3. Disconnect the power from the computer by first unplugging the power cord from the AC outlet and then unplugging the AC adapter from the computer.
4. Remove the battery (see [Battery on page 31](#)).
5. Remove the following components:
  - a. Hard drive (see [Hard drive on page 32](#))
  - b. Memory/WLAN module compartment cover (see [Memory module on page 35](#))
  - c. Optical drive (see [Optical drive on page 39](#))
  - d. Switch cover (see [Switch cover on page 41](#))
  - e. Keyboard (see [Keyboard on page 43](#))
  - f. Display assembly (see [Display assembly on page 45](#))

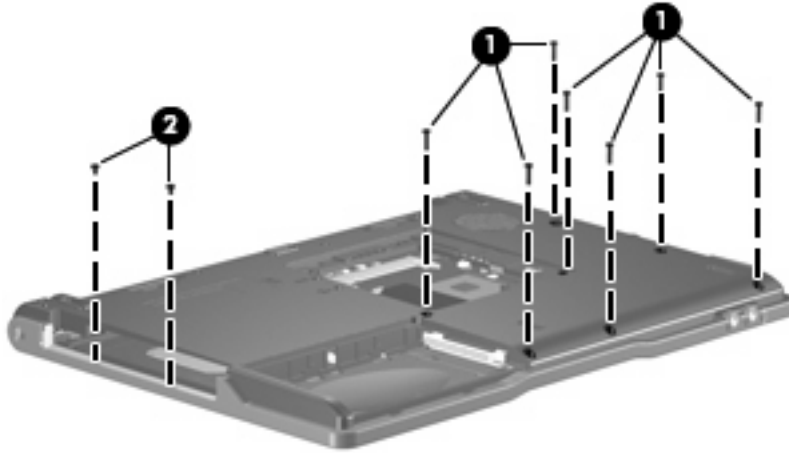
Remove the base enclosure:

1. Release the ZIF connector **(1)** to which the TouchPad cable is attached, and disconnect the TouchPad cable **(2)** from the system board.



2. Turn the computer upside down, with the front toward you.

3. Remove the seven Phillips PM2.0×9.0 screws **(1)** and the two Phillips PM2.0×3.0 screws **(2)** that secure the base enclosure to the computer.




4. Lift the left side of the base enclosure **(1)** until the USB connectors **(2)** disengage from their openings in the base enclosure.



5. Remove the base enclosure.

Reverse this procedure to install the base enclosure.

## RTC battery

 **NOTE:** Removing the RTC battery and leaving it uninstalled for 5 or more minutes causes all passwords and CMOS settings to be cleared.

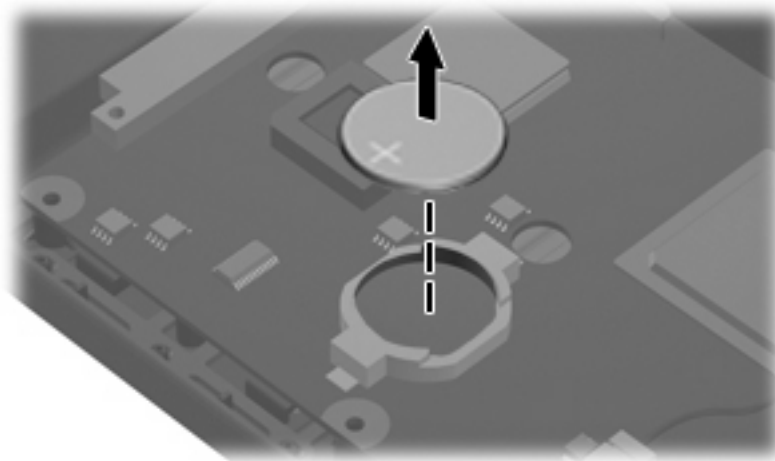
Description	Spare part number
RTC battery	438556-001

Before removing the RTC battery, follow these steps:

1. Shut down the computer. If you are unsure whether the computer is off or in Hibernation, turn the computer on, and then shut it down through the operating system.
2. Disconnect all external devices connected to the computer.
3. Disconnect the power from the computer by first unplugging the power cord from the AC outlet and then unplugging the AC adapter from the computer.
4. Remove the battery (see [Battery on page 31](#)).
5. Remove the following components:
  - a. Hard drive (see [Hard drive on page 32](#))
  - b. Memory/WLAN module compartment cover (see [Memory module on page 35](#))
  - c. Optical drive (see [Optical drive on page 39](#))
  - d. Switch cover (see [Switch cover on page 41](#))
  - e. Keyboard (see [Keyboard on page 43](#))
  - f. Display assembly (see [Display assembly on page 45](#))
  - g. Base enclosure (see [Base enclosure on page 50](#))

Remove the RTC battery:

- ▲ Use a non-conductive, flat-bladed tool to pry the RTC battery out of the socket.



Reverse this procedure to install the RTC battery. Be sure the RTC battery is installed with the “+” sign facing up.

## Fan assembly

Description	Spare part number
Fan assembly	438528-001

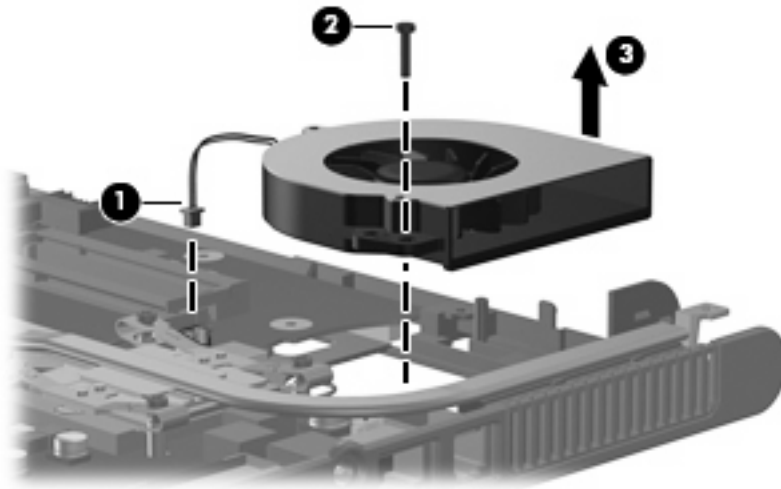
Before removing the fan assembly, follow these steps:

1. Shut down the computer. If you are unsure whether the computer is off or in Hibernation, turn the computer on, and then shut it down through the operating system.
2. Disconnect all external devices connected to the computer.
3. Disconnect the power from the computer by first unplugging the power cord from the AC outlet and then unplugging the AC adapter from the computer.
4. Remove the battery (see [Battery on page 31](#)).
5. Remove the following components:
  - a. Hard drive (see [Hard drive on page 32](#))
  - b. Memory/WLAN module compartment cover (see [Memory module on page 35](#))
  - c. Optical drive (see [Optical drive on page 39](#))
  - d. Switch cover (see [Switch cover on page 41](#))
  - e. Keyboard (see [Keyboard on page 43](#))
  - f. Display assembly (see [Display assembly on page 45](#))
  - g. Base enclosure (see [Base enclosure on page 50](#))

Remove the fan assembly:


1. Disconnect the fan cable **(1)** from the system board.
2. Remove the Phillips PM2.0×9.0 screw **(2)** that secures the fan assembly to the top cover.

3. Remove the fan assembly (3).



Reverse this procedure to install the fan assembly.

---

 **NOTE:** To properly ventilate the computer, allow at least a 7.6-cm (3-inch) clearance on the left and right sides of the computer.

---

The computer uses an electric fan for ventilation. The fan is controlled by a temperature sensor and is designed to be turned on automatically when high temperature conditions exist. These conditions are affected by high external temperatures, system power consumption, power management/battery conservation configurations, battery fast charging, and software applications. Exhaust air is displaced through the ventilation grill located on the left side of the computer.

# Heat sink


Description	Spare part number
Heat sink (includes thermal material)	448336-001

Before removing the heat sink, follow these steps:

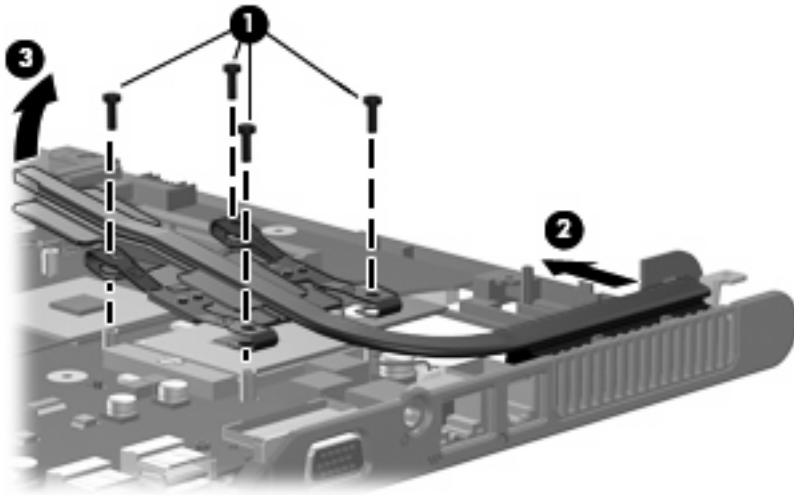
1. Shut down the computer. If you are unsure whether the computer is off or in Hibernation, turn the computer on, and then shut it down through the operating system.
2. Disconnect all external devices connected to the computer.
3. Disconnect the power from the computer by first unplugging the power cord from the AC outlet and then unplugging the AC adapter from the computer.
4. Remove the battery (see [Battery on page 31](#)).
5. Remove the following components:
  - a. Hard drive (see [Hard drive on page 32](#))
  - b. Memory/WLAN module compartment cover (see [Memory module on page 35](#))
  - c. Optical drive (see [Optical drive on page 39](#))
  - d. Switch cover (see [Switch cover on page 41](#))
  - e. Keyboard (see [Keyboard on page 43](#))
  - f. Display assembly (see [Display assembly on page 45](#))
  - g. Base enclosure (see [Base enclosure on page 50](#))
  - h. Fan assembly (see [Fan assembly on page 53](#))

Remove the heat sink:

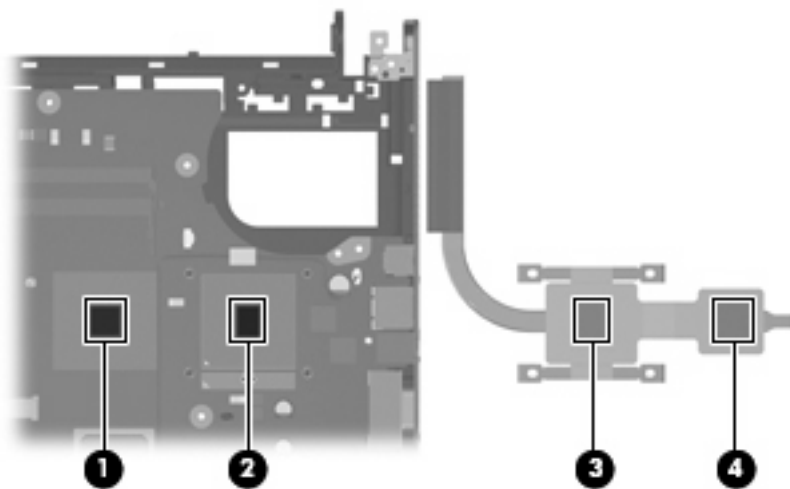
1. Remove the four Phillips PM2.5×6.0 screws **(1)** that secure the heat sink to the system board.
2. Release the heat sink **(2)** by sliding it to the left until the right side of the heat sink clears the top cover.

 **NOTE:** Due to the adhesive quality of the thermal material located between the heat sink and processor, it may be necessary to move the heat sink from side to side to detach the heat sink from the processor.

3. Lift the left side of the heat sink **(3)** and remove it.




**NOTE:** The thermal material should be thoroughly cleaned from the surfaces of the video processor **(1)**, the processor **(2)**, and the heat sink **(3)** and **(4)** each time the heat sink is removed. Reapply the thermal material when the heat sink is replaced. Thermal material is included with all heat sink, processor, and system board spare part kits.



Reverse this procedure to install the heat sink.



## Processor

 **NOTE:** All processor spare part kits include thermal material.

Description	Spare part number
Intel Core Solo T1400 1.83-GHz processor	448326-001
Intel Core Solo T1300 1.66-GHz processor	448325-001
Intel Core Duo T2300E 1.66-GHz processor	448324-001
Intel Core Duo T2300 1.66-GHz processor	448323-001
Intel Celeron M 420 1.60-GHz processor	448322-001
Intel Celeron M 410 1.46-GHz processor	448321-001


Before removing the processor, follow these steps:

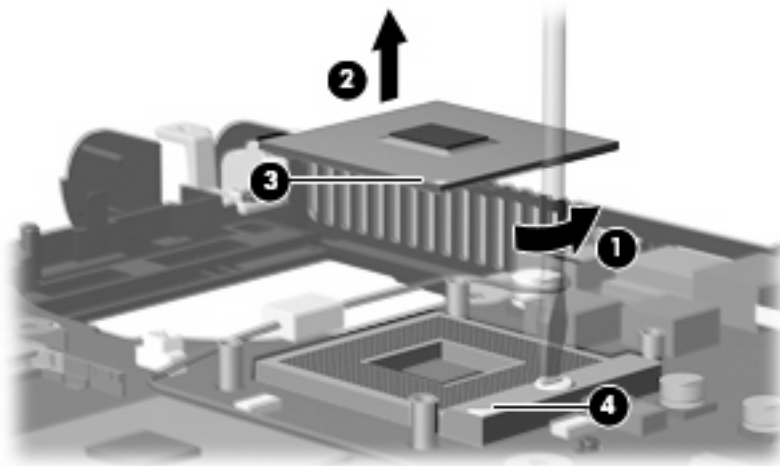
1. Shut down the computer. If you are unsure whether the computer is off or in Hibernation, turn the computer on, and then shut it down through the operating system.
2. Disconnect all external devices connected to the computer.
3. Disconnect the power from the computer by first unplugging the power cord from the AC outlet and then unplugging the AC adapter from the computer.
4. Remove the battery (see [Battery on page 31](#)).
5. Remove the following components:
  - a. Hard drive (see [Hard drive on page 32](#))
  - b. Memory/WLAN module compartment cover (see [Memory module on page 35](#))
  - c. Optical drive (see [Optical drive on page 39](#))
  - d. Switch cover (see [Switch cover on page 41](#))
  - e. Keyboard (see [Keyboard on page 43](#))
  - f. Display assembly (see [Display assembly on page 45](#))
  - g. Base enclosure (see [Base enclosure on page 50](#))
  - h. Fan assembly (see [Fan assembly on page 53](#))
  - i. Heat sink (see [Heat sink on page 55](#))

Remove the processor:

1. Use a flat-bladed screwdriver to turn the processor locking screw **(1)** one-half turn counterclockwise until you hear a click.

- Lift the processor **(2)** straight up and remove it.

 **NOTE:** The gold triangle **(3)** on the processor should be aligned with the triangle **(4)** embossed on the processor socket when you install the processor.



Reverse this procedure to install the processor.

## Speaker

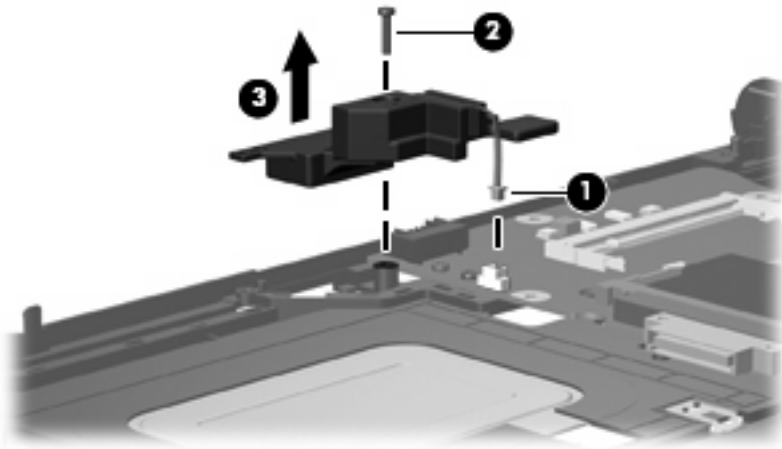
Description	Spare part number
Speaker	438559-001

Before removing the speaker, follow these steps:

- Shut down the computer. If you are unsure whether the computer is off or in Hibernation, turn the computer on, and then shut it down through the operating system.
- Disconnect all external devices connected to the computer.
- Disconnect the power from the computer by first unplugging the power cord from the AC outlet and then unplugging the AC adapter from the computer.
- Remove the battery (see [Battery on page 31](#)).
- Remove the following components:
  - Hard drive (see [Hard drive on page 32](#))
  - Memory/WLAN module compartment cover (see [Memory module on page 35](#))
  - Optical drive (see [Optical drive on page 39](#))
  - Switch cover (see [Switch cover on page 41](#))
  - Keyboard (see [Keyboard on page 43](#))
  - Display assembly (see [Display assembly on page 45](#))
  - Base enclosure (see [Base enclosure on page 50](#))

Remove the speaker:

1. Disconnect the speaker cable **(1)** from the system board.
2. Remove the Phillips PM2.0×9.0 screw **(2)** that secures the speaker to the top cover.
3. Remove the speaker **(3)**.



Reverse this procedure to install the speaker.

## System board

Description	Spare part number
For use only with computer models with Intel Core processors and WLAN capability	448339-001
For use only with computer models with Intel Celeron M processors and WLAN capability	448337-001
For use only with computer models without WLAN capability	448338-001

When replacing the system board, be sure that the following components are removed from the defective system board and installed on the replacement system board:

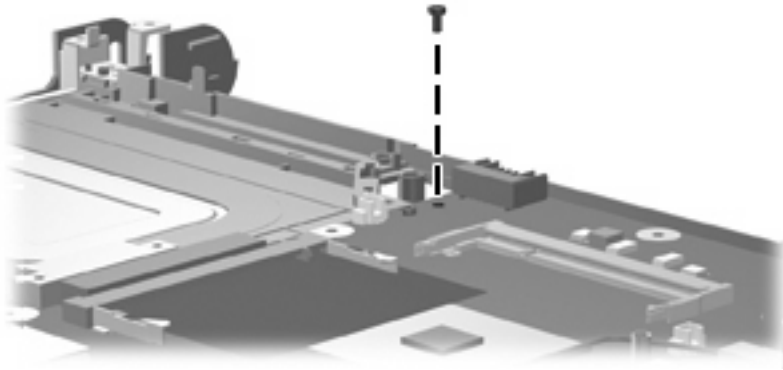
- Memory module (see [Memory module on page 35](#))
- WLAN module (see [WLAN module on page 37](#))
- RTC battery (see [RTC battery on page 52](#))
- Processor (see [Processor on page 57](#))
- PC Card assembly (see [PC Card assembly on page 62](#))

Before removing the system board, follow these steps:

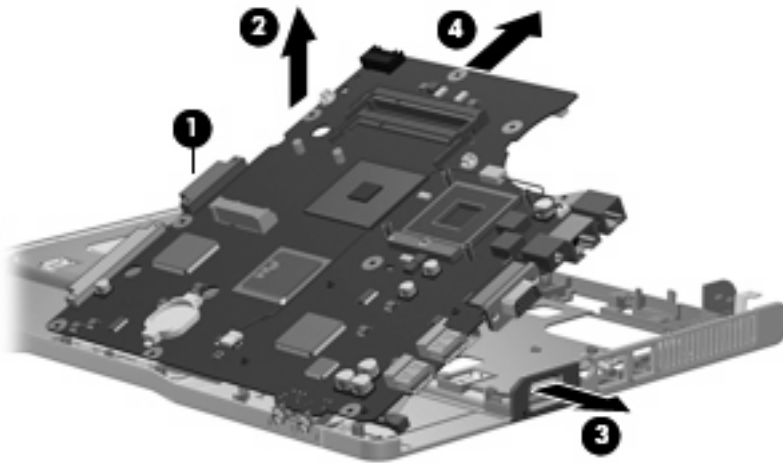
1. Shut down the computer. If you are unsure whether the computer is off or in Hibernation, turn the computer on, and then shut it down through the operating system.
2. Disconnect all external devices connected to the computer.
3. Disconnect the power from the computer by first unplugging the power cord from the AC outlet and then unplugging the AC adapter from the computer.
4. Remove the battery (see [Battery on page 31](#)).
5. Remove the following components:
  - a. Hard drive (see [Hard drive on page 32](#))
  - b. Memory/WLAN module compartment cover (see [Memory module on page 35](#))
  - c. Optical drive (see [Optical drive on page 39](#))
  - d. Switch cover (see [Switch cover on page 41](#))
  - e. Keyboard (see [Keyboard on page 43](#))
  - f. Display assembly (see [Display assembly on page 45](#))
  - g. Base enclosure (see [Base enclosure on page 50](#))
  - h. Fan assembly (see [Fan assembly on page 53](#))
  - i. Heat sink (see [Heat sink on page 55](#))

Remove the system board:

1. Remove the Phillips PM2.0×3.0 screw that secures the system board to the top cover .



2. Use the optical drive connector **(1)** to lift the left side of the system board **(2)** until it rests at an angle.
3. Flex the right side of the top cover **(3)** until the external monitor connector clears the opening in the top cover.
4. Slide the system board **(4)** away from the top cover at an angle until it clears the top cover



Reverse this procedures to install the system board.

## PC Card assembly

Description	Spare part number
PC Card assembly	438551-001
PC Card slot bezel	438527-001

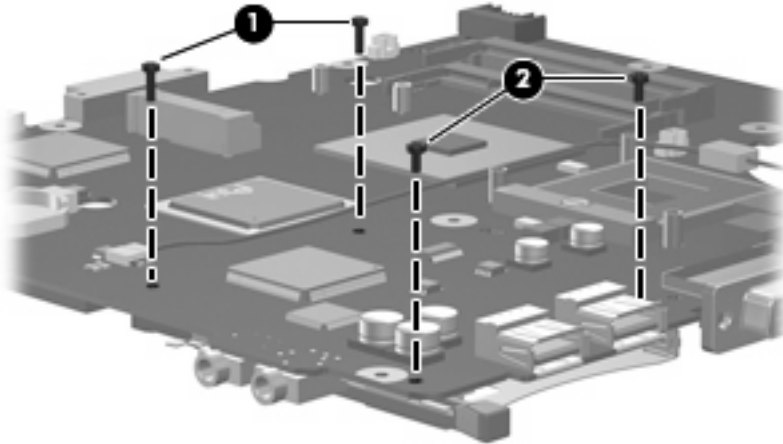
Before removing the PC Card assembly, follow these steps:

1. Shut down the computer. If you are unsure whether the computer is off or in Hibernation, turn the computer on, and then shut it down through the operating system.
2. Disconnect all external devices connected to the computer.
3. Disconnect the power from the computer by first unplugging the power cord from the AC outlet and then unplugging the AC adapter from the computer.
4. Remove the battery (see [Battery on page 31](#)).
5. Remove the following components:
  - a. Hard drive (see [Hard drive on page 32](#))
  - b. Memory/WLAN module compartment cover (see [Memory module on page 35](#))
  - c. Optical drive (see [Optical drive on page 39](#))
  - d. Switch cover (see [Switch cover on page 41](#))
  - e. Keyboard (see [Keyboard on page 43](#))
  - f. Display assembly (see [Display assembly on page 45](#))
  - g. Base enclosure (see [Base enclosure on page 50](#))
  - h. Fan assembly (see [Fan assembly on page 53](#))
  - i. Heat sink (see [Heat sink on page 55](#))
  - j. System board (see [System board on page 60](#))

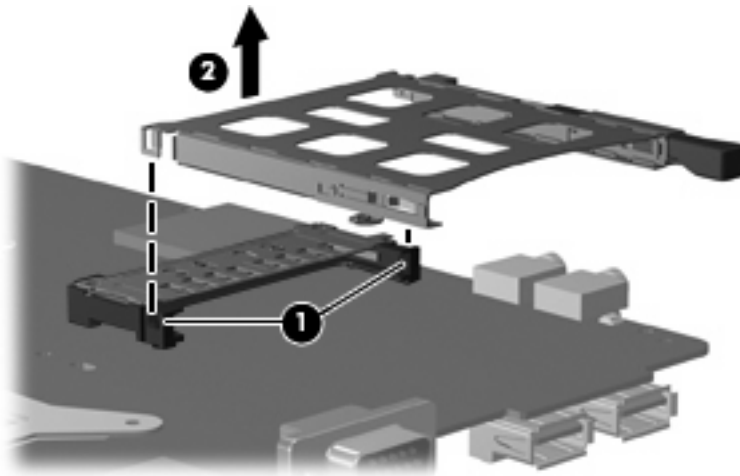
Remove the PC Card assembly:

1. Position the system board with the PC Card eject button toward you.

2. Remove the two Phillips PM2.0×7.0 screws **(1)** and two Phillips PM2.0×4.0 screws **(2)** that secure the PC Card assembly to the system board.



3. Turn the system board top-side up, with the PC Card eject button toward you.
4. Disengage the slots on the PC Card assembly from the tabs **(1)** on the PC Card connector.
5. Remove the PC Card assembly **(2)** from the system board.



Reverse this procedure to install the PC Card assembly.

## TouchPad cable

Description	Spare part number
TouchPad cable	438562-001

Before removing the TouchPad cable, follow these steps:

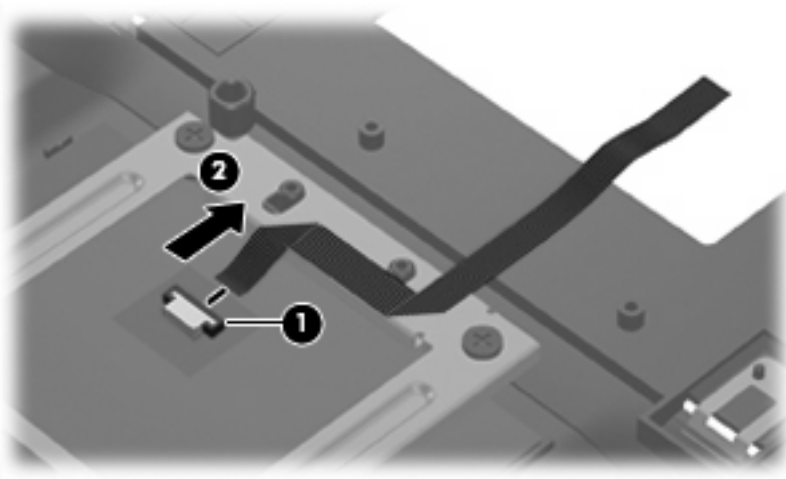
1. Shut down the computer. If you are unsure whether the computer is off or in Hibernation, turn the computer on, and then shut it down through the operating system.
2. Disconnect all external devices connected to the computer.
3. Disconnect the power from the computer by first unplugging the power cord from the AC outlet and then unplugging the AC adapter from the computer.
4. Remove the battery (see [Battery on page 31](#)).
5. Remove the following components:
  - a. Hard drive (see [Hard drive on page 32](#))
  - b. Memory/WLAN module compartment cover (see [Memory module on page 35](#))
  - c. Optical drive (see [Optical drive on page 39](#))
  - d. Switch cover (see [Switch cover on page 41](#))
  - e. Keyboard (see [Keyboard on page 43](#))
  - f. Display assembly (see [Display assembly on page 45](#))
  - g. Base enclosure (see [Base enclosure on page 50](#))
  - h. Fan assembly (see [Fan assembly on page 53](#))
  - i. Heat sink (see [Heat sink on page 55](#))
  - j. System board (see [System board on page 60](#))

Remove the TouchPad cable:

1. Position the top cover with the front toward you.



2. Release the ZIF connector **(1)** to which the TouchPad cable is connected, and disconnect the TouchPad cable **(2)** from the TouchPad board.



Reverse this procedure to install the TouchPad cable.




---

# 5 Computer Setup

## Starting Computer Setup

Computer Setup is a preinstalled, ROM-based utility that can be used even when the operating system is not working or will not load.

---

 **NOTE:** Some of the Computer Setup menu items listed in this guide may not be supported by your computer.

**NOTE:** Pointing devices are not supported in Computer Setup. You must use the keyboard to navigate and make selections.

**NOTE:** An external keyboard connected by USB can be used with Computer Setup only if USB legacy support is enabled.

---

To start Computer Setup:

1. Turn on or restart the computer.
2. Before Windows® opens and while the "F10 = ROM Based Setup" message is displayed in the lower-left corner of the screen, press **f10**.

# Using Computer Setup

## Navigating and selecting in Computer Setup

The information and settings in Computer Setup are accessed from the File, Security, Diagnostics, and System Configuration menus.

1. Open Computer Setup by turning on or restarting the computer, and then pressing **f10** while the "F10 = ROM Based Setup" message is displayed in the lower-left corner of the screen.

Because Computer Setup is not Windows-based, it does not support the TouchPad. Navigation and selection are by keystroke:

- To choose a menu or a menu item, use the arrow keys.
  - To select an item, press **enter**.
  - To close open dialog boxes and return to the main Computer Setup screen, press **esc**.
  - To view navigation information, press **f1**.
  - To change the language, press **f2**.
2. Select the **File, Security, Diagnostics,** or **System Configuration** menu.
  3. To exit Computer Setup, choose one of the following methods:
    - To exit Computer Setup without saving your preferences, use the arrow keys to select **File > Ignore Changes and Exit**. Then follow the instructions on the screen.
    - To save your preferences and exit Computer Setup, use the arrow keys to select **File > Save Changes and Exit**. Then follow the instructions on the screen.

Your preferences go into effect when the computer restarts.


## Restoring factory settings in Computer Setup

To return all settings in Computer Setup to the values that were set at the factory, follow these steps:

1. Open Computer Setup by turning on or restarting the computer, and then pressing **f10** while the "F10 = ROM Based Setup" message is displayed in the lower-left corner of the screen.
2. Use the arrow keys to select File > Restore defaults, and then press **enter**.
3. When the confirmation dialog box opens, press **f10**.
4. To save your preferences and exit Computer Setup, use the arrow keys to select **File > Save Changes and Exit**. Then follow the instructions on the screen.

Your preferences go into effect when the computer restarts.


---

 **NOTE:** Your password settings and security settings are not changed when you restore the factory settings.

---

# Computer Setup menus

The menu tables in this section provide an overview of Computer Setup options.

 **NOTE:** Some of the Computer Setup menu items listed in this chapter may not be supported by your computer.

## File menu

Select	To do this
System information	<ul style="list-style-type: none"><li>• View identification information for the computer and the batteries in the system.</li><li>• View specification information for the processor, cache and memory size, system ROM, video revision, and keyboard controller version.</li></ul>
Restore defaults	Replace the configuration settings in Computer Setup with the original factory settings. (Password settings and security settings are not changed when you restore the factory settings.)
Ignore changes and exit	Cancel any changes entered during the current session. Then exit and restart the computer.
Save changes and exit	Save any changes entered during the current session. Then exit and restart the computer. Your changes go into effect when the computer restarts.


## Security menu

Select	To do this
Setup password	Enter, change, or delete a setup password.
Power-On password	Enter, change, or delete a power-on password.
Password options	<ul style="list-style-type: none"><li>• Enable/disable stringent security.</li><li>• Enable/disable password requirement on computer restart.</li></ul>
DriveLock passwords	<ul style="list-style-type: none"><li>• Enable/disable DriveLock on any computer hard drive and on optional MultiBay hard drives.</li><li>• Change a DriveLock user password or master password.</li></ul> <p><b>NOTE:</b> DriveLock settings are accessible only when you enter Computer Setup by turning on (not restarting) the computer.</p>
Smart Card security	Enable/disable support for smart card and Java™ Card power-on authentication. <p><b>NOTE:</b> Power-on authentication for smart cards is supported only on computers with optional smart card readers.</p> <p><b>NOTE:</b> You must have an administrator password to change this setting.</p>
TPM Embedded Security	Enable/disable support for Trusted Platform Module (TPM) Embedded Security, which protects the computer from unauthorized access to owner functions available in Embedded Security for ProtectTools. For more information, refer to the ProtectTools software Help. <p><b>NOTE:</b> You must have a setup password to change this setting.</p>
System IDs	Enter user-defined computer asset tracking number and ownership tag.
Disk Sanitizer	Run Disk Sanitizer to destroy all existing data on the primary hard drive. The following options are available: <ul style="list-style-type: none"><li>• Fast: Runs the Disk Sanitizer erase cycle once.</li><li>• Optimum: Runs the Disk Sanitizer erase cycle 3 times.</li><li>• Custom: Allows you to select the desired number of Disk Sanitizer erase cycles from a list.</li></ul> <p><b>CAUTION:</b> If you run Disk Sanitizer, the data on the primary hard drive is destroyed permanently.</p>

## Diagnostics menu

Select	To do this
Hard Drive Self-Test options	Run a comprehensive self-test on any hard drive in the system or on any optional MultiBay hard drive.
Memory Check	Run a comprehensive check on system memory.
Startup Check (select models only)	Verify the system components needed for starting the computer.

## System Configuration menu

 **NOTE:** Some of the listed System Configuration options may not be supported by your computer.

Select	To do this
Language (or press <b>f2</b> )	Change the Computer Setup language.
Boot options	<ul style="list-style-type: none"><li>• Set <b>f9</b>, <b>f10</b>, and <b>f12</b> delay when starting up.</li><li>• Enable/disable CD-ROM boot.</li><li>• Enable/disable floppy boot.</li><li>• Enable/disable internal network adapter boot and set the boot mode (PXE or RPL).</li><li>• Enable/disable MultiBoot, which sets a boot order that can include most boot devices in the system.</li><li>• Set the Express Boot Popup delay in seconds.</li><li>• Set the boot order.</li></ul>
Device configurations	<ul style="list-style-type: none"><li>• Swap the functions of the fn key and left ctrl key.</li><li>• Enable/disable multiple standard pointing devices at startup. (To set the computer to support only a single, usually nonstandard, pointing device at startup, select <b>Disable</b>.)</li><li>• Enable/disable USB legacy support. When enabled, USB legacy support allows the following:<ul style="list-style-type: none"><li>◦ Use of a USB keyboard, mouse, and hub in Computer Setup even when a Windows operating system is not running.</li><li>◦ Startup from bootable USB devices, including a hard drive, diskette drive, or optical drive connected by a USB port to the computer or to an optional docking device (select models only).</li></ul></li><li>• Select a parallel port mode: EPP (Enhanced Parallel Port), standard, bidirectional, or ECP (Enhanced Capabilities Port).</li><li>• Enable/disable BIOS DMA data transfers.</li><li>• Enable/disable fan always on while connected to an AC outlet.</li><li>• Enable/disable Intel® Data Execution Prevention or AMD® PSAA Execution Disable. When enabled, the processor can disable some virus code execution, which helps to improve computer security.</li><li>• Enable/disable LAN Power Save. When enabled, saves power by turning off the LAN when not in use.</li><li>• Enable/disable SATA Native Mode.</li><li>• Enable/disable Dual Core CPU.</li><li>• Enable/disable Secondary Battery Fast Charge.</li><li>• Choose Bit-shift or LBA assisted HDD Translation Mode.</li><li>• Enable/disable Windows direct application launcher.</li><li>• Enable/disable HP Lockout.</li></ul>
Built-In Device Options	<ul style="list-style-type: none"><li>• Enable/disable embedded WWAN Device Radio.</li><li>• Enable/disable embedded WLAN Device Radio.</li></ul>

Select	To do this
	<ul style="list-style-type: none"> <li>• Enable/disable embedded Bluetooth® Device Radio.</li> <li>• Enable/disable LAN/WLAN Switching. When enabled, switches to a WLAN when a LAN is either unavailable or disconnected.</li> <li>• Enable/disable Wake on LAN from Off.</li> <li>• Enable/disable the ambient light sensor.</li> </ul>
Port Options	<ul style="list-style-type: none"> <li>• Enable/disable the serial port.</li> <li>• Enable/disable the parallel port.</li> <li>• Enable/disable the flash media reader.</li> <li>• Enable/disable the USB port. <ul style="list-style-type: none"> <li><b>CAUTION:</b> Disabling the USB port also disables MultiBay devices and ExpressCard devices on the advanced port replicator.</li> </ul> </li> <li>• Enable/disable the 1394 port.</li> <li>• Enable/disable the cardbus slot.</li> <li>• Enable/disable the ExpressCard slot.</li> <li>• Enable/disable the infrared port.</li> <li>• Enable/disable the optical disk drive.</li> <li>• Enable/disable the network controller.</li> </ul>



# 6 Specifications

## Computer specifications

	Metric	U.S.
<b>Dimensions</b>		
Height (front to back)	3.01 to 3.41 cm	1.18 to 1.34 in
Width	33.39 cm	13.19 in
Depth	24.68 cm	9.75 in
<b>Weight</b> (with optical drive, hard drive, and battery)	2.48 kg	5.47 lbs
<b>Input power</b>		
Operating voltage	18.5 V dc @ 3.5 A – 65 W	
Operating current	3.5 A	
<b>Temperature</b>		
Operating (not writing to optical disc)	0°C to 35°C	32°F to 95°F
Operating (writing to optical disc)	5°C to 35°C	41°F to 95°F
Nonoperating	-20°C to 60°C	-4°F to 140°F
<b>Relative humidity</b>		
Operating	10% to 90%	
Nonoperating	5% to 95%	
<b>Maximum altitude</b> (unpressurized)		
Operating (14.7 to 10.1 psia)	-15 m to 3,048 m	-50 ft to 10,000 ft
Nonoperating (14.7 to 4.4 psia)	-15 m to 12,192 m	-50 ft to 40,000 ft
<b>Shock</b>		
Operating	125 g, 2 ms, half-sine	
Nonoperating	200 g, 2 ms, half-sine	
<b>Random vibration</b>		
Operating	0.75 g zero-to-peak, 10 Hz to 500 Hz, 0.25 oct/min sweep rate	

	Metric	U.S.
Nonoperating	1.50 g zero-to-peak, 10 Hz to 500 Hz, 0.5 oct/min sweep rate	

**NOTE:** Applicable product safety standards specify thermal limits for plastic surfaces. The computer operates well within this range of temperatures.

## 14.1-inch, WXGA display specifications

	Metric	U.S.
<b>Dimensions</b>		
Height	21.4 cm	8.4 in
Width	28.6 cm	11.2 in
Diagonal	35.7 cm	14.1 in
<b>Number of colors</b>	Up to 16.8 million	
<b>Contrast ratio</b>	300:1 (typical)	
<b>Brightness</b>	200 nits (typical)	
<b>Pixel resolution</b>		
Pitch	0.237 × 0.237 mm	
Format	1024 × 768	
Configuration	RGB stripe	
<b>Backlight</b>	CCFL	
<b>Refresh rate</b>	60 Hz	
<b>PPI</b>	107	
<b>Viewing angle</b>	+/-45° horizontal, +/-25° vertical (typical)	

# Hard drive specifications

	120-GB*	80-GB*
<b>Dimensions</b>		
Height	9.5 mm	9.5 mm
Width	70 mm	70 mm
Weight	101 g	101 g
<b>Interface type</b>		
	ATA-7	ATA-7
<b>Transfer rate</b>		
Synchronous (maximum)	100 MB/sec	100 MB/sec
Security	ATA security	ATA security
<b>Seek times</b> (typical read, including setting)		
Single track	3 ms	3 ms
Average	13 ms	13 ms
Maximum	24 ms	24 ms
<b>Logical blocks</b>		
	234,420,480	156,280,320
<b>Disc rotational speed</b>		
	5400 rpm	5400 rpm
<b>Operating temperature</b>		
	5°C to 55°C (41°F to 131°F)	
*1 GB = 1 billion bytes when referring to hard drive storage capacity. Actual accessible capacity is less.		
<b>NOTE:</b> Certain restrictions and exclusions apply. Consult technical support for details.		

## Primary 4-cell, Li-ion battery specifications

	Metric	U.S.
<b>Dimensions</b>		
Height	2.00 cm	0.79 in
Width	26.80 cm	3.70 in
Depth	5.30 cm	5.28 in
Weight	0.34 kg	0.75 lb
<b>Energy</b>		
Voltage	14.4 V	
Amp-hour capacity	4.8 Ah	
Watt-hour capacity	69 Wh	
<b>Temperature</b>		
Operating	5°C to 45°C	41°F to 113°F
Nonoperating	0°C to 60°C	32°F to 140°F

# DVD±RW and CD-RW Super-Multi Double-Layer Combo Drive specifications

<b>Applicable disc</b>	<b>Read:</b>	<b>Write:</b>
	CD-DA, CD+(E)G, CD-MIDI, CD-TEXT, CD-ROM, CD-ROM XA, MIXED MODE CD, CD-I, CD-I Bridge (Photo-CD, Video CD), Multisession CD (Photo-CD, CD-EXTRA, Portfolio, CD-R, CD-RW), CD-R, CD-RW, DVD-ROM (DVD-5, DVD-9, DVD-10, DVD-18), DVD-R, DVD-RW, DVD+R, DVD+RW, DVD-RAM	CD-R and CD-RW DVD+R, DVD+RW, DVD-R, DVD-RW, DVD-RAM
<b>Center hole diameter</b>	1.5 cm (0.59 in)	
<b>Disc diameter</b>		
Standard disc	12 cm (4.72 in)	
Mini disc	8 cm (3.15 in)	
<b>Disc thickness</b>	1.2 mm (0.047 in)	
<b>Track pitch</b>	0.74 μm	
<b>Access time</b>	<b>CD</b>	<b>DVD</b>
Random	< 175 ms	< 230 ms
Full stroke	< 285 ms	< 335 ms
<b>Audio output level</b>	Audio-out, 0.7 Vrms	
<b>Cache buffer</b>	2 MB	
<b>Data transfer rate</b>		
24X CD-ROM	3,600 KB/sec	
8X DVD	10,800 KB/sec	
24X CD-R	3,600 KB/sec	
16X CD-RW	2,400 KB/sec	
8X DVD+R	10,800 KB/sec	
4X DVD+RW	5,400 KB/sec	
8X DVD-R	10,800 KB/sec	
4X DVD-RW	5,400 KB/sec	
2.4X DVD+R(9)	2,700 KB/sec	
5X DVD-RAM	6,750 KB/sec	
<b>Transfer mode</b>	Multiword DMA Mode	
<b>Startup time</b>	< 15 seconds	
<b>Stop time</b>	< 6 seconds	

# DVD/CD-RW Combo Drive specifications

<b>Applicable disc</b>	<b>Read:</b> CD-DA, CD+(E)G, CD-MIDI, CD-TEXT, CD-ROM, CD-ROM XA, MIXED MODE CD, CD-I, CD-I Bridge (Photo-CD, Video CD), Multisession CD (Photo-CD, CD-EXTRA, Portfolio, CD-R, CD-RW), CD-R, CD-RW, DVD-ROM (DVD-5, DVD-9, DVD-10, DVD-18), DVD-R, DVD-RW, DVD+R, DVD+RW, DVD-RAM	<b>Write:</b> CD-R and CD-RW
<b>Center hole diameter</b>	1.5 cm (0.59 in)	
<b>Disc diameter</b>		
Standard disc	12 cm (4.72 in)	
Mini disc	8 cm (3.15 in)	
<b>Disc thickness</b>	1.2 mm (0.047 in)	
<b>Track pitch</b>	0.74 $\mu\text{m}$	
<b>Access time</b>	<b>CD</b>	<b>DVD</b>
Random	< 110 ms	< 130 ms
Full stroke	< 210 ms	< 225 ms
<b>Audio output level</b>	Line-out, 0.7 Vrms	
<b>Cache buffer</b>	2 MB	
<b>Data transfer rate</b>		
24X CD-ROM	3,600 KB/sec	
8X DVD	10,800 KB/sec	
24X CD-R	3,600 KB/sec	
24X CD-RW	3,600 KB/sec	
<b>Transfer mode</b>	Multiword DMA mode 2	
<b>Startup time</b>	< 15 seconds	
<b>Stop time</b>	< 6 seconds	

# System DMA specifications

Hardware DMA	System function
DMA0	Not applicable
DMA1*	Not applicable
DMA2*	Not applicable
DMA3	Not applicable
DMA4	Direct memory access controller
DMA5*	Available for PC Card
DMA6	Not assigned
DMA7	Not assigned

\*PC Card controller can use DMA 1, 2, or 5.

# System interrupt specifications

Hardware IRQ	System function
IRQ0	System timer
IRQ1	Standard 101-/102-Key or Microsoft Natural Keyboard
IRQ2	Cascaded
IRQ3	Intel 82801DB/DBM USB2 Enhanced Host Controller—24CD
IRQ4	COM1
IRQ5*	Conexant AC—Link Audio Intel 82801DB/DBM SMBus Controller—24C3 Data Fax Modem with SmartCP
IRQ6	Diskette drive
IRQ7*	Parallel port
IRQ8	System CMOS/real-time clock
IRQ9*	Microsoft ACPI-compliant system
IRQ10*	Intel USB UHCI controller—24C2 Intel 82852/82855 GM/GME Graphic Controller Realtek RTL8139 Family PCI fast Ethernet Controller
IRQ11	Intel USB EHCI controller—24CD Intel USB UHCI controller—24C4 Intel USB UHCI controller—24C7 Intel Pro/Wireless 2200BG TI OHCI 1394 host controller TI PCI1410 CardBus controller
IRQ12	Synaptics PS/2 TouchPad
IRQ13	Numeric data processor
IRQ14	Primary IDE channel
IRQ15	Secondary IDE channel

\*Default configuration; audio possible configurations are IRQ5, IRQ7, IRQ9, IRQ10, or none.

**NOTE:** PC Cards may assert IRQ3, IRQ4, IRQ5, IRQ7, IRQ9, IRQ10, IRQ11, or IRQ15. Either the infrared or the serial port may assert IRQ3 or IRQ4.



# System I/O address specifications

I/O address (hex)	System function (shipping configuration)
000 - 00F	DMA controller no. 1
010 - 01F	Unused
020 - 021	Interrupt controller no. 1
022 - 024	Opti chipset configuration registers
025 - 03F	Unused
02E - 02F	87334 "Super I/O" configuration for CPU
040 - 05F	Counter/timer registers
044 - 05F	Unused
060	Keyboard controller
061	Port B
062 - 063	Unused
064	Keyboard controller
065 - 06F	Unused
070 - 071	NMI enable/RTC
072 - 07F	Unused
080 - 08F	DMA page registers
090 - 091	Unused
092	Port A
093 - 09F	Unused
0A0 - 0A1	Interrupt controller no. 2
I/O Address (hex)	System Function (shipping configuration)
0A2 - 0BF	Unused
0C0 - 0DF	DMA controller no. 2
0E0 - 0EF	Unused
0F0 - 0F1	Coprocessor busy clear/reset
0F2 - 0FF	Unused
100 - 16F	Unused
170 - 177	Secondary fixed disk controller
178 - 1EF	Unused
1F0 - 1F7	Primary fixed disk controller
1F8 - 200	Unused
201	JoyStick (decoded in ESS1688)
202 - 21F	Unused

<b>I/O address (hex)</b>	<b>System function (shipping configuration)</b>
220 - 22F	Entertainment audio
230 - 26D	Unused
26E - 26	Unused
278 - 27F	Unused
280 - 2AB	Unused
2A0 - 2A7	Unused
2A8 - 2E7	Unused
2E8 - 2EF	Reserved serial port
2F0 - 2F7	Unused
2F8 - 2FF	Infrared port
300 - 31F	Unused
320 - 36F	Unused
370 - 377	Secondary diskette drive controller
378 - 37F	Parallel port (LPT1/default)
380 - 387	Unused
388 - 38B	FM synthesizer—OPL3
38C - 3AF	Unused
3B0 - 3BB	VGA
3BC - 3BF	Reserved (parallel port/no EPP support)
3C0 - 3DF	VGA
3E0 - 3E1	PC Card controller in CPU
3E2 - 3E3	Unused
3E8 - 3EF	Internal modem
3F0 - 3F7	"A" diskette controller
3F8 - 3FF	Serial port (COM1/default)
CF8 - CFB	PCI configuration index register (PCIDIVO-1)
CFC - CFF	PCI configuration data register (PCIDIVO-1)

# System memory map specifications

Size	Memory address	System function
640 KB	00000000-0009FFFF	Base memory
128 KB	000A0000-000BFFFF	Video memory
48 KB	000C0000-000CBFFF	Video BIOS
160 KB	000C8000-000E7FFF	Unused
64 KB	000E8000-000FFFFF	System BIOS
15 MB	00100000-00FFFFFF	Extended memory
58 MB	04800000-07FFFFFF	Super extended memory
58 MB	04800000-07FFFFFF	Unused
2 MB	08000000-080FFFFF	Video memory (direct access)
4 GB	08200000-FFFFFFF	Unused
64 KB	FFFF0000-FFFFFFFF	System BIOS

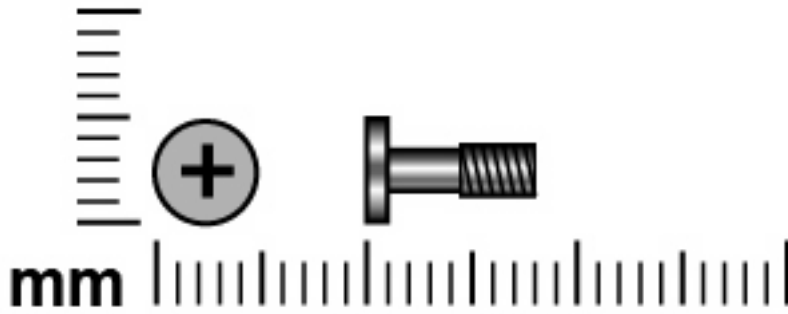


---

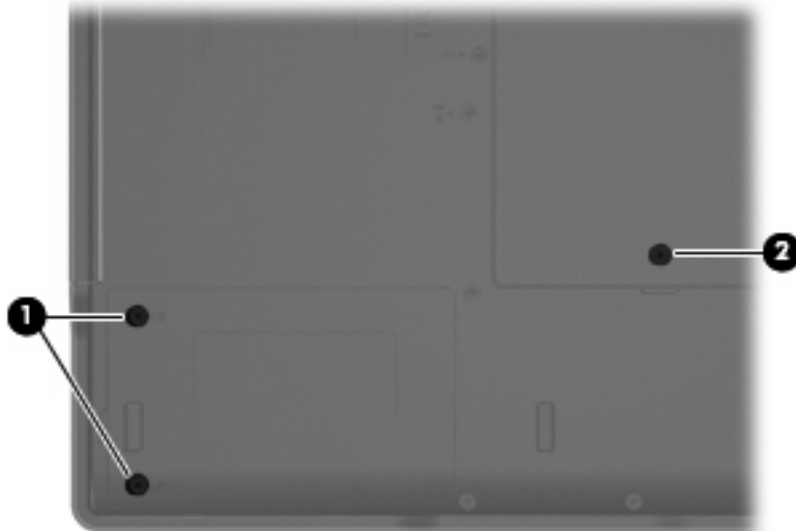
## 7 Screw listing

This section provides specification and reference information for the screws and screw locks used in the computer. All screws and screw locks listed in this section are available in the Screw Kit, spare part number 438558-001, and the Display Screw Kit, spare part number 438543-001.

## Phillips PM2.5×8.0 captive screw



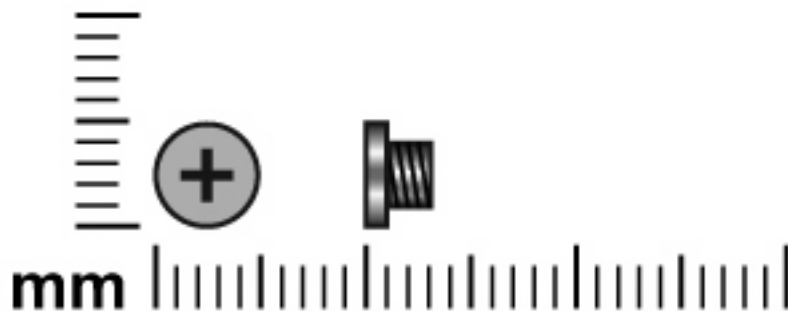
Color	Quantity	Length	Thread	Head width
Black	3	8.0 mm	2.5 mm	5.0 mm



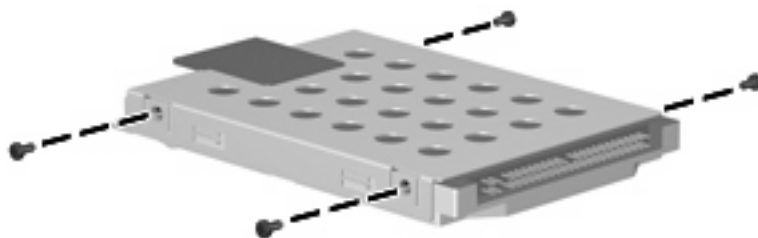
### Where used:

- (1)** Two screws that secure the hard drive cover to the computer (screws are captured on the cover by C clips)
- (2)** One screw that secures the memory/WLAN module compartment cover to the computer (screw is captured on the cover by a C clip)

## Phillips PM3.0×3.0 screw

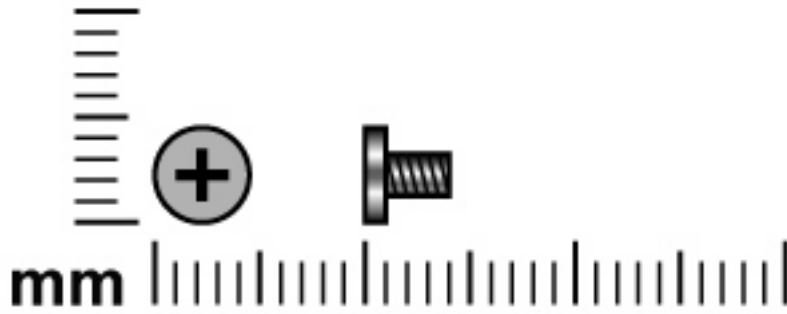


Color	Quantity	Length	Thread	Head width
Silver	4	3.0 mm	3.0 mm	5.0 mm

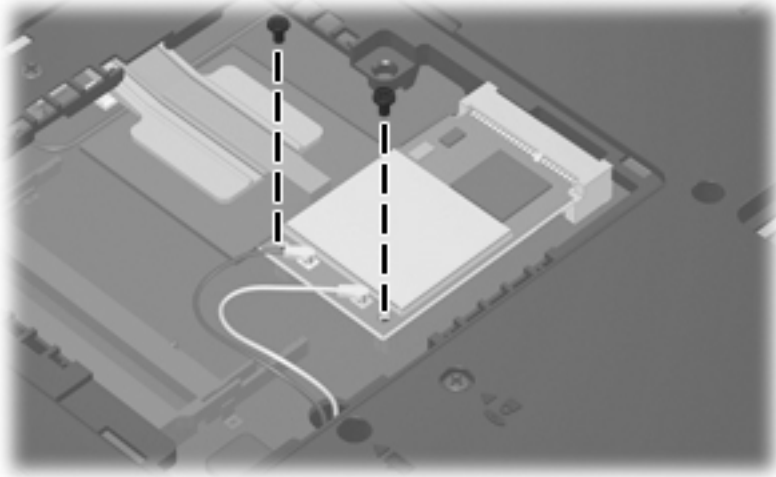


**Where used:** 4 screws that secure the hard drive bracket to the hard drive

## Phillips PM2.0×4.0 screw



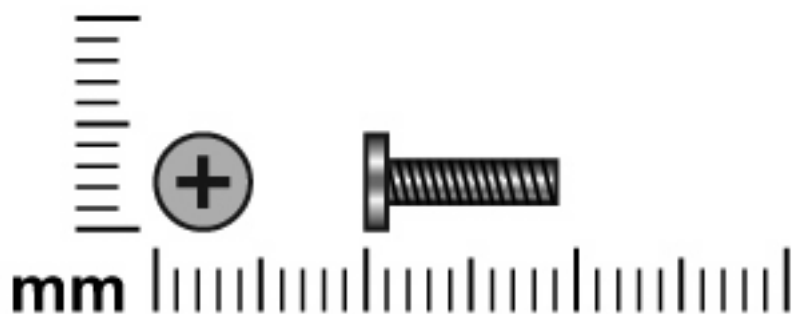
Color	Quantity	Length	Thread	Head diameter
Black	2	4.0 mm	2.0 mm	4.5 mm



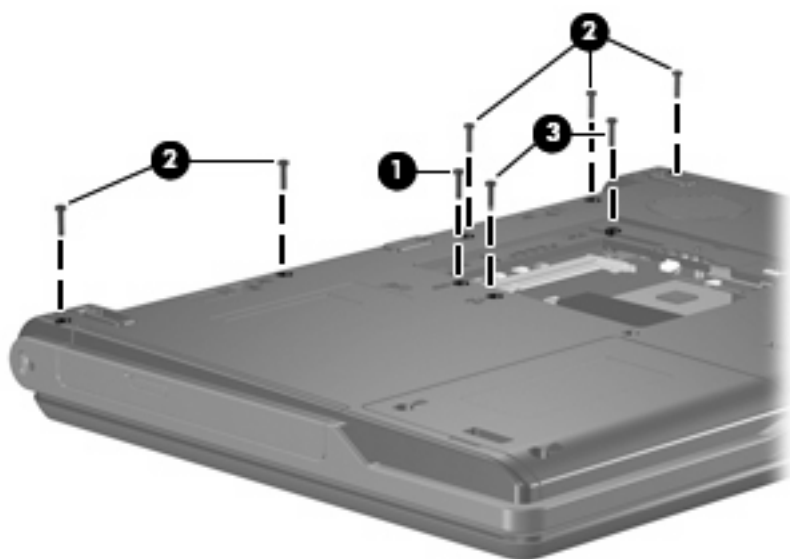
**Where used:** 2 screws that secure the WLAN module to the system board



## Phillips PM2.0×9.0 screw



Color	Quantity	Length	Thread	Head width
Black	20	9.0 mm	2.0 mm	5.0 mm

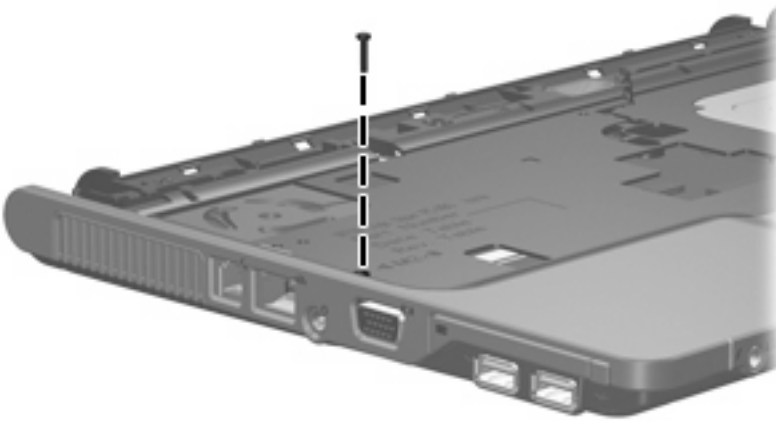


### Where used:

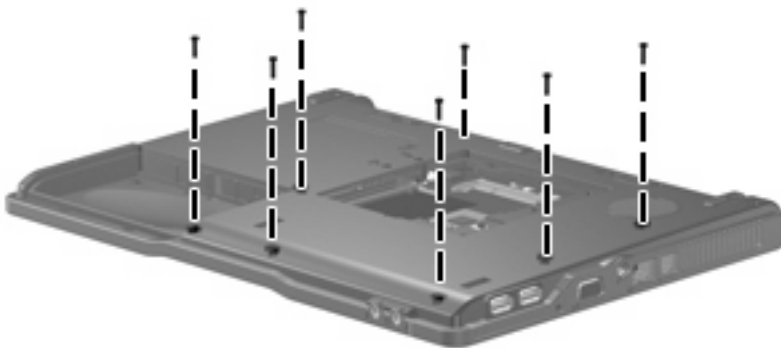
- (1) One screw that secures the optical drive to the computer
- (2) Five screws that secure the switch cover to the computer
- (3) Two screws that secure the keyboard to the computer



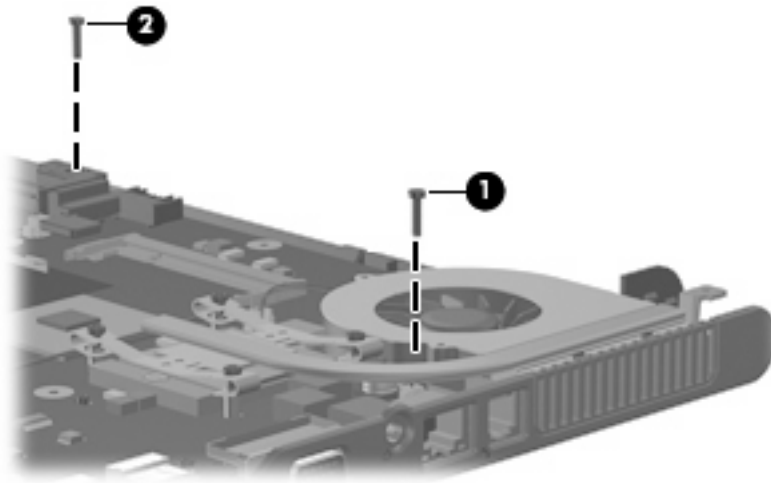
**Where used:** 2 screws that secure the display assembly to the computer



**Where used:** One screw that secures the base enclosure to the computer



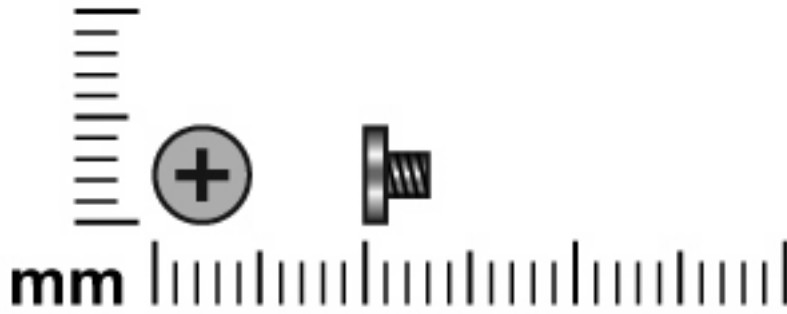
**Where used:** 7 screws that secure the base enclosure to the computer



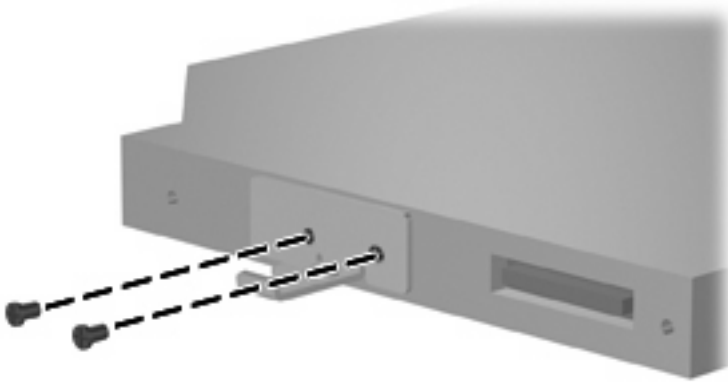
**Where used:**

- (1) One screw that secures the fan assembly to the computer
- (2) One screw that secures the speaker to the computer

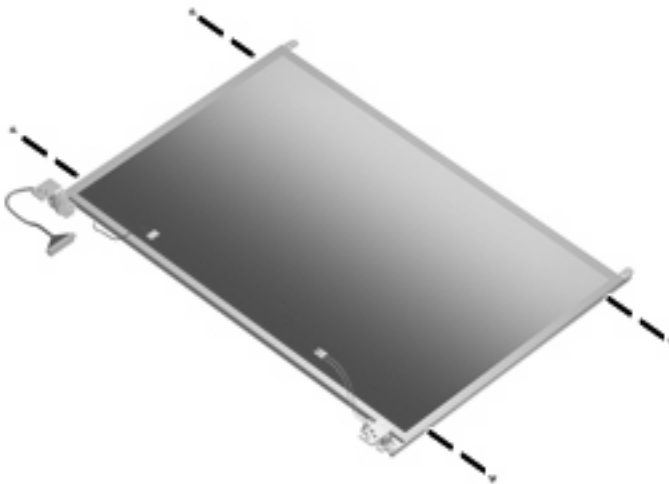
## Phillips PM2.0×3.0 screw



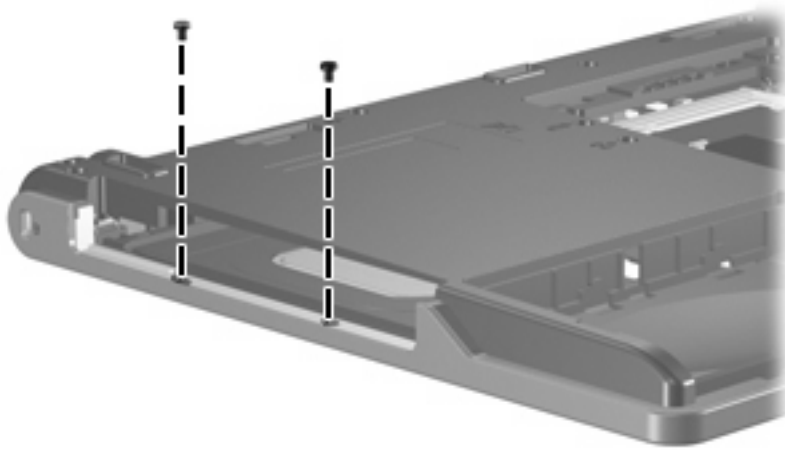
Color	Quantity	Length	Thread	Head width
Silver	9	3.0 mm	2.0 mm	4.5 mm



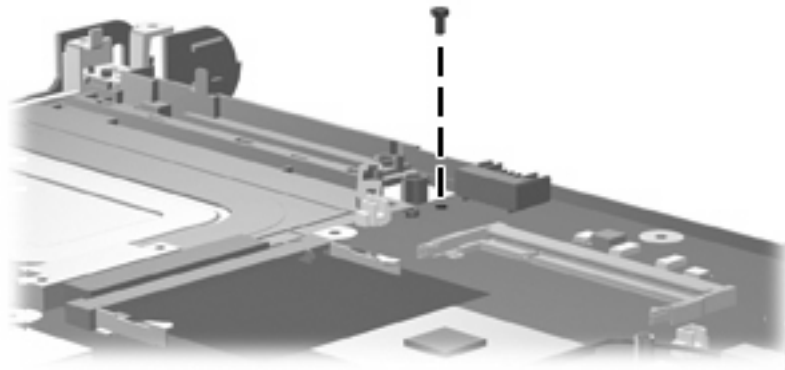
**Where used:** 2 screws that secure the optical drive bracket to the optical drive



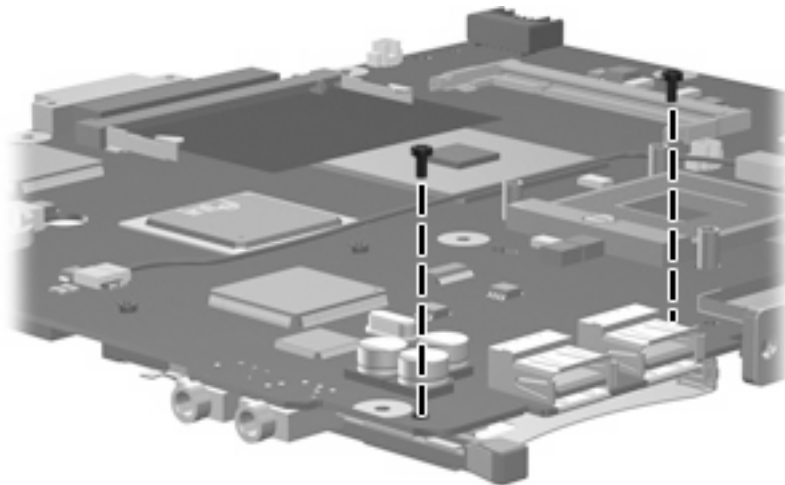
**Where used:** 4 screws that secure the display hinges to the display panel



**Where used:** 2 screws that secure the base enclosure to the top cover

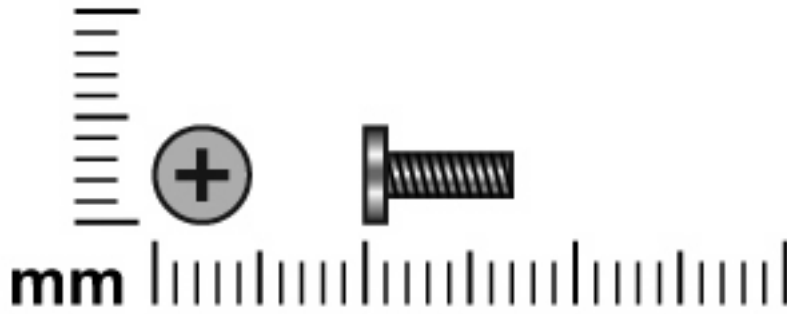


**Where used:** One screw that secures the system board to the base enclosure

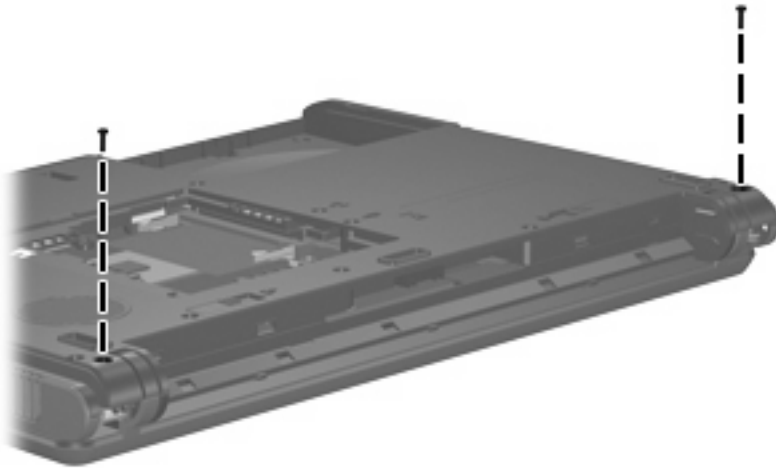


**Where used:** 2 screws that secure the PC Card assembly to the system board

## Phillips PM2.0×7.0 screw

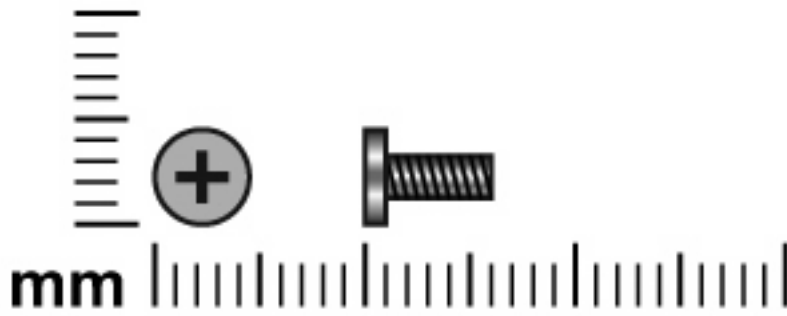


Color	Quantity	Length	Thread	Head width
Black	2	7.0 mm	2.0 mm	5.0 mm

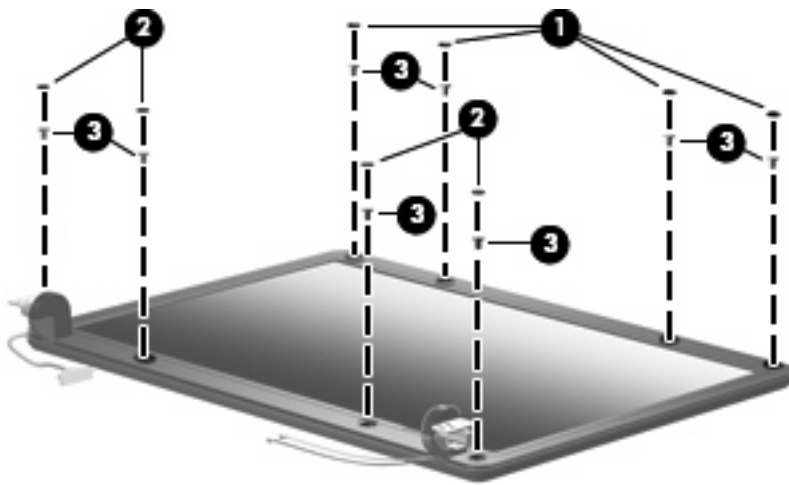


**Where used:** 2 screws that secure the display assembly to the computer

# Phillips PM2.5×6.0 screw



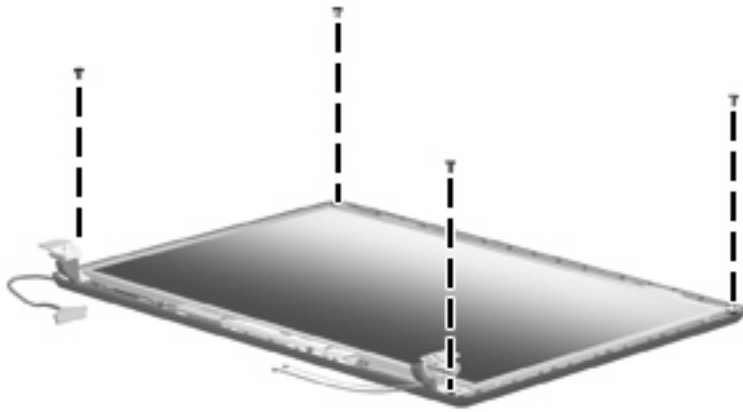
Color	Quantity	Length	Thread	Head width
Silver	17	6.0 mm	2.5 mm	5.0 mm



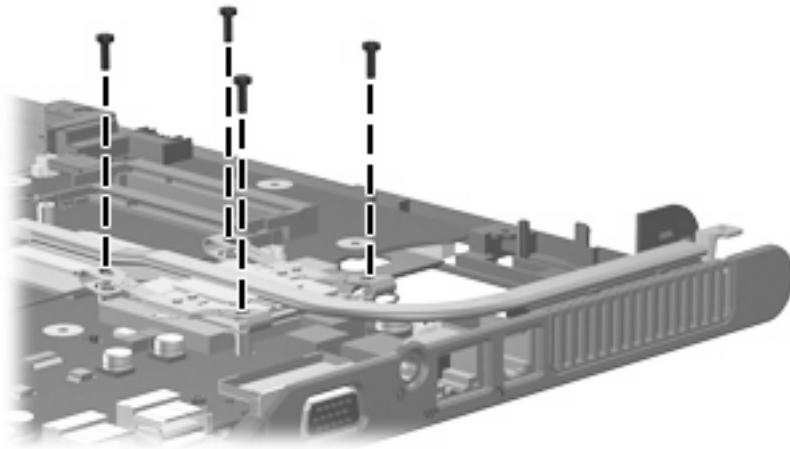
**Where used:** 8 screws that secure the display bezel to the display assembly



**Where used:** One screw that secures the display inverter to the display enclosure



**Where used:** 4 screws that secure the heat sink to the base enclosure



**Where used:** 4 screws that secure the display panel to the display enclosure




---

# 8 Backup and recovery

## Creating recovery discs

After setting up the computer for the first time, be sure to create a set of recovery discs of the full factory image. The recovery discs are used to start up (boot) the computer and recover the operating system and software to factory settings in case of system instability or failure.


Note the following guidelines before creating recovery discs:

- You will need high-quality CD-R, DVD-R, or DVD+R discs (purchased separately).
- 
-  **NOTE:** Read-write discs, such as CD-RW and DVD±RW discs, are not compatible with HP Backup & Recovery Manager.
- 
- The computer must be connected to AC power during the process.
  - Only one set of the recovery discs can be created per computer.
  - Number each disc before inserting it into the optical drive of the computer.
  - If necessary, you can cancel the disc creation before you have finished creating the recovery discs. The next time you select **Create a set of recovery discs (Recommended)**, you will be prompted to continue the disc creation.

To create a set of recovery discs:

1. Select **Start > All Programs > HP Backup & Recovery > Backup & Recovery Manager**.
2. Click **Next**.
3. Click **Create a set of recovery discs (Recommended)**, and then click **Next**.
4. Follow the on-screen instructions.

# Backing up your information

 **NOTE:** You can only recover files that you have previously backed up. HP recommends that you use HP Backup & Recovery Manager to create an entire drive backup as soon as you set up your computer.

---

With HP Backup & Recovery Manager, you can perform the following tasks:

- Backing up your information regularly to protect your important system files
- Creating system recovery points that allow you to reverse undesirable changes to your computer by restoring the computer to an earlier state
- Scheduling backups at specific intervals or events

## When to back up

- On a regularly scheduled basis

 **NOTE:** Set reminders to back up your information periodically.

---

- Before the computer is repaired or restored
- Before you add or modify hardware or software


## Backup suggestions

- Create a set of recovery discs using HP Backup & Recovery Manager.
- Create system recovery points using HP Backup & Recovery Manager, and periodically copy them to disc.
- Store personal files in the Documents folder and back up these folders periodically.
- Back up templates stored in their associated programs.
- Save customized settings in a window, toolbar, or menu bar by taking a screen shot of your settings.

The screen shot can be a time saver if you have to reset your preferences.

To copy the screen and paste it into a word-processing document:

- a. Display the screen.
- b. Copy the screen.  
To copy only the active window, press **alt+fn+prt sc**.  
To copy the entire screen, press **fn+prt sc**.
- c. Open a word-processing document, and then select **Edit > Paste**.

 **NOTE:** Before you can perform Backup & Recovery procedures, the computer must be connected to external power.

**NOTE:** Drivers, utilities, and applications installed by HP can be copied to a CD or to a DVD using HP Backup & Recovery Manager.

---

## Backing up specific files or folders

You can back up specific files or folders to the recovery partition on the hard drive, to an optional external hard drive, or to optical discs (CDs or DVDs).

---

 **NOTE:** This process will take several minutes, depending on the file size and the speed of the computer.


To back up specific files or folders:

1. Select **Start > All Programs > HP Backup & Recovery > Backup & Recovery Manager**.
2. Click **Next**.
3. Click **Create or manage backups**, and then click **Next**.
4. Click **Back up user created files and folders**, and then click **Next**.
5. Follow the on-screen instructions.

## Backing up the entire hard drive

When you perform a complete backup of the hard drive, you are saving the full factory image, including the Windows® operating system, software applications, and all personal files and folders.

---

 **NOTE:** A copy of the entire hard drive image can be stored on another hard drive, on a network drive, or on recovery discs that you create.

---

**NOTE:** This process may take over an hour, depending on your computer speed and the amount of data being stored.


To back up your entire hard drive:

1. Select **Start > All Programs > HP Backup & Recovery > Backup & Recovery Manager**.
2. Click **Next**.
3. Click **Create or manage backups**, and then click **Next**.
4. Click **Create or manage Entire Drive Backups**, and then click **Next**.
5. Follow the on-screen instructions.

## Creating recovery points

When you back up modifications since your last backup, you are creating system recovery points. This allows you to save a snapshot of your hard drive at a specific point in time. You can then recover back to that point if you want to reverse subsequent changes made to your system.

---


 **NOTE:** The first system recovery point, a snapshot of the entire image, is automatically created the first time you perform a backup. Subsequent recovery points make copies of changes made after that time.

---

HP recommends that you create recovery points at the following times:

- Before you add or extensively modify software or hardware
- Periodically, whenever the system is performing optimally

---

 **NOTE:** Recovering to an earlier recovery point does not affect data files or e-mails created since that recovery point.

---

To create a system recovery point:

1. Select **Start > All Programs > HP Backup & Recovery > Backup & Recovery Manager**.
2. Click **Next**.
3. Click **Create or manage backups**, and then click **Next**.
4. Click **Create or manage Recovery Points**, and then click **Next**.
5. Follow the on-screen instructions.


## Scheduling backups

Use HP Backup Scheduler to schedule backups for the entire system, for recovery points, or for specific files and folders. With this tool, you can schedule backups at specific intervals (daily, weekly, or monthly) or at specific events, such as at system restart or when you dock to an optional docking station (select models only).

To schedule backups:

1. Select **Start > All Programs > HP Backup & Recovery > HP Backup Scheduler**.
2. Follow the on-screen instructions.

# Performing a recovery

 **NOTE:** You can only recover files that you have previously backed up. HP recommends that you use HP Backup & Recovery Manager to create an entire drive backup as soon as you set up your computer.

HP Backup & Recovery Manager helps you with the following tasks for safeguarding your information and restoring it in case of a system failure:

- Recovering important files—This feature helps you reinstall important files without performing a full system recovery.
- Performing a full system recovery—With HP Backup & Recovery Manager, you can recover your full factory image if you experience system failure or instability. HP Backup & Recovery Manager works from a dedicated recovery partition on the hard drive or from recovery discs you create.

## Performing a recovery from the recovery discs

To perform a recovery from the recovery discs, follow these steps:

1. Back up all personal files.
2. Insert the first recovery disc into the optical drive and restart the computer.
3. Follow the on-screen instructions.

## Performing a recovery from the hard drive

There are 2 ways to initiate a recovery from the hard drive:

- From within Windows
- From the recovery partition

## Initiating a recovery in Windows

To initiate a recovery in Windows, follow these steps:

1. Back up all personal files.
2. Select **Start > All Programs > HP Backup & Recovery > Backup & Recovery Manager**.
3. Click **Next**.
4. Click **Perform a recovery**, and then click **Next**.
5. Follow the on-screen instructions.

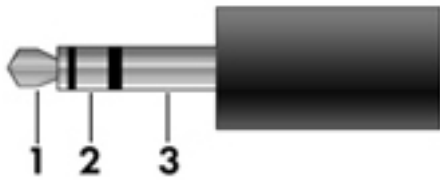
## Initiating a recovery from the hard drive recovery partition

To initiate a recovery from the hard drive recovery partition, follow these steps:

1. Back up all personal files.
2. Restart the computer, and then press **f11** before the Windows operating system loads.
3. Click a recovery option, and then click **Next**.
4. Follow the on-screen instructions.

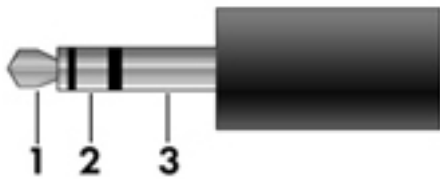
# 9 Connector pin assignments

## Audio-out (headphone)



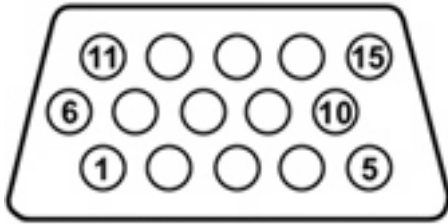
Pin	Signal
1	Audio out, left channel
2	Audio out, right channel
3	Ground

## Audio-in (microphone)



Pin	Signal
1	Audio signal in
2	Audio signal in
3	Ground

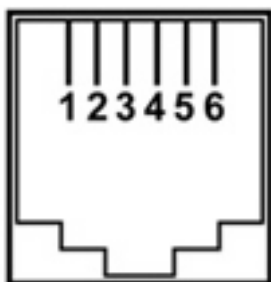
## External monitor



Pin	Signal
1	Red analog
2	Green analog
3	Blue analog
4	Not connected
5	Ground
6	Ground analog
7	Ground analog
8	Ground analog
9	+5 VDC
10	Ground
11	Monitor detect
12	DDC 2B data
13	Horizontal sync
14	Vertical sync
15	DDC 2B clock

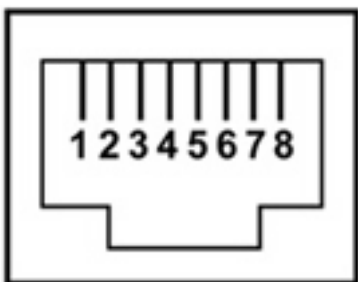


## RJ-11 (modem)



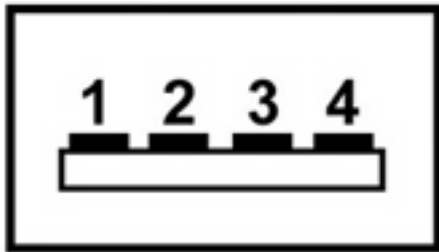
Pin	Signal
1	Unused
2	Tip
3	Ring
4	Unused
5	Unused
6	Unused

## RJ-45 (network)



Pin	Signal
1	Transmit +
2	Transmit -
3	Receive +
4	Unused
5	Unused
6	Receive -
7	Unused
8	Unused

## Universal Serial Bus



Pin	Signal
1	+5 VDC
2	Data -
3	Data +
4	Ground

---

# 10 Power cord set requirements

The wide range input feature of the computer permits it to operate from any line voltage from 100 to 120 or 220 to 240 volts AC.

The 3-conductor power cord set included with the computer meets the requirements for use in the country where the equipment is purchased.

Power cord sets for use in other countries must meet the requirements of the country where the computer is used.

## Requirements for all countries

The requirements listed below are applicable to all countries.

- The length of the power cord set must be at least 1.5 m (5.0 ft) and a maximum of 2.0 m (6.5 ft).
- All power cord sets must be approved by an acceptable accredited agency responsible for evaluation in the country where the power cord set will be used.
- The power cord sets must have a minimum current capacity of 10 amps and a nominal voltage rating of 125 or 250 V AC, as required by each country's power system.
- The appliance coupler must meet the mechanical configuration of an EN 60 320/IEC 320 Standard Sheet C13 connector for mating with the appliance inlet on the back of the computer.

## Requirements for specific countries

Country/region	Accredited agency	Applicable note number
Australia	EANSW	1
Austria	OVE	1
Belgium	CEBC	1
Canada	CSA	2
Denmark	DEMKO	1
Finland	FIMKO	1
France	UTE	1
Germany	VDE	1
Italy	IMQ	1
Japan	METI	3
Korea	EK	4
The Netherlands	KEMA	1
Norway	NEMKO	1
The People's Republic of China	CCC	5
Sweden	SEMKO	1
Switzerland	SEV	1
Taiwan	BSMI	4
The United Kingdom	BSI	1
The United States	UL	2

1. The flexible cord must be Type HO5VV-F, 3-conductor, 1.0 mm<sup>2</sup> conductor size. Power cord set fittings (appliance coupler and wall plug) must bear the certification mark of the agency responsible for evaluation in the country where it will be used.
2. The flexible cord must be Type SPT-3 or equivalent, No. 18 AWG, 3-conductor. The wall plug must be a two-pole grounding type with a NEMA 5-15P (15 A, 125 V) or NEMA 6-15P (15 A, 250 V) configuration.
3. The appliance coupler, flexible cord, and wall plug must bear a "T" mark and registration number in accordance with the Japanese Dentori Law. The flexible cord must be Type VCT or VCTF, 3-conductor, 1.00 mm<sup>2</sup> conductor size. The wall plug must be a two-pole grounding type with a Japanese Industrial Standard C8303 (7 A, 125 V) configuration.
4. The flexible cord must be Type RVV, 3-conductor, 0.75 mm<sup>2</sup> conductor size. Power cord set fittings (appliance coupler and wall plug) must bear the certification mark of the agency responsible for evaluation in the country where it will be used.
5. The flexible cord must be Type VCTF, 3-conductor, 0.75 mm<sup>2</sup> conductor size. Power cord set fittings (appliance coupler and wall plug) must bear the certification mark of the agency responsible for evaluation in the country where it will be used.

# 11 Recycling

## Battery

When a battery has reached the end of its useful life, do not dispose of the battery in general household waste. Follow the local laws and regulations in your area for computer battery disposal.

## Display

- ⚠ **WARNING!** The backlight contains mercury. Caution should be exercised when removing and handling the backlight to avoid damaging this component and causing exposure to the mercury.
- ⚠ **CAUTION:** The procedures in this appendix can result in damage to display components. The only components intended for recycling purposes are the liquid crystal display (LCD) panel and the backlight. Careful handling should be exercised when removing these components.
- 📄 **NOTE: Materials Disposal.** This HP product contains mercury in the backlight in the display assembly that might require special handling at end-of-life. Disposal of mercury may be regulated because of environmental considerations. For disposal or recycling information, contact your local authorities or the Electronic Industries Alliance (EIA) at <http://www.eiae.org>.

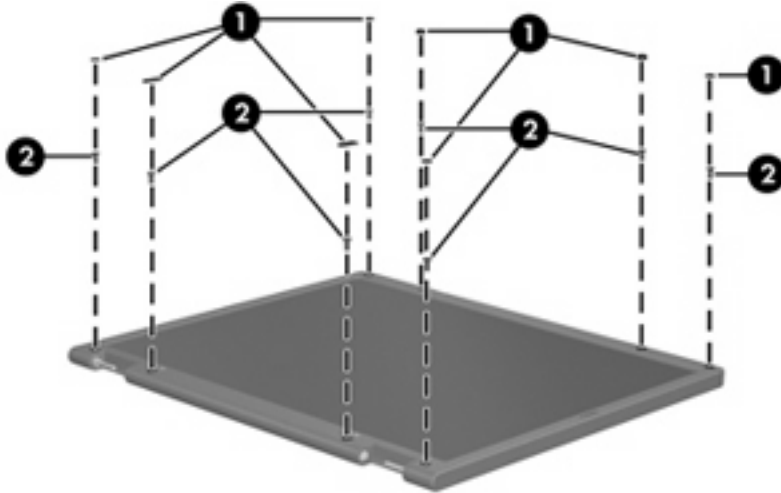
This section provides disassembly instructions for the display assembly. The display assembly must be disassembled to gain access to the backlight **(1)** and the liquid crystal display (LCD) panel **(2)**.



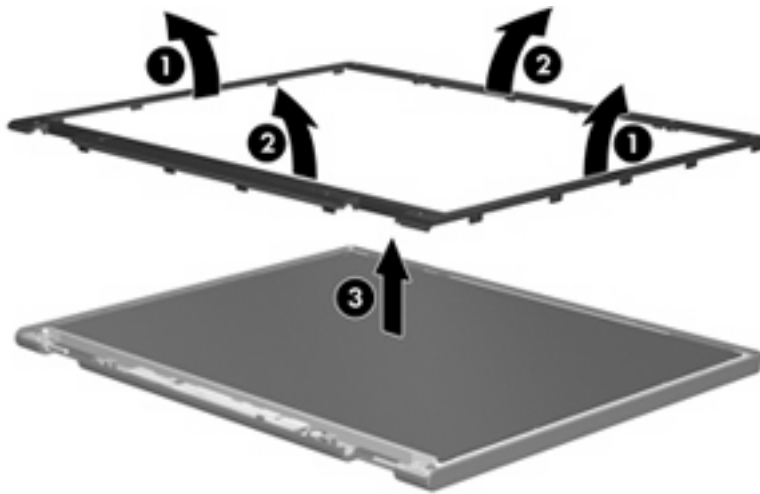
- 📄 **NOTE:** Disassembly procedures differ from one display assembly to another. The procedures provided in this appendix are general disassembly instructions. Specific details, such as screw sizes, quantities, and locations, and component shapes and sizes, can vary from one computer model to another.

Perform the following steps to disassemble the display assembly:

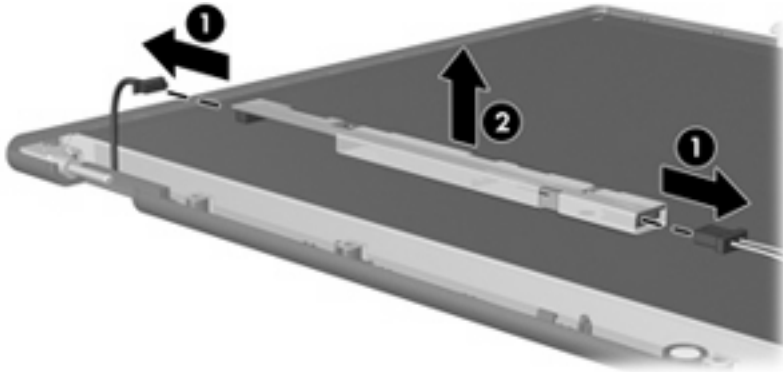
1. Remove all screw covers **(1)** and screws **(2)** that secure the display bezel to the display assembly.



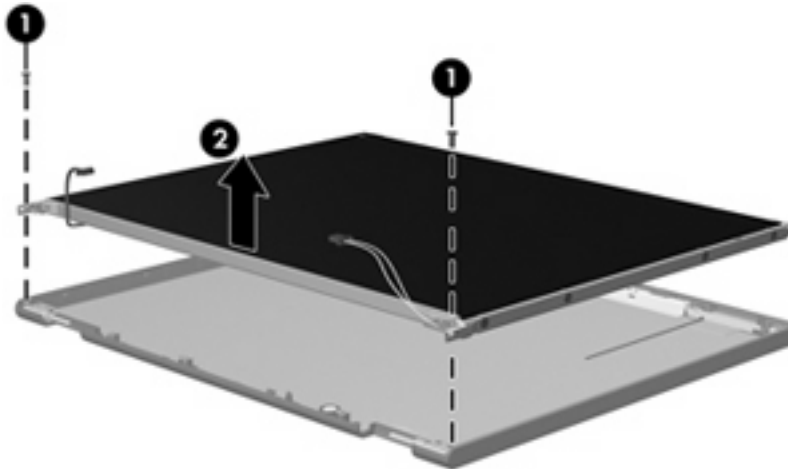
2. Lift up and out on the left and right inside edges **(1)** and the top and bottom inside edges **(2)** of the display bezel until the bezel disengages from the display assembly.
3. Remove the display bezel **(3)**.



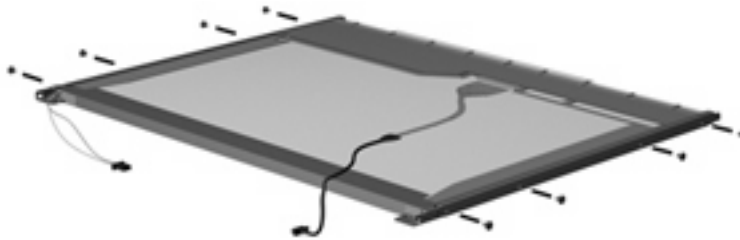
4. Disconnect all display panel cables **(1)** from the display inverter and remove the inverter **(2)**.



5. Remove all screws **(1)** that secure the display panel assembly to the display enclosure.
6. Remove the display panel assembly **(2)** from the display enclosure.

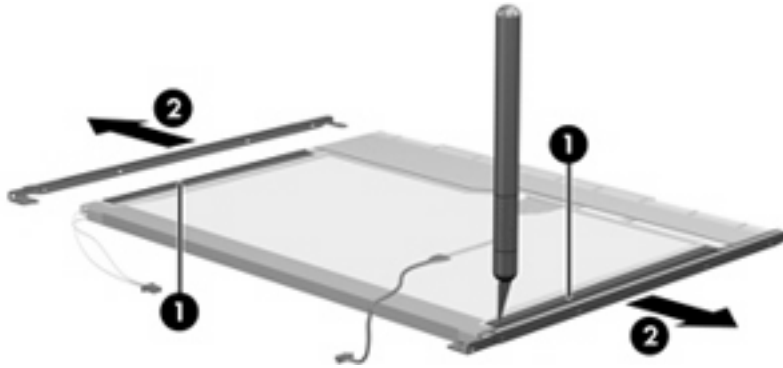


7. Turn the display panel assembly upside down.
8. Remove all screws that secure the display panel frame to the display panel.

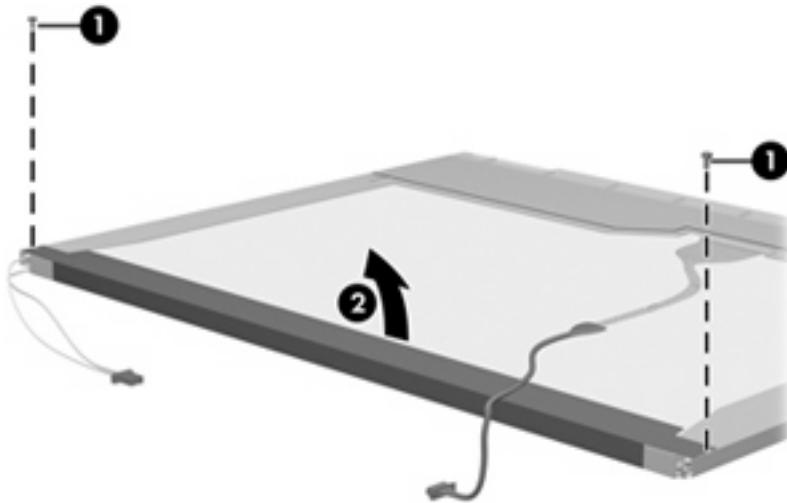


9. Use a sharp-edged tool to cut the tape **(1)** that secures the sides of the display panel to the display panel frame.

10. Remove the display panel frame **(2)** from the display panel.



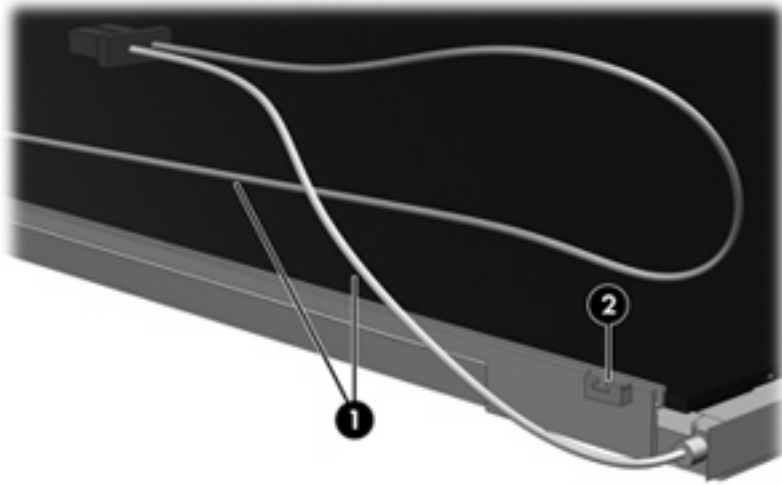
11. Remove the screws **(1)** that secure the backlight cover to the display panel.
12. Lift the top edge of the backlight cover **(2)** and swing it forward.



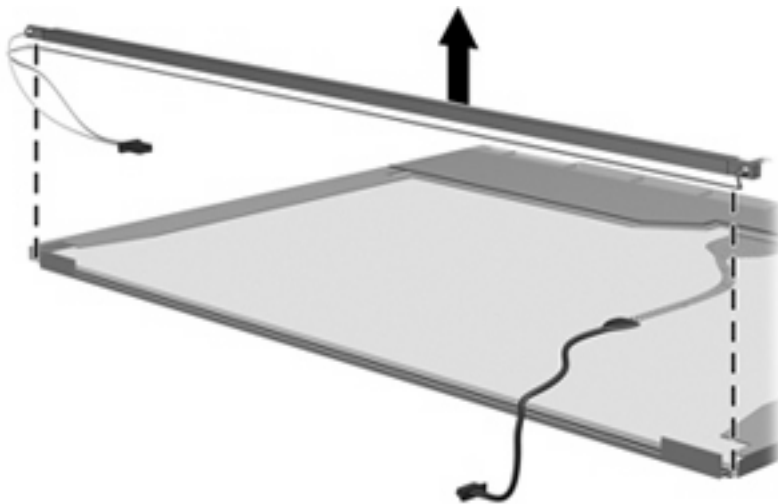
13. Remove the backlight cover.
14. Turn the display panel right-side up.



15. Remove the backlight cables **(1)** from the clip **(2)** in the display panel.

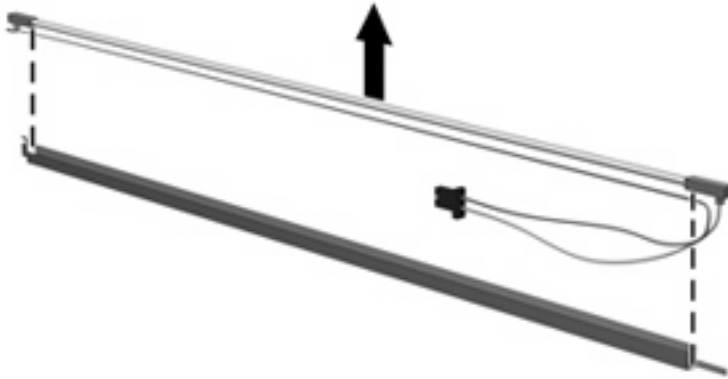


16. Turn the display panel upside down.
17. Remove the backlight frame from the display panel.

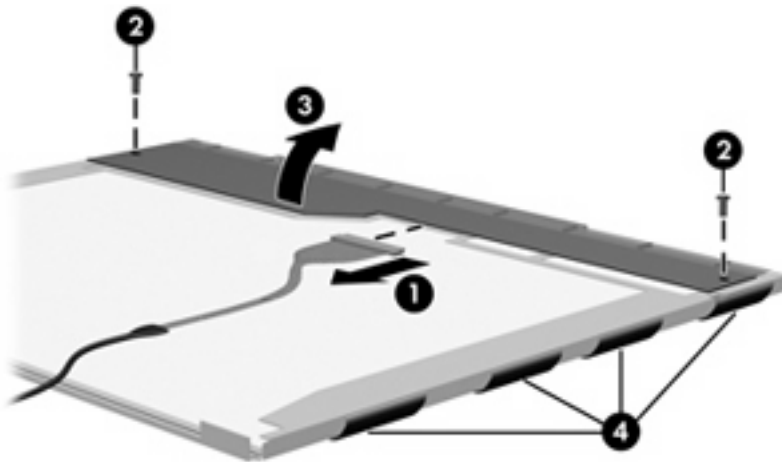


**⚠ WARNING!** The backlight contains mercury. Caution should be exercised when removing and handling the backlight to avoid damaging this component and causing exposure to the mercury.

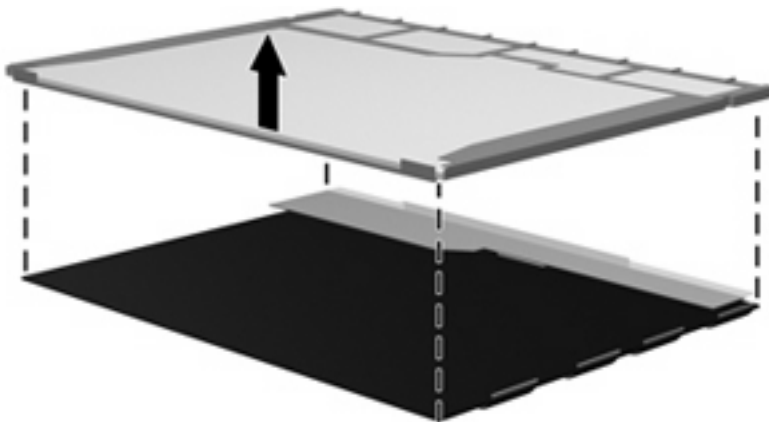
18. Slide the backlight out of the backlight frame.



19. Disconnect the display cable (1) from the LCD panel.
20. Remove the screws (2) that secure the LCD panel to the display rear panel.
21. Release the LCD panel (3) from the display rear panel.
22. Release the tape (4) that secures the LCD panel to the display rear panel.



23. Remove the LCD panel.



24. Recycle the LCD panel and backlight.

---

# Index

## A

- AC adapter, spare part number 19, 21
- antennae
  - disconnecting 38
  - illustrated 16
  - location 5
  - spare part number 16, 21
- applications key, Windows 7
- audio, product description 2
- audio-in jack
  - location 6
  - pin assignments 103
- audio-out jack
  - location 6
  - pin assignments 103

## B

- backing up 98
- backup
  - files and folders 99
  - hard drive 99
  - modifications made to the system 100
  - scheduling 100
- base enclosure
  - removal 50
  - spare part number 14, 21, 50
- battery
  - removal 31
  - spare part number 14, 21, 31
  - specifications 76
- battery bay 10
- battery light 5
- battery release latch 10
- bezel
  - removal 47
- boot options 71

- boot order 71
- bottom components 10

## C

- cables, service considerations 25
- caps lock light 6
- chipset, product description 1
- CMOS clearing 29
- components
  - bottom 10
  - front 5
  - keyboard 7
  - left-side 9
  - right-side 9
  - top 6
- computer feet
  - locations 34
  - spare part number 14, 22, 34
- Computer Setup
  - accessing 67
  - Diagnostics menu 70
  - File menu 69
  - navigating and selecting 68
  - restoring factory settings 68
  - Security menu 70
  - System Configuration menu 71
  - using 68
- computer specifications 73
- connector pin assignments
  - audio-in 103
  - audio-out 103
  - external monitor 104
  - headphone 103
  - microphone 103
  - modem 105
  - monitor 104
  - network 105
  - RJ-11 105

- RJ-45 105
- Universal Serial Bus (USB) 106
- connectors, service
  - considerations 25
- creating recovery points 100

## D

- Diagnostics menu 70
- Disk Sanitizer 70
- diskette drive
  - precautions 26
  - product description 2
- display assembly
  - removal 45
  - spare part numbers 12, 22, 45
- display bezel
  - illustrated 16
  - removal 47
  - spare part number 16, 21, 47
- Display Bracket/Hinge Kit
  - spare part number 16
- Display Bracket/Hinge Kit, spare part number 22, 49
- Display Cable Kit, spare part number 16, 22
- display component recycling 109
- display enclosure
  - illustrated 16
  - spare part numbers 16, 21
- display hinge
  - illustrated 16
  - spare part number 16, 49
- display inverter
  - illustrated 16
  - removal 48
  - spare part number 16, 22, 48

Display Label Kit, spare part number 16, 23

display panel  
 illustrated 16  
 removal 48  
 spare part number 16, 22, 48

Display Screw Cover Kit, spare part number 16, 22

Display Screw Kit, spare part number 16, 22

display specifications 74

display switch 6

docking support, product description 3

DriveLock password 70

drives, boot order 71

drives, preventing damage 26

DVD/CD-RW Combo Drive  
 precautions 26  
 removal 39  
 spare part number 14, 18, 21, 39  
 specifications 78

DVD±RW and CD-RW Combo Drive  
 precautions 26  
 removal 39  
 spare part number 14, 18, 21, 39  
 specifications 77

**E**

electrostatic discharge 26

Ethernet, product description 2

Execution Disable 71

external media cards, product description 3

external monitor port  
 location 9  
 pin assignments 104

**F**

fan assembly  
 removal 53  
 spare part number 14, 21, 53

feet  
 locations 34  
 spare part number 14, 22, 34

File menu 69

front components 5

function keys 8

**G**

graphics, product description 1

grounding equipment and methods 28

**H**

hard drive  
 precautions 26  
 product description 2  
 removal 32  
 spare part numbers 15, 18, 21, 32  
 specifications 75

hard drive backup 99

hard drive bay 10

hard drive bracket, removal 33

hard drive cover  
 illustrated 17  
 removal 32

hard drive recovery 101

hard drive test 70

headphone jack  
 location 6  
 pin assignments 103

heat sink  
 removal 55  
 spare part number 14, 22, 55

hinge  
 illustrated 16  
 removal 49  
 spare part number 16, 49

**I**

I/O address specifications 81

interrupt specifications 80

inverter  
 illustrated 16  
 removal 48  
 spare part number 16, 22, 48

**K**

keyboard  
 product description 3

removal 43  
 spare part numbers 13, 21, 43

keyboard components 7

keypad keys 8

keys  
 esc 7  
 fn 7  
 function 8  
 Windows applications 7  
 Windows logo 7

**L**

LAN Power Save 71

language, changing in Computer Setup 71

left-side components 9

legacy support, USB 67, 71

**M**

mass storage devices, spare part numbers 18

memory check 70

memory map specifications 83

memory module  
 product description 1  
 removal 35  
 spare part numbers 15, 20, 22, 35

memory/WLAN module  
 compartment 10

memory/WLAN module  
 compartment cover  
 illustrated 17  
 removal 35

microphone jack  
 location 6  
 pin assignments 103

model name 1

modem jack  
 location 9  
 pin assignments 105

modem module, product description 2

monitor port  
 location 9  
 pin assignments 104

**N**

navigating in Computer Setup 68

- network jack
  - location 9
  - pin assignments 105

## O

- operating system, product description 3
- optical drive
  - location 9
  - precautions 26
  - product description 2
  - removal 39
  - spare part numbers 14, 18, 39
  - specifications 77, 78
- optical drive bracket, removal 40

## P

- packing guidelines 27
- panels, product description 1
- parallel port mode 71
- password clearing 29
- passwords 70
- PC Card assembly
  - removal 62
  - spare part number 13, 22, 62
- PC Card eject button 9
- PC Card slot 9
- PC Card slot bezel, spare part number 13, 21, 62
- plastic parts 25
- Plastics/Hardware Kit
  - contents 17
  - spare part number 13, 17, 23
- pointing device
  - components 8
  - product description 3
- ports, product description 3
- power button 6
- power connector 9
- power cord
  - set requirements 107
  - spare part numbers 19, 20
- power light 7
- power requirements, product description 3
- power-on password 70

- processor
  - product description 1
  - removal 57
  - spare part numbers 14, 22, 57

- product description
  - audio 2
  - chipset 1
  - diskette drive 2
  - docking support 3
  - Ethernet 2
  - external media cards 3
  - graphics 1
  - hard drives 2
  - keyboard 3
  - memory module 1
  - modem module 2
  - operating system 3
  - optical drives 2
  - panels 1
  - pointing device 3
  - ports 3
  - power requirements 3
  - processors 1
  - product name 1
  - security 3
  - serviceability 3
  - wireless 3
- product name 1

## R

- recovery discs
  - creating 97
  - using 101
- recovery partition 102
- recovery points 100
- removal/replacement
  - preliminaries 25
  - procedures 30
- restoring Computer Setup factory settings 68
- right-side components 9
- RJ-11 jack
  - location 9
  - pin assignments 105
- RJ-45 jack
  - location 9
  - pin assignments 105

- RTC battery
  - removal 52
  - spare part number 13, 22, 52
- Rubber Feet Kit, spare part number 14, 22, 34

## S

- scheduling backups 100
- Screw Kit
  - contents 85
  - spare part number 19, 22
- screw listing 85
- security cable slot 9
- Security menu 70
- security, product description 3
- selecting in the Computer Setup 68
- serial number 11, 30
- service considerations 25
- serviceability, product description 3
- smart card security 70
- speaker
  - location 7
  - removal 58
  - spare part number 13, 22, 58
- specifications
  - battery 76
  - computer 73
  - display 74
  - DVD/CD-RW Combo Drive 78
  - DVD±RW and CD-RW Combo Drive 77
  - hard drive 75
  - I/O addresses 81
  - interrupts 80
  - memory map 83
  - optical drive 77, 78
  - system DMA 79
- startup check 70
- static shielding materials 28
- stringent security 70
- switch cover
  - removal 41
  - spare part numbers 13, 22, 41
- system backup 99

- system board
  - removal 60
  - spare part numbers 14, 22, 60
- System Configuration menu 71
- system DMA 79
- system fan 71
- system information 69
- system memory map 83
- system recovery points 100

- WLAN module
  - removal 37
  - spare part numbers 14, 20, 37
- workstation guidelines 27

## T

- thermal material, replacement 56
- tools required 25
- top components 6
- top cover, spare part number 13, 21
- TouchPad 8
- TouchPad cable
  - removal 64
  - spare part number 13, 22, 64
- TouchPad left button 8
- TouchPad right button 8
- TouchPad scroll zone 8
- transporting guidelines 27

## U

- Universal Serial Bus (USB) port
  - location 9
  - pin assignments 106
- unknown password 29
- USB legacy support 67, 71

## V

- vents 9, 10

## W

- Windows applications key 7
- Windows logo key 7
- wireless antennae
  - disconnecting 38
  - illustrated 16
  - location 5
  - removal 49
  - spare part number 16, 21, 49
- wireless button 6
- wireless light 6
- wireless, product description 3



