

Multimedia

---

User Guide

© Copyright 2007 Hewlett-Packard  
Development Company, L.P.

Windows is a U.S. registered trademark of  
Microsoft Corporation.

The information contained herein is subject  
to change without notice. The only  
warranties for HP products and services are  
set forth in the express warranty statements  
accompanying such products and services.  
Nothing herein should be construed as  
constituting an additional warranty. HP shall  
not be liable for technical or editorial errors  
or omissions contained herein.

First Edition: April 2007

Document Part Number: 438902-001

## Product notice

This user guide describes features that are common to most models. Some features may not be available on your computer.



---

# Table of contents

## 1 Using multimedia hardware

Using the audio features .....	1
Using the audio-in (microphone) jack .....	2
Using the audio-out (headphone) jack .....	2
Adjusting the volume .....	3
Using the Quick Launch buttons .....	4
Using the video features .....	5
Using the external monitor port .....	5
Using the S-Video-out jack (select models only) .....	6
Using the camera (select models only) .....	7
Adjusting camera properties .....	8
Using an optical drive .....	9
Identifying the installed optical drive .....	9
Inserting an optical disc .....	9
Removing an optical disc when running on battery or external power .....	10
Removing an optical disc when no computer power is available .....	11
Using the media activity functions .....	12
Using the media activity hotkeys .....	12
Using the media activity buttons .....	13
Previous/rewind button .....	13
Play/pause button .....	13
Next/fast forward button .....	14
Stop button .....	14

## 2 Working with multimedia software

Opening preinstalled multimedia software .....	16
Installing multimedia software from a disc .....	16
Using multimedia software .....	16
Preventing playback disruptions .....	17
Changing DVD region settings .....	18
Observing the copyright warning .....	18

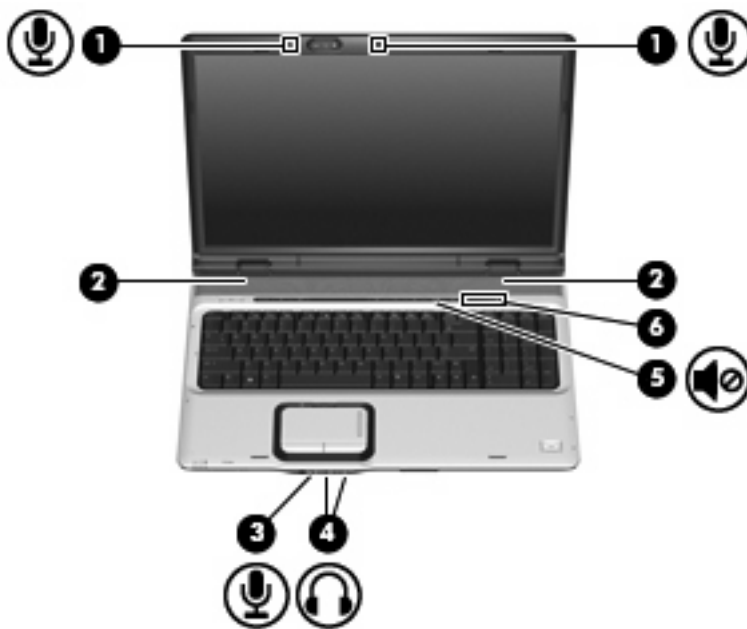
<b>Index .....</b>	<b>19</b>
--------------------	-----------



# 1 Using multimedia hardware

## Using the audio features

The following illustration and table describe the audio features of the computer.



Component	Description
(1) Internal microphones (2)	Record sound.
(2) Speakers (2)	Produce sound.
(3) Audio-in (microphone) jack	Connects an optional computer headset microphone, stereo array microphone, or monaural microphone.
(4) Audio-out (headphone) jack (1 or 2; second jack included on select models only)	Connects optional powered stereo speakers, headphones, ear buds, a headset, or television audio.
(5) Volume mute button	Mutes and restores speaker sound.
(6) Volume scroll zone	Adjusts speaker volume. Slide your finger to the left to decrease volume and to the right to increase volume. You can also tap the minus sign on the scroll zone to decrease volume, or tap the plus sign on the scroll zone to increase volume.

## Using the audio-in (microphone) jack

The computer is equipped with a stereo (dual-channel) microphone jack that supports an optional stereo array or monaural microphone. Using sound recording software with external microphones allows for stereo recordings.

When connecting a microphone to the microphone jack, use a microphone with a 3.5-mm plug.

## Using the audio-out (headphone) jack



---

**WARNING!** To reduce the risk of personal injury, adjust the volume before putting on headphones, earbuds, or a headset.

---



---

**CAUTION:** To prevent possible damage to an external device, do not plug a single sound channel (monaural) connector into the headphone jack.

---

In addition to connecting headphones, the headphone jack is used to connect the audio input function of an audio device such as external powered speakers or a stereo system.

When connecting a device to the headphone jack, use only a 3.5-mm stereo plug.

When a device is connected to the headphone jack, the speakers are disabled.



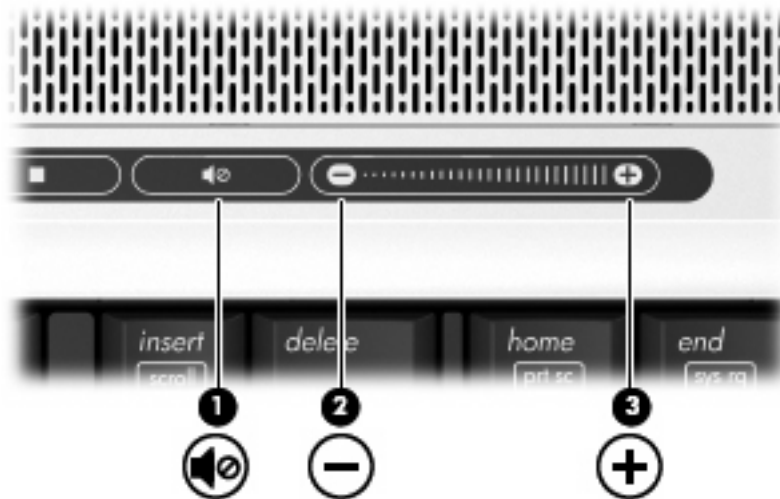
## Adjusting the volume

You can adjust the volume using the following controls:

- Computer volume buttons:
  - To mute or restore volume, press the mute button **(1)**.
  - To decrease volume, press the volume down button **(2)**.
  - To increase volume, press the volume up button **(3)**.



**NOTE:** The tapping sound made by the volume button is enabled at the factory. You can disable the sound in the Setup Utility (f10).



- Windows® volume control:
  - a. Click the **Volume** icon in the notification area, at the far right of the taskbar.
  - b. Increase or decrease the volume by moving the slider up or down. Click the **Mute** icon to mute the volume.

– or –

- a. Right-click the **Volume** icon in the notification area, and then click **Open Volume Mixer**.
- b. In the Device column, increase or decrease the volume by moving the slider up or down. You can also mute the volume by clicking the **Mute** icon.

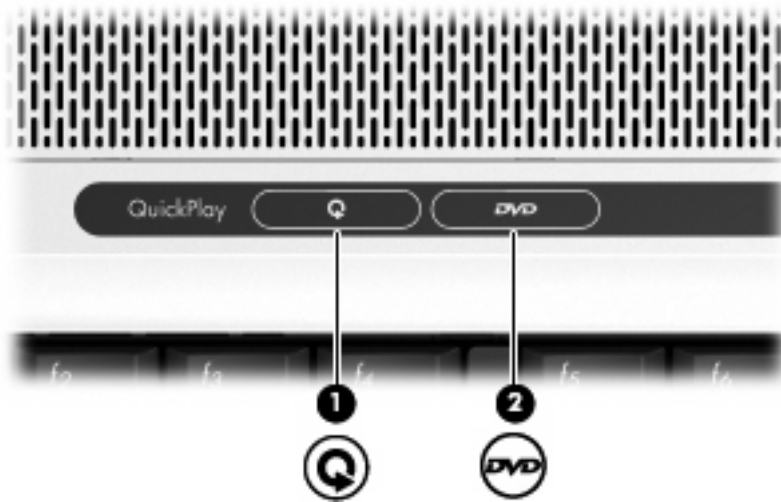
If the Volume icon is not displayed in the notification area, follow these steps to add it:

- a. Right-click in the notification area, and then click **Properties**.
  - b. Click the **Notification Area** tab.
  - c. Under System icons, select the **Volume** check box.
  - d. Click **OK**.
- Program volume control:

Volume can also be adjusted within some programs.

## Using the Quick Launch buttons

The media button (1) and DVD button (2) functions vary by model and installed software. With these buttons, you can watch movies, listen to music, and view pictures.



Pressing the media button launches the QuickPlay program.

Pressing the DVD button launches the DVD playback feature of the QuickPlay program.



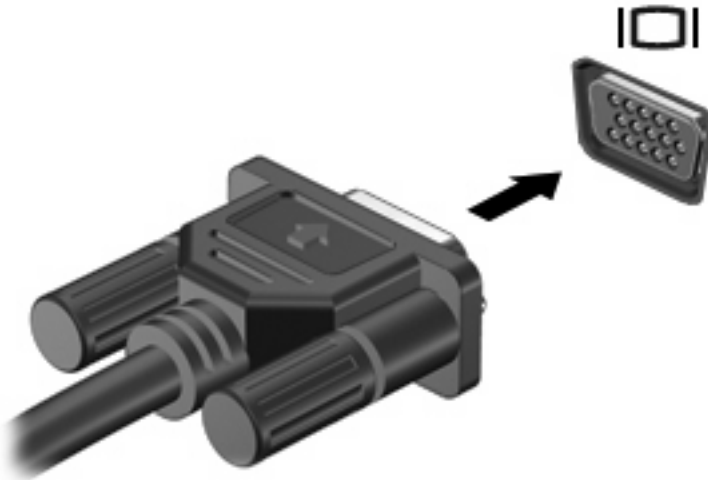
**NOTE:** If the computer has been set up to require a logon password, you may be asked to log on to Windows. QuickPlay launches after you log on. Refer to the QuickPlay online Help for more information.

# Using the video features

## Using the external monitor port

The external monitor port connects an external display device, such as an external monitor or a projector, to the computer.

- ▲ To connect a display device, connect the device cable to the external monitor port.



---

**NOTE:** If a properly connected external display device does not display an image, press **fn +f4** to transfer the image to the device. Repeatedly pressing **fn+f4** alternates the screen image between the computer display and the device.

---

## Using the S-Video-out jack (select models only)

The 7-pin S-Video-out jack connects the computer to an optional S-Video device such as a television, VCR, camcorder, overhead projector, or video capture card.

To transmit video signals through the S-Video-out jack, you need an S-Video cable, available from most electronics retailers. If you are combining audio and video functions, such as playing a DVD movie on your computer and displaying it on your television, you also need a standard audio cable, available from most electronics retailers, to connect to the headphone jack.

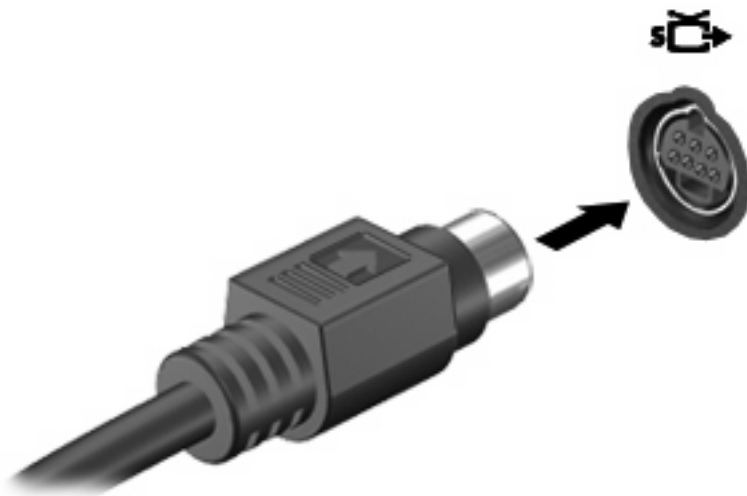
The computer can support one S-Video device connected to the S-Video-out jack, while simultaneously supporting an image on the computer display or on any other supported external display.



**NOTE:** The S-Video connection provides a higher quality image than a composite-video connection.

To connect a video device to the S-Video-out jack:

1. Plug one end of the S-Video cable into the S-Video-out jack on the computer.



**NOTE:** If the S-Video-out jack on the computer is not accessible because the computer is docked in an optional docking device, connect the S-Video cable to the S-Video-out jack on the docking device.

2. Plug the other end of the cable into the video device, as instructed in the user guide included with the device.
3. Press the **fn+f4** keys to switch the image between display devices connected to the computer.

## Using the camera (select models only)

Select computer models include an integrated camera, located on the top of the display. The camera can be used with a variety of software for the following functions:

- Capturing video
- Streaming video with instant message software
- Taking still photos



**NOTE:** For information about using software designed for use with the integrated camera, refer to the online Help for that software.

The camera light (1) turns on when video software accesses the camera (2).



For optimum performance, observe the following guidelines while using the integrated camera:

- Be sure that you have the latest version of an instant message program before attempting a video conversation.
- Your integrated camera may not work properly across some network firewalls. If you are having trouble viewing or sending video to someone on another LAN or outside your network firewall, contact your Internet service provider for assistance.
- Whenever possible, place bright light sources behind the camera and out of the picture area.

## Adjusting camera properties

You can adjust the following camera properties:

- **Brightness**—Controls the amount of light that is incorporated into the image. A higher brightness setting creates a brighter image; a lower brightness setting creates a darker image.
- **Contrast**—Controls the difference between lighter and darker areas on the image. A higher contrast setting intensifies the image; a lower contrast setting maintains more of the original information's dynamic range but leads to a flatter image.
- **Hue**—Controls the aspect of color that distinguishes it from another color (what makes a color red, green, or blue). Hue is distinct from saturation, which measures the intensity of the hue.
- **Saturation**—Controls the strength of color in the final image. A higher saturation setting creates a bolder image; a lower saturation setting creates a more subtle image.
- **Sharpness**—Controls the definition of edges in an image. A higher sharpness setting creates a more defined image; a lower sharpness setting creates a softer image.
- **Gamma**—Controls the contrast affecting the mid-level grays or midtones of an image. Adjusting the gamma of an image allows you to change the brightness values of the middle range of gray tones without dramatically altering the shadows and highlights. A lower gamma setting makes grays look black, and makes dark colors even darker.

The Properties dialog box is accessible from various programs that use the integrated camera, usually from a configuration, settings, or properties menu.

# Using an optical drive

Depending on the type of optical drive and software installed in your computer, the optical drive plays, copies, and creates CDs or DVDs.

## Identifying the installed optical drive

- ▲ Select **Start > Computer**.

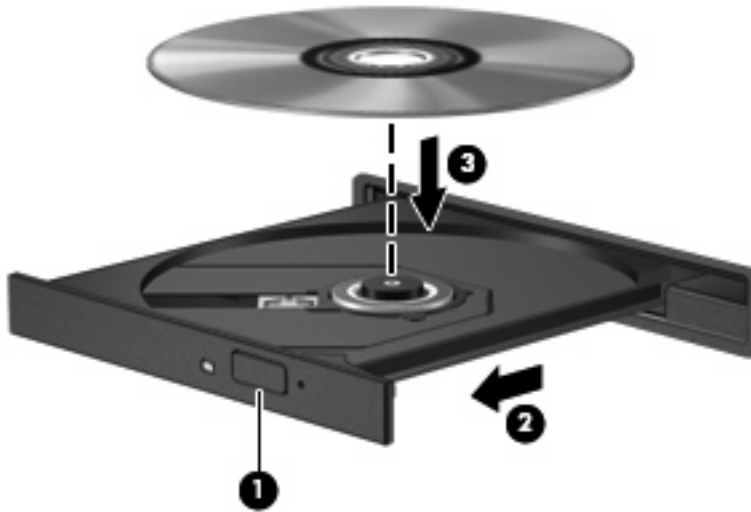
## Inserting an optical disc

1. Turn on the computer.
2. Press the release button (1) on the drive bezel to release the media tray.
3. Pull out the tray (2).
4. Hold the disc by the edges to avoid touching the flat surfaces and position the disc label-side up over the tray spindle.



**NOTE:** If the tray is not fully accessible, tilt the disc carefully to position it over the spindle.

5. Gently press the disc (3) down onto the tray spindle until the disc snaps into place.



6. Close the media tray.



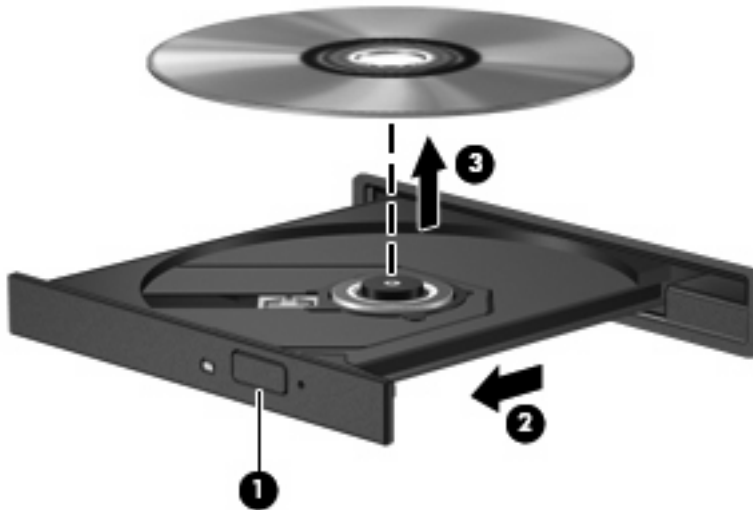
**NOTE:** After you insert a disc, a short pause is normal. If you have not selected a media player, an AutoPlay dialog box opens. It prompts you to select how you want to use the media content.

## Removing an optical disc when running on battery or external power

1. Press the release button **(1)** on the drive bezel to release the media tray, and then gently pull out the tray **(2)** until it stops.
2. Remove the disc **(3)** from the tray by gently pressing down on the spindle while lifting the outer edges of the disc. Hold the disc by the edges and avoid touching the flat surfaces.



**NOTE:** If the tray is not fully accessible, tilt the disc carefully as you remove it.



3. Close the media tray and place the disc in a protective case.

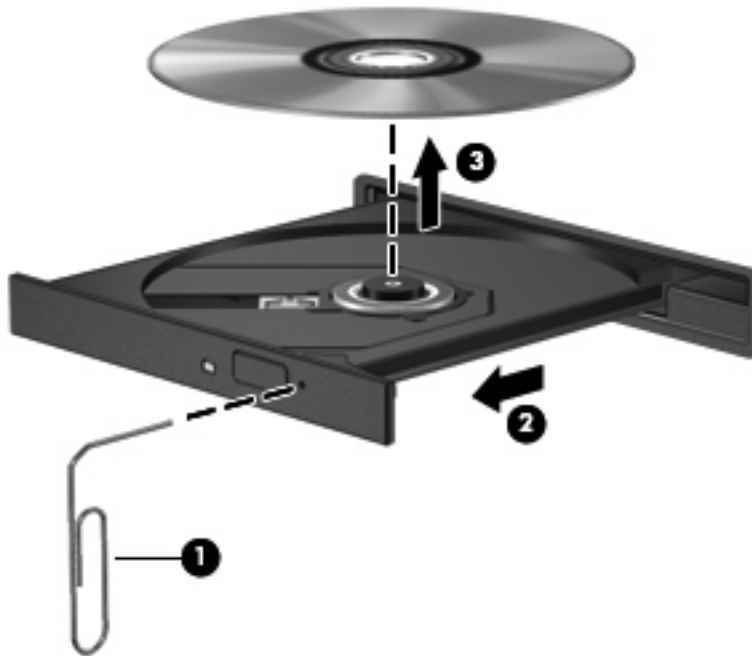


## Removing an optical disc when no computer power is available

1. Insert the end of a paper clip (1) into the release access in the front bezel of the drive.
2. Press in gently on the paper clip until the tray is released, and then pull out the tray (2) until it stops.
3. Remove the disc (3) from the tray by gently pressing down on the spindle while lifting the outer edges of the disc. Hold the disc by the edges and avoid touching the flat surfaces.



**NOTE:** If the tray is not fully accessible, tilt the disc carefully as you remove it.



4. Close the media tray and place the disc in a protective case.

## Using the media activity functions

The media activity hotkeys and the media activity buttons (select models only) control the play of an audio CD or a DVD that is inserted into the optical drive.

### Using the media activity hotkeys

A media activity hotkey is a combination of the **fn** key (1) and a function key.

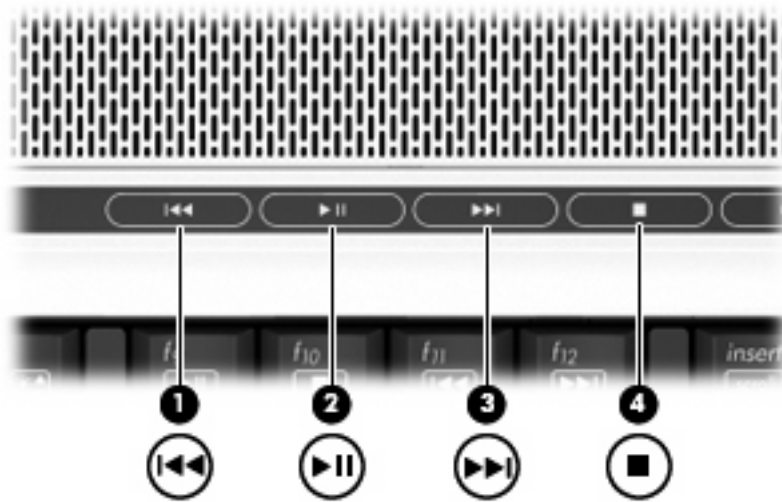
- When an audio CD or a DVD is not playing, press **fn+f9 (2)** to play the disc.
- When an audio CD or a DVD is playing, use the following hotkeys:
  - To pause or resume playing the disc, press **fn+f9 (2)**.
  - To stop the disc, press **fn+f10 (3)**.
  - To play the previous track of an audio CD or the previous chapter of a DVD, press **fn+f11 (4)**.
  - To play the next track of an audio CD or the next chapter of a DVD, press **fn+f12 (5)**.



## Using the media activity buttons

The following illustration and topics describe the functions of the media activity buttons.

- Previous/rewind button (1)
- Play/pause button (2)
- Next/fast forward button (3)
- Stop button (4)



### Previous/rewind button

Media status	Button	Function
Playing	Previous/rewind button	Plays a previous track or chapter.
Playing	fn + previous/rewind button	Rewinds the playback.

### Play/pause button

Media status	Button	Function
Not playing	Play/pause button	Plays the media.
Playing	Play/pause button	Pauses the playback.

## Next/fast forward button

Media status	Button	Function
Playing	Next/fast forward button	Plays the next track or chapter.
Playing	fn + next/fast forward button	Fast forwards the playback.

## Stop button

Media status	Button	Function
Playing	Stop button	Stops the playback.

---

## 2 Working with multimedia software

The computer includes preinstalled multimedia software. Some computer models also include additional multimedia software on an optical disc.

Depending on the hardware and software included with the computer, the following multimedia tasks may be supported:

- Playing digital media, including audio and video CDs, audio and video DVDs, and Internet radio
- Creating or copying data CDs
- Creating, editing, and burning audio CDs
- Creating, editing, and burning a video or movie to a DVD or video CD



**CAUTION:** To prevent loss of information or damage to a disc, observe the following guidelines:

Before writing to a disc, connect the computer to a reliable external power source. Do not write to a disc while the computer is running on battery power.

Before writing to a disc, close all open programs except the disc software you are using.

Do not copy directly from a source disc to a destination disc or from a network drive to a destination disc. Instead, copy from a source disc or network drive to your hard drive, and then copy from your hard drive to the destination disc.

Do not use the computer keyboard or move the computer while the computer is writing to a disc. The write process is sensitive to vibration.



**NOTE:** For information about using software included with the computer, refer to the software manufacturer's instructions that may be provided on disc, as online Help files, or on the software manufacturer's Web site.

---

## Opening preinstalled multimedia software

1. Select **Start > All Programs**.
2. Click the program that you want to open.

## Installing multimedia software from a disc

1. Insert the disc into the optical drive.
2. When the installation wizard opens, follow the on-screen instructions.
3. Restart the computer if prompted to do so.

## Using multimedia software

1. Select **Start > All Programs**, and then select the multimedia program you want to use. For example, if you want to use QuickPlay to play an audio CD, click **QuickPlay**.



---

**NOTE:** Some programs may be located in subfolders.

---

2. Insert the media disc, such as an audio CD, into the optical drive.
3. Follow the instructions on the screen.

– or –

1. Insert the media disc, such as an audio CD, into the optical drive.  
An AutoPlay dialog box opens.
2. Click a multimedia task from the list of tasks.

# Preventing playback disruptions

To reduce the possibility of playback disruption:

- Save your work and close all open programs before playing a CD or a DVD.
- Do not connect or disconnect hardware while playing a disc.

Do not initiate Hibernation or Sleep while playing a disc. Otherwise, you may see a warning message asking if you want to continue. If this message is displayed, click **No**. After you click No:

- Playback may resume.  
– or –
- The playback window in the multimedia program may close. To return to playing the CD or DVD, click the **Play** button in your multimedia program to restart the disc. In rare cases, you may need to exit the program and then restart it.

## Changing DVD region settings

Most DVDs that contain copyrighted files also contain region codes. The region codes help protect copyrights internationally.

You can play a DVD containing a region code only if the region code on the DVD matches the region setting on your DVD drive.



**CAUTION:** The region settings on your DVD drive can be changed only 5 times.

The region setting you select the fifth time becomes the permanent region setting on the DVD drive.

The number of allowable region changes remaining on the drive is displayed in the Changes remaining box on the DVD Region tab. The number in the field includes the fifth and permanent change.

---

To change settings through the operating system:

1. Select **Start > Computer > System properties**.
2. In the left pane, click **Device Manager**.



**NOTE:** Windows includes the User Account Control feature to improve the security of your computer. You may be prompted for your permission or password for tasks such as installing applications, running utilities, or changing Windows settings. Refer to Windows online Help for more information.

---

3. Click the "+" sign next to **DVD/CD-ROM drives**.
4. Right-click the DVD drive for which you want to change region settings, and then click **Properties**.
5. Make the desired changes on the **DVD Region** tab.
6. Click **OK**.

## Observing the copyright warning

It is a criminal offense, under applicable copyright laws, to make unauthorized copies of copyright-protected material, including computer programs, films, broadcasts, and sound recordings. Do not use this computer for such purposes.



---

# Index

## A

audio features 1  
audio-in (microphone) jack 2  
audio-in (microphone) jack,  
identifying 1  
audio-out (headphone) jack 1, 2

## B

buttons  
DVD 4  
media 4  
next/fast forward 13  
play/pause 13  
previous/rewind 13  
stop 13  
volume mute 1, 3

## C

camera  
identifying 7  
properties 8  
CD  
inserting 9  
playing 17  
protecting 15  
removing, with power 10  
removing, without power 11  
writing to 15  
copyright warning 18

## D

DVD  
changing region setting 18  
inserting 9  
playing 17  
protecting 15  
removing, with power 10  
removing, without power 11  
writing to 15  
DVD button 4

DVD region settings 18

## E

earbuds 1  
external monitor port 5

## H

headphones 1

## I

internal microphone, identifying 1

## J

jacks  
audio-in (microphone) 1, 2  
audio-out (headphone) 1, 2  
S-Video-out 6

## M

media activity buttons 13  
media activity hotkeys 12  
media button 4  
microphone (audio-in) jack 1  
microphone, internal 1  
microphones, supported 2  
monitor, connecting 5  
multimedia software  
described 15  
using 16  
mute button 3  
mute button, identifying 1

## O

optical disc  
inserting 9  
removing, with power 10  
removing, without power 11  
writing to 15

optical drive  
playing 17  
protecting 15

## P

ports  
external monitor 5  
programs  
multimedia 15  
using 16  
projector, connecting 5  
protecting playback 17

## Q

Quick Launch buttons 4  
QuickPlay 4

## R

region codes, DVD 18

## S

S-Video-out jack 6  
software  
multimedia 15  
using 16  
speakers 1

## T

TV 2

## V

VCR 2  
volume mute button 3  
volume mute button, identifying 1  
volume scroll zone, identifying 1  
volume, adjusting 3

