

Notebook Tour

User Guide

© Copyright 2007 Hewlett-Packard
Development Company, L.P.

Microsoft and Windows are U.S. registered
trademarks of Microsoft Corporation.
Bluetooth is a trademark owned by its
proprietor and used by Hewlett-Packard
Company under license. SD Logo is a
trademark of its proprietor.

The information contained herein is subject
to change without notice. The only
warranties for HP products and services are
set forth in the express warranty statements
accompanying such products and services.
Nothing herein should be construed as
constituting an additional warranty. HP shall
not be liable for technical or editorial errors
or omissions contained herein.

Second Edition: June 2007

First Edition: April 2007

Document Part Number: 438948-002

Product notice

This user guide describes features that are common to most models. Some features may not be available on your computer.

Table of contents

1 Identifying hardware

2 Components

Top components	2
TouchPad	2
Lights	3
Buttons and speakers	4
Keys	5
Front components	6
Rear components	7
Right-side components	8
Left-side components	9
Bottom components	11
Display components	12
Wireless antennae (select models only)	13
Additional hardware components	14


3 Labels

Index	16
-------------	----

1 Identifying hardware

To see a list of hardware installed in the computer, follow these steps:

1. Select **Start > Computer > System properties**.
2. In the left pane, click **Device Manager**.

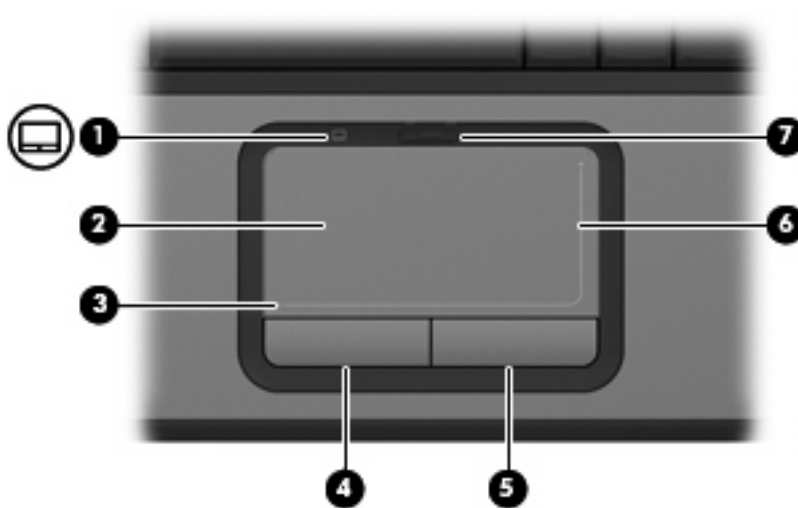
 **NOTE:** Windows® includes the User Account Control feature to improve the security of your computer. You may be prompted for your permission or password for tasks such as installing applications, running utilities, or changing Windows settings. Refer to Windows online Help for more information.

You can also add hardware or modify device configurations using Device Manager.

2 Components

Top components

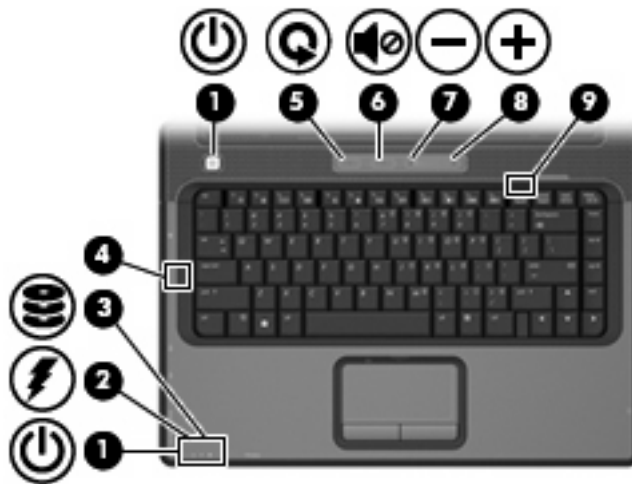
TouchPad



Component	Description
(1) TouchPad light	<ul style="list-style-type: none">• Blue: TouchPad is enabled.• Amber: TouchPad is disabled.
(2) TouchPad*	Moves the pointer and selects or activates items on the screen.
(3) TouchPad horizontal scroll zone*	Scrolls left or right.
(4) Left TouchPad button*	Functions like the left button on an external mouse.
(5) Right TouchPad button*	Functions like the right button on an external mouse.
(6) TouchPad vertical scroll zone*	Scrolls up or down.
(7) TouchPad on/off button	Enables/disables the TouchPad.

*This table describes factory settings. To view and change pointing device preferences, select **Start > Control Panel > Hardware and Sound > Mouse**.

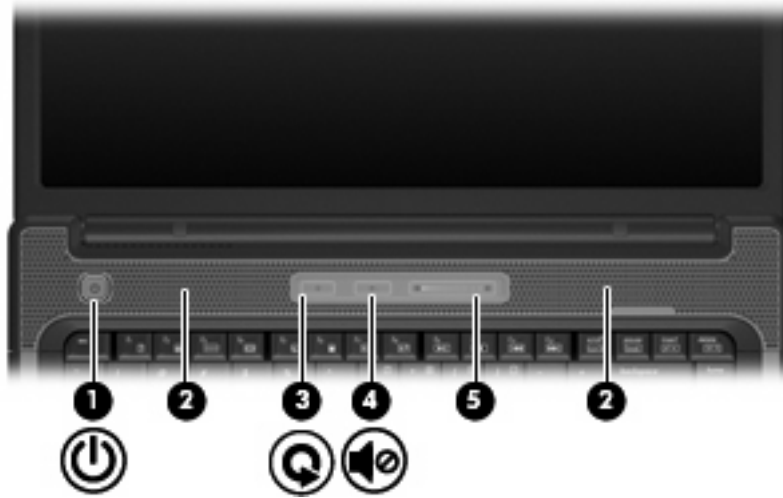
Lights



Component	Description
(1) Power lights (2)*	<ul style="list-style-type: none"> On: The computer is on. Blinking: The computer is in the Sleep state. Off: The computer is off or in Hibernation.
(2) Battery light	<ul style="list-style-type: none"> On: A battery is charging. Blinking: A battery that is the only available power source has reached a low battery level or a critical battery level. Off: If the computer is plugged into an external power source, the light is turned off when all batteries in the computer are fully charged. If the computer is not plugged into an external power source, the light stays off until the battery reaches a low battery level.
(3) Drive light	Blinking: The hard drive or optical drive is being accessed.
(4) Caps lock light	On: Caps lock is on.
(5) Media button light	Blinks once when the media button is pressed.
(6) Volume mute light	<ul style="list-style-type: none"> Blue: Computer sound is turned on. Amber: Computer sound is turned off.
(7) Volume down light	Blinking: The volume scroll zone is being used to decrease speaker volume.
(8) Volume up light	Blinking: The volume scroll zone is being used to increase speaker volume.
(9) Num lock light	On: Num lock is on or the embedded numeric keypad is enabled.

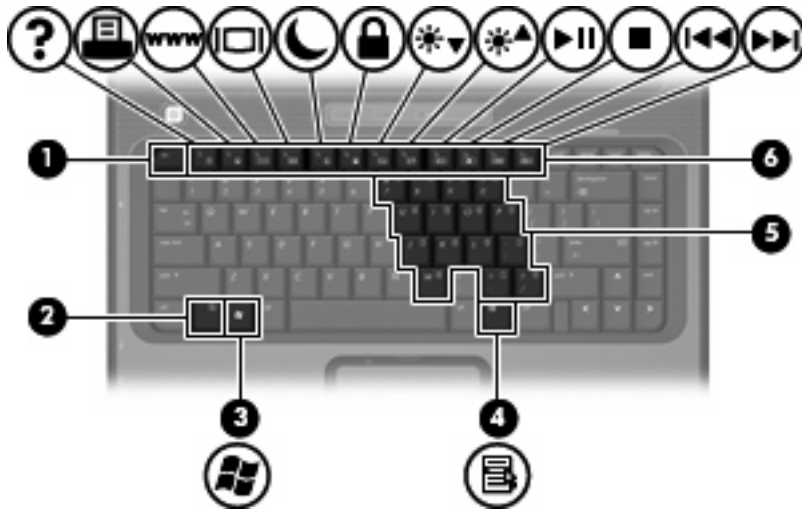
*The 2 power lights display the same information. The light on the power button is visible only when the computer is open. The power light on the front of the computer is visible whether the computer is open or closed.

Buttons and speakers



Component	Description
(1) Power button*	<ul style="list-style-type: none"> When the computer is off, press the button to turn on the computer. When the computer is on, press the button to initiate Sleep. When the computer is in the Sleep state, press the button briefly to exit Sleep. When the computer is in Hibernation, press the button briefly to exit Hibernation. <p>If the computer has stopped responding and Windows® shutdown procedures are ineffective, press and hold the power button for at least 5 seconds to turn off the computer.</p> <p>To learn more about your power settings, select Start > Control Panel > System and Maintenance > Power Options.</p>
(2) Speakers (2)	Produce sound.
(3) Media button	<ul style="list-style-type: none"> Launches the QuickPlay program (for models with QuickPlay preinstalled). Launches the DVDPlay program (for models with DVDPlay preinstalled). <p>NOTE: If the computer has been set up to require a logon password, you may be asked to log on to Windows. QuickPlay or DVDPlay launches after you log on. Refer to the QuickPlay or DVDPlay online Help for more information.</p>
(4) Volume mute button	Mutes and restores speaker sound.
(5) Volume scroll zone	Adjusts speaker volume. Slide your finger to the left to decrease volume and to the right to increase volume. You can also tap the minus sign on the scroll zone to decrease volume, or tap the plus sign on the scroll zone to increase volume.
*This table describes factory settings. For information about changing factory settings, refer to the user guides located in Help and Support.	

Keys



Component	Description
(1) <code>esc</code> key	Displays system information when pressed in combination with the <code>fn</code> key.
(2) <code>fn</code> key	Executes frequently used system functions when pressed in combination with a function key or the <code>esc</code> key.
(3) Windows logo key	Displays the Windows Start menu.
(4) Windows applications key	Displays a shortcut menu for items beneath the pointer.
(5) Embedded numeric keypad keys	Can be used like the keys on an external numeric keypad.
(6) Function keys	Execute frequently used system functions when pressed in combination with the <code>fn</code> key.

Front components



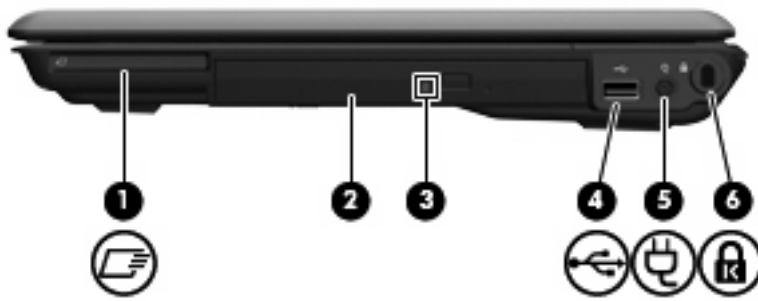
Component	Description
(1) Wireless switch	<p>Turns the wireless feature on or off, but does not create a wireless connection.</p> <p>NOTE: To establish a wireless connection, a wireless network must already be set up.</p>
(2) Wireless light	<ul style="list-style-type: none">• Blue: An integrated wireless device, such as a wireless local area network (WLAN) device and/or a Bluetooth® device, is turned on.• Amber: An integrated wireless device is turned off.
(3) Consumer infrared lens	Receives a signal from a remote control device, such as an HP Remote Control.
(4) Audio-in (microphone) jack	Connects an optional computer headset microphone, stereo array microphone, or monaural microphone.
(5) Audio-out (headphone) jack	Produces sound when connected to optional powered stereo speakers, headphones, ear buds, a headset, or television audio.

Rear components



Component	Description
Vent	<p data-bbox="794 457 1214 478">Enables airflow to cool internal components.</p> <p data-bbox="794 510 1466 611">CAUTION: To prevent overheating, do not obstruct vents. Use the computer only on a hard, flat surface. Do not allow another hard surface, such as an adjoining optional printer, or a soft surface, such as pillows or thick rugs or clothing, to block airflow.</p> <p data-bbox="794 642 1466 726">NOTE: The computer fan starts up automatically to cool internal components and prevent overheating. It is normal for the internal fan to cycle on and off during routine operation.</p>


Right-side components

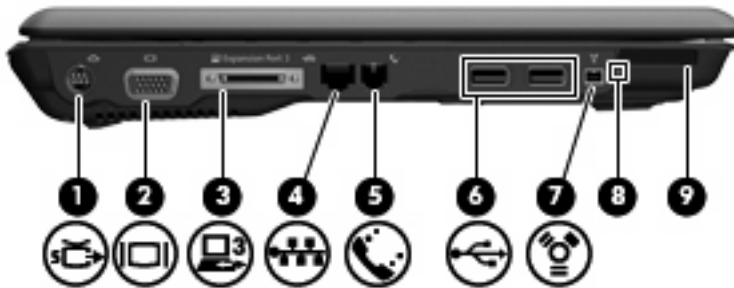


Component	Description
(1) ExpressCard slot	Supports optional ExpressCard/54 cards.
(2) Optical drive	Reads optical discs and, on select models, also writes to optical discs.
(3) Optical drive light	Blinking: The optical drive is being accessed.
(4) USB port	Connects an optional USB device.
(5) Power connector	Connects an AC adapter.
(6) Security cable slot	Attaches an optional security cable to the computer.

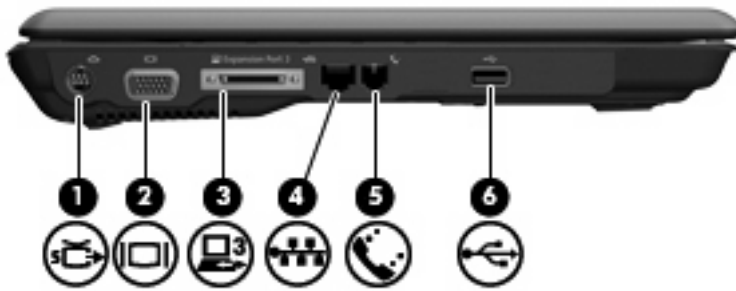
NOTE: The security cable is designed to act as a deterrent, but may not prevent the computer from being mishandled or stolen.

Left-side components

 **NOTE:** Refer to the illustration that most closely matches your computer.

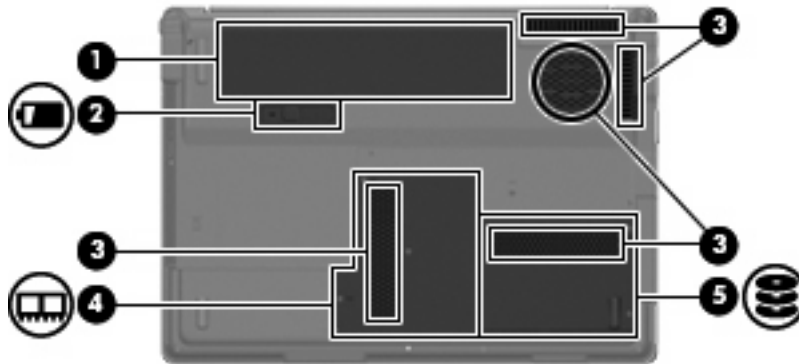


Component	Description
(1) S-Video-out jack	Connects an optional S-Video device such as a television, VCR, camcorder, overhead projector, or video capture card.
(2) External monitor port	Connects an external VGA monitor or projector.
(3) Expansion port 3	Connects the computer to an optional docking device or optional expansion product. NOTE: The computer has only one expansion port. The term <i>expansion port 3</i> describes the type of expansion port.
(4) RJ-45 (network) jack	Connects a network cable.
(5) RJ-11 (modem) jack	Connects a modem cable.
(6) USB port (1 or 2, depending on computer model)	Connects an optional USB device.
(7) 1394 port (select models only)	Connects an optional IEEE 1394 or 1394a device, such as a camcorder.
(8) Digital Media Slot light (select models only)	On: A digital card is being accessed.
(9) Digital Media Slot (select models only)	Supports the following optional digital card formats: <ul style="list-style-type: none"> • Memory Stick (MS) • Memory Stick Pro (MSP) • MultiMediaCard (MMC) • Secure Digital Input/Output (SD I/O) • Secure Digital (SD) Memory Card • xD-Picture Card (XD) • xD-Picture Card (XD) Type H • xD-Picture Card (XD) Type M



Component	Description
(1) S-Video-out jack	Connects an optional S-Video device such as a television, VCR, camcorder, overhead projector, or video capture card.
(2) External monitor port	Connects an external VGA monitor or projector.
(3) Expansion port 3	Connects the computer to an optional docking device or optional expansion product. NOTE: The computer has only one expansion port. The term <i>expansion port 3</i> describes the type of expansion port.
(4) RJ-45 (network) jack	Connects a network cable.
(5) RJ-11 (modem) jack	Connects a modem cable.
(6) USB port	Connects an optional USB device.

Bottom components



Component	Description
(1) Battery bay	Holds the battery.
(2) Battery release latch	Releases the battery from the battery bay.
(3) Vents (5)	Enable airflow to cool internal components. CAUTION: To prevent overheating, do not obstruct vents. Use the computer only on a hard, flat surface. Do not allow another hard surface, such as an adjoining optional printer, or a soft surface, such as pillows or thick rugs or clothing, to block airflow. NOTE: The computer fan starts up automatically to cool internal components and prevent overheating. It is normal for the internal fan to cycle on and off during routine operation.
(4) Memory module compartment	Contains the memory module slots.
(5) Hard drive bay	Holds the hard drive.

Display components



Component	Description
(1) Internal microphones (2) (select models only)	Record sound. NOTE: If there is a microphone icon next to each microphone opening, your computer has internal microphones.
(2) Internal display switch*	Turns off the display if the display is closed while the computer is on.


*Depending on your computer model, the internal display switch on the computer may vary in location.

Wireless antennae (select models only)

On select computer models, at least 2 antennae send and receive signals from one or more wireless devices. These antennae are not visible from the outside of the computer.

To see wireless regulatory notices, refer to your country's section of the *Regulatory, Safety and Environmental Notices* located in Help and Support.



 **NOTE:** For optimal transmission, keep the areas immediately around the antennae free from obstructions.

Additional hardware components



Component	Description
(1) Power cord*	Connects an AC adapter to an AC outlet.
(2) AC adapter	Converts AC power to DC power.
(3) Battery*	Powers the computer when the computer is not plugged into external power.

*Batteries and power cords vary in appearance by region and country.

3 Labels

The labels affixed to the computer provide information you may need when you troubleshoot system problems or travel internationally with the computer.

- Service tag—Provides the product brand and series name, serial number (s/n), and product number (p/n) of your computer. Have this information available when you contact technical support. The service tag label is affixed to the bottom of the computer.
- Microsoft® Certificate of Authenticity—Contains the Windows® Product Key. You may need the Product Key to update or troubleshoot the operating system. This certificate is affixed to the bottom of the computer.
- Regulatory label—Provides regulatory information about the computer. The regulatory label is affixed inside the battery bay.
- Modem approval label—Provides regulatory information about the modem and lists the agency approval markings required by some of the countries in which the modem has been approved for use. You may need this information when traveling internationally. The modem approval label is affixed inside the memory module compartment.
- Wireless certification label(s) (select models only)—Provide information about optional wireless devices and the approval markings of some of the countries in which the devices have been approved for use. An optional device may be a wireless local area network (WLAN) device or an optional Bluetooth® device. If your computer model includes one or more wireless devices, one or more certification labels are included with your computer. You may need this information when traveling internationally. Wireless certification labels are affixed inside the memory module compartment.

Index

Symbols/Numerics

1394 port, identifying 9

A

AC adapter, identifying 14

antennae 13

applications key, Windows 5

audio-in (microphone) jack,
identifying 6

audio-out (headphone) jack,
identifying 6

B

battery bay 15

battery bay, identifying 11

battery light, identifying 3

battery release latch,
identifying 11

battery, identifying 14

bays

battery 11, 15

hard drive 11

Bluetooth label 15

buttons

media 4

power 4

TouchPad 2

TouchPad on/off 2

volume mute 4

C

caps lock light, identifying 3

Certificate of Authenticity label 15

compartment, memory
module 11

components

additional hardware 14

bottom 11

display 12

front 6

left-side 9

rear 7

right-side 8

top 2

connector, power 8

cord, power 14

D

Digital Media Slot light,
identifying 9

Digital Media Slot, identifying 9

display switch, identifying 12

drive light, identifying 3

drives

hard drive 11

optical drive 8

E

esc key, identifying 5

expansion port, identifying 9, 10

external monitor port,
identifying 9, 10

F

fn key, identifying 5

function keys, identifying 5

H

hard drive bay, identifying 11

headphone (audio-out) jack 6

I

IEEE 1394 port, identifying 9

infrared lens, identifying 6

internal display switch,
identifying 12

internal microphones,
identifying 12

J

jacks

audio-in (microphone) 6

audio-out (headphone) 6

RJ-11 (modem) 9, 10

RJ-45 (network) 9, 10

S-Video-out 9, 10

K

keypad keys, identifying 5

keys

esc 5

fn 5

function 5

keypad 5

Windows applications 5

Windows logo 5

L

labels

Bluetooth 15

Microsoft Certificate of
Authenticity 15

modem approval 15

regulatory 15

service tag 15

wireless certification 15

WLAN 15

latch, battery release 11

lights

battery 3

caps lock 3

Digital Media Slot 9

drive 3

media button 3

mute 3

num lock 3

optical drive 8

power 3

TouchPad 2

- volume down 3
 - volume mute 3
 - volume up 3
 - wireless 6
- M**
- media button light, identifying 3
 - media button, identifying 4
 - memory module compartment, identifying 11
 - microphone (audio-in) jack 6
 - Microsoft Certificate of Authenticity label 15
 - modem approval label 15
 - monitor port, external 9, 10
 - mute button, identifying 4
 - mute light, identifying 3
- N**
- num lock light, identifying 3
- O**
- operating system
 - Microsoft Certificate of Authenticity label 15
 - Product Key 15
 - optical drive light, identifying 8
 - optical drive, identifying 8
- P**
- ports
 - 1394 9
 - expansion 9, 10
 - external monitor 9, 10
 - USB 8, 9, 10
 - power button, identifying 4
 - power connector, identifying 8
 - power cord, identifying 14
 - power lights, identifying 3
 - Product Key 15
 - product name and number, computer 15
- R**
- regulatory information
 - modem approval label 15
 - regulatory label 15
 - wireless certification labels 15
 - RJ-11 (modem) jack, identifying 9, 10
 - RJ-45 (network) jack, identifying 9, 10
- S**
- S-Video-out jack, identifying 9, 10
 - scrolling regions, TouchPad 2
 - security cable slot, identifying 8
 - serial number, computer 15
 - service tag 15
 - slots
 - Digital Media 9
 - memory module 11
 - security cable 8
 - speakers, identifying 4
- T**
- TouchPad
 - buttons 2
 - identifying 2
 - scrolling regions 2
 - Touchpad
 - buttons 2
 - scrolling regions 2
 - TouchPad light, identifying 2
 - TouchPad on/off button 2
 - traveling with the computer
 - modem approval label 15
 - wireless certification labels 15
- U**
- USB ports, identifying 8, 9, 10
- V**
- vents, identifying 7, 11
 - volume down light, identifying 3
 - volume mute button, identifying 4
 - volume mute light, identifying 3
 - volume scroll zone, identifying 4
 - volume up light, identifying 3
- W**
- Windows applications key, identifying 5
 - Windows logo key, identifying 5
 - wireless antennae 13
 - wireless certification label 15
 - wireless light, identifying 6
 - wireless switch, identifying 6
 - WLAN device 15
 - WLAN label 15

