


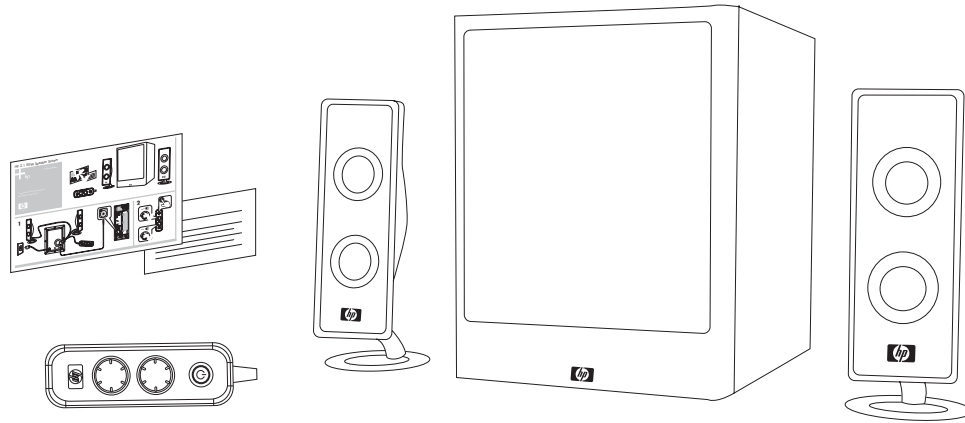

HP 2.1 50W Speaker System



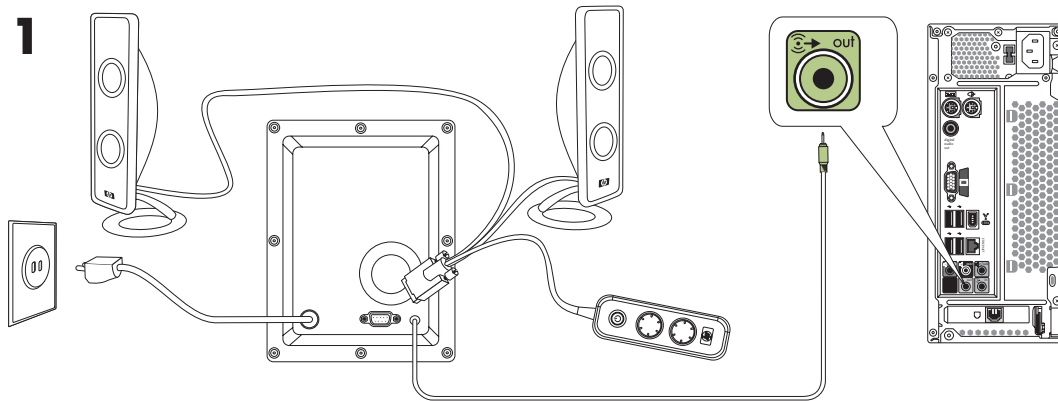
Product Number
ED809AA#ABA

Copyright © 2005 Hewlett-Packard
Development Company, L.P.

Printed in China



1



2

