

Compaq Presario V6500 Notebook PC
Maintenance and Service Guide

© Copyright 2007 Hewlett-Packard
Development Company, L.P.

AMD, Athlon, Turion, and combinations thereof, are trademarks of Advanced Micro Devices, Inc. Bluetooth is a trademark owned by its proprietor and used by Hewlett-Packard Company under license. Intel and Core are trademarks or registered trademarks of Intel Corporation or its subsidiaries in the United States and other countries. Microsoft, Windows, and Windows Vista are either trademarks or registered trademarks of Microsoft Corporation in the United States and/or other countries. SD Logo is a trademark of its proprietor.

The information contained herein is subject to change without notice. The only warranties for HP products and services are set forth in the express warranty statements accompanying such products and services. Nothing herein should be construed as constituting an additional warranty. HP shall not be liable for technical or editorial errors or omissions contained herein.

Third Edition: July 2007

First Edition: April 2007

Document Part Number: 443430-003

Safety warning notice

- ⚠ **WARNING!** To reduce the possibility of heat-related injuries or of overheating the computer, do not place the computer directly on your lap or obstruct the computer air vents. Use the computer only on a hard, flat surface. Do not allow another hard surface, such as an adjoining optional printer, or a soft surface, such as pillows or rugs or clothing, to block airflow. Also, do not allow the AC adapter to contact the skin or a soft surface, such as pillows or rugs or clothing, during operation. The computer and the AC adapter comply with the user-accessible surface temperature limits defined by the International Standard for Safety of Information Technology Equipment (IEC 60950).
-

Table of contents

1 Product description

2 External component identification

Top components	6
Display components	6
Buttons and speakers	7
Keys	8
Lights	9
TouchPad	10
Front components	11
Left-side components	12
Rear component	13
Right-side components	13
Bottom components	14

3 Illustrated parts catalog

Serial number location	15
Computer major components	16
Display assembly components	22
Plastics Kit	24
Cable Kit	25
Mass storage devices	26
Miscellaneous parts	27
Sequential part number listing	28

4 Removal and replacement procedures

Preliminary replacement requirements	35
Tools required	35
Service considerations	35
Plastic parts	35
Cables and connectors	36
Drive handling	36
Grounding guidelines	37
Electrostatic discharge damage	37
Packaging and transporting guidelines	38
Workstation guidelines	38
Equipment guidelines	39
Unknown user password	40

Component replacement procedures	41
Serial number	41
Battery	42
Hard drive	43
Computer feet	45
Memory module	45
RTC battery	47
WLAN module	48
Optical drive	51
Switch cover	53
Keyboard	55
Power button board	57
Display assembly	59
Top cover	65
Bluetooth module	68
ExpressCard assembly	69
USB/power connector board	71
System board	72
Audio board	75
Fan/heat sink assembly	76
Processor	79

5 Setup Utility

Starting the Setup Utility	81
Changing the language of the Setup Utility	81
Navigating and selecting in the Setup Utility	82
Displaying system information	82
Restoring default settings in the Setup Utility	82
Using advanced Setup Utility features	83
Closing the Setup Utility	83
Setup Utility menus	84

6 Specifications

Computer specifications	86
15.4-inch, WXGA, BrightView display specifications	87
Hard drive specifications	88
DVD±RW and CD-RW Super Multi Double-Layer Combo Drive specifications	89
System DMA specifications, Intel	90
System DMA specifications, AMD	91
System interrupt specifications, Intel	92
System interrupt specifications, AMD	93
System I/O address specifications, Intel	94
System I/O address specifications, AMD	96
System memory map specifications, Intel	98
System memory map specifications, AMD	99

7 Screw listing

Phillips PM2.0×5.0 captive screw	100
Phillips PM3.0×3.0 screw	102

Phillips PM2.0×3.0 screw	103
Phillips PM2.5×7.0 screw	105
Phillips PM2.5×10.0 screw	108
Phillips PM2.5×4.0 screw	109
Phillips PM2.5×3.0 screw	113
Hex HM5.0×9.0 standoff	114
Phillips PM2.0×2.0 screw	115
Phillips PM2.0×7.0 screw	116
Phillips PM2.5×5.0 captive screw	117
Phillips 2.5×4.0 captive screw	118

8 Backup and Recovery

Recovering system information	119
Backing up your information	119
When to back up	119
Back up suggestions	120
Using system restore points	120
When to create restore points	120
Create a system restore point	120
Restore to a previous date and time	121
Creating recovery discs	121
Reinstalling software programs and drivers	122
Reinstalling preinstalled programs and drivers	122
Reinstalling programs from discs	122
Performing a recovery	123
Recovering from the recovery discs	123
Recovering from the partition on the hard drive	123
Deleting the recovery partition on the hard drive	124
Updating reinstalled software	124

9 Connector pin assignments

Audio-out (headphone)	125
Audio-in (microphone)	125
External monitor	126
RJ-11 (modem)	127
RJ-45 (network)	127
S-Video-out	128
Universal Serial Bus	128

10 Power cord set requirements

Requirements for all countries or regions	129
Requirements for specific countries or regions	130

11 Recycling

Battery	131
Display	131

Index	137
--------------------	------------

1 Product description

Category	Description	AMD models	Full-featured Intel models	Defeated Intel models
Product Name	Compaq Presario V6500 Notebook PC	✓	✓	✓
Processors	Intel® Core™ 2 Duo processors			
	2.20-GHz processor, 4-MB L2 cache, 800-MHz front side bus (FSB)		✓	✓
	2.00-GHz processor, 2-MB L2 cache, 800-MHz FSB		✓	✓
	1.86-GHz processor, 1-MB L2 cache, 533-MHz (FSB)		✓	✓
	1.50-GHz processor, 2-MB L2 cache, 667-MHz FSB		✓	✓
	Intel Core Duo processors			
	T7300 2.0-GHz processor, 4-MB L2 cache, 800-MHz FSB		✓	✓
	T7100 1.8-GHz processor 2-MB L2 cache, 800-MHz FSB		✓	✓
	T5250 1.5-GHz processor 2-MB L2 cache, 667-MHz FSB		✓	✓
	AMD processors			
	Turion™ MK-38 (2.2-GHz, 512-MB L2 cache)	✓		
	Turion TL-66 (2.3 -GHz, 1-MB L2 cache)	✓		
	Turion TL-60 (2.0 -GHz, 1-MB L2 cache)	✓		
	Turion TL-58 (1.9 -GHz, 1-MB L2 cache)	✓		
	Turion TL-56 (1.8 -GHz, 1-MB L2 cache)	✓		
	Athlon™ TK-53 (1.7-GHz. 512-MB L2 cache)	✓		
Chipset	Northbridge: Intel GM965		✓	✓

Category	Description	AMD models	Full-featured Intel models	Defeated Intel models
	Southbridge: Intel ICH8m		✓	✓
	Northbridge/Southbridge: nVidia MCP67M	✓		
Graphics	<p>Intel Extreme Graphics (Mobile Intel Graphics Media Accelerator X3100) UMA (integrated) with shared video memory, and:</p> <ul style="list-style-type: none"> Up to 64 MB on computer models with 512 MB of system RAM or, Up to 256 MB on computer models with 1024 MB or more of system RAM <p>Memory size is a dynamic change.</p>		✓	✓
	<p>UMA nVidia MCP67M with shared video memory, and:</p> <ul style="list-style-type: none"> Up to 128 MB on computer models with 512 MB of system RAM Up to 287 MB on computer models with 1024 MB of system RAM Up to 559 MB on computer models with 2048 MB of system RAM Up to 559 MB on computer models with 4096 MB of system RAM <p>Memory size is dynamically allocated.</p>	✓		
Panel	15.4-inch, WXGA BrightView	✓	✓	✓
Memory	2 SODIMM slots	✓	✓	✓
	Customer-accessible/upgradable	✓	✓	✓
	Supports up to 4 GB of system RAM	✓	✓	✓
	PC2-5300, 667-MHz, DDRII	✓	✓	✓
	Supports the following configurations:	✓	✓	✓
	<ul style="list-style-type: none"> 4096 (2048 × 2) 2048 (2048 × 1, 1024 × 2) 1536 (1024 + 512) 1024 (1024 × 1, 512 × 2) 512 (512 × 1) 			
Hard drives	Supports 9.5-mm, 2.5-inch hard drives	✓	✓	✓
	Serial ATA	✓	✓	✓

Category	Description	AMD models	Full-featured Intel models	Defeated Intel models
	Supports the following drives: <ul style="list-style-type: none"> • 250-GB, 5400-rpm • 200-GB, 4200-rpm • 160-GB, 5400-rpm • 120-GB, 5400-rpm • 80-GB, 5400-rpm 	√	√	√
Optical drives	Fixed (removal of 1 screw required)	√	√	√
	Parallel ATA	√	√	√
	12.7-mm tray load	√	√	√
	Supports the following drives: <ul style="list-style-type: none"> • DVD±RW and CD-RW Super Multi Double-Layer Combo Drive with LightScribe • DVD±RW and CD-RW Super Multi Double-Layer Combo Drive • DVD-CD/RW Combo Drive 	√	√	√
Diskette drive	Supports external USB drive only	√	√	√
Microphone	2 omnidirectional, dual-array microphones, with beam-forming, echo-cancellation, noise-suppression software	√	√	√
Audio	HD audio - Realtek ALC861-VD-GR		√	√
	HD Audio - Conexant CX20549-12)	√		
	Supports Windows Vista Premium Logo requirements	√	√	√
	Presario-branded Altec Lansing speakers	√	√	√
Modem	56K V.92 data/fax modem	√	√	√
	Supports all world-wide certification requirements	√	√	√
	Modem cable not included	√	√	√
Ethernet	Integrated Realtek 10/100 network interface card (NIC)	√	√	√
	Ethernet cable not included	√	√	√
Wireless	Integrated wireless local area network (WLAN) options by way of wireless module:			
	Intel PRO Wireless 3945 802.11a/b/g and 802.11b/g with 2 antennae integrated into the display assembly		√	√

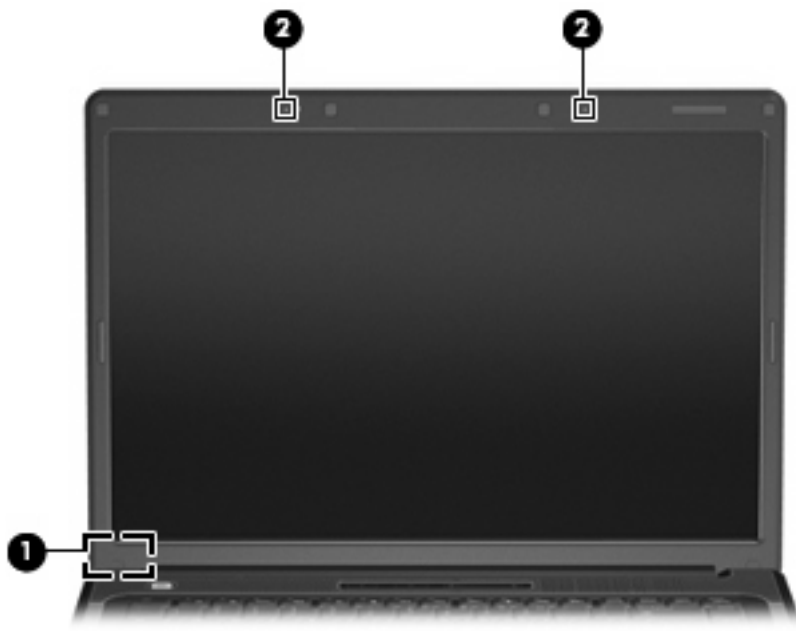
Category	Description	AMD models	Full-featured Intel models	Defeatured Intel models
	Intel PRO Wireless 4965 802.11 a/b/g/n with 3 antennae integrated into the display assembly @ 2.4 and 5.0 GHz		✓	✓
	Intel WLAN + Bluetooth®		✓	✓
	Broadcom 4321AGN Wi-Fi Adapter (802.11 a/b/g/ draft-n) + Bluetooth w/2 antennas	✓		
	Broadcom 4321AGN Wi-Fi Adapter (802.11 a/b/g/ draft-n) w/2 antennas	✓		
External media card	One ExpressCard54 slot	✓	✓	✓
	Digital Media Slot, supports SD, MMC, SDIO, MS, MSpro, xD	✓	✓	✓
Ports	Audio-in (mono microphone)	✓	✓	✓
	Audio-out (stereo headphone)	✓	✓	✓
	Consumer infrared	✓	✓	✓
	RJ-11 (modem)	✓	✓	✓
	RJ-45 (Ethernet, includes link and activity lights)	✓	✓	✓
	S-Video-out	✓	✓	✓
	USB (3)	✓	✓	
	USB (1)			✓
	VGA (Dsub 15-pin)	✓	✓	✓
	1394	✓	✓	
	2-pin AC power	✓	✓	✓
Docking	Expansion port 3 supports HP xb3000 Notebook Expansion Base and HP Notebook QuickDock	✓	✓	✓
Keyboard/pointing devices	14.1-inch keyboard	✓	✓	✓
	TouchPad with 2 buttons and four-way scroll (taps enabled as default)	✓	✓	✓
Power requirements	12-cell 2.20-Ah Li-ion battery	✓	✓	✓
	6-cell 2.55-Ah Li-ion battery	✓	✓	✓
	6-cell 2.20-Ah Li-ion battery	✓	✓	✓
	65-W AC adapter with localized cable plug support (2-wire plug with ground pin, supports 2-pin DC connector)	✓	✓	✓
Security	Security cable slot	✓	✓	✓

Category	Description	AMD models	Full-featured Intel models	Defeatured Intel models
Operating system	Preinstalled:			
	Free DOS		√	√
	Windows Vista™ Business (32-bit)	√	√	√
	Windows Vista Home Basic (32-bit)	√	√	√
	Windows Vista Premium (32- and 64-bit)	√	√	√
	Windows Vista Home Basic (32-bit)		√	√
Serviceability	End-user replaceable parts:			
	AC adapter	√	√	√
	Battery (system)	√	√	√
	Hard drive	√	√	√
	Memory module	√	√	√
	Optical drive	√	√	√
	WLAN module	√	√	√

2 External component identification

Top components

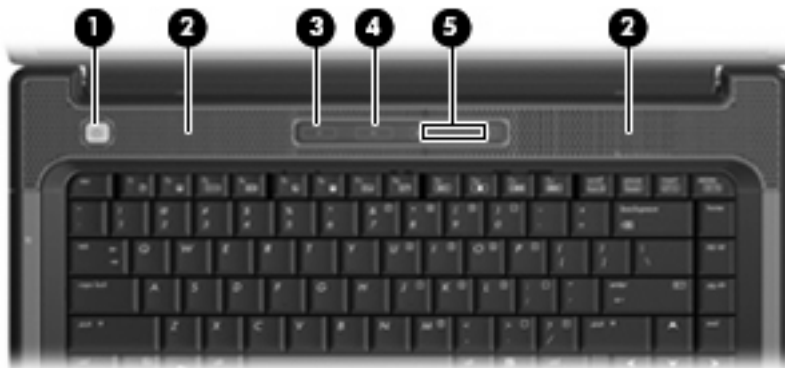
Display components



Item	Component	Description
(1)	Internal display switch*	Turns off the display if the display is closed while the computer is on.
(2)	Internal microphones (2) (select models only)	Record sound. NOTE: If there is a microphone icon next to each microphone opening, the computer has internal microphones.

*The location of the internal display switch varies by computer model.

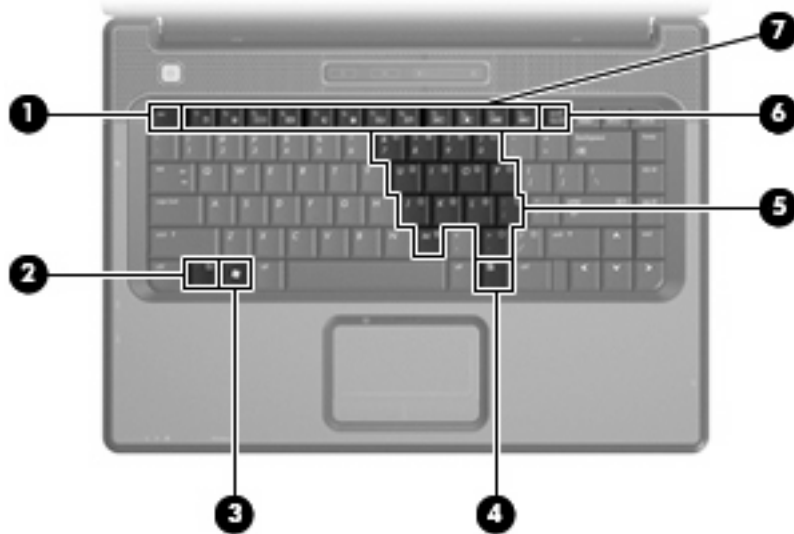
Buttons and speakers



Item	Component	Description
(1)	Power button*	<ul style="list-style-type: none"> When the computer is off, press the button to turn on the computer. When the computer is on, press the button to shut down the computer. When the computer is in the Sleep state, press the button briefly to exit Sleep. When the computer is in Hibernation, press the button briefly to exit Hibernation. <p>If the computer has stopped responding and Windows® shutdown procedures are ineffective, press and hold the power button for at least 5 seconds to turn off the computer.</p> <p>To learn more about your power settings, select Start > Control Panel > System and Maintenance > Power Options.</p>
(2)	Speakers (2)	Produce sound.
(3)	Media button	<ul style="list-style-type: none"> Opens the QuickPlay program (for models with QuickPlay preinstalled). Opens the DVDPlay program (for models with DVDPlay preinstalled). <p>NOTE: If the computer has been set up to require a logon password, you may be asked to log on to Windows. QuickPlay or DVDPlay opens after you log on. Refer to the QuickPlay or DVDPlay software Help for more information.</p>
(4)	Volume mute button	Mutes and restores speaker sound.
(5)	Volume scroll zone	Adjusts speaker volume. Slide your finger to the left to decrease volume and to the right to increase volume. You can also tap the minus sign on the scroll zone to decrease volume, or tap the plus sign on the scroll zone to increase volume.

*This table describes factory settings. For information about changing factory settings, refer to the user guides located in Help and Support.

Keys



Item	Component	Function
(1)	esc key	Displays system information when pressed in combination with the fn key.
(2)	fn key	Executes frequently used system functions when pressed in combination with a function key or the esc key.
(3)	Windows logo key	Displays the Windows Start menu.
(4)	Windows applications key	Displays a shortcut menu for items beneath the pointer.
(5)	Embedded numeric keypad keys	Can be used like the keys on an external numeric keypad.
(6)	num lock key	Enables numeric lock, turns on the embedded numeric keypad, and turns on the num lock light.
(7)	Function keys	Execute frequently used system functions when pressed in combination with the fn key.

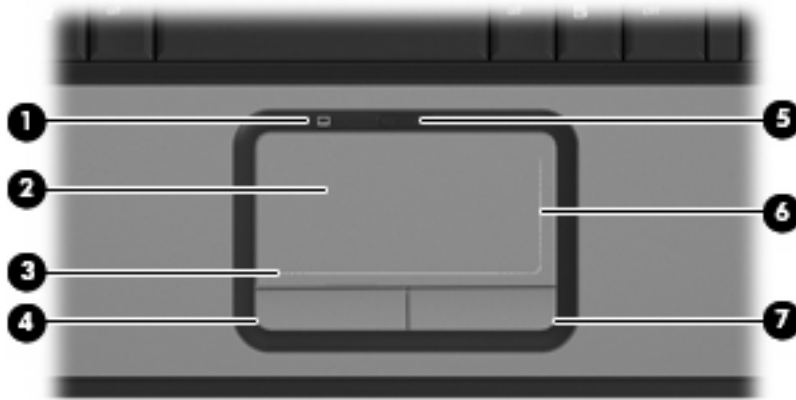
Lights



Item	Component	Description
(1)	Power lights (2)*	<ul style="list-style-type: none"> On: The computer is on. Blinking: The computer is in the Sleep state. Off: The computer is off or in Hibernation.
(2)	Battery light	<ul style="list-style-type: none"> On: A battery is charging. Blinking: A battery that is the only available power source has reached a low battery level or a critical battery level. Off: If the computer is plugged into an external power source, the light is turned off when all batteries in the computer are fully charged. If the computer is not plugged into an external power source, the light stays off until the battery reaches a low battery level.
(3)	Drive light	Blinking: The hard drive or optical drive is being accessed.
(4)	Caps lock light	On: Caps lock is on.
(5)	Volume mute light	<ul style="list-style-type: none"> Blue: Computer sound is turned on. Amber: Computer sound is turned off.
(6)	Volume down light	Blinking: The volume scroll zone is being used to decrease speaker volume.
(7)	Volume up light	Blinking: The volume scroll zone is being used to increase speaker volume.
(8)	Num lock light	On: Num lock is on or the embedded numeric keypad is enabled.

*The 2 power lights display the same information. The light on the power button is visible only when the computer is open. The power light on the front of the computer is visible whether the computer is open or closed.

TouchPad



Item	Component	Function
(1)	TouchPad light	<ul style="list-style-type: none">• Blue: TouchPad is enabled.• Amber: TouchPad is disabled.
(2)	TouchPad*	Moves the pointer and selects or activates items on the screen.
(3)	TouchPad horizontal scroll zone	Scrolls left or right.
(4)	Left TouchPad button*	Functions like the left button on an external mouse.
(5)	TouchPad on/off button	Enables/disables the TouchPad.
(6)	TouchPad vertical scroll zone	Scrolls up or down.
(7)	Right TouchPad button*	Functions like the right button on an external mouse.

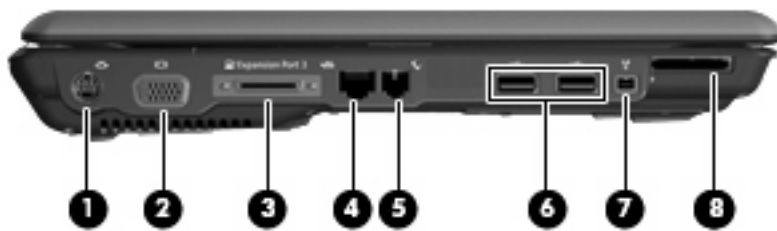
*This table describes factory settings. To view or change pointing device preferences, select **Start > Control Panel > Hardware and Sound > Mouse**.

Front components



Item	Component	Function
(1)	Power light	<ul style="list-style-type: none"> On: The computer is on. Blinking: The computer is in the Sleep state. Off: The computer is off or in Hibernation.
(2)	Battery light	<ul style="list-style-type: none"> On: A battery is charging. Blinking: A battery that is the only available power source has reached a low battery level or a critical battery level. Off: If the computer is plugged into an external power source, the light is turned off when all batteries in the computer are fully charged. If the computer is not plugged into an external power source, the light stays off until the battery reaches a low battery level.
(3)	Drive light	Blinking: The hard drive or optical drive is being accessed.
(4)	Wireless switch	<p>Turns the wireless feature on or off, but does not create a wireless connection.</p> <p>NOTE: To establish a wireless connection, a wireless network must already be set up.</p>
(5)	Wireless light	<ul style="list-style-type: none"> Blue: An integrated wireless device, such as a WLAN device and/or a Bluetooth® device, is turned on. Amber: An integrated wireless device is turned off.
(6)	Consumer infrared lens (select models only)	Receives a signal from a remote control device, such as the HP Remote Control.
(7)	Audio-in (microphone)	Connects an optional computer headset microphone, stereo array microphone, or monaural microphone.
(8)	Audio-out (headphone) jack	Produces sound when connected to optional powered stereo speakers, headphones, ear buds, a headset, or television audio.

Left-side components



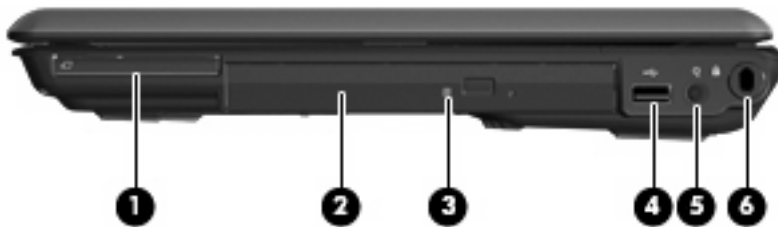
Item	Component	Function
(1)	S-Video-out jack	Connects an optional S-Video device such as a television, VCR, camcorder, overhead projector, or video capture card.
(2)	External monitor port	Connects an external VGA monitor or projector.
(3)	Expansion port 3	Connects the computer to an optional docking device or expansion product. NOTE: The computer has only one expansion port. The term expansion port 3 describes the type of expansion port.
(4)	RJ-45 (network) jack	Connects a network cable.
(5)	RJ-11 (modem) jack	Connects a modem cable.
(6)	USB ports (1 or 2, depending on computer model)	Connect optional USB devices.
(7)	1394 port (select models only)	Connects an optional IEEE 1394 or 1394a device, such as a camcorder.
(8)	Digital Media Slot (select models only)	Supports the following optional digital card formats: <ul style="list-style-type: none">• Memory Stick (MS)• Memory Stick Pro (MSP)• MultiMediaCard (MMC)• Secure Digital Input/Output (SD I/O)• Secure Digital (SD) Memory Card• xDPicture Card (XD)• xD-Picture Card (XD) Type H• xD-Picture Card (XD) Type M

Rear component



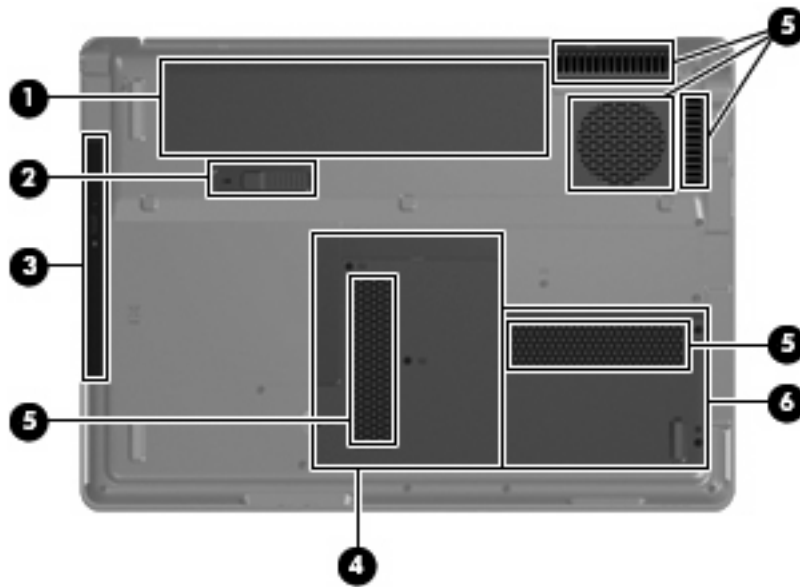
Component	Description
Vent	Enables airflow to cool internal components. NOTE: The computer fan starts up automatically to cool internal components and prevent overheating. It is normal for the internal fan to cycle on and off during routine operation.

Right-side components



Item	Component	Function
(1)	ExpressCard slot	Supports optional ExpressCard/54 cards.
(2)	Optical drive	Reads optical discs, and, on select models, also writes to optical discs.
(3)	Optical drive light	Blinking: The optical drive is being accessed.
(4)	USB port (select models only)	Connects an optional USB device.
(5)	Power connector	Connects an AC adapter.
(6)	Security cable slot	Attaches an optional security cable to the computer. NOTE: The security cable is designed to act as a deterrent, but it may not prevent the computer from being mishandled or stolen.

Bottom components



Item	Component	Function
(1)	Battery bay	Holds the battery.
(2)	Battery release latch	Releases the battery from the battery bay.
(3)	Optical drive	Reads optical discs and, on select models, also writes to optical discs.
(4)	Memory/WLAN module compartment	Contains the memory module slots, the WLAN module slot, and the RTC battery. NOTE: To prevent an unresponsive system, replace the wireless module only with a wireless module authorized for use in the computer by the governmental agency that regulates wireless devices in your country or region. If you replace the module and then receive a warning message, remove the module to restore computer functionality, and then contact technical support through Help and Support.
(5)	Vents (5)	Enable airflow to cool internal components. NOTE: The computer fan starts up automatically to cool internal components and prevent overheating. It is normal for the internal fan to cycle on and off during routine operation.
(6)	Hard drive bay	Holds the hard drive.

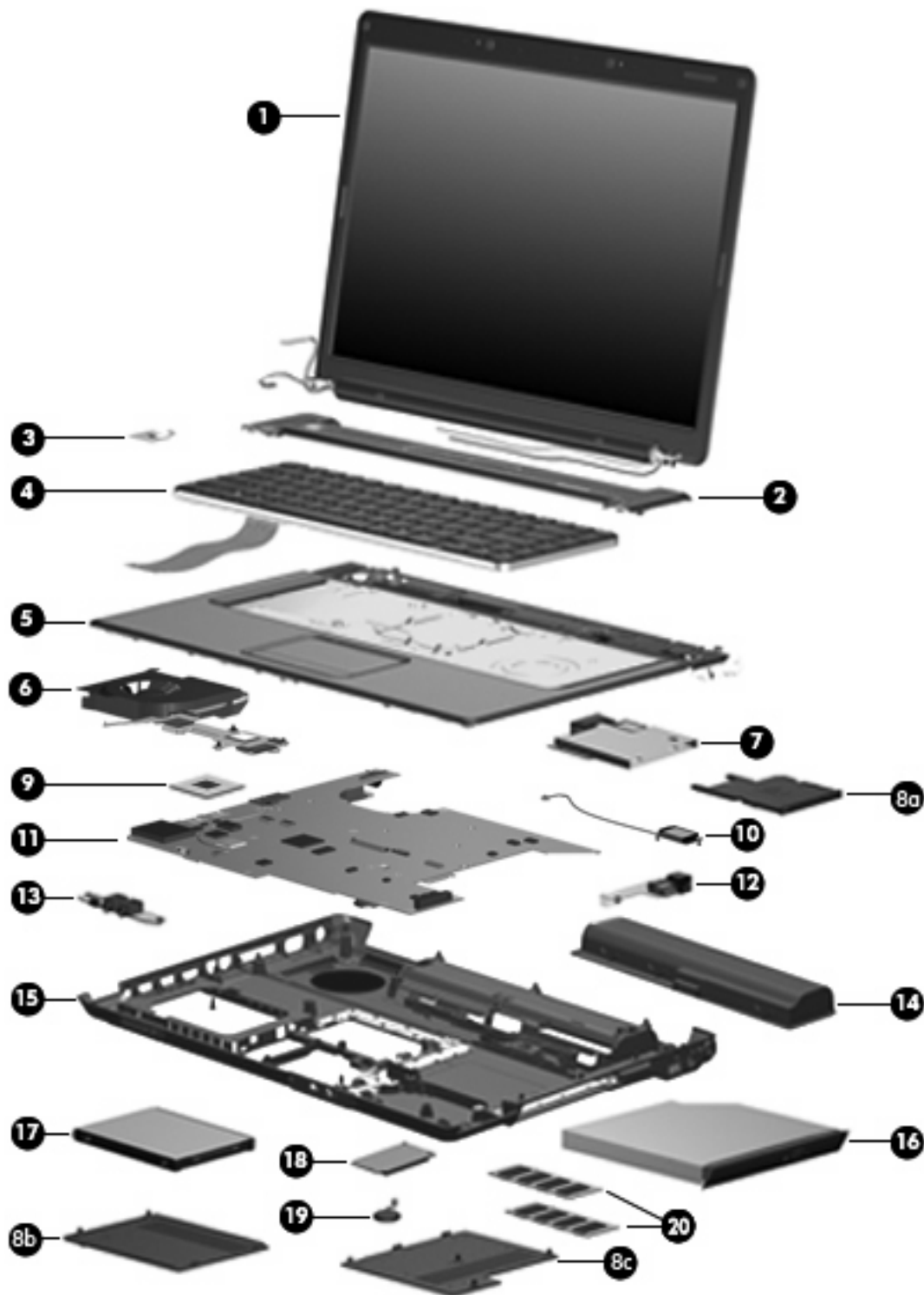
3 Illustrated parts catalog

Serial number location

When ordering parts or requesting information, provide the computer serial number and model number located on the bottom of the computer.



Computer major components



Item	Description	Spare part number
(1)	15.4-inch, WXGA, BrightView display assembly (includes microphones)	446485-001

Item	Description	Spare part number
	NOTE: See Display assembly components on page 22 for more display assembly spare part information.	
	With plain top for computer models with AMD processors	455196-001
(2)	Switch cover (includes LED board and cable)	
	For use in full-featured models	431425-001 and 451010-001
	For use in defeatured models	455260-001
(3)	Power button board (includes power button board cable)	431438-001
(4)	Keyboards	
	Denmark, Finland, Norway, and Sweden	441428-DH1
	France	441428-051
	French Canada	441428-121
	Italy	441428-061
	South Korea	441428-AD1
	Latin America	441428-161
	The Netherlands and Europe	441428-B31
	Saudi Arabia	441428-171
	Spain	441428-071
	Taiwan	441428-AB1
	Thailand	441428-281
	Turkey	441428-141
	The United Kingdom	441428-031
	The United States	441428-001
(5)	Top cover for use in computer models with Intel processors (includes speakers, TouchPad and cable)	446510-001 and 455514-001
	For use in computer models with AMD processors:	
	• Full-featured models	454170-001
	• Defeatured models	451407-001
(6)	Fan/heat sink assembly (includes thermal material)	
	For use only in computer models with Intel processors	446522-001
	For use only in computer models with AMD processors	449961-001
(7)	ExpressCard assembly	431440-001
	Plastics Kit (see Plastics Kit on page 24 for more Plastics Kit information):	438669-001
(8a)	ExpressCard slot bezel	
(8b)	Hard drive cover (includes 2 captive screws, secured by C-clips)	

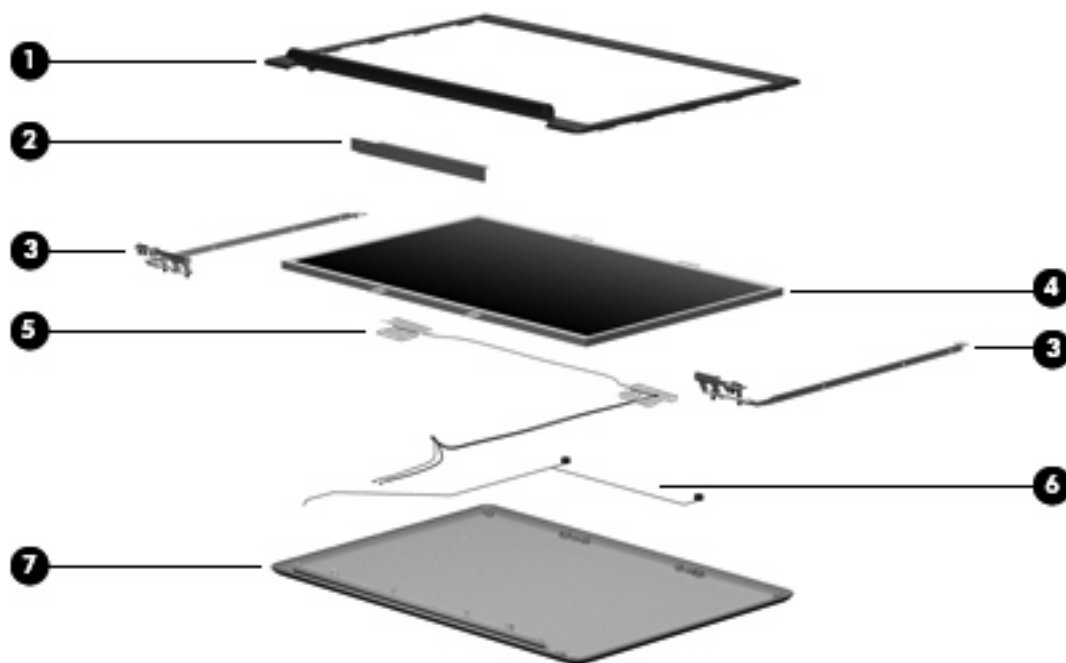
Item	Description	Spare part number
(8c)	Memory/WLAN module compartment cover (includes 3 captive screws, secured by C-clips)	
	HDMI port cover (not illustrated)	
(9)	Processors (include thermal material)	
	Intel Core 2 Duo processors:	
	<ul style="list-style-type: none"> 2.20-GHz processor (4-MB L2 cache, 800-MHz FSB) 	453771-001
	<ul style="list-style-type: none"> 2.00-GHz processor (2-MB L2 cache, 800-MHz FSB) 	455515-001
	<ul style="list-style-type: none"> 1.86-GHz processor (1-MB L2 cache, 533-MHz FSB) 	453773-001
	<ul style="list-style-type: none"> 1.50-GHz processor (2-MB L2 cache, 667-MHz FSB) 	453772-001
	Intel Core Duo processors:	
	<ul style="list-style-type: none"> T7300 2.00-GHz processor (4-MB L2 cache, 800-MHz FSB) 	446478-001
	<ul style="list-style-type: none"> T7100 1.80-GHz processor (2-MB L2 cache, 800-MHz FSB) 	446479-001
	<ul style="list-style-type: none"> T5250 1.50-GHz processor (2-MB L2 cache, 667-MHz FSB) 	453033-001
	AMD processors:	
	<ul style="list-style-type: none"> Turion MK-38 (2.2-GHz, 512-MB L2 cache) 	449904-001
	<ul style="list-style-type: none"> Turion TL-66 (2.3-GHz, 1-MB L2 cache) 	450804-001
	<ul style="list-style-type: none"> Turion TL-60 (2.0-GHz, 1-MB L2 cache) 	450803-001
	<ul style="list-style-type: none"> Turion TL-58 (1.9-GHz, 1-MB L2 cache) 	450802-001
	<ul style="list-style-type: none"> Turion TL-56 (1.8-GHz, 1-MB L2 cache) 	450801-001
	<ul style="list-style-type: none"> Athlon TK-53 (1.7-GHz, 512-MB L2 cache) 	451013-001
	Processor bracket (not illustrated)	450370-001
(10)	Bluetooth module (includes Bluetooth module cable)	412766-002
(11)	System board (includes modem cable)	
	For use only in computer models with Intel processors	453770-001 and 446475-001
	For use only in computer models with AMD processors:	
	<ul style="list-style-type: none"> In full-featured models equipped with UMA graphics subsystem memory 	449901-001
	<ul style="list-style-type: none"> In defeatured models 	454167-001
(12)	USB/power connector board (includes USB/power connector board cable)	447444-001
(13)	Audio boards (include audio board cable)	
	For use only in computer models with Intel processors:	
	<ul style="list-style-type: none"> Equipped with consumer infrared 	449453-001
	<ul style="list-style-type: none"> Not equipped with consumer infrared 	431443-001
	For use only in computer models with AMD processors:	
	<ul style="list-style-type: none"> In full-featured models equipped with consumer infrared 	454176-001

Item	Description	Spare part number
	<ul style="list-style-type: none"> In defeatured models equipped with consumer infrared 	449967-001
(14)	Batteries	
	12-cell, 8.80-AH, Li-ion	451864-001
	6-cell, 2.55-AH, Li-ion	446507-001
	6-cell, 2.20-AH, Li-ion	446506-001
(15)	Base enclosure (includes infrared lens and wireless on/off switch)	
	For use with full-featured computer models	448343-001
	For use with defeatured models	454171-001
	Rubber Kit (not illustrated; includes base enclosure rubber feet and display bezel screw covers)	431431-001
(16)	Optical drives (include bezel)	
	For use in computer models with Intel processors:	
	<ul style="list-style-type: none"> DVD±RW and CD-RW Super Multi Double-Layer Combo Drive with LightScribe 	446505-001
	<ul style="list-style-type: none"> DVD±RW and CD-RW Super Multi Double-Layer Combo Drive 	446504-001
	<ul style="list-style-type: none"> DVD/CD-RW Combo Drive 	446503-001
	For use in computer models with AMD processors:	
	<ul style="list-style-type: none"> DVD±RW and CD-RW Super Multi Double-Layer Combo Drive 	449934-001
	<ul style="list-style-type: none"> DVD±RW and CD-RW Super Multi Double-Layer Combo Drive with LightScribe 	449936-001
	<ul style="list-style-type: none"> DVD/CD-RW Combo Drive 	455076-001
(17)	Hard drives (include hard drive bracket)	
	250-GB, 5400-rpm	453775-001
	200-GB, 4200-rpm	451863-001
	160-GB, 5400-rpm	451862-001
	120-GB, 5400-rpm	446498-001
	80-GB, 5400-rpm	446497-001
	60-GB, 5400-rpm	446496-001
(18)	WLAN modules	
	Intel 802.11a/b/g/n WLAN modules:	
	<ul style="list-style-type: none"> For use in Antigua & Barbuda, Argentina, Aruba, the Bahamas, Barbados, Bermuda, Brunei, Canada, the Cayman Islands, Chile, Colombia, Costa Rica, the Dominican Republic, Ecuador, El Salvador, Guam, Guatemala, Haiti, Honduras, Hong Kong, India, Indonesia, Malaysia, Mexico, Panama, Paraguay, Peru, Saudi Arabia, Taiwan, the United States, Uruguay, Venezuela, and Vietnam 	441086-001
	<ul style="list-style-type: none"> For use in Austria, Azerbaijan, Bahrain, Belgium, Brazil, Bulgaria, Croatia, Cyprus, the Czech Republic, Denmark, Egypt, Estonia, Finland, France, Georgia, Germany, Greece, Hungary, Iceland, Ireland, Israel, Italy, Latvia, Lebanon, Liechtenstein, Lithuania, Luxembourg, Malta, Monaco, the Netherlands, Norway, Oman, the Philippines, Poland, Portugal, Qatar, Romania, Russia, Serbia and Montenegro, Singapore, Slovakia, 	441086-002 and 441087-002

Item	Description	Spare part number
	Slovenia, South Africa, Spain, Sri Lanka, Sweden, Switzerland, Turkey, Ukraine, the United Kingdom, and Uzbekistan	
	<ul style="list-style-type: none"> For use in Australia, New Zealand, Pakistan, the People's Republic of China, and South Korea 	441086-003 and 441088-003
	<ul style="list-style-type: none"> For use in Japan 	441086-291 and 441089-291
	<ul style="list-style-type: none"> For use in South Korea 	441086-AD1
	Intel 802.11a/b/g WLAN modules:	
	<ul style="list-style-type: none"> For use in Antigua & Barbuda, Argentina, Australia, the Bahamas, Barbados, Brunei, Canada, Chile, the Dominican Republic, Guam, Guatemala, Hong Kong, India, Indonesia, Malaysia, Mexico, New Zealand, Panama, Paraguay, Saudi Arabia, Taiwan, the United States, and Vietnam 	451861-001
	<ul style="list-style-type: none"> For use in Aruba, Austria, Azerbaijan, Bahrain, Belgium, Bermuda, Brazil, Bulgaria, the Cayman Islands, Colombia, Croatia, Cyprus, the Czech Republic, Denmark, Egypt, El Salvador, Estonia, Finland, France, Georgia, Germany, Greece, Hungary, Iceland, Ireland, Italy, Jordan, Latvia, Lebanon, Liechtenstein, Lithuania, Luxembourg, Malta, Monaco, the Netherlands, Norway, Oman, the Philippines, Poland, Portugal, Romania, Russia, Serbia and Montenegro, Singapore, Slovakia, Slovenia, South Africa, Spain, Sri Lanka, Sweden, Switzerland, Turkey, the United Kingdom, and Uzbekistan 	451861-002
	<ul style="list-style-type: none"> For use in Ecuador, Haiti, Honduras, Pakistan, the People's Republic of China, Peru, Qatar, South Korea, Uruguay, and Venezuela 	451861-003
	<ul style="list-style-type: none"> For use in Japan 	451861-291
	Broadcom 802.11b/g WLAN modules:	
	<ul style="list-style-type: none"> For use in Canada, the Cayman Islands, Guam, Puerto Rico, the U.S. Virgin Islands, and the United States 	441090-001
	<ul style="list-style-type: none"> For use in Afghanistan, Albania, Algeria, Andorra, Angola, Antigua & Barbuda, Argentina, Armenia, Aruba, Australia, Austria, Azerbaijan, the Bahamas, Bahrain, Bangladesh, Barbados, Belarus, Belgium, Belize, Benin, Bermuda, Bhutan, Bolivia, Bosnia & Herzegovina Botswana, Brazil, the British Virgin Islands, Brunei, Bulgaria, Burkina Faso, Burundi, Cambodia, Cameroon, Cape Verde, the Central African Republic, Chad, Chile, Colombia, Comoros, the Congo, Costa Rica, Croatia, Cyprus, the Czech Republic, Denmark, Djibouti, Dominica, the Dominican Republic, East Timor, Ecuador, Egypt, El Salvador, Equatorial Guinea, Eritrea, Estonia, Ethiopia, Fiji, Finland, France, French Guiana, Gabon, Gambia, Georgia, Germany, Ghana, Gibraltar, Greece, Grenada, Guadeloupe, Guatemala, Guinea, Guinea-Bissa, Guyana, Haiti, Honduras, Hong Kong, Hungary, Iceland, India, Indonesia, Ireland, Israel, Italy, the Ivory Coast, Jamaica, Jordan, Kazakhstan, Kenya, Kiribati, Kuwait, Kyrgyzstan, Laos, Latvia, Lebanon, Lesotho, Liberia, Liechtenstein, Lithuania, Luxembourg, Macedonia, Madagascar, Malawi, Malaysia, the Maldives, Mali, Malta, the Marshall Islands, Martinique, Mauritania, Mauritius, Mexico, Micronesia, Monaco, Mongolia, Montenegro, Morocco, Mozambique, Namibia, Nauru, Nepal, the Nether Antilles, the Netherlands, New Zealand, Nicaragua, Niger, Nigeria, Norway, Oman, Palau, Panama, Papua New Guinea, Paraguay, the People's Republic of China, Peru, the Philippines, Poland, Portugal, Qatar, the Republic of Moldova, Romania, Russia, Rwanda, Samoa, San Marino, Sao Tome & Principe, Saudi Arabia, Senegal, Serbia and Montenegro, the Seychelles, Sierra Leone, Singapore, Slovakia, Slovenia, the Solomon Islands, Somalia, South Africa, South Korea, Spain, Sri Lanka, St. Kitts & Nevis, St. Lucia, St. Vincent & Grenada, Suriname, Swaziland, Sweden, Switzerland, Taiwan, Tajikistan, Tanzania, Thailand, Togo, Tonga, Trinidad & Tobago, Tunisia, Turkey, Turkmenistan, Tuvalu, Uganda, Ukraine, the United Arab Emirates, the United Kingdom, Uruguay, Uzbekistan, Vanuatu, Venezuela, Vietnam, Yemen, Zaire, Zambia, and Zimbabwe 	441090-002
	<ul style="list-style-type: none"> For use in Japan 	441090-291

Item	Description	Spare part number
	Intel 802.11b/g WLAN module for use in Thailand	451861-004
	Broadcom 4311AG 802.11a/b/g modules:	
	<ul style="list-style-type: none"> For use in the United States and Canada 	441075-001
	<ul style="list-style-type: none"> For use in France, Germany, Italy, the Netherlands, Spain, the United Kingdom, Nordic region, and India 	441075-002
	Broadcom 4321AGN 802.11a/b/g/n modules:	
	<ul style="list-style-type: none"> For use in the United States and Canada 	434661-001
	<ul style="list-style-type: none"> For use in France, Germany, Italy, the Netherlands, Spain, the United Kingdom, Nordic region, and India 	434661-002
(19)	RTC battery (includes 2-sided tape)	446518-001 and 449729-001
(20)	Memory modules (667-MHz, PC2-5300, 1-DIMM)	
	2048-MB	453774-001
	1024-MB	446495-001
	512-MB	446494-001
	Cable Kit (not illustrated; see Cable Kit on page 25 for more Cable Kit information)	446520-001

Display assembly components



Item	Description	Spare part number
(1)	Display bezel	
	For use in computers with Intel processors	433283-001 and 453328-001
	For use in computer models with AMD processors:	
	• Full-featured models	433284-002
	• Defeated models	454169-001
(2)	Display inverter (includes Mylar shield)	431391-001
(3)	Display Hinge Kit (includes left and right display hinges)	433288-001
(4)	Display panel (15.4-inch, WXGA, BrightView; includes display panel cable)	446480-001
(5)	Wireless Antenna Kits	
	For use only with computer models equipped with an 802.11a/b/g/n WLAN module (includes 3 wireless antenna transceivers and cables)	449728-001
	For use only with computer models equipped with an 802.11a/b/g or 802.11b/g WLAN module (includes 2 wireless antenna transceivers and cables)	449726-001
(6)	Microphone	431393-001
(7)	Display enclosure	
	For full-featured models	446488-001
	For defeated models	432920-002

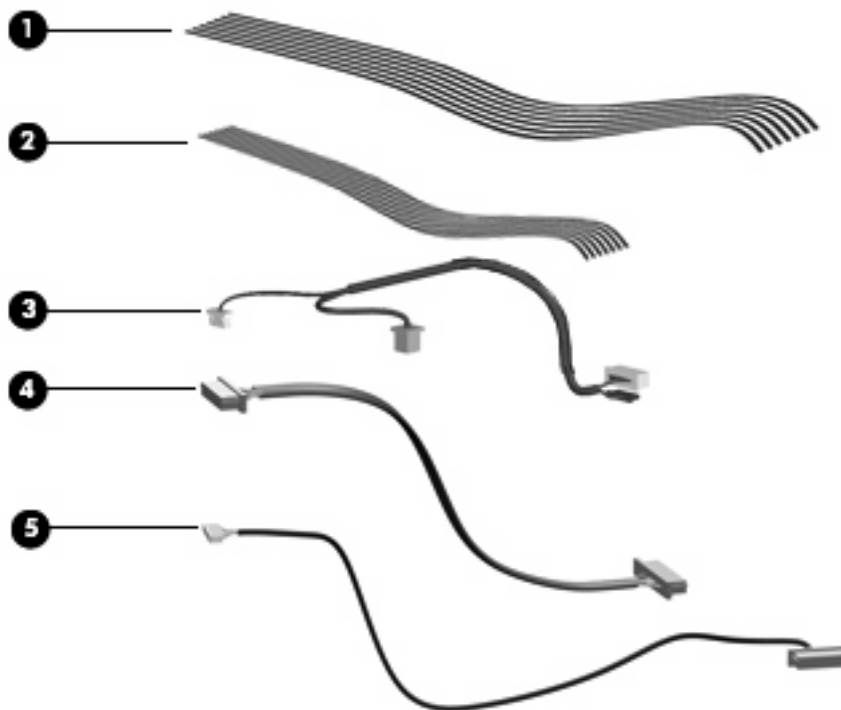
Item	Description	Spare part number
	Display Cable Kit (not illustrated)	433287-001
	Display Screw Kit (not illustrated)	431400-001

Plastics Kit



Item	Description	Spare part number
	Plastics Kit:	438669-001
(1)	ExpressCard slot bezel	
(2)	Hard drive cover (includes 2 captive screws, secured by C-clips)	
(3)	Memory/WLAN module compartment cover (includes 3 captive screws, secured by C-clips)	

Cable Kit



Item	Description	Spare part number
	Cable Kit:	446520-001
(1)	LED board cable	
(2)	Power button board cable	
(3)	USB/power connector board cable	
(4)	Audio board cable	
(5)	Bluetooth module cable	

Mass storage devices



Item	Description	Spare part number
(1)	Hard drives (include hard drive bracket)	
	250-GB, 5400-rpm	453775-001
	200-GB, 4200-rpm	451863-001
	160-GB, 5400-rpm	451862-001
	120-GB, 5400-rpm	446498-001
	80-GB, 5400-rpm	446497-001
	60-GB, 5400-rpm	446496-001
(2)	Optical drives (include bezel and bracket)	
	For use in computer models with Intel processors:	
	<ul style="list-style-type: none"> DVD±RW and CD-RW Super Multi Double-Layer Combo Drive with LightScribe 	446501-001
	<ul style="list-style-type: none"> DVD±RW and CD-RW Super Multi Double-Layer Combo Drive 	446500-001
	<ul style="list-style-type: none"> DVD/CD-RW Combo Drive 	446499-001
	For use in computer models with AMD:	
	<ul style="list-style-type: none"> DVD±RW and CD-RW Super Multi Double-Layer Combo Drive 	449934-001
	<ul style="list-style-type: none"> DVD±RW and CD-RW Super Multi Double-Layer Combo Drive with LightScribe 	449936-001
	<ul style="list-style-type: none"> DVD/CD-RW Combo Drive 	455076-01

Miscellaneous parts

Description	Spare part number
AC adapters	
90-W non-PFC AC adapter	432309-001
90-W PFC AC adapter	453198-001
65-W non-PFC AC adapter	402018-001
65-W PFC AC adapter	453199-001
ATSC/NTSC TV tuner antenna	439131-001
ATSC/NTSC/PAL TV tuner	439130-001
Composite video cable	407939-001
DVB-T tuner	412175-001
DVB-T wireless antenna adapter	412176-001
ExpressCard Kit (includes software CD)	445170-001
HP backpack	405527-001
HP carrying case	418162-001
HP Remote Control	435743-001
Infrared emitter with cable	439129-001
Label Kit for computer models with Intel processors	446525-001
Label Kit for computer models with AMD processors	449972-001
Optical wired mouse	436238-001
RF input adapter cable (without ferrite)	407940-001
USB digital drive	364727-002
Windows Vista remote control (fits inside ExpressCard slot)	439128-001
Windows Vista remote control (does not fit inside ExpressCard slot)	439254-001
Wired headset	371693-001
Wireless laser mouse with cable adapter	430958-001
Power cords:	
Australia and New Zealand	394279-011
Belgium, Europe, Finland, France, Germany, Greece, the Netherlands, Norway, Portugal, Spain, and Sweden	394279-021
Canada, French Canada, Latin America, Thailand, and the United States	394279-001
Denmark	394279-081
India	394279-D61
Israel	394279-BB1
Italy	394279-061

Description	Spare part number
Japan	394279-291
South Korea	394279-AD1
The People's Republic of China	394279-AA1
Switzerland	394279-BG1
Taiwan	394279-AB1
The United Kingdom and Hong Kong	394279-031
Screw Kit (see Screw listing on page 100 for more Screw Kit information)	434983-001
<ul style="list-style-type: none"> • Hex HM5.0×9.0 standoff • Phillips PM3.0×3.0 screw • Phillips PM2.5×10.0 screw • Phillips PM2.5×7.0 screw • Phillips PM2.5×5.0 captive screw • Phillips PM2.5×4.0 captive screw • Phillips PM2.5×4.0 screw • Phillips PM2.5×3.0 screw • Phillips PM2.0×7.0 screw • Phillips PM2.0×5.0 captive screw • Phillips PM2.0×3.0 screw • Phillips PM2.0×2.0 screw 	

Sequential part number listing

Spare part number	Description
364727-002	USB digital drive
371693-001	Wired headset with volume control
394279-001	Power cord for use in the United States
394279-011	Power cord for use in Australia
394279-021	Power cord for use in Europe
394279-031	Power cord for use in the United Kingdom
394279-061	Power cord for use in Italy
394279-081	Power cord for use in Denmark
394279-BG1	Power cord for use in Switzerland
394279-291	Power cord for use in Japan

Spare part number	Description
394279-AA1	Power cord for use in the People's Republic of China
394279-AB1	Power cord for use in Taiwan
394279-AD1	Power cord for use in South Korea
394279-BB1	Power cord for use in Israel
394279-D61	Power cord for use in India
402018-001	65-watt PFC AC adapter
405527-001	HP backpack
407939-001	Composite video cable
407940-001	RF input adapter cable (without ferrite)
412175-001	DVB-T tuner
412176-001	DVB-T antenna adapter
412766-001	Bluetooth module (includes Bluetooth module cable)
412766-002	Bluetooth module (includes Bluetooth module cable)
418162-001	HP carrying case
430958-001	Wireless laser mouse
431391-001	Display inverter (includes Mylar shield)
431393-001	Microphone
431400-001	Display Screw Kit (see Screw listing on page 100 for more Display Screw Kit information)
431425-001	Switch cover for use in full-featured models (includes LED board and cable)
431431-001	Rubber Kit (includes base enclosure rubber feet and display bezel screw covers)
431438-001	Power button board (includes power button board cable)
431440-001	ExpressCard assembly
431443-001	Audio board without infrared lens for computer models with Intel processors
432309-001	90-watt non-PFC AC adapter
432920-002	Display enclosure for defeatured models
433283-001	Display bezel for use only with computer models not equipped with microphones
433284-002	Display bezel for use in full-featured computer models with AMD processors
433287-001	Display Cable Kit
433288-001	Display Hinge Kit (includes left and right display hinges)
434661-001	Broadcom 4321AGN 802.11a/b/g/n module for use in the United States and Canada
434661-002	Broadcom 4321AGN 802.11a/b/g/n module for use in France, Germany, Italy, the Netherlands, Spain, the United Kingdom, Nordic region, and India
434983-001	Screw Kit
436238-001	Optical wired mouse

Spare part number	Description
438669-001	Plastics Kit (see Plastics Kit on page 24 for more Plastics Kit information)
439128-001	Windows Vista remote control (fits inside ExpressCard slot)
439129-001	Infrared emitter with cable
439130-001	ATSC/NTSC/PAL TV tuner
439131-001	ATSC/NTSC TV tuner antenna
439254-001	Windows Vista remote control (does not fit inside ExpressCard slot)
441075-001	Broadcom 4311AG 802.11a/b/g module for use in the United States and Canada
441075-002	Broadcom 4311AG 802.11a/b/g module for use in France, Germany, Italy, the Netherlands, Spain, the United Kingdom, Nordic region, and India
441086-001	Intel 802.11a/b/g/n WLAN module for use in Antigua & Barbuda, Argentina, Aruba, the Bahamas, Barbados, Bermuda, Brunei, Canada, the Cayman Islands, Chile, Colombia, Costa Rica, the Dominican Republic, Ecuador, El Salvador, Guam, Guatemala, Haiti, Honduras, Hong Kong, India, Indonesia, Malaysia, Mexico, Panama, Paraguay, Peru, Saudi Arabia, Taiwan, the United States, Uruguay, Venezuela, and Vietnam
441086-002	Intel 802.11a/b/g/n WLAN module for use in Austria, Azerbaijan, Bahrain, Belgium, Brazil, Bulgaria, Croatia, Cyprus, the Czech Republic, Denmark, Egypt, Estonia, Finland, France, Georgia, Germany, Greece, Hungary, Iceland, Ireland, Israel, Italy, Latvia, Lebanon, Liechtenstein, Lithuania, Luxembourg, Malta, Monaco, the Netherlands, Norway, Oman, the Philippines, Poland, Portugal, Qatar, Romania, Russia, Serbia and Montenegro, Singapore, Slovakia, Slovenia, South Africa, Spain, Sri Lanka, Sweden, Switzerland, Turkey, Ukraine, the United Kingdom, and Uzbekistan
441086-003	Intel 802.11a/b/g/n WLAN module for use in Australia, New Zealand, Pakistan, the People's Republic of China, and South Korea
441086-291	Intel 802.11a/b/g/n WLAN module for use in Japan
441086-AD1	Intel 802.11a/b/g/n WLAN module for use in South Korea
441087-002	Intel 802.11a/b/g/n WLAN module for use in Austria, Azerbaijan, Bahrain, Belgium, Brazil, Bulgaria, Croatia, Cyprus, the Czech Republic, Denmark, Egypt, Estonia, Finland, France, Georgia, Germany, Greece, Hungary, Iceland, Ireland, Israel, Italy, Latvia, Lebanon, Liechtenstein, Lithuania, Luxembourg, Malta, Monaco, the Netherlands, Norway, Oman, the Philippines, Poland, Portugal, Qatar, Romania, Russia, Serbia and Montenegro, Singapore, Slovakia, Slovenia, South Africa, Spain, Sri Lanka, Sweden, Switzerland, Turkey, Ukraine, the United Kingdom, and Uzbekistan
441088-003	Intel 802.11a/b/g/n WLAN module for use in Australia, New Zealand, Pakistan, the People's Republic of China, and South Korea
441089-291	Intel 802.11a/b/g/n WLAN module for use in Japan
441090-001	Broadcom 802.11b/g WLAN module for use in Canada, the Cayman Islands, Guam, Puerto Rico, the U.S. Virgin Islands, and the United States
441090-002	Broadcom 802.11b/g WLAN module for use in Afghanistan, Albania, Algeria, Andorra, Angola, Antigua & Barbuda, Argentina, Armenia, Aruba, Australia, Austria, Azerbaijan, the Bahamas, Bahrain, Bangladesh, Barbados, Belarus, Belgium, Belize, Benin, Bermuda, Bhutan, Bolivia, Bosnia & Herzegovina, Botswana, Brazil, the British Virgin Islands, Brunei, Bulgaria, Burkina Faso, Burundi, Cambodia, Cameroon, Cape Verde, the Central African Republic, Chad, Chile, Colombia, Comoros, the Congo, Costa Rica, Croatia, Cyprus, the Czech Republic, Denmark, Djibouti, Dominica, the Dominican Republic, East Timor, Ecuador, Egypt, El Salvador, Equatorial Guinea, Eritrea, Estonia, Ethiopia, Fiji, Finland, France, French Guiana, Gabon, Gambia, Georgia, Germany, Ghana, Gibraltar, Greece, Grenada, Guadeloupe, Guatemala, Guinea, Guinea-Bissa, Guyana, Haiti, Honduras, Hong Kong, Hungary, Iceland, India, Indonesia, Ireland, Israel, Italy, the Ivory Coast, Jamaica, Jordan, Kazakhstan, Kenya, Kiribati, Kuwait, Kyrgyzstan, Laos, Latvia, Lebanon, Lesotho, Liberia, Liechtenstein, Lithuania, Luxembourg, Macedonia, Madagascar, Malawi, Malaysia, the Maldives, Mali, Malta, the Marshall Islands, Martinique, Mauritania,

Spare part number	Description
	Mauritius, Mexico, Micronesia, Monaco, Mongolia, Montenegro, Morocco, Mozambique, Namibia, Nauru, Nepal, the Nether Antilles, the Netherlands, New Zealand, Nicaragua, Niger, Nigeria, Norway, Oman, Palau, Panama, Papua New Guinea, Paraguay, the People's Republic of China, Peru, the Philippines, Poland, Portugal, Qatar, the Republic of Moldova, Romania, Russia, Rwanda, Samoa, San Marino, Sao Tome & Principe, Saudi Arabia, Senegal, Serbia and Montenegro, the Seychelles, Sierra Leone, Singapore, Slovakia, Slovenia, the Solomon Islands, Somalia, South Africa, South Korea, Spain, Sri Lanka, St. Kitts & Nevis, St. Lucia, St. Vincent & Grenada, Suriname, Swaziland, Sweden, Switzerland, Taiwan, Tajikistan, Tanzania, Thailand, Togo, Tonga, Trinidad & Tobago, Tunisia, Turkey, Turkmenistan, Tuvalu, Uganda, Ukraine, the United Arab Emirates, the United Kingdom, Uruguay, Uzbekistan, Vanuatu, Venezuela, Vietnam, Yemen, Zaire, Zambia, and Zimbabwe
441090-291	Broadcom 802.11b/g WLAN module for use in Japan
441428-001	Keyboard for use in the United States
441428-031	Keyboard for use in the United Kingdom
441428-051	Keyboard for use in France
441428-061	Keyboard for use in Italy
441428-071	Keyboard for use in Spain
441428-121	Keyboard for use in French Canada
441428-141	Keyboard for use in Turkey
441428-161	Keyboard for use in Latin America
441428-171	Keyboard for use in Saudi Arabia
441428-281	Keyboard for use in Thailand
441428-AB1	Keyboard for use in Taiwan
441428-AD1	Keyboard for use in Thailand
441428-B31	Keyboard for international use
441428-DH1	Keyboard for use in Finland, Norway, and Sweden
445170-001	ExpressCard Kit (includes software CD)
446475-001	System board for use in computer models with Intel processors
446478-001	Intel Core Duo T7300 2.0-GHz processor (4-MB L2 cache; includes thermal material)
446479-001	Intel Core Duo T7100 1.8-GHz processor (2-MB L2 cache; includes thermal material)
446480-001	15.4-inch, WXGA, SVA, TFT BrightView display panel (includes display panel cable)
446485-001	15.4-inch, WXGA, BrightView display assembly (includes microphones)
446488-001	Display enclosure for full-featured models
446494-001	512-MB memory module (667-MHz, PC2-5300, 1-DIMM)
446495-001	1024-MB memory module (667-MHz, PC2-5300, 1-DIMM)
446496-001	60-GB, 5400-rpm hard drive (includes hard drive bracket)
446497-001	80-GB, 5400-rpm hard drive (includes hard drive bracket)
446498-001	120-GB, 5400-rpm hard drive (includes hard drive bracket)
446503-001	DVD/CD-RW Combo Drive for use in computer models with Intel processors

Spare part number	Description
446504-001	DVD±RW and CD-RW Super Multi Double-Layer Combo Drive for use in computer models with Intel processors
446505-001	DVD±RW and CD-RW Super Multi Double-Layer Combo Drive for use in computer models with Intel processors
446506-001	6-cell, 2.20-AH battery
446507-001	6-cell, 2.55-AH battery
446510-001	Top cover (includes speakers and TouchPad and cable)
446518-001	RTC battery (includes 2-sided tape)
446520-001	Cable Kit (see Cable Kit on page 25 for more Cable Kit information)
446522-001	Fan/heat sink assembly for use in computer models with Intel processors (includes thermal material)
446525-001	Label Kit for computer models with Intel processors
447444-001	USB/power connector board (includes USB/power connector board cable)
448343-001	Base enclosure for use in full-featured computer models (includes infrared lens and wireless on/off switch)
449453-001	Audio board with infrared lens for use in computer models with Intel processors
449726-001	Wireless Antenna Kit for use only with computer models equipped with an 802.11a/b/g or 802.11b/g WLAN module (includes 2 wireless antenna transceivers and cables)
449728-001	Wireless Antenna Kit for use only with computer models equipped with an 802.11a/b/g/n WLAN module (includes 3 wireless antenna transceivers and cables)
449729-001	RTC battery
449901-001	System board for use only in computer models with AMD processors equipped with UMA graphics subsystem memory
449904-001	AMD Turion MK-38 processor (2.2-GHz, 512-MB L2 cache)
449934-001	DVD±RW and CD-RW Super Multi Double-Layer Combo Drive for use in computer models with AMD processors
449936-001	DVD±RW and CD-RW Super Multi Double-Layer Combo Drive with LightScribe for use in computer models with AMD processors
449956-001	Cable Kit (see Cable Kit on page 25 for more Cable Kit information)
449961-001	Fan/heat sink assembly for use in computer models with AMD processors (includes thermal material)
449967-001	Audio board for use in defeatured computer models with AMD processors (includes audio connectors, audio board cable, and infrared lens)
449972-001	Display Label Kit for computer models with AMD processors
450370-001	Processor bracket
450371-001	Processor bracket for use with 8.1 processors
450801-001	AMD Turion TL-56 processor (1.8-GHz, 1-MB L2 cache)
450802-001	AMD Turion TL-58 processor (1.9-GHz, 1-MB L2 cache)
450803-001	AMD Turion TL-60 processor (2.0-GHz, 1-MB L2 cache)
450804-001	AMD Turion TL-66 processor (2.3-GHz, 1-MB L2 cache)

Spare part number	Description
451010-001	Switch cover for use in full-featured models (includes LED board)
451013-001	AMD Athlon TK-53 processor (1.7-GHz, 512-MB L2 cache)
451407-001	Top cover for use in defeatured computer models with AMD processors (includes speakers and TouchPad and cable)
451861-001	Intel 802.11a/b/g WLAN module for use in Antigua and Barbuda, Argentina, Australia, the Bahamas, Barbados, Brunei, Canada, Chile, the Dominican Republic, Guam, Guatemala, Hong Kong, India, Indonesia, Malaysia, Mexico, New Zealand, Panama, Paraguay, Saudi Arabia, Taiwan, the United States, and Vietnam
451861-002	Intel 802.11a/b/g WLAN module for use in Aruba, Austria, Azerbaijan, Bahrain, Belgium, Bermuda, Brazil, Bulgaria, the Cayman Islands, Colombia, Croatia, Cyprus, the Czech Republic, Denmark, Egypt, El Salvador, Estonia, Finland, France, Georgia, Germany, Greece, Hungary, Iceland, Ireland, Italy, Jordan, Latvia, Lebanon, Liechtenstein, Lithuania, Luxembourg, Malta, Monaco, the Netherlands, Norway, Oman, the Philippines, Poland, Portugal, Romania, Russia, Serbia and Montenegro, Singapore, Slovakia, Slovenia, South Africa, Spain, Sri Lanka, Sweden, Switzerland, Turkey, the United Kingdom, and Uzbekistan
451861-003	Intel 802.11a/b/g WLAN module for use in Ecuador, Haiti, Honduras, Pakistan, the People's Republic of China, Peru, Qatar, South Korea, Uruguay, and Venezuela
451861-004	Intel 802.11b/g WLAN module for use in Thailand
451861-291	Intel 802.11a/b/g WLAN module for use in Japan
451862-001	160-GB, 5400-rpm hard drive
451863-001	200-GB, 4200-rpm hard drive
451864-001	12-cell, 8.8-AH battery
453033-001	Intel Core Duo T5250 1.50-GHz processor (2-MB L2 cache, 533-MHz FSB; includes thermal material)
453198-001	90-watt, PFC AC adapter
453199-001	65-watt, PFC AC adapter
453328-001	Display bezel for use only with computer models equipped with microphones
453770-001	System board for use only in computer models with Intel processors
453771-001	Intel Core 2 Duo 2.20-GHz processor (4-MB L2 cache, 800-MHz FSB; includes thermal material)
453772-001	Intel Core 2 Duo 1.50-GHz processor (2-MB L2 cache, 667-MHz FSB; includes thermal material)
453773-001	Intel Core 2 Duo 1.86-GHz processor (1-MB L2 cache, 533-MHz FSB; includes thermal material)
453774-001	2048-MB memory module (PC2-5300, 667-MHz, DDR2)
453775-001	250-GB, 5400-rpm hard drive
454167-001	System board for use only in defeatured computer models with AMD processors
454169-001	Display bezel for use in defeatured computer models with AMD processors
454170-001	Top cover for use in full-featured computer models with AMD processors (includes speakers and TouchPad and cable)
454171-001	Base enclosure for use with defeatured computer models (includes infrared lens and wireless on/off switch)
454176-001	Audio boards for use in full-featured computer models with AMD processors (includes audio board cable)
455076-001	DVD/CD-RW Combo Drive for use in computer models with AMD processors

Spare part number	Description
455196-001	15.4-inch, WXGA, BrightView display assembly with plain top for computer models with AMD processors (includes microphones)
455260-001	Switch cover for use in defeatured models (includes LED board)
455514-001	Top cover (includes TouchPad)
455515-001	Intel Core 2 Duo 2.00-GHz processor (2-MB L2 cache, 800-MHz FSB; includes thermal material)

4 Removal and replacement procedures

Preliminary replacement requirements


Tools required

You will need the following tools to complete the removal and replacement procedures:

- Magnetic screwdriver
- Phillips PO and P1 screwdrivers
- Flat-bladed screwdriver

Service considerations

The following sections include some of the considerations that you must keep in mind during disassembly and assembly procedures.

 **NOTE:** As you remove each subassembly from the computer, place the subassembly (and all accompanying screws) away from the work area to prevent damage.

Plastic parts

Using excessive force during disassembly and reassembly can damage plastic parts. Use care when handling the plastic parts. Apply pressure only at the points designated in the maintenance instructions.

Cables and connectors

-
- △ **CAUTION:** When servicing the computer, be sure that cables are placed in their proper locations during the reassembly process. Improper cable placement can damage the computer.
-

Cables must be handled with extreme care to avoid damage. Apply only the tension required to unseat or seat the cables during removal and insertion. Handle cables by the connector whenever possible. In all cases, avoid bending, twisting, or tearing cables. Be sure that cables are routed in such a way that they cannot be caught or snagged by parts being removed or replaced. Handle flex cables with extreme care; these cables tear easily.

Drive handling

-
- △ **CAUTION:** Drives are fragile components that must be handled with care. To prevent damage to the computer, damage to a drive, or loss of information, observe these precautions:
-

Before removing or inserting a hard drive, shut down the computer. If you are unsure whether the computer is off or in Hibernation, turn the computer on, and then shut it down through the operating system.

Before handling a drive, be sure that you are discharged of static electricity. While handling a drive, avoid touching the connector.

Before removing a diskette drive or optical drive, be sure that a diskette or disc is not in the drive and be sure that the optical drive tray is closed.

Handle drives on surfaces covered with at least one inch of shock-proof foam.

Avoid dropping drives from any height onto any surface.

After removing a hard drive, an optical drive, or a diskette drive, place it in a static-proof bag.

Avoid exposing a hard drive to products that have magnetic fields, such as monitors or speakers.

Avoid exposing a drive to temperature extremes or liquids.

If a drive must be mailed, place the drive in a bubble pack mailer or other suitable form of protective packaging and label the package "FRAGILE."

Grounding guidelines

Electrostatic discharge damage

Electronic components are sensitive to electrostatic discharge (ESD). Circuitry design and structure determine the degree of sensitivity. Networks built into many integrated circuits provide some protection, but in many cases, ESD contains enough power to alter device parameters or melt silicon junctions.

A discharge of static electricity from a finger or other conductor can destroy static-sensitive devices or microcircuitry. Even if the spark is neither felt nor heard, damage may have occurred.

An electronic device exposed to ESD may not be affected at all and can work perfectly throughout a normal cycle. Or the device may function normally for a while, then degrade in the internal layers, reducing its life expectancy.

△ **CAUTION:** To prevent damage to the computer when you are removing or installing internal components, observe these precautions:

Keep components in their electrostatic-safe containers until you are ready to install them.

Use nonmagnetic tools.

Before touching an electronic component, discharge static electricity by using the guidelines described in this section.

Avoid touching pins, leads, and circuitry. Handle electronic components as little as possible.

If you remove a component, place it in an electrostatic-safe container.

The following table shows how humidity affects the electrostatic voltage levels generated by different activities.

△ **CAUTION:** A product can be degraded by as little as 700 V.

Typical electrostatic voltage levels			
Event	Relative humidity		
	10%	40%	55%
Walking across carpet	35,000 V	15,000 V	7,500 V
Walking across vinyl floor	12,000 V	5,000 V	3,000 V
Motions of bench worker	6,000 v	800 V	400 V
Removing DIPS from plastic tube	2,000 V	700 V	400 V
Removing DIPS from vinyl tray	11,500 V	4,000 V	2,000 V
Removing DIPS from Styrofoam	14,500 V	5,000 V	3,500 V
Removing bubble pack from PCB	26,500 V	20,000 V	7,000 V
Packing PCBs in foam-lined box	21,000 V	11,000 V	5,000 V

Packaging and transporting guidelines

Follow these grounding guidelines when packaging and transporting equipment:

- To avoid hand contact, transport products in static-safe tubes, bags, or boxes.
- Protect ESD-sensitive parts and assemblies with conductive or approved containers or packaging.
- Keep ESD-sensitive parts in their containers until the parts arrive at static-free workstations.
- Place items on a grounded surface before removing items from their containers.
- Always be properly grounded when touching a component or assembly.
- Store reusable ESD-sensitive parts from assemblies in protective packaging or nonconductive foam.
- Use transporters and conveyors made of antistatic belts and roller bushings. Be sure that mechanized equipment used for moving materials is wired to ground and that proper materials are selected to avoid static charging. When grounding is not possible, use an ionizer to dissipate electric charges.

Workstation guidelines

Follow these grounding workstation guidelines:

- Cover the workstation with approved static-shielding material.
- Use a wrist strap connected to a properly grounded work surface and use properly grounded tools and equipment.
- Use conductive field service tools, such as cutters, screwdrivers, and vacuums.
- When fixtures must directly contact dissipative surfaces, use fixtures made only of static-safe materials.
- Keep the work area free of nonconductive materials, such as ordinary plastic assembly aids and Styrofoam.
- Handle ESD-sensitive components, parts, and assemblies by the case or PCM laminate. Handle these items only at static-free workstations.
- Avoid contact with pins, leads, or circuitry.
- Turn off power and input signals before inserting or removing connectors or test equipment.

Equipment guidelines

Grounding equipment must include either a wrist strap or a foot strap at a grounded workstation.

- When seated, wear a wrist strap connected to a grounded system. Wrist straps are flexible straps with a minimum of one megohm $\pm 10\%$ resistance in the ground cords. To provide proper ground, wear a strap snugly against the skin at all times. On grounded mats with banana-plug connectors, use alligator clips to connect a wrist strap.
- When standing, use foot straps and a grounded floor mat. Foot straps (heel, toe, or boot straps) can be used at standing workstations and are compatible with most types of shoes or boots. On conductive floors or dissipative floor mats, use foot straps on both feet with a minimum of one megohm resistance between the operator and ground. To be effective, the conductive strips must be worn in contact with the skin.

The following grounding equipment is recommended to prevent electrostatic damage:

- Antistatic tape
- Antistatic smocks, aprons, and sleeve protectors
- Conductive bins and other assembly or soldering aids
- Nonconductive foam
- Conductive tabletop workstations with ground cords of one megohm resistance
- Static-dissipative tables or floor mats with hard ties to the ground
- Field service kits
- Static awareness labels
- Material-handling packages
- Nonconductive plastic bags, tubes, or boxes
- Metal tote boxes
- Electrostatic voltage levels and protective materials

The following table lists the shielding protection provided by antistatic bags and floor mats.

Material	Use	Voltage protection level
Antistatic plastic	Bags	1,500 V
Carbon-loaded plastic	Floor mats	7,500 V
Metallized laminate	Floor mats	5,000 V

Unknown user password

If the computer you are servicing has an unknown user password, follow these steps to clear the password.

 **NOTE:** These steps also clear CMOS.

Before disassembling the computer, follow these steps:

1. Shut down the computer. If you are unsure whether the computer is off or in Hibernation, turn the computer on, and then shut it down through the operating system.
2. Disconnect all external devices connected to the computer.
3. Disconnect the power from the computer by first unplugging the power cord from the AC outlet and then unplugging the AC adapter from the computer.
4. Remove the battery (see [Battery on page 42](#)).
5. Remove the RTC battery (see [RTC battery on page 47](#)).
6. Wait approximately 5 minutes.
7. Replace the RTC battery and reassemble the computer.
8. Connect AC power to the computer. Do not reinsert any batteries at this time.
9. Turn on the computer.

All passwords and all CMOS settings have been cleared.

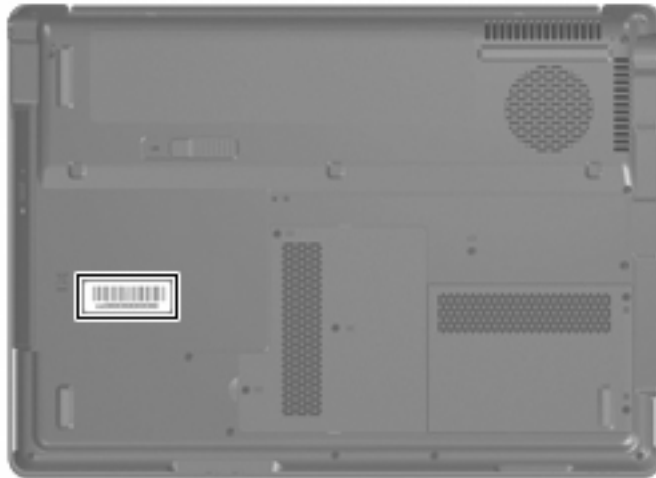
Component replacement procedures

This chapter provides removal and replacement procedures.

There are as many as 87 screws and standoffs, in 13 different sizes, that must be removed, replaced, or loosened when servicing the computer. Make special note of each screw and standoff size and location during removal and replacement.

Serial number

Report the computer serial number to HP when requesting information or ordering spare parts. The serial number is located on the bottom of the computer.



Battery

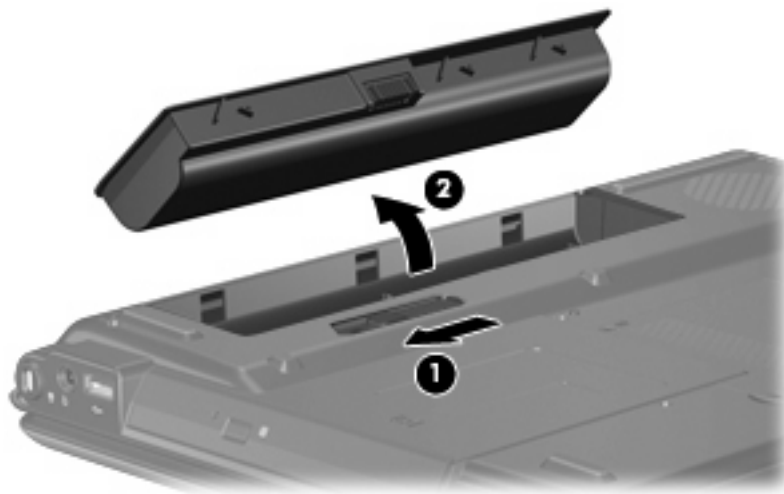
Description	Spare part number
12-cell, 8.80-Ah Li-ion battery	451864-001
6-cell, 2.55-Ah Li-ion battery	446507-001
6-cell, 2.20-Ah Li-ion battery	446506-001

Before disassembling the computer, follow these steps:

1. Shut down the computer. If you are unsure whether the computer is off or in Hibernation, turn the computer on, and then shut it down through the operating system.
2. Disconnect all external devices connected to the computer.
3. Disconnect the power from the computer by first unplugging the power cord from the AC outlet and then unplugging the AC adapter from the computer.


Remove the battery:

1. Turn the computer upside down on a flat surface.
2. Slide the battery release latch **(1)** to release the battery.
3. Pivot the battery **(2)** upward and remove it from the computer.



To insert the battery, insert the rear edge of the battery into the battery bay and pivot the battery downward until it is seated. The battery release latch automatically locks the battery into place.

Hard drive

 **NOTE:** All hard drive spare part kits include a hard drive bracket.

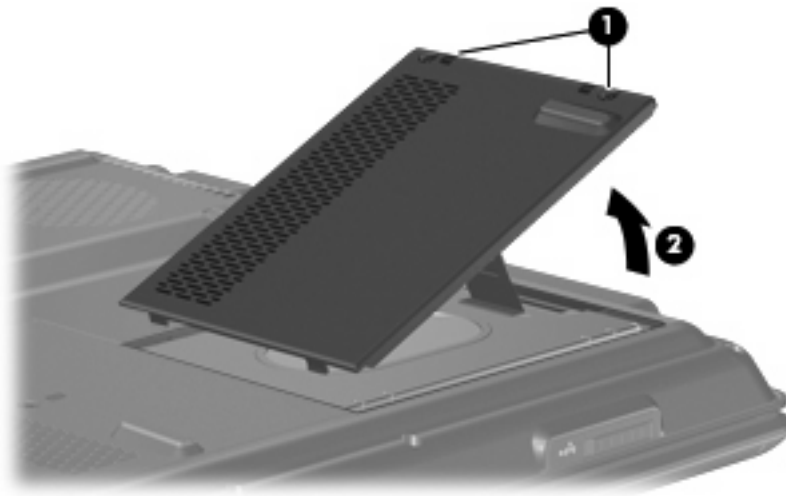
Description	Spare part number
250-GB, 5400-rpm	453775-001
200-GB, 4200-rpm	451863-001
160-GB, 5400-rpm	451862-001
120-GB, 5400-rpm	446498-001
80-GB, 5400-rpm	446497-001
60-GB, 5400-rpm	446496-001

Before removing the hard drive, follow these steps:


1. Shut down the computer. If you are unsure whether the computer is off or in Hibernation, turn the computer on, and then shut it down through the operating system.
2. Disconnect all external devices connected to the computer.
3. Disconnect the power from the computer by first unplugging the power cord from the AC outlet and then unplugging the AC adapter from the computer.
4. Remove the battery (see [Battery on page 42](#)).

Remove the hard drive:

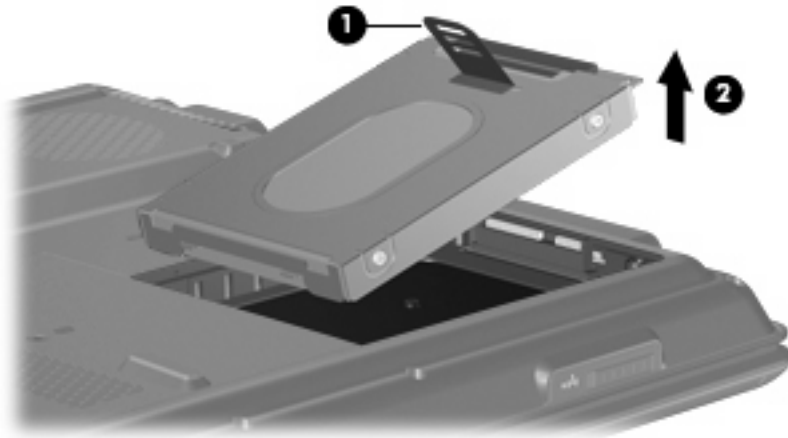
1. Loosen the two Phillips PM2.0x5.0 screws **(1)** that secure the hard drive cover to the computer.
2. Lift the right side of the hard drive cover **(2)**, swing it to left, and remove the cover.



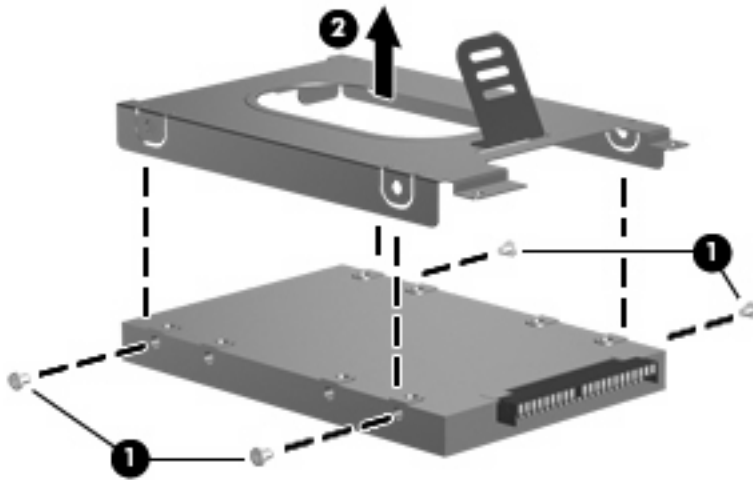
3. Remove the hard drive cover.

 **NOTE:** The hard drive cover is included in the Plastics Kit, spare part number 438669-001.

4. Use the Mylar tab **(1)** to lift the hard drive **(2)** until it disconnects from the computer.



5. Remove the hard drive.
6. If it is necessary to remove the hard drive bracket, remove the four Phillips PM3.0x3.0 screws **(1)** that secure the hard drive bracket to the hard drive.
7. Lift the bracket **(2)** straight up to remove it from the hard drive.

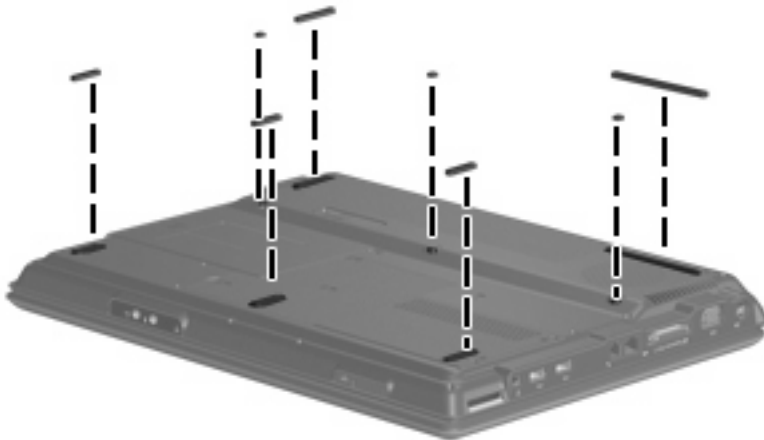


Reverse this procedure to reassemble and install the hard drive.

Computer feet

Description	Spare part number
Rubber Kit (includes base enclosure rubber feet and display bezel screw covers)	431431-001

The computer feet are adhesive-backed rubber pads. The feet attach to the base enclosure in the locations illustrated below.



Memory module

Description	Spare part number
2048-MB (PC2-5300, 667-MHz, 1-DIMM)	453774-001
1024-MB (PC2-5300, 667-MHz, 1-DIMM)	446495-001
512-MB (PC2-5300, 667-MHz, 1-DIMM)	446494-001

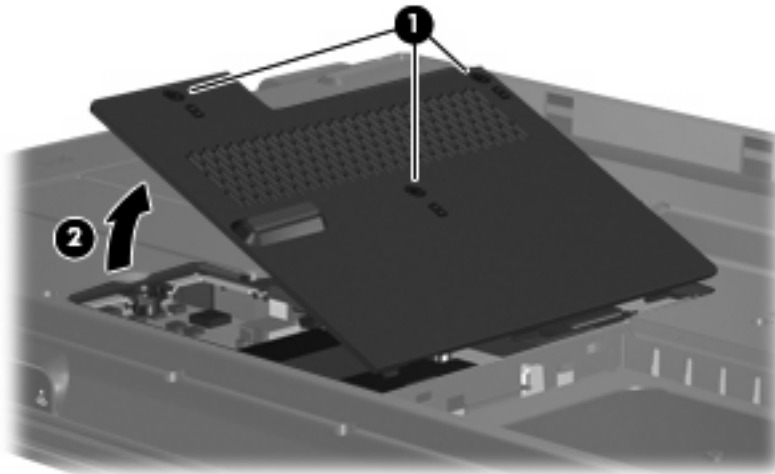
Before removing the memory module, follow these steps:

1. Shut down the computer. If you are unsure whether the computer is off or in Hibernation, turn the computer on, and then shut it down through the operating system.
2. Disconnect all external devices connected to the computer.
3. Disconnect the power from the computer by first unplugging the power cord from the AC outlet and then unplugging the AC adapter from the computer.
4. Remove the battery (see [Battery on page 42](#)).


Remove the memory module:

1. Loosen the three Phillips PM2.0×5.0 screws **(1)** that secure the memory/WLAN module compartment cover to the computer.


2. Lift the left side of the cover **(2)**, swing it to the right, and remove the cover.

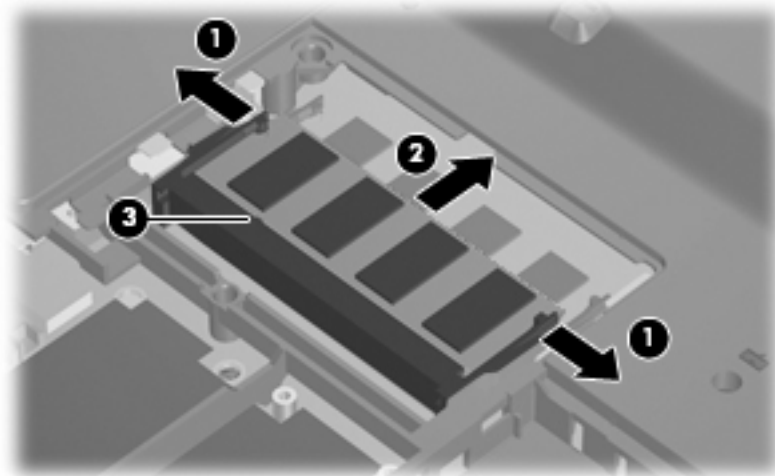


3. Remove the memory/WLAN module compartment cover.

 **NOTE:** The memory/WLAN module compartment cover is included in the Plastics Kit, spare part number 438669-001.


4. Spread the retaining tabs **(1)** on each side of the memory module slot to release the memory module. (The edge of the module opposite the slot rises away from the computer.)
5. Remove the module **(2)** by pulling it away from the slot at an angle.

 **NOTE:** Memory modules are designed with a notch **(3)** to prevent incorrect installation into the memory module slot.



Reverse this procedure to install a memory module.

RTC battery

 **NOTE:** Removing the RTC battery and leaving it uninstalled for 5 or more minutes causes all passwords and CMOS settings to be cleared.


Description	Spare part number
RTC battery (includes 2-sided tape)	446518-001 and 449729-001

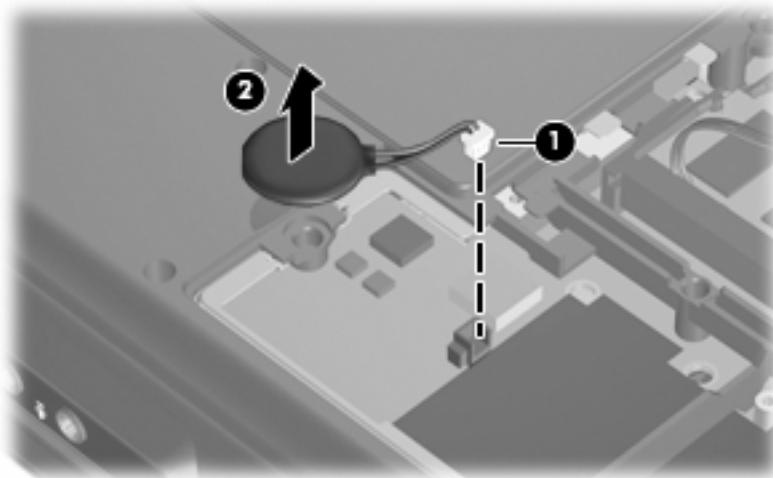
Before removing the RTC battery, follow these steps:

1. Shut down the computer. If you are unsure whether the computer is off or in Hibernation, turn the computer on, and then shut it down through the operating system.
2. Disconnect all external devices connected to the computer.
3. Disconnect the power from the computer by first unplugging the power cord from the AC outlet and then unplugging the AC adapter from the computer.
4. Remove the battery (see [Battery on page 42](#)).
5. Remove the memory/WLAN module compartment cover (see [Memory module on page 45](#)).

Remove the RTC battery:

1. Disconnect the RTC battery cable (**1**) from the system board.
2. Remove the RTC battery (**2**).

 **NOTE:** The RTC battery is secured to the computer by 2-sided tape. All replacement RTC battery spare part kits include 2-sided tape.



Reverse this procedure to install the RTC battery.

WLAN module

Description	Spare part number
Intel 802.11a/b/g/n WLAN modules:	
<ul style="list-style-type: none"> For use in Antigua & Barbuda, Argentina, Aruba, the Bahamas, Barbados, Bermuda, Brunei, Canada, the Cayman Islands, Chile, Colombia, Costa Rica, the Dominican Republic, Ecuador, El Salvador, Guam, Guatemala, Haiti, Honduras, Hong Kong, India, Indonesia, Malaysia, Mexico, Panama, Paraguay, Peru, Saudi Arabia, Taiwan, the United States, Uruguay, Venezuela, and Vietnam 	441086-001
<ul style="list-style-type: none"> For use in Austria, Azerbaijan, Bahrain, Belgium, Brazil, Bulgaria, Croatia, Cyprus, the Czech Republic, Denmark, Egypt, Estonia, Finland, France, Georgia, Germany, Greece, Hungary, Iceland, Ireland, Israel, Italy, Latvia, Lebanon, Liechtenstein, Lithuania, Luxembourg, Malta, Monaco, the Netherlands, Norway, Oman, the Philippines, Poland, Portugal, Qatar, Romania, Russia, Serbia and Montenegro, Singapore, Slovakia, Slovenia, South Africa, Spain, Sri Lanka, Sweden, Switzerland, Turkey, Ukraine, the United Kingdom, and Uzbekistan 	441086-002 and 441087-002
<ul style="list-style-type: none"> For use in Australia, New Zealand, Pakistan, the People's Republic of China, and South Korea 	441086-003 and 441088-003
<ul style="list-style-type: none"> For use in Japan 	441086-291 and 441089-291
<ul style="list-style-type: none"> For use in South Korea 	441086-AD1
Intel 802.11a/b/g WLAN modules:	
<ul style="list-style-type: none"> For use in Antigua & Barbuda, Argentina, Australia, the Bahamas, Barbados, Brunei, Canada, Chile, the Dominican Republic, Guam, Guatemala, Hong Kong, India, Indonesia, Malaysia, Mexico, New Zealand, Panama, Paraguay, Saudi Arabia, Taiwan, the United States, and Vietnam 	451861-001
<ul style="list-style-type: none"> For use in Aruba, Austria, Azerbaijan, Bahrain, Belgium, Bermuda, Brazil, Bulgaria, the Cayman Islands, Colombia, Croatia, Cyprus, the Czech Republic, Denmark, Egypt, El Salvador, Estonia, Finland, France, Georgia, Germany, Greece, Hungary, Iceland, Ireland, Italy, Jordan, Latvia, Lebanon, Liechtenstein, Lithuania, Luxembourg, Malta, Monaco, the Netherlands, Norway, Oman, the Philippines, Poland, Portugal, Romania, Russia, Serbia and Montenegro, Singapore, Slovakia, Slovenia, South Africa, Spain, Sri Lanka, Sweden, Switzerland, Turkey, the United Kingdom, and Uzbekistan 	451861-002
<ul style="list-style-type: none"> For use in Ecuador, Haiti, Honduras, Pakistan, the People's Republic of China, Peru, Qatar, South Korea, Uruguay, and Venezuela 	451861-003
<ul style="list-style-type: none"> For use in Japan 	451861-291
Broadcom 802.11b/g WLAN modules:	
<ul style="list-style-type: none"> For use in Canada, the Cayman Islands, Guam, Puerto Rico, the U.S. Virgin Islands, and the United States 	441090-001
<ul style="list-style-type: none"> For use in Afghanistan, Albania, Algeria, Andorra, Angola, Antigua & Barbuda, Argentina, Armenia, Aruba, Australia, Austria, Azerbaijan, the Bahamas, Bahrain, Bangladesh, Barbados, Belarus, Belgium, Belize, Benin, Bermuda, Bhutan, Bolivia, Bosnia & Herzegovina Botswana, Brazil, the British Virgin Islands, Brunei, Bulgaria, Burkina Faso, Burundi, Cambodia, Cameroon, Cape Verde, the Central African Republic, Chad, Chile, Colombia, Comoros, the Congo, Costa Rica, Croatia, Cyprus, the Czech Republic, Denmark, Djibouti, Dominica, the Dominican Republic, East Timor, Ecuador, Egypt, El Salvador, Equatorial Guinea, Eritrea, Estonia, Ethiopia, Fiji, Finland, France, French Guiana, Gabon, Gambia, Georgia, Germany, Ghana, Gibraltar, Greece, Grenada, Guadeloupe, Guatemala, Guinea, Guinea-Bissa, Guyana, Haiti, Honduras, Hong Kong, Hungary, Iceland, India, Indonesia, Ireland, Israel, Italy, the Ivory Coast, Jamaica, Jordan, Kazakhstan, Kenya, Kiribati, Kuwait, Kyrgyzstan, Laos, Latvia, Lebanon, Lesotho, Liberia, Liechtenstein, Lithuania, Luxembourg, Macedonia, Madagascar, Malawi, Malaysia, the Maldives, Mali, Malta, the Marshall Islands, Martinique, Mauritania, Mauritius, Mexico, Micronesia, Monaco, Mongolia, Montenegro, Morocco, Mozambique, Namibia, Nauru, 	441090-002


Description	Spare part number
Nepal, the Nether Antilles, the Netherlands, New Zealand, Nicaragua, Niger, Nigeria, Norway, Oman, Palau, Panama, Papua New Guinea, Paraguay, the People's Republic of China, Peru, the Philippines, Poland, Portugal, Qatar, the Republic of Moldova, Romania, Russia, Rwanda, Samoa, San Marino, Sao Tome & Principe, Saudi Arabia, Senegal, Serbia and Montenegro, the Seychelles, Sierra Leone, Singapore, Slovakia, Slovenia, the Solomon Islands, Somalia, South Africa, South Korea, Spain, Sri Lanka, St. Kitts & Nevis, St. Lucia, St. Vincent & Grenada, Suriname, Swaziland, Sweden, Switzerland, Taiwan, Tajikistan, Tanzania, Thailand, Togo, Tonga, Trinidad & Tobago, Tunisia, Turkey, Turkmenistan, Tuvalu, Uganda, Ukraine, the United Arab Emirates, the United Kingdom, Uruguay, Uzbekistan, Vanuatu, Venezuela, Vietnam, Yemen, Zaire, Zambia, and Zimbabwe	
<ul style="list-style-type: none"> For use in Japan 	441090-291
802.11b/g WLAN module for use in Thailand	451861-004
Broadcom 4311AG 802.11a/b/g modules:	
<ul style="list-style-type: none"> For use in the United States and Canada 	441075-001
<ul style="list-style-type: none"> For use in France, Germany, Italy, the Netherlands, Spain, the United Kingdom, Nordic region, and India 	441075-002
Broadcom 4321AGN 802.11a/b/g/n modules:	
<ul style="list-style-type: none"> For use in the United States and Canada 	434661-001
<ul style="list-style-type: none"> For use in France, Germany, Italy, the Netherlands, Spain, the United Kingdom, Nordic region, and India 	434661-002

Before removing the WLAN module, follow these steps:

1. Shut down the computer. If you are unsure whether the computer is off or in Hibernation, turn the computer on, and then shut it down through the operating system.
2. Disconnect all external devices connected to the computer.
3. Disconnect the power from the computer by first unplugging the power cord from the AC outlet and then unplugging the AC adapter from the computer.
4. Remove the battery (see [Battery on page 42](#)).
5. Remove the memory/WLAN module compartment cover (see [Memory module on page 45](#)).

Remove the WLAN module:


1. Disconnect the two WLAN antenna cables **(1)** from the WLAN module.

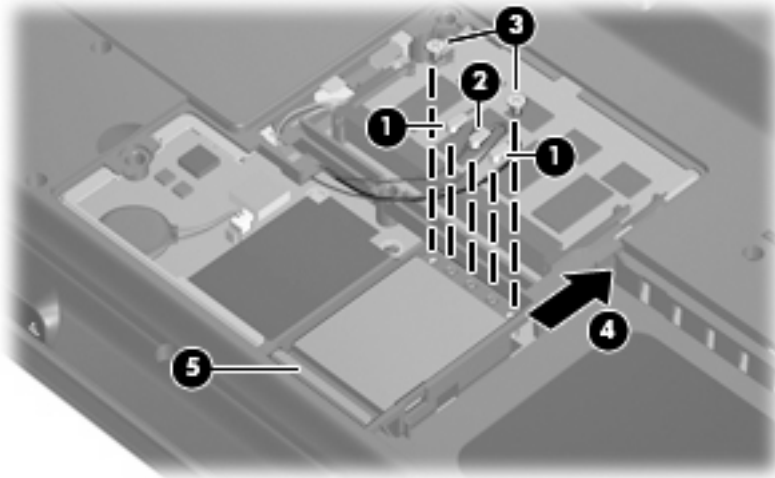
 **NOTE:** The black WLAN antenna cable is connected to the WLAN module “Main” terminal. The gray WLAN antenna cable is connected to the WLAN module “Aux” terminal.

NOTE: Computer models equipped with an 802.11a/b/g/n WLAN module have an additional wireless antenna cable **(2)**, yellow in color.

2. Remove the two Phillips PM2.0×3.0 screws **(3)** that secure the WLAN module to the computer. (The edge of the module opposite the slot rises away from the computer.)


3. Remove the WLAN module **(4)** by pulling it away from the slot at an angle.

 **NOTE:** WLAN modules are designed with a notch **(5)** to prevent incorrect installation into the WLAN module slot.



Reverse this procedure to install a WLAN module.

Optical drive

 **NOTE:** All optical drive spare part kits include an optical drive bezel.

Description	Spare part number
For use in computer models with Intel processors:	
DVD±RW and CD-RW Super Multi Double-Layer Combo Drive with LightScribe	446505-001
DVD±RW and CD-RW Super Multi Double-Layer Combo Drive	446504-001
DVD/CD-RW Combo Drive	446503-001
For use in computer models with AMD processors:	
DVD±RW and CD-RW Super Multi Double-Layer Combo Drive	449934-001
DVD±RW and CD-RW Super Multi Double-Layer Combo Drive with LightScribe	449936-001
DVD/CD-RW Combo Drive	455076-001

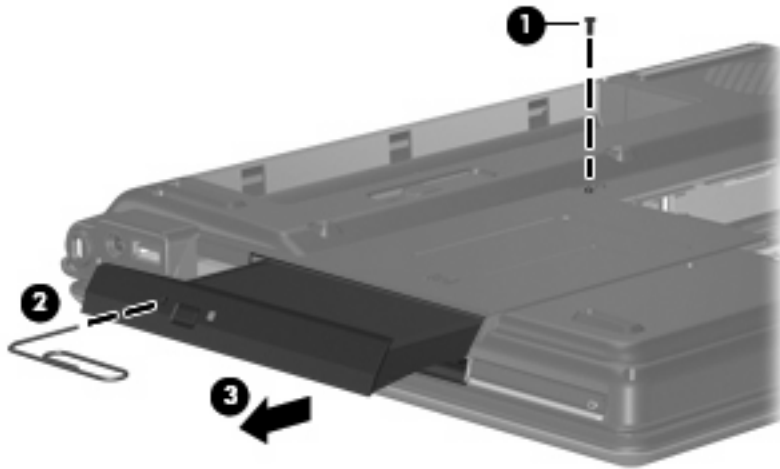
Before removing the optical drive, follow these steps:

1. Shut down the computer. If you are unsure whether the computer is off or in Hibernation, turn the computer on, and then shut it down through the operating system.
2. Disconnect all external devices connected to the computer.
3. Disconnect the power from the computer by first unplugging the power cord from the AC outlet and then unplugging the AC adapter from the computer.
4. Remove the battery (see [Battery on page 42](#)).

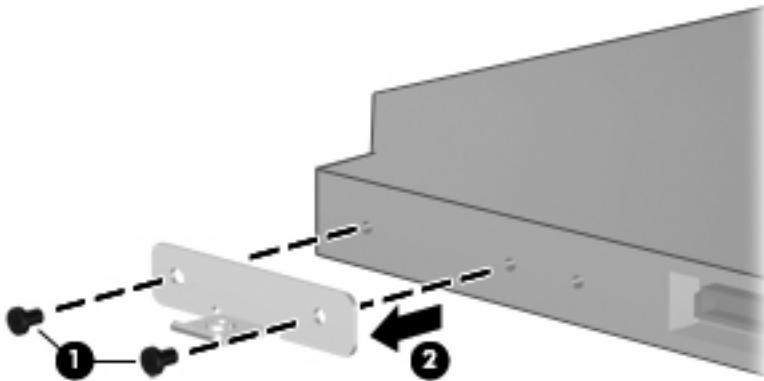
Remove the optical drive:

1. Position the computer with right side toward you.
2. Remove the Phillips PM2.5×7.0 screw **(1)** that secures the optical drive to the computer.
3. Insert a thin tool, such as a paper clip **(2)**, into the disc tray release access. (The optical drive disc tray is partially ejected from the optical drive.)
4. Use the disc tray frame to slide the optical drive **(3)** out of the computer.

5. Remove the optical drive.



6. If it is necessary to replace the optical drive bracket, position the optical drive with the optical drive bracket toward you.
7. Remove the two Phillips PM2.0×3.0 screws **(1)** that secure the optical drive bracket to the optical drive.
8. Remove the optical drive bracket **(2)**.



Reverse the above procedure to reassemble and install the optical drive.

Switch cover

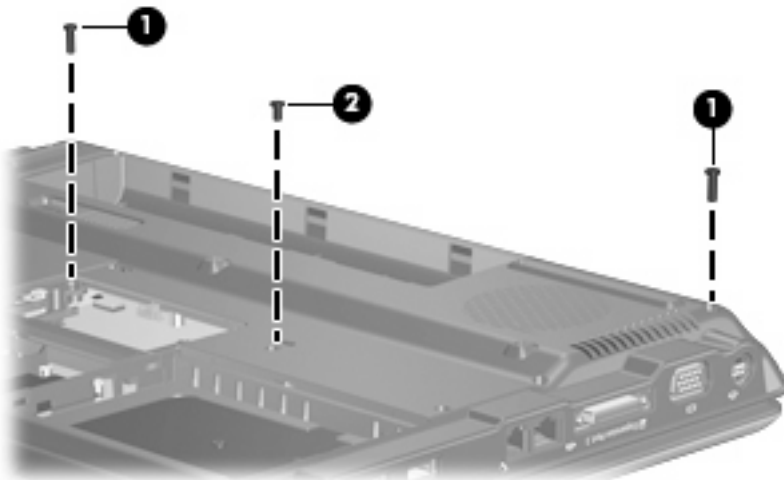
Description	Spare part number
Switch cover for use in full-featured computer models (includes LED board and cable)	431425-001 and 451010-001
Switch cover for use in defeatured computer models (includes LED board and cable)	455260-001

Before removing the switch cover, follow these steps:

1. Shut down the computer. If you are unsure whether the computer is off or in Hibernation, turn the computer on, and then shut it down through the operating system.
2. Disconnect all external devices connected to the computer.
3. Disconnect the power from the computer by first unplugging the power cord from the AC outlet and then unplugging the AC adapter from the computer.
4. Remove the battery (see [Battery on page 42](#)).

Remove the switch cover:

1. Remove the two Phillips PM2.5×10.0 screws **(1)** and the Phillips PM2.5×4.0 screw **(2)** that secure the switch cover to the computer.

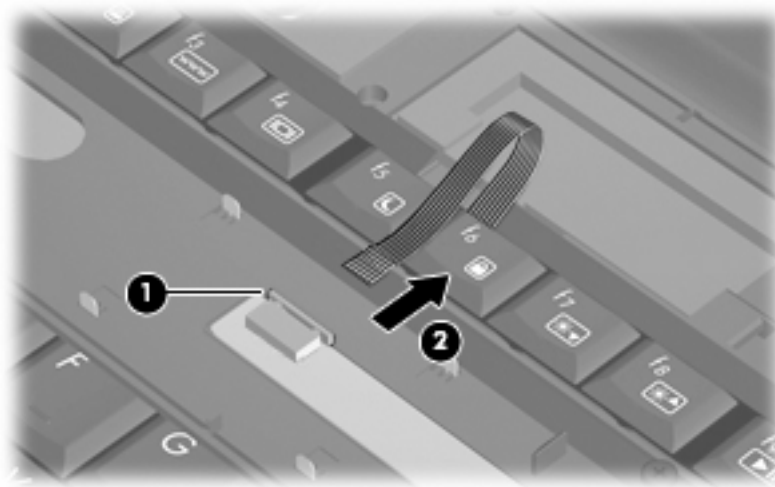


2. Turn the computer display-side up, with the front toward you.
3. Open the computer as far as possible.

4. Lift the rear edge of the switch cover and swing it forward until it rests on the keyboard.



5. Release the zero insertion force (ZIF) connector **(1)** to which the LED board cable is connected, and disconnect the cable **(2)** from the LED board.



6. Remove the switch cover.

Reverse this procedure to install the switch cover.

Keyboard

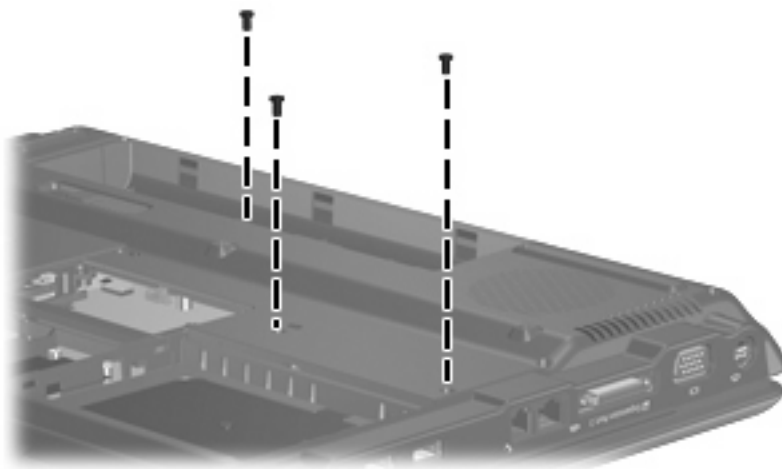
Description			
For use in:	Spare part number	For use in:	Spare part number
Finland, Norway, and Sweden	441428-DH1	Saudi Arabia	441428-171
France	441428-051	Spain	441428-071
French Canada	441428-121	Taiwan	441428-AB1
International	441428-B31	Thailand	441428-281
Italy	441428-061	Turkey	441428-141
South Korea	441428-AD1	The United Kingdom	441428-031
Latin America	441428-161	The United States	441428-001

Before removing the keyboard, follow these steps:

1. Shut down the computer. If you are unsure whether the computer is off or in Hibernation, turn the computer on, and then shut it down through the operating system.
2. Disconnect all external devices connected to the computer.
3. Disconnect the power from the computer by first unplugging the power cord from the AC outlet and then unplugging the AC adapter from the computer.
4. Remove the battery (see [Battery on page 42](#)).
5. Remove the switch cover (see [Switch cover on page 53](#)).

Remove the keyboard:

1. Turn the computer upside down, with the front toward you.
2. Remove the three Phillips PM2.5x7.0 screws that secure the keyboard to the computer.

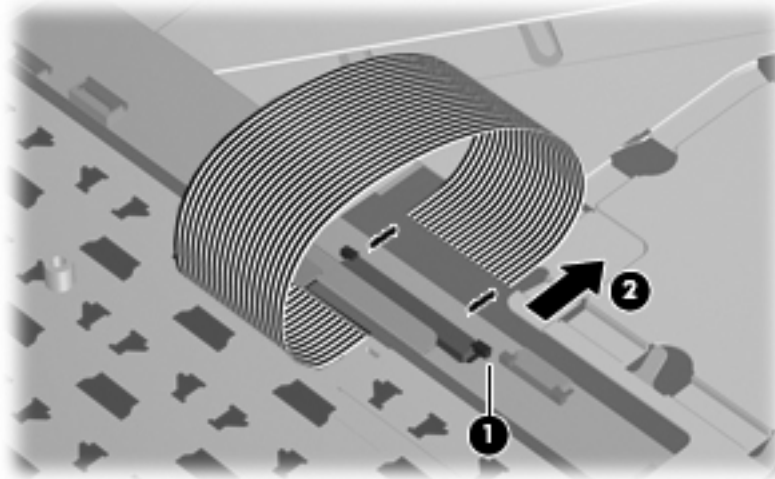


3. Turn the computer display-side up, with the front toward you.

4. Open the computer as far as possible.
5. Lift the rear edge of the keyboard **(1)** until it rests at an angle.
6. Release the keyboard **(2)** by sliding it back to disengage the tabs on the front edge of the keyboard from the top cover.
7. Swing the keyboard **(3)** up and forward until it rests on the palm rest.



8. Release the ZIF connector **(1)** to which the keyboard cable is attached, and disconnect the keyboard cable **(2)** from the system board.



9. Remove the keyboard.

Reverse this procedure to install the keyboard.

Power button board

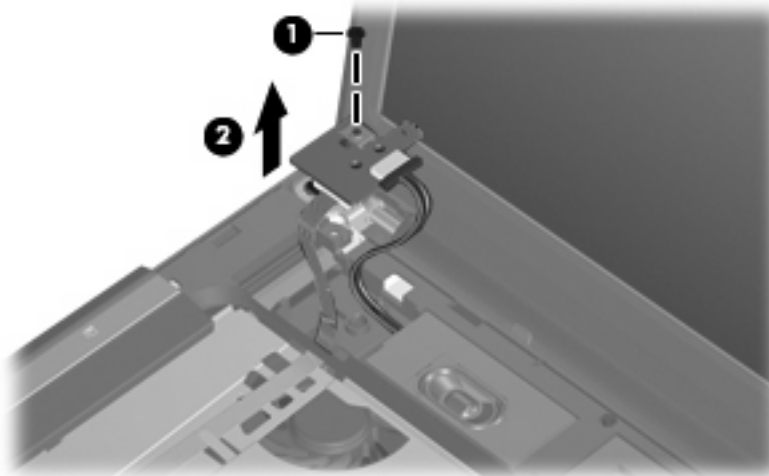
Description	Spare part number
Power button board (includes power button board cable)	431438-001

Before removing the power button board, follow these steps:

1. Shut down the computer. If you are unsure whether the computer is off or in Hibernation, turn the computer on, and then shut it down through the operating system.
2. Disconnect all external devices connected to the computer.
3. Disconnect the power from the computer by first unplugging the power cord from the AC outlet and then unplugging the AC adapter from the computer.
4. Remove the battery (see [Battery on page 42](#)).
5. Remove the switch cover (see [Switch cover on page 53](#)).
6. Remove the keyboard (see [Keyboard on page 55](#)).

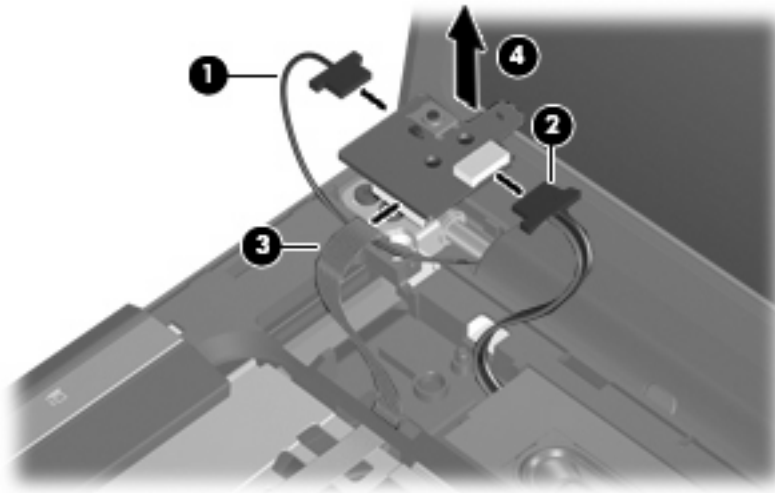
Remove the power button board:

1. Remove the Phillips PM2.5×4.0 screw **(1)** that secures the power button board to the fan/heat sink assembly.
2. Release the power button board **(2)** from the computer as far as the cables allow.



3. Disconnect the microphone cable **(1)** and the speaker cable **(2)** from the power button board.
4. Release the ZIF connector **(3)** to which the power button board cable is connected, and disconnect the cable.

5. Remove the power button board (4).



Reverse this procedure to install the power button board.

Display assembly

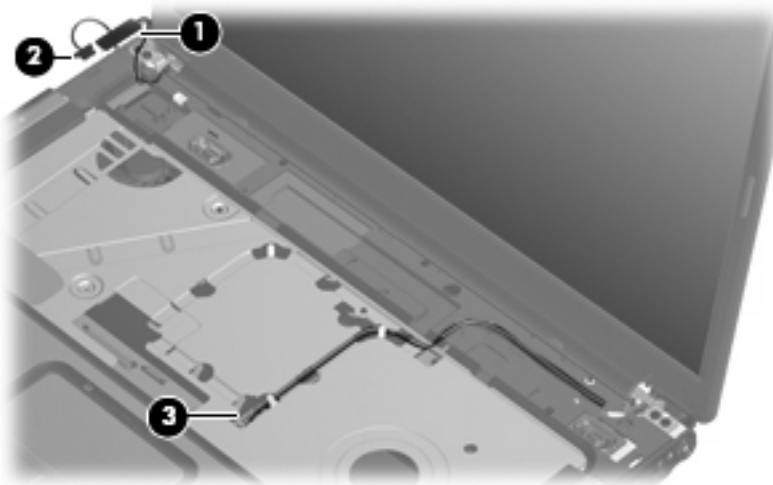
Description	Spare part number
15.4-inch, WXGA, BrightView display assembly (includes microphones)	446485-001
15.4-inch, WXGA, BrightView display assembly with plain top for computer models with AMD processors (includes microphones)	455196-001

Before removing the display assembly, follow these steps:

1. Shut down the computer. If you are unsure whether the computer is off or in Hibernation, turn the computer on, and then shut it down through the operating system.
2. Disconnect all external devices connected to the computer.
3. Disconnect the power from the computer by first unplugging the power cord from the AC outlet and then unplugging the AC adapter from the computer.
4. Remove the battery (see [Battery on page 42](#)).
5. Disconnect the WLAN antenna cables from the WLAN module (see [WLAN module on page 48](#)).
6. Remove the following components:
 - a. Switch cover (see [Switch cover on page 53](#))
 - b. Keyboard (see [Keyboard on page 55](#))

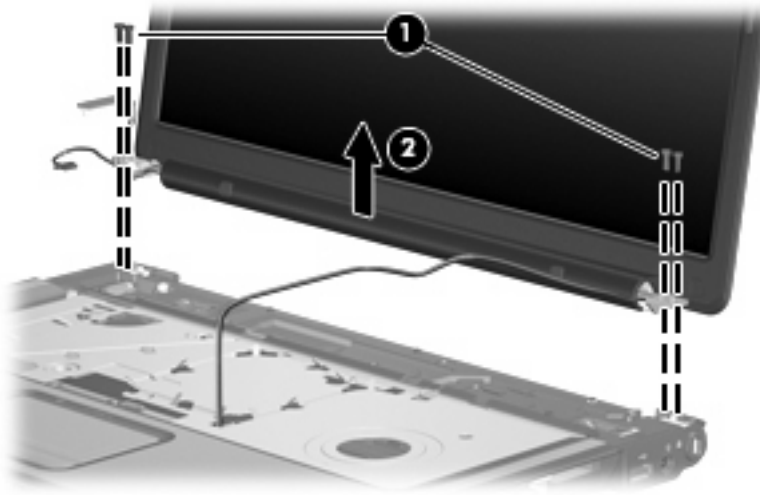
Remove the display assembly:

1. Disconnect the display panel cable **(1)** from the system board.
2. Disconnect the microphone cable **(2)** from the power button board.
3. Remove the wireless antenna cables **(3)** from the clips in the top cover.



CAUTION: Support the display assembly when removing the following screws. Failure to support the display assembly can result in damage to the display assembly and other computer components.

4. Remove the four Phillips PM2.5×7.0 screws **(1)** that secure the display assembly to the computer.
5. Remove the display assembly **(2)**.



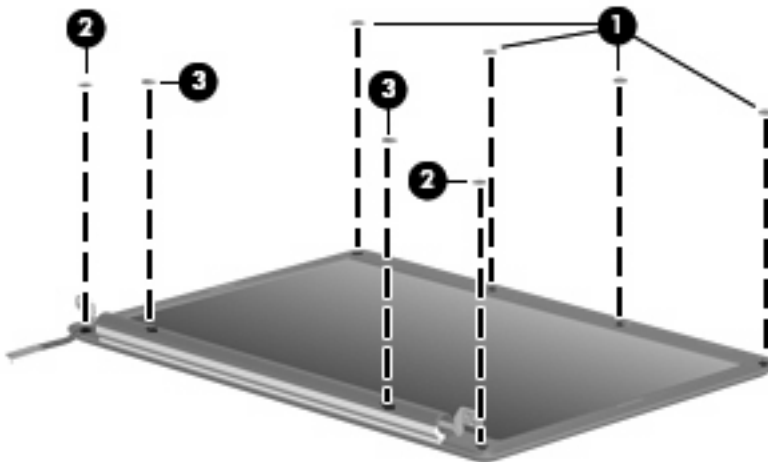
6. If it is necessary to replace the display bezel or any of the display assembly internal components, remove the following screw covers:

(1) Four covers on the top edge of the bezel

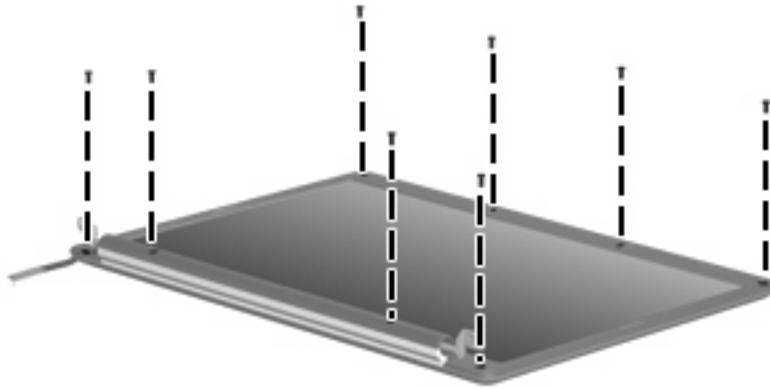
(2) Two covers on the lower bezel edges

(3) Two covers on the lower-inside edge of the bezel

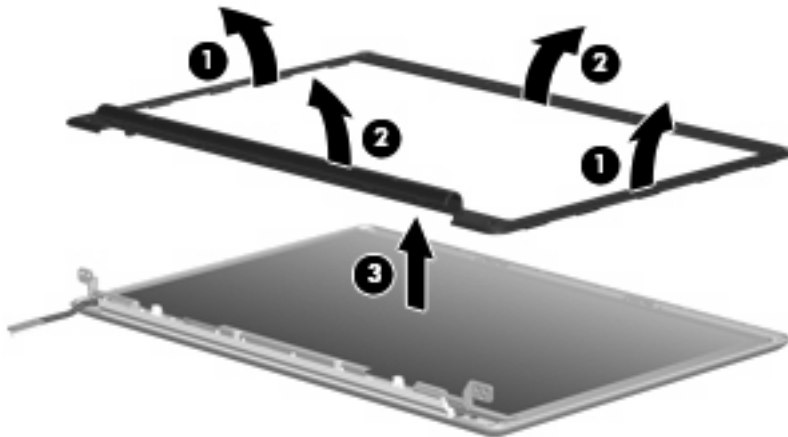
The display rubber screw covers are included in the Display Screw Kit, spare part number 431400-001.



7. Remove the eight Phillips PM2.5×7.0 screws that secure the display bezel to the display assembly.

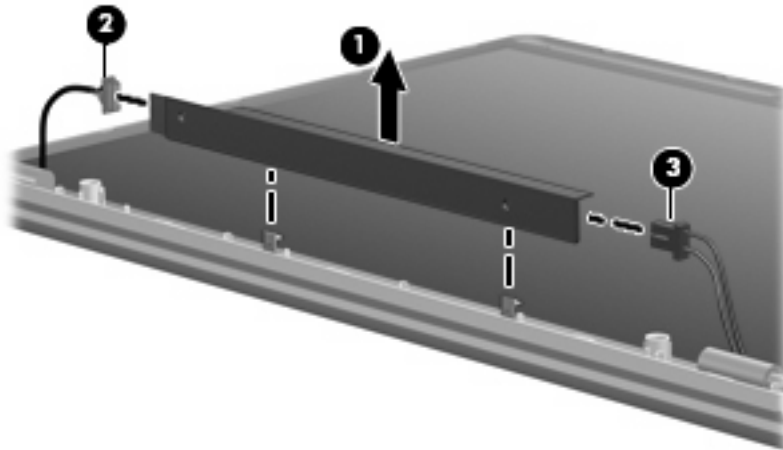


8. Flex the inside edges of the left and right sides **(1)** and the top and bottom sides **(2)** of the display bezel until the bezel disengages from the display enclosure.
9. Remove the display bezel **(3)**. The display bezels are available using spare part numbers 433283-001 and 453328-001 for models with Intel processors, 433284-002 for full-featured models with AMD processors, and 454169-002 for defeatured models with AMD processors.

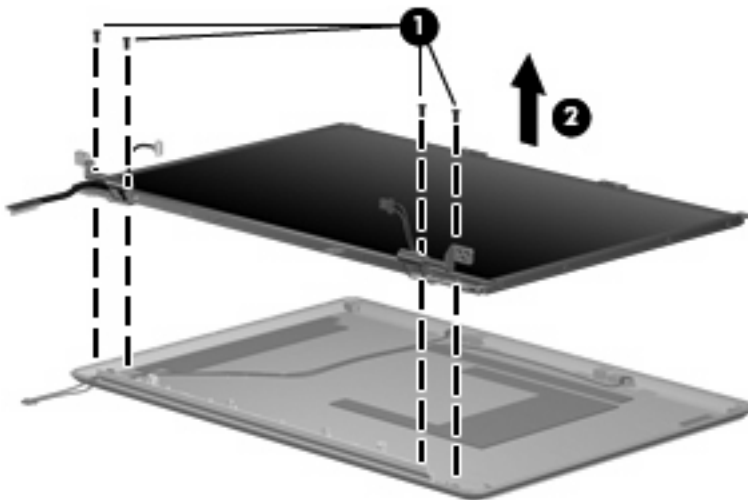


10. If it is necessary to replace the display inverter, remove the inverter **(1)** from the display enclosure as far as the display panel cable and the backlight cable allow.

11. Disconnect the display panel cable **(2)** and the backlight cable **(3)** from the inverter.

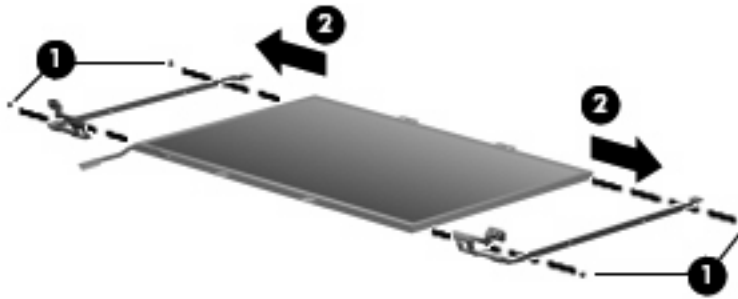


12. Remove the display inverter. The display inverter is available using spare part number 431391-001.
13. If it is necessary to replace the display panel, remove the four Phillips PM2.5×4.0 screws **(1)** that secure the display panel to the display enclosure.
14. Remove the display panel **(2)**. The display panel is available using spare part number 446480-001.

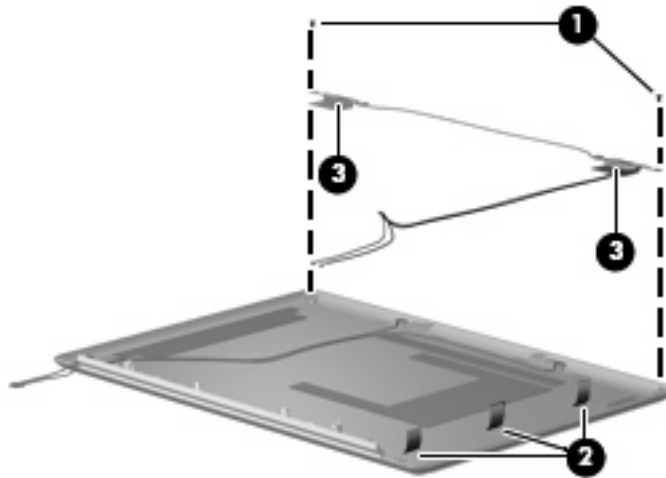


15. If it is necessary to replace the display hinges, remove the two Phillips PM2.0×3.0 screws **(1)** that secure each display hinge to the display panel.

16. Remove the display hinges (**2**). The display hinges are available using spare part number 433288-001.

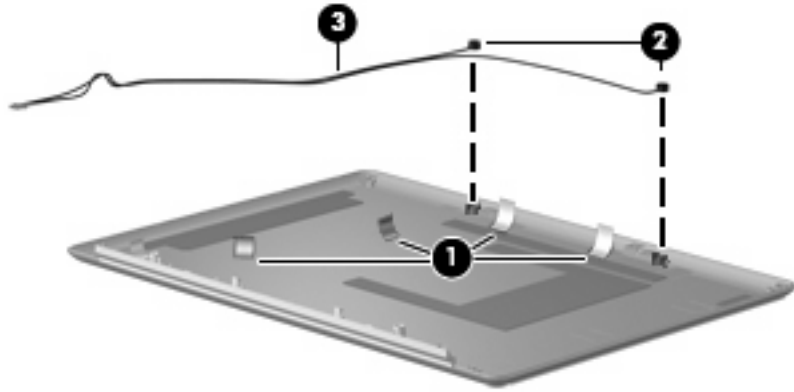


17. If it is necessary to replace the wireless antenna transceivers and cables, remove the Phillips PM2.0×3.0 screw (**1**) that secures each transceiver to the display enclosure.
18. Release the retention tabs (**2**) built into the display enclosure that secure the wireless antenna cables and remove the cables from the tabs.
19. Detach the wireless antenna transceivers (**3**) from the display enclosure. The wireless antenna transceivers and cables are available using spare part numbers 449728-001 (for use only with computer models equipped with an 802.11a/b/g/n WLAN module) and 449726-001 (for use only with computer models equipped with an 802.11a/b/g or 802.11b/g WLAN module).



20. Remove the wireless antenna transceivers and cables.
21. If it is necessary to replace the microphones and cables, release the retention tabs (**1**) built into the display enclosure that secure the microphone cables to the display enclosure.
22. Remove the microphone receivers (**2**) from the clips in the display enclosure.

23. Remove the microphone cables (**3**) from the display enclosure. The microphones and cables are available using spare part number 431393-001.



Reverse this procedure to reassemble and install the display assembly.

Top cover

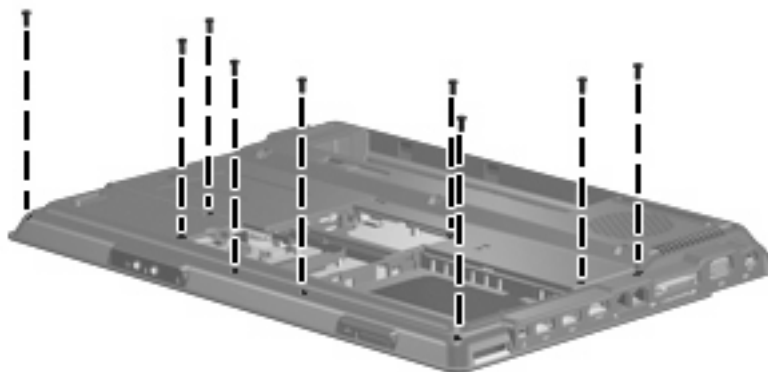
Description	Spare part number
Top cover for use with computer models with Intel processors (includes speakers and TouchPad and cable)	446510-001 and 455514-001
Top cover for use in computer models with AMD processors:	
• Full-featured models	454170-001
• Defeatured models	451407-001

Before removing the top cover, follow these steps:

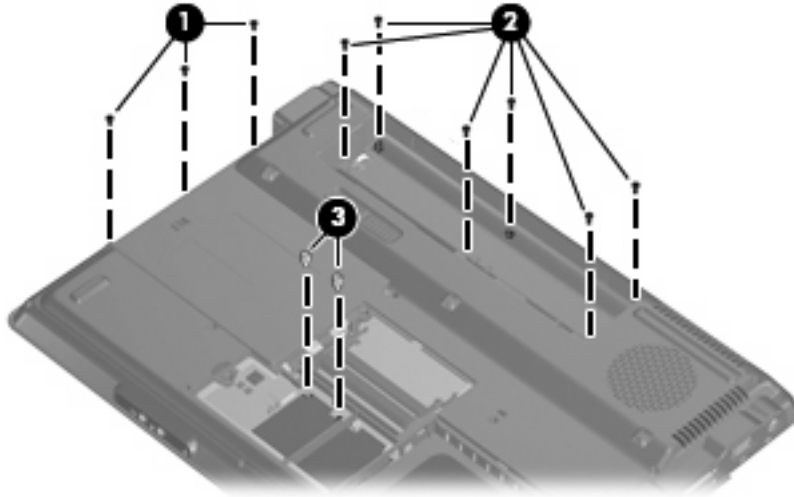
1. Shut down the computer. If you are unsure whether the computer is off or in Hibernation, turn the computer on, and then shut it down through the operating system.
2. Disconnect all external devices connected to the computer.
3. Disconnect the power from the computer by first unplugging the power cord from the AC outlet and then unplugging the AC adapter from the computer.
4. Remove the battery (see [Battery on page 42](#)).
5. Remove the following components:
 - a. Hard drive (see [Hard drive on page 43](#))
 - b. Optical drive (see [Optical drive on page 51](#))
 - c. Switch cover (see [Switch cover on page 53](#))
 - d. Keyboard (see [Keyboard on page 55](#))
 - e. Display assembly (see [Display assembly on page 59](#))

Remove the top cover:

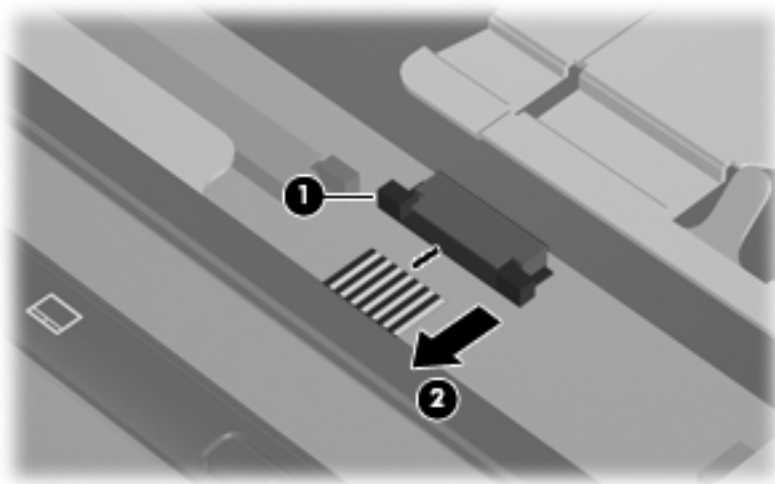
1. Turn the computer upside down, with the front toward you.
2. Remove the nine Phillips PM2.5×7.0 screws that secure the top cover to the computer.



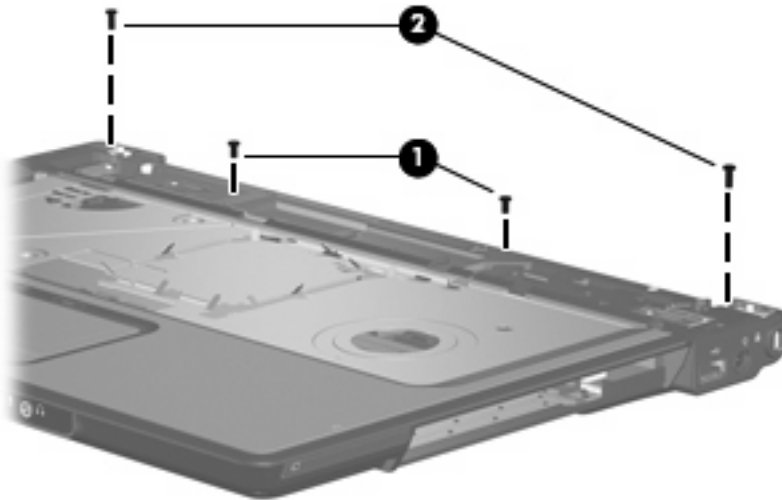
3. Remove the following screws:
 - (1) Three Phillips PM2.5×3.0 screws
 - (2) Six Phillips PM2.5×4.0 screws
 - (3) Two Hex HM5.0×9.0 screw locks



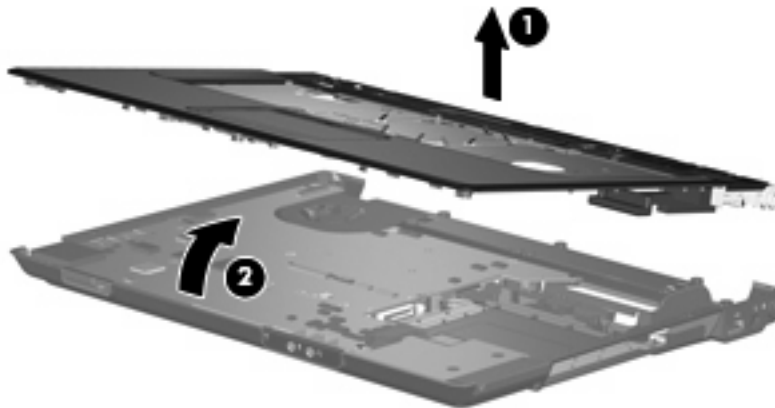
4. Turn the computer right-side up, with the front toward you.
5. Release the ZIF cable (1) to which the TouchPad cable is connected, and disconnect the TouchPad cable (2).



6. Remove the two Phillips PM2.5×7.0 screws **(1)** and the two Phillips PM2.5×4.0 screws **(2)** that secure the top cover to the base enclosure.



7. Lift the front edge of the top cover **(1)** until it disengages from the computer.
8. Remove the top cover **(2)**.



Reverse this procedure to install the top cover.

Bluetooth module

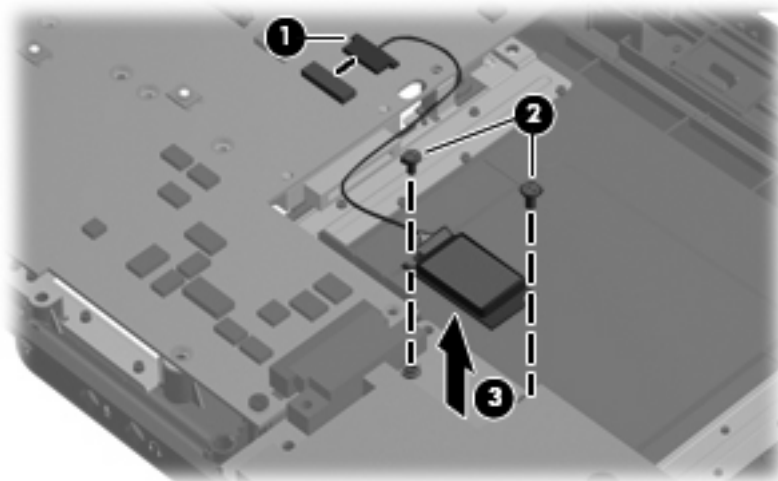
Description	Spare part number
Bluetooth module (includes Bluetooth module cable)	412766-002

Before removing the Bluetooth module, follow these steps:

1. Shut down the computer. If you are unsure whether the computer is off or in Hibernation, turn the computer on, and then shut it down through the operating system.
2. Disconnect all external devices connected to the computer.
3. Disconnect the power from the computer by first unplugging the power cord from the AC outlet and then unplugging the AC adapter from the computer.
4. Remove the battery (see [Battery on page 42](#)).
5. Remove the following components:
 - a. Hard drive (see [Hard drive on page 43](#))
 - b. Optical drive (see [Optical drive on page 51](#))
 - c. Switch cover (see [Switch cover on page 53](#))
 - d. Keyboard (see [Keyboard on page 55](#))
 - e. Display assembly (see [Display assembly on page 59](#))
 - f. Top cover (see [Top cover on page 65](#)).

Remove the Bluetooth module:

1. Disconnect the Bluetooth module cable **(1)** from the system board.
2. Remove the two Phillips PM2.0x2.0 screws **(2)** that secure the Bluetooth module to the system board.
3. Remove the Bluetooth module **(3)**.



Reverse this procedure to install the Bluetooth module.

ExpressCard assembly

Description	Spare part number
ExpressCard assembly	431440-001


Before removing the ExpressCard assembly, follow these steps:

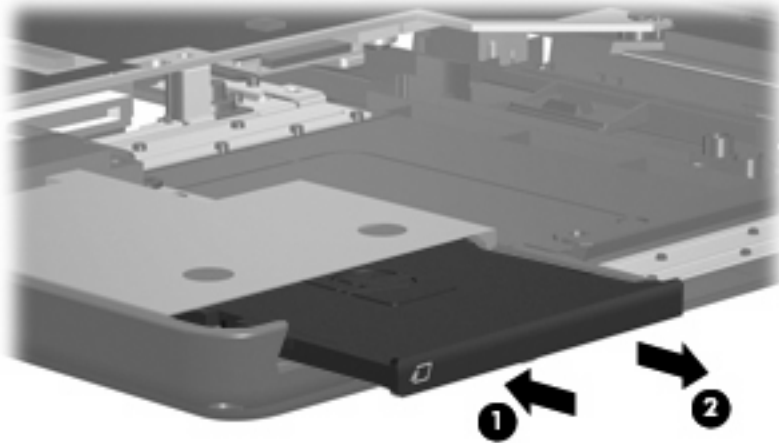
1. Shut down the computer. If you are unsure whether the computer is off or in Hibernation, turn the computer on, and then shut it down through the operating system.
2. Disconnect all external devices connected to the computer.
3. Disconnect the power from the computer by first unplugging the power cord from the AC outlet and then unplugging the AC adapter from the computer.
4. Remove the battery (see [Battery on page 42](#)).
5. Remove the following components:
 - a. Hard drive (see [Hard drive on page 43](#))
 - b. Optical drive (see [Optical drive on page 51](#))
 - c. Switch cover (see [Switch cover on page 53](#))
 - d. Keyboard (see [Keyboard on page 55](#))
 - e. Display assembly (see [Display assembly on page 59](#))
 - f. Top cover (see [Top cover on page 65](#)).

Remove the ExpressCard assembly:

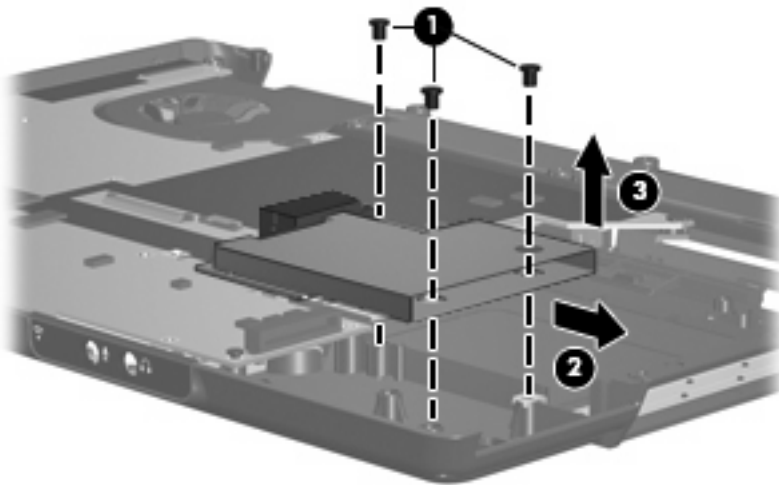
1. Push in on the ExpressCard slot bezel **(1)** to release the bezel from the ExpressCard slot.

2. Remove the ExpressCard slot bezel **(2)** from the ExpressCard slot.

 **NOTE:** The ExpressCard slot bezel is included in the Plastics Kit, spare part number 438669-001.



3. Remove the three Phillips PM2.5×4.0 screws **(1)** that secure the ExpressCard assembly to the system board.
4. Disconnect the ExpressCard assembly **(2)** from the system board by sliding it to the right.
5. Remove the ExpressCard assembly **(3)**.



Reverse this procedure to install the ExpressCard assembly.

USB/power connector board

Description	Spare part number
USB/power connector board (includes USB/power connector board cable)	447444-001

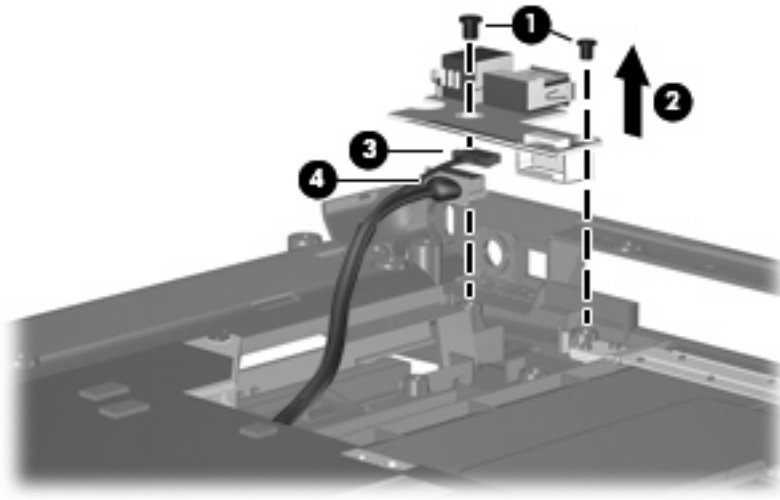
Before removing the USB/power connector board, follow these steps:

1. Shut down the computer. If you are unsure whether the computer is off or in Hibernation, turn the computer on, and then shut it down through the operating system.
2. Disconnect all external devices connected to the computer.
3. Disconnect the power from the computer by first unplugging the power cord from the AC outlet and then unplugging the AC adapter from the computer.
4. Remove the battery (see [Battery on page 42](#)).
5. Remove the following components:
 - a. Hard drive (see [Hard drive on page 43](#))
 - b. Optical drive (see [Optical drive on page 51](#))
 - c. Switch cover (see [Switch cover on page 53](#))
 - d. Keyboard (see [Keyboard on page 55](#))
 - e. Display assembly (see [Display assembly on page 59](#))
 - f. Top cover (see [Top cover on page 65](#)).

Remove the USB/power connector board:

1. Remove the two Phillips PM2.5×5.0 screws **(1)** that secure the USB/power connector board to the computer.
2. Release the USB/power connector board **(2)** as far as the USB/power connector board cable allows.

3. Disconnect the USB board cable (3) and the power connector board cable (4) from the USB/power connector board.



4. Remove the USB/power connector board.

Reverse this procedure to install the USB/power connector board.

System board

Description	Spare part number
System board for use in computer models with Intel processors	446475-001 and 453770-001
System board for use only in computer models with AMD processors:	
<ul style="list-style-type: none"> In full-featured models equipped with UMA graphics subsystem memory 	449901-001
<ul style="list-style-type: none"> In defeatured models 	454167-001

Before removing the system board, follow these steps:

1. Shut down the computer. If you are unsure whether the computer is off or in Hibernation, turn the computer on, and then shut it down through the operating system.
2. Disconnect all external devices connected to the computer.
3. Disconnect the power from the computer by first unplugging the power cord from the AC outlet and then unplugging the AC adapter from the computer.
4. Remove the battery (see [Battery on page 42](#)).
5. Remove the following components:
 - a. Hard drive (see [Hard drive on page 43](#))
 - b. Optical drive (see [Optical drive on page 51](#))
 - c. Switch cover (see [Switch cover on page 53](#))

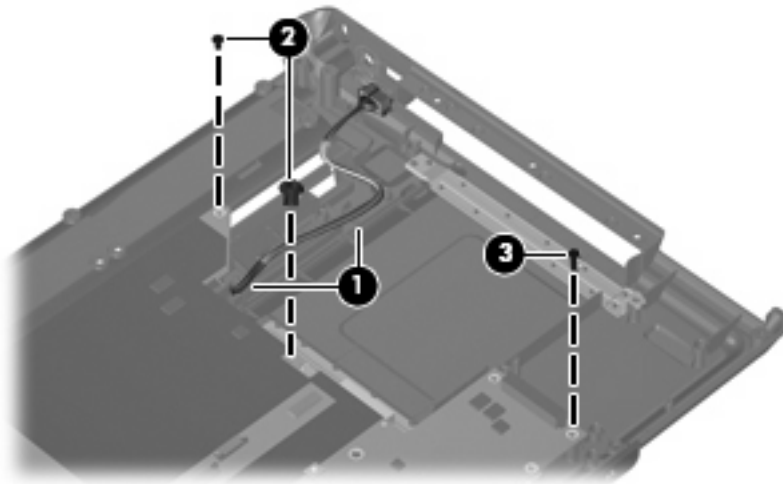
- d. Keyboard (see [Keyboard on page 55](#))
- e. Display assembly (see [Display assembly on page 59](#))
- f. Top cover (see [Top cover on page 65](#))
- g. Audio board (see [Audio board on page 75](#))
- h. USB/power connector board (see [USB/power connector board on page 71](#))

When replacing the system board, be sure that the following components are removed from the defective system board and installed on the replacement system board:

- Memory modules (see [Memory module on page 45](#))
- RTC battery (see [RTC battery on page 47](#))
- WLAN module (see [WLAN module on page 48](#))
- Bluetooth module (see [Bluetooth module on page 68](#))
- ExpressCard assembly (see [ExpressCard assembly on page 69](#))
- Fan/heat sink assembly (see [Fan/heat sink assembly on page 76](#))
- Processor (see [Processor on page 79](#))

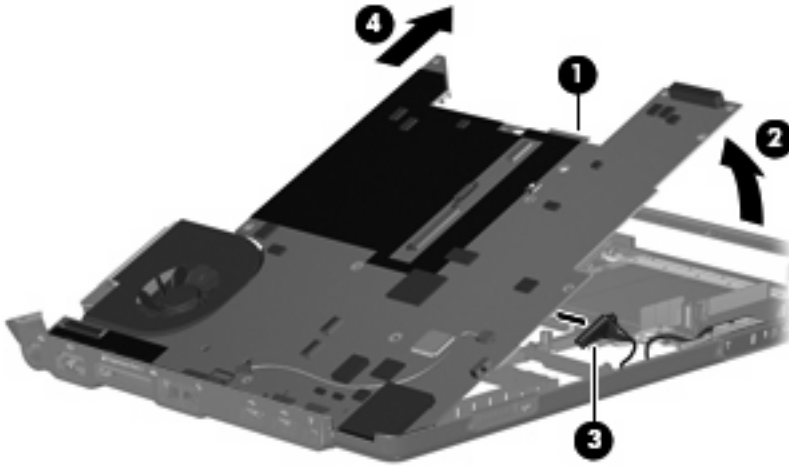
Remove the system board:

1. Remove the USB/power connector board cable **(1)** from the clips built into the base enclosure.
2. Remove the Phillips PM2.5×4.0 screw **(2)** and the Phillips PM2.0×7.0 screw **(3)** that secure the system board to the base enclosure.

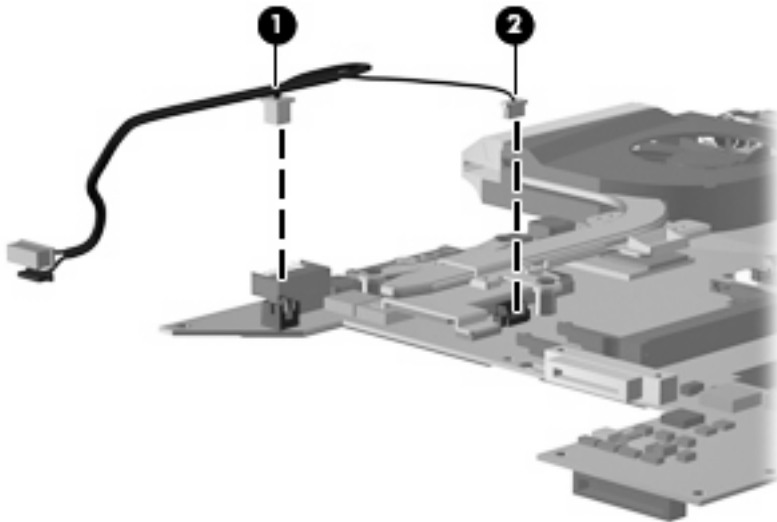


3. Use the optical drive connector **(1)** to lift the right side of the system board **(2)** until it rests at an angle.
4. Disconnect the audio board cable **(3)** from the system board.

5. Release the system board **(4)** by sliding it to the right until the connectors on the left side of the system board disengage from the base enclosure.



6. Remove the system board.
7. If it is necessary to replace the USB/power connector board cable, turn the system board upside down with the front toward you.
8. Disconnect the power connector board cable **(1)** and the USB board cable **(2)** from the system board.



Reverse the above procedure to install the system board and USB/power connector board cable.

Audio board

Description	Spare part number
For use only in computer models with Intel processors:	
<ul style="list-style-type: none">In models that include consumer infrared	449453-001
<ul style="list-style-type: none">In models that do not include consumer infrared lens	431443-001
For use only in computer models with AMD processors:	
<ul style="list-style-type: none">In full-featured models equipped with consumer infrared	454176-001
<ul style="list-style-type: none">In defeatured models equipped with consumer infrared	449967-001

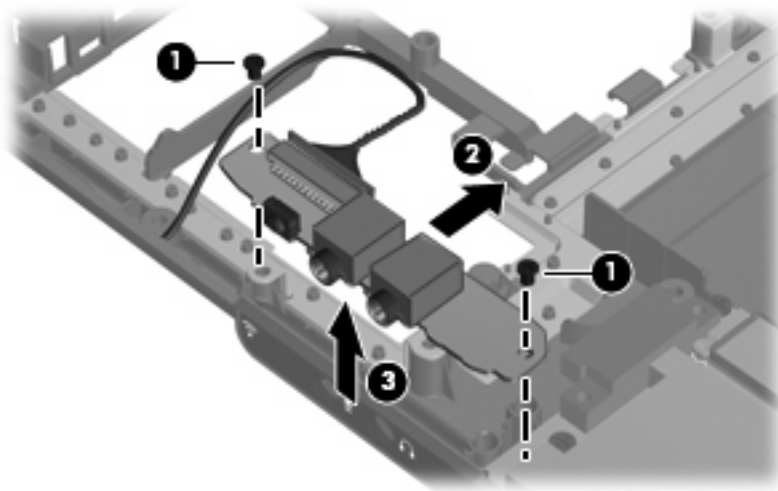
Before removing the audio board, follow these steps:

1. Shut down the computer. If you are unsure whether the computer is off or in Hibernation, turn the computer on, and then shut it down through the operating system.
2. Disconnect all external devices connected to the computer.
3. Disconnect the power from the computer by first unplugging the power cord from the AC outlet and then unplugging the AC adapter from the computer.
4. Remove the battery (see [Battery on page 42](#)).
5. Remove the following components:
 - a. Hard drive (see [Hard drive on page 43](#))
 - b. Optical drive (see [Optical drive on page 51](#))
 - c. Switch cover (see [Switch cover on page 53](#))
 - d. Keyboard (see [Keyboard on page 55](#))
 - e. Display assembly (see [Display assembly on page 59](#))
 - f. Top cover (see [Top cover on page 65](#)).

Remove the audio board:

1. Remove the two Phillips PM2.5×4.0 screws **(1)** that secure the audio board to the computer.
2. Release the audio board **(2)** by sliding it back to disengage the audio connectors from the base enclosure.

3. Remove the audio board **(3)** by lifting it straight up.



Reverse this procedure to install the audio board.

Fan/heat sink assembly

Description	Spare part number
Fan/heat sink assembly for use in computer models with Intel processors (includes thermal material)	446522-001
Fan/heat sink assembly for use in computer models with AMD processors (includes thermal material)	449961-001

NOTE: When replacing the fan/heat sink assembly, be sure that the power button board is removed from the defective fan/heat sink assembly and installed on the replacement fan/heat sink assembly. See [Power button board on page 57](#) for power button board removal information.

NOTE: To properly ventilate the computer, allow at least a 7.6-cm (3-inch) clearance on the right side and rear panel of the computer. The computer uses an electric fan for ventilation. The fan is controlled by a temperature sensor and is designed to turn on automatically when high temperature conditions exist. These conditions are affected by high external temperatures, system power consumption, power management/battery conservation configurations, battery fast charging, and software applications. Exhaust air is displaced through the ventilation grill located on the left side of the computer.


Before removing the fan/heat sink assembly, follow these steps:

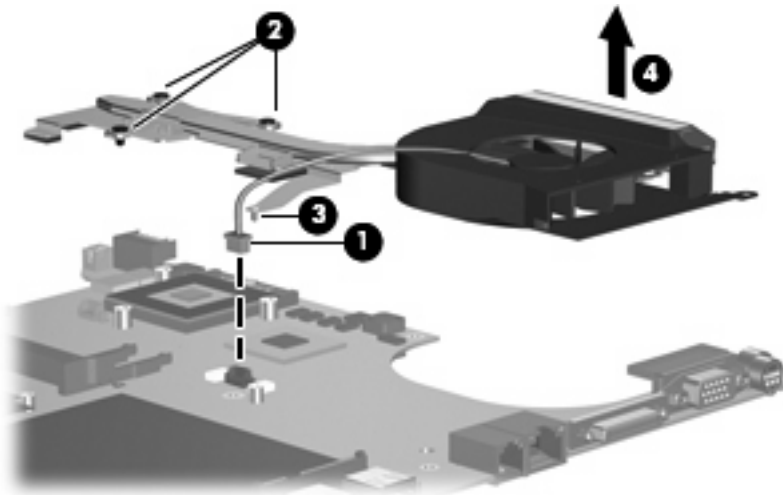
1. Shut down the computer. If you are unsure whether the computer is off or in Hibernation, turn the computer on, and then shut it down through the operating system.
2. Disconnect all external devices connected to the computer.
3. Disconnect the power from the computer by first unplugging the power cord from the AC outlet and then unplugging the AC adapter from the computer.


4. Remove the battery (see [Battery on page 42](#)).
5. Remove the following components:
 - a. Hard drive (see [Hard drive on page 43](#))
 - b. Optical drive (see [Optical drive on page 51](#))
 - c. Switch cover (see [Switch cover on page 53](#))
 - d. Keyboard (see [Keyboard on page 55](#))
 - e. Display assembly (see [Display assembly on page 59](#))
 - f. Top cover (see [Top cover on page 65](#))
 - g. Audio board (see [Audio board on page 75](#))
 - h. USB/power connector board (see [USB/power connector board on page 71](#))
 - i. System board (see [System board on page 72](#))

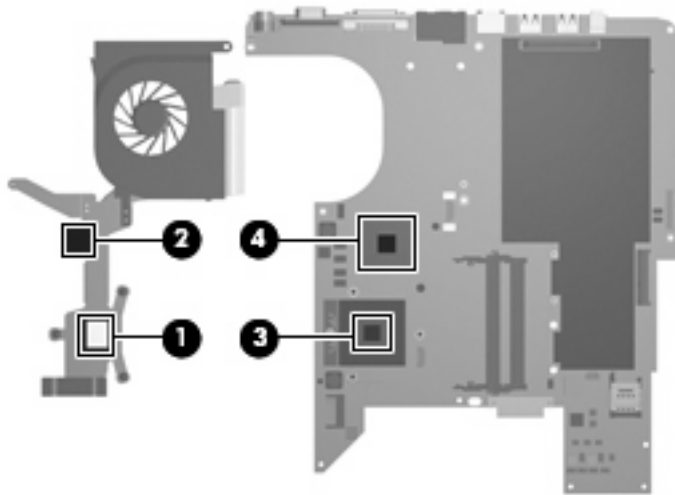
Remove the fan/heat sink assembly:

1. Turn the system board upside down, with the expansion port 3 and external monitor port toward you.
2. Disconnect the fan cable **(1)** from the system board.
3. Loosen the three Phillips PM2.5×5.0 captive screws **(2)** and the Phillips PM2.5×4.0 captive screw **(3)** that secure the fan/heat sink assembly to the system board.
4. Remove the fan/heat sink assembly **(4)**.

 **NOTE:** Due to the adhesive quality of the thermal material located between the fan/heat sink assembly and system board components, it may be necessary to move the fan/heat sink assembly from side to side to detach the assembly.




 **NOTE:** The thermal material must be thoroughly cleaned from the surfaces of the fan/heat sink assembly **(1)** and **(2)**, the processor **(3)**, and the system board component **(4)** each time the fan/heat sink assembly is removed. Thermal material must be installed on all surfaces before the fan/heat sink assembly is reinstalled. Thermal material is included with all fan/heat sink assembly, system board, and processor spare part kits.



Reverse this procedure to install the fan/heat sink assembly.

Processor

 **NOTE:** All processor spare part kits include thermal material.

Description	Spare part number
Intel Core 2 Duo processors:	
2.20-GHz processor (4-MB L2 cache, 800-MHz FSB)	453771-001
2.00-GHz processor (2-MB L2 cache, 800-MHz FSB)	455515-001
1.86-GHz processor (1-MB L2 cache, 533-MHz FSB)	453773-001
1.50-GHz processor (2-MB L2 cache, 667-MHz FSB)	453772-001
Intel Core Duo processors:	
T7300 2.0-GHz processor (4-MB L2 cache)	446478-001
T7100 1.8-GHz processor (2-MB L2 cache)	446479-001
T5250 1.5-GHz processor (2-MB L2 cache)	453033-001
AMD processors:	
Turion MK-38 (2.2-GHz, 512-MB L2 cache)	449904-001
Turion TL-66 (2.3 -GHz, 1-MB L2 cache)	450804-001
Turion TL-60 (2.0 -GHz, 1-MB L2 cache)	450803-001
Turion TL-58 (1.9 -GHz, 1-MB L2 cache)	450802-001
Turion TL-56 (1.8 -GHz, 1-MB L2 cache)	450801-001
Athlon TK-53 (1.7-GHz, 512-MB L2 cache)	451013-001
Processor bracket:	
For use with 7.9 processors	450370-001
For use with 8.1 processors	450371-001


Before removing the processor, follow these steps:

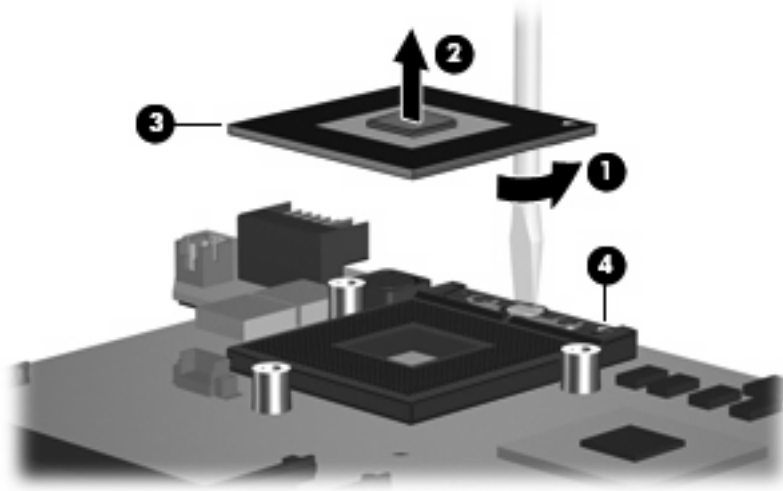
1. Shut down the computer. If you are unsure whether the computer is off or in Hibernation, turn the computer on, and then shut it down through the operating system.
2. Disconnect all external devices connected to the computer.
3. Disconnect the power from the computer by first unplugging the power cord from the AC outlet and then unplugging the AC adapter from the computer.
4. Remove the battery (see [Battery on page 42](#)).
5. Remove the following components:
 - a. Hard drive (see [Hard drive on page 43](#))
 - b. Optical drive (see [Optical drive on page 51](#))
 - c. Switch cover (see [Switch cover on page 53](#))

- d. Keyboard (see [Keyboard on page 55](#))
- e. Display assembly (see [Display assembly on page 59](#))
- f. Top cover (see [Top cover on page 65](#))
- g. Audio board (see [Audio board on page 75](#))
- h. USB/power connector board (see [USB/power connector board on page 71](#))
- i. System board (see [System board on page 72](#))
- j. Fan/heat sink assembly (see [Fan/heat sink assembly on page 76](#))

Remove the processor:

1. Turn the processor locking screw **(1)** one-half turn counterclockwise until you hear a click.
2. Lift the processor **(2)** straight up and remove it.

 **NOTE:** The gold triangle **(3)** on the processor must be aligned with the triangle icon **(4)** embossed on the processor socket when you install the processor.




Reverse this procedure to install the processor.

5 Setup Utility

Starting the Setup Utility

The Setup Utility is a ROM-based information and customization utility that can be used even when your Windows operating system is not working or will not load.

 **NOTE:** The fingerprint reader (select models only) does not work when accessing the Setup Utility.

The utility reports information about the computer and provides settings for startup, security, and other preferences.

To start the Setup Utility:

1. Turn on or restart the computer.
2. Before Windows opens and while “Press <F10> to enter setup” is displayed in the lower-left corner of the screen, press **f10**.

Changing the language of the Setup Utility

The following procedure explains how to change the language of the Setup Utility. If the Setup Utility is not already running, begin at step 1. If the Setup Utility is already running, begin at step 2.

1. To start the Setup Utility, turn on or restart the computer, and then press **f10** while “Press <F10> to enter setup” is displayed in the lower-left corner of the screen.
2. Use the arrow keys to select **System Configuration > Language**, and then press **enter**.
3. Press **f5** or **f6** (or use the arrow keys) to select a language, and then press **enter** to select a language.
4. When a confirmation prompt with your preference selected is displayed, press **enter** to save your preference.
5. To set your preferences and exit the Setup Utility, press **f10** and then follow the instructions on the screen.

Your preferences go into effect when the computer restarts in Windows.

Navigating and selecting in the Setup Utility

Because the Setup Utility is not Windows-based, it does not support the TouchPad. Navigation and selection are by keystroke.

- To choose a menu or a menu item, use the arrow keys.
- To choose an item in a drop-down list or to toggle a field, for example an Enable/Disable field, use either the arrow keys or **f5** or **f6**.
- To select an item, press **enter**.
- To close a text box or return to the menu display, press **esc**.
- To display additional navigation and selection information while the Setup Utility is open, press **f1**.

Displaying system information

The following procedure explains how to display system information in the Setup Utility. If the Setup Utility is not open, begin at step 1. If the Setup Utility is open, begin at step 2.


1. To start the Setup Utility, turn on or restart the computer, and then press **f10** while “Press to enter setup” is displayed in the lower-left corner of the screen.
2. Access the system information by using the **Main** menu.
3. To exit the Setup Utility without changing any settings, use the arrow keys to select **Exit > Exit Discarding Changes**, and then press **enter**. (The computer restarts in Windows.)

Restoring default settings in the Setup Utility

The following procedure explains how to restore the Setup Utility default settings. If the Setup Utility is not already running, begin at step 1. If the Setup Utility is already running, begin at step 2.

1. To start the Setup Utility, turn on or restart the computer, and then press **f10** while “Press to enter setup” is displayed in the lower-left corner of the screen.
2. Select **Exit > Load Setup Defaults**, and then press **enter**.
3. When the Setup Confirmation is displayed, press **enter** to save your preferences.
4. To set your preferences and exit the Setup Utility, press **f10**, and then follow the instructions on the screen.

The Setup Utility default settings are set when you exit the Setup Utility and go into effect when the computer restarts.

 **NOTE:** Your password, security, and language settings are not changed when you restore the factory default settings.

Using advanced Setup Utility features

This chapter describes the Setup Utility features recommended for all users. For more information about the Setup Utility features recommended for advanced users only, refer to Help and Support, which is accessible only when the computer is in Windows.

The Setup Utility features available for advanced users include a hard drive self-test, a Network Service Boot, and settings for boot order preferences.

The “<F12> to boot from LAN” message that is displayed in the lower-left corner of the screen each time the computer is started or restarted in Windows is the prompt for a Network Service Boot.

The “Press <ESC> to change boot order” message that is displayed in the lower-left corner of the screen each time the computer is started or restarted in Windows is the prompt to change the boot order.

Closing the Setup Utility

You can close the Setup Utility with or without saving changes.

- To close the Setup Utility and save your changes from the current session, use either of the following procedures:

- Press **f10**, and then follow the instructions on the screen.

—or—

- If the Setup Utility menus are not visible, press **esc** to return to the menu display. Then use the arrow keys to select **Exit > Exit Saving Changes**, and then press **enter**.

When you use the **f10** procedure, you are offered an option to return to the Setup Utility. When you use the Exit Saving Changes procedure, the Setup Utility closes when you press **enter**.


- To close the Setup Utility without saving your changes from the current session:

If the Setup Utility menus are not visible, press **esc** to return to the menu display. Then use the arrow keys to select **Exit > Exit Discarding Changes**, and then press **enter**.

After the Setup Utility closes, the computer restarts in Windows.

Setup Utility menus

The menu tables in this section provide an overview of Setup Utility options.

 **NOTE:** Some of the Setup Utility menu items listed in this section may not be supported by your computer.

Main menu

Select	To do this
System information	<ul style="list-style-type: none">• View and change the system time and date.• View identification information about the computer.• View specification information about the processor, memory size, system BIOS, and keyboard controller version (select models only).

Security menu

Select	To do this
Administrator password	Enter, change, or delete an administrator password.
Power-On Password	Enter, change, or delete a power-on password.

System Configuration menu

Select	To do this
Language Support	Change the Setup Utility language.
Enhanced SATA support (select models only)	Enable/disable enhanced SATA mode.
Boot Options	Set the following boot options: <ul style="list-style-type: none">• f10 and f12 Delay (sec.)—Set the delay for the f10 and f12 functions of the Setup Utility in intervals of 5 seconds each (0, 5, 10, 15, 20).• CD-ROM boot—Enable/disable boot from CD-ROM.• Floppy boot—Enable/disable boot from Floppy.• Internal Network Adapter boot—Enable/disable boot from Internal Network Adapter.• Boot Order—Set the boot order for:<ul style="list-style-type: none">◦ USB Floppy◦ ATAPI CD/DVD ROM Drive◦ Hard drive◦ USB Diskette on Key◦ USB Hard drive◦ Network adapter

Select	To do this
Button Sound (select models only)	Enable/disable the Quick Launch Button tapping sound.
Video memory up to (select models only)	Select the amount of video memory.

Diagnostics menu

Select	To do this
Hard Disk Self Test	Run a comprehensive self-test on the hard drive. NOTE: On models with two hard drives, this menu option is called the Primary Hard Disk Self Test .
Secondary Hard Disk Self Test (select models only)	Run a comprehensive self-test on a secondary hard drive.

6 Specifications

Computer specifications

	Metric	U.S.
Dimensions		
Height (front to back)	4.09 cm	1.61 in
Width	35.71 cm	14.06 in
Depth	25.71 cm	10.12 in
Weight (with optical drive, hard drive, and battery)	2.86 kg	6.31 lbs
Input power		
Operating voltage	18.5 V dc — 19.0 V dc	
Operating current	3.5 A or 4.74 A	
Temperature		
Operating (not writing to optical disc)	0°C to 35°C	32°F to 95°F
Operating (writing to optical disc)	5°C to 35°C	41°F to 95°F
Nonoperating	-20°C to 60°C	-4°F to 140°F
Relative humidity		
Operating	10% to 90%	
Nonoperating	5% to 95%	
Maximum altitude (unpressurized)		
Operating (14.7 to 10.1 psia)	-15 m to 3,048 m	-50 ft to 10,000 ft
Nonoperating (14.7 to 4.4 psia)	-15 m to 12,192 m	-50 ft to 40,000 ft
Shock		
Operating	125 g, 2 ms, half-sine	
Nonoperating	200 g, 2 ms, half-sine	
Random vibration		
Operating	0.75 g zero-to-peak, 10 Hz to 500 Hz, 0.25 oct/min sweep rate	

	Metric	U.S.
Nonoperating	1.50 g zero-to-peak, 10 Hz to 500 Hz, 0.5 oct/min sweep rate	
NOTE: Applicable product safety standards specify thermal limits for plastic surfaces. The computer operates well within this range of temperatures.		

15.4-inch, WXGA, BrightView display specifications

	Metric	U.S.
Dimensions		
Height	20.7 cm	8.15 in
Width	33.1 cm	13.03 in
Diagonal	39.1 cm	15.39 in
Number of colors	Up to 16.8 million	
Contrast ratio	200:1 (typical)	
Brightness	150 nits (typical)	
Pixel resolution		
Pitch	0.259 × 0.259 mm	
Format	1280 × 800	
Configuration	RGB vertical stripe	
Backlight	Edge lit	
Character display	80 × 25	
Total power consumption	4 W	
Viewing angle	+/-65° horizontal, +/-50° vertical (typical)	

Hard drive specifications

	250-GB*	200-GB*	160-GB*	120-GB*	80-GB*
Dimensions					
Height	9.5 mm	9.5 mm	9.5 mm	9.5 mm	9.5 mm
Width	70 mm	70 mm	70 mm	70 mm	70 mm
Weight	102 g	102 g	102 g	102 g	102 g
Interface type	SATA	SATA	SATA	SATA	SATA
Transfer rate					
Synchronous (maximum)	100 MB/sec	100 MB/sec	100 MB/sec	100 MB/sec	100 MB/sec
Security	ATA security	ATA security	ATA security	ATA security	ATA security
Seek times (typical read, including setting)					
Single track	3 ms	3 ms	3 ms	3 ms	3 ms
Average	13 ms	13 ms	13 ms	13 ms	13 ms
Maximum	24 ms	24 ms	24 ms	24 ms	24 ms
Logical blocks	488,379,125	390,706,000	312,560,480	234,433,260	156,280,320
Disk rotational speed	5400 rpm	4200 rpm	5400 rpm	5400 rpm	5400 rpm
Operating temperature	5°C to 55°C (41°F to 131°F)				
NOTE: Certain restrictions and exclusions apply. Consult technical support for details.					
* 1 GB = 1 billion bytes when referring to hard drive storage capacity. Accessible capacity is less. Actual drive specifications may differ slightly.					

DVD±RW and CD-RW Super Multi Double-Layer Combo Drive specifications

Applicable disc	Read:	Write:
	CD-DA, CD+(E)G, CD-MIDI, CD-TEXT, CD-ROM, CD-ROM XA, MIXED MODE CD, CD-I, CD-I Bridge (Photo-CD, Video CD), Multisession CD (Photo-CD, CD-EXTRA, Portfolio, CD-R, CD-RW), CD-R, CD-RW, DVD-ROM (DVD-5, DVD-9, DVD-10, DVD-18), DVD-R, DVD-RW, DVD+R, DVD+RW, DVD-RAM	CD-R and CD-RW DVD+R, DVD+RW, DVD-R, DVD-RW, DVD-RAM
Center hole diameter	1.5 cm (0.59 in)	
Disc diameter		
Standard disc	12 cm (4.72 in)	
Mini disc	8 cm (3.15 in)	
Disc thickness	1.2 mm (0.047 in)	
Track pitch	0.74 μm	
Access time	CD	DVD
Random	< 175 ms	< 230 ms
Full stroke	< 285 ms	< 335 ms
Audio output level	Audio-out, 0.7 Vrms	
Cache buffer	2 MB	
Data transfer rate		
24X CD-ROM	3,600 KB/sec	
8X DVD	10,800 KB/sec	
24X CD-R	3,600 KB/sec	
16X CD-RW	2,400 KB/sec	
8X DVD+R	10,800 KB/sec	
4X DVD+RW	5,400 KB/sec	
8X DVD-R	10,800 KB/sec	
4X DVD-RW	5,400 KB/sec	
2.4X DVD+R(9)	2,700 KB/sec	
5X DVD-RAM	6,750 KB/sec	
Transfer mode	Multiword DMA Mode	
Startup time	< 15 seconds	
Stop time	< 6 seconds	

System DMA specifications, Intel

Hardware DMA	System function
DMA0	Not applicable
DMA1*	Not applicable
DMA2*	Not applicable
DMA3	Not applicable
DMA4	Direct memory access controller
DMA5*	Available for PC Card
DMA6	Not assigned
DMA7	Not assigned

*PC Card controller can use DMA 1, 2, or 5.

System DMA specifications, AMD

Hardware DMA	System function
DMA4	Direct memory access controller

System interrupt specifications, Intel

Hardware IRQ	System function
IRQ0	System timer
IRQ1	Standard 101-/102-Key or Microsoft® Natural Keyboard
IRQ2	Cascaded
IRQ3	Intel 82801DB/DBM USB2 Enhanced Host Controller—24CD
IRQ4	COM1
IRQ5*	Conexant AC—Link Audio Intel 82801DB/DBM SMBus Controller—24C3 Data Fax Modem with SmartCP
IRQ6	Diskette drive
IRQ7*	Parallel port
IRQ8	System CMOS/real-time clock
IRQ9*	Microsoft ACPI-compliant system
IRQ10*	Intel USB UHCI controller—24C2 Intel 82852/82855 GM/GME Graphic Controller Realtek RTL8139 Family PCI Fast Ethernet Controller
IRQ11	Intel USB EHCI controller—24CD Intel USB UHCI controller—24C4 Intel USB UHCI controller—24C7 Intel Pro/Wireless 2200BG TI OHCI 1394 host controller TI PCI1410 CardBus controller
IRQ12	Synaptics PS/2 TouchPad
IRQ13	Numeric data processor
IRQ14	Primary IDE channel
IRQ15	Secondary IDE channel

*Default configurations are IRQ5, IRQ7, IRQ9, IRQ10, or none.

NOTE: PC Cards may assert IRQ3, IRQ4, IRQ5, IRQ7, IRQ9, IRQ10, IRQ11, or IRQ15. Either the infrared or the serial port may assert IRQ3 or IRQ4.

System interrupt specifications, AMD

Hardware	IRQ System function
IRQ0	High precision event timer
IRQ1	Standard 101-/102-Key or Microsoft® Natural PS/2 Keyboard
IRQ5	RICOH OHCI Compliant IEEE 1394 Host Controller
IRQ7	Ricoh Memory Stick Controller Ricoh SD/MMC Host Controller Ricoh XD-Picture Card Controller SDA Standard Compliant SD Host Controller
IRQ8	High precision event timer
IRQ10	nVidia nForce PCI System Management
IRQ11	nVidia nForce System Management Controller
IRQ12	Synaptics PS/2 Port TouchPad
IRQ13	Numeric data processor
IRQ14	ATA Channel 0
IRQ15	ATA Channel 1
IRQ16	nVidia MCP67M
IRQ18	Standard OpenHCD USB Host Controller Standard OpenHCD USB Host Controller
IRQ19	Broadcom WLAN adapter
IRQ21	HDA Controller
IRQ22	Standard Enhanced PCI to USB Host Controller Standard Enhanced PCI to USB Host Controller
IRQ23	Standard Dual Channel PCI IDE Controller

System I/O address specifications, Intel

I/O address (hex)	System function (shipping configuration)
000 - 00F	DMA controller no. 1
010 - 01F	Unused
020 - 021	Interrupt controller no. 1
022 - 024	Opti chipset configuration registers
025 - 03F	Unused
02E - 02F	87334 "Super I/O" configuration for CPU
040 - 05F	Counter/timer registers
044 - 05F	Unused
060	Keyboard controller
061	Port B
062 - 063	Unused
064	Keyboard controller
065 - 06F	Unused
070 - 071	NMI enable/RTC
072 - 07F	Unused
080 - 08F	DMA page registers
090 - 091	Unused
092	Port A
093 - 09F	Unused
0A0 - 0A1	Interrupt controller no. 2
I/O Address (hex)	System Function (shipping configuration)
0A2 - 0BF	Unused
0C0 - 0DF	DMA controller no. 2
0E0 - 0EF	Unused
0F0 - 0F1	Coprocessor busy clear/reset
0F2 - 0FF	Unused
100 - 16F	Unused
170 - 177	Secondary fixed disk controller
178 - 1EF	Unused
1F0 - 1F7	Primary fixed disk controller
1F8 - 200	Unused
201	JoyStick (decoded in ESS1688)
202 - 21F	Unused

I/O address (hex)	System function (shipping configuration)
220 - 22F	Entertainment audio
230 - 26D	Unused
26E - 26	Unused
278 - 27F	Unused
280 - 2AB	Unused
2A0 - 2A7	Unused
2A8 - 2E7	Unused
2E8 - 2EF	Reserved serial port
2F0 - 2F7	Unused
2F8 - 2FF	Infrared port
300 - 31F	Unused
320 - 36F	Unused
370 - 377	Secondary diskette drive controller
378 - 37F	Parallel port (LPT1/default)
380 - 387	Unused
388 - 38B	FM synthesizer—OPL3
38C - 3AF	Unused
3B0 - 3BB	VGA
3BC - 3BF	Reserved (parallel port/no EPP support)
3C0 - 3DF	VGA
3E0 - 3E1	PC Card controller in CPU
3E2 - 3E3	Unused
3E8 - 3EF	Internal modem
3F0 - 3F7	"A" diskette controller
3F8 - 3FF	Serial port (COM1/default)
CF8 - CFB	PCI configuration index register (PCIDIVO-1)
CFC - CFF	PCI configuration data register (PCIDIVO-1)

System I/O address specifications, AMD

I/O address (hex)	System function (shipping configuration)
0000 - 0008	DMA controller
000A - 000F	DMA controller
0020 - 0021	Programmable interrupt controller
0040 - 0043	System timer
0060 - 0060	Standard 101-/102-Key or Microsoft® Natural PS/2 Keyboard
0061 - 0061	System speaker
0062 - 0062	Microsoft ACPI-Compliant Embedded Controller
0064 - 0064	Standard 101-/102-Key or Microsoft® Natural PS/2 Keyboard
0066 - 0066	Microsoft ACPI-Compliant Embedded Controller
0070 - 0071	System CMOS/real time clock
0081 - 0083	DMA controller
0087 - 0087	DMA controller
0089 - 008B	DMA controller
008F - 008F	DMA controller
00A0 - 00A1	Programmable interrupt controller
00C0 - 00D1	DMA controller
00D4 - 00DF	DMA controller
00F0 - 00F1	Numeric data processor
0170 - 0177	ATA Channel 1
01F0 - 01F7	ATA Channel 0
0376 - 0376	ATA Channel 1
03B0 - 03BB	nVidia MCP67M
03C0 - 03DF	nVidia MCP67M
03F6 - 03F6	ATA Channel 0
3000 - 303F	nVidia nForce PCI System Management
3040 - 307F	nVidia nForce PCI System Management
3080 - 30BF	nVidia nForce PCI System Management
30C0 - 30CF	Standard Dual Channel PCI IDE Controller
30D0 - 30DF	Standard Dual Channel PCI IDE Controller
30E0 - 30E3	Standard Dual Channel PCI IDE Controller
30E8 - 30EB	Standard Dual Channel PCI IDE Controller
30EC - 30EF	Standard Dual Channel PCI IDE Controller

I/O address (hex)	System function (shipping configuration)
30F0 - 30F7	Standard Dual Channel PCI IDE Controller
4000 - 4FFF	PCI standard PCI-to-PCI bridge

System memory map specifications, Intel

Size	Memory address	System function
640 KB	00000000-0009FFFF	Base memory
128 KB	000A0000-000BFFFF	Video memory
48 KB	000C0000-000CBFFF	Video BIOS
160 KB	000C8000-000E7FFF	Unused
64 KB	000E8000-000FFFFF	System BIOS
15 MB	00100000-00FFFFFF	Extended memory
58 MB	04800000-07FFFFFF	Super extended memory
58 MB	04800000-07FFFFFF	Unused
2 MB	08000000-080FFFFF	Video memory (direct access)
4 GB	08200000-FFFEFFFF	Unused
64 KB	FFFF0000-FFFFFFFF	System BIOS

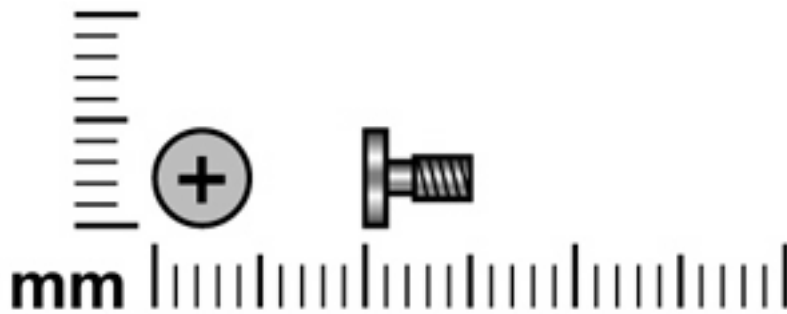
System memory map specifications, AMD

Size	Memory address	System function
128 KB	000A0000-000BFFFF	nVidia MCP67M
16 KB	B0000000-B0003FFF	HDA Controller
8 KB	B0004000-B0005FFF	Standard Dual Channel PCI IDE Controller
4 KB	B0006000-B0006FFF	Standard OpenHCD USB Host Controller
256 B	B0007000-B00070FF	Standard Enhanced PCI to USB Host Controller
256 B	B0007400-B00074FF	Standard Enhanced PCI to USB Host Controller
16 B	B0007800-B000780F	nVidia nForce Networking Controller
256 B	B0007C00-B0007CFF	nVidia nForce Networking Controller
4 KB	B0008000-B0008FFF	Standard OpenHCD USB Host Controller
4 KB	B0009000-B0009FFF	nVidia nForce Networking Controller
512 KB	B0080000-B00FFFFFF	nVidia nForce System Management Controller
16 MB	B1000000-B1FFFFFF	nVidia MCP67M
16 MB	B2000000-B2FFFFFF	nVidia MCP67M
2 KB	B3000000-B30007FF	RICOH OHCI Compliant IEEE 1394 Host Controller
256 B	B3000800-B30008FF	SDA Standard Compliant SD Host Controller
256 B	B3000C00-B3000CFF	Ricoh SD/MMC Host Controller
256 B	B3001000-B30010FF	Ricoh Memory Stick Controller
256 B	B3001400-B30014FF	Ricoh XD-Picture Card Controller
16 KB	B6000000-B6003FFF	Broadcom WLAN adapter
256 KB	C0000000-CFFFFFFF	nVidia MCP67M
1 KB	FED00000-FED003FF	High precision event timer

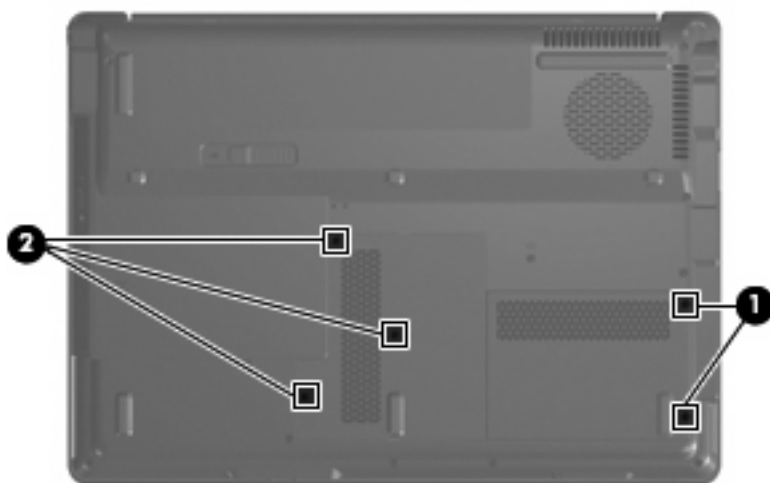
7 Screw listing

This section provides specification and reference information for the screws and screw locks used in the computer. All screws and screw locks listed in this section are available in the Screw Kit, spare part number 434893-001, and the Display Screw Kit, spare part number 431400-001.

Phillips PM2.0×5.0 captive screw



Color	Quantity	Length	Thread	Head width
Black	5	5.0 mm	2.0 mm	5.0 mm

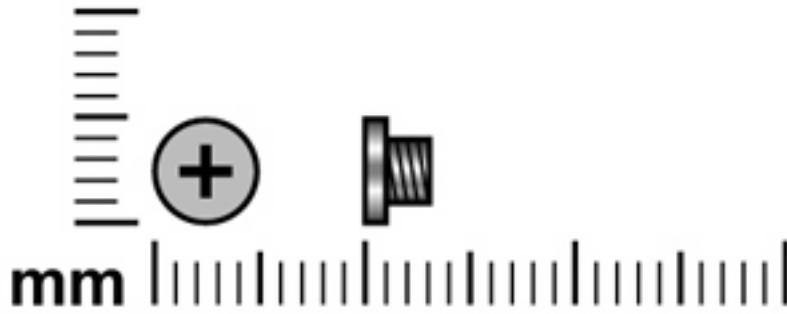


Where used:

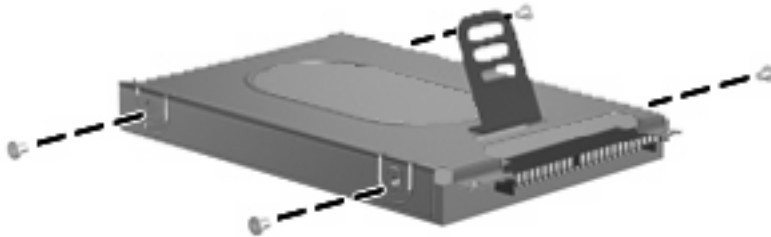
(1) Two captive screws (secured by C-clips) that secure the hard drive cover to the computer

(2) Three captive screws (secured by C-clips) that secure the memory/WLAN module compartment cover to the computer

Phillips PM3.0×3.0 screw

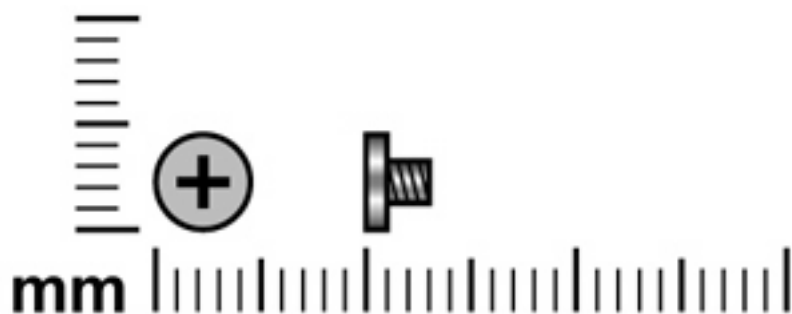


Color	Quantity	Length	Thread	Head width
Silver	4	3.0 mm	3.0 mm	5.0 mm

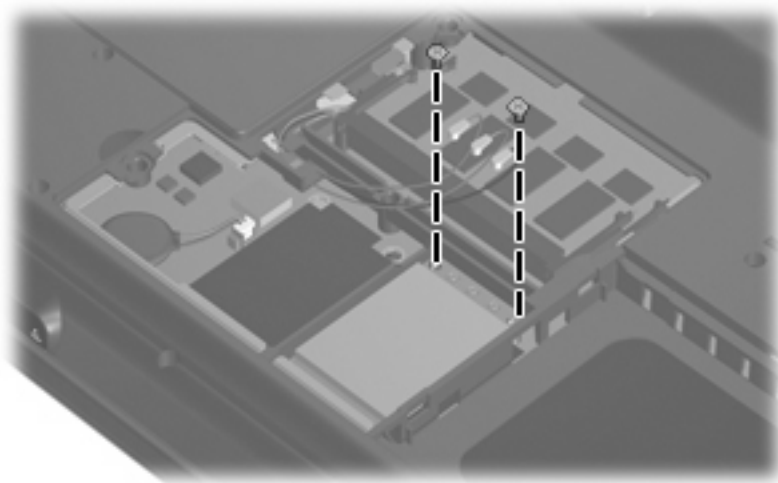


Where used: 4 screws that secure the hard drive bracket to the hard drive

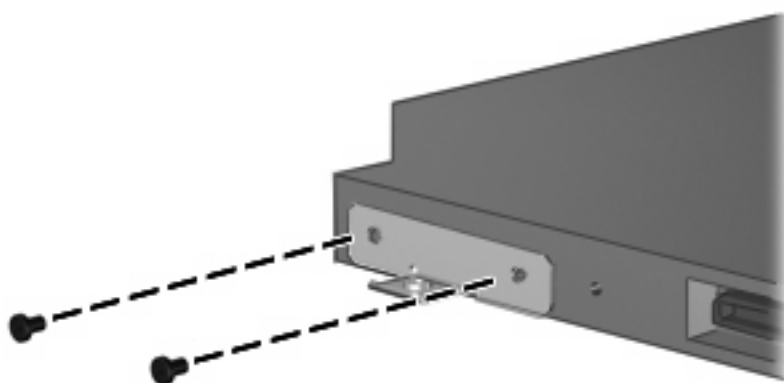
Phillips PM2.0×3.0 screw



Color	Quantity	Length	Thread	Head width
Silver	10	3.0 mm	2.0 mm	4.5 mm



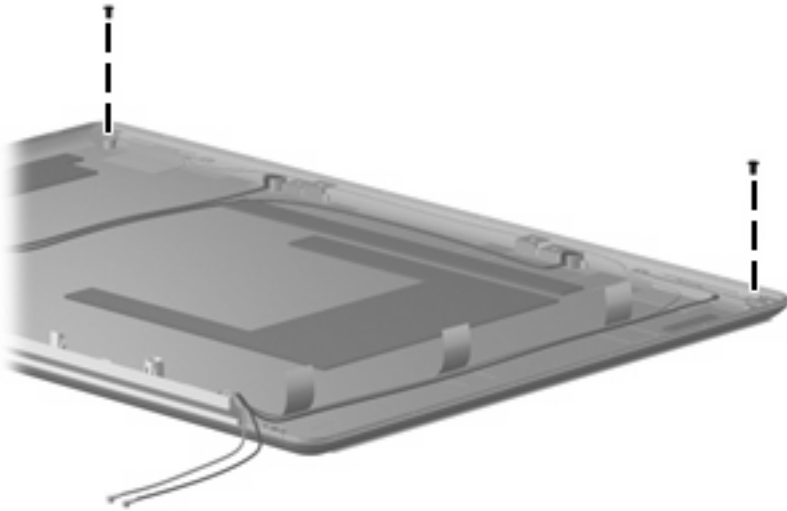
Where used: 2 screws that secure the WLAN module to the system board



Where used: 2 screws that secure the optical drive bracket to the optical drive

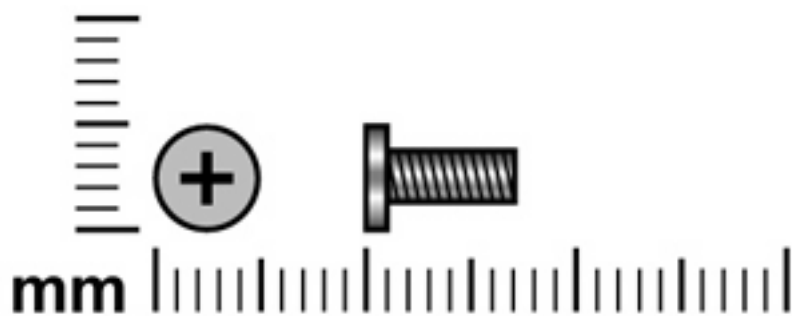


Where used: 2 screws that secure the wireless antenna transceivers to the display enclosure

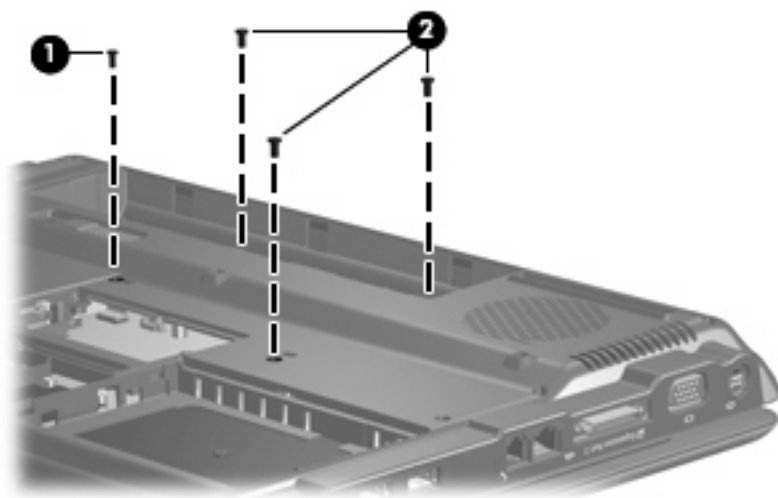


Where used: 4 screws that secure the display hinges to the display panel

Phillips PM2.5×7.0 screw



Color	Quantity	Length	Thread	Head width
Black	27	7.0 mm	2.5 mm	5.0 mm

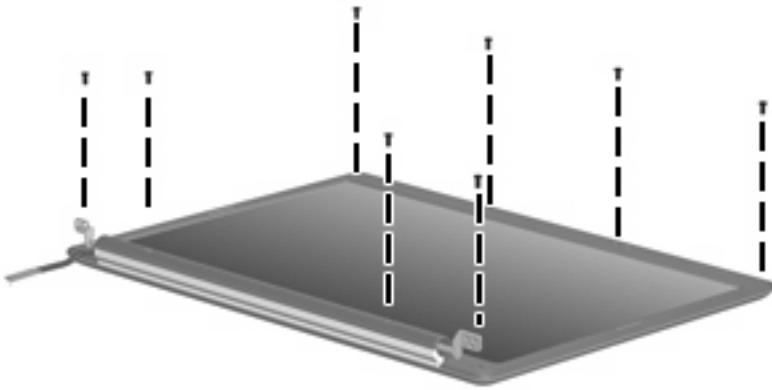


Where used:

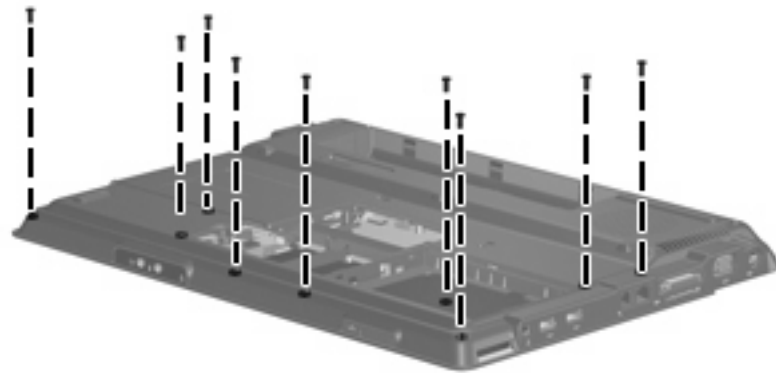
- (1) One screw that secures the optical drive to the computer
- (2) Three screws that secure the keyboard to the computer



Where used: 4 screws that secure the display assembly to the computer



Where used: 8 screws that secure the display bezel to the display assembly

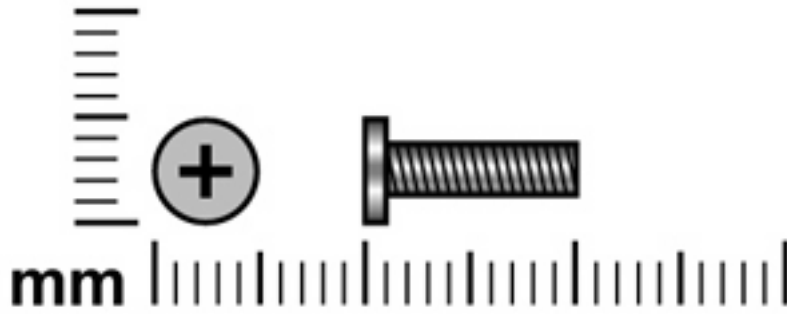


Where used: 9 screws that secure the top cover to the computer

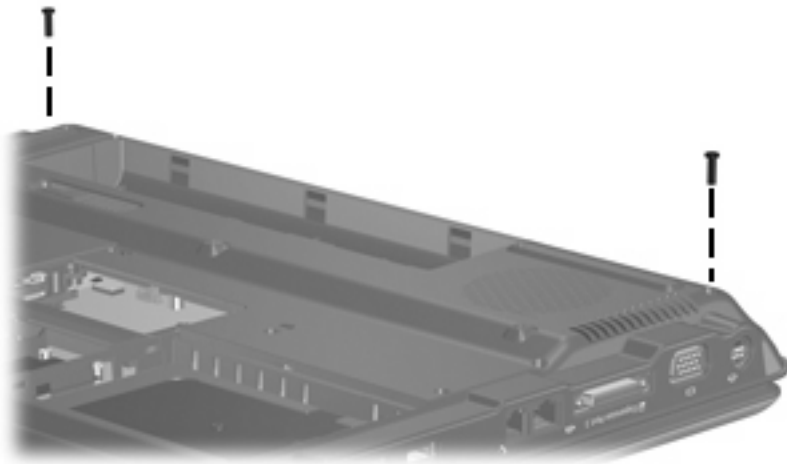


Where used: 2 screws that secure the top cover to the computer

Phillips PM2.5×10.0 screw

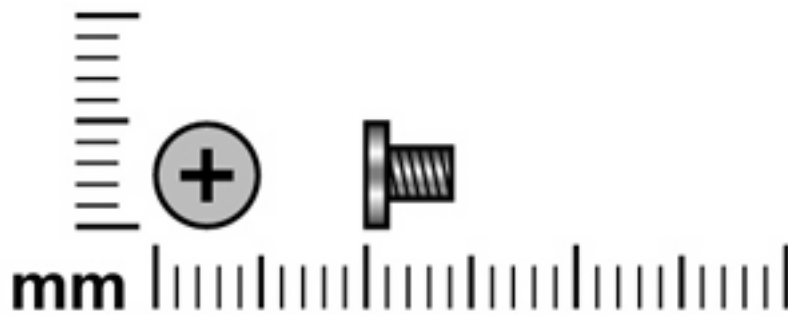


Color	Quantity	Length	Thread	Head width
Black	2	10.0 mm	2.5 mm	5.0 mm

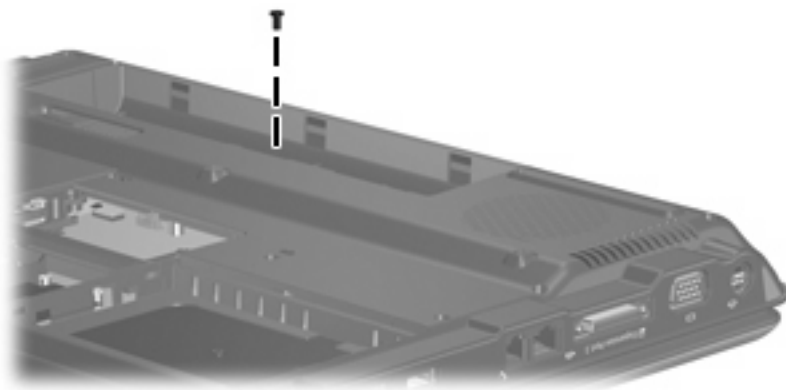


Where used: 2 screws that secure the switch cover to the computer

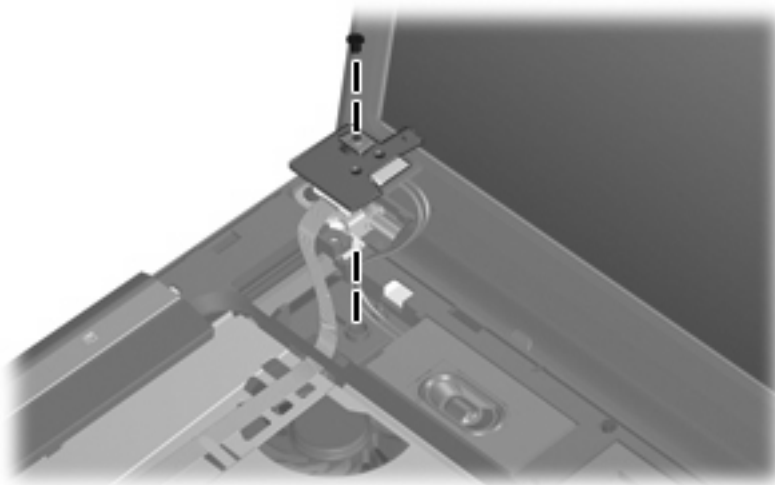
Phillips PM2.5×4.0 screw



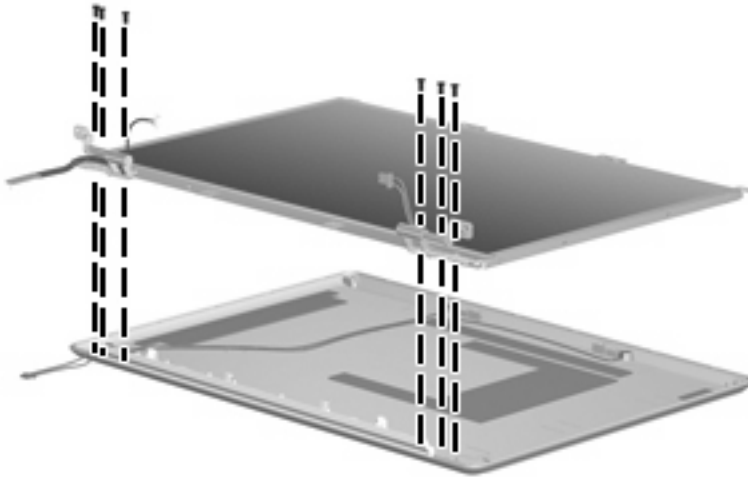
Color	Quantity	Length	Thread	Head width
Black	25	4.0 mm	2.5 mm	5.0 mm



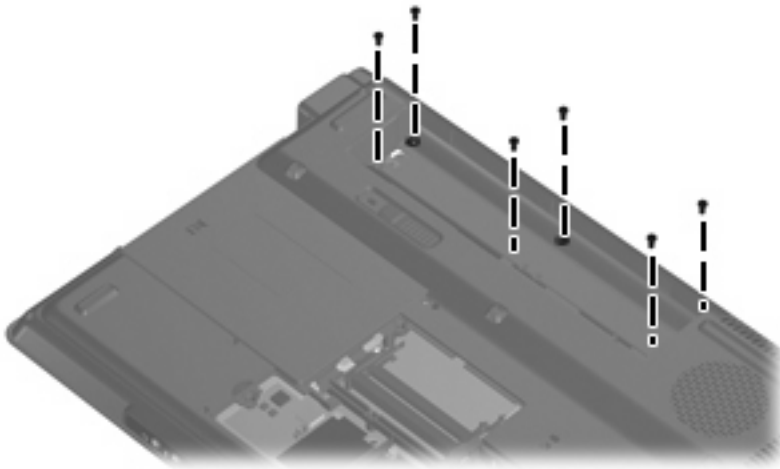
Where used: One screw that secures the switch cover to the computer



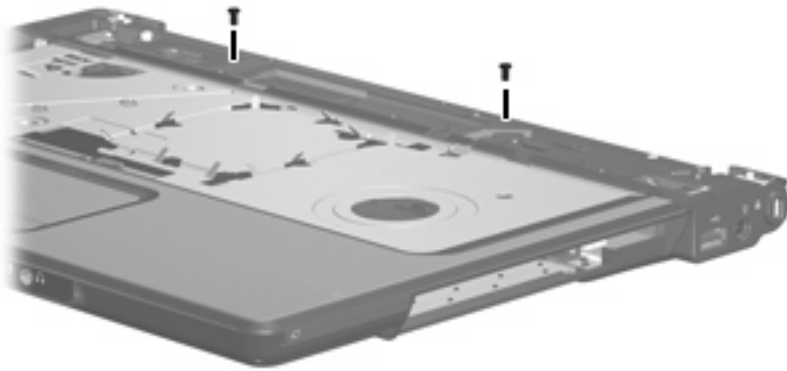
Where used: One screw that secures the power button board to the fan/heat sink assembly



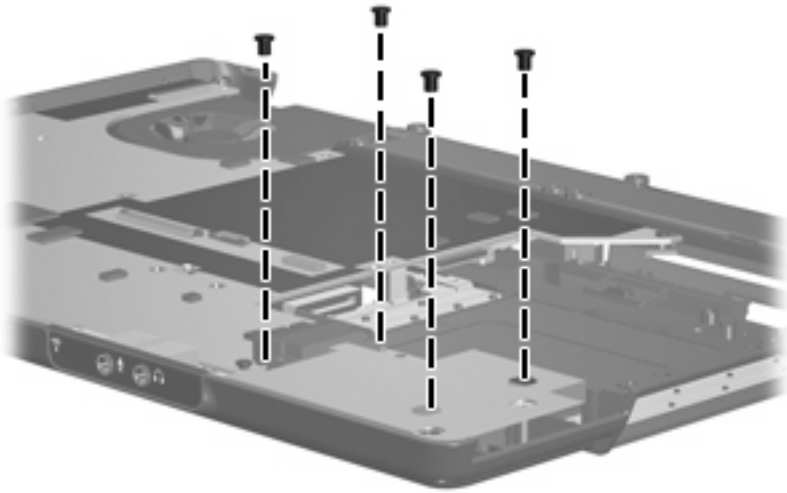
Where used: 6 screws that secure the display panel to the display enclosure



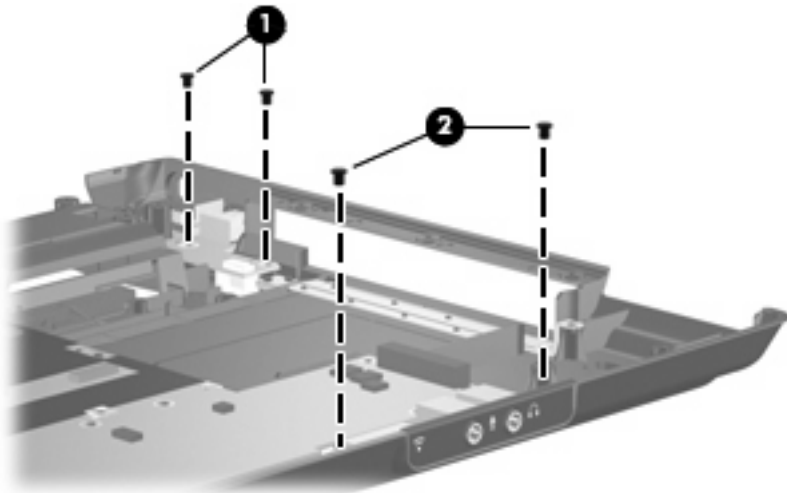
Where used: 6 screws that secure the top cover to the computer



Where used: 2 screws that secure the top cover to the computer

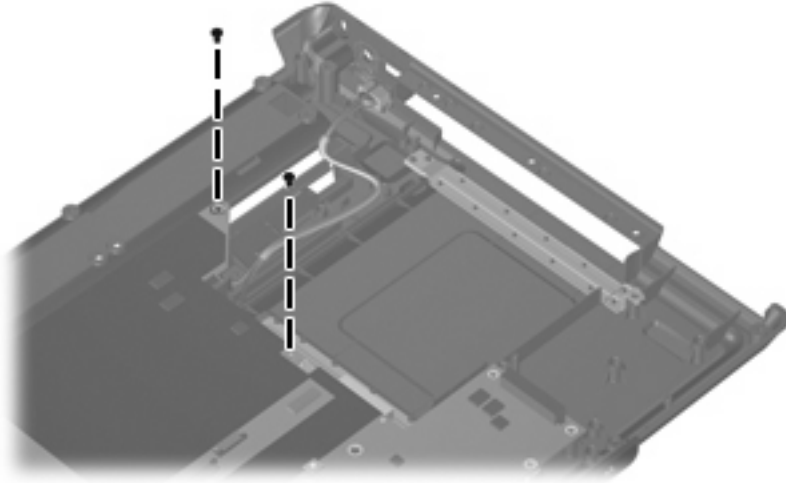


Where used: 4 screws that secure the ExpressCard assembly to the computer



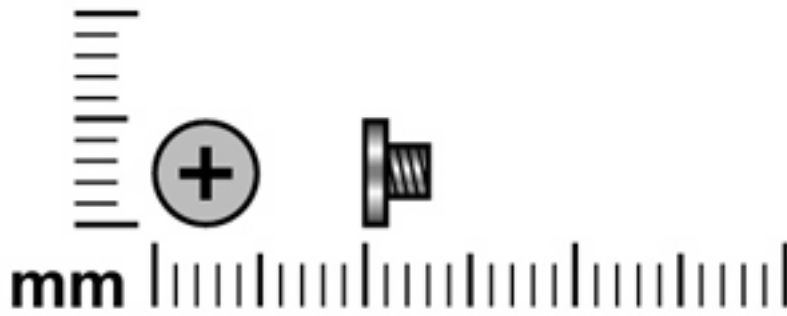
Where used:

- (1) Two screws that secure the USB/power connector board to the computer
- (2) Two screws that secure the audio board to the computer

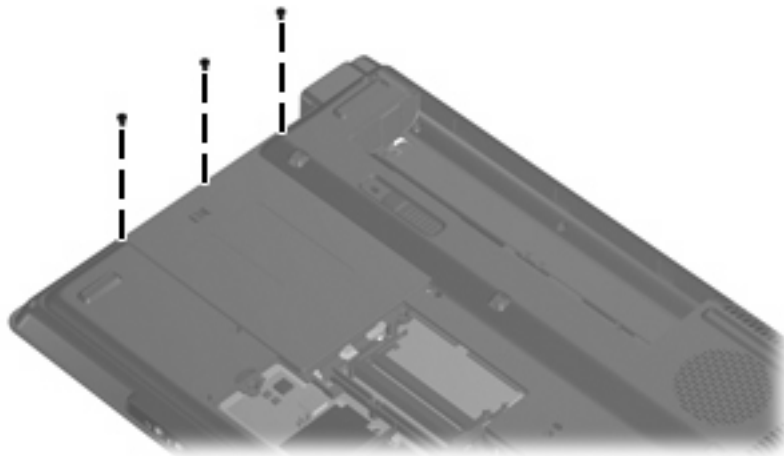


Where used: 2 screws that secure the system board to the computer

Phillips PM2.5×3.0 screw

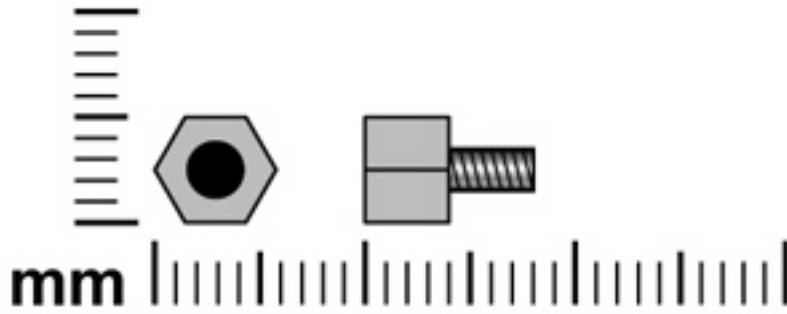


Color	Quantity	Length	Thread	Head width
Black	3	3.0 mm	2.5 mm	4.5 mm

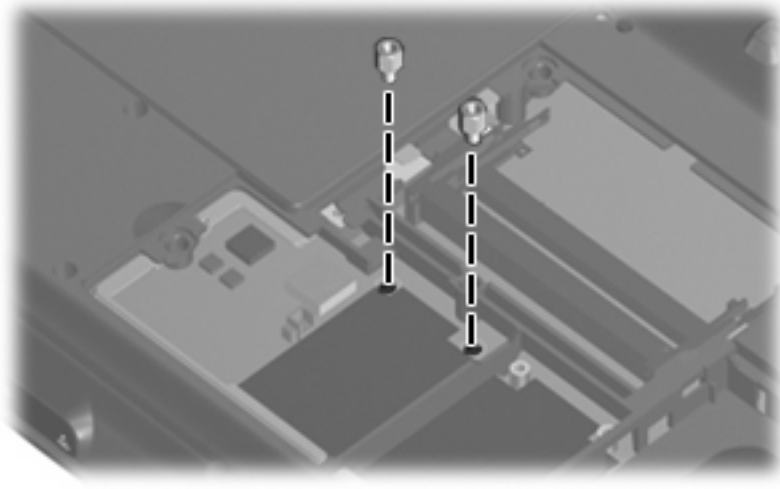


Where used: 3 screws that secure the top cover to the computer

Hex HM5.0×9.0 standoff

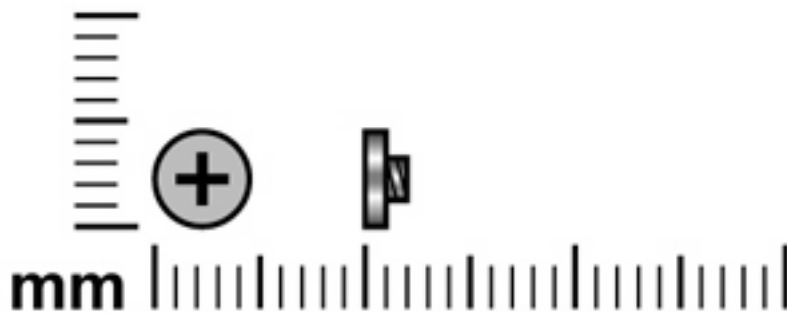


Color	Quantity	Length	Thread	Head width
Silver	2	8.0 mm	2.5 mm	5.0 mm

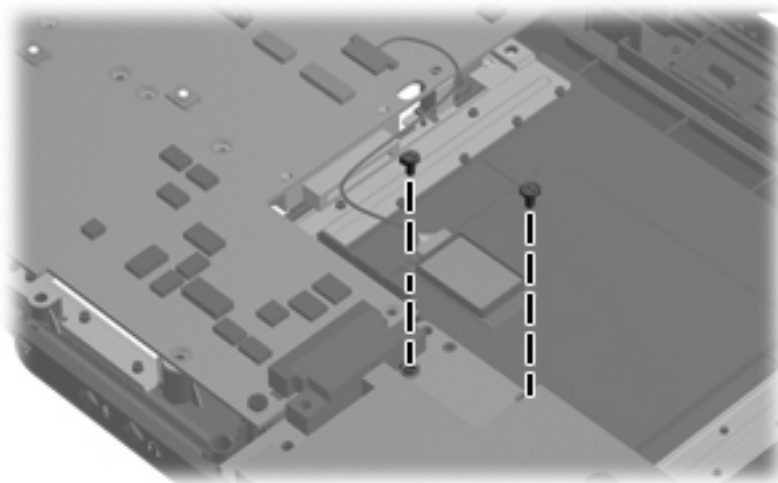


Where used: 2 standoffs that secure the top cover to the computer

Phillips PM2.0×2.0 screw

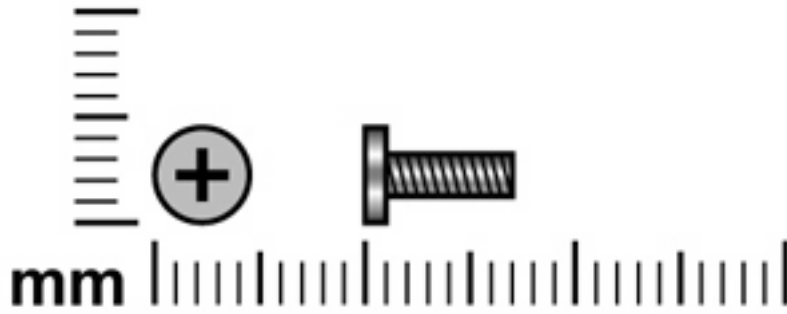


Color	Quantity	Length	Thread	Head width
Silver	2	2.0 mm	2.0 mm	4.0 mm

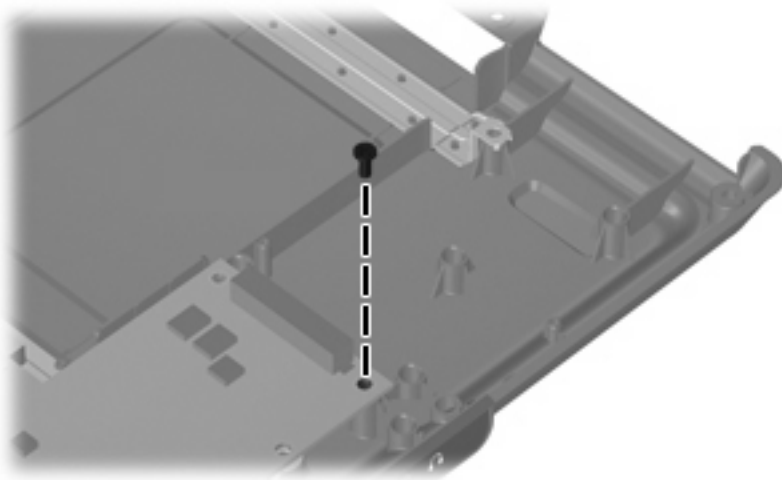


Where used: 2 screws that secure the Bluetooth module to the system board

Phillips PM2.0×7.0 screw

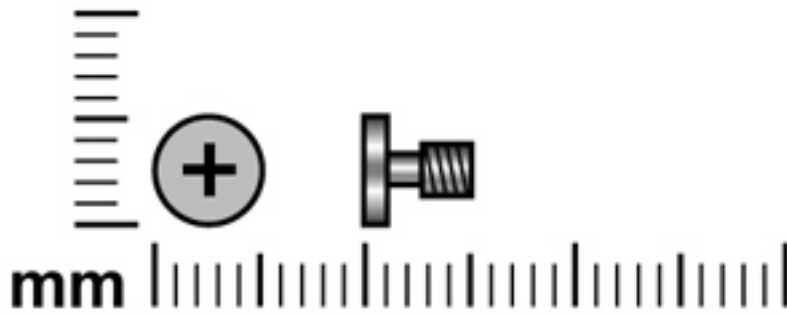


Color	Quantity	Length	Thread	Head width
Silver	1	7.0 mm	2.0 mm	5.0 mm

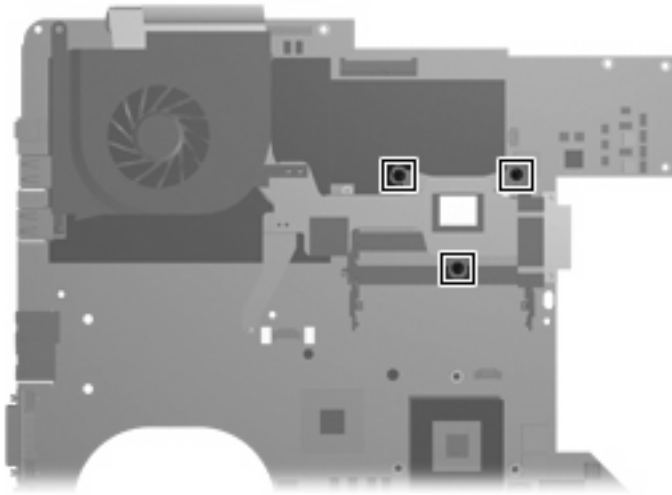


Where used: One screw that secures the system board to the base enclosure

Phillips PM2.5×5.0 captive screw

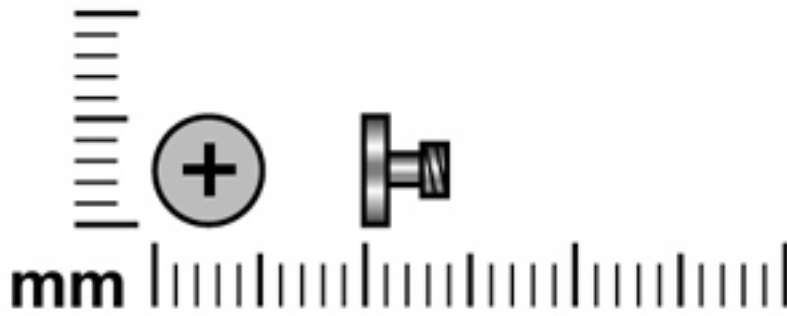


Color	Quantity	Length	Thread	Head width
Black	3	5.0 mm	2.5 mm	5.0 mm

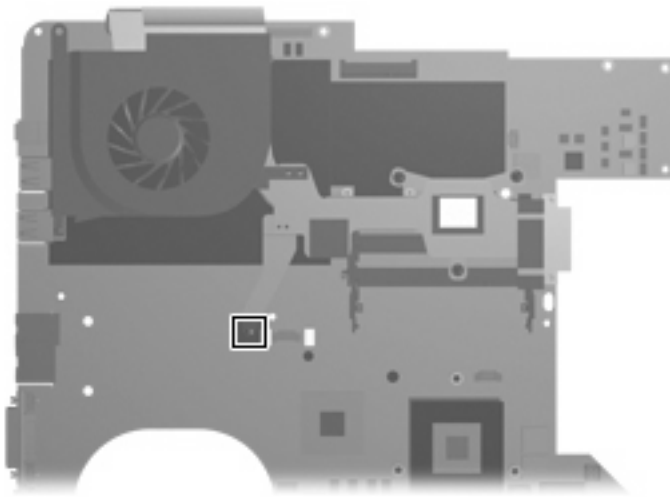


Where used: 3 captive screws (secured by C-clips) that secure the fan/heat sink assembly to the computer

Phillips 2.5×4.0 captive screw



Color	Quantity	Length	Thread	Head width
Silver	1	4.0 mm	2.5 mm	5.0 mm



Where used: One captive screw (secured by a C-clip) that secures the fan/heat sink to the computer

8 Backup and Recovery

Recovering system information

Tools provided by the operating system and Recovery Manager software are designed to help you with the following tasks for safeguarding your information and restoring it in case of a system failure:

- Back up your information regularly to protect your important system files.
- Make a set of recovery discs (Recovery Manager software feature). Recovery discs are used to start up (boot) your computer and restore the operating system and software programs to factory settings in case of system failure or instability.
- Create system restore points (operating system feature). System restore points allow you to reverse undesirable changes to your computer by restoring the computer to an earlier state.
- Recover a program or driver (Recovery Manager software feature). This feature helps you reinstall a program or driver without performing a full system recovery.
- Perform a full system recovery (Recovery Manager software feature). With Recovery Manager, you can recover your full factory image if you experience system failure or instability. Recovery Manager works from a dedicated recovery partition on the hard drive or from recovery discs you create.

Backing up your information

When to back up

- On a regularly scheduled basis.

 **NOTE:** Set reminders to back up your information periodically.

- Before the computer is repaired or restored.
- Before you add or modify hardware or software.

Back up suggestions

- Create system restore points using the Windows System Restore feature.
- Store personal files in the Documents folder and back up these folders periodically.
- Back up templates stored in their associated programs.
- Save customized settings in a window, toolbar, or menu bar by taking a screen shot of your settings.


The screen shot can be a time saver if you have to reset your preferences.

To copy the screen and paste it into a word-processing document:

- a. Display the screen.
- b. Copy the screen:
 - To copy only the active window, press **alt+fn+prt sc**.
 - To copy the entire screen, press **fn+prt sc**.
- c. Open a word-processing document, and then select **Edit > Paste**.

Using system restore points


When you back up your system, you are creating a system restore point. A system restore point allows you to save and name a snapshot of your hard drive at a specific point in time. You can then recover back to that point if you want to reverse subsequent changes made to your system.

 **NOTE:** Recovering to an earlier restore point does not affect data files saved or e-mails created since the last restore point.

You also can create additional restore points to provide increased protection for your system files and settings.

When to create restore points

- Before you add or extensively modify software or hardware.
- Periodically, whenever the system is performing optimally.

 **NOTE:** If you revert to a restore point and then change your mind, you can reverse the restoration.

Create a system restore point

1. Select **Start > Control Panel > System and Maintenance > System**.
2. In the left pane, click **System protection**.
3. Click the **System Protection** tab.
4. Under Automatic restore points, select the disk for which you want to create a restore point.
5. Click **Create**.

The System Protection window opens.
6. Follow the on-screen instructions.

Restore to a previous date and time

To revert to a restore point (created at a previous date and time), when the computer was functioning optimally, follow these steps:


1. Select **Start > Control Panel > System and Maintenance > System**.
2. In the left pane, click **System protection**.
3. Click the **System Protection** tab.
4. Click the **System Restore** button, and then click **Next**.

The System Restore window opens.

5. Follow the on-screen instructions.


Creating recovery discs

Recovery Manager creates a set of recovery CDs or DVDs for the computer. Use recovery discs to restore the operating system and software programs to factory settings, in case of system failure or instability.

 **NOTE:** Handle these discs carefully and keep them in a safe place. The software allows the creation of only one set of recovery discs.

Note the following guidelines before creating recovery discs:

- You will need high quality CD-R, DVD-R, or DVD+R discs (purchased separately).

 **NOTE:** Formatted DVD±RW discs and DVD±RW double-layer discs are not compatible with the Recovery Manager software.


- The computer must be connected to AC power during this process.
- Only one set of recovery discs can be created per computer.
- Number each disc before inserting it into the computer optical drive.
- If necessary, you can exit the program before you have finished creating the recovery discs. The next time you open Recovery Manager, you will be prompted to continue the disc creation process.

To create a set of recovery discs:

1. Select **Start > All Programs > Recovery Manager > Recovery Manager**.

Recovery Manager opens.


2. Click **Advanced Options**.

 **NOTE:** If you are operating the computer on battery power, you will be prompted to connect to AC power before you can go to the next step.

3. Click **Recovery disc creation**, and then click **Next**.
4. Follow the on-screen instructions.

Reinstalling software programs and drivers

If a program or driver preinstalled at the factory is accidentally erased or is damaged, Recovery Manager allows you to reinstall it.

 **NOTE:** Software not provided with this computer must be reinstalled from the disc provided by the manufacturer or downloaded from the manufacturer's Web site.


NOTE: Before reinstalling the program, be sure it is fully uninstalled.

Recovery Manager replaces corrupted system files and reinstalls deleted system files within the program.

- In most cases, if the program you are reinstalling is still on your computer, the reinstallation process does not affect your personal settings.
- In all cases, if a program has been deleted from your computer, the reinstallation process reinstalls the program or utility to the factory image but cannot restore your personal settings.

Reinstalling preinstalled programs and drivers

1. Remove the program or driver:

 **NOTE:** In some cases, drivers are not listed in the Programs and Features list. If the driver is not listed, it does not need to be removed.


- a. Select **Start > Control Panel > Programs > Uninstall a program**.
 - b. Right-click the program or driver you want to remove, and then click **Uninstall**.
2. Reinstall the program or driver:
 - a. Select **Start > All Programs > Recovery Manager > Recovery Manager**.
Recovery Manager opens.
 - b. Click **Advanced Options**.
 - c. Click either **Software program re-installation** or **Hardware driver re-installation**, and then click **Next**.
 - d. Follow the on-screen instructions.
 - e. Restart the computer if prompted.

Reinstalling programs from discs

1. Insert the disc into the optical drive.
2. When the installation wizard opens, follow the installation instructions on the screen.
3. Restart the computer if prompted.

Performing a recovery

Recovery Manager software allows you to repair or restore the system if you experience system failure or instability. Recovery Manager works from recovery discs that you create or from a dedicated recovery partition on the hard drive.

 **NOTE:** Windows has its own built-in repair features, such as System Restore and driver rollback capabilities. If you have not already tried these features, try them before using Recovery Manager.

NOTE: Recovery Manager only recovers software that was preinstalled at the factory. Software not provided with this computer must be reinstalled from the disc provided by the manufacturer or downloaded from the manufacturer's Web site.

Recovering from the recovery discs

To restore the system from the recovery discs:

1. Back up all personal files.
2. Insert the first recovery disc into the optical drive and restart the computer.
3. Follow the on-screen instructions.

Recovering from the partition on the hard drive

You can perform a recovery from the partition on the hard drive from either the Start button or **f11**.

To restore the system from the partition, follow these steps:

1. Access Recovery Manager in either of the following ways:
 - Select **Start > All Programs > Recovery Manager > Recovery Manager**.
 - Restart the computer and press **f11** while the "Press <F11> for recovery" message is displayed on the screen. Then select **Recovery Manager**.

Recovery Manager opens.

2. Click **Advanced Options**.
3. Click **System recovery**, and then click **Next**.
4. Follow the on-screen instructions.

Deleting the recovery partition on the hard drive

The Recovery Manager Advanced Options menu provides the option of deleting the recovery partition, which will increase space on the hard drive. Delete the recovery partition only if you have already created recovery discs.

△ **CAUTION:** After you create the recovery discs, you can increase space on the hard drive by deleting the recovery partition. However, doing this is not recommended. If you delete this partition, you will lose any information that is on the partition, including Recovery Manager software. Thereafter, you must use the recovery discs to access Recovery Manager software.

To delete the recovery partition:

1. If you have not already created recovery discs, create them now.
2. Select **Start > All Programs > Recovery Manager > Recovery Manager**.
Recovery Manager opens.
3. Click **Advanced Options**.
4. Click **Remove recovery partition**, and then click **Next**.
5. Follow the on-screen instructions.

Updating reinstalled software

After you perform a system recovery, connect to the Internet to update all reinstalled software.

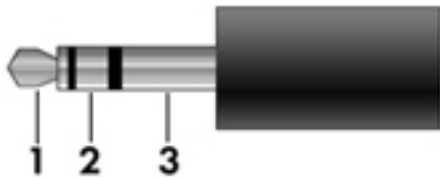
To access update links for the operating system and other software provided on your computer:

- ▲ Select **Start > Help and Support**.

To update optional software, follow the instructions provided by the software manufacturer. Some programs include an update feature you can access from a Help button or menu within the program.

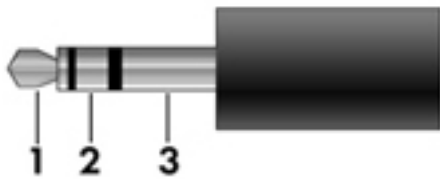
9 Connector pin assignments

Audio-out (headphone)



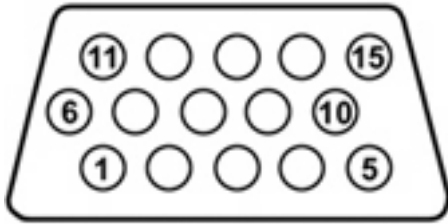
Pin	Signal
1	Audio out, left channel
2	Audio out, right channel
3	Ground

Audio-in (microphone)



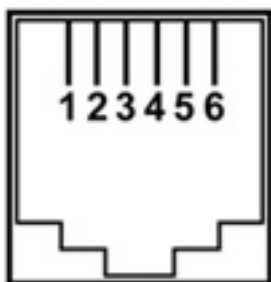
Pin	Signal
1	Audio signal in
2	Audio signal in
3	Ground

External monitor



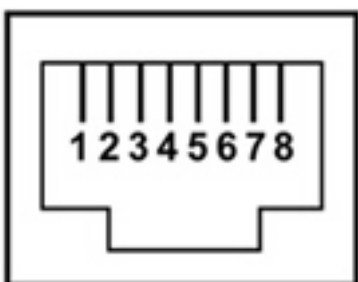
Pin	Signal
1	Red analog
2	Green analog
3	Blue analog
4	Not connected
5	Ground
6	Ground analog
7	Ground analog
8	Ground analog
9	+5 VDC
10	Ground
11	Monitor detect
12	DDC 2B data
13	Horizontal sync
14	Vertical sync
15	DDC 2B clock

RJ-11 (modem)



Pin	Signal
1	Unused
2	Tip
3	Ring
4	Unused
5	Unused
6	Unused

RJ-45 (network)



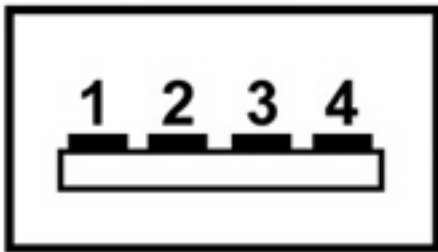
Pin	Signal
1	Transmit +
2	Transmit -
3	Receive +
4	Unused
5	Unused
6	Receive -
7	Unused
8	Unused

S-Video-out



Pin	Signal
1	S-VHS color (C) signal
2	Composite video signal
3	S-VHS intensity (Y) signal
4	S-VHS color ground
5	TV-CD
6	S-VHS intensity ground
7	Composite video ground

Universal Serial Bus



Pin	Signal
1	+5 VDC
2	Data -
3	Data +
4	Ground

10 Power cord set requirements

The wide range input feature of the computer permits it to operate from any line voltage from 100 to 120 volts AC or from 220 to 240 volts AC.

The 3-conductor power cord set included with the computer meets the requirements for use in the country or region where the equipment is purchased.

Power cord sets for use in other countries or regions must meet the requirements of the country or region where the computer is used.

Requirements for all countries or regions

The requirements listed below are applicable to all countries or regions:

- The length of the power cord set must be at least 1.5 m (5.0 ft) and no more than 2.0 m (6.5 ft).
- All power cord sets must be approved by an acceptable accredited agency responsible for evaluation in the country or region where the power cord set will be used.
- The power cord sets must have a minimum current capacity of 10 amps and a nominal voltage rating of 125 or 250 V AC, as required by each country or region's power system.
- The appliance coupler must meet the mechanical configuration of an EN 60 320/IEC 320 Standard Sheet C13 connector for mating with the appliance inlet on the back of the computer.

Requirements for specific countries or regions

Country/region	Accredited agency	Applicable note number
Australia	EANSW	1
Austria	OVE	1
Belgium	CEBC	1
Canada	CSA	2
Denmark	DEMKO	1
Finland	FIMKO	1
France	UTE	1
Germany	VDE	1
Italy	IMQ	1
Japan	METI	3
South Korea	EK	4
The Netherlands	KEMA	1
Norway	NEMKO	1
The People's Republic of China	CCC	5
Sweden	SEMKO	1
Switzerland	SEV	1
Taiwan	BSMI	4
The United Kingdom	BSI	1
The United States	UL	2

1. The flexible cord must be Type HO5VV-F, 3-conductor, 1.0-mm² conductor size. Power cord set fittings (appliance coupler and wall plug) must bear the certification mark of the agency responsible for evaluation in the country or region where it will be used.
2. The flexible cord must be Type SPT-3 or equivalent, No. 18 AWG, 3-conductor. The wall plug must be a two-pole grounding type with a NEMA 5-15P (15 A, 125 V) or NEMA 6-15P (15 A, 250 V) configuration.
3. The appliance coupler, flexible cord, and wall plug must bear a "T" mark and registration number in accordance with the Japanese Dentori Law. The flexible cord must be Type VCT or VCTF, 3-conductor, 1.00-mm² conductor size. The wall plug must be a two-pole grounding type with a Japanese Industrial Standard C8303 (7 A, 125 V) configuration.
4. The flexible cord must be Type RVV, 3-conductor, 0.75-mm² conductor size. Power cord set fittings (appliance coupler and wall plug) must bear the certification mark of the agency responsible for evaluation in the country or region where it will be used.
5. The flexible cord must be Type VCTF, 3-conductor, 0.75-mm² conductor size. Power cord set fittings (appliance coupler and wall plug) must bear the certification mark of the agency responsible for evaluation in the country or region where it will be used.

11 Recycling

Battery

When a battery has reached the end of its useful life, do not dispose of the battery in general household waste. Follow the local laws and regulations in your area for computer battery disposal.

Display

- ⚠ **WARNING!** The backlight contains mercury. Caution must be exercised when removing and handling the backlight to avoid damaging this component and causing exposure to the mercury.
- ⚠ **CAUTION:** The procedures in this appendix can result in damage to display components. The only components intended for recycling purposes are the liquid crystal display (LCD) panel and the backlight. Careful handling must be exercised when removing these components.
- 📄 **NOTE: Materials Disposal.** This HP product contains mercury in the backlight in the display assembly that might require special handling at end-of-life. Disposal of mercury may be regulated because of environmental considerations. For disposal or recycling information, contact your local authorities, or see the Electronic Industries Alliance (EIA) Web site at <http://www.eiae.org>.

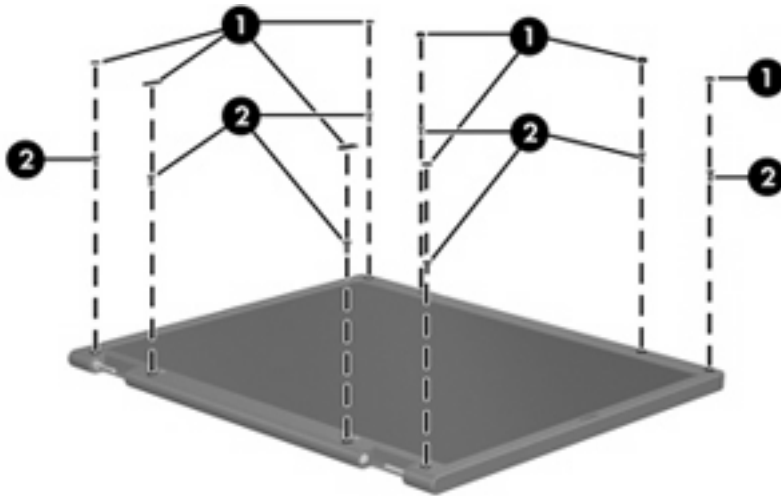
This section provides disassembly instructions for the display assembly. The display assembly must be disassembled to gain access to the backlight **(1)** and the liquid crystal display (LCD) panel **(2)**.



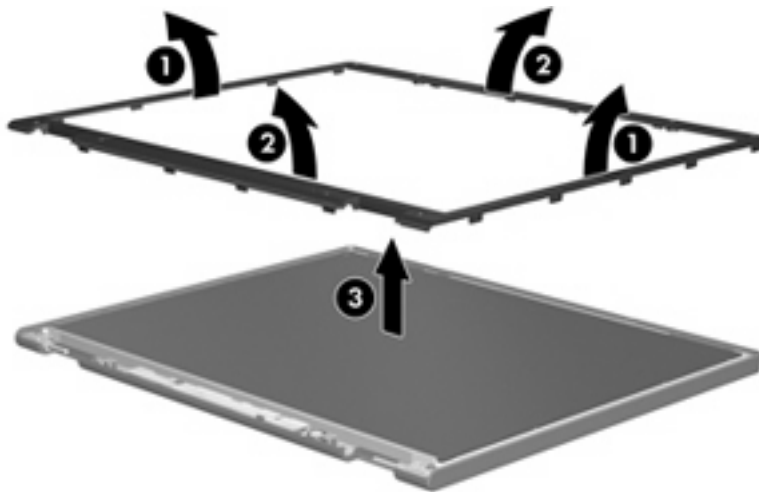
- 📄 **NOTE:** The procedures provided in this appendix are general disassembly instructions. Specific details, such as screw sizes, quantities, and locations, and component shapes and sizes, can vary from one computer model to another.

Perform the following steps to disassemble the display assembly:

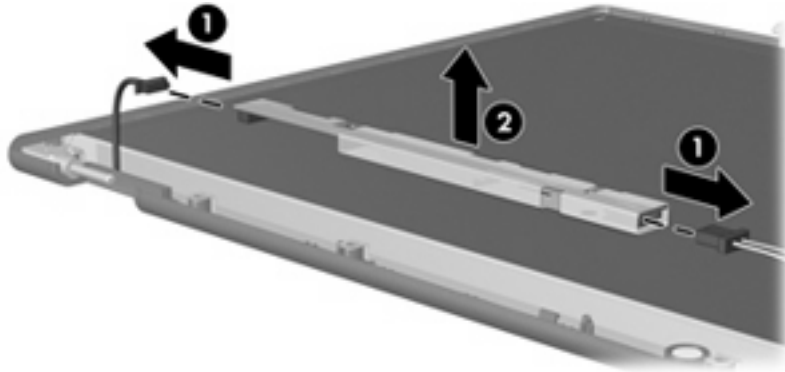
1. Remove all screw covers **(1)** and screws **(2)** that secure the display bezel to the display assembly.



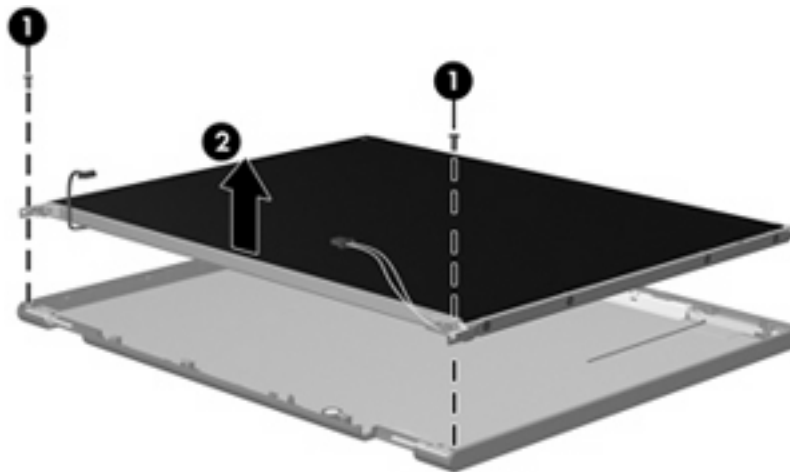
2. Lift up and out on the left and right inside edges **(1)** and the top and bottom inside edges **(2)** of the display bezel until the bezel disengages from the display assembly.
3. Remove the display bezel **(3)**.



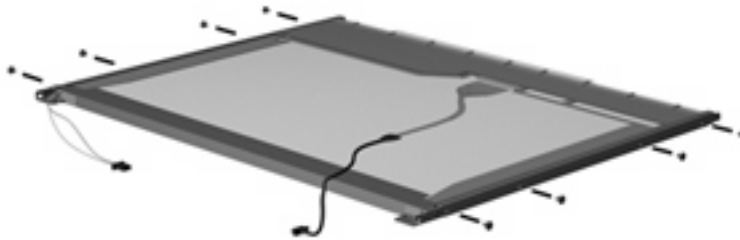
4. Disconnect all display panel cables **(1)** from the display inverter and remove the inverter **(2)**.



5. Remove all screws **(1)** that secure the display panel assembly to the display enclosure.
6. Remove the display panel assembly **(2)** from the display enclosure.

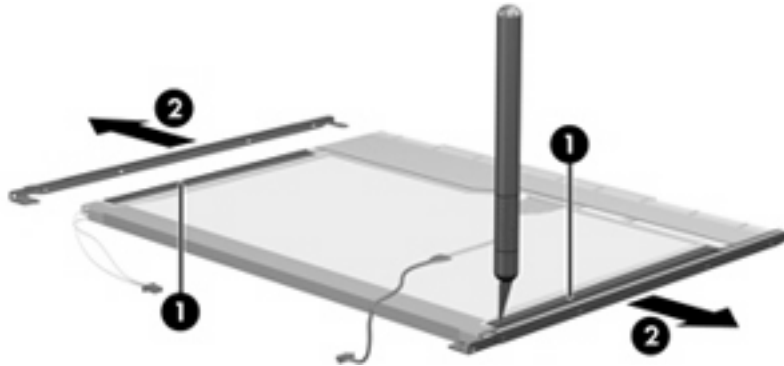


7. Turn the display panel assembly upside down.
8. Remove all screws that secure the display panel frame to the display panel.

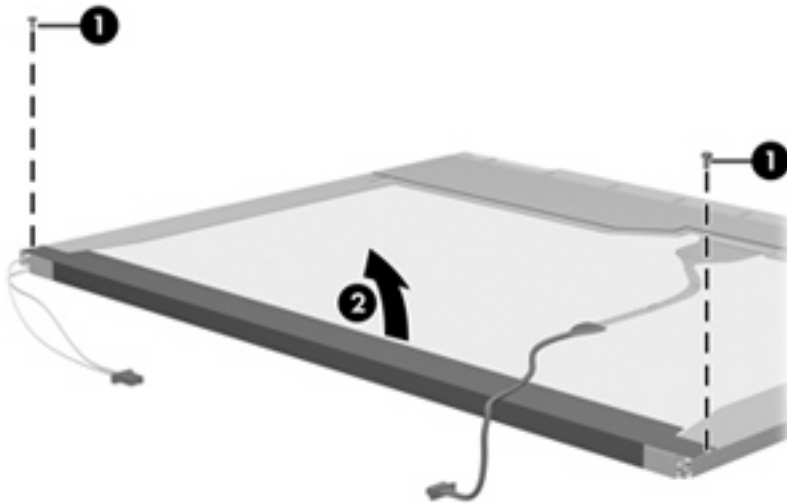


9. Use a sharp-edged tool to cut the tape **(1)** that secures the sides of the display panel to the display panel frame.

10. Remove the display panel frame **(2)** from the display panel.

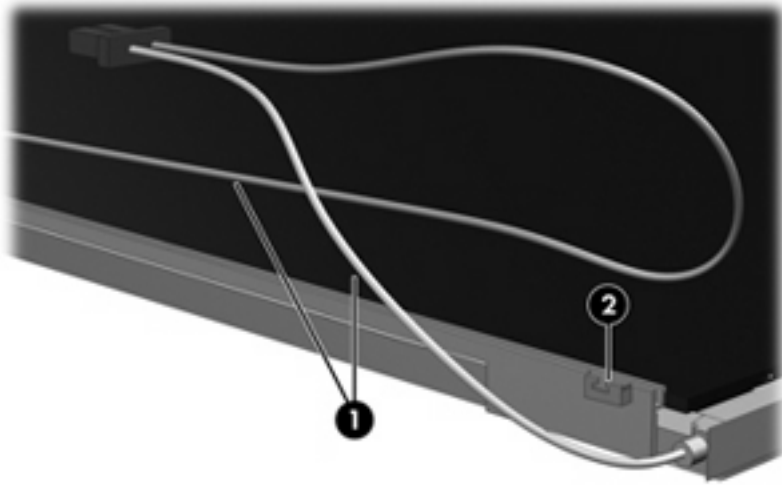


11. Remove the screws **(1)** that secure the backlight cover to the display panel.
12. Lift the top edge of the backlight cover **(2)** and swing it outward.

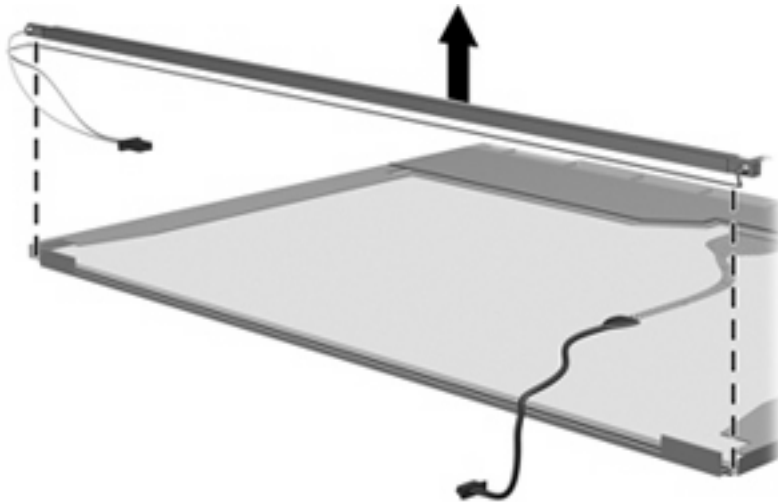


13. Remove the backlight cover.
14. Turn the display panel right-side up.

15. Remove the backlight cables **(1)** from the clip **(2)** in the display panel.

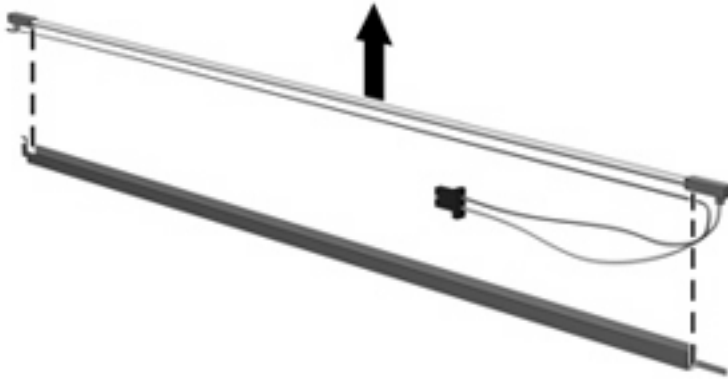


16. Turn the display panel upside down.
17. Remove the backlight frame from the display panel.

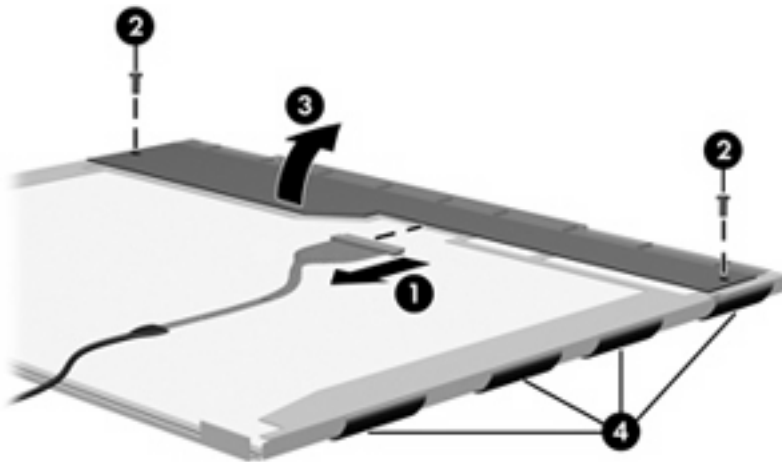


⚠ WARNING! The backlight contains mercury. Exercise caution when removing and handling the backlight to avoid damaging this component and causing exposure to the mercury.

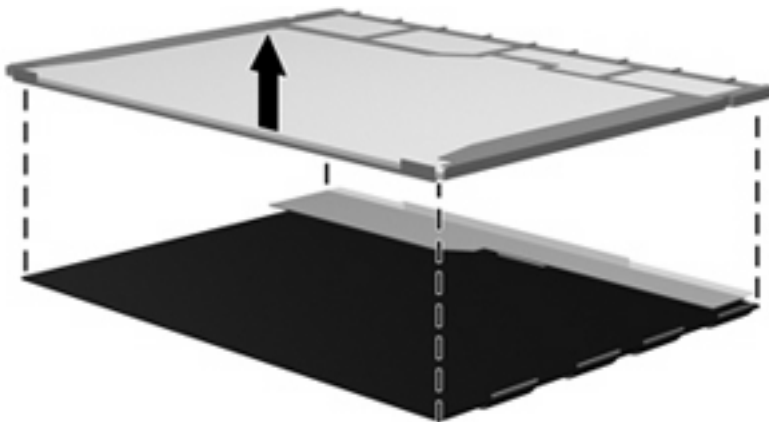
18. Remove the backlight from the backlight frame.



19. Disconnect the display cable (1) from the LCD panel.
20. Remove the screws (2) that secure the LCD panel to the display rear panel.
21. Release the LCD panel (3) from the display rear panel.
22. Release the tape (4) that secures the LCD panel to the display rear panel.



23. Remove the LCD panel.



24. Recycle the LCD panel and backlight.

Index

Symbols/Numerics

1394 port, location 12

A

AC adapter, spare part numbers 27, 29, 33
administrator password 84
advanced Setup Utility features 83
antenna
 removal 63
 spare part numbers 22, 32, 63
applications key, Windows 8
audio board
 removal 75
 spare part number 32
 spare part numbers 18, 29, 32, 75
audio board cable, illustrated 25
audio, product description 3
audio-in jack
 location 11
 pin assignments 125
audio-out jack
 location 11
 pin assignments 125

B

back up 119
backpack, spare part number 27, 29
base enclosure, spare part number 19, 32, 33
battery
 location 14
 removal 42
 spare part numbers 19, 32, 33, 42
battery bay 14

battery light 9, 11
battery release latch 14
Bluetooth module
 removal 68
 spare part number 18, 29, 68
Bluetooth module cable, illustrated 25
boot options 84
boot order 84
bottom components 14
button components 7
button sound 85
buttons
 media 7
 power 7
 volume mute 7

C

Cable Kit
 contents 25
 spare part number 21, 25, 32
cables, service considerations 36
caps lock light 9
carrying case, spare part number 27, 29
changing the Setup Utility language 81
chipset, product description 1
closing the Setup Utility 83
CMOS clearing 40
components
 bottom 14
 button 7
 display 6
 front 6, 11
 key 8
 left-side 12
 lights 9

 rear 13
 right-side 13
 TouchPad 10
composite video cable, spare part number 27, 29
computer feet
 locations 45
 spare part number 19, 29, 45
computer specifications 86
connector pin assignments
 audio-in 125
 audio-out 125
 external monitor 126
 headphone 125
 microphone 125
 modem 127
 monitor 126
 network 127
 RJ-11 127
 RJ-45 127
 S-Video-out 128
 Universal Serial Bus (USB) 128
connectors, service considerations 36

D

Diagnostics menu 85
Digital Media Slot 12
diskette drive
 precautions 36
 product description 3
display assembly
 removal 59
 spare part number 16, 31, 59
display bezel
 illustrated 22
 spare part numbers 22, 29, 33

- Display Cable Kit, spare part number 23, 29
 - display components
 - illustrated 22
 - recycling 131
 - spare part numbers 22
 - display enclosure
 - illustrated 22
 - spare part number 22, 29, 31
 - display hinge
 - removal 63
 - spare part number 22, 29, 63
 - display inverter
 - illustrated 22
 - removal 61
 - spare part number 22, 29, 62
 - Display Label Kit, spare part number 32
 - display panel
 - illustrated 22
 - product description 2
 - removal 62
 - spare part number 22, 31, 62
 - Display Screw Kit, spare part number 23, 29
 - display specifications 87
 - display switch 6
 - docking support, product description 4
 - drive light 9, 11
 - drivers, reinstalling 122
 - drives
 - boot order 84
 - preventing damage 36
 - DVB-T antenna adapter, spare part number 29
 - DVB-T tuner, spare part number 27, 29
 - DVB-T wireless antenna adapter, spare part number 27
 - DVD/CD-RW Combo Drive
 - precautions 36
 - removal 51
 - spare part number 19, 26, 31, 51
 - specifications 89
 - DVD±RW and CD-RW Combo Drive
 - precautions 36
 - removal 51
 - spare part numbers 19, 26, 32, 51
 - specifications 89
- E**
- electrostatic discharge 37
 - enhanced SATA support 84
 - esc key 8
 - Ethernet, product description 3
 - Expansion port 3 12
 - ExpressCard assembly
 - removal 69
 - spare part number 17, 29, 69
 - ExpressCard Kit, spare part number 27, 31
 - ExpressCard slot 13
 - ExpressCard slot bezel
 - illustrated 24
 - removal 69
 - external media cards, product description 4
 - external monitor port
 - location 12
 - pin assignments 126
- F**
- fan/heat sink assembly
 - removal 76
 - spare part number 17, 32, 76
 - feet
 - locations 45
 - spare part number 19, 29, 45
 - fingerprint reader 81
 - fn key 8
 - front components 6, 11
 - function keys 8
- G**
- graphics, product description 2
 - grounding equipment and methods 39
- H**
- hard drive
 - precautions 36
 - product description 2
 - removal 43
 - spare part numbers 19, 26, 31, 33, 43
 - specifications 88
 - hard drive bay 14
 - hard drive cover
 - illustrated 24
 - removal 43
 - hard drive self test 85
 - headphone jack
 - location 11
 - pin assignments 125
 - headset, spare part number 27, 28
 - hinge
 - removal 63
 - spare part number 22, 29, 63
- I**
- I/O address specifications 94, 96
 - infrared emitter, spare part number 27, 30
 - infrared lens 11
 - interrupt specifications 92, 93
 - inverter
 - illustrated 22
 - removal 61
 - spare part number 22, 29, 62
- J**
- jacks
 - audio-in 11
 - audio-out 11
 - headphone 11
 - microphone 11
 - modem 12
 - network 12
 - RJ-11 12
 - RJ-45 12
 - S-Video-out jack 12
- K**
- key components 8
 - keyboard
 - product description 4

- removal 55
- spare part numbers 17, 31, 55
- keypad keys 8
- keys
 - esc 8
 - fn 8
 - function 8
 - num lock 8
 - Windows applications 8
 - Windows logo 8

L

- Label Kit, spare part number 27, 32
- language support 81, 84
- LED board cable, illustrated 25
- left-side components 12
- light components 9
- lights
 - battery 9, 11
 - caps lock 9
 - drive 9, 11
 - num lock 9
 - optical drive 13
 - power 9, 11
 - volume down 9
 - volume mute 9
 - volume up 9
 - wireless 11

M

- main menu 84
- mass storage devices, spare part numbers 26
- media button 7
- memory map specifications, AMD 99
- memory map specifications, Intel 98
- memory module
 - product description 2
 - removal 45
 - spare part numbers 21, 31, 33, 45
- memory/WLAN module compartment 14

- memory/WLAN module compartment cover
 - illustrated 24
 - removal 46
- microphone
 - location 6
 - product description 3
 - removal 63
 - spare part number 22, 29, 64
- microphone jack
 - location 11
 - pin assignments 125
- model name 1
- modem jack
 - location 12
 - pin assignments 127
- modem module, product description 3
- monitor port
 - location 12
 - pin assignments 126
- mouse, spare part numbers 27, 29

N

- navigating in the Setup Utility 82
- network jack
 - location 12
 - pin assignments 127
- num lock key 8
- num lock light 9

O

- operating system, product description 5
- optical drive
 - location 13, 14
 - precautions 36
 - product description 3
 - removal 51
 - spare part numbers 19, 26, 51
 - specifications 89
- optical drive light 13

P

- packing guidelines 38
- password clearing 40
- passwords 84
- plastic parts 35

- Plastics Kit
 - contents 24
 - spare part number 17, 24, 30
- pointing device
 - components 10
 - product description 4
- ports
 - 1394 12
 - external monitor port 12
 - monitor port 12
 - product description 4
 - Universal Serial Bus (USB) 12, 13
- power button 7
- power button board
 - removal 57
 - spare part number 17, 29, 57
- power button board cable, illustrated 25
- power connector 13
- power cord set requirements 129
- power cord, spare part numbers 27, 28
- power light 9, 11
- power requirements, product description 4
- power-on password 84
- processor
 - product description 1
 - removal 79
 - spare part numbers 18, 31, 32, 33, 34, 79
- processor bracket, spare part number 18, 32, 79
- product description
 - audio 3
 - chipset 1
 - diskette drive 3
 - display panel 2
 - docking support 4
 - Ethernet 3
 - external media cards 4
 - graphics 2
 - hard drives 2
 - keyboard 4
 - memory module 2
 - microphone 3
 - modem module 3

- operating system 5
- optical drives 3
- pointing devices 4
- ports 4
- power requirements 4
- processors 1
- product name 1
- security 4
- serviceability 5
- wireless 3
- product name 1

R

- rear components 13
- recovery discs 121
- recovery partition, deleting 124
- recovery, system 123
- remote control, spare part numbers 27, 30
- removal/replacement
 - preliminaries 35
 - procedures 41
- restore points 120
- RF input adapter cable, spare part number 27, 29
- right-side components 13
- RJ-11 jack
 - location 12
 - pin assignments 127
- RJ-45 jack
 - location 12
 - pin assignments 127
- RTC battery
 - removal 47
 - spare part numbers 21, 32, 47
- Rubber Kit, spare part number 19, 29, 45

S

- S-Video-out jack
 - location 12
 - pin assignments 128
- Screw Kit
 - contents 100
 - spare part number 28, 29
- screw listing 100
- secondary hard drive self test 85
- security cable slot 13
- Security menu 84

- security, product description 4
- selecting in the Setup Utility 82
- serial number 15, 41
- service considerations 35
- serviceability, product description 5
- Setup Utility
 - changing the language 81
 - Diagnostics menu 85
 - displaying system information 82
 - Main menu 84
 - navigating 82
 - overview 81
 - Security menu 84
 - selecting 82
 - starting 81
 - System Configuration menu 84
 - using advanced features 83
- software
 - reinstalling 122
 - updating 124
- speakers 7
- specifications
 - computer 86
 - display 87
 - DVD/CD-RW Combo Drive 89
 - DVD±RW and CD-RW Combo Drive 89
 - hard drive 88
 - I/O addresses, AMD 96
 - I/O addresses, Intel 94
 - interrupts, AMD 93
 - interrupts, Intel 92
 - memory map, AMD 99
 - memory map, Intel 98
 - optical drive 89
 - system DMA, AMD 91
 - system DMA, Intel 90
- static-shielding materials 39
- switch cover
 - removal 53
 - spare part numbers 17, 29, 33, 34, 53
- system board
 - removal 72
 - spare part numbers 18, 31, 32, 33, 72
- System Configuration menu 84
- system DMA 90, 91

- system information 82, 84
- system memory map, AMD 99
- system memory map, Intel 98

T

- thermal material, replacement 78
- tools required 35
- top components 7
- top cover
 - removal 65
 - spare part numbers 17, 32, 33, 34, 65
- TouchPad components
 - buttons 10
 - light 10
 - on/off button 10
 - scroll zone 10
 - TouchPad 10
- transporting guidelines 38
- TV tuner antenna, spare part number 27, 30
- TV tuner, spare part number 27, 30

U

- Universal Serial Bus (USB) port
 - locations 12, 13
 - pin assignments 128
- unknown password 40
- USB digital drive, spare part number 27, 28
- USB/power connector board
 - removal 71
 - spare part number 18, 32, 71
- USB/power connector board cable
 - illustrated 25
 - removal 74

V

- vents 13, 14
- video memory 85
- volume down light 9
- volume mute button 7
- volume mute light 9
- volume scroll zone 7
- volume up light 9

W

- Windows applications key 8
- Windows logo key 8

- wireless antenna
 - removal 63
 - spare part numbers 22, 32, 63
- Wireless Antenna Kit, spare part numbers 22, 32, 63
- wireless light 11
- wireless switch 11
- wireless, product description 3
- WLAN module
 - removal 48
 - spare part numbers 19, 30, 33, 48, 49
- workstation guidelines 38

