

HP Compaq 2210b Notebook PC

Maintenance and Service Guide



© Copyright 2007 Hewlett-Packard
Development Company, L.P.

AMD, the AMD Arrow logo, and combinations thereof, are trademarks of Advanced Micro Devices, Inc. Bluetooth is a trademark owned by its proprietor and used by Hewlett-Packard Company under license. Intel, Core, and Celeron are trademarks or registered trademarks of Intel Corporation or its subsidiaries in the United States and other countries. Microsoft, Windows, and Windows Vista are either trademarks or registered trademarks of Microsoft Corporation in the United States and/or other countries. SD Logo is a trademark of its proprietor.

The information contained herein is subject to change without notice. The only warranties for HP products and services are set forth in the express warranty statements accompanying such products and services. Nothing herein should be construed as constituting an additional warranty. HP shall not be liable for technical or editorial errors or omissions contained herein.

First Edition: July 2007

Document Part Number: 449391-001

Safety warning notice

- ⚠ **WARNING!** To reduce the possibility of heat-related injuries or of overheating the computer, do not place the computer directly on your lap or obstruct the computer air vents. Use the computer only on a hard, flat surface. Do not allow another hard surface, such as an adjoining optional printer, or a soft surface, such as pillows or rugs or clothing, to block airflow. Also, do not allow the AC adapter to contact the skin or a soft surface, such as pillows or rugs or clothing, during operation. The computer and the AC adapter comply with the user-accessible surface temperature limits defined by the International Standard for Safety of Information Technology Equipment (IEC 60950).
-

Table of contents

1 Product description

2 External component identification

Display components	5
Top components	6
Pointing devices	6
Buttons and fingerprint reader	7
Keys	8
Lights	9
Front components	11
Left-side components	12
Right-side components	13
Bottom components	14

3 Illustrated parts catalog

Serial number location	15
Computer major components	16
Cable Kit	21
Plastics Kit	22
Mass storage devices	23
Miscellaneous parts	24
Sequential part number listing	25

4 Removal and replacement procedures

Preliminary replacement requirements	29
Tools required	29
Service considerations	29
Plastic parts	29
Cables and connectors	30
Drive handling	30
Grounding guidelines	31
Electrostatic discharge damage	31
Packaging and transporting guidelines	32
Workstation guidelines	32
Equipment guidelines	33
Unknown user password	34
Component replacement procedures	35
Serial number	35

Computer feet	36
Battery	37
Hard drive	38
Memory module	40
WLAN module	42
Optical drive	45
Keyboard	47
Switch cover	49
Display assembly	51
Top cover	55
RTC battery	58
Front LED board	60
Bluetooth module	61
Speaker assembly	62
Microphone	64
System board	65
ExpressCard assembly	67
Modem module	69
Fan	71
Heat sink	73
Processor	75

5 Computer Setup

Starting Computer Setup	77
Using Computer Setup	78
Navigating and selecting in Computer Setup	78
Restoring factory settings in Computer Setup	78
Computer Setup menus	79
File menu	79
Security menu	80
Diagnostics menu	80
System Configuration menu	81

6 Specifications

Computer specifications	83
12.1-inch, WXGA display specifications	84
Hard drive specifications	85
DVD/CD-RW Combo Drive specifications	86
DVD-ROM Drive	87
System DMA specifications	88
System interrupt specifications	89
System I/O address specifications	90
System memory map specifications	92

7 Screw listing

Phillips PM2.0×4.0 screw	93
Phillips PM2.0×5.0 captive screw	95
Phillips PM2.5×12.0 captive screw	96
Phillips PM3.0×4.0 screw	97

Phillips PM2.5×4.0 screw	98
Phillips PM2.5×7.0 screw	100
Phillips PM2.5×7.0 captive screw	102
Phillips PM2.0×3.0 screw	103
Phillips PM2.5×5.0 screw	105
Torx T8M2.5×6.0 screw	106
Torx T8M2.5×5.0 screw	107
Phillips PM2.5×6.0 screw	108
Phillips PM2.0×6.0 screw	109
Phillips PM2.0×6.0 shoulder screw	110

8 Backup and recovery

Backup and recovery in Windows Vista	111
Creating recovery discs	111
Backing up your information	111
When to back up	112
Backup suggestions	112
Backing up specific files or folders	112
Backing up the entire hard drive	113
Creating recovery points	114
Scheduling backups	114
Performing a recovery	114
Performing a recovery from the recovery discs	115
Performing a recovery from the hard drive	115
Initiating a recovery in Windows	116
Initiating a recovery from the hard drive recovery partition	116
Backup and recovery in Windows XP	117
Creating recovery discs	117
Backing up your information	117
When to back up	118
Backup suggestions	118
Backing up specific files or folders	118
Backing up the entire hard drive	119
Creating recovery points	120
Scheduling backups	120
Performing a recovery	120
Performing a recovery from the recovery discs	121
Performing a recovery from the hard drive	121
Initiating a recovery in Windows	122
Initiating a recovery from the hard drive recovery partition	122

9 Connector pin assignments

Audio-out (headphone)	123
Audio-in (microphone)	123
External monitor	124
RJ-11 (modem)	125
RJ-45 (network)	126
S-Video-out	127
Universal Serial Bus	128

10 Power cord set requirements	
Requirements for all countries and regions	129
Requirements for specific countries and regions	130
11 Recycling	
Battery	131
Display	131
Index	137

1 Product description

Category	Description
Product Name	HP Compaq 2210b Notebook PC
Processors	Intel® Core™ 2 Duo processors: T7800 2.6-GHz processor, 4-MB L2 cache, 800-MHz front side bus (FSB) T7700 2.4-GHz processor, 4-MB L2 cache, 800-MHz FSB T7500 2.2-GHz processor, 4-MB L2 cache, 800-MHz FSB T7300 2.0-GHz processor, 4-MB L2 cache, 800-MHz FSB T7100 1.8-GHz processor, 2-MB L2 cache, 800-MHz FSB Intel Celeron® M processors: Celeron M 540 1.86-GHz processor, 2-MB L2 cache, 533-MHz FSB Celeron M 530 1.73-GHz processor, 2-MB L2 cache, 533-MHz FSB
Chipset	Northbridge: Intel GM965 with up to 800-MHz FSB Southbridge: Intel ICH8M
Graphics	Intel Unified Memory Architecture (UMA) graphics subsystem integrated with shared system memory (dynamically allocated)
Panel	12.1-inch WXGA panel (1280 × 800) All display assemblies include 2 wireless local area network (WLAN) antennae
Memory	2 customer-accessible/upgradable memory module slots Supports dual-channel memory Supports up to 4 GB of system RAM PC2-5300, 667-MHz, DDR2 Supports the following configurations: <ul style="list-style-type: none">• 4096-MB total system memory (2048 × 2, dual-channel)• 3072-MB total system memory (2048 + 1024)• 2560-MB total system memory (2048 + 512)• 2048-MB total system memory (1024 × 2, dual-channel)• 2048-MB total system memory (2048 × 1)• 1536-MB total system memory (1024 + 512)

Category	Description
	<ul style="list-style-type: none"> • 1024-MB total system memory (512 × 2, dual-channel) • 1024-MB total system memory (1024 × 1) • 512-MB total system memory (512 × 1)
Hard drives	<p>Supports 9.5-mm, 2.5-inch hard drives</p> <p>Customer-accessible</p> <p>Serial ATA</p> <p>HP 3D DriveGuard</p> <p>Supports the following drives:</p> <ul style="list-style-type: none"> • 200-GB, 4200-rpm • 160-GB, 5400-rpm • 120-GB, 5400-rpm • 80-GB, 5400-rpm
Optical drives	<p>Fixed (removal of 1 screw required)</p> <p>Customer-accessible</p> <p>Parallel ATA</p> <p>12.7-mm tray load</p> <p>Supports no-optical-drive option</p> <p>Supports the following drives:</p> <ul style="list-style-type: none"> • DVD/CD-RW Combo Drive • DVD-ROM Drive
Diskette drive	Supports external USB diskette drive only
Microphone	Integrated mono microphone
Audio	<p>Azalia audio</p> <p>2 speakers</p>
Modem	<p>56K V.92 1.5-inch data/fax modem with digital line guard</p> <p>Modem cable included</p>
Ethernet	<p>Intel Broadcom 5787 10/100/1000 network interface card (NIC)</p> <p>S4/S5 wake on LAN: AC</p> <p>NIC power-down technology</p>
Wireless	<p>Integrated WLAN options by way of wireless module:</p> <p>2 wireless antennae built into display assembly</p> <p>Support for no-WLAN option</p>

Category	Description
	Support for the following WLAN formats: <ul style="list-style-type: none"> • Intel 802.11a/b/g/n • Broadcom 802.11a/b/g • Intel 802.11a/b/g • Broadcom 802.11b/g • Intel 802.11b/g
	Integrated personal area network (PAN) options by way of Bluetooth® module:
	Support for no-WPAN option
	Broadcom Bluetooth
External media card	One Type I/II PC Card slot, supporting 16-bit and 32-bit (Cardbus) PC Card modules Media Card Reader supporting MMC and SD digital cards
Ports	Audio-in (mono microphone) Audio-out (stereo headphone) S-Video-out RJ-11 (modem) RJ-45 (Ethernet, includes link and activity lights) USB (3) VGA (Dsub 15-pin) supporting 1600 × 1200 external resolution at 75-GHz (hot plug/unplug with auto-detect) Multi-pin AC power
Keyboard/pointing devices	Spill-resistant 12.3-inch keyboard TouchPad with 2 TouchPad buttons Supports 1-way scroll Taps enabled as default Windows Vista® Hardware Start Button
Power requirements	65-W AC adapter with localized and pointing stick cable plug support (3-wire plug with ground pin, supports 3-pin DC connector) 8-cell, 2.55-Ah (73-Wh) Li-ion battery 4-cell, 2.25-Ah (37-Wh) Li-ion battery
Security	Security cable slot Integrated fingerprint reader
Operating system	Preinstalled: Windows Vista® Business 32 Windows Home Basic 32

Category	Description
	Windows® XP Professional
	FreeDOS (India and Thailand)
	FreeDOS (Thailand)
	Restore Media:
	Windows Vista Business 32
	Windows Vista Home Basic 32
	Windows XP Professional
	DRDVD XP
	DRDVD Vista
Serviceability	End-user replaceable parts:
	AC adapter
	Battery (system)
	Hard drive
	Memory module
	Optical drive
	WLAN module

2 External component identification

Display components



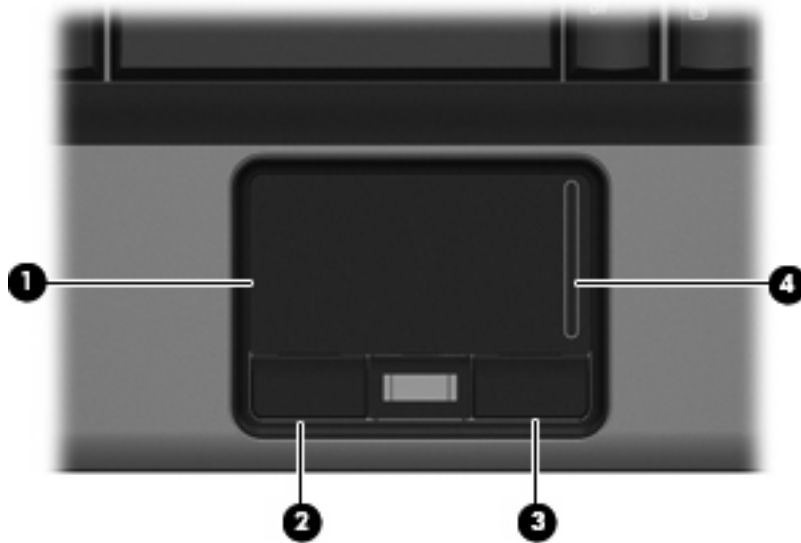
Component	Function
Wireless antennae (2)*	Send and receive wireless signals to communicate with WLANs.

*The antennae are not visible from the outside of the computer. For optimal transmission, keep the areas immediately around the antennae free from obstructions.

To see wireless regulatory notices, refer to the section of the *Regulatory, Safety and Environmental Notices* that applies to your country or region. These notices are located in Help and Support.

Top components

Pointing devices

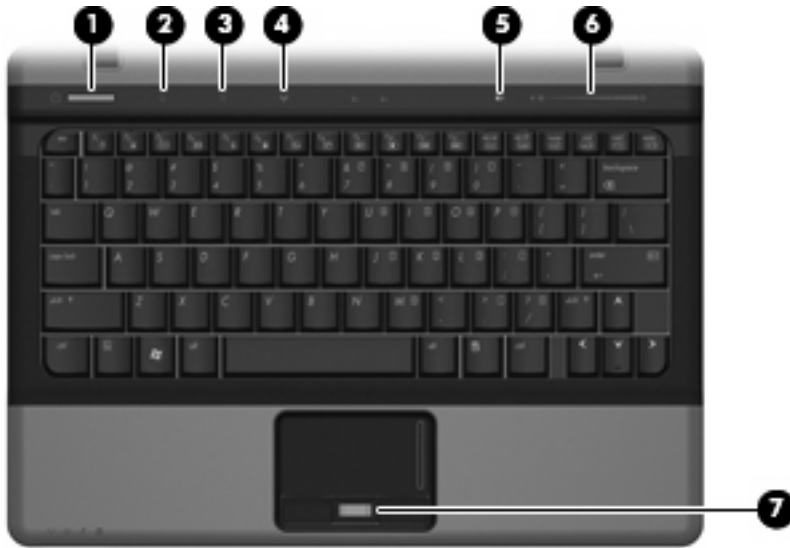


Item	Component	Function
(1)	TouchPad	Moves the pointer and selects or activates items on the screen.
(2)	Left TouchPad button	Functions like the left button on an external mouse.
(3)	Right TouchPad button	Functions like the right button on an external mouse.
(4)	TouchPad scroll zone	Scrolls up or down.

NOTE: This table describes factory settings. View or change pointing device preferences as follows:

- In Windows Vista, select **Start > Control Panel > Hardware and Sound > Mouse**.
- In Windows XP, select **Start > Control Panel > Printers and Other Hardware > Mouse**.

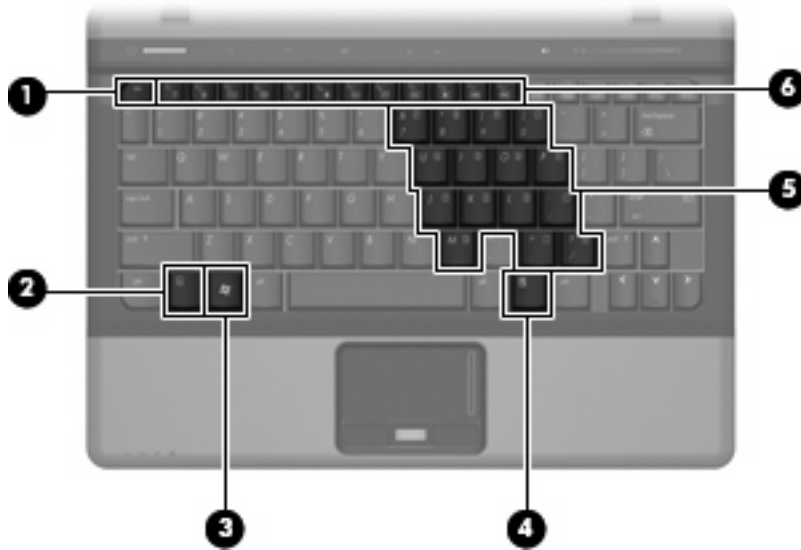
Buttons and fingerprint reader



Item	Component	Function
(1)	Power button	<ul style="list-style-type: none"> When the computer is off, press the button to turn on the computer. When the computer is on, press the button to shut down the computer. When the computer is in the Sleep state (Windows Vista) or in Standby (Windows XP), press the button briefly to exit the Sleep state or Standby. When the computer is in Hibernation, press the button briefly to exit Hibernation. <p>If the computer has stopped responding and Windows® shutdown procedures are ineffective, press and hold the power button for at least 5 seconds to turn off the computer.</p> <p>To learn more about power settings, follow these steps:</p> <ul style="list-style-type: none"> In Windows Vista, select Start > Control Panel > System and Maintenance > Power Options. In Windows XP, select Start > Control Panel > System and Maintenance > Power Options.
(2)	Info button	Launches Info Center, which enables you to open various software solutions.
(3)	Presentation button	Starts the presentation feature.
(4)	Wireless button	Turns the wireless feature on or off, but does not establish a wireless connection.
		NOTE: A wireless network must be set up in order to establish a wireless connection.
(5)	Volume mute button	Mutes and restores speaker sound.

Item	Component	Function
(6)	Volume scroll zone	Adjusts speaker volume. Slide your finger to the left to decrease volume and to the right to increase volume.
(7)	HP Fingerprint Sensor (fingerprint reader)	Allows a fingerprint logon to Windows, instead of a password logon.

Keys



Item	Component	Function
(1)	<code>esc</code> key	Displays system information when pressed in combination with the <code>fn</code> key.
(2)	<code>fn</code> key	Executes frequently used system functions when pressed in combination with a function key or the <code>esc</code> key.
(3)	Windows logo key	Displays the Windows Start menu.
(4)	Windows applications key	Displays a shortcut menu for items beneath the pointer.
(5)	Embedded numeric keypad keys	Can be used like the keys on an external numeric keypad.
(6)	Function keys	Execute frequently used system functions when pressed in combination with the <code>fn</code> key.

Lights



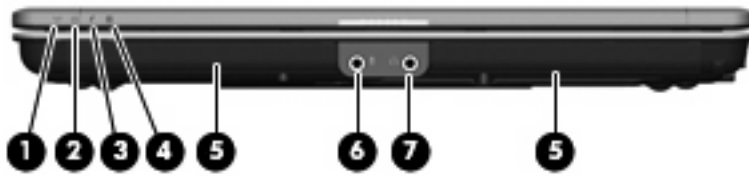
Item	Component	Function
(1)	Wireless lights (2)†	<ul style="list-style-type: none"> On: An integrated wireless device, such as a wireless local area network (WLAN) device, the HP Broadband Wireless Module, and/or a Bluetooth® device, is on. Off: All wireless devices are off.
(2)	Power lights (2)*	<ul style="list-style-type: none"> On: The computer is on. Blinking: The computer is in the Sleep state (Windows Vista) or in Standby (Windows XP). Blinking rapidly: An AC adapter with a higher power rating should be connected. Off: The computer is off or in Hibernation.
(3)	Battery light	<ul style="list-style-type: none"> Amber: A battery is charging. Green: A battery is close to full charge capacity. Blinking amber: A battery that is the only available power source has reached a low battery level. When the battery reaches a critical battery level, the battery light begins blinking rapidly. Off: If the computer is plugged into an external power source, the light turns off when all batteries in the computer are fully charged. If the computer is not plugged into an external power source, the light stays off until the battery reaches a low battery level.
(4)	Drive light	<ul style="list-style-type: none"> Blinking green: The hard drive or optical drive is being accessed. Amber: HP 3D DriveGuard has temporarily parked the internal hard drive.

Item	Component	Function
(5)	Volume mute light	<ul style="list-style-type: none"> • Off: Computer sound is on. • On: Computer sound is off.
(6)	Volume down light	Blinking: The volume scroll zone is being used to decrease speaker volume.
(7)	Volume up light	Blinking: The volume scroll zone is being used to increase speaker volume.

*The 2 power lights display the same information. The light on the power button is visible only when the computer is open. The power light on the front of the computer is visible whether the computer is open or closed.

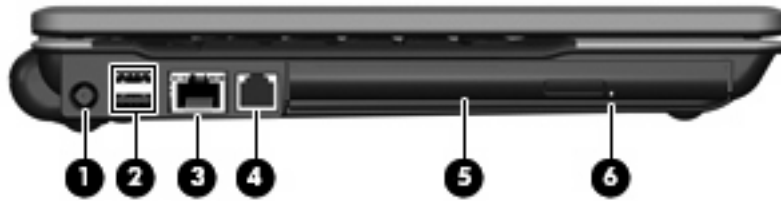
†The 2 wireless lights display the same information. The light on the wireless button is visible only when the computer is open. The wireless light on the front of the computer is visible whether the computer is open or closed.

Front components



Item	Component	Function
(1)	Wireless light	<ul style="list-style-type: none"> On: An integrated wireless device, such as a WLAN device, the HP Broadband Wireless Module, and/or a Bluetooth device, is turned on. Off: All wireless devices are turned off.
(2)	Power light	<ul style="list-style-type: none"> On: The computer is on. Blinking: The computer is in the Sleep state (Windows Vista) or in Standby (Windows XP). Blinking rapidly: An AC adapter with a higher power rating should be connected. Off: The computer is off or in Hibernation.
(3)	Battery light	<ul style="list-style-type: none"> Amber: A battery is charging. Green: A battery is close to full charge capacity. Blinking amber: A battery that is the only available power source has reached a low battery level. When the battery reaches a critical battery level, the battery light begins blinking rapidly. Off: If the computer is plugged into an external power source, the light turns off when all batteries in the computer are fully charged. If the computer is not plugged into an external power source, the light stays off until the battery reaches a low battery level.
(4)	Drive light	<ul style="list-style-type: none"> Blinking green: The hard drive or optical drive is being accessed. Amber (select models only): HP 3D DriveGuard has temporarily parked the hard drive.
(5)	Speakers (2)	Produce sound.
(6)	Audio-out (headphone) jack	Produces sound when connected to optional powered stereo speakers, headphones, ear buds, a headset, or television audio.
(7)	Audio-in (microphone) jack	Connects an optional computer headset microphone, stereo array microphone, or monaural microphone.

Left-side components



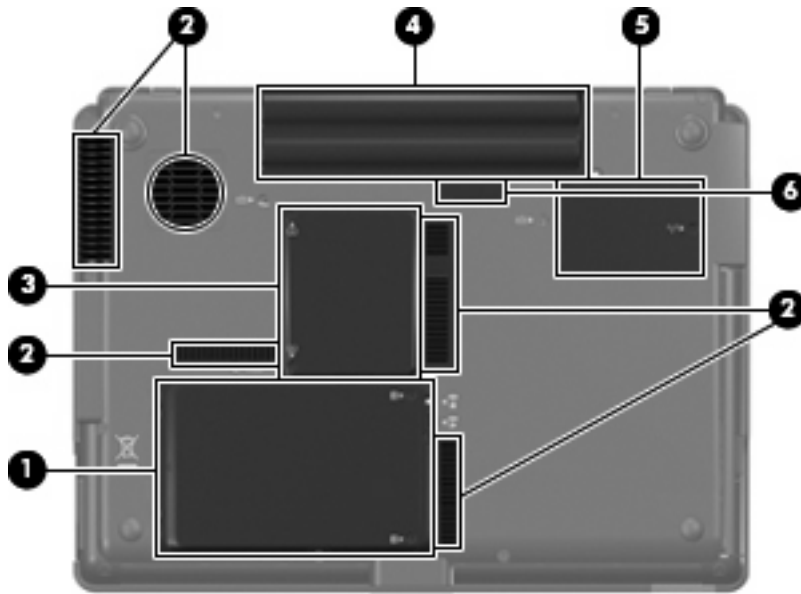
Item	Component	Function
(1)	Power connector	Connects an AC adapter.
(2)	USB ports (2)	Connect optional USB devices.
(3)	RJ-45 (network) jack	Connects a network cable. NOTE: The RJ-45 (network) jack provides Gigabit Ethernet functionality.
(4)	RJ-11 (modem) jack	Connects a modem cable.
(5)	Optical drive	Reads optical discs and, on select models, also writes to optical discs.
(6)	Optical drive light	On: The optical drive is being accessed.

Right-side components



Item	Component	Function
(1)	ExpressCard slot (select models only)	Supports optional ExpressCard/54 cards.
(2)	Media Card Reader	Supports the following optional digital card formats: MultiMedia Card (MMC) and Secure Digital (SD) Memory Card.
(3)	USB port (select models only)	Connects an optional USB device.
(4)	S-Video-out jack	Connects an optional S-Video device such as a television, VCR, camcorder, overhead projector, or video capture card.
(5)	Internal microphone	Records sound.
(6)	External monitor port	Connects an external VGA monitor or projector.
(7)	Vent	Enables airflow to cool internal components. NOTE: The computer fan starts up automatically to cool internal components and prevent overheating. It is normal for the internal fan to cycle on and off during routine operation.
(8)	Security cable slot	Attaches an optional security cable to the computer. NOTE: The security cable is designed to act as a deterrent, but it may not prevent the computer from being mishandled or stolen.

Bottom components

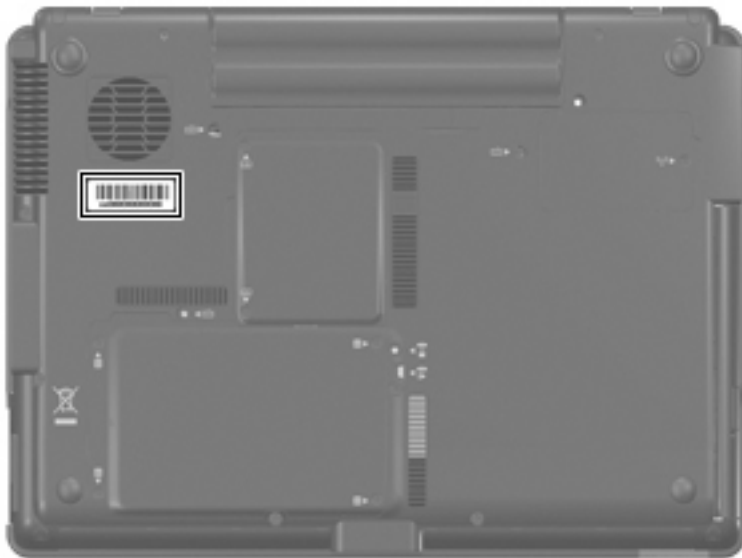


Item	Component	Function
(1)	Hard drive bay	Holds the hard drive.
(2)	Vents (5)	Enables airflow to cool internal components. NOTE: The computer fan starts up automatically to cool internal components and prevent overheating. It is normal for the internal fan to cycle on and off during routine operation.
(3)	Memory module compartment	Contains a memory module slot.
(4)	Battery bay	Holds the battery.
(5)	WLAN module compartment	Contains a WLAN module slot. CAUTION: To prevent an unresponsive system, use only a wireless module authorized for use in the computer by the governmental agency that regulates wireless devices in your country or region. If you install the module and then receive a warning message, remove the module to restore computer functionality, and then contact technical support through Help and Support.
(6)	Battery release latch	Releases the battery from the battery bay.

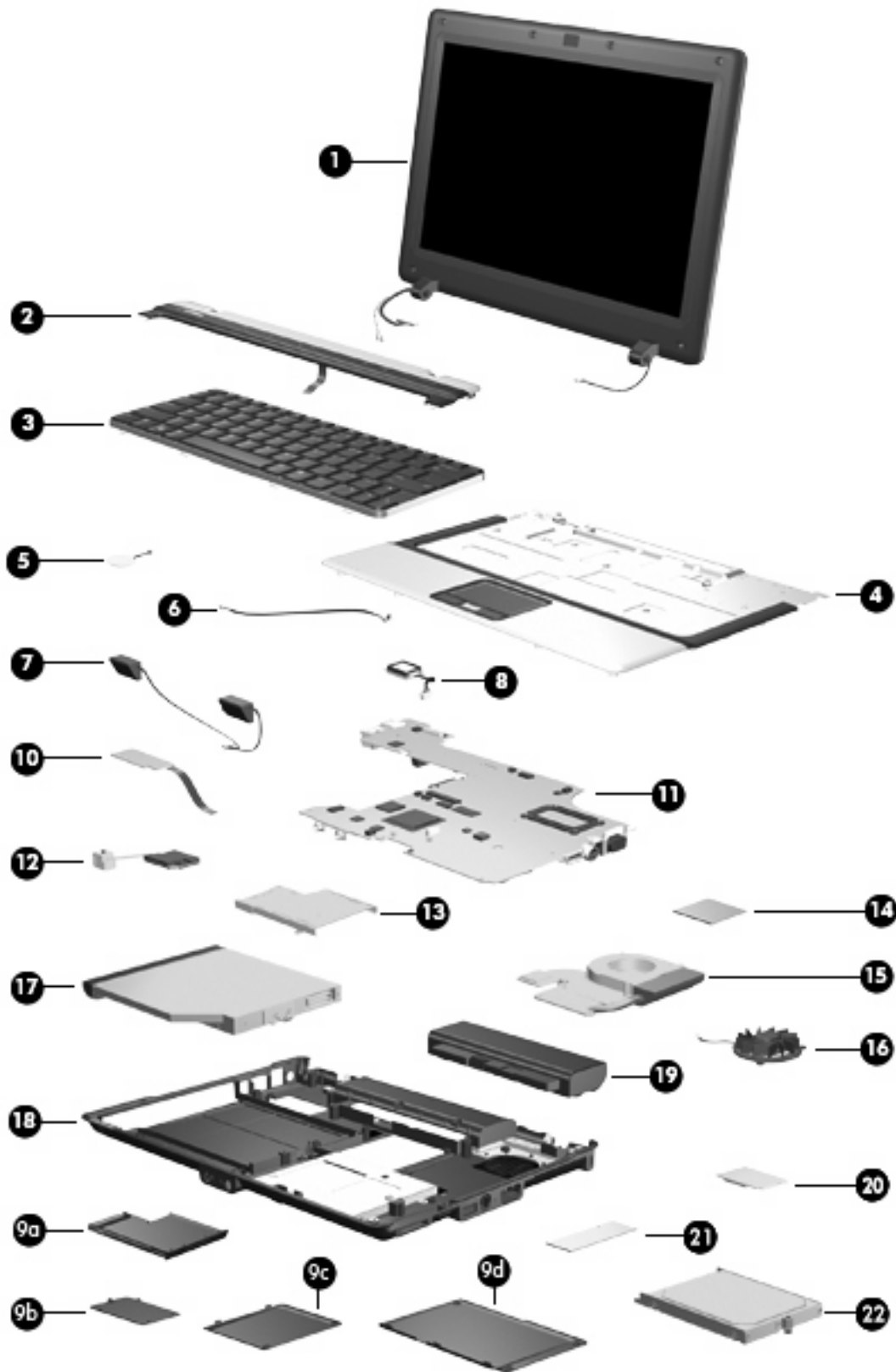
3 Illustrated parts catalog

Serial number location

When ordering parts or requesting information, provide the computer serial number and model number located on the bottom of the computer.



Computer major components



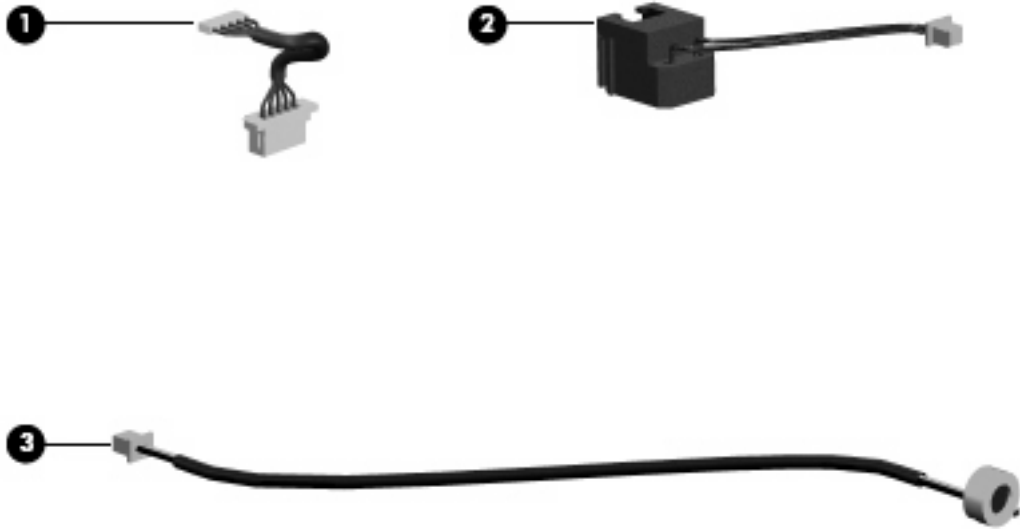
Item	Description	Spare part number
(1)	12.1-inch, WXGA display assembly (includes 2 WLAN antenna transceivers and cables)	454004-001
	Display internal components	
	Display bezel (includes nameplate)	455400-001
	Display inverter	454009-001
	Display hinges	454011-001
	Display enclosure (includes logo)	454398-001
(2)	Switch cover (includes LED board and cable)	454006-001
(3)	Keyboards (include keyboard cable)	
	For use in Japan	454017-291
	For use in South Korea	454017-AD1
	For use in Taiwan	454017-AB1
	For use in Thailand	454017-281
	For use in the United States	454017-001
(4)	Top cover (includes TouchPad and cable, and fingerprint reader board and cable)	453994-001
(5)	RTC battery	449137-001
(6)	Microphone (included in the Cable Kit, spare part number 454008-001. See Cable Kit on page 21 for more Cable Kit information.)	
(7)	Speaker assembly	457906-001
(8)	Bluetooth module	398393-002
	NOTE: The Bluetooth module spare part kit does not include a Bluetooth module cable. The Bluetooth module cable is included in the Cables Kit, spare part number 454008-001. See Cable Kit on page 21 for more Cable Kit information.	
	Plastics Kit (see Plastics Kit on page 22 for more Plastics Kit spare part information)	454010-001
(9a)	ExpressCard slot bezel	
(9b)	WLAN module compartment cover	
(9c)	Memory module compartment cover	
(9d)	Hard drive cover	
(10)	Front LED board (includes front LED board cable)	453996-001
(11)	System board (includes replacement thermal material)	453991-001
(12)	Modem modules	
	NOTE: The modem module spare part kits do not include a modem module cable. The modem module cable is included in the Cables Kit, spare part number 454008-001. See Cable Kit on page 21 for more Cable Kit information.	
	For use in all countries and regions except Japan and Asia Pacific countries and regions	451403-001
	For use only in Japan and Asia Pacific countries and regions	449139-001
(13)	ExpressCard assembly	457907-001

Item	Description	Spare part number
(14)	Processors (include replacement thermal material)	
	Intel Core 2 Duo processors (4-MB L2 cache, 800-MHz FSB):	
	• T7800 2.6-GHz processor	454016-001
	• T7700 2.4-GHz processor	446894-001
	• T7500 2.2-GHz processor	454015-001
	• T7300 2.0-GHz processor	446892-001
	• T7100 1.8-GHz processor (1-MB L2 cache)	446891-001
	Intel Celeron M processors (1-MB L2 cache, 533-MHz FSB):	
	• 540 1.86-GHz processor	454600-001
	• 530 1.73-GHz processor	454599-001
(15)	Heat sink (includes replacement thermal material)	453998-001
	Thermal Material Kit	445853-001
(16)	Fan	453999-001
(17)	Optical drives (include optical drive bezel and bracket)	
	DVD/CD-RW Combo Drive	454333-001
	DVD-ROM Drive	454334-001
	Optical Drive Bezel/Bracket Kit (not illustrated)	454000-001
(18)	Base enclosure (includes rubber feet)	453993-001
(19)	Batteries	
	8-cell, 73-WH	454002-001
	4-cell, 37-WH	454001-001
(20)	WLAN modules	
	Intel 802.11a/b/g/n WLAN modules:	
	• For use in Antigua and Barbuda, Argentina, Aruba, the Bahamas, Barbados, Bermuda, Brunei, Canada, the Cayman Islands, Chile, Colombia, Costa Rica, the Dominican Republic, Ecuador, El Salvador, Guam, Guatemala, Haiti, Honduras, Hong Kong, India, Indonesia, Malaysia, Mexico, Panama, Paraguay, Peru, Saudi Arabia, Taiwan, Uruguay, the United States, Venezuela, and Vietnam	441086-001
	• For use in Azerbaijan, Bahrain, Belgium, Brazil, Bulgaria, Croatia, Cyprus, the Czech Republic, Denmark, Egypt, Estonia, Finland, France, Georgia, Germany, Greece, Hungary, Iceland, Ireland, Israel, Italy, Latvia, Lebanon, Liechtenstein, Lithuania, Luxembourg, Malta, Monaco, the Netherlands, Norway, Oman, the Philippines, Poland, Portugal, Qatar, Romania, Russia, Serbia and Montenegro, Singapore, Slovakia, Slovenia, South Africa, Spain, Sri Lanka, Sweden, Switzerland, Turkey, Ukraine, the United Kingdom, and Uzbekistan	441086-002
	• For use in Australia, New Zealand, Pakistan, the People's Republic of China, and South Korea	441086-003
	• For use in Japan	441086-291
	Broadcom 802.11a/b/g WLAN modules:	

Item	Description	Spare part number
	<ul style="list-style-type: none"> For use in Afghanistan, Albania, Algeria, Andorra, Angola, Antigua and Barbuda, Argentina, Armenia, Aruba, Australia, Austria, Azerbaijan, the Bahamas, Bahrain, Bangladesh, Barbados, Belarus, Belgium, Belize, Benin, Bermuda, Bhutan, Bolivia, Bosnia and Herzegovina, Botswana, Brazil, the British Virgin Islands, Brunei, Bulgaria, Burkina Faso, Burundi, Cameroon, Cape Verde, the Central African Republic, Chad, Chile, People's Republic of China, Colombia, Comoros, the Congo, Costa Rica, Croatia, Cyprus, the Czech Republic, Denmark, Djibouti, Dominica, the Dominican Republic, East Timor, Ecuador, Egypt, El Salvador, Equatorial Guinea, Eritrea, Estonia, Ethiopia, Fiji, Finland, France, French Guiana, Gabon, Gambia, Georgia, Germany, Ghana, Gibraltar, Greece, Grenada, Guadeloupe, Guatemala, Guinea, Guinea-Bissa, Guyana, Haiti, Honduras, Hong Kong, Hungary, Iceland, India, Ireland, Israel, Italy, the Ivory Coast, Jamaica, Jordan, Kazakhstan, Kenya, Kiribati, Kyrgyzstan, Laos, Latvia, Lebanon, Lesotho, Liberia, Liechtenstein, Lithuania, Luxembourg, Macedonia, Madagascar, Malawi, Malaysia, the Maldives, Mali, Malta, the Marshall Islands, Martinique, Mauritania, Mauritius, Mexico, Micronesia, Monaco, Mongolia, Montenegro, Morocco, Mozambique, Namibia, Nauru, Nepal, the Nether Antilles, the Netherlands, New Zealand, Nicaragua, Niger, Nigeria, Norway, Oman, Pakistan, Palau, Panama, Papua New Guinea, Paraguay, Peru, the Philippines, Poland, Portugal, the Republic of Moldova, Romania, Russia, Rwanda, Samoa, San Marino, Sao Tome & Principe, Saudi Arabia, Senegal, Serbia and Montenegro, the Seychelles, Sierra Leone, Singapore, Slovakia, Slovenia, the Solomon Islands, Somalia, South Africa, South Korea, Spain, Sri Lanka, St. Kitts & Nevis, St. Lucia, St. Vincent & Grenada, Suriname, Swaziland, Sweden, Switzerland, Taiwan, Tajikistan, Tanzania, Togo, Tonga, Trinidad and Tobago, Tunisia, Turkey, Turkmenistan, Tuvalu, Uganda, Ukraine, the United Arab Emirates, the United Kingdom, Uruguay, Uzbekistan, Vanuatu, Venezuela, Vietnam, Yemen, Zaire, Zambia, and Zimbabwe 	441075-002
	<ul style="list-style-type: none"> For use in Japan 	441075-291
Intel 802.11a/b/g WLAN modules:		
	<ul style="list-style-type: none"> For use in Antigua & Barbuda, Argentina, Aruba, the Bahamas, Barbados, Bermuda, Brunei, Canada, the Cayman Islands, Chile, Colombia, Costa Rica, the Dominican Republic, Ecuador, El Salvador, Guam, Guatemala, Haiti, Honduras, Hong Kong, India, Indonesia, Malaysia, Mexico, Panama, Paraguay, Peru, Saudi Arabia, Taiwan, the United States, Uruguay, Venezuela, and Vietnam 	448674-001
	<ul style="list-style-type: none"> For use in Austria, Azerbaijan, Bahrain, Belgium, Brazil, Bulgaria, Croatia, Cyprus, the Czech Republic, Denmark, Egypt, Estonia, Finland, France, Georgia, Germany, Greece, Hungary, Iceland, Ireland, Israel, Italy, Latvia, Lebanon, Liechtenstein, Lithuania, Luxembourg, Malta, Monaco, the Netherlands, Norway, Oman, the Philippines, Poland, Portugal, Qatar, Romania, Russia, Serbia and Montenegro, Singapore, Slovakia, Slovenia, South Africa, Spain, Sri Lanka, Sweden, Switzerland, Turkey, Ukraine, the United Kingdom, and Uzbekistan 	448674-002
	<ul style="list-style-type: none"> For use in Australia, New Zealand, Pakistan, the People's Republic of China, and South Korea 	448674-003
	<ul style="list-style-type: none"> For use in Japan 	448674-291
Broadcom 802.11b/g WLAN modules:		
	<ul style="list-style-type: none"> For use in Afghanistan, Albania, Algeria, Andorra, Angola, Antigua & Barbuda, Argentina, Armenia, Aruba, Australia, Austria, Azerbaijan, the Bahamas, Bahrain, Bangladesh, Barbados, Belarus, Belgium, Belize, Benin, Bermuda, Bhutan, Bolivia, Bosnia & Herzegovina, Botswana, Brazil, the British Virgin Islands, Brunei, Bulgaria, Burkina Faso, Burundi, Cambodia, Cameroon, Cape Verde, the Central African Republic, Chad, Chile, Colombia, Comoros, the Congo, Costa Rica, Croatia, Cyprus, the Czech Republic, Denmark, Djibouti, Dominica, the Dominican Republic, East Timor, Ecuador, Egypt, El Salvador, Equatorial Guinea, Eritrea, Estonia, Ethiopia, Fiji, Finland, France, French Guiana, Gabon, Gambia, Georgia, Germany, Ghana, Gibraltar, Greece, Grenada, Guadeloupe, Guatemala, Guinea, Guinea-Bissa, Guyana, Haiti, Honduras, Hong Kong, Hungary, Iceland, India, Indonesia, Ireland, Israel, Italy, the Ivory Coast, Jamaica, Jordan, Kazakhstan, Kenya, Kiribati, Kuwait, Kyrgyzstan, Laos, Latvia, Lebanon, Lesotho, Liberia, 	441090-002

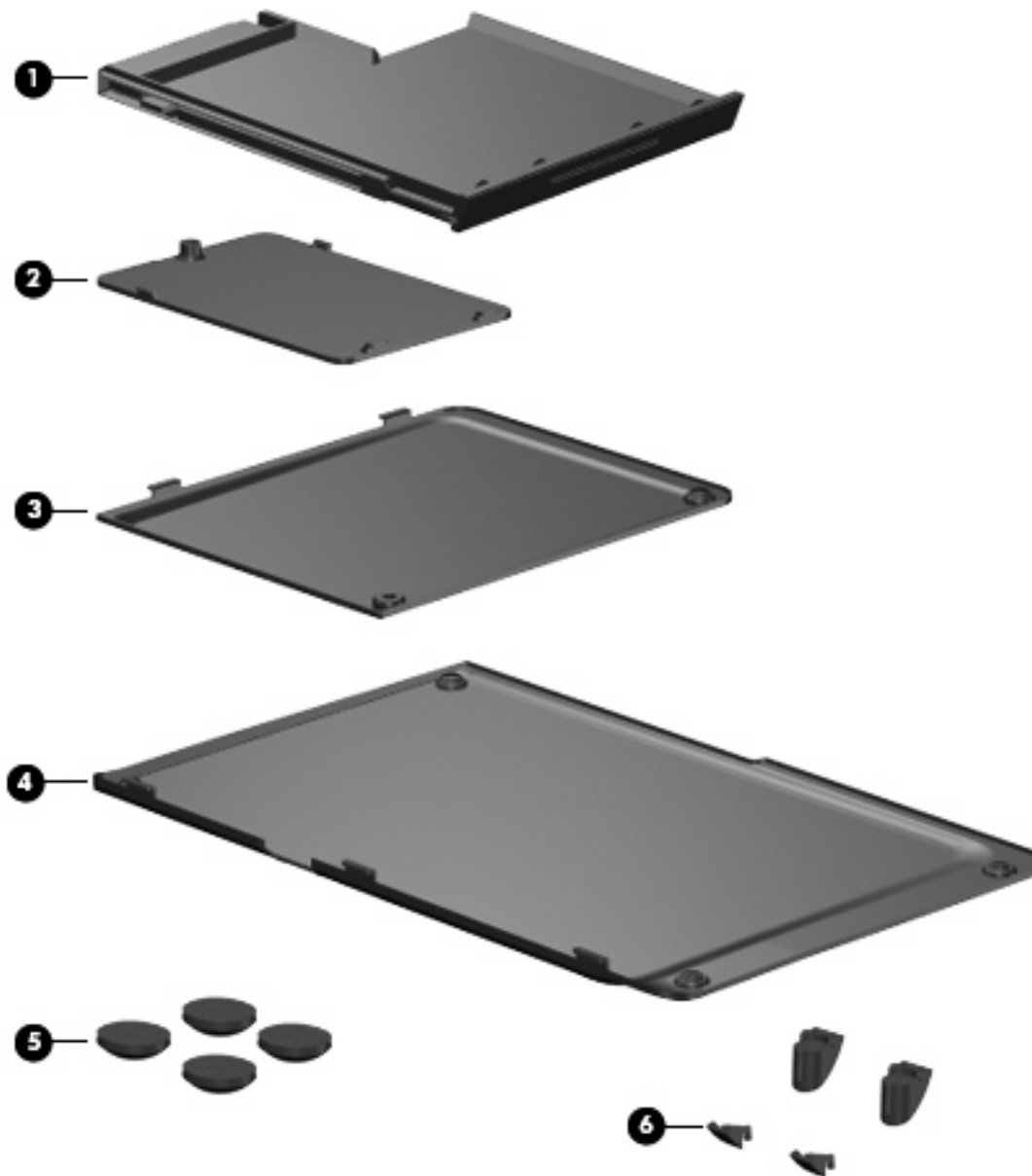
Item	Description	Spare part number
	Liechtenstein, Lithuania, Luxembourg, Macedonia, Madagascar, Malawi, Malaysia, the Maldives, Mali, Malta, the Marshall Islands, Martinique, Mauritania, Mauritius, Mexico, Micronesia, Monaco, Mongolia, Montenegro, Morocco, Mozambique, Namibia, Nauru, Nepal, the Nether Antilles, the Netherlands, New Zealand, Nicaragua, Niger, Nigeria, Norway, Oman, Palau, Panama, Papua New Guinea, Paraguay, the People's Republic of China, Peru, the Philippines, Poland, Portugal, Qatar, the Republic of Moldova, Romania, Russia, Rwanda, Samoa, San Marino, Sao Tome & Principe, Saudi Arabia, Senegal, Serbia and Montenegro, the Seychelles, Sierra Leone, Singapore, Slovakia, Slovenia, the Solomon Islands, Somalia, South Africa, South Korea, Spain, Sri Lanka, St. Kitts & Nevis, St. Lucia, St. Vincent & Grenada, Suriname, Swaziland, Sweden, Switzerland, Taiwan, Tajikistan, Tanzania, Thailand, Togo, Tonga, Trinidad & Tobago, Tunisia, Turkey, Turkmenistan, Tuvalu, Uganda, Ukraine, the United Arab Emirates, the United Kingdom, Uruguay, Uzbekistan, Vanuatu, Venezuela, Vietnam, Yemen, Zaire, Zambia, and Zimbabwe	
	<ul style="list-style-type: none"> For use in Japan 	441090-291
	Intel 802.11b/g WLAN module for use in Thailand	448675-004
(21)	Memory modules (PC2-5300, 667-MHz, DDR2)	
	2048-MB	417506-001
	1024-MB	414046-001
	512-MB	414045-001
(22)	Hard drives (include hard drive bracket)	
	200-GB, 4200-rpm	454338-001
	160-GB, 5400-rpm	454337-001
	120-GB, 5400-rpm	454336-001
	80-GB, 5400-rpm	454335-001
	Cable Kit (not illustrated)	454008-001

Cable Kit



Item	Description	Spare part number
	Cable Kit:	454008-001
(1)	Bluetooth module cable	
(2)	Modem module cable (includes RJ-11 jack)	
(3)	Microphone (includes receiver)	

Plastics Kit



Item	Description	Spare part number
	Plastics Kit:	454010-001
(1)	ExpressCard slot bezel	
(2)	WLAN module compartment cover (includes one captive screw, secured by a C-clip)	
(3)	Memory module compartment cover (includes one captive screw, secured by a C-clip)	
(4)	Hard drive cover (includes 2 captive screws, secured by C-clips)	

Item	Description	Spare part number
(5)	Computer feet (4)	
(6)	Base enclosure screw covers (4 covers, 2 sizes)	

Mass storage devices



Item	Description	Spare part number
(1)	Hard drives (include bracket)	
	200-GB, 4200-rpm	454338-001
	160-GB, 5400-rpm	454337-001
	120-GB, 5400-rpm	454336-001
	80-GB, 5400-rpm	454335-001
(2)	Optical drives (include bezel)	
	DVD/CD-RW Combo Drive	454333-001
	DVD-ROM Drive	454334-001

Miscellaneous parts

Description	Spare part number
65-W AC adapter	391172-001
Power cords:	
For use in Australia	246959-011
For use in Japan	246959-291
For use the United States	246959-001
Screw Kit	454014-001
<ul style="list-style-type: none">• Phillips PM3.0×4.0 screw• Phillips PM2.5×12.0 captive screw• Phillips PM2.5×7.0 captive screw• Phillips PM2.5×7.0 screw• Phillips PM2.5×6.0 screw• Phillips PM2.5×5.0 screw• Phillips PM2.5×4.0 screw• Phillips PM2.0×6.0 screw• Phillips PM2.0×6.0 shoulder screw• Phillips PM2.0×5.0 captive screw• Phillips PM2.0×3.0 screw• Torx T8M2.5×6.0 screw• Torx T8M2.5×5.0 screw	

Sequential part number listing

Spare part number	Description
246959-001	Power cord for use in the United States
246959-011	Power cord for use in Australia
246959-291	Power cord for use in Japan
391172-001	65-W AC adapter
398393-002	Bluetooth module NOTE: The Bluetooth module spare part kit does not include a Bluetooth module cable. The Bluetooth module cable is included in the Cables Kit, spare part number 454008-001. See Cable Kit on page 21 for more Cable Kit information.
414045-001	512-MB memory module (PC2-5300, 667-MHz, DDR2)
414046-001	1024-MB memory module (PC2-5300, 667-MHz, DDR2)
417506-001	2048-MB memory module (PC2-5300, 667-MHz, DDR2)
441075-002	Broadcom 802.11a/b/g module for use in Afghanistan, Albania, Algeria, Andorra, Angola, Antigua and Barbuda, Argentina, Armenia, Aruba, Australia, Austria, Azerbaijan, the Bahamas, Bahrain, Bangladesh, Barbados, Belarus, Belgium, Belize, Benin, Bermuda, Bhutan, Bolivia, Bosnia and Herzegovina, Botswana, Brazil, the British Virgin Islands, Brunei, Bulgaria, Burkina Faso, Burundi, Cameroon, Cape Verde, the Central African Republic, Chad, Chile, People's Republic of China, Colombia, Comoros, the Congo, Costa Rica, Croatia, Cyprus, the Czech Republic, Denmark, Djibouti, Dominica, the Dominican Republic, East Timor, Ecuador, Egypt, El Salvador, Equatorial Guinea, Eritrea, Estonia, Ethiopia, Fiji, Finland, France, French Guiana, Gabon, Gambia, Georgia, Germany, Ghana, Gibraltar, Greece, Grenada, Guadeloupe, Guatemala, Guinea, Guinea-Bissau, Guyana, Haiti, Honduras, Hong Kong, Hungary, Iceland, India, Ireland, Israel, Italy, the Ivory Coast, Jamaica, Jordan, Kazakhstan, Kenya, Kiribati, Kyrgyzstan, Laos, Latvia, Lebanon, Lesotho, Liberia, Liechtenstein, Lithuania, Luxembourg, Macedonia, Madagascar, Malawi, Malaysia, the Maldives, Mali, Malta, the Marshall Islands, Martinique, Mauritania, Mauritius, Mexico, Micronesia, Monaco, Mongolia, Montenegro, Morocco, Mozambique, Namibia, Nauru, Nepal, the Nether Antilles, the Netherlands, New Zealand, Nicaragua, Niger, Nigeria, Norway, Oman, Pakistan, Palau, Panama, Papua New Guinea, Paraguay, Peru, the Philippines, Poland, Portugal, the Republic of Moldova, Romania, Russia, Rwanda, Samoa, San Marino, Sao Tome & Principe, Saudi Arabia, Senegal, Serbia and Montenegro, the Seychelles, Sierra Leone, Singapore, Slovakia, Slovenia, the Solomon Islands, Somalia, South Africa, South Korea, Spain, Sri Lanka, St. Kitts & Nevis, St. Lucia, St. Vincent & Grenada, Suriname, Swaziland, Sweden, Switzerland, Taiwan, Tajikistan, Tanzania, Togo, Tonga, Trinidad and Tobago, Tunisia, Turkey, Turkmenistan, Tuvalu, Uganda, Ukraine, the United Arab Emirates, the United Kingdom, Uruguay, Uzbekistan, Vanuatu, Venezuela, Vietnam, Yemen, Zaire, Zambia, and Zimbabwe
441075-291	Broadcom 802.11a/b/g module for use in Japan
441082-001	Intel 802.11a/b/g module for use in Antigua & Barbuda, Argentina, Aruba, the Bahamas, Barbados, Bermuda, Brunei, Canada, the Cayman Islands, Chile, Colombia, Costa Rica, the Dominican Republic, Ecuador, El Salvador, Guam, Guatemala, Haiti, Honduras, Hong Kong, India, Indonesia, Malaysia, Mexico, Panama, Paraguay, Peru, Saudi Arabia, Taiwan, the United States, Uruguay, Venezuela, and Vietnam
441082-003	Intel 802.11a/b/g module for use in Australia, New Zealand, Pakistan, the People's Republic of China, and South Korea
441082-291	Intel 802.11a/b/g module for use in Japan
441086-002	Intel 802.11a/b/g module for use in Austria, Azerbaijan, Bahrain, Belgium, Brazil, Bulgaria, Croatia, Cyprus, the Czech Republic, Denmark, Egypt, Estonia, Finland, France, Georgia, Germany, Greece, Hungary, Iceland, Ireland, Israel, Italy, Latvia, Lebanon, Liechtenstein, Lithuania, Luxembourg, Malta, Monaco, the Netherlands, Norway, Oman, the Philippines, Poland, Portugal, Qatar, Romania, Russia, Serbia and Montenegro, Singapore, Slovakia, Slovenia, South Africa, Spain, Sri Lanka, Sweden, Switzerland, Turkey, Ukraine, the United Kingdom, and Uzbekistan

Spare part number	Description
441090-002	Broadcom 802.11b/g module for use in Afghanistan, Albania, Algeria, Andorra, Angola, Antigua & Barbuda, Argentina, Armenia, Aruba, Australia, Austria, Azerbaijan, the Bahamas, Bahrain, Bangladesh, Barbados, Belarus, Belgium, Belize, Benin, Bermuda, Bhutan, Bolivia, Bosnia & Herzegovina, Botswana, Brazil, the British Virgin Islands, Brunei, Bulgaria, Burkina Faso, Burundi, Cambodia, Cameroon, Cape Verde, the Central African Republic, Chad, Chile, Colombia, Comoros, the Congo, Costa Rica, Croatia, Cyprus, the Czech Republic, Denmark, Djibouti, Dominica, the Dominican Republic, East Timor, Ecuador, Egypt, El Salvador, Equatorial Guinea, Eritrea, Estonia, Ethiopia, Fiji, Finland, France, French Guiana, Gabon, Gambia, Georgia, Germany, Ghana, Gibraltar, Greece, Grenada, Guadeloupe, Guatemala, Guinea, Guinea-Bissa, Guyana, Haiti, Honduras, Hong Kong, Hungary, Iceland, India, Indonesia, Ireland, Israel, Italy, the Ivory Coast, Jamaica, Jordan, Kazakhstan, Kenya, Kiribati, Kuwait, Kyrgyzstan, Laos, Latvia, Lebanon, Lesotho, Liberia, Liechtenstein, Lithuania, Luxembourg, Macedonia, Madagascar, Malawi, Malaysia, the Maldives, Mali, Malta, the Marshall Islands, Martinique, Mauritania, Mauritius, Mexico, Micronesia, Monaco, Mongolia, Montenegro, Morocco, Mozambique, Namibia, Nauru, Nepal, the Nether Antilles, the Netherlands, New Zealand, Nicaragua, Niger, Nigeria, Norway, Oman, Palau, Panama, Papua New Guinea, Paraguay, the People's Republic of China, Peru, the Philippines, Poland, Portugal, Qatar, the Republic of Moldova, Romania, Russia, Rwanda, Samoa, San Marino, Sao Tome & Principe, Saudi Arabia, Senegal, Serbia and Montenegro, the Seychelles, Sierra Leone, Singapore, Slovakia, Slovenia, the Solomon Islands, Somalia, South Africa, South Korea, Spain, Sri Lanka, St. Kitts & Nevis, St. Lucia, St. Vincent & Grenada, Suriname, Swaziland, Sweden, Switzerland, Taiwan, Tajikistan, Tanzania, Thailand, Togo, Tonga, Trinidad & Tobago, Tunisia, Turkey, Turkmenistan, Tuvalu, Uganda, Ukraine, the United Arab Emirates, the United Kingdom, Uruguay, Uzbekistan, Vanuatu, Venezuela, Vietnam, Yemen, Zaire, Zambia, and Zimbabwe
441090-291	Broadcom 802.11b/g module for use in Japan
445853-001	Thermal Material Kit
446891-001	Intel Core 2 Duo T7100 1.80-GHz processor (2-MB L2 cache, 800-MHz FSB, includes replacement thermal material)
446892-001	Intel Core 2 Duo T7300 2.00-GHz processor (4-MB L2 cache, 800-MHz FSB, includes replacement thermal material)
446894-001	Intel Core 2 Duo T7700 2.40-GHz processor (4-MB L2 cache, 800-MHz FSB, includes replacement thermal material)
448674-001	Intel 802.11a/b/g module for use in Antigua & Barbuda, Argentina, Aruba, the Bahamas, Barbados, Bermuda, Brunei, Canada, the Cayman Islands, Chile, Colombia, Costa Rica, the Dominican Republic, Ecuador, El Salvador, Guam, Guatemala, Haiti, Honduras, Hong Kong, India, Indonesia, Malaysia, Mexico, Panama, Paraguay, Peru, Saudi Arabia, Taiwan, the United States, Uruguay, Venezuela, and Vietnam
448674-002	Intel 802.11a/b/g module for use in Austria, Azerbaijan, Bahrain, Belgium, Brazil, Bulgaria, Croatia, Cyprus, the Czech Republic, Denmark, Egypt, Estonia, Finland, France, Georgia, Germany, Greece, Hungary, Iceland, Ireland, Israel, Italy, Latvia, Lebanon, Liechtenstein, Lithuania, Luxembourg, Malta, Monaco, the Netherlands, Norway, Oman, the Philippines, Poland, Portugal, Qatar, Romania, Russia, Serbia and Montenegro, Singapore, Slovakia, Slovenia, South Africa, Spain, Sri Lanka, Sweden, Switzerland, Turkey, Ukraine, the United Kingdom, and Uzbekistan
448674-003	Intel 802.11a/b/g module for use in Australia, New Zealand, Pakistan, the People's Republic of China, and South Korea
448674-291	Intel 802.11a/b/g module for use in Japan
448675-004	Intel 802.11b/g module for use in Thailand
449137-001	RTC battery
449139-001	Modem module for use only in Japan and Asia Pacific countries and regions
	NOTE: The modem module spare part kits do not include a modem module cable. The modem module cable is included in the Cables Kit, spare part number 454008-001. See Cable Kit on page 21 for more Cable Kit information.
451403-001	Modem module for use in all countries and regions except Japan and Asia Pacific countries and regions

Spare part number	Description
	NOTE: The modem module spare part kits do not include a modem module cable. The modem module cable is included in the Cables Kit, spare part number 454008-001. See Cable Kit on page 21 for more Cable Kit information.
453991-001	System board (includes replacement thermal material)
453993-001	Base enclosure (includes rubber feet)
453994-001	Top cover (includes TouchPad and cable, and fingerprint reader board and cable)
453996-001	Front LED board
453998-001	Heat sink (includes replacement thermal material)
453999-001	Fan
454000-001	Optical Drive Bezel/Bracket Kit
454001-001	4-cell, 37-WH battery
454002-001	8-cell, 73-WH battery
454004-001	12.1-inch, WXGA, display assembly
454005-001	Switch cover
454008-001	Cable Kit
454009-001	Display inverter
454010-001	Plastics Kit
454011-001	Display hinges (includes left and right display hinges)
454014-001	Screw Kit
454015-001	Intel Core 2 Duo T7500 2.4-GHz processor (4-MB L2 cache, 800-MHz FSB, includes replacement thermal material)
454016-001	Intel Core 2 Duo T7800 2.6-GHz processor (4-MB L2 cache, 800-MHz FSB, includes replacement thermal material)
454017-001	Keyboard for use in the United States
454017-281	Keyboard for use in Thailand
454017-291	Keyboard for use in Japan
454017-AB1	Keyboard for use in Taiwan
454017-AD1	Keyboard for use in South Korea
454333-001	DVD/CD-RW Combo Drive
454334-001	DVD-ROM Drive
454335-001	80-GB, 5400-rpm hard drive (includes hard drive bracket)
454336-001	120-GB, 5400-rpm hard drive (includes hard drive bracket)
454337-001	160-GB, 5400-rpm hard drive (includes hard drive bracket)
454338-001	200-GB, 4200-rpm hard drive (includes hard drive bracket)
454398-001	Display enclosure (includes 2 WLAN transceivers and cables and logo)

Spare part number	Description
454599-001	Intel Celeron-M 530 1.73-GHz processor (1-MB L2 cache, 533-MHz FSB, includes replacement thermal material)
454600-001	Intel Celeron-M 540 1.86-GHz processor (1-MB L2 cache, 533-MHz FSB, includes replacement thermal material)
455400-001	Display bezel (includes nameplate)
455585-001	Miscellaneous Display Kit
455586-001	Display Cable Kit
456226-001	Fingerprint reader board
457906-001	Speakers
457907-001	ExpressCard assembly

4 Removal and replacement procedures

Preliminary replacement requirements


Tools required

You will need the following tools to complete the removal and replacement procedures:

- Flat-bladed screwdriver
- Magnetic screwdriver
- Phillips P0 and P1 screwdrivers
- Torx T8 screwdriver

Service considerations

The following sections include some of the considerations that you must keep in mind during disassembly and assembly procedures.

 **NOTE:** As you remove each subassembly from the computer, place the subassembly (and all accompanying screws) away from the work area to prevent damage.

Plastic parts

Using excessive force during disassembly and reassembly can damage plastic parts. Use care when handling the plastic parts. Apply pressure only at the points designated in the maintenance instructions.

Cables and connectors

-
- △ **CAUTION:** When servicing the computer, be sure that cables are placed in their proper locations during the reassembly process. Improper cable placement can damage the computer.
-

Cables must be handled with extreme care to avoid damage. Apply only the tension required to unseat or seat the cables during removal and insertion. Handle cables by the connector whenever possible. In all cases, avoid bending, twisting, or tearing cables. Be sure that cables are routed in such a way that they cannot be caught or snagged by parts being removed or replaced. Handle flex cables with extreme care; these cables tear easily.

Drive handling

-
- △ **CAUTION:** Drives are fragile components that must be handled with care. To prevent damage to the computer, damage to a drive, or loss of information, observe these precautions:
-

Before removing or inserting a hard drive, shut down the computer. If you are unsure whether the computer is off or in Hibernation, turn the computer on, and then shut it down through the operating system.

Before handling a drive, be sure that you are discharged of static electricity. While handling a drive, avoid touching the connector.

Before removing a diskette drive or optical drive, be sure that a diskette or disc is not in the drive and be sure that the optical drive tray is closed.

Handle drives on surfaces covered with at least one inch of shock-proof foam.

Avoid dropping drives from any height onto any surface.

After removing a hard drive, an optical drive, or a diskette drive, place it in a static-proof bag.

Avoid exposing a hard drive to products that have magnetic fields, such as monitors or speakers.

Avoid exposing a drive to temperature extremes or liquids.

If a drive must be mailed, place the drive in a bubble pack mailer or other suitable form of protective packaging and label the package "FRAGILE."

Grounding guidelines

Electrostatic discharge damage

Electronic components are sensitive to electrostatic discharge (ESD). Circuitry design and structure determine the degree of sensitivity. Networks built into many integrated circuits provide some protection, but in many cases, ESD contains enough power to alter device parameters or melt silicon junctions.

A discharge of static electricity from a finger or other conductor can destroy static-sensitive devices or microcircuitry. Even if the spark is neither felt nor heard, damage may have occurred.

An electronic device exposed to ESD may not be affected at all and can work perfectly throughout a normal cycle. Or the device may function normally for a while, then degrade in the internal layers, reducing its life expectancy.

△ **CAUTION:** To prevent damage to the computer when you are removing or installing internal components, observe these precautions:

Keep components in their electrostatic-safe containers until you are ready to install them.

Use nonmagnetic tools.

Before touching an electronic component, discharge static electricity by using the guidelines described in this section.

Avoid touching pins, leads, and circuitry. Handle electronic components as little as possible.

If you remove a component, place it in an electrostatic-safe container.

The following table shows how humidity affects the electrostatic voltage levels generated by different activities.

△ **CAUTION:** A product can be degraded by as little as 700 V.

Typical electrostatic voltage levels			
Event	Relative humidity		
	10%	40%	55%
Walking across carpet	35,000 V	15,000 V	7,500 V
Walking across vinyl floor	12,000 V	5,000 V	3,000 V
Motions of bench worker	6,000 V	800 V	400 V
Removing DIPS from plastic tube	2,000 V	700 V	400 V
Removing DIPS from vinyl tray	11,500 V	4,000 V	2,000 V
Removing DIPS from Styrofoam	14,500 V	5,000 V	3,500 V
Removing bubble pack from PCB	26,500 V	20,000 V	7,000 V
Packing PCBs in foam-lined box	21,000 V	11,000 V	5,000 V

Packaging and transporting guidelines

Follow these grounding guidelines when packaging and transporting equipment:

- To avoid hand contact, transport products in static-safe tubes, bags, or boxes.
- Protect ESD-sensitive parts and assemblies with conductive or approved containers or packaging.
- Keep ESD-sensitive parts in their containers until the parts arrive at static-free workstations.
- Place items on a grounded surface before removing items from their containers.
- Always be properly grounded when touching a component or assembly.
- Store reusable ESD-sensitive parts from assemblies in protective packaging or nonconductive foam.
- Use transporters and conveyors made of antistatic belts and roller bushings. Be sure that mechanized equipment used for moving materials is wired to ground and that proper materials are selected to avoid static charging. When grounding is not possible, use an ionizer to dissipate electric charges.

Workstation guidelines

Follow these grounding workstation guidelines:

- Cover the workstation with approved static-shielding material.
- Use a wrist strap connected to a properly grounded work surface and use properly grounded tools and equipment.
- Use conductive field service tools, such as cutters, screwdrivers, and vacuums.
- When fixtures must directly contact dissipative surfaces, use fixtures made only of static-safe materials.
- Keep the work area free of nonconductive materials, such as ordinary plastic assembly aids and Styrofoam.
- Handle ESD-sensitive components, parts, and assemblies by the case or PCM laminate. Handle these items only at static-free workstations.
- Avoid contact with pins, leads, or circuitry.
- Turn off power and input signals before inserting or removing connectors or test equipment.

Equipment guidelines

Grounding equipment must include either a wrist strap or a foot strap at a grounded workstation.

- When seated, wear a wrist strap connected to a grounded system. Wrist straps are flexible straps with a minimum of one megohm $\pm 10\%$ resistance in the ground cords. To provide proper ground, wear a strap snugly against the skin at all times. On grounded mats with banana-plug connectors, use alligator clips to connect a wrist strap.
- When standing, use foot straps and a grounded floor mat. Foot straps (heel, toe, or boot straps) can be used at standing workstations and are compatible with most types of shoes or boots. On conductive floors or dissipative floor mats, use foot straps on both feet with a minimum of one megohm resistance between the operator and ground. To be effective, the conductive strips must be worn in contact with the skin.

The following grounding equipment is recommended to prevent electrostatic damage:

- Antistatic tape
- Antistatic smocks, aprons, and sleeve protectors
- Conductive bins and other assembly or soldering aids
- Nonconductive foam
- Conductive tabletop workstations with ground cords of one megohm resistance
- Static-dissipative tables or floor mats with hard ties to the ground
- Field service kits
- Static awareness labels
- Material-handling packages
- Nonconductive plastic bags, tubes, or boxes
- Metal tote boxes
- Electrostatic voltage levels and protective materials

The following table lists the shielding protection provided by antistatic bags and floor mats.

Material	Use	Voltage protection level
Antistatic plastic	Bags	1,500 V
Carbon-loaded plastic	Floor mats	7,500 V
Metallized laminate	Floor mats	5,000 V

Unknown user password

If the computer you are servicing has an unknown user password, follow these steps to clear the password:

 **NOTE:** These steps also clear CMOS.

1. Shut down the computer. If you are unsure whether the computer is off or in Hibernation, turn the computer on, and then shut it down through the operating system.
2. Disconnect all external devices connected to the computer.
3. Disconnect the power from the computer by first unplugging the power cord from the AC outlet and then unplugging the AC adapter from the computer.
4. Remove the battery (see [Battery on page 37](#)).
5. Remove the real-time clock (RTC) battery (see [RTC battery on page 58](#)).
6. Wait approximately 5 minutes.
7. Replace the RTC battery and reassemble the computer.
8. Connect AC power to the computer. Do not reinsert any batteries at this time.
9. Turn on the computer.

All passwords and all CMOS settings have been cleared.

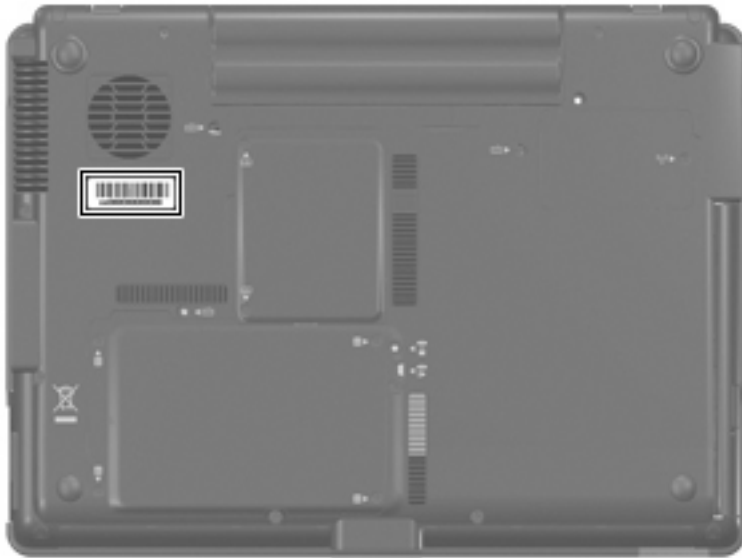
Component replacement procedures

This chapter provides removal and replacement procedures.

There are as many as 84 screws, in 15 different sizes, that must be removed, replaced, or loosened when servicing the computer. Make special note of each screw size and location during removal and replacement.

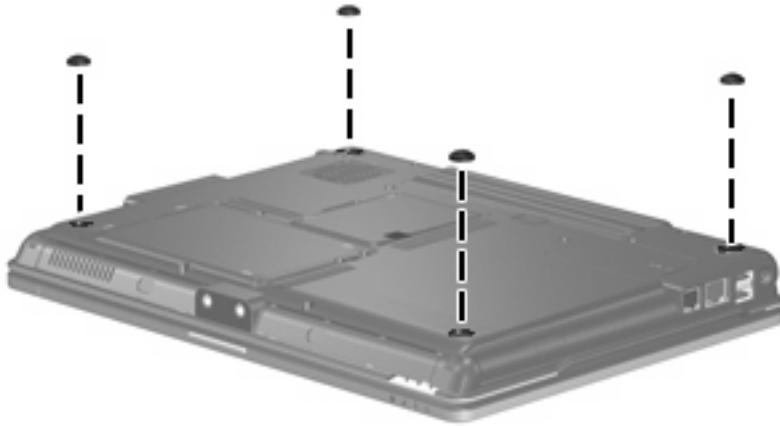
Serial number

Report the computer serial number to HP when requesting information or ordering spare parts. The serial number is located on the bottom of the computer.



Computer feet

The computer feet are adhesive-backed rubber pads. The feet are included in the Plastics Kit, spare part number 454010-001. There are 4 rubber feet that attach to the base enclosure in the locations illustrated below.



Battery

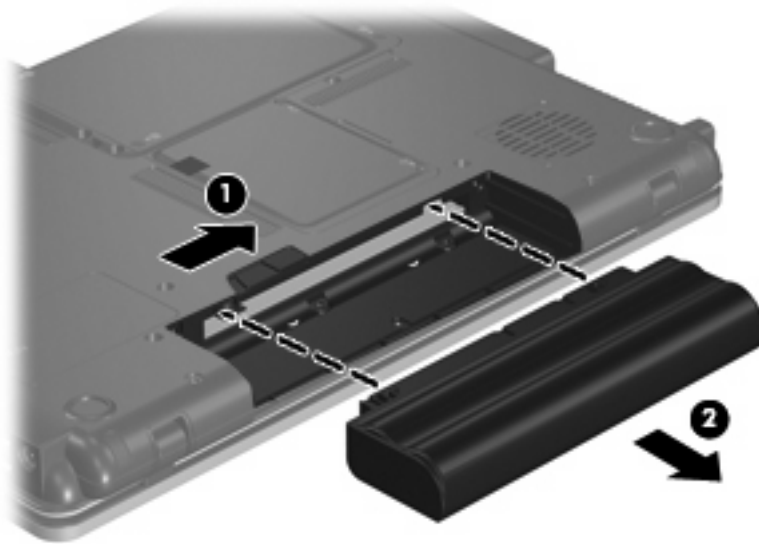
Description	Spare part number
8-cell, 2.55-Ah (73-Wh) Li-ion battery	454002-001
4-cell, 2.20-Ah (37-Wh) Li-ion battery	454001-001

Before disassembling the computer, follow these steps:

1. Shut down the computer. If you are unsure whether the computer is off or in Hibernation, turn the computer on, and then shut it down through the operating system.
2. Disconnect all external devices connected to the computer.
3. Disconnect the power from the computer by first unplugging the power cord from the AC outlet and then unplugging the AC adapter from the computer.


Remove the battery:

1. Turn the computer upside down on a flat surface, with the battery bay toward you.
2. Slide the battery release latch **(1)** to release the battery.
3. Remove the battery **(2)** from the computer.



Install the battery by inserting it into the battery bay until you hear a click.

Hard drive

 **NOTE:** All hard drive spare part kits include a hard drive bracket.

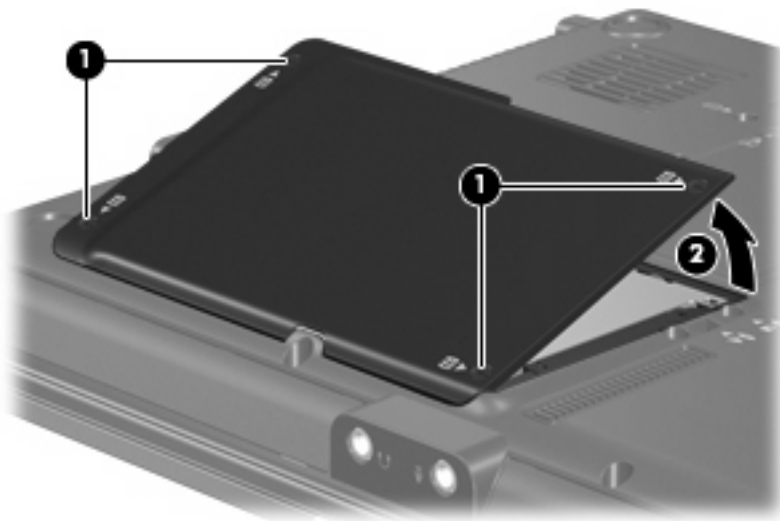
Description	Spare part number
200-GB, 4200-rpm hard drive	454338-001
160-GB, 5400-rpm hard drive	454337-001
120-GB, 5400-rpm hard drive	454336-001
80-GB, 5400-rpm hard drive	454335-001

Before removing the hard drive, follow these steps:

1. Shut down the computer. If you are unsure whether the computer is off or in Hibernation, turn the computer on, and then shut it down through the operating system.
2. Disconnect all external devices connected to the computer.
3. Disconnect the power from the computer by first unplugging the power cord from the AC outlet and then unplugging the AC adapter from the computer.
4. Remove the battery (see [Battery on page 37](#)).

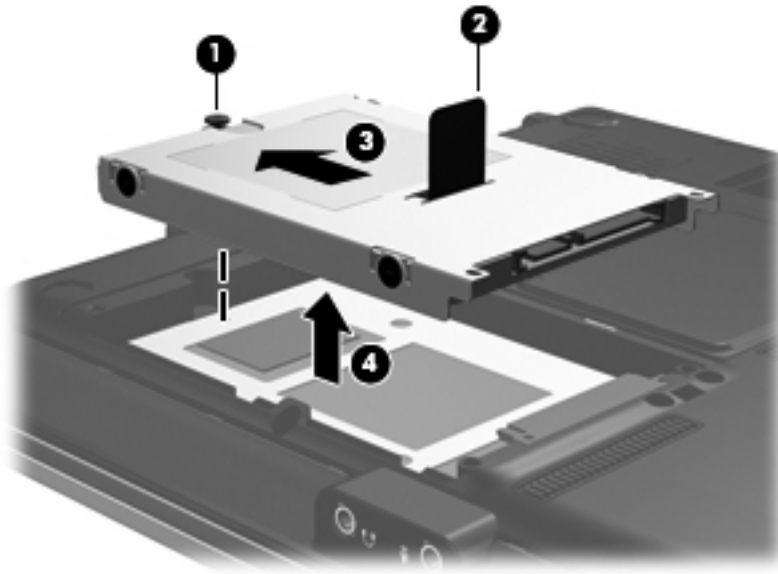
Remove the hard drive:

1. Position the computer with the front toward you.
2. Loosen the four Phillips PM2.0×5.0 captive screws **(1)** that secure the hard drive cover to the computer.
3. Lift the rear edge of the hard drive cover **(2)**, swing it up and forward, and remove the cover. The hard drive cover is included in the Plastics Kit, spare part number 454010-001.

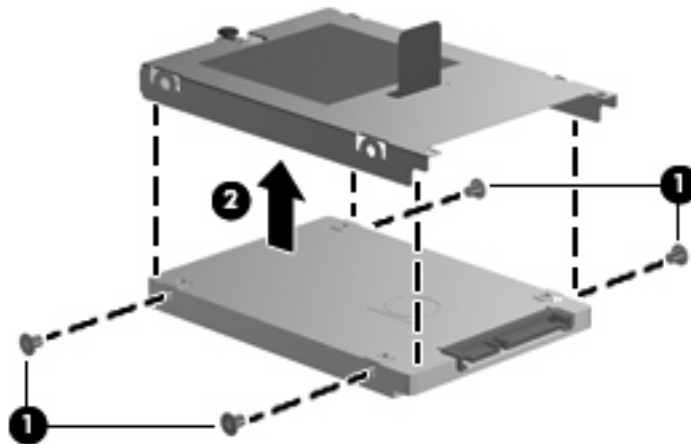


4. Loosen the Phillips PM2.5×12.0 captive screw **(1)** that secures the hard drive to the computer.

5. Grasp the Mylar tab **(2)** on the hard drive and slide the hard drive **(3)** to the left to disconnect it from the system board.
6. Remove the hard drive **(4)** from the hard drive bay.



7. If it is necessary to replace the hard drive bracket, remove the two Phillips PM3.0×4.0 hard drive bracket screws **(1)** from each side of the hard drive.
8. Lift the bracket **(2)** straight up to remove it from the hard drive.



Reverse this procedure to reassemble and install the hard drive.

Memory module

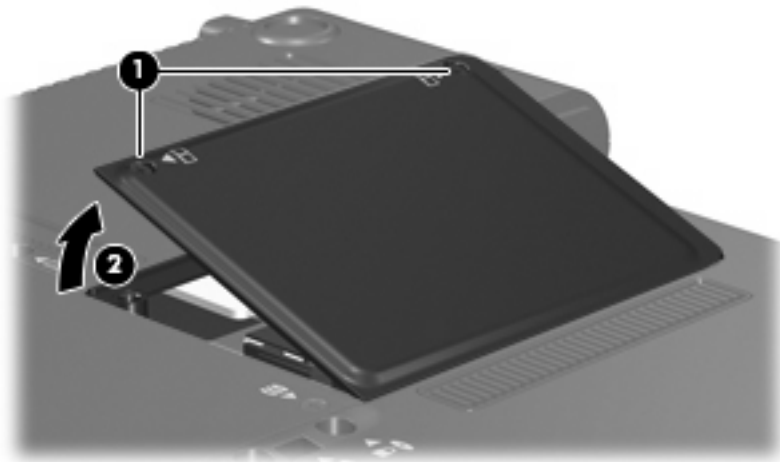
Description	Spare part number
2048-MB (PC2-5300, 667-MHz, DDR2)	417506-001
1024-MB (PC2-5300, 667-MHz, DDR2)	414046-001
512-MB (PC2-5300, 667-MHz, DDR2)	414045-001

Before removing the memory module, follow these steps:

1. Shut down the computer. If you are unsure whether the computer is off or in Hibernation, turn the computer on, and then shut it down through the operating system.
2. Disconnect all external devices connected to the computer.
3. Disconnect the power from the computer by first unplugging the power cord from the AC outlet and then unplugging the AC adapter from the computer.
4. Remove the battery (see [Battery on page 37](#)).


Remove the memory module:

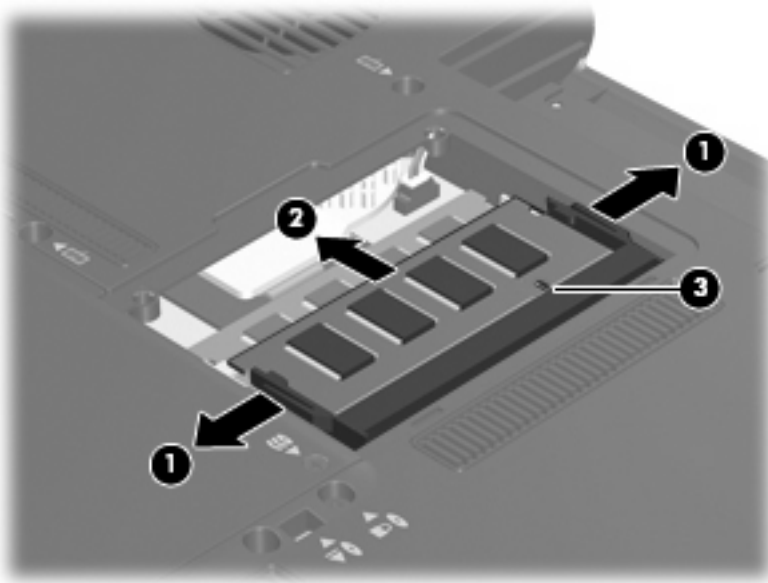
1. Position the computer with the front toward you.
2. Loosen the two Phillips PM2.0×5.0 captive screws **(1)** that secure the memory module compartment cover to the computer.
3. Lift the left side of the cover **(2)**, swing it up and to the right, and remove the cover. The memory module compartment cover is included in the Plastics Kit, spare part number 454010-001.



4. Spread the retaining tabs **(1)** on each side of the memory module slot to release the memory module. (The edge of the module opposite the slot rises away from the computer.)

5. Remove the memory module **(2)** by pulling the module away from the slot at an angle.

 **NOTE:** Memory modules are designed with a notch **(3)** to prevent incorrect installation into the memory module slot.



Reverse this procedure to install a memory module.

WLAN module

△ **CAUTION:** The WLAN module and the WWAN module are not interchangeable.

Description	Spare part number
Intel 802.11 a/b/g/n WLAN modules:	
<ul style="list-style-type: none"> For use in Antigua and Barbuda, Argentina, Aruba, the Bahamas, Barbados, Bermuda, Brunei, Canada, the Cayman Islands, Chile, Colombia, Costa Rica, the Dominican Republic, Ecuador, El Salvador, Guam, Guatemala, Haiti, Honduras, Hong Kong, India, Indonesia, Malaysia, Mexico, Panama, Paraguay, Peru, Saudi Arabia, Taiwan, Uruguay, the United States, Venezuela, and Vietnam 	441086-001
<ul style="list-style-type: none"> For use in Austria, Azerbaijan, Bahrain, Belgium, Brazil, Bulgaria, Croatia, Cyprus, the Czech Republic, Denmark, Egypt, Estonia, Finland, France, Georgia, Germany, Greece, Hungary, Iceland, Ireland, Israel, Italy, Latvia, Lebanon, Liechtenstein, Lithuania, Luxembourg, Malta, Monaco, the Netherlands, Norway, Oman, the Philippines, Poland, Portugal, Qatar, Romania, Russia, Serbia and Montenegro, Singapore, Slovakia, Slovenia, South Africa, Spain, Sri Lanka, Sweden, Switzerland, Turkey, Ukraine, the United Kingdom, and Uzbekistan 	441086-002
<ul style="list-style-type: none"> For use in Australia, New Zealand, Pakistan, the People's Republic of China, and South Korea 	441086-003
<ul style="list-style-type: none"> For use in Japan 	441086-291
Broadcom 802.11 a/b/g WLAN modules:	
<ul style="list-style-type: none"> For use in Afghanistan, Albania, Algeria, Andorra, Angola, Antigua and Barbuda, Argentina, Armenia, Aruba, Australia, Austria, Azerbaijan, the Bahamas, Bahrain, Bangladesh, Barbados, Belarus, Belgium, Belize, Benin, Bermuda, Bhutan, Bolivia, Bosnia and Herzegovina, Botswana, Brazil, the British Virgin Islands, Brunei, Bulgaria, Burkina Faso, Burundi, Cameroon, Cape Verde, the Central African Republic, Chad, Chile, People's Republic of China, Colombia, Comoros, the Congo, Costa Rica, Croatia, Cyprus, the Czech Republic, Denmark, Djibouti, Dominica, the Dominican Republic, East Timor, Ecuador, Egypt, El Salvador, Equatorial Guinea, Eritrea, Estonia, Ethiopia, Fiji, Finland, France, French Guiana, Gabon, Gambia, Georgia, Germany, Ghana, Gibraltar, Greece, Grenada, Guadeloupe, Guatemala, Guinea, Guinea-Bissau, Guyana, Haiti, Honduras, Hong Kong, Hungary, Iceland, India, Ireland, Israel, Italy, the Ivory Coast, Jamaica, Jordan, Kazakhstan, Kenya, Kiribati, Kyrgyzstan, Laos, Latvia, Lebanon, Lesotho, Liberia, Liechtenstein, Lithuania, Luxembourg, Macedonia, Madagascar, Malawi, Malaysia, the Maldives, Mali, Malta, the Marshall Islands, Martinique, Mauritania, Mauritius, Mexico, Micronesia, Monaco, Mongolia, Montenegro, Morocco, Mozambique, Namibia, Nauru, Nepal, the Nether Antilles, the Netherlands, New Zealand, Nicaragua, Niger, Nigeria, Norway, Oman, Pakistan, Palau, Panama, Papua New Guinea, Paraguay, Peru, the Philippines, Poland, Portugal, the Republic of Moldova, Romania, Russia, Rwanda, Samoa, San Marino, Sao Tome & Principe, Saudi Arabia, Senegal, Serbia and Montenegro, the Seychelles, Sierra Leone, Singapore, Slovakia, Slovenia, the Solomon Islands, Somalia, South Africa, South Korea, Spain, Sri Lanka, St. Kitts & Nevis, St. Lucia, St. Vincent & Grenada, Suriname, Swaziland, Sweden, Switzerland, Taiwan, Tajikistan, Tanzania, Togo, Tonga, Trinidad and Tobago, Tunisia, Turkey, Turkmenistan, Tuvalu, Uganda, Ukraine, the United Arab Emirates, the United Kingdom, Uruguay, Uzbekistan, Vanuatu, Venezuela, Vietnam, Yemen, Zaire, Zambia, and Zimbabwe 	441075-002
<ul style="list-style-type: none"> For use in Japan 	441075-291
Intel 802.11 a/b/g WLAN modules:	
<ul style="list-style-type: none"> For use in Antigua & Barbuda, Argentina, Aruba, the Bahamas, Barbados, Bermuda, Brunei, Canada, the Cayman Islands, Chile, Colombia, Costa Rica, the Dominican Republic, Ecuador, El Salvador, Guam, Guatemala, Haiti, Honduras, Hong Kong, India, Indonesia, Malaysia, Mexico, Panama, Paraguay, Peru, Saudi Arabia, Taiwan, the United States, Uruguay, Venezuela, and Vietnam 	448674-001
<ul style="list-style-type: none"> For use in Austria, Azerbaijan, Bahrain, Belgium, Brazil, Bulgaria, Croatia, Cyprus, the Czech Republic, Denmark, Egypt, Estonia, Finland, France, Georgia, Germany, Greece, Hungary, Iceland, Ireland, Israel, Italy, Latvia, Lebanon, Liechtenstein, Lithuania, Luxembourg, Malta, Monaco, the Netherlands, Norway, Oman, the Philippines, Poland, Portugal, Qatar, Romania, 	448674-002

Description	Spare part number
Russia, Serbia and Montenegro, Singapore, Slovakia, Slovenia, South Africa, Spain, Sri Lanka, Sweden, Switzerland, Turkey, Ukraine, the United Kingdom, and Uzbekistan	
<ul style="list-style-type: none"> For use in Australia, New Zealand, Pakistan, the People's Republic of China, and South Korea 	448674-003
<ul style="list-style-type: none"> For use in Japan 	448674-291
Broadcom 802.11b/g WLAN modules:	
<ul style="list-style-type: none"> For use in Afghanistan, Albania, Algeria, Andorra, Angola, Antigua & Barbuda, Argentina, Armenia, Aruba, Australia, Austria, Azerbaijan, the Bahamas, Bahrain, Bangladesh, Barbados, Belarus, Belgium, Belize, Benin, Bermuda, Bhutan, Bolivia, Bosnia & Herzegovina, Botswana, Brazil, the British Virgin Islands, Brunei, Bulgaria, Burkina Faso, Burundi, Cambodia, Cameroon, Cape Verde, the Central African Republic, Chad, Chile, Colombia, Comoros, the Congo, Costa Rica, Croatia, Cyprus, the Czech Republic, Denmark, Djibouti, Dominica, the Dominican Republic, East Timor, Ecuador, Egypt, El Salvador, Equatorial Guinea, Eritrea, Estonia, Ethiopia, Fiji, Finland, France, French Guiana, Gabon, Gambia, Georgia, Germany, Ghana, Gibraltar, Greece, Grenada, Guadeloupe, Guatemala, Guinea, Guinea-Bissa, Guyana, Haiti, Honduras, Hong Kong, Hungary, Iceland, India, Indonesia, Ireland, Israel, Italy, the Ivory Coast, Jamaica, Jordan, Kazakhstan, Kenya, Kiribati, Kuwait, Kyrgyzstan, Laos, Latvia, Lebanon, Lesotho, Liberia, Liechtenstein, Lithuania, Luxembourg, Macedonia, Madagascar, Malawi, Malaysia, the Maldives, Mali, Malta, the Marshall Islands, Martinique, Mauritania, Mauritius, Mexico, Micronesia, Monaco, Mongolia, Montenegro, Morocco, Mozambique, Namibia, Nauru, Nepal, the Nether Antilles, the Netherlands, New Zealand, Nicaragua, Niger, Nigeria, Norway, Oman, Palau, Panama, Papua New Guinea, Paraguay, the People's Republic of China, Peru, the Philippines, Poland, Portugal, Qatar, the Republic of Moldova, Romania, Russia, Rwanda, Samoa, San Marino, Sao Tome & Principe, Saudi Arabia, Senegal, Serbia and Montenegro, the Seychelles, Sierra Leone, Singapore, Slovakia, Slovenia, the Solomon Islands, Somalia, South Africa, South Korea, Spain, Sri Lanka, St. Kitts & Nevis, St. Lucia, St. Vincent & Grenada, Suriname, Swaziland, Sweden, Switzerland, Taiwan, Tajikistan, Tanzania, Thailand, Togo, Tonga, Trinidad & Tobago, Tunisia, Turkey, Turkmenistan, Tuvalu, Uganda, Ukraine, the United Arab Emirates, the United Kingdom, Uruguay, Uzbekistan, Vanuatu, Venezuela, Vietnam, Yemen, Zaire, Zambia, and Zimbabwe 	441090-002
<ul style="list-style-type: none"> For use in Japan 	441090-291
Intel 802.11b/g WLAN module for use in Japan	448675-004

Before removing the WLAN module, follow these steps:

1. Shut down the computer. If you are unsure whether the computer is off or in Hibernation, turn the computer on, and then shut it down through the operating system.
2. Disconnect all external devices connected to the computer.
3. Disconnect the power from the computer by first unplugging the power cord from the AC outlet and then unplugging the AC adapter from the computer.
4. Remove the battery (see [Battery on page 37](#)).


Remove the WLAN module:

1. Position the computer with the front toward you.
2. Loosen the Phillips PM2.0x5.0 captive screw **(1)** that secures the WLAN module compartment cover to the computer.


3. Lift the right side of the cover, swing it up and to the left, and remove the cover.

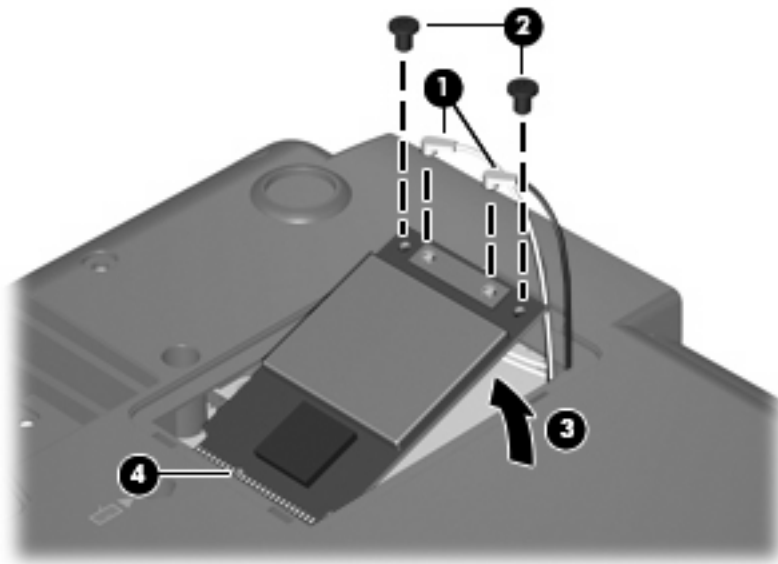


4. Disconnect the WLAN antenna cables (**1**) from the terminals on the WLAN module.

 **NOTE:** The black WLAN antenna cable is connected to the WLAN module “Main” terminal. The white WLAN antenna cable is connected to the WLAN module “Aux” terminal.


5. Remove the two Phillips PM2.5×4.0 screws (**2**) that secure the WLAN module to the computer. (The edge of the module opposite the slot rises away from the computer.)
6. Remove the WLAN module (**3**) by pulling the module away from the slot at an angle.

 **NOTE:** WLAN modules are designed with a notch (**4**) to prevent incorrect installation.



Reverse this procedure to install the WLAN module.

Optical drive

 **NOTE:** All optical drive spare part kits include an optical drive bezel.

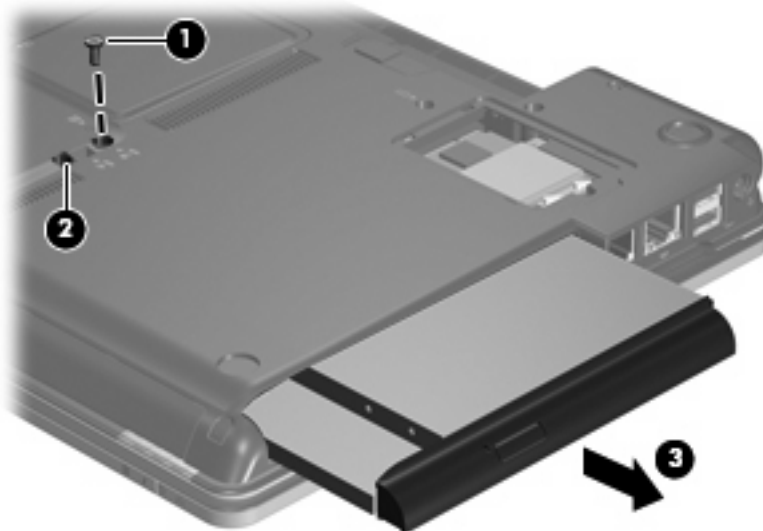
Description	Spare part number
DVD/CD-RW Combo Drive	454333-001
DVD-ROM Drive	454334-001

Before removing the optical drive, follow these steps:

1. Shut down the computer. If you are unsure whether the computer is off or in Hibernation, turn the computer on, and then shut it down through the operating system.
2. Disconnect all external devices connected to the computer.
3. Disconnect the power from the computer by first unplugging the power cord from the AC outlet and then unplugging the AC adapter from the computer.
4. Remove the battery (see [Battery on page 37](#)).

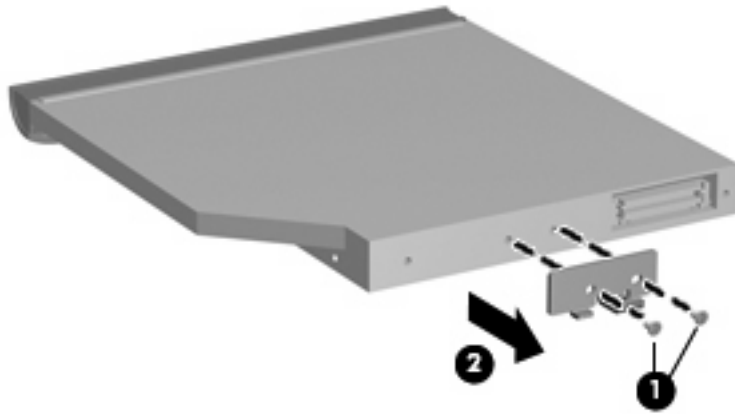
Remove the optical drive:

1. Position the computer with the right side toward you.
2. Remove the Torx T8M2.5×7.0 screw **(1)** that secures the optical drive to the computer.
3. Insert a flat-bladed screwdriver or similar tool into the optical drive tab access **(2)** and press the tab to the right to release the optical drive from the computer.
4. Remove the optical drive **(3)** from the computer.



5. If it is necessary to replace the optical drive bracket, position the optical drive with the rear toward you.
6. Remove the two Phillips PM2.0×4.0 screws **(1)** that secure the optical drive bracket to the optical drive.

7. Remove the optical drive bracket **(2)**.



Reverse this procedure to reassemble and install an optical drive.

Keyboard

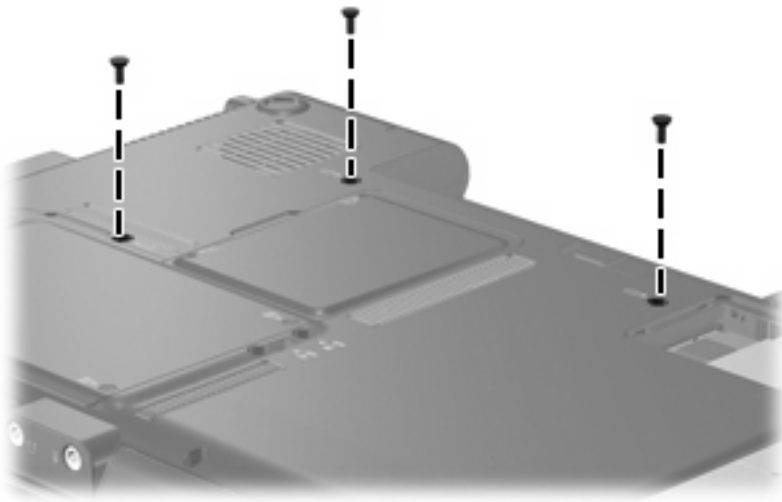
For use in:	Spare part number	For use in:	Spare part number
Japan	454017-291	Thailand	454017-281
Korea	454017-AD1	The United States	454017-001
Taiwan	454017-AB1		

Before removing the keyboard, follow these steps:

1. Shut down the computer. If you are unsure whether the computer is off or in Hibernation, turn the computer on, and then shut it down through the operating system.
2. Disconnect all external devices connected to the computer.
3. Disconnect the power from the computer by first unplugging the power cord from the AC outlet and then unplugging the AC adapter from the computer.
4. Remove the battery (see [Battery on page 37](#)).

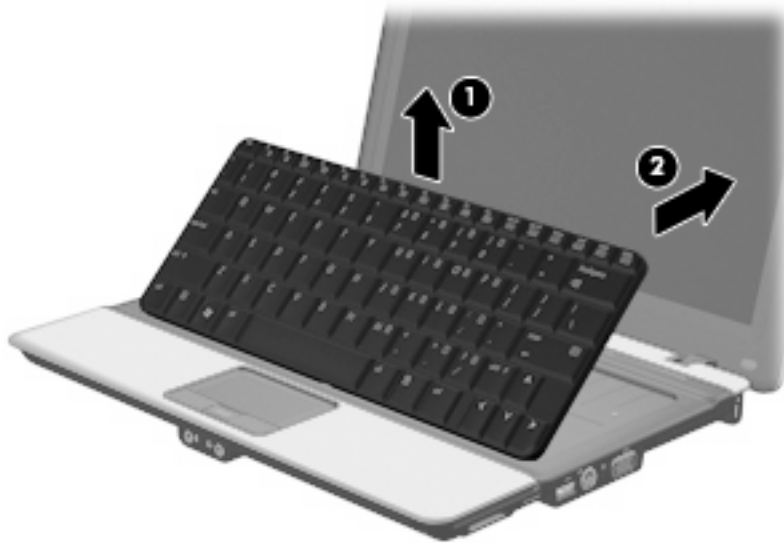
Remove the keyboard:

1. Turn the computer upside down, with the front toward you.
2. Loosen the three Phillips PM2.5×7.0 captive screws that secure the keyboard to the computer.

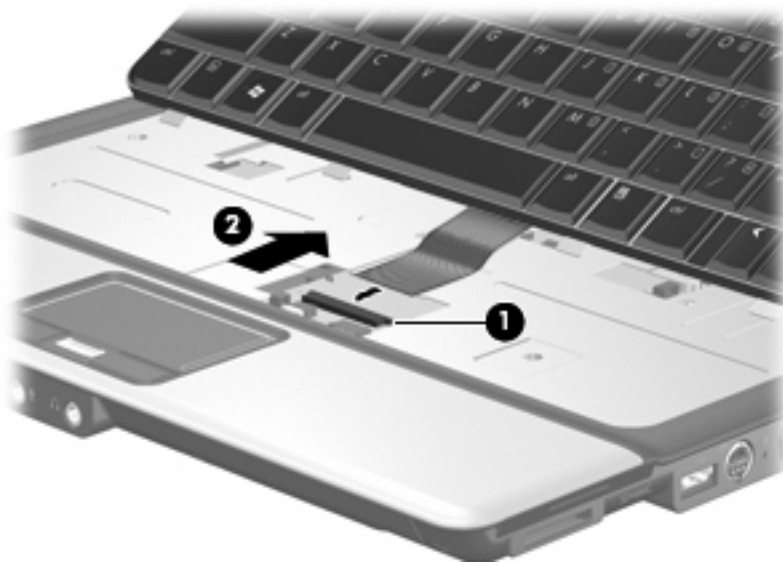


3. Turn the computer display-side up, with the front toward you.
4. Open the computer as far as possible.
5. Lift the rear edge of the keyboard **(1)** until it rests at an angle.

6. Move the keyboard **(2)** toward the display until the tabs on the keyboard bottom edge disengage from the top cover.



7. Release the zero insertion force (ZIF) connector **(1)** to which the keyboard cable is attached, and disconnect the keyboard cable **(2)** from the system board.



8. Remove the keyboard.

Reverse this procedure to install the keyboard.

Switch cover

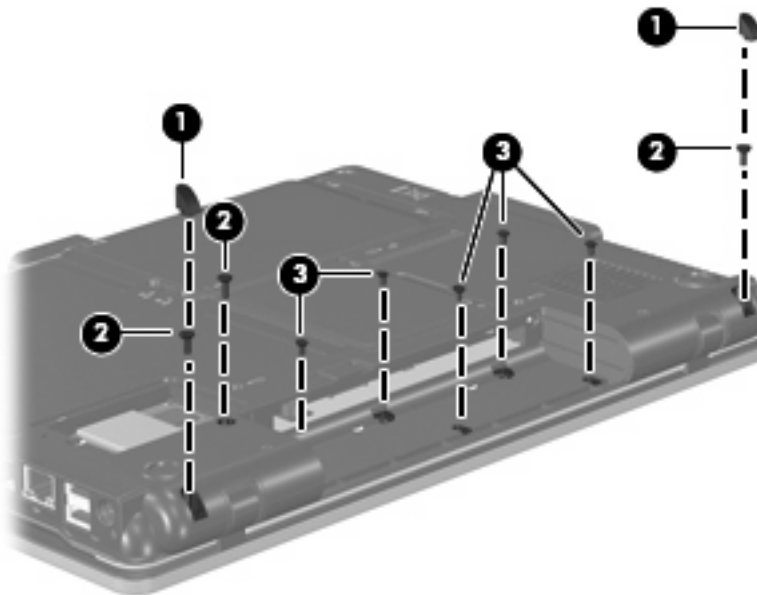
Description	Spare part number
Switch cover (includes LED board and LED board cable)	454006-001

Before removing the switch cover, follow these steps:

1. Shut down the computer. If you are unsure whether the computer is off or in Hibernation, turn the computer on, and then shut it down through the operating system.
2. Disconnect all external devices connected to the computer.
3. Disconnect the power from the computer by first unplugging the power cord from the AC outlet and then unplugging the AC adapter from the computer.
4. Remove the battery (see [Battery on page 37](#)).
5. Remove the keyboard (see [Keyboard on page 47](#)).

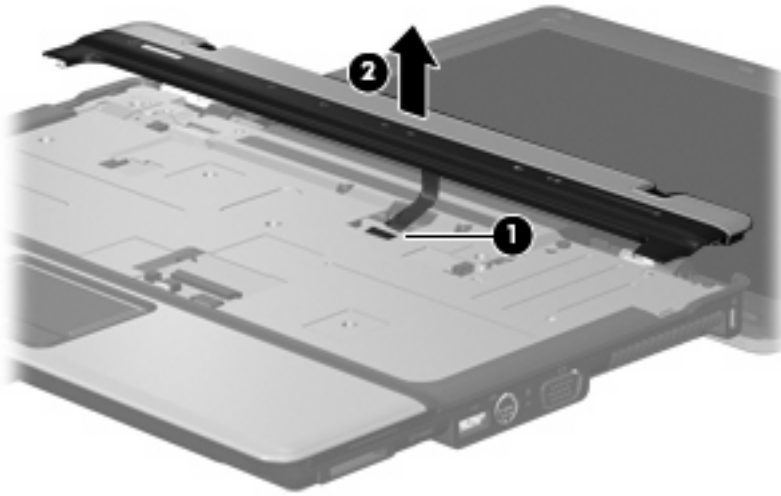
Remove the switch cover:

1. Turn the computer upside down, with the rear panel toward you.
2. Remove the following:
 - (1) Two rubber screw covers. The rubber screw covers are included in the Plastics Kit, spare part number 454010-001.
 - (2) Three Phillips PM2.5×7.0 screws.
 - (3) Five Phillips PM2.0×3.0 screws.



3. Turn the computer right-side up, with the front toward you.
4. Open the computer as far as possible.

5. Disconnect the LED board cable **(1)** from the system board.
6. Remove the switch cover **(2)**.



Reverse this procedure to install the switch cover.

Display assembly

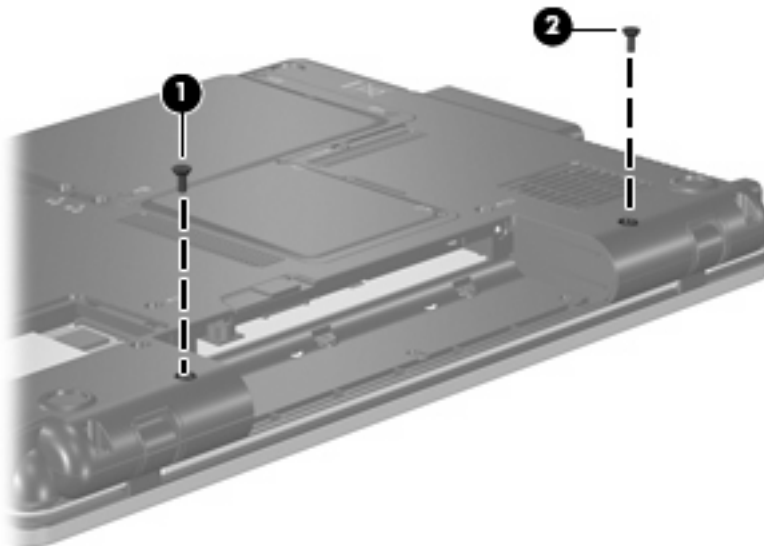
Description	Spare part number
12.1-inch, WXGA display assembly (includes WLAN antenna transceivers and cables)	454004-001

Before removing the display assembly, follow these steps:

1. Shut down the computer. If you are unsure whether the computer is off or in Hibernation, turn the computer on, and then shut it down through the operating system.
2. Disconnect all external devices connected to the computer.
3. Disconnect the power from the computer by first unplugging the power cord from the AC outlet and then unplugging the AC adapter from the computer.
4. Remove the battery (see [Battery on page 37](#)).
5. Disconnect the wireless antenna cables from the WLAN module (see [WLAN module on page 42](#)).
6. Remove the keyboard (see [Keyboard on page 47](#)).
7. Remove the switch cover (see [Switch cover on page 49](#)).

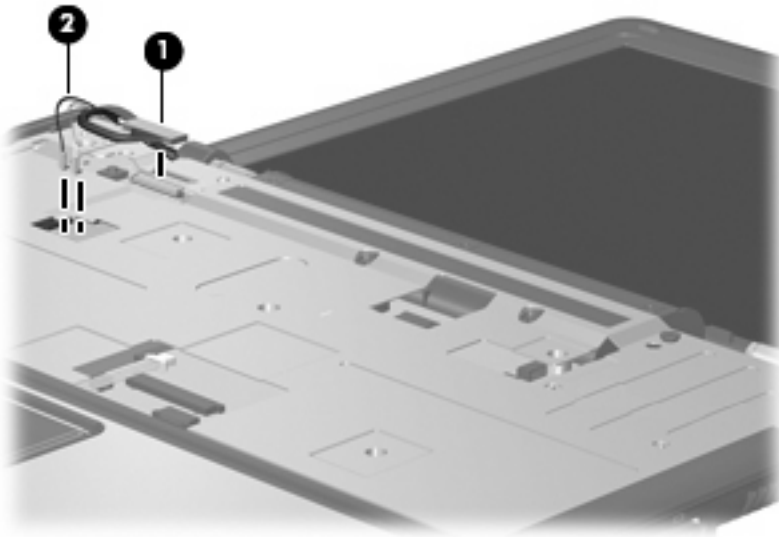
Remove the display assembly:

1. Close the computer and turn it upside down, with the rear panel toward you.
2. Remove the Phillips PM2.5×7.0 screw **(1)** and Phillips PM2.5×5.0 screw **(2)** that secure the display assembly to the computer.

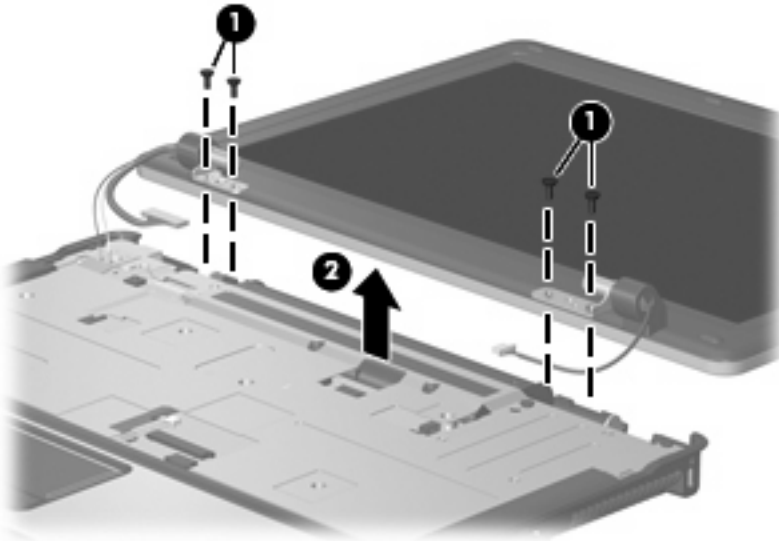


3. Turn the computer right-side up, with the front toward you.
4. Open the computer as far as possible.
5. Disconnect the display panel cable **(1)** from the system board.

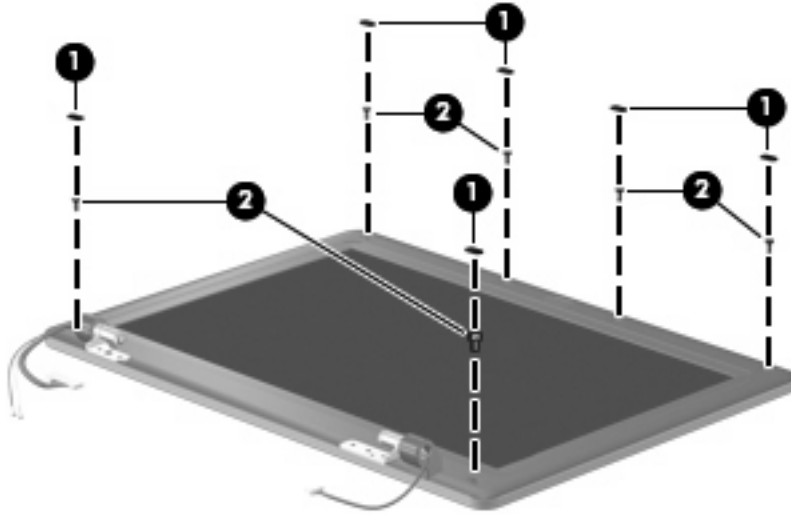
6. Remove the WLAN antenna cables **(2)** from the opening in the system board.



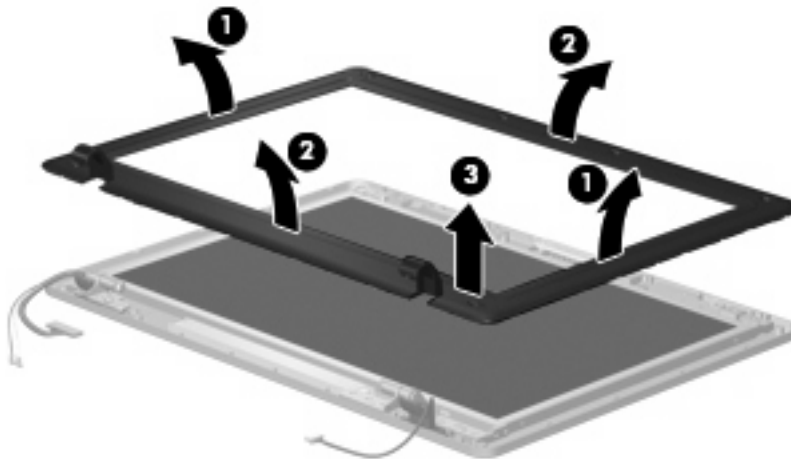
7. Remove the four Phillips PM2.5×6.0 screws **(1)** that secure the display assembly to the computer.
8. Lift the display assembly **(2)** straight up and remove it.



9. If it is necessary to replace the display bezel or the display assembly internal components, remove the six rubber screw covers **(1)** and the six Torx T8M2.5×6.0 screws **(2)** that secure the display bezel to the display enclosure.

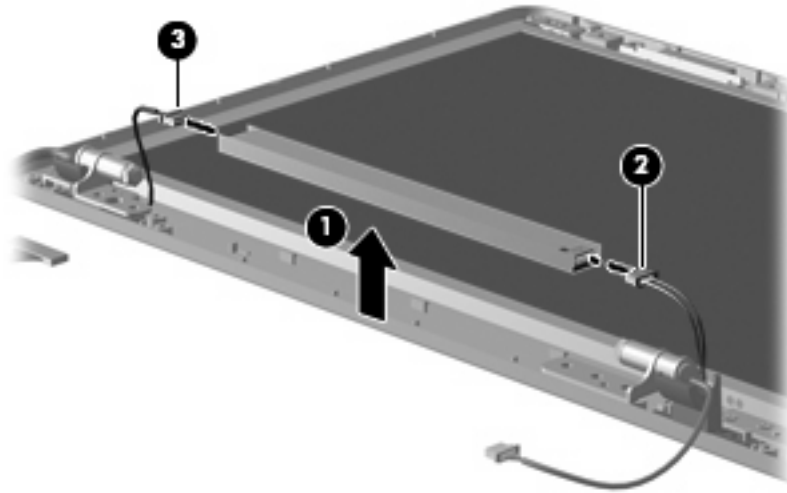


10. Flex the inside edges of the left and right sides **(1)** and the top and bottom sides **(2)** of the display bezel until the bezel disengages from the display enclosure.
11. Remove the display bezel **(3)**. The display bezel is available using spare part number 455400-001.

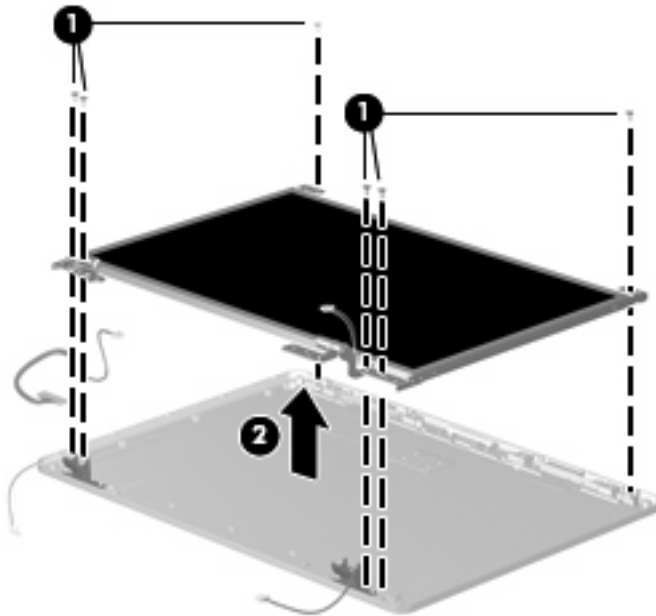


12. If it is necessary to replace the display inverter, release the inverter **(1)** as far as the display panel cable and backlight cable allow.

13. Disconnect the backlight cable **(2)** and the display panel cable **(3)** from the display inverter.

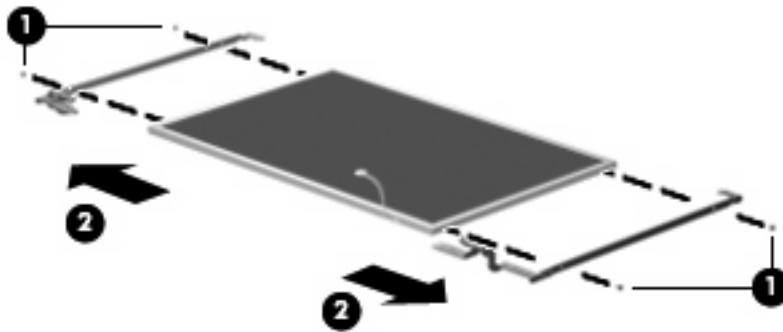


14. Remove the display inverter from the display enclosure. The display inverter is available using spare part number 454009-001.
15. If it is necessary to replace the display hinges, remove the six Torx T8M2.5x5.0 screws **(1)** that secure the display panel to the display enclosure.
16. Remove the display panel **(2)** from the display enclosure.



17. Remove the two Phillips PM2.0x4.0 screws **(1)** that secure the display hinges to the display panel.

18. Remove the display hinges (**2**) from the display panel. The display hinges are available using spare part number 454011-001.



Reverse this procedure to reassemble and install the display assembly.

Top cover

Description	Spare part number
Top cover (includes TouchPad and cable, and fingerprint reader board and cable)	453994-001

Before removing the top cover, follow these steps:

1. Shut down the computer. If you are unsure whether the computer is off or in Hibernation, turn the computer on, and then shut it down through the operating system.
2. Disconnect all external devices connected to the computer.
3. Disconnect the power from the computer by first unplugging the power cord from the AC outlet and then unplugging the AC adapter from the computer.
4. Remove the battery (see [Battery on page 37](#)).
5. Remove the following components:
 - a. Hard drive (see [Hard drive on page 38](#))
 - b. Optical drive (see [Optical drive on page 45](#))
 - c. Keyboard (see [Keyboard on page 47](#))
 - d. Switch cover (see [Switch cover on page 49](#))
 - e. Display assembly (see [Display assembly on page 51](#))

Remove the top cover:

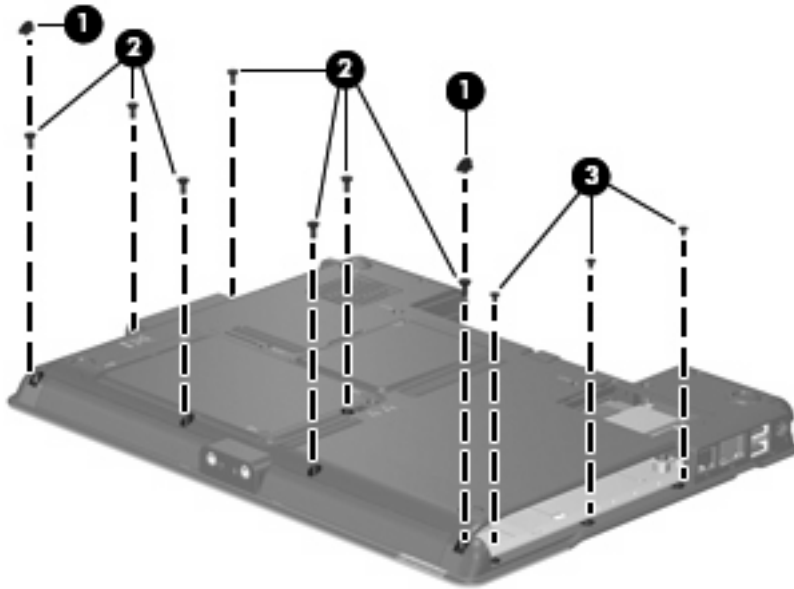
1. Turn the computer upside down, with the front toward you.

2. Remove the following:

(1) Two rubber screw covers. The rubber screw covers are included in the Plastics Kit, spare part number 454010-001.

(2) Seven Phillips PM2.5×7.0 screws.

(3) Three Phillips PM2.0×3.0 screws.

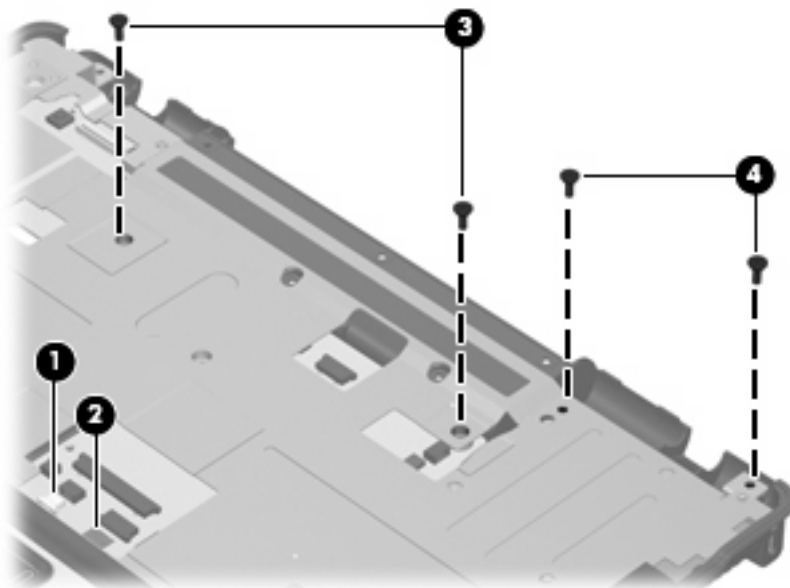


3. Turn the computer right-side up, with the front toward you.

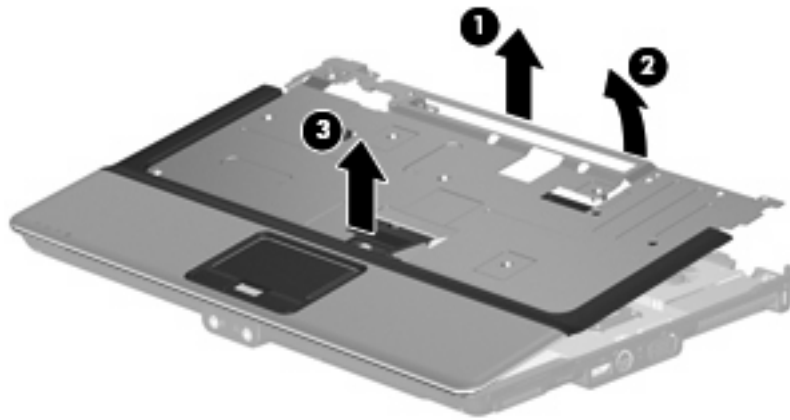
4. Disconnect the fingerprint reader board cable **(1)** from the system board.

5. Disconnect the TouchPad cable **(2)** from the system board.

6. Remove the two Phillips PM2.5×7.0 screws **(3)** and the two Phillips PM2.5×4.0 screws **(4)** that secure the top cover to the computer.




7. Lift the rear edge of the top cover **(1)** and swing it **(2)** up and forward until it rests at an angle.
8. Lift the top cover **(3)** straight up and remove it.



Reverse this procedure to install the top cover.

RTC battery

 **NOTE:** Removing the RTC battery and leaving it uninstalled for 5 or more minutes causes all passwords and CMOS settings to be cleared.

Description	Spare part number
RTC battery	449137-001

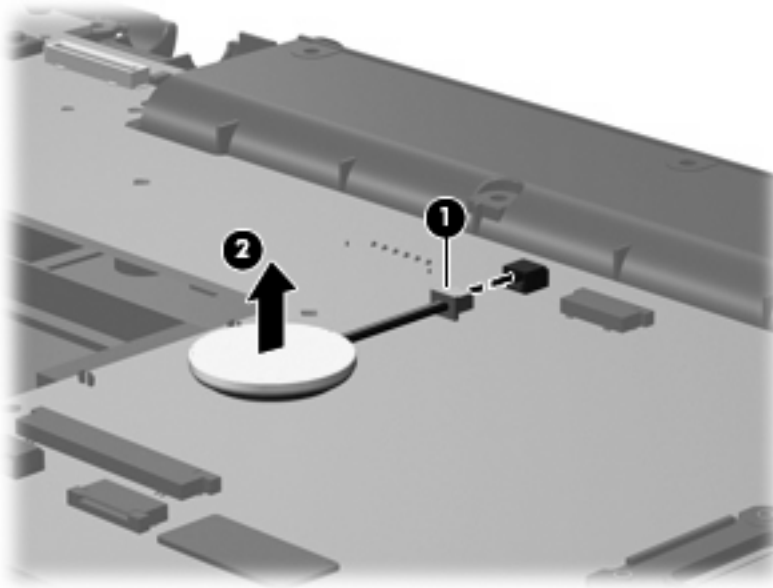
Before removing the RTC battery, follow these steps:

1. Shut down the computer. If you are unsure whether the computer is off or in Hibernation, turn the computer on, and then shut it down through the operating system.
2. Disconnect all external devices connected to the computer.
3. Disconnect the power from the computer by first unplugging the power cord from the AC outlet and then unplugging the AC adapter from the computer.
4. Remove the battery (see [Battery on page 37](#)).
5. Remove the following components:
 - a. Hard drive (see [Hard drive on page 38](#))
 - b. Optical drive (see [Optical drive on page 45](#))
 - c. Keyboard (see [Keyboard on page 47](#))
 - d. Switch cover (see [Switch cover on page 49](#))
 - e. Display assembly (see [Display assembly on page 51](#))
 - f. Top cover (see [Top cover on page 55](#))

Remove the RTC battery:

1. Disconnect the RTC battery cable **(1)** from the system board.

2. Remove the RTC battery **(2)**.



Reverse this procedure to install the RTC battery.

Front LED board

Description	Spare part number
Front LED board	453996-001

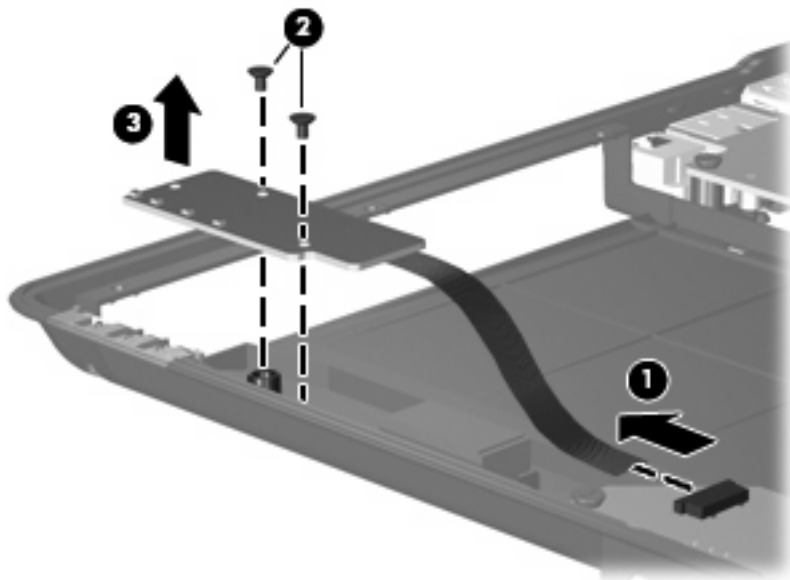
Before removing the front LED board, follow these steps:

1. Shut down the computer. If you are unsure whether the computer is off or in Hibernation, turn the computer on, and then shut it down through the operating system.
2. Disconnect all external devices connected to the computer.
3. Disconnect the power from the computer by first unplugging the power cord from the AC outlet and then unplugging the AC adapter from the computer.
4. Remove the battery (see [Battery on page 37](#)).
5. Remove the following components:
 - a. Hard drive (see [Hard drive on page 38](#))
 - b. Optical drive (see [Optical drive on page 45](#))
 - c. Keyboard (see [Keyboard on page 47](#))
 - d. Switch cover (see [Switch cover on page 49](#))
 - e. Display assembly (see [Display assembly on page 51](#))
 - f. Top cover (see [Top cover on page 55](#))

Remove the front LED board:


1. Disconnect the front LED board cable **(1)** from the system board.
2. Remove the two Phillips PM2.0×3.0 screws **(2)** that secure the front LED board to the base enclosure.

3. Remove the front LED board (3).



Reverse this procedure to reassemble and install the front LED board.

Bluetooth module

 **NOTE:** The Bluetooth module spare part kit does not include a Bluetooth module cable. The Bluetooth module cable is included in the Cables Kit, spare part number 454008-001. See [Cable Kit on page 21](#) for more Cable Kit information.

Description	Spare part number
Bluetooth	398393-002

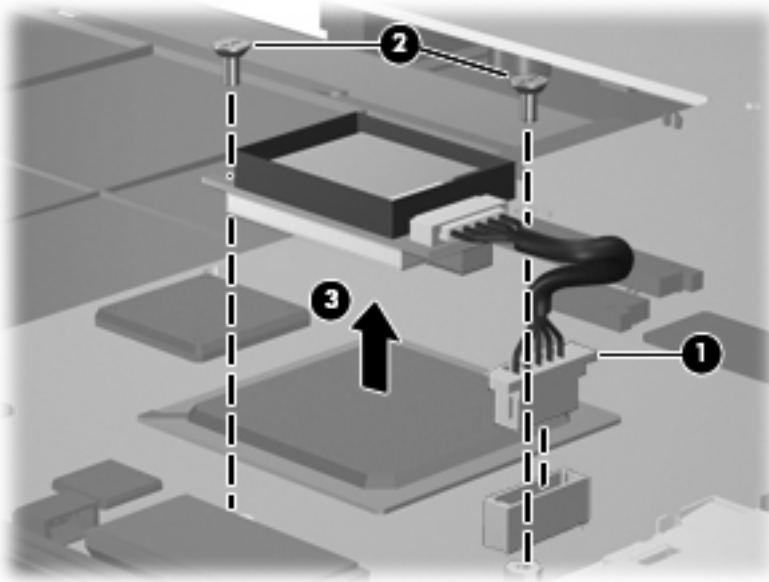
Before removing the Bluetooth module, follow these steps:

1. Shut down the computer. If you are unsure whether the computer is off or in Hibernation, turn the computer on, and then shut it down through the operating system.
2. Disconnect all external devices connected to the computer.
3. Disconnect the power from the computer by first unplugging the power cord from the AC outlet and then unplugging the AC adapter from the computer.
4. Remove the battery (see [Battery on page 37](#)).
5. Remove the following components:
 - a. Hard drive (see [Hard drive on page 38](#))
 - b. Optical drive (see [Optical drive on page 45](#))
 - c. Keyboard (see [Keyboard on page 47](#))
 - d. Switch cover (see [Switch cover on page 49](#))

- e. Display assembly (see [Display assembly on page 51](#))
- f. Top cover (see [Top cover on page 55](#))

Remove the Bluetooth module:

1. Disconnect the Bluetooth module cable **(1)** from the system board.
2. Remove the two Phillips PM2.0×4.0 screws **(2)** that secure the Bluetooth module to the system board.
3. Remove the module **(3)**.



Reverse this procedure to install the Bluetooth module.

Speaker assembly

Description	Spare part number
Speaker assembly	457906-001

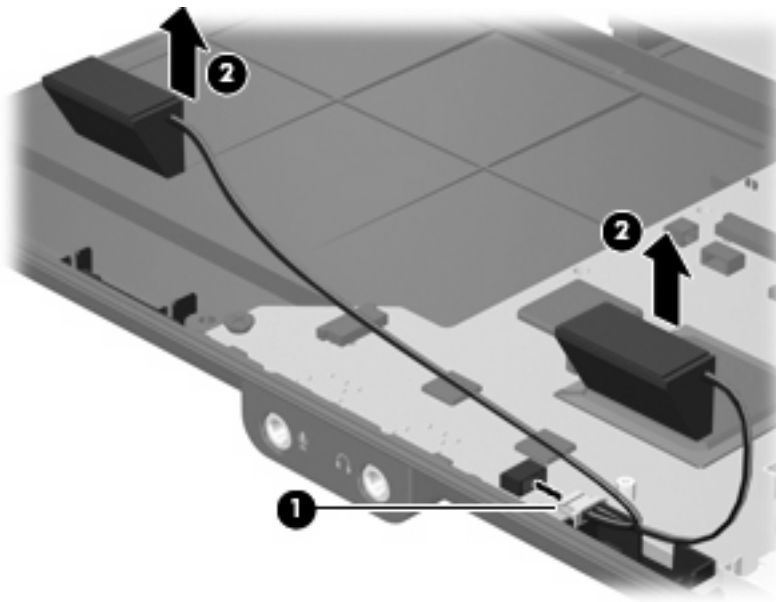
Before removing the speaker assembly, follow these steps:

1. Shut down the computer. If you are unsure whether the computer is off or in Hibernation, turn the computer on, and then shut it down through the operating system.
2. Disconnect all external devices connected to the computer.
3. Disconnect the power from the computer by first unplugging the power cord from the AC outlet and then unplugging the AC adapter from the computer.

4. Remove the battery (see [Battery on page 37](#)).
5. Remove the following components:
 - a. Hard drive (see [Hard drive on page 38](#))
 - b. Optical drive (see [Optical drive on page 45](#))
 - c. Keyboard (see [Keyboard on page 47](#))
 - d. Switch cover (see [Switch cover on page 49](#))
 - e. Display assembly (see [Display assembly on page 51](#))
 - f. Top cover (see [Top cover on page 55](#))
 - g. Bluetooth module (see [Bluetooth module on page 61](#))


Remove the speaker assembly:

1. Disconnect the speaker assembly cable **(1)** from the system board.
2. Remove the speaker assembly **(2)** from the base enclosure.



Reverse this procedure to install the speaker assembly.

Microphone

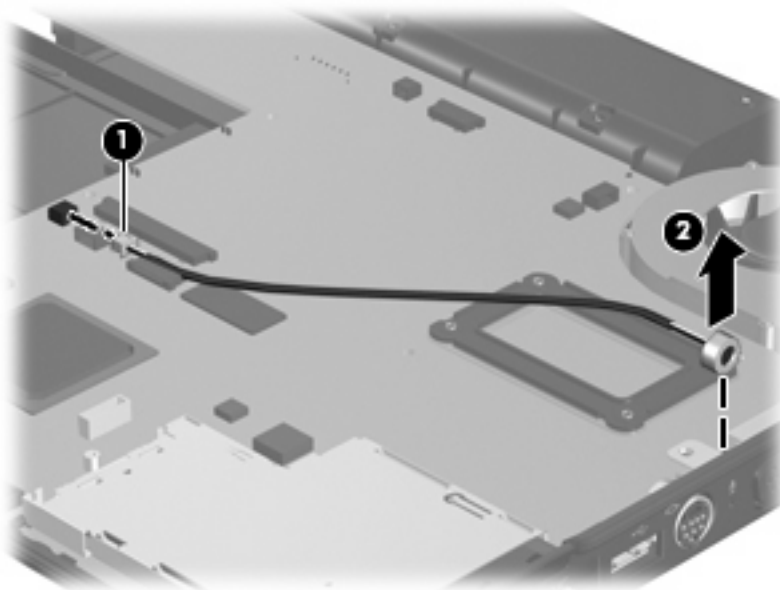
 **NOTE:** The microphone is included in the Cables Kit, spare part number 454008-001. See [Cable Kit on page 21](#) for more Cable Kit information.

Before removing the microphone, follow these steps:

1. Shut down the computer. If you are unsure whether the computer is off or in Hibernation, turn the computer on, and then shut it down through the operating system.
2. Disconnect all external devices connected to the computer.
3. Disconnect the power from the computer by first unplugging the power cord from the AC outlet and then unplugging the AC adapter from the computer.
4. Remove the battery (see [Battery on page 37](#)).
5. Remove the following components:
 - a. Hard drive (see [Hard drive on page 38](#))
 - b. Optical drive (see [Optical drive on page 45](#))
 - c. Keyboard (see [Keyboard on page 47](#))
 - d. Switch cover (see [Switch cover on page 49](#))
 - e. Display assembly (see [Display assembly on page 51](#))
 - f. Top cover (see [Top cover on page 55](#))
 - g. Bluetooth module (see [Bluetooth module on page 61](#))

Remove the microphone:

1. Disconnect the microphone cable **(1)** from the system board.
2. Remove the microphone receiver **(2)** from the clip built into the base enclosure.



Reverse this procedure to install the microphone.

System board

Description	Spare part number
System board (includes replacement thermal material)	453991-001

Before removing the system board, follow these steps:

1. Shut down the computer. If you are unsure whether the computer is off or in Hibernation, turn the computer on, and then shut it down through the operating system.
2. Disconnect all external devices connected to the computer.
3. Disconnect the power from the computer by first unplugging the power cord from the AC outlet and then unplugging the AC adapter from the computer.
4. Remove the battery (see [Battery on page 37](#)).
5. Remove the following components:
 - a. Hard drive (see [Hard drive on page 38](#))
 - b. Optical drive (see [Optical drive on page 45](#))
 - c. Keyboard (see [Keyboard on page 47](#))
 - d. Switch cover (see [Switch cover on page 49](#))
 - e. Display assembly (see [Display assembly on page 51](#))
 - f. Top cover (see [Top cover on page 55](#))
 - g. Bluetooth module (see [Bluetooth module on page 61](#))

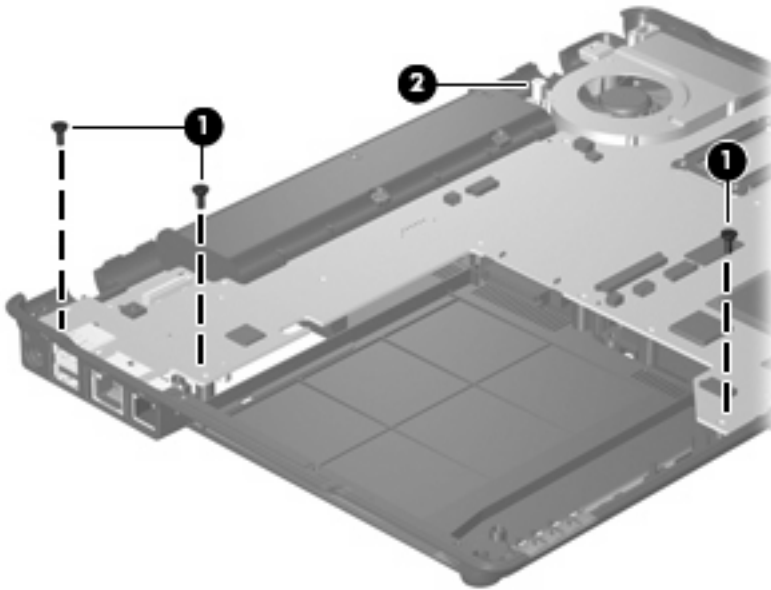
When replacing the system board, be sure that the following components are removed from the defective system board and installed on the replacement system board:

- Memory module (see [Memory module on page 40](#))
- WLAN module (see [WLAN module on page 42](#))
- ExpressCard assembly (see [ExpressCard assembly on page 67](#))
- Modem module (see [Modem module on page 69](#))
- Fan (see [Fan on page 71](#))
- Heat sink (see [Heat sink on page 73](#))
- Processor (see [Processor on page 75](#))

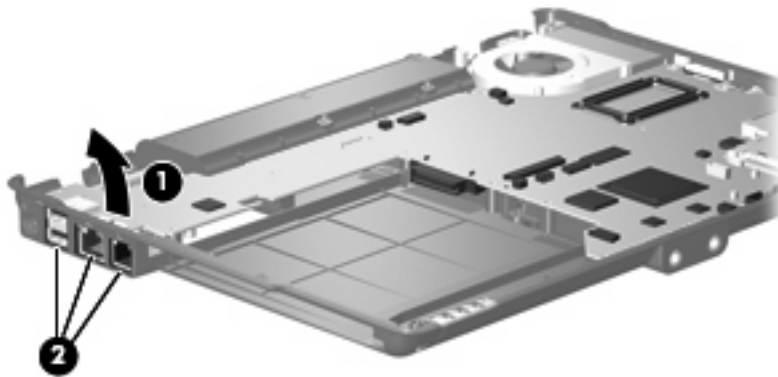
Remove the system board:

1. Remove the three Phillips PM2.5×6.0 screws **(1)** that secure the system board to the base enclosure.

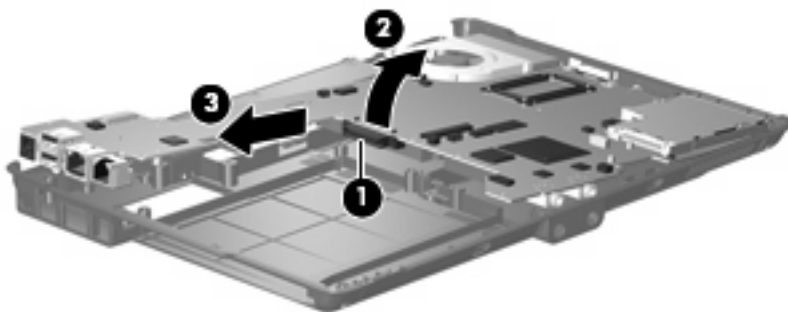
2. Loosen the captive standoff **(2)** on the fan that secures the system board to the base enclosure.



3. Flex the left side of the base enclosure **(1)** until the USB, RJ-45, and RJ-11 jacks **(2)** clear the openings in the base enclosure.



4. Use the optical drive connector **(1)** to lift the left side of the system board **(2)** until it rests at an angle.
5. Remove the system board **(3)** from the base enclosure by pulling it away at an angle.



Reverse the preceding procedure to install the system board.

ExpressCard assembly

Description	Spare part number
ExpressCard assembly	457907-001

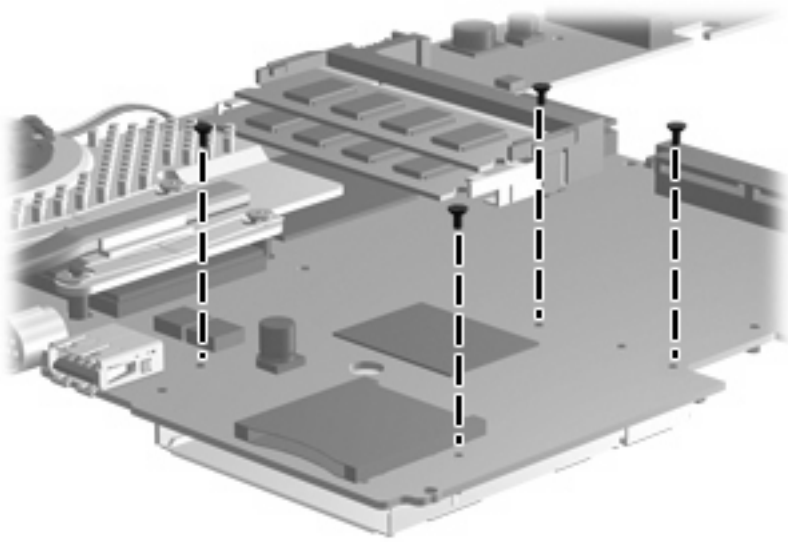
Before removing the ExpressCard assembly, follow these steps:

1. Shut down the computer. If you are unsure whether the computer is off or in Hibernation, turn the computer on, and then shut it down through the operating system.
2. Disconnect all external devices connected to the computer.
3. Disconnect the power from the computer by first unplugging the power cord from the AC outlet and then unplugging the AC adapter from the computer.
4. Remove the battery (see [Battery on page 37](#)).
5. Remove the following components:
 - a. Hard drive (see [Hard drive on page 38](#))
 - b. Optical drive (see [Optical drive on page 45](#))
 - c. Keyboard (see [Keyboard on page 47](#))
 - d. Switch cover (see [Switch cover on page 49](#))
 - e. Display assembly (see [Display assembly on page 51](#))
 - f. Top cover (see [Top cover on page 55](#))
 - g. Bluetooth module (see [Bluetooth module on page 61](#))
 - h. System board (see [System board on page 65](#))

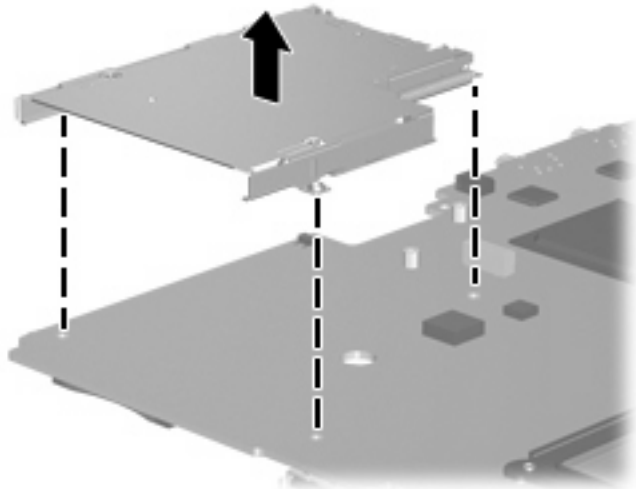
Remove the ExpressCard assembly:

1. Turn the system board upside down, with the left side toward you.

2. Remove the four Phillips PM2.0×6.0 screws that secure the ExpressCard assembly to the system board.




3. Turn the system board right-side up, with the left side toward you.
4. Remove the ExpressCard assembly from the system board.



Reverse this procedure to install the ExpressCard assembly.

Modem module

 **NOTE:** The modem module spare part kits do not include a modem module cable. The modem module cable is included in the Cables Kit, spare part number 454008-001. See [Cable Kit on page 21](#) for more Cable Kit information.

Description	Spare part number
For use in all countries and regions except Japan and Asia Pacific countries and regions	451403-001
For use only in Japan and Asia Pacific countries and regions	449139-001

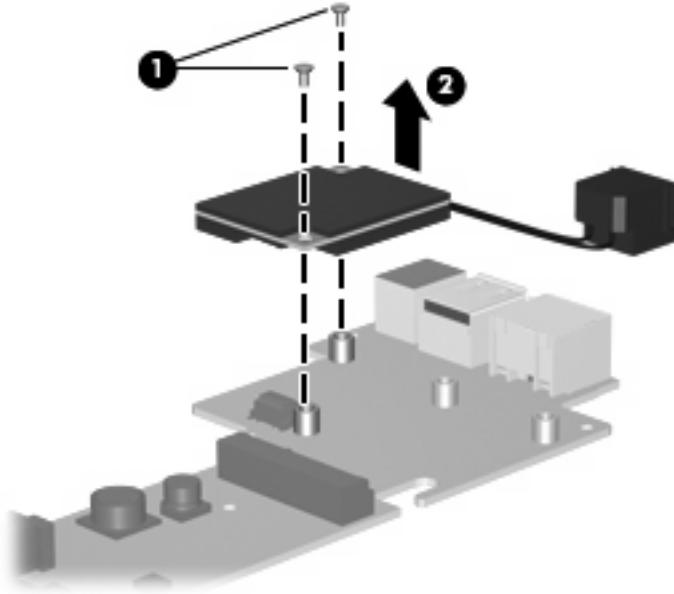
Before removing the modem module, follow these steps:

1. Shut down the computer. If you are unsure whether the computer is off or in Hibernation, turn the computer on, and then shut it down through the operating system.
2. Disconnect all external devices connected to the computer.
3. Disconnect the power from the computer by first unplugging the power cord from the AC outlet and then unplugging the AC adapter from the computer.
4. Remove the battery (see [Battery on page 37](#)).
5. Remove the following components:
 - a. Hard drive (see [Hard drive on page 38](#))
 - b. Optical drive (see [Optical drive on page 45](#))
 - c. Keyboard (see [Keyboard on page 47](#))
 - d. Switch cover (see [Switch cover on page 49](#))
 - e. Display assembly (see [Display assembly on page 51](#))
 - f. Top cover (see [Top cover on page 55](#))
 - g. Bluetooth module (see [Bluetooth module on page 61](#))
 - h. System board (see [System board on page 65](#))

Remove the modem module:

1. Turn the system board upside down, with the rear edge toward you.
2. Remove the two Phillips PM2.5×4.0 screws **(1)** that secure the modem module to the system board.

3. Disconnect the modem module **(2)** from the system board by lifting it straight up.



4. Remove the modem module and modem module cable.

Reverse this procedure to install the modem module and modem module cable.

Fan

Description	Spare part number
Fan	453999-001

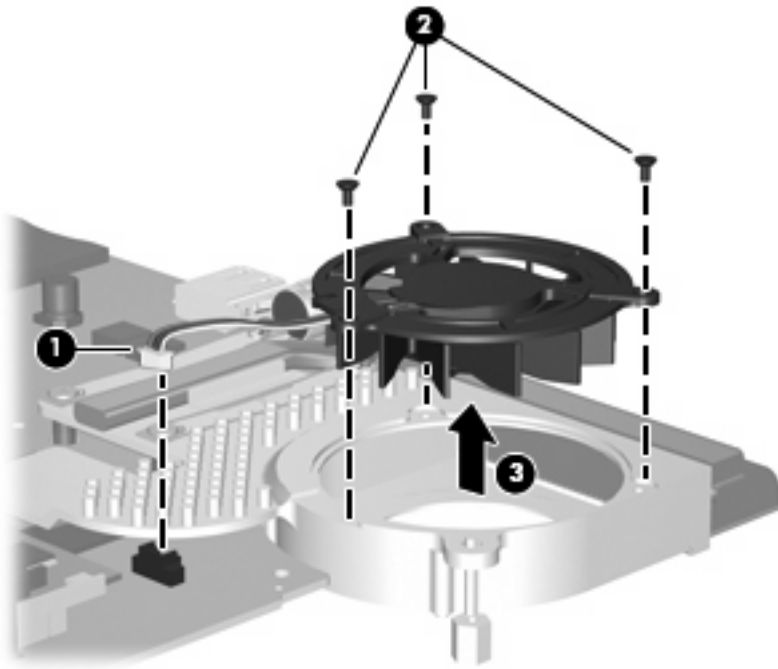
Before removing the fan, follow these steps:

1. Shut down the computer. If you are unsure whether the computer is off or in Hibernation, turn the computer on, and then shut it down through the operating system.
2. Disconnect all external devices connected to the computer.
3. Disconnect the power from the computer by first unplugging the power cord from the AC outlet and then unplugging the AC adapter from the computer.
4. Remove the battery (see [Battery on page 37](#)).
5. Remove the following components:
 - a. Hard drive (see [Hard drive on page 38](#))
 - b. Optical drive (see [Optical drive on page 45](#))
 - c. Keyboard (see [Keyboard on page 47](#))
 - d. Switch cover (see [Switch cover on page 49](#))
 - e. Display assembly (see [Display assembly on page 51](#))
 - f. Top cover (see [Top cover on page 55](#))
 - g. Bluetooth module (see [Bluetooth module on page 61](#))
 - h. System board (see [System board on page 65](#))


Remove the fan:

1. Turn the system board upside down, with the rear edge toward you.
2. Disconnect the fan cable **(1)** from the system board.
3. Remove the three Phillips PM2.0×4.0 screws **(2)** that secure the fan to the heat sink.

4. Remove the fan **(3)** from the heat sink.



Reverse this procedure to install the fan.

 **NOTE:** To properly ventilate the computer, allow at least a 7.6-cm (3-inch) clearance on the left side of the computer.

The computer uses an electric fan for ventilation. The fan is controlled by a temperature sensor and is designed to turn on automatically when high temperature conditions exist. These conditions are affected by high external temperatures, system power consumption, power management/battery conservation configurations, battery fast charging, and software requirements. Exhaust air is displaced through the ventilation grill located on the left side of the computer.

Heat sink

Description	Spare part number
Heat sink (includes a heat sink clip and replacement thermal material)	453998-001
Thermal Material Kit	445853-001


Before removing the heat sink, follow these steps:

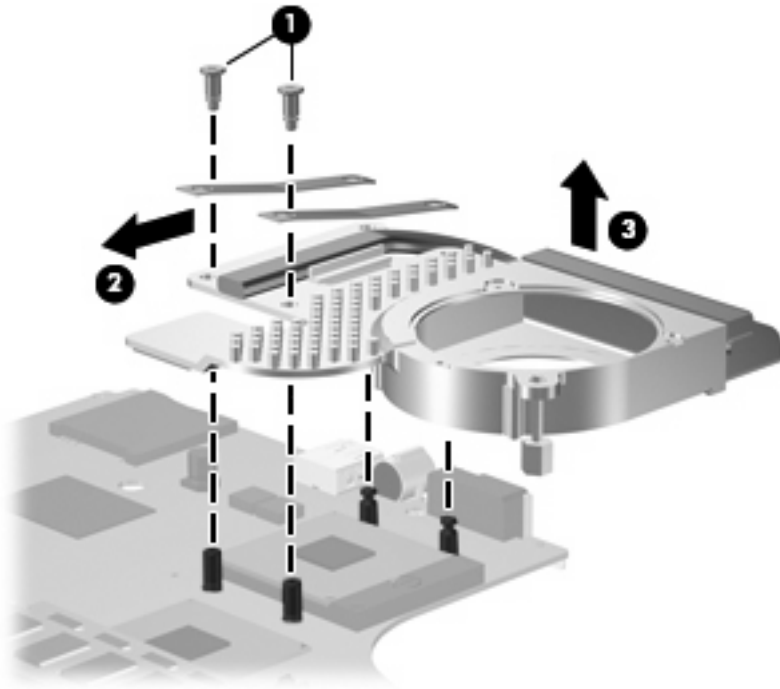
1. Shut down the computer. If you are unsure whether the computer is off or in Hibernation, turn the computer on, and then shut it down through the operating system.
2. Disconnect all external devices connected to the computer.
3. Disconnect the power from the computer by first unplugging the power cord from the AC outlet and then unplugging the AC adapter from the computer.
4. Remove the battery (see [Battery on page 37](#)).
5. Remove the following components:
 - a. Hard drive (see [Hard drive on page 38](#))
 - b. Optical drive (see [Optical drive on page 45](#))
 - c. Keyboard (see [Keyboard on page 47](#))
 - d. Switch cover (see [Switch cover on page 49](#))
 - e. Display assembly (see [Display assembly on page 51](#))
 - f. Top cover (see [Top cover on page 55](#))
 - g. Bluetooth module (see [Bluetooth module on page 61](#))
 - h. System board (see [System board on page 65](#))
 - i. Fan (see [Fan on page 71](#))


Remove the heat sink:

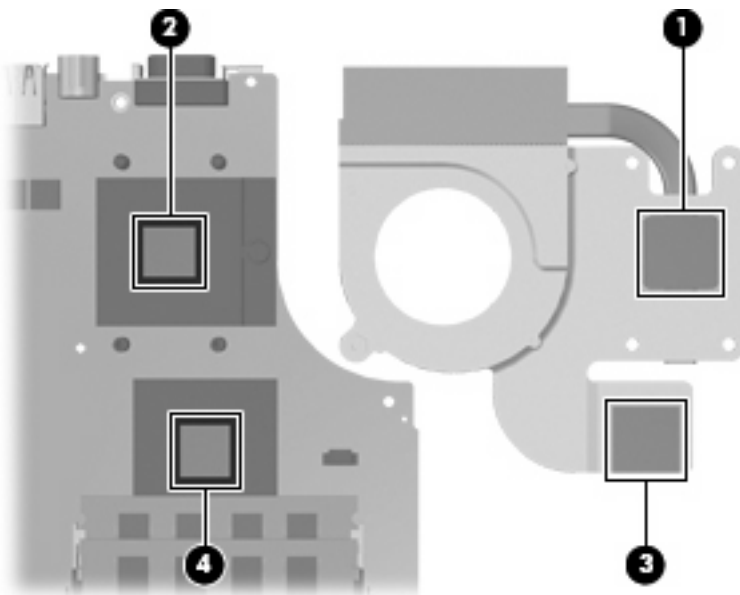
1. Remove the two Phillips PM2.0×6.0 shoulder screws **(1)** that secure the heat sink and the heat sink retention clips to the system board.
2. Remove the heat sink retention clips **(2)** by sliding them to the left.

3. Remove the heat sink **(3)** by lifting it straight up.

 **NOTE:** Due to the adhesive quality of the thermal material located between the heat sink and system board components, it may be necessary to move the heat sink from side to side to detach the assembly.




 **NOTE:** The thermal material must be thoroughly cleaned from the surfaces of the heat sink **(1)** and **(3)**, the processor **(2)**, and graphics subsystem component **(4)** on the system board each time the heat sink is removed. Thermal material is included with all system board, heat sink, and processor spare part kits, and is also available in the Thermal Material Kit, spare part number 445853-001.



Reverse this procedure to install the heat sink.

Processor

 **NOTE:** All processor spare part kits include replacement thermal material. The Thermal Material Kit is also available using spare part number 445853-001.

Description	Spare part number
Intel Core 2 Duo processors (4-MB L2 cache, 800-MHz FSB)	
T7800 2.6-GHz processor	454016-001
T7700 2.4-GHz processor	446894-001
T7500 2.2-GHz processor	454015-001
T7300 2.0-GHz processor	446892-001
T7100 1.8-GHz processor	446891-001
Intel Core Duo processors (2-MB L2 cache, 667-MHz FSB)	
T5450 1.66-GHz processor	454598-001
T5250 1.50-GHz processor	455399-001
Intel Celeron-M processors (1-MB L2 cache, 533-MHz FSB)	
540 1.86-GHz processor	454600-001
530 1.73-GHz processor	454599-001


Before removing the processor, follow these steps:

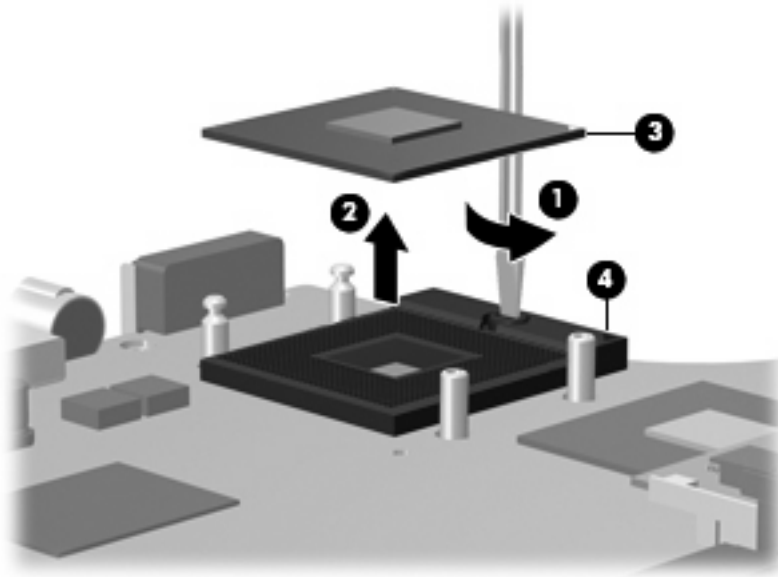
1. Shut down the computer. If you are unsure whether the computer is off or in Hibernation, turn the computer on, and then shut it down through the operating system.
2. Disconnect all external devices connected to the computer.
3. Disconnect the power from the computer by first unplugging the power cord from the AC outlet and then unplugging the AC adapter from the computer.
4. Remove the battery (see [Battery on page 37](#)).
5. Remove the following components:
 - a. Hard drive (see [Hard drive on page 38](#))
 - b. Optical drive (see [Optical drive on page 45](#))
 - c. Keyboard (see [Keyboard on page 47](#))
 - d. Switch cover (see [Switch cover on page 49](#))
 - e. Display assembly (see [Display assembly on page 51](#))
 - f. Top cover (see [Top cover on page 55](#))
 - g. Bluetooth module (see [Bluetooth module on page 61](#))
 - h. System board (see [System board on page 65](#))

- i. Fan (see [Fan on page 71](#))
- j. Heat sin (see [Heat sink on page 73](#))

Remove the processor:

1. Use a flat-bladed screwdriver to turn the processor locking screw **(1)** one-half turn counterclockwise until you hear a click.
2. Lift the processor **(2)** straight up and remove it.

 **NOTE:** When you install the processor, the gold triangle **(3)** on the processor must be aligned with the triangle **(4)** embossed on the processor slot.




Reverse this procedure to install the processor.

5 Computer Setup

Starting Computer Setup

Computer Setup is a preinstalled, ROM-based utility that can be used even when the operating system is not working or will not load.

 **NOTE:** Some of the Computer Setup menu items listed in this guide may not be supported by your computer.

NOTE: Pointing devices are not supported in Computer Setup. You must use the keyboard to navigate and make selections.

NOTE: An external keyboard connected by USB can be used with Computer Setup only if USB legacy support is enabled.

To start Computer Setup, follow these steps:

1. Turn on or restart the computer.
2. Before Windows® opens and while the "F10 = ROM Based Setup" message is displayed in the lower-left corner of the screen, press **f10**.

Using Computer Setup

Navigating and selecting in Computer Setup

The information and settings in Computer Setup are accessed from the File, Security, Diagnostics, and System Configuration menus.

1. Open Computer Setup by turning on or restarting the computer, and then pressing **f10** while the "F10 = ROM Based Setup" message is displayed in the lower-left corner of the screen.

Because Computer Setup is not Windows-based, it does not support the TouchPad. Navigation and selection are by keystroke:

- To choose a menu or a menu item, use the arrow keys.
 - To select an item, press **enter**.
 - To close open dialog boxes and return to the main Computer Setup screen, press **esc**.
 - To view navigation information, press **f1**.
 - To change the language, press **f2**.
2. Select the **File**, **Security**, **Diagnostics**, or **System Configuration** menu.
 3. To exit Computer Setup, choose one of the following methods:
 - To exit Computer Setup without saving your preferences, use the arrow keys to select **File > Ignore Changes and Exit**. Then follow the instructions on the screen.
 - To save your preferences and exit Computer Setup, use the arrow keys to select **File > Save Changes and Exit**. Then follow the instructions on the screen.


Your preferences go into effect when the computer restarts.

Restoring factory settings in Computer Setup

To return all settings in Computer Setup to the values that were set at the factory, follow these steps:


1. Open Computer Setup by turning on or restarting the computer, and then pressing **f10** while the "F10 = ROM Based Setup" message is displayed in the lower-left corner of the screen.
2. Use the arrow keys to select **File > Restore** defaults, and then press **enter**.
3. When the confirmation dialog box opens, press **f10**.
4. To save your preferences and exit Computer Setup, use the arrow keys to select **File > Save Changes and Exit**. Then follow the instructions on the screen.

Your preferences go into effect when the computer restarts.

 **NOTE:** Your password settings and security settings are not changed when you restore the factory settings.

Computer Setup menus

The menu tables in this section provide an overview of Computer Setup options.

 **NOTE:** Some of the Computer Setup menu items listed in this chapter may not be supported by your computer.

File menu

Select	To do this
System information	<ul style="list-style-type: none">• View identification information for the computer and the batteries in the system.• View specification information for the processor, cache and memory size, system ROM, video revision, and keyboard controller version.
Restore defaults	Replace the configuration settings in Computer Setup with the original factory settings. (Password settings and security settings are not changed when you restore the factory settings.)
Ignore changes and exit	Cancel any changes entered during the current session. Then exit and restart the computer.
Save changes and exit	Save any changes entered during the current session. Then exit and restart the computer. Your changes go into effect when the computer restarts.


Security menu

Select	To do this
Setup password	Enter, change, or delete a setup password.
Power-On password	Enter, change, or delete a power-on password.
Password options	<ul style="list-style-type: none">• Enable/disable stringent security.• Enable/disable password requirement on computer restart.
DriveLock passwords	<ul style="list-style-type: none">• Enable/disable DriveLock on any computer hard drive and on optional MultiBay hard drives.• Change a DriveLock user password or master password. <p>NOTE: DriveLock settings are accessible only when you enter Computer Setup by turning on (not restarting) the computer.</p>
Smart Card security	Enable/disable support for smart card and Java™ Card power-on authentication. <p>NOTE: Power-on authentication for smart cards is supported only on computers with optional smart card readers.</p> <p>NOTE: You must have an administrator password to change this setting.</p>
TPM Embedded Security	Enable/disable support for Trusted Platform Module (TPM) Embedded Security, which protects the computer from unauthorized access to owner functions available in Embedded Security for ProtectTools. For more information, refer to the ProtectTools software Help. <p>NOTE: You must have a setup password to change this setting.</p>
System IDs	Enter user-defined computer asset tracking number and ownership tag.
Disk Sanitizer	Run Disk Sanitizer to destroy all existing data on the primary hard drive. The following options are available: <ul style="list-style-type: none">• Fast: Runs the Disk Sanitizer erase cycle once.• Optimum: Runs the Disk Sanitizer erase cycle 3 times.• Custom: Allows you to select the desired number of Disk Sanitizer erase cycles from a list. <p>CAUTION: If you run Disk Sanitizer, the data on the primary hard drive is destroyed permanently.</p>

Diagnostics menu

Select	To do this
Hard Drive Self-Test options	Run a comprehensive self-test on any hard drive in the system or on any optional MultiBay hard drive.
Memory Check	Run a comprehensive check on system memory.
Startup Check (select models only)	Verify the system components needed for starting the computer.

System Configuration menu

 **NOTE:** Some of the listed System Configuration options may not be supported by your computer.

Select	To do this
Language (or press f2)	Change the Computer Setup language.
Boot options	<ul style="list-style-type: none">• Set f9, f10, and f12 delay when starting up.• Enable/disable CD-ROM boot.• Enable/disable floppy boot.• Enable/disable internal network adapter boot and set the boot mode (PXE or RPL).• Enable/disable MultiBoot, which sets a boot order that can include most boot devices in the system.• Set the Express Boot Popup delay in seconds.• Set the boot order.
Device configurations	<ul style="list-style-type: none">• Swap the functions of the fn key and left ctrl key.• Enable/disable multiple standard pointing devices at startup. (To set the computer to support only a single, usually nonstandard, pointing device at startup, select Disable.)• Enable/disable USB legacy support. When enabled, USB legacy support allows the following:<ul style="list-style-type: none">◦ Use of a USB keyboard, mouse, and hub in Computer Setup even when a Windows operating system is not running.◦ Startup from bootable USB devices, including a hard drive, diskette drive, or optical drive connected by a USB port to the computer or to an optional docking device (select models only).• Select a parallel port mode: EPP (Enhanced Parallel Port), standard, bidirectional, or ECP (Enhanced Capabilities Port).• Enable/disable BIOS DMA data transfers.• Enable/disable fan always on while connected to an AC outlet.• Enable/disable Intel® Data Execution Prevention or AMD® PSAA Execution Disable. When enabled, the processor can disable some virus code execution, which helps to improve computer security.• Enable/disable LAN Power Save. When enabled, saves power by turning off the LAN when not in use.• Enable/disable SATA Native Mode.• Enable/disable Dual Core CPU.• Enable/disable Secondary Battery Fast Charge.• Choose Bit-shift or LBA assisted HDD Translation Mode.• Enable/disable Windows direct application launcher.• Enable/disable HP Lockout.

Select	To do this
Built-In Device Options	<ul style="list-style-type: none"> • Enable/disable embedded WWAN Device Radio. • Enable/disable embedded WLAN Device Radio. • Enable/disable embedded Bluetooth® Device Radio. • Enable/disable LAN/WLAN Switching. When enabled, switches to a WLAN when a LAN is either unavailable or disconnected. • Enable/disable Wake on LAN from Off. • Enable/disable the ambient light sensor.
Port Options	<ul style="list-style-type: none"> • Enable/disable the serial port. • Enable/disable the parallel port. • Enable/disable the flash media reader. • Enable/disable the USB port. CAUTION: Disabling the USB port also disables MultiBay devices and ExpressCard devices on the advanced port replicator. • Enable/disable the 1394 port. • Enable/disable the cardbus slot. • Enable/disable the ExpressCard slot. • Enable/disable the infrared port. • Enable/disable the optical disk drive. • Enable/disable the network controller.

6 Specifications

Computer specifications

	Metric	U.S.
Dimensions		
Length	30.6 cm	12.01 in
Width	22.5 cm	8.86 in
Height (front to rear)	2.8 to 3.3 cm	1.10 to 1.29 in
Weight		
Equipped with 8-cell battery and optical drive	2.12 kg	4.67 lbs
Equipped with 4-cell battery and optical drive	1.92 kg	4.23 lbs
Input power		
Operating voltage	19.0 V dc @ 4.74 A – 65 W	
Operating current	4.74 A	
Temperature		
Operating (not writing to optical disc)	0°C to 35°C	32°F to 95°F
Operating (writing to optical disc)	5°C to 35°C	41°F to 95°F
Nonoperating	-20°C to 60°C	-4°F to 140°F
Relative humidity		
Operating	10% to 90%	
Nonoperating	5% to 95%	
Maximum altitude (unpressurized)		
Operating (14.7 to 10.1 psia)	-15 m to 3,048 m	50 ft to 10,000 ft
Nonoperating (14.7 to 4.4 psia)	-15 m to 12,192 m	-50 ft to 40,000 ft
Shock		
Operating	125 g, 2 ms, half-sine	
Nonoperating	200 g, 2 ms, half-sine	
Random vibration		

	Metric	U.S.
Operating	0.75 g zero-to-peak, 10 Hz to 500 Hz, 0.25 oct/min sweep rate	
Nonoperating	1.50 g zero-to-peak, 10 Hz to 500 Hz, 0.5 oct/min sweep rate	

NOTE: Applicable product safety standards specify thermal limits for plastic surfaces. The computer operates well within this range of temperatures.

12.1-inch, WXGA display specifications

	Metric	U.S.
Dimensions		
Height	16.9 cm	6.7 in
Width	26.2 cm	10.3 in
Diagonal	30.8 cm	12.1 in
Number of colors	Up to 16.8 million	
Contrast ratio	250:1 (typical)	
Brightness	180 nits (typical)	
Pixel resolution		
Pitch	0.279 × 0.279 mm	
Format	1280 × 800	
Configuration	RGB vertical stripe	
Backlight	Edge lit	
Character display	80 × 25	
Total power consumption	4.0 W	
Viewing angle	+/-40 horizontal, +120/-40° vertical (typical)	

Hard drive specifications

	200-GB*	160-GB*	120-GB*	80-GB*
Dimensions				
Height	9.5 mm	9.5 mm	9.5 mm	9.5 mm
Width	70 mm	70 mm	70 mm	70 mm
Weight	101 g	101 g	101 g	101 g
Interface type	SATA	SATA	SATA	SATA
Transfer rate	100 MB/sec	100 MB/sec	100 MB/sec	100 MB/sec
Security	ATA security	ATA security	ATA security	ATA security
Seek times (typical read, including setting)				
Single track	3 ms	3 ms	3 ms	3 ms
Average	13 ms	13 ms	13 ms	13 ms
Maximum	24 ms	24 ms	24 ms	24 ms
Logical blocks	390,700,850	312,560,640	234,420,480	156,280,320
Disc rotational speed	4200 rpm	5400 rpm	5400 rpm	5400 rpm
Operating temperature	5°C to 55°C (41°F to 131°F)			
* 1 GB = 1 billion bytes when referring to hard drive storage capacity. Actual accessible capacity is less. Actual drive specifications may differ slightly.				
NOTE: Certain restrictions and exclusions apply. Contact technical support for details.				

DVD/CD-RW Combo Drive specifications

Applicable disc	Read:	Write:
	CD-DA, CD+(E)G, CD-MIDI, CD-TEXT, CD-ROM, CD-ROM XA, MIXED MODE CD, CD-I, CD-I Bridge (Photo-CD, Video CD), Multisession CD (Photo-CD, CD-EXTRA, Portfolio, CD-R, CD-RW), CD-R, CD-RW, DVD-ROM (DVD-5, DVD-9, DVD-10, DVD-18), DVD-R, DVD-RW, DVD+R, DVD+RW, DVD-RAM	CD-R and CD-RW
Center hole diameter	1.5 cm (0.59 in)	
Disc diameter		
Standard disc	12 cm (4.72 in)	
Mini disc	8 cm (3.15 in)	
Disc thickness	1.2 mm (0.047 in)	
Track pitch	0.74 μ m	
Access time	CD	DVD
Random	< 110 ms	< 130 ms
Full stroke	< 210 ms	< 225 ms
Audio output level	Line-out, 0.7 Vrms	
Cache buffer	2 MB	
Data transfer rate		
24X CD-ROM	3,600 KB/sec	
8X DVD	3,600 KB/sec	
24X CD-R	3,600 KB/sec	
24X CD-RW	3,600 KB/sec	
Transfer mode	Multiword DMA mode 2	
Startup time	< 15 seconds	
Stop time	< 6 seconds	

DVD-ROM Drive

Applicable disc	DVD-ROM (DVD-5, DVD-9, DVD-10, DVD-18, CD-ROM (Mode 1 and 2), CD Digital Audio, CD-XA ready (Mode 2, Form 1 and Form 2), CD-I (Mode 2, Form 1 and Form 2), CD-R, CD-RW, Photo CD (single and multisession), CD-Bridge	
Center hole diameter	1.5 cm (0.59 in)	
Disc diameter		
Standard disc	12 cm (4.72 in)	
Mini disc	8 cm (3.15 in)	
Disc thickness	1.2 mm (0.047 in)	
Track pitch	0.74 μm	
Access time	CD	DVD
Random	< 100 ms	< 125 ms
Full stroke	< 175 ms	< 225 ms
Audio output level	Line-out, 0.7 Vrms	
Cache buffer	512 KB	
Data transfer rate		
CD-R (24X)	3600 KB/s (150 KB/s at 1X CD rate)	
CD-RW (10X)	1500 KB/s (150 KB/s at 1X CD rate)	
CD-ROM (24X)	3600 KB/s (150 KB/s at 1X CD rate)	
DVD (8X)	10,800 KB/s (1,352 KB/s at 1X DVD rate)	
Multiword DMA mode 2	16.6 MB/s	
Startup time	< 10 seconds	
Stop time	< 3 seconds	

System DMA specifications

Hardware DMA	System function
DMA0	Not applicable
DMA1*	Not applicable
DMA2*	Not applicable
DMA3	Not applicable
DMA4	Direct memory access controller
DMA5*	Available for PC Card
DMA6	Not assigned
DMA7	Not assigned

*PC Card controller can use DMA 1, 2, or 5.

System interrupt specifications

Hardware IRQ	System function
IRQ0	System timer
IRQ1	Standard 101-/102-Key or Microsoft® Natural Keyboard
IRQ2	Cascaded
IRQ3	Intel 82801DB/DBM USB2 Enhanced Host Controller—24CD
IRQ4	COM1
IRQ5*	Conexant AC—Link Audio Intel 82801DB/DBM SMBus Controller—24C3 Data Fax Modem with SmartCP
IRQ6	Diskette drive
IRQ7*	Parallel port
IRQ8	System CMOS/real-time clock
IRQ9*	Microsoft ACPI-compliant system
IRQ10*	Intel USB UHCI controller—24C2 Intel 82852/82855 GM/GME Graphic Controller Realtek RTL8139 Family PCI Fast Ethernet Controller
IRQ11	Intel USB EHCI controller—24CD Intel USB UHCI controller—24C4 Intel USB UHCI controller—24C7 Intel Pro/Wireless 2200BG TI OHCI 1394 host controller TI PCI1410 CardBus controller
IRQ12	Synaptics PS/2 TouchPad
IRQ13	Numeric data processor
IRQ14	Primary IDE channel
IRQ15	Secondary IDE channel

*Default configuration; audio possible configurations are IRQ5, IRQ7, IRQ9, IRQ10, or none.

NOTE: PC Cards may assert IRQ3, IRQ4, IRQ5, IRQ7, IRQ9, IRQ10, IRQ11, or IRQ15. Either the infrared or the serial port may assert IRQ3 or IRQ4.

System I/O address specifications

I/O address (hex)	System function (shipping configuration)
000 - 00F	DMA controller no. 1
010 - 01F	Unused
020 - 021	Interrupt controller no. 1
022 - 024	Opti chipset configuration registers
025 - 03F	Unused
02E - 02F	87334 "Super I/O" configuration for CPU
040 - 05F	Counter/timer registers
044 - 05F	Unused
060	Keyboard controller
061	Port B
062 - 063	Unused
064	Keyboard controller
065 - 06F	Unused
070 - 071	NMI enable/RTC
072 - 07F	Unused
080 - 08F	DMA page registers
090 - 091	Unused
092	Port A
093 - 09F	Unused
0A0 - 0A1	Interrupt controller no. 2
I/O Address (hex)	System Function (shipping configuration)
0A2 - 0BF	Unused
0C0 - 0DF	DMA controller no. 2
0E0 - 0EF	Unused
0F0 - 0F1	Coprocessor busy clear/reset
0F2 - 0FF	Unused
100 - 16F	Unused
170 - 177	Secondary fixed disk controller
178 - 1EF	Unused
1F0 - 1F7	Primary fixed disk controller
1F8 - 200	Unused
201	JoyStick (decoded in ESS1688)
202 - 21F	Unused

I/O address (hex)	System function (shipping configuration)
220 - 22F	Entertainment audio
230 - 26D	Unused
26E - 26	Unused
278 - 27F	Unused
280 - 2AB	Unused
2A0 - 2A7	Unused
2A8 - 2E7	Unused
2E8 - 2EF	Reserved serial port
2F0 - 2F7	Unused
2F8 - 2FF	Infrared port
300 - 31F	Unused
320 - 36F	Unused
370 - 377	Secondary diskette drive controller
378 - 37F	Parallel port (LPT1/default)
380 - 387	Unused
388 - 38B	FM synthesizer—OPL3
38C - 3AF	Unused
3B0 - 3BB	VGA
3BC - 3BF	Reserved (parallel port/no EPP support)
3C0 - 3DF	VGA
3E0 - 3E1	PC Card controller in CPU
3E2 - 3E3	Unused
3E8 - 3EF	Internal modem
3F0 - 3F7	"A" diskette controller
3F8 - 3FF	Serial port (COM1/default)
CF8 - CFB	PCI configuration index register (PCIDIVO-1)
CFC - CFF	PCI configuration data register (PCIDIVO-1)

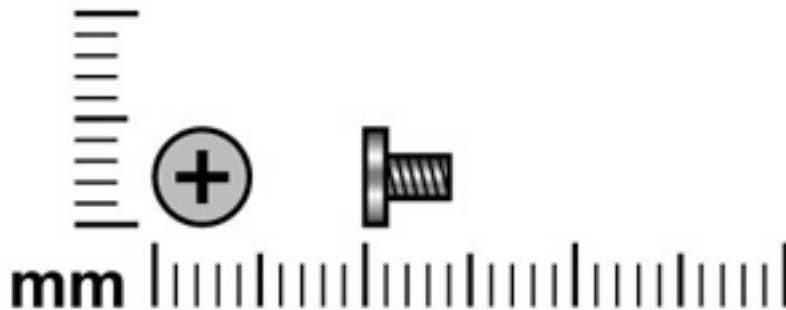
System memory map specifications

Size	Memory address	System function
640 KB	00000000-0009FFFF	Base memory
128 KB	000A0000-000BFFFF	Video memory
48 KB	000C0000-000CBFFF	Video BIOS
160 KB	000C8000-000E7FFF	Unused
64 KB	000E8000-000FFFFF	System BIOS
15 MB	00100000-00FFFFFF	Extended memory
58 MB	04800000-07FFFFFF	Super extended memory
58 MB	04800000-07FFFFFF	Unused
2 MB	08000000-080FFFFF	Video memory (direct access)
4 GB	08200000-FFFFFFFF	Unused
64 KB	FFFF0000-FFFFFFFF	System BIOS

7 Screw listing

This section provides specification and reference information for the screws used in the computer. All screws listed in this section are available in the Screw Kit, spare part number 454014-001.

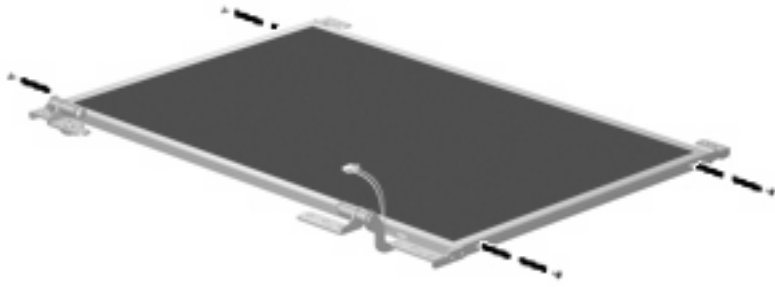
Phillips PM2.0×4.0 screw



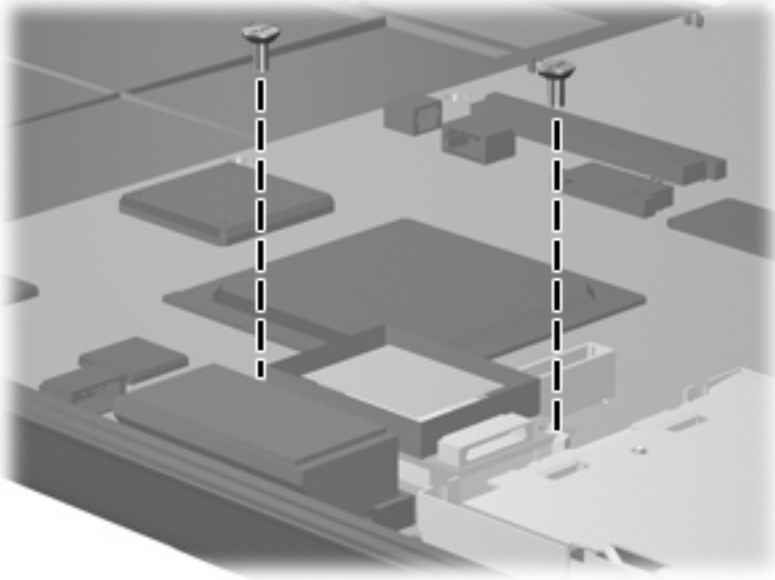
Color	Quantity	Length	Thread	Head diameter
Silver	11	4.0 mm	2.0 mm	4.5 mm



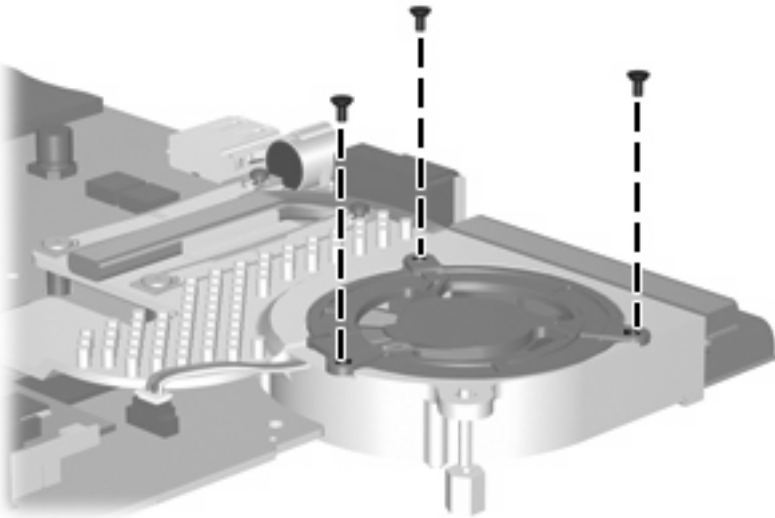
Where used: 2 screws that secure the optical drive bracket to the optical drive



Where used: 4 screws that secure the display hinges to the display panel

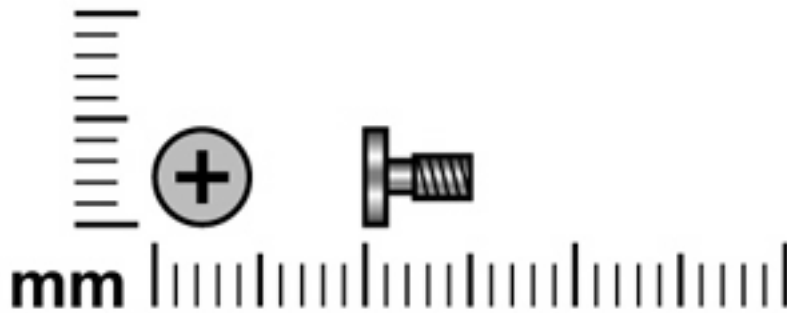


Where used: 2 screws that secure the Bluetooth module to the system board

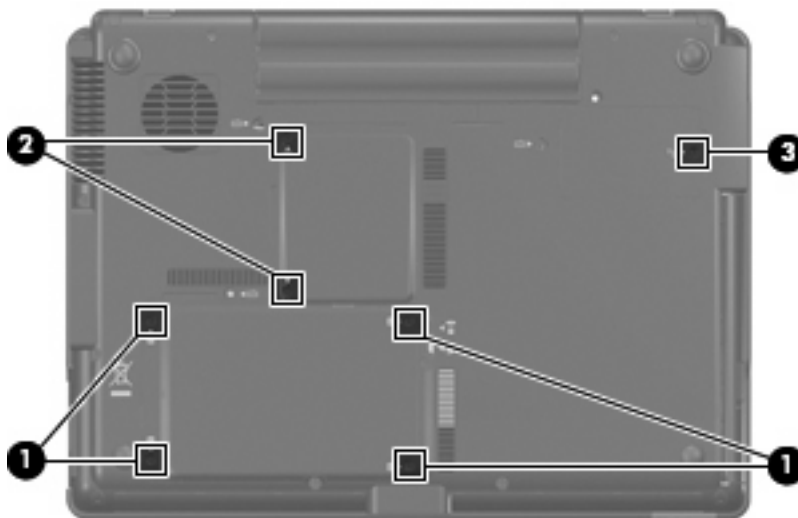


Where used: 3 screws that secure the fan to the heat sink

Phillips PM2.0x5.0 captive screw



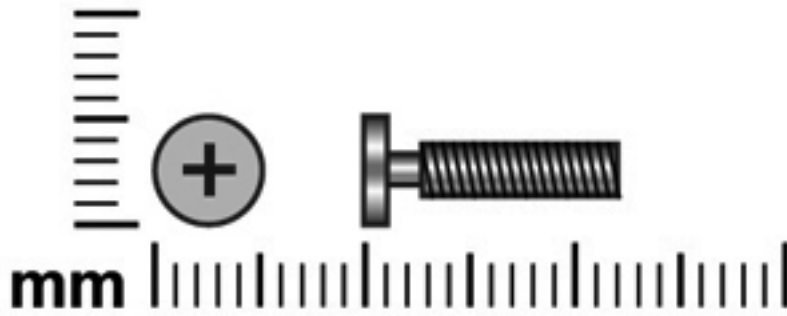
Color	Quantity	Length	Thread	Head diameter
Silver	7	5.0 mm	2.0 mm	4.5 mm



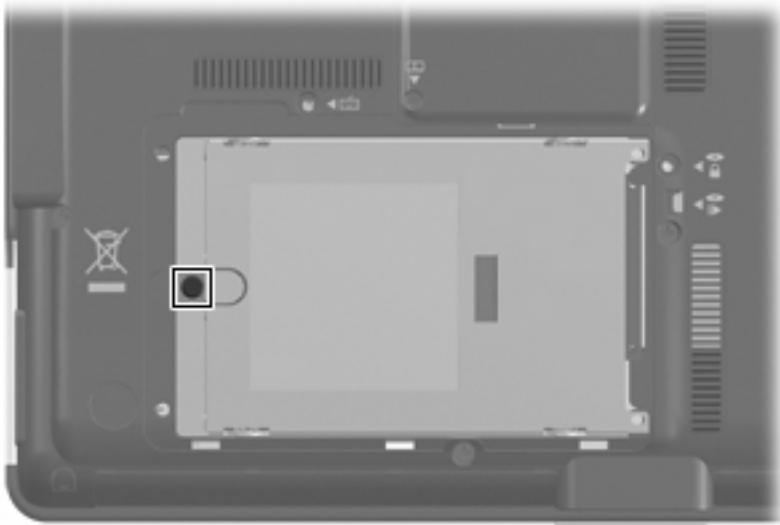
Where used:

- (1) Four captive screws that secure the hard drive cover to the computer
- (2) Two captive screws that secures the memory module compartment cover to the computer
- (3) One captive screw that secures the WLAN module compartment cover to the computer

Phillips PM2.5×12.0 captive screw

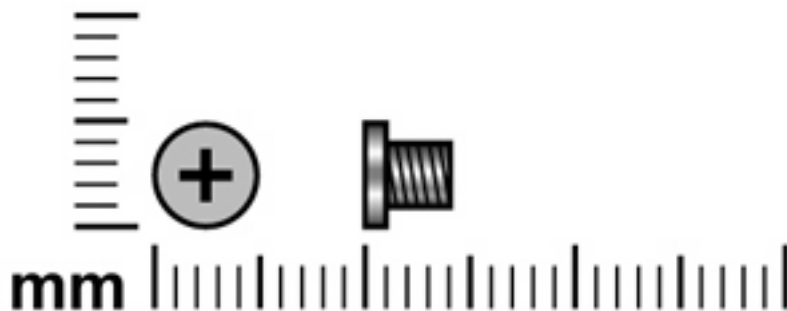


Color	Quantity	Length	Thread	Head diameter
Silver	1	12.0 mm	2.5 mm	5.0 mm

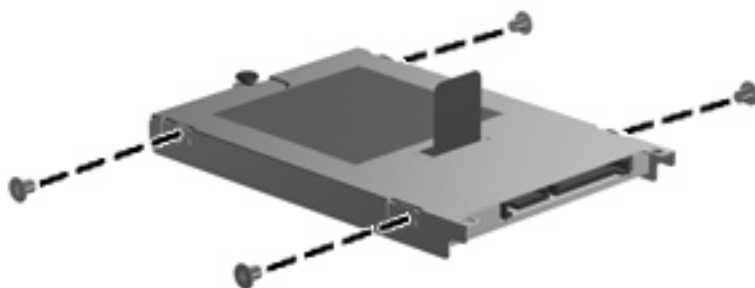


Where used: One captive screw that secures the hard drive to the computer

Phillips PM3.0×4.0 screw

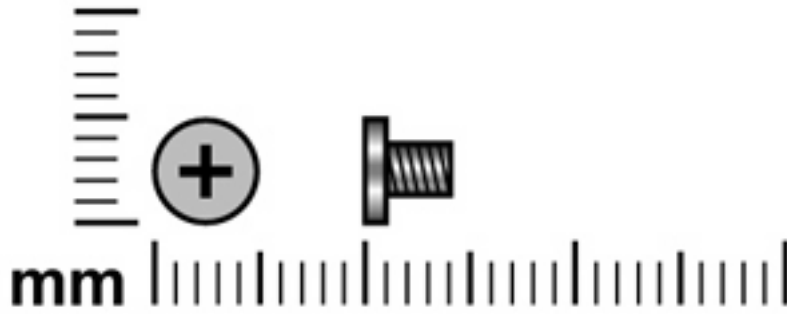


Color	Quantity	Length	Thread	Head diameter
Silver	4	4.0 mm	3.0 mm	5.0 mm

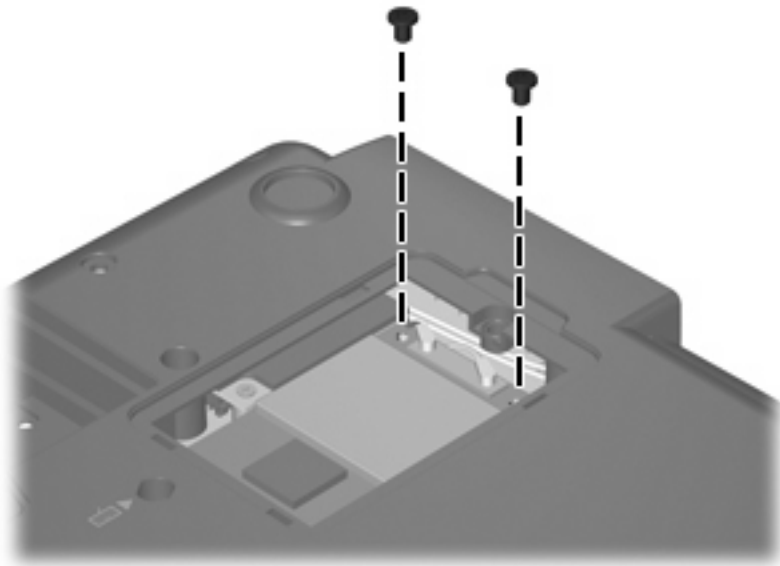


Where used: 4 screws that secure the hard drive bracket to the hard drive

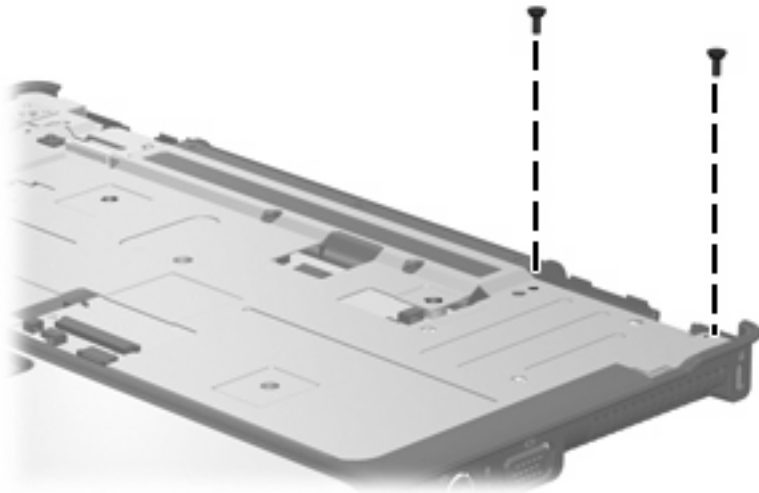
Phillips PM2.5×4.0 screw



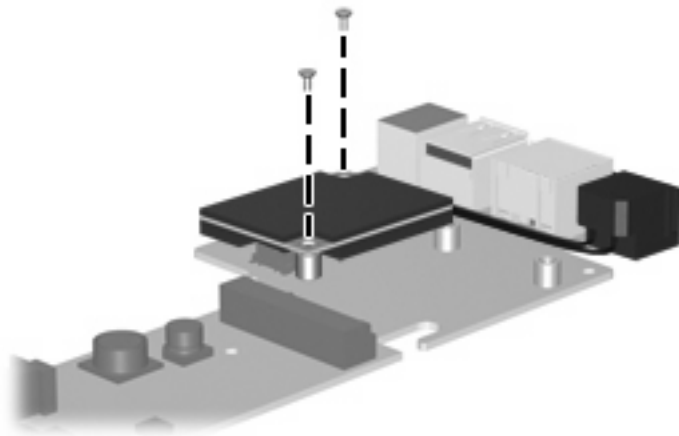
Color	Quantity	Length	Thread	Head diameter
Black	6	4.0 mm	2.5 mm	5.0 mm



Where used: 2 screws that secure the WLAN module to the system board

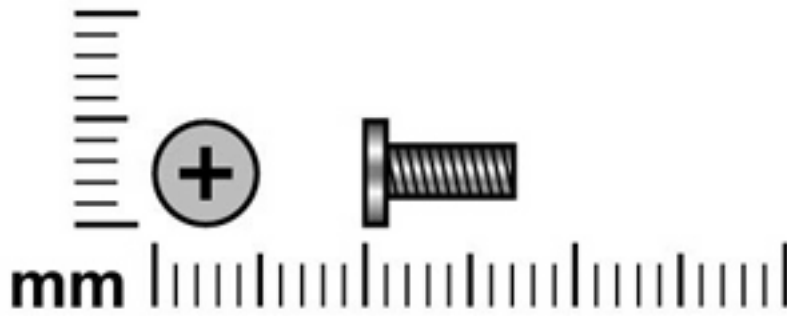


Where used: 2 screws that secure the top cover to the base enclosure

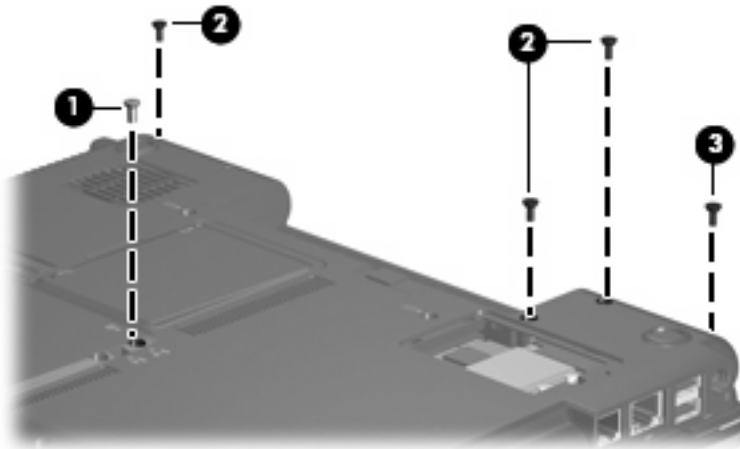


Where used: 2 screws that secure the modem module to the system board

Phillips PM2.5×7.0 screw

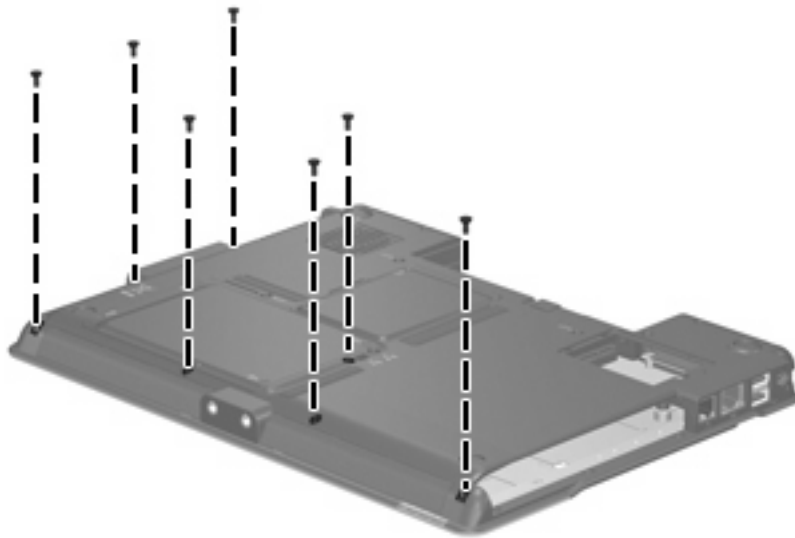


Color	Quantity	Length	Thread	Head diameter
Black	14	7.0 mm	2.5 mm	5.0 mm

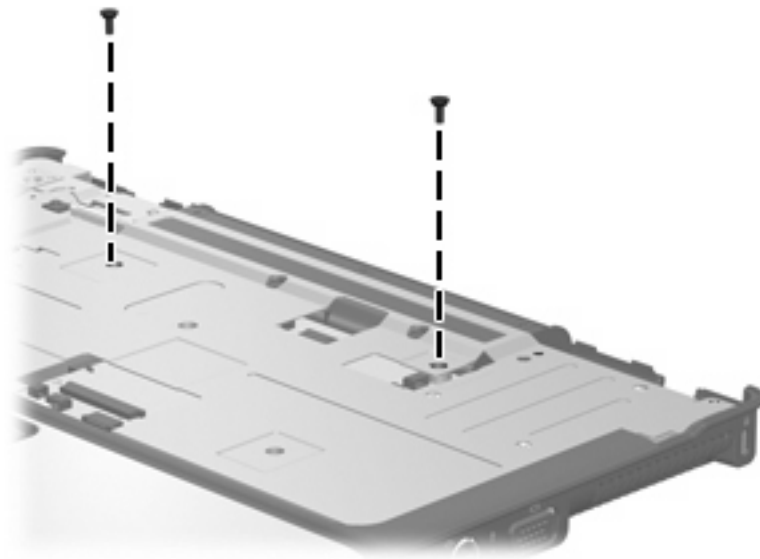


Where used:

- (1) One screw that secures the optical drive to the computer
- (2) Three screws that secure the switch cover to the computer
- (3) One screw that secures the display assembly to the computer

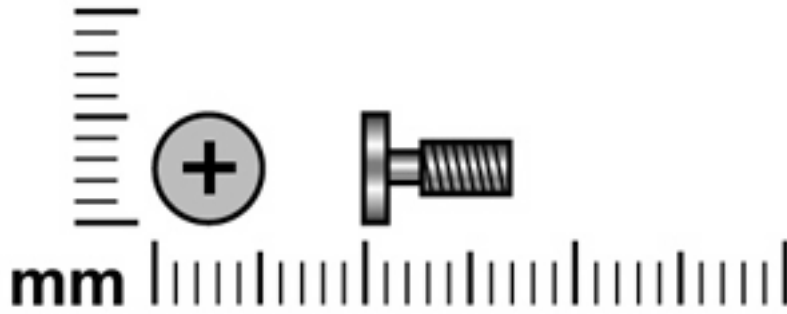


Where used: 7 screws that secure the top cover to the base enclosure

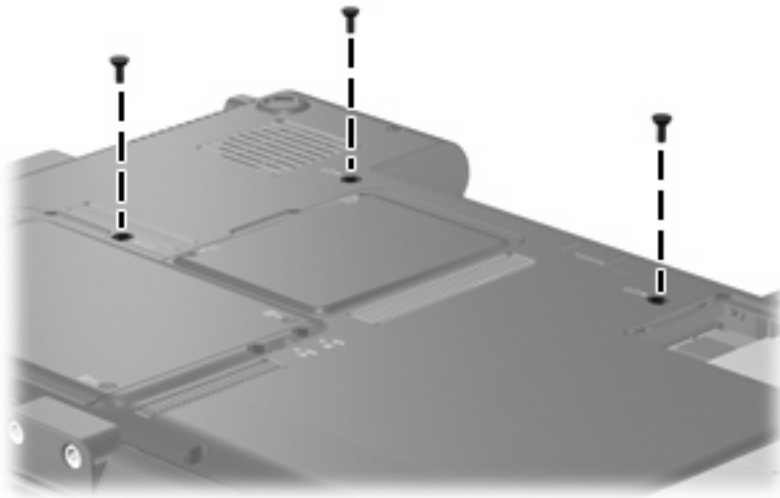


Where used: 2 screws that secure the top cover to the base enclosure

Phillips PM2.5×7.0 captive screw

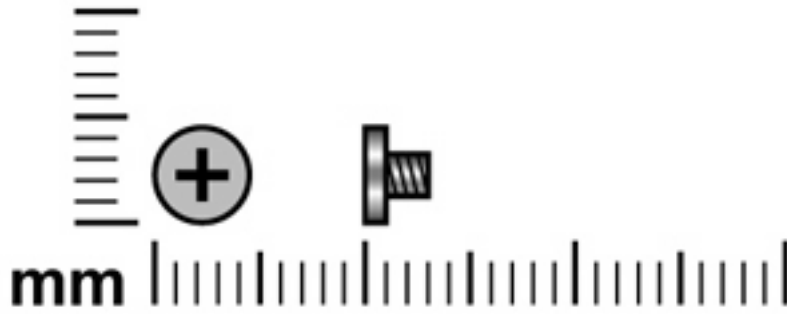


Color	Quantity	Length	Thread	Head diameter
Black	3	7.0 mm	2.5 mm	5.0 mm

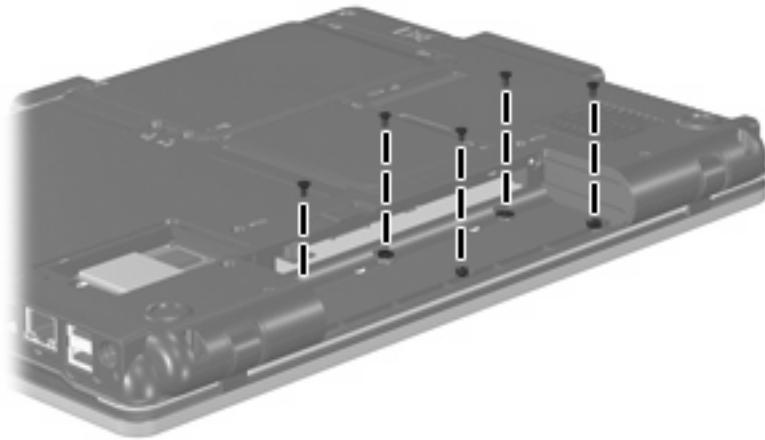


Where used: 3 captive screws that secure the keyboard to the computer

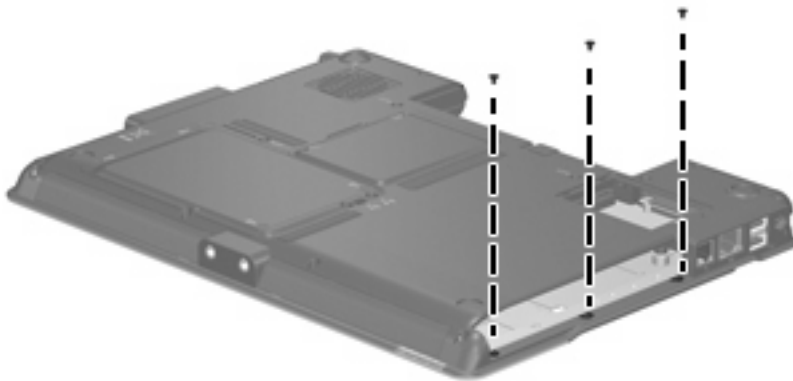
Phillips PM2.0×3.0 screw



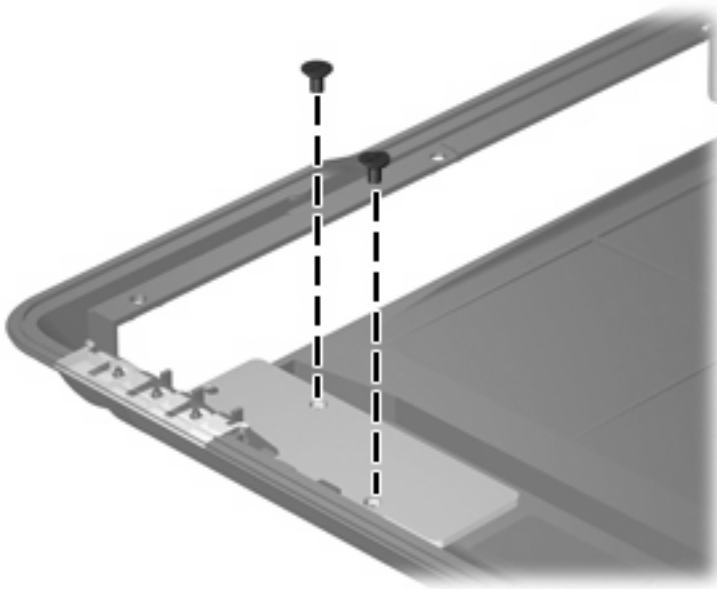
Color	Quantity	Length	Thread	Head diameter
Silver	10	3.0 mm	2.0 mm	4.5 mm



Where used: 5 screws that secure the switch cover to the computer

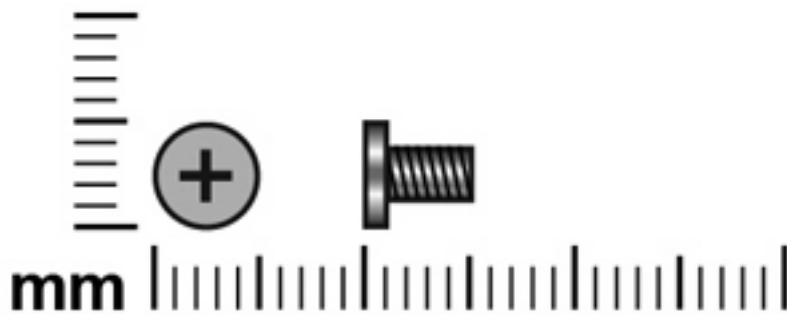


Where used: 3 screws that secure the top cover to the base enclosure

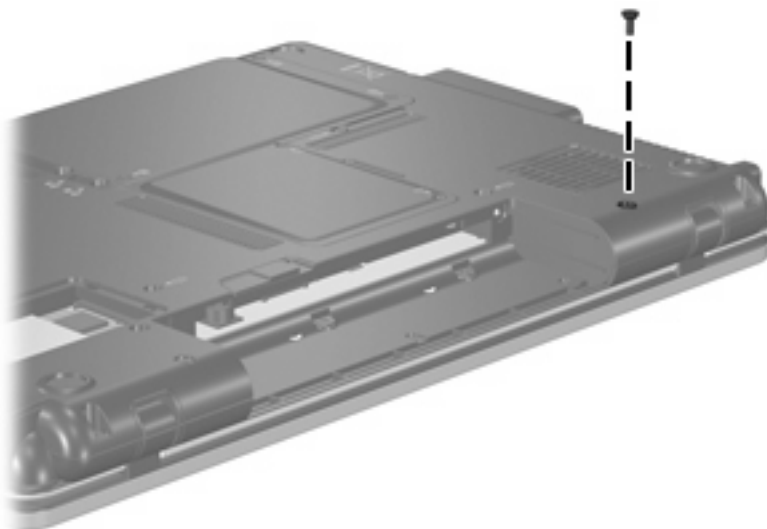


Where used: 2 screws that secure the front LED board to the base enclosure

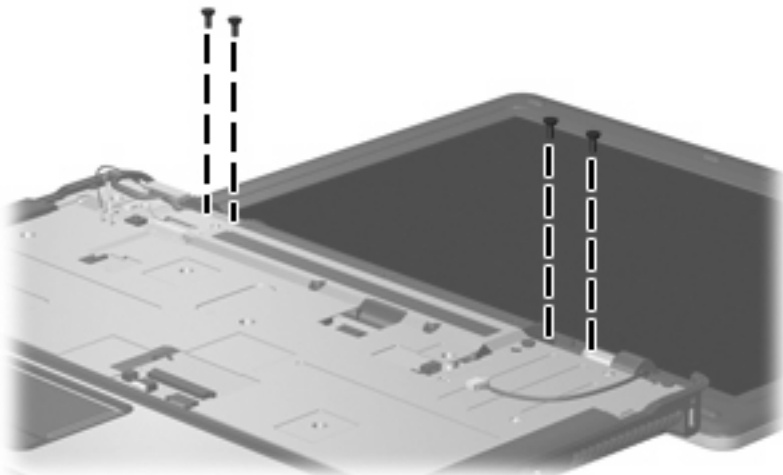
Phillips PM2.5×5.0 screw



Color	Quantity	Length	Thread	Head diameter
Black	5	5.0 mm	2.5 mm	5.0 mm

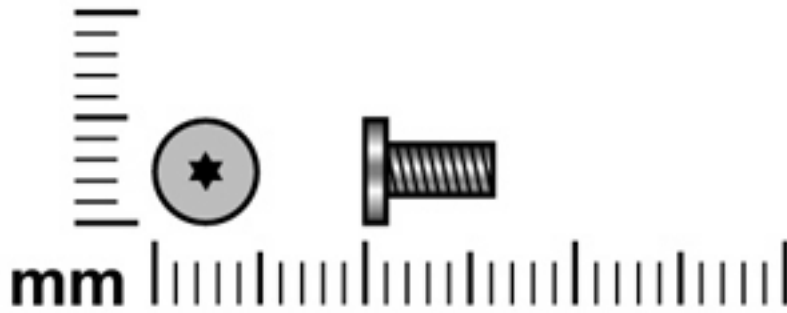


Where used: One screw that secures the display assembly to the computer

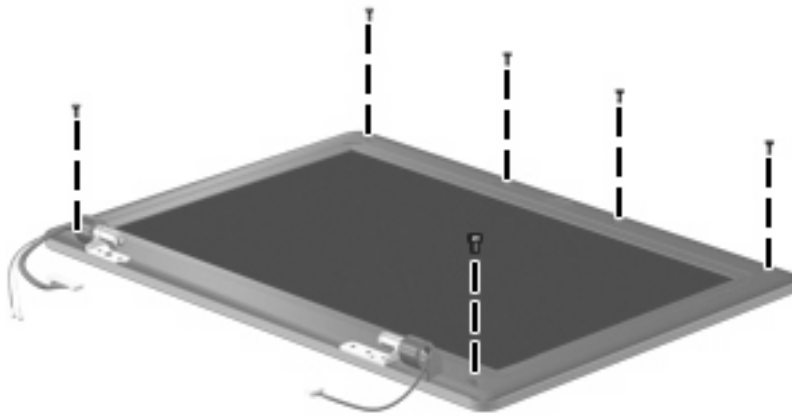


Where used: 4 screws that secure the display assembly to the computer

Torx T8M2.5×6.0 screw

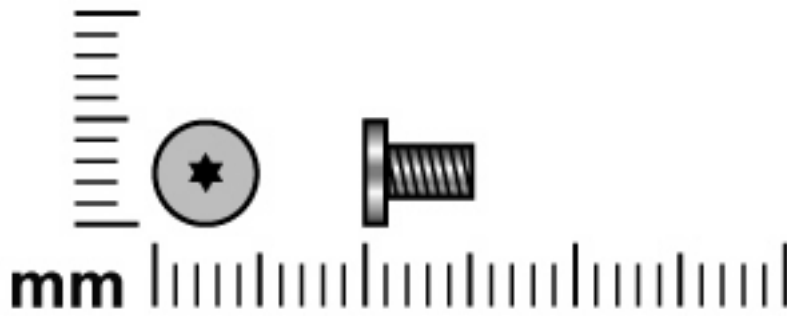


Color	Quantity	Length	Thread	Heat diameter
Black	6	6.0 mm	2.5 mm	5.0 mm

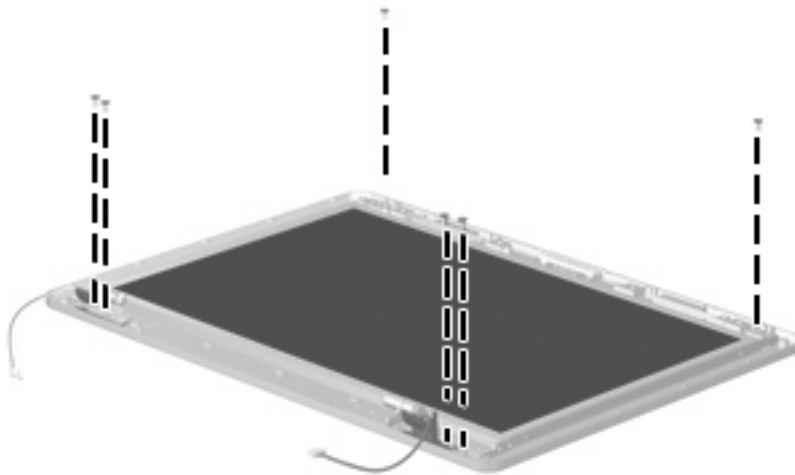


Where used: 6 screws that secure the display bezel to the display assembly

Torx T8M2.5×5.0 screw

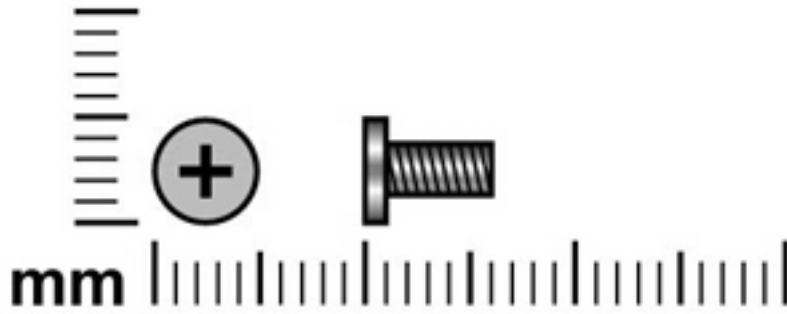


Color	Quantity	Length	Thread	Head diameter
Black	6	5.0 mm	2.5mm	5.0 mm

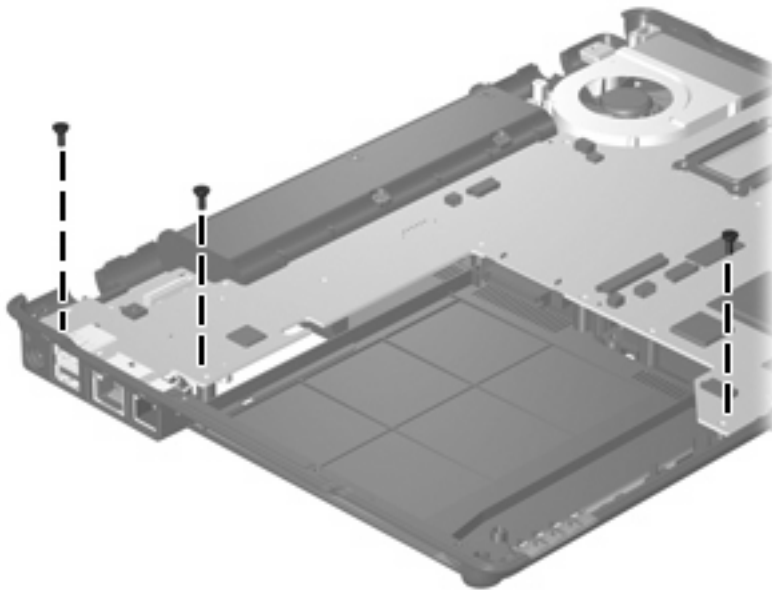


Where used: 6 screws that secure the display panel to the display enclosure

Phillips PM2.5×6.0 screw

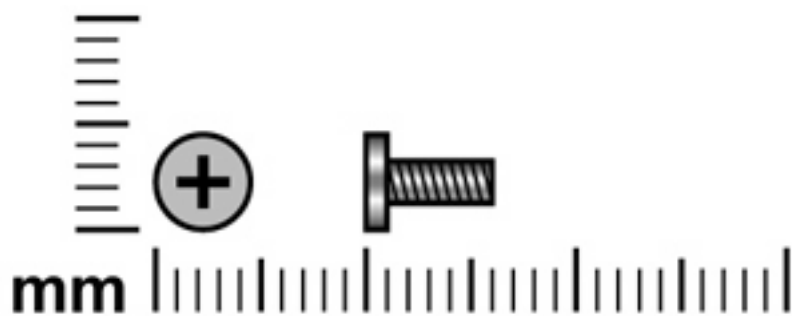


Color	Quantity	Length	Thread	Head diameter
Black	3	6.0 mm	2.5 mm	5.0 mm

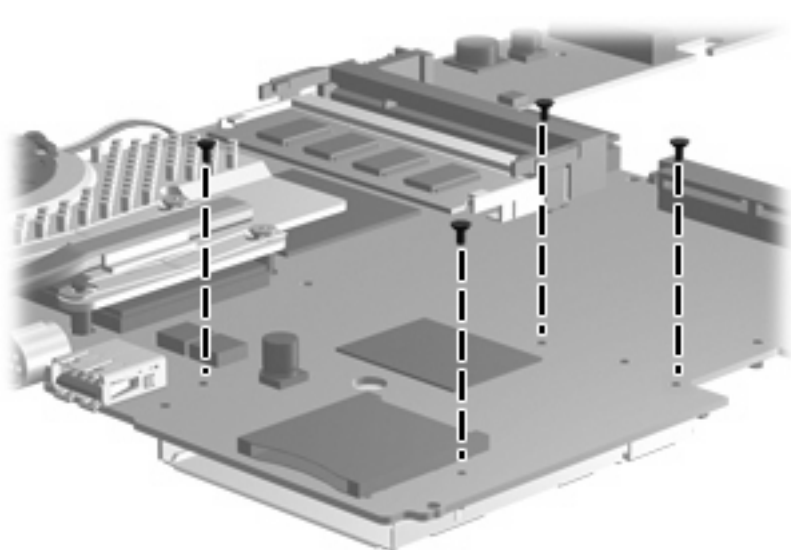


Where used: 3 screws that secure the system board to the base enclosure

Phillips PM2.0×6.0 screw

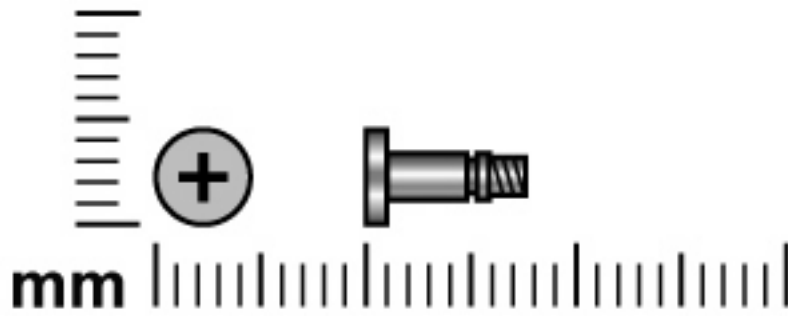


Color	Quantity	Length	Thread	Head diameter
Silver	4	6.0 mm	2.0 mm	4.5 mm

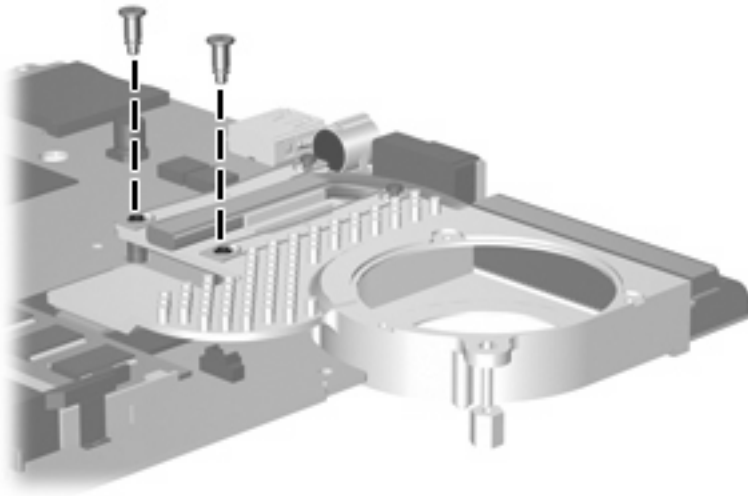


Where used: 4 screws that secure the ExpressCard assembly to the system board

Phillips PM2.0×6.0 shoulder screw



Color	Quantity	Length	Thread	Head diameter
Silver	2	6.0 mm	2.0 mm	5.0 mm



Where used: 2 shoulder screws that secure the heat sink to the system board

8 Backup and recovery


Backup and recovery in Windows Vista

Creating recovery discs

After setting up the computer for the first time, be sure to create a set of recovery discs of the full factory image. The recovery discs are used to start up (boot) the computer and recover the operating system and software to factory settings in case of system instability or failure.

Note the following guidelines before creating recovery discs:

- Use any of the following types of discs: CD-R, DVD+R, DVD+R DL, DVD-R, or DVD-R DL (purchased separately). The discs you use will depend on the type of optical drive installed in your computer. Because DVDs store more information than CDs, DVDs and DVDs with double-layer (DL) support reduce the number of discs required.


 **NOTE:** Read-write discs, such as CD-RW, DVD+RW, and DVD-RW, are not compatible with the HP Backup & Recovery Manager software.

- The computer must be connected to AC power during the process.
- Only one set of the recovery discs can be created per computer.
- Number each disc before inserting it into the optical drive of the computer.
- If necessary, you can cancel the disc creation before you have finished creating the recovery discs. The next time you select **Create a set of recovery discs (Recommended)**, you will be prompted to continue the disc creation.

To create a set of recovery discs:

1. Select **Start > All Programs > HP Backup & Recovery > Backup & Recovery Manager**.
2. Click **Next**.
3. Click **Create a set of recovery discs (Recommended)**, and then click **Next**.
4. Follow the on-screen instructions.

Backing up your information

 **NOTE:** You can only recover files that you have previously backed up. HP recommends that you use HP Backup & Recovery Manager to create an entire drive backup as soon as you set up your computer.

With HP Backup & Recovery Manager, you can perform the following tasks:

- Backing up your information regularly to protect your important system files
- Creating system recovery points that allow you to reverse undesirable changes to your computer by restoring the computer to an earlier state
- Scheduling backups at specific intervals or events

When to back up

- On a regularly scheduled basis

 **NOTE:** Set reminders to back up your information periodically.

- Before the computer is repaired or restored
- Before you add or modify hardware or software


Backup suggestions

- Create a set of recovery discs using HP Backup & Recovery Manager.
- Create system recovery points using HP Backup & Recovery Manager, and periodically copy them to disc.
- Store personal files in the Documents folder and back up these folders periodically.
- Back up templates stored in their associated programs.
- Save customized settings in a window, toolbar, or menu bar by taking a screen shot of your settings.

The screen shot can be a time saver if you have to reset your preferences.

To copy the screen and paste it into a word-processing document:

- a. Display the screen.
- b. Copy the screen.
To copy only the active window, press **alt+fn+prt sc**.
To copy the entire screen, press **fn+prt sc**.
- c. Open a word-processing document, and then select **Edit > Paste**.

 **NOTE:** Before you can perform backup and recovery procedures, the computer must be connected to external power.

NOTE: Drivers, utilities, and software installed by HP can be copied to a CD or to a DVD using HP Backup & Recovery Manager.

Backing up specific files or folders

You can back up specific files or folders to the recovery partition on the hard drive, to an optional external hard drive, or to optical discs (CDs or DVDs).


 **NOTE:** This process will take several minutes, depending on the file size and the speed of the computer.

To back up specific files or folders:

1. Select **Start > All Programs > HP Backup & Recovery > Backup & Recovery Manager**.
2. Click **Next**.
3. Click **Create or manage backups**, and then click **Next**.
4. Click **Back up user created files and folders**, and then click **Next**.
5. Follow the on-screen instructions.

Backing up the entire hard drive

When you perform a complete backup of the hard drive, you are saving the full factory image, including the Windows® operating system, software, and all personal files and folders.

 **NOTE:** A copy of the entire hard drive image can be stored on another hard drive, on a network drive, or on recovery discs that you create.


NOTE: This process may take over an hour, depending on your computer speed and the amount of data being stored.

To back up your entire hard drive:

1. Select **Start > All Programs > HP Backup & Recovery > Backup & Recovery Manager**.
2. Click **Next**.
3. Click **Create or manage backups**, and then click **Next**.
4. Click **Create or manage Entire Drive Backups**, and then click **Next**.
5. Follow the on-screen instructions.


Creating recovery points

When you back up modifications since your last backup, you are creating system recovery points. This allows you to save a snapshot of your hard drive at a specific point in time. You can then recover back to that point if you want to reverse subsequent changes made to your system.

 **NOTE:** The first system recovery point, a snapshot of the entire image, is automatically created the first time you perform a backup. Subsequent recovery points make copies of changes made after that time.

HP recommends that you create recovery points at the following times:

- Before you add or extensively modify software or hardware
- Periodically, whenever the system is performing optimally

 **NOTE:** Recovering to an earlier recovery point does not affect data files or e-mails created since that recovery point.

To create a system recovery point:

1. Select **Start > All Programs > HP Backup & Recovery > Backup & Recovery Manager**.
2. Click **Next**.
3. Click **Create or manage backups**, and then click **Next**.
4. Click **Create or manage Recovery Points**, and then click **Next**.
5. Follow the on-screen instructions.


Scheduling backups

Use HP Backup Scheduler to schedule backups for the entire system, for recovery points, or for specific files and folders. With this tool, you can schedule backups at specific intervals (daily, weekly, or monthly) or at specific events, such as at system restart or when you dock to an optional docking station (select models only).

To schedule backups:

1. Select **Start > All Programs > HP Backup & Recovery > HP Backup Scheduler**.
2. Follow the on-screen instructions.

Performing a recovery

 **NOTE:** You can only recover files that you have previously backed up. HP recommends that you use HP Backup & Recovery Manager to create an entire drive backup as soon as you set up your computer.

HP Backup & Recovery Manager helps you with the following tasks for safeguarding your information and restoring it in case of a system failure:

- Recovering important files—This feature helps you reinstall important files without performing a full system recovery.
- Performing a full system recovery—With HP Backup & Recovery Manager, you can recover your full factory image if you experience system failure or instability. HP Backup & Recovery Manager works from a dedicated recovery partition on the hard drive or from recovery discs you create.

Performing a recovery from the recovery discs

To perform a recovery from the recovery discs, follow these steps:

1. Back up all personal files.
2. Insert the first recovery disc into the optical drive and restart the computer.
3. Follow the on-screen instructions.

Performing a recovery from the hard drive

There are 2 ways to initiate a recovery from the hard drive:

- From within Windows
- From the recovery partition

Initiating a recovery in Windows

To initiate a recovery in Windows, follow these steps:

1. Back up all personal files.
2. Select **Start > All Programs > HP Backup & Recovery > Backup & Recovery Manager**.
3. Click **Next**.
4. Click **Perform a recovery**, and then click **Next**.
5. Follow the on-screen instructions.

Initiating a recovery from the hard drive recovery partition

To initiate a recovery from the hard drive recovery partition, follow these steps:

1. Back up all personal files.
2. Restart the computer, and then press **f11** before the Windows operating system loads.
3. Click a recovery option, and then click **Next**.
4. Follow the on-screen instructions.


Backup and recovery in Windows XP

Creating recovery discs

After setting up the computer for the first time, be sure to create a set of recovery discs of the full factory image. The recovery discs are used to start up (boot) the computer and recover the operating system and software to factory settings in case of system instability or failure.

Note the following guidelines before creating recovery discs:

- Use any of the following types of discs: CD-R, DVD+R, DVD+R DL, DVD-R, or DVD-R DL (purchased separately). The discs you use will depend on the type of optical drive installed in your computer. Because DVDs store more information than CDs, DVDs and DVDs with double-layer (DL) support reduce the number of discs required.


 **NOTE:** Read-write discs, such as CD-RW, DVD+RW, and DVD-RW, are not compatible with the HP Backup and Recovery Manager software.

- The computer must be connected to AC power during the process.
- Only one set of the recovery discs can be created per computer.
- Number each disc before inserting it into the optical drive of the computer.
- If necessary, you can cancel the disc creation before you have finished creating the recovery discs. The next time you select **Create factory software recovery CDs or DVDs to recover the system (Highly recommended)**, you will be prompted to continue the disc creation.

To create a set of recovery discs:

1. Select **Start > All Programs > HP Backup & Recovery > HP Backup and Recovery Manager**.
2. Click **Next**.
3. Click **Create factory software recovery CDs or DVDs to recover the system (Highly recommended)**, and then click **Next**.
4. Follow the on-screen instructions.

Backing up your information

 **NOTE:** You can only recover files that you have previously backed up. HP recommends that you use HP Backup and Recovery Manager to create an entire drive backup as soon as you set up your computer.

With HP Backup and Recovery Manager, you can perform the following tasks:

- Backing up your information regularly to protect your important system files
- Creating system recovery points that allow you to reverse undesirable changes to your computer by restoring the computer to an earlier state
- Scheduling backups at specific intervals or events

When to back up

- On a regularly scheduled basis

 **NOTE:** Set reminders to back up your information periodically.

- Before the computer is repaired or restored
- Before you add or modify hardware or software

Backup suggestions

- Create a set of recovery discs using HP Backup and Recovery Manager.
- Create system recovery points using HP Backup and Recovery Manager, and periodically copy them to disc.
- Store personal files in the My Documents folder and back up these folders periodically.
- Back up templates stored in their associated programs.
- Save customized settings in a window, toolbar, or menu bar by taking a screen shot of your settings.

The screen shot can be a time saver if you have to reset your preferences.


To copy the screen and paste it into a word-processing document:

- a. Display the screen.
- b. Copy the screen.

To copy only the active window, press **alt+fn+prt sc**.

To copy the entire screen, press **fn+prt sc**.

- c. Open a word-processing document, and then select **Edit > Paste**.

 **NOTE:** Before you can perform backup and recovery procedures, the computer must be connected to external power.

NOTE: Drivers, utilities, and software installed by HP can be copied to a CD or to a DVD using HP Backup and Recovery Manager.

Backing up specific files or folders

You can back up specific files or folders to the recovery partition on the hard drive, to an optional external hard drive, or to optical discs (CDs or DVDs).

 **NOTE:** This process will take several minutes, depending on the file size and the speed of the computer.


To back up specific files or folders:

1. Select **Start > All Programs > HP Backup & Recovery > HP Backup and Recovery Manager**.
2. Click **Next**.
3. Click **Back up to protect system settings and important data files**, and then click **Next**.

4. Click **Back up individual files and folders**, and then click **Next**.
5. Follow the on-screen instructions.

Backing up the entire hard drive

When you perform a complete backup of the hard drive, you are saving the full factory image, including the Windows® operating system, software, and all personal files and folders.

 **NOTE:** A copy of the entire hard drive image can be stored on another hard drive, on a network drive, or on recovery discs that you create.


NOTE: This process may take over an hour, depending on your computer speed and the amount of data being stored.

To back up your entire hard drive:

1. Select **Start > All Programs > HP Backup & Recovery > HP Backup and Recovery Manager**.
2. Click **Next**.
3. Click **Back up to protect system settings and important data files**, and then click **Next**.
4. Click **Back up entire hard drive**, and then click **Next**.
5. Follow the on-screen instructions.


Creating recovery points

When you back up modifications since your last backup, you are creating system recovery points. This allows you to save a snapshot of your hard drive at a specific point in time. You can then recover back to that point if you want to reverse subsequent changes made to your system.

 **NOTE:** The first system recovery point, a snapshot of the entire image, is automatically created the first time you perform a backup. Subsequent recovery points make copies of changes made after that time.

HP recommends that you create recovery points at the following times:

- Before you add or extensively modify software or hardware
- Periodically, whenever the system is performing optimally

 **NOTE:** Recovering to an earlier recovery point does not affect data files or e-mails created since that recovery point.

To create a system recovery point:

1. Select **Start > All Programs > HP Backup & Recovery > HP Backup and Recovery Manager**.
2. Click **Next**.
3. Click **Back up to protect system settings and important data files**, and then click **Next**.
4. Click **Create or manage Recovery Points**, and then click **Next**.
5. Follow the on-screen instructions.


Scheduling backups

Use HP Backup Scheduler to schedule backups for the entire system, for recovery points, or for specific files and folders. With this tool, you can schedule backups at specific intervals (daily, weekly, or monthly) or at specific events, such as at system restart or when you dock to an optional docking station (select models only).

To schedule backups:

1. Select **Start > All Programs > HP Backup & Recovery > HP Backup Scheduler**.
2. Follow the on-screen instructions.

Performing a recovery

 **NOTE:** You can only recover files that you have previously backed up. HP recommends that you use HP Backup and Recovery Manager to create an entire drive backup as soon as you set up your computer.

HP Backup and Recovery Manager helps you with the following tasks for safeguarding your information and restoring it in case of a system failure:

- Recovering important files—This feature helps you reinstall important files without performing a full system recovery.
- Performing a full system recovery—With HP Backup and Recovery Manager, you can recover your full factory image if you experience system failure or instability. HP Backup and Recovery Manager works from a dedicated recovery partition on the hard drive or from recovery discs you create.

Performing a recovery from the recovery discs

To perform a recovery from the recovery discs, follow these steps:

1. Back up all personal files.
2. Insert the first recovery disc into the optical drive and restart the computer.
3. Follow the on-screen instructions.

Performing a recovery from the hard drive

There are 2 ways to initiate a recovery from the hard drive:

- From within Windows
- From the recovery partition

Initiating a recovery in Windows

To initiate a recovery in Windows, follow these steps:

1. Back up all personal files.
2. Select **Start > All Programs > HP Backup & Recovery > HP Backup and Recovery Manager**.
3. Click **Next**.
4. Click **Recover important files or the entire system**, and then click **Next**.
5. Follow the on-screen instructions.

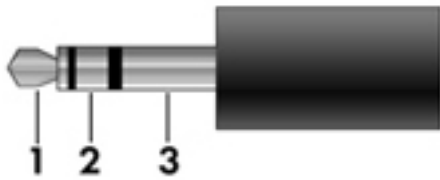
Initiating a recovery from the hard drive recovery partition

To initiate a recovery from the hard drive recovery partition, follow these steps:

1. Back up all personal files.
2. Restart the computer, and then press **f11** before the Windows operating system loads.
3. Click a recovery option, and then click **Next**.
4. Follow the on-screen instructions.

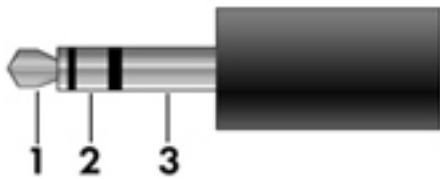
9 Connector pin assignments

Audio-out (headphone)



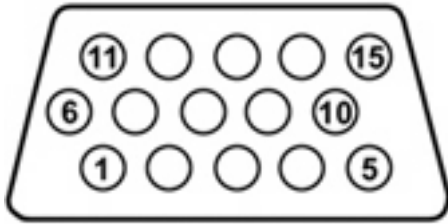
Pin	Signal
1	Audio out, left channel
2	Audio out, right channel
3	Ground

Audio-in (microphone)



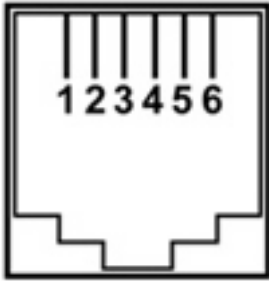
Pin	Signal
1	Audio signal in
2	Audio signal in
3	Ground

External monitor



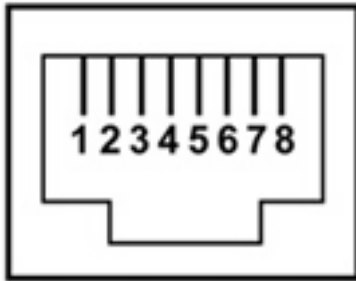
Pin	Signal
1	Red analog
2	Green analog
3	Blue analog
4	Not connected
5	Ground
6	Ground analog
7	Ground analog
8	Ground analog
9	+5 VDC
10	Ground
11	Monitor detect
12	DDC 2B data
13	Horizontal sync
14	Vertical sync
15	DDC 2B clock

RJ-11 (modem)



Pin	Signal
1	Unused
2	Tip
3	Ring
4	Unused
5	Unused
6	Unused

RJ-45 (network)



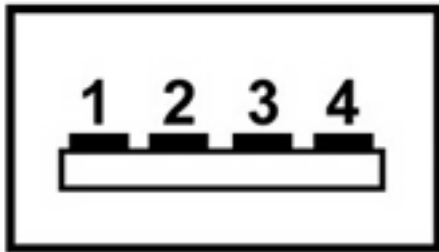
Pin	Signal
1	Transmit +
2	Transmit -
3	Receive +
4	Unused
5	Unused
6	Receive -
7	Unused
8	Unused

S-Video-out



Pin	Signal
1	S-VHS color (C) signal
2	Composite video signal
3	S-VHS intensity (Y) signal
4	S-VHS color ground
5	TV-CD
6	S-VHS intensity ground
7	Composite video ground

Universal Serial Bus



Pin	Signal
1	+5 VDC
2	Data -
3	Data +
4	Ground

10 Power cord set requirements

The wide range input feature of the computer permits it to operate from any line voltage from 100 to 120 volts AC or from 220 to 240 volts AC.

The 3-conductor power cord set included with the computer meets the requirements for use in the country or region where the equipment is purchased.

Power cord sets for use in other countries and regions must meet the requirements of the country or region where the computer is used.

Requirements for all countries and regions

The requirements listed below are applicable to all countries and regions:

- The length of the power cord set must be at least 1.5 m (5.0 ft) and no more than 2.0 m (6.5 ft).
- All power cord sets must be approved by an acceptable accredited agency responsible for evaluation in the country or region where the power cord set will be used.
- The power cord sets must have a minimum current capacity of 10 amps and a nominal voltage rating of 125 or 250 V AC, as required by the power system of each country or region.
- The appliance coupler must meet the mechanical configuration of an EN 60 320/IEC 320 Standard Sheet C13 connector for mating with the appliance inlet on the back of the computer.

Requirements for specific countries and regions

Country/region	Accredited agency	Applicable note number
Australia	EANSW	1
Austria	OVE	1
Belgium	CEBC	1
Canada	CSA	2
Denmark	DEMKO	1
Finland	FIMKO	1
France	UTE	1
Germany	VDE	1
Italy	IMQ	1
Japan	METI	3
Korea	EK	4
The Netherlands	KEMA	1
Norway	NEMKO	1
The People's Republic of China	CCC	5
Sweden	SEMKO	1
Switzerland	SEV	1
Taiwan	BSMI	4
The United Kingdom	BSI	1
The United States	UL	2

1. The flexible cord must be Type HO5VV-F, 3-conductor, 1.0-mm² conductor size. Power cord set fittings (appliance coupler and wall plug) must bear the certification mark of the agency responsible for evaluation in the country or region where it will be used.
2. The flexible cord must be Type SPT-3 or equivalent, No. 18 AWG, 3-conductor. The wall plug must be a two-pole grounding type with a NEMA 5-15P (15 A, 125 V) or NEMA 6-15P (15 A, 250 V) configuration.
3. The appliance coupler, flexible cord, and wall plug must bear a "T" mark and registration number in accordance with the Japanese Dentori Law. The flexible cord must be Type VCT or VCTF, 3-conductor, 1.00-mm² conductor size. The wall plug must be a two-pole grounding type with a Japanese Industrial Standard C8303 (7 A, 125 V) configuration.
4. The flexible cord must be Type RVV, 3-conductor, 0.75-mm² conductor size. Power cord set fittings (appliance coupler and wall plug) must bear the certification mark of the agency responsible for evaluation in the country or region where it will be used.
5. The flexible cord must be Type VCTF, 3-conductor, 0.75-mm² conductor size. Power cord set fittings (appliance coupler and wall plug) must bear the certification mark of the agency responsible for evaluation in the country or region where it will be used.

11 Recycling

Battery

When a battery has reached the end of its useful life, do not dispose of the battery in general household waste. Follow the local laws and regulations in your area for computer battery disposal.

Display

-
- ⚠ **WARNING!** The backlight contains mercury. Exercise caution when removing and handling the backlight to avoid damaging this component and causing exposure to the mercury.
 - ⚠ **CAUTION:** The procedures in this appendix can result in damage to display components. The only components intended for recycling purposes are the liquid crystal display (LCD) panel and the backlight. Careful handling must be exercised when removing these components. When you remove these components, handle them carefully.
 - 📄 **NOTE: Materials Disposal.** This HP product contains mercury in the backlight in the display assembly that might require special handling at end-of-life. Disposal of mercury may be regulated because of environmental considerations. For disposal or recycling information, contact your local authorities, or see the Electronic Industries Alliance (EIA) Web site at <http://www.eiae.org>.
-

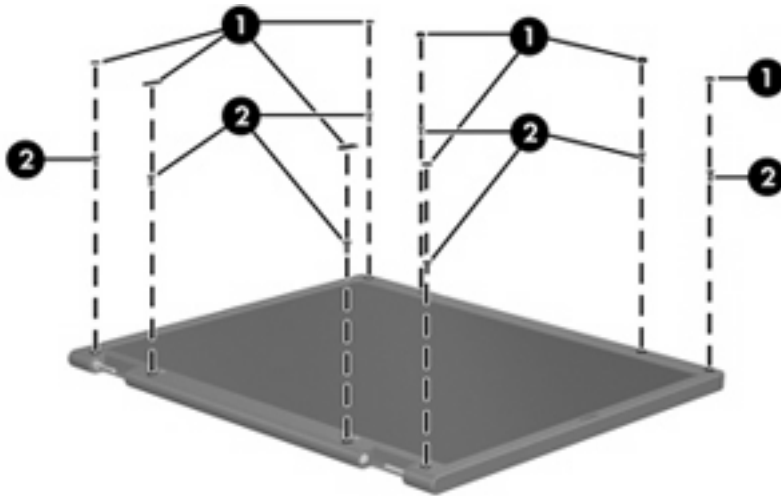
This section provides disassembly instructions for the display assembly. The display assembly must be disassembled to gain access to the backlight **(1)** and the liquid crystal display (LCD) panel **(2)**.



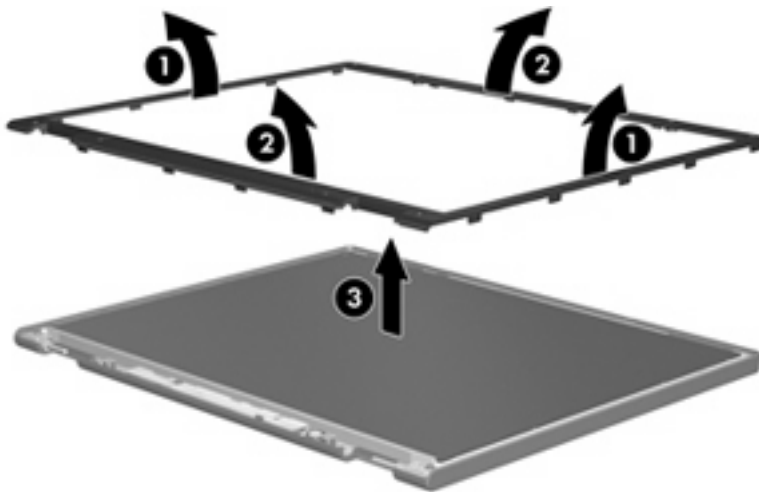
-
- 📄 **NOTE:** The procedures provided in this appendix are general disassembly instructions. Specific details, such as screw sizes, quantities, and locations, and component shapes and sizes, can vary from one computer model to another.
-

Perform the following steps to disassemble the display assembly:

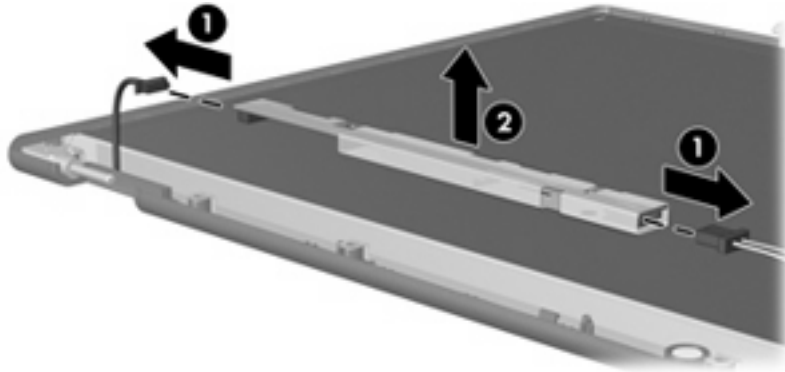
1. Remove all screw covers **(1)** and screws **(2)** that secure the display bezel to the display assembly.



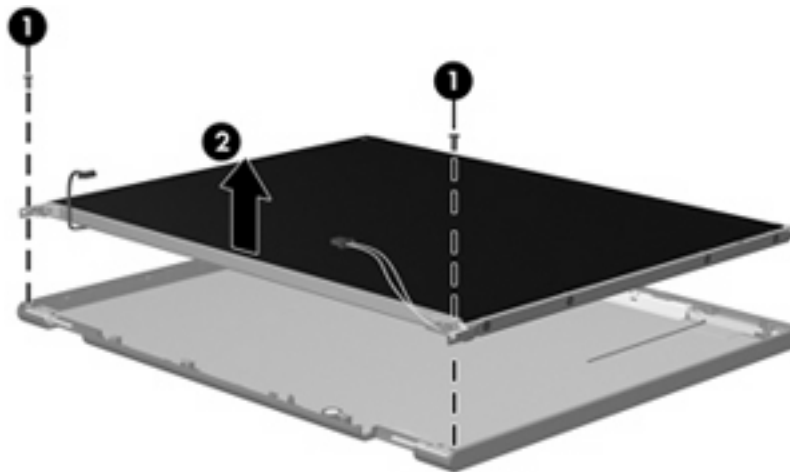
2. Lift up and out on the left and right inside edges **(1)** and the top and bottom inside edges **(2)** of the display bezel until the bezel disengages from the display assembly.
3. Remove the display bezel **(3)**.



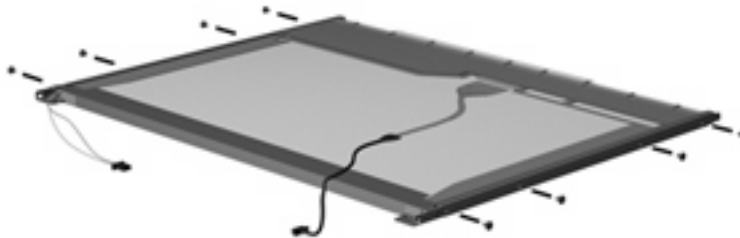
4. Disconnect all display panel cables **(1)** from the display inverter and remove the inverter **(2)**.



5. Remove all screws **(1)** that secure the display panel assembly to the display enclosure.
6. Remove the display panel assembly **(2)** from the display enclosure.

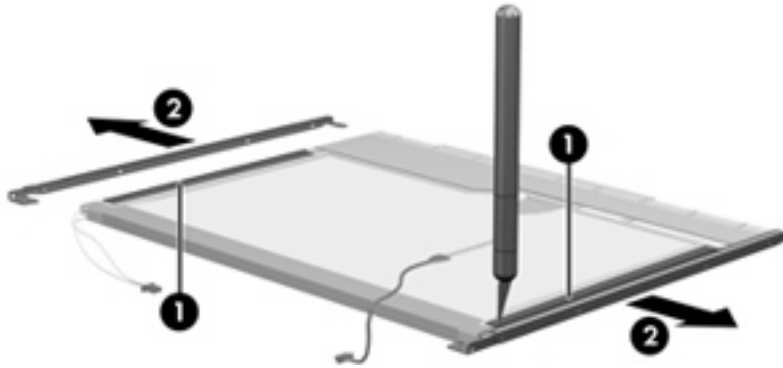


7. Turn the display panel assembly upside down.
8. Remove all screws that secure the display panel frame to the display panel.

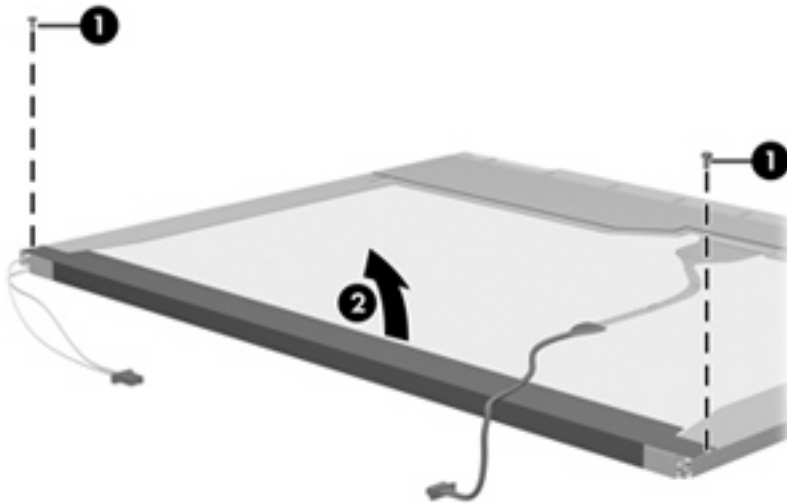


9. Use a sharp-edged tool to cut the tape **(1)** that secures the sides of the display panel to the display panel frame.

10. Remove the display panel frame **(2)** from the display panel.

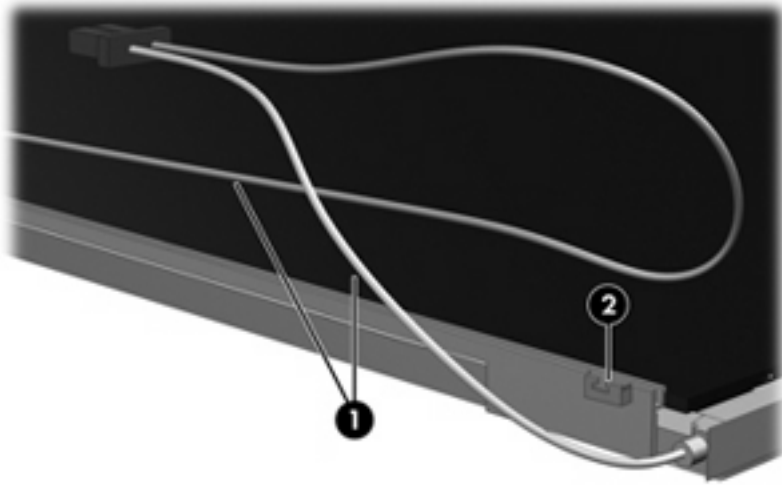


11. Remove the screws **(1)** that secure the backlight cover to the display panel.
12. Lift the top edge of the backlight cover **(2)** and swing it outward.



13. Remove the backlight cover.
14. Turn the display panel right-side up.

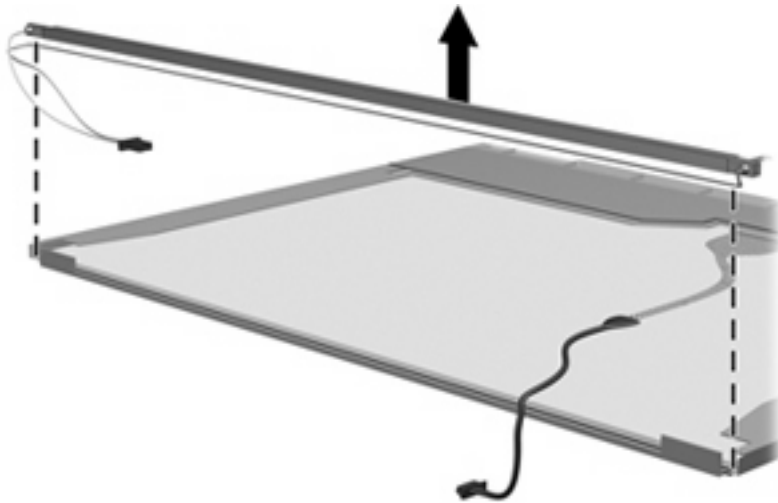
15. Remove the backlight cables (1) from the clip (2) in the display panel.



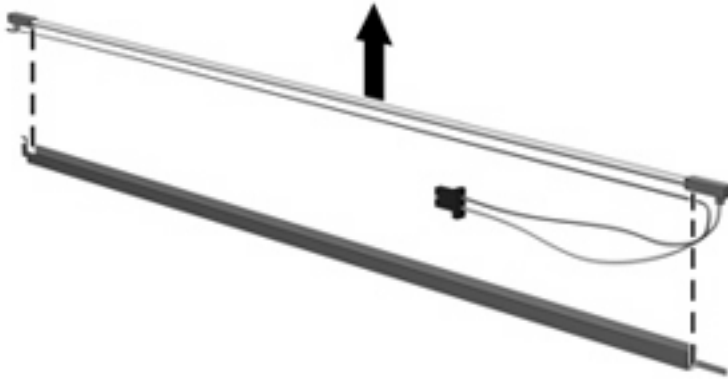
16. Turn the display panel upside down.

⚠ WARNING! The backlight contains mercury. Exercise caution when removing and handling the backlight to avoid damaging this component and causing exposure to the mercury.

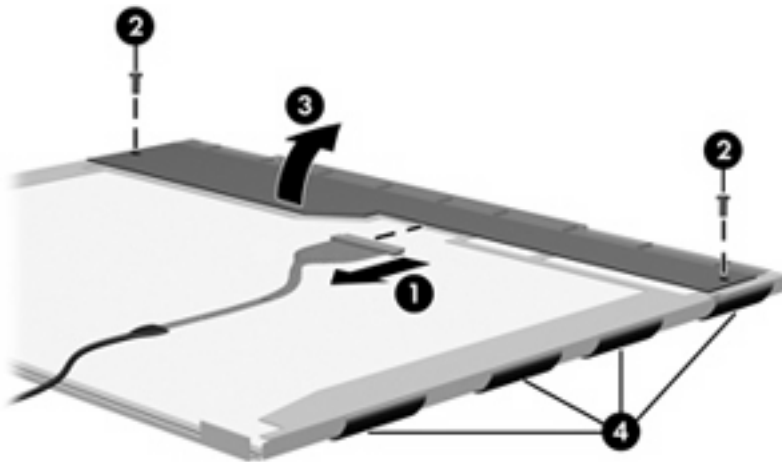
17. Remove the backlight frame from the display panel.



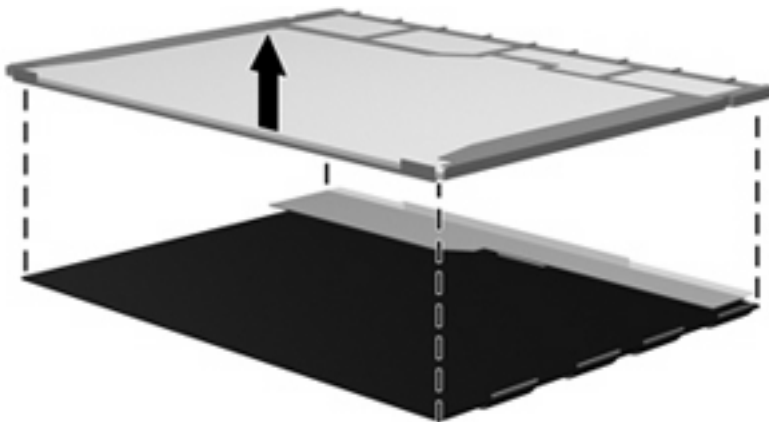
18. Remove the backlight from the backlight frame.



19. Disconnect the display panel cable (1) from the LCD panel.
20. Remove the screws (2) that secure the LCD panel to the display rear panel.
21. Release the LCD panel (3) from the display rear panel.
22. Release the tape (4) that secures the LCD panel to the display rear panel.



23. Remove the LCD panel.



24. Recycle the LCD panel and backlight.

Index

A

- AC adapter, spare part
 - number 24, 25
- antennae
 - locations 5
- antennae, disconnecting 44
- audio, product description 2
- audio-in jack
 - location 11
 - pin assignments 123
- audio-out jack
 - location 11
 - pin assignments 123

B

- backing up 111, 117
- backup
 - files and folders 112, 118
 - hard drive 113, 119
 - modifications made to the system 114, 120
 - scheduling 114, 120
- base enclosure screw cover, illustrated 23
- base enclosure, spare part
 - number 18, 27
- battery
 - location 14
 - removal 37
 - spare part numbers 18, 27, 37
- battery bay 14
- battery latch 14
- battery light 9, 11
- Bluetooth module
 - removal 61
 - spare part number 17, 25, 61
- Bluetooth module cable, illustrated 21

- boot options 81
- boot order 81
- bottom components 14
- buttons
 - info 7
 - power 7
 - presentation 7
 - TouchPad 6
 - volume mute 7
 - wireless 7

C

- Cable Kit
 - contents 21
 - spare part number 20, 21, 27
- cables, service considerations 30
- chipset, product description 1
- CMOS clearing 34
- components
 - bottom 14
 - buttons 7
 - display 5
 - fingerprint reader 7
 - front 11
 - keys 8
 - left-side 12
 - lights 9
 - pointing devices 6
 - right-side 13
 - switch 7
 - top 6
- computer feet
 - illustrated 23
 - locations 36
 - spare part number 36
- Computer Setup
 - accessing 77
 - Diagnostics menu 80
 - File menu 79

- navigating and selecting 78
- restoring factory settings 78
- Security menu 80
- System Configuration menu 81
- using 78
- computer specifications 83
- connectors
 - power 12
 - service considerations 30
- creating recovery points 114, 120

D

- Diagnostics menu 80
- Disk Sanitizer 80
- diskette drive
 - precautions 30
 - product description 2
- display assembly
 - removal 51
 - spare part number 17, 27, 51
- display bezel
 - removal 53
 - spare part number 17, 53
- display bezel, spare part number 28
- Display Cable Kit, spare part number 28
- display component recycling 131
- display components 5
- display enclosure
 - spare part number 17
- display enclosure, spare part number 27
- display hinge
 - removal 54
 - spare part number 17, 27, 55

- display inverter
 - removal 53
 - spare part number 17, 27, 54
- display panel
 - product description 1
 - removal 54
- display specifications 84
- drive light 9, 11
- DriveLock password 80
- drives
 - boot order 81
 - preventing damage 30
- DVD-ROM Drive
 - precautions 30
 - removal 45
 - spare part number 18, 23, 27, 45
 - specifications 87
- DVD/CD-RW Combo Drive
 - precautions 30
 - removal 45
 - spare part number 18, 23, 27, 45
 - specifications 86

- E**
- electrostatic discharge 31
- esc key 8
- Ethernet, product description 2
- Execution Disable 81
- ExpressCard assembly
 - removal 67
 - spare part number 17, 28, 67
- ExpressCard slot 13
- external media cards, product description 3
- external monitor port
 - location 13
 - pin assignments 124

- F**
- fan
 - removal 71
 - spare part number 18, 27, 71
- feet
 - illustrated 23

- locations 36
 - spare part number 36
- File menu 79
- fingerprint reader board
 - spare part number 28
- fn key 8
- front components 11
- front LED board
 - removal 60
 - spare part number 17, 27, 60
- function keys 8

- G**
- graphics, product description 1
- grounding equipment and methods 33

- H**
- hard drive
 - location 14
 - precautions 30
 - product description 2
 - removal 38
 - spare part numbers 20, 23, 27, 38
 - specifications 85
- hard drive backup 113, 119
- hard drive bay 14
- hard drive bracket, removal 39
- hard drive cover
 - illustrated 22
 - removal 38
- hard drive recovery 115, 121
- hard drive test 80
- headphone jack
 - location 11
 - pin assignments 123
- heat sink
 - removal 73
 - spare part number 18, 27, 73
- hinge
 - removal 54
 - spare part number 27, 55
- HP Fingerprint Sensor 8

- I**
- I/O address specifications 90
- info button 7
- interrupt specifications 89

- inverter
 - removal 53
 - spare part number 27

- J**
- jacks
 - audio-in 11
 - audio-out 11
 - headphone 11
 - microphone 11
 - modem 12
 - network 12
 - RJ-11 12
 - RJ-45 12
 - S-Video-out jack 13

- K**
- keyboard
 - product description 3
 - removal 47
 - spare part numbers 17, 27, 47
- keypad keys 8
- keys
 - esc 8
 - fn 8
 - function 8
 - keypad 8
 - Windows applications 8
 - Windows logo 8

- L**
- LAN Power Save 81
- language, changing in Computer Setup 81
- left-side components 12
- legacy support, Universal Serial Bus (USB) 77, 81
- lights
 - battery 9, 11
 - drive 9, 11
 - power 9, 11
 - volume down 10
 - volume mute 10
 - volume up 10
 - wireless 9, 11

- M**
- mass storage devices, spare part numbers 23
- Media Card Reader 13

- memory check 80
 - memory map specifications 92
 - memory module
 - product description 1
 - removal 40
 - spare part numbers 20, 25, 40
 - memory module compartment 14
 - memory module compartment cover
 - illustrated 22
 - removal 40
 - microphone
 - illustrated 21
 - location 13
 - product description 2
 - removal 64
 - microphone jack
 - location 11
 - pin assignments 123
 - Miscellaneous Display Kit, spare part number 28
 - model name 1
 - modem jack
 - location 12
 - pin assignments 125
 - modem module
 - product description 2
 - removal 69
 - spare part numbers 17, 26, 69
 - modem module cable, illustrated 21
 - monitor port
 - location 13
 - pin assignments 124
- N**
- navigating in Computer Setup 78
 - network jack
 - location 12
 - pin assignments 126
- O**
- operating system, product description 3
 - optical drive
 - location 12
 - precautions 30
 - product description 2
 - removal 45
 - spare part numbers 18, 23, 27, 45
 - specifications 86, 87
 - Optical Drive Bezel/Bracket Kit, spare part number 18, 27
 - optical drive light, location 12
- P**
- packing guidelines 32
 - parallel port mode 81
 - password clearing 34
 - passwords 80
 - PC Card slot bezel, illustrated 22
 - pin assignments
 - audio-in jack 123
 - audio-out jack 123
 - external monitor port 124
 - headphone jack 123
 - microphone jack 123
 - modem jack 125
 - monitor port 124
 - network jack 126
 - RJ-11 125
 - RJ-45 jack 126
 - S-Video-out 127
 - Universal Serial Bus (USB) port 128
 - plastic parts 29
 - Plastics Kit
 - contents 22
 - spare part number 17, 22, 27
 - pointing device components
 - illustrated 6
 - product description 3
 - TouchPad 6
 - TouchPad buttons 6
 - TouchPad scroll zone 6
 - ports
 - external monitor 13
 - monitor 13
 - product description 3
 - Universal Serial Bus (USB) 12, 13
 - power button 7
 - power connector 12
 - power cord
 - set requirements 129
 - spare part numbers 24, 25
 - power light 9, 11
 - power requirements, product description 3
 - power-on password 80
 - presentation button 7
 - processor
 - product description 1
 - removal 75
 - spare part numbers 18, 26, 27, 75
 - product description
 - audio 2
 - chipset 1
 - diskette drive 2
 - display panel 1
 - Ethernet 2
 - external media cards 3
 - graphics 1
 - hard drives 2
 - keyboard 3
 - memory module 1
 - microphone 2
 - modem module 2
 - operating system 3
 - optical drives 2
 - pointing devices 3
 - ports 3
 - power requirements 3
 - processors 1
 - product name 1
 - security 3
 - serviceability 4
 - wireless 2
 - product name 1
- R**
- recovery discs
 - creating 111, 117
 - using 115, 121
 - recovery partition 116, 122
 - recovery points 114, 120
 - removal/replacement
 - preliminaries 29
 - procedures 35
 - restoring Computer Setup factory settings 78
 - right-side components 13
 - RJ-11 jack
 - location 12
 - pin assignments 125

- RJ-45 jack
 - location 12
 - pin assignments 126
- RTC battery
 - removal 58
 - spare part number 17, 26, 58

S

- S-Video-out jack
 - location 13
 - pin assignments 127
- scheduling backups 114, 120
- Screw Kit
 - contents 93
 - spare part number 24, 27
- screw listing 93
- security cable slot 13
- Security menu 80
- security, product description 3
- selecting in Computer Setup 78
- serial number 15, 35
- service considerations 29
- serviceability, product description 4
- smart card security 80
- speaker assembly
 - removal 62
 - spare part number 17, 62
- speakers
 - spare part number 28
- specifications
 - computer 83
 - display 84
 - DVD-ROM Drive 87
 - DVD/CD-RW Combo Drive 86
 - hard drive 85
 - I/O addresses 90
 - interrupts 89
 - memory map 92
 - optical drive 86, 87
 - system DMA 88
- startup check 80
- static-shielding materials 33
- stringent security 80
- switch cover
 - removal 49
 - spare part number 17, 27, 49
- system backup 113, 119

- system board
 - removal 65
 - spare part number 17, 27, 65
- System Configuration menu 81
- system DMA 88
- system fan 81
- system information 79
- system memory map 92
- system recovery points 114, 120

T

- Thermal Material Kit, spare part number 18, 26, 73
- thermal material, replacement 74
- tools required 29
- top components 6
- top cover
 - removal 55
 - spare part number 17, 27, 55
- TouchPad 6
- TouchPad buttons 6
- TouchPad scroll zone 6
- transporting guidelines 32

U

- Universal Serial Bus (USB) legacy support 81
- Universal Serial Bus (USB) port
 - location 12, 13
 - pin assignments 128
- unknown password 34
- USB legacy support 77

V

- vents 13, 14
- volume down light 10
- volume mute button 7
- volume mute light 10
- volume scroll zone 8
- volume up light 10

W

- Windows applications key 8
- Windows logo key 8
- wireless antennae
 - disconnecting 44
 - locations 5
- wireless button 7
- wireless light 9, 11

- wireless, product description 2
- WLAN module
 - removal 42
 - spare part numbers 18, 25, 26, 42
- WLAN module compartment 14
- WLAN module compartment cover
 - illustrated 22
 - removal 43
- workstation guidelines 32

