
Compaq Notebook Series

Startup Guide

Notice

© 2002 Hewlett-Packard Company.

Microsoft, MS-DOS, and Windows are trademarks of Microsoft Corporation in the U.S. and/or other countries.

All other product names mentioned herein may be trademarks of their respective companies.

This product incorporates copyright protection technology that is protected by method claims of certain U.S. patents and other intellectual property rights owned by Macrovision Corporation and other rights owners. Use of this copyright protection technology must be authorized by Macrovision Corporation and is intended for home and other limited viewing uses only unless otherwise authorized by Macrovision Corporation. Reverse engineering or disassembly is prohibited.

HP shall not be liable for technical or editorial errors or omissions contained herein. The information is provided “as is” without warranty of any kind, and is subject to change without notice. The warranties for HP products are set forth in the express limited warranty statements accompanying such products. Nothing herein should be construed as constituting an additional warranty.

Compaq Notebook Series Startup Guide

First Edition (December 2002)

Reference Number: 2100/2500/N1050v

Part Number: 311027-001

Important Safety Information

CAUTION

To reduce the risk of fire, use only No. 26 AWG or larger telecommunications line cord to connect a modem to the telephone wall jack. In Australia, the notebook must be connected to the Telecommunication Network through a line cord that meets the requirements of ACA Technical Standard TS008.

When using your notebook with a telephone connection, always follow basic safety precautions to reduce the risk of fire, electric shock, and injury to persons.

- Do not use this product with a telephone connection near water (for example, near a bathtub, sink, swimming pool, or in a wet basement).
- Avoid using a telephone connection (other than a cordless type) during an electrical storm. There may be a remote risk of electric shock from lightning.
- Do not use a telephone connection to report a gas leak in the vicinity of the leak.
- Use only the power cord and batteries indicated in this manual. Do not dispose of batteries in a fire. They may explode. Check with local codes for possible special disposal instructions.
- Disconnect the modem cable before opening the notebook case or touching an uninsulated modem cable, jack, or internal component.
- Do not plug a modem cable or telephone cable into the network (LAN) receptacle.

WARNING

This is a Class B digital device, pursuant to Part 15 of the FCC Rules. For more Class B information, refer to the *Reference Guide on the Documentation Library CD*.

Software Product License Agreement

Your HP product contains software programs. CAREFULLY READ THIS LICENSE AGREEMENT BEFORE PROCEEDING TO OPERATE THIS EQUIPMENT. RIGHTS IN THE SOFTWARE ARE OFFERED ONLY ON THE CONDITION THAT THE CUSTOMER AGREES TO ALL TERMS AND CONDITIONS OF THE LICENSE AGREEMENT. PROCEEDING TO OPERATE THE EQUIPMENT INDICATES YOUR ACCEPTANCE OF THESE TERMS AND CONDITIONS. IF YOU DO NOT AGREE WITH THE TERMS OF THE LICENSE AGREEMENT, YOU MUST NOW EITHER REMOVE THE SOFTWARE FROM YOUR HARD DISK DRIVE AND DESTROY THE MASTER DISKETTES, OR RETURN THE COMPLETE HP PRODUCT AND SOFTWARE FOR A FULL REFUND. PROCEEDING WITH CONFIGURATION SIGNIFIES YOUR ACCEPTANCE OF THE LICENSE TERMS.

UNLESS OTHERWISE STATED BELOW, THIS HP SOFTWARE LICENSE AGREEMENT SHALL GOVERN THE USE OF ALL SOFTWARE THAT IS PROVIDED TO YOU AS PART OF THE HP PRODUCT AND SHALL SUPERSEDE ANY OTHER SOFTWARE WARRANTY STATEMENT THAT MAY BE INCLUDED IN THIS HP PRODUCT OR MAY BE FOUND ONLINE.

Operating system and software applications by Microsoft are licensed to you under the Microsoft License Agreement contained in the Microsoft documentation or displayed on your screen when Microsoft Software Products are launched.

For a PC supplied with a Microsoft operating system: When you start the PC and accept the Microsoft End-user License Agreement (“EULA”), your license rights are valid only if a Certificate of Authenticity (“COA”) label corresponding to your Microsoft operating system is provided with your PC. The COA label can usually be found on the bottom of the notebook. If the COA label does not correspond to your Microsoft operating system or is missing, contact your HP reseller for details.

Other non-HP Software and Operating Systems are covered by the appropriate vendor license. The following License Terms govern the use of the HP software:

USE. Customer may use the software on any one HP product. Customer may not network the software or otherwise use it on more than one HP product. Customer may not reverse assemble or decompile the software unless authorized by law.

COPIES AND ADAPTATIONS. Customer may make copies or adaptations of the software (a) for archival purposes or (b) when copying or adaptation is an essential step in the use of the software with an HP product so long as the copies and adaptations are used in no other manner.

OWNERSHIP. Customer agrees that he/she does not have any title or ownership of the software, other than ownership of the physical media. Customer acknowledges and agrees that the software is copyrighted and protected under the copyright laws. Customer acknowledges and agrees that the software may have been developed by a third party software supplier named in the copyright notices included with the software, who shall be authorized to hold the Customer responsible for any copyright infringement or violation of this Agreement.

PRODUCT RECOVERY CD-ROM or DVD. If your HP product was shipped with a product recovery CD-ROM or DVD: (i) The product recovery CD-ROM or DVD and/or support utility software may only be used for restoring the hard disk of the HP product with which the product recovery CD-ROM or DVD was originally provided. (ii) The use of any operating system software by Microsoft contained in any such product recovery CD-ROM or DVD shall be governed by the Microsoft License Agreement.

TRANSFER OF RIGHTS IN SOFTWARE. Customer may transfer rights in the software to a third party only as part of the transfer of all rights and only if Customer obtains the prior agreement of the third party to be bound by the terms of this License Agreement. Upon such a transfer, Customer agrees that his/her rights in the software are terminated and that he/she will either destroy his/her copies and adaptations or deliver them to the third party.

SUBLICENSING AND DISTRIBUTION. Customer may not lease, sublicense the software or distribute copies or adaptations of the software to the public in physical media or by telecommunication without the prior written consent of Hewlett-Packard.

TERMINATION. Hewlett-Packard may terminate this software license for failure to comply with any of these terms provided Hewlett-Packard has requested Customer to cure the failure and Customer has failed to do so within thirty (30) days of such notice.

UPDATES AND UPGRADES. Customer agrees that the software does not include updates and upgrades which may be available from Hewlett-Packard under a separate support agreement.

EXPORT CLAUSE. Customer agrees not to export or re-export the software or any copy or adaptation in violation of the U.S. Export Administration regulations or other applicable regulation.

U.S. GOVERNMENT RESTRICTED RIGHTS. Use, duplication, or disclosure is subject to HP standard commercial license terms and for non-DOD Departments and Agencies of the U.S. Government, the restrictions set forth in FAR 52.227-19(c)(1-2) (June 1987) Hewlett-Packard Company, 3000 Hanover Street, Palo Alto, CA 94304 U.S.A. Copyright (c) 2000 Hewlett-Packard Company. All Rights Reserved. Customer further agrees that Software is delivered and licensed as “Commercial notebook software” as defined in DFARS 252-227-7014 (June 1995) or as a “commercial item” as defined in FAR 2.101(a), or as “Restricted notebook software” as defined in FAR 52.227-19 (or any equivalent agency regulation or contract clause), whichever is applicable. The Customer agrees that it has only those rights provided for such Software by the applicable FAR or DFARS clause or the HP standard software agreement for the product involved.

SUPPORT POLICY FOR MICROSOFT OPERATING SYSTEMS SERVICE PACK. HP will provide end user support for HP PCs that use Microsoft Operating Systems, including its latest service packs. This support will be available 30 days after the service pack being released by Microsoft.

Contents

<i>Getting Started with Your Notebook</i>	1
Identifying Parts of the Notebook	2
Series 2100 and N1050v.....	2
Series 2500	5
Status Lights	8
Setting Up Your Notebook.....	10
Step 1: Insert the battery	10
Step 2: Connect AC power	11
Step 3: Connect a phone line	12
Step 4: Turn on the notebook.....	13
Step 5: Set up Windows.....	13
Using the Documentation Library CD	14
<i>Basic Operation</i>	15
Operating Your Notebook.....	16
Default power settings.....	17
To reset the notebook	18
To change the boot device	18
To use the TouchPad	19
To use the function hot keys.....	20
Using CDs or DVDs.....	21
To play DVD movies.....	21
<i>Batteries and Power Management</i>	23
Using Battery Power	24
To check battery status	24
To respond to a low-battery warning.....	25
To recharge the battery	25

<i>Troubleshooting and Maintenance</i>	27
Troubleshooting Your Notebook	28
Display problems	28
Hard disk drive problems	29
Keyboard and pointing device problems	29
Performance problems	30
Power and battery problems	30
Startup problems	31
Configuring Your Notebook	32
To run the BIOS Setup utility	32
Reinstalling and Updating Software	33
<i>Index</i>	35

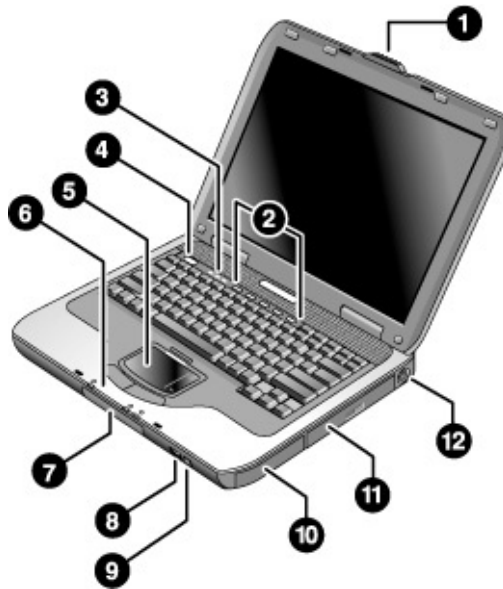
Getting Started with Your Notebook

Identifying Parts of the Notebook

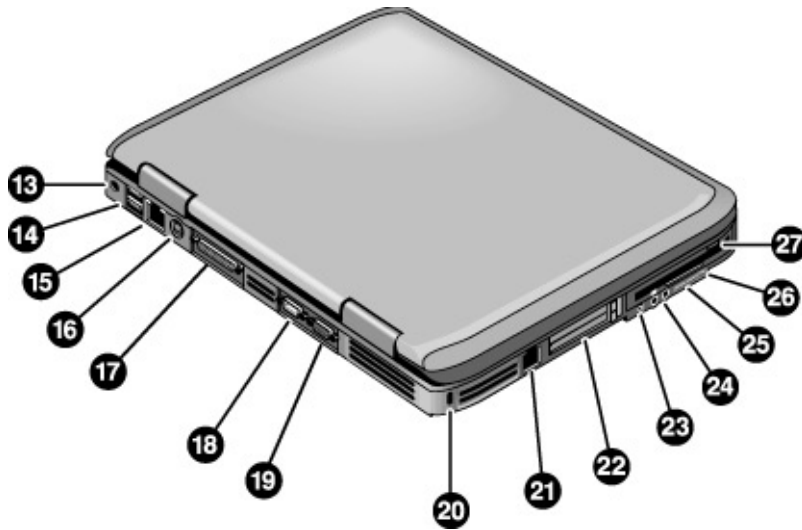
Series 2100 and N1050v

NOTE

Components included with the notebook may vary by geographical region and the features you selected. The following illustrations identify the standard external components included with most notebook models.

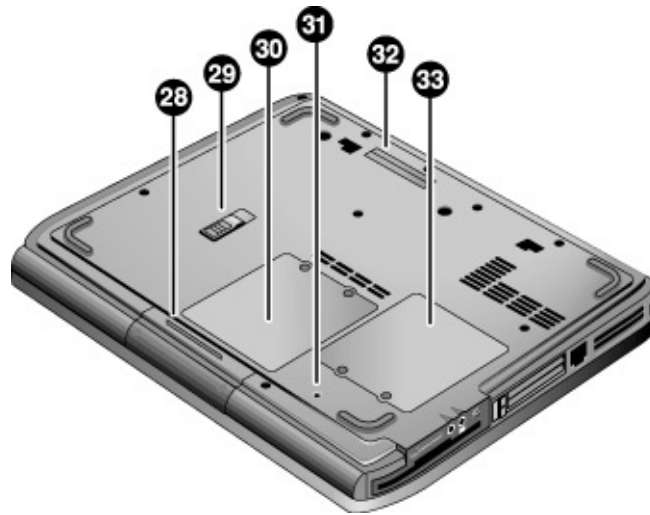


- | | |
|--|--|
| 1 Notebook open/close latch. | 7 Hard disk drive. |
| 2 One-Touch buttons. | 8 Infrared port (select models only). |
| 3 Keyboard status lights. | 9 Wireless on-off button and indicator light (select models only). |
| 4 Power button. Turns the notebook on and off. | 10 Battery. |
| 5 TouchPad, scroll pad, Click buttons, and on-off button. | 11 CD-ROM, DVD, or other drive. |
| 6 Main status lights (left to right): power mode, hard disk activity, and battery. | 12 PS/2 port. |



- | | |
|---|---|
| 13 AC adapter jack. | 20 Kensington lock slot (security connector). |
| 14 Universal serial bus ports (USB). | 21 RJ-11 jack. Connects the modem cable. |
| 15 RJ-45 jack. Connects a network cable. | 22 PC Card and CardBus slot and button. |
| 16 S-video out jack. | 23 IEEE 1394 port (select models only). |
| 17 Parallel port (LPT1). Use this port for a parallel printer or other parallel device. | 24 Audio jacks (left to right): external microphone, audio out (headphones). |
| 18 Serial port (COM1). Use this port for a serial mouse, modem, printer, or other serial device. | 25 Volume control. |
| 19 External monitor port. | 26 Audio mute button and audio mute light. |
| | 27 Floppy disk drive (select models only). |

Getting Started with Your Notebook
Identifying Parts of the Notebook



28 Hard disk drive.

29 Battery latch.

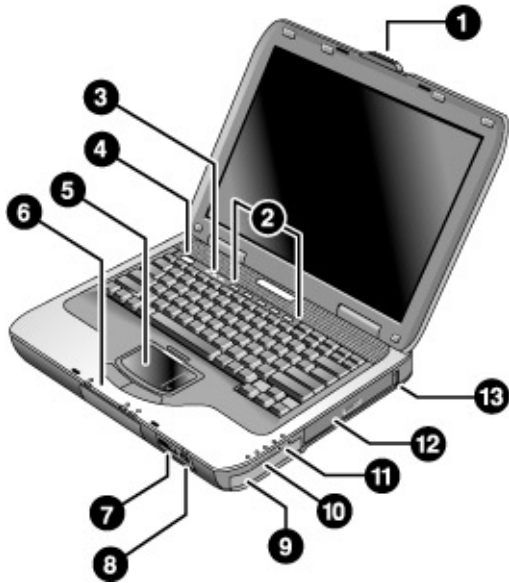
30 RAM (memory) cover.

31 Reset button.

32 Docking port (select models only).

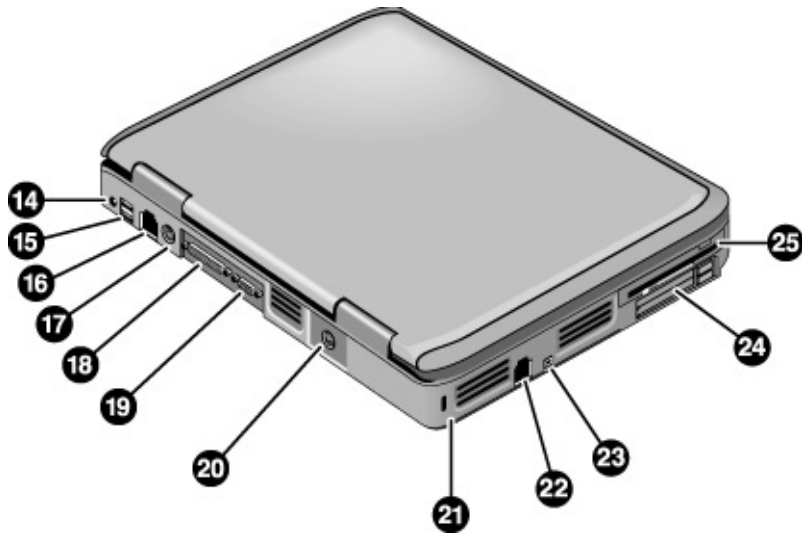
33 Mini-PCI cover (no user parts inside).

Series 2500

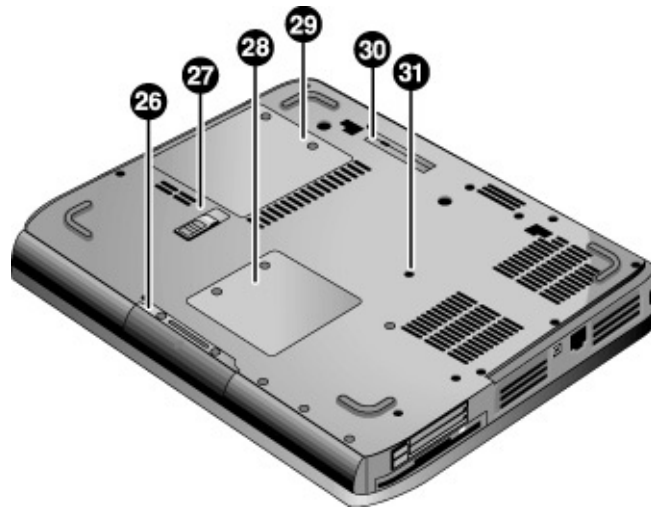


- | | |
|--|--|
| 1 Notebook open/close latch. | 8 Wireless on-off button and indicator light (select models only). |
| 2 One-Touch buttons. | 9 Battery. |
| 3 Keyboard status lights. | 10 Audio mute button, audio mute light, and volume control. |
| 4 Power button. Turns the computer on and off. | 11 Audio jacks (left to right): audio out (headphones), external microphone. |
| 5 TouchPad, scroll pad, Click buttons, plus on-off button. | 12 CD-ROM, DVD, or other drive. |
| 6 Main status lights (left to right): power mode, hard disk activity, and battery. | 13 Universal serial bus port (USB). |
| 7 Infrared port (select models only). | |

Getting Started with Your Notebook
Identifying Parts of the Notebook



- 14 AC adapter jack.
- 15 Two USB ports.
- 16 RJ-45 network jack. Connects a network cable.
- 17 PS/2 port.
- 18 Parallel port (LPT1). Use this port for a parallel printer or other parallel device.
- 19 External monitor port.
- 20 S-video out jack.
- 21 Kensington lock slot (security connector).
- 22 RJ-11 jack. Connects a modem cable.
- 23 IEEE 1394 port (select models only).
- 24 PC Card and CardBus slot and buttons.
- 25 Floppy disk drive (select models only).



26 Hard disk drive.

27 Battery latch.

28 Mini-PCI cover (no user parts inside).

29 RAM (memory) cover.

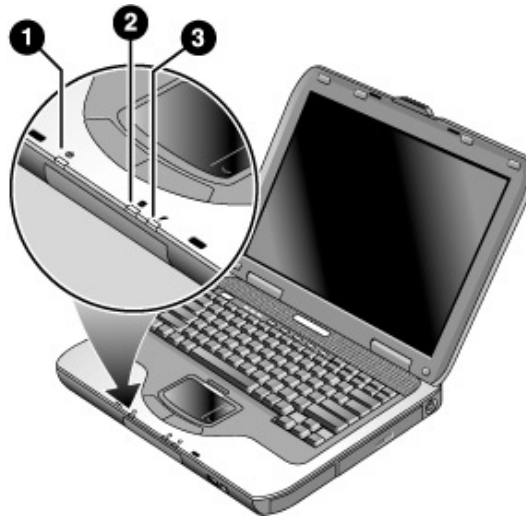
30 Docking port (select models only).

31 Reset button.

Status Lights

The notebook includes a number of status lights that report power and battery status, drive activity, and keyboard functions such as Caps Lock and Num Lock.

The following diagram shows the main status lights on the front of the notebook.



1 Power mode.

- On: the notebook is on (even if the display is off).
- Blinking: the notebook is in Standby.
- Off: the notebook is off or in Hibernation.

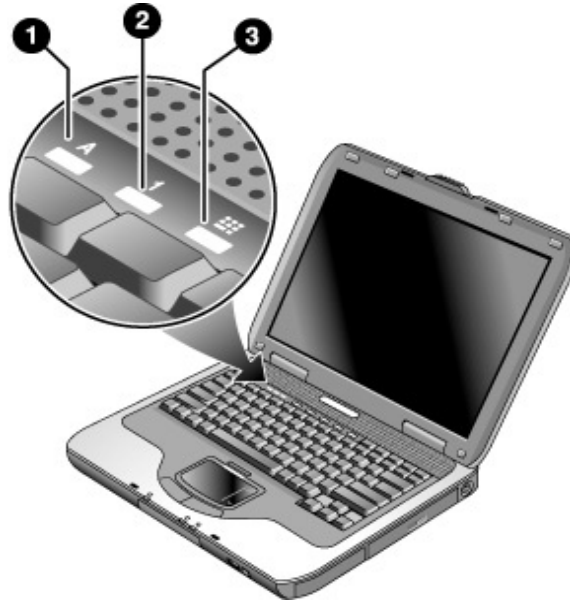
2 Hard disk drive activity.

On: notebook is accessing the hard disk drive.

3 Battery status.

- Green: the AC adapter is connected and the battery is fully charged.
- Amber: the AC adapter is connected and the battery is charging.
- Blinking: the AC adapter is connected and the battery is missing or has a fault.
- Off: the AC adapter is not connected.

The keyboard status lights, located above the keyboard, indicate the states of the keyboard locks.



- 1 Caps Lock On:** Caps Lock is active.
- 2 Num Lock On:** Num Lock is active. (The Keypad Lock must also be on to use the embedded keypad.)
- 3 Keypad Lock On:** The embedded keypad is active (Fn+F8). Num Lock must also be on for the numeric keys. Otherwise, cursor control is active (as marked on an external keyboard).

Setting Up Your Notebook

WARNING

Improper use of keyboards and other input devices has been associated with ergonomic injury.

If you are using your notebook as your primary computer, or using it for extended periods, you should use it with a full-sized keyboard, monitor, and mouse. Docking accessories offer quick, easy connections to these devices. This can reduce the risk of ergonomic injury.

For information about setting up a safe and comfortable work environment, see the *Safety & Comfort Guide* on this CD.

When you set up your notebook for the first time, you'll charge the battery, connect the AC adapter, turn on the notebook, and run the Windows setup program.

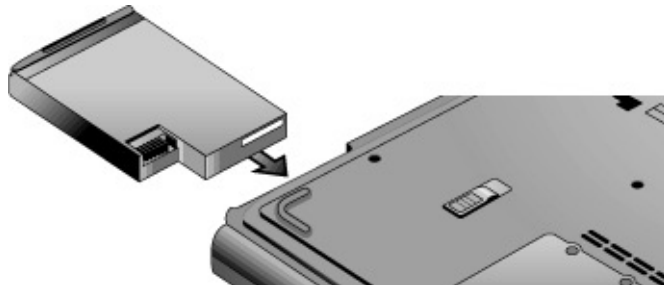
Step 1: Insert the battery

WARNING

Do not mutilate or puncture batteries. Do not dispose of batteries in fire, or they can burst or explode, releasing hazardous chemicals. Rechargeable batteries must be recycled or disposed of properly.

Your notebook is shipped with the battery installed. If the battery has been removed, you should install it:

1. Turn the notebook upside down.
2. Insert the connector end of the battery into the battery compartment and slide it in until it latches.



Step 2: Connect AC power

CAUTION

Use only the AC adapter included with your notebook (or other approved adapter that meets the power requirements of the notebook).

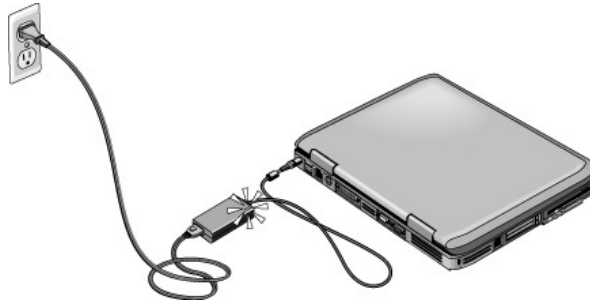
Using the wrong AC adapter could damage the notebook or adapter, cause data loss, and may void your warranty. (See the printed document *Worldwide Limited Warranty and Technical Support* that came with the notebook.)

1. Plug the AC adapter into the notebook.
2. Connect the power cord to the AC adapter.
3. Plug the power cord into a wall outlet.

The notebook battery then starts charging.

Important

When unplugging the power cord, unplug it from the outlet before unplugging it from the AC adapter.



While the battery is charging, you can continue with step 3.

Step 3: Connect a phone line

1. Make sure the telephone line is an analog line, sometimes called a data line. (You must not use a digital line.)
2. Connect the telephone cord (RJ-11) into a telephone jack
3. Plug the other end of the phone cord into the RJ-11 modem jack in the side of the notebook.



For details about using the modem, including AT commands, see the *Reference Guide* on the *Documentation Library* CD included with your notebook.

Step 4: Turn on the notebook

Press the power button above the left side of the keyboard. The notebook then boots up, and Windows starts automatically.



Hint

If your notebook does not turn on when operating on battery power, the battery may be out of power. Plug in the AC adapter and press the power button again. Leave the AC adapter plugged in for at least an hour or up to 3 hours to charge the battery fully.

Step 5: Set up Windows

Your notebook has the Microsoft Windows operating system preinstalled on its hard disk drive. The first time you turn on your notebook, the Windows Setup program runs automatically so you can customize your setup.

1. Follow the Setup program instructions on the screen. If the program prompts you to enter the Product ID code, you will find this code on the bottom of the notebook.
2. Check the modem's country or region settings. Select Start > Control Panel > Printers and Other Hardware > Phone and Modem Options > then choose your country/region.

Using the Documentation Library CD

Information about using the notebook can be found on the *Documentation Library* CD included with the notebook.

When the *Documentation Library* CD is inserted into a drive, the CD menu is displayed on the screen after a brief pause. Or you can display the menu manually:

1. Select Start > Run.
2. In the Open field, type:
explorer X: (where X is your CD drive designation)
3. Select the file with the “.exe” extension. For example, Filename.exe.
4. Select the OK button.

Using Acrobat Reader

Adobe Acrobat Reader is an application that displays the notebook documentation on the screen. If you see Adobe Acrobat messages when you install the *Documentation Library* CD, follow these steps:

- Choose to install Acrobat Reader.
- Choose to accept the Acrobat Reader license agreement.

Basic Operation

Operating Your Notebook

You can start and stop your notebook using the power button. However, at certain times you may want to use other methods to start or stop the notebook, depending on power considerations, types of active connections, and startup time.

For information on caring for and protecting your notebook, see the “Basic Operation” chapter in the Reference Guide on the Documentation Library CD included with your notebook.

For information about the following topics, see the Reference Guide on the Documentation Library CD:

- Connecting your modem or local area network (LAN).
- Connecting PC Cards or external devices.
- Using modem AT commands.

Default power settings

Power mode	To enter this mode	Function
ON —Power status light will turn on.	Briefly press the power button.	Powers on the notebook.
OFF —Power status light will turn OFF.	Select Start > Turn Off Computer > Turn Off. If the system has stopped responding and Windows shut down procedures cannot be used, press and hold the power button for 4 seconds to turn off the notebook.	Powers off the notebook.
Standby —Power status light will blink.	Select Start > Turn Off Computer > Stand By. -or- Allow the system to time out.	<ul style="list-style-type: none"> • Saves significant power. • Turns off the display and other components. • Maintains current session in RAM. • Restarts quickly. • Restores network connections.
Hibernation —Power status light will turn off.	If the unit is already on, briefly press the power button. -or- Press Fn+F12. -or- Allow the system to time out.	<ul style="list-style-type: none"> • Saves maximum power. • Saves current session to disk, then shuts down. • Restores network connections.

You can also customize how these power modes work, See the “Batteries and Power Management” chapter in the *Reference Guide* on the *Documentation Library* CD included with your notebook.

To reset the notebook

Occasionally, you may find that Windows or the notebook has stopped responding and will not let you turn off the notebook. If this happens, try the following in the order listed:

- If possible, shut down Windows: press CTRL+ALT+DEL, and then select Shut Down, Restart.
–or, if this fails–
- Press the power button for at least 4 seconds until the display shuts down. Unsaved data will be lost. Press the power button again to restart.
–or, if this fails–
- Insert the tip of a paper clip into the reset button on the bottom of the notebook, and then press the power button to restart.

To change the boot device

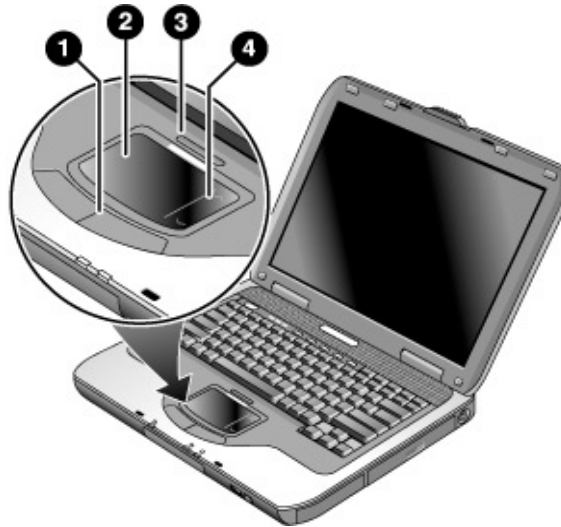
The notebook normally boots from its internal hard disk. You can also boot the notebook from a floppy disk drive, a CD-ROM drive, or an internal network interface card.

1. Select Start > Turn Off Computer > Restart.
2. When the logo screen appears, press ESC to display the Boot menu.
3. Use the arrow keys to select the boot device, and press ENTER.

If you want to boot from a specific device whenever it is present, change the boot order using the BIOS Setup utility. See “Configuring the Notebook” in the “Troubleshooting and Maintenance” chapter in this guide.

To use the TouchPad

The TouchPad includes an on-off button so you can turn off the TouchPad to avoid moving the pointer accidentally when you are typing. The indicator light turns off when you turn off the TouchPad.



- 1 Click buttons. The Click buttons work like the left and right buttons on a standard mouse.
- 2 TouchPad (touch-sensitive pointing device).
- 3 TouchPad on-off button and indicator light.
- 4 Scroll pad. The scroll pad scrolls vertically to display the contents of the active window.

To use the function hot keys



The combination of the Fn key plus another key creates a *hot key*—a shortcut key sequence—for various system controls. To use a hot key, press *and hold* Fn, press the appropriate second key, and then release both keys.

This hot key	Does this
Fn+F1	Decreases the display brightness.
Fn+F2	Increases the display brightness.
Fn+F5	Toggles among the built-in display, an external display, and simultaneous display on both.
Fn+F8	Toggles the built-in keypad on and off. Does not affect an external keyboard. If Num Lock is on, then the numeric functions are active; otherwise, cursor control is active (as marked on an external keyboard).
Fn+F12	Initiates Hibernation.
Fn+NumLock	Toggles Scroll Lock on and off.
Fn+Page Up	Increases the audio volume and cancels the mute setting.
Fn+Page Down	Decreases the audio volume.
Fn+Backspace	Mutes/unmutes the audio output.

Using CDs or DVDs

To play DVD movies

If your notebook came with a DVD, or other DVD readable drive, it also includes DVD player software that lets you play DVD movies.

Select Start > All Programs > Multimedia > DVD Player > InterVideo WinDVD.

Important

DVDs can have regional codes embedded in the disc data. These codes prevent DVD movies from being played outside the region of the world in which they are sold. If you get a region code error, you are trying to play a DVD intended for a different region.

Most DVD drives let you change the region code only a limited number of times (usually no more than four). When you reach this limit, your last change to the region code will be hard-coded on the DVD drive, and will be permanent. Your warranty does not cover the expense of correcting this situation. Refer to the help for your DVD player software for details about setting region codes.

Batteries and Power Management

Using Battery Power

For information about how your notebook regulates power consumption and how you can manually reduce power consumption and extend the life of the notebook battery, see the “Batteries and Power Management” chapter in the *Reference Guide* on the *Documentation Library* CD included with your notebook.

To check battery status

From the battery status light

Check the battery status light on the notebook.

From the Windows taskbar

The Windows taskbar can display a power icon that provides detailed battery status information (see Windows Help for details). The icon looks like a battery when AC is not connected.

- Place the pointer over the power icon to display the remaining battery charge. This value is shown as either a percentage of charge remaining, or as time remaining.
- Double-click the power icon to open the Battery Meter window.

From the Windows Control Panel

Select Start > Control Panel > Performance and Maintenance > Power Options, then select the Power Meter tab to see the battery status. The Alarms and Advanced tabs provide additional power-information options.

On the battery

1. Remove the battery from the notebook. See “Getting Started with Your Notebook” in this guide.
2. Press the contact pad on the side of the battery. The number of lights that turn on indicates the remaining charge (each light represents 20 percent of a full charge).

To respond to a low-battery warning

The notebook automatically alerts you when the battery power drops to a critically low level. The notebook first emits a high-pitched beep or displays a warning message. Then, if you do not restore power within a short time, the notebook goes into Hibernation.

Once the notebook enters Hibernation in this way, you won't be able to turn it on again until you restore power by doing one of the following:

- Replace the battery with a charged one.
- Plug in the AC adapter.

Note

If you plug in the AC adapter, you can continue to work while your battery recharges.

For Intel Pentium 4 processors, speed denotes maximum performance mode on AC power. Processor speed on battery power is approximately 63.5 percent of maximum performance mode. For Mobile Intel Pentium 4 processors featuring Intel SpeedStep technology, speed denotes maximum performance mode. Battery optimization mode is approximately 80 percent of maximum performance mode.

To recharge the battery

CAUTION

The AC adapter is normally warm whenever plugged into an AC outlet. The notebook is normally warm while recharging. Don't recharge the notebook in a briefcase or other confined space, or the battery could overheat.

Plug the AC adapter into the notebook.

To get the longest operating time, wait until the battery charge is below 50 percent before recharging, and then charge it fully (100 percent). Charging can take approximately 3 hours. If you continue working while the battery charges, the charging time may increase.

The operating time for a fully charged battery depends on the notebook model, power management settings, and level of use.

Troubleshooting and Maintenance

Troubleshooting Your Notebook

This section contains solutions to a few basic problems you might have with your notebook. Try the solutions one at a time, in the order in which they are presented.

Here are some other sources of information for troubleshooting:

- See the troubleshooting chapter in the *Reference Guide* on the *Documentation Library* CD included with your notebook for a more complete list of troubleshooting suggestions.
- Use the Windows troubleshooters. Select Start > Help and Support.
- Select on the question mark One-Touch key located at the top of the keyboard.
- See the Microsoft Windows manual shipped with the notebook.
- Contact your dealer. See the *Worldwide Telephone Numbers* booklet.

Display problems

If the notebook is on, but the screen is blank

- Move the mouse or tap the TouchPad. This will wake the display if it is in Display-off mode.
- Press Fn+F5 in case the internal display was disabled. (Do this three times to return to the state you started from.)
- If the notebook is cold, allow it to warm up.

If the screen is difficult to read

Try setting the display resolution to its default setting of 1024 × 768 or higher, depending on your model. Select Start > Control Panel > Appearance and Themes > Display.

Hard disk drive problems

If the notebook hard drive doesn't spin

- Make sure the notebook has power. If necessary, connect the AC adapter, and make sure it is fully plugged into a power source and into the back of the notebook.
- Remove and reinsert the hard drive.

If files are corrupted

- Open My Computer, and the disk you want to scan. Select File > Properties. Select the Check Now box under the Error-checking section of the Tools tab.
- Run the virus-scanning program. See the “Basic Operation” chapter in the *Reference Guide* on the *Documentation Library* CD included with your notebook.
- If necessary, you can format the hard disk and reinstall the original factory software using the *QuickRestore System Recovery CD*.

Keyboard and pointing device problems

Use these suggestions for built-in or external devices.

If the pointer is difficult to control

Adjust the pointer controls. Select Start > Control Panel > Printers and Other Hardware > Mouse.

If the TouchPad doesn't work

- Press the TouchPad on-off button to turn on the light.
- Don't touch the TouchPad while the notebook is rebooting or resuming from Standby mode. If this happens, try the following: press a key on the keyboard to restore normal operation.
- If an external mouse is connected, the built-in pointing devices are normally disabled. You can change this setting with the BIOS Setup utility.
- Restart the notebook. Select Start > Turn Off Computer > Restart.

Performance problems

For best performance, your notebook should have at least 128 MB of memory (RAM).

If the notebook stops responding

- Press CTRL+ALT+DEL and use Task Manager to end the application that is not responding.
- Press the power button for at least 4 seconds to turn off and reset the notebook. Unsaved data will be lost. Then press the power button again to turn the notebook back on.
- If nothing happens, insert the tip of a paper clip into the reset button on the bottom of the notebook. Then press the power button to turn the notebook back on.
- To avoid lockup problems, avoid pressing Fn+F5 to switch display devices while graphic-intensive applications are running. Also avoid turning off or suspending the notebook while such applications are running.

Power and battery problems

If the notebook turns off immediately after it turns on

Battery power is probably extremely low. Plug in the AC adapter or insert a charged battery.

If the notebook keeps beeping

The notebook beeps repeatedly or displays a warning when battery power is low. Save your work, shut down Windows immediately, and insert a charged battery or plug in the AC adapter.

If the battery doesn't charge

- Make sure the AC adapter is fully plugged into the power source and the notebook, and that the light on the adapter is on.
- If you're using a power strip, remove the AC adapter from the power strip and plug it directly into a wall outlet.
- Make sure the battery is fully installed and locked in place.

- Make sure you're using only the AC adapter included with your notebook (or other approved adapter that meets the power requirements of the notebook). Do *not* use a 60-watt, 3.16-amp adapter.
- Move the notebook away from any nearby heat source. Unplug the AC adapter and allow the battery to cool down. If the battery gets too hot, it will not charge properly.
- If available, try another battery and AC adapter.

Startup problems

If the notebook doesn't respond when you turn it on

- Connect the AC adapter.
- Reset the notebook by inserting the tip of a paper clip into the reset button on the bottom of the notebook. Then press the power button to turn it on.
- If the notebook still doesn't respond, remove the battery and AC adapter, remove any PC cards, and undock the notebook if docked. Then plug in the AC adapter again, and reset the notebook using the reset button.

If the notebook won't boot from battery power

- Make sure the battery is properly inserted and fully charged. Check the battery charge by removing it and pressing the pad on the side of the battery. The lights show the charge level.
- If available, try another battery.

Configuring Your Notebook

To run the BIOS Setup utility

The BIOS (Basic Input and Output System) Setup utility enables you to make changes to the notebook system configuration, and to tailor the operation of your notebook to your individual work needs.

The settings made in BIOS Setup generally control the notebook hardware, and so greatly affect how the notebook operates.

1. Select Start > Turn Off Computer > Restart.
2. When the logo screen appears, press F2 to enter BIOS Setup.
3. The pointing devices are not active in BIOS Setup, so you will need to use the keyboard to navigate:
 - Press the LEFT and RIGHT arrow keys to move among menus.
 - Press the UP and DOWN arrow keys to move among parameters in a menu.
 - Press + or – to move through values for the current parameter, or press ENTER to change a setting.
4. After you select the options you want, press F10 or use the Exit menu to exit BIOS Setup.
5. If the settings cause a conflict between devices during reboot, the system prompts you to run BIOS Setup, and marks the conflicting settings.

For a complete list of BIOS Setup menus, settings, and options, see the *Reference Guide* on the *Documentation Library* CD included with your notebook.

Reinstalling and Updating Software

Your notebook includes two features that allow you to install individual software applications or to restore the entire contents of your hard drive:

- *QuickRestore System Recovery CD*, included with the notebook, allows you to restore your hard drive to the factory image.
- *Application Recovery* utility allows you to restore or install one or several applications at a time. Select Start > Software Setup and follow the installation wizard on the screen.

Index

- AC adapter
 - compatibility, 11
 - connecting, 11
- AC adapter jack
 - location, 3, 6
- Acrobat Reader, 14
- adjusting
 - brightness, 20
 - volume, 20
- audio
 - volume, 20
- audio jacks, 3, 5
- audio mute button, 3, 5
- battery
 - checking status, 24
 - installing, 10
 - location, 5
 - low power warning, 25
 - release latch, 4, 7
 - status lights, 24
 - troubleshooting, 30
- BIOS Setup utility
 - using, 32
- boot device order, 18
- brightness, adjusting, 20
- CD-ROM drive
 - location, 5
- COM1 port, 3
- computer
 - changing BIOS settings, 32
 - opening/closing, 5
 - resetting, 18
 - turning on, 13
- configuring
 - BIOS settings, 32
- devices
 - temporary boot order, 18
- display
 - brightness, 20
 - port, 3, 6
 - troubleshooting, 28
- docking port, 4, 7
- Documentation Library CD*, 14
- DVD drive
 - location, 5
 - playing movies, 21
 - setting region code, 21
- external monitor port, 3
 - location, 6
- floppy disk drive
 - location, 3, 6
- Fn key
 - + Back Space (mute), 20
 - + F1 (decrease brightness), 20
 - + F12 (hibernation), 20
 - + F2 (increase brightness), 20
 - + F5 (display select), 20
 - + F8 (keypad), 20
 - + NumLock (scroll lock), 20
 - + Page Down (decrease audio), 20
 - + Page Up (increase audio), 20
- hard disk drive
 - location, 4, 7
 - troubleshooting, 29
- Hibernation mode
 - definition, 17
- hot keys, 20
- IEEE 1394 port
 - location, 3, 6
- infrared port
 - location, 5
- installing
 - battery, 10
- keyboard
 - status lights, 5
 - troubleshooting, 29
- Keypad Lock, 5
- LAN port
 - location, 3, 6
- lights
 - status, 5
- LPT1 port, 3, 6
- maintenance
 - notebook configuration, 32
- mini-PCI
 - location, 4, 7
- modem
 - port location, 3, 6
- monitor
 - port, 3, 6
- mouse, troubleshooting, 29
- movies (DVD), 21
- mute button
 - location, 3, 5
- off
 - button location, 5
 - turning off, 17
- on button, location, 5
- One-Touch buttons
 - location, 5
- parallel port
 - location, 3, 6
- PC Card slots, location, 3, 6
- port locations, 3, 6
- power
 - connecting AC, 11
 - troubleshooting, 30
- power button
 - location, 5
 - resetting with, 18
- PS/2 port, 6
- RAM
 - location, 4, 7
- rebooting
 - temporary boot device, 18
- region code, 21
- reset button, 18
- resetting, 18
- safety information, iii
- scroll pad, 5
- security
 - Kensington lock, 3, 6
- serial port
 - location, 3
- Standby mode
 - definition, 17
 - timeout, 17
- startup, troubleshooting, 31

- status lights
 - battery charge, 24
 - keyboard, 5
 - location, 5
- S-video port, 3, 6
- TouchPad
 - location, 5
 - troubleshooting, 29
- troubleshooting
 - battery, 30

- display, 28
- hard disk drive, 29
- keyboard, 29
- performance, 30
- pointing devices, 29
- power, 30
- startup, 31
- turning on computer, 13

- USB
 - location of ports, 3, 6
 - location of third port, 5
- volume
 - adjusting, 20
- volume control, 3, 5
- Windows
 - setting up, 13
- wireless communication
 - indicator light, 5