



HP Webcam

Quick Start Guide

Copyright © 2008 Hewlett-Packard Development Company, L.P.

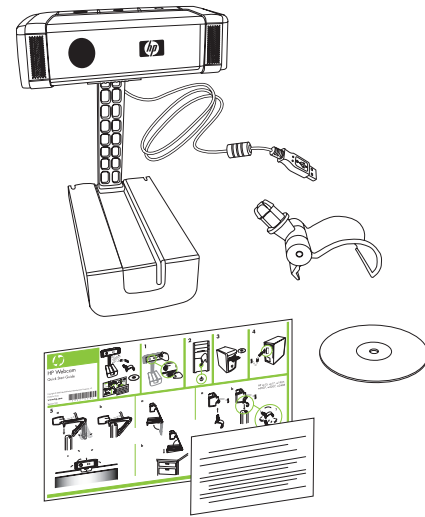
Printed in China

www.hp.com

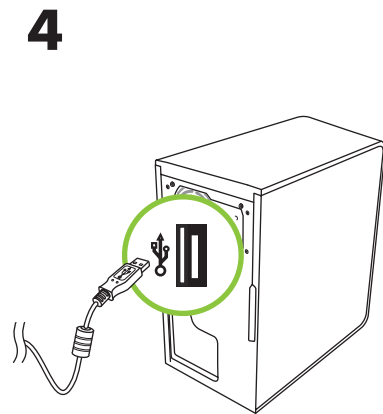
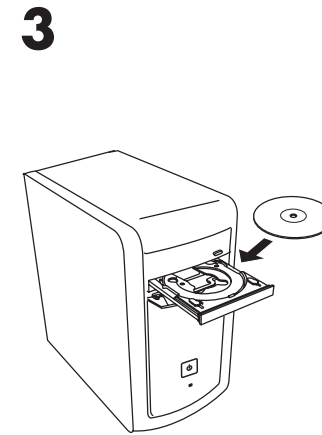
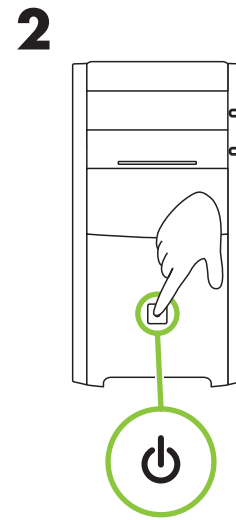
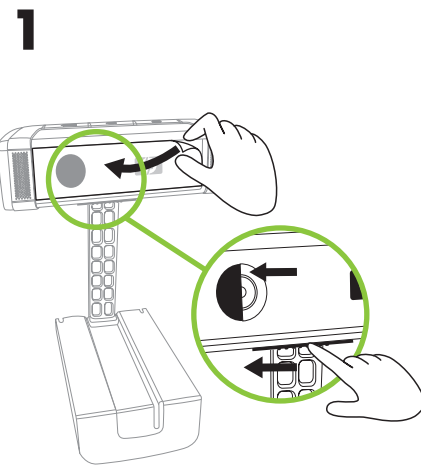


Version 2.0

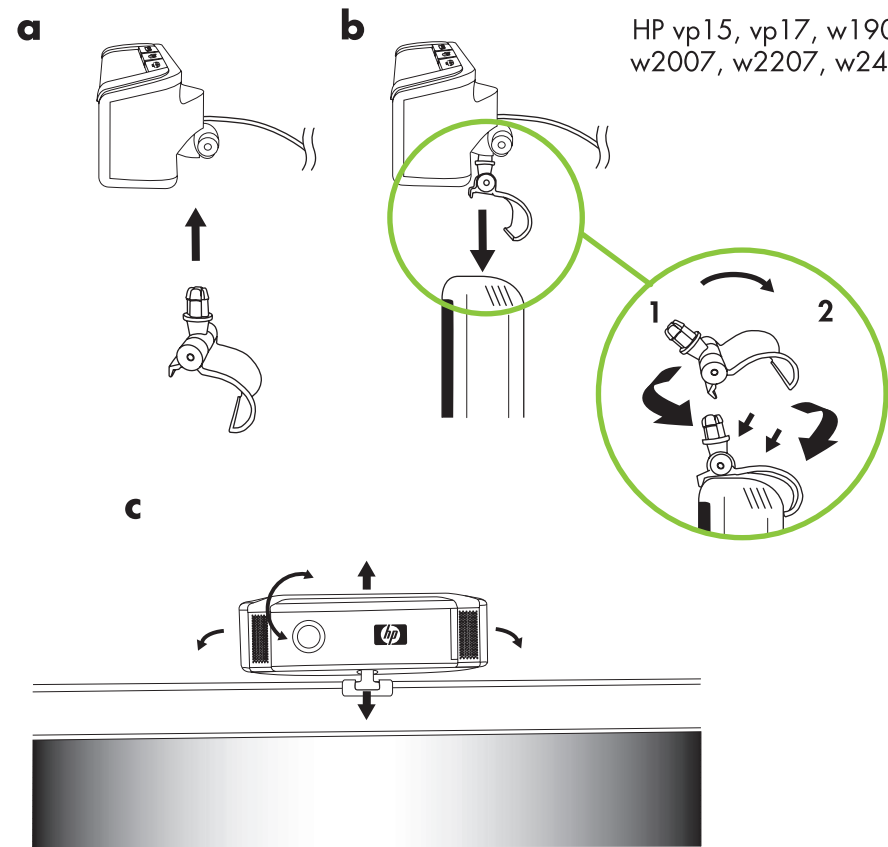
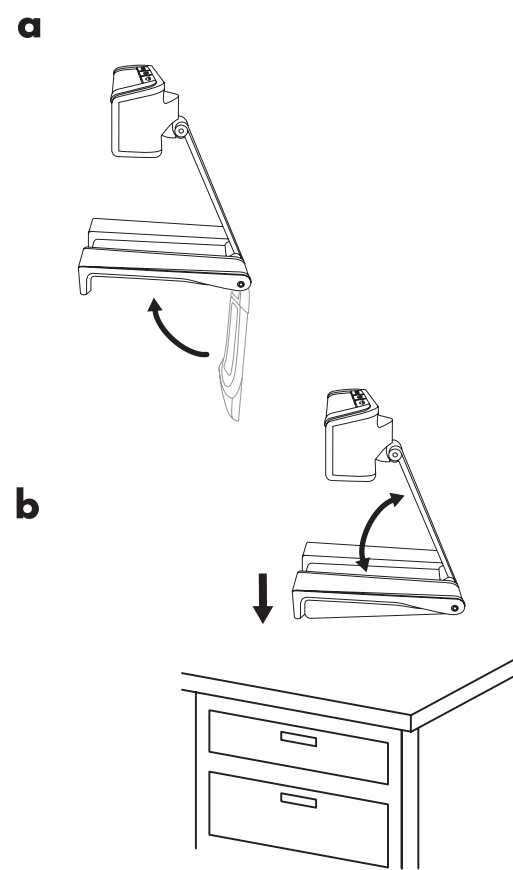
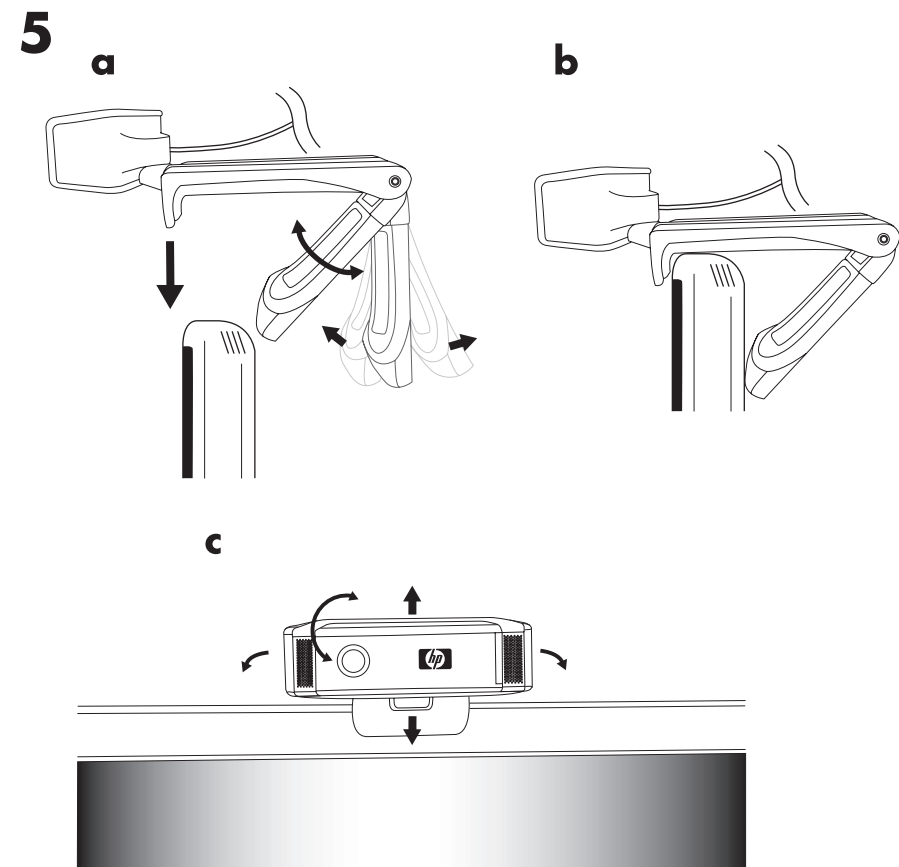
5 9 9 2 - 2 5 0 8



Fold



Fold



HP vp15, vp17, w1907,
w2007, w2207, w2408

Fold

Fold



DECLARATION OF CONFORMITY

according to ISO/IEC 17050-1 and EN 17050-1

Distributor Name: Hewlett-Packard Company
Distributor Address: Hewlett-Packard Company
10955 Tantau Ave
Cupertino, CA 95014

declares, that the product(s)

Product: Web Camera
Model Number(s): GX607AA#XXX
WN4300R
Product Options: All

conforms to the following Product Specifications:

EMC: CISPR 22: 1997 / EN 55022: 1998 +A1:2000 +A2:2003, Class B
CISPR 24: 1997 / EN 55024:+1998 +A1:2001 +A2:2003
FCC Title 47 CFR, Part 15 Class B / ICES-003
AS/NZ CISPR 22: 2005

Supplementary Information:

The product herewith complies with the requirements of the Low Voltage Directive 2006/95/EC, the EMC Directive 2004/108/EEC and carries the "CE Marking" accordingly.

This device complies with Part 15 of FCC rules. Operation is subject to the following two conditions: (1) this device may not cause harmful interference, and (2) this device must accept any interference received, including interference that may cause undesired operation.

Cupertino, CA USA November 16, 2007

For regulatory compliance information only, contact:

Australia Contact: Product Regulations Manager, Hewlett-Packard Australia Pty Ltd., 31-41 Joseph Street, Blackburn, Victoria 3130

European Contact: Hewlett-Packard GmbH, HQ-TRE, Herrenberger Straße 140, 71034 Böblingen, Germany

North America Contact: Hardware Quality Eng. Manager, Hewlett-Packard, CPC, 10955 Tantau Ave., Cupertino, CA 95014