

Notebook Tour

User Guide

© Copyright 2008 Hewlett-Packard
Development Company, L.P.

Microsoft and Windows are U.S. registered
trademarks of Microsoft Corporation.
Bluetooth is a trademark owned by its
proprietor and used by Hewlett-Packard
Company under license. SD Logo is a
trademark of its proprietor.

The information contained herein is subject
to change without notice. The only
warranties for HP products and services are
set forth in the express warranty statements
accompanying such products and services.
Nothing herein should be construed as
constituting an additional warranty. HP shall
not be liable for technical or editorial errors
or omissions contained herein.

First Edition: April 2008

Document Part Number: 480540-001

Safety warning notice

-
- ⚠ **WARNING!** To reduce the possibility of heat-related injuries or of overheating the computer, do not place the computer directly on your lap or obstruct the computer air vents. Use the computer only on a hard, flat surface. Do not allow another hard surface, such as an adjoining optional printer, or a soft surface, such as pillows or rugs or clothing, to block airflow. Also, do not allow the AC adapter to contact the skin or a soft surface, such as pillows or rugs or clothing, during operation. The computer and the AC adapter comply with the user-accessible surface temperature limits defined by the International Standard for Safety of Information Technology Equipment (IEC 60950).
-

Table of contents

1 Identifying hardware

2 Components

Product notice	2
Top components	3
TouchPad	3
Light	4
Keys	5
Front components	6
Right-side components	7
Left-side components	8
Display components	9
Bottom components	10
Wireless antennae (select models only)	11
Additional hardware components	12

3 Labels

4 Routine care

Cleaning the display	14
Cleaning the keyboard	14
Traveling and shipping	14

Index	16
-------------	----

1 Identifying hardware

To see a list of hardware installed in the computer, follow these steps:

1. Select **Start > My Computer**.
2. In the left pane of the System Tasks window, select **View system information**.
3. Select **Hardware** tab > **Device Manager**.

You can also add hardware or modify device configurations using Device Manager.

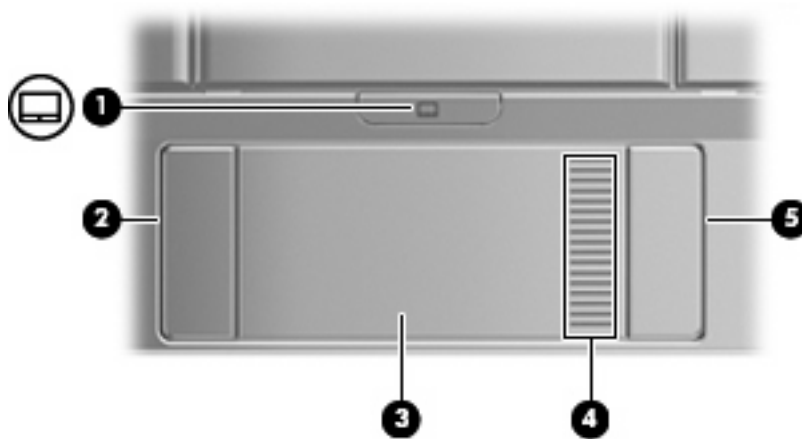
2 Components

Product notice

This user guide describes features that are common to most models. Some features may not be available on your computer.

Top components

TouchPad



Component	Description
(1) TouchPad on/off button	Enables/disables the TouchPad.
(2) Left TouchPad button*	Functions like the left button on an external mouse.
(3) TouchPad*	Moves the pointer and selects or activates items on the screen.
(4) TouchPad scroll zone	Scrolls up or down.
(5) Right TouchPad button*	Functions like the right button on an external mouse.

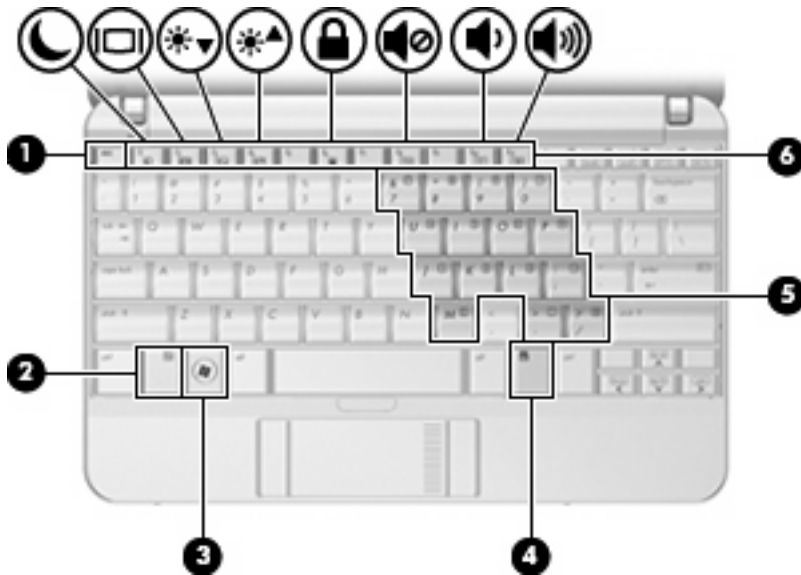
*This table describes factory settings. To view or change pointing device preferences, select **Start > Control Panel > Printers and Other Hardware > Mouse**.

Light



Component	Description
Caps lock light	On: Caps lock is on.

Keys



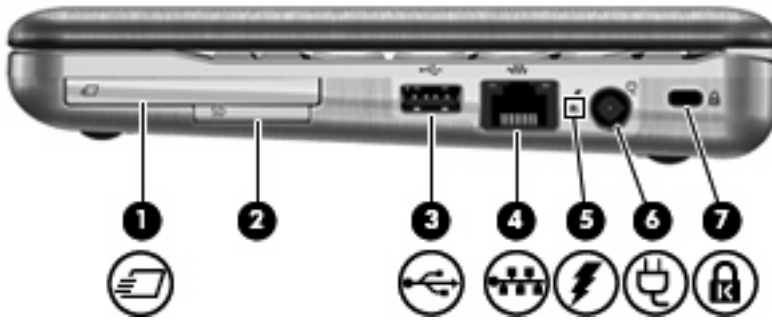
Component	Description
(1) esc key	Displays system information when pressed in combination with the fn key.
(2) fn key	Executes frequently used system functions when pressed in combination with a function key or the esc key.
(3) Windows logo key	Displays the Windows Start menu.
(4) Windows applications key	Displays a shortcut menu for items beneath the pointer.
(5) Embedded numeric keypad keys	Can be used like the keys on an external numeric keypad.
(6) Function keys	Execute frequently used system functions when pressed in combination with the fn key.

Front components



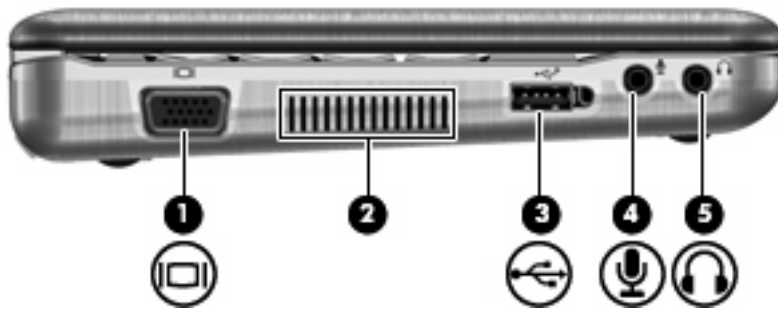
Component	Description
(1) Power light	<ul style="list-style-type: none"> Blue: The computer is on. Blinking: The computer is in Standby. Off: The computer is off or in Hibernation.
(2) Power switch	<ul style="list-style-type: none"> When the computer is off, slide the switch to turn on the computer. When the computer is on, slide the switch briefly to initiate Hibernation. When the computer is in Standby, slide the switch briefly to exit Standby. When the computer is in Hibernation, slide the switch briefly to exit Hibernation. <p>If the computer has stopped responding and Windows® shutdown procedures are ineffective, slide and hold the power switch for at least 5 seconds to turn off the computer.</p> <p>To learn more about your power settings, select Start > Control Panel > Performance and Maintenance > Power Options.</p>
(3) Drive light	Blinking: The hard drive is being accessed.
(4) Wireless light	<ul style="list-style-type: none"> Blue: An integrated wireless device, such as a wireless local area network (WLAN) device, the HP Broadband Wireless Module, and/or a Bluetooth® device, is on. Amber: All wireless devices are off. <p>NOTE: The wireless light turns amber when the computer turns on, but all wireless devices are off.</p>
(5) Wireless switch	<p>Turns the wireless feature on or off, but does not create a wireless connection.</p> <p>NOTE: To establish a wireless connection, a wireless network must already be set up.</p>

Right-side components



Component	Description
(1) ExpressCard slot	Supports optional ExpressCards 54.
(2) SD Card Reader	Supports the following optional digital card formats: <ul style="list-style-type: none">Secure Digital (SD) Memory CardMultiMediaCard (MMC)
(3) USB port	Connects an optional USB device.
(4) RJ-45 (network) jack	Connects a network cable.
(5) Battery light	<ul style="list-style-type: none">Amber: A battery is charging.Blue: A battery is close to full charge capacity.Blinking amber: A battery that is the only available power source has reached a low battery level. When the battery reaches a critical battery level, the battery light begins blinking rapidly.Off: If the computer is plugged into an external power source, the light turns off when all batteries in the computer are fully charged. If the computer is not plugged into an external power source, the light stays off until the battery reaches a low battery level.
(6) Power connector	Connects an AC adapter.
(7) Security cable slot	Attaches an optional security cable to the computer. NOTE: The security cable is designed to act as a deterrent, but it may not prevent the computer from being mishandled or stolen.

Left-side components



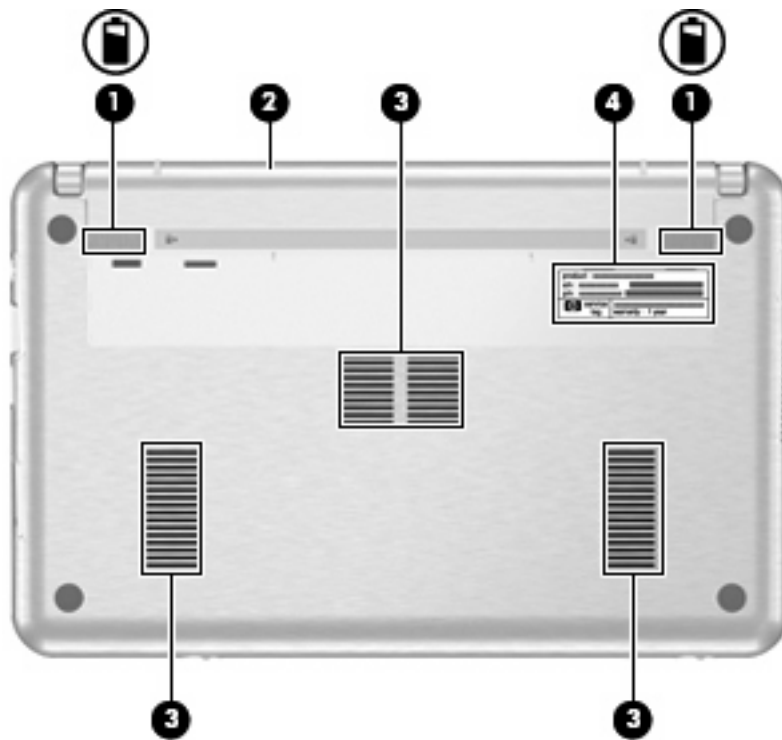
Component	Description
(1) External monitor port	Connects an external VGA monitor or projector.
(2) Vent	Enables airflow to cool internal components. NOTE: The computer fan starts up automatically to cool internal components and prevent overheating. It is normal for the internal fan to cycle on and off during routine operation.
(3) Powered USB port	Provides power to a USB device, such as an optional external MultiBay or an optional external optical drive, if used with a powered USB cable.
(4) Audio-in (microphone) jack	Connects an optional computer headset microphone, stereo array microphone, or monaural microphone.
(5) Audio-out (headphone) jack	Produces sound when connected to optional powered stereo speakers, headphones, ear buds, a headset, or television audio.

Display components



Component	Description
(1) Speakers (2)	Produce sound.
(2) Internal microphones (2)	Record sound. NOTE: If there is a microphone icon next to each microphone opening, your computer has internal microphones.
(3) Webcam (select models only)	<ul style="list-style-type: none">• Records and plays back webcam video.• Includes streaming video options and special effects for adding frames, filters, and emoticons to snapshots and video.• Captures single frame or burst webcam snapshots.• Connects to e-mail photos and video.

Bottom components




Component	Description
(1) Battery release latches (2)	Release the battery from the battery bay.
(2) Battery bay	Holds the battery.
(3) Vents (3)	Enable airflow to cool internal components. NOTE: The computer fan starts up automatically to cool internal components and prevent overheating. It is normal for the internal fan to cycle on and off during routine operation.
(4) Service tag	Provides the product brand and series name, serial number (s/n), and product number (p/n) of your computer. Have this information available when you contact technical support.

Wireless antennae (select models only)

On select computer models, at least 2 antennae send and receive signals from one or more wireless devices. These antennae are not visible from the outside of the computer.



 **NOTE:** For optimal transmission, keep the areas immediately around the antennae free from obstructions.

To see wireless regulatory notices, refer to the section of the *Regulatory, Safety and Environmental Notices* that applies to your country or region. These notices are located in Help and Support.

Additional hardware components



Component	Description
(1) Power cord*	Connects an AC adapter to an AC outlet.
(2) AC adapter	Converts AC power to DC power.
(3) Battery*	Powers the computer when the computer is not plugged into external power.

*Batteries and power cords vary in appearance by region and country.

3 Labels

The labels affixed to the computer provide information you may need when you troubleshoot system problems or travel internationally with the computer.

- Service tag—Provides the product brand and series name, serial number (s/n), and product number (p/n) of your computer. Have this information available when you contact technical support. The service tag label is affixed to the bottom of the computer.
- Microsoft® Certificate of Authenticity—Contains the Windows® Product Key. You may need the Product Key to update or troubleshoot the operating system. This certificate is affixed to the bottom of the computer.
- Regulatory label—Provides regulatory information about the computer. The regulatory label is affixed to the bottom of the computer.
- Wireless certification label(s) (select models only)—Provide information about optional wireless devices and the approval markings of some of the countries in which the devices have been approved for use. An optional device may be a wireless local area network (WLAN) device, an HP Broadband Wireless Module, or an optional Bluetooth® device. If your computer model includes one or more wireless devices, one or more certification labels are included with your computer. You may need this information when traveling internationally. Wireless certification labels are affixed to the bottom of the computer.

4 Routine care

Cleaning the display

- △ **CAUTION:** To prevent permanent damage to the computer, never spray water, cleaning fluids, or chemicals on the display.

To remove smudges and lint, frequently clean the display with a soft, damp, lint-free cloth. If the screen requires additional cleaning, use premoistened antistatic wipes or an antistatic screen cleaner.

Cleaning the keyboard

- △ **WARNING!** To reduce the risk of electric shock or damage to internal components, do not use a vacuum cleaner attachment to clean the keyboard. A vacuum cleaner can deposit household debris on the keyboard surface.

Clean the keyboard regularly to prevent keys from sticking and to remove dust, lint, and particles that can become trapped beneath the keys. A can of compressed air with a straw extension can be used to blow air around and under the keys to loosen and remove debris.

Traveling and shipping

The computer is built to go with you for work and play. For best results, follow the traveling and shipping tips described here.

- To prepare the computer for traveling and shipping, follow these steps:
 1. Back up your information.
 2. Remove all optical discs and all external media cards, such as digital cards and ExpressCards.

△ **CAUTION:** To reduce the risk of damage to the computer, damage to a drive, or loss of information, remove discs from a drive before removing the drive from a drive bay, and before shipping, storing, or traveling with a drive.
 3. Turn off and then disconnect all external devices.
 4. Shut down the computer.
- Take along a backup of your information. Keep the backup separate from the computer.
- When traveling by air, carry the computer as hand luggage, and do not check it in with the rest of your bags.

△ **CAUTION:** Avoid exposing a drive to magnetic fields. Security devices with magnetic fields include airport walk-through devices and security wands. Security devices that use x-rays to check luggage moving on conveyor belts do not damage a drive.

- If you plan to use the computer during a flight, check with the airline in advance. In-flight computer use is at the discretion of the airline.
- If the computer will be unused and disconnected from external power for more than 2 weeks, remove the battery and store it separately.
- If you are shipping the computer or a drive, place it in a bubble-pack mailer or other suitable protective packaging and label the package “FRAGILE.”
- If the computer has a wireless device or a cell phone device installed, such as an 802.11b/g, a Global System for Mobile Communications (GSM), or a General Packet Radio Service (GPRS) device, note that the use of these devices may be restricted in some environments. Such restrictions may apply onboard aircraft, in hospitals, near explosives, in hazardous locations, and so on. If you are uncertain of the policy that applies to the use of a particular device, ask for authorization to use it before you turn it on.
- If you are traveling internationally, follow these suggestions:
 - Check the computer-related customs regulations for each country or region on your itinerary.
 - Contact technical support to discuss power cord and adapter requirements for each location in which you plan to use the computer. Voltage, frequency, and plug configurations vary.

△ **WARNING!** To reduce the risk of electric shock, fire, or damage to the equipment, do not attempt to power the computer with a voltage converter kit sold for appliances.

Index

- A**
 - AC adapter, identifying 12
 - antennae 11
 - applications key, Windows 5
 - audio-in jack 8
 - audio-out jack 8
- B**
 - battery bay 10, 13
 - battery light, identifying 7
 - battery release latches, identifying 10
 - battery, identifying 12
 - bays
 - battery 13
 - Bluetooth label 13
 - buttons
 - TouchPad 3
- C**
 - cables and cords
 - power 15
 - caps lock light, identifying 4
 - Certificate of Authenticity label 13
 - cleaning the display 14
 - cleaning the keyboard 14
 - components
 - additional hardware 12
 - bottom 10
 - display 9
 - front 6
 - left-side 8
 - right-side 7
 - top 3
 - connector, power 7
 - cord, power 12, 15
- D**
 - display
 - cleaning 14
- E**
 - display components 9
 - drive light 6
- E**
 - embedded numeric keypad keys, identifying 5
 - esc key, identifying 5
 - ExpressCard slot, identifying 7
 - external monitor port, identifying 8
- F**
 - fn key, identifying 5
 - function keys, identifying 5
- I**
 - internal microphones, identifying 9
- J**
 - jacks
 - audio-in 8
 - audio-out 8
 - RJ-45 (network) 7
- K**
 - keyboard, cleaning 14
 - keys
 - esc 5
 - fn 5
 - function 5
 - keypad 5
 - Windows applications 5
 - Windows logo 5
- L**
 - labels
 - Bluetooth 13
 - Microsoft Certificate of Authenticity 13
 - regulatory 13
 - service tag 10, 13
 - wireless certification 13
 - WLAN 13
 - latches, battery release 10
 - lights
 - battery 7
 - caps lock 4
 - drive 6
 - power 6
 - wireless 6
- M**
 - microphones, internal 9
 - Microsoft Certificate of Authenticity label 13
 - monitor port, external 8
- O**
 - operating system
 - Microsoft Certificate of Authenticity label 13
 - Product Key 13
- P**
 - ports
 - external monitor 8
 - USB 7, 8
 - power connector, identifying 7
 - power cord, identifying 12
 - power light 6
 - power switch 6
 - Product Key 13
 - product name and number, computer 10, 13
- R**
 - regulatory information
 - regulatory label 13
 - wireless certification labels 13

release latches, battery 10
RJ-45 (network) jack,
 identifying 7

S

scrolling regions, TouchPad 3
SD Card Reader 7
security cable slot, identifying 7
serial number, computer 10, 13
service tag 10, 13
shipping the computer 14
slots
 ExpressCard 7
 security cable 7
speakers, identifying 9
switches
 power 6
 wireless 6

T

TouchPad
 buttons 3
 identifying 3
 scrolling regions 3
TouchPad button 3
traveling with the computer
 wireless certification labels 13

U

USB ports, identifying 7, 8

V

vents, identifying 8, 10
video, recording 9

W

webcam 9
Windows applications key,
 identifying 5
Windows logo key, identifying 5
wireless antennae 11
wireless certification label 13
wireless light 6
wireless switch 6
WLAN device 13
WLAN label 13

