

# Drives

## User Guide

© Copyright 2008 Hewlett-Packard  
Development Company, L.P.

Microsoft and Windows are U.S. registered  
trademarks of Microsoft Corporation.

The information contained herein is subject  
to change without notice. The only  
warranties for HP products and services are  
set forth in the express warranty statements  
accompanying such products and services.  
Nothing herein should be construed as  
constituting an additional warranty. HP shall  
not be liable for technical or editorial errors  
or omissions contained herein.

Second Edition: May 2008

First Edition: January 2008

Document Part Number: 461705-002

## Product notice

This user guide describes features that are common to most models. Some features may not be available on your computer.



---

# Table of contents

## 1 Identifying installed drives

## 2 Handling drives

## 3 Using an optical drive

Identifying the installed optical drive .....	3
Using optical discs (CDs and DVDs) .....	3
Playing a CD or DVD .....	5
Using AutoPlay .....	6
Observing the copyright warning .....	6
Copying a CD or DVD .....	6
Creating or “burning” a CD or DVD .....	7
Removing a CD or DVD .....	8
When the disc tray opens .....	8
When the disc tray does not open .....	8
Preventing playback disruptions .....	10
Changing DVD region settings .....	11

## 4 Improving hard drive performance

Using Disk Defragmenter .....	12
Using Disk Cleanup .....	13

## 5 Replacing the hard drive

## 6 Resolving problems

The computer does not detect the optical drive .....	16
Uninstall and reinstall drivers .....	17
Obtaining the latest HP device drivers .....	17
Obtaining the latest Windows device drivers .....	18
An optical disc does not play automatically .....	19
The process of burning a disc does not begin, or it stops before completion .....	19
A DVD playing in Windows Media Player produces no sound or display .....	19




---

# 1 Identifying installed drives

To view the drives installed on the computer, select **Start > Computer**.

The installed hard drives will be listed, along with the total capacity and space available on each drive. Devices with removable storage will also be listed.

 **NOTE:** Windows® includes the User Account Control feature to improve the security of your computer. You may be prompted for your permission or password for tasks such as installing software, running utilities, or changing Windows settings. Refer to Windows Help for more information.

---

---

## 2 Handling drives

Drives are fragile computer components that must be handled with care. Refer to the following cautions before handling drives. Additional cautions are included with the procedures to which they apply.

△ **CAUTION:** To reduce the risk of damage to the computer, damage to a drive, or loss of information, observe these precautions:

Before handling a drive, discharge static electricity by touching the unpainted metal surface of the drive.

Do not touch the connector pins on a removable drive or on the computer.

Handle a drive carefully; do not drop a drive or place items on it.

Before removing or installing a drive, shut down the computer. If you are unsure whether the computer is off, in the Sleep state, or in Hibernation, turn the computer on, and then shut it down through the operating system.

Do not use excessive force when inserting a drive into a drive bay.

Do not type on the keyboard or move the computer while the optical drive is writing to a disc. The write process is sensitive to vibration.

When the battery is the only source of power, be sure that the battery is sufficiently charged before writing to media.

Avoid exposing a drive to temperature or humidity extremes.

Avoid exposing a drive to liquids. Do not spray the drive with cleaning products.

Remove media from a drive before removing the drive from the drive bay, or traveling with, shipping, or storing a drive.

If a drive must be mailed, place the drive in a bubble-pack mailer or other suitable protective packaging and label the package "FRAGILE."

Avoid exposing a drive to magnetic fields. Security devices with magnetic fields include airport walk-through devices and security wands. The airport security devices that check carry-on luggage, such as conveyor belts, use x-rays instead of magnetism and will not damage a drive.

---



# 3 Using an optical drive

## Identifying the installed optical drive

Select **Start > Computer**.

## Using optical discs (CDs and DVDs)

An optical drive supports optical discs (CDs and DVDs). Blank CD-R discs can be used to record music or store data permanently. This information cannot be updated. If you plan to erase, add to, or revise the stored information, use a blank CD-RW disc. Blank DVD+/-R discs have considerably more storage capacity than CDs and can be used to permanently store movies or other large amounts of information. If you plan to erase, add to, or revise the stored information, use a blank DVD+/-RW disc.

Features of selected optical drives are detailed in the following table:

Optical drive type	Read CD and DVD-ROM media	Write to CD-RW media	Write to DVD ±RW/R media	Write to DVD +RW DL media	Write label to LightScribe* CD or DVD ±RW/R	Write to DVD-RAM media
DVD±RW and CD-RW Combo Drive with Double-Layer support	Yes	Yes	Yes	Yes	No	Yes
LightScribe* DVD±RW and CD-RW Combo Drive with Double-Layer support	Yes	Yes	Yes	Yes	Yes	Yes
HD DVD-ROM with SuperMulti DVD±R/RW Double Layer support	Yes	Yes	Yes	Yes	No	Yes
Blu-ray Disc ROM with SuperMulti DVD±R/RW Double Layer support	Yes	Yes	Yes	Yes	No	Yes

**NOTE:** Some of the optical drives listed may not be supported by your computer. The listed drives are not necessarily all of the supported optical drives.

---

Optical drive type	Read CD and DVD-ROM media	Write to CD-RW media	Write to DVD $\pm$ RW/R media	Write to DVD +RW DL media	Write label to LightScribe* CD or DVD $\pm$ RW/R	Write to DVD-RAM media
--------------------	---------------------------	----------------------	-------------------------------	---------------------------	--	------------------------


---

\* LightScribe is media software that allows you to add a designer label to the outside of a disc.

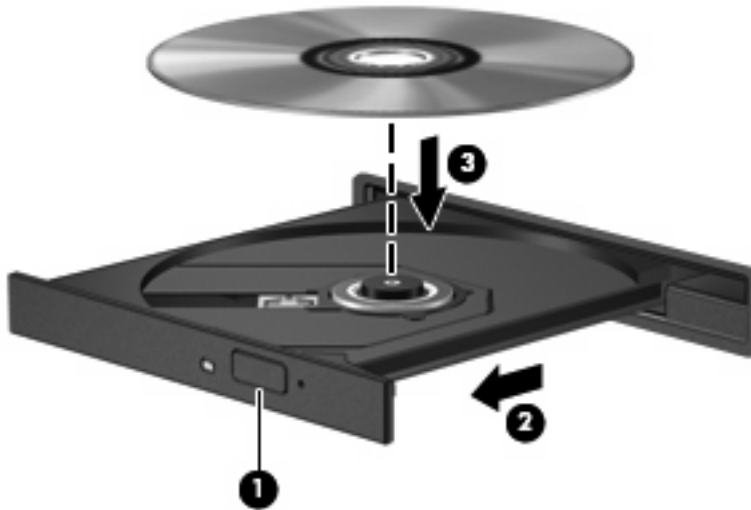
---

## Playing a CD or DVD

1. Turn on the computer.
2. Press the release button (1) on the drive bezel to release the disc tray.
3. Pull out the tray (2).
4. Hold the disc by the edges to avoid touching the flat surfaces and position the disc label-side up over the tray spindle.

 **NOTE:** If the tray is not fully accessible, tilt the disc carefully to position it over the spindle.

5. Gently press the disc (3) down onto the tray spindle until the disc snaps into place.



6. Close the disc tray.

If you have not yet configured AutoPlay, as described in the following section, an AutoPlay dialog box opens. It prompts you to select how you want to use the media content.

## Using AutoPlay

To configure AutoPlay, follow these steps:

1. Select **Start > Control Panel > Play CDs or other media automatically**.
2. Confirm that the **Use AutoPlay for all media and devices** check box at the upper left of the computer screen is selected.
3. Click **Choose a default** for each media type listed.
4. Click either **Take no action** or **Ask me every time** to prevent the automatic playing of a CD or DVD.
5. Click **Save** to confirm your selections.

## Observing the copyright warning

It is a criminal offense, under applicable copyright laws, to make unauthorized copies of copyright-protected material, including computer programs, films, broadcasts, and sound recordings. Do not use this computer for such purposes.

---

△ **CAUTION:** To prevent loss of information or damage to a disc, observe the following guidelines:

Before writing to a disc, connect the computer to a reliable external power source. Do not write to a disc while the computer is running on battery power.

Before writing to a disc, close all open programs except the disc software you are using.

Do not copy directly from a source disc to a destination disc or from a network drive to a destination disc.

Do not use the computer keyboard or move the computer while the computer is writing to a disc. The write process is sensitive to vibration.

📄 **NOTE:** For details about using software included with the computer, refer to the software manufacturer's instructions, which may be provided with the software, on disc, or on the manufacturer's Web site.

---

## Copying a CD or DVD

1. Select **Start > All Programs > Cyberlink DVD Suites > Power2Go**.
2. Insert the disc you want to copy into the optical drive.
3. Click **Copy** at the bottom right of the screen.  
Power2Go reads the source disc and copies the data to a temporary folder on your hard drive.
4. When prompted, remove the source disc from the optical drive and insert a blank disc into the drive.  
After the information is copied, the disc you created ejects automatically.


# Creating or “burning” a CD or DVD

If your computer includes a CD-RW, DVD-RW, or DVD+/-RW optical drive, you can use software such as Windows Media Player or Cyberlink Power2Go to burn data and audio files, including MP3 and WAV music files. To burn video files to a CD or DVD, use MyDVD.

Observe the following guidelines when burning a CD or DVD:

- Before burning a disc, save and close any open files and close all programs.
- A CD-R or DVD-R is usually best for burning audio files because after the information is copied, it cannot be changed.

---

 **NOTE:** You cannot create an audio DVD with Cyberlink Power2Go.

---

- Because some home and car stereos will not play CD-RWs, use CD-Rs to burn music CDs.
- A CD-RW or DVD-RW is generally best for burning data files or for testing audio or video recordings before you burn them to a CD or DVD that cannot be changed.
- DVD players used in home systems usually do not support all DVD formats. Refer to the user guide that came with your DVD player for a list of supported formats.
- An MP3 file uses less space than other music file formats, and the process for creating an MP3 disc is the same as the process for creating a data file. MP3 files can be played only on MP3 players or on computers with MP3 software installed.

To burn a CD or DVD, follow these steps:

1. Download or copy the source files into a folder on your hard drive.
2. Insert a blank CD or DVD into the optical drive.
3. Select **Start > All Programs** and the name of the software you want to use.
4. Select the kind of CD or DVD you want to create—data, audio, or video.
5. Right-click **Start > Explore** and navigate to the folder where the source files are stored.
6. Open the folder, and then drag the files to the drive that contains the blank optical disc.
7. Initiate the burning process as directed by the program you have selected.


Refer to the software Help file or user guide for more specific instructions.

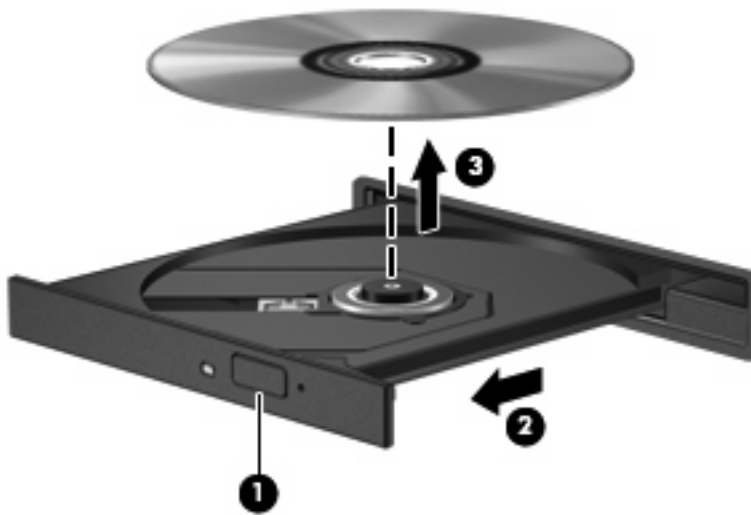
## Removing a CD or DVD

There are 2 ways to remove a disc, depending on whether the disc tray opens normally or not.

### When the disc tray opens

1. Press the release button **(1)** on the drive bezel to release the disc tray, and then gently pull out the tray **(2)** until it stops.
2. Remove the disc **(3)** from the tray by gently pressing down on the spindle while lifting the outer edges of the disc. Hold the disc by the edges and avoid touching the flat surfaces.

 **NOTE:** If the tray is not fully accessible, tilt the disc carefully as you remove it.




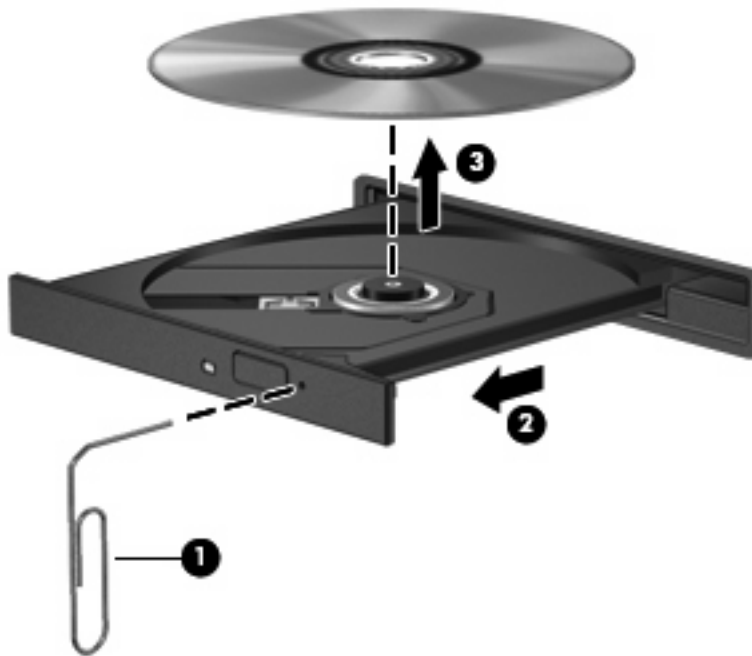
3. Close the disc tray and place the disc in a protective case.

### When the disc tray does not open

1. Insert the end of a paper clip **(1)** into the release access in the front bezel of the drive.
2. Press in gently on the paper clip until the tray is released, and then pull out the tray **(2)** until it stops.

3. Remove the disc (3) from the tray by gently pressing down on the spindle while lifting the outer edges of the disc. Hold the disc by the edges and avoid touching the flat surfaces.

 **NOTE:** If the tray is not fully accessible, tilt the disc carefully as you remove it.



4. Close the disc tray and place the disc in a protective case.

## Preventing playback disruptions

- Save your work and close all open programs before playing a CD or a DVD.
- Log off the Internet before playing a CD or a DVD.
- Be sure that you insert the disc properly.
- Be sure that the disc is clean. If necessary, clean the disc with filtered water and a lint-free cloth. Wipe from the center of the disc to the outer edge.
- Check the disc for scratches. If you find scratches, treat the disc with an optical disc repair kit available at many electronics stores.
- Disable Sleep mode before playing the disc.

Do not initiate Hibernation or Sleep while playing a disc. Otherwise, you may see a warning message asking if you want to continue. If this message is displayed, click **No**. After you click No, the computer may behave in either of the following ways:

- Playback may resume.

— or —

- The playback window in the multimedia program may close. To return to playing the disc, click the **Play** button in your multimedia program to restart the disc. In rare cases, you may need to exit the program and then restart it.

- Increase system resources:

Turn off printers and scanners. Unplug cameras and portable handheld devices. Windows looks for Plug and Play devices. Disconnecting them frees up valuable system resources and results in better playback performance.

Change desktop color properties. Because the human eye cannot easily tell the difference between colors beyond 16 bits, you should not notice any loss of color while watching a movie if you lower system color properties to 16-bit color, as follows:

- Right-click anywhere on the desktop—not on an icon—select **Personalize > Display Settings**.
- Set **Colors** to **Medium (16 bit)**.



# Changing DVD region settings

Most DVDs that contain copyrighted files also contain region codes. The region codes help protect copyrights internationally.

You can play a DVD containing a region code only if the region code on the DVD matches the region setting on your DVD drive.

---

△ **CAUTION:** The region settings on your DVD drive can be changed only 5 times.

The region setting you select the fifth time becomes the permanent region setting on the DVD drive.


The number of region changes remaining is displayed on the DVD Region tab.

---

To change settings through the operating system:

1. Select **Start > Computer > System properties**.
2. In the left pane, click **Device Manager**.

---

 **NOTE:** Windows includes the User Account Control feature to improve the security of your computer. You may be prompted for your permission or password for tasks such as installing software, running utilities, or changing Windows settings. Refer to Windows Help for more information.

---

3. Click the "+" sign next to **DVD/CD-ROM drives**.
4. Right-click the DVD drive for which you want to change region settings, and then click **Properties**.
5. Click the **DVD Region** tab, and change settings.
6. Click **OK**.

---

# 4 Improving hard drive performance

## Using Disk Defragmenter

As you use the computer, files on the hard drive become fragmented. Disk Defragmenter consolidates the fragmented files and folders on the hard drive so that the system can run more efficiently.


Disk Defragmenter is easy to use. After you start it, it works without supervision. Depending on the size of your hard drive and the number of fragmented files, it may take more than an hour to complete. You may want to set it to run during the night or another time when you do not need access to your computer.

HP recommends defragmenting your hard drive at least once a month. You may set Disk Defragmenter to run on a monthly schedule, but you can defragment your computer manually at any time.

To run Disk Defragmenter:

1. Select **Start > All Programs > Accessories > System Tools > Disk Defragmenter**.
2. Click **Defragment now**.

---

 **NOTE:** Windows® includes the User Account Control feature to improve the security of your computer. You may be prompted for your permission or password for tasks such as installing software, running utilities, or changing Windows settings. Refer to Windows Help for more information.

---

## Using Disk Cleanup

Disk Cleanup searches the hard drive for unnecessary files that you can safely delete to free up disk space and help the computer to run more efficiently.

To run Disk Cleanup:

1. Select **Start > All Programs > Accessories > System Tools > Disk Cleanup**.
2. Follow the on-screen instructions.

## 5 Replacing the hard drive

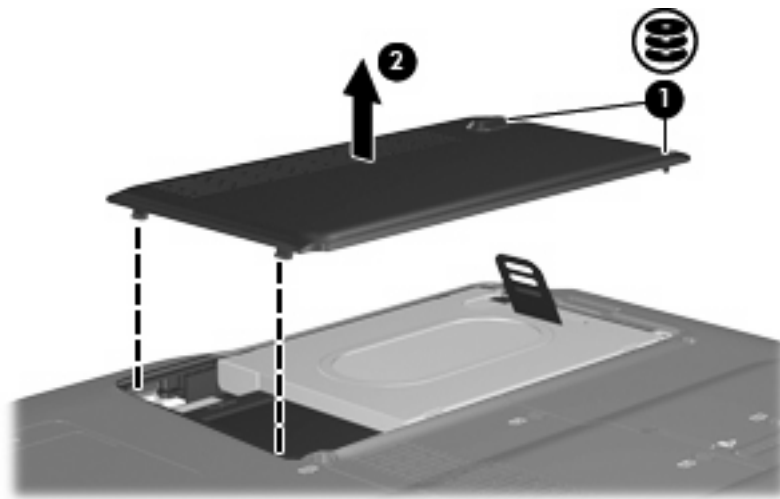
△ **CAUTION:** To prevent information loss or an unresponsive system:

Shut down the computer before removing the hard drive from the hard drive bay. Do not remove the hard drive while the computer is on, in the Sleep state, or in Hibernation.

If you are not sure whether the computer is off or in Hibernation, turn the computer on by pressing the power button. Then shut down the computer through the operating system.

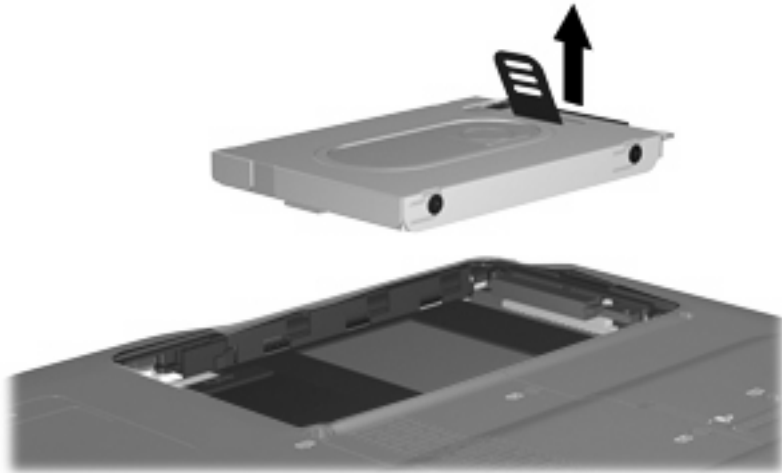
To remove the hard drive:

1. Save your work.
2. Shut down the computer and close the display.
3. Disconnect all external devices connected to the computer.
4. Unplug the power cord from the AC outlet.
5. Turn the computer upside down on a flat surface.
6. Remove the battery from the computer.
7. With the hard drive bay toward you, loosen the 2 hard drive cover screws (1).
8. Lift the hard drive cover away from the computer (2).



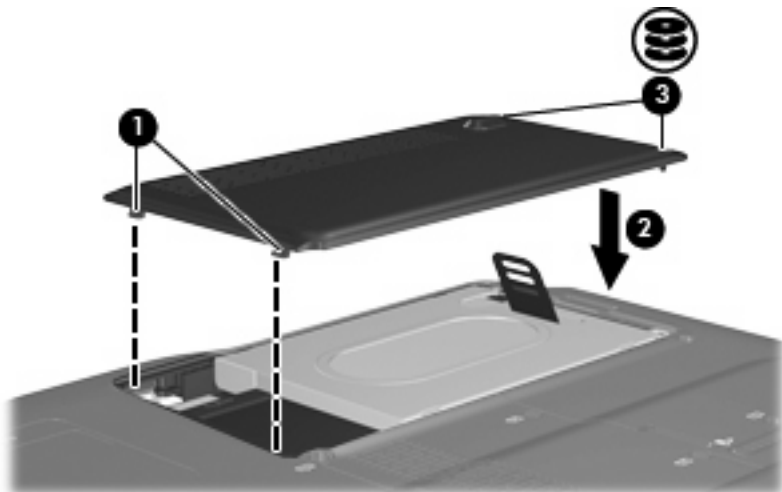
9. Remove the 2 hard drive screws.

10. Pull the hard drive tab up, and then lift the hard drive away from the computer.



To install a hard drive:

1. Insert the hard drive into the hard drive bay.
2. Gently press the hard drive down until it snaps into place.
3. Align the tabs (1) on the hard drive cover with the notches on the computer.
4. Close the cover (2).
5. Tighten the hard drive cover screws (3).



---

## 6 Resolving problems

### The computer does not detect the optical drive

If Windows does not detect an installed device, the device driver software may be missing or corrupted. If you suspect that the DVD/CD-ROM drive is not being detected, verify that the optical drive is listed in the Device Manager utility.

1. Remove any discs from the optical drive.
2. Click **Start** and type `device manager` in the **Start Search** box.

As you type, search results are listed in the pane above the box.


3. In the results pane, click **Device Manager**. If prompted by User Account Control, click **Continue**.
4. In the Device Manager window, click the plus sign (+) next to **DVD/CD-ROM drives**, unless a minus sign (-) is already showing. Look for an optical drive listing.

If the drive is not listed, install (or reinstall) the device driver as instructed in the following section.

## Uninstall and reinstall drivers

1. Remove any discs from the optical drive.
2. Click **Start** and type `device manager` in the **Start Search** box.  
As you type, search results are listed in the pane above the box.
3. In the results pane, click **Device Manager**. If prompted by User Account Control, click **Continue**.
4. In Device Manager, click the plus sign (+) next to the type of driver you want to uninstall and reinstall (for example, DVD/CD-ROMs, Modems, and so on) unless the minus sign (-) is already showing.
5. Click a listed driver, and press the `delete` key. When prompted, confirm that you want to delete the driver, but do not restart the computer.  
Repeat for any other drivers you want to delete.
6. In the Device Manager window, click the **Scan for hardware changes** icon in the toolbar. Windows scans your system for installed hardware and installs default drivers for anything requiring drivers.  

---

 **NOTE:** If you are prompted to restart the computer, save all open files, and then continue with the restart.

---
7. Reopen Device Manager, if necessary, and then verify that the drivers are once again listed.
8. Try running your program again.

If uninstalling and reinstalling the default device drivers does not correct the problem, you may need to update your drivers using the procedures in the following section.

## Obtaining the latest HP device drivers

You can obtain the latest HP device drivers in either of the following ways:

- Using the HP Update Utility
- Using the HP Web site

To use the HP Update Utility:

1. Select **Start > All Programs > HP > HP Update**.
2. On the HP Welcome screen, click **Settings** and select a time when the utility should check for software updates on the Web.
3. Click **Next** to immediately check for HP software updates.

To use the HP Web site:

1. Open your Internet browser, go to <http://www.hp.com>, and click the **Software & Driver Downloads** link.
2. On the **Software & Driver downloads** page, type your computer model number as instructed, and then press **Enter**.

— or —

If you want a specific SoftPaq, enter the SoftPaq number in the **Search** box, press **Enter**, and follow the instructions provided. Proceed to step 6.

3. Click your specific product from the models listed.
4. Click the Windows Vista operating system.
5. When the list of drivers is displayed, click an updated driver to open a window containing additional information.
6. Click **Install now** to install the updated driver without downloading the file.

— or —

Click **Download only** to save the file to your computer. When prompted, click **Save** and then select a storage location on your hard drive.

After the file is downloaded, navigate to the folder where the file was stored, and double-click the file to install.

7. If prompted to do so, restart your computer after the installation is complete, and then verify the operation of the device.

## Obtaining the latest Windows device drivers

You can obtain the latest Windows device drivers by using Microsoft® Update. This Windows feature can be set to automatically check for and install updates for the Windows operating system and other Microsoft products.

To use Microsoft Update:

1. Open your Internet browser and go to <http://www.microsoft.com>.
2. Click **Security & Updates**.
3. Click **Microsoft Update** to get the latest updates for your computer operating system, programs, and hardware.
4. Follow the on-screen instructions to install Microsoft Update. If prompted by User Account Control, click **Continue**.
5. Click **Change settings** and select a time for Microsoft Update to check for updates to the Windows operating system and other Microsoft products.
6. If prompted to do so, restart your computer.



## An optical disc does not play automatically

1. Click **Start** and type `autoplay` in the **Start Search** box.

As you type, search results are listed in the pane above the box.

2. In the results pane, click **Autoplay**. If prompted by User Account Control, click **Continue**.
3. Select the check box for **Use AutoPlay for all media and devices**, and then click **Save**.

A CD or DVD should now start automatically when it is inserted into the optical drive.

## The process of burning a disc does not begin, or it stops before completion

- Be sure that all other programs are closed.
- Turn off Sleep mode and Hibernation.
- Be sure that you are using the right kind of disc for your drive. See your user guides for more information about disc types.
- Be sure that the disc is inserted properly.
- Select a slower write speed and try again.
- If you are copying a disc, save the information on the source disc to your hard drive before trying to burn the contents to a new disc, and then burn from your hard drive.
- Reinstall the disc-burning device driver located in the DVD/CD-ROM drives category in Device Manager.

## A DVD playing in Windows Media Player produces no sound or display

To resolve this problem, download and install HP Memories Disc Creator, available from the HP Web site at <http://www.hp.com>.

---

# Index

## A

airport security devices 2

## C

CD drive 3

CD, removing 8

## D

Disk Cleanup software 13

Disk Defragmenter software 12

disk performance 12

drives

    caring for 2

    hard 14, 15

    optical 3

DVD

    changing region setting 11

    removing 8

DVD drive 3

DVD region settings 11

DVD±RW and CD-RW Combo

    Drive with Double-Layer

    support 3

## H

hard disk drive

    installing 15

    removing 14

    replacing 14

hard drive

    installing 15

    removing 14

    replacing 14

## L

LightScribe DVD±RW and CD-RW

    Combo Drive with Double-Layer

    support 3

## M

maintenance

    Disk Cleanup 13

    Disk Defragmenter 12

## O

optical drive 3

## R

region codes, DVD 11

## S

software

    Disk Cleanup 13

    Disk Defragmenter 12

