

Drives

User Guide

© Copyright 2008 Hewlett-Packard
Development Company, L.P.

The information contained herein is subject to change without notice. The only warranties for HP products and services are set forth in the express warranty statements accompanying such products and services. Nothing herein should be construed as constituting an additional warranty. HP shall not be liable for technical or editorial errors or omissions contained herein.

First Edition: April 2008

Document Part Number: 486475-001

Product notice

This user guide describes features that are common to most models. Some features may not be available on your computer.

Table of contents

1 Identifying installed drives

2 Handling drives

3 Replacing a hard drive

Index 7

1 Identifying installed drives

- ▲ To view the drives installed on the computer, select **Computer**.
Look under **Status** for a list of installed drives.

2 Handling drives

Drives are fragile computer components that must be handled with care. Refer to the following cautions before handling drives. Additional cautions are included with the procedures to which they apply.

△ **CAUTION:** To reduce the risk of damage to the computer, damage to a drive, or loss of information, observe these precautions:

Before you move a computer or external hard drive from one location, initiate Sleep, and allow the screen to clear.

Before handling a drive, discharge static electricity by touching the unpainted metal surface of the drive.

Do not touch the connector pins on a removable drive or on the computer.

Handle a drive carefully; do not drop a drive or place items on it.

Before removing or inserting a drive, shut down the computer. If you are unsure whether the computer is off or in Hibernation, turn the computer on and then shut it down through the operating system.

Do not use excessive force when inserting a drive into a drive bay.

Do not type on the keyboard or move the computer while the optical drive is writing to a disc. The write process is sensitive to vibration.

When the battery is the only source of power, be sure that the battery is sufficiently charged before writing to media.

Avoid exposing a drive to temperature or humidity extremes.

Avoid exposing a drive to liquids. Do not spray the drive with cleaning products.

Remove media from a drive before removing the drive from the drive bay, or traveling with, shipping, or storing a drive.

If a drive must be mailed, place the drive in a bubble-pack mailer or other suitable protective packaging and label the package "FRAGILE."

Avoid exposing a drive to magnetic fields. Security devices with magnetic fields include airport walk-through devices and security wands. The airport security devices that check carry-on luggage, such as conveyor belts, use x-rays instead of magnetism and will not damage a drive.

3 Replacing a hard drive

△ **CAUTION:** To prevent information loss or an unresponsive system:

Shut down the computer before removing the hard drive from the hard drive bay. Do not remove the hard drive while the computer is on, in the Sleep state, or in Hibernation.

If you are not sure whether the computer is off or in Hibernation, turn the computer on by briefly sliding the power switch. Then shut down the computer through the operating system.

To remove a hard drive:

1. Save your work.
2. Shut down the computer and close the display.
3. Disconnect all external hardware devices connected to the computer.
4. Unplug the power cord from the AC outlet.
5. Turn the computer upside down on a flat surface, with the battery bay toward you.
6. Remove the battery from the computer.
7. Remove the 3 screws from the back edge of the computer.

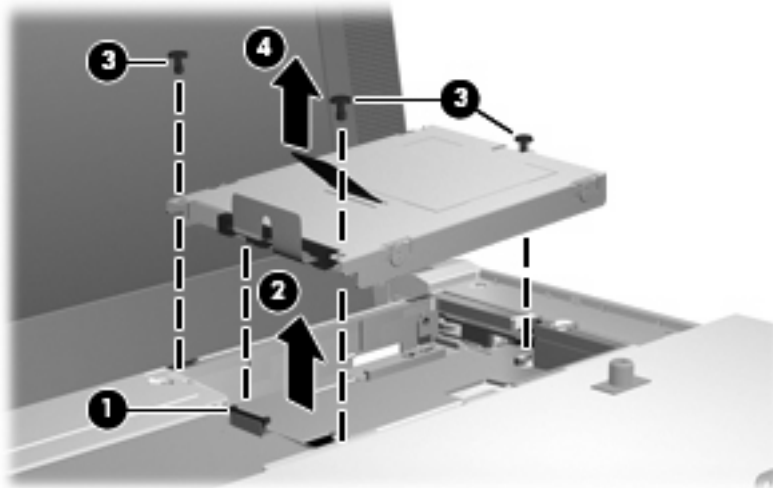


8. Turn the computer display-side up, with the front toward you, and open it.

9. Lift the top edge of the keyboard up **(1)** and remove the keyboard from the computer **(2)** to expose the hard drive.



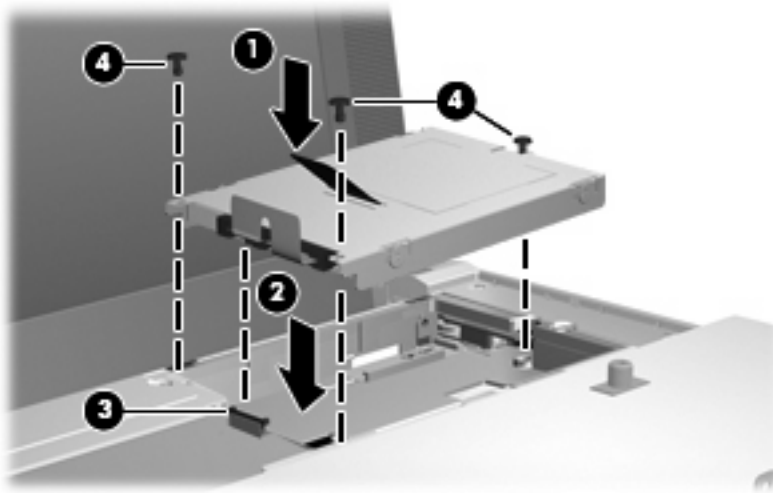
10. Release the zero insertion force (ZIF) connector **(1)** to which the hard drive cable is attached, and then disconnect the hard drive cable **(2)** by pulling upward.
11. Loosen and remove the 3 hard drive screws **(3)**.
12. Use the tab **(4)** on the hard drive to lift the hard drive out of the hard drive bay.



To install a hard drive:

1. Insert the hard drive into the hard drive bay **(1)**.
2. Insert the hard drive cable into the ZIF connector **(2)**.
3. Press the ZIF connector down **(3)** to secure the hard drive cable.

4. Insert and tighten the 3 hard drive screws (4).



5. Insert the front of the keyboard into the keyboard tray (1), and then press the keyboard into place (2).



6. Close the computer display and turn the computer upside down on a flat surface.

7. Replace the 3 screws on the back edge of the computer.



8. Replace the battery.

Index

A

airport security devices 2

D

drives

 caring for 2

 hard 3, 4

 See *also* hard drive; optical drive

H

hard disk drive

 installing 4

 replacing 3

hard drive

 installing 4

 replacing 3

