

# Notebook Tour

## User Guide

© Copyright 2008 Hewlett-Packard  
Development Company, L.P.

Bluetooth is a trademark owned by its proprietor and used by Hewlett-Packard Company under license. SD Logo is a trademark of its proprietor. Windows is a U.S. registered trademark of Microsoft Corporation.

The information contained herein is subject to change without notice. The only warranties for HP products and services are set forth in the express warranty statements accompanying such products and services. Nothing herein should be construed as constituting an additional warranty. HP shall not be liable for technical or editorial errors or omissions contained herein.

First Edition: June 2008

Document Part Number: 463782-001

## Safety warning notice

- 
- △ **WARNING!** To reduce the possibility of heat-related injuries or of overheating the computer, do not place the computer directly on your lap or obstruct the computer air vents. Use the computer only on a hard, flat surface. Do not allow another hard surface, such as an adjoining optional printer, or a soft surface, such as pillows or rugs or clothing, to block airflow. Also, do not allow the AC adapter to contact the skin or a soft surface, such as pillows or rugs or clothing, during operation. The computer and the AC adapter comply with the user-accessible surface temperature limits defined by the International Standard for Safety of Information Technology Equipment (IEC 60950).
-



---

# Table of contents

## 1 Identifying hardware

## 2 Components

Product notice .....	2
Display components .....	2
Top components .....	3
TouchPad .....	3
Lights .....	4
Buttons, switches, and fingerprint reader .....	6
Keys .....	8
Front components .....	8
Rear components .....	9
Right-side components .....	10
Left-side components .....	13
Bottom components .....	13
Wireless antennae (select models only) .....	14
Additional hardware components .....	16

## 3 Labels

Index .....	18
-------------	----



---


# 1 Identifying hardware

To see a list of hardware installed in the computer, follow these steps:

1. Select **Start > Computer > System properties**.
2. In the left pane, click **Device Manager**.

You can also add hardware or modify device configurations using Device Manager.

---

 **NOTE:** Windows® includes the User Account Control feature to improve the security of your computer. You may be prompted for your permission or password for tasks such as installing applications, running utilities, or changing Windows settings. Refer to Windows Help for more information.

---

---

## 2 Components

### Product notice

This user guide describes features that are common to most models. Some features may not be available on your computer.

### Display components

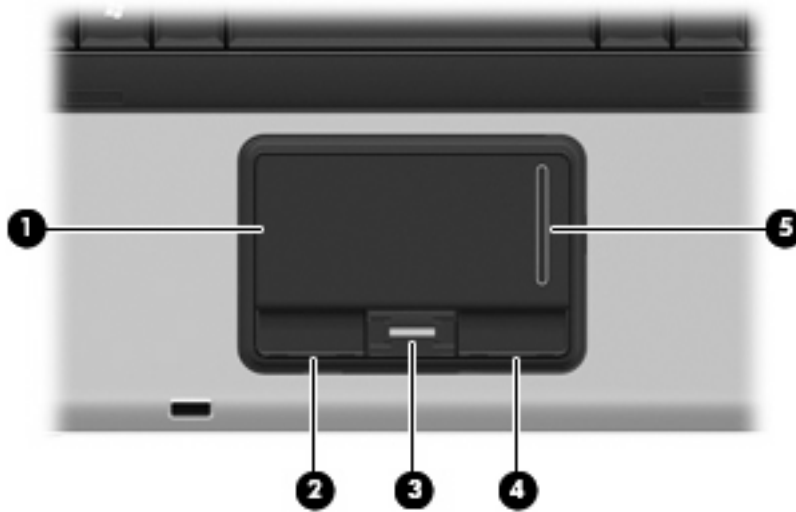


Component	Description
(1) Internal microphones (2) (select models only)	Record sound. <b>NOTE:</b> Some models have one internal microphone.
(2) Webcam light (select models only)	On: The integrated camera is in use.
(3) HP Webcam (select models only)	Records audio and video and captures still photographs.



# Top components

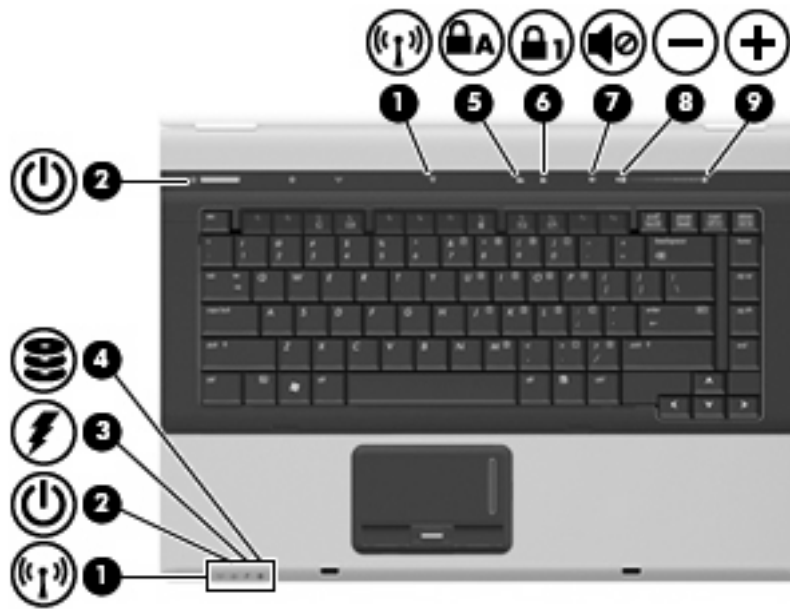
## TouchPad



Component	Description
(1) TouchPad*	Moves the pointer and selects or activates items on the screen.
(2) Left TouchPad button*	Functions like the left button on an external mouse.
(3) Fingerprint reader (select models only)	Allows a fingerprint logon to Windows, instead of a password logon.
(4) Right TouchPad button*	Functions like the right button on an external mouse.
(5) TouchPad scroll zone	Scrolls up or down.

\*This table describes factory settings. To view or change pointing device preferences, select **Start > Control Panel > Hardware and Sound > Mouse**.

# Lights



Component	Description
(1) Wireless lights (2)*	<ul style="list-style-type: none"> <li>Blue: An integrated wireless device, such as a wireless local area network (WLAN) device, an HP Broadband Wireless Module, and/or a Bluetooth® device, is on.</li> <li>Amber: All wireless devices are off.</li> </ul>
(2) Power lights (2)†	<ul style="list-style-type: none"> <li>On: The computer is on.</li> <li>Blinking: The computer is in the Sleep state.</li> <li>Blinking rapidly: An AC adapter with a higher power rating should be connected.</li> <li>Off: The computer is off or in Hibernation.</li> </ul>
(3) Battery light	<ul style="list-style-type: none"> <li>Amber: A battery is charging.</li> <li>Turquoise: A battery is close to full charge capacity.</li> <li>Blinking amber: A battery that is the only available power source has reached a low battery level. When the battery reaches a critical battery level, the battery light begins blinking rapidly.</li> <li>Off: If the computer is plugged into an external power source, the light turns off when all batteries in the computer are fully charged. If the computer is not plugged into an external power source, the light stays off until the battery reaches a low battery level.</li> </ul>
(4) Drive light	<ul style="list-style-type: none"> <li>Blinking: The hard drive or optical drive is being accessed.</li> <li>Amber (select models only): HP 3D DriveGuard has temporarily parked the hard drive.</li> </ul>
(5) Caps lock light	On: Caps lock is on.
(6) Num lock light	On: Num lock is on or the embedded numeric keypad is enabled.

Component	Description
(7) Volume mute light	<ul style="list-style-type: none"> <li>• Off: Computer sound is on.</li> <li>• On: Computer sound is off.</li> </ul>
(8) Volume down light	Blinking: The volume scroll zone is being used to decrease speaker volume.
(9) Volume up light	Blinking: The volume scroll zone is being used to increase speaker volume.

\*The 2 wireless lights display the same information. The light on the wireless button is visible only when the computer is open. The wireless light on the front of the computer is visible whether the computer is open or closed.

†The 2 power lights display the same information. The light on the power button is visible only when the computer is open. The power light on the front of the computer is visible whether the computer is open or closed.


## Buttons, switches, and fingerprint reader

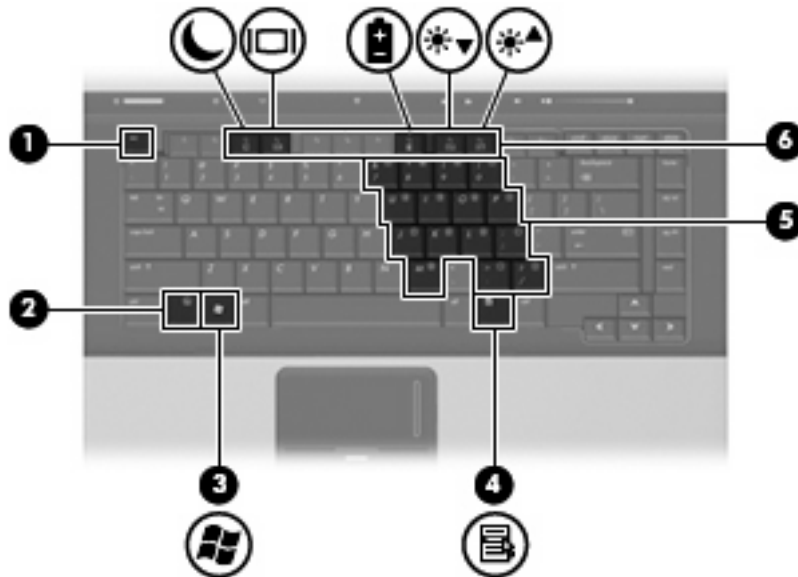


Component	Description
(1) Fingerprint reader	Allows a fingerprint logon to Windows, instead of a password logon.
(2) Power button	<ul style="list-style-type: none"> <li>When the computer is off, press the button to turn on the computer.</li> <li>When the computer is on, press the button to initiate Hibernation.</li> <li>When the computer is in Hibernation, press the button briefly to exit Hibernation.</li> <li>When the computer is in the Sleep state, press the button briefly to exit Sleep.</li> </ul> <p>If the computer has stopped responding and Windows® shutdown procedures are ineffective, press and hold the power button for at least 5 seconds to turn off the computer.</p> <p>To learn more about your power settings, select <b>Start &gt; Control Panel &gt; System and Maintenance &gt; Power Options</b>.</p>
(3) Internal display switch	Turns off the display if the display is closed while the power is on.
(4) Info button	<p>Launches Info Center, which provides shortcuts, such as the following:</p> <ul style="list-style-type: none"> <li><b>HP 3D DriveGuard</b>—Controls settings for software that protects the hard drive by parking the drive when the computer is dropped or moved.</li> <li><b>HP Software Setup</b>—Installs preloaded applications to make them accessible to the user.</li> <li><b>HP Wireless Assistant</b>—Turns wireless devices on or off.</li> </ul> <p><b>NOTE:</b> If a wireless device is disabled in Computer Setup, it must first be reenabled in Computer Setup before it can be turned on or off using Wireless Assistant.</p>

Component	Description
	<ul style="list-style-type: none"> <li>• <b>System Information</b>—Describes the memory, processor speed, BIOS (basic input-output system) and other essential information about your computer system.  <b>NOTE:</b> Click the <b>Advanced</b> button to see more information about your system.</li> <li>• <b>User Guides</b>—Provide specific details about the computer, including your components, power, drives, multimedia, security, and wireless features.  <b>NOTE:</b> After you configure QuickLook 2, you can open this feature by pressing the info button when the computer is off or in Hibernation.</li> </ul>
(5) Presentation button	Opens the Presentation Options window, where you can start a frequently used presentation, file, program, or Web site. You can also adjust display settings for optimum viewing.
(6) Wireless button	Turns the wireless feature on or off but does not establish a wireless connection.  <b>NOTE:</b> You must set up or access a wireless network to establish a wireless connection.
(7) Volume mute button	Mutes and restores speaker sound.
(8) Volume scroll zone	Adjusts speaker volume. Slide your finger to the left to decrease volume and to the right to increase volume.

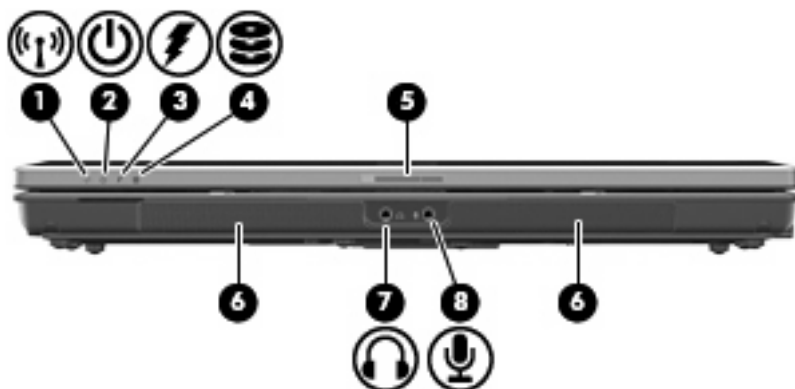
## Keys

 **NOTE:** Your computer may look slightly different from the illustration in this section.




Component	Description
(1) <code>esc</code> key	Displays system information when pressed in combination with the <code>fn</code> key.
(2) <code>fn</code> key	Executes frequently used system functions when pressed in combination with a function key or the <code>esc</code> key.
(3) Windows logo key	Displays the Windows Start menu.
(4) Windows applications key	Displays a shortcut menu for items beneath the pointer.
(5) Embedded numeric keypad keys	Can be used like the keys on an external numeric keypad.
(6) Function keys	Execute frequently used system functions when pressed in combination with the <code>fn</code> key.

## Front components



Component	Description
(1) Wireless light	<ul style="list-style-type: none"> <li>Blue: An integrated wireless device, such as a wireless local area network (WLAN) device, an HP Broadband Wireless Module, and/or a Bluetooth device, is on.</li> <li>Amber: All wireless devices are off.</li> </ul>
(2) Power light	<ul style="list-style-type: none"> <li>On: The computer is on.</li> <li>Blinking: The computer is in the Sleep state.</li> <li>Blinking rapidly: An AC adapter with a higher power rating should be connected.</li> <li>Off: The computer is off or in Hibernation.</li> </ul>
(3) Battery light	<ul style="list-style-type: none"> <li>Amber: A battery is charging.</li> <li>Turquoise: A battery is close to full charge capacity.</li> <li>Blinking amber: A battery that is the only available power source has reached a low battery level. When the battery reaches a critical battery level, the battery light begins blinking rapidly.</li> <li>Off: If the computer is plugged into an external power source, the light turns off when all batteries in the computer are fully charged. If the computer is not plugged into an external power source, the light stays off until the battery reaches a low battery level.</li> </ul>
(4) Drive light	<ul style="list-style-type: none"> <li>Blinking: The hard drive or optical drive is being accessed.</li> <li>Amber (select models only): HP 3D DriveGuard has temporarily parked the hard drive.</li> </ul>
(5) Display release latch	Opens the computer.
(6) Speakers (2)	Produce sound.
(7) Audio-out (headphone) jack	<p>Produces sound when connected to optional powered stereo speakers, headphones, ear buds, a headset, or television audio.</p> <p><b>NOTE:</b> When a device is connected to the headphone jack, the computer speakers are disabled.</p>
(8) Audio-in (microphone) jack	Connects an optional computer headset microphone, stereo array microphone, or monaural microphone.

## Rear components

 **NOTE:** Refer to the illustration that most closely matches your computer.




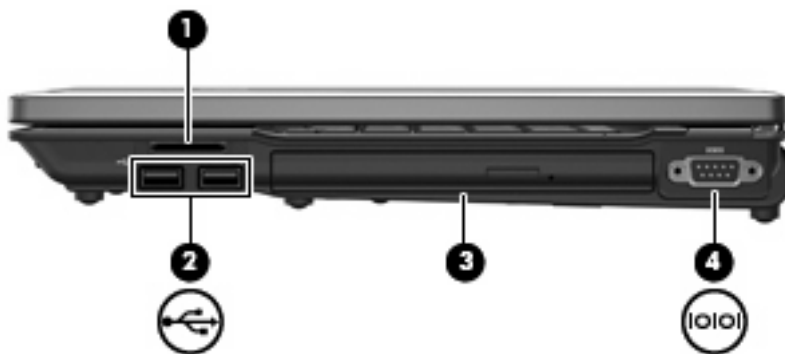
Component	Description
(1) Security cable slot	Attaches an optional security cable to the computer. <b>NOTE:</b> The security cable is designed to act as a deterrent, but it may not prevent the computer from being mishandled or stolen.
(2) RJ-11 (modem) jack	Connects a modem cable.
(3) RJ-45 (network) jack	Connects a network cable.
(4) External monitor port	Connects an external VGA monitor or projector.
(5) S-Video-out jack	Connects an optional S-Video device such as a television, VCR, camcorder, overhead projector, or video capture card.



Component	Description
(1) RJ-45 (network) jack	Connects a network cable.
(2) External monitor port	Connects an external VGA monitor or projector.
(3) S-Video-out jack	Connects an optional S-Video device such as a television, VCR, camcorder, overhead projector, or video capture card.

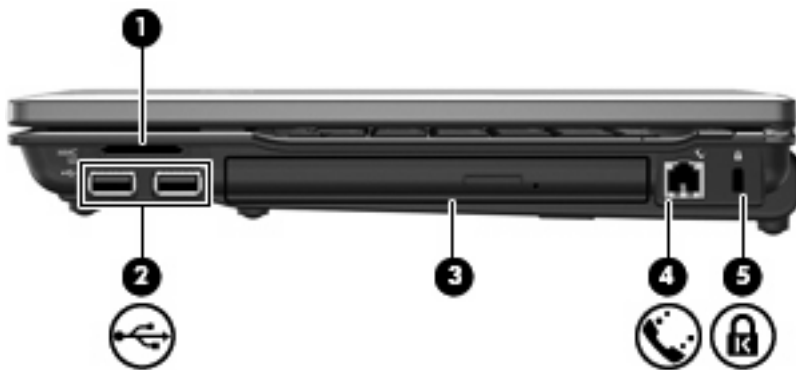
## Right-side components

 **NOTE:** Refer to the illustration that most closely matches your computer.





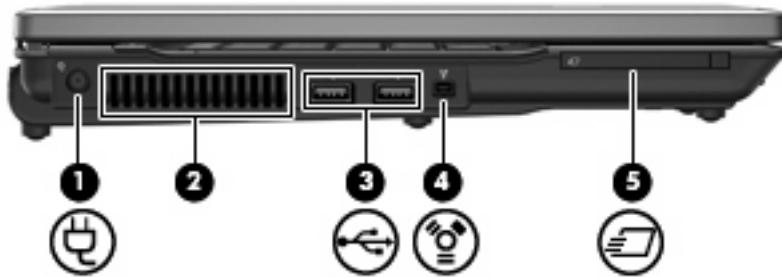
Component	Description
(1) Media Card Reader (select models only)	Supports the following optional digital card formats: <ul style="list-style-type: none"> <li>• Memory Stick</li> <li>• Memory Stick Pro</li> <li>• MultiMediaCard</li> <li>• MultiMediaCard Plus</li> <li>• Secure Digital Memory Card</li> <li>• Secure Digital High Capacity Memory Card</li> <li>• xD-Picture Card</li> <li>• xD-Picture Card Type H</li> <li>• xD-Picture Card Type M</li> </ul>
(2) USB ports (2) (select models only)	Connect optional USB devices.
(3) Optical drive	Reads an optical disc.
(4) Serial port	Connects an optional device, such as a modem, mouse, or printer.



Component	Description
(1) Media Card Reader (select models only)	Supports the following optional digital card formats: <ul style="list-style-type: none"> <li>• Memory Stick</li> <li>• Memory Stick Pro</li> <li>• MultiMediaCard</li> <li>• MultiMediaCard Plus</li> <li>• Secure Digital Memory Card</li> <li>• Secure Digital High Capacity Memory Card</li> <li>• xD-Picture Card</li> <li>• xD-Picture Card Type H</li> <li>• xD-Picture Card Type M</li> </ul>
(2) USB ports (2) (select models only)	Connect optional USB devices.
(3) Optical drive	Reads an optical disc.

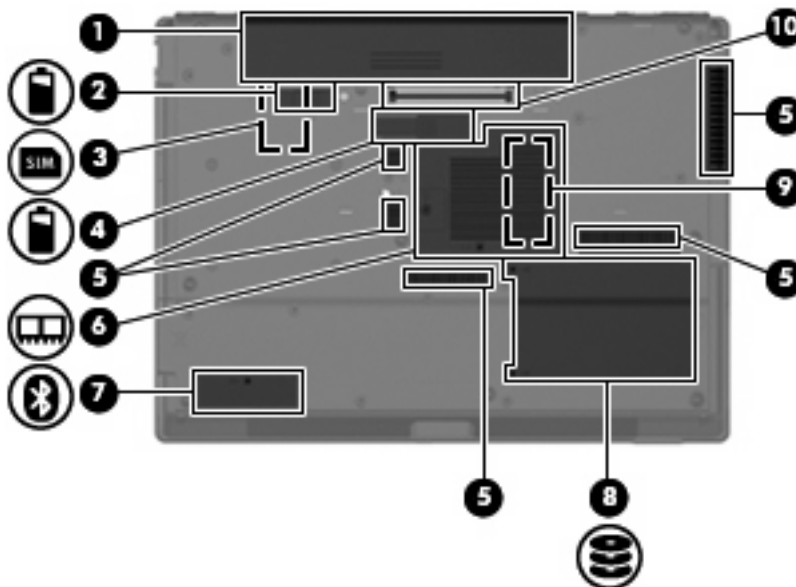
Component	Description
(4) RJ-11 (modem) jack	Connects a modem cable.
(5) Security cable slot	Attaches an optional security cable to the computer. <b>NOTE:</b> The security cable is designed to act as a deterrent, but it may not prevent the computer from being mishandled or stolen.

## Left-side components



Component	Description
(1) Power connector	Connects an AC adapter.
(2) Vent	Enables airflow to cool internal components. <b>NOTE:</b> The computer fan starts up automatically to cool internal components and prevent overheating. It is normal for the internal fan to cycle on and off during routine operation.
(3) USB ports (2)	Connect optional USB devices.
(4) 1394 port (select models only)	Connects an optional IEEE 1394 or 1394a device, such as a camcorder.
(5) ExpressCard slot	Supports optional ExpressCards.

## Bottom components



Component	Description
(1) Battery bay	Holds the battery.
(2) Battery release latch	Releases the battery from the battery bay.


Component	Description
(3) SIM slot (select models only)	Contains a wireless subscriber identity module (SIM). The SIM slot is located inside the battery bay.
(4) Accessory battery connector	Connects an optional accessory battery.
(5) Vents (5)	Enable airflow to cool internal components.  <b>NOTE:</b> The computer fan starts up automatically to cool internal components and prevent overheating. It is normal for the internal fan to cycle on and off during routine operation.
(6) Expansion memory module compartment	Contains the expansion memory module slot and the WLAN module.  <b>CAUTION:</b> To prevent an unresponsive system and the display of a warning message, replace the device with only a WLAN module authorized for use in the computer by the governmental agency that regulates wireless devices in your country. If you replace the device and then receive a warning message, remove the device to restore computer functionality, and then contact technical support through Help and Support.
(7) Bluetooth compartment (select models only)	Contains a Bluetooth device.
(8) Hard drive bay	Holds the hard drive.
(9) Primary memory module	Located under the keyboard and accessed from the top of the computer.
(10) Docking connector (select models only)	Connects an optional docking device.

## Wireless antennae (select models only)

On select computer models, at least 2 antennae send and receive signals from one or more wireless devices. These antennae are not visible from the outside of the computer.



---

 **NOTE:** For optimal transmission, keep the areas immediately around the antennae free from obstructions.

---

To see wireless regulatory notices, refer to the section of the *Regulatory, Safety and Environmental Notices* that applies to your country or region. These notices are located in Help and Support.

## Additional hardware components



Component	Description
(1) Power cord*	Connects an AC adapter to an AC outlet.
(2) Battery*	Powers the computer when the computer is not plugged into external power.
(3) AC adapter	Converts AC power to DC power.
(4) Modem cable (select models only)*	Connects the internal modem to an RJ-11 telephone jack or to a country-specific modem adapter.
(5) Country- or region-specific modem cable adapter (select models only)*	Adapts the modem cable to a non-RJ-11 telephone jack.

\*Modem cables, modem cable adapters, batteries, and power cords vary in appearance by country or region.

# 3 Labels

The labels affixed to the computer provide information you may need when you troubleshoot system problems or travel internationally with the computer:

- Service tag—Provides important information including the following:



- Product name (1). This is the product name affixed to the front of your notebook.
- Serial number (s/n) (2). This is an alphanumeric number that is unique to each product.
- Part number/Product number (p/n) (3). This number provides specific information about the product's hardware components. The part number helps a service technician to determine what components and parts are needed.
- Model description (4). This is the number you need to locate documents, drivers, and support for your notebook.
- Warranty period (5). Describes the warranty period for this computer.

Have this information available when you contact technical support. The service tag label is affixed to the bottom of the computer.

- Microsoft® Certificate of Authenticity—Contains the Windows® Product Key. You may need the Product Key to update or troubleshoot the operating system. This certificate is affixed to the bottom of the computer.
- Regulatory label—Provides regulatory information about the computer. The regulatory label is affixed to the bottom of the computer.
- Modem approval label—Provides regulatory information about the modem and lists the agency approval markings required by some of the countries in which the modem has been approved for use. You may need this information when traveling internationally. The modem approval label is affixed inside the memory module compartment.
- Wireless certification label(s) (select models only)—Provide information about optional wireless devices and the approval markings of some of the countries in which the devices have been approved for use. An optional device may be a wireless local area network (WLAN) device, an HP Broadband Wireless Module, or an optional Bluetooth® device. If your computer model includes one or more wireless devices, one or more certification labels are included with your computer. You may need this information when traveling internationally. Wireless certification labels are affixed inside the memory module compartment.
- SIM (subscriber identity module) label (select models only)—Provides the ICCID (Integrated Circuit Card Identifier) of your SIM. This label is located inside the battery bay.
- HP Broadband Wireless Module serial number label (select models only)—Provides the serial number of your HP Broadband Wireless Module. This label is located inside the battery bay.

---

# Index

## Symbols/Numerics

1394 port, identifying 13

## A

AC adapter, identifying 16  
accessory battery connector,  
identifying 14  
antennae 14  
applications key, Windows 8  
audio-in (microphone) jack,  
identifying 9  
audio-out (headphone) jack,  
identifying 9

## B

battery bay 13, 17  
battery light, identifying 4, 9  
battery release latch,  
identifying 13  
battery, identifying 16  
bays  
battery 13, 17  
hard drive 14  
Bluetooth compartment,  
identifying 14  
Bluetooth label 17  
buttons  
info 6  
power 6  
presentation 7  
TouchPad 3  
volume mute 7  
wireless 7

## C

camera light, identifying 2  
camera, identifying 2  
caps lock light, identifying 4  
Certificate of Authenticity label 17  
compartment, expansion memory  
module 14  
components  
additional hardware 16  
bottom 13

display 2  
front 8  
left-side 13  
rear 9  
right-side 10  
top 3  
connector, power 13  
cord, power 16

## D

display release latch,  
identifying 9  
docking connector, identifying 14  
drive light, identifying 4, 9

## E

earbuds 9  
esc key, identifying 8  
ExpressCard slot, identifying 13  
external monitor port,  
identifying 10

## F

fingerprint reader, identifying 3,  
6  
fn key, identifying 8  
function keys, identifying 8

## H

hard drive bay, identifying 14  
headphone (audio-out) jack 9  
headphones 9  
HP Broadband Wireless Module  
label 17

## I

IEEE 1394 port, identifying 13  
info button, identifying 6  
internal microphones,  
identifying 2

## J

jacks  
audio-in (microphone) 9  
audio-out (headphone) 9

RJ-11 (modem) 10, 12  
RJ-45 (network) 10  
S-Video-out 10

## K

keypad keys, identifying 8  
keys  
esc 8  
fn 8  
function 8  
keypad 8  
Windows applications 8  
Windows logo 8

## L

labels  
Bluetooth 17  
HP Broadband Wireless  
Module 17  
Microsoft Certificate of  
Authenticity 17  
modem approval 17  
regulatory 17  
service tag 17  
SIM 17  
wireless certification 17  
WLAN 17

latch, battery release 13

## lights

battery 4, 9  
caps lock 4  
drive 4, 9  
mute 5  
num lock 4  
power 4, 9  
volume down 5  
volume mute 5  
volume up 5  
webcam 2  
wireless 4, 9

## M

Media Card Reader,  
identifying 11



memory module compartment,  
identifying 14  
microphone (audio-in) jack 9  
microphones, internal,  
identifying 2  
Microsoft Certificate of Authenticity  
label 17  
modem approval label 17  
monitor port, external 10  
mute button, identifying 7  
mute light, identifying 5

## N

num lock light, identifying 4

## O

operating system  
Microsoft Certificate of  
Authenticity label 17  
Product Key 17  
optical drive, identifying 11

## P

ports  
1394 13  
external monitor 10  
serial 11  
USB 11, 13  
power button, identifying 6  
power connector, identifying 13  
power cord, identifying 16  
power lights, identifying 4, 9  
presentation button, identifying 7  
Product Key 17  
product name and number,  
computer 17

## R

regulatory information  
modem approval label 17  
regulatory label 17  
wireless certification labels 17  
release latch, battery 13  
RJ-11 (modem) jack,  
identifying 10, 12  
RJ-45 (network) jack,  
identifying 10

## S

S-Video-out jack, identifying 10  
scroll zone, TouchPad 3

security cable slot, identifying 10,  
12  
serial number, computer 17  
serial port, identifying 11  
service tag 17  
SIM label 17  
SIM slot, identifying 14  
slots  
expansion memory module 14  
ExpressCard 13  
Media Card Reader 11  
security cable 12  
speakers, identifying 9

## T

TouchPad  
buttons 3  
identifying 3  
scroll zone 3  
traveling with the computer  
modem approval label 17  
wireless certification labels 17

## U

USB ports, identifying 11, 13

## V

vents, identifying 13, 14  
volume down light, identifying 5  
volume mute button, identifying 7  
volume mute light, identifying 5  
volume scroll zone, identifying 7  
volume up light, identifying 5

## W

webcam light, identifying 2  
webcam, identifying 2  
Windows applications key,  
identifying 8  
Windows logo key, identifying 8  
wireless antennae 14  
wireless button, identifying 7  
wireless certification label 17  
wireless light, identifying 4, 9  
WLAN device 17  
WLAN label 17  
WLAN module compartment,  
identifying 14

