

# **HP G70 Notebook PC**

## **Compaq Presario CQ70 Notebook PC**

### Maintenance and Service Guide

Document Part Number: 485462-001

September 2008

This guide is a troubleshooting reference used for maintaining and servicing the computer. It provides comprehensive information on identifying computer features, components, and spare parts; and performing computer disassembly procedures.

© Copyright 2008 Hewlett-Packard Development Company, L.P.

Bluetooth is a trademark owned by its proprietor and used by Hewlett-Packard Company under license. Intel, Core, Celeron, and Pentium are trademarks of Intel Corporation in the U.S. and other countries. Microsoft, Windows, and Windows Vista are U.S. registered trademarks of Microsoft Corporation. SD Logo is a trademark of its proprietor.

The information contained herein is subject to change without notice. The only warranties for HP products and services are set forth in the express warranty statements accompanying such products and services. Nothing herein should be construed as constituting an additional warranty. HP shall not be liable for technical or editorial errors or omissions contained herein.

First Edition: September 2008

Document Part Number: 485462-001

## Safety warning notice



---

**WARNING:** To reduce the possibility of heat-related injuries or of overheating the computer, do not place the computer directly on your lap or obstruct the computer air vents. Use the computer only on a hard, flat surface. Do not allow another hard surface, such as an adjoining optional printer, or a soft surface, such as pillows or rugs or clothing, to block airflow. Also, do not allow the AC adapter to contact the skin or a soft surface, such as pillows or rugs or clothing, during operation. The computer and the AC adapter comply with the user-accessible surface temperature limits defined by the International Standard for Safety of Information Technology Equipment (IEC 60950).

---

## 1 Product description

## 2 External component identification

Top components . . . . .	2-1
Display components . . . . .	2-1
Lights . . . . .	2-2
Buttons and speakers . . . . .	2-3
Keys . . . . .	2-4
TouchPad . . . . .	2-5
Front components . . . . .	2-6
Rear components . . . . .	2-6
Left-side components . . . . .	2-7
Right-side components . . . . .	2-8
Bottom components . . . . .	2-9

## 3 Illustrated parts catalog

Serial number location . . . . .	3-1
Computer major components . . . . .	3-2
Display assembly components . . . . .	3-9
Plastics Kit . . . . .	3-10
Mass storage devices . . . . .	3-11
Miscellaneous parts . . . . .	3-12
Sequential part number listing . . . . .	3-13

## 4 Removal and replacement procedures

Preliminary replacement requirements . . . . .	4-1
Tools required . . . . .	4-1
Service considerations . . . . .	4-1
Grounding guidelines . . . . .	4-2
Unknown user password . . . . .	4-4
Component replacement procedures . . . . .	4-5
Serial number . . . . .	4-5
Computer feet . . . . .	4-6
Battery . . . . .	4-6
Optical drive . . . . .	4-7
Hard drive . . . . .	4-9
RTC battery . . . . .	4-11
Memory module . . . . .	4-12
WLAN module . . . . .	4-13
Keyboard . . . . .	4-15
Keyboard cover . . . . .	4-17
Power button board . . . . .	4-19

Display assembly . . . . .	4-20
Top cover . . . . .	4-26
TouchPad on/off button board and board bracket. . . . .	4-28
Audio board. . . . .	4-31
Bluetooth module . . . . .	4-32
Speakers . . . . .	4-33
USB board. . . . .	4-34
System board. . . . .	4-35
Modem module cable . . . . .	4-38
Fan/heatsink assembly . . . . .	4-39
Processor . . . . .	4-42
Power connector cable . . . . .	4-44
<b>5 Setup Utility</b>	
Starting the Setup Utility . . . . .	5-1
Changing the language of the Setup Utility . . . . .	5-1
Navigating and selecting in the Setup Utility . . . . .	5-2
Displaying system information . . . . .	5-2
Restoring default settings in the Setup Utility . . . . .	5-2
Exiting the Setup Utility. . . . .	5-3
Setup Utility menus . . . . .	5-3
Main menu . . . . .	5-3
Security menu . . . . .	5-3
System Configuration menu . . . . .	5-4
Diagnostics menu . . . . .	5-4
<b>6 Specifications</b>	
Computer specifications. . . . .	6-1
17-inch WXGA display specifications. . . . .	6-2
Hard drive specifications . . . . .	6-3
DVD±RW and CD-RW SuperMulti Double-Layer Combo Drive specifications. . . . .	6-4
DVD±RW and CD-RW SuperMulti Double-Layer Combo Drive with LightScribe specifications. . . . .	6-5
Blu-ray ROM DVD±RW SuperMulti DL Drive specifications . . . . .	6-5
System DMA specifications. . . . .	6-6
System interrupt specifications . . . . .	6-6
System I/O address specifications . . . . .	6-7
System memory map specifications. . . . .	6-8
<b>7 Screw listing</b>	
Phillips PM2.5x5.0 screw . . . . .	7-1
Phillips PM2.0x6.0 screw . . . . .	7-4
Phillips PM2.5x6.0 captive screw . . . . .	7-5
Phillips PM2.5x6.0 screw . . . . .	7-6
Phillips PM2.5x9.0 screw . . . . .	7-7
Phillips PM2.5x7.0 screw . . . . .	7-9
Phillips PM2.0x4.0 screw . . . . .	7-11
Phillips PM2.0x3.0 screw . . . . .	7-14
Phillips PM3.0x4.0 screw . . . . .	7-15
Phillips PM2.0x10.0 captive screw . . . . .	7-16

**8 Backup and recovery**

Creating recovery discs . . . . . 8-1  
 Backing up your information . . . . . 8-2  
     When to back up . . . . . 8-2  
     Backup suggestions. . . . . 8-2  
     Using system restore points . . . . . 8-3  
 Performing a recovery . . . . . 8-4  
     Recovering from the recovery discs . . . . . 8-4  
     Recovering from the dedicated recovery partition (select models only) . . . . . 8-4

**9 Connector pin assignments**

Audio-out (headphone) . . . . . 9-1  
 Audio-in (microphone). . . . . 9-1  
 External monitor. . . . . 9-2  
 HDMI. . . . . 9-3  
 RJ-11 (modem). . . . . 9-4  
 RJ-45 (network) . . . . . 9-4  
 Universal Serial Bus. . . . . 9-5

**10 Power cord set requirements**

Requirements for all countries and regions . . . . . 10-1  
 Requirements for specific countries and regions . . . . . 10-2

**11 Recycling**

Battery . . . . . 11-1  
 Display . . . . . 11-1

**Index**

## Product description

Category	Description	Presario CQ70 UMA	Presario CQ70 Discrete	HP G70 UMA	HP G70 Discrete
<b>Product name</b>	<b>HP G70 Notebook PC</b>			X	X
	<b>Compaq Presario CQ70 Notebook PC</b>	X	X		
<b>Processors</b>	<b>Intel® Core™2 Duo processors</b> (6-MB L2 cache, 1066-MHz front side bus (FSB))				
	T9400 2.53-GHz processor	X	X	X	X
	<b>Intel Core2 Duo processors</b> (3-MB L2 cache, 1066-MHz FSB)				
	■ P8600 2.4-GHz processor	X	X	X	X
	■ P8400 2.26-GHz processor	X	X	X	X
	■ P7350 2.0-GHz processor	X	X	X	X
	<b>Intel Core2 Duo processors</b> (2-MB L2 cache, 800-MHz FSB)				
	■ T5900 2.2-GHz processor	X	X	X	X
	■ T5800 2.0-GHz processor	X	X	X	X
	<b>Intel Pentium® Dual-Core processors</b> (1-MB L2 cache, 667-MHz FSB)				
	■ T3400 2.16-GHz processor	X	X	X	X
	■ T3200 2.0-GHz processor	X	X	X	X
	<b>Intel Celeron®-M processors</b> (1-MB L2 cache, 667-MHz FSB)				
	■ 585 2.16-GHz processor	X		X	
	■ 575 2.0-GHz processor	X		X	
	<b>Intel Celeron-T processors</b> (1-MB L2 cache, 667-MHz FSB)				
	■ T1700 1.86-GHz processor	X	X	X	X
	■ T1600 1.66-GHz processor	X	X	X	X
<b>Chipset</b>	Intel GM45	X		X	
	Intel GL40	X		X	
	Intel PM45		X		X
	Southbridge: ICH9m		X	X	X

(Continued)

Category	Description	Presario CQ70 UMA	Presario CQ70 Discrete	HP G70 UMA	HP G70 Discrete
<b>Graphics</b>	Intel Graphics Media Accelerator 4500MHD (Shared)	X		X	
	UMA (integrated) with shared video memory (dynamically allocated)	X		X	
	■ up to 96 MB = 512-MB system memory	X		X	
	■ up to 270 MB = 1024-MB system memory	X		X	
	■ up to 781 MB = 2048-MB system memory	X		X	
	■ up to 1294 MB = 3-GB system memory	X		X	
	NVIDIA GeForce 9200M GE with 256 MB of dedicated video memory		X		X
<b>Panel</b>	17-inch WXGA BrightView display panel (1440 x 900)	X	X	X	X
	16:10 Wide Aspect Ratio	X	X	X	X
<b>Memory</b>	2 customer-accessible/upgradable memory module slots	X	X	X	X
	Supports dual-channel memory	X	X	X	X
	Supports up to 4 GB of system memory	X	X	X	X
	Supports PC2-6400, 800-MHz, DDR2 and PC2-5300, 667-MHz, DDR2	X	X	X	X
	Supports the following configurations:				
	■ 3072-MB total system memory (2048 + 1024)	X	X	X	X
	■ 2048-MB total system memory (2048 × 1, 1024 × 2, dual-channel)	X	X	X	X
	■ 1536-MB total system memory (1024 + 512)	X	X	X	X
	■ 1024-MB total system memory (1024 × 1, 512 × 2, dual-channel)	X	X	X	X
■ 512-MB total system memory (512 × 1, only on computer models equipped with FreeDOS and Windows Vista® Basic)	X	X	X	X	
<b>Hard drives</b>	Supports all 9.5-mm (2.5-inch) SATA hard drives				
	Customer accessible				
	Serial ATA				
	Single hard drive configurations:				
	120-GB, 5400-rpm	X	X	X	X
	160-GB, 5400-rpm	X	X	X	X
	200-GB, 5400-rpm			X	X
	250-GB, 5400-rpm	X	X	X	X
320-GB, 5400-rpm	X	X	X	X	

(Continued)



Category	Description	Presario CQ70 UMA	Presario CQ70 Discrete	HP G70 UMA	HP G70 Discrete
<b>Optical drives</b>	12.7mm tray load - SATA - Fixed	X	X	X	X
	DVD±RW and CD-RW SuperMulti Double-Layer Combo Drive	X	X	X	X
	DVD±RW and CD-RW SuperMulti Double-Layer Combo Drive with LightScribe	X	X	X	X
	Blu-ray ROM DVD±RW SuperMulti DL Drive	X	X	X	X
<b>Webcam</b>	VGA camera, 640 x 480 resolution, 22.5 frames per second, fixed angle with activity light	X	X	X	X
<b>Microphone</b>	Integrated stereo microphone	X	X	X	X
<b>Audio</b>	High-definition audio supports Microsoft® premium requirements	X	X	X	X
<b>Modem</b>	56K V.92 1.5-inch data/fax modem	X	X	X	X
	Computer models not equipped with a modem will have a cover on the RJ-11 jack opening	X	X	X	X
	Supports all worldwide certification requirements	X	X	X	X
<b>Ethernet</b>	Integrated 10/100 network interface card (NIC)	X	X	X	X
<b>Wireless</b>	<b>Integrated WLAN options by way of wireless module:</b>	X	X	X	X
	2 wireless antennae built into display assembly	X	X	X	X
	Support for no-WLAN option	X	X	X	X
	Support for the following WLAN formats:				
	■ Atheros AR9280 802.11a/b/g/n	X	X	X	X
	■ Atheros AR2425 802.11b/g	X	X	X	X
	■ Broadcom BCM4312 802.11b/g	X	X	X	X
■ Intel Wi-Fi Link 5100 802.11 a/b/g	X	X	X	X	
■ Intel Wi-Fi Link 5100 802.11 a/b/g/n	X	X	X	X	
<b>External media card</b>	Digital Media Slot supporting SD, MMC, MS, MSPro, xD cards. With adapter (not included), supports mini versions of SD, MMC, MS Duo.	X	X	X	X
<b>Ports</b>	Audio-in (stereo microphone)	X	X	X	X
	Audio-out (stereo headphone)	X	X	X	X
	High-definition multimedia interface (HDMI) version 1.3 supporting 1080p with high-bandwidth digital content protection (HDCP) key	X	X	X	X
	RJ-11 (modem)	X	X	X	X
	RJ-45 (Ethernet, includes link and activity lights)	X	X	X	X
	USB (3)	X	X	X	X
	VGA (Dsub 15-pin) supporting 1920 × 1200 external resolution at 75 Hz, 1600 × 1200 external resolution at 75 Hz (hot plug/unplug with autodetect)	X	X	X	X
	Multi-pin AC power	X	X	X	X
<b>Docking</b>	None				

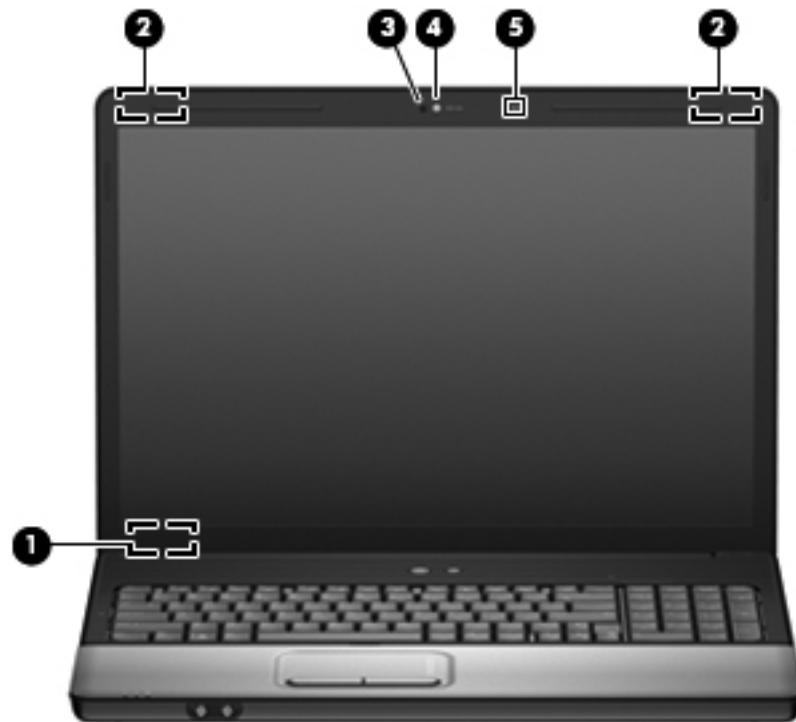
(Continued)


Category	Description	Presario CQ70 UMA	Presario CQ70 Discrete	HP G70 UMA	HP G70 Discrete
<b>Keyboard/TouchPad</b>	Full-size keyboard (17-inch with numerical key pad)	X	X	X	X
	TouchPad with 2 TouchPad buttons	X	X	X	X
	Supports 2-way scroll with legend	X	X	X	X
	Taps enabled as default	X	X	X	X
<b>Power requirements</b>	65-W AC adapter with localized cable plug support	X		X	
	90-W AC adapter with localized cable plug support		X		X
	6-cell, 2.20-Ah, 47-Whr battery	X	X	X	X
<b>Security</b>	Security cable slot	X	X	X	X
<b>Operating system</b>	<b>Preinstalled:</b>				
	Windows Vista Business 32	X	X	X	X
	Windows Vista Premium 32	X	X	X	X
	Windows Vista Home Basic 32	X	X	X	X
	FreeDOS	X	X	X	X
	RedFlag LINUX	X	X	X	X
<b>Serviceability</b>	<b>End-user replaceable parts:</b>				
	AC adapter	X	X	X	X
	Battery (system)	X	X	X	X
	Hard drive	X	X	X	X
	Memory module	X	X	X	X
	Optical drive	X	X	X	X
	WLAN module	X	X	X	X

## External component identification

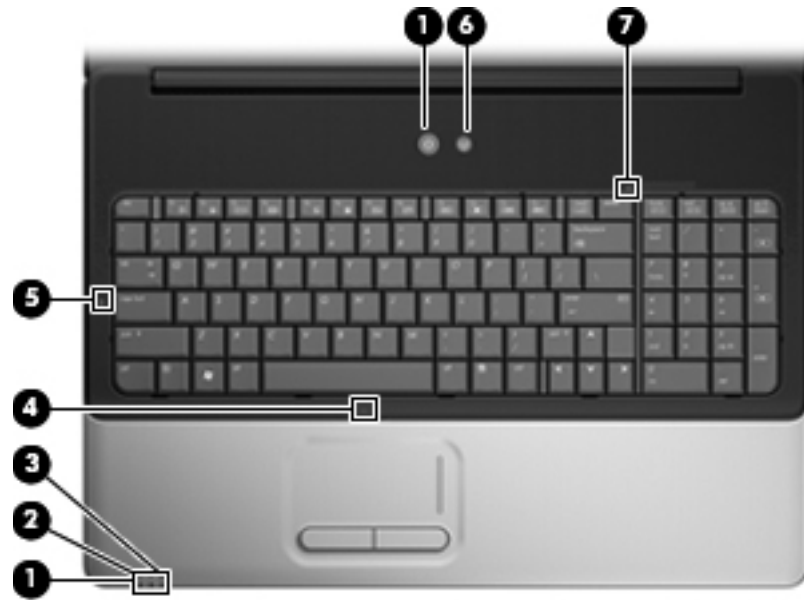
### Top components

### Display components



Item	Component	Description
❶	Internal display switch	Turns off the display and initiates Sleep if the display is closed while the power is on.
❷	Wireless antennae (2) (select models only)	Send and receive signals from one or more wireless devices.  The antennae are not visible from the outside of the computer. For optimal transmission, keep the areas immediately around the antennae free from obstructions. To see wireless regulatory notices, refer to the section of the <i>Regulatory, Safety and Environmental Notices</i> that applies to your country or region. These notices are located in Help and Support.
❸	Integrated webcam light (select models only)	On: The integrated webcam is in use.
❹	Integrated webcam (select models only)	Records audio and video and captures still photographs.
❺	Internal microphone	Records sound.

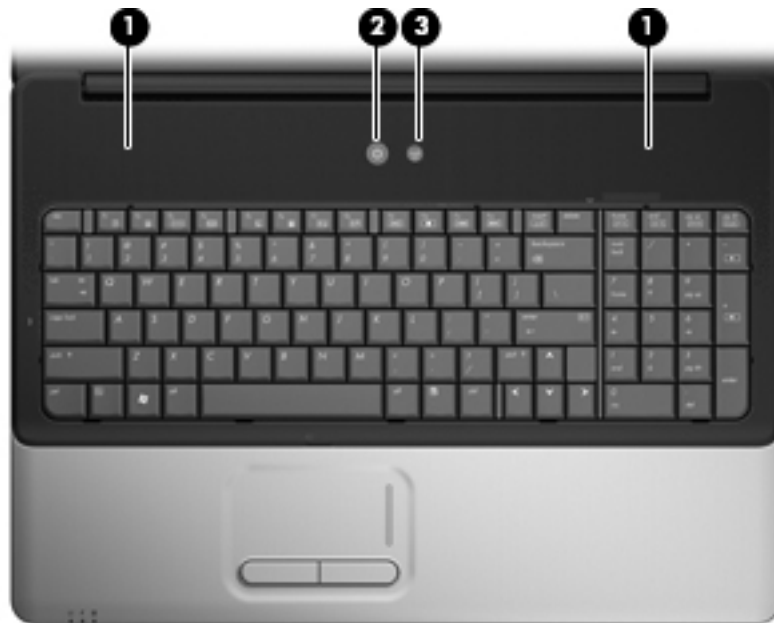
## Lights




Item	Component	Description
❶	Power lights* (2)	<ul style="list-style-type: none"> <li>■ On: The computer is on.</li> <li>■ Blinking: The computer is in the Sleep state.</li> <li>■ Off: The computer is off or in Hibernation.</li> </ul>
❷	Battery light	<ul style="list-style-type: none"> <li>■ On: A battery is charging.</li> <li>■ Blinking: A battery that is the only available power source has reached a low battery level. When the battery reaches a critical battery level, the battery light begins blinking rapidly.</li> <li>■ Off: If the computer is plugged into an external power source, the light is turned off when all batteries in the computer are fully charged. If the computer is not plugged into an external power source, the light stays off until the battery reaches a low battery level.</li> </ul>
❸	Drive light	Blinking: The hard drive or optical drive is being accessed.
❹	TouchPad light	White: TouchPad is enabled.
❺	Caps lock light	On: Caps lock is on.
❻	Wireless light	<ul style="list-style-type: none"> <li>■ Blue: An integrated wireless device, such as a wireless local area network (WLAN) device and/or a Bluetooth® device, is turned on.</li> <li>■ Amber: All wireless devices are turned off.</li> </ul>
❼	Num lock light	On: Num lock is on or the integrated numeric keypad is enabled.

\*The 2 power lights display the same information. The light on the power button is visible only when the computer is open. The power light on the front of the computer is visible whether the computer is open or closed.

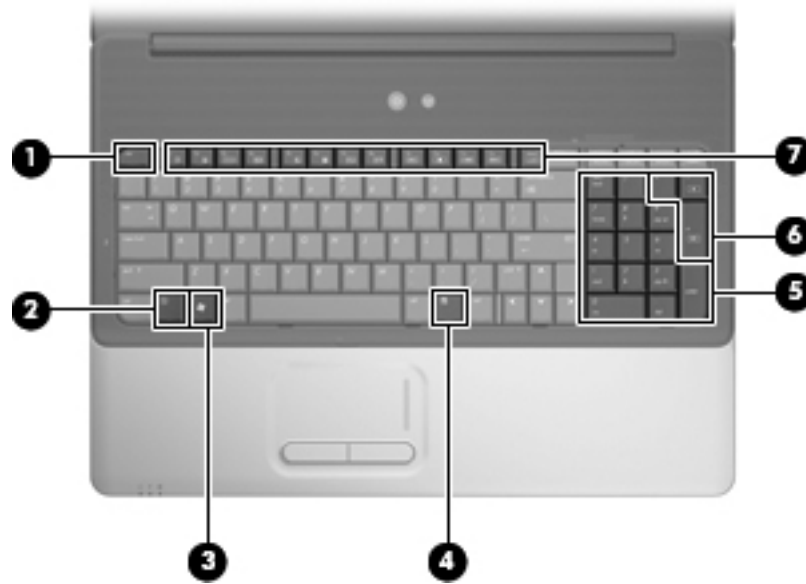
## Buttons and speakers



Item	Component	Description
❶	Speakers (2)	Produce sound.
❷	Power button*	<ul style="list-style-type: none"> <li>■ When the computer is off, press the button to turn on the computer.</li> <li>■ When the computer is on, press the button briefly to initiate Sleep.</li> <li>■ When the computer is in the Sleep state, press the button briefly to exit Sleep.</li> <li>■ When the computer is in Hibernation, press the button briefly to exit Hibernation.</li> </ul> <p>If the computer has stopped responding and Windows® shutdown procedures are ineffective, press and hold the power button for at least 5 seconds to turn off the computer.</p> <p>To learn more about your power settings, select <b>Start &gt; Control Panel &gt; System and Maintenance &gt; Power Options</b>.</p>
❸	Wireless button	<p>Turns the wireless feature on or off, but does not create a wireless connection.</p> <p> A wireless network must be set up in order to establish a wireless connection.</p>

\*This table describes factory settings. For information about changing factory settings, refer to the user guides located in Help and Support.

## Keys



Item	Component	Description
❶	esc key	Displays system information about your computer when pressed in combination with the <b>fn</b> key.
❷	fn key	Executes frequently used system functions when pressed in combination with a function key or the <b>esc</b> key.
❸	Windows logo key	Displays the Windows Start menu.
❹	Windows applications key	Displays a shortcut menu for items beneath the pointer.
❺	Integrated numeric keypad	Can be used like the keys on an external numeric keypad.
❻	Volume keys	Adjust system volume when pressed in combination with the <b>fn</b> key.
❼	Function keys	Execute frequently used system functions when pressed in combination with the <b>fn</b> key.

## TouchPad



Item	Component	Function
①	TouchPad light	<ul style="list-style-type: none"> <li>■ White: TouchPad is enabled.</li> <li>■ Amber: TouchPad is disabled.</li> </ul>
②	TouchPad*	Moves the pointer and selects or activates items on the screen.
③	Left TouchPad button*	Functions like the left button on an external mouse.
④	TouchPad on/off button	Enables/disables the TouchPad.
⑤	TouchPad vertical scroll zone	Scrolls up or down.
⑥	Right TouchPad button*	Functions like the right button on an external mouse.

\*This table describes factory settings. To view and change TouchPad preferences, select **Start > Control Panel > Hardware and Sound > Mouse**.


## Front components



Item	Component	Description
❶	Power light	<ul style="list-style-type: none"> <li>■ On: The computer is on.</li> <li>■ Blinking: The computer is in the Sleep state.</li> <li>■ Off: The computer is off or in Hibernation.</li> </ul>
❷	Battery light	<ul style="list-style-type: none"> <li>■ On: A battery is charging.</li> <li>■ Blinking: A battery that is the only available power source has reached a low battery level. When the battery reaches a critical battery level, the battery light begins blinking rapidly.</li> <li>■ Off: If the computer is plugged into an external power source, the light is turned off when all batteries in the computer are fully charged. If the computer is not plugged into an external power source, the light stays off until the battery reaches a low battery level.</li> </ul>
❸	Drive light	Blinking: The hard drive or optical drive is being accessed.
❹	Audio-in (microphone) jack	Connects an optional computer headset microphone, stereo array microphone, or monaural microphone.
❺	Audio-out (headphone) jack	Produces sound when connected to optional powered stereo speakers, headphones, ear buds, a headset, or television audio.

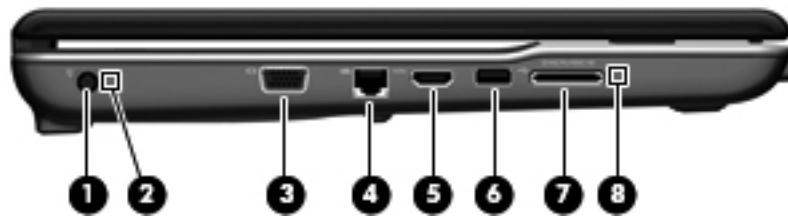
## Rear components



Component	Function
Vents (2)	<p>Enable airflow to cool internal components.</p> <p> The computer fan starts up automatically to cool internal components and prevent overheating. It is normal for the internal fan to cycle on and off during routine operation.</p>

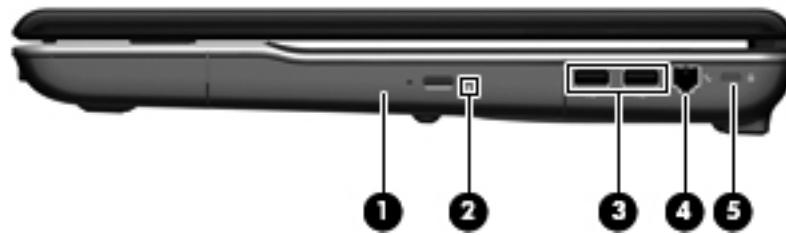



## Left-side components



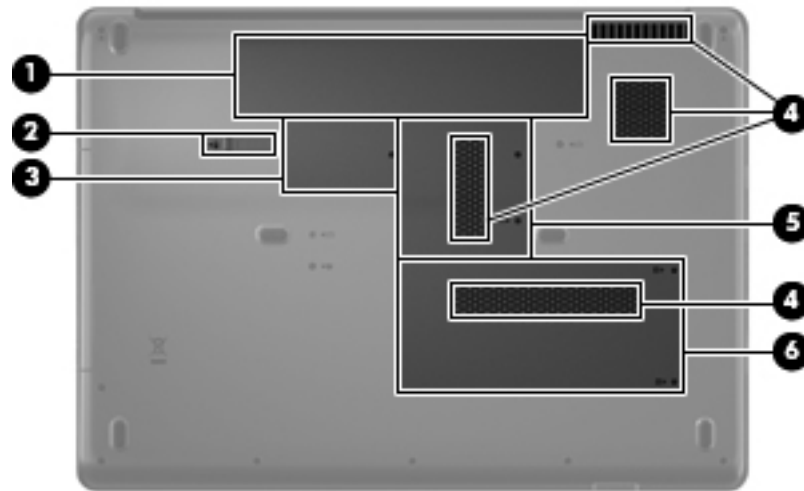
Item	Component	Function
❶	Power connector	Connects an AC adapter.
❷	AC adapter light	<ul style="list-style-type: none"> <li>■ On: The computer is connected to external power.</li> <li>■ Off: The computer is not connected to external power.</li> </ul>
❸	External monitor port	Connects an external VGA monitor or projector.
❹	RJ-45 (network) jack	Connects a network cable.
❺	HDMI port (select models only)	Connects an optional video or audio device, such as a high-definition television, or any compatible digital or audio component.
❻	USB port	Connects an optional USB device.
❼	Digital Media Slot (select models only)	Supports the following optional digital card formats: <ul style="list-style-type: none"> <li>■ Memory Stick (MS)</li> <li>■ Memory Stick Pro (MSP)</li> <li>■ MultiMediaCard (MMC)</li> <li>■ Secure Digital (SD) Memory Card</li> <li>■ xD-Picture Card (XD)</li> <li>■ xD-Picture Card (XD) Type H</li> <li>■ xD-Picture Card (XD) Type M</li> </ul>
❽	Digital Media Slot light (select models only)	On: The Digital Media Slot is in use.

## Right-side components



Item	Component	Function
❶	Optical drive	Reads optical discs and, on select models, also writes to optical discs.
❷	Optical drive light	Blinking: The optical drive is being accessed.
❸	USB ports (2)	Connect optional USB devices.
❹	RJ-11 (modem) jack (select models only)	Connects a modem cable.
❺	Security cable slot	Attaches an optional security cable to the computer.  The security cable is designed to act as a deterrent, but it may not prevent the computer from being mishandled or stolen.

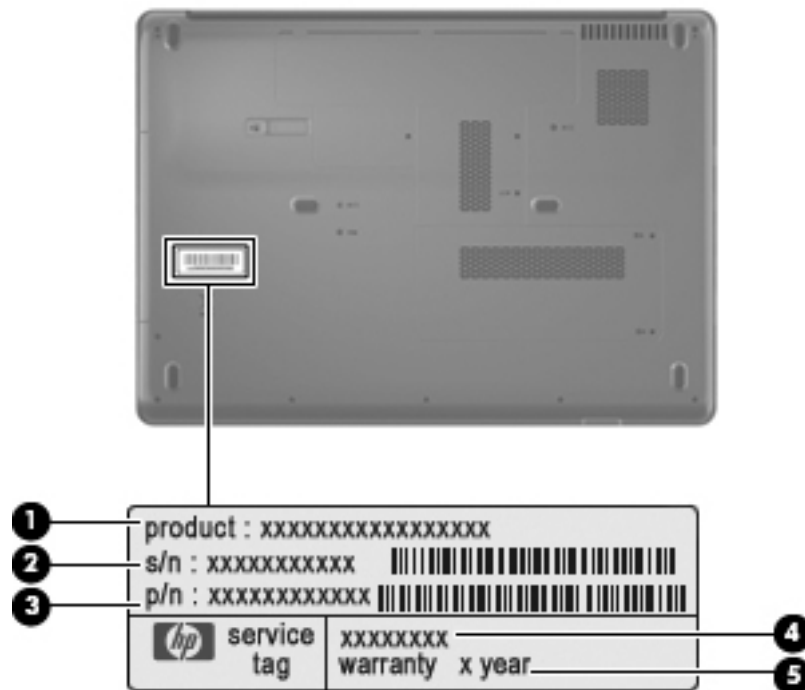
## Bottom components



Item	Component	Function
❶	Battery bay	Holds the battery.
❷	Battery release latch	Releases the battery from the battery bay.
❸	WLAN module compartment	<p>Holds the WLAN module.</p> <p>⚠ To prevent an unresponsive system, replace the wireless module with only a wireless module authorized for use in the computer by the governmental agency that regulates wireless devices in your country or region. If you replace the module and then receive a warning message, remove the module to restore computer functionality, and then contact technical support through Help and Support.</p>
❹	Vents (4)	<p>Enable airflow to cool internal components.</p> <p>✎ The computer fan starts up automatically to cool internal components and prevent overheating. It is normal for the internal fan to cycle on and off during routine operation.</p>
❺	Memory module compartment	Contains the memory module slots.
❻	Hard drive bay	Holds the hard drive.

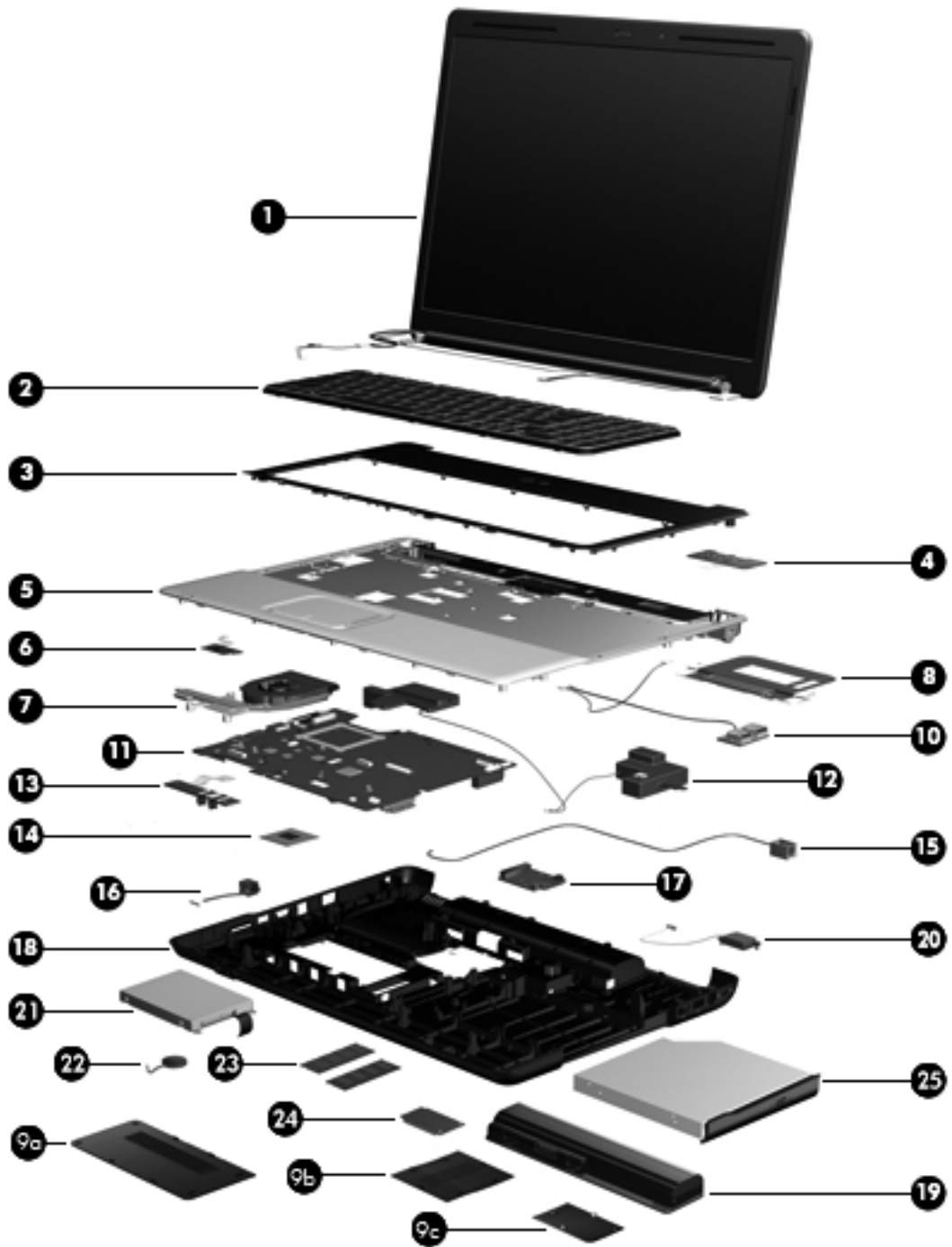
## Serial number location

When ordering parts or requesting information, provide the computer serial number and model number located on the bottom of the computer.



Item	Component	Description
1	Product name	This is the product name affixed to the front of your computer.
2	Serial number (s/n)	This is an alphanumeric identifier that is unique to each product.
3	Part number/ product number (p/n)	This number provides specific information about the product's hardware components. The part number helps a service technician to determine what components and parts are needed.
4	Model description	This is the number you use to locate documents, drivers, and support for your computer.
5	Warranty period	This number describes the duration (in years) of the warranty period for this computer.

# Computer major components



Item	Description	Spare Part Number
(1)	<b>17-inch WXGA BrightView display assemblies</b> (includes webcam module and cable, 2 WLAN antenna transceivers and cables, microphone and cable, and logo)	
	For use with HP G70 computer models	485418-001
	For use with Presario CQ70 computer models	485420-001
(2)	<b>Keyboards</b> (include keyboard cable)	
	For use in Belgium	485424-181
	For use in Canada	485424-121
	For use in the Czech Republic	485424-221
	For use in France	485424-051
	For use in Denmark, Finland, and Norway	485424-DH1
	For use in Germany	485424-041
	For use in Greece	485424-151
	For use in Israel	485424-BB1
	For use in Italy	485424--061
	For use in Latin America	485424-161
	For international use	485424-B31
	For use in Portugal	485424-131
	For use in Russia	485424-251
	For use in Saudi Arabia	485424-171
	For use in South Korea	485424-AD1
	For use in Spain	485424-071
	For use in Switzerland	485424-111
	For use in Thailand	485424-281
	For use in Turkey	485424-141
	For use in the United Kingdom	485424-031
	For use in the United States	485424-001
(3)	<b>Keyboard cover</b>	489115-001
(4)	<b>Power button board</b> (includes power button board cable)	489116-001
(5)	<b>Top cover</b> (includes TouchPad board)	489117-001
(6)	<b>TouchPad on/off button board</b> (includes cables)	489118-001
(7)	<b>Fan/heatsink assembly</b> (includes replacement thermal material)	489126-001
(8)	<b>TouchPad board bracket</b>	489119-001
	<b>Plastics Kit</b> (see Plastics Kit on page 3-9 for more Plastics Kit spare part information)	489112-001
(9a)	Hard drive cover	
(9b)	Memory module compartment cover	
(9c)	WLAN module compartment cover	
(10)	<b>USB board</b> (does not include USB board cable)	486633-001
	<b>USB board cable</b> (not illustrated, includes numLock LED)	489123-001

(Continued)

Item	Description	Spare Part Number
(11)	<b>System boards</b>	
	UMA system board, GM45 (includes built-in modem, Digital Media Slot, HDMI port, and replacement thermal material)	485218-001
	UMA system board, GL40 (includes built-in modem, Digital Media Slot, HDMI port, and replacement thermal material)	485219-001
	Discrete system board, PM45 (includes built-in modem, Digital Media Slot, HDMI port, and replacement thermal material)	488338-001
	UMA system board, GL40 (includes built-in modem, Digital Media Slot, and replacement thermal material)	494282-001
(12)	<b>Speakers</b> (include left and right speakers and cables)	488383-001
(13)	<b>Audio board</b> (includes audio board cable)	489120-001
(14)	<b>Processors</b> (include replacement thermal material)	
	<b>Intel Core2 Duo processors</b> (6-MB L2 cache, 1066-MHz FSB)	
	T9400 2.53-GHz processr	492318-001
	<b>Intel Core2 Duo processors</b> (3-MB L2 cache, 1066-MHz FSB)	
	■ P8600 2.4-GHz processor	492317-001
	■ P8400 2.26-GHz processor	492316-001
	■ P7350 2.0-GHz processor	501520-002
	<b>Intel Core2 Duo processors</b> (2-MB L2 cache, 800-MHz FSB)	
	■ T5900 2.2-GHz processor	501522-002
	■ T5800 2.0-GHz processor	501521-002
	<b>Intel Pentium Dual-Core processors</b> (1-MB L2 cache, 667-MHz FSB)	
	■ T3400 2.16-GHz processor	501523-002
	■ T3200 2.0-GHz processor	492319-001
	<b>Intel Celeron-M processors</b> (1-MB L2 cache, 667-MHz FSB)	
	■ 585 2.16-GHz processor	492322-001
	■ 575 2.0-GHz processor	492321-001
	<b>Intel Celeron-T processors</b> (1-MB L2 cache, 667-MHz FSB)	
	■ T1700 1.86-GHz processor	501525-002
	■ T1600 1.66-GHz processor	501524-002
(15)	<b>Modem module cable</b>	489125-001
(16)	<b>Power connector cable</b>	486637-001
(17)	<b>Optical drive connector</b>	489127-001
(18)	<b>Base enclosures</b> (include rubber feet)	
	For use only with computer models equipped with a built-in modem, Digital Media Slot, and an HDMI port	489114-001
	For use only with computer models equipped with a built-in modem and Digital Media Slot, without an HDMI port	501252-001
	<b>Rubber Kit</b> (not illustrated, includes 6 computer feet)	486623-001
(19)	<b>Battery</b> , 6-cell, 2.20-Ah, 47-Wh	485041-003

(Continued)

<b>Item</b>	<b>Description</b>	<b>Spare Part Number</b>
(20)	<b>Bluetooth® module</b> (does not include Bluetooth cable)	483113-001
	<b>Bluetooth cable</b> (not illustrated)	489121-001
(21)	<b>Hard drives</b> (include hard drive bracket and connector)	
	320-GB, 5400-rpm	504448-001
	250-GB, 5400-rpm	485036-003
	200-GB, 5400-rpm	507527-001
	160-GB, 5400-rpm	485035-003
	120-GB, 5400-rpm	485034-003
	<b>Hard Drive Hardware Kit</b> (includes connector, bracket, and screws)	504059-001
(22)	<b>RTC battery</b>	501587-001
(23)	<b>Memory Modules</b>	
	<b>PC2-6400, 667-MHz, DDR2</b>	
	2048-MB	485033-003
	1024-MB	485032-003
	512-MB	485031-003
	<b>PC2-5300, 667-MHz, DDR2</b>	
	2048-MB	485030-003
	1024-MB	485029-003
	512-MB	485028-003
(24)	<b>WLAN modules</b>	
	<b>Atheros AR9280 802.11a/b/g/n WLAN modules:</b>	
	■ For use in Canada, the Cayman Islands, Guam, Puerto Rico, the U.S. Virgin Islands, and the United States	482260-001

*(Continued)*



Item	Description	Spare Part Number
■	For use in Afghanistan, Albania, Algeria, Andorra, Angola, Antigua and Barbuda, Argentina, Armenia, Aruba, Australia, Austria, Azerbaijan, the Bahamas, Bahrain, Bangladesh, Barbados, Belarus, Belgium, Belize, Benin, Bermuda, Bhutan, Bolivia, Bosnia and Herzegovina, Botswana, Brazil, the British Virgin Islands, Brunei, Bulgaria, Burkina Faso, Burundi, Cameroon, Cape Verde, the Central African Republic, Chad, Chile, Colombia, Comoros, the Congo, Costa Rica, Croatia, Cyprus, the Czech Republic, Denmark, Djibouti, Dominica, the Dominican Republic, East Timor, Ecuador, Egypt, El Salvador, Equatorial Guinea, Eritrea, Estonia, Ethiopia, Fiji, Finland, France, French Guiana, Gabon, Gambia, Georgia, Germany, Ghana, Gibraltar, Greece, Grenada, Guadeloupe, Guatemala, Guinea, Guinea-Bissau, Guyana, Haiti, Honduras, Hong Kong, Hungary, Iceland, India, Ireland, Israel, Italy, the Ivory Coast, Jamaica, Jordan, Kazakhstan, Kenya, Kiribati, Kyrgyzstan, Laos, Latvia, Lebanon, Lesotho, Liberia, Liechtenstein, Lithuania, Luxembourg, Macedonia, Madagascar, Malawi, Malaysia, the Maldives, Mali, Malta, the Marshall Islands, Martinique, Mauritania, Mauritius, Mexico, Micronesia, Monaco, Mongolia, Montenegro, Morocco, Mozambique, Namibia, Nauru, Nepal, the Nether Antilles, the Netherlands, New Zealand, Nicaragua, Niger, Nigeria, Norway, Oman, Pakistan, Palau, Panama, Papua New Guinea, Paraguay, the People's Republic of China, Peru, the Philippines, Poland, Portugal, the Republic of Moldova, Romania, Russia, Rwanda, Samoa, San Marino, Sao Tome and Principe, Saudi Arabia, Senegal, Serbia and Montenegro, the Seychelles, Sierra Leone, Singapore, Slovakia, Slovenia, the Solomon Islands, Somalia, South Africa, South Korea, Spain, Sri Lanka, St. Kitts and Nevis, St. Lucia, St. Vincent and the Grenadines, Suriname, Swaziland, Sweden, Switzerland, Taiwan, Tajikistan, Tanzania, Togo, Tonga, Trinidad and Tobago, Tunisia, Turkey, Turkmenistan, Tuvalu, Uganda, Ukraine, the United Arab Emirates, the United Kingdom, Uruguay, Uzbekistan, Vanuatu, Venezuela, Vietnam, Yemen, Zaire, Zambia, and Zimbabwe	482260-002
<b>Atheros AR2425 802.11b/g WLAN modules:</b>		
■	For use in Canada, the Cayman Islands, Guam, Puerto Rico, the U.S. Virgin Islands, and the United States	459339-001
■	For use in Afghanistan, Albania, Algeria, Andorra, Angola, Antigua and Barbuda, Argentina, Armenia, Aruba, Australia, Austria, Azerbaijan, the Bahamas, Bahrain, Bangladesh, Barbados, Belarus, Belgium, Belize, Benin, Bermuda, Bhutan, Bolivia, Bosnia and Herzegovina, Botswana, Brazil, the British Virgin Islands, Brunei, Bulgaria, Burkina Faso, Burundi, Cambodia, Cameroon, Cape Verde, the Central African Republic, Chad, Chile, Colombia, Comoros, Congo, Costa Rica, Croatia, Cyprus, the Czech Republic, Denmark, Djibouti, Dominica, the Dominican Republic, East Timor, Ecuador, Egypt, El Salvador, Equatorial Guinea, Eritrea, Estonia, Ethiopia, Fiji, Finland, France, French Guiana, Gabon, Gambia, Georgia, Germany, Ghana, Gibraltar, Greece, Grenada, Guadeloupe, Guatemala, Guinea, Guinea-Bissau, Guyana, Haiti, Honduras, Hong Kong, Hungary, Iceland, India, Indonesia, Ireland, Israel, Italy, the Ivory Coast, Jamaica, Japan, Jordan, Kazakhstan, Kenya, Kiribati, Kuwait, Kyrgyzstan, Laos, Latvia, Lebanon, Lesotho, Liberia, Liechtenstein, Lithuania, Luxembourg, Macedonia, Madagascar, Malawi, Malaysia, the Maldives, Mali, Malta, the Marshall Islands, Martinique, Mauritania, Mauritius, Mexico, Micronesia, Monaco, Mongolia, Montenegro, Morocco, Mozambique, Namibia, Nauru, Nepal, the Nether Antilles, the Netherlands, New Zealand, Nicaragua, Niger, Nigeria, Norway, Oman, Pakistan, Palau, Panama, Papua New Guinea, Paraguay, the People's Republic of China, Peru, the Philippines, Poland, Portugal, Qatar, the Republic of Moldova, Romania, Russia, Rwanda, Samoa, San Marino, Sao Tome and Principe, Saudi Arabia, Senegal, Serbia and Montenegro, Seychelles, Sierra Leone, Singapore, Slovakia, Slovenia, the Solomon Islands, Somalia, South Africa, South Korea, Spain, Sri Lanka, St. Kitts and Nevis, St. Lucia, St. Vincent and the Grenadines, Suriname, Swaziland, Sweden, Switzerland, Syria, Taiwan, Tajikistan, Tanzania, Thailand, Togo, Tonga, Trinidad and Tobago, Tunisia, Turkey, Turkmenistan, Tuvalu, Uganda, Ukraine, the United Arab Emirates, the United Kingdom, Uruguay, Uzbekistan, Vanuatu, Venezuela, Vietnam, Yemen, Zaire, Zambia, and Zimbabwe	459339-002

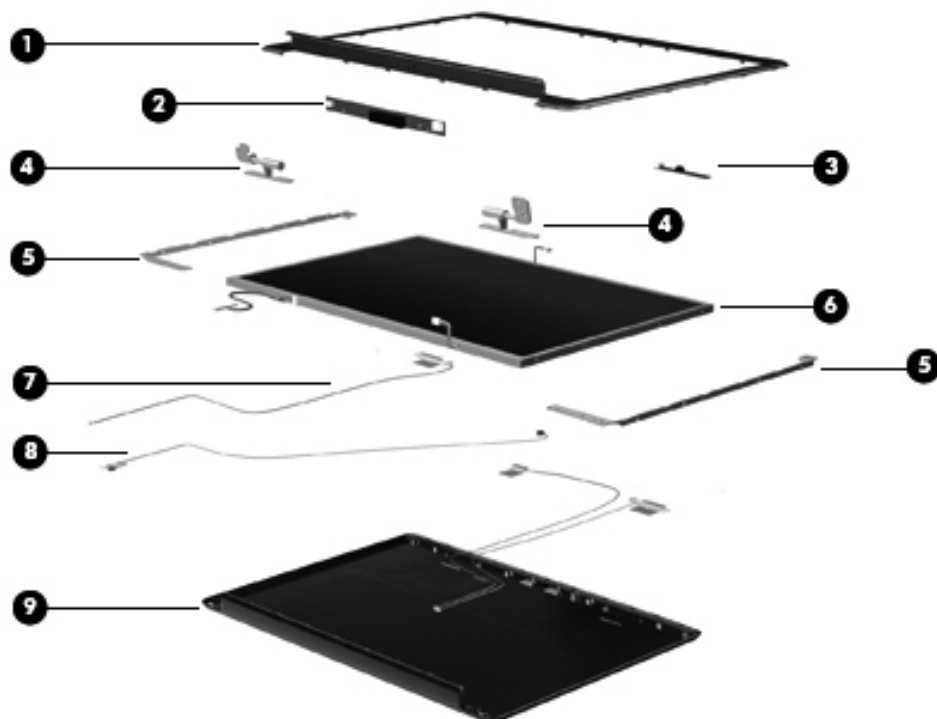
(Continued)

Item	Description	Spare Part Number
	<b>Broadcom BCM4312 802.11b/g WLAN modules:</b>	
■	For use in Canada, the Cayman Islands, Guam, Puerto Rico, the U.S. Virgin Islands, and the United States	459263-001
■	For use in Afghanistan, Albania, Algeria, Andorra, Angola, Antigua and Barbuda, Argentina, Armenia, Aruba, Australia, Austria, Azerbaijan, the Bahamas, Bahrain, Bangladesh, Barbados, Belarus, Belgium, Belize, Benin, Bermuda, Bhutan, Bolivia, Bosnia and Herzegovina, Botswana, Brazil, the British Virgin Islands, Brunei, Bulgaria, Burkina Faso, Burundi, Cameroon, Cape Verde, the Central African Republic, Chad, Chile, Colombia, Comoros, the Congo, Costa Rica, Croatia, Cyprus, the Czech Republic, Denmark, Djibouti, Dominica, the Dominican Republic, East Timor, Ecuador, Egypt, El Salvador, Equatorial Guinea, Eritrea, Estonia, Ethiopia, Fiji, Finland, France, French Guiana, Gabon, Gambia, Georgia, Germany, Ghana, Gibraltar, Greece, Grenada, Guadeloupe, Guatemala, Guinea, Guinea-Bissau, Guyana, Haiti, Honduras, Hong Kong, Hungary, Iceland, India, Ireland, Israel, Italy, the Ivory Coast, Jamaica, Jordan, Kazakhstan, Kenya, Kiribati, Kyrgyzstan, Laos, Latvia, Lebanon, Lesotho, Liberia, Liechtenstein, Lithuania, Luxembourg, Macedonia, Madagascar, Malawi, Malaysia, the Maldives, Mali, Malta, the Marshall Islands, Martinique, Mauritania, Mauritius, Mexico, Micronesia, Monaco, Mongolia, Montenegro, Morocco, Mozambique, Namibia, Nauru, Nepal, the Nether Antilles, the Netherlands, New Zealand, Nicaragua, Niger, Nigeria, Norway, Oman, Pakistan, Palau, Panama, Papua New Guinea, Paraguay, the People's Republic of China, Peru, the Philippines, Poland, Portugal, the Republic of Moldova, Romania, Russia, Rwanda, Samoa, San Marino, Sao Tome and Principe, Saudi Arabia, Senegal, Serbia and Montenegro, the Seychelles, Sierra Leone, Singapore, Slovakia, Slovenia, the Solomon Islands, Somalia, South Africa, South Korea, Spain, Sri Lanka, St. Kitts and Nevis, St. Lucia, St. Vincent and the Grenadines, Suriname, Swaziland, Sweden, Switzerland, Taiwan, Tajikistan, Tanzania, Togo, Tonga, Trinidad and Tobago, Tunisia, Turkey, Turkmenistan, Tuvalu, Uganda, Ukraine, the United Arab Emirates, the United Kingdom, Uruguay, Uzbekistan, Vanuatu, Venezuela, Vietnam, Yemen, Zaire, Zambia, and Zimbabwe	459263-002
	<b>Intel Wi-Fi Link 5100 802.11 a/b/g</b>	
■	For use in Russia, Ukraine, and Pakistan	482957-001
	<b>Intel Wi-Fi Link 5100 802.11 a/b/g/n</b>	
	For use in Afghanistan, Albania, Algeria, Andorra, Angola, Antigua and Barbuda, Argentina, Armenia, Aruba, Australia, Austria, Azerbaijan, the Bahamas, Bahrain, Bangladesh, Barbados, Belarus, Belgium, Belize, Benin, Bermuda, Bhutan, Bolivia, Bosnia and Herzegovina, Botswana, Brazil, the British Virgin Islands, Brunei, Bulgaria, Burkina Faso, Burundi, Cambodia, Cameroon, Cape Verde, the Central African Republic, Chad, Chile, Colombia, Comoros, Congo, Costa Rica, Croatia, Cyprus, the Czech Republic, Denmark, Djibouti, Dominica, the Dominican Republic, East Timor, Ecuador, Egypt, El Salvador, Equatorial Guinea, Eritrea, Estonia, Ethiopia, Fiji, Finland, France, French Guiana, Gabon, Gambia, Georgia, Germany, Ghana, Gibraltar, Greece, Grenada, Guadeloupe, Guatemala, Guinea, Guinea-Bissau, Guyana, Haiti, Honduras, Hong Kong, Hungary, Iceland, India, Indonesia, Ireland, Israel, Italy, the Ivory Coast, Jamaica, Japan, Jordan, Kazakhstan, Kenya, Kiribati, Kuwait, Kyrgyzstan, Laos, Latvia, Lebanon, Lesotho, Liberia, Liechtenstein, Lithuania, Luxembourg, Macedonia, Madagascar, Malawi, Malaysia, the Maldives, Mali, Malta, the Marshall Islands, Martinique, Mauritania, Mauritius, Mexico, Micronesia, Monaco, Mongolia, Montenegro, Morocco, Mozambique, Namibia, Nauru, Nepal, the Nether Antilles, the Netherlands, New Zealand, Nicaragua, Niger, Nigeria, Norway, Oman, Palau, Panama, Papua New Guinea, Paraguay, the People's Republic of China, Peru, the Philippines, Poland, Portugal, Qatar, the Republic of Moldova, Romania, Rwanda, Samoa, San Marino, Sao Tome and Principe, Saudi Arabia, Senegal, Serbia and Montenegro, Seychelles, Sierra Leone, Singapore, Slovakia, Slovenia, the Solomon Islands, Somalia, South Africa, South Korea, Spain, Sri Lanka, St. Kitts and Nevis, St. Lucia, St. Vincent and the Grenadines, Suriname, Swaziland, Sweden, Switzerland, Syria, Taiwan, Tajikistan, Tanzania, Thailand, Togo, Tonga, Trinidad and Tobago, Tunisia, Turkey, Turkmenistan, Tuvalu, Uganda, the United Arab Emirates, the United Kingdom, Uruguay, Uzbekistan, Vanuatu, Venezuela, Vietnam, Yemen, Zaire, Zambia, and Zimbabwe	480985-001

(Continued)

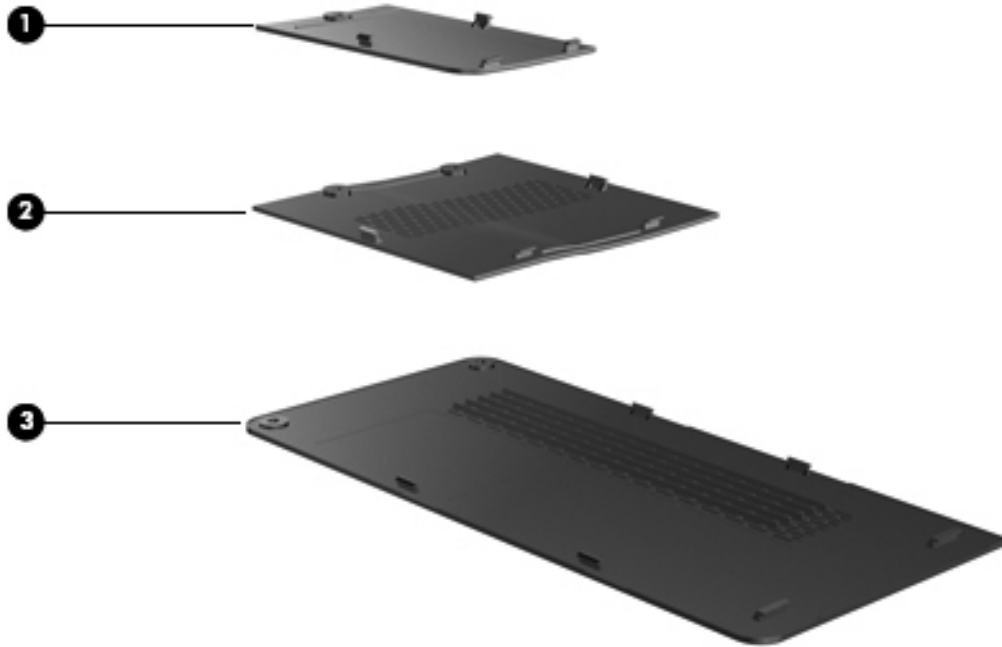
<b>Item</b>	<b>Description</b>	<b>Spare Part Number</b>
(25)	<b>Optical drives</b> (include optical drive bezel and bracket)	
	DVD±RW and CD-RW SuperMulti Double-Layer Combo Drive	485038-003
	DVD±RW and CD-RW SuperMulti Double-Layer Combo Drive with LightScribe	485039-003
	Blu-ray ROM DVD±RW SuperMulti DL Drive	485040-003

## Display assembly components



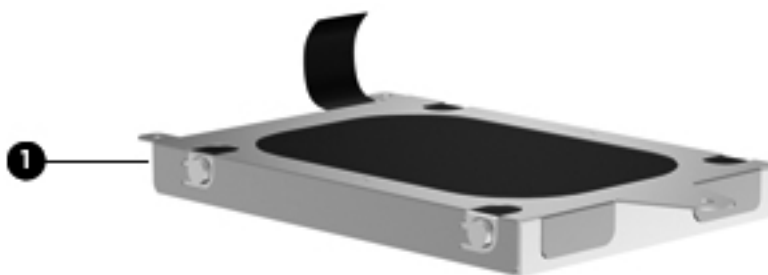
Item	Description	Spare Part Number
(1)	<b>Display bezels</b>	
	For use only with HP G70 computer models	488386-001
	For use only with Presario CQ70 computer models	488389-001
(2)	<b>Display inverter</b>	486556-001
(3)	<b>Webcam module</b> (does not include webcam module cable)	488385-001
(4)	<b>Display Hinge Kit</b> (includes left and right display hinges)	488384-001
(5)	<b>Display panel brackets</b> (include left and right brackets)	488378-001
(6)	<b>17-inch WXGA BrightView display panels</b> (include display panel and backlight cables)	
	For use only with HP G70 computer models	488377-001
	For use only with Presario CQ70 computer models	485420-001
	<b>Display panel cable</b> with webcam cable (not illustrated)	489110-001
(7)	<b>Wireless Antenna Kit</b> (includes wireless antenna transceivers and cable)	489108-001
(8)	<b>Microphone</b> (includes receiver and cable)	489109-001
(9)	<b>Display enclosures</b> (include logo)	
	For use only with HP G70 computer models	488379-001
	For use only with Presario CQ70 computer models	488387-001
	<b>Display Rubber Kit</b> (not illustrated, includes display bezel rubber screw covers)	489107-001
	<b>Display Screw Kit</b> (not illustrated)	486622-001

## Plastics Kit



Item	Description	Spare part number
	<b>Plastics Kit:</b>	489112-001
❶	WLAN module compartment cover (includes 1 captive screw, secured by a C-clip)	
❷	Memory module compartment cover (includes 2 captive screws, secured by C-clips)	
❸	Hard drive cover (includes 2 captive screws, secured by C-clips)	

## Mass storage devices



Item	Description	Spare part number
<b>1</b>	<b>Hard drives</b> (include connector and bracket)	
	320-GB, 5400-rpm	504448-001
	250-GB, 5400-rpm	485036-003
	200-GB, 5400-rpm	507527-001
	160-GB, 5400-rpm	485035-003
	120-GB, 5400-rpm	485034-003
	<b>Hard Drive Hardware Kit</b> (includes connector, bracket, and screws)	504059-001
<b>2</b>	<b>Optical drives</b> (include bezel and bracket)	
	DVD±RW and CD-RW SuperMulti Double-Layer Combo Drive	485038-003
	DVD±RW and CD-RW SuperMulti Double-Layer Combo Drive with LightScribe	485039-003
	Blu-ray ROM DVD±RW SuperMulti DL Drive	485040-003

## Miscellaneous parts

Description	Spare part number
<b>AC adapters:</b>	
65-W AC adapter	463958-001
90-W AC adapter	463955-001
<b>Power cords:</b>	
For use in Argentina	490371-D01
For use in Australia	490371-011
For use in Brazil	490371-201
For use in Denmark	490371-081
For use in Europe	490371-021
For use in India	490371-D61
For use in Israel	490371-BB1
For use in Italy	490371-061
For use in South Africa	490371-AR1
For use in South Korea	490371-AD1
For use in Switzerland	490371-111
For use in the People's Republic of China	490371-AA1
For use in Taiwan	490371-AB1
For use in the United Kingdom and Singapore	490371-031
For use in the United States	490371-001
<b>Screw Kit</b>	
■ Phillips PM2.5x5.0 screw	
■ Phillips PM2.0x6.0 screw	
■ Phillips PM2.5x6.0 captive screw	
■ Phillips PM2.5x6.0 screw	
■ Phillips PM2.5x9.0 screw	
■ Phillips PM2.5x7.0 screw	
■ Phillips PM2.0x4.0 screw	
■ Phillips PM2.0x3.0 screw	
■ Phillips PM3.0x4.0 screw	
■ Phillips PM2.0x10.0 captive screw	

## Sequential part number listing

Serial part number	Description number
459263-001	Broadcom BCM4312 802.11b/g WLAN module for use in Canada, the Cayman Islands, Guam, Puerto Rico, the U.S. Virgin Islands, and the United States
459263-002	Broadcom BCM4312 802.11b/g WLAN module for use in Afghanistan, Albania, Algeria, Andorra, Angola, Antigua and Barbuda, Argentina, Armenia, Aruba, Australia, Austria, Azerbaijan, the Bahamas, Bahrain, Bangladesh, Barbados, Belarus, Belgium, Belize, Benin, Bermuda, Bhutan, Bolivia, Bosnia and Herzegovina, Botswana, Brazil, the British Virgin Islands, Brunei, Bulgaria, Burkina Faso, Burundi, Cameroon, Cape Verde, the Central African Republic, Chad, Chile, Colombia, Comoros, the Congo, Costa Rica, Croatia, Cyprus, the Czech Republic, Denmark, Djibouti, Dominica, the Dominican Republic, East Timor, Ecuador, Egypt, El Salvador, Equatorial Guinea, Eritrea, Estonia, Ethiopia, Fiji, Finland, France, French Guiana, Gabon, Gambia, Georgia, Germany, Ghana, Gibraltar, Greece, Grenada, Guadeloupe, Guatemala, Guinea, Guinea- Bissau, Guyana, Haiti, Honduras, Hong Kong, Hungary, Iceland, India, Ireland, Israel, Italy, the Ivory Coast, Jamaica, Jordan, Kazakhstan, Kenya, Kiribati, Kyrgyzstan, Laos, Latvia, Lebanon, Lesotho, Liberia, Liechtenstein, Lithuania, Luxembourg, Macedonia, Madagascar, Malawi, Malaysia, the Maldives, Mali, Malta, the Marshall Islands, Martinique, Mauritania, Mauritius, Mexico, Micronesia, Monaco, Mongolia, Montenegro, Morocco, Mozambique, Namibia, Nauru, Nepal, the Nether Antilles, the Netherlands, New Zealand, Nicaragua, Niger, Nigeria, Norway, Oman, Pakistan, Palau, Panama, Papua New Guinea, Paraguay, the People's Republic of China, Peru, the Philippines, Poland, Portugal, the Republic of Moldova, Romania, Russia, Rwanda, Samoa, San Marino, Sao Tome and Principe, Saudi Arabia, Senegal, Serbia and Montenegro, the Seychelles, Sierra Leone, Singapore, Slovakia, Slovenia, the Solomon Islands, Somalia, South Africa, South Korea, Spain, Sri Lanka, St. Kitts and Nevis, St. Lucia, St. Vincent and the Grenadines, Suriname, Swaziland, Sweden, Switzerland, Taiwan, Tajikistan, Tanzania, Togo, Tonga, Trinidad and Tobago, Tunisia, Turkey, Turkmenistan, Tuvalu, Uganda, Ukraine, the United Arab Emirates, the United Kingdom, Uruguay, Uzbekistan, Vanuatu, Venezuela, Vietnam, Yemen, Zaire, Zambia, and Zimbabwe
459339-001	Atheros AR2425 802.11b/g WLAN module for use in Canada, the Cayman Islands, Guam, Puerto Rico, the U.S. Virgin Islands, and the United States
459339-002	Atheros AR2425 802.11b/g WLAN module for use in Afghanistan, Albania, Algeria, Andorra, Angola, Antigua and Barbuda, Argentina, Armenia, Aruba, Australia, Austria, Azerbaijan, the Bahamas, Bahrain, Bangladesh, Barbados, Belarus, Belgium, Belize, Benin, Bermuda, Bhutan, Bolivia, Bosnia and Herzegovina, Botswana, Brazil, the British Virgin Islands, Brunei, Bulgaria, Burkina Faso, Burundi, Cameroon, Cape Verde, the Central African Republic, Chad, Chile, Colombia, Comoros, the Congo, Costa Rica, Croatia, Cyprus, the Czech Republic, Denmark, Djibouti, Dominica, the Dominican Republic, East Timor, Ecuador, Egypt, El Salvador, Equatorial Guinea, Eritrea, Estonia, Ethiopia, Fiji, Finland, France, French Guiana, Gabon, Gambia, Georgia, Germany, Ghana, Gibraltar, Greece, Grenada, Guadeloupe, Guatemala, Guinea, Guinea- Bissau, Guyana, Haiti, Honduras, Hong Kong, Hungary, Iceland, India, Ireland, Israel, Italy, the Ivory Coast, Jamaica, Jordan, Kazakhstan, Kenya, Kiribati, Kyrgyzstan, Laos, Latvia, Lebanon, Lesotho, Liberia, Liechtenstein, Lithuania, Luxembourg, Macedonia, Madagascar, Malawi, Malaysia, the Maldives, Mali, Malta, the Marshall Islands, Martinique, Mauritania, Mauritius, Mexico, Micronesia, Monaco, Mongolia, Montenegro, Morocco, Mozambique, Namibia, Nauru, Nepal, the Nether Antilles, the Netherlands, New Zealand, Nicaragua, Niger, Nigeria, Norway, Oman, Pakistan, Palau, Panama, Papua New Guinea, Paraguay, the People's Republic of China, Peru, the Philippines, Poland, Portugal, the Republic of Moldova, Romania, Russia, Rwanda, Samoa, San Marino, Sao Tome and Principe, Saudi Arabia, Senegal, Serbia and Montenegro, the Seychelles, Sierra Leone, Singapore, Slovakia, Slovenia, the Solomon Islands, Somalia, South Africa, South Korea, Spain, Sri Lanka, St. Kitts and Nevis, St. Lucia, St. Vincent and the Grenadines, Suriname, Swaziland, Sweden, Switzerland, Taiwan, Tajikistan, Tanzania, Togo, Tonga, Trinidad and Tobago, Tunisia, Turkey, Turkmenistan, Tuvalu, Uganda, Ukraine, the United Arab Emirates, the United Kingdom, Uruguay, Uzbekistan, Vanuatu, Venezuela, Vietnam, Yemen, Zaire, Zambia, and Zimbabwe
463955-001	90-W AC adapter
463958-001	65-W AC adapter

(Continued)



Serial part number	Description number
480985-001	Intel Wi-Fi Link 5100 802.11 a/b/g/n for use in Afghanistan, Albania, Algeria, Andorra, Angola, Antigua and Barbuda, Argentina, Armenia, Aruba, Australia, Austria, Azerbaijan, the Bahamas, Bahrain, Bangladesh, Barbados, Belarus, Belgium, Belize, Benin, Bermuda, Bhutan, Bolivia, Bosnia and Herzegovina, Botswana, Brazil, the British Virgin Islands, Brunei, Bulgaria, Burkina Faso, Burundi, Cameroon, Cape Verde, the Central African Republic, Chad, Chile, Colombia, Comoros, the Congo, Costa Rica, Croatia, Cyprus, the Czech Republic, Denmark, Djibouti, Dominica, the Dominican Republic, East Timor, Ecuador, Egypt, El Salvador, Equatorial Guinea, Eritrea, Estonia, Ethiopia, Fiji, Finland, France, French Guiana, Gabon, Gambia, Georgia, Germany, Ghana, Gibraltar, Greece, Grenada, Guadeloupe, Guatemala, Guinea, Guinea- Bissau, Guyana, Haiti, Honduras, Hong Kong, Hungary, Iceland, India, Ireland, Israel, Italy, the Ivory Coast, Jamaica, Jordan, Kazakhstan, Kenya, Kiribati, Kyrgyzstan, Laos, Latvia, Lebanon, Lesotho, Liberia, Liechtenstein, Lithuania, Luxembourg, Macedonia, Madagascar, Malawi, Malaysia, the Maldives, Mali, Malta, the Marshall Islands, Martinique, Mauritania, Mauritius, Mexico, Micronesia, Monaco, Mongolia, Montenegro, Morocco, Mozambique, Namibia, Nauru, Nepal, the Nether Antilles, the Netherlands, New Zealand, Nicaragua, Niger, Nigeria, Norway, Oman, Palau, Panama, Papua New Guinea, Paraguay, the People's Republic of China, Peru, the Philippines, Poland, Portugal, the Republic of Moldova, Romania, Rwanda, Samoa, San Marino, Sao Tome and Principe, Saudi Arabia, Senegal, Serbia and Montenegro, the Seychelles, Sierra Leone, Singapore, Slovakia, Slovenia, the Solomon Islands, Somalia, South Africa, South Korea, Spain, Sri Lanka, St. Kitts and Nevis, St. Lucia, St. Vincent and the Grenadines, Suriname, Swaziland, Sweden, Switzerland, Taiwan, Tajikistan, Tanzania, Togo, Tonga, Trinidad and Tobago, Tunisia, Turkey, Turkmenistan, Tuvalu, Uganda, the United Arab Emirates, the United Kingdom, Uruguay, Uzbekistan, Vanuatu, Venezuela, Vietnam, Yemen, Zaire, Zambia, and Zimbabwe
482260-001	Atheros AR9280 802.11a/b/g/n WLAN module for use in Canada, the Cayman Islands, Guam, Puerto Rico, the U.S. Virgin Islands, and the United States
482260-002	Atheros AR9280 802.11a/b/g/n WLAN module for use in Afghanistan, Albania, Algeria, Andorra, Angola, Antigua and Barbuda, Argentina, Armenia, Aruba, Australia, Austria, Azerbaijan, the Bahamas, Bahrain, Bangladesh, Barbados, Belarus, Belgium, Belize, Benin, Bermuda, Bhutan, Bolivia, Bosnia and Herzegovina, Botswana, Brazil, the British Virgin Islands, Brunei, Bulgaria, Burkina Faso, Burundi, Cameroon, Cape Verde, the Central African Republic, Chad, Chile, Colombia, Comoros, the Congo, Costa Rica, Croatia, Cyprus, the Czech Republic, Denmark, Djibouti, Dominica, the Dominican Republic, East Timor, Ecuador, Egypt, El Salvador, Equatorial Guinea, Eritrea, Estonia, Ethiopia, Fiji, Finland, France, French Guiana, Gabon, Gambia, Georgia, Germany, Ghana, Gibraltar, Greece, Grenada, Guadeloupe, Guatemala, Guinea, Guinea- Bissau, Guyana, Haiti, Honduras, Hong Kong, Hungary, Iceland, India, Ireland, Israel, Italy, the Ivory Coast, Jamaica, Jordan, Kazakhstan, Kenya, Kiribati, Kyrgyzstan, Laos, Latvia, Lebanon, Lesotho, Liberia, Liechtenstein, Lithuania, Luxembourg, Macedonia, Madagascar, Malawi, Malaysia, the Maldives, Mali, Malta, the Marshall Islands, Martinique, Mauritania, Mauritius, Mexico, Micronesia, Monaco, Mongolia, Montenegro, Morocco, Mozambique, Namibia, Nauru, Nepal, the Nether Antilles, the Netherlands, New Zealand, Nicaragua, Niger, Nigeria, Norway, Oman, Palau, Panama, Papua New Guinea, Paraguay, the People's Republic of China, Peru, the Philippines, Poland, Portugal, the Republic of Moldova, Romania, Rwanda, Samoa, San Marino, Sao Tome and Principe, Saudi Arabia, Senegal, Serbia and Montenegro, the Seychelles, Sierra Leone, Singapore, Slovakia, Slovenia, the Solomon Islands, Somalia, South Africa, South Korea, Spain, Sri Lanka, St. Kitts and Nevis, St. Lucia, St. Vincent and the Grenadines, Suriname, Swaziland, Sweden, Switzerland, Taiwan, Tajikistan, Tanzania, Togo, Tonga, Trinidad and Tobago, Tunisia, Turkey, Turkmenistan, Tuvalu, Uganda, the United Arab Emirates, the United Kingdom, Uruguay, Uzbekistan, Vanuatu, Venezuela, Vietnam, Yemen, Zaire, Zambia, and Zimbabwe
482957-001	Intel Wi-Fi Link 5100 802.11 a/b/g WLAN Module for use in Russia, Ukraine, and Pakistan
483113-001	Bluetooth module (does not include Bluetooth cable)
485028-003	512-MB memory module (PC2-5300, 667-MHz, DDR2)
485029-003	1024-MB memory module (PC2-5300, 667-MHz, DDR2)
485030-003	2048-MB memory module (PC2-5300, 667-MHz, DDR2)
485031-003	512-MB memory module (PC2-6400, 667-MHz, DDR2)
485032-003	1024-MB memory module (PC2-6400, 667-MHz, DDR2)

(Continued)

<b>Serial part number</b>	<b>Description number</b>
485033-003	2048-MB memory module (PC2-6400, 667-MHz, DDR2)
485034-003	120-GB, 5400-rpm hard drive (includes hard drive bracket and connector)
485035-003	160-GB, 5400-rpm hard drive (includes hard drive bracket and connector)
485036-003	250-GB, 5400-rpm hard drive (includes hard drive bracket and connector)
485038-003	DVD±RW and CD-RW SuperMulti Double-Layer Combo Drive
485039-003	DVD±RW and CD-RW SuperMulti Double-Layer Combo Drive with LightScribe
485040-003	Blu-ray ROM DVD±RW SuperMulti DL Drive
485041-003	Battery, 6-cell, 2.20-Ah, 47-Wh
485218-001	UMA System Board, GM45 (with built-in modem, Digital Media Slot, HDMI port, and replacement thermal material)
485219-001	UMA System Board, GL40 (with built-in modem, Digital Media Slot, HDMI port, and replacement thermal material)
485418-001	17-inch WXGA BrightView display assembly (includes webcam module and cable, 2 WLAN antenna transceivers and cables, microphone and cable, and logo)
485420-001	17-inch WXGA BrightView display panel for Presario CQ70 computer models (includes display panel and backlight cables)
485424-001	Keyboard for use in the United States (includes keyboard cable)
485424-031	Keyboard for use in the United Kingdom (includes keyboard cable)
485424-041	Keyboard for use in Germany (includes keyboard cable)
485424-051	Keyboard for use in France (includes keyboard cable)
485424-061	Keyboard for use in Italy (includes keyboard cable)
485424-071	Keyboard for use in Spain (includes keyboard cable)
485424-111	Keyboard for use in Switzerland (includes keyboard cable)
485424-121	Keyboard for use in Canada (includes keyboard cable)
485424-131	Keyboard for use in Portugal (includes keyboard cable)
485424-141	Keyboard for use Turkey (includes keyboard cable)
485424-151	Keyboard for use in Greece (includes keyboard cable)
485424-161	Keyboard for use in Latin America (includes keyboard cable)
485424-171	Keyboard for use in Saudi Arabia (includes keyboard cable)
485424-181	Keyboard for use in Belgium (includes keyboard cable)
485424-221	Keyboard for use in the Czech Republic (includes keyboard cable)
485424-251	Keyboard for use in Russia (includes keyboard cable)
485424-AD1	Keyboard for use in South Korea (includes keyboard cable)
485424-B31	Keyboard for international use (includes keyboard cable)
485424-BB1	Keyboard for use in Israel (includes keyboard cable)
485424-DH1	Keyboard for use in Denmark, Finland, Norway (includes keyboard cable)
486556-001	Display inverter
486623-001	Rubber Kit (includes 6 computer feet)
486633-001	USB board (does not include USB board cable)

*(Continued)*

<b>Serial part number</b>	<b>Description number</b>
486637-001	Power connector cable
488338-001	System board, discrete, PM45 (with built-in modem, Digital Media Slot, and HDMI port)
488377-001	17-inch, WXGA BrightView display panel for use with HP G70 computer models (includes display panel and backlight cables)
488378-001	Display panel brackets (include left and right brackets)
488379-001	Display enclosure for use with HP G70 computer models (includes logo)
486622-001	Display Screw Kit
488383-001	Speakers (include left and right speakers and cables)
488384-001	Display Hinge Kit (includes left and right display hinges)
488385-001	Webcam module (does not include webcam module cable)
488386-001	Display bezel for use only with HP G70 computer models
488387-001	Display enclosure for use with Presario CQ70 computer models (includes logo)
488389-001	Display bezel for use only with Presario CQ70 computer models
489107-001	Display Rubber Kit (includes display bezel rubber screw covers)
489108-001	Wireless Antenna Kit (includes left and right wireless antenna transceivers and cable)
489109-001	Microphone (includes receiver and cable)
489110-001	Display panel cable (includes webcam cable)
489112-001	Plastics Kit
489114-001	Base enclosure for use with computer models equipped with a built-in modem, Digital Media Slot, and an HDMI port (includes rubber feet)
489115-001	Keyboard cover
489116-001	Power button board (includes power button board cable)
489117-001	Top cover (includes TouchPad board)
489118-001	TouchPad on/off button board (includes cables)
489119-001	TouchPad board bracket
489120-001	Audio board (includes audio board cable)
489121-001	Bluetooth cable
489123-001	USB board cable (includes num lock LED)
489125-001	Modem module cable
489126-001	Fan/heatsink assembly (includes replacement thermal material)
489127-001	Optical drive connector
490371-001	Power cord for use in the United States
490371-011	Power cord for use in Australia
490371-021	Power cord for use in Europe
490371-031	Power cord for use in the United Kingdom and Singapore
490371-061	Power cord for use in Italy
490371-081	Power cord for use in Denmark
490371-111	Power cord for use in Switzerland
490371-201	Power cord for use in Brazil
490371-AA1	For use in the People's Republic of China

<b>Serial part number</b>	<b>Description number</b>
490371-AB1	Power cord for use in Taiwan
490371-AD1	Power cord for use in South Korea
490371-AR1	Power cord for use in South Africa
490371-BB1	Power cord for use in Israel
490371-D01	Power cord for use in Argentina
490371-D61	Power cord for use in India
492316-001	P8400 2.26-GHz Intel Core2 Duo processor (3-MB L2 cache, 1066-MHz FSB)
492317-001	P8600 2.4-GHz Intel Core2 Duo processor (3-MB L2 cache, 1066-MHz FSB)
492318-001	T9400 2.53-GHz Intel Core2 Duo processor (6-MB L2 cache, 1066-MHz FSB)
492319-001	T3200 2.0-GHz Intel Pentium Dual-Core processor (1-MB L2 cache, 667-MHz FSB)
492321-001	575 2.0-GHz Intel Celeron-M processor (1-MB L2 cache, 667-MHz FSB)
492322-001	585 2.16-GHz Intel Celeron-M processor (1-MB L2 cache, 667-MHz FSB)
494282-001	UMA System Board, GL40 (with built-in modem, Digital Media Slot, and replacement thermal material)
501252-001	Base enclosure for use with computer models equipped with a built-in modem and Digital Media Slot, without an HDMI port (includes rubber feet)
501520-002	P7350 2.0-GHz Intel Core2 Duo processor (3-MB L2 cache, 1066-MHz FSB)
501521-002	T5800 2.0-GHz Intel Core2 Duo processor (2-MB L2 cache, 800-MHz FSB)
501522-002	T5900 2.2-GHz Intel Core2 Duo processor (2-MB L2 cache, 800-MHz FSB)
501523-002	T3400 2.16-GHz Intel Pentium Dual-Core processor (1-MB L2 cache, 667-MHz FSB)
501524-002	T1600 1.66-GHz Intel Celeron-T processor (1-MB L2 cache, 667-MHz FSB)
501525-002	T1700 1.86-GHz Intel Celeron-T processor (1-MB L2 cache, 667-MHz FSB)
501587-001	RTC battery
504059-001	Hard Drive Hardware Kit (includes hard drive bracket, connector, and screws)
504448-001	320-GB, 5400-rpm hard drive (includes hard drive bracket and connector)
507527-001	200-GB, 5400-rpm hard drive (includes hard drive bracket and connector)

---

# Removal and replacement procedures

## Preliminary replacement requirements

### Tools required

You will need the following tools to complete the removal and replacement procedures:

- Flat-bladed screwdriver
- Magnetic screwdriver
- Phillips P0 and P1 screwdrivers

### Service considerations

The following sections include some of the considerations that you must keep in mind during disassembly and assembly procedures.



---

As you remove each subassembly from the computer, place the subassembly (and all accompanying screws) away from the work area to prevent damage.

---

### Plastic parts

Using excessive force during disassembly and reassembly can damage plastic parts. Use care when handling the plastic parts. Apply pressure only at the points designated in the maintenance instructions.

### Cables and connectors



---

**CAUTION:** When servicing the computer, be sure that cables are placed in their proper locations during the reassembly process. Improper cable placement can damage the computer.

---

Cables must be handled with extreme care to avoid damage. Apply only the tension required to unseat or seat the cables during removal and insertion. Handle cables by the connector whenever possible. In all cases, avoid bending, twisting, or tearing cables. Be sure that cables are routed in such a way that they cannot be caught or snagged by parts being removed or replaced. Handle flex cables with extreme care; these cables tear easily.

## Drive handling



**CAUTION:** Drives are fragile components that must be handled with care. To prevent damage to the computer, damage to a drive, or loss of information, observe these precautions:

- Before removing or inserting a hard drive, shut down the computer. If you are unsure whether the computer is off or in Hibernation, turn the computer on, and then shut it down through the operating system.
  - Before handling a drive, be sure that you are discharged of static electricity. While handling a drive, avoid touching the connector.
  - Before removing a diskette drive or optical drive, be sure that a diskette or disc is not in the drive and be sure that the optical drive tray is closed.
  - Handle drives on surfaces covered with at least one inch of shock-proof foam.
  - Avoid dropping drives from any height onto any surface.
  - After removing a hard drive, an optical drive, or a diskette drive, place it in a static-proof bag.
  - Avoid exposing a hard drive to products that have magnetic fields, such as monitors or speakers.
  - Avoid exposing a drive to temperature extremes or liquids.
  - If a drive must be mailed, place the drive in a bubble pack mailer or other suitable form of protective packaging and label the package "FRAGILE."
- 

## Grounding guidelines

### Electrostatic discharge damage

Electronic components are sensitive to electrostatic discharge (ESD). Circuitry design and structure determine the degree of sensitivity. Networks built into many integrated circuits provide some protection, but in many cases, ESD contains enough power to alter device parameters or melt silicon junctions.

A discharge of static electricity from a finger or other conductor can destroy static-sensitive devices or microcircuitry. Even if the spark is neither felt nor heard, damage may have occurred.

An electronic device exposed to ESD may not be affected at all and can work perfectly throughout a normal cycle. Or the device may function normally for a while, then degrade in the internal layers, reducing its life expectancy.



**CAUTION:** To prevent damage to the computer when you are removing or installing internal components, observe these precautions:

- Keep components in their electrostatic-safe containers until you are ready to install them.
  - Use nonmagnetic tools.
  - Before touching an electronic component, discharge static electricity by using the guidelines described in this section.
  - Avoid touching pins, leads, and circuitry. Handle electronic components as little as possible.
  - If you remove a component, place it in an electrostatic-safe container.
-

The following table shows how humidity affects the electrostatic voltage levels generated by different activities.



**CAUTION:** A product can be degraded by as little as 700 V.

Typical electrostatic voltage levels			
Event	Relative humidity		
	10%	40%	55%
Walking across carpet	35,000 V	15,000 V	7,500 V
Walking across vinyl floor	12,000 V	5,000 V	3,000 V
Motions of bench worker	6,000 V	800 V	400 V
Removing DIPS from plastic tube	2,000 V	700 V	400 V
Removing DIPS from vinyl tray	11,500 V	4,000 V	2,000 V
Removing DIPS from Styrofoam	14,500 V	5,000 V	3,500 V
Removing bubble pack from PCB	26,500 V	20,000 V	7,000 V
Packing PCBs in foam-lined box	21,000 V	11,000 V	5,000 V

## Packaging and transporting guidelines

Follow these grounding guidelines when packaging and transporting equipment:

- To avoid hand contact, transport products in static-safe tubes, bags, or boxes.
- Protect ESD-sensitive parts and assemblies with conductive or approved containers or packaging.
- Keep ESD-sensitive parts in their containers until the parts arrive at static-free workstations.
- Place items on a grounded surface before removing items from their containers.
- Always be properly grounded when touching a component or assembly.
- Store reusable ESD-sensitive parts from assemblies in protective packaging or nonconductive foam.
- Use transporters and conveyors made of antistatic belts and roller bushings. Be sure that mechanized equipment used for moving materials is wired to ground and that proper materials are selected to avoid static charging. When grounding is not possible, use an ionizer to dissipate electric charges.

## Workstation guidelines

Follow these grounding workstation guidelines:

- Cover the workstation with approved static-shielding material.
- Use a wrist strap connected to a properly grounded work surface and use properly grounded tools and equipment.
- Use conductive field service tools, such as cutters, screwdrivers, and vacuums.
- When fixtures must directly contact dissipative surfaces, use fixtures made only of static-safe materials.
- Keep the work area free of nonconductive materials, such as ordinary plastic assembly aids and Styrofoam.
- Handle ESD-sensitive components, parts, and assemblies by the case or PCM laminate. Handle these items only at static-free workstations.
- Avoid contact with pins, leads, or circuitry.
- Turn off power and input signals before inserting or removing connectors or test equipment.

## Equipment guidelines

Grounding equipment must include either a wrist strap or a foot strap at a grounded workstation.

- When seated, wear a wrist strap connected to a grounded system. Wrist straps are flexible straps with a minimum of one megohm  $\pm 10\%$  resistance in the ground cords. To provide proper ground, wear a strap snugly against the skin at all times. On grounded mats with banana-plug connectors, use alligator clips to connect a wrist strap.
- When standing, use foot straps and a grounded floor mat. Foot straps (heel, toe, or boot straps) can be used at standing workstations and are compatible with most types of shoes or boots. On conductive floors or dissipative floor mats, use foot straps on both feet with a minimum of one megohm resistance between the operator and ground. To be effective, the conductive strips must be worn in contact with the skin.

The following grounding equipment is recommended to prevent electrostatic damage:

- Antistatic tape
- Antistatic smocks, aprons, and sleeve protectors
- Conductive bins and other assembly or soldering aids
- Nonconductive foam
- Conductive tabletop workstations with ground cords of one megohm resistance
- Static-dissipative tables or floor mats with hard ties to the ground
- Field service kits
- Static awareness labels
- Material-handling packages
- Nonconductive plastic bags, tubes, or boxes
- Metal tote boxes
- Electrostatic voltage levels and protective materials

The following table lists the shielding protection provided by antistatic bags and floor mats.

Material	Use	Voltage protection level
Antistatic plastic	Bags	1,500 V
Carbon-loaded plastic	Floor mats	7,500 V
Metallized laminate	Floor mats	5,000 V

## Unknown user password

If the computer you are servicing has an unknown user password, follow these steps to clear the password:



These steps also clear CMOS.

1. Shut down the computer. If you are unsure whether the computer is off or in Hibernation, turn the computer on, and then shut it down through the operating system.
2. Disconnect all external devices connected to the computer.
3. Disconnect the power from the computer by first unplugging the power cord from the AC outlet and then unplugging the AC adapter from the computer.
4. Remove the battery (see [“Battery” on page 4-6](#)).
5. Remove the real-time clock (RTC) battery (see [“RTC battery” on page 4-11](#)).
6. Wait approximately 5 minutes.



7. Replace the RTC battery and reassemble the computer.
8. Connect AC power to the computer. Do not reinsert any batteries at this time.
9. Turn on the computer.

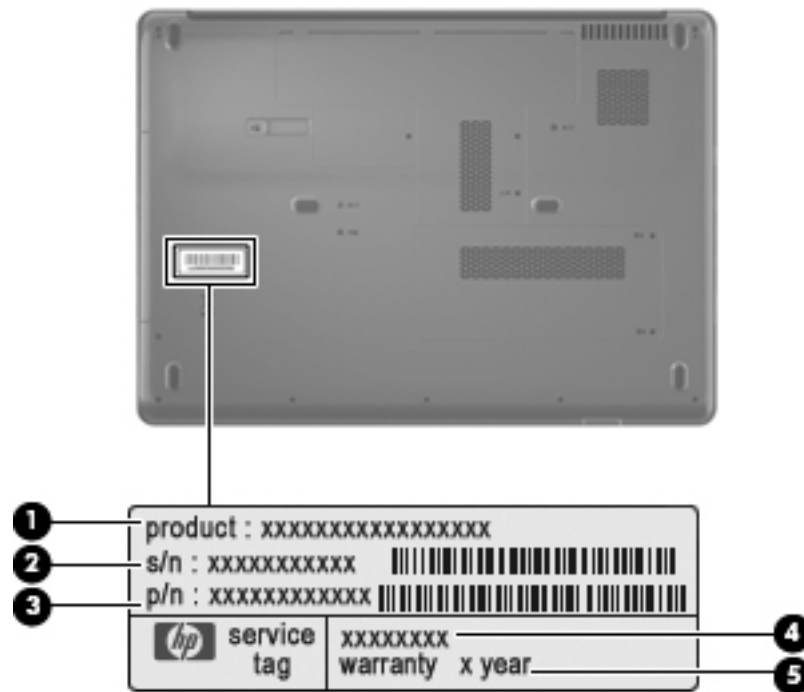
All passwords and all CMOS settings have been cleared.

## Component replacement procedures

This chapter provides removal and replacement procedures. There are as many as 82 screws, in 10 different sizes, that must be removed, replaced, or loosened when servicing the computer. Make special note of each screw and standoff size and location during removal and replacement.

### Serial number

Report the computer serial number to HP when requesting information or ordering spare parts. The serial number is located on the bottom of the computer.

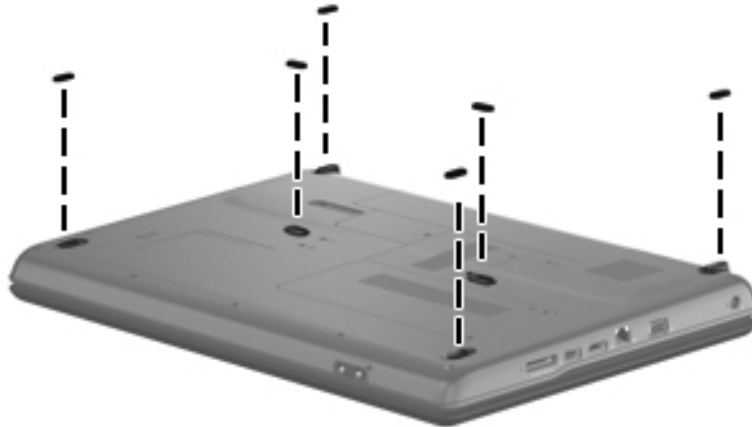


Item	Component	Description
1	Product name	This is the product name affixed to the front of your computer.
2	Serial number (s/n)	This is an alphanumeric identifier that is unique to each product.
3	Part number/ product number (p/n)	This number provides specific information about the product's hardware components. The part number helps a service technician to determine what components and parts are needed.
4	Model description	This is the number you use to locate documents, drivers, and support for your computer.
5	Warranty period	This number describes the duration (in years) of the warranty period for this computer.

## Computer feet

Description	Serial Number
Rubber Kit	486623-001

The computer feet are adhesive-backed rubber pads. The feet attach to the base enclosure in the locations illustrated below.



## Battery

Description	Spare part number
6 cell, 2.20-Ah, 47-Wh battery	485041-003

Before disassembling the computer, follow these steps:

1. Shut down the computer. If you are unsure whether the computer is off or in Hibernation, turn the computer on, and then shut it down through the operating system.
2. Disconnect all external devices connected to the computer.
3. Disconnect the power from the computer by first unplugging the power cord from the AC outlet and then unplugging the AC adapter from the computer.

Remove the battery:

1. Turn the computer upside down on a flat surface, with the battery bay toward you.
2. Slide the battery release latch **1** to release the battery.
3. Pivot the battery **2** upward and remove it **3** from the computer.



Install the battery by inserting it into the battery bay until you hear a click.

## Optical drive



All optical drive spare part kits include an optical drive bezel and optical drive bracket.

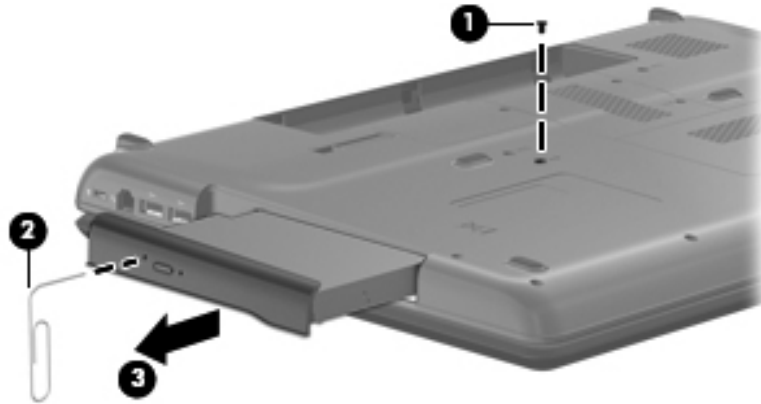
Description	Spare part number
DVD±RW and CD-RW SuperMulti Double Layer Combo Drive	485038-003
DVD±RW and CD-RW SuperMulti Double Layer Combo Drive with LightScribe	485039-003
Blu-ray ROM DVD±RW SuperMulti DL Drive	484040-003

Before removing the optical drive, follow these steps:

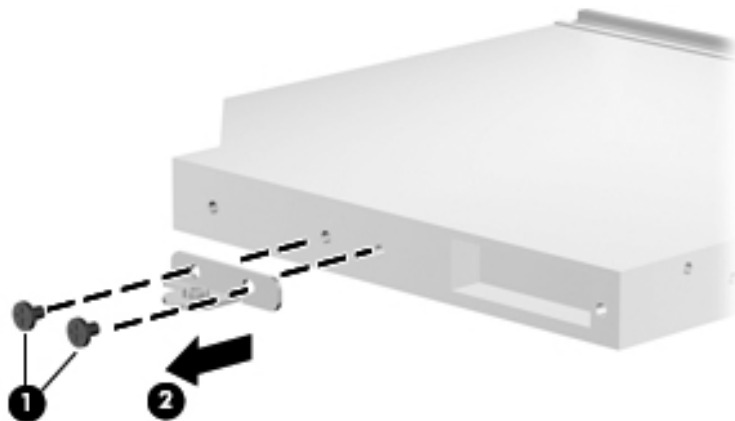
1. Shut down the computer. If you are unsure whether the computer is off or in Hibernation, turn the computer on, and then shut it down through the operating system.
2. Disconnect all external devices connected to the computer.
3. Disconnect the power from the computer by first unplugging the power cord from the AC outlet and then unplugging the AC adapter from the computer.
4. Remove the battery (see [“Battery” on page 4-6](#)).

Remove the optical drive:

1. Position the computer with the left side toward you.
2. Remove the Phillips PM2.0×5.0 screw ❶ that secures the optical drive to the computer.
3. Insert a thin tool, such as a paper clip ❷, into the release access. (The disc tray is partially ejected from the optical drive.)
4. Grasp the bezel and slide the optical drive ❸ out of the computer.



5. If it is necessary to replace the optical drive bracket, position the optical drive with the rear toward you.
6. Remove the two Phillips PM1.5×3.5 screws ❶ that secure the optical drive bracket to the optical drive.
7. Remove the optical drive bracket ❷.



Reverse this procedure to reassemble and install an optical drive.

## Hard drive



All hard drive spare part kits include a hard drive bracket and hard drive connector. The hard drive bracket and hard drive connector, as well as the hard drive bracket screws, are also available in the Hard Drive Hardware Kit.

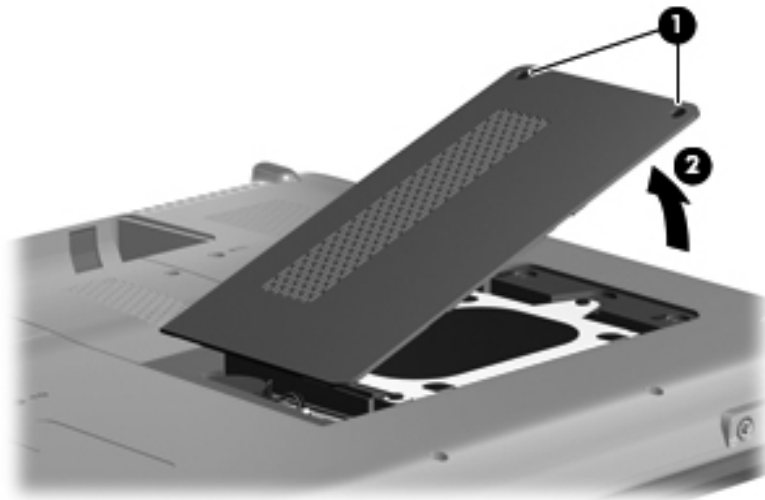
Description	Spare part number
120-GB, 5400-rpm hard drive	485034-003
160-GB, 5400-rpm hard drive	485035-003
200-GB, 5400-rpm hard drive	507527-001
250-GB, 5400-rpm hard drive	485036-003
320-GB, 5400-rpm hard drive	504448-001
Hard Drive Hardware Kit	485037-001

Before removing the hard drive, follow these steps:

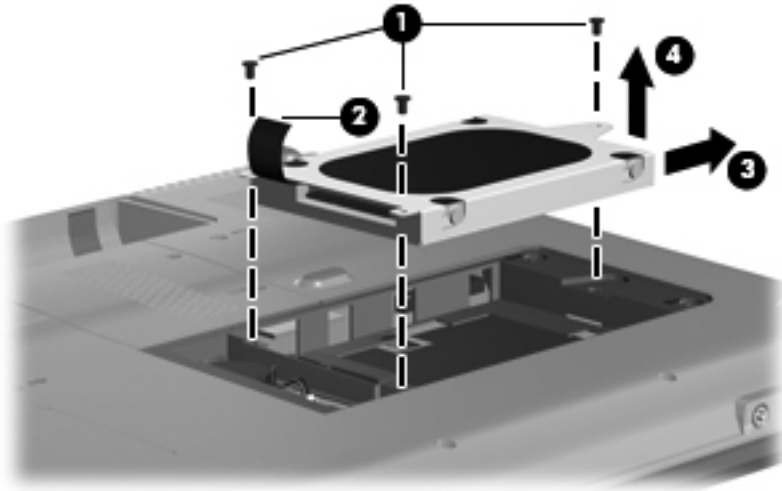
1. Shut down the computer. If you are unsure whether the computer is off or in Hibernation, turn the computer on, and then shut it down through the operating system.
2. Disconnect all external devices connected to the computer.
3. Disconnect the power from the computer by first unplugging the power cord from the AC outlet and then unplugging the AC adapter from the computer.
4. Remove the battery (see “[Battery](#)” on page 4-6).

Remove the hard drive:

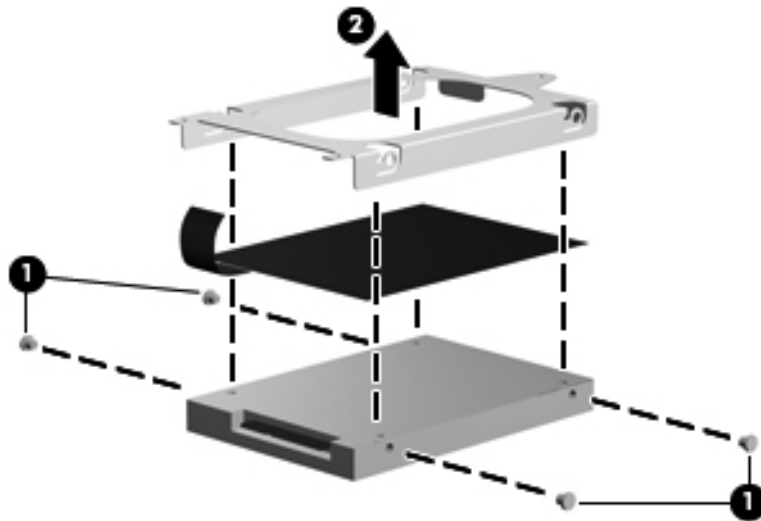
1. Loosen the two Phillips PM2.0×5.0 captive screws ❶ that secure the hard drive cover to the computer.
2. Lift the right side of the hard drive cover ❷, swing it up and to the left, and remove the cover. The hard drive cover is included in the Plastics Kit, spare part number 489112-001.



3. Remove the three Phillips PM2.0×4.5 screws ❶ that secure the hard drive to the computer.
4. Grasp the Mylar tab ❷ on the hard drive, and then slide the hard drive ❸ to the right to disconnect it from the system board.
5. Remove the hard drive ❹ from the hard drive bay.



6. If it is necessary to replace the hard drive bracket, remove the two Phillips PM2.0×4.0 hard drive bracket screws ❶ from each side of the hard drive.
7. Lift the bracket ❷ straight up to remove it from the hard drive.



Reverse this procedure to reassemble and install the hard drive.

## RTC battery



Removing the RTC battery and leaving it uninstalled for 5 or more minutes causes all passwords and CMOS settings to be cleared.

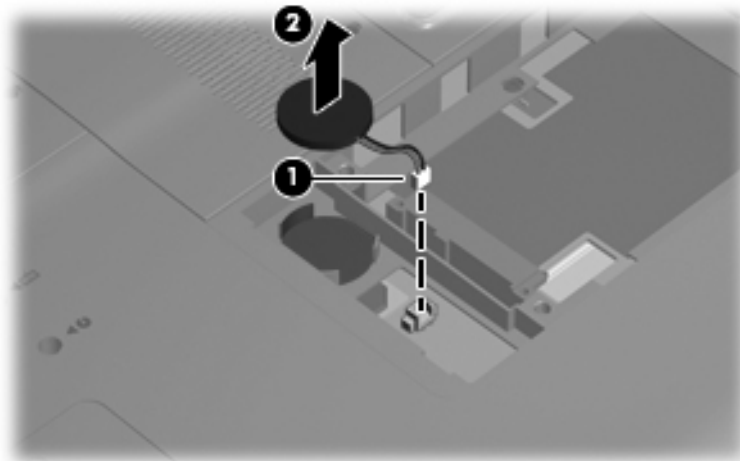
Description	Spare part number
RTC battery	501587-001

Before removing the RTC battery, follow these steps:

1. Shut down the computer. If you are unsure whether the computer is off or in Hibernation, turn the computer on, and then shut it down through the operating system.
2. Disconnect all external devices connected to the computer.
3. Disconnect the power from the computer by first unplugging the power cord from the AC outlet and then unplugging the AC adapter from the computer.
4. Remove the battery (see [“Battery” on page 4-6](#)).
5. Remove the hard drive cover (see [“Hard drive” on page 4-9](#)).

Remove the RTC battery:

1. Disconnect the RTC battery cable ❶ from the system board.
2. Remove the RTC battery ❷ from the clip built into the base enclosure. The RTC battery is attached to the system board with double-sided tape.



Reverse this procedure to install the RTC battery.

## Memory module

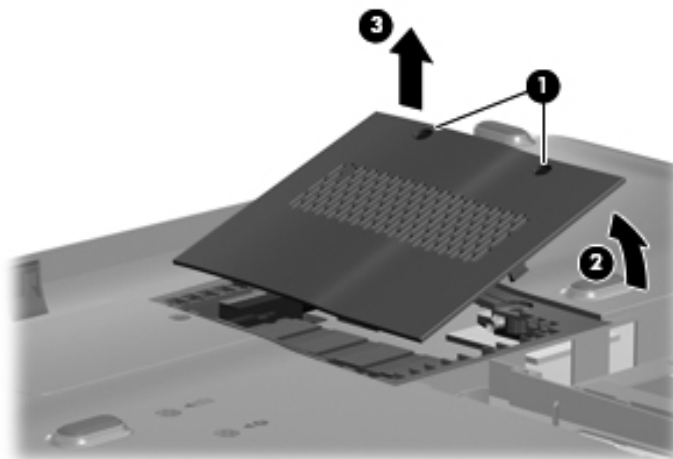
Description	Spare part number
Memory module, 512-MB, PC2-5300	485028-003
Memory module, 1024-MB, PC2-5300	485029-003
Memory module, 2048-MB, PC2-5300	485030-003
Memory module, 512-MB, PC2-6400	485031-003
Memory module, 1024-MB, PC2-6400	485032-003
Memory module, 2048-MB, PC2-6400	485033-003

Before removing the memory module, follow these steps:

1. Shut down the computer. If you are unsure whether the computer is off or in Hibernation, turn the computer on, and then shut it down through the operating system.
2. Disconnect all external devices connected to the computer.
3. Disconnect the power from the computer by first unplugging the power cord from the AC outlet and then unplugging the AC adapter from the computer.
4. Remove the battery (see [“Battery” on page 4-6](#)).

Remove the memory module:

1. Loosen the two Phillips PM2.0x5.0 captive screws ❶ that secure the memory module compartment cover to the computer.
2. Lift the right side of the cover ❷, swing it up and to the left, and remove the cover ❸. The memory module compartment cover is included in the Plastics Kit, spare part number 489112-001.

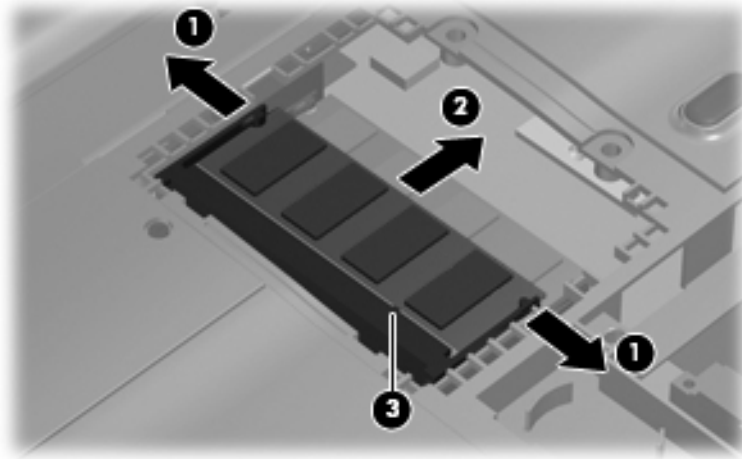




3. Spread the retaining tabs **1** on each side of the memory module slot to release the memory module. (The edge of the module opposite the slot rises away from the computer.)
4. Remove the memory module **2** by pulling the module away from the slot at an angle.



Memory modules are designed with a notch **3** to prevent incorrect installation into the memory module slot.



Reverse this procedure to install a memory module.

## WLAN module



**CAUTION:** The WLAN module and the WWAN module are not interchangeable.

Description	Spare part number
Atheros AR2425 802.11 b/g WLAN module	49339-001
Atheros AR2425 802.11 b/g WLAN module	459339-002
Broadcom BCM4312 802.11 b/g WLAN module	459263-001
Broadcom BCM4312 802.11 b/g WLAN module	459263-002
Intel Wi-Fi Link 5100 802.11 a/b/g/n	480985-001
Atheros AR9280 802.11 a/b/g/n WLAN module	482260-001
Atheros AR9280 802.11 a/b/g/n WLAN module	482260-002
Intel Wi-Fi Link 5100 802.11 a/b/g	482957-001

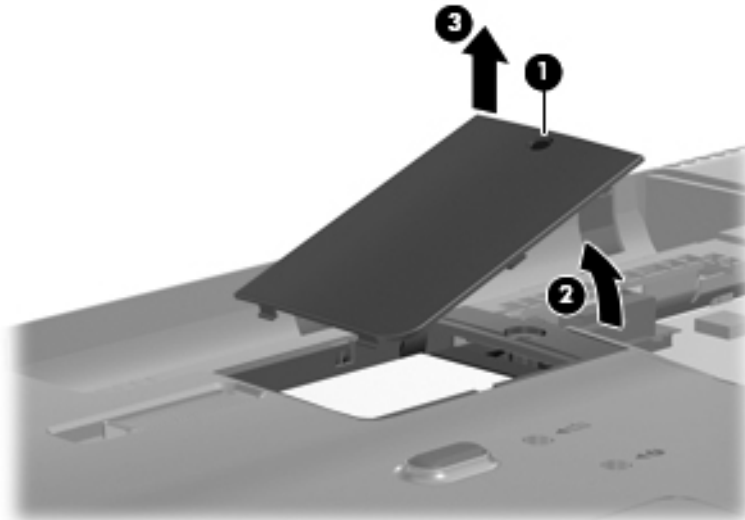
Before removing the WLAN module, follow these steps:

1. Shut down the computer. If you are unsure whether the computer is off or in Hibernation, turn the computer on, and then shut it down through the operating system.
2. Disconnect all external devices connected to the computer.
3. Disconnect the power from the computer by first unplugging the power cord from the AC outlet and then unplugging the AC adapter from the computer.
4. Remove the battery (see [“Battery” on page 4-6](#)).

Remove the WLAN module:

1. Remove the WLAN module cover:

- a. Loosen the Phillips PM2.0X5.0 captive screw ❶ that secures the WLAN module component cover to the computer.
- b. Lift the right side of the WLAN module cover ❷, swing it to the left, and remove it ❸. The WLAN module cover is included in the Plastics Kit, spare part number 489112-001.




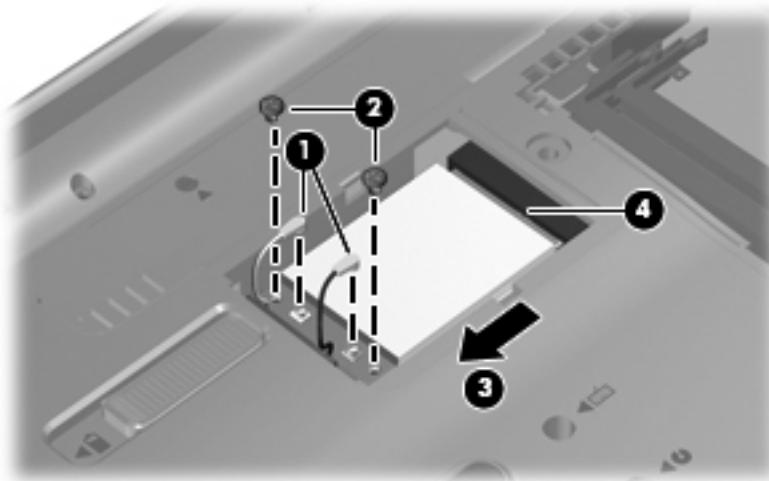
2. Disconnect the two antenna cables ❶ from the wireless module.

 The black WLAN antenna cable is connected to the WLAN module “Main” terminal. The white WLAN antenna cable is connected to the WLAN module “Aux” terminal.

3. Remove the two Phillips PM2.0x4.5 screws ❷ that secure the WLAN module to the computer. (The edge of the module opposite the slot rises away from the computer.)

4. Remove the WLAN module ❸ by pulling the module away from the slot at an angle.

 WLAN modules are designed with a notch ❹ to prevent incorrect installation.



Reverse this procedure to install the WLAN module.

## Keyboard

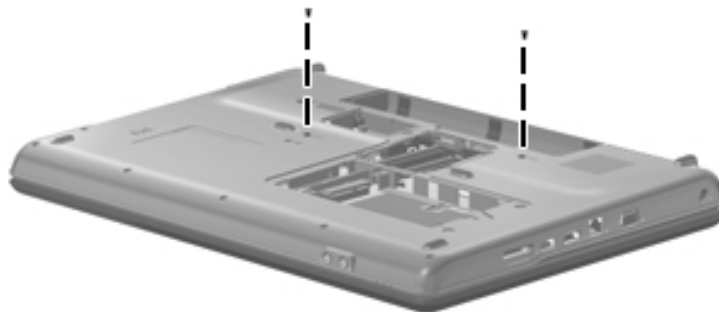
Description	Spare part number
Keyboard for use in Belgium	485424-181
Keyboard for use in the Czech Republic	485424-221
Keyboard for use in Canada	485424-121
Keyboard for use in France	485424-051
Keyboard for use in Germany	485424-041
Keyboard for use in Greece	485424-151
Keyboard for international use	485424-B31
Keyboard for use in Israel	485424-BB1
Keyboard for use in Italy	485424-061
Keyboard for use in South Korea	485424-AD1
Keyboard for use in Latin America	485424-161
Keyboard for use in Denmark, Finland, and Norway	485424-DH1
Keyboard for use in Portugal	485424-131
Keyboard for use in Russia	485424-251
Keyboard for use in Saudi Arabia	485424-171
Keyboard for use in Spain	485424-071
Keyboard for use in Switzerland	485424-111
Keyboard for use in Thailand	485424-281
Keyboard for use in Turkey	485424-141
Keyboard for use in the United Kingdom	485424-031
Keyboard for use in the United States	485424-001

Before removing the keyboard, follow these steps:

1. Shut down the computer. If you are unsure whether the computer is off or in Hibernation, turn the computer on, and then shut it down through the operating system.
2. Disconnect all external devices connected to the computer.
3. Disconnect the power from the computer by first unplugging the power cord from the AC outlet and then unplugging the AC adapter from the computer.
4. Remove the battery (see [“Battery” on page 4-6](#)).

Remove the keyboard:

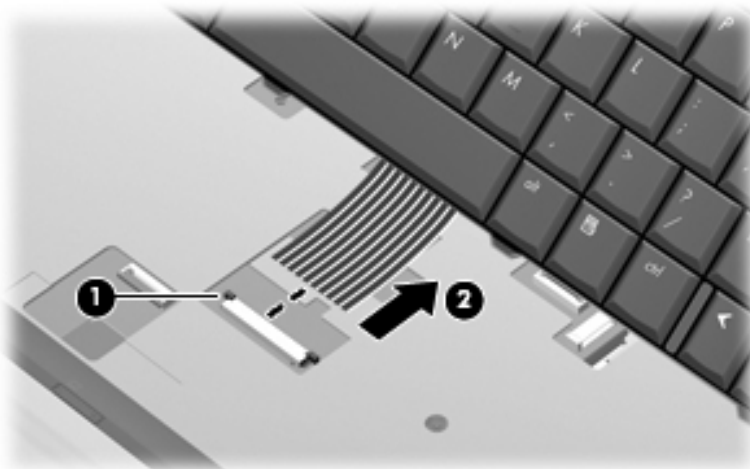
1. Turn the computer upside down, with the front toward you.
2. Remove the two Phillips PM2.0×5.0 screws that secure the keyboard to the computer.



3. Turn the computer display-side up, with the front toward you.
4. Open the computer as far as possible.
5. Release the tabs ❶ along the right and left edges of the keyboard.
6. Lift the rear edge of the keyboard ❷, and then slide it back until it rests on the display.



7. Release the zero insertion force (ZIF) connector ❶ to which the keyboard cable is attached, and then disconnect the keyboard cable ❷ from the system board.



8. Remove the keyboard.
- Reverse this procedure to install the keyboard.

## Keyboard cover

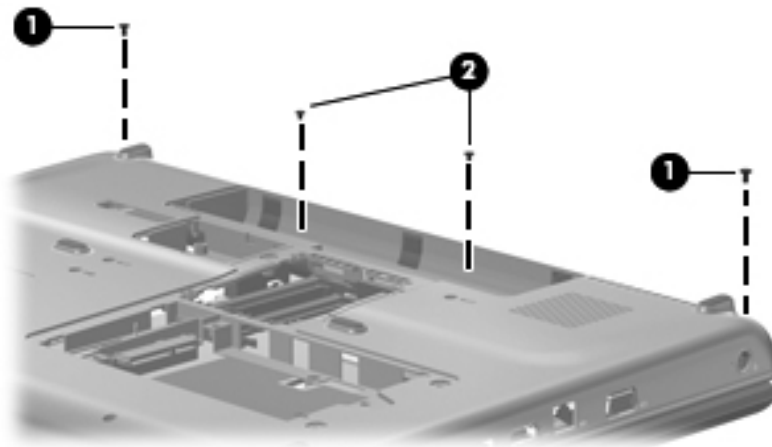
Description	Spare part number
Keyboard cover	489115-001

Before removing the keyboard cover, follow these steps:

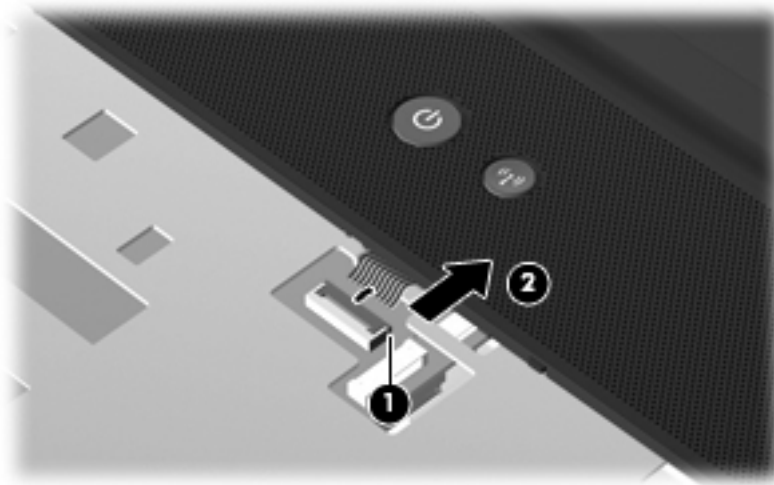
1. Shut down the computer. If you are unsure whether the computer is off or in Hibernation, turn the computer on, and then shut it down through the operating system.
2. Disconnect all external devices connected to the computer.
3. Disconnect the power from the computer by first unplugging the power cord from the AC outlet and then unplugging the AC adapter from the computer.
4. Remove the battery (see [“Battery” on page 4-6](#)).
5. Remove the keyboard (see [“Keyboard” on page 4-15](#)).

Remove the keyboard cover:

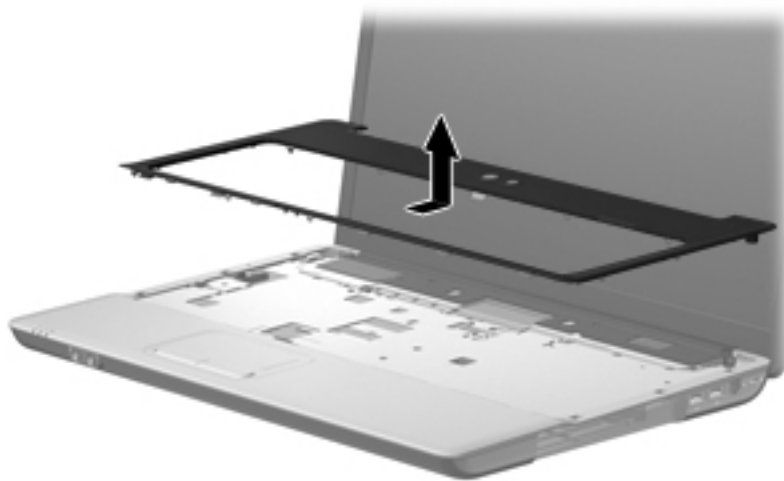
1. Remove the two Phillips PM2.0x9.0 screws **1** at the corners and the two Phillips PM1.5x3.0 screws **2** in the battery bay that secure the keyboard cover to the computer. The keyboard cover screws are identified by a triangle icon.



2. Turn the computer display-side up, with the front toward you.
3. Open the computer as far as possible.
4. Release the ZIF connector ❶ to which the power button board cable is attached, and disconnect the power button board cable ❷ from the system board.



5. Slide the keyboard cover toward the display pael until it disengages form the top cover, and then lift up to remove the keyboard cover.



Reverse this procedure to install the keyboard cover.

## Power button board

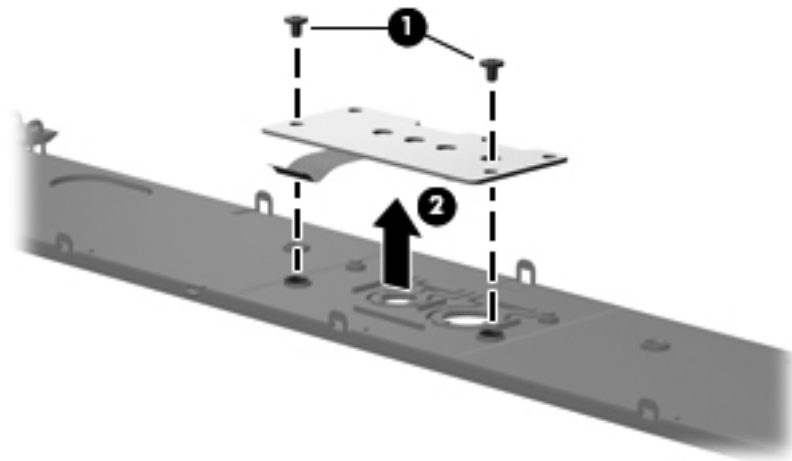
Description	Spare part number
Power button board	489116-001

Before removing the display assembly, follow these steps:

1. Shut down the computer. If you are unsure whether the computer is off or in Hibernation, turn the computer on, and then shut it down through the operating system.
2. Disconnect all external devices connected to the computer.
3. Disconnect the power from the computer by first unplugging the power cord from the AC outlet and then unplugging the AC adapter from the computer.
4. Remove the battery (see [“Battery” on page 4-6](#)).
5. Disconnect the wireless antenna cables from the WLAN module (see [“WLAN module” on page 4-13](#)).
6. Remove the keyboard (see [“Keyboard” on page 4-15](#)).
7. Remove the keyboard cover (see [“Keyboard cover” on page 4-17](#)).

Remove the power button board:

8. Remove the two Phillips PM1.5x3.0 screws ❶ that secure the power button board to the keyboard cover.
9. Remove the power button board ❷.



Reverse this procedure to install the power button board.

## Display assembly

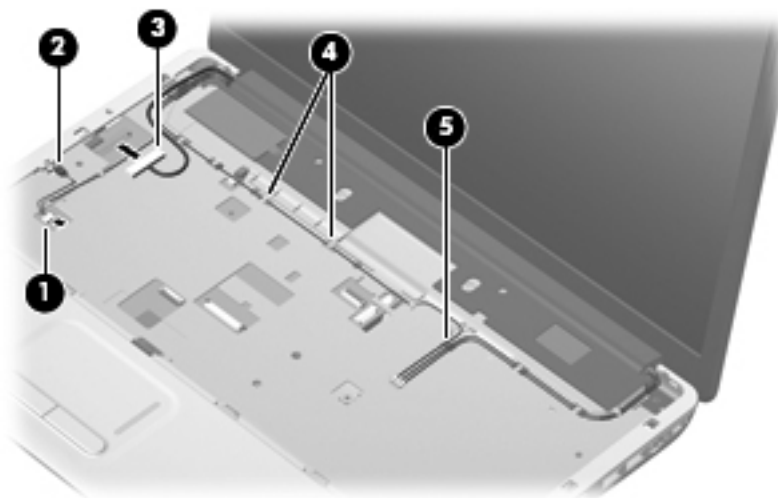
Description	Spare part number
17-inch WXGA display assembly with webcam	485418-001

Before removing the display assembly, follow these steps:

1. Shut down the computer. If you are unsure whether the computer is off or in Hibernation, turn the computer on, and then shut it down through the operating system.
2. Disconnect all external devices connected to the computer.
3. Disconnect the power from the computer by first unplugging the power cord from the AC outlet and then unplugging the AC adapter from the computer.
4. Remove the battery (see [“Battery” on page 4-6](#)).
5. Disconnect the wireless antenna cables from the WLAN module (see [“WLAN module” on page 4-13](#)).
6. Remove the keyboard (see [“Keyboard” on page 4-15](#)).
7. Remove the keyboard cover (see [“Keyboard cover” on page 4-17](#)).

Remove the display assembly:

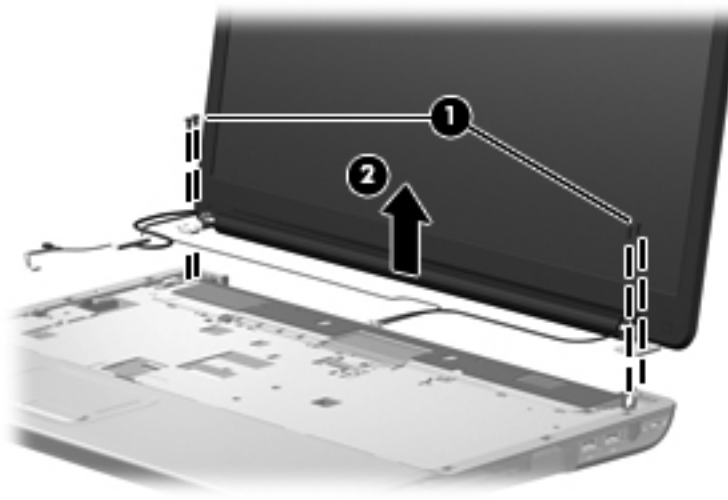
1. Disconnect the microphone cable ❶ from the system board and release it from the clips that attach it to the top cover.
2. Remove the caps lock LED ❷ from its mounting clips on the top cover.
3. Disconnect the display panel cable ❸ from the system board and make sure that the cable is out of its routing channel.
4. Pull the WLAN antenna cables ❹ through the opening in the top cover and release the cables ❺ from the clips in the top cover.



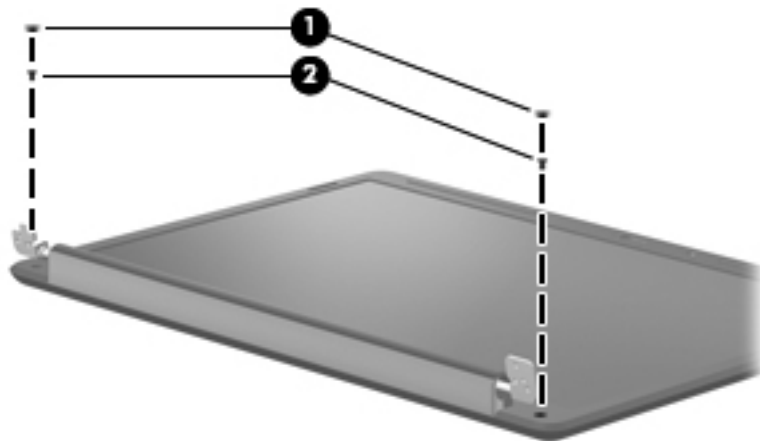
**CAUTION:** The display will be unsupported when the following screws are removed. To prevent damage to the display assembly, support it before removing the screws.



5. Remove the four Phillips PM2.0x9.0 screws ❶ securing the display hinges to the computer.
6. Remove the display panel ❷.



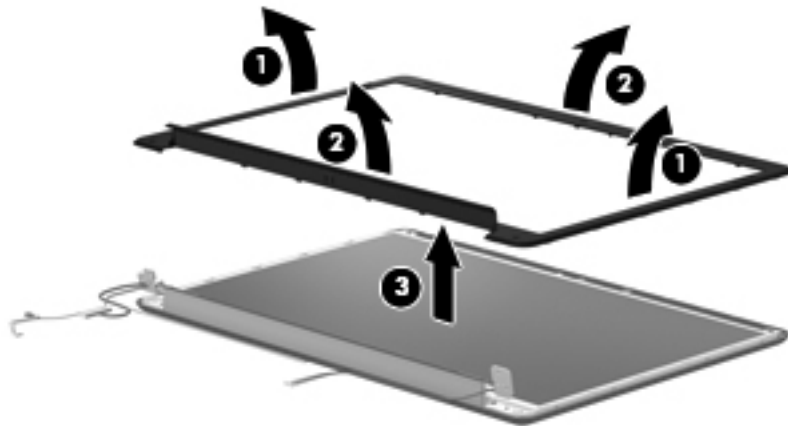
7. If it is necessary to replace the display bezel or any of the display assembly internal components, remove the following screw covers and screws:
  - ❶ Two rubber screw covers on the display bezel button edge. The display rubber screw covers are included in the Display Rubber Kit, spare part number 489107-001.
  - ❷ Two Phillips PM2.0x7.0 screws on the display bezel bottom edge.



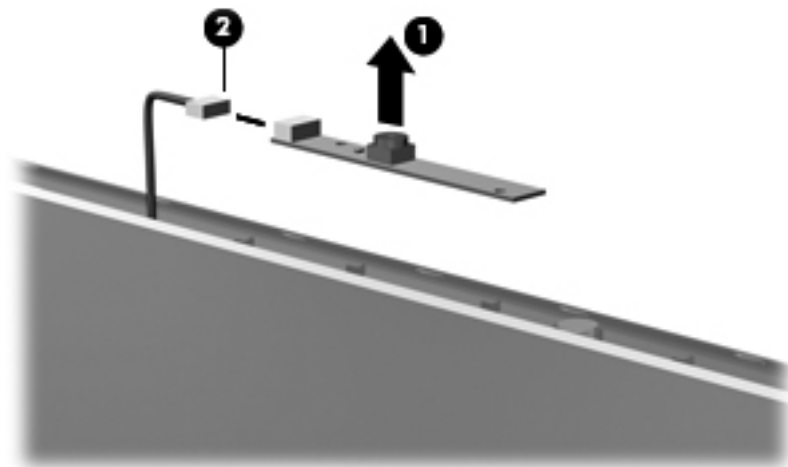
8. Flex the inside edges of the left and right sides ❶ and the top and bottom sides ❷ of the display bezel until the bezel disengages from the display enclosure.
9. Remove the display bezel ❸.

The following display bezels are available:

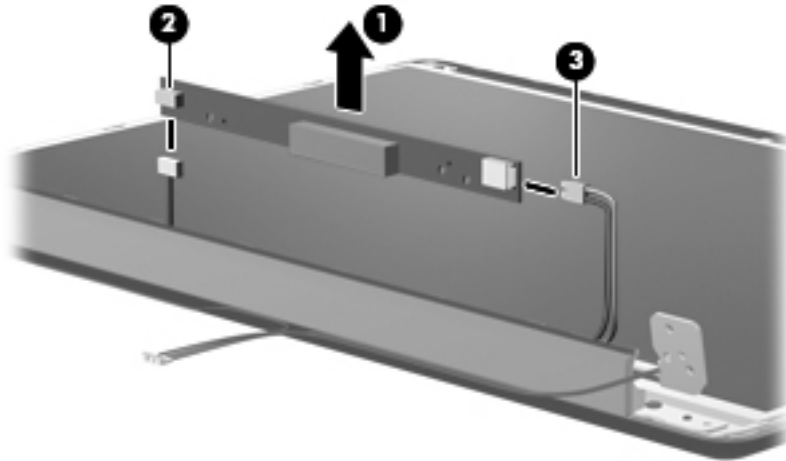
- ❑ For use only with HP G70 computer models equipped with a webcam module, spare part number 488386-001.
- ❑ For use only with Presario CQ70 computer models equipped with a webcam module, spare part number 488389-001.



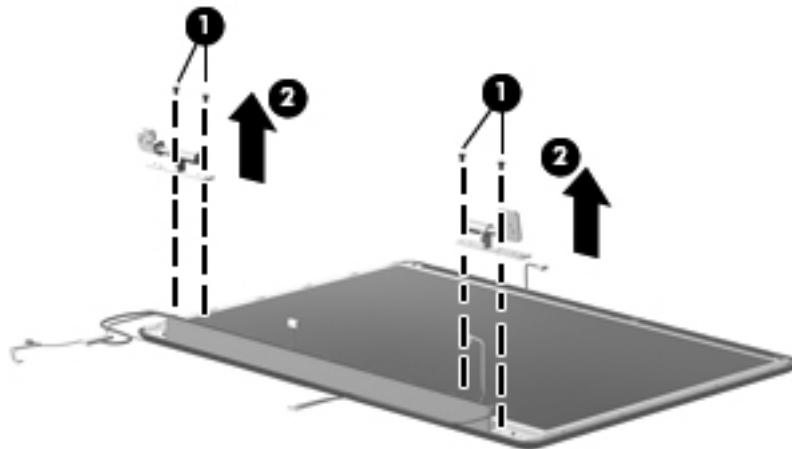
10. If it is necessary to replace the webcam module, release the webcam module ❶ as far from the display enclosure as the webcam module cable allows.
11. Disconnect the webcam module cable ❷ from the webcam module, and remove the webcam module. The webcam module is available using spare part number 488385-001.



12. If it is necessary to replace the display inverter, release the display inverter ❶, located at the bottom edge of the display assembly, from its mounting clips.
13. Disconnect the display panel cable ❷ and the back light cable ❸ from the display inverter, and remove the display inverter from the display enclosure. The display inverter is available using spare part number 486556-001.



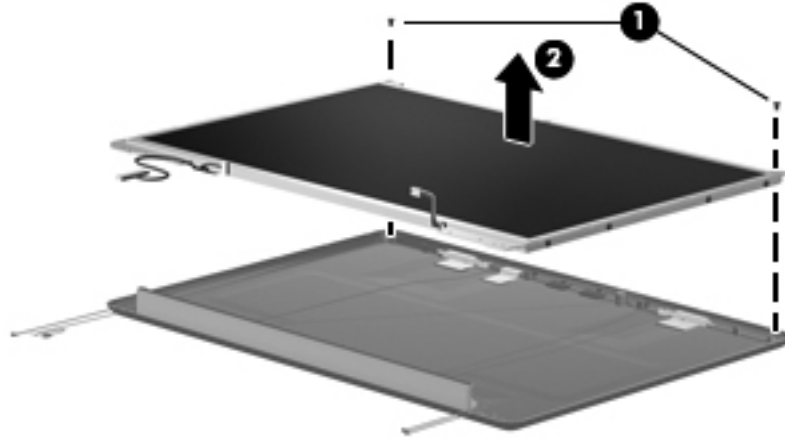
14. If it is necessary to replace the display hinges, remove the two Phillips PM2.0x7.0 screws ❶ that secure each hinge to the display enclosure.
15. Remove the display hinges ❷. The display hinges are available in the Display Hinge Kit, spare part number 488384-001.



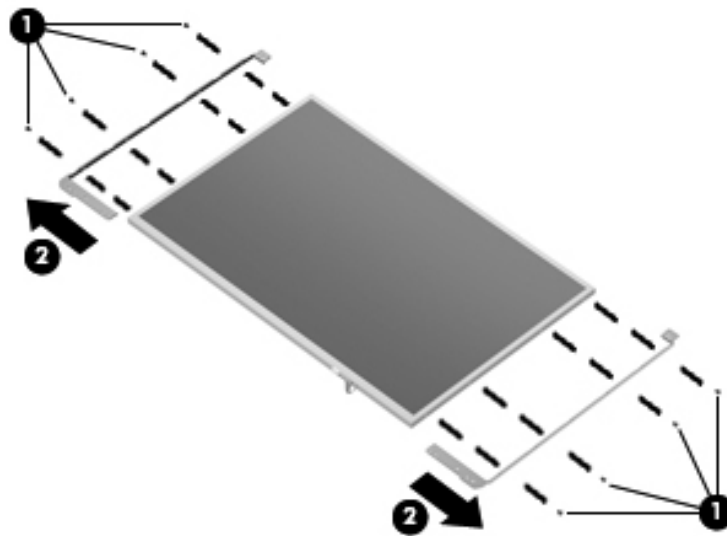
16. If it is necessary to replace the display panel, remove the two Phillips PM2.0x7.0 screws ❶ that secure the display panel to the display enclosure.
17. Remove the display panel ❷ from the display enclosure.

The following display panels are available:

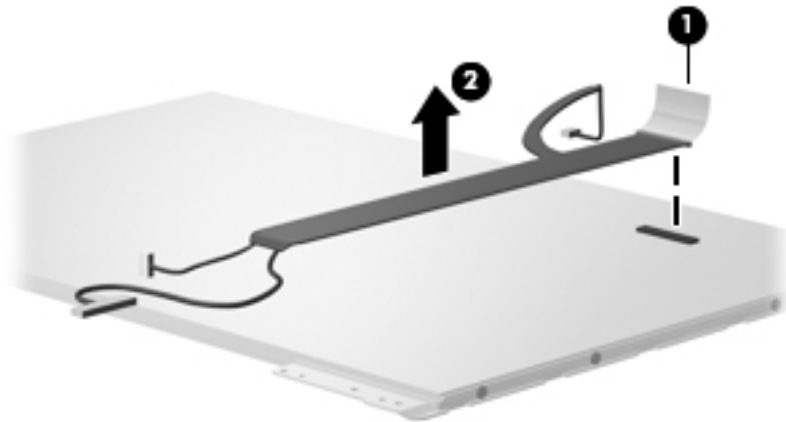
- ❑ For use only with HP G70 computer models equipped with a webcam module, spare part number 488377-001.
- ❑ For use only with Presario CQ70 computer models equipped with a webcam module, spare part number 485420-001.



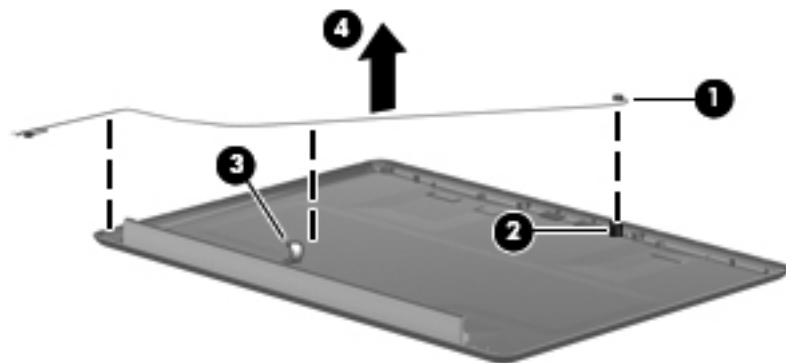
18. If it is necessary to replace the display panel brackets, remove the four Phillips PM1.5x3.0 screws ❶ that secure each bracket to the display panel.
19. Remove the display panel brackets ❷ from the display panel. The display panel brackets are available using spare part number 488378-001.



20. If it is necessary to replace the display panel cable, which is attached to the back of the display panel with clear adhesive tape, remove the tape ❶ to release the cable from its connector. The display panel cable includes the camera module cable. The display panel cable with webcam cable is available using spare part number 489110-001.
21. Remove display panel cable ❷.



22. If it is necessary to replace the microphone, release the microphone from its mounting clip ❶. The mounting clip is at the top of the display enclosure and the microphone cable is routed through the left hinge opening. The microphone is held by a clip ❷ at the top of the display enclosure. The microphone with cable is available using spare part number 489109-001.
23. Release the microphone cord from the foil tab ❸.
24. Remove the microphone and cable ❹.



Reverse this procedure to reassemble and install the display assembly.

## Top cover

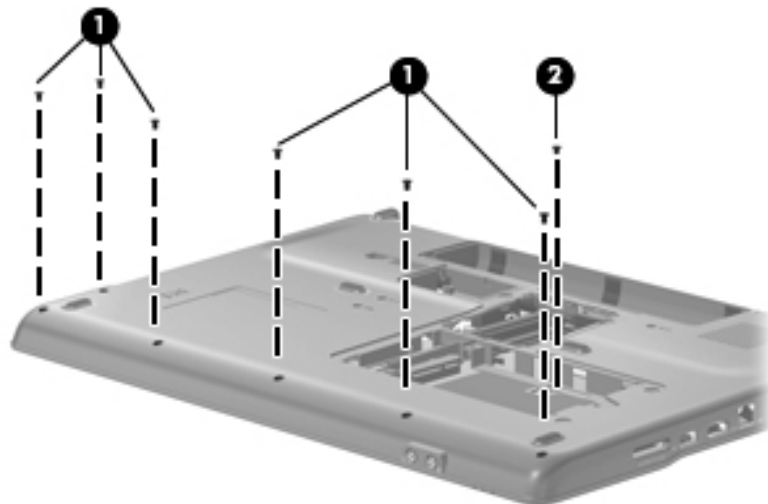
Description	Spare part number
Top cover	489117-001

Before removing the top cover, follow these steps:

1. Shut down the computer. If you are unsure whether the computer is off or in Hibernation, turn the computer on, and then shut it down through the operating system.
2. Disconnect all external devices connected to the computer.
3. Disconnect the power from the computer by first unplugging the power cord from the AC outlet and then unplugging the AC adapter from the computer.
4. Remove the battery (see [“Battery” on page 4-6](#)).
5. Remove the following components:
  - a. Optical drive (see [“Optical drive” on page 4-7](#))
  - b. Hard drive (see [“Hard drive” on page 4-9](#))
  - c. Keyboard (see [“Keyboard” on page 4-15](#))
  - d. Keyboard cover (see [“Keyboard cover” on page 4-17](#))
  - e. Power button board (see [“Power button board” on page 4-19](#))
  - f. Display assembly (see [“Display assembly” on page 4-20](#))

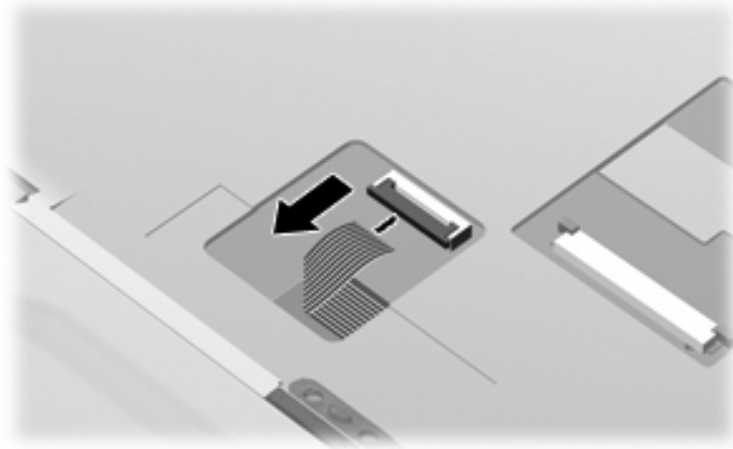
Remove the top cover:

1. Turn the computer upside down, with the front toward you.
2. Remove the six Phillips PM2.0X9.0 screws **1** that secure the top cover to the computer.
3. Remove the Phillips PM2.0x5.0 screw **2**.

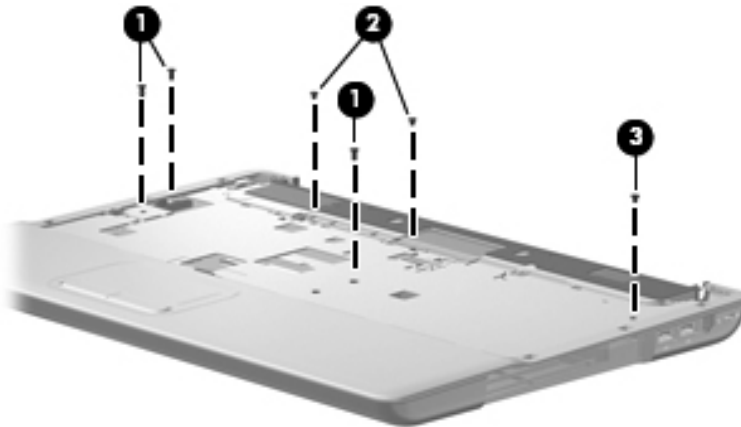


4. Turn the computer right side up, with the front facing you.

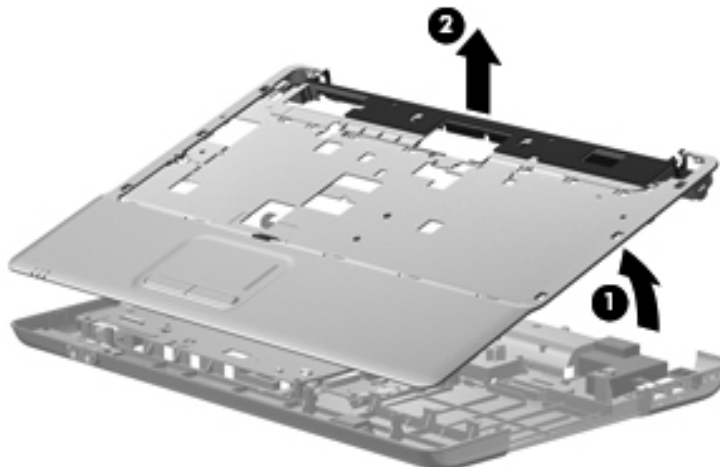
5. Release the ZIF connector to which the TouchPad cable is attached, and disconnect the TouchPad cable from the system board.



6. Remove the following screws:
  - a. Three Phillips PM2.5x9.0 screws ❶
  - b. Two Phillips PM2.5x5.0 screws ❷
  - c. One Phillips PM2.0x6.0 screw ❸



7. Lift the rear edge of the top cover ❶ until the top cover disengages from the base enclosure.
8. Remove the top cover ❷.



Reverse this procedure to install the top cover.

## TouchPad on/off button board and board bracket

Description	Spare Parts Number
TouchPad board bracket	489119-001
TouchPad on/off button board (includes cables)	489118-001

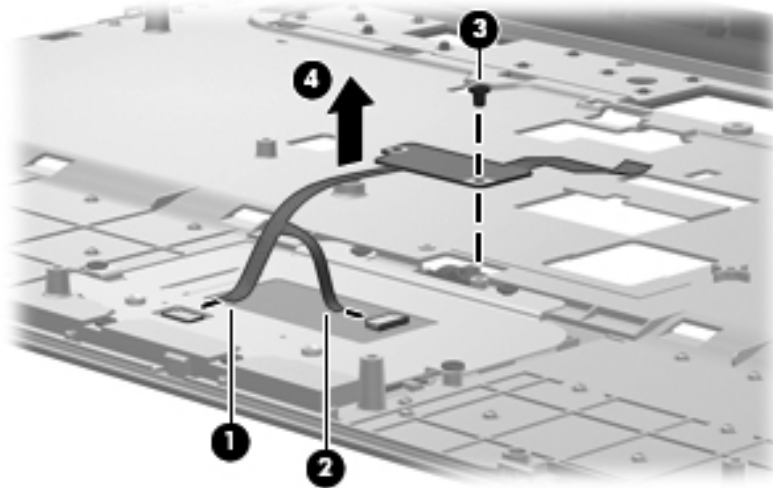
Before removing the TouchPad on/off button board, follow these steps:

1. Shut down the computer. If you are unsure whether the computer is off or in Hibernation, turn the computer on, and then shut it down through the operating system.
2. Disconnect all external devices connected to the computer.
3. Disconnect the power from the computer by first unplugging the power cord from the AC outlet and then unplugging the AC adapter from the computer.
4. Remove the battery (see [“Battery” on page 4-6](#)).
5. Remove the following components:
  - a. Optical drive (see [“Optical drive” on page 4-7](#))
  - b. Hard drive (see [“Hard drive” on page 4-9](#))
  - c. Keyboard (see [“Keyboard” on page 4-15](#))
  - d. Keyboard cover (see [“Keyboard cover” on page 4-17](#))
  - e. Power button board (see [“Power button board” on page 4-19](#))
  - f. Display assembly (see [“Display assembly” on page 4-20](#))

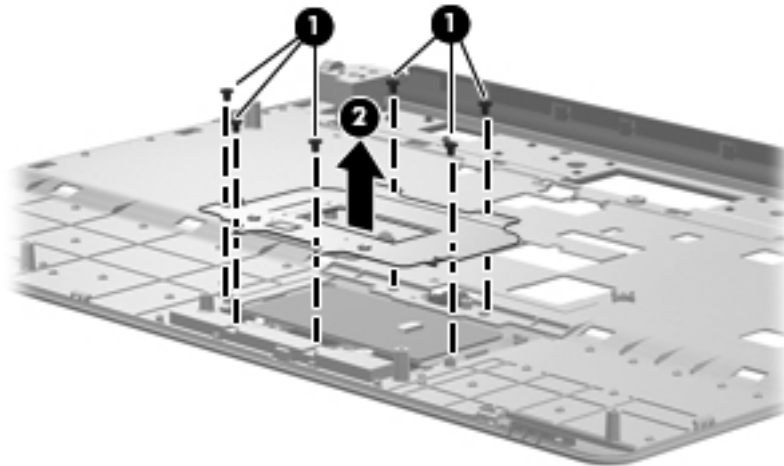


Remove the TouchPad on/off button board and board bracket:

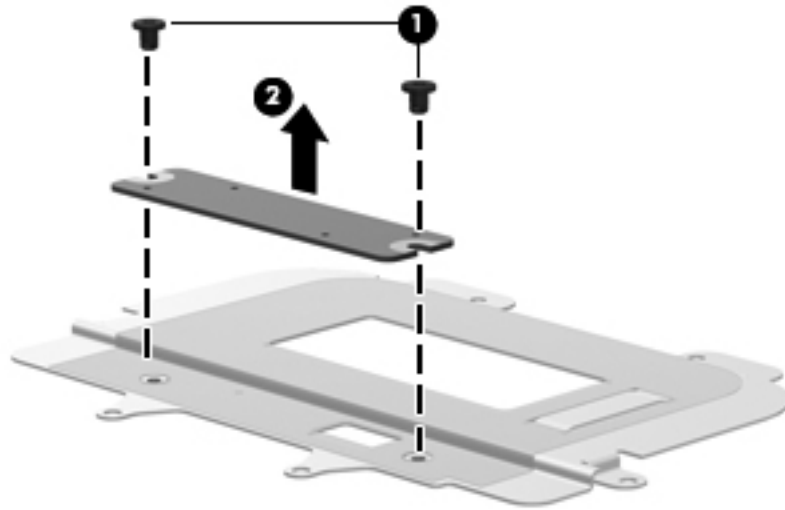
1. Turn the top cover upside down, with the front toward you.
2. Release the ZIF connector on the TouchPad button board to which the TouchPad on/off board cable is attached, and then disconnect the TouchPad on/off board cable ❶ from the TouchPad button board.
3. Release the ZIF connector on the TouchPad board to which the TouchPad on/off board cable is attached, and disconnect the TouchPad on/off board cable ❷ from the TouchPad board.
4. Remove the Phillips PM1.5x3.0 screw ❸ securing the TouchPad on/off button board.
5. Single-sided and double-sided tape is used to help secure the TouchPad on/off button board to the TouchPad board bracket. Release the on/off button board from the tape, and then remove the TouchPad on/off button board ❹.



6. Six Phillips PM1.5x3.0 screws secure the TouchPad board bracket to the base enclosure. Remove these six screws ❶, and then remove the TouchPad board bracket ❷.



7. Remove the two Phillips PM1.5x3.0 screws ❶ that secure the switch actuator to the TouchPad board bracket, and then remove the actuator ❷.



The TouchPad is glued to the top cover and is included with the top cover spare part.

---

Reverse this procedure to install the TouchPad on/off button board and board bracket.

## Audio board

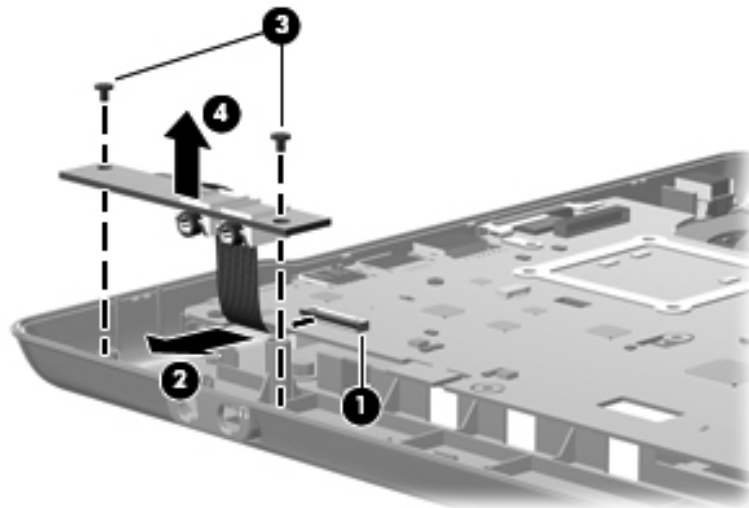
Description	Spare Part Number
Audio board	489120-001

Before removing the audio board, follow these steps:

1. Shut down the computer. If you are unsure whether the computer is off or in Hibernation, turn the computer on, and then shut it down through the operating system.
2. Disconnect all external devices connected to the computer.
3. Disconnect the power from the computer by first unplugging the power cord from the AC outlet and then unplugging the AC adapter from the computer.
4. Remove the battery (see [“Battery” on page 4-6](#)).
5. Remove the following components:
  - a. Optical drive (see [“Optical drive” on page 4-7](#))
  - b. Hard drive (see [“Hard drive” on page 4-9](#))
  - c. Keyboard (see [“Keyboard” on page 4-15](#))
  - d. Keyboard cover (see [“Keyboard cover” on page 4-17](#))
  - e. Power button board (see [“Power button board” on page 4-19](#))
  - f. Display assembly (see [“Display assembly” on page 4-20](#))

Remove the audio board:

1. Release the ZIF connector **1** to which the audio board cable is attached, and disconnect the audio board cable **2** from the system board.
2. Remove the two Phillips PM2.0×5.0 screws **3** that secure the audio board to the base enclosure.
3. Remove the audio board **4**.



Reverse this procedure to install the audio board.

## Bluetooth module

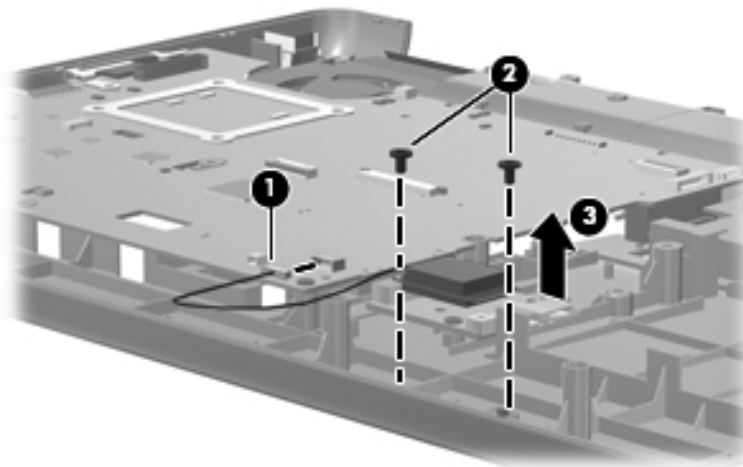
Description	Spare Part Number
Bluetooth module	483113-001
Bluetooth cable	489121-001

Before removing the Bluetooth module, follow these steps:

1. Shut down the computer. If you are unsure whether the computer is off or in Hibernation, turn the computer on, and then shut it down through the operating system.
2. Disconnect all external devices connected to the computer.
3. Disconnect the power from the computer by first unplugging the power cord from the AC outlet and then unplugging the AC adapter from the computer.
4. Remove the battery (see “[Battery](#)” on page 4-6).
5. Remove the following components:
  - a. Optical drive (see “[Optical drive](#)” on page 4-7)
  - b. Hard drive (see “[Hard drive](#)” on page 4-9)
  - c. Keyboard (see “[Keyboard](#)” on page 4-15)
  - d. Keyboard cover (see “[Keyboard cover](#)” on page 4-17)
  - e. Power button board (see “[Power button board](#)” on page 4-19)
  - f. Display assembly (see “[Display assembly](#)” on page 4-20)
  - g. Top cover (see “[Top cover](#)” on page 4-26)

Remove the Bluetooth module:

1. Disconnect the Bluetooth module cable ❶ from the system board. The Bluetooth cable is available using spare part number 489121-001.
2. Remove the two Phillips PM2.5×3.5 screws ❷ that secure the Bluetooth module to the base enclosure.
3. Remove the Bluetooth module ❸.



Reverse this procedure to install the Bluetooth module.

## Speakers

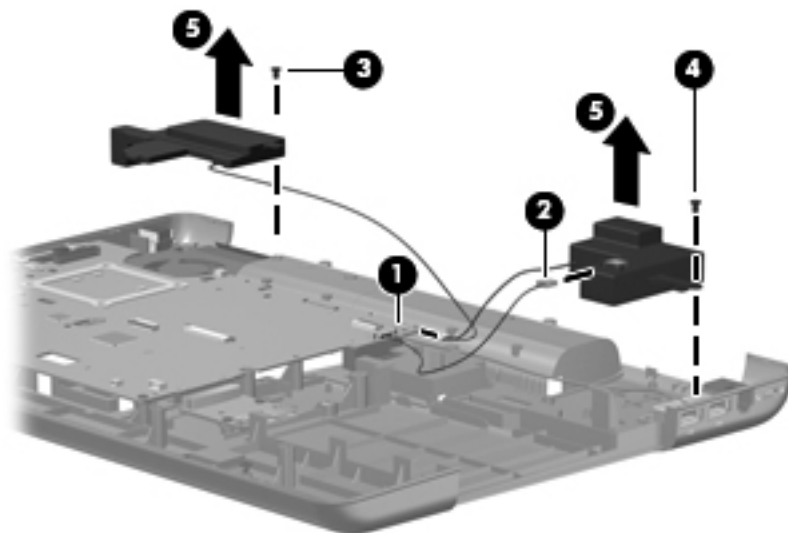
Description	Spare Part Number
Speakers	488383-001

Before removing the speakers, follow these steps:

1. Shut down the computer. If you are unsure whether the computer is off or in Hibernation, turn the computer on, and then shut it down through the operating system.
2. Disconnect all external devices connected to the computer.
3. Disconnect the power from the computer by first unplugging the power cord from the AC outlet and then unplugging the AC adapter from the computer.
4. Remove the battery (see [“Battery” on page 4-6](#)).
5. Remove the following components:
  - a. Optical drive (see [“Optical drive” on page 4-7](#))
  - b. Hard drive (see [“Hard drive” on page 4-9](#))
  - c. Keyboard (see [“Keyboard” on page 4-15](#))
  - d. Keyboard cover (see [“Keyboard cover” on page 4-17](#))
  - e. Power button board (see [“Power button board” on page 4-19](#))
  - f. Display assembly (see [“Display assembly” on page 4-20](#))
  - g. Top cover (see [“Top cover” on page 4-26](#))

Remove the speakers:

1. Disconnect the speaker cable from the system board ❶.
2. Disconnect the LED cable from the right speaker ❷.
3. Remove one screw from each speaker. A Phillips PM2.0x3.0 screw is on the left ❸, and a Phillips PM2.0x5.0 screw is on the right ❹.
4. Remove the speakers ❺.



Reverse this procedure to install the speakers.

## USB board

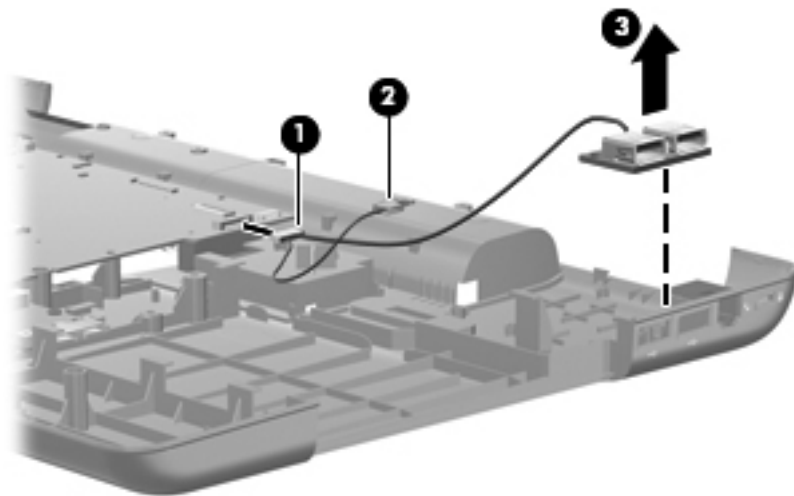
Description	Spare part number
USB board	486633-001
USB board cable (includes num lock LED)	489123-001

Before removing the USB board, follow these steps:

1. Shut down the computer. If you are unsure whether the computer is off or in Hibernation, turn the computer on, and then shut it down through the operating system.
2. Disconnect all external devices connected to the computer.
3. Disconnect the power from the computer by first unplugging the power cord from the AC outlet and then unplugging the AC adapter from the computer.
4. Remove the battery (see [“Battery” on page 4-6](#)).
5. Remove the following components:
  - a. Optical drive (see [“Optical drive” on page 4-7](#))
  - b. Hard drive (see [“Hard drive” on page 4-9](#))
  - c. Keyboard (see [“Keyboard” on page 4-15](#))
  - d. Keyboard cover (see [“Keyboard cover” on page 4-17](#))
  - e. Power button board (see [“Power button board” on page 4-19](#))
  - f. Display assembly (see [“Display assembly” on page 4-20](#))
  - g. Top cover (see [“Top cover” on page 4-26](#))

Remove the USB board:

1. Disconnect the USB board cable ❶ from the system board.
2. Disconnect the num lock LED cable ❷, and then remove the USB board ❸.



Reverse this procedure to install a USB board.

## System board



All system board spare part kits include UMA or discrete graphics subsystem memory, built-in modem, and replacement thermal material.

Description	Spare part number
UMA system board, GM45 with built-in modem, Digital Media Slot, and HDMI port	485218-001
UMA system board, GL40 with built-in modem, Digital Media Slot, and HDMI port	485219-001
Discrete system board, PM45 with built in modem, Digital Media Slot, and HDMI port	488338-001
UMA system board, GL40 with built-in modem and Digital Media Slot	494282-001
optical drive connector	489127-001

Before removing the system board, follow these steps:

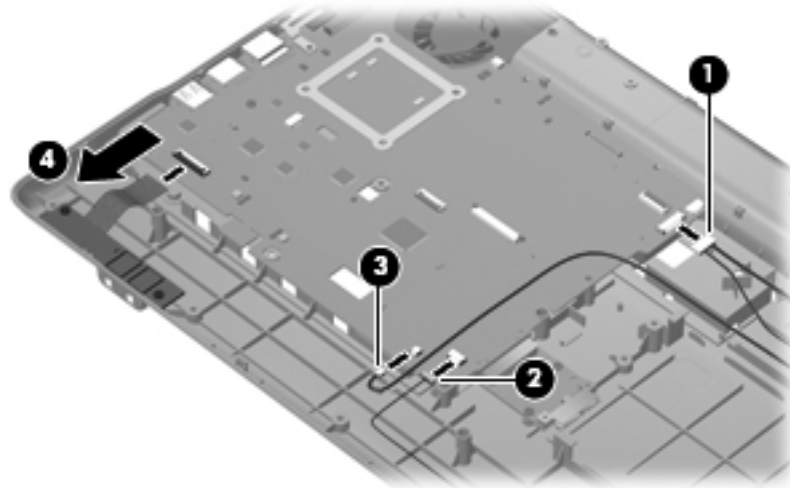
1. Shut down the computer. If you are unsure whether the computer is off or in Hibernation, turn the computer on, and then shut it down through the operating system.
2. Disconnect all external devices connected to the computer.
3. Disconnect the power from the computer by first unplugging the power cord from the AC outlet and then unplugging the AC adapter from the computer.
4. Remove the battery (see [“Battery” on page 4-6](#)).
5. Remove the following components:
  - a. Optical drive (see [“Optical drive” on page 4-7](#))
  - b. Hard drive (see [“Hard drive” on page 4-9](#))
  - c. Keyboard (see [“Keyboard” on page 4-15](#))
  - d. Keyboard cover (see [“Keyboard cover” on page 4-17](#))
  - e. Power button board (see [“Power button board” on page 4-19](#))
  - f. Display assembly (see [“Display assembly” on page 4-20](#))
  - g. Top cover (see [“Top cover” on page 4-26](#))

When replacing the system board, be sure that the following components are removed from the defective system board and installed on the replacement system board:

- RTC battery (see [“RTC battery” on page 4-11](#))
- Memory module (see [“Memory module” on page 4-12](#))
- WLAN module (see [“WLAN module” on page 4-13](#))
- Fan/heatsink (see [“Fan/heatsink assembly” on page 4-39](#))
- Processor (see [“Processor” on page 4-42](#))

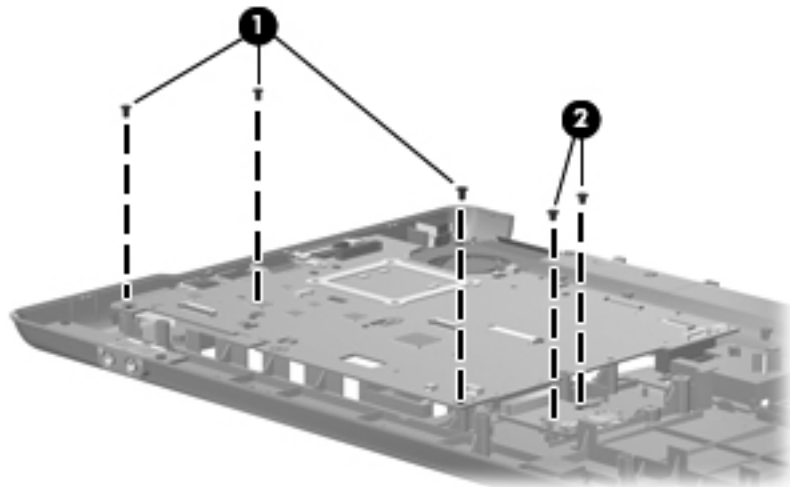
Remove the system board:

1. Disconnect the USB board cable ❶ from its mounting clip in the base enclosure.
2. Disconnect the Bluetooth cable ❷ from the system board.
3. Disconnect the modem module cable ❸ from the system board.
4. Disconnect the audio cable ❹ from the system board.



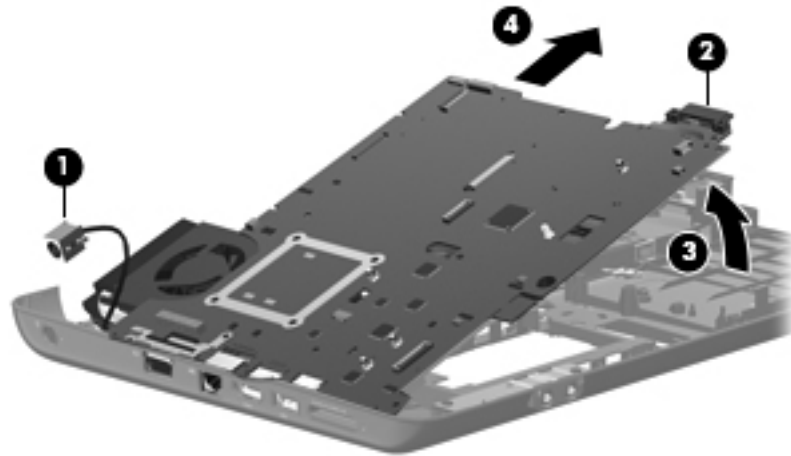
**CAUTION:** Do not attempt to disconnect the optical drive connector before removing the system board. Otherwise, you will damage the locator pin on the optical drive connector.

5. Remove the three Phillips PM2.5x9.0 screws ❶ that secure the system board.
6. Remove the two Phillips PM2.0x5.0 screws ❷ that secure the optical drive connector.

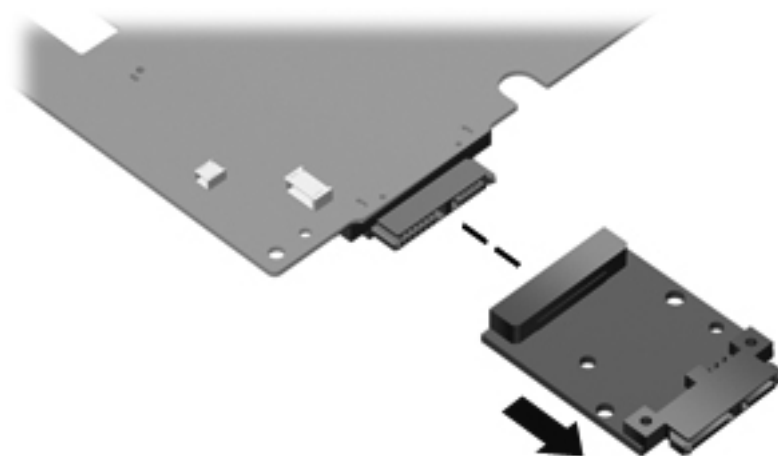




7. Release the power cable from the base enclosure ❶.
8. Use the optical drive connector ❷ to lift the right edge of the system board ❸ until it rests at an angle.
9. Remove the system board ❹ from the base enclosure by sliding it up and to the right at an angle.



10. Remove the optical drive connector from the system board.



Reverse this procedure to install the system board.

## Modem module cable

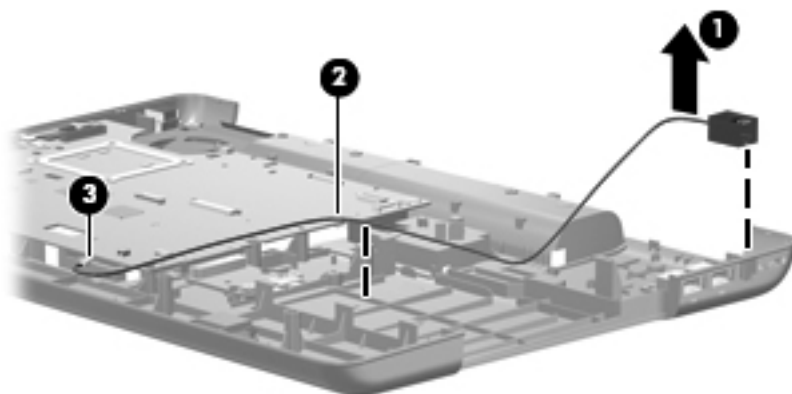
Description	Spare part number
Modem module cable	489125-001

Before removing the modem module cable, follow these steps:

1. Shut down the computer. If you are unsure whether the computer is off or in Hibernation, turn the computer on, and then shut it down through the operating system.
2. Disconnect all external devices connected to the computer.
3. Disconnect the power from the computer by first unplugging the power cord from the AC outlet and then unplugging the AC adapter from the computer.
4. Remove the battery (see [“Battery” on page 4-6](#)).
5. Remove the following components:
  - a. Optical drive (see [“Optical drive” on page 4-7](#))
  - b. Hard drive (see [“Hard drive” on page 4-9](#))
  - c. Keyboard (see [“Keyboard” on page 4-15](#))
  - d. Keyboard cover (see [“Keyboard cover” on page 4-17](#))
  - e. Power button board (see [“Power button board” on page 4-19](#))
  - f. Display assembly (see [“Display assembly” on page 4-20](#))
  - g. Top cover (see [“Top cover” on page 4-26](#))
  - h. Speakers (see [“Speakers” on page 4-33](#))
  - i. System board (see [“System board” on page 4-35](#))

Remove the modem module cable:

1. Remove the modem module cable from the clip ❶ built into the base enclosure.
2. Remove the modem module cable ❷ from the clips and routing channels built into the base enclosure ❸.



Reverse this procedure to install the modem module cable.

## Fan/heatsink assembly

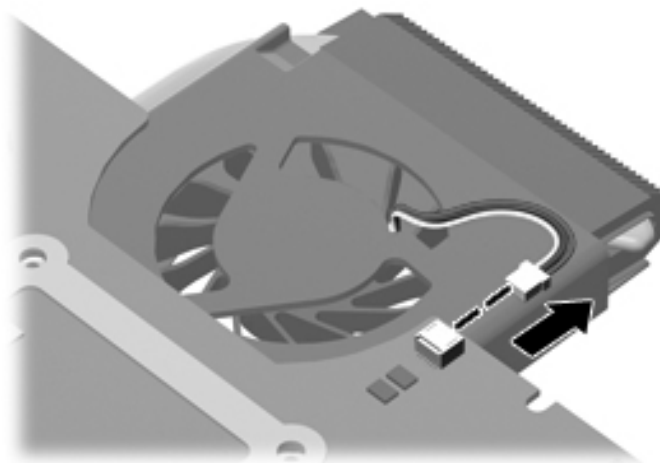
Description	Spare part number
Fan/heatsink assembly (includes replacement thermal material)	489126-001

Before removing the fan, follow these steps:

1. Shut down the computer. If you are unsure whether the computer is off or in Hibernation, turn the computer on, and then shut it down through the operating system.
2. Disconnect all external devices connected to the computer.
3. Disconnect the power from the computer by first unplugging the power cord from the AC outlet and then unplugging the AC adapter from the computer.
4. Remove the battery (see [“Battery” on page 4-6](#)).
5. Remove the following components:
  - a. Optical drive (see [“Optical drive” on page 4-7](#))
  - b. Hard drive (see [“Hard drive” on page 4-9](#))
  - c. Keyboard (see [“Keyboard” on page 4-15](#))
  - d. Keyboard cover (see [“Keyboard cover” on page 4-17](#))
  - e. Power button board (see [“Power button board” on page 4-19](#))
  - f. Display assembly (see [“Display assembly” on page 4-20](#))
  - g. Top cover (see [“Top cover” on page 4-26](#))
  - h. Bluetooth module (see [“Bluetooth module” on page 4-32](#))
  - i. System board (see [“System board” on page 4-35](#))

Remove the fan/heatsink assembly:

1. Turn the system board right-side up, with the front toward you.
2. Disconnect the fan cable from the system board.

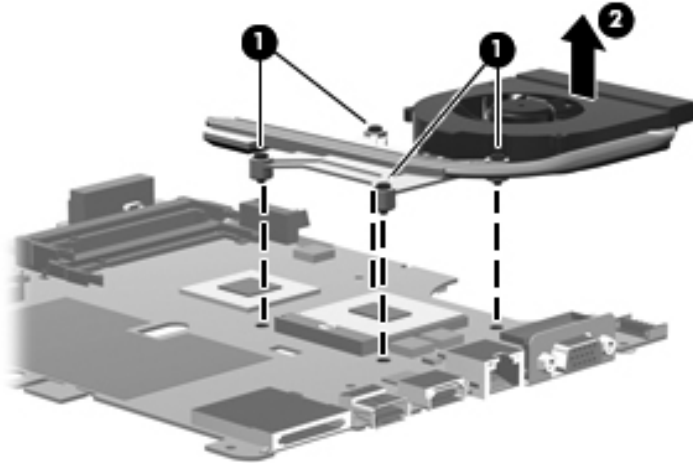


To properly ventilate the computer, allow at least a 7.6-cm (3-inch) clearance on the left side of the computer.



Due to the adhesive quality of the thermal material located between the fan/heat sink assembly and system board components, you may need to move the fan/heat sink assembly from side to side to detach the assembly.

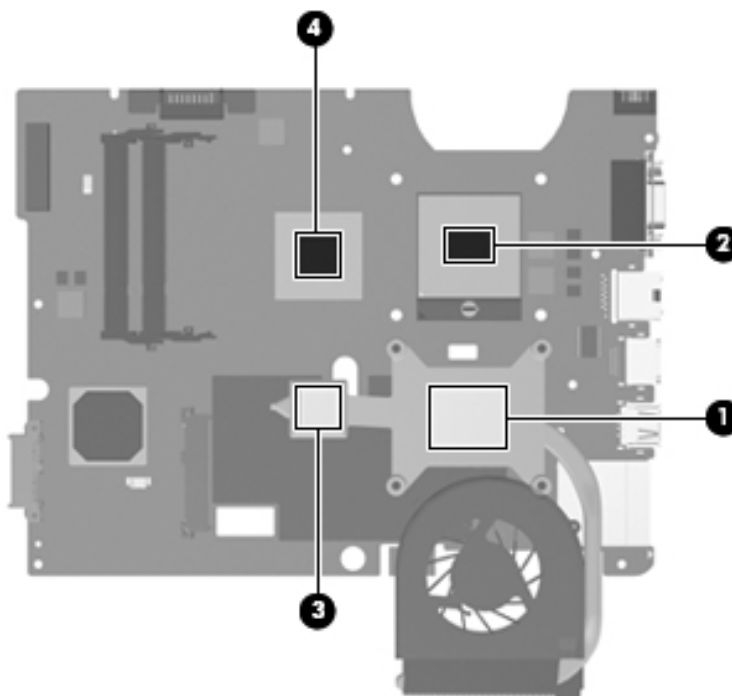
3. Turn the system board upside down with the fan assembly toward you.
4. Loosen the four Phillips PM2.0x10.0 spring-loaded captive screws ❶ that secure the fan/heatsink assembly. Remove the fan/heat sink assembly ❷ by lifting it straight up.



**WARNING:** To avoid damage to the processor, loosen the fan/heatsink screws in the 1-2-3-4 sequence indicated. Likewise, tighten the screws in the same sequence when installing the fan/heatsink assembly.



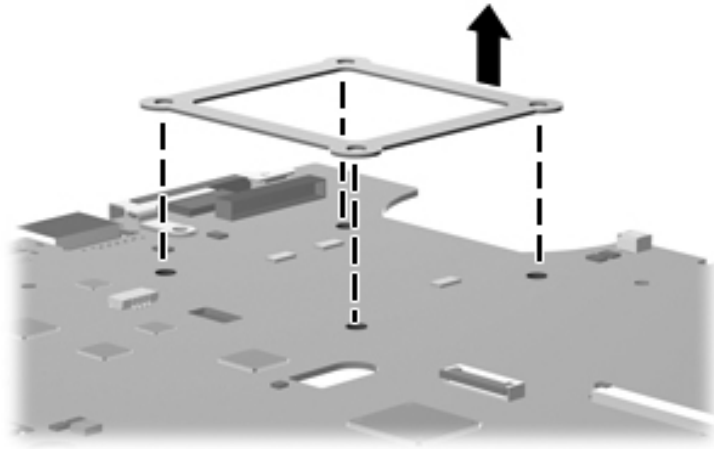
The thermal material must be thoroughly cleaned from the surfaces of the fan/heat sink and the system board components each time the fan/heat sink is removed. Thermal grease is located on the section of the fan/heat sink ❶ that services the processor ❷. Thermal pads are located on the section of the fan/heat sink ❸ that services the Northbridge chip ❹. Replacement thermal grease and pads are included with all system board, fan/heat sink assembly, and processor spare part kits.





The fan/heatsink assembly mounting bracket must be replaced as shown in the following illustration when installing the fan/heatsink assembly. The bracket is mounted on the opposite side of the system board, with the triangle locator symbols pointing toward the fan.

The fan/heatsink assembly mounting bracket is included in spare part number 489126-001.



Reverse this procedure to install the fan/heat sink assembly.

## Processor



All processor spare part kits include replacement thermal material.

Description	Spare part number
Core2 Duo P8400, 2.26-GHz	492316-001
Core2 Duo P8600, 2.4-GHz	492317-001
Core2 Duo T9400, 2.53-GHz	492318-001
Pentium T3200, 2.0-GHz	492319-001
Celeron-M 575, 2.0-GHz	492321-001
Celeron-M 585, 2.16-GHz	492322-001
Pentium P7350, 2.0-GHz	501520-001
Pentium T5800, 2.0-GHz	501521-001
Pentium T5900, 2.2-GHz	501522-001
Pentium T3400, 2.16-GHz	501523-001
Celeron T1600, 1.66-GHz	501524-001
Celeron T1700, 1.86-GHz	501525-001

Before removing the processor, follow these steps:

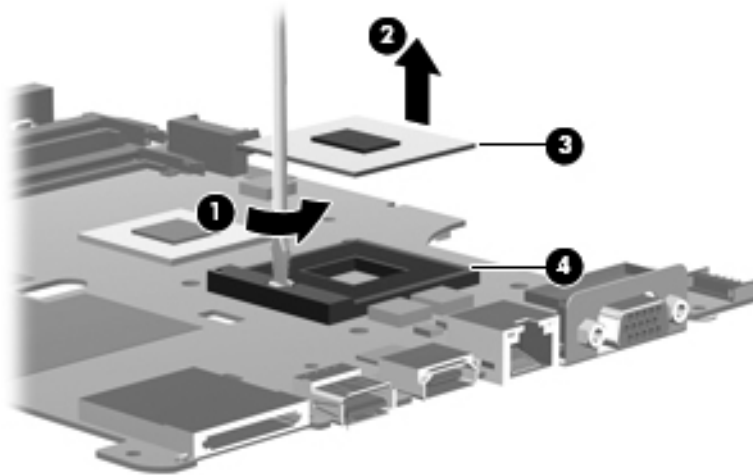
1. Shut down the computer. If you are unsure whether the computer is off or in Hibernation, turn the computer on, and then shut it down through the operating system.
2. Disconnect all external devices connected to the computer.
3. Disconnect the power from the computer by first unplugging the power cord from the AC outlet and then unplugging the AC adapter from the computer.
4. Remove the following components:
  - a. Remove the battery (see [“Battery” on page 4-6](#))
  - b. Optical drive (see [“Optical drive” on page 4-7](#))
  - c. Hard drive (see [“Hard drive” on page 4-9](#))
  - d. Keyboard (see [“Keyboard” on page 4-15](#))
  - e. Keyboard cover (see [“Keyboard cover” on page 4-17](#))
  - f. Power button board (see [“Power button board” on page 4-19](#))
  - g. Display assembly (see [“Display assembly” on page 4-20](#))
  - h. Top cover (see [“Top cover” on page 4-26](#))
  - i. Bluetooth module (see [“Bluetooth module” on page 4-32](#))
  - j. System board (see [“System board” on page 4-35](#))
  - k. Fan/heatsink assembly (see [“Fan/heatsink assembly” on page 4-39](#))

Remove the processor:

1. Use a flat-bladed screwdriver to turn the processor locking screw ❶ one-half turn counterclockwise until you hear a click.
2. Lift the processor ❷ straight up and remove it.



When you install the processor, the gold triangle on the processor ❸ must be aligned with the triangle embossed on the processor slot ❹.



Reverse this procedure to install the processor.

## Power connector cable

Description	Spare Part Number
Power connector cable	486637-001

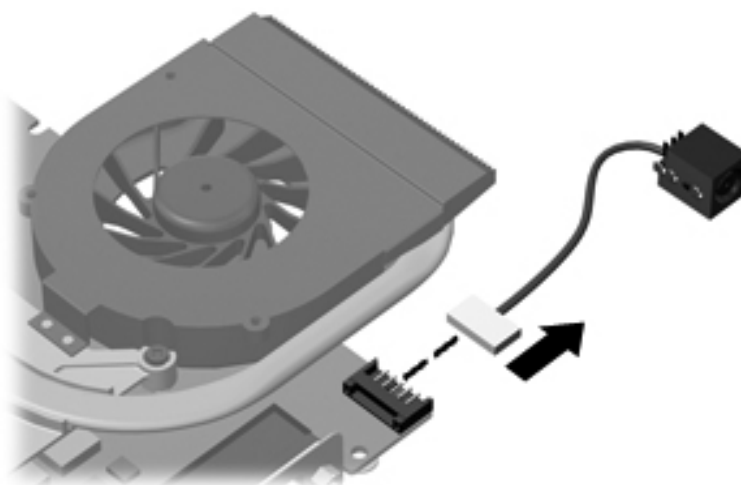
Before removing the power connector cable, follow these steps:

1. Shut down the computer. If you are unsure whether the computer is off or in Hibernation, turn the computer on, and then shut it down through the operating system.
2. Disconnect all external devices connected to the computer.
3. Disconnect the power from the computer by first unplugging the power cord from the AC outlet and then unplugging the AC adapter from the computer.
4. Remove the following components:
  - a. Remove the battery (see [“Battery” on page 4-6](#))
  - b. Optical drive (see [“Optical drive” on page 4-7](#))
  - c. Hard drive (see [“Hard drive” on page 4-9](#))
  - d. Keyboard (see [“Keyboard” on page 4-15](#))
  - e. Keyboard cover (see [“Keyboard cover” on page 4-17](#))
  - f. Power button board (see [“Power button board” on page 4-19](#))
  - g. Display assembly (see [“Display assembly” on page 4-20](#))
  - h. Top cover (see [“Top cover” on page 4-26](#))
  - i. Bluetooth module (see [“Bluetooth module” on page 4-32](#))
  - j. System board (see [“System board” on page 4-35](#))



The power cable connector was released from its mounting clip in the base assembly during system board removal.

To remove the power connector cable, disconnect the cable connector from the system board.



Reverse this procedure to install the power connector cable.



---

## Setup Utility

The Setup Utility is a ROM-based information and customization utility that can be used even when your Windows operating system is not working.

The utility reports information about the computer and provides settings for startup, security, and other preferences.

### Starting the Setup Utility

To start the Setup Utility:

- » Open the Setup Utility by turning on or restarting the computer. While the “Press the ESC key for Startup Menu” message is displayed in the lower-left corner of the screen, press **f10**.
- or –
- 1. Open the Setup Utility by turning on or restarting the computer. While the “Press the ESC key for Startup Menu” message is displayed in the lower-left corner of the screen, press **esc**.
- 2. When the Startup Menu is displayed, press **f10**.

### Changing the language of the Setup Utility

The following procedure explains how to change the language of the Setup Utility. If the Setup Utility is not already running, begin at step 1. If the Setup Utility is already running, begin at step 2.

1. Open the Setup Utility by turning on or restarting the computer. While the “Press the ESC key for Startup Menu” message is displayed in the lower-left corner of the screen, press **f10**.

– or –

Open the Setup Utility by turning on or restarting the computer. While the “Press the ESC key for Startup Menu” message is displayed in the lower-left corner of the screen, press **esc**. When the Startup Menu is displayed, press **f10**.

2. Use the arrow keys to select **System Configuration > Language**, and then press **enter**.
3. Use the arrow keys to select a language, and then press **enter**.
4. When a confirmation prompt with your language selected is displayed, press **enter**.
5. To save your change and exit the Setup Utility, use the arrow keys to select **Exit > Exit Saving Changes**, and then press **enter**.

Your change goes into effect immediately.

## Navigating and selecting in the Setup Utility

Because the Setup Utility is not Windows based, it does not support the TouchPad. Navigation and selection are by keystroke.

- To choose a menu or a menu item, use the arrow keys.
- To choose an item in a list or to toggle a field, for example an Enable/Disable field, use either the arrow keys or **f5** or **f6**.
- To select an item, press **enter**.
- To close a text box or return to the menu display, press **esc**.
- To display additional navigation and selection information while the Setup Utility is open, press **f1**.

## Displaying system information

The following procedure explains how to display system information in the Setup Utility. If the Setup Utility is not open, begin at step 1. If the Setup Utility is open, begin at step 2.

1. Open the Setup Utility by turning on or restarting the computer. While the “Press the ESC key for Startup Menu” message is displayed in the lower-left corner of the screen, press **f10**.  
– or –  
Open the Setup Utility by turning on or restarting the computer. While the “Press the ESC key from Startup Menu” message is displayed in the lower-left corner of the screen, press **esc**. When the Startup Menu is displayed, press **f10**.
2. Select the **Main** menu. System information such as the system time and date, and identification information about the computer is displayed.
3. To exit the Setup Utility without changing any settings, use the arrow keys to select **Exit > Exit Discarding Changes**, and then press **enter**.

## Restoring default settings in the Setup Utility

The following procedure explains how to restore the Setup Utility default settings. If the Setup Utility is not already running, begin at step 1. If the Setup Utility is already running, begin at step 2.

1. Open the Setup Utility by turning on or restarting the computer. While the “Press the ESC key for Startup Menu” message is displayed in the lower-left corner of the screen, press **f10**.  
– or –  
Open the Setup Utility by turning on or restarting the computer. While the “Press the ESC key for Startup Menu” message is displayed in the lower-left corner of the screen, press **esc**. When the Startup Menu is displayed, press **f10**.
2. Use the arrow keys to select **Exit > Load Setup Defaults**, and then press **enter**.
3. When the Setup Confirmation is displayed, press **enter**.
4. To save your change and exit the Setup Utility, use the arrow keys to select **Exit > Exit Saving Changes**, and then press **enter**.

The Setup Utility default settings go into effect when the computer restarts.



Your password, security, and language settings are not changed when you restore the factory default settings.

## Exiting the Setup Utility

You can exit the Setup Utility with or without saving changes.

- To exit the Setup Utility and save your changes from the current session:

If the Setup Utility menus are not visible, press **esc** to return to the menu display. Then use the arrow keys to select **Exit > Exit Saving Changes**, and then press **enter**.

- To exit the Setup Utility without saving your changes from the current session:

If the Setup Utility menus are not visible, press **esc** to return to the menu display. Then use the arrow keys to select **Exit > Exit Discarding Changes**, and then press **enter**.

After either choice, the computer restarts in Windows.

## Setup Utility menus

The menu tables in this section provide an overview of Setup Utility options.



Some of the Setup Utility menu items listed in this chapter may not be supported by your computer.

### Main menu

Select	To do this
System information	<ul style="list-style-type: none"> <li>■ View and change the system time and date.</li> <li>■ View identification information about the computer.</li> <li>■ View specification information about the processor, memory size, system BIOS, and keyboard controller version (select models only).</li> </ul>


### Security menu

Select	To do this
BIOS administrator password	Enter, change, or delete a BIOS administrator password.
Power-On Password	Enter, change, or delete a power-on password.

## System Configuration menu


Select	To do this
Language Support	Change the Setup Utility language.
Button Sound (select models only)	Enable/disable the capacitive button tapping sound.
Virtualization Technology	Enable/disable the processor Virtualization Technology.
Processor C4 State (select models only)	Enable/disable the processor C4 sleep state.
LAN Power Saving (select models only)	Enable/disable LAN Power Saving. When enabled, saves power when the computer is in DC mode.
Card Reader/1394 Power Saving (select models only)	Enable/disable Card Reader/1394 Power Saving. When enabled, saves power when the computer is in DC mode.
Fan Always On	Enabled/disable Fan Always On. When enabled, the computer fan will always be on.
Boot Options	<p>Set the following boot options:</p> <ul style="list-style-type: none"> <li>■ <b>f9</b> and <b>f10</b> Delay (sec.)—Set the delay for the <b>f9</b> and <b>f10</b> functions of the Setup Utility in intervals of 5 seconds each (0, 5, 10, 15, 20).</li> <li>■ CD-ROM boot—Enable/disable boot from CD-ROM.</li> <li>■ Floppy boot—Enable/disable boot from diskette.</li> <li>■ Internal Network Adapter boot—Enable/disable boot from Internal Network Adapter.</li> <li>■ Boot Order—Set the boot order for: <ul style="list-style-type: none"> <li><input type="checkbox"/> USB Floppy</li> <li><input type="checkbox"/> Internal CD/DVD ROM Drive</li> <li><input type="checkbox"/> Hard drive</li> <li><input type="checkbox"/> USB Diskette on Key</li> <li><input type="checkbox"/> USB Hard drive</li> <li><input type="checkbox"/> Network adapter</li> </ul> </li> </ul>

## Diagnostics menu

Select	To do this
Hard Disk Self Test	<p>Run a comprehensive self-test on the hard drive.</p> <p> On models with two hard drives, this menu option is called the <b>Primary Hard Disk Self Test</b>.</p>
Secondary Hard Disk Self Test (select models only)	Run a comprehensive self-test on a secondary hard drive.
Memory Test	Run a diagnostic test on the system memory.

# Specifications

## Computer specifications

	Metric	U.S.
<b>Dimensions</b>		
Width	39.6 cm	15.59 in
Depth	28.4 cm	11.18 in
Height (front to rear)	3.735 to 4.515 cm	1.470 to 1.777 in
<b>Weight</b>		
Equipped with 6-cell battery and optical drive	3.43 kg	7.56 lbs
<b>Input power</b>		
Operating voltage	18.5 V dc @ 3.5 A - 65 W or 19.0 V dc @ 4.74 A - 90 W	
Operating current	3.5 A or 4.74 A	
<b>Temperature</b>		
Operating (not writing to optical disc)	0°C to 35°C	32°F to 95°F
Operating (writing to optical disc)	5°C to 35°C	41°F to 95°F
Nonoperating	-20°C to 60°C	-4°F to 140°F
<b>Relative humidity (noncondensing)</b>		
Operating	10% to 90%	10% to 90%
Nonoperating	5% to 95%	5% to 95%
<b>Maximum altitude (unpressurized)</b>		
Operating	-15 m to 3,048 m	-50 ft to 10,000 ft
Nonoperating	-15 m to 12,192 m	-50 ft to 40,000 ft
 Applicable product safety standards specify thermal limits for plastic surfaces. The computer operates well within this range of temperatures.		

## 17-inch WXGA display specifications

	Metric	U.S.
<b>Dimensions</b>		
Height	24.4 cm	9.6 in
Width	38.1 cm	15.0 in
Diagonal	43.2 cm	17.0 in
<b>Number of colors</b>	Up to 16.8 million	
<b>Contrast ratio</b>	200:1	
<b>Brightness</b>	180 nits typical	
<b>Pixel resolution</b>		
Pitch	0.259 × 0.259 mm	
Format	1440 × 900	
Configuration	RGB vertical stripe	
<b>Backlight</b>	CCFT	
<b>Character display</b>	80 × 25	
<b>Total power consumption</b>	6.5 W	
<b>Viewing angle</b>	+/-45° horizontal, +15/-35° vertical typical	

## Hard drive specifications

	320-GB	250-GB*	200-GB	160-GB*	120-GB*
<b>Dimensions</b>					
Height	9.5 mm	9.5 mm	9.5 mm	9.5 mm	9.5 mm
Width	70 mm	70 mm	70 mm	70 mm	70 mm
Weight	101 g	101 g	101 g	101 g	101 g
<b>Interface type</b>	SATA	SATA	SATA	SATA	SATA
<b>Transfer rate</b>	100 MB/sec	100 MB/sec	100 MB/sec	100 MB/sec	100 MB/sec
<b>Security</b>	ATA security	ATA security	ATA security	ATA security	ATA security
<b>Seek times</b> (typical read, including setting)					
Single track	3 ms	3 ms	3 ms	3 ms	3 ms
Average	13 ms	13 ms	13 ms	13 ms	13 ms
Maximum	24 ms	24 ms	24 ms	24 ms	24 ms
<b>Logical blocks</b>	625,142,448	488,376,120	39,700,850	312,560,340	234,420,480
<b>Disc rotational speed</b>	5400 rpm	5400 rpm	5400 rpm	7200 and 5400 rpm	7200 and 5400 rpm
<b>Operating temperature</b>	5°C to 55°C (41°F to 131°F)				

\*1 GB = 1 billion bytes when referring to hard drive storage capacity. Actual accessible capacity is less. Actual drive specifications may differ slightly.



Certain restrictions and exclusions apply. Contact technical support for details.

## DVD±RW and CD-RW SuperMulti Double-Layer Combo Drive specifications

<b>Applicable disc</b>	<b>Read:</b>	<b>Write:</b>
	CD-DA, CD+(E)G, CD-MIDI, CD-TEXT, CD-ROM, CD-ROM XA, MIXED MODE CD, CD-I, CD-I Bridge (Photo-CD, Video CD), Multisession CD (Photo-CD, CD-EXTRA, Portfolio, CD-R, CD-RW), CD-R, CD-RW, DVD-ROM (DVD-5, DVD-9, DVD-10, DVD-18), DVD-R, DVD-RW, DVD+R, DVD+RW, DVD-system memory	CD-R and CD-RW  DVD+R, DVD+RW, DVD-R, DVD-RW, DVD-system memory
<b>Access time</b>	<b>CD</b>	<b>DVD</b>
Random	< 175 ms	< 230 ms
<b>Cache buffer</b>	2 MB	
<b>Data transfer rate</b>		
24X CD-ROM	3,600 KB/sec	
8X DVD	10,800 KB/sec	
24X CD-R	3,600 KB/sec	
16X CD-RW	2,400 KB/sec	
8X DVD+R	10,800 KB/sec	
4X DVD+RW	5,400 KB/sec	
8X DVD-R	10,800 KB/sec	
4X DVD-RW	5,400 KB/sec	
2.4X DVD+R(9)	2,700 KB/sec	
5X DVD-system memory	6,750 KB/sec	



## DVD±RW and CD-RW SuperMulti Double-Layer Combo Drive with LightScribe specifications

Applicable disc	Read:	Write:
	CD-ROM, CD-R, CD-RW, High Speed CD-RW, Ultra & Ultra+ Speed CD-RW, DVD, DVD±R/RW, DVD±R, DVD-system memory	DVD-system memory (Ver.2), DVD±R, DVD±RW, DVD±Dual, CD-R, and CD-RW
Access time	CD	DVD
Random	< 130 ms	< 150 ms
Cache buffer	2 MB	
Data transfer rate		
5X DVD-system memory	6,750 KB/sec	
8X DVD±RW	10,800 KB/sec	
8X DVD±R	10,800 KB/sec	
16X CD-R	3,600 KB/sec	
16X CD-RW (High Speed)	1,500 KB/sec	

## Blu-ray ROM DVD±RW SuperMulti DL Drive specifications

Applicable disc	Read:	Write:
	BD-ROM, BD-ROM-DL, BD-R, BD-R-DL, BD-RE, BD-RE-DL, DVD-ROM, DVD+R, DVD+R-DL, DVD+RW, DVD-R, DVD-R-DL, DVD-RW, DVD-system memory (Ver.2), CD-DA, CD-ROM (Mode 1 and mode 2), CD-ROM XA (Mode 2, form 1 and form 2), Photo CD (Single and multiple sessions), CD Extra, CD-R, CD-RW, and CD-TEXT	DVD-system memory (Ver.2), DVD+R, DVD-R, CD-R, and CD-RW
Access time	BD	DVD
Random	< 230 ms	< 180 ms
Cache buffer	4.5 MB	
Data transfer rate		
2X BD-system memory	9 MB/sec	
8X DVD	2,400 KB/sec	
16X CD-R	2,400 KB/sec	
16X CD-RW	2,400 KB/sec	

## System DMA specifications


Hardware	DMA System function
DMA0	Not applicable
DMA1*	Not applicable
DMA2*	Not applicable
DMA3	Not applicable
DMA4	Direct memory access controller
DMA5*	Available for PC Card
DMA6	Not assigned
DMA7	Not assigned

\*PC Card controller can use DMA 1, 2, or 5.

## System interrupt specifications

Hardware IRQ	System function
IRQ0	System timer
IRQ1	Standard 101-/102-Key or Microsoft Natural Keyboard
IRQ2	Cascaded
IRQ4	COM1
IRQ6	Diskette drive
IRQ7*	Parallel port
IRQ8	System CMOS/real-time clock
IRQ9*	Microsoft ACPI-compliant system
IRQ12	Synaptics PS/2 TouchPad
IRQ13	Numeric data processor
IRQ14	Primary IDE channel
IRQ15	Secondary IDE channel

\*Default configuration; audio possible configurations are IRQ5, IRQ7, IRQ9, IRQ10, or none.

 PC Cards may assert IRQ3, IRQ4, IRQ5, IRQ7, IRQ9, IRQ10, IRQ11, or IRQ15. Either the infrared or the serial port may assert IRQ3 or IRQ4.

## System I/O address specifications

I/O address (hex)	System function (shipping configuration)
000 - 00F	DMA controller no. 1
010 - 01F	Unused
020 - 021	Interrupt controller no. 1
022 - 024	Opti chipset configuration registers
025 - 03F	Unused
02E - 02F	87334 "Super I/O" configuration for CPU
040 - 05F	Counter/timer registers
044 - 05F	Unused
060	Keyboard controller
061	Port B
062 - 063	Unused
064	Keyboard controller
065 - 06F	Unused
070 - 071	NMI enable/RTC
072 - 07F	Unused
080 - 08F	DMA page registers
090 - 091	Unused
092	Port A
093 - 09F	Unused
0A0 - 0A1	Interrupt controller no. 2
I/O Address (hex)	System Function (shipping configuration)
0A2 - 0BF	Unused
0C0 - 0DF	DMA controller no. 2
0E0 - 0EF	Unused
0F0 - 0F1	Coprocessor busy clear/reset
0F2 - 0FF	Unused
100 - 16F	Unused
170 - 177	Secondary fixed disk controller
178 - 1EF	Unused
1F0 - 1F7	Primary fixed disk controller
1F8 - 200	Unused
201	JoyStick (decoded in ESS1688)
202 - 21F	Unused
220 - 22F	Entertainment audio
230 - 26D	Unused
26E - 26	Unused

(Continued)

I/O address (hex)	System function (shipping configuration)
278 - 27F	Unused
280 - 2AB	Unused
2A0 - 2A7	Unused
2A8 - 2E7	Unused
2E8 - 2EF	Reserved serial port
2F0 - 2F7	Unused
2F8 - 2FF	Infrared port
300 - 31F	Unused
320 - 36F	Unused
370 - 377	Secondary diskette drive controller
378 - 37F	Parallel port (LPT1/default)
380 - 387	Unused
388 - 38B	FM synthesizer-OPL3
38C - 3AF	Unused
3B0 - 3BB	VGA
3BC - 3BF	Reserved (parallel port/no EPP support)
3C0 - 3DF	VGA
3E0 - 3E1	PC Card controller in CPU
3E2 - 3E3	Unused
3E8 - 3EF	Internal modem
3F0 - 3F7	"A" diskette controller
3F8 - 3FF	Serial port (COM1/default)
CF8 - CFB	PCI configuration index register (PCIDIVO-1)
CFC - CFF	PCI configuration data register (PCIDIVO-1)

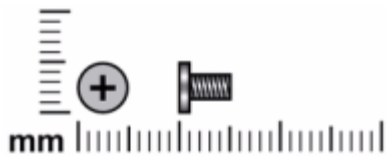
## System memory map specifications

Size	Memory address	System function
640 KB	00000000-0009FFFF	Base memory
128 KB	000A0000-000BFFFF	Video memory
48 KB	000C0000-000CBFFF	Video BIOS
160 KB	000C8000-000E7FFF	Unused
64 KB	000E8000-000FFFFF	System BIOS
15 MB	00100000-00FFFFFF	Extended memory
58 MB	04800000-07FFFFFF	Super extended memory
58 MB	04800000-07FFFFFF	Unused
2 MB	08000000-080FFFFF	Video memory (direct access)
4 GB	08200000-FFFEFFFF	Unused
64 KB	FFFF0000-FFFFFFFF	System BIOS

## Screw listing

This section provides specification and reference information for the screws used in the computer. All screws listed in this section are available in the Screw Kit, spare part number 486622-001.

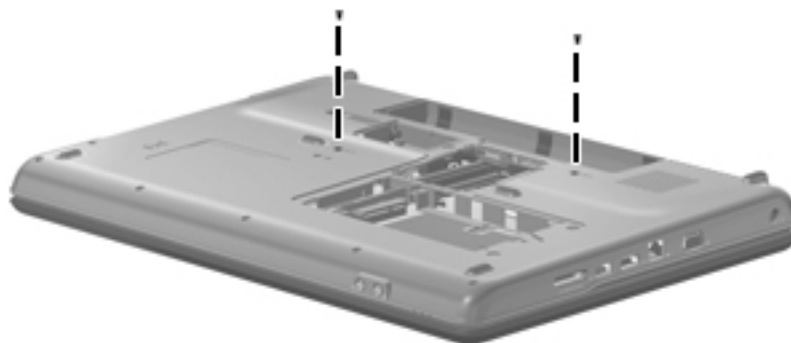
### Phillips PM2.5x5.0 screw



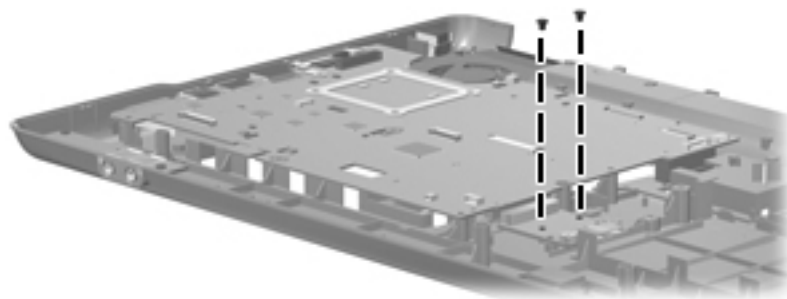
Color	Quantity	Length	Thread	Head diameter
Black	7	5.0 mm	2.5 mm	4.0 mm



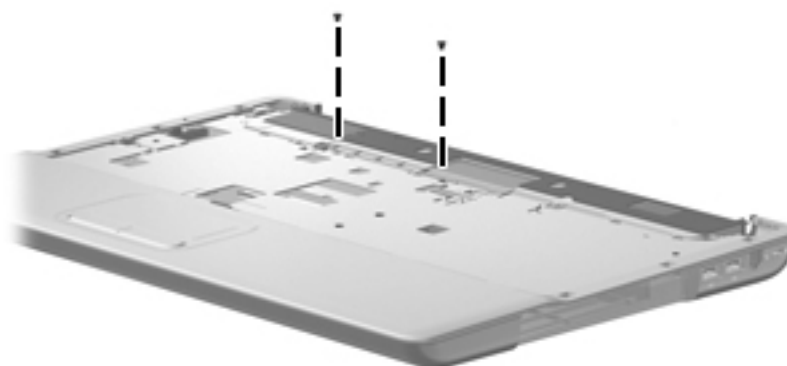
**Where used:** 1 screw that secures the optical drive to the computer



**Where used:** 2 screws that secure the keyboard to the computer

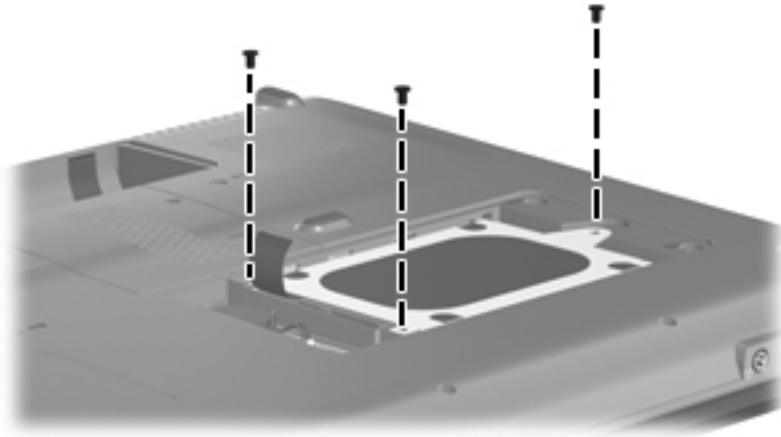


**Where used:** 2 screws that secure the optical drive connector to the base enclosure

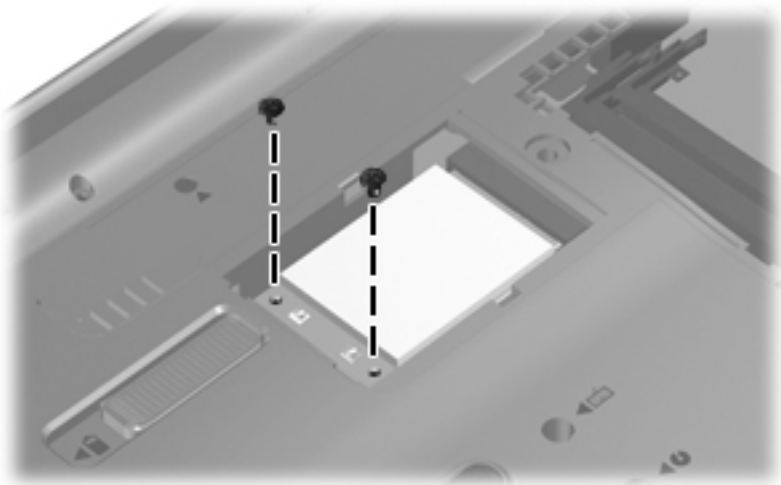


**Where used:** 2 screws that secure the top cover to the base enclosure

Color	Quantity	Length	Thread	Head diameter
Silver	5	5.0 mm	2.5 mm	4.0 mm

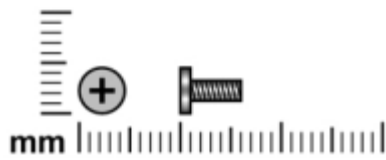


**Where used:** 3 screws that secure the hard drive to the computer

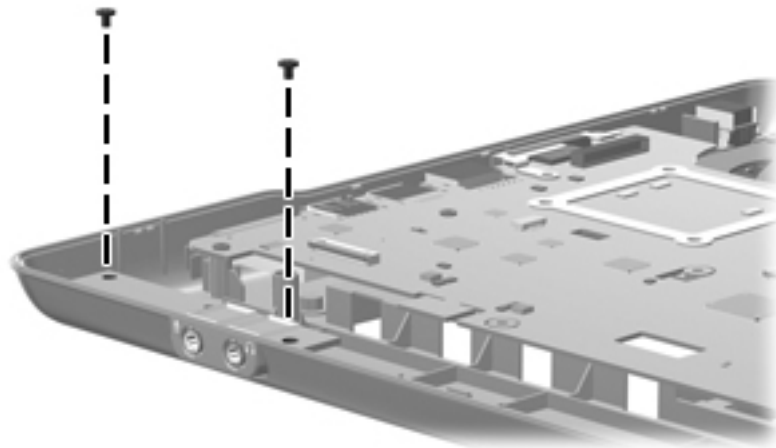


**Where used:** 2 screws that secure the WLAN module to the computer

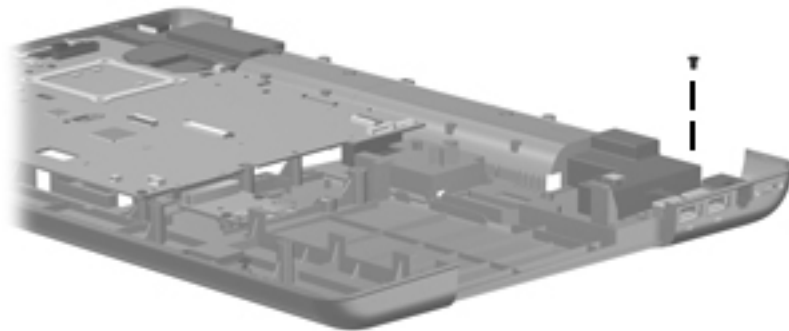
## Phillips PM2.0x6.0 screw



Color	Quantity	Length	Thread	Head diameter
Black	4	6.0 mm	2.0 mm	5.0 mm



**Where used:** 2 screws that secure the audio board to the base enclosure



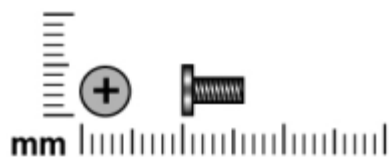
**Where used:** 1 screw that secures the right speaker to the base enclosure



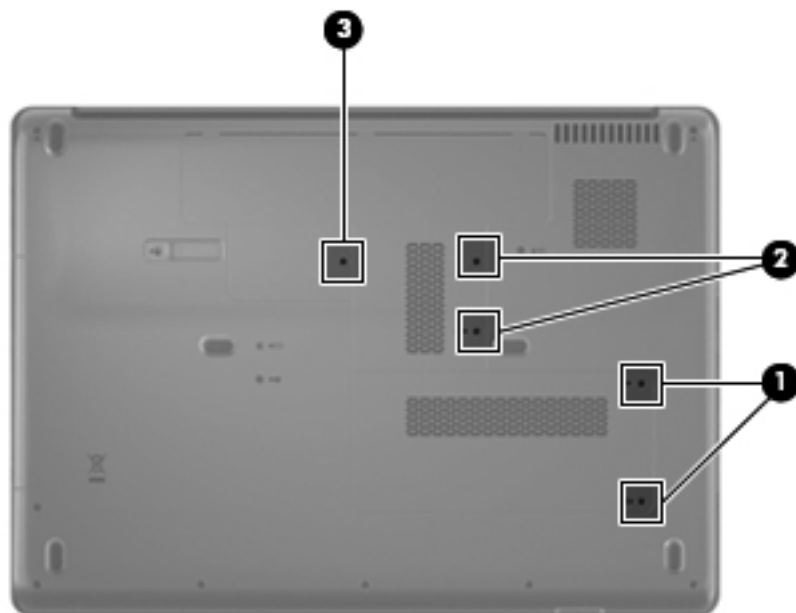
**Where used:** 1 screw that secures the top cover to the base enclosure



## Phillips PM2.5x6.0 captive screw



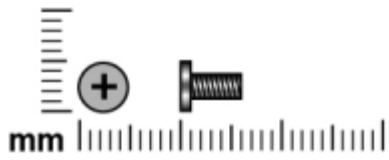
Color	Quantity	Length	Thread	Head diameter
Black	5	6.0 mm	2.5 mm	5.0 mm



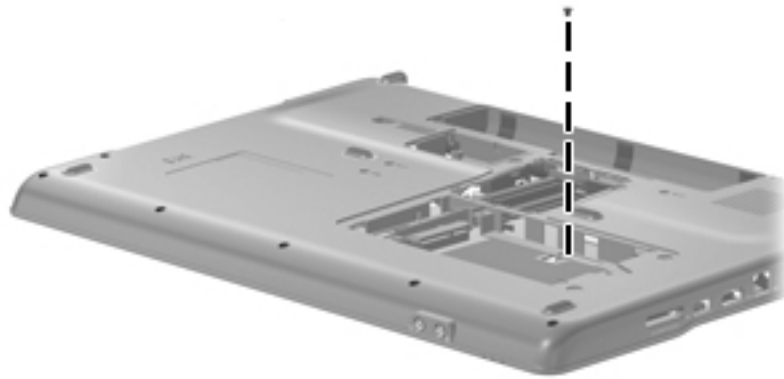
### Where used:

- ❶ Two screws that secure the hard drive cover to the computer (screws are secured by C-clips)
- ❷ Two screws that secure the memory module cover to the computer (screws are secured by C-clips)
- ❸ One screw that secures the WLAN cover to the computer (screw is secured by a C-clip)

## Phillips PM2.5x6.0 screw

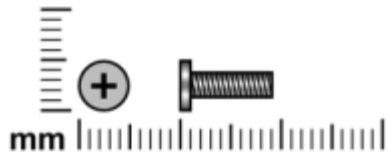


Color	Quantity	Length	Thread	Head diameter
Black	1	6.0 mm	2.5 mm	5.0 mm

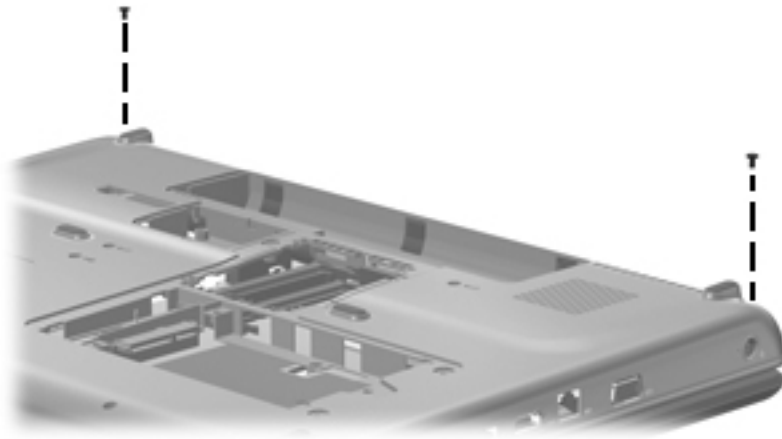


**Where used:** 1 screw that secures the top cover to the computer

## Phillips PM2.5x9.0 screw



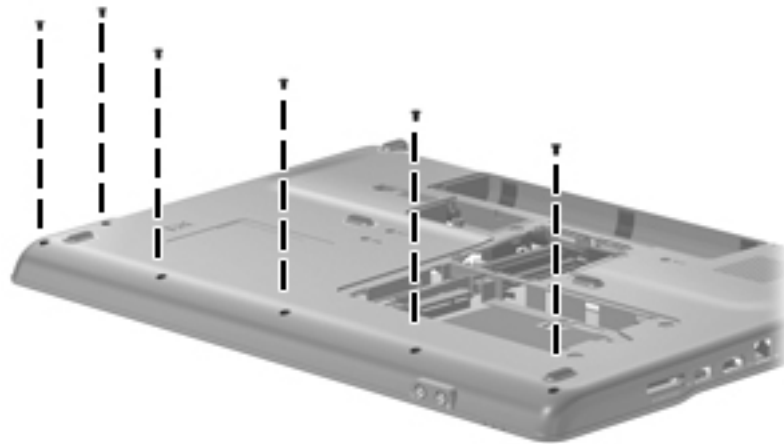
Color	Quantity	Length	Thread	Head diameter
Black	12	9.0 mm	2.5 mm	5.0 mm



**Where used:** 2 screws that secure the keyboard cover to the computer

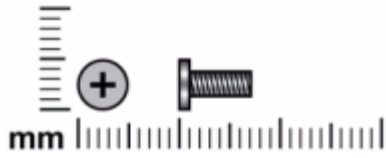


**Where used:** 4 screws that secure the display assembly to the base enclosure

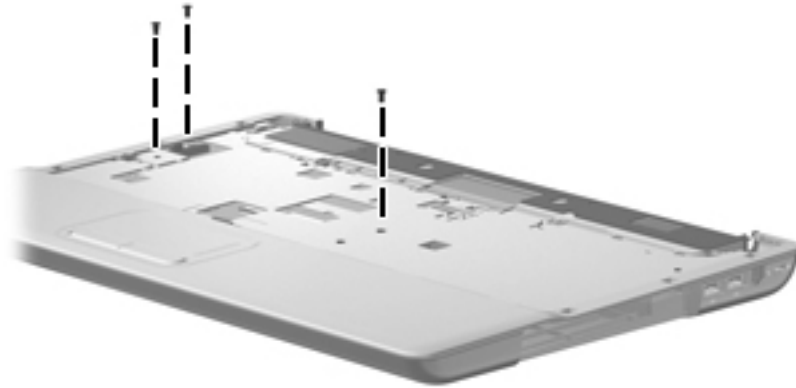


**Where used:** 6 screws that secure the top cover to the base enclosure

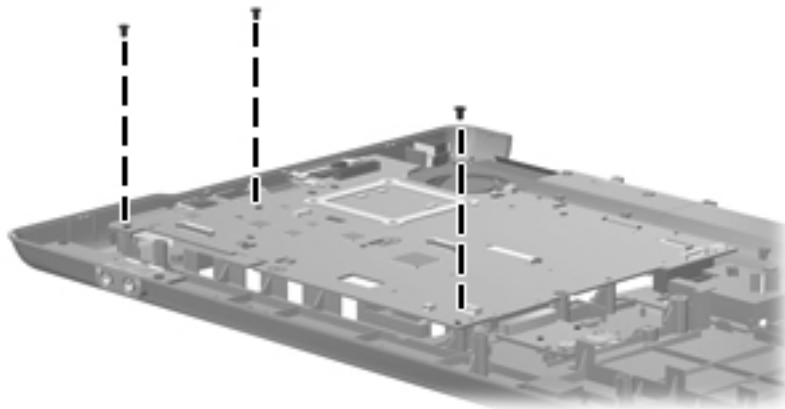
## Phillips PM2.5x7.0 screw



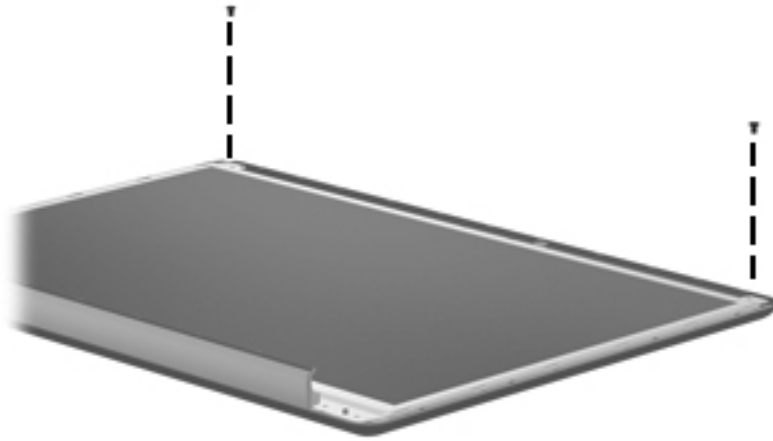
Color	Quantity	Length	Thread	Head diameter
Black	14	7.0 mm	2.5 mm	5.0 mm



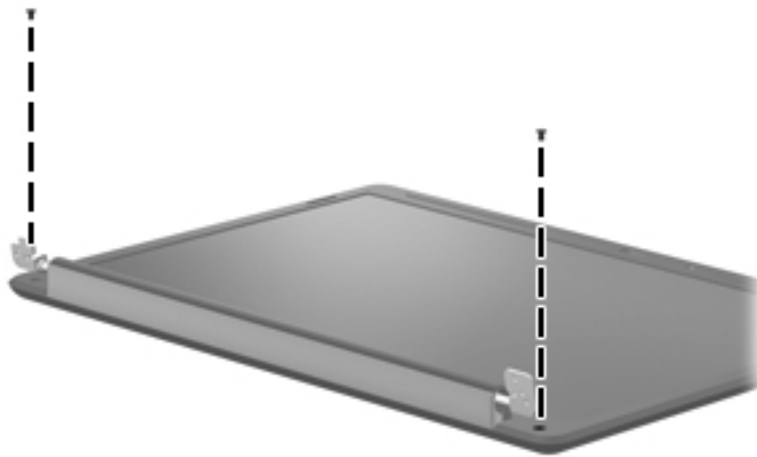
**Where used:** 3 screws that secure the top cover to the computer



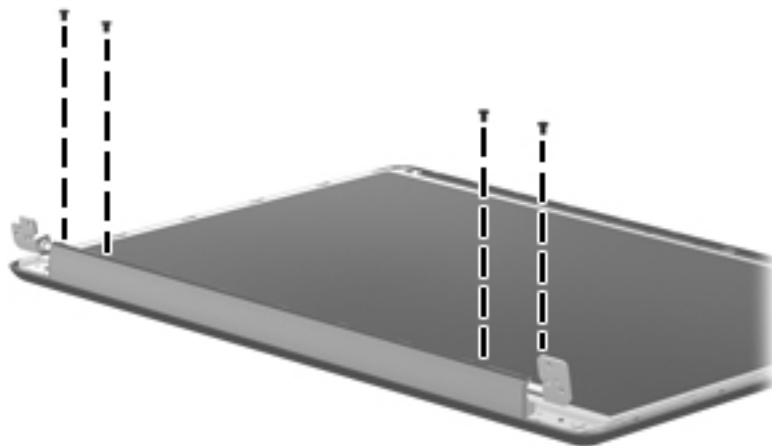
**Where used:** 3 screws that secure the system board to the base enclosure



**Where used:** 2 screws that secure the display panel to the display enclosure

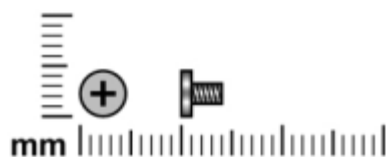


**Where used:** 2 screws that secure the display bezel to the display enclosure



**Where used:** 4 screws that secure the display hinges to the display enclosure

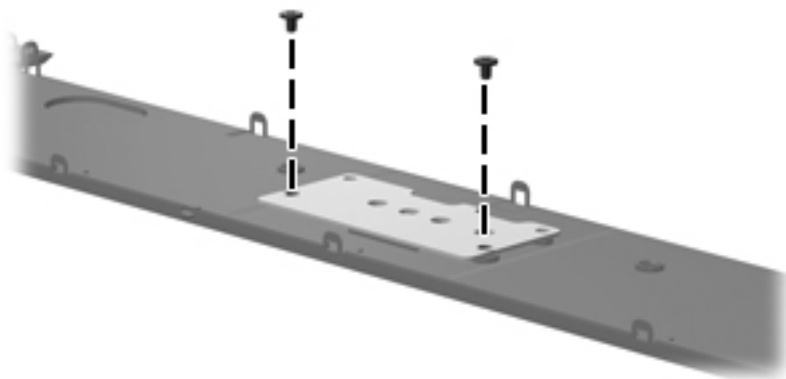
## Phillips PM2.0x4.0 screw



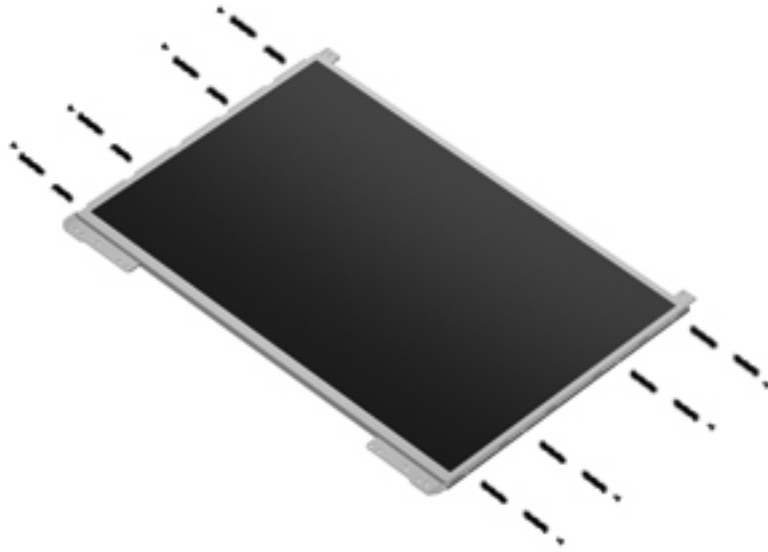
Color	Quantity	Length	Thread	Head diameter
Black	24	4.0 mm	2.0 mm	4.0 mm



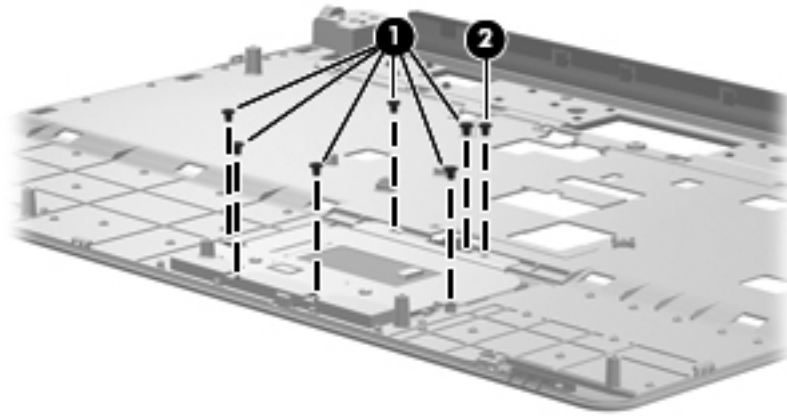
**Where used:** 2 screws that secure the optical drive bracket to the optical drive



**Where used:** 2 screws that secure the power button board to the keyboard cover



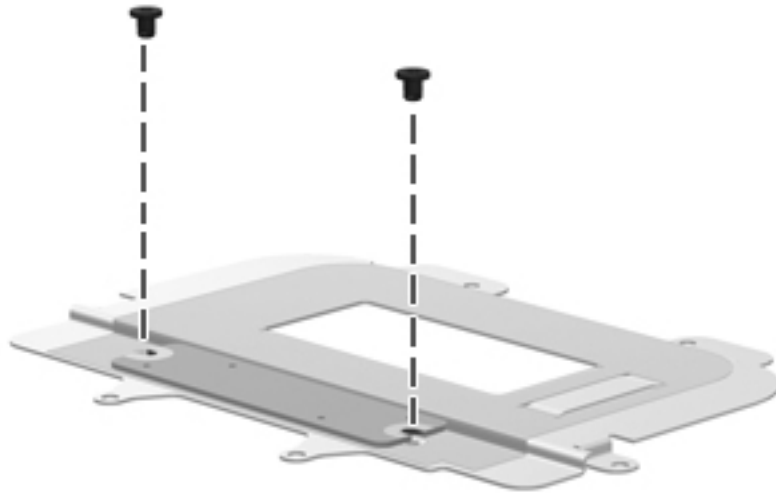
**Where used:** 8 screws that secure the display panel brackets to the display panel



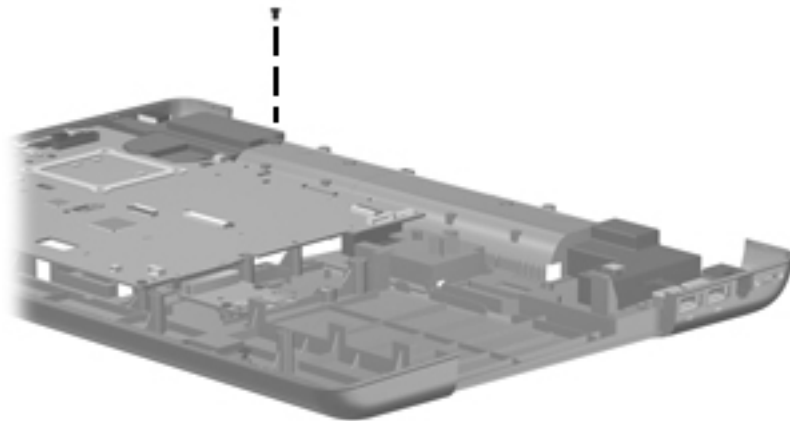
**Where used:**

- ❶ Six screws that secure the TouchPad board bracket to the top cover
- ❷ One screw that secures the TouchPad on/off board

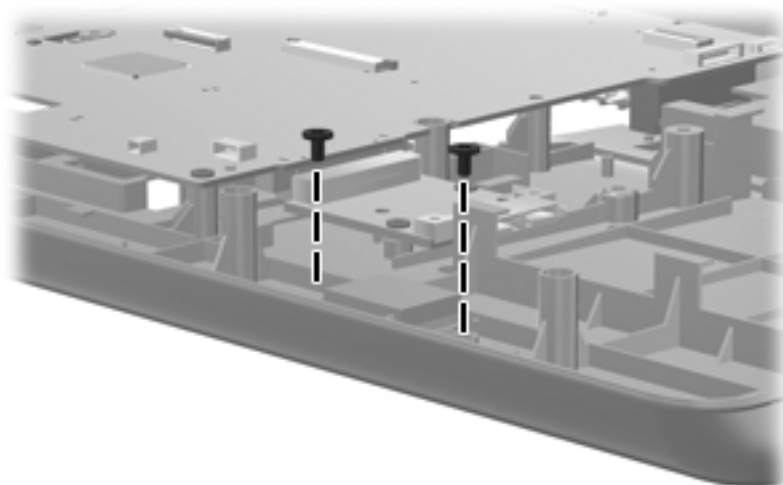




**Where used:** 2 screws that secure the TouchPad board to the TouchPad board bracket

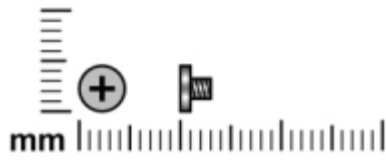


**Where used:** 1 screw that secures the left speaker to the base enclosure

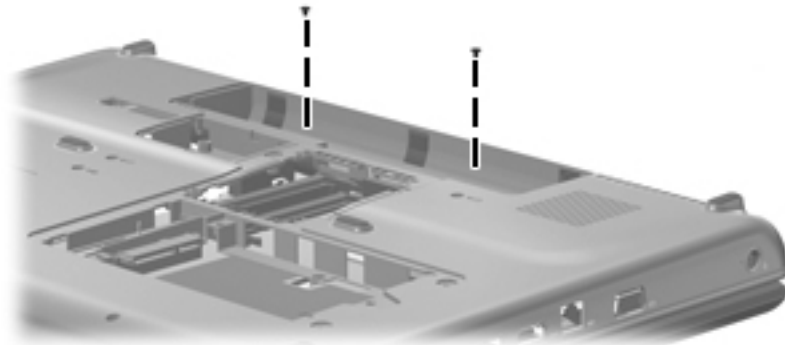


**Where used:** 2 screws that secure the Bluetooth module to the base enclosure

## Phillips PM2.0x3.0 screw

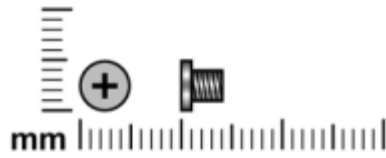


Color	Quantity	Length	Thread	Head diameter
Black	2	3.0 mm	2.0 mm	4.0 mm

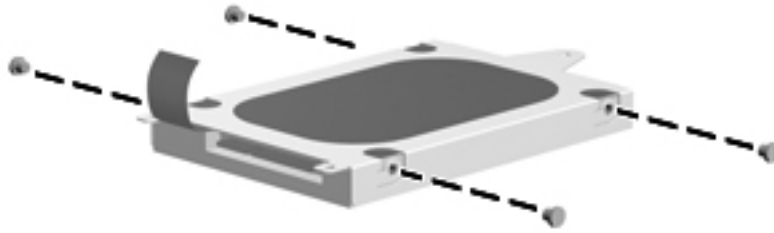


**Where used:** 2 screws in the battery bay that secure the keyboard cover to the computer

## Phillips PM3.0x4.0 screw

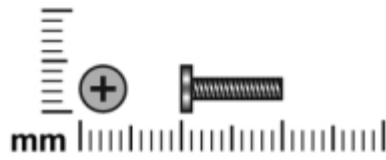


Color	Quantity	Length	Thread	Head diameter
Silver	4	4.0 mm	3.0 mm	5.0 mm

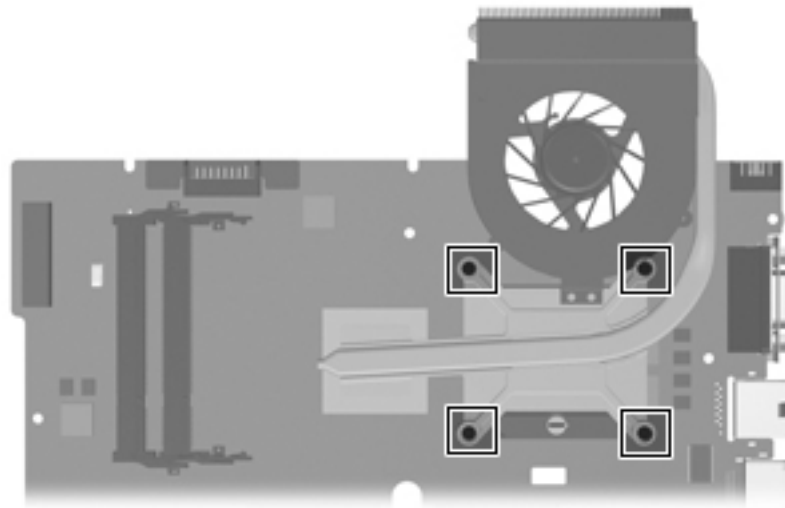


**Where used:** 4 screws that secure the hard drive bracket to the hard drive

## Phillips PM2.0x10.0 captive screw



Color	Quantity	Length	Thread	Head diameter
Silver	4	10.0 mm	2.0 mm	5.0 mm



**Where used:** 4 captive screws that secure the fan/heatsink to the system board (screws are secured by C-clips)

---

## Backup and recovery

Recovery after a system failure is as complete as your most current backup. HP recommends that you create recovery discs immediately after software setup. As you add new software and data files, you should continue to back up your system on a regular basis to maintain a reasonably current backup.

Tools provided by the operating system and Recovery Manager software are designed to help you with the following tasks for safeguarding your information and restoring it in case of a system failure:

- Making a set of recovery discs (Recovery Manager software feature). Recovery discs are used to start up (boot) your computer and restore the operating system and software programs to factory settings in case of system failure or instability.
- Backing up your information regularly to protect your important system files.
- Creating system restore points (operating system feature). System restore points allow you to reverse undesirable changes to your computer by restoring the computer to an earlier state.
- Recovering a program or driver (Recovery Manager software feature). This feature helps you reinstall a program or driver without performing a full system recovery.
- Performing a full system recovery (Recovery Manager software feature). With Recovery Manager, you can recover your full factory image if you experience system failure or instability. Recovery Manager works from a dedicated recovery partition (select models only) on the hard drive or from recovery discs you create.



---

If your computer includes a solid-state drive (SSD), you may not have a recovery partition. Recovery discs have been included for computers that do not have a partition. Use these discs to recover your operating system and software. To check for the presence of a recovery partition, select **Start > Computer**. If the partition is present, an HP Recovery drive is listed in the Hard Disk Drives section of the window.

---

### Creating recovery discs



---

HP recommends that you create recovery discs to be sure that you can restore your system to its original factory state if you experience serious system failure or instability. Create these discs after setting up the computer for the first time.

---




---

Handle these discs carefully and keep them in a safe place. The software allows the creation of only one set of recovery discs.

---

Note the following guidelines before creating recovery discs:

- You will need high quality CD-R, DVD-R, double-layer DVD-R, DVD+R, double-layer DVD+R, or BD-R (writable Blu-ray) discs. All these discs are purchased separately.
  -  Read-write discs, such as CD-RW, DVD±RW, double-layer DVD±RW, and BD-RE (rewritable Blu-ray) discs, are not compatible with the Recovery Manager software.
- The computer must be connected to AC power during this process.


- Only one set of recovery discs can be created per computer.
- Number each disc before inserting it into the computer optical drive.
- If necessary, you can exit the program before you have finished creating the recovery discs. The next time you open Recovery Manager, you will be prompted to continue the disc creation process.

To create a set of recovery discs:

1. Select **Start > All Programs > Recovery Manager > Recovery Manager**.

Recovery Manager opens.

2. Click **Advanced Options**.

 If you are operating the computer on battery power, you will be prompted to connect to AC power before you can go to the next step.

3. Click **Recovery disc creation**, and then click **Next**.

4. Follow the on-screen instructions.


## Backing up your information

With HP Backup & Recovery Manager, you can perform the following tasks:

- Back up your information regularly to protect your files
- Create system recovery points that allow you to reverse undesirable changes to your computer by restoring the computer to an earlier state

## When to back up

- On a regularly scheduled basis

 Set reminders to back up your information periodically.

- Before the computer is repaired or restored
- Before you add or modify hardware or software

## Backup suggestions

- Create a set of recovery discs using Recovery Manager.
- Create system restore points using the Windows System Restore feature, and periodically copy them to disc.
- Store personal files in the Documents folder and back up these folders periodically.
- Back up templates stored in their associated programs.
- Save customized settings in a window, toolbar, or menu bar by taking a screen shot of your settings. The screen shot can be a time-saver if you have to reset your preferences.

To copy the screen and paste it into a word-processing document, follow these steps:

- a. Display the screen.
- b. Copy the screen:
  - To copy only the active window, press **alt+fn+prt sc**.
  - To copy the entire screen, press **fn+prt sc**.
- c. Open a word-processing document, and then select **Edit > Paste**.

## Using system restore points

When you back up your system, you are creating a system restore point. A system restore point allows you to save and name a snapshot of your hard drive at a specific point in time. You can then recover back to that point if you want to reverse subsequent changes made to your system.



---

Recovering to an earlier restore point does not affect data files saved or e-mails created since the last restore point.

---

You also can create additional restore points to provide increased protection for your system files and settings.

## When to create restore points

- Before you add or extensively modify software or hardware
- Periodically, whenever the system is performing optimally



---

If you revert to a restore point and then change your mind, you can reverse the restoration.

---

## Create a system restore point

1. Select **Start > Control Panel > System and Maintenance > System**.
2. In the left pane, click **System Protection**.
3. Click the **System Protection** tab.
4. Under **Automatic restore points**, select the disk for which you want to create a restore point.
5. Click **Create**.

The System Protection window opens.

6. Follow the on-screen instructions.

## Restore to a previous date and time

To revert to a restore point (created at a previous date and time), when the computer was functioning optimally, follow these steps:

1. Select **Start > Control Panel > System and Maintenance > System**.
2. In the left pane, click **System protection**.
3. Click the **System Protection** tab.
4. Click the **System Restore** button, and then click **Next**.

The System Restore window opens.

5. Follow the on-screen instructions.

## Performing a recovery



You can recover only files that you have previously backed up. HP recommends that you use Recovery Manager to create an entire drive backup as soon as you set up your computer.

---

Recovery Manager software allows you to repair or restore the system if you experience system failure or instability. Recovery Manager works from recovery discs that you create or from a dedicated recovery partition (select models only) on the hard drive. However, if your computer includes a solid-state drive (SSD), you may not have a recovery partition. If that is the case, recovery discs have been included with your computer. Use these discs to recover your operating system and software.

---



Windows has its own built-in repair features, such as System Restore and driver roll-back capabilities. If you have not already tried these features, try them before using Recovery Manager.

---



Recovery Manager recovers only software that was preinstalled at the factory. Software not provided with this computer must be downloaded from the manufacturer's Web site or reinstalled from the disc provided by the manufacturer.

---

## Recovering from the recovery discs

To restore the system from the recovery discs:

1. Back up all personal files.
2. Insert the first recovery disc into the optical drive and restart the computer.
3. Follow the on-screen instructions.

## Recovering from the dedicated recovery partition (select models only)



If your computer includes a solid-state drive (SSD), you may not have a recovery partition. You will not be able to recover using this procedure. Recovery discs have been included for computers that do not have a partition. Use these discs to recover your operating system and software.

---

On some models, you can perform a recovery from the partition on the hard drive from either the Start button or **f11**.

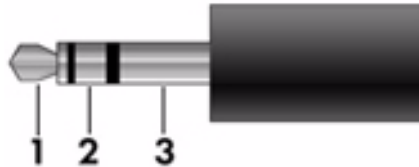
To restore the system from the partition, follow these steps:

1. Access Recovery Manager in either of the following ways:
  - Select **Start > All Programs > Recovery Manager > Recovery Manager**.
  - or–
  - Restart the computer and press **f11** while the “Press <F11> for recovery” message is displayed on the screen. Then select **Recovery Manager**.Recovery Manager opens.
2. Click **Advanced Options**.
3. Click **System recovery**, and then click **Next**.
4. Follow the on-screen instructions.



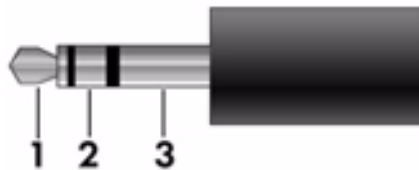
## Connector pin assignments

### Audio-out (headphone)



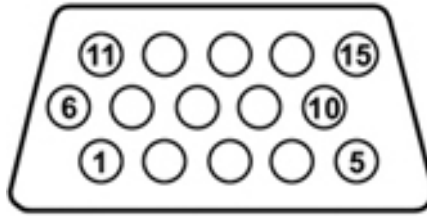
Pin	Signal
1	Audio out, left channel
2	Audio out, right channel
3	Ground

### Audio-in (microphone)



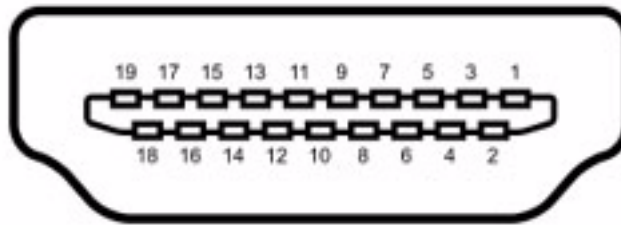
Pin	Signal
1	Audio signal in
2	Audio signal in
3	Ground

## External monitor



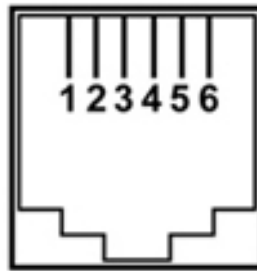
Pin	Signal
1	Red analog
2	Green analog
3	Blue analog
4	Not connected
5	Ground
6	Ground analog
7	Ground analog
8	Ground analog
9	+5 VDC
10	Ground
11	Monitor detect
12	DDC 2B data
13	Horizontal sync
14	Vertical sync
15	DDC 2B clock

# HDMI



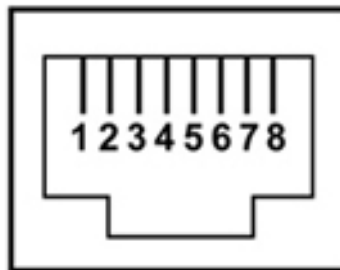
Pin	Signal
1	Transition minimized differential signal (TDMS) data 2+
2	Transition minimized differential signal (TDMS) data 2 shield
3	Transition minimized differential signal (TDMS) data 2-
4	Transition minimized differential signal (TDMS) data 1+
5	Transition minimized differential signal (TDMS) data 1 shield
6	Transition minimized differential signal (TDMS) data 1 shield
7	Transition minimized differential signal (TDMS) data 0+
8	Transition minimized differential signal (TDMS) data 0 shield
9	Transition minimized differential signal (TDMS) data 0-
10	Transition minimized differential signal (TDMS) Clock +
11	Transition minimized differential signal (TDMS) data clock shield
12	Transition minimized differential signal (TDMS) data clock-
13	Consumer electronics control (CEC)
14	No connect
15	Display data channel (DDC) clock
16	Display data channel (DDC) data
17	Ground
18	+5V Power
19	Hot plug detect

## RJ-11 (modem)



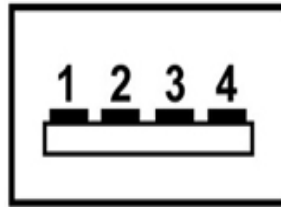
Pin	Signal
1	Unused
2	Tip
3	Ring
4	Unused
5	Unused
6	Unused

## RJ-45 (network)



Pin	Signal
1	Transmit +
2	Transmit -
3	Receive +
4	Unused
5	Unused
6	Receive -
7	Unused
8	Unused

## Universal Serial Bus



Pin	Signal
1	+5 VDC
2	Data -
3	Data +
4	Ground

---

## Power cord set requirements

The wide range input feature of the computer permits it to operate from any line voltage from 100 to 120 volts AC or from 220 to 240 volts AC.

The 3-conductor power cord set included with the computer meets the requirements for use in the country or region where the equipment is purchased.

Power cord sets for use in other countries and regions must meet the requirements of the country or region where the computer is used.

### Requirements for all countries and regions

The requirements listed below are applicable to all countries and regions:

- The length of the power cord set must be at least 1.5 m (5.0 ft) and no more than 2.0 m (6.5 ft).
- All power cord sets must be approved by an acceptable accredited agency responsible for evaluation in the country or region where the power cord set will be used.
- The power cord sets must have a minimum current capacity of 10 amps and a nominal voltage rating of 125 or 250 V AC, as required by the power system of each country or region.
- The appliance coupler must meet the mechanical configuration of an EN 60 320/IEC 320 Standard Sheet C13 connector for mating with the appliance inlet on the back of the computer.

## Requirements for specific countries and regions


Country/region	Accredited agency	Applicable note number
Australia	EANSW	1
Austria	OVE	1
Belgium	CEBC	1
Canada	CSA	2
Denmark	DEMKO	1
Finland	FIMKO	1
France	UTE	1
Germany	VDE	1
Italy	IMQ	1
Japan	METI	3
South Korea	EK	4
The Netherlands	KEMA	1
Norway	NEMKO	1
The People's Republic of China	CCC	5
Sweden	SEMKO	1
Switzerland	SEV	1
Taiwan	BSMI	4
The United Kingdom	BSI	1
The United States	UL	2


1. The flexible cord must be Type HO5VV-F, 3-conductor, 1.0-mm<sup>2</sup> conductor size. Power cord set fittings (appliance coupler and wall plug) must bear the certification mark of the agency responsible for evaluation in the country or region where it will be used.
2. The flexible cord must be Type SPT-3 or equivalent, No. 18 AWG, 3-conductor. The wall plug must be a two-pole grounding type with a NEMA 5-15P (15 A, 125 V) or NEMA 6-15P (15 A, 250 V) configuration.
3. The appliance coupler, flexible cord, and wall plug must bear a "T" mark and registration number in accordance with the Japanese Dentori Law. The flexible cord must be Type VCT or VCTF, 3-conductor, 1.00-mm<sup>2</sup> conductor size. The wall plug must be a two-pole grounding type with a Japanese Industrial Standard C8303 (7 A, 125 V) configuration.
4. The flexible cord must be Type RVV, 3-conductor, 0.75-mm<sup>2</sup> conductor size. Power cord set fittings (appliance coupler and wall plug) must bear the certification mark of the agency responsible for evaluation in the country or region where it will be used.
5. The flexible cord must be Type VCTF, 3-conductor, 0.75-mm<sup>2</sup> conductor size. Power cord set fittings (appliance coupler and wall plug) must bear the certification mark of the agency responsible for evaluation in the country or region where it will be used.


## Battery

When a battery has reached the end of its useful life, do not dispose of the battery in general household waste. Follow the local laws and regulations in your area for computer battery disposal.

## Display


 **WARNING:** The backlight contains mercury. Exercise caution when removing and handling the backlight to avoid damaging this component and causing exposure to the mercury.

 **CAUTION:** The procedures in this chapter can result in damage to display components. The only components intended for recycling purposes are the liquid crystal display (LCD) panel and the backlight. When you remove these components, handle them carefully.

 **Materials Disposal.** This HP product contains mercury in the backlight in the display assembly that might require special handling at end-of-life. Disposal of mercury may be regulated because of environmental considerations. For disposal or recycling information, contact your local authorities, or see the Electronic Industries Alliance (EIA) Web site at <http://www.eiae.org>.

This section provides disassembly instructions for the display assembly. The display assembly must be disassembled to gain access to the backlight ❶ and the liquid crystal display (LCD) panel ❷.

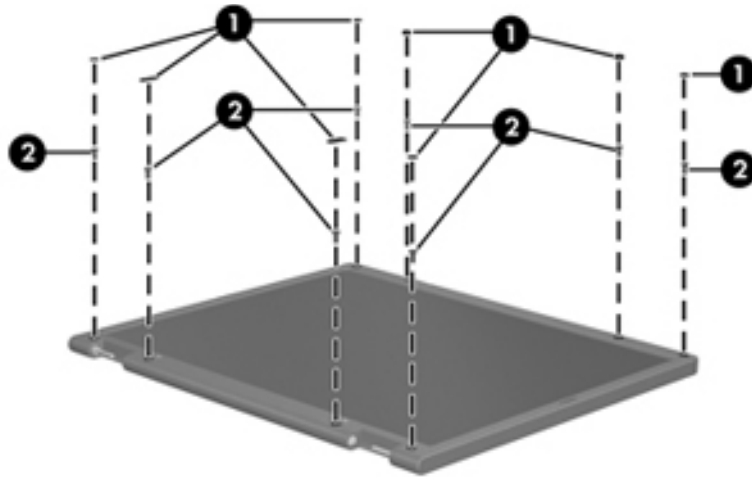


 The procedures provided in this chapter are general disassembly instructions. Specific details, such as screw sizes, quantities, and locations, and component shapes and sizes, can vary from one computer model to another.

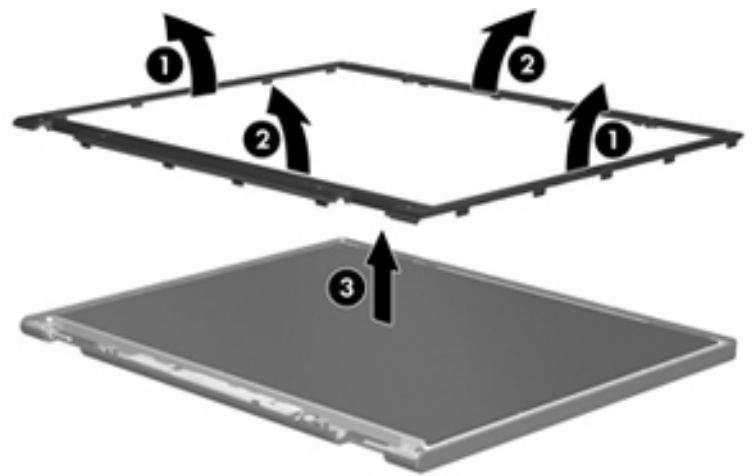


Perform the following steps to disassemble the display assembly:

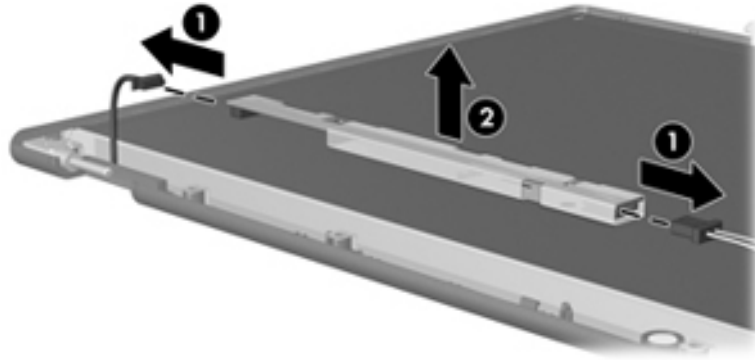
1. Remove all screw covers ❶ and screws ❷ that secure the display bezel to the display assembly.



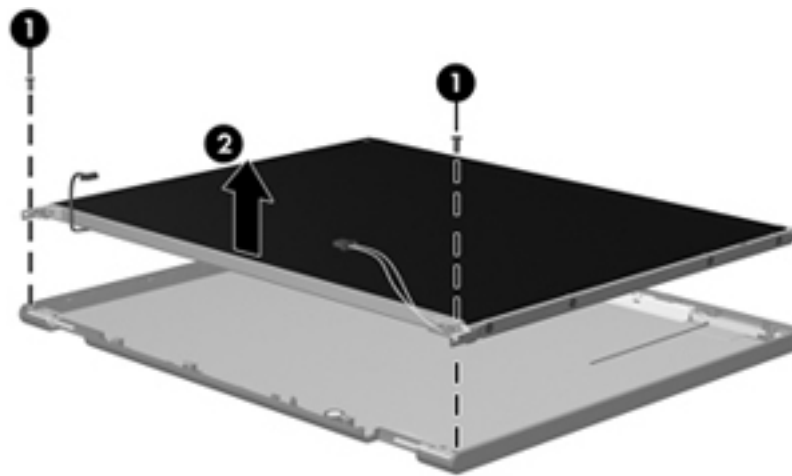
2. Lift up and out on the left and right inside edges ❶ and the top and bottom inside edges ❷ of the display bezel until the bezel disengages from the display assembly.
3. Remove the display bezel ❸.



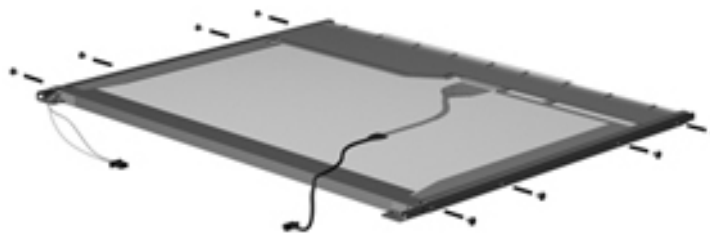
4. Disconnect all display panel cables ❶ from the display inverter and remove the inverter ❷.



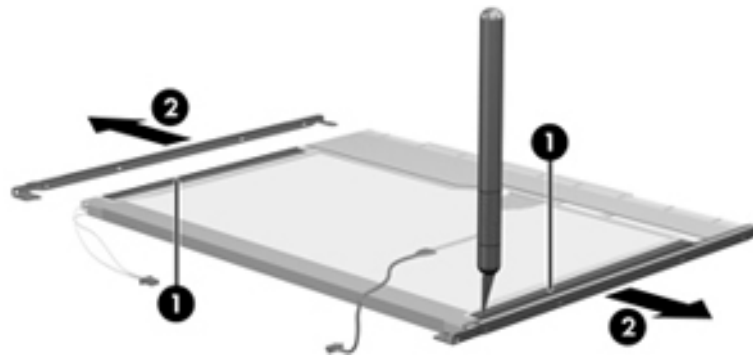
5. Remove all screws ❶ that secure the display panel assembly to the display enclosure.
6. Remove the display panel assembly ❷ from the display enclosure.



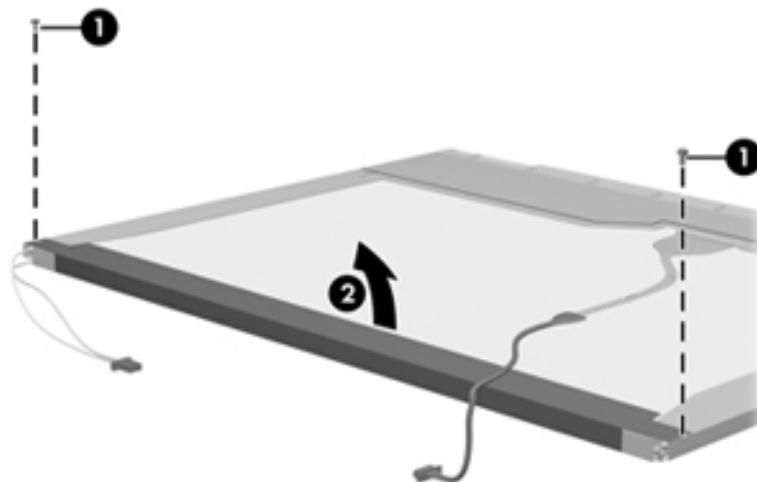
7. Turn the display panel assembly upside down.
8. Remove all screws that secure the display panel frame to the display panel.



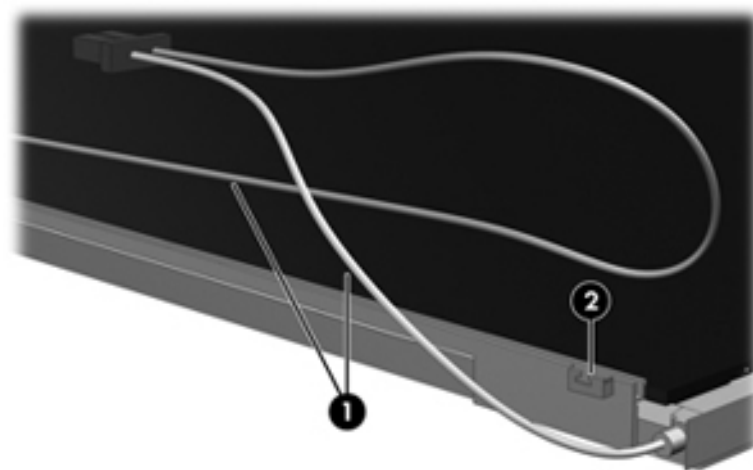
9. Use a sharp-edged tool to cut the tape ❶ that secures the sides of the display panel to the display panel frame.
10. Remove the display panel frame ❷ from the display panel.



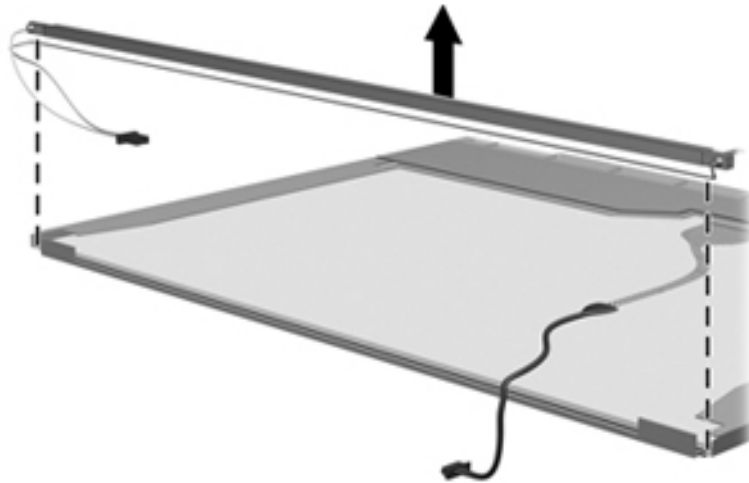
11. Remove the screws ❶ that secure the backlight cover to the display panel.
12. Lift the top edge of the backlight cover ❷ and swing it outward.



13. Remove the backlight cover.
14. Turn the display panel right-side up.
15. Remove the backlight cables ❶ from the clip ❷ in the display panel.

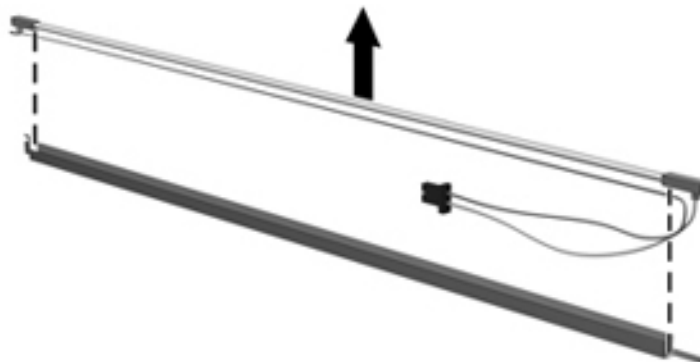


16. Turn the display panel upside down.
17. Remove the backlight frame from the display panel.

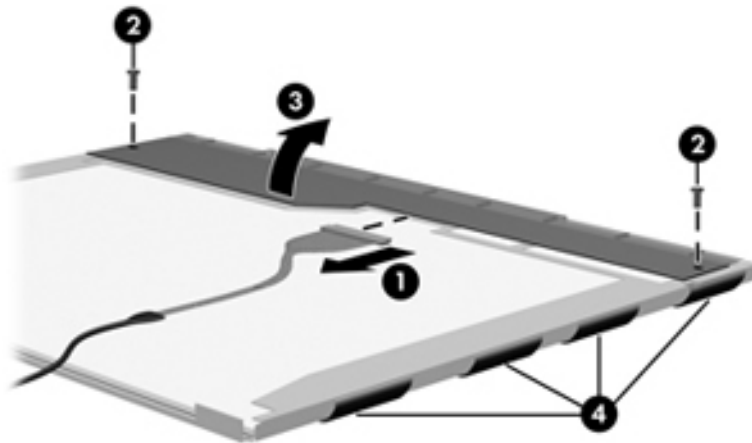


**WARNING:** The backlight contains mercury. Exercise caution when removing and handling the backlight to avoid damaging this component and causing exposure to the mercury.

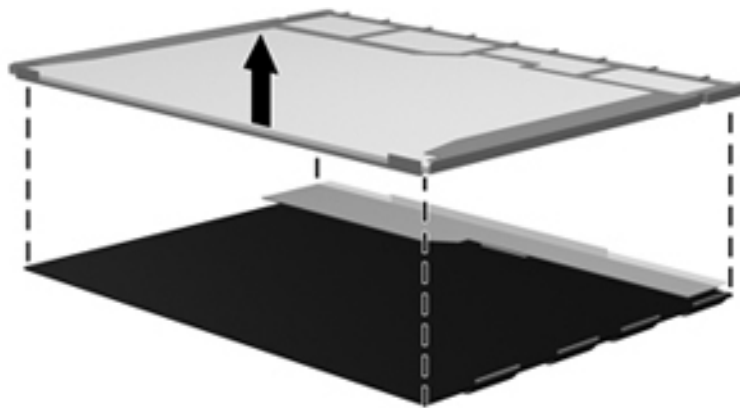
18. Remove the backlight from the backlight frame.



19. Disconnect the display cable ❶ from the LCD panel.
20. Remove the screws ❷ that secure the LCD panel to the display rear panel.
21. Release the LCD panel ❸ from the display rear panel.
22. Release the tape ❹ that secures the LCD panel to the display rear panel.



23. Remove the LCD panel.



24. Recycle the LCD panel and backlight.

## A

AC adapter light 2-7

AC adapters

product description 1-4

spare part numbers 3-12

antenna

components 2-1

disconnecting 4-14

location 4-14

spare part number 2-1, 3-3

audio, product description 1-3

audio-in jack

location 2-6

pin assignments 9-1

audio-out jack

location 2-6

pin assignments 9-1

## B

backing up 8-1, 8-2

backup

files and folders 8-2

hard drive 8-3

scheduling 8-2

base enclosure, spare part number 3-4, 3-16, 3-17

battery

removal 4-7

spare part number 3-4, 3-15, 4-6

battery bay 2-9

battery light 2-2, 2-6

battery release latch 2-9

BIOS administrator password 5-3

Bluetooth module

removal 4-32

spare part number 4-32

Bluetooth module cable 3-16

removal 4-32

spare part number 3-5, 3-16, 4-32

Blu-ray disc specifications 6-5

Blu-ray ROM DVD±RW SuperMulti DL Drive

product description 1-3

removal 4-8

spare part number 3-15, 4-7

specifications 6-5

boot options 5-4

boot order 5-4

bottom components 2-9

built-in devices

Bluetooth device radio 2-9

wireless button 2-3

WLAN device radio 2-9

built-in devices, modem 1-3

buttons

power 2-3

wireless 2-3

## C

cables, service consideration 4-1

caps lock light 2-2

chipset, product description 1-1

CMOS clearing 4-4

components

bottom 2-9

buttons 2-3

display 2-1

front 2-6

keys 2-4

left-side 2-7

lights 2-2

rear 2-6

right-side 2-8

top 2-1

TouchPad 2-5

wireless antennae 2-1, 3-9

computer feet

locations 4-6

spare part number 4-6

computer specifications 6-1

connectors

power 2-7

service consideration 4-1

creating recovery discs 8-1

creating recovery points 8-3

## D

Diagnostics menu 5-4

Digital Media Slot 2-7

display assembly

removal 4-20

spare part number 3-3, 3-15, 4-20

- display bezel 3–9
  - removal 4–21, 4–22
  - spare part number 3–9, 3–16
- display component recycling 11–1
- display hinges
  - removal 4–21, 4–23
  - spare part number 3–9, 3–16, 4–23
- display inverter
  - spare part number 3–9, 3–15
- Display Rubber Kit, spare part number 3–9, 3–16, 4–21
- display specifications 6–2
- drive light 2–2, 2–6
- DVD±RW and CD-RW SuperMulti Double-Layer Combo Drive
  - precautions 4–2
  - product description 1–3
  - removal 4–8
  - spare part number 3–8, 3–11, 3–15, 4–7
  - specifications 6–4
- DVD±RW and CD-RW SuperMulti Double-Layer Combo Drive with LightScribe
  - product description 1–3
  - removal 4–8
  - spare part number 3–11, 3–15, 4–7
  - specifications 6–5

**E**

- electrostatic discharge 4–2
- esc** key 2–4
- Ethernet, product description 1–3
- external media cards, product description 1–3
- external monitor port
  - location 2–7
  - pin assignments 9–2

**F**

- f11 recovery 8–4
- factory state, recovering to 8–1
- fan/heatsink assembly
  - removal 4–39
  - spare part number 4–39
- feet
  - locations 4–6
  - spare part number 4–6
- fn** key 2–4
- front components 2–6
- function keys 2–4

**G**

- graphics, product description 1–2
- grounding equipment 4–4

**H**

- hard drive
  - precautions 4–2
  - product description 1–2
  - removal 4–9
  - spare part number 3–5, 3–11, 3–15, 4–9
  - specifications 6–3
- hard drive backup 8–3
- hard drive bay 2–9
- hard drive bracket, removal 4–10
- hard drive cover
  - illustration 3–3, 3–10
  - removal 4–9
  - spare part number 3–10
- HDMI port
  - location 2–7
  - pin assignments 9–3
  - product description 1–3
- headphone jack
  - location 2–6
  - pin assignments 9–1
- heat sink
  - removal 4–39
  - spare part number 3–3, 4–39
- hinges
  - removal 4–21
  - spare part number 3–9, 3–16

**I**

- I/O address specifications 6–7
- internal display switch 2–1
- interrupt specifications 6–6

**J**

- jacks
  - audio-in 2–6
  - audio-out 2–6
  - headphones 2–6
  - microphone 2–6
  - modem 2–8
  - network 2–7
  - RJ-11 2–8
  - RJ-45 2–7

**K**

- key components 2–4
- keyboard
  - product description 1–4
  - removal 4–15
  - spare part number 3–3, 3–15, 4–15
- keyboard cover
  - removal 4–17
  - spare part number 3–3, 3–16, 4–17

keypad keys 2–4

keys

**esc** 2–4

**fn** 2–4

  function 2–4

  keypad 2–4

  Windows applications 2–4

  Windows logo 2–4

## L

LAN Power Saving 5–4

language, changing in Setup Utility 5–1

left-side components 2–7

lights

  AC adapter 2–7

  battery 2–2

  caps lock 2–2

  drive 2–2

  num lock 2–2

  optical drive 2–8

  power 2–2

  TouchPad 2–2, 2–5

  wireless 2–2

## M

Main menu 5–3

mass storage devices, spare part number 3–11

media cards, supported 2–7

memory map specifications 6–8

memory module

  compartment 2–9

  product description 1–2

  removal 4–12

  spare part numbers 3–5, 3–14, 4–12

memory module compartment cover

  illustration 3–3, 3–10

  removal 4–12

  spare part number 3–10

microphone

  location 2–1

  product description 1–3

microphone jack

  location 2–6

  pin assignments 9–1

model name 1–1, 4–5

modem jack

  location 2–8

  pin assignments 9–4

modem module, product description 1–3

monitor port

  location 2–7

  pin assignments 9–2

## N

network jack

  location 2–7

  pin assignments 9–4

num lock light 2–2

## O

operating system, product description 1–4

optical drive

  location 2–8

  precautions 4–2

  product description 1–3

  removal 4–8

  spare part number 3–8, 3–11, 4–7

  specifications 6–4, 6–5

optical drive connector

  product description 3–4

  removal 4–37

  spare part number 3–4, 3–16

optical drive light 2–8

## P

packaging guidelines 4–3

panel, product description 1–2

password clearing 4–4

pin assignments

  audio-in 9–1

  audio-out 9–1

  HDMI 9–3

  headphone 9–1

  headphone jack 2–6

  microphone 9–1

  microphone jack 2–6

  modem 9–4

  monitor port 9–2

  network 9–4

  RJ-11 2–8, 9–4

  RJ-45 9–4

  USB 9–5

plastic parts 4–1

Plastics Kit

  contents 3–10

  spare part number 3–3, 3–16

ports

  HDMI 2–7

  monitor 2–7

  product description 1–3

  USB 2–7, 2–8

power button 2–3

power button board

  removal 4–19

  spare part number 3–3, 3–16, 4–19



- Power connector cable
  - product description 3–4
  - spare part number 3–4
- power cord
  - set requirements 10–1
  - spare part number 3–12, 3–16
- power lights 2–2
- processor
  - product description 1–1
  - removal 4–43
  - spare part number 3–4, 3–17, 4–42
- product description
  - audio 1–3
  - chipset 1–1
  - Ethernet 1–3
  - external media cards 1–3
  - graphics 1–2
  - hard drives 1–2
  - keyboard 1–4
  - memory module 1–2
  - microphone 1–3
  - modem module 1–3
  - operating system 1–4
  - optical drives 1–3
  - panel 1–2
  - ports 1–3
  - power requirements 1–4
  - processors 1–1
  - product name 1–1
  - security 1–4
  - serviceability 1–4
  - TouchPad 2–5
  - video 2–7
  - webcam 1–3
  - wireless 1–3
- product name 1–1
- R**
- rear components 2–6
- recovery methods
  - f11 recovery 8–4
  - recovery discs 8–4
  - Recovery Manager 8–4
- recovery partition 8–4
- removal/replacement
  - preliminaries 4–1
  - procedures 4–5
- restore points 8–3
- restoring factory settings 5–2
- right-side components 2–8
- RJ-11 (modem) jack
  - location 2–8
  - pin assignments 9–4
- RJ-45 (network) jack
  - location 2–7
  - pin assignments 9–4
- RTC battery
  - removal 4–11
  - spare part number 3–5, 3–17, 4–11
- Rubber Kit, spare part number 3–4, 3–15
- S**
- scheduling backups 8–2
- Screw Kit
  - contents 3–12
  - spare part number 3–9, 3–16, 7–1
- screw listing 7–1
- security cable slot 2–8
- Security menu
  - BIOS administrator password 5–3
  - Power-On password 5–3
- security, product description 1–4
- serial number 3–1
- serviceability, product description 1–4
- Setup Utility
  - accessing 5–1
  - changing the language 5–1
  - Diagnostics menu 5–4
  - displaying system information 5–2
  - exiting 5–3
  - Main menu 5–3
  - navigating and selecting 5–2
  - restoring default settings 5–2
  - System Configuration menu 5–4
- speaker
  - removal 4–33
  - spare part number 3–4, 3–16, 4–33
- specifications
  - Blu-ray ROM DVD±RW SuperMulti DL Drive 6–5
  - display 6–2
  - DVD±RW and CD-RW SuperMulti Double-Layer Combo Drive 6–4
  - DVD±RW and CD-RW SuperMulti Double-Layer Combo Drive with LightScribe 6–5
  - hard drive 6–3
  - I/O addresses 6–7
  - interrupts 6–6
  - memory map 6–8
  - system DMA 6–6
- system backup 8–1
- system board
  - removal 4–36
  - spare part number 3–4, 3–15, 4–35
- system board, spare part number 3–16
- System Configuration menu 5–4
- system information 5–2, 5–3

system memory map 6–8  
system recovery points 8–3

## T

thermal material 4–40  
tools required 4–1  
top components 2–1  
top cover  
    removal 4–26  
    spare part number 3–3, 3–16, 4–26  
TouchPad board bracket  
    removal 4–29  
    spare part number 3–3, 3–16  
TouchPad button board  
    removal 4–29  
    spare part number 3–3, 3–16, 4–28  
TouchPad light 2–2, 2–5  
TouchPad on/off button 2–5  
TouchPad scroll zone 2–5  
TouchPad, location 2–5

## U

unknown password 4–4  
USB port  
    location 2–7, 2–8  
    pin assignments 9–5  
user replaceable parts 1–4

## V

vents 2–6, 2–9  
video, product description 2–1  
volume keys 2–4

## W

warranty period 3–1, 4–5  
webcam  
    location 2–1  
    product description 1–3  
    removal 4–22  
    spare part number 3–9, 3–16  
webcam light 2–1  
Windows application keys 2–4  
Windows logo key 2–4  
wireless antenna  
    disconnecting 4–20  
    location 2–1  
    spare part number 3–9, 3–16  
Wireless Antenna Kit, spare part number 3–9, 3–16  
wireless button 2–3  
wireless compartment cover  
    illustration 3–3, 3–10  
    removal 4–14  
    spare part number 3–10  
wireless light 2–2

wireless module compartment 2–9  
wireless, product description 1–3  
WLAN module compartment cover  
    illustration 3–3, 3–10  
    removal 4–14  
    spare part number 3–10  
WLAN modules  
    removal 4–14  
    spare part number 3–5, 3–6, 3–7  
workstation guidelines 4–3