

Drives

User Guide

© Copyright 2008 Hewlett-Packard
Development Company, L.P.

Windows and Windows Vista are either
trademarks or registered trademarks of
Microsoft Corporation in the United States
and/or other countries.

The information contained herein is subject
to change without notice. The only
warranties for HP products and services are
set forth in the express warranty statements
accompanying such products and services.
Nothing herein should be construed as
constituting an additional warranty. HP shall
not be liable for technical or editorial errors
or omissions contained herein.

First Edition: September 2008

Document Part Number: 483214-001

Product notice


This user guide describes features that are
common to most models. Some features
may not be available on your computer.

Table of contents

1 Identifying installed drives	
2 Handling drives	
3 Using HP 3D DriveGuard	
Identifying HP 3D DriveGuard status	4
Using HP 3D DriveGuard software	5
4 Improving hard drive performance	
Using Disk Defragmenter	6
Using Disk Cleanup	6
5 Replacing a hard drive	
6 Using external drives	
Using an optional external MultiBay or external MultiBay II	12
Index	13

1 Identifying installed drives

To view the drives installed on the computer, select **Start > Computer**.

 **NOTE:** Windows® includes the User Account Control feature to improve the security of your computer. You may be prompted for your permission or password for tasks such as installing software, running utilities, or changing Windows settings. Refer to Help and Support for more information.

2 Handling drives

Drives are fragile computer components that must be handled with care. Refer to the following cautions before handling drives. Additional cautions are included with the procedures to which they apply.

△ **CAUTION:** To reduce the risk of damage to the computer, damage to a drive, or loss of information, observe these precautions:

Before you move a computer that is connected to an external hard drive, initiate Sleep and allow the screen to clear, or properly disconnect the external hard drive.

Before handling a drive, discharge static electricity by touching the unpainted metal surface of the drive.

Do not touch the connector pins on a removable drive or on the computer.

Handle a drive carefully; do not drop a drive or place items on it.

Before removing or inserting a drive, shut down the computer. If you are unsure whether the computer is off, in the Sleep state, or in Hibernation, turn the computer on, and then shut it down through the operating system.

Do not use excessive force when inserting a drive into a drive bay.

Do not type on the keyboard or move the computer while an optional external optical drive is writing to a disc. The write process is sensitive to vibration.

When the battery is the only source of power, be sure that the battery is sufficiently charged before writing to media.

Avoid exposing a drive to temperature or humidity extremes.

Avoid exposing a drive to liquids. Do not spray the drive with cleaning products.

Remove media from a drive before removing the drive from the drive bay, or traveling with, shipping, or storing a drive.

If a drive must be mailed, place the drive in a bubble-pack mailer or other suitable protective packaging and label the package "FRAGILE."


Avoid exposing a drive to magnetic fields. Security devices with magnetic fields include airport walk-through devices and security wands. The airport security devices that check carry-on luggage, such as conveyor belts, use X-rays instead of magnetism and will not damage a drive.

3 Using HP 3D DriveGuard

HP 3D DriveGuard protects the hard drive by parking the drive and halting I/O requests under either of the following conditions:

- You drop the computer.
- You move the computer with the display closed while the computer is running on battery power.

A short time after the end of one of these events, HP 3D DriveGuard returns the hard drive to normal operation.

 **NOTE:** If the upgrade bay contains a hard drive, the hard drive is protected by HP 3D DriveGuard. Hard drives installed in optional docking devices or connected to USB ports are not protected by HP 3D DriveGuard.


Because solid-state drives lack rotating parts, protection by HP 3D DriveGuard is unnecessary.

For more information, refer to the HP 3D DriveGuard software Help.

Identifying HP 3D DriveGuard status

The drive light on the computer changes to an amber color to show that the drive is parked. To determine whether drives are currently protected or whether a drive is parked, select **Start > Control Panel > Mobile PC > Windows Mobility Center**:

- If the software is enabled, a green check mark is superimposed over the hard drive icon.
- If the software is disabled, a red X is superimposed over the hard drive icon.
- If the drives are parked, a yellow moon is superimposed over the hard drive icon.

 **NOTE:** The icon in the Mobility Center may not show the most up-to-date status for the drive. For immediate updates after a change in status, you need to enable the notification area icon.

To enable the notification area icon:


1. Select **Start > Control Panel > Hardware and Sound > HP 3D DriveGuard**.

 **NOTE:** If prompted by User Account Control, click **Allow**.

2. On the **Icon in system tray** row, click **Show**.
3. Click **OK**.

If HP 3D DriveGuard has parked the drive, the computer will behave in the following ways:

- The computer will not shut down.
- The computer will not initiate Sleep or Hibernation, except as described in the following Note.

 **NOTE:** If the computer is running on battery power and reaches a critical battery level, HP 3D DriveGuard allows the computer to initiate Hibernation.


- The computer will not activate battery alarms set on the Alarms tab in Power Options properties.

Before you move the computer, HP recommends that you either shut it down or initiate Sleep or Hibernation.

Using HP 3D DriveGuard software

The HP 3D DriveGuard software enables you to perform the following tasks:

- Enable and disable HP 3D DriveGuard.

 **NOTE:** Permission to enable or disable HP 3D DriveGuard is dependent on certain user privileges. Members of an Administrator group can change privileges for non-Administrator users.

- Determine whether a drive in the system is supported.

To open the software and change settings, follow these steps:

1. In Mobility Center, click the hard drive icon to open the HP 3D DriveGuard window.

– or –

Select **Start > Control Panel > Hardware and Sound > HP 3D DriveGuard**.

2. Click the appropriate button to change settings.
3. Click **OK**.

4 Improving hard drive performance

Using Disk Defragmenter


As you use the computer, files on the hard drive become fragmented. Disk Defragmenter consolidates the fragmented files and folders on the hard drive so that the system can run more efficiently.

After you start Disk Defragmenter, it works without supervision. Depending on the size of your hard drive and the number of fragmented files, Disk Defragmenter may take more than an hour to complete. You may want to set it to run during the night or another time when you do not need access to your computer.

HP recommends defragmenting your hard drive at least once a month. You may set Disk Defragmenter to run on a monthly schedule, but you can defragment your computer manually at any time.

To run Disk Defragmenter:

1. Select **Start > All Programs > Accessories > System Tools > Disk Defragmenter**.
2. Click **Defragment now**.

 **NOTE:** Windows® includes the User Account Control feature to improve the security of your computer. You may be prompted for your permission or password for tasks such as installing software, running utilities, or changing Windows settings. Refer to Help and Support for more information.

For additional information, access the Disk Defragmenter software Help.

Using Disk Cleanup

Disk Cleanup searches the hard drive for unnecessary files that you can safely delete to free up disk space and help the computer to run more efficiently.

To run Disk Cleanup:

1. Select **Start > All Programs > Accessories > System Tools > Disk Cleanup**.
2. Follow the on-screen instructions.

5 Replacing a hard drive

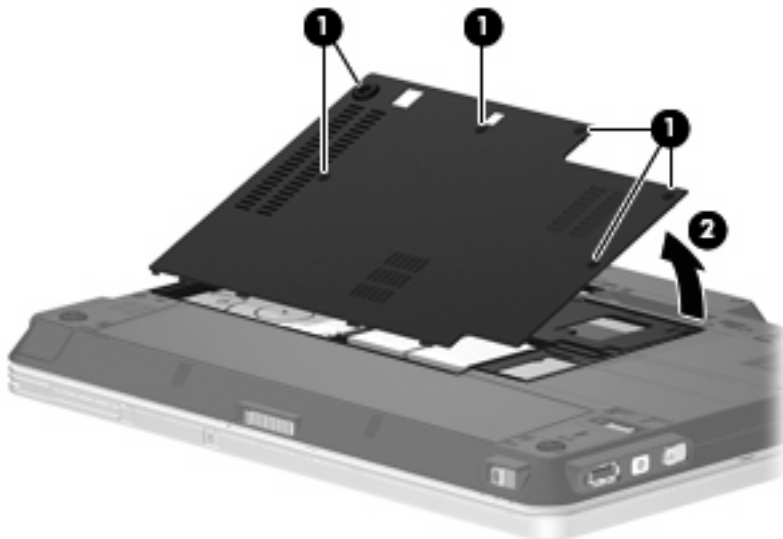
△ **CAUTION:** To prevent information loss or an unresponsive system:

Shut down the computer before removing the hard drive from the hard drive bay. Do not remove the hard drive while the computer is on, in the Sleep state, or in Hibernation.

If you are not sure whether the computer is off or in Hibernation, turn the computer on by pressing the power button. Then shut down the computer through the operating system.

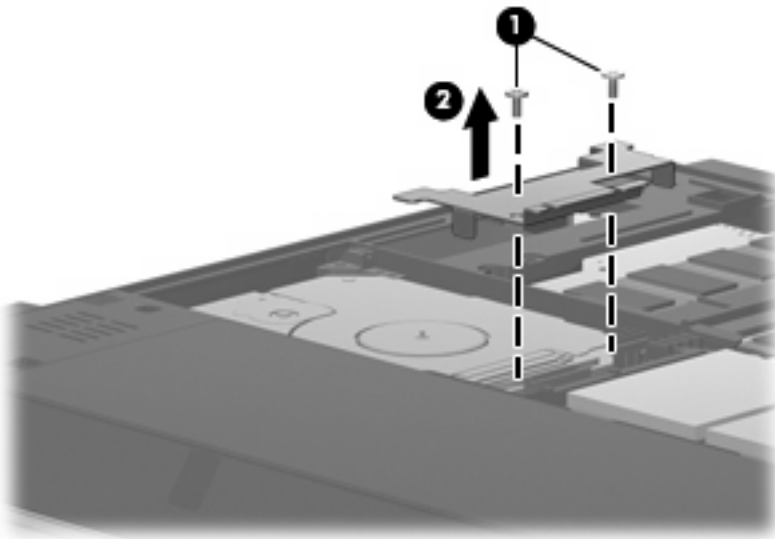
To remove a hard drive:

1. Save your work.
2. Shut down the computer and close the display.
3. Disconnect all external hardware devices connected to the computer.
4. Unplug the power cord from the AC outlet.
5. Turn the computer upside down on a flat surface, with the hard drive bay toward you.
6. Remove the battery from the computer.
7. Loosen the 6 hard drive cover screws (1).
8. Lift the hard drive cover away from the computer (2).

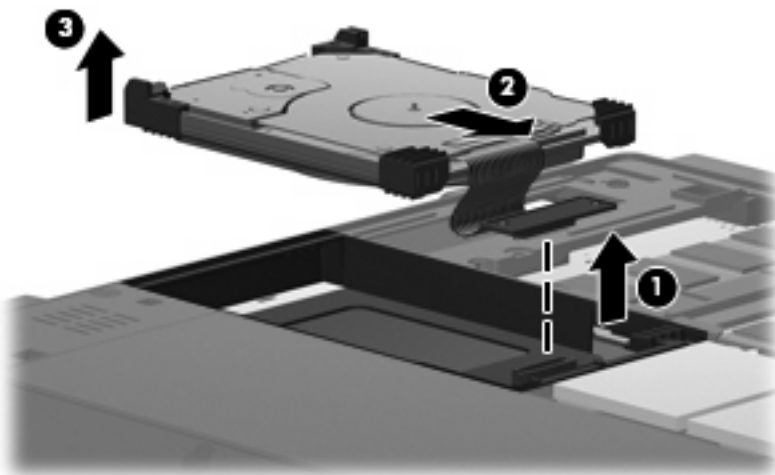


9. Remove the 2 hard drive bracket screws (1).

10. Remove the hard drive bracket (2).



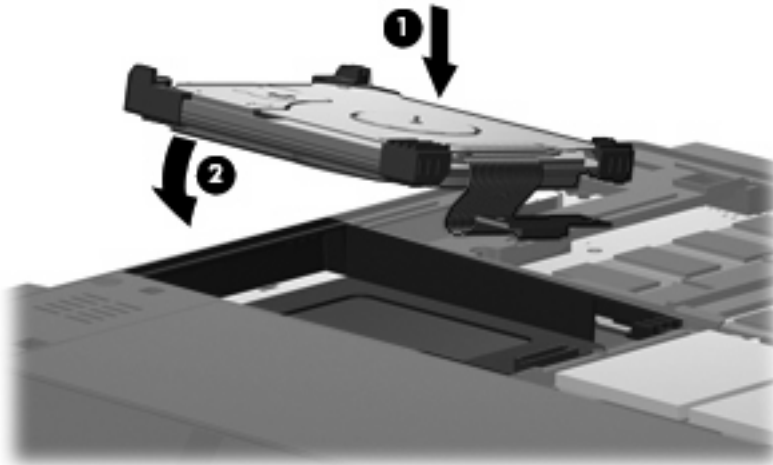
11. Disconnect the hard drive cable (1) from the computer.
12. Release the hard drive by sliding it toward the hard drive cable connector (2).
13. Lift the hard drive (3) out of the hard drive bay.



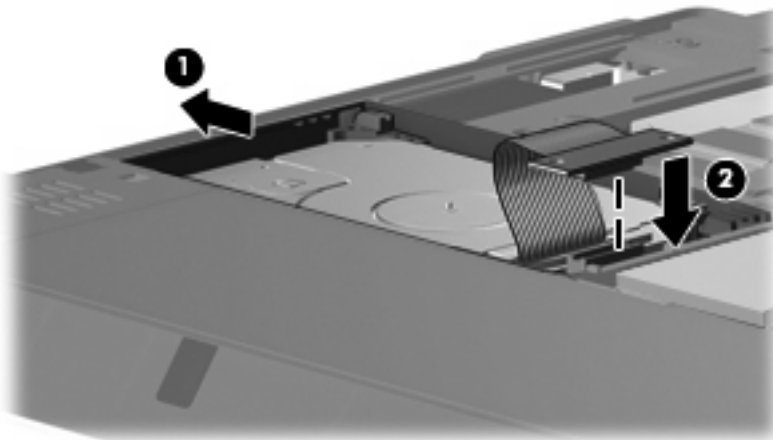
To install a hard drive:

1. Align and insert the top side of the hard drive into the hard drive bay (1).

2. Gently press the hard drive into the hard drive bay (2).

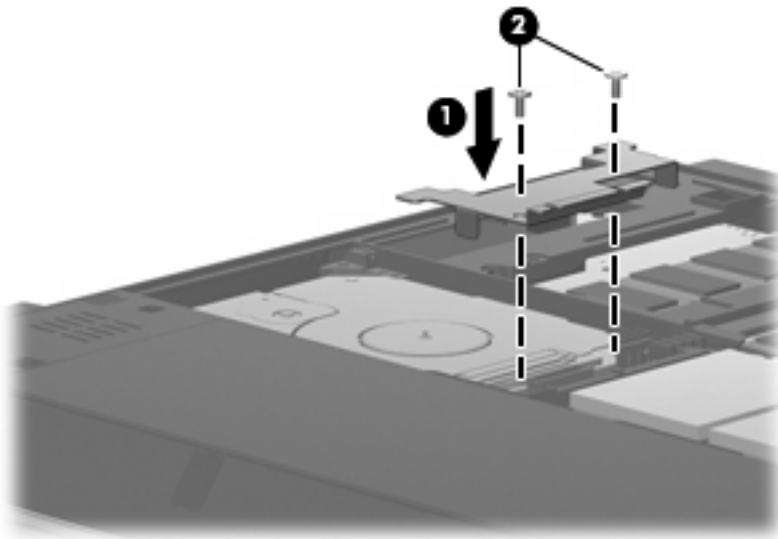


3. Secure the hard drive by sliding it away from the hard drive cable connector (1).
4. Connect the hard drive cable (2) to the computer.

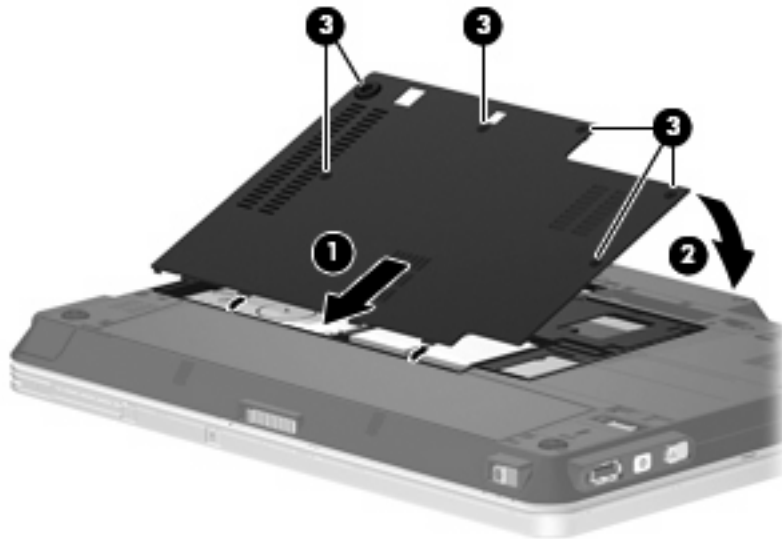


5. Replace the hard drive bracket (1).

6. Replace the 2 hard drive bracket screws (2).



7. Align the tabs (1) on the hard drive cover with the notches on the computer.
8. Close the cover (2).
9. Tighten the 6 hard drive cover screws (3).




6 Using external drives


Removable external drives expand your options for storing and accessing information. A USB drive can be added by connecting the drive to a USB port on the computer or on an optional docking device.

USB drives include the following types:

- 1.44-megabyte diskette drive
- Hard drive module (a hard drive with an adapter attached)
- DVD-ROM Drive
- DVD/CD-RW Combo Drive
- DVD+RW and CD-RW Combo Drive
- DVD±RW and CD-RW Combo Drive

 **NOTE:** For more information about required software and drivers, or to learn which computer port to use, refer to the manufacturer's instructions.

To connect an external drive to the computer:

 **CAUTION:** To reduce the risk of damage to the equipment when connecting a powered drive, be sure that the AC power cord is unplugged.

1. Connect the drive to the computer.
2. If you are connecting a powered drive, plug the drive power cord into a grounded AC outlet.
3. Turn on the device.

To disconnect a powered external drive, disconnect it from the computer, and then unplug the AC power cord.

Using an optional external MultiBay or external MultiBay II

An external MultiBay or MultiBay II connects to a USB port on the computer and enables you to use MultiBay and MultiBay II devices. The computer provides one powered USB port on the right side of the computer. This port provides power to the external MultiBay when used with a powered USB cable. An external MultiBay connected to the other USB port on the computer must be connected to AC power.

For more information about the external MultiBay, refer to the user guide that is included with the device.

Index

A

airport security devices 2

C

CD drive 11

D

Disk Cleanup software 6

Disk Defragmenter software 6

disk performance 6

diskette drive 11

drive light 4

drives

- caring for 2

- diskette 11

- external 11

- hard 7, 8, 11

- MultiBay 12

- optical 11

- See also* hard drive; optical drive

DVD drive 11

E

external drive 11

H

hard disk drive

- external 11

- HP 3D DriveGuard 3

- installing 8

- replacing 7

hard drive

- external 11

- HP 3D DriveGuard 3

- installing 8

- replacing 7

HP 3D DriveGuard 3

L

light, drive 4

M

maintenance

- Disk Cleanup 6

- Disk Defragmenter 6

MultiBay 12

O

optical drive 11

S

software

- Disk Cleanup 6

- Disk Defragmenter 6

