

HP Compaq 6730s Notebook PC  
HP Compaq 6735s Notebook PC  
Maintenance and Service Guide

© Copyright 2008 Hewlett-Packard  
Development Company, L.P.

AMD Athlon, AMD Sempron, and AMD Turion are trademarks of Advanced Micro Devices, Inc. Bluetooth is a trademark owned by its proprietor and used by Hewlett-Packard Company under license. Intel, Core, and Celeron are trademarks of Intel Corporation in the United States and other countries. Microsoft, Windows, and Windows Vista are U.S. registered trademarks of Microsoft Corporation. SD Logo is a trademark of its proprietor.

The information contained herein is subject to change without notice. The only warranties for HP products and services are set forth in the express warranty statements accompanying such products and services. Nothing herein should be construed as constituting an additional warranty. HP shall not be liable for technical or editorial errors or omissions contained herein.

First Edition: October 2008

Document Part Number: 490126-001

## Safety warning notice

- 
- ⚠ **WARNING!** To reduce the possibility of heat-related injuries or of overheating the computer, do not place the computer directly on your lap or obstruct the computer air vents. Use the computer only on a hard, flat surface. Do not allow another hard surface, such as an adjoining optional printer, or a soft surface, such as pillows or rugs or clothing, to block airflow. Also, do not allow the AC adapter to contact the skin or a soft surface, such as pillows or rugs or clothing, during operation. The computer and the AC adapter comply with the user-accessible surface temperature limits defined by the International Standard for Safety of Information Technology Equipment (IEC 60950).
-



---

# Table of contents

## 1 Product description

## 2 External component identification

Top components .....	9
Display components .....	9
TouchPad .....	10
Buttons, switch, lights, and speakers .....	11
Keys .....	12
Front components .....	14
Right-side components .....	14
Left-side components .....	15
Bottom components .....	16

## 3 Illustrated parts catalog

Service tag .....	17
Computer major components .....	18
Plastics Kit .....	28
Cable Kit .....	29
Mass storage devices .....	30
Miscellaneous parts .....	32
Sequential part number listing .....	34

## 4 Removal and replacement procedures

Preliminary replacement requirements .....	42
Tools required .....	42
Service considerations .....	42
Plastic parts .....	42
Cables and connectors .....	43
Drive handling .....	43
Grounding guidelines .....	44
Electrostatic discharge damage .....	44
Packaging and transporting guidelines .....	45
Workstation guidelines .....	45

Equipment guidelines .....	46
Unknown user password .....	47
Component replacement procedures .....	48
Service tag location .....	48
Computer feet .....	49
Battery .....	50
Hard drive .....	51
WLAN module .....	54
Memory module .....	57
Optical drive .....	59
Switch cover and keyboard .....	61
Speakers .....	66
Display assembly .....	67
Top cover .....	74
USB connector module .....	77
Bluetooth module .....	78
RTC battery .....	80
Fan .....	81
System board .....	83
Modem module .....	86
Heat sink .....	88
Processor .....	92

## 5 Computer Setup

Starting Computer Setup .....	95
Using Computer Setup .....	96
Navigating and selecting in Computer Setup .....	96
Restoring factory settings in Computer Setup .....	96
Computer Setup menus .....	98
File menu .....	98
Security menu .....	99
Diagnostics menu .....	100
System Configuration menu .....	101

## 6 Specifications

Computer specifications .....	104
15.4-inch WXGA display specifications .....	105
Hard drive specifications .....	106
DVD-ROM Drive specifications .....	107
DVD±RW Double-Layer Combo Drive specifications .....	108
DVD±RW SuperMulti Double-Layer Drive specifications .....	109
Blu-ray Disc ROM Drive with SuperMulti DVD±R/RW Double-Layer specifications .....	110
DVD/CD-RW Combo Drive specifications .....	111

System DMA specifications .....	112
System interrupt specifications .....	113
System I/O address specifications .....	114
System memory map specifications .....	116

## 7 Screw listing

Slotted Torx T8M2.5×7.0 screw .....	117
Phillips PM2.0×3.0 screw .....	120
Phillips PM2.5×6.0 captive screw .....	121
Phillips PM2.5×10.0 captive screw .....	122
Phillips PM3.0×4.0 screw .....	123
Phillips PM2.5×4.0 screw .....	124
Torx T8M2.0×2.0 broadhead screw (9-mm) .....	126
Phillips PM2.0×2.0 broadhead screw (6-mm) .....	127
Torx T8M2.5×4.0 screw .....	128
Torx T8M2.5×6.0 screw .....	129
Torx T8M2.5×5.0 screw .....	131
Phillips PM2.5×4.0 screw .....	132
Phillips PM2.0×2.0 broadhead screw (5-mm) .....	134
Phillips PM2.0×4.0 screw .....	135
Phillips PM2.5×9.0 screw .....	137
Phillips PM2.5×10.0 captive screw .....	138

## 8 Backup and recovery

Backup and recovery in Windows Vista .....	140
Overview .....	140
Backing up your information .....	140
Performing a recovery .....	141
Using the Windows recovery tools .....	142
Using f11 .....	142
Using a Windows Vista operating system DVD (purchased separately) .....	143
Backup and recovery in Windows XP .....	144
Overview .....	144
Backing up your information .....	144
Performing a recovery .....	145
Recovering your information .....	145
Recovering the operating system and programs .....	145

## 9 Connector pin assignments

Audio-in (microphone) .....	146
Audio-out (headphone) .....	146
External monitor .....	146
RJ-11 (modem) .....	148

RJ-45 (network) .....	149
Universal Serial Bus .....	149

**10 Power cord set requirements**

Requirements for all countries and regions .....	150
Requirements for specific countries and regions .....	151

**11 Recycling**

Battery .....	152
Display .....	152

<b>Index .....</b>	<b>158</b>
--------------------	------------



# 1 Product description

Category	Description	Computer models equipped with M780G system board	Computer models equipped with GL40 system board	Computer models equipped with GM45 system board	Computer models equipped with PM45 system board
<b>Product Name</b>	HP Compaq 6730s Notebook PC		√	√	√
	HP Compaq 6735s Notebook PC	√			
<b>Processors</b>	Intel® Core™2 Duo processors				
	• P8600 2.40-GHz processor, 3-MB L2 cache, 1066-MHz front side bus (FSB)			√	√
	• P8400 2.26-GHz processor, 3-MB L2 cache, 1066-MHz FSB			√	√
	• T9400 2.53-GHz processor, 6-MB L2 cache, 1066-MHz FSB			√	√
	• T5670 1.80-GHz processor, 2-MB L2 cache, 800-MHz FSB			√	√
	• T5870 2.0-GHz processor, 2-MB L2 cache, 800-MHz FSB			√	√
	• T7500 2.20-GHz processor, 4-MB L2 cache, 800-MHz FSB			√	√
	• P7370 2.0-GHz processor, 3-MB L2 cache, 1066-MHz FSB			√	√
	Intel Celeron® M processors				
	• 575 2.0-GHz processor, 1-MB L2 cache, 667-MHz FSB		√		
	• 585 2.16-GHz processor, 1-MB L2 cache, 667-MHz FSB		√		
	Intel Celeron Dual-Core processors				
	• T1600 1.66-GHz processor, 1-MB L2 cache, 667-MHz FSB			√	√
	• T1700 1.83-GHz processor, 1-MB L2 cache, 667-MHz FSB			√	√
	AMD Turion™ Ultra Dual-Core processors				

Category	Description	Computer models equipped with M780G system board	Computer models equipped with GL40 system board	Computer models equipped with GM45 system board	Computer models equipped with PM45 system board
	<ul style="list-style-type: none"> <li>ZM-80 2.1-GHz processor, 2-MB L2 cache, 35W</li> </ul>	√			
	<ul style="list-style-type: none"> <li>ZM-82 2.2-GHz processor, 2-MB L2 cache, 35W</li> </ul>	√			
	<ul style="list-style-type: none"> <li>ZM-84 2.3-GHz processor, 2-MB L2 cache, 35W</li> </ul>	√			
	<ul style="list-style-type: none"> <li>ZM-86 2.4-GHz processor, 2-MB L2 cache, 35W</li> </ul>	√			
	AMD Turion Dual-Core processors:				
	<ul style="list-style-type: none"> <li>RM-70 2.0-GHz processor, 1-MB L2 cache, 35W</li> </ul>	√			
	<ul style="list-style-type: none"> <li>RM-72 2.1-GHz processor, 1-MB L2 cache 35W</li> </ul>	√			
	AMD Athlon™ Dual-Core processors:				
	<ul style="list-style-type: none"> <li>QL-60 1.9-GHz processor, 1-MB L2 cache 35W</li> </ul>	√			
	<ul style="list-style-type: none"> <li>QL-62 2.0-GHz processor, 1-MB L2 cache 35W</li> </ul>	√			
	AMD Sempron™ processor:				
	<ul style="list-style-type: none"> <li>SI-40 2.0-GHz processor, 512-KB L2 cache, 25W</li> </ul>	√			
<b>Chipsets</b>	Northbridge: Intel GL40 with up to 667-MHz FSB				√
	Northbridge: Intel GL40 with up to 667-MHz FSB		√		
	Northbridge: Intel GM45 with up to 1066-MHz FSB			√	
	Northbridge: Intel PM45 with up to 1066-MHz FSB				√
	Southbridge: Intel ICH9M		√	√	√
	AMD RS780MN	√			
	Southbridge: AMD SB700	√			
<b>Graphics</b>	ATI-M82se with Hypermemory support, discrete graphics subsystem memory				√
	Intel Universal Memory Architecture (UMA) graphics subsystem integrated with shared video memory (dynamically allocated)		√	√	

Category	Description	Computer models equipped with M780G system board	Computer models equipped with GL40 system board	Computer models equipped with GM45 system board	Computer models equipped with PM45 system board
	AMD RS780MN Integrated Universal Memory Architecture (UMA) graphics subsystem with shared video memory (dynamically allocated)	√			
<b>Panels</b>	All display assemblies include 2 wireless local area network (WLAN) antennae	√	√	√	√
	<ul style="list-style-type: none"> <li>15.4-inch WXGA</li> </ul>	√	√	√	√
	<ul style="list-style-type: none"> <li>15.4-inch WXGA BrightView</li> </ul>	√	√	√	√
	<ul style="list-style-type: none"> <li>15.4-inch WXGA with webcam</li> </ul>	√	√	√	√
	<ul style="list-style-type: none"> <li>15.4-inch WXGA BrightView with webcam</li> </ul>	√	√	√	√
<b>Memory</b>	2 customer-accessible/upgradable memory module slots	√	√	√	√
	Supports dual-channel memory	√	√	√	√
	Supports up to 4 GB of system RAM	√	√	√	√
	PC2-5300, 667-MHz, DDR2	√	√	√	√
	PC2-5300, 800-MHz, DDR2	√	√	√	√
	Supports the following configurations in all countries and regions except Brazil:	√	√	√	√
	<ul style="list-style-type: none"> <li>8192-MB total system memory (4096 x 2, dual-channel)</li> <li>4096-MB total system memory (4096 x 1, dual-channel)</li> <li>4096-MB total system memory (2048 x 2, dual-channel)</li> <li>3072-MB total system memory (2048 + 1024)</li> <li>2048-MB total system memory (1024 x 2, dual-channel)</li> <li>2048-MB total system memory (2048 x 1)</li> <li>1024-MB total system memory (1024 x 1)</li> </ul>				

Category	Description	Computer models equipped with M780G system board	Computer models equipped with GL40 system board	Computer models equipped with GM45 system board	Computer models equipped with PM45 system board
	Supports the following configurations only in Brazil: <ul style="list-style-type: none"> <li>3072-MB total system memory (2048 x 1024, dual-channel)</li> <li>2048-MB total system memory (2048 x 1)</li> <li>2048-MB total system memory (1024 x 2, dual-channel)</li> <li>1024-MB total system memory (1024 x 1)</li> </ul>	√	√	√	√
<b>Hard drives</b>	Supports 9.5-mm, 2.5-inch hard drives	√	√	√	√
	Customer-accessible	√	√	√	√
	Serial ATA	√	√	√	√
	Supports the following drives: <ul style="list-style-type: none"> <li>320-GB, 5400-rpm</li> <li>250-GB, 5400-rpm</li> <li>160-GB, 7200-rpm</li> <li>160-GB, 5400-rpm</li> <li>120-GB, 5400-rpm</li> </ul>	√	√	√	√
	<ul style="list-style-type: none"> <li>120-GB, 7200-rpm</li> </ul>				√
	HP 3D DriveGuard	√	√	√	√
<b>Optical drives</b>	Fixed (removal of 1 screw required)	√	√	√	√
	Customer-accessible	√	√	√	√
	Serial ATA	√	√	√	√
	12.7-mm tray load	√	√	√	√
	Supports the following drives: <ul style="list-style-type: none"> <li>DVD-ROM Drive</li> <li>DVD/CD-RW Combo Drive</li> <li>DVD±RW Double-Layer Drive with LightScribe</li> <li>DVD±RW SuperMulti Double-Layer Drive with LightScribe</li> </ul>	√	√	√	√
	<ul style="list-style-type: none"> <li>Blu-ray Disc ROM Drive with SuperMulti DVD±R/RW Double-Layer</li> </ul>				√

Category	Description	Computer models equipped with M780G system board	Computer models equipped with GL40 system board	Computer models equipped with GM45 system board	Computer models equipped with PM45 system board
<b>Diskette drive</b>	Supports external USB diskette drive only	√	√	√	√
	Supports boot from external USB diskette drive	√	√	√	√
	Supports 3-mode diskette drive	√	√	√	√
<b>Audio</b>	HD audio - ADI1984	√	√	√	√
<b>Modem</b>	56K V.92 3.8 cm (1.5-inch) data/fax modem with digital line guard	√	√	√	√
<b>Ethernet</b>	10/100 Ethernet network interface card (NIC)	√	√	√	
	10/100/1000 Ethernet network interface card (NIC)				√
	S3/S4/S5 wake on LAN: DC - no	√	√	√	√
	S3/S4/S5 wake on LAN: AC - yes	√	√	√	√
<b>Wireless</b>	<b>Integrated WLAN options by way of wireless module:</b>				
	2 WLAN antennae built into display assembly	√	√	√	√
	Support for no-WLAN option	√	√	√	√
	Support for the following WLAN formats:	√	√	√	√
	<ul style="list-style-type: none"> <li>• Broadcom 802.11a/b/g/n</li> <li>• Broadcom 802.11b/g</li> </ul>				
	<ul style="list-style-type: none"> <li>• Intel 802.11 a/b/g</li> <li>• Intel 802.11 a/b/g/n</li> </ul>		√	√	√
	<b>Integrated personal area network (PAN) options by way of Bluetooth® module:</b>				
	Support for no-WPAN option	√	√	√	√
	Broadcom Bluetooth 2.0+EDR	√	√	√	√
<b>External media cards</b>	One ExpressCard/54 slot	√	√	√	√
	Media Card Reader supporting Memory Stick (MS), Memory Stick Pro (MSP), Secure Digital (SD) Memory Card, Secure Digital High Capacity (SDHC) Memory Card, MultiMediaCard (MMC), and xD-Picture Card formats.	√	√	√	√
<b>Ports</b>	Audio-in (stereo microphone)	√	√	√	√
	Audio-out (stereo headphone)	√	√	√	√

Category	Description	Computer models equipped with M780G system board	Computer models equipped with GL40 system board	Computer models equipped with GM45 system board	Computer models equipped with PM45 system board
	RJ-11 (modem)	√	√	√	√
	RJ-45 (Ethernet, includes link and activity lights)	√	√	√	√
	USB (4)	√	√	√	√
	VGA (Dsub 15-pin) supporting 1600 × 1200 external resolution at 75-GHz (hot plug/unplug with auto-detect)	√	√	√	√
	3-pin AC power	√	√	√	√
<b>Keyboard/ pointing devices</b>	11.97-inch keyboard with embedded numeric keypad	√	√	√	√
	TouchPad only, with 2 TouchPad buttons and vertical scrolling (taps enabled as default)	√	√	√	√
<b>Power requirements</b>	90-W AC adapter with localized cable plug support (2-wire plug with ground pin, supports 2-pin DC connector)				√
	65-W AC adapter with localized cable plug support (2-wire plug with ground pin, supports 2-pin DC connector)	√	√	√	
	8-cell, 63-Wh Li-ion battery	√	√	√	√
	6-cell, 47-Wh Li-ion battery	√	√	√	√
<b>Security</b>	Supports Kensington security sock	√	√	√	√
<b>Operating system</b>	<b>Preinstalled:</b>				
	Windows Vista® Basic 32 with Office Ready	√	√	√	√
	Windows Vista Basic 32 (for Japan and the United Kingdom only)	√	√	√	√
	Windows Vista Basic 32 with Office Personal with PowerPoint (Japan only)	√	√	√	√
	Windows Vista Basic 32 Japan with Office Personal (Japan only)	√	√	√	√
	Windows Vista Basic 32 with Office Professional (Japan only)	√	√	√	√
	Windows Vista Business 32	√	√	√	√
	Windows Vista Business 32 with Office Ready	√	√	√	√
	Windows Vista Business 32 with Office Personal (Japan only)	√	√	√	√

Category	Description	Computer models equipped with M780G system board	Computer models equipped with GL40 system board	Computer models equipped with GM45 system board	Computer models equipped with PM45 system board
	Windows Vista Business 32 with Office Personal with PowerPoint (Japan only)	√	√	√	√
	Windows Vista Business 32 with Office Professional (Japan only)	√	√	√	√
	Windows Vista Home Premium with Office Ready	√	√	√	√
	Windows® XP Professional (Japan and the United Kingdom only)	√	√	√	√
	Windows XP Professional with Office Professional (Japan only)	√	√	√	√
	Windows XP Professional with Office Ready	√	√	√	√
	Windows XP Professional with Office Personal (Japan only)	√	√	√	√
	Windows XP Professional with Office Personal with PowerPoint (Japan only)	√	√	√	√
	FreeDOS	√	√	√	√
	Red Flag Linux (in the People's Republic of China only)	√	√	√	√
	<b>Restore media:</b>				
	Windows Vista Home Basic 32	√	√	√	√
	Windows Vista Home Premium	√	√	√	√
	Windows Vista Business 32	√	√	√	√
	Windows Vista Business 64	√	√	√	√
	Windows XP Professional	√	√	√	√
	Red Flag Linux (in the People's Republic of China only)	√	√	√	√
	DRDVD Windows Vista	√	√	√	√
	DRDVD Windows XP Pro	√	√	√	√
	Windows Vista Office Ready DVD	√	√	√	√
	<b>Certified:</b> Microsoft® WHQL	√	√	√	√
	<b>Web Support:</b> Windows XP Pro	√	√	√	√
<b>Serviceability</b>	<b>End-user replaceable parts:</b>				
	AC adapter	√	√	√	√
	Battery (system)	√	√	√	√

Category	Description	Computer models equipped with M780G system board	Computer models equipped with GL40 system board	Computer models equipped with GM45 system board	Computer models equipped with PM45 system board
	Hard drive	√	√	√	√
	Memory module	√	√	√	√
	Optical drive	√	√	√	√
	WLAN module	√	√	√	√



## 2 External component identification

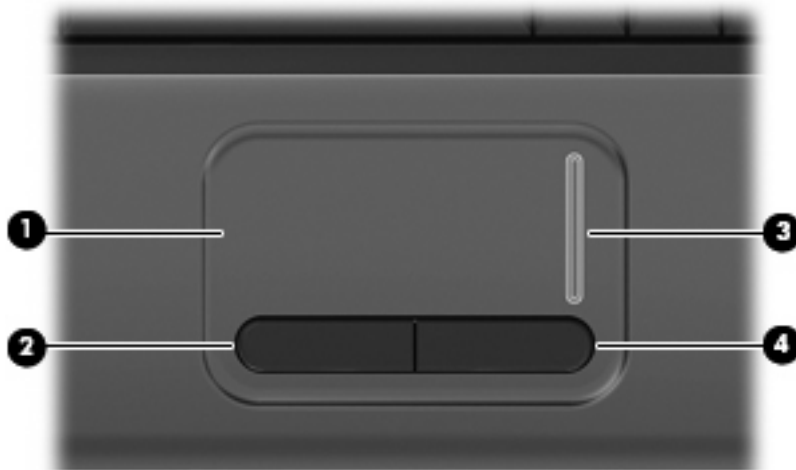
### Top components

#### Display components



Item	Component	Function
(1)	WLAN antenna locations	Send and receive signals from one or more WLAN devices. These antennae are not visible from the outside of the computer.
(2)	Webcam light (select models only)	On: The integrated camera is in use.
(3)	Webcam (select models only)	Records audio and video and captures still photographs.

## TouchPad

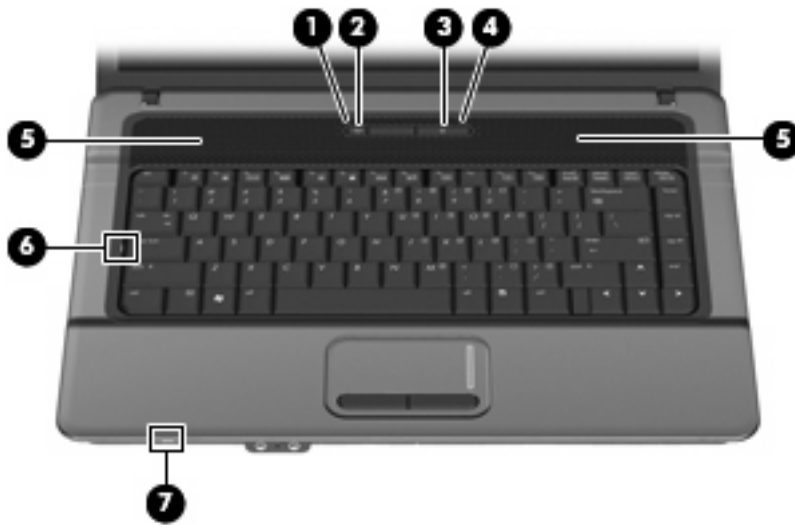


Item	Component	Function
(1)	TouchPad*	Moves the pointer and selects or activates items on the screen.
(2)	Left TouchPad button*	Functions like the left button on an external mouse.
(3)	TouchPad scroll zone	Scrolls up or down.
(4)	Right TouchPad button*	Functions like the right button on an external mouse.

\*This table describes factory settings. View or change pointing device preferences as follows:

- In Windows Vista, select **Start > Control Panel > Hardware and Sound > Mouse**.
- In Windows XP, select **Start > Control Panel > Printers and Other Hardware > Mouse**.

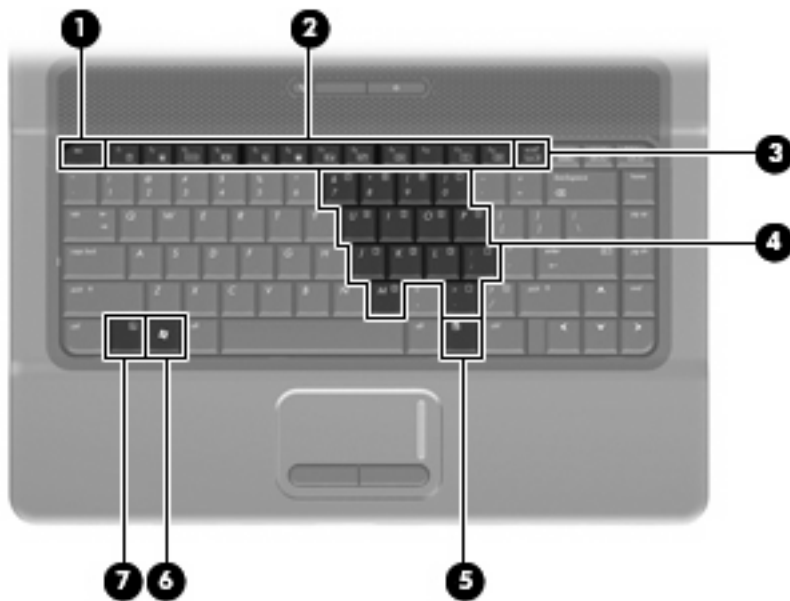
## Buttons, switch, lights, and speakers



Item	Component	Function
(1)	Wireless light	<ul style="list-style-type: none"> <li>On: An integrated wireless device, such as a wireless local area network (WLAN) device, the HP Broadband Wireless Module, and/or a Bluetooth device, is on.</li> <li>Off: All wireless devices are off.</li> </ul>
(2)	Wireless button	<p>Turns the wireless feature on or off, but does not establish a wireless connection.</p> <p><b>NOTE:</b> A wireless network must be set up in order to establish a wireless connection.</p>
(3)	Power light	<ul style="list-style-type: none"> <li>On: The computer is on.</li> <li>Blinking: The computer is in the Sleep state (Windows Vista) or Standby (Windows XP).</li> <li>Off: The computer is off or in Hibernation.</li> </ul>

Item	Component	Function
(4)	Power button	<ul style="list-style-type: none"> <li>When the computer is off, press the button to turn on the computer.</li> <li>When the computer is on, press the button to initiate Hibernation.</li> <li>When the computer is in the Sleep state (Windows Vista) or in Standby (Windows XP), press the button briefly to exit the Sleep state or Standby.</li> <li>When the computer is in Hibernation, press the button briefly to exit Hibernation.</li> </ul> <p>If the computer has stopped responding and Windows shutdown procedures are ineffective, press and hold the power button for at least 5 seconds to turn off the computer.</p> <p>To learn more about power settings, follow these steps:</p> <ul style="list-style-type: none"> <li>In Windows Vista, select <b>Start &gt; Control Panel &gt; System and Maintenance &gt; Power Options</b>.</li> <li>In Windows XP, select <b>Start &gt; Control Panel &gt; Performance and Maintenance &gt; Power Options</b>.</li> </ul>
(5)	Speakers (2)	Produce sound.
(6)	Caps lock light	On: Caps lock is on.
(7)	Internal display switch	Turns off the display if the display is closed while the power is on.

## Keys



Item	Component	Function
(1)	esc key	Displays system information when pressed in combination with the <b>fn</b> key.

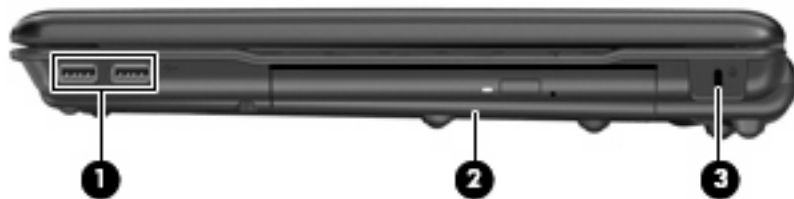
Item	Component	Function
(2)	Function keys	Execute frequently used system functions when pressed in combination with the <b>fn</b> key.
(3)	num lk key	When pressed in combination with the <b>fn</b> key, the num lk key enables and disables the embedded numeric keypad.
(4)	Embedded numeric keypad keys	Can be used like the keys on an external numeric keypad.
(5)	Windows applications key	Displays a shortcut menu for items beneath the pointer.
(6)	Windows logo key	Displays the Windows Start menu.
(7)	<b>fn</b> key	Executes frequently used system functions when pressed in combination with a function key or the <b>esc</b> key.

## Front components



Item	Component	Function
(1)	Media Card Reader	Supports the Memory Stick (MS), Memory Stick Pro (MSP), Secure Digital (SD) Memory Card, Secure Digital High Capacity (SDHC) Memory Card, MultiMediaCard (MMC), and xD-Picture Card formats.
(2)	Drive light	<ul style="list-style-type: none"><li>Blinking turquoise. The hard drive or optical drive is being accessed.</li><li>Amber: HP 3D DriveGuard has temporarily parked the hard drive.</li></ul>
(3)	Audio-out (headphone) jack	Connects optional powered stereo speakers, headphones, ear buds, a headset, or television audio.
(4)	Internal microphone	Records sound.
(5)	Audio-in (microphone) jack	Connects an optional computer headset microphone, stereo array microphone, or monaural microphone.

## Right-side components



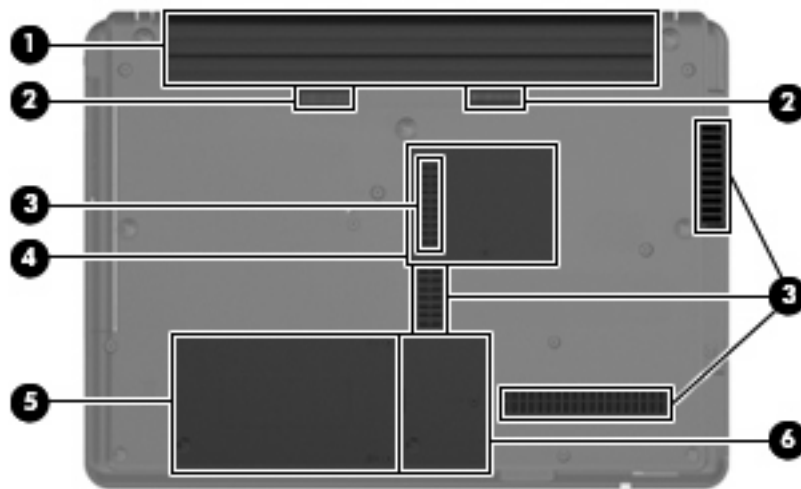
Item	Component	Function
(1)	USB ports (2)	Connect optional USB devices.
(2)	Optical drive	Reads optical discs and, on select models, also writes to optical discs.
(3)	Security cable slot	Attaches an optional security cable to the computer.  <b>NOTE:</b> The security cable is designed to act as a deterrent, but it may not prevent the computer from being mishandled or stolen.

## Left-side components



Item	Component	Function
(1)	RJ-11 (modem) jack	Connects a modem cable.
(2)	Vent	Enables airflow to cool internal components.  <b>NOTE:</b> The computer fan starts up automatically to cool internal components and prevent overheating. It is normal for the internal fan to cycle on and off during routine operation.
(3)	External monitor port	Connects an external VGA monitor or projector.
(4)	Battery light	<ul style="list-style-type: none"> <li>Amber: A battery is charging.</li> <li>Turquoise: A battery is close to full charge capacity.</li> <li>Blinking amber: A battery that is the only available power source has reached a low battery level. When the battery reaches a critical battery level, the battery light begins blinking rapidly.</li> <li>Off: If the computer is plugged into an external power source, the light turns off when all batteries in the computer are fully charged. If the computer is not plugged into an external power source, the light stays off until the battery reaches a low battery level.</li> </ul>
(5)	Power connector	Connects an AC adapter.
(6)	RJ-45 (network) jack	Connects a network cable.
(7)	USB ports (2)	Connect optional USB devices.
(8)	ExpressCard slot	Supports optional ExpressCards.

## Bottom components



Item	Component	Function
(1)	Battery bay	Holds the battery.
(2)	Battery release latches (2)	Release the battery from the battery bay.
(3)	Vents (4)	Enable airflow to cool internal components. <b>NOTE:</b> The computer fan starts up automatically to cool internal components and prevent overheating. It is normal for the internal fan to cycle on and off during routine operation.
(4)	Memory module compartment	Contains a memory module.
(5)	Hard drive bay	Holds the hard drive.
(6)	WLAN module compartment (select models only)	Contains a WLAN module slot. <b>CAUTION:</b> To prevent an unresponsive system, use only a wireless module authorized for use in the computer by the governmental agency that regulates wireless devices in your country or region. If you install the module and then receive a warning message, remove the module to restore computer functionality, and then contact technical support through Help and Support.



# 3 Illustrated parts catalog

## Service tag

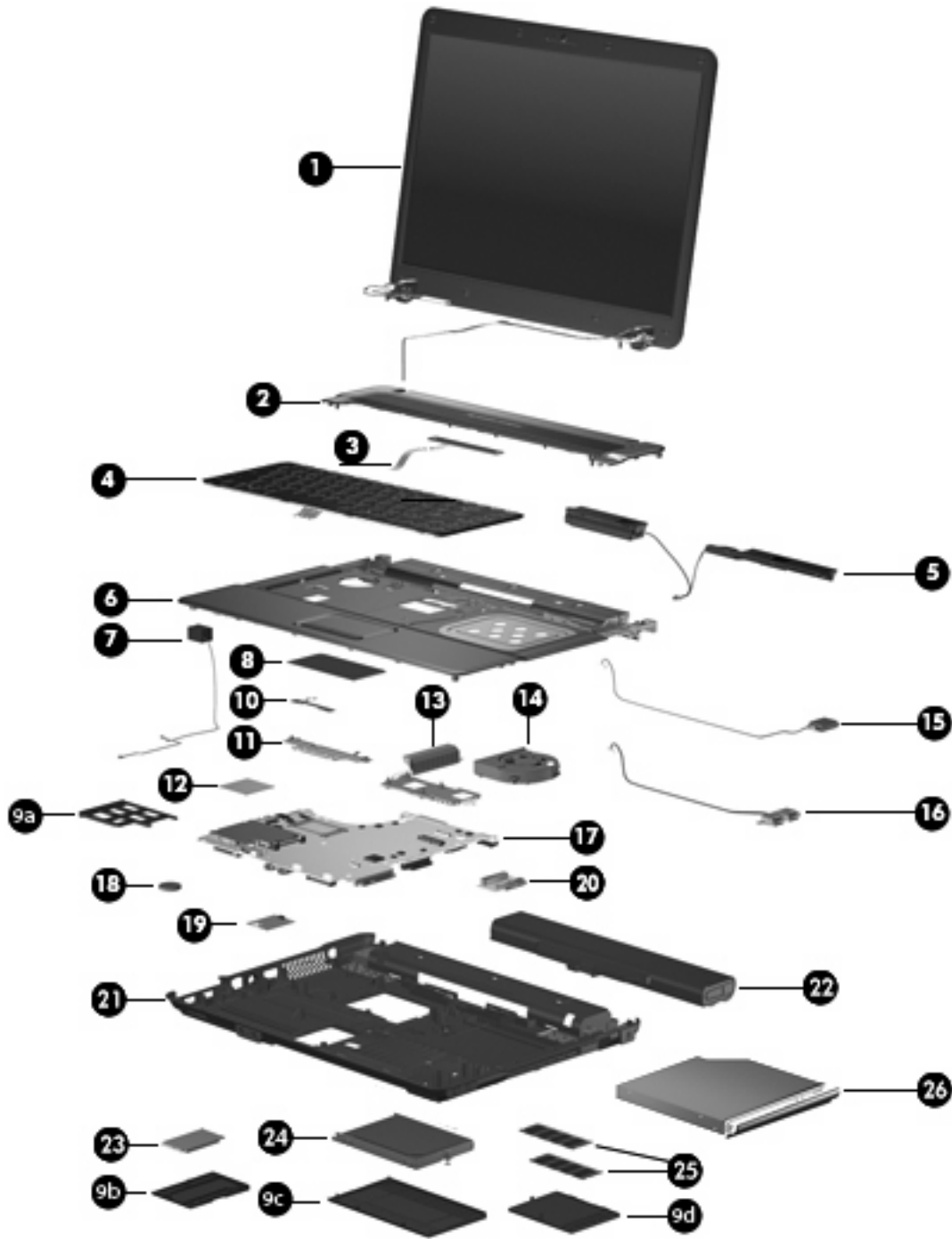
The service tag, affixed to the bottom of the computer, provides information that may be needed when troubleshooting system problems. The service tag provides the following information:

- (1) Product name: This is the product name affixed to the front of the computer.
- (2) Serial number (s/n): This is an alphanumeric identifier that is unique to each product.
- (3) Part number/Product number (p/n): This number provides specific information about the product's hardware components. The part number helps a service technician to determine what components and parts are needed.
- (4) Model description: This is the number used to locate documents, drivers, and support for your computer.
- (5) Warranty period: This number describes the duration of the warranty period for this computer.

When ordering parts or requesting information, provide the computer serial number and model description provided on the service tag.



# Computer major components



Item	Description	Spare part number
(1)	<b>Display assembly</b> (includes 2 WLAN antenna transceivers and cables)  For use only with HP Compaq 6735s Notebook PC models	
	15.4-inch WXGA BrightView display assembly (for use in all countries and regions except Brazil)	491587-001

Item	Description	Spare part number
	15.4-inch WXGA display assembly (for use only in all countries and regions except Brazil)	491584-001
	15.4-inch WXGA display assembly (for use only in Brazil)	491585-001
	15.4-inch WXGA display assembly with webcam (for use only in Brazil)	491586-001
	15.4-inch WXGA BrightView display assembly (for use only in Brazil)	491588-001
	15.4-inch WXGA BrightView display assembly with webcam (for use only in Brazil)	491589-001
	<b>For use only with HP Compaq 6730s Notebook PC models</b>	
	15.4-inch WXGA display assembly (for use in all countries and regions except Brazil)	491261-001
	15.4-inch WXGA BrightView display assembly (for use in all countries and regions except Brazil)	491262-001
	15.4-inch WXGA display assembly with webcam (for use in all countries and regions except Brazil)	491263-001
	15.4-inch WXGA BrightView display assembly with webcam (for use in all countries and regions except Brazil)	491264-001
	<b>Display assembly internal components (not illustrated):</b>	
	<b>For use only with HP Compaq 6735s Notebook PC models</b>	
	Display bezel and cover for use only with computers not equipped with a webcam	494108-001
	Display bezel and cover for use only with computers equipped with a webcam	494109-001
	Webcam with module board	494110-001
	<b>For use only with HP Compaq 6730s Notebook PC models</b>	
	Display bezel and cover for use only with computer models not equipped with a webcam	491257-001
	Display bezel and cover for use only with computer models equipped with a webcam	491258-001
	Webcam with module board	491251-001
	<b>Display Cable Kit (not illustrated)</b>	
	For use with HP Compaq 6730s Notebook PC models (includes wireless antenna and webcam cables)	491259-001
	For use with HP Compaq 6735s Notebook PC models (includes wireless antenna and webcam cables)	494114-001
	<b>Display hinges</b>	
	For use with HP Compaq 6735s Notebook PC models (includes left and right hinges)	491610-001
	For use with HP Compaq 6730s Notebook PC models (includes left and right hinges)	496680-001
	<b>Display inverter</b>	
	For use only with HP Compaq 6730s Notebook PC models	491256-001
	For use only with HP Compaq 6735s Notebook PC models	494116-001
<b>(2)</b>	<b>Switch cover (includes LED power board and cable)</b>	
	For use only with HP Compaq 6730s Notebook PC models	491288-001
	For use only with HP Compaq 6735s Notebook PC models	494115-001

Item	Description	Spare part number
(3)	<b>LED power button board</b> (included in the switch cover)	
(4)	<b>Keyboard</b>	
	<b>For use only with HP Compaq 6730s Notebook PC models</b>	
	For use in Brazil	491274-201
	For International use	491274-B31
	For use in the Czech Republic	491274-221
	For use in Denmark	491274-081
	For use in France	491274-051
	For use in French Canada	491274-121
	For use in Finland	491274-B71
	For use in Germany	491274-041
	For use in Greece	491274-DJ1
	For use in Hungary	491274-211
	For use in Iceland	491274-DD1
	For use in Israel	491274-BB1
	For use in Italy	491274-061
	For use in Japan	491274-291
	For use in Latin America	491274-161
	For use in Norway	491274-091
	For use in Portugal	491274-131
	For use in Russia	491274-251
	For use in Saudi Arabia	491274-171
	For use in Slovakia	491274-231
	For use in Slovenia	491274-BA1
	For use in South Korea	491274-AD1
	For use in Spain	491274-071
	For use in Switzerland	491274-BG1
	For use in Thailand	491274-281
	For use in Turkey	491274-141
	For use in Taiwan	491274-AB1
	For use in the United Kingdom	491274-031
	For use in the United States	491274-001
	<b>For use only with HP Compaq 6735s Notebook PC models</b>	
	For use in Belgium	491603-A41

<b>Item</b>	<b>Description</b>	<b>Spare part number</b>
	For use in Brazil	491603-201
	For use in the Czech Republic	491603-221
	For use in Denmark	491603-081
	For use in Finland	491603-B71
	For use in France	491603-051
	For use in French Canada	491603-121
	For use in Germany	491603-041
	For use in Greece	491603-151
	For use in Hungary	491603-211
	For use in Iceland	491603-DD1
	For use in Israel	491603-BB1
	For use in Italy	491603-061
	For International use	491603-B31
	For use in Japan	491603-291
	For use in Latin America	491603-161
	For use in Norway	491274-091
	For use in Portugal	491603-131
	For use in Russia	491603-251
	For use in Saudi Arabia	491603-171
	For use in Slovakia	491603-231
	For use in Slovenia	491603-BA1
	For use in South Korea	491603-AD1
	For use in Spain	491603-071
	For use in Switzerland	491603-BG1
	For use in Thailand	491603-281
	For use in Taiwan	491603-AB1
	For use in Turkey	491603-141
	For use in the United Kingdom	491603-031
	For use in the United States	491603-001
<b>(5)</b>	<b>Speakers</b>	
	For use only with HP Compaq 6730s Notebook PC models	491277-001
	For use only with HP Compaq 6735s Notebook PC models	491612-001
<b>(6)</b>	<b>Top cover</b> (includes TouchPad board and cable, and TouchPad button board and cable)	491254-001

Item	Description	Spare part number
(7)	<b>RJ-11 connector</b> (included in cable kit. For HP Compaq 6730s Notebook PC models, see cable kit spare part number 491287-001. For HP Compaq 6735s Notebook PC models, see cable kit spare part number 491608-001.) See <a href="#">Cable Kit on page 29</a> for more Cable Kit spare part number information.	
(8)	<b>TouchPad</b> (included with top cover, spare part number 491254-001)	
	<b>Plastics Kit</b> (see <a href="#">Plastics Kit on page 28</a> for more Plastics Kit spare part information):	
	For use only with HP Compaq 6730s Notebook PC models	491253-001
	For use only with HP Compaq 6735s Notebook PC models	491616-001
(9a)	ExpressCard slot bezel	
(9b)	WLAN module compartment cover	
(9c)	Hard drive bay cover	
(9d)	Memory module compartment cover	
	<b>TouchPad components</b>	
(10)	<b>TouchPad cable</b> (included with top cover, spare part number 491254-001)	
(11)	<b>TouchPad bracket</b> (included with top cover, spare part number 491254-001, which also includes the TouchPad button board actuators, which are not illustrated)	
(12)	<b>TouchPad board and cable</b> (included with top cover, spare part number 491254-001)	
(13)	<b>Heat sink</b> for use only with HP Compaq 6730s Notebook PC models with discrete graphics subsystem memory	491255-001
	<b>Thermal modules</b>	
	For use only with HP Compaq 6730s Notebook PC models	491979-001
	For use only with HP Compaq 6730s Notebook PC models equipped with Intel processors with UMA graphics subsystem memory	496679-001
	For use only with HP Compaq 6735s Notebook PC models	491613-001
(14)	<b>Fan</b>	
	For use only with HP Compaq 6730s Notebook PC models	490324-001
	For use only with HP Compaq 6735s Notebook PC models	491621-001
(15)	<b>Broadcom Bluetooth modules</b>	
	<b>NOTE:</b> The Bluetooth module spare part kit does not include a Bluetooth module cable. Bluetooth module cables are included in the Cable Kit. For HP Compaq 6730s Notebook PC models, see cable kit spare part number 491287-001. For HP Compaq 6735s Notebook PC models, see cable kit spare part number 491608-001. See <a href="#">Cable Kit on page 29</a> for more Cable Kit spare part number information.	
	For use in all countries and regions except Japan and Asia Pacific countries and regions	398393-002
	For use in Japan and Asia Pacific countries and regions	450066-001
(16)	<b>USB connector</b>	
	<b>NOTE:</b> The USB connector does not include a USB cable. The USB cables are included in the Cable Kits. For HP Compaq 6730s Notebook PC models, see cable kit spare part number 491287-001. For HP Compaq 6735s Notebook PC models, see cable kit spare part number 491608-001. See <a href="#">Cable Kit on page 29</a> for more Cable Kit spare part number information.	

Item	Description	Spare part number
(17)	<b>System board</b> (includes replacement thermal material and the ExpressCard assembly)	
	<b>For use only with HP Compaq 6730s Notebook PC models</b>	
	For use only with computer models equipped with Intel processors with discrete graphics subsystem memory (includes 256-MB of graphics subsystem memory)	491976-001
	For use only with computer models equipped with GL40 system boards with Intel processors with UMA graphics subsystem memory	491250-001
	For use only with computer models equipped with GL45 system boards with Intel processors with UMA graphics subsystem memory	501354-001
	<b>For use only with HP Compaq 6735s Notebook PC models</b>	
	For use only with computer models equipped with UMA graphics subsystem memory	494106-001
	<b>Processor</b> (includes replacement thermal material) (not illustrated)	
	<b>Intel Core2 Duo processors (for use only with HP Compaq 6730s Notebook PC models)</b>	
	• P8600 2.40-GHz (3-MB L2 cache, 1066-MHz FSB)	491285-001
	• P8400 2.26-GHz (3-MB L2 cache, 1066-MHz FSB)	491284-001
	• T9400 2.53-GHz (6-MB L2 cache, 1066-MHz FSB)	491286-001
	• T5670 1.80-GHz (2-MB L2 cache, 800-MHz FSB) (socketed) (not available for Japan)	496677-001
	• T5870 2.0-GHz (2-MB L2 cache, 800-MHz FSB) (socketed) (not available for Japan)	496678-001
	• P7370 2.0-GHz (3-MB L2 cache, 1066-MHz FSB) (Only available with Intel WLAN)	506451-001
	<b>Intel Celeron M processors (for use only with HP Compaq 6730s Notebook PC models)</b>	
	• 575 2.0-GHz (1-MB L2 cache, 667-MHz FSB)	491282-001
	• 585 2.16-GHz (1-MB L2 cache, 667-MHz FSB)	491283-001
	<b>Intel Celeron Dual-Core processors (for use only with HP Compaq 6730s Notebook PC models)</b>	
	• T1600 1.66-GHz (1-MB L2 cache, 667-MHz FSB)	506449-001
	• T1700 1.83-GHz (1-MB L2 cache, 667-MHz FSB)	506450-001
	<b>AMD Turion Ultra Dual-Core processors (for use only with HP Compaq 6735s Notebook PC models)</b>	
	• ZM-80 2.1-GHz (2-MB L2 cache, 35W)	491581-001
	• ZM-82 2.2-GHz (2-MB L2 cache, 35W)	491582-001
	• ZM-84 2.3-GHz (2-MB L2 cache, 35W)	506280-001
	• ZM-86 2.4-GHz (2-MB L2 cache, 35W)	491583-001
	<b>AMD Turion Dual-Core processors (for use only with HP Compaq 6735s Notebook PC models)</b>	
	• RM-70 2.0-GHz (1-MB, L2 cache, 35W)	491580-001
	• RM-72 2.1-GHz (1-MB, L2 cache, 35W)	506279-001
	<b>AMD Athlon Dual-Core processors (for use only with HP Compaq 6735s Notebook PC models)</b>	
	• QL-60 1.9-GHz (1-MB, L2 cache, 35W)	491579-001
	• QL-62 2.0-GHz (1-MB, L2 cache, 35W)	506278-001

Item	Description	Spare part number
	<b>AMD Sempron processor (for use only with HP Compaq 6735s Notebook PC models)</b>	
	<ul style="list-style-type: none"> <li>SI-40 2.0-GHz (512-KB, L2 cache, 25W)</li> </ul>	491578-001
(18)	<b>RTC battery</b>	449137-001
(19)	<b>Modem module</b>	
	<p><b>NOTE:</b> The modem module spare part kit does not include a modem module cable. The modem module cable is included in the Cable Kit, spare part numbers 491287-001 (for HP Compaq 6730s Notebook PC models) and 491608-001 (for HP Compaq 6735s Notebook PC models). See <a href="#">Cable Kit on page 29</a> for more Cable Kit spare part information.</p>	
	For use in all countries and regions except Australia and New Zealand	461749-001
	For use only in Australia and New Zealand	461749-011
	<b>Thermal Material Kits (not illustrated)</b>	
	For use in all countries and regions except Japan and Asia Pacific countries and regions	413706-001
	For use only in Japan and Asia Pacific countries and regions	445853-001
(20)	<b>Optical drive connector</b>	491269-001
(21)	<b>Base enclosure (includes rubber feet)</b>	
	For use only with HP Compaq 6730s Notebook PC models	491252-001
	For use only with HP Compaq 6735s Notebook PC models	491604-001
(22)	<b>Battery</b>	
	<b>8-cell, 63-Wh Li-ion battery</b>	
	For use only with HP Compaq 6730s Notebook PC models	491279-001
	For use only with HP Compaq 6735s Notebook PC models	496897-001
	<b>6-cell, 47-Wh Li-on battery</b>	
	For use only with HP Compaq 6730s Notebook PC models	491278-001
	For use only with HP Compaq 6735s Notebook PC models	501870-001
(23)	<b>WLAN module</b>	
	<b>Intel Wi-Fi Link 5100 802.11a/b/g/n WLAN module</b> (for use in all countries and regions except Pakistan, Russia, and the Ukraine)	480985-001
	<b>Broadcom 4312 802.11b/g WLAN modules</b>	
	<ul style="list-style-type: none"> <li>For use in Antigua and Barbuda, Barbados, Belize, Canada, the Cayman Islands, Guam, Puerto Rico, Trinidad and Tobago, the U.S. Virgin Islands, and the United States</li> </ul>	459263-001

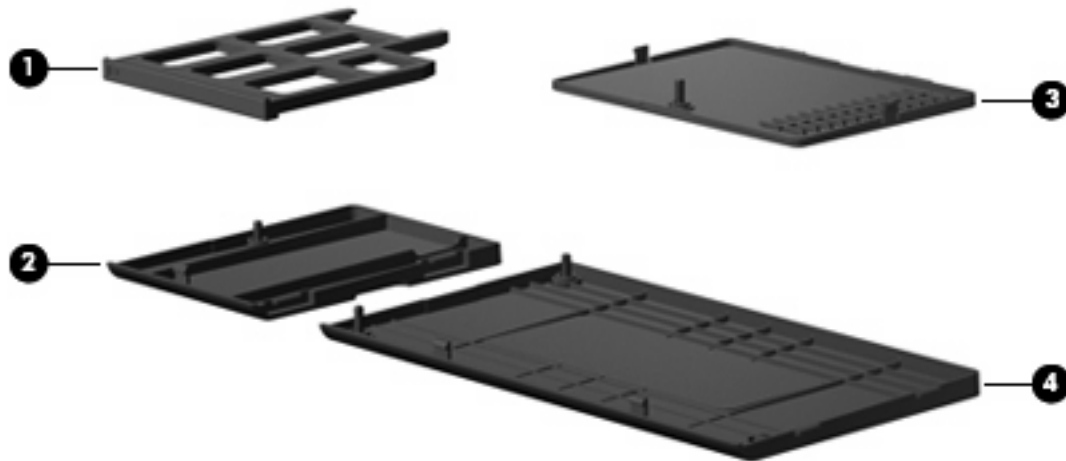


Item	Description	Spare part number
•	For use in Afghanistan, Albania, Algeria, Andorra, Angola, Antigua and Barbuda, Argentina, Armenia, Aruba, Australia, Austria, Azerbaijan, the Bahamas, Bahrain, Bangladesh, Barbados, Belarus, Belgium, Belize, Benin, Bermuda, Bhutan, Bolivia, Bosnia and Herzegovina, Botswana, Brazil, the British Virgin Islands, Brunei, Bulgaria, Burkina Faso, Burundi, Cameroon, Cape Verde, the Central African Republic, Chad, Chile, the People's Republic of China, Colombia, Comoros, the Congo, Costa Rica, Croatia, Cyprus, the Czech Republic, Denmark, Djibouti, Dominica, the Dominican Republic, East Timor, Ecuador, Egypt, El Salvador, Equatorial Guinea, Eritrea, Estonia, Ethiopia, Fiji, Finland, France, French Guiana, Gabon, Gambia, Georgia, Germany, Ghana, Gibraltar, Greece, Grenada, Guadeloupe, Guatemala, Guinea, Guinea-Bissau, Guyana, Haiti, Honduras, Hong Kong, Hungary, Iceland, India, Ireland, Israel, Italy, the Ivory Coast, Jamaica, Jordan, Kazakhstan, Kenya, Kiribati, Kyrgyzstan, Laos, Latvia, Lebanon, Lesotho, Liberia, Liechtenstein, Lithuania, Luxembourg, Macedonia, Madagascar, Malawi, Malaysia, the Maldives, Mali, Malta, the Marshall Islands, Martinique, Mauritania, Mauritius, Mexico, Micronesia, Monaco, Mongolia, Montenegro, Morocco, Mozambique, Namibia, Nauru, Nepal, the Nether Antilles, the Netherlands, New Zealand, Nicaragua, Niger, Nigeria, Norway, Oman, Pakistan, Palau, Panama, Papua New Guinea, Paraguay, Peru, the Philippines, Poland, Portugal, the Republic of Moldova, Romania, Russia, Rwanda, Samoa, San Marino, Sao Tome and Principe, Saudi Arabia, Senegal, Serbia, the Seychelles, Sierra Leone, Singapore, Slovakia, Slovenia, the Solomon Islands, Somalia, South Africa, South Korea, Spain, Sri Lanka, St. Kitts and Nevis, St. Lucia, St. Vincent and the Grenadines, Suriname, Swaziland, Sweden, Switzerland, Taiwan, Tajikistan, Tanzania, Togo, Tonga, Trinidad and Tobago, Tunisia, Turkey, Turkmenistan, Tuvalu, Uganda, Ukraine, the United Arab Emirates, the United Kingdom, Uruguay, Uzbekistan, Vanuatu, Venezuela, Vietnam, Yemen, Zaire, Zambia, and Zimbabwe	459263-002
<b>Broadcom 4322 802.11a/b/g/n WLAN modules:</b>		
•	For use in Antigua and Barbuda, Barbados, Belize, Canada, the Cayman Islands, Guam, Puerto Rico, Trinidad and Tobago, the U.S. Virgin Islands, and the United States	487330-001
•	For use in Afghanistan, Albania, Algeria, Andorra, Angola, Antigua and Barbuda, Argentina, Armenia, Aruba, Australia, Austria, Azerbaijan, the Bahamas, Bahrain, Bangladesh, Barbados, Belarus, Belgium, Belize, Benin, Bermuda, Bhutan, Bolivia, Bosnia and Herzegovina, Botswana, Brazil, the British Virgin Islands, Brunei, Bulgaria, Burkina Faso, Burundi, Cameroon, Cape Verde, the Central African Republic, Chad, Chile, the People's Republic of China, Colombia, Comoros, the Congo, Costa Rica, Croatia, Cyprus, the Czech Republic, Denmark, Djibouti, Dominica, the Dominican Republic, East Timor, Ecuador, Egypt, El Salvador, Equatorial Guinea, Eritrea, Estonia, Ethiopia, Fiji, Finland, France, French Guiana, Gabon, Gambia, Georgia, Germany, Ghana, Gibraltar, Greece, Grenada, Guadeloupe, Guatemala, Guinea, Guinea-Bissau, Guyana, Haiti, Honduras, Hong Kong, Hungary, Iceland, India, Ireland, Israel, Italy, the Ivory Coast, Jamaica, Jordan, Kazakhstan, Kenya, Kiribati, Kyrgyzstan, Laos, Latvia, Lebanon, Lesotho, Liberia, Liechtenstein, Lithuania, Luxembourg, Macedonia, Madagascar, Malawi, Malaysia, the Maldives, Mali, Malta, the Marshall Islands, Martinique, Mauritania, Mauritius, Mexico, Micronesia, Monaco, Mongolia, Montenegro, Morocco, Mozambique, Namibia, Nauru, Nepal, the Nether Antilles, the Netherlands, New Zealand, Nicaragua, Niger, Nigeria, Norway, Oman, Pakistan, Palau, Panama, Papua New Guinea, Paraguay, Peru, the Philippines, Poland, Portugal, the Republic of Moldova, Romania, Russia, Rwanda, Samoa, San Marino, Sao Tome and Principe, Saudi Arabia, Senegal, Serbia, the Seychelles, Sierra Leone, Singapore, Slovakia, Slovenia, the Solomon Islands, Somalia, South Africa, South Korea, Spain, Sri Lanka, St. Kitts and Nevis, St. Lucia, St. Vincent and the Grenadines, Suriname, Swaziland, Sweden, Switzerland, Taiwan, Tajikistan, Tanzania, Togo, Tonga, Trinidad and Tobago, Tunisia, Turkey, Turkmenistan, Tuvalu, Uganda, Ukraine, the United Arab Emirates, the United Kingdom, Uruguay, Uzbekistan, Vanuatu, Venezuela, Vietnam, Yemen, Zaire, Zambia, and Zimbabwe	487330-002
<b>Broadcom 802.11a/b/g WLAN modules:</b>		
For use only on HP Compaq 6735s Notebook PC models:		

Item	Description	Spare part number
	<ul style="list-style-type: none"> <li>For use in Canada, the Cayman Islands, Guam, Puerto Rico, the U.S. Virgin Islands, and the United States</li> </ul>	441075-001
	<ul style="list-style-type: none"> <li>For use in Afghanistan, Albania, Algeria, Andorra, Angola, Antigua and Barbuda, Argentina, Armenia, Aruba, Australia, Austria, Azerbaijan, the Bahamas, Bahrain, Bangladesh, Barbados, Belgium, Belize, Benin, Bermuda, Bolivia, Bosnia and Herzegovina, Botswana, Brazil, the British Virgin Islands, Brunei, Bulgaria, Burkina Faso, Burundi, Cameroon, Cape Verde, the Cayman Islands, the Central African Republic, Chad, Chile, the People's Republic of China, Columbia, Comoros, the Congo, Costa Rica, Croatia, Cyprus, the Czech Republic, Denmark, Djibouti, Dominica, the Dominican Republic, East Timor, Ecuador, Egypt, El Salvador, Equatorial Guinea, Eritrea, Estonia, Ethiopia, Fiji, Finland, France, French Guiana, Gabon, Gambia, Georgia, Germany, Ghana, Gibraltar, Greece, Grenada, Guadeloupe, Guam, Guatemala, Guinea, Guinea-Bissau, Guyana, Haiti, Honduras, Hong Kong, Hungary, Iceland, India, Ireland, Israel, Italy, the Ivory Coast, Jamaica, Jordan, Kenya, Kiribati, Kyrgyzstan, Laos, Latvia, Lesotho, Liberia, Liechtenstein, Lithuania, Luxembourg, Macedonia, Madagascar, Malawi, Malaysia, the Maldives, Mali, Malta, the Marshall Islands, Martinique, Mauritania, Mauritius, Mexico, Micronesia, Monaco, Mongolia, Montenegro, Morocco, Mozambique, Namibia, Nauru, Nepal, the Nether Antilles, the Netherlands, New Zealand, Nicaragua, Niger, Nigeria, Norway, Oman, Pakistan, Palau, Panama, Papua New Guinea, Paraguay, Peru, the Philippines, Poland, Portugal, Puerto Rico, the Republic of Moldova, Romania, Russia, Rwanda, Samoa, San Marino, Sao Tome and Principe, Saudi Arabia, Senegal, Serbia, the Seychelles, Sierra Leone, Singapore, Slovakia, Slovenia, the Solomon Islands, Somalia, South Africa, South Korea, Spain, Sri Lanka, St. Kitts and Nevis, St. Lucia, St. Vincent and the Grenadines, Suriname, Swaziland, Sweden, Switzerland, Taiwan, Tajikistan, Tanzania, Togo, Tonga, Trinidad and Tobago, Tunisia, Turkey, Turkmenistan, Tuvalu, Uganda, Ukraine, the United Arab Emirates, the United Kingdom, Uruguay, Uzbekistan, Vanuatu, Venezuela, Vietnam, Yemen, Zaire, Zambia, and Zimbabwe</li> </ul>	441075-002
	<ul style="list-style-type: none"> <li>For use in Japan</li> </ul>	441075-291
<b>(24)</b>	<b>Hard drive</b> (includes hard drive bracket)	
	<b>For use only with HP Compaq 6730s Notebook PC models</b>	
	320-GB, 5400-rpm	510176-001
	250-GB, 5400-rpm	491268-001
	160-GB, 7200-rpm	506452-001
	160-GB, 5400-rpm	491267-001
	120-GB, 7200-rpm	491266-001
	120-GB, 5400-rpm	491265-001
	<b>For use only with HP Compaq 6735s Notebook PC models</b>	
	250-GB, 5400-rpm	491598-001
	160-GB, 5400-rpm	491597-001
	120-GB, 5400-rpm	491596-001
<b>(25)</b>	<b>Memory module</b>	
	<b>PC2-5300, 667-MHz, DDR2</b> (for use only with HP Compaq 6730s Notebook PC models)	
	1-GB	491476-001
	2-GB	491478-001
	<b>PC2-6400, 800-MHz, DDR2</b> (for use only with HP Compaq 6730s Notebook PC models)	

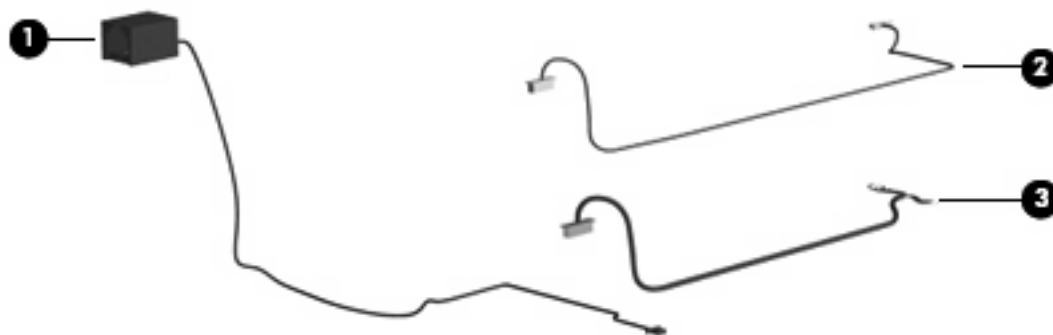
Item	Description	Spare part number
	1-GB	491477-001
	2-GB	491479-001
	<b>PC2-5300, 667-MHz, DDR2</b> (for use only with HP Compaq 6735s Notebook PC models)	
	1024-MB	491591-001
	2048-MB	491592-001
	<b>PC2-6400, 800-MHz, DDR2</b> (for use only with HP Compaq 6735s Notebook PC models)	
	1024-MB	491594-001
	2048-MB	491595-001
<b>(26)</b>	<b>Optical drive</b> (includes bezel and bracket)	
	<b>For use only with HP Compaq 6730s Notebook PC models</b>	
	DVD-ROM Drive	491270-001
	DVD/CD-RW Combo Drive	491271-001
	DVD±RW Double-Layer Drive with LightScribe	491272-001
	Blu-ray Disc ROM Drive with SuperMulti DVD±R/RW Double-Layer	491273-001
	<b>For use only with HP Compaq 6735s Notebook PC models</b>	
	DVD-ROM Drive	491599-001
	DVD/CD-RW Combo Drive	491600-001
	DVD±RW SuperMulti Double-Layer Drive with LightScribe	491601-001
	<b>Rubber Kit</b> (not illustrated, contains 7 computer feet and 8 display bezel screw covers)	
	For use only with HP Compaq 6730s Notebook PC models	491275-001
	For use only with HP Compaq 6735s Notebook PC models	491620-001

## Plastics Kit



Item	Description	Spare part number
<b>Plastics Kit:</b>		
	For use only with HP Compaq 6730s Notebook PC models	491253-001
	For use only with HP Compaq 6735s Notebook PC models	491616-001
(1)	ExpressCard slot bezel	
(2)	WLAN module compartment cover (includes one captive screw, secured by a C-clip)	
(3)	Memory module compartment cover (includes one captive screw, secured by a C-clip)	
(4)	Hard drive bay cover (includes 2 captive screws, secured by C-clips)	

## Cable Kit



Item	Description	Spare part number
<b>Cable Kit:</b>		
	For use only with HP Compaq 6730s Notebook PC models	491287-001
	For use only with HP Compaq 6735s Notebook PC models	491608-001
(1)	RJ-11 jack cable	
(2)	USB cable	
(3)	Bluetooth module cable	

## Mass storage devices



Item	Description	Spare part number
<b>(1)</b>	<b>Optical drive</b> (includes bezel and bracket)	
	<b>For use only with HP Compaq 6730s Notebook PC models</b>	
	DVD±RW Double-Layer Drive with LightScribe	491272-001
	DVD-ROM Drive	491270-001
	DVD/CD-RW Combo Drive	491271-001
	Blu-ray Disc ROM Drive with SuperMulti DVD±R/RW Double-Layer	491273-001
	<b>For use only with HP Compaq 6735s Notebook PC models</b>	
	DVD-ROM Drive	491599-001
	DVD/CD-RW Combo Drive	491600-001
	DVD±RW SuperMulti Double-Layer Drive with LightScribe	491601-001
<b>(2)</b>	<b>Hard drive</b> (includes bracket)	
	<b>For use only with HP Compaq 6730s Notebook PC models</b>	
	320-GB, 5400-rpm	510176-001
	250-GB, 5400-rpm	491268-001
	160-GB, 7200-rpm	506452-001
	160-GB, 5400-rpm	491267-001
	120-GB, 7200-rpm	491266-001
	120-GB, 5400-rpm	491265-001
	<b>For use only with HP Compaq 6735s Notebook PC models</b>	
	250-GB, 5400-rpm	491598-001

<b>Item</b>	<b>Description</b>	<b>Spare part number</b>
	160-GB, 5400-rpm	491597-001
	120-GB, 5400-rpm	491596-001

## Miscellaneous parts

Description	Spare part number
<b>AC adapters</b>	
65-W AC adapter	463958-001
90-W Slimline AC adapter (for use only with HP Compaq 6730s Notebook PC models in all countries and regions except India)	463955-001
90-W Slimline AC adapter (for use only with HP Compaq 6730s Notebook PC models in India)	463956-001
<b>Logo Kit</b>	
For use only with HP Compaq 6730s Notebook PC models	491281-001
For use only with HP Compaq 6735s Notebook PC models	491622-001
<b>Display Cable Kit</b> (For use only with HP Compaq 6735s Notebook PC models)	494114-001
<b>Display miscellaneous</b> (includes a 15-inch display miscellaneous assembly, aluminum foil shield, and tape) for use only with HP Compaq 6735s Notebook PC models	500328-001
<b>Power cord:</b>	
For use in the United States	490371-001
For use in Australia and New Zealand	490371-011
For use in Europe, the Middle East, and Africa	490371-021
For use in the United Kingdom and Singapore	490371-031
For use in Italy	490371-061
For use in Denmark	490371-081
For use in Switzerland	490371-111
For use in Brazil	490371-201
For use in Japan	490371-291
For use in the People's Republic of China	490371-AA1
For use in Taiwan	490371-AB1
For use in South Korea	490371-AD1
For use in South Africa	490371-AR1
For use in Israel	490371-BB1
For use in Argentina	490371-D01
For use in India	490371-D61
<b>Screw Kit</b>	
For use only with HP Compaq 6730s Notebook PC models	491276-001



Description	Spare part number
For use only with HP Compaq 6735s Notebook PC models	491617-001
Screw Kit contents:	
<ul style="list-style-type: none"><li>• Phillips PM3.0×4.0 screw</li><li>• Phillips PM2.0×3.0 screw</li><li>• Phillips PM2.5×6.0 captive screw</li><li>• Phillips PM2.5×10.0 captive screw</li><li>• Phillips PM2.5×9.0</li><li>• Phillips PM2.5×4.0 screw</li><li>• Phillips PM2.0×4.0 screw</li><li>• Phillips PM2.0×2.0 broadhead screw</li><li>• Torx T8M2.5×7.0 screw (slotted)</li><li>• Torx T8M2.5×6.0 screw</li><li>• Torx T8M2.5×4.0 screw</li><li>• Torx T8M2.0×2.0 broadhead screw</li></ul>	

## Sequential part number listing

Spare part number	Description
246959-001	Power cord for use in the United States
398393-002	Broadcom Bluetooth module for use in all countries and regions except Japan and Asia Pacific (does not include the Bluetooth module cable)
441075-001	Broadcom 802.11a/b/g WLAN module for use in Canada, the Cayman Islands, Guam, Puerto Rico, the U.S. Virgin Islands, and the United States
441075-002	Broadcom 802.11a/b/g WLAN module for use in Afghanistan, Albania, Algeria, Andorra, Angola, Antigua and Barbuda, Argentina, Armenia, Aruba, Australia, Austria, Azerbaijan, the Bahamas, Bahrain, Bangladesh, Barbados, Belgium, Belize, Benin, Bermuda, Bolivia, Bosnia and Herzegovina, Botswana, Brazil, the British Virgin Islands, Brunei, Bulgaria, Burkina Faso, Burundi, Cameroon, Cape Verde, the Cayman Islands, the Central African Republic, Chad, Chile, the People's Republic of China, Columbia, Comoros, the Congo, Costa Rica, Croatia, Cyprus, the Czech Republic, Denmark, Djibouti, Dominica, the Dominican Republic, East Timor, Ecuador, Egypt, El Salvador, Equatorial Guinea, Eritrea, Estonia, Ethiopia, Fiji, Finland, France, French Guiana, Gabon, Gambia, Georgia, Germany, Ghana, Gibraltar, Greece, Grenada, Guadeloupe, Guam, Guatemala, Guinea, Guinea-Bissau, Guyana, Haiti, Honduras, Hong Kong, Hungary, Iceland, India, Ireland, Israel, Italy, the Ivory Coast, Jamaica, Jordan, Kenya, Kiribati, Kyrgyzstan, Laos, Latvia, Lesotho, Liberia, Liechtenstein, Lithuania, Luxembourg, Macedonia, Madagascar, Malawi, Malaysia, the Maldives, Mali, Malta, the Marshall Islands, Martinique, Mauritania, Mauritius, Mexico, Micronesia, Monaco, Mongolia, Montenegro, Morocco, Mozambique, Namibia, Nauru, Nepal, the Nether Antilles, the Netherlands, New Zealand, Nicaragua, Niger, Nigeria, Norway, Oman, Pakistan, Palau, Panama, Papua New Guinea, Paraguay, Peru, the Philippines, Poland, Portugal, Puerto Rico, the Republic of Moldova, Romania, Russia, Rwanda, Samoa, San Marino, Sao Tome and Principe, Saudi Arabia, Senegal, Serbia, the Seychelles, Sierra Leone, Singapore, Slovakia, Slovenia, the Solomon Islands, Somalia, South Africa, South Korea, Spain, Sri Lanka, St. Kitts and Nevis, St. Lucia, St. Vincent and the Grenadines, Suriname, Swaziland, Sweden, Switzerland, Taiwan, Tajikistan, Tanzania, Togo, Tonga, Trinidad and Tobago, Tunisia, Turkey, Turkmenistan, Tuvalu, Uganda, Ukraine, the United Arab Emirates, the United Kingdom, Uruguay, Uzbekistan, Vanuatu, Venezuela, Vietnam, Yemen, Zaire, Zambia, and Zimbabwe
441075-291	Broadcom 802.11a/b/g WLAN module for use in Japan
449137-001	RTC battery
450066-001	Broadcom Bluetooth module for use in Japan and Asia Pacific
459263-001	Broadcom 4312 802.11b/g WLAN module for use in Antigua and Barbuda, Barbados, Belize, Canada, the Cayman Islands, Guam, Puerto Rico, Trinidad and Tobago, the U.S. Virgin Islands, and the United States
459263-002	Broadcom 4312 802.11b/g WLAN module for use in Afghanistan, Albania, Algeria, Andorra, Angola, Antigua and Barbuda, Argentina, Armenia, Aruba, Australia, Austria, Azerbaijan, the Bahamas, Bahrain, Bangladesh, Barbados, Belarus, Belgium, Belize, Benin, Bermuda, Bhutan, Bolivia, Bosnia and Herzegovina, Botswana, Brazil, the British Virgin Islands, Brunei, Bulgaria, Burkina Faso, Burundi, Cameroon, Cape Verde, the Central African Republic, Chad, Chile, the People's Republic of China, Colombia, Comoros, the Congo, Costa Rica, Croatia, Cyprus, the Czech Republic, Denmark, Djibouti, Dominica, the Dominican Republic, East Timor, Ecuador, Egypt, El Salvador, Equatorial Guinea, Eritrea, Estonia, Ethiopia, Fiji, Finland, France, French Guiana, Gabon, Gambia, Georgia, Germany, Ghana, Gibraltar, Greece, Grenada, Guadeloupe, Guatemala, Guinea, Guinea-Bissau, Guyana, Haiti, Honduras, Hong Kong, Hungary, Iceland, India, Ireland, Israel, Italy, the Ivory Coast, Jamaica, Jordan, Kazakhstan, Kenya, Kiribati, Kyrgyzstan, Laos, Latvia, Lebanon, Lesotho, Liberia, Liechtenstein, Lithuania, Luxembourg, Macedonia, Madagascar, Malawi, Malaysia, the Maldives, Mali, Malta, the Marshall Islands, Martinique, Mauritania, Mauritius, Mexico, Micronesia, Monaco, Mongolia, Montenegro, Morocco, Mozambique, Namibia, Nauru, Nepal, the Nether Antilles, the Netherlands, New Zealand, Nicaragua, Niger, Nigeria, Norway, Oman, Pakistan, Palau, Panama, Papua New Guinea, Paraguay, Peru, the Philippines, Poland, Portugal, the Republic of Moldova, Romania, Russia, Rwanda, Samoa, San Marino, Sao Tome and Principe, Saudi Arabia, Senegal, Serbia, the Seychelles, Sierra Leone, Singapore, Slovakia, Slovenia, the Solomon Islands, Somalia, South Africa, South Korea, Spain, Sri Lanka, St. Kitts and Nevis, St. Lucia, St. Vincent and the Grenadines, Suriname, Swaziland, Sweden, Switzerland, Taiwan, Tajikistan, Tanzania, Togo, Tonga, Trinidad and Tobago, Tunisia, Turkey, Turkmenistan, Tuvalu, Uganda, Ukraine, the United Arab Emirates, the United Kingdom, Uruguay, Uzbekistan, Vanuatu, Venezuela, Vietnam, Yemen, Zaire, Zambia, and Zimbabwe

Spare part number	Description
461749-001	Modem module for use in all countries and regions except Australia and New Zealand
461749-011	Modem module for use in Australia and New Zealand
463955-001	90-W Slimline AC adapter (for use only with HP Compaq 6730s Notebook PC models in all countries and regions except India)
463956-001	90-W Slimline AC adapter (for use only with HP Compaq 6730s Notebook PC models in India)
463958-001	65-W AC adapter
480985-001	Intel Wi-Fi Link 5100 802.11a/b/g/n WLAN module for use in all countries and regions except Pakistan, Russia, and the Ukraine
487330-001	Broadcom 4322 802.11a/b/g/n WLAN module for use in Antigua and Barbuda, Barbados, Belize, Canada, the Cayman Islands, Guam, Puerto Rico, Trinidad and Tobago, the U.S. Virgin Islands, and the United States
487330-002	Broadcom 4322 802.11a/b/g/n WLAN module for use in Afghanistan, Albania, Algeria, Andorra, Angola, Antigua and Barbuda, Argentina, Armenia, Aruba, Australia, Austria, Azerbaijan, the Bahamas, Bahrain, Bangladesh, Barbados, Belarus, Belgium, Belize, Benin, Bermuda, Bhutan, Bolivia, Bosnia and Herzegovina, Botswana, Brazil, the British Virgin Islands, Brunei, Bulgaria, Burkina Faso, Burundi, Cameroon, Cape Verde, the Central African Republic, Chad, Chile, the People's Republic of China, Colombia, Comoros, the Congo, Costa Rica, Croatia, Cyprus, the Czech Republic, Denmark, Djibouti, Dominica, the Dominican Republic, East Timor, Ecuador, Egypt, El Salvador, Equatorial Guinea, Eritrea, Estonia, Ethiopia, Fiji, Finland, France, French Guiana, Gabon, Gambia, Georgia, Germany, Ghana, Gibraltar, Greece, Grenada, Guadeloupe, Guatemala, Guinea, Guinea-Bissau, Guyana, Haiti, Honduras, Hong Kong, Hungary, Iceland, India, Ireland, Israel, Italy, the Ivory Coast, Jamaica, Jordan, Kazakhstan, Kenya, Kiribati, Kyrgyzstan, Laos, Latvia, Lebanon, Lesotho, Liberia, Liechtenstein, Lithuania, Luxembourg, Macedonia, Madagascar, Malawi, Malaysia, the Maldives, Mali, Malta, the Marshall Islands, Martinique, Mauritania, Mauritius, Mexico, Micronesia, Monaco, Mongolia, Montenegro, Morocco, Mozambique, Namibia, Nauru, Nepal, the Nether Antilles, the Netherlands, New Zealand, Nicaragua, Niger, Nigeria, Norway, Oman, Pakistan, Palau, Panama, Papua New Guinea, Paraguay, Peru, the Philippines, Poland, Portugal, the Republic of Moldova, Romania, Russia, Rwanda, Samoa, San Marino, Sao Tome and Principe, Saudi Arabia, Senegal, Serbia, the Seychelles, Sierra Leone, Singapore, Slovakia, Slovenia, the Solomon Islands, Somalia, South Africa, South Korea, Spain, Sri Lanka, St. Kitts and Nevis, St. Lucia, St. Vincent and the Grenadines, Suriname, Swaziland, Sweden, Switzerland, Taiwan, Tajikistan, Tanzania, Togo, Tonga, Trinidad and Tobago, Tunisia, Turkey, Turkmenistan, Tuvalu, Uganda, Ukraine, the United Arab Emirates, the United Kingdom, Uruguay, Uzbekistan, Vanuatu, Venezuela, Vietnam, Yemen, Zaire, Zambia, and Zimbabwe
490324-001	Fan for use only with HP Compaq 6730s Notebook PC models
490371-001	Power cord for use in the United States
490371-011	Power cord for use in Australia and New Zealand
490371-021	Power cord for use in Europe, the Middle East, and Africa
490371-031	Power cord for use in the United Kingdom and Singapore
490371-061	Power cord for use in Italy
490371-081	Power cord for use in Denmark
490371-111	Power cord for use in Switzerland
490371-201	Power cord for use in Brazil
490371-291	Power cord for use in Japan
490371-AA1	Power cord for use in the People's Republic of China
490371-AB1	Power cord for use in Taiwan
490371-AD1	Power cord for use in South Korea

Spare part number	Description
490371-AR1	Power cord for use in South Africa
490371-BB1	Power cord for use in Israel
490371-D01	Power cord for use in Argentina
490371-D61	Power cord for use in India
491250-001	System Board (includes replacement thermal material and the ExpressCard assembly) for use only with computer models equipped with Intel processors with UMA graphics subsystem memory
491251-001	Webcam module for use only with HP Compaq 6730s Notebook PC models
491252-001	Base enclosure (includes rubber feet) for use only with HP Compaq 6730s Notebook PC models
491253-001	Plastics Kit for use only with HP Compaq 6730s Notebook PC models (see <a href="#">Plastics Kit on page 28</a> for more Plastics Kit spare part information)
491254-001	Top cover (includes TouchPad board and cable, and TouchPad button board and cable)
491255-001	Heat sink for use only with HP Compaq 6730s Notebook PC models
491256-001	Display inverter for use only with HP Compaq 6730s Notebook PC models
491257-001	Display bezel and cover for use only with HP Compaq 6730s Notebook PC models not equipped with a webcam
491258-001	Display bezel and cover with webcam for use only with HP Compaq 6730s Notebook PC models equipped with a webcam
491259-001	Display Cable Kit for use only with HP Compaq 6730s Notebook PC models
491260-001	LCD miscellaneous for use only with HP Compaq 6730s Notebook PC models
491261-001	15.4-inch WXGA display assembly for use only with HP Compaq 6730s Notebook PC models
491262-001	15.4-inch WXGA BrightView display assembly for use only with HP Compaq 6730s Notebook PC models
491263-001	15.4-inch WXGA display assembly with webcam for use only with HP Compaq 6730s Notebook PC models
491264-001	15.4-inch WXGA BrightView display assembly with webcam for use only with HP Compaq 6730s Notebook PC models
491265-001	120-GB, 5400-rpm hard drive for use only with HP Compaq 6730s Notebook PC models (includes hard drive bracket)
491266-001	120-GB, 7200-rpm hard drive for use only with HP Compaq 6730s Notebook PC models (includes hard drive bracket)
491267-001	160-GB, 5400-rpm hard drive for use only with HP Compaq 6730s Notebook PC models (includes hard drive bracket)
491268-001	250-GB, 5400-rpm hard drive for use only with HP Compaq 6730s Notebook PC models (includes hard drive bracket)
491269-001	Optical drive connector
491270-001	DVD-ROM Drive for use only with HP Compaq 6730s Notebook PC models
491271-001	DVD/CD-RW Combo Drive for use only with HP Compaq 6730s Notebook PC models
491272-001	DVD±RW Double-Layer Drive with LightScribe for use only with HP Compaq 6730s Notebook PC models
491273-001	Blu-ray Disc ROM Drive with SuperMulti DVD±R/RW Double-Layer for use only with HP Compaq 6730s Notebook PC models

Spare part number	Description
491274-001	Keyboard for use in the United States only with HP Compaq 6730s Notebook PC models
491274-031	Keyboard for use in the United Kingdom only with HP Compaq 6730s Notebook PC models
491274-041	Keyboard for use in Germany only with HP Compaq 6730s Notebook PC models
491274-051	Keyboard for use in France only with HP Compaq 6730s Notebook PC models
491274-061	Keyboard for use in Italy only with HP Compaq 6730s Notebook PC models
491274-071	Keyboard for use in Spain only with HP Compaq 6730s Notebook PC models
491274-081	Keyboard for use in Denmark only with HP Compaq 6730s Notebook PC models
491274-091	Keyboard for use in Norway with HP Compaq 6730s and 6735s Notebook PC models
491274-121	Keyboard for use in French Canada only with HP Compaq 6730s Notebook PC models
491274-131	Keyboard for use in Portugal only with HP Compaq 6730s Notebook PC models
491274-141	Keyboard for use in Turkey only with HP Compaq 6730s Notebook PC models
491274-161	Keyboard for use in Latin America only with HP Compaq 6730s Notebook PC models
491274-171	Keyboard for use in Saudi Arabia only with HP Compaq 6730s Notebook PC models
491274-181	Keyboard for use in Belgium only with HP Compaq 6730s Notebook PC models
491274-201	Keyboard for use in Brazil only with HP Compaq 6730s Notebook PC models
491274-211	Keyboard for use in Hungary only with HP Compaq 6730s Notebook PC models
491274-221	Keyboard for use in the Czech Republic only with HP Compaq 6730s Notebook PC models
491274-231	Keyboard for use in Slovakia only with HP Compaq 6730s Notebook PC models
491274-251	Keyboard for use in Russia only with HP Compaq 6730s Notebook PC models
491274-281	Keyboard for use in Thailand only with HP Compaq 6730s Notebook PC models
491274-291	Keyboard for use in Japan only with HP Compaq 6730s Notebook PC models
491274-AB1	Keyboard for use in Taiwan only with HP Compaq 6730s Notebook PC models
491274-AD1	Keyboard for use in South Korea only with HP Compaq 6730s Notebook PC models
491274-B31	Keyboard for International use only with HP Compaq 6730s Notebook PC models
491274-B71	Keyboard for use in Finland only with HP Compaq 6730s Notebook PC models
491274-BA1	Keyboard for use in Slovenia only with HP Compaq 6730s Notebook PC models
491274-BB1	Keyboard for use in Israel only with HP Compaq 6730s Notebook PC models
491274-BG1	Keyboard for use in Switzerland only with HP Compaq 6730s Notebook PC models
491274-DD1	Keyboard for use in Iceland only with HP Compaq 6730s Notebook PC models
491274-DJ1	Keyboard for use in Greece only with HP Compaq 6730s Notebook PC models
491275-001	Rubber Kit (contains 7 computer feet and 8 display bezel screw covers) for use only with HP Compaq 6730s Notebook PC models
491276-001	Screw Kit for use only with HP Compaq 6730s Notebook PC models
491277-001	Speaker Kit for use only with HP Compaq 6730s Notebook PC models

Spare part number	Description
491278-001	6-cell, 47-Wh Li-ion battery for use only with HP Compaq 6730s Notebook PC models
491279-001	8-cell, 63-Wh Li-ion battery for use only with HP Compaq 6730s Notebook PC models
491281-001	Logo Kit for use only with HP Compaq 6730s Notebook PC models
491282-001	Intel Celeron M 575 2.0-GHz processor (1-MB, L2 cache, 667-MHz FSB) for use only with HP Compaq 6730s Notebook PC models
491283-001	Intel Celeron M 585 2.16-GHz processor (1-MB, L2 cache, 667-MHz FSB) for use only with HP Compaq 6730s Notebook PC models
491284-001	Intel Core2 Duo P8400 2.26-GHz processor (3-MB, L2 cache, 1066-MHz FSB) for use only with HP Compaq 6730s Notebook PC models
491285-001	Intel Core2 Duo P8600 2.40-GHz processor (3-MB, L2 cache, 1066-MHz FSB) for use only with HP Compaq 6730s Notebook PC models
491286-001	Intel Core2 Duo T9400 2.53-GHz processor (6-MB, L2 cache, 1066-MHz FSB) for use only with HP Compaq 6730s Notebook PC models
491287-001	Cable Kit for use only with HP Compaq 6730s Notebook PC models (see <a href="#">Cable Kit on page 29</a> for more Cable Kit spare part information)
491288-001	Switch cover (includes LED board and cable) for use only with HP Compaq 6730s Notebook PC models
491476-001	Memory module, 1-GB, (PC2-5300, 667-MHz, DDR2) for use only with HP Compaq 6730s Notebook PC models
491477-001	Memory module, 1-GB, (PC2-6400, 800-MHz, DDR2) for use only with HP Compaq 6730s Notebook PC models
491478-001	Memory module, 2-GB, (PC2-5300, 667-MHz, DDR2) for use only with HP Compaq 6730s Notebook PC models
491479-001	Memory module, 2-GB (PC2-6400, 800-MHz, DDR2) for use only with HP Compaq 6730s Notebook PC models
491578-001	AMD Sempron processor, SI-40, 2.0 GHz (512-KB, L2 cache, 25W) for use only with HP Compaq 6735s Notebook PC models
491579-001	AMD Athlon Dual-Core processor, QL-60, 1.9-GHz (1-MB, L2 cache, 35W) for use only with HP Compaq 6735s Notebook PC models
491580-001	AMD Turion Dual-Core processor, RM-70, 2.0-GHz (1-MB, L2 cache, 35W) for use only with HP Compaq 6735s Notebook PC models
491581-001	AMD Turion Ultra Dual-Core processor, ZM-80, 2.1-GHz (2-MB, L2 cache, 35W) for use only with HP Compaq 6735s Notebook PC models
491582-001	AMD Turion Ultra Dual-Core processor, ZM-82, 2.2-GHz (2-MB, L2 cache, 35W) for use only with HP Compaq 6735s Notebook PC models
491583-001	AMD Turion Ultra Dual-Core processor, ZM-86, 2.4-GHz (2-MB, L2 cache, 35W) for use only with HP Compaq 6735s Notebook PC models
491584-001	15.4-inch WXGA display assembly (includes 2 WLAN antenna transceivers and cables) for use in all countries and regions except Brazil only with HP Compaq 6735s Notebook PC models
491585-001	15.4-inch WXGA display assembly (includes 2 WLAN antenna transceivers and cables) for use only in Brazil with HP Compaq 6735s Notebook PC models
491586-001	15.4-inch WXGA display assembly with webcam (includes 2 WLAN antenna transceivers and cables) for use only in Brazil with HP Compaq 6735s Notebook PC models

Spare part number	Description
491587-001	15.4-inch WXGA BrightView display assembly (includes 2 WLAN antenna transceivers and cables) for use only with HP Compaq 6735s Notebook PC models
491588-001	15.4-inch WXGA BrightView display assembly (includes 2 WLAN antenna transceivers and cables) for use only in Brazil with HP Compaq 6735s Notebook PC models
491589-001	15.4-inch WXGA BrightView display assembly with webcam (includes 2 WLAN antenna transceivers and cables) for use only in Brazil with HP Compaq 6735s Notebook PC models
491591-001	1024-MB memory module (PC2-5300, 667-MHz, DDR2) for use only with HP Compaq 6735s Notebook PC models
491592-001	2048-MB memory module (PC2-5300, 667-MHz, DDR2) for use only with HP Compaq 6735s Notebook PC models
491594-001	1024-MB memory module (PC2-6400, 800-MHz, DDR2) for use only with HP Compaq 6735s Notebook PC models
491595-001	2048-MB memory module (PC2-6400, 800-MHz, DDR2) for use only with HP Compaq 6735s Notebook PC models
491596-001	120-GB, 5400-rpm hard drive for use only with HP Compaq 6735s Notebook PC models
491597-001	160-GB, 5400-rpm hard drive for use only with HP Compaq 6735s Notebook PC models
491598-001	250-GB, 5400-rpm hard drive for use only with HP Compaq 6735s Notebook PC models
491599-001	DVD-ROM Drive for use only with HP Compaq 6735s Notebook PC models
491600-001	DVD/CD-RW Combo Drive for use only with HP Compaq 6735s Notebook PC models
491601-001	DVD±RW SuperMulti Double-Layer Drive with LightScribe for use only with HP Compaq 6735s Notebook PC models
491603-001	Keyboard for use in the United States only with HP Compaq 6735s Notebook PC models
491603-031	Keyboard for use in the United Kingdom only with HP Compaq 6735s Notebook PC models
491603-041	Keyboard for use in Germany only with HP Compaq 6735s Notebook PC models
491603-051	Keyboard for use in France only with HP Compaq 6735s Notebook PC models
491603-061	Keyboard for use in Italy only with HP Compaq 6735s Notebook PC models
491603-071	Keyboard for use in Spain only with HP Compaq 6735s Notebook PC models
491603-081	Keyboard for use in Denmark only with HP Compaq 6735s Notebook PC models
491603-121	Keyboard for use in French Canada only with HP Compaq 6735s Notebook PC models
491603-131	Keyboard for use in Portugal only with HP Compaq 6735s Notebook PC models
491603-141	Keyboard for use in Turkey only with HP Compaq 6735s Notebook PC models
491603-151	Keyboard for use in Greece only with HP Compaq 6735s Notebook PC models
491603-161	Keyboard for use in Latin America only with HP Compaq 6735s Notebook PC models
491603-171	Keyboard for use in Saudi Arabia only with HP Compaq 6735s Notebook PC models
491603-201	Keyboard for use in Brazil only with HP Compaq 6735s Notebook PC models
491603-211	Keyboard for use in Hungary only with HP Compaq 6735s Notebook PC models
491603-221	Keyboard for use in Czech Republic only with HP Compaq 6735s Notebook PC models

Spare part number	Description
491603-231	Keyboard for use in Slovakia only with HP Compaq 6735s Notebook PC models
491603-251	Keyboard for use in Russia only with HP Compaq 6735s Notebook PC models
491603-281	Keyboard for use in Thailand only with HP Compaq 6735s Notebook PC models
491603-291	Keyboard for use in Japan only with HP Compaq 6735s Notebook PC models
491603-A41	Keyboard for use in Belgium only with HP Compaq 6735s Notebook PC models
491603-AB1	Keyboard for use in Taiwan only with HP Compaq 6735s Notebook PC models
491603-AD1	Keyboard for use in South Korea only with HP Compaq 6735s Notebook PC models
491603-B31	Keyboard for International use only with HP Compaq 6735s Notebook PC models
491603-B71	Keyboard for use in Finland only with HP Compaq 6735s Notebook PC models
491603-BA1	Keyboard for use in Slovakia only with HP Compaq 6735s Notebook PC models
491603-BB1	Keyboard for use in Israel only with HP Compaq 6735s Notebook PC models
491603-BG1	Keyboard for use in Switzerland only with HP Compaq 6735s Notebook PC models
491603-DD1	Keyboard for use in Iceland only with HP Compaq 6735s Notebook PC models
491604-001	Base enclosure (includes rubber feet) for use only with HP Compaq 6735s Notebook PC models
481608-001	Cable Kit for use only with HP Compaq 6735s Notebook PC models (includes RJ-11 jack cable and USB cable)
491610-001	Display Hinge Kit for use only with HP Compaq 6735s Notebook PC models (includes left and right hinges)
491612-001	Speakers for use only with HP Compaq 6735s Notebook PC models
491613-001	Thermal module for use only with HP Compaq 6735s Notebook PC models
491616-001	Plastics Kit for use only with HP Compaq 6735s Notebook PC models
491617-001	Screw Kit for use only with HP Compaq 6735s Notebook PC models
491620-001	Rubber Kit for use only with HP Compaq 6735s Notebook PC models
491621-001	Fan for use only with HP Compaq 6735s Notebook PC models
491622-001	Logo Kit for use only with HP Compaq 6735s Notebook PC models
491976-001	System board (includes replacement thermal material and the ExpressCard assembly) for use only with HP Compaq 6730s Notebook PC models equipped with Intel processors with discrete graphics subsystem memory (includes 256-MB of graphics subsystem memory)
491979-001	Thermal module for use only with HP Compaq 6730s Notebook PC models equipped with discrete graphics subsystem memory
494106-01	System board (includes replacement thermal material and the ExpressCard assembly) for use only with HP Compaq 6735s Notebook PC models equipped with UMA graphics subsystem memory
494108-001	Display bezel and cover for use only with HP Compaq 6735s Notebook PC models not equipped with a webcam
494109-001	Display bezel and cover for use only with HP Compaq 6735s Notebook PC models equipped with a webcam
494110-001	Webcam with module board for use only with HP Compaq 6735s Notebook PC models
494114-001	Display Cable Kit for use only with HP Compaq 6735s Notebook PC models



Spare part number	Description
494115-001	Switch cover (includes LED power button board and cable) for use only with HP Compaq 6735s Notebook PC models
494116-001	Display inverter (includes cable) for use only with HP Compaq 6735s Notebook PC models
496677-001	Intel Core2 Duo T5670 1.80-GHz processor (2-MB L2 cache, 800-MHz FSB) (socketed) (not available for Japan)
496678-001	Intel Core2 Duo T5870 2.0-GHz processor (2-MB L2 cache, 800-MHz FSB) (socketed) (not available for Japan)
496679-001	Thermal module for use only with HP Compaq 6730s Notebook PC models equipped with Intel processors and UMA graphics subsystem memory
496680-001	Display hinges (15-in) for use only with HP Compaq 6730s Notebook PC models
496897-001	8-cell 63-Wh Li-ion battery for use only with HP Compaq 6735s Notebook PC models
500328-001	Display miscellaneous (includes a 15-inch display miscellaneous assembly, aluminum foil shield, and tape) for use only with HP Compaq 6735s Notebook PC models
501354-001	System board GL45 (includes replacement thermal material and the ExpressCard assembly) for use only with HP Compaq 6730s Notebook PC models equipped with Intel processors with UMA graphics subsystem memory
501870-001	6-cell 47-Wh Li-ion battery for use only with HP Compaq 6735s Notebook PC models
506278-001	AMD Athlon Dual-Core QL-62 2.0-GHz processor (1-MB L2 cache, 35W) for use only with HP Compaq 6735s Notebook PC models
506279-001	AMD Turion Dual-Core RM-72 2.1-GHz processor (1-MB, L2 cache, 35W) for use only with HP Compaq 6735s Notebook PC models
506280-001	AMD Turion Ultra Dual-Core ZM-84 2.3-GHz processor (2-MB L2 cache, 35W) for use only with HP Compaq 6735s Notebook PC models
506449-001	Intel Celeron Dual-Core T1600 1.66-GHz processor (1-MB L2 cache, 667-MHz FSB) for use only with HP Compaq 6730s Notebook PC models
506450-001	Intel Celeron Dual-Core T1700 1.83-GHz processor (1-MB L2 cache, 667-MHz FSB) for use only with HP Compaq 6730s Notebook PC models
506451-001	Intel Core2 Duo P7370 2.0-GHz processor (3-MB L2 cache, 1066-MHz FSB) for use only with HP Compaq 6705s Notebook PC models (only available with Intel WLAN)
506452-001	160-GB, 7200-rpm hard drive for use only with HP Compaq 6730s Notebook PC models (includes hard drive bracket)
510176-001	320-GB, 5400-rpm hard drive for use only with HP Compaq 6730s Notebook PC models (includes hard drive bracket)

---

# 4 Removal and replacement procedures

## Preliminary replacement requirements

### Tools required


You will need the following tools to complete the removal and replacement procedures:

- Flat-bladed screwdriver
- Magnetic screwdriver
- Phillips P0 and P1 screwdrivers
- Torx T8 screwdriver

### Service considerations

The following sections include some of the considerations that you must keep in mind during disassembly and assembly procedures.

---

 **NOTE:** As you remove each subassembly from the computer, place the subassembly (and all accompanying screws) away from the work area to prevent damage.

---

### Plastic parts

Using excessive force during disassembly and reassembly can damage plastic parts. Use care when handling the plastic parts. Apply pressure only at the points designated in the maintenance instructions.

## Cables and connectors

- 
- △ **CAUTION:** When servicing the computer, be sure that cables are placed in their proper locations during the reassembly process. Improper cable placement can damage the computer.
- 

Cables must be handled with extreme care to avoid damage. Apply only the tension required to unseat or seat the cables during removal and insertion. Handle cables by the connector whenever possible. In all cases, avoid bending, twisting, or tearing cables. Be sure that cables are routed in such a way that they cannot be caught or snagged by parts being removed or replaced. Handle flex cables with extreme care; these cables tear easily.

## Drive handling

- 
- △ **CAUTION:** Drives are fragile components that must be handled with care. To prevent damage to the computer, damage to a drive, or loss of information, observe these precautions:
- 

Before removing or inserting a hard drive, shut down the computer. If you are unsure whether the computer is off or in Hibernation, turn the computer on, and then shut it down through the operating system.

Before handling a drive, be sure that you are discharged of static electricity. While handling a drive, avoid touching the connector.

Before removing a diskette drive or optical drive, be sure that a diskette or disc is not in the drive and be sure that the optical drive tray is closed.

Handle drives on surfaces covered with at least one inch of shock-proof foam.

Avoid dropping drives from any height onto any surface.

After removing a hard drive, an optical drive, or a diskette drive, place it in a static-proof bag.

Avoid exposing a hard drive to products that have magnetic fields, such as monitors or speakers.

Avoid exposing a drive to temperature extremes or liquids.

If a drive must be mailed, place the drive in a bubble pack mailer or other suitable form of protective packaging and label the package "FRAGILE."

---

## Grounding guidelines

### Electrostatic discharge damage

Electronic components are sensitive to electrostatic discharge (ESD). Circuitry design and structure determine the degree of sensitivity. Networks built into many integrated circuits provide some protection, but in many cases, ESD contains enough power to alter device parameters or melt silicon junctions.

A discharge of static electricity from a finger or other conductor can destroy static-sensitive devices or microcircuitry. Even if the spark is neither felt nor heard, damage may have occurred.

An electronic device exposed to ESD may not be affected at all and can work perfectly throughout a normal cycle. Or the device may function normally for a while, then degrade in the internal layers, reducing its life expectancy.

- △ **CAUTION:** To prevent damage to the computer when you are removing or installing internal components, observe these precautions:

Keep components in their electrostatic-safe containers until you are ready to install them.

Use nonmagnetic tools.

Before touching an electronic component, discharge static electricity by using the guidelines described in this section.

Avoid touching pins, leads, and circuitry. Handle electronic components as little as possible.

If you remove a component, place it in an electrostatic-safe container.

The following table shows how humidity affects the electrostatic voltage levels generated by different activities.

- △ **CAUTION:** A product can be degraded by as little as 700 V.

Typical electrostatic voltage levels			
Event	Relative humidity		
	10%	40%	55%
Walking across carpet	35,000 V	15,000 V	7,500 V
Walking across vinyl floor	12,000 V	5,000 V	3,000 V
Motions of bench worker	6,000 V	800 V	400 V
Removing DIPS from plastic tube	2,000 V	700 V	400 V
Removing DIPS from vinyl tray	11,500 V	4,000 V	2,000 V
Removing DIPS from Styrofoam	14,500 V	5,000 V	3,500 V
Removing bubble pack from PCB	26,500 V	20,000 V	7,000 V
Packing PCBs in foam-lined box	21,000 V	11,000 V	5,000 V

## Packaging and transporting guidelines

Follow these grounding guidelines when packaging and transporting equipment:

- To avoid hand contact, transport products in static-safe tubes, bags, or boxes.
- Protect ESD-sensitive parts and assemblies with conductive or approved containers or packaging.
- Keep ESD-sensitive parts in their containers until the parts arrive at static-free workstations.
- Place items on a grounded surface before removing items from their containers.
- Always be properly grounded when touching a component or assembly.
- Store reusable ESD-sensitive parts from assemblies in protective packaging or nonconductive foam.
- Use transporters and conveyors made of antistatic belts and roller bushings. Be sure that mechanized equipment used for moving materials is wired to ground and that proper materials are selected to avoid static charging. When grounding is not possible, use an ionizer to dissipate electric charges.

## Workstation guidelines

Follow these grounding workstation guidelines:

- Cover the workstation with approved static-shielding material.
- Use a wrist strap connected to a properly grounded work surface and use properly grounded tools and equipment.
- Use conductive field service tools, such as cutters, screwdrivers, and vacuums.
- When fixtures must directly contact dissipative surfaces, use fixtures made only of static-safe materials.
- Keep the work area free of nonconductive materials, such as ordinary plastic assembly aids and Styrofoam.
- Handle ESD-sensitive components, parts, and assemblies by the case or PCM laminate. Handle these items only at static-free workstations.
- Avoid contact with pins, leads, or circuitry.
- Turn off power and input signals before inserting or removing connectors or test equipment.

## Equipment guidelines

Grounding equipment must include either a wrist strap or a foot strap at a grounded workstation.

- When seated, wear a wrist strap connected to a grounded system. Wrist straps are flexible straps with a minimum of one megohm  $\pm 10\%$  resistance in the ground cords. To provide proper ground, wear a strap snugly against the skin at all times. On grounded mats with banana-plug connectors, use alligator clips to connect a wrist strap.
- When standing, use foot straps and a grounded floor mat. Foot straps (heel, toe, or boot straps) can be used at standing workstations and are compatible with most types of shoes or boots. On conductive floors or dissipative floor mats, use foot straps on both feet with a minimum of one megohm resistance between the operator and ground. To be effective, the conductive strips must be worn in contact with the skin.

The following grounding equipment is recommended to prevent electrostatic damage:

- Antistatic tape
- Antistatic smocks, aprons, and sleeve protectors
- Conductive bins and other assembly or soldering aids
- Nonconductive foam
- Conductive tabletop workstations with ground cords of one megohm resistance
- Static-dissipative tables or floor mats with hard ties to the ground
- Field service kits
- Static awareness labels
- Material-handling packages
- Nonconductive plastic bags, tubes, or boxes
- Metal tote boxes
- Electrostatic voltage levels and protective materials

The following table lists the shielding protection provided by antistatic bags and floor mats.

Material	Use	Voltage protection level
Antistatic plastic	Bags	1,500 V
Carbon-loaded plastic	Floor mats	7,500 V
Metallized laminate	Floor mats	5,000 V

## Unknown user password

If the computer you are servicing has an unknown user password, follow these steps to clear the password:



---

**NOTE:** These steps also clear CMOS.

---

1. Shut down the computer. If you are unsure whether the computer is off or in Hibernation, turn the computer on, and then shut it down through the operating system.
2. Disconnect all external devices connected to the computer.
3. Disconnect the power from the computer by first unplugging the power cord from the AC outlet and then unplugging the AC adapter from the computer.
4. Remove the battery (see [Battery on page 50](#)).
5. Remove the real-time clock (RTC) battery (see [RTC battery on page 80](#)).
6. Wait approximately 5 minutes.
7. Replace the RTC battery and reassemble the computer.
8. Connect AC power to the computer. Do not reinsert any batteries at this time.
9. Turn on the computer.

All passwords and all CMOS settings have been cleared.

# Component replacement procedures

This section provides removal and replacement procedures.

There are as many as 76 screws, in 16 different sizes, that must be removed, replaced, or loosened when servicing the computer. Make special note of each screw size and location during removal and replacement.

## Service tag location

The service tag, affixed to the bottom of the computer, provides information that may be needed when troubleshooting system problems. The service tag provides the following information:

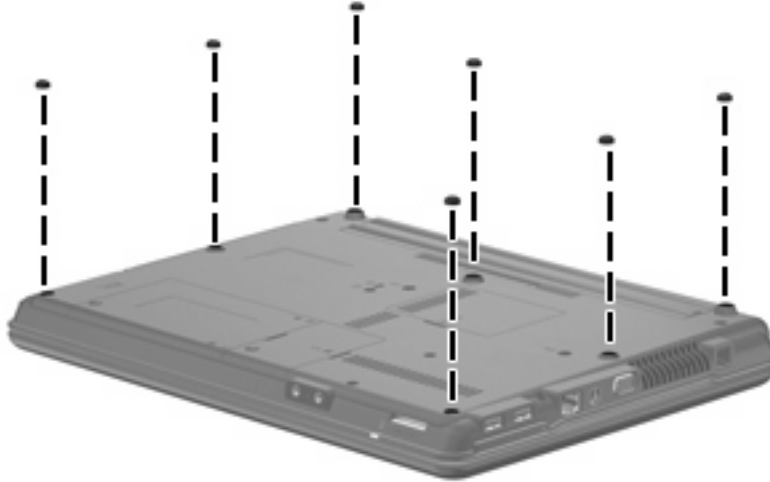
- (1) Product name: This is the product name affixed to the front of the computer.
- (2) Serial number (s/n): This is an alphanumeric identifier that is unique to each product.
- (3) Part number/Product number (p/n): This number provides specific information about the product's hardware components. The part number helps a service technician to determine what components and parts are needed.
- (4) Model description: This is the number used to locate documents, drivers, and support for the computer.
- (5) Warranty period: This number describes the duration of the warranty period for this computer.





## Computer feet

The computer feet are adhesive-backed rubber pads. The feet are included in the Rubber Kit, spare part numbers 491257-001 (for use only with HP Compaq 6730s Notebook PC models) and 491620-001 (for use only with HP Compaq 6735s Notebook PC models). There are 7 rubber feet that attach to the base enclosure in the locations illustrated below.



## Battery

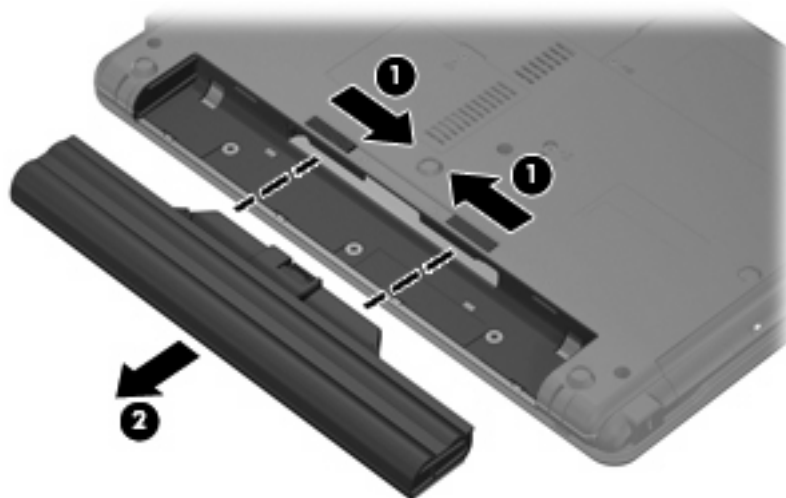
Description	Spare part number
<b>8-cell, 63-Wh Li-on battery</b>	
For use only with HP Compaq 6730s Notebook PC models	491279-001
For use only with HP Compaq 6735s Notebook PC models	496897-001
<b>6-cell, 47-Wh Li-on battery</b>	
For use only with HP Compaq 6730s Notebook PC models	491278-001
For use only with HP Compaq 6735s Notebook PC models	501870-001

Before disassembling the computer, follow these steps:

1. Shut down the computer. If you are unsure whether the computer is off or in Hibernation, turn the computer on, and then shut it down through the operating system.
2. Disconnect all external devices connected to the computer.
3. Disconnect the power from the computer by first unplugging the power cord from the AC outlet and then unplugging the AC adapter from the computer.

Remove the battery:

1. Turn the computer upside down on a flat surface, with the battery bay toward you.
2. Slide the battery release latches (1) to release the battery.
3. Remove the battery (2) from the computer.



Install the battery by inserting it into the battery bay until you hear a click.

## Hard drive

 **NOTE:** All hard drive spare part kits include a hard drive bracket.

Description	Spare part number
<b>For use only with HP Compaq 6730s Notebook PC models</b>	
320-GB, 5400-rpm hard drive	510176-001
250-GB, 5400-rpm hard drive	491268-001
160-GB, 7200-rpm hard drive	506452-001
160-GB, 5400-rpm hard drive	457014-001
120-GB, 5400-rpm hard drive	491267-001
120-GB, 7200-rpm hard drive	491266-001
120-GB, 5400-rpm hard drive	491265-001
<b>For use only with HP Compaq 6735s Notebook PC models</b>	
250-GB, 5400-rpm hard drive	491598-001
160-GB, 5400-rpm hard drive	491597-001
120-GB, 5400-rpm hard drive	491596-001

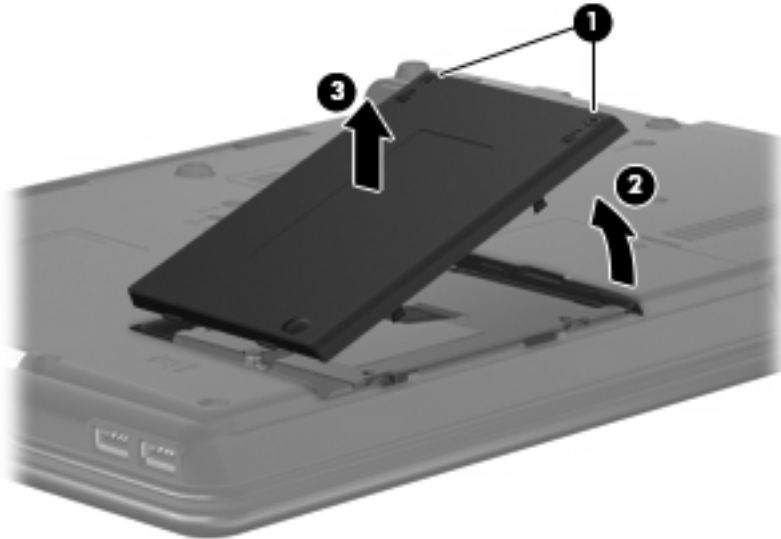
Before removing the hard drive, follow these steps:

1. Shut down the computer. If you are unsure whether the computer is off or in Hibernation, turn the computer on, and then shut it down through the operating system.
2. Disconnect all external devices connected to the computer.
3. Disconnect the power from the computer by first unplugging the power cord from the AC outlet and then unplugging the AC adapter from the computer.
4. Remove the battery (see [Battery on page 50](#)).

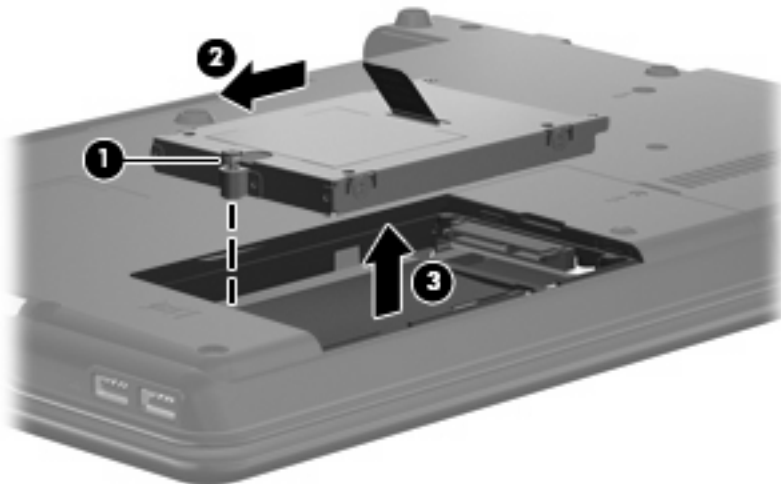
Remove the hard drive:

1. Position the computer with the front toward you.
2. Loosen the two Phillips PM2.5×6.0 captive screws **(1)** that secure the hard drive bay cover to the computer.

3. Lift the right side of the hard drive bay cover (2), swing it to left, and remove the cover (3). The hard drive bay cover is included in the Plastics Kit, spare part numbers 491253-001 (for HP Compaq 6730s Notebook PC models) and 491616-001 (for HP Compaq 6735s Notebook PC models).

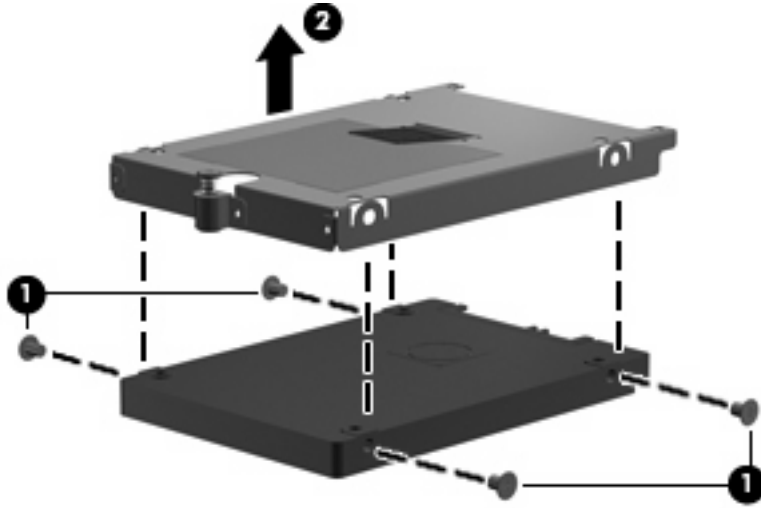


4. Loosen the Phillips PM2.5×10.0 captive screw (1) that secures the hard drive to the computer.
5. Grasp the Mylar tab on the hard drive and slide the hard drive (2) to the left to disconnect it from the system board.
6. Remove the hard drive (3) from the hard drive bay.



7. If it is necessary to replace the hard drive bracket, remove the two Phillips PM3.0×4.0 hard drive bracket screws (1) from each side of the hard drive.

8. Lift the bracket (2) straight up to remove it from the hard drive.



Reverse this procedure to reassemble and install the hard drive.

## WLAN module

Description	Spare part number
Intel Wi-Fi Link 5100 802.11a/b/g/n WLAN module for use in all countries and regions except Pakistan, Russia, and the Ukraine	480985-001
Broadcom BCM4312 802.11b/g WLAN modules:	
<ul style="list-style-type: none"> <li>For use in Antigua and Barbuda, Barbados, Belize, Canada, the Cayman Islands, Guam, Puerto Rico, Trinidad and Tobago, the U.S. Virgin Islands, and the United States</li> </ul>	459263-001
<ul style="list-style-type: none"> <li>For use in Afghanistan, Albania, Algeria, Andorra, Angola, Antigua and Barbuda, Argentina, Armenia, Aruba, Australia, Austria, Azerbaijan, the Bahamas, Bahrain, Bangladesh, Barbados, Belarus, Belgium, Belize, Benin, Bermuda, Bhutan, Bolivia, Bosnia and Herzegovina, Botswana, Brazil, the British Virgin Islands, Brunei, Bulgaria, Burkina Faso, Burundi, Cameroon, Cape Verde, the Central African Republic, Chad, Chile, the People's Republic of China, Colombia, Comoros, the Congo, Costa Rica, Croatia, Cyprus, the Czech Republic, Denmark, Djibouti, Dominica, the Dominican Republic, East Timor, Ecuador, Egypt, El Salvador, Equatorial Guinea, Eritrea, Estonia, Ethiopia, Fiji, Finland, France, French Guiana, Gabon, Gambia, Georgia, Germany, Ghana, Gibraltar, Greece, Grenada, Guadeloupe, Guatemala, Guinea, Guinea-Bissau, Guyana, Haiti, Honduras, Hong Kong, Hungary, Iceland, India, Ireland, Israel, Italy, the Ivory Coast, Jamaica, Jordan, Kazakhstan, Kenya, Kiribati, Kyrgyzstan, Laos, Latvia, Lebanon, Lesotho, Liberia, Liechtenstein, Lithuania, Luxembourg, Macedonia, Madagascar, Malawi, Malaysia, the Maldives, Mali, Malta, the Marshall Islands, Martinique, Mauritania, Mauritius, Mexico, Micronesia, Monaco, Mongolia, Montenegro, Morocco, Mozambique, Namibia, Nauru, Nepal, the Nether Antilles, the Netherlands, New Zealand, Nicaragua, Niger, Nigeria, Norway, Oman, Pakistan, Palau, Panama, Papua New Guinea, Paraguay, Peru, the Philippines, Poland, Portugal, the Republic of Moldova, Romania, Russia, Rwanda, Samoa, San Marino, Sao Tome and Principe, Saudi Arabia, Senegal, Serbia, the Seychelles, Sierra Leone, Singapore, Slovakia, Slovenia, the Solomon Islands, Somalia, South Africa, South Korea, Spain, Sri Lanka, St. Kitts and Nevis, St. Lucia, St. Vincent and the Grenadines, Suriname, Swaziland, Sweden, Switzerland, Taiwan, Tajikistan, Tanzania, Togo, Tonga, Trinidad and Tobago, Tunisia, Turkey, Turkmenistan, Tuvalu, Uganda, Ukraine, the United Arab Emirates, the United Kingdom, Uruguay, Uzbekistan, Vanuatu, Venezuela, Vietnam, Yemen, Zaire, Zambia, and Zimbabwe</li> </ul>	459263-002
Broadcom BCM4322 802.11a/b/g/n WLAN modules:	
<ul style="list-style-type: none"> <li>For use in Antigua and Barbuda, Barbados, Belize, Canada, the Cayman Islands, Guam, Puerto Rico, Trinidad and Tobago, the U.S. Virgin Islands, and the United States</li> </ul>	487330-001

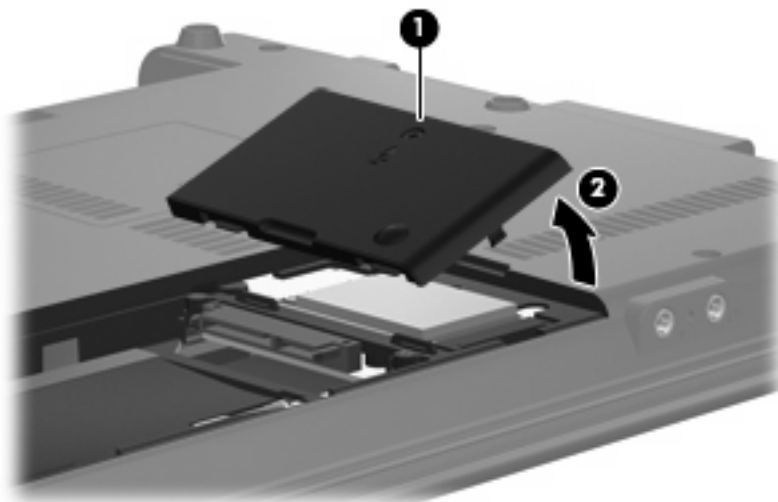
Description	Spare part number
<ul style="list-style-type: none"> <li>For use in Afghanistan, Albania, Algeria, Andorra, Angola, Antigua and Barbuda, Argentina, Armenia, Aruba, Australia, Austria, Azerbaijan, the Bahamas, Bahrain, Bangladesh, Barbados, Belarus, Belgium, Belize, Benin, Bermuda, Bhutan, Bolivia, Bosnia and Herzegovina, Botswana, Brazil, the British Virgin Islands, Brunei, Bulgaria, Burkina Faso, Burundi, Cameroon, Cape Verde, the Central African Republic, Chad, Chile, the People's Republic of China, Colombia, Comoros, the Congo, Costa Rica, Croatia, Cyprus, the Czech Republic, Denmark, Djibouti, Dominica, the Dominican Republic, East Timor, Ecuador, Egypt, El Salvador, Equatorial Guinea, Eritrea, Estonia, Ethiopia, Fiji, Finland, France, French Guiana, Gabon, Gambia, Georgia, Germany, Ghana, Gibraltar, Greece, Grenada, Guadeloupe, Guatemala, Guinea, Guinea-Bissau, Guyana, Haiti, Honduras, Hong Kong, Hungary, Iceland, India, Ireland, Israel, Italy, the Ivory Coast, Jamaica, Jordan, Kazakhstan, Kenya, Kiribati, Kyrgyzstan, Laos, Latvia, Lebanon, Lesotho, Liberia, Liechtenstein, Lithuania, Luxembourg, Macedonia, Madagascar, Malawi, Malaysia, the Maldives, Mali, Malta, the Marshall Islands, Martinique, Mauritania, Mauritius, Mexico, Micronesia, Monaco, Mongolia, Montenegro, Morocco, Mozambique, Namibia, Nauru, Nepal, the Nether Antilles, the Netherlands, New Zealand, Nicaragua, Niger, Nigeria, Norway, Oman, Pakistan, Palau, Panama, Papua New Guinea, Paraguay, Peru, the Philippines, Poland, Portugal, the Republic of Moldova, Romania, Russia, Rwanda, Samoa, San Marino, Sao Tome and Principe, Saudi Arabia, Senegal, Serbia, the Seychelles, Sierra Leone, Singapore, Slovakia, Slovenia, the Solomon Islands, Somalia, South Africa, South Korea, Spain, Sri Lanka, St. Kitts and Nevis, St. Lucia, St. Vincent and the Grenadines, Suriname, Swaziland, Sweden, Switzerland, Taiwan, Tajikistan, Tanzania, Togo, Tonga, Trinidad and Tobago, Tunisia, Turkey, Turkmenistan, Tuvalu, Uganda, Ukraine, the United Arab Emirates, the United Kingdom, Uruguay, Uzbekistan, Vanuatu, Venezuela, Vietnam, Yemen, Zaire, Zambia, and Zimbabwe</li> </ul>	487330-002
Broadcom 802.11a/b/g WLAN modules:	
For use only on HP Compaq 6735s Notebook PC models	
<ul style="list-style-type: none"> <li>For use in Canada, the Cayman Islands, Guam, Puerto Rico, the U.S. Virgin Islands, and the United States</li> </ul>	441075-001
<ul style="list-style-type: none"> <li>For use in Afghanistan, Albania, Algeria, Andorra, Angola, Antigua and Barbuda, Argentina, Armenia, Aruba, Australia, Austria, Azerbaijan, the Bahamas, Bahrain, Bangladesh, Barbados, Belarus, Belgium, Belize, Benin, Bermuda, Bhutan, Bolivia, Bosnia and Herzegovina, Botswana, Brazil, the British Virgin Islands, Brunei, Bulgaria, Burkina Faso, Burundi, Cameroon, Cape Verde, the Central African Republic, Chad, Chile, the People's Republic of China, Colombia, Comoros, the Congo, Costa Rica, Croatia, Cyprus, the Czech Republic, Denmark, Djibouti, Dominica, the Dominican Republic, East Timor, Ecuador, Egypt, El Salvador, Equatorial Guinea, Eritrea, Estonia, Ethiopia, Fiji, Finland, France, French Guiana, Gabon, Gambia, Georgia, Germany, Ghana, Gibraltar, Greece, Grenada, Guadeloupe, Guatemala, Guinea, Guinea-Bissa, Guyana, Haiti, Honduras, Hong Kong, Hungary, Iceland, India, Ireland, Israel, Italy, the Ivory Coast, Jamaica, Jordan, Kazakhstan, Kenya, Kiribati, Kyrgyzstan, Laos, Latvia, Lebanon, Lesotho, Liberia, Liechtenstein, Lithuania, Luxembourg, Macedonia, Madagascar, Malawi, Malaysia, the Maldives, Mali, Malta, the Marshall Islands, Martinique, Mauritania, Mauritius, Mexico, Micronesia, Monaco, Mongolia, Montenegro, Morocco, Mozambique, Namibia, Nauru, Nepal, the Nether Antilles, the Netherlands, New Zealand, Nicaragua, Niger, Nigeria, Norway, Oman, Pakistan, Palau, Panama, Papua New Guinea, Paraguay, Peru, the Philippines, Poland, Portugal, the Republic of Moldova, Romania, Russia, Rwanda, Samoa, San Marino, Sao Tome &amp; Principe, Saudi Arabia, Senegal, Serbia and Montenegro, the Seychelles, Sierra Leone, Singapore, Slovakia, Slovenia, the Solomon Islands, Somalia, South Africa, South Korea, Spain, Sri Lanka, St. Kitts &amp; Nevis, St. Lucia, St. Vincent &amp; Grenada, Suriname, Swaziland, Sweden, Switzerland, Taiwan, Tajikistan, Tanzania, Togo, Tonga, Trinidad and Tobago, Tunisia, Turkey, Turkmenistan, Tuvalu, Uganda, Ukraine, the United Arab Emirates, the United Kingdom, Uruguay, Uzbekistan, Vanuatu, Venezuela, Vietnam, Yemen, Zaire, Zambia, and Zimbabwe</li> </ul>	441075-002
<ul style="list-style-type: none"> <li>For use in Japan</li> </ul>	441075-291

Before removing the WLAN module, follow these steps:


1. Shut down the computer. If you are unsure whether the computer is off or in Hibernation, turn the computer on, and then shut it down through the operating system.
2. Disconnect all external devices connected to the computer.
3. Disconnect the power from the computer by first unplugging the power cord from the AC outlet and then unplugging the AC adapter from the computer.
4. Remove the battery (see [Battery on page 50](#)).

Remove the WLAN module:

1. Position the computer with the front toward you.
2. Loosen the Phillips PM2.5×6.0 captive screw (1) that secures the WLAN module compartment cover to the computer.
3. Lift the right side of the WLAN module compartment cover (2), swing it to the left, and remove the cover. The WLAN module compartment cover is included in the Plastics Kit, spare part numbers 491253-001 (for use only with HP Compaq 6730s Notebook PC models) and 491616-001 (for use only with HP Compaq 6735s Notebook PC models).




4. Disconnect the WLAN antenna cables (1) from the terminals on the WLAN module.

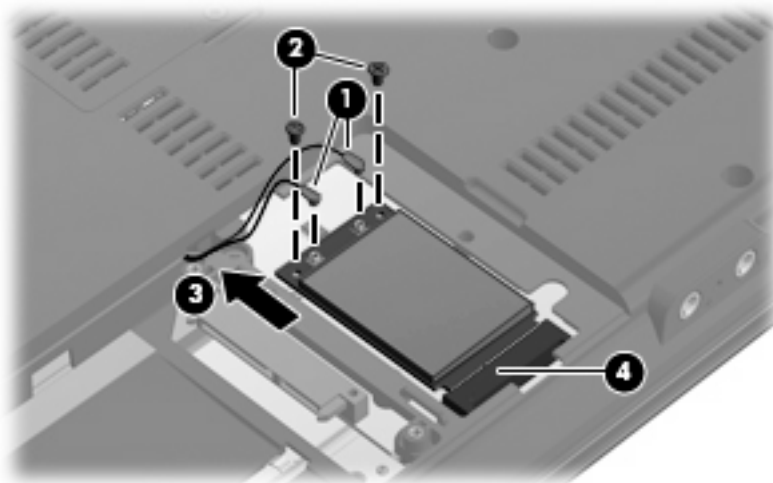
 **NOTE:** The black WLAN antenna cable is connected to the WLAN module “Main” terminal. The white WLAN antenna cable is connected to the WLAN module “Aux” terminal.

5. Remove the two Phillips PM2.5×4.0 screws (2) that secure the WLAN module to the computer. (The edge of the module opposite the slot rises away from the computer.)



6. Remove the WLAN module (3) by pulling the module away from the slot at an angle.

 **NOTE:** WLAN modules are designed with a notch (4) to prevent incorrect insertion.



Reverse this procedure to install the WLAN module.

## Memory module

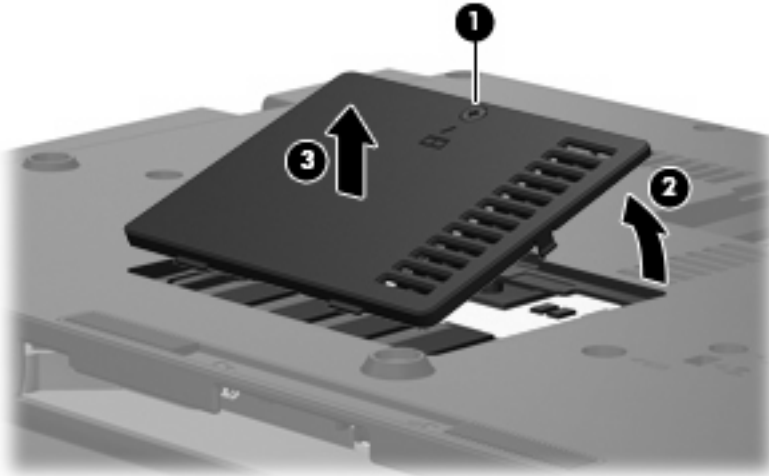
Description	Spare part number
<b>For use only with HP Compaq 6730s Notebook PC models</b>	
2-GB (PC2-6400, 800-MHz, DDR2)	491479-001
1-GB (PC2-6400,800-MHz, DDR2)	491477-001
2-GB (PC2-5300, 667-MHz, DDR2)	491478-001
1-GB (PC2-5300, 667-MHz, DDR2)	491476-001
<b>For use only with HP Compaq 6735s Notebook PC models</b>	
2048-MB (PC2-6400, 800-MHz, DDR2)	491595-001
1024-MB (PC2-6400, 800-MHz, DDR2)	491594-001
2048-MB (PC2-5300, 667-MHz, DDR2)	491592-001
1024-MB (PC2-5300, 667-MHz, DDR2)	491591-001

Before removing the memory module, follow these steps:


1. Shut down the computer. If you are unsure whether the computer is off or in Hibernation, turn the computer on, and then shut it down through the operating system.
2. Disconnect all external devices connected to the computer.
3. Disconnect the power from the computer by first unplugging the power cord from the AC outlet and then unplugging the AC adapter from the computer.
4. Remove the battery (see [Battery on page 50](#)).

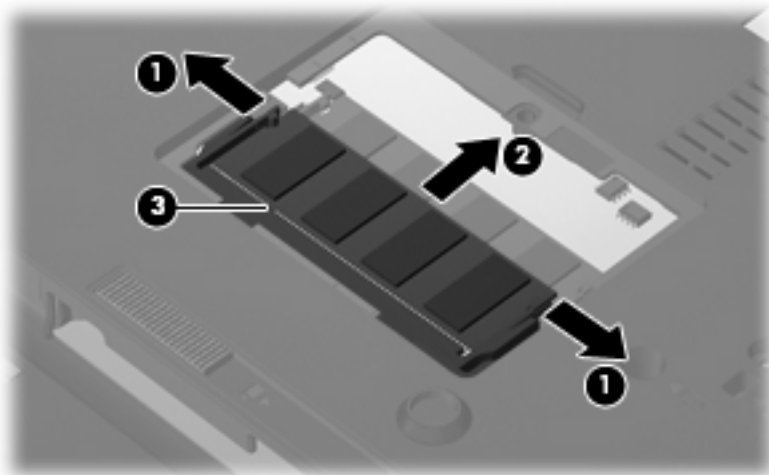
Remove the memory module:

1. Loosen the Phillips PM2.0×6.0 captive screw (1) that secures the memory module compartment cover to the computer.
2. Lift the front edge of the cover (2), swing it up and back, and remove the cover. The memory module compartment cover is included in the Plastics Kit, spare part numbers 491253-001 (for use only with HP Compaq 6730s Notebook PC models) and 491616-001 (for use only with HP Compaq 6735s Notebook PC models).




3. Spread the retaining tabs (1) on each side of the memory module slot to release the memory module. (The edge of the module opposite the slot rises away from the computer.)
4. Remove the memory module (2) by pulling the module away from the slot at an angle.

 **NOTE:** Memory modules are designed with a notch (3) to prevent incorrect insertion into the memory module slot.



Reverse this procedure to install a memory module.

## Optical drive

 **NOTE:** All optical drive spare part kits include an optical drive bezel.

Description	Spare part number
<b>For use only with HP Compaq 6730s Notebook PC models</b>	
DVD±RW Double-Layer Drive with LightScribe	491272-001
Blu-ray Disc ROM Drive with SuperMulti DVD±R/RW Double-Layer	491273-001
DVD/CD-RW Combo Drive	491271-001
DVD-ROM Drive	491270-001
<b>For use only with HP Compaq 6735s Notebook PC models</b>	
DVD±RW SuperMulti Double-Layer Drive with LightScribe	491601-001
DVD/CD-RW Combo Drive	491600-001
DVD-ROM Drive	491599-001

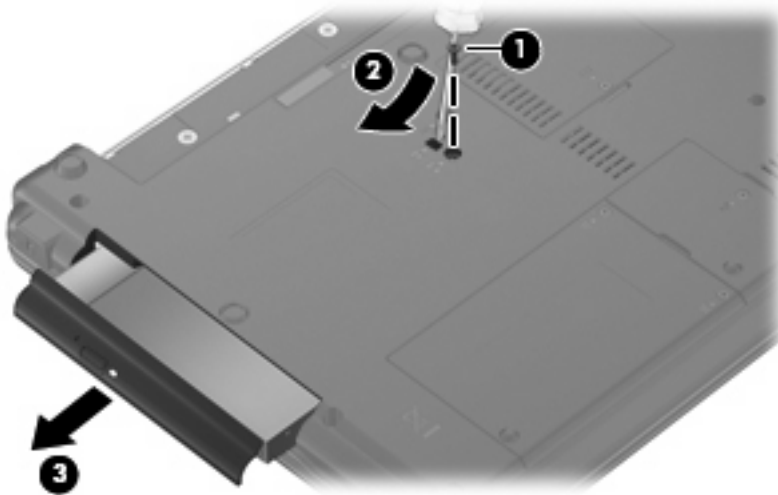
Before removing the optical drive, follow these steps:

1. Shut down the computer. If you are unsure whether the computer is off or in Hibernation, turn the computer on, and then shut it down through the operating system.
2. Disconnect all external devices connected to the computer.
3. Disconnect the power from the computer by first unplugging the power cord from the AC outlet and then unplugging the AC adapter from the computer.
4. Remove the battery (see [Battery on page 50](#)).

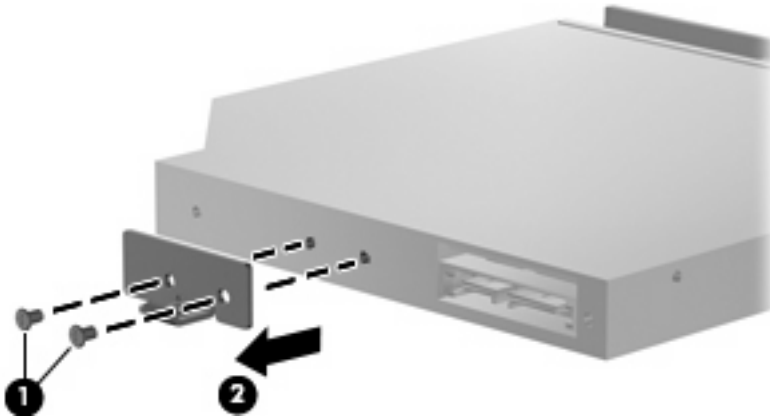
Remove the optical drive:

1. Position the computer with the right side toward you.
2. Remove the slotted Torx T8M2.5×7.0 screw **(1)** that secures the optical drive to the computer.
3. Insert a flat-bladed screwdriver or similar tool into the optical drive tab access **(2)** and press the tab to the left to release the optical drive from the computer.

4. Remove the optical drive **(3)** from the computer.



5. If it is necessary to replace the optical drive bracket, position the optical drive with the rear toward you.
6. Remove the two Phillips PM2.0×3.0 screws **(1)** that secure the optical drive bracket to the optical drive.
7. Remove the optical drive bracket **(2)**.



Reverse this procedure to reassemble and install an optical drive.

## Switch cover and keyboard

Description		Spare part number	
<b>Switch covers (includes LED button board and cable)</b>			
For use only with HP Compaq 6730s Notebook PC models		491288-001	
For use only with HP Compaq 6735s Notebook PC models		494115-001	
<b>Keyboards for use only with HP Compaq 6730s Notebook PC models</b>			
Belgium	491274-201	Latin America	491274-161
For International use	491274-B31	Norway	491274-091
The Czech Republic	491274-	Portugal	491274-131
Denmark	491274-081	Russia	491274-251
France	491274-051	Saudi Arabia	491274-171
French Canada	491274-121	Slovakia	491274-231
Finland	491274-B71	Slovenia	491274-BA1
Germany	491274-041	Spain	491274-071
Greece	491274-DJ1	Switzerland	491274-BG1
Hungary	491274-211	Thailand	491274-281
Iceland	491274-DD1	Turkey	491274-141
Israel	491274-BB1	Taiwan	491274-AB1
Italy	491274-061	United Kingdom	491274-031
Japan	491274-291	United States	491274-001
South Korea	491274-AD1		
<b>Keyboards for use only with HP Compaq 6735s Notebook PC models</b>			
Belgium	491603-A41	South Korea	491603-AD1
Brazil	491603-201	Latin America	491603-161
Czech Republic	491603-221	Norway	491603-091
Denmark	491603-081	Portugal	491603-131
Finland	491603-B71	Russia	491603-251
France	491603-051	Saudi Arabia	491603-171
French Canada	491603-121	Slovakia	491603-231
Germany	491603-041	Slovenia	491603-BA1
Greece	491603-151	Spain	491603-071
Hungary	491603-211	Switzerland	491603-BG1
Iceland	491603-DD1	Thailand	491603-281
Israel	491603-BB1	Taiwan	491603-AB1
Italy	491603-061	Turkey	491603-141

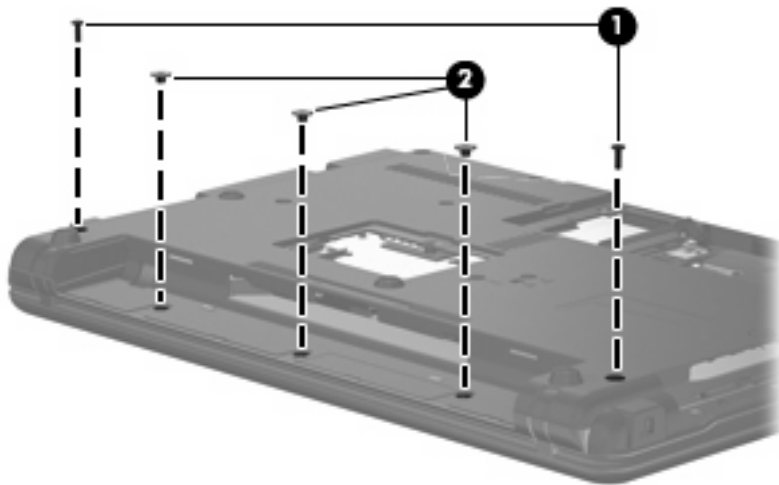
Description		Spare part number	
International use	491603-B31	United Kingdom	491603-031
Japan	491603-291	United States	491603-001

Before removing the switch cover and keyboard, follow these steps:

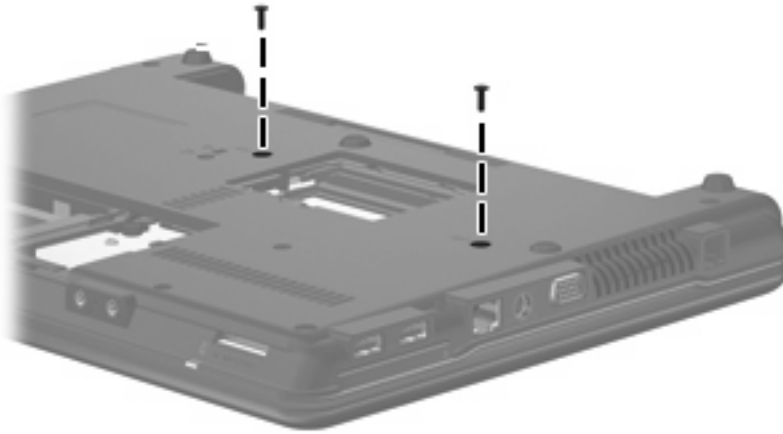
1. Shut down the computer. If you are unsure whether the computer is off or in Hibernation, turn the computer on, and then shut it down through the operating system.
2. Disconnect all external devices connected to the computer.
3. Disconnect the power from the computer by first unplugging the power cord from the AC outlet and then unplugging the AC adapter from the computer.
4. Remove the battery (see [Battery on page 50](#)).

Remove the switch cover and keyboard:

1. Remove the following screws:
  - (1) Two slotted Torx T8M2.5×7.0 screws
  - (2) Three Torx T8M2.0×2.0 broadhead screws



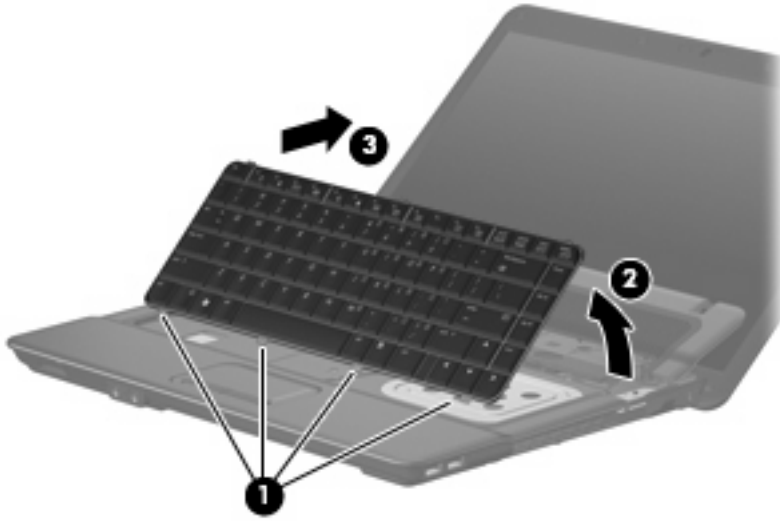
2. Remove the two slotted Torx T8M2.5×7.0 screws that secure the keyboard to the computer.



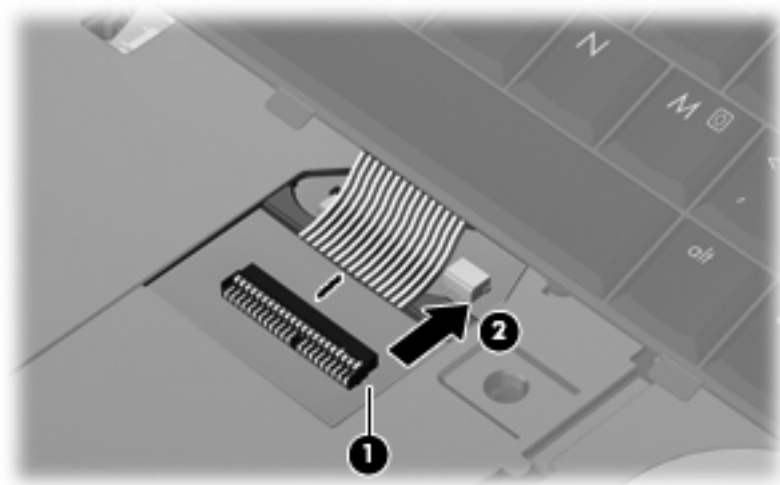
3. Turn the computer display-side up, with the front toward you.
4. Open the computer as far as possible.
5. Lift the switch cover (1) up and forward until it disengages from the computer, and slide it back (2) until it rests on the display assembly.



6. To disengage the four tabs (1) on the front of the keyboard from the computer, lift up the rear edge of the keyboard (2) until it rests at an angle, and then slide it back (3) until it rests on the display assembly and switch cover.



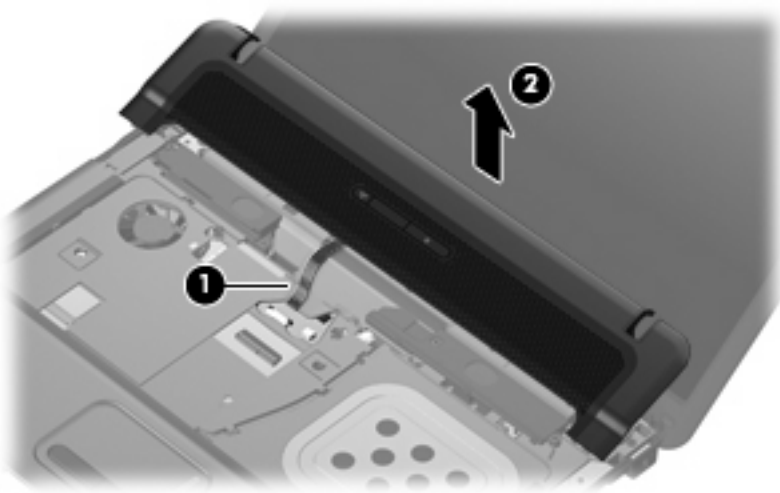
7. Release the zero insertion force (ZIF) connector (1) to which the keyboard cable is attached, and disconnect the keyboard cable (2) from the system board.



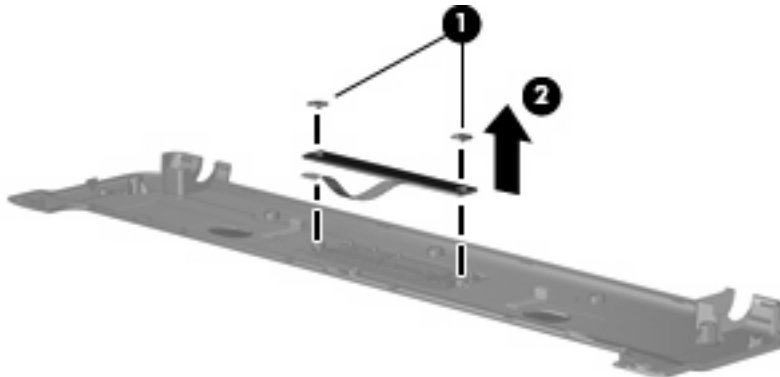
8. Remove the keyboard.



9. Disconnect the button board cable (1) from the system board, and remove the switch cover (2).



10. Turn the switch cover over.
11. Remove the two Phillips PM2.0x2.0 broadhead screws (1) from the switch cover.
12. Remove the LED power button board (2) from the switch cover.



Reverse this procedure to install the switch cover and keyboard.

## Speakers


Description	Spare part number
For use only with HP Compaq 6730s Notebook PC models	491277-001
For use only with HP Compaq 6735s Notebook PC models	491612-001

Before removing the speaker, follow these steps:

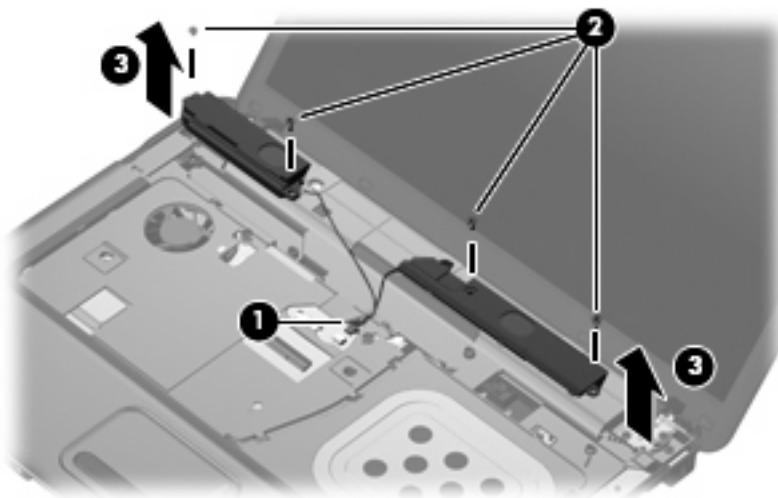
1. Shut down the computer. If you are unsure whether the computer is off or in Hibernation, turn the computer on, and then shut it down through the operating system.
2. Disconnect all external devices connected to the computer.
3. Disconnect the power from the computer by first unplugging the power cord from the AC outlet and then unplugging the AC adapter from the computer.
4. Remove the battery (see [Battery on page 50](#)).
5. Remove the switch cover and keyboard (see [Switch cover and keyboard on page 61](#)).

Remove the speakers:

1. Disconnect the speaker cable (1) from the system board and remove the speaker cable from the clips and routing channel.


 **NOTE:** The two speakers are connected with a single cable.

2. Remove the four Phillips PM2.5×4.0 screws (2) that secure the speakers to the top cover.
3. Remove the speakers (3) from the top cover.



Reverse this procedure to install the speakers.

## Display assembly

 **NOTE:** All display assembly spare part kits include 2 WLAN antenna transceivers and cables.

Description	Spare part number
<b>For use only with HP Compaq 6730s Notebook PC models</b>	
15.4-inch WXGA BrightView display assembly for use in all countries and regions except Brazil on computer models equipped with a webcam	491264-001
15.4-inch WXGA BrightView display assembly for use in all countries and regions except Brazil on computer models not equipped with a webcam	491262-001
15.4-inch WXGA display assembly for use in all countries and regions except Brazil on computer models equipped with a webcam	491263-001
15.4-inch WXGA display assembly for use in all countries and regions except Brazil on computer models not equipped with a webcam	491261-001
<b>For use only with HP Compaq 6735s Notebook PC models</b>	
15.4-inch WXGA BrightView display assembly for use in all countries and regions except Brazil on computer models not equipped with a webcam	491587-001
15.4-inch WXGA display assembly for use in all countries and regions except Brazil on computer models not equipped with a webcam	491584-001
15.4-inch WXGA display assembly for use on computer models not equipped with a webcam (for use only in Brazil)	491585-001
15.4-inch WXGA display assembly for use on computer models equipped with a webcam (for use only in Brazil)	491586-001
15.4-inch WXGA BrightView display assembly for use on computer models not equipped with a webcam (for use only in Brazil)	491588-001
15.4-inch, WXGA BrightView display assembly for use on computer models equipped with a webcam (for use only in Brazil)	491589-001

Before removing the display assembly, follow these steps:

1. Shut down the computer. If you are unsure whether the computer is off or in Hibernation, turn the computer on, and then shut it down through the operating system.
2. Disconnect all external devices connected to the computer.
3. Disconnect the power from the computer by first unplugging the power cord from the AC outlet and then unplugging the AC adapter from the computer.
4. Remove the battery (see [Battery on page 50](#)).
5. Remove the following components:
  - a. Switch cover and keyboard (see [Switch cover and keyboard on page 61](#))
  - b. Speakers (see [Speakers on page 66](#))

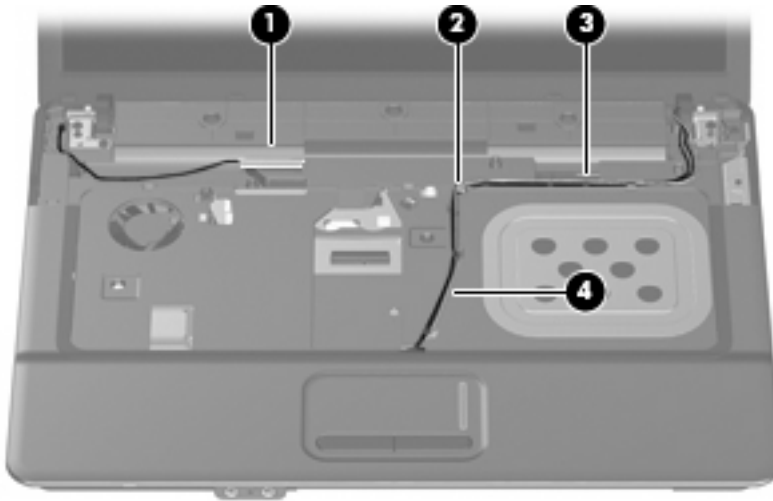
Remove the display cable:

1. Turn the computer right-side up, with the front toward you.
2. Open the computer as far as possible.
3. Disconnect the display panel cable (1) from the system board.  

---

**CAUTION:** There is a ground loop off the display panel cable that is secured to the left hinge. Be sure you do not pull or damage the cable.

---
4. Disconnect the camera and microphone module cables (2) from the system board, and then remove the cables from the routing path (3).
5. Remove the wireless antenna cables (4) from the clips and routing channels built into the top cover.



Remove the display assembly:

1. Remove the four slotted Torx T8M2.5×7.0 screws (1) that secure the display assembly to the computer.  

---

**CAUTION:** The display assembly will be unsupported when the following screws are removed. To prevent damage to the display assembly, support it before removing the screws.

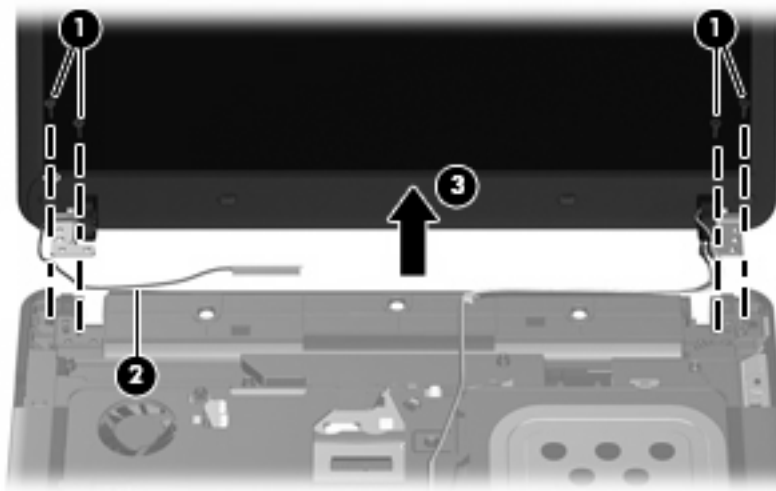
---
1. Remove the four slotted Torx T8M2.5×7.0 screws (1) that secure the display assembly to the computer.  

---

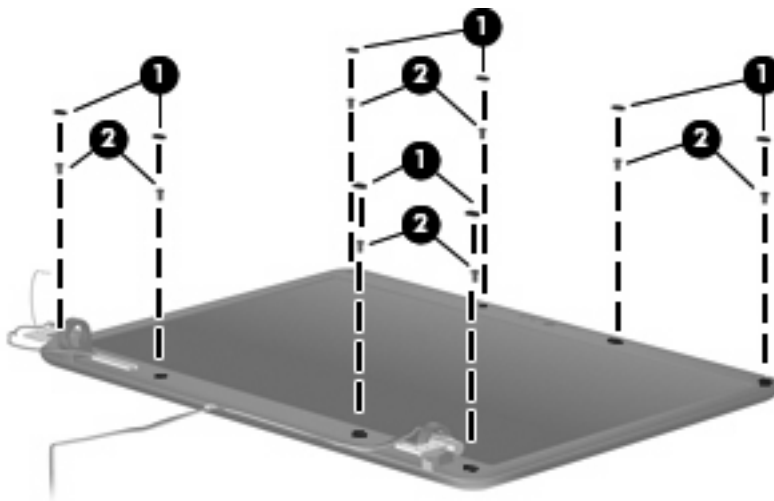
**CAUTION:** There is a ground loop off the display panel cable (2) that is secured to the left hinge. Be sure you do not pull or damage the cable.

---

2. Lift the display assembly (3) straight up and remove it.

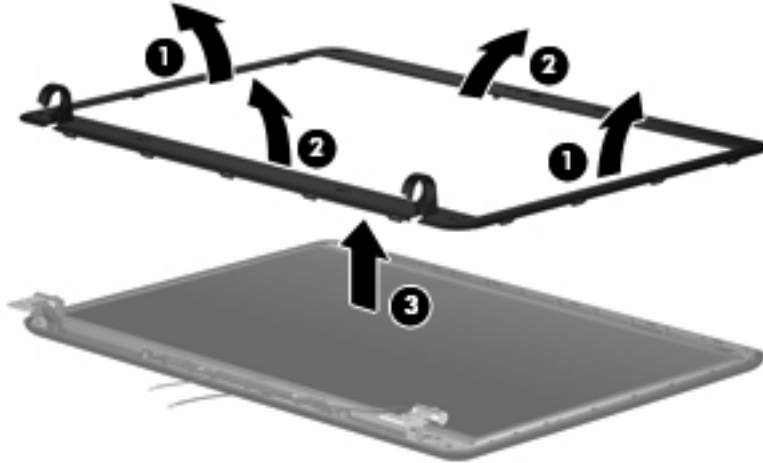


3. If it is necessary to replace the display bezel, display inverter, or display hinges, remove the eight rubber screw covers (1) and the eight Torx T8M2.5×6.0 screws (2) that secure the display bezel to the display assembly. The rubber screw covers are available in the Rubber Kit, spare part numbers 491257-001 (for use only with HP Compaq 6730s Notebook PC models) and 491620-001 (for use only with HP Compaq 6735s Notebook PC models).

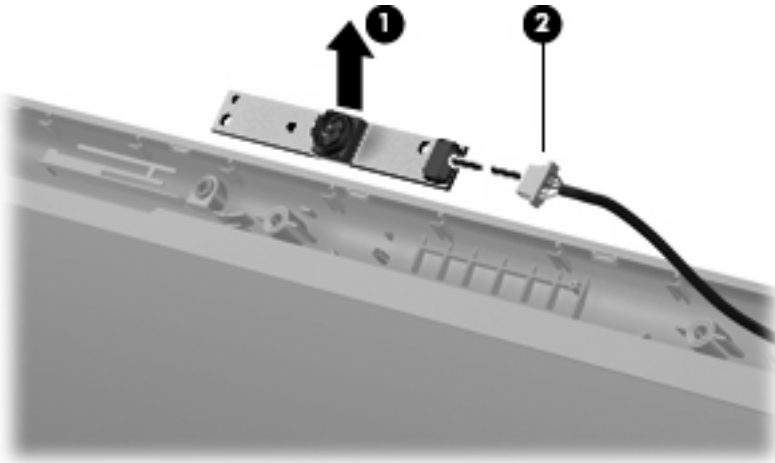



4. Flex the inside edges of the left and right sides (1) and the top and bottom sides (2) of the display bezel until the bezel disengages from the display enclosure.

5. Remove the display bezel (3). The display bezel is available using spare part numbers 491257-001 (for use only with HP Compaq 6730s Notebook PC models without a webcam), 491258-001 (for use only with HP Compaq 6730s Notebook PC models with a webcam), 494109-001 (for use only with HP Compaq 6735s Notebook PC models with a webcam), and 494108-001 (for use only with HP Compaq 6735s Notebook PC models without a webcam).



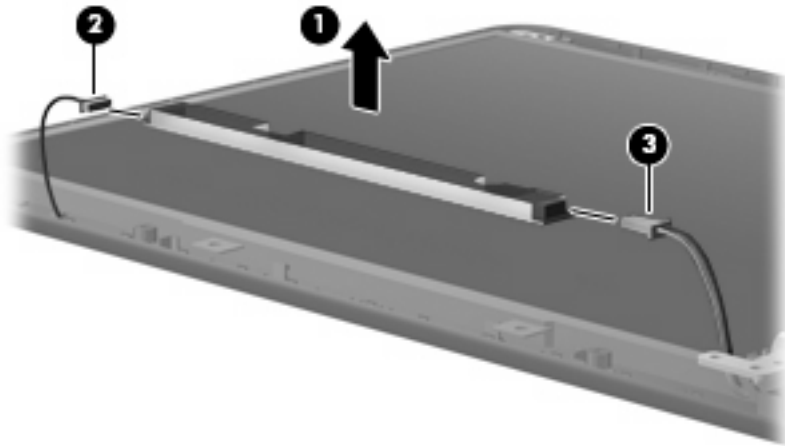
6. If it is necessary to replace the webcam module from the display enclosure, gently pull the webcam module away from the double-sided tape on the display enclosure (1) and disconnect the webcam cable from the module (2). The webcam module can be ordered by using spare part numbers 491251-001 (for use only with HP Compaq 6730s Notebook PC models) and 494110-001 (for use only with HP Compaq 6735s Notebook PC models).



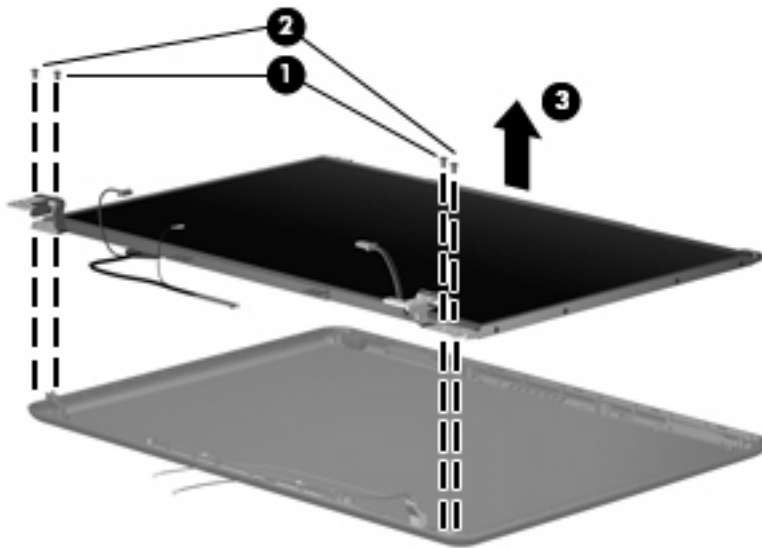
 **NOTE:** To replace the webcam module in the display enclosure, align the holes on the webcam module with the pins on the display enclosure and press onto the double-sided tape.

7. If it is necessary to replace the display inverter, remove the inverter (1) from the display enclosure as far as the display panel cable and the backlight cable will allow.


8. Disconnect the display panel cable (2) and the backlight cable (3) from the display inverter.



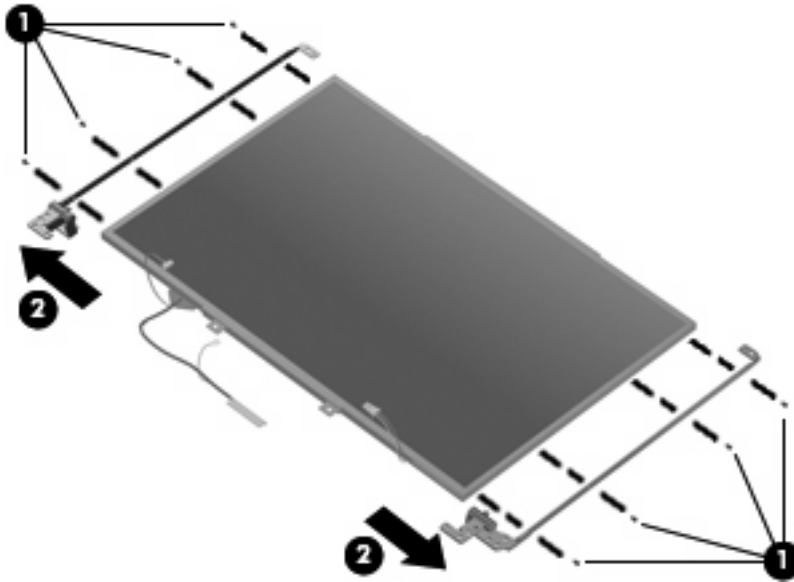
9. Remove the display inverter. The display inverter is available using spare part numbers 491256-001 (for use only with HP Compaq 6730s Notebook PC models) and 494116-001 (for use only with HP Compaq 6735s Notebook PC models).
10. If it is necessary to replace the display hinges, remove the two Torx T8M2.5×6.0 screws (1) and the two Torx T8M2.5×5.0 screws (2) that secure the display panel to the display enclosure.
11. Remove the display panel (3).



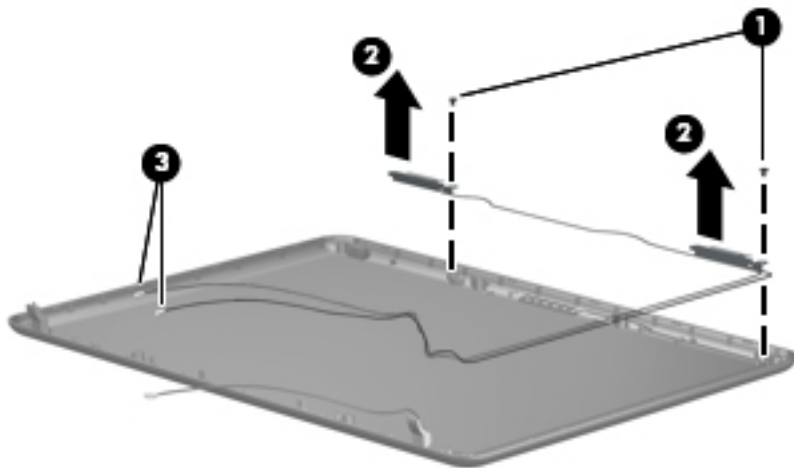
12. Remove the four Phillips PM2.0×3.0 screws (1) that secure each display hinge to the display panel.

 **NOTE:** When removing or replacing the eight Phillips screws, be sure to remove or replace them in the same sequence as the numbering found on the display hinges (1–2–3–4).

13. Remove the display hinges (2). The left and right display hinges are available in the Hinge Kit, spare part numbers 496680-001 (for use only with HP Compaq 6730s Notebook PC models) and 491610-001 (for use only with HP Compaq 6735s Notebook PC models).

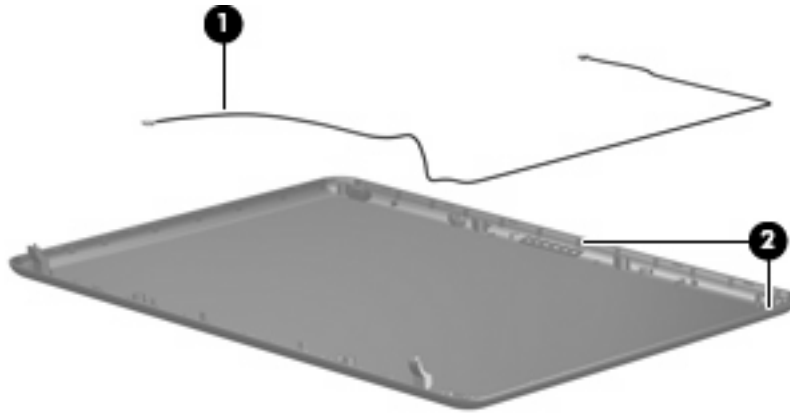


14. If it is necessary to replace the wireless antenna cables, remove the two Torx T8M2.5×4.0 screws (1) that secure the wireless antenna transceiver to the top cover. The wireless antenna cables are included in the Display Cable Kit, spare part numbers 491259-001 (for use only with HP Compaq 6730s Notebook PC models) and 494114-001 (for use only with HP Compaq 6735s Notebook PC models).
15. Remove the wireless antenna (2).
16. Remove the wireless antenna cables (3) from the clips and routing channels built into the top cover.





17. If it is necessary to replace the webcam cable from the display enclosure, gently pull the webcam cables (1) from the clips and routing channels (2) built into the top cover. The webcam cable is included in the Display Cable Kit, spare part numbers 491259-001 (for use only with HP Compaq 6730s Notebook PC models) and 494114-001 (for use only with HP Compaq 6735s Notebook PC models).



Reverse this procedure to reassemble and install the display assembly.

## Top cover

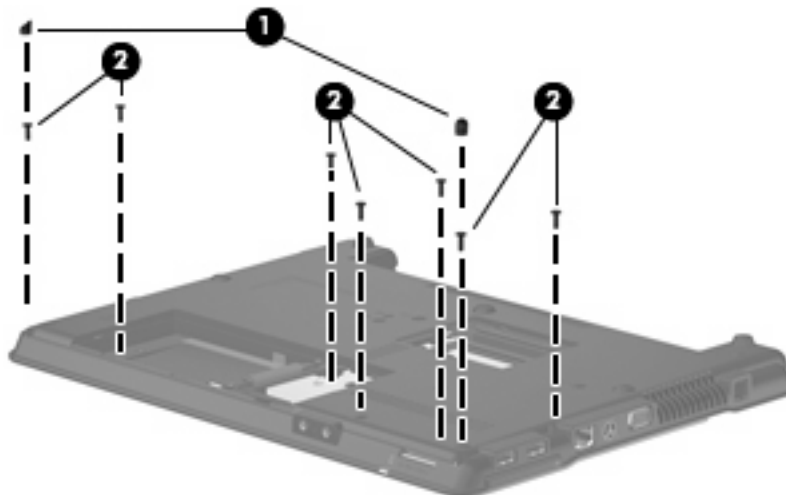
Description	Spare part number
Top cover (includes TouchPad board and cable, and TouchPad button board and cable)	491254-001

Before removing the top cover, follow these steps:

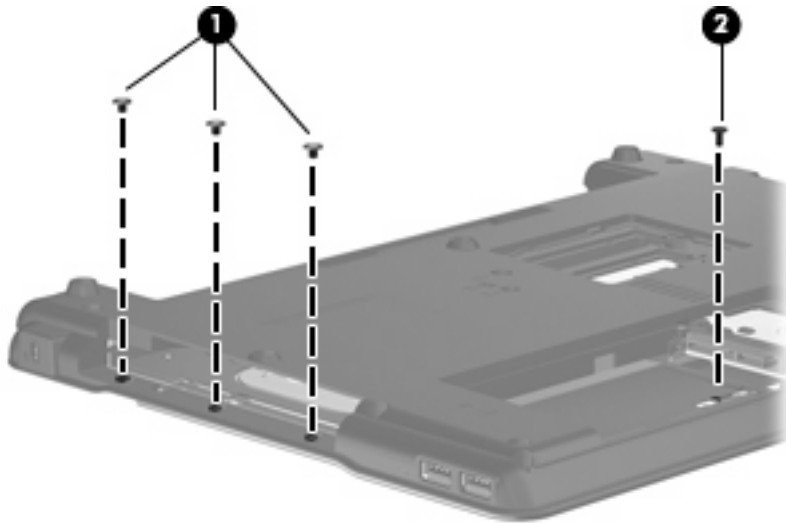
1. Shut down the computer. If you are unsure whether the computer is off or in Hibernation, turn the computer on, and then shut it down through the operating system.
2. Disconnect all external devices connected to the computer.
3. Disconnect the power from the computer by first unplugging the power cord from the AC outlet and then unplugging the AC adapter from the computer.
4. Remove the battery (see [Battery on page 50](#)).
5. Remove the following components:
  - a. Hard drive (see [Hard drive on page 51](#))
  - b. Optical drive (see [Optical drive on page 59](#))
  - c. Switch cover and keyboard (see [Switch cover and keyboard on page 61](#))
  - d. Speakers (see [Speakers on page 66](#))
  - e. Display assembly (see [Display assembly on page 67](#))

Remove the top cover:

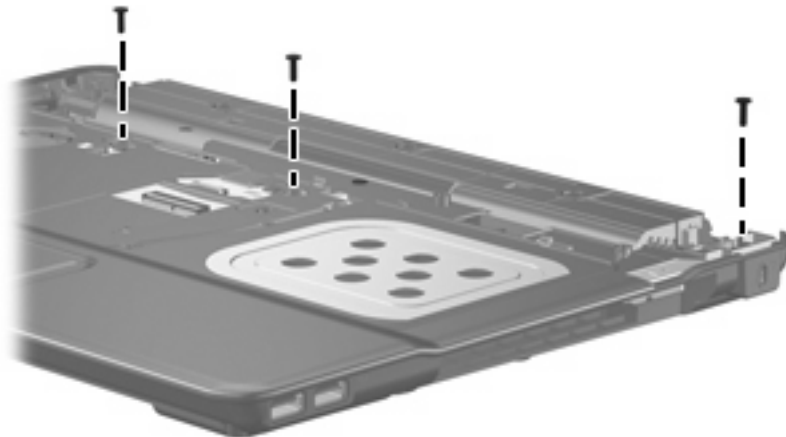
1. Turn the computer upside down, with the front toward you.
2. Remove the two rubber screw covers **(1)** and the seven slotted Torx ST8M2.5×7.0 screws **(2)** that secure the top cover to the computer. The rubber screw covers are available in the Rubber Kit, spare part numbers 491257-001 (for use only with HP Compaq 6730s Notebook PC models) and 491620-001 (for use only with HP Compaq 6735s Notebook PC models).



3. Remove the three Phillips PM2.0×2.0 broadhead (5-mm) screws from the optical drive bay (1), and remove the Torx T8M2.5×4.0 screw from the hard drive bay (2).



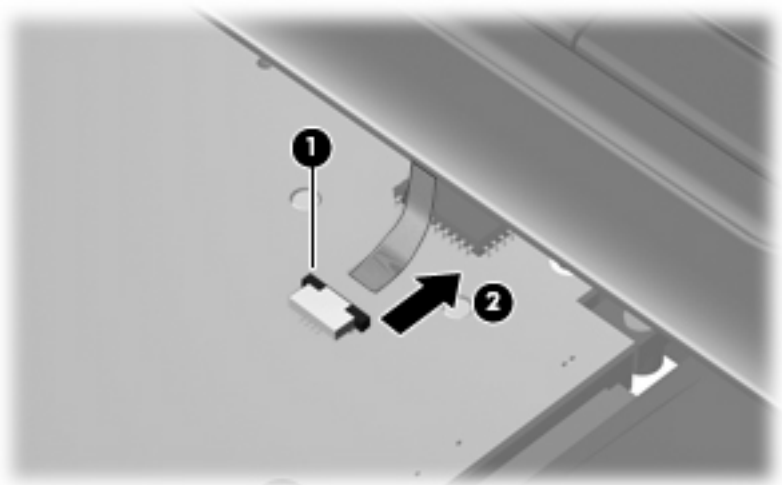
4. Turn the computer right-side up.
5. Remove the three slotted Torx T8M2.5×7.0 screws from the top cover.



6. Lift the rear edge of the top cover (1) until it disengages from the base enclosure, and then slide the top cover (2) back until the TouchPad cable is accessible.



7. Release the ZIF connector (1) to which the TouchPad cable is connected, and then disconnect the TouchPad cable from the system board (2).

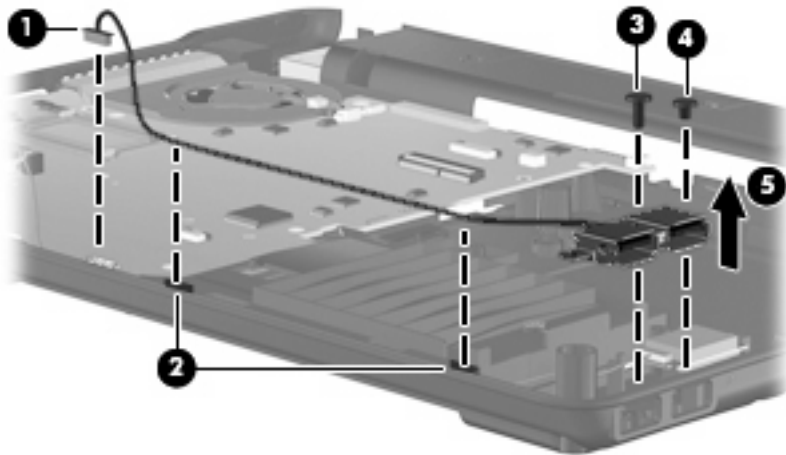


8. Remove the top cover.

Reverse this procedure to install the top cover.


## USB connector module

1. Disconnect the USB cable from the system board (1).
2. Lift up the USB connector and remove the cable from the front edge of the base enclosure (2).
3. Remove the long Phillips PM2.5×9.0 screw (3) and the short Torx T8M2.5×4.0 screw (4) from the system board.
4. Remove the USB connector module (5).



Reverse this procedure to install the USB connector module.

## Bluetooth module

 **NOTE:** The Bluetooth module spare part kit does not include a Bluetooth module cable. The Bluetooth module cable is included in the Cable Kit, spare part number 457400-001. See [Cable Kit on page 29](#) for more Cable Kit spare part number information.

Description	Spare part number
For use in all countries and regions except Japan and Asia Pacific countries and regions	398393-002
For use only in Japan and Asia Pacific countries and regions	450066-001

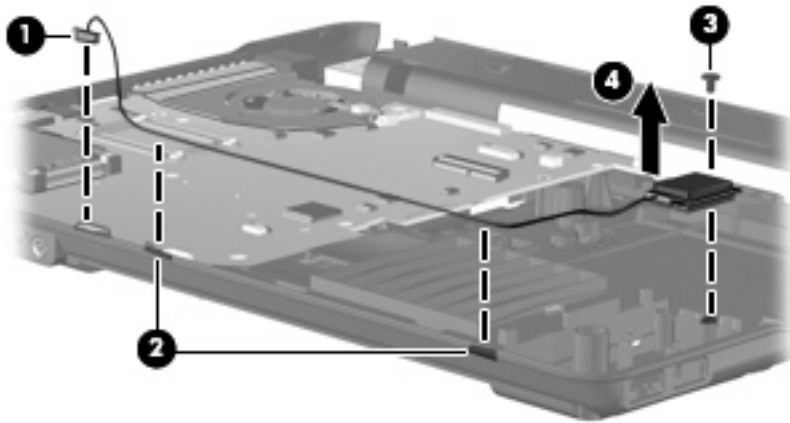
Before removing the Bluetooth module, follow these steps:

1. Shut down the computer. If you are unsure whether the computer is off or in Hibernation, turn the computer on, and then shut it down through the operating system.
2. Disconnect all external devices connected to the computer.
3. Disconnect the power from the computer by first unplugging the power cord from the AC outlet and then unplugging the AC adapter from the computer.
4. Remove the battery (see [Battery on page 50](#)).
5. Remove the following components:
  - a. Hard drive (see [Hard drive on page 51](#))
  - b. Optical drive (see [Optical drive on page 59](#))
  - c. Switch cover and keyboard (see [Switch cover and keyboard on page 61](#))
  - d. Speakers (see [Speakers on page 66](#))
  - e. Display assembly (see [Display assembly on page 67](#))
  - f. Top cover (see [Top cover on page 74](#))

Remove the Bluetooth module:


1. Disconnect the Bluetooth module cable **(1)** from the system board.
2. Remove the Bluetooth module cable **(2)** from the routing path.
3. Remove the Phillips PM2.0×4.0 screw **(3)** that secures the Bluetooth module to the base enclosure.

4. Remove the Bluetooth module (4) from the base enclosure.



Reverse this procedure to install the Bluetooth module.

## RTC battery

 **NOTE:** Removing the RTC battery and leaving it uninstalled for 5 or more minutes causes all passwords and CMOS settings to be cleared.

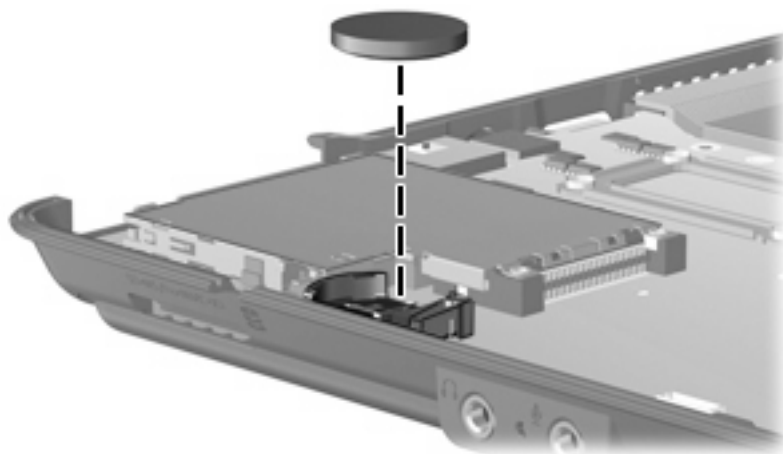
Description	Spare part number
RTC battery	449137-001

Before removing the RTC battery, follow these steps:

1. Shut down the computer. If you are unsure whether the computer is off or in Hibernation, turn the computer on, and then shut it down through the operating system.
2. Disconnect all external devices connected to the computer.
3. Disconnect the power from the computer by first unplugging the power cord from the AC outlet and then unplugging the AC adapter from the computer.
4. Remove the battery (see [Battery on page 50](#)).
5. Remove the following components:
  - a. Hard drive (see [Hard drive on page 51](#))
  - b. Optical drive (see [Optical drive on page 59](#))
  - c. Switch cover and keyboard (see [Switch cover and keyboard on page 61](#))
  - d. Speakers (see [Speakers on page 66](#))
  - e. Display assembly (see [Display assembly on page 67](#))
  - f. Top cover (see [Top cover on page 74](#))

Remove the RTC battery:

1. Turn the system board upside down, with the audio connectors toward you.
2. Remove the RTC battery from the socket on the system board.



Reverse this procedure to install the RTC battery.



# Fan

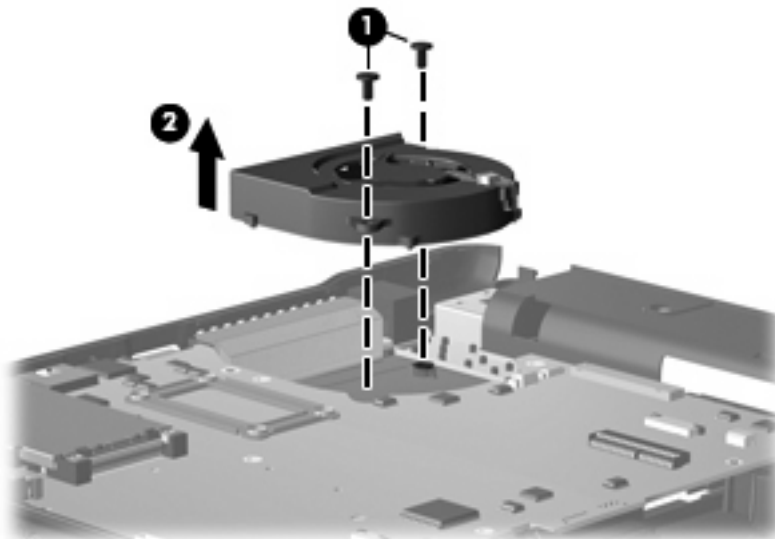
Description	Spare part number
For use only with HP Compaq 6730s Notebook PC models	490324-001
For use only with HP Compaq 6735s Notebook PC models	491621-001

Before removing the fan, follow these steps:


1. Shut down the computer. If you are unsure whether the computer is off or in Hibernation, turn the computer on, and then shut it down through the operating system.
2. Disconnect all external devices connected to the computer.
3. Disconnect the power from the computer by first unplugging the power cord from the AC outlet and then unplugging the AC adapter from the computer.
4. Remove the battery (see [Battery on page 50](#)).
5. Remove the following components:
  - a. Hard drive (see [Hard drive on page 51](#))
  - b. Optical drive (see [Optical drive on page 59](#))
  - c. Switch cover and keyboard (see [Switch cover and keyboard on page 61](#))
  - d. Speakers (see [Speakers on page 66](#))
  - e. Display assembly (see [Display assembly on page 67](#))
  - f. Top cover (see [Top cover on page 74](#))

Remove the fan:

1. Remove the two Torx T8M2.5×6.0 screws (1) that secure the fan to the base enclosure.
2. Lift the fan up (2) from the base enclosure.




Reverse this procedure to install the fan.

 **NOTE:** To properly ventilate the computer, allow at least a 7.6-cm (3-inch) clearance on the left side of the computer.

---

The computer uses an electric fan for ventilation. The fan is controlled by a temperature sensor and is designed to turn on automatically when high temperature conditions exist. These conditions are affected by high external temperatures, system power consumption, power management/battery conservation configurations, battery fast charging, and software requirements. Exhaust air is displaced through the ventilation grill located on the left side of the computer.

## System board

 **NOTE:** The system board spare part kit includes the ExpressCard assembly and replacement thermal material.

Description	Spare part number
For use only with HP Compaq 6730s Notebook PC models	
For use only with computer models equipped with Intel processors (includes 256-MB of discrete graphics subsystem memory)	491976-001
For use only with computer models equipped with Intel processors with UMA graphics subsystem with a GL40 system board	491250-001
For use only with computer models equipped with Intel processors with UMA graphics subsystem and a GL45 system board	501354-001
For use only with HP Compaq 6735s Notebook PC models	
For use only with computer models equipped with AMD processors with UMA graphics subsystem	494106-001

Before removing the system board, follow these steps:

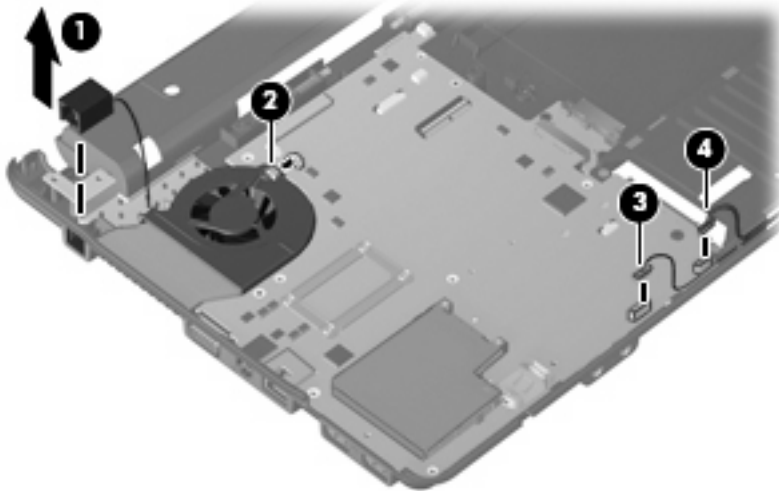
1. Shut down the computer. If you are unsure whether the computer is off or in Hibernation, turn the computer on, and then shut it down through the operating system.
2. Disconnect all external devices connected to the computer.
3. Disconnect the power from the computer by first unplugging the power cord from the AC outlet and then unplugging the AC adapter from the computer.
4. Remove the battery (see [Battery on page 50](#)).
5. Remove the following components:
  - a. Hard drive (see [Hard drive on page 51](#))
  - b. Optical drive (see [Optical drive on page 59](#))
  - c. Switch cover and keyboard (see [Switch cover and keyboard on page 61](#))
  - d. Speakers (see [Speakers on page 66](#))
  - e. Display assembly (see [Display assembly on page 67](#))
  - f. Top cover (see [Top cover on page 74](#))
  - g. USB connector module (see [USB connector module on page 77](#))
  - h. Bluetooth module (see [Bluetooth module on page 78](#))
  - i. Fan (see [Fan on page 81](#))
  - j. RTC battery (see [RTC battery on page 80](#))

When replacing the system board, be sure that the following components are removed from the defective system board and installed on the replacement system board:

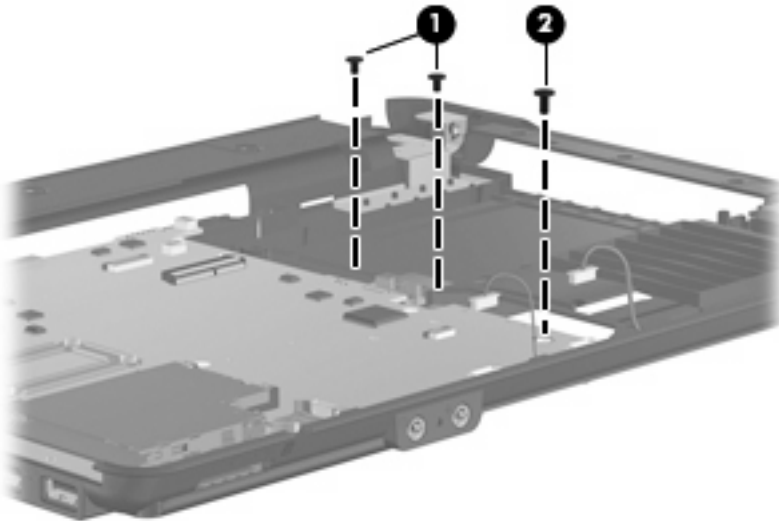
- Memory module (see [Memory module on page 57](#))
- WLAN module (see [WLAN module on page 54](#))
- Processor (see [Processor on page 92](#))

Remove the system board:

1. Disconnect the Bluetooth module cable (1), and the fan cable (2) from the system board.
2. Disconnect the USB connector module cable (3) from the system board, and remove the RJ-11 connector (4) from the base enclosure clip.

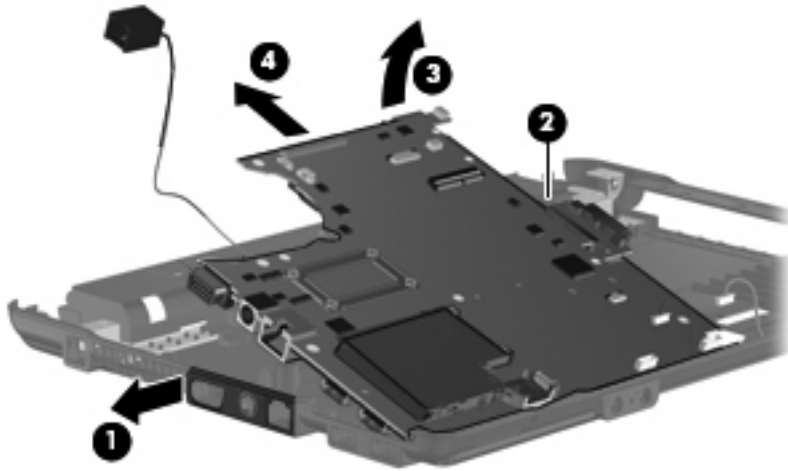


3. Remove the two Phillips 2.0x4.0 screws (1) and the Torx T8M2.5x6.0 screw (2) from the system board.



4. Flex the left side of the base enclosure until the external monitor connector (1) and the heat sink (2) are clear of the openings in the base enclosure.
5. Lift the rear edge of the system board (3) until it rests at an angle.

6. Remove the system board (4) from the base enclosure by sliding it back.



Reverse this procedure to install the system board.

## Modem module

Description	Spare part number
For use in all countries and regions except Australia and New Zealand	461749-001
For use only in Australia and New Zealand	461749-011

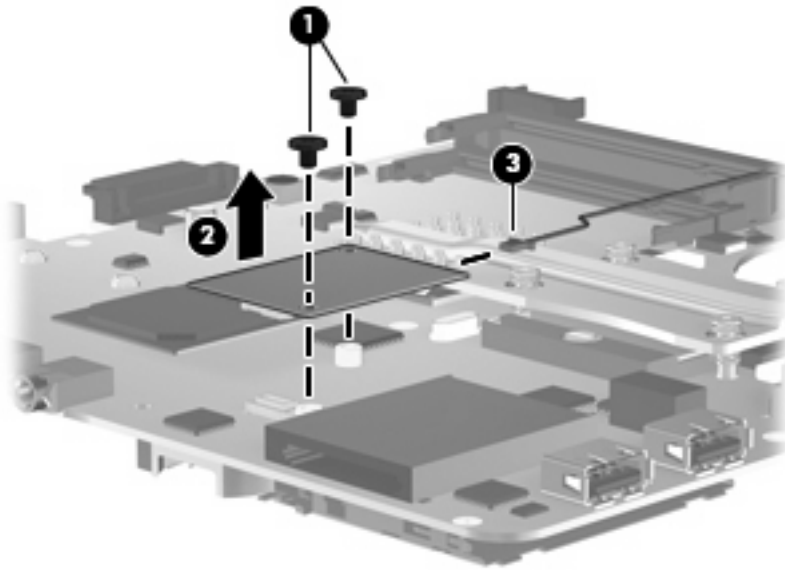
Before removing the modem module, follow these steps:

1. Shut down the computer. If you are unsure whether the computer is off or in Hibernation, turn the computer on, and then shut it down through the operating system.
2. Disconnect all external devices connected to the computer.
3. Disconnect the power from the computer by first unplugging the power cord from the AC outlet and then unplugging the AC adapter from the computer.
4. Remove the battery (see [Battery on page 50](#)).
5. Remove the following components:
  - a. Hard drive (see [Hard drive on page 51](#))
  - b. Optical drive (see [Optical drive on page 59](#))
  - c. Switch cover and keyboard (see [Switch cover and keyboard on page 61](#))
  - d. Speakers (see [Speakers on page 66](#))
  - e. Display assembly (see [Display assembly on page 67](#))
  - f. Top cover (see [Top cover on page 74](#))
  - g. System board (see [System board on page 83](#))

Remove the modem module:

1. Turn the system board upside down, with the audio connectors toward you.
2. Remove the two Phillips PM2.5×4.0 screws **(1)** that secure the modem module to the system board.
3. Lift the modem module **(2)** straight up to disconnect it from the system board.

4. Disconnect the modem module cable (3).



5. Remove the modem module.

Reverse this procedure to install the modem module.

## Heat sink


 **NOTE:** The heat sink spare part kit includes replacement thermal material.

Description	Spare part number
For use only with HP Compaq 6735s Notebook PC models	491613-001
For use only with HP Compaq 6730s Notebook PC models	491979-001
For use only with HP Compaq 6730s Notebook PC models	496679-001

Before removing the heat sink, follow these steps:

1. Shut down the computer. If you are unsure whether the computer is off or in Hibernation, turn the computer on, and then shut it down through the operating system.
2. Disconnect all external devices connected to the computer.
3. Disconnect the power from the computer by first unplugging the power cord from the AC outlet and then unplugging the AC adapter from the computer.
4. Remove the battery (see [Battery on page 50](#)).
5. Remove the following components:
  - a. Hard drive (see [Hard drive on page 51](#))
  - b. Optical drive (see [Optical drive on page 59](#))
  - c. Switch cover and keyboard (see [Switch cover and keyboard on page 61](#))
  - d. Speakers (see [Speakers on page 66](#))
  - e. Display assembly (see [Display assembly on page 67](#))
  - f. Top cover (see [Top cover on page 74](#))
  - g. System board (see [System board on page 83](#))

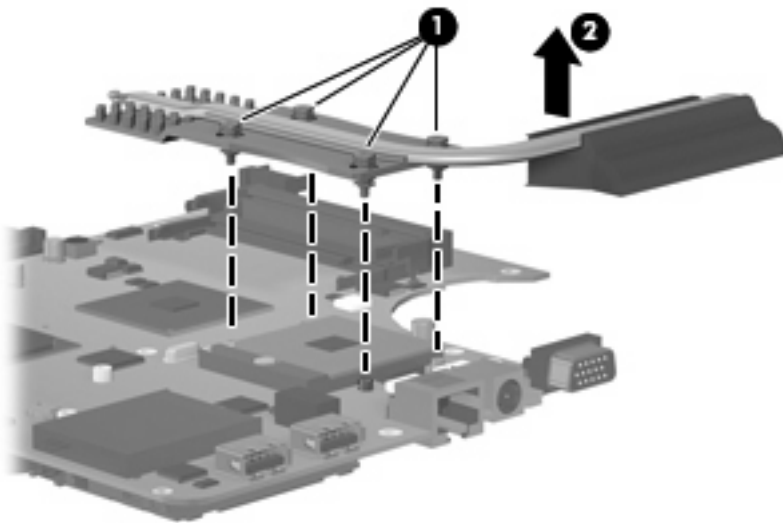
Remove the heat sink:


 **NOTE:** Steps 1 through 3 apply only to HP Compaq 6730s Notebook PC models with discrete subsystem memory on the system board. See steps 4 through 6 for removing the heat sink on HP Compaq 6730s Notebook PC models with Intel processor and UMA subsystem memory. See steps 7 through 9 for removing the heat sink on HP Compaq 6735s Notebook PC models with AMD processor and UMA subsystem memory.

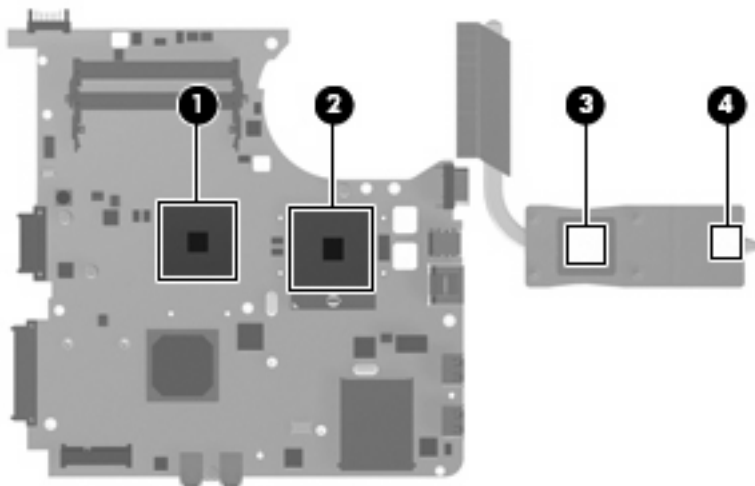
1. Turn the system board upside down, with the audio connectors toward you.
2. Following the 1, 2, 3, 4 sequence stamped into the heat sink, loosen the four screws **(1)** around the processor.




3. Remove the heat sink (2).



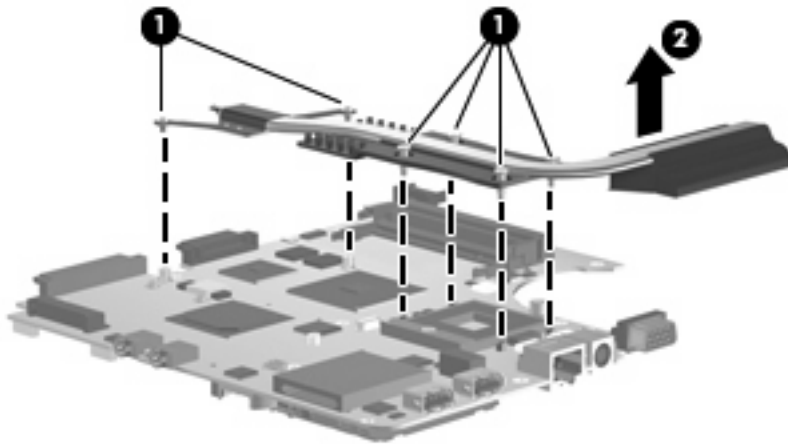
 **NOTE:** The thermal material must be thoroughly cleaned from the surfaces of the system board (1) and (2), and the heat sink components (3) and (4) each time the heat sink is removed. Replacement thermal material is included with all heat sink, system board, and processor spare part kits.



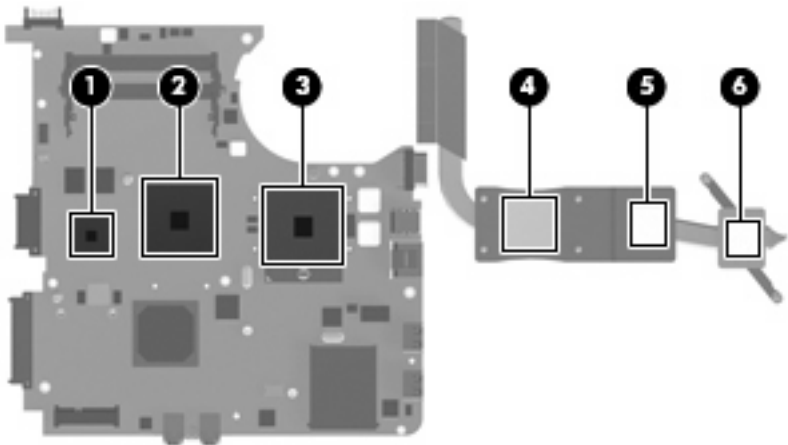
 **NOTE:** Steps 4 through 6 apply only to HP Compaq 6730s Notebook PC models with Intel processors with UMA subsystem memory. See steps 1 through 3 for removing the heat sink on HP Compaq 6730s Notebook PC models with discrete subsystem memory. See steps 7 through 9 for removing the heat sink on HP Compaq 6735s Notebook PC models with AMD processors with UMA subsystem memory.

4. Turn the system board upside down, with the audio connectors toward you.
5. Following the 1, 2, 3, 4 sequence stamped into the heat sink, loosen the six screws (1) around the processor.

6. Remove the heat sink (2).



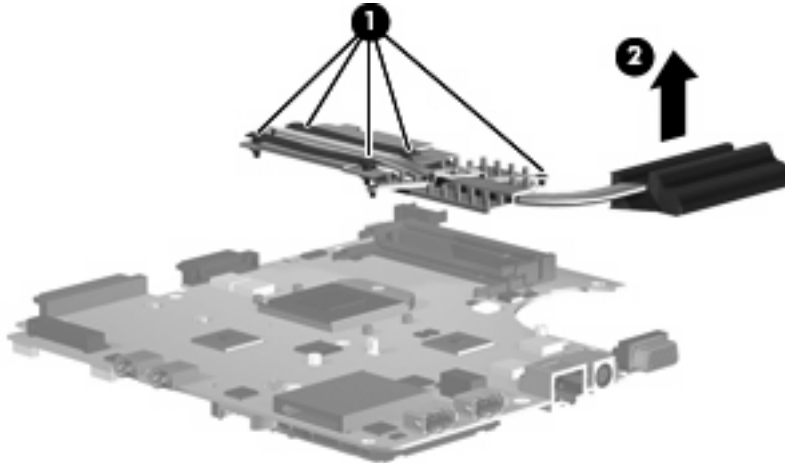
**NOTE:** The thermal material must be thoroughly cleaned from the surfaces of the system board (1), (2), and (3), and the heat sink components (4), (5), and (6) each time the heat sink is removed. Replacement thermal material is included with all heat sink, system board, and processor spare part kits.




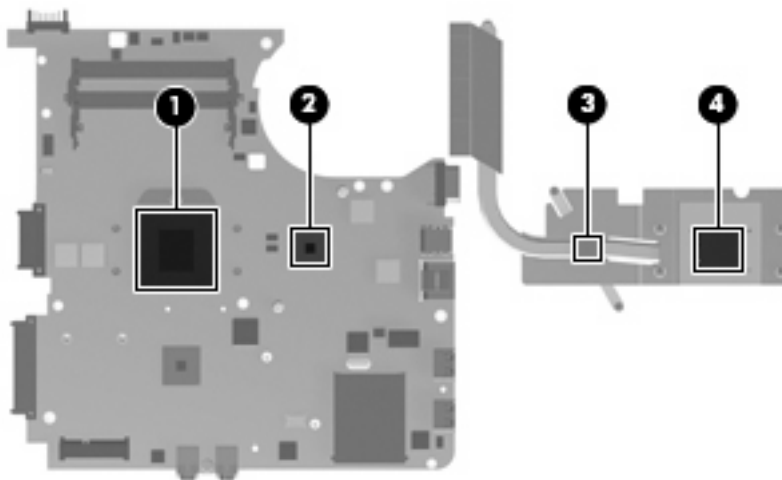
**NOTE:** Steps 7 through 9 apply only to HP Compaq 6735s Notebook PC models with AMD processors and UMA subsystem memory.

7. Turn the system board upside down, with the audio connectors toward you.
8. Following the 1, 2, 3, 4 sequence stamped into the heat sink, loosen the five screws (1) around the processor.

9. Remove the heat sink (2).



 **NOTE:** The thermal material must be thoroughly cleaned from the surfaces of the system board (1) and (2), and the heat sink components (3) and (4) each time the heat sink is removed. Replacement thermal material is included with all heat sink, system board, and processor spare part kits.



Reverse this procedure to install the heat sink.

## Processor

 **NOTE:** All processor spare part kits include replacement thermal material.


Description	Spare part number
<b>AMD processors</b> for use only with HP Compaq 6735s computer models	
Turion Ultra ZM-86 2.40-GHz processor	491583-001
Turion Ultra ZM-84 2.30-GHz processor	506280-001
Turion Ultra ZM-82 2.20-GHz processor	491582-001
Turion Ultra ZM-80 2.10-GHz processor	491581-001
Turion RM-72 2.1GHz (35W 1-MB L2 cache)	506279-001
Turion RM-70 2.0-GHz processor (1-MB L2 cache, 35W)	491580-001
Athlon QL-60 1.9-GHz processor (1-MB L2 cache, 35W)	491579-001
Athlon QL-62 2.0-GHz processor (1-MB L2 cache, 35W)	506278-001
Sempron SI-40 2.00-GHz processor (512-KB L2 cache, 25W)	491587-001
<b>Intel Core2 Duo processors</b> for use only with HP Compaq 6730s computer models	
T5670 1.80-GHz processor (2-MB L2 cache, 800-MHz FSB) (not available for Japan)	496677-001
T5870 2.0-GHz processor (2-MB L2 cache, 800-MHz FSB) (not available for Japan)	496678-001
P7370 2.0-GHz processor (3.0-MB L2 cache, 1066-MHz FSB)	506451-001
P8400 2.26-GHz processor (3-MB L2 cache, 1066-MHz FSB)	491284-001
P8600 2.4-GHz processor (3-MB L2 cache, 1066-MHz FSB)	491285-001
T9400 2.53-GHz processor (6-MB L2 cache, 1066-MHz FSB)	491286-001
<b>Intel Celeron M Processors</b> for use only with HP Compaq 6730s computer models	
575 2.0-GHz processor (1-MB L2 cache, 667-MHz FSB)	491282-001
585 2.16-GHz processor (1-MB L2 cache, 667-MHz FSB)	491283-001
<b>Intel Celeron Dual-Core processors</b> for use only with HP Compaq 6730s computer models	
T1600 1.66-GHz processor (1-MB L2 cache, 667-MHz FSB)	506449-001
T1700 1.83-GHz processor (1-MB L2 cache, 667-MHz FSB)	506450-001

Before removing the processor, follow these steps:


1. Shut down the computer. If you are unsure whether the computer is off or in Hibernation, turn the computer on, and then shut it down through the operating system.
2. Disconnect all external devices connected to the computer.
3. Disconnect the power from the computer by first unplugging the power cord from the AC outlet and then unplugging the AC adapter from the computer.
4. Remove the battery (see [Battery on page 50](#)).
5. Remove the following components:

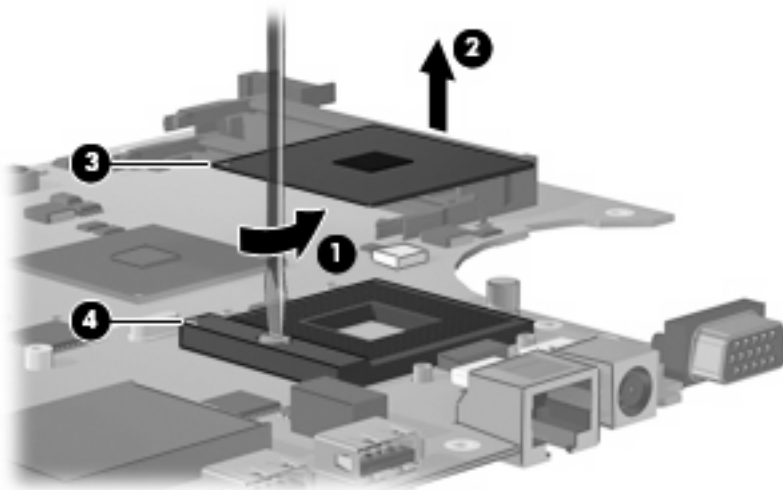
- a. Hard drive (see [Hard drive on page 51](#))
- b. Optical drive (see [Optical drive on page 59](#))
- c. Switch cover and keyboard (see [Switch cover and keyboard on page 61](#))
- d. Speakers (see [Speakers on page 66](#))
- e. Display assembly (see [Display assembly on page 67](#))
- f. Top cover (see [Top cover on page 74](#))
- g. System board (see [System board on page 83](#))


Remove the processor:

 **NOTE:** Steps 1 through 3 apply only to HP Compaq 6730s models. See steps 4 and 5 for instructions on removing the processor on HP Compaq 6735s models.

1. Turn the system board upside down, with the USB connectors toward you.
2. Use a flat-bladed screwdriver to turn the processor locking screw **(1)** one-half turn counterclockwise until you hear a click.
3. Lift the processor **(2)** straight up and remove it.


 **NOTE:** When you install the processor, the gold triangle **(3)** on the processor must be aligned with the triangle **(4)** embossed on the processor socket.

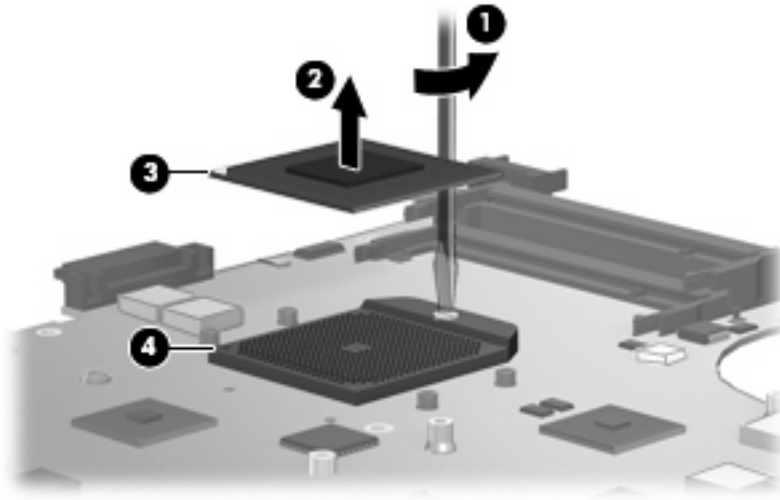


 **NOTE:** Steps 4 and 5 apply only to HP Compaq 6735s models. See steps 1 through 3 for instructions on removing the processor on HP Compaq 6530s and 6531s models.

4. Use a flat-bladed screwdriver to turn the processor locking screw **(1)** one-half turn counterclockwise until you hear a click.

5. Lift the processor (2) straight up and remove it.

 **NOTE:** When you install the processor, the gold triangle (3) on the processor must be aligned with the triangle (4) embossed on the processor socket.



Reverse this procedure to install the processor.


---

# 5 Computer Setup

## Starting Computer Setup

Computer Setup is a preinstalled, ROM-based utility that can be used even when the operating system is not working or will not load.

---

 **NOTE:** Some of the Computer Setup menu items listed in this guide may not be supported by your computer.

**NOTE:** An external keyboard or mouse connected to a USB port can be used with Computer Setup only if USB legacy support is enabled.

---

To start Computer Setup, follow these steps:

1. Turn on or restart the computer, and then press **esc** while the “Press the ESC key for Startup Menu” message is displayed at the bottom of the screen.
2. Press **f10** to enter BIOS Setup.

# Using Computer Setup


## Navigating and selecting in Computer Setup

The information and settings in Computer Setup are accessed from the File, Security, Diagnostics, and System Configuration menus.

To navigate and select in Computer Setup, follow these steps:

1. Turn on or restart the computer, and then press **esc** while the “Press the ESC key for Startup Menu” message is displayed at the bottom of the screen.
  - To select a menu or a menu item, use the tab key and the keyboard arrow keys and then press **enter**, or use a pointing device to click the item.
  - To scroll up and down, click the up arrow or the down arrow in the upper-right corner of the screen, or use the up arrow key or the down arrow key.
  - To close open dialog boxes and return to the main Computer Setup screen, press **esc**, and then follow the on-screen instructions.

---

 **NOTE:** You can use either a pointing device (TouchPad, pointing stick, or USB mouse) or the keyboard to navigate and make selections in Computer Setup.

---

2. Press **f10** to enter BIOS Setup.
3. Select the **File**, **Security**, **Diagnostics**, or **System Configuration** menu.

To exit Computer Setup menus, choose one of the following methods:

- To exit Computer Setup menus without saving your changes, click the **Exit** icon in the lower-left corner of the screen, and then follow the on-screen instructions.

– or –

Use the tab key and the arrow keys to select **File > Ignore changes and exit**, and then press **enter**.

– or –

- To save your changes and exit Computer Setup menus, click the **Save** icon in the lower-left corner of the screen, and then follow the on-screen instructions.


– or –

Use the tab key and the arrow keys to select **File > Save changes and exit**, and then press **enter**.

Your changes go into effect when the computer restarts.

## Restoring factory settings in Computer Setup

---

 **NOTE:** Restoring defaults will not change the hard drive mode.

---



To return all settings in Computer Setup to the values that were set at the factory, follow these steps:


1. Turn on or restart the computer, and then press **esc** while the “Press the ESC key for Startup Menu” message is displayed at the bottom of the screen.
2. Press **f10** to enter BIOS Setup.
3. Use a pointing device or the arrow keys to select **File > Restore defaults**.
4. Follow the on-screen instructions.
5. To save your changes and exit, click the **Save** icon in the lower-left corner of the screen, and then follow the on-screen instructions.

– or –

Use the arrow keys to select **File > Save changes and exit**, and then press **enter**.

Your changes go into effect when the computer restarts.


---

 **NOTE:** Your password settings and security settings are not changed when you restore the factory settings.

---

# Computer Setup menus


The menu tables in this section provide an overview of Computer Setup options.

 **NOTE:** Some of the Computer Setup menu items listed in this chapter may not be supported by your computer.

## File menu

Select	To do this
System Information	<ul style="list-style-type: none"><li>• View identification information for the computer and the batteries in the system.</li><li>• View specification information for the processor, cache and memory size, system ROM, video revision, and keyboard controller version.</li></ul>
Set System Date and Time	Set or change the date and time on the computer.
Restore defaults	Replace the configuration settings in Computer Setup with the original factory settings. (Hard drive mode, password settings, and security settings are not changed when you restore the factory settings.)
Ignore changes and exit	Cancel any changes entered during the current session. Then exit and restart the computer.
Save changes and exit	Save any changes entered during the current session. Then exit and restart the computer. Your changes go into effect when the computer restarts.

## Security menu


 **NOTE:** Some of the menu items listed in this section may not be supported by your computer.

Select	To do this
Setup BIOS Administrator Password	Set up a BIOS administrator password.
User Management (requires a BIOS administrator password)	<ul style="list-style-type: none"><li>• Create a new BIOS user account.</li><li>• View a list of ProtectTools users.</li></ul>
Password Policy (requires a BIOS administrator password)	Revise password policy criteria.
HP SpareKey	Enable/disable HP SpareKey (enabled by default).
Always Prompt for HP SpareKey Enrollment	Enable/disable HP SpareKey enrollment (enabled by default).
Fingerprint Reset on Reboot (If Present)	Reset/clear the fingerprint reader ownership (select models only; disabled by default).
Allow Reset of HP ProtectTools security keys	Enable/disable reset of HP ProtectTools security keys.
Change Password	Enter, change, or delete a BIOS administrator password.
HP SpareKey Enrollment	Enroll or reset HP SpareKey, which is a set of security questions and answers used if you forget your password.
DriveLock Passwords	<ul style="list-style-type: none"><li>• Enable/disable DriveLock on any computer hard drive (enabled by default).</li><li>• Change a DriveLock user password or master password.</li></ul> <p><b>NOTE:</b> DriveLock settings are accessible only when you enter Computer Setup by turning on (not restarting) the computer.</p>
TPM Embedded Security	Enable/disable support for Trusted Platform Module (TPM) Embedded Security, which protects the computer from unauthorized access to owner functions available in Embedded Security for ProtectTools. For more information, refer to the ProtectTools software Help.  <b>NOTE:</b> You must have a setup password to change this setting.
Automatic DriveLock	Enable/disable Automatic DriveLock support.
Disk Sanitizer	Run Disk Sanitizer to destroy all existing data on the primary hard drive or the drive in the upgrade bay.  <b>CAUTION:</b> If you run Disk Sanitizer, the data on the selected drive is destroyed permanently.
System IDs	Enter a user-defined computer asset tracking number and ownership tag.

## Diagnostics menu

Select	To do this
System Diagnostics menu	<ul style="list-style-type: none"><li>• F1 System Information—Displays the following information:<ul style="list-style-type: none"><li>◦ Identification information for the computer and the batteries in the system.</li><li>◦ Specification information for the processor, cache and memory size, system ROM, video revision, and keyboard controller version.</li></ul></li><li>• F2 Start-up Test—Verifies the system components needed for starting the computer.</li><li>• F3 Run-In Test—Runs a comprehensive check on system memory.</li><li>• F4 Hard Disk Test—Runs a comprehensive self-test on any hard drive in the system.</li><li>• F5 Error Log—Displays a log file if any errors have occurred.</li></ul>

## System Configuration menu

 **NOTE:** Some of the listed System Configuration options may not be supported by your computer.

Select	To do this
Language	Change the Computer Setup language.
Boot Options	<ul style="list-style-type: none"><li>• Set a Startup Menu delay (in seconds).</li><li>• Enable/disable Custom Logo (disabled by default).</li><li>• Enable/disable Display Diagnostic URL (enabled by default).</li><li>• Enable/disable CD-ROM boot (enabled by default).</li><li>• Enable/disable SD Card boot (enabled by default).</li><li>• Enable/disable floppy boot (enabled by default).</li><li>• Enable/disable PXE Internal NIC boot (enabled by default).</li><li>• Set the Express Boot Popup delay in seconds.</li><li>• Set the boot order.</li></ul>
Device Configurations	<ul style="list-style-type: none"><li>• Enable/disable USB legacy support (enabled by default). When enabled, USB legacy support allows the following:<ul style="list-style-type: none"><li>◦ Use of a USB keyboard in Computer Setup even when a Windows® operating system is not running.</li><li>◦ Startup from bootable USB devices, including a hard drive, diskette drive, or optical drive connected by a USB port to the computer.</li></ul></li><li>• Select a parallel port mode: ECP (Enhanced Capabilities Port), standard, bidirectional, or EPP (Enhanced Parallel Port).</li><li>• Enable/disable fan always on while connected to an AC outlet (enabled by default).</li><li>• Enable/disable LAN Power Save (select models only). When enabled, saves power by turning off the LAN when not in use (enabled by default).</li><li>• Enable/disable Data Execution Prevention. When enabled, the processor can disable some virus code execution, which helps to improve computer security.</li><li>• SATA (Serial Advanced Technology Attachment) device mode. The following options are available:<ul style="list-style-type: none"><li>◦ AHCI (Advanced Host Controller Interface)</li><li>◦ IDE (Integrated Drive Electronics)</li><li>◦ RAID (select models only)</li></ul></li></ul>

Select	To do this
	<p><b>NOTE:</b> Availability of the options above varies by computer model.</p> <ul style="list-style-type: none"> <li>• Enable/disable secondary battery fast charge (enabled by default).</li> <li>• Enable/disable HP QuickLook 2 (enabled by default).</li> <li>• Enable/disable Virtualization Technology (select models only; disabled by default).</li> <li>• Enable/disable TXT (Intel® Trusted Execution Technology) (select models only; disabled by default).</li> <li>• Enable/disable Dual Core CPU (select models only; enabled by default).</li> <li>• Enable/Disable Unified Extensible Firmware Interface (UEFI) mode (disabled by default).</li> </ul>
Built-In Device Options	<ul style="list-style-type: none"> <li>• Enable/disable the wireless button state (enabled by default).</li> <li>• Enable/disable embedded WWAN device radio (select models only; enabled by default).</li> <li>• Enable/disable embedded Bluetooth® device radio (enabled by default).</li> <li>• Enable/disable the Network Interface Controller (LAN) (enabled by default).</li> <li>• Set the wake on LAN state. Options include the following: <ul style="list-style-type: none"> <li>◦ Disabled</li> <li>◦ Boot to Network (set by default)</li> <li>◦ Follow Boot Order</li> </ul> </li> <li>• Enable/disable the fingerprint device (enabled by default).</li> <li>• Enable/disable a modem device (enabled by default).</li> <li>• Enable/disable the embedded WLAN device (enabled by default).</li> <li>• Enable/disable LAN/WLAN switching (disabled by default).</li> <li>• Enable the ambient light sensor (enabled by default).</li> <li>• Enable/disable the Notebook Multibay device (enabled by default).</li> <li>• Enable/disable the integrated camera (select models only; enabled by default).</li> </ul>

Select	To do this
Port Options (all are enabled by default)	<p><b>NOTE:</b> All port options are enabled by default.</p> <ul style="list-style-type: none"> <li>• Enable/disable the Smart Card slot.</li> <li>• Enable/disable the ExpressCard slot.</li> <li>• Enable/disable the serial port.</li> <li>• Enable/disable the parallel port.</li> <li>• Enable/disable the flash media reader.</li> <li>• Enable/disable the USB port.</li> </ul> <p><b>CAUTION:</b> Disabling the USB port also disables MultiBay devices and ExpressCard devices on the advanced port replicator.</p> <ul style="list-style-type: none"> <li>• Enable/disable the 1394 port.</li> </ul>
AMT Options	<p><b>NOTE:</b> All AMT options are disabled by default.</p> <ul style="list-style-type: none"> <li>• Enable/disable Firmware Verbosity.</li> <li>• Enable/disable AMT Setup Prompt (CTRL-P).</li> <li>• Enable/disable USB Key Provisioning Support.</li> <li>• Enable/disable Unconfigure AMT on Next Boot.</li> <li>• Enable/disable Terminal Emulation Mode</li> <li>• Enable/disable Firmware Progress Event Support.</li> <li>• Enable/disable include TYPE-131 in SMBIOS.</li> </ul>
Set Security Level	Change, view, or hide security levels for all BIOS menu items.
Restore Security Defaults	Restore the default security settings.

# 6 Specifications

## Computer specifications

	Metric	U.S.
<b>Dimensions</b>		
Depth	26.67 cm	10.5 in
Width	35.84 cm	14.1 in
Height (front to rear)	3.23 to 3.58 cm	1.27 to 1.41 in
<b>Weight</b> (equipped with optical drive, WXGA display assembly, 1 memory module, hard drive, and 6-cell battery)	2.49 kg	5.5 lbs
<b>Input power</b>		
Operating voltage	18.5 V dc @ 4.74 A – 90 W	
Operating current	4.74 A	
<b>Temperature</b>		
Operating (not writing to optical disc)	0°C to 35°C	32°F to 95°F
Operating (writing to optical disc)	5°C to 35°C	41°F to 95°F
Nonoperating	-20°C to 60°C	-4°F to 140°F
<b>Relative humidity</b>		
Operating	10% to 90%	
Nonoperating	5% to 95%	
<b>Maximum altitude</b> (unpressurized)		
Operating	-15 m to 3,048 m	-50 ft to 10,000 ft
Nonoperating	-15 m to 12,192 m	-50 ft to 40,000 ft
<b>Shock</b>		
Operating	125 g, 2 ms, half-sine	
Nonoperating	200 g, 2 ms, half-sine	
<b>Random vibration</b>		
Operating	0.75 g zero-to-peak, 10 Hz to 500 Hz, 0.25 oct/min sweep rate	



	Metric	U.S.
Nonoperating	1.50 g zero-to-peak, 10 Hz to 500 Hz, 0.5 oct/min sweep rate	

**NOTE:** Applicable product safety standards specify thermal limits for plastic surfaces. The computer operates well within this range of temperatures.

## 15.4-inch WXGA display specifications

	Metric	U.S.
<b>Dimensions</b>		
Height	20.7 cm	8.1 in
Width	33.1 cm	13.0 in
Diagonal	39.1 cm	15.4 in
<b>Number of colors</b>	Up to 16.8 million	
<b>Contrast ratio</b>	300:1 (typical)	
<b>Brightness</b>	200 nits (typical)	
<b>Pixel resolution</b>		
Pitch	0.259 × 0.259 mm	
Format	1280 × 800	
Configuration	RGB vertical stripe	
<b>Backlight</b>	CCFL	
<b>Character display</b>	80 × 25	
<b>Total power consumption</b>	4.0 W	
<b>Viewing angle</b>	+/-30° horizontal, +10/-40° vertical (typical)	

## Hard drive specifications

	320-GB*	250-GB*	160-GB*	120-GB*
<b>Dimensions</b>				
Height	9.5 mm	9.5 mm	9.5 mm	9.5 mm
Width	70 mm	70 mm	70 mm	70 mm
Weight	101 g	101 g	101 g	101 g
<b>Interface type</b>	SATA	SATA	SATA	SATA
<b>Transfer rate</b>	100 MB/sec	100 MB/sec	100 MB/sec	100 MB/sec
<b>Security</b>	ATA security	ATA security	ATA security	ATA security
<b>Seek times</b> (typical read, including setting)				
Single track	3 ms	3 ms	3 ms	3 ms
Average	13 ms	13 ms	13 ms	13 ms
Maximum	24 ms	24 ms	24 ms	24 ms
<b>Logical blocks</b>	625,141,400	488,376,280	312,560,640	234,420,480
<b>Disc rotational speed</b>	5400 rpm	5400 rpm	7200 rpm and 5400 rpm	7200 rpm and 5400 rpm
<b>Operating temperature</b>	5°C to 55°C (41°F to 131°F)			
*1 GB = 1 billion bytes when referring to hard drive storage capacity. Actual accessible capacity is less. Actual drive specifications may differ slightly.				
<b>NOTE:</b> Certain restrictions and exclusions apply. Contact technical support for details.				

# DVD-ROM Drive specifications

<b>Applicable disc</b>	DVD-ROM (DVD-5, DVD-9, DVD-10, DVD-18, CD-ROM (Mode 1 and 2), CD Digital Audio, CD-XA ready (Mode 2, Form 1 and Form 2), CD-I (Mode 2, Form 1 and Form 2), CD-R, CD-RW, Photo CD (single and multisession), CD-Bridge	
<b>Access time</b>	<b>CD</b>	<b>DVD</b>
Random	< 100 ms	< 125 ms
<b>Cache buffer</b>	512 KB	
<b>Data transfer rate</b>		
CD-R (24X)	3600 KB/s (150 KB/s at 1X CD rate)	
CD-RW (10X)	1500 KB/s (150 KB/s at 1X CD rate)	
CD-ROM (24X)	3600 KB/s (150 KB/s at 1X CD rate)	
DVD (8X)	10,800 KB/s (1,352 KB/s at 1X DVD rate)	
Multiword DMA mode 2	16.6 MB/s	

## DVD±RW Double-Layer Combo Drive specifications

<b>Applicable disc</b>	<b>Read:</b>	<b>Write:</b>
	CD-DA, CD+(E)G, CD-MIDI, CD-TEXT, CD-ROM, CD-ROM XA, MIXED MODE CD, CD-I, CD-I Bridge (Photo-CD, Video CD), Multisession CD (Photo-CD, CD-EXTRA, Portfolio, CD-R, CD-RW), CD-R, CD-RW, DVD-ROM (DVD-5, DVD-9, DVD-10, DVD-18), DVD-R, DVD-RW, DVD+R, DVD+RW, DVD-RAM	CD-R and CD-RW DVD+R, DVD+RW, DVD-R, DVD-RW, DVD-RAM
<b>Access time</b>	<b>CD</b>	<b>DVD</b>
Random	< 175 ms	< 230 ms
<b>Cache buffer</b>	2 MB	
<b>Data transfer rate</b>		
24X CD-ROM	3,600 KB/sec	
8X DVD-ROM	10,800 KB/sec	
24X CD-R	3,600 KB/sec	
16X CD-RW	2,400 KB/sec	
8X DVD+R	10,800 KB/sec	
4X DVD+RW	5,400 KB/sec	
8X DVD-R	10,800 KB/sec	
4X DVD-RW	5,400 KB/sec	
2.4X DVD+R(9)	2,700 KB/sec	
5X DVD-RAM	6,750 KB/sec	
<b>Transfer mode</b>	Multiword DMA Mode	

## DVD±RW SuperMulti Double-Layer Drive specifications

<b>Applicable disc</b>	<b>Read:</b>	<b>Write:</b>
	CD-DA, CD+(E)G, CD-MIDI, CD-TEXT, CD-ROM, CD-ROM XA, MIXED MODE CD, CD-I, CD-I Bridge (Photo-CD, Video CD), Multisession CD (Photo-CD, CD-EXTRA, Portfolio, CD-R, CD-RW), CD-R, CD-RW, DVD-ROM (DVD-5, DVD-9, DVD-10, DVD-18), DVD-R, DVD-RW, DVD+R, DVD+RW, DVD-RAM	CD-R and CD-RW DVD+R, DVD+RW, DVD-R, DVD-RW, DVD-RAM
<b>Access time</b>	<b>CD</b>	<b>DVD</b>
Random	< 175 ms	< 230 ms
<b>Cache buffer</b>	2 MB	
<b>Data transfer rate</b>		
24X CD-ROM	3,600 KB/sec	
8X DVD-ROM	10,800 KB/sec	
24X CD-R	3,600 KB/sec	
16X CD-RW	2,400 KB/sec	
8X DVD+R	10,800 KB/sec	
4X DVD+RW	5,400 KB/sec	
8X DVD-R	10,800 KB/sec	
4X DVD-RW	5,400 KB/sec	
2.4X DVD+R(9)	2,700 KB/sec	
5X DVD-RAM	6,750 KB/sec	
<b>Transfer mode</b>	Multiword DMA Mode	

# Blu-ray Disc ROM Drive with SuperMulti DVD±R/RW Double-Layer specifications

Applicable disc	Read:	Write:	
	CD-DA, CD+(E)G, CD-MIDI, CD-TEXT, CD-ROM, CD-ROM XA, MIXED MODE CD, CD-I, CD-I Bridge (Photo-CD, Video CD), Multisession CD (Photo-CD, CD-EXTRA, Portfolio, CD-R, CD-RW), CD-R, CD-RW, DVD-ROM (DVD-5, DVD-9, DVD-10, DVD-18), DVD-R, DVD-RW, DVD+R, DVD+RW, DVD-RAM, HD-ROM (Single Layer), HD-ROM (Dual Layer), HD DVD-R, HD DVD-R for Dual Layer, HD DVD-RW	CD-R and CD-RW DVD+R, DVD+R(9), DVD+RW, DVD-R, DVD-R(9),DVD-RW, DVD-RAM	
<b>Access time</b>	<b>CD</b>	<b>DVD</b>	<b>HD</b>
Random	170 ms	170 ms	230 ms
<b>Cache buffer</b>	8 MB		
<b>Data transfer rate</b>			
24X CD-ROM	3,600 KB/sec		
8X DVD-ROM	10,800 KB/sec		
24X CD-R	3,600 KB/sec		
16X CD-RW	2,400 KB/sec		
8X DVD+R	10,800 KB/sec		
4X DVD+RW	5,400 KB/sec		
8X DVD-R	10,800 KB/sec		
4X DVD-RW	5,400 KB/sec		
2.4X DVD+R(9)	2,700 KB/sec		
5X DVD-RAM	6,750 KB/sec		
1X BD-ROM	4,500 KB/sec		
1X BD-R read	4,500 KB/sec		
1X BD-RE read	4,500 KB/sec		
<b>Transfer mode</b>	Multiword DMA Mode		

## DVD/CD-RW Combo Drive specifications

<b>Applicable disc</b>	<b>Read:</b>	<b>Write:</b>
	CD-DA, CD+(E)G, CD-MIDI, CD-TEXT, CD-ROM, CD-ROM XA, MIXED MODE CD, CD-I, CD-I Bridge (Photo-CD, Video CD), Multisession CD (Photo-CD, CD-EXTRA, Portfolio, CD-R, CD-RW), CD-R, CD-RW, DVD-ROM (DVD-5, DVD-9, DVD-10, DVD-18), DVD-R, DVD-RW, DVD+R, DVD+RW, DVD-RAM	CD-R and CD-RW
<b>Access time</b>	<b>CD</b>	<b>DVD</b>
Random	< 110 ms	< 130 ms
<b>Cache buffer</b>	2 MB	
<b>Data transfer rate</b>		
24X CD-ROM	3,600 KB/sec	
8X DVD-ROM	3,600 KB/sec	
24X CD-R	3,600 KB/sec	
24X CD-RW	3,600 KB/sec	
<b>Transfer mode</b>	Multiword DMA mode 2	

## System DMA specifications

Hardware DMA	System function
DMA0	Not applicable
DMA1*	Not applicable
DMA2*	Not applicable
DMA3	Not applicable
DMA4	Direct memory access controller
DMA5*	Available for ExpressCard
DMA6	Not assigned
DMA7	Not assigned

\*ExpressCard controller can use DMA 1, 2, or 5.



# System interrupt specifications

Hardware IRQ	System function
IRQ0	System timer
IRQ1	Standard 101-/102-Key or Microsoft Natural Keyboard
IRQ2	Cascaded
IRQ3	Intel 82801DB/DBM USB2 Enhanced Host Controller—24CD
IRQ4	COM1
IRQ5*	Conexant AC—Link Audio Intel 82801DB/DBM SMBus Controller—24C3 Data Fax Modem with SmartCP
IRQ6	Diskette drive
IRQ7*	Parallel port
IRQ8	System CMOS/real-time clock
IRQ9*	Microsoft ACPI-compliant system
IRQ10*	Intel USB UHCI controller—24C2 Intel 82852/82855 GM/GME Graphic Controller Realtek RTL8139 Family PCI Fast Ethernet Controller
IRQ11	Intel USB EHCI controller—24CD Intel USB UHCI controller—24C4 Intel USB UHCI controller—24C7 Intel Pro/Wireless 2200BG TI OHCI 1394 host controller TI PCI1410 CardBus controller
IRQ12	Synaptics PS/2 TouchPad
IRQ13	Numeric data processor
IRQ14	Primary IDE channel
IRQ15	Secondary IDE channel

\*Default configuration; audio possible configurations are IRQ5, IRQ7, IRQ9, IRQ10, or none.

**NOTE:** ExpressCards may assert IRQ3, IRQ4, IRQ5, IRQ7, IRQ9, IRQ10, IRQ11, or IRQ15. Either the infrared or the serial port may assert IRQ3 or IRQ4.

# System I/O address specifications

I/O address (hex)	System function (shipping configuration)
000 - 00F	DMA controller no. 1
010 - 01F	Unused
020 - 021	Interrupt controller no. 1
022 - 024	Opti chipset configuration registers
025 - 03F	Unused
02E - 02F	87334 "Super I/O" configuration for CPU
040 - 05F	Counter/timer registers
044 - 05F	Unused
060	Keyboard controller
061	Port B
062 - 063	Unused
064	Keyboard controller
065 - 06F	Unused
070 - 071	NMI enable/RTC
072 - 07F	Unused
080 - 08F	DMA page registers
090 - 091	Unused
092	Port A
093 - 09F	Unused
0A0 - 0A1	Interrupt controller no. 2
I/O Address (hex)	System Function (shipping configuration)
0A2 - 0BF	Unused
0C0 - 0DF	DMA controller no. 2
0E0 - 0EF	Unused
0F0 - 0F1	Coprocessor busy clear/reset
0F2 - 0FF	Unused
100 - 16F	Unused
170 - 177	Secondary fixed disk controller
178 - 1EF	Unused
1F0 - 1F7	Primary fixed disk controller
1F8 - 200	Unused
201	JoyStick (decoded in ESS1688)
202 - 21F	Unused

I/O address (hex)	System function (shipping configuration)
220 - 22F	Entertainment audio
230 - 26D	Unused
26E - 26	Unused
278 - 27F	Unused
280 - 2AB	Unused
2A0 - 2A7	Unused
2A8 - 2E7	Unused
2E8 - 2EF	Reserved serial port
2F0 - 2F7	Unused
2F8 - 2FF	Infrared port
300 - 31F	Unused
320 - 36F	Unused
370 - 377	Secondary diskette drive controller
378 - 37F	Parallel port (LPT1/default)
380 - 387	Unused
388 - 38B	FM synthesizer—OPL3
38C - 3AF	Unused
3B0 - 3BB	VGA
3BC - 3BF	Reserved (parallel port/no EPP support)
3C0 - 3DF	VGA
3E0 - 3E1	ExpressCard controller in CPU
3E2 - 3E3	Unused
3E8 - 3EF	Internal modem
3F0 - 3F7	"A" diskette controller
3F8 - 3FF	Serial port (COM1/default)
CF8 - CFB	PCI configuration index register (PCIDIVO-1)
CFC - CFF	PCI configuration data register (PCIDIVO-1)

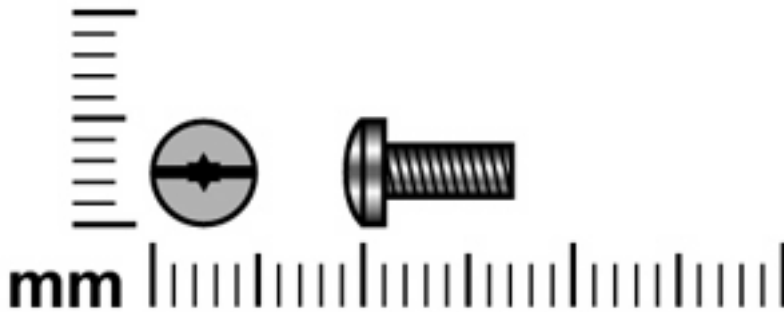
## System memory map specifications

Size	Memory address	System function
640 KB	00000000-0009FFFF	Base memory
128 KB	000A0000-000BFFFF	Video memory
48 KB	000C0000-000CBFFF	Video BIOS
160 KB	000C8000-000E7FFF	Unused
64 KB	000E8000-000FFFFFF	System BIOS
15 MB	00100000-00FFFFFF	Extended memory
58 MB	04800000-07FFFFFF	Super extended memory
58 MB	04800000-07FFFFFF	Unused
2 MB	08000000-08FFFFFF	Video memory (direct access)
4 GB	08200000-FFFFFF	Unused
64 KB	FFFF0000-FFFFFFFF	System BIOS

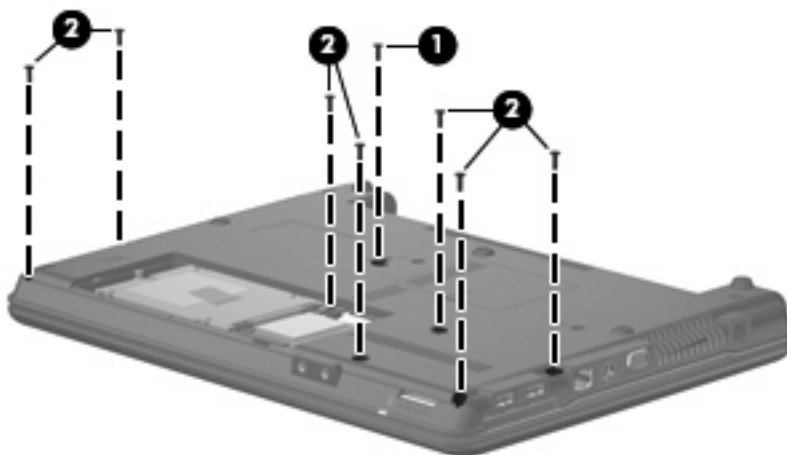
## 7 Screw listing

This chapter provides specification and reference information for the screws and screw locks used in the computer. All screws listed in this section are available in the Screw Kit, spare part numbers 491276-001 (for use only with HP Compaq 6730s Notebook PC models) and 491617-001 (for use only with HP Compaq 6735s Notebook PC models).

### Slotted Torx T8M2.5×7.0 screw

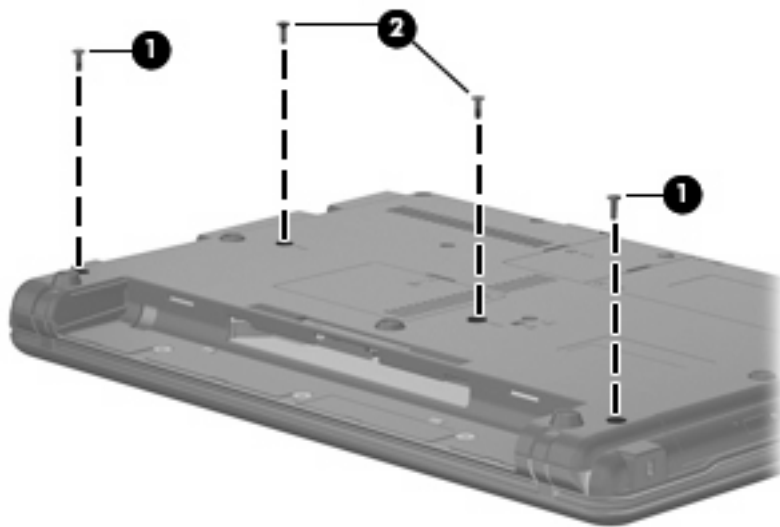


Color	Quantity	Length	Thread	Head diameter
Black	18	7.0 mm	2.5 mm	5.0 mm



#### Where used:

- (1) One screw that secures the optical drive to the computer
- (2) Seven screws that secure the top cover to the computer



**Where used:**

(1) Two screws that secure the switch cover to the computer

(2) Two screws that secure the keyboard to the computer

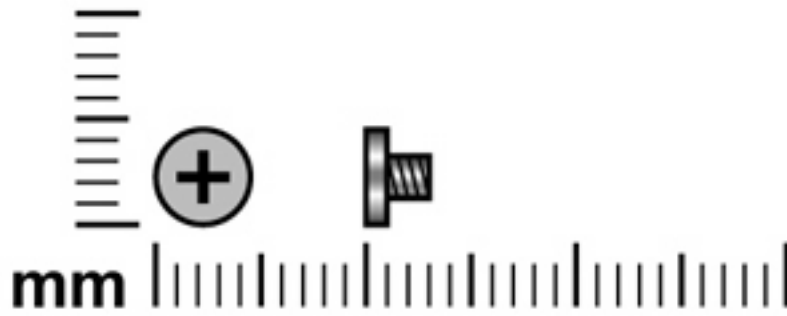


**Where used:** 4 screws that secure the display assembly to the computer



**Where used:** 3 screws that secure the top cover to the base enclosure

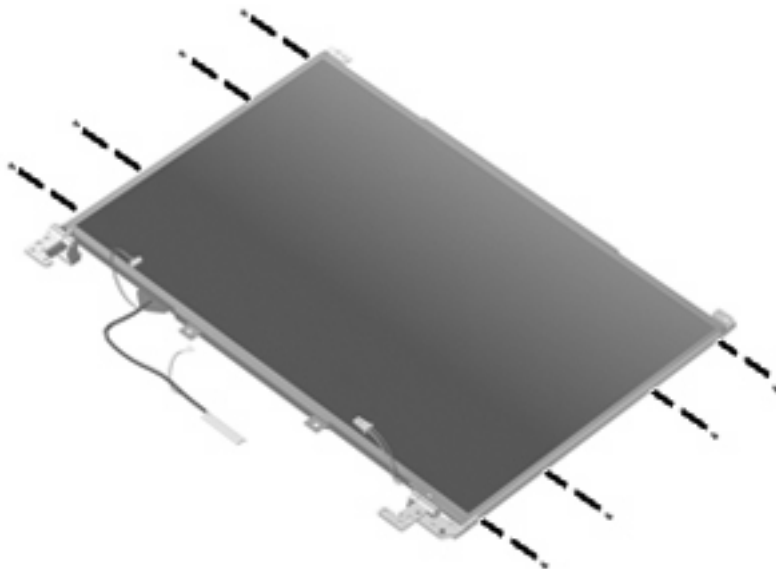
## Phillips PM2.0×3.0 screw



Color	Quantity	Length	Thread	Head diameter
Silver	10	3.0 mm	2.0 mm	5.0 mm



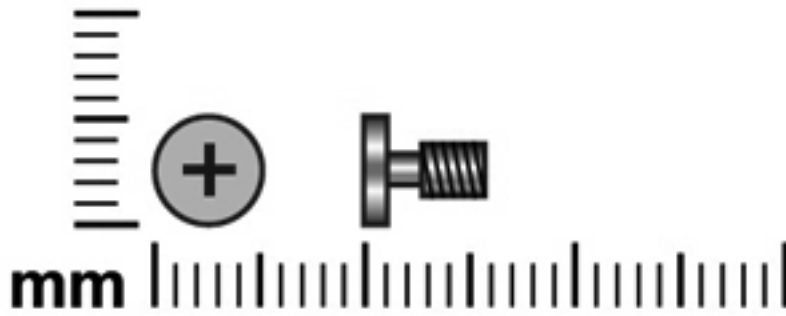
**Where used:** 2 screws that secure the optical drive bracket to the optical drive



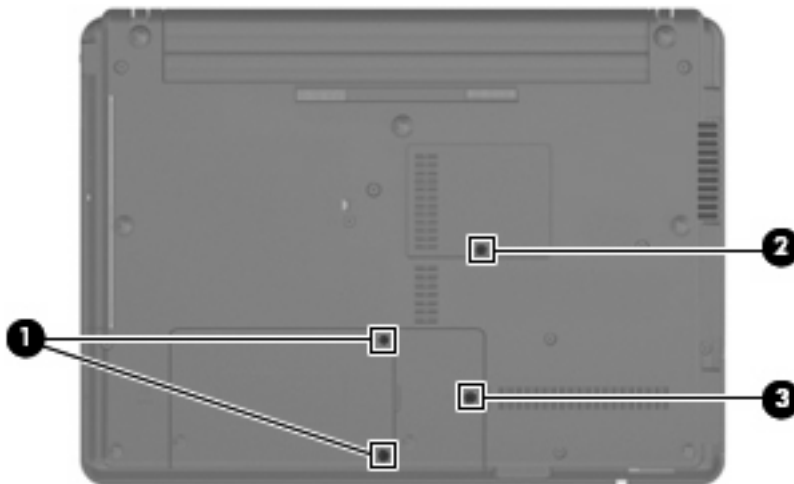
**Where used:** 8 screws that secure the display hinges to the display assembly



## Phillips PM2.5×6.0 captive screw



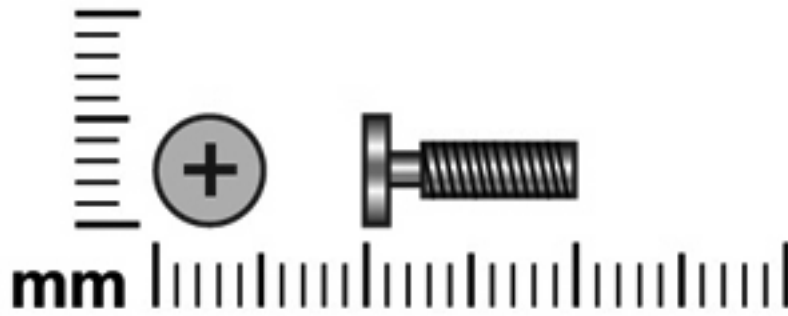
Color	Quantity	Length	Thread	Head diameter
Black	4	6.0 mm	2.5 mm	5.0 mm



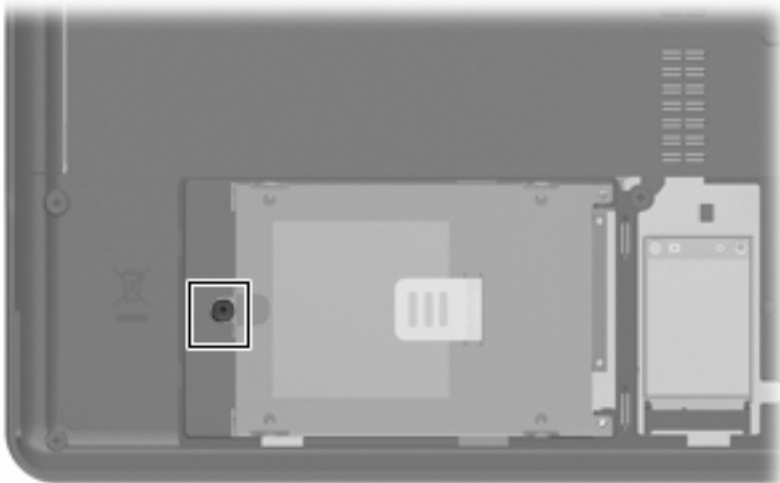
### Where used:

- (1) Two captive screws that secure the hard drive bay cover to the computer (screws are secured by C-clips)
- (2) One captive screw that secures the WLAN module compartment cover to the computer (screw is secured by a C-clip)
- (3) One captive screw that secures the memory module compartment cover to the computer (screw is secured by a C-clip)

## Phillips PM2.5×10.0 captive screw

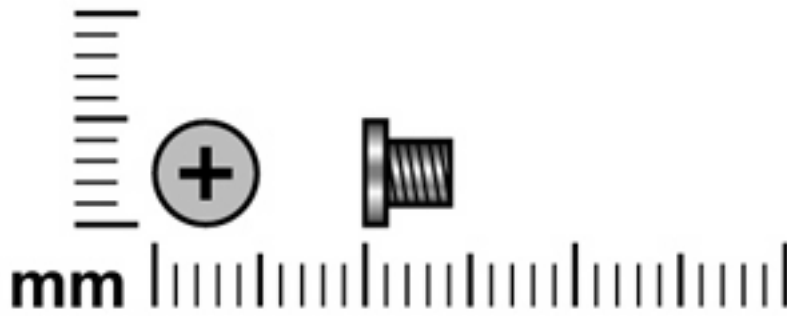


Color	Quantity	Length	Thread	Head diameter
Black	1	10.0 mm	2.5 mm	5.0 mm

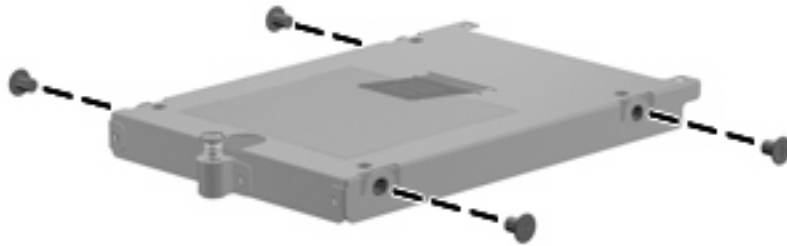


**Where used:** One captive screw that secures the hard drive to the computer (screw is secured to the hard drive bracket)

## Phillips PM3.0×4.0 screw

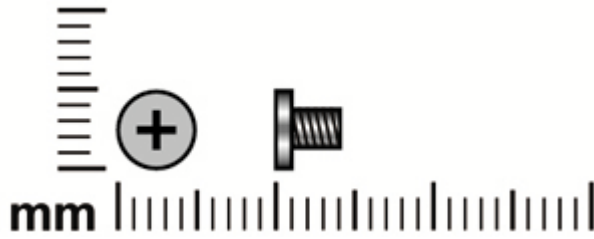


Color	Quantity	Length	Thread	Head diameter
Silver	4	4.0 mm	3.0 mm	5.0 mm

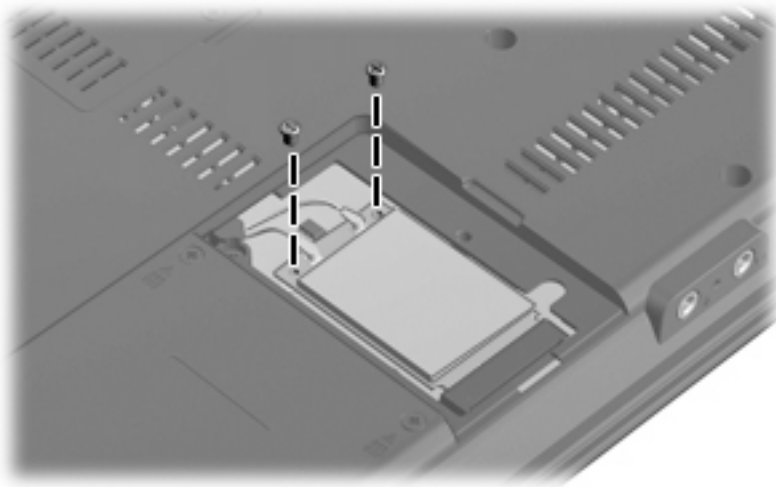


**Where used:** 4 screws that secure the hard drive bracket to the hard drive

## Phillips PM2.5×4.0 screw

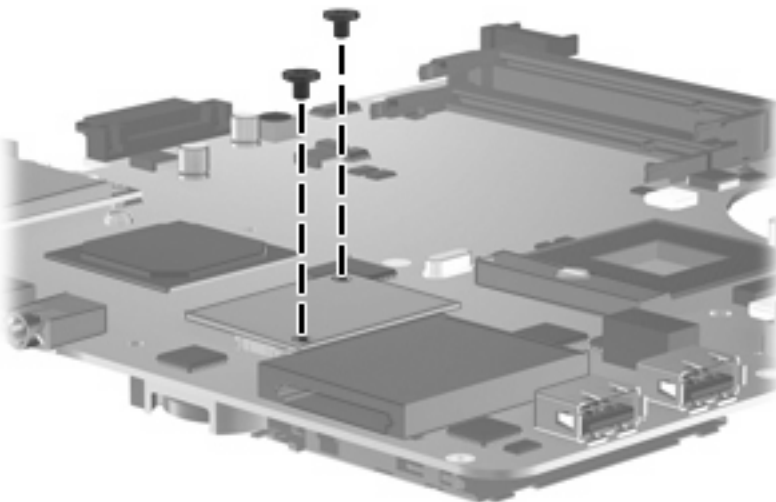


Color	Quantity	Length	Thread	Head diameter
Silver	2	4.0 mm	2.5 mm	5.0 mm



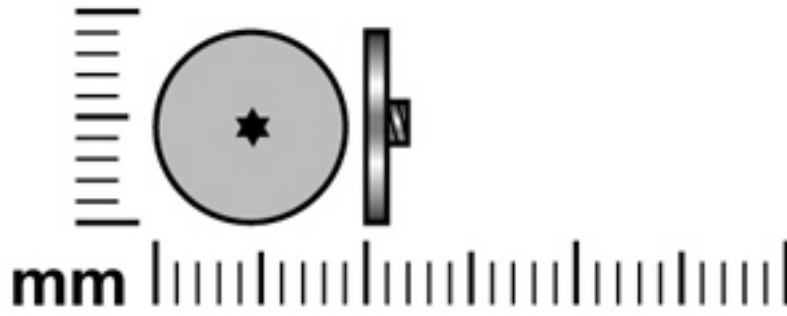
**Where used:** 2 screws that secure the WLAN module to the system board

Color	Quantity	Length	Thread	Head diameter
Black	2	4.0 mm	2.5 mm	5.0 mm

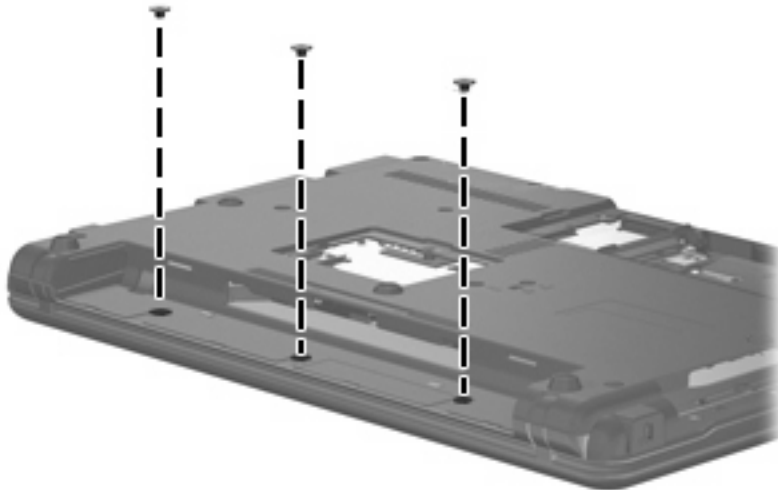


**Where used:** 2 screws that secure the modem module to the system board

## Torx T8M2.0×2.0 broadhead screw (9-mm)

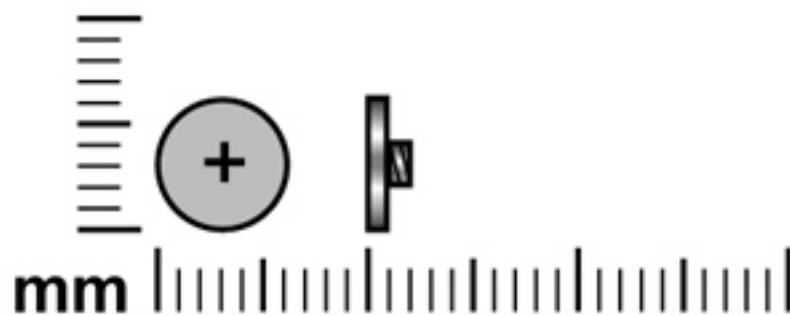


Color	Quantity	Length	Thread	Head diameter
Black	3	2.0 mm	2.0 mm	9.0 mm

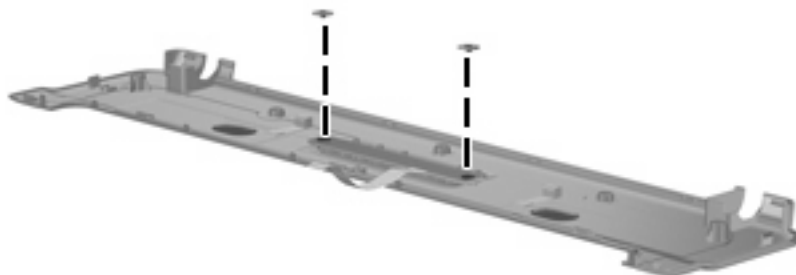


**Where used:** 3 screws that secure the switch cover to the computer

## Phillips PM2.0×2.0 broadhead screw (6-mm)

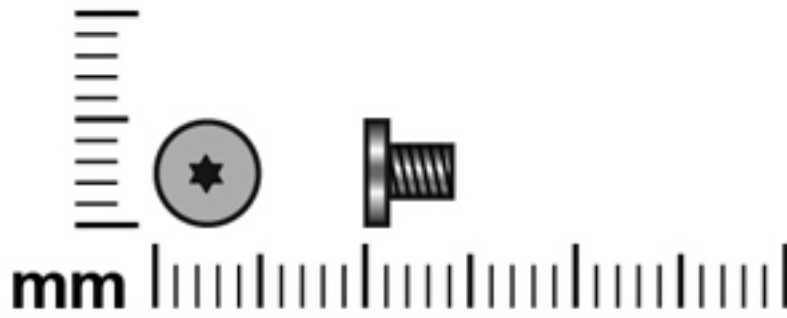


Color	Quantity	Length	Thread	Head diameter
Black	2	2.0 mm	2.0 mm	6.0 mm

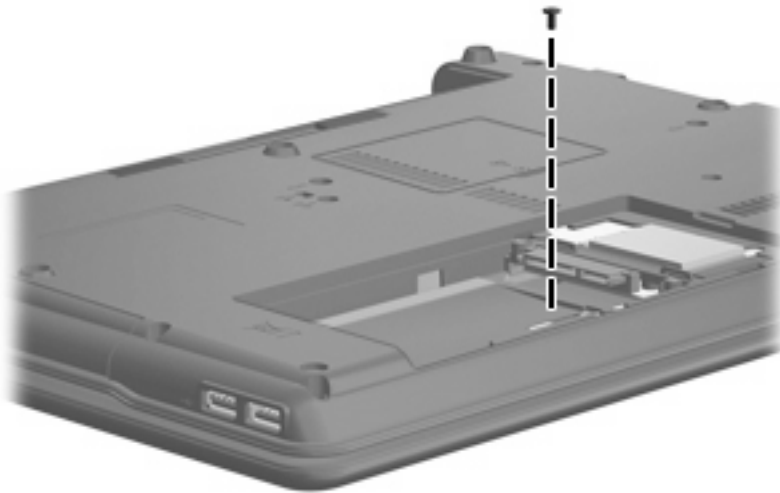


**Where used:** 2 screws that secure the button board to the switch cover

## Torx T8M2.5×4.0 screw



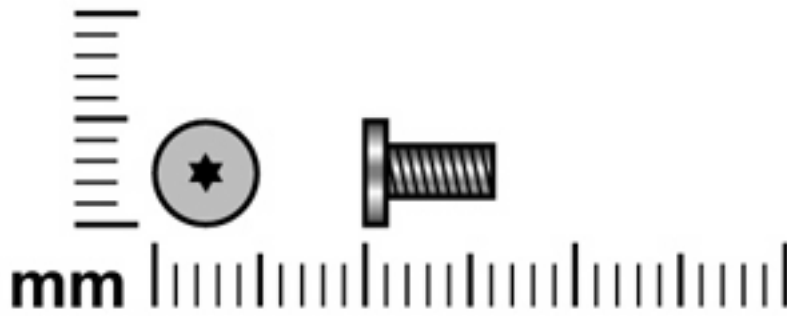
Color	Quantity	Length	Thread	Head diameter
Black	1	4.0 mm	2.5 mm	5.0 mm



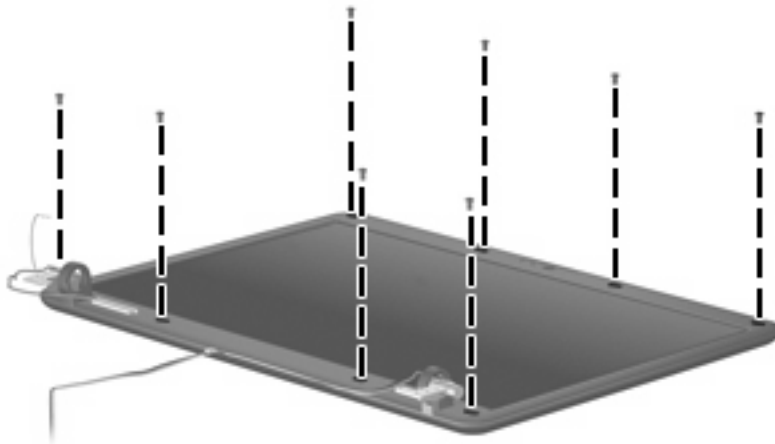
**Where used:** One screw that secures the top cover to the base enclosure



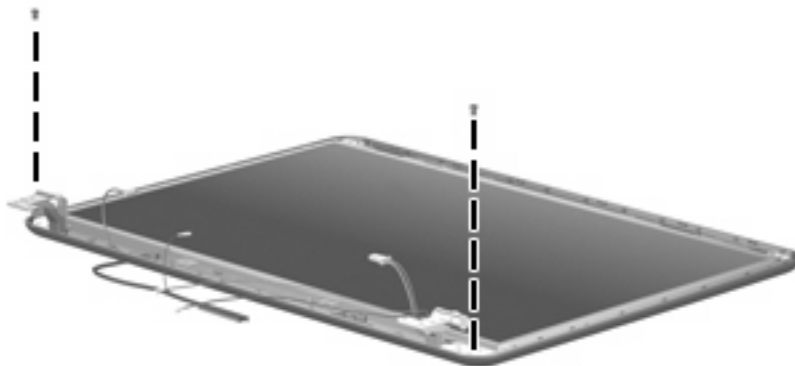
## Torx T8M2.5×6.0 screw



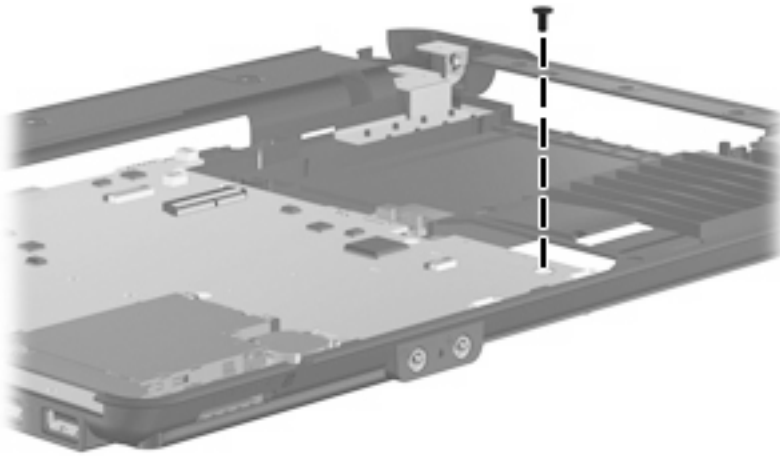
Color	Quantity	Length	Thread	Head width
Black	13	6.0 mm	2.5 mm	5.0 mm



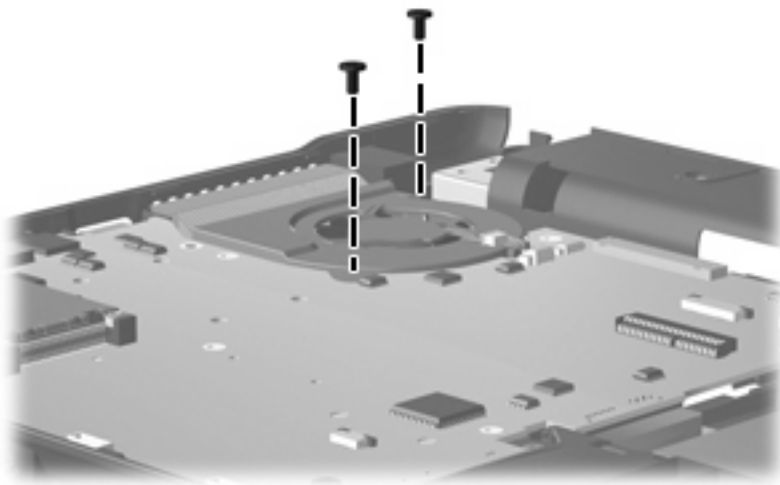
**Where used:** 8 screws that secure the display bezel to the display assembly



**Where used:** 2 screws that secure the display panel to the display assembly

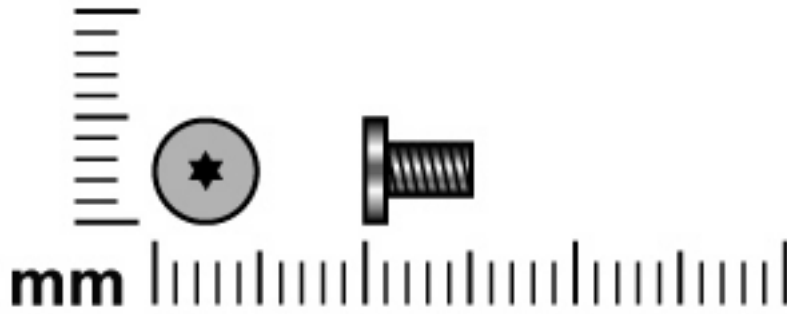


**Where used:** One screw that secures the system board to the base enclosure

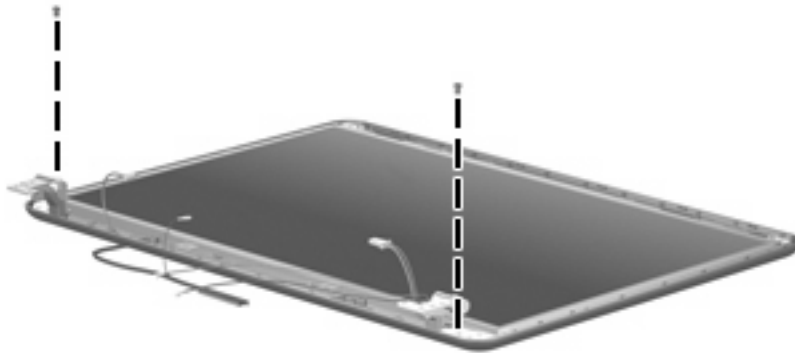


**Where used:** 2 screws that secure the fan to the base enclosure

## Torx T8M2.5x5.0 screw

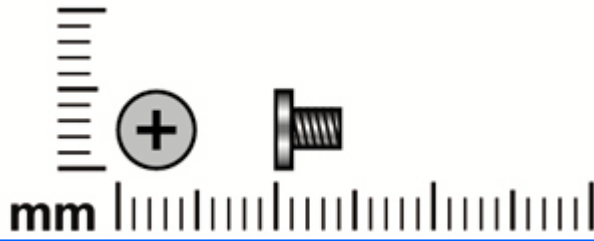


Color	Quantity	Length	Thread	Head diameter
Black	2	5.0 mm	2.5 mm	5.0 mm

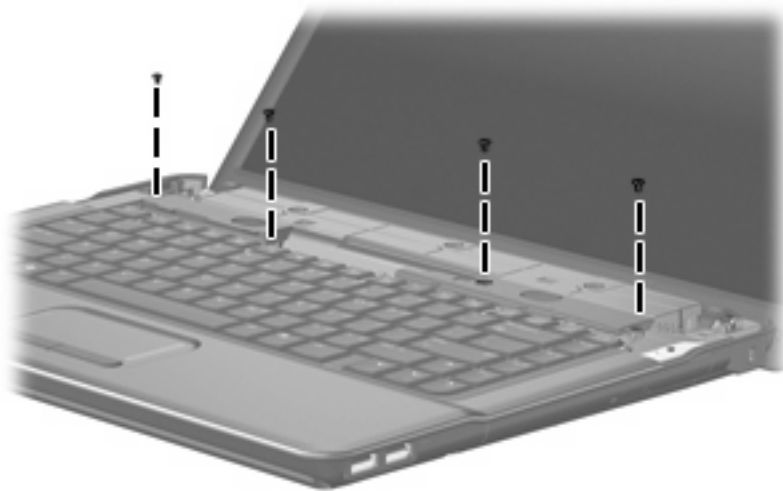


**Where used:** 2 screws that secure the display panel to the display assembly

## Phillips PM2.5x4.0 screw



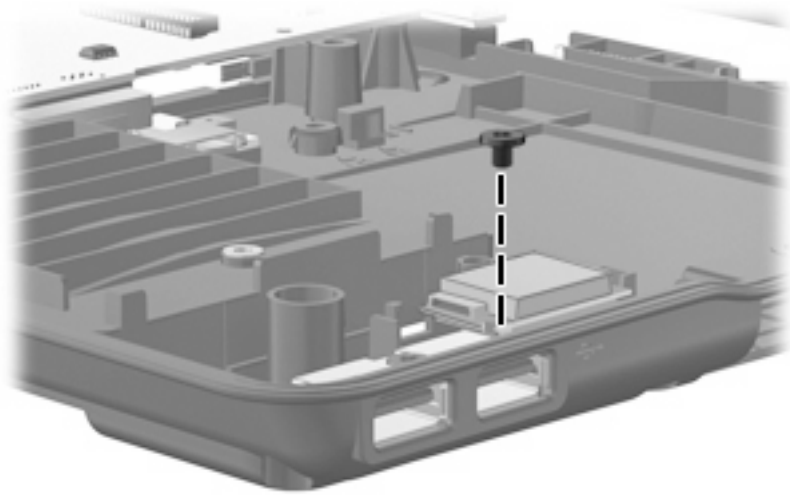
Color	Quantity	Length	Thread	Head diameter
Black	7	4.0 mm	2.5 mm	5.0 mm



**Where used:** 4 screws that secure the speakers to the computer

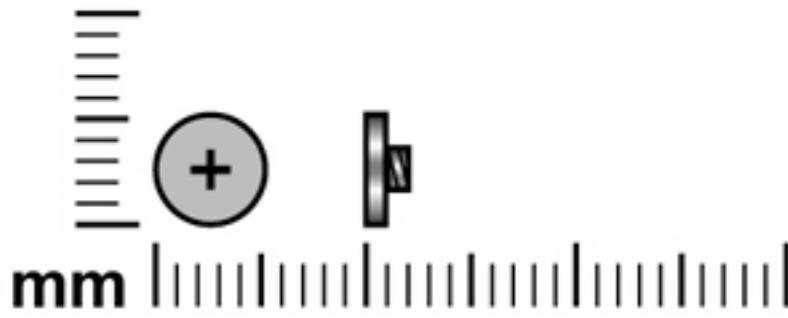


**Where used:** 2 screws that secure the wireless antenna transceiver to the display enclosure

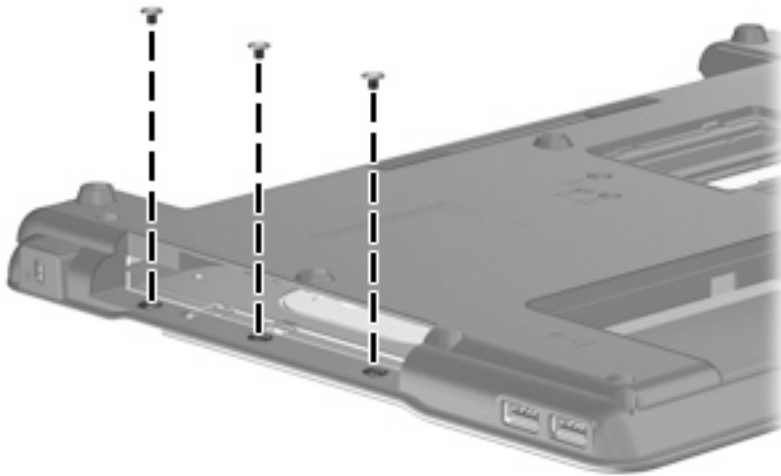


**Where used:** One screw that secures the USB board to the system board

## Phillips PM2.0×2.0 broadhead screw (5-mm)

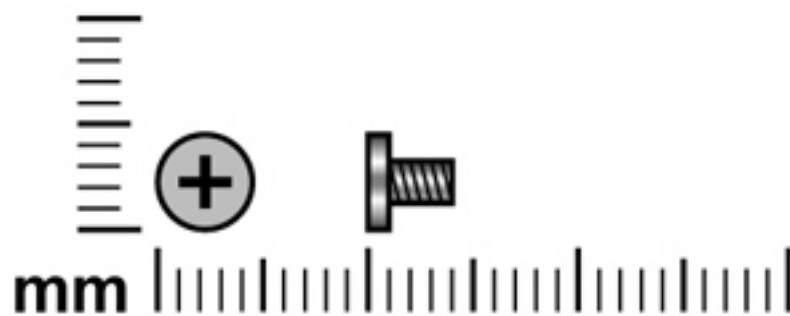


Color	Quantity	Length	Thread	Head diameter
Black	3	2.0 mm	2.0 mm	5.0 mm

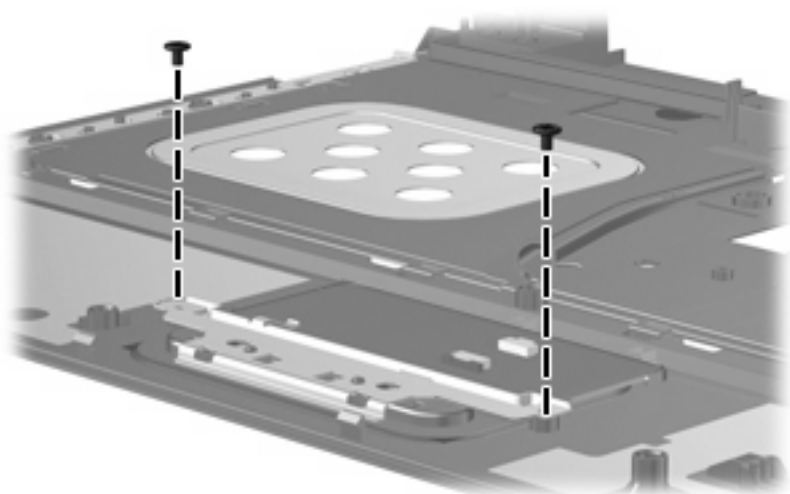


**Where used:** 3 screws that secure the top cover to the display enclosure

## Phillips PM2.0×4.0 screw

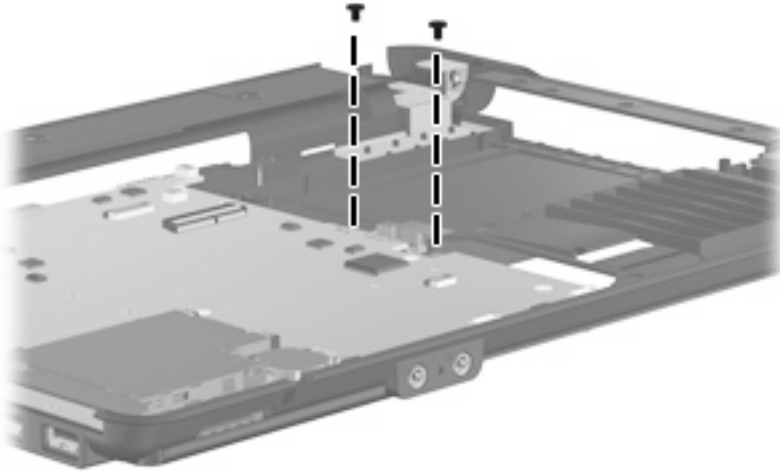


Color	Quantity	Length	Thread	Head diameter
Silver	2	4.0 mm	2.0 mm	4.5 mm

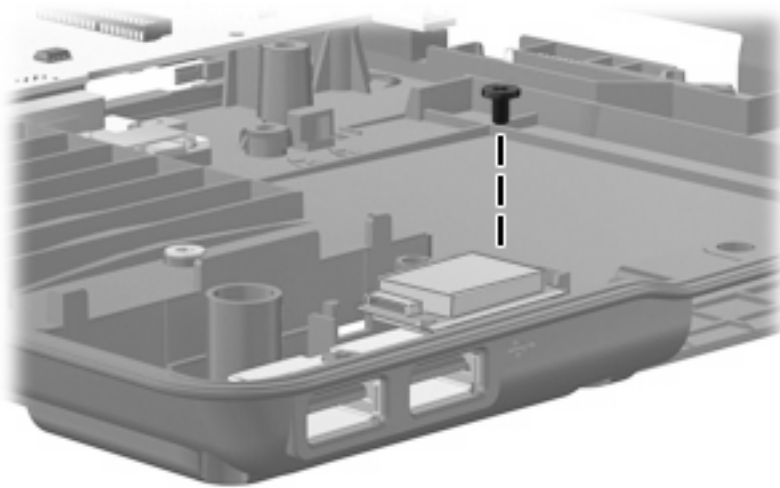


**Where used:** 2 screws that secure the TouchPad bracket and TouchPad button board to the top cover

Color	Quantity	Length	Thread	Head diameter
Black	3	4.0 mm	2.0 mm	4.5 mm



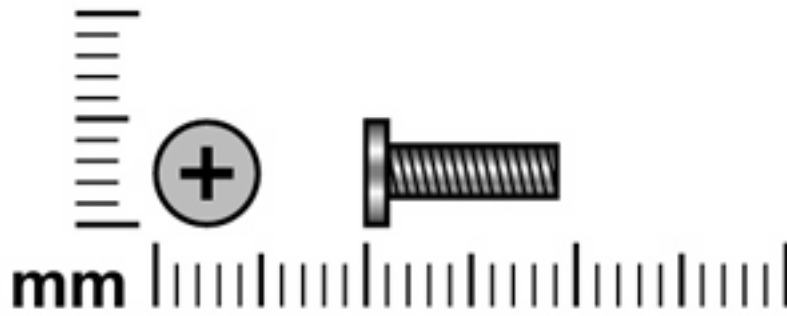
**Where used:** 2 screws that secure the optical drive connector board to the system board



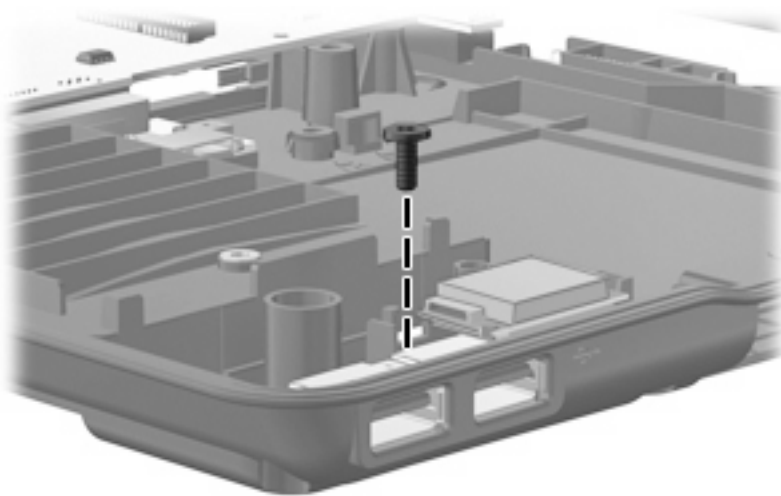
**Where used:** One screw that secures the Bluetooth module to the base enclosure



## Phillips PM2.5×9.0 screw

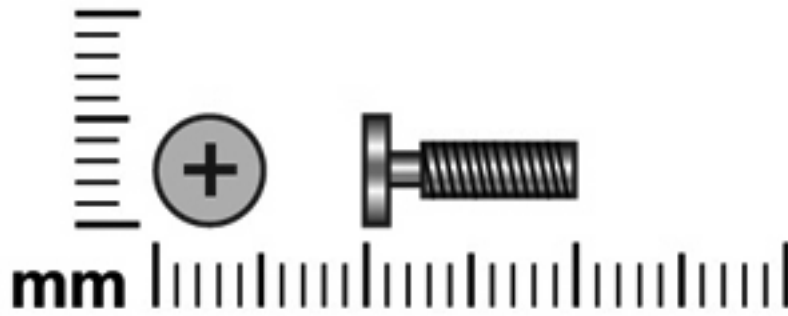


Color	Quantity	Length	Thread	Head diameter
Black	1	9.0 mm	2.5 mm	5.0 mm

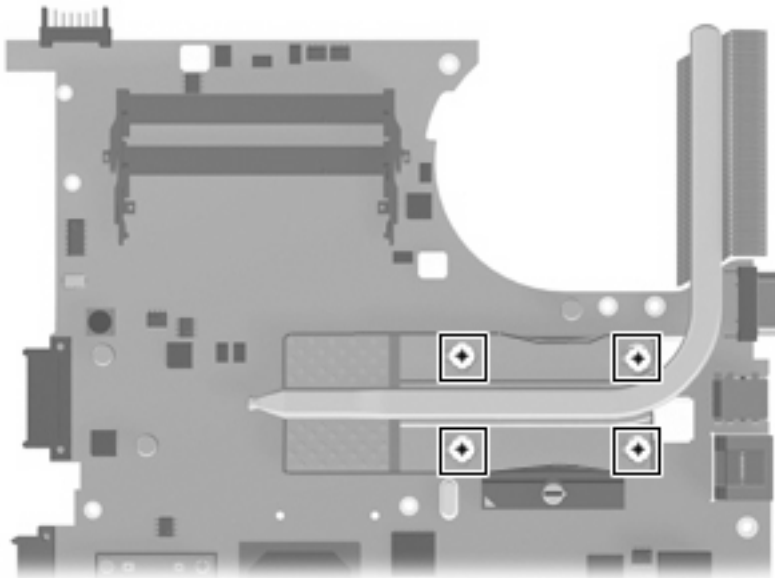


**Where used:** One screw that secures the USB board to the system board

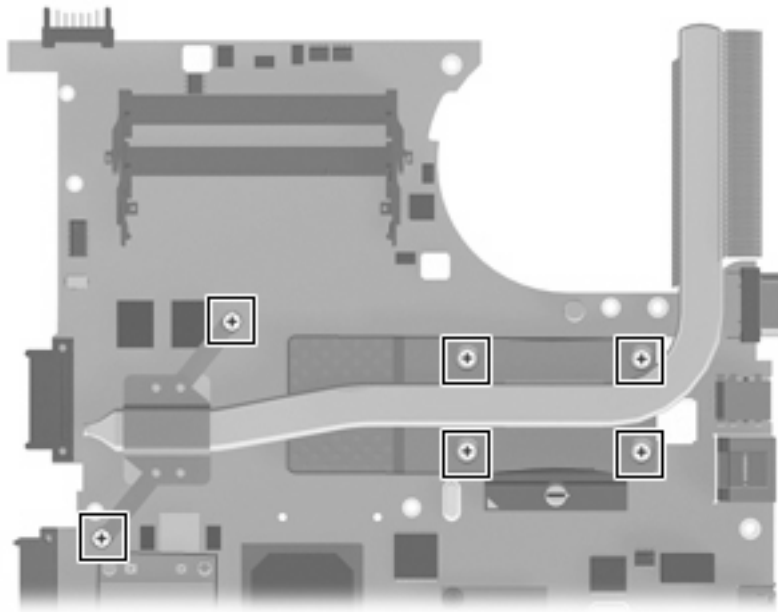
## Phillips PM2.5×10.0 captive screw



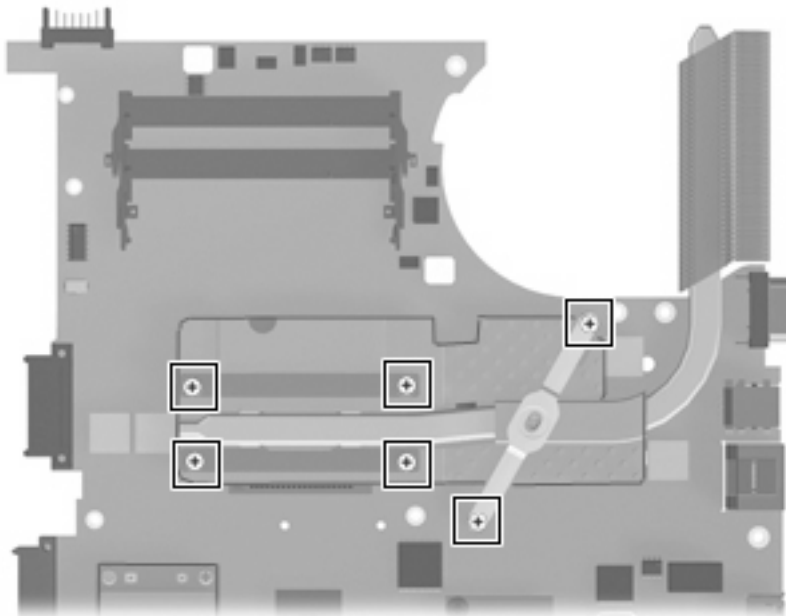
Color	Quantity	Length	Thread	Head diameter
Silver	16	10.0 mm	2.5 mm	5.0 mm



**Where used:** 4 captive screws that secure the discrete heat sink to the PM45 system board for use only with HP Compaq 6730s Notebook PC models (screws are secured to the heat sink by C-clips)



**Where used:** 6 captive screws that secure the heat sink to the GL40 or GM45 system boards for use only with the HP Compaq 6730s Notebook PC models (screws are secured to the heat sink by C-clips)



**Where used:** 6 captive screws that secure the heat sink to the system board for use only with HP Compaq 6735s Notebook PC models (screws are secured to the heat sink by C-clips)

---

# 8 Backup and recovery

## Backup and recovery in Windows Vista


### Overview

To protect your information, use the Backup and Restore Center to back up individual files and folders, back up your entire hard drive (select models only), or create system restore points. In case of system failure, you can use the backup files to restore the contents of your computer.

The Backup and Restore Center provides the following options:

- Backing up individual files and folders
- Backing up the entire hard drive (select models only)
- Scheduling automatic backups (select models only)
- Creating system restore points
- Recovering individual files
- Restoring the computer to a previous state
- Recovering information using recovery tools

---

 **NOTE:** For detailed instructions, perform a search for these topics in Help and Support.

**NOTE:** In case of system instability, HP recommends that you print the recovery procedures and save them for later use.

---

### Backing up your information

Recovery after a system failure is as complete as your most current backup. You should create your initial backup immediately after software setup. As you add new software and data files, you should continue to back up your system on a regular basis to maintain a reasonably current backup.

You can back up your information to an optional external hard drive, a network drive, or discs.

Note the following when backing up:

- Store personal files in the Documents folder, and back it up regularly.
- Back up templates that are stored in their associated programs.
- Save customized settings that appear in a window, toolbar, or menu bar by taking a screen shot of your settings. The screen shot can be a time-saver if you have to reset your preferences.

To create a screen shot:

1. Display the screen you want to save.
2. Copy the screen image:

To copy only the active window, press **alt+fn+prt sc**.

To copy the entire screen, press **fn+prt sc**.


3. Open a word-processing document, and then select **Edit > Paste**.

The screen image is added to the document.

4. Save the document.

- When backing up to discs, use any of the following types of discs (purchased separately): CD-R, CD-RW, DVD+R, DVD+R DL, DVD-R, DVD-R DL, or DVD±RW. The discs you use will depend on the type of optical drive installed in your computer.

---


 **NOTE:** DVDs and DVDs with double-layer (DL) support store more information than CDs, so using them for backup reduces the number of recovery discs required.

---

- When backing up to discs, number each disc before inserting it into the optical drive of the computer.

To create a backup using Backup and Restore Center, follow these steps:

---

 **NOTE:** Be sure that the computer is connected to AC power before you start the backup process.


---

**NOTE:** The backup process may take over an hour, depending on file size and the speed of the computer.

---

1. Select **Start > All Programs > Maintenance > Backup and Restore Center**.
2. Follow the on-screen instructions to back up your entire computer (select models only) or your files.

---

 **NOTE:** Windows includes the User Account Control feature to improve the security of your computer. You may be prompted for your permission or password for tasks such as installing software, running utilities, or changing Windows settings. Refer to Help and Support for more information.


---

## Performing a recovery

In case of system failure or instability, the computer provides the following tools to recover your files:

- Windows recovery tools: You can use the Backup and Restore Center to recover information you have previously backed up. You can also use Windows Startup Repair to fix problems that might prevent Windows from starting correctly.
- f11 recovery tools: You can use the f11 recovery tools to recover your original hard drive image. The image includes the Windows operating system and software programs installed at the factory.

---


 **NOTE:** If you are unable to boot (start up) your computer, you must purchase a Windows Vista® operating system DVD to reboot the computer and repair the operating system. For additional information, refer to the “Using a Windows Vista operating system DVD (purchased separately)” section in this guide.

---


## Using the Windows recovery tools

To recover information you previously backed up, follow these steps:


1. Click **Start > All Programs > Maintenance > Backup and Restore Center**.
2. Follow the on-screen instructions to recover your entire computer (select models only) or your files.

 **NOTE:** Windows includes the User Account Control feature to improve the security of your computer. You may be prompted for your permission or password for tasks such as installing software, running utilities, or changing Windows settings. Refer to Help and Support for more information.


To recover your information using Startup Repair, follow these steps:

 **CAUTION:** Using Startup Repair completely erases hard drive contents and reformats the hard drive. All files you have created and any software installed on the computer are permanently removed. When reformatting is complete, the recovery process restores the operating system, as well as the drivers, software, and utilities from the backup used for recovery.


1. If possible, back up all personal files.
2. If possible, check for the presence of the Windows partition and the HP Recovery partition. To find the partitions, select **Start > Computer**.

 **NOTE:** If the Windows partition and the HP Recovery partition have been deleted, you must recover your operating system and programs using the Windows Vista operating system DVD and the *Driver Recovery* disc (both purchased separately). For additional information, refer to the “Using a Windows Vista operating system DVD (purchased separately)” section in this guide.

3. Restart the computer, and then press **f8** before the Windows operating system loads.
4. Select **Repair your computer**.
5. Follow the on-screen instructions.


 **NOTE:** For additional information on recovering information using the Windows tools, perform a search for these topics in Help and Support.

## Using f11

 **CAUTION:** Using **f11** completely erases hard drive contents and reformats the hard drive. All files you have created and any software installed on the computer are permanently removed. The **f11** recovery tool reinstalls the operating system and HP programs and drivers that were installed at the factory. Software not installed at the factory must be reinstalled.

To recover the original hard drive image using **f11**, follow these steps:

1. If possible, back up all personal files.
2. If possible, check for the presence of the HP Recovery partition. To find the partition, select **Start > Computer**.

 **NOTE:** If the HP Recovery partition has been deleted, you must recover your operating system and programs using the Windows Vista operating system DVD and the *Driver Recovery* disc (both purchased separately). For additional information, refer to the “Using a Windows Vista operating system DVD (purchased separately)” section in this guide.

3. Turn on or restart the computer, and then press **esc** while the “Press the ESC key for Startup Menu” message is displayed at the bottom of the screen.

4. Press **f11** while the “Press <F11> for recovery” message is displayed on the screen.
5. Follow the on-screen instructions.

## Using a Windows Vista operating system DVD (purchased separately)

If you are unable to boot (start up) your computer, you must purchase a Windows Vista operating system DVD to reboot the computer and repair the operating system. Make sure that your most recent backup (stored on discs or on an external drive) is easily accessible. To order a Windows Vista operating system DVD, go to <http://www.hp.com/support>, select your country or region, and follow the on-screen instructions. You can also order the DVD by calling technical support. For contact information, refer to the *Worldwide Telephone Numbers* booklet included with the computer.


---

△ **CAUTION:** Using a Windows Vista operating system DVD completely erases hard drive contents and reformats the hard drive. All files you have created and any software installed on the computer are permanently removed. When reformatting is complete, the recovery process helps you restore the operating system, as well as drivers, software, and utilities.

---

To initiate recovery using a Windows Vista operating system DVD, follow these steps:

---

 **NOTE:** This process takes several minutes.

---

1. If possible, back up all personal files.
2. Restart the computer, and then insert the Windows Vista operating system DVD into the optical drive before the Windows operating system loads.
3. When prompted, press any keyboard key.
4. Follow the on-screen instructions.
5. Click **Next**.
6. Select **Repair your computer**.
7. Follow the on-screen instructions.

# Backup and recovery in Windows XP


## Overview

To protect your information, use the Windows Backup utility (select models only) to back up files and folders or create recovery points. In case of system failure, you can use the backup files to restore your computer.

Windows provides the following options:

- Backing up individual files and folders
- Backing up all files and folders
- Scheduling automatic backups
- Creating recovery points
- Recovering information

---

 **NOTE:** For detailed instructions, perform a search for these topics in Help and Support.

**NOTE:** In case of system instability, HP recommends that you print the recovery procedures and save them for later use.

---

## Backing up your information

Recovery after a system failure is as complete as your most current backup. You should create your initial backup immediately after software setup. As you add new software and data files, you should continue to back up your system on a regular basis to maintain a reasonably current backup.

You can back up individual files or folders to an optional external hard drive or to a network drive.

Note the following when backing up:

- Store personal files in the My Documents folder, and back it up periodically.
- Back up templates stored in their associated programs.
- Save customized settings that appear in a window, toolbar, or menu bar by taking a screen shot of your settings. The screen shot can be a time saver if you have to reset your preferences.


To copy the screen and paste it into a word-processing document:

- a. Display the screen you want to save.
- b. Copy the screen image:
  - To copy only the active window, press **alt+fn+prt sc**.
  - To copy the entire screen, press **fn+prt sc**.
- c. Open a word-processing document, click **Edit > Paste**.
  - The screen image is added to the document.
- d. Save the document.

To create a backup using the Windows Backup utility (select models only), follow these steps:



---

 **NOTE:** Be sure that the computer is connected to AC power before you start the backup process.

**NOTE:** The backup process may take over an hour, depending on file size and the speed of the computer.

---

1. Click **Start > All Programs > Accessories > System Tools > Backup**.
2. Follow the on-screen instructions.

## Performing a recovery

In case of system failure or instability, the computer provides the following tools to recover your files:


- Windows recovery tools (select models only): You can use the Windows Backup utility to recover information you have previously backed up.
- *Operating System* and *Driver Recovery* discs (included with your computer): You can use the discs to recover your operating system and programs installed at the factory.

## Recovering your information

To recover information you previously backed up, follow these steps:

1. If possible, back up all personal files.
2. Click **Start > All Programs > Accessories > System Tools > Backup**.  
The Backup or Restore Wizard opens.
3. Click **Restore files and settings**, and then click **Next**.
4. Follow the on-screen instructions.

---

 **NOTE:** For additional information on initiating a recovery in Windows, perform a search for this topic in Help and Support.

---

## Recovering the operating system and programs

△ **CAUTION:** The recovery process reformats and completely erases the hard drive. All files you have created and any software installed on the computer are permanently removed. The recovery process reinstalls the original operating system, software, and drivers. Software, drivers, and updates not installed by HP must be manually reinstalled.

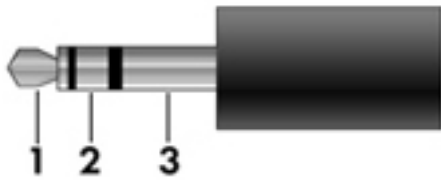
---

To recover your operating system and programs, follow these steps:

1. If possible, back up all personal files.
2. Insert the *Operating System* disc into the optical drive.
3. Shut down the computer.
4. Turn on the computer.
5. Follow the on-screen instructions to install the operating system.
6. After the operating system is installed, remove the *Operating System* disc and insert the *Driver Recovery* disc.
7. Follow the on-screen instructions to install the drivers and programs.

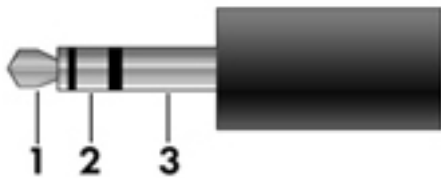
## 9 Connector pin assignments

### Audio-in (microphone)



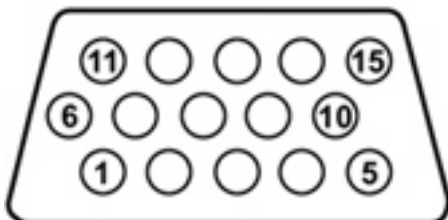
Pin	Signal
1	Audio signal in
2	Audio signal in
3	Ground

### Audio-out (headphone)



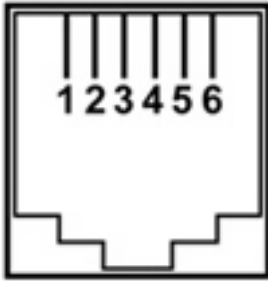
Pin	Signal
1	Audio out, left channel
2	Audio out, right channel
3	Ground

### External monitor



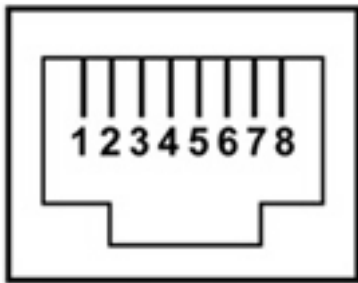
Pin	Signal
1	Red analog
2	Green analog
3	Blue analog
4	Not connected
5	Ground
6	Ground analog
7	Ground analog
8	Ground analog
9	+5 VDC
10	Ground
11	Monitor detect
12	DDC 2B data
13	Horizontal sync
14	Vertical sync
15	DDC 2B clock

## RJ-11 (modem)



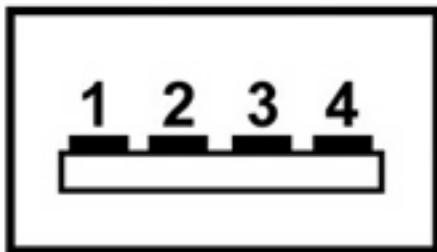
Pin	Signal
1	Unused
2	Tip
3	Ring
4	Unused
5	Unused
6	Unused

## RJ-45 (network)



Pin	Signal
1	Transmit +
2	Transmit -
3	Receive +
4	Unused
5	Unused
6	Receive -
7	Unused
8	Unused

## Universal Serial Bus



Pin	Signal
1	+5 VDC
2	Data -
3	Data +
4	Ground

---

# 10 Power cord set requirements

The wide range input feature of the computer permits it to operate from any line voltage from 100 to 120 volts AC or from 220 to 240 volts AC.

The 3-conductor power cord set included with the computer meets the requirements for use in the country or region where the equipment is purchased.

Power cord sets for use in other countries and regions must meet the requirements of the country or region where the computer is used.

## Requirements for all countries and regions

The requirements listed below are applicable to all countries and regions:

- The length of the power cord set must be at least 1.5 m (5.0 ft) and no more than 2.0 m (6.5 ft).
- All power cord sets must be approved by an acceptable accredited agency responsible for evaluation in the country or region where the power cord set will be used.
- The power cord sets must have a minimum current capacity of 10 amps and a nominal voltage rating of 125 or 250 V AC, as required by the power system of each country or region.
- The appliance coupler must meet the mechanical configuration of an EN 60 320/IEC 320 Standard Sheet C13 connector for mating with the appliance inlet on the back of the computer.

## Requirements for specific countries and regions

Country/region	Accredited agency	Applicable note number
Australia	EANSW	1
Austria	OVE	1
Belgium	CEBC	1
Canada	CSA	2
Denmark	DEMKO	1
Finland	FIMKO	1
France	UTE	1
Germany	VDE	1
Italy	IMQ	1
Japan	METI	3
The Netherlands	KEMA	1
Norway	NEMKO	1
The People's Republic of China	CCC	5
South Korea	EK	4
Sweden	SEMKO	1
Switzerland	SEV	1
Taiwan	BSMI	4
The United Kingdom	BSI	1
The United States	UL	2

1. The flexible cord must be Type HO5VV-F, 3-conductor, 1.0-mm<sup>2</sup> conductor size. Power cord set fittings (appliance coupler and wall plug) must bear the certification mark of the agency responsible for evaluation in the country or region where it will be used.
2. The flexible cord must be Type SPT-3 or equivalent, No. 18 AWG, 3-conductor. The wall plug must be a two-pole grounding type with a NEMA 5-15P (15 A, 125 V) or NEMA 6-15P (15 A, 250 V) configuration.
3. The appliance coupler, flexible cord, and wall plug must bear a "T" mark and registration number in accordance with the Japanese Dentori Law. The flexible cord must be Type VCT or VCTF, 3-conductor, 1.00-mm<sup>2</sup> conductor size. The wall plug must be a two-pole grounding type with a Japanese Industrial Standard C8303 (7 A, 125 V) configuration.
4. The flexible cord must be Type RVV, 3-conductor, 0.75-mm<sup>2</sup> conductor size. Power cord set fittings (appliance coupler and wall plug) must bear the certification mark of the agency responsible for evaluation in the country or region where it will be used.
5. The flexible cord must be Type VCTF, 3-conductor, 0.75-mm<sup>2</sup> conductor size. Power cord set fittings (appliance coupler and wall plug) must bear the certification mark of the agency responsible for evaluation in the country or region where it will be used.

---

# 11 Recycling

## Battery

When a battery has reached the end of its useful life, do not dispose of the battery in general household waste. Follow the local laws and regulations in your area for computer battery disposal.

## Display

- 
- ⚠ **WARNING!** The backlight contains mercury. Exercise caution when removing and handling the backlight to avoid damaging this component and causing exposure to the mercury.
  - ⚠ **CAUTION:** The procedures in this chapter can result in damage to display components. The only components intended for recycling purposes are the liquid crystal display (LCD) panel and the backlight. When you remove these components, handle them carefully.
  - 📄 **NOTE: Materials Disposal.** This HP product contains mercury in the backlight in the display assembly that might require special handling at end-of-life. Disposal of mercury may be regulated because of environmental considerations. For disposal or recycling information, contact your local authorities, or see the Electronic Industries Alliance (EIA) Web site at <http://www.eiae.org>.
- 

This section provides disassembly instructions for the display assembly. The display assembly must be disassembled to gain access to the backlight **(1)** and the liquid crystal display (LCD) panel **(2)**.

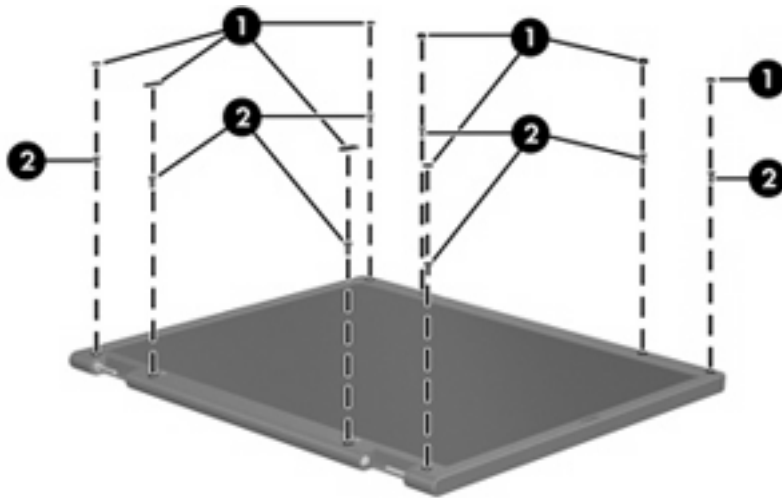


- 
- 📄 **NOTE:** The procedures provided in this appendix are general disassembly instructions. Specific details, such as screw sizes, quantities, and locations, and component shapes and sizes, can vary from one computer model to another.
-



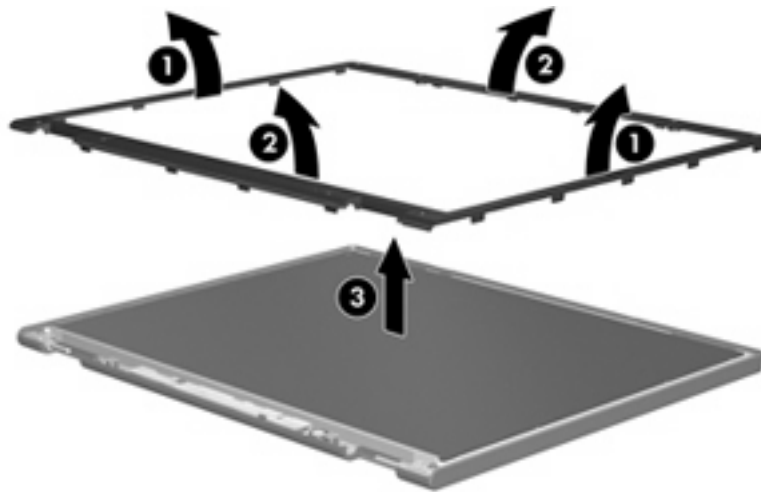
Perform the following steps to disassemble the display assembly:

1. Remove all screw covers (1) and screws (2) that secure the display bezel to the display assembly.

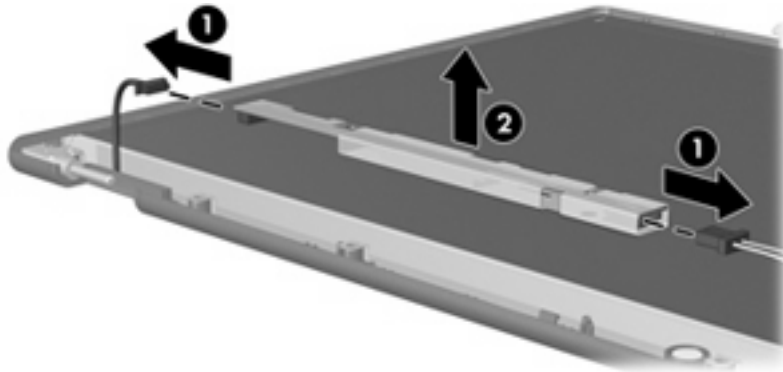


2. Lift up and out on the left and right inside edges (1) and the top and bottom inside edges (2) of the display bezel until the bezel disengages from the display assembly.

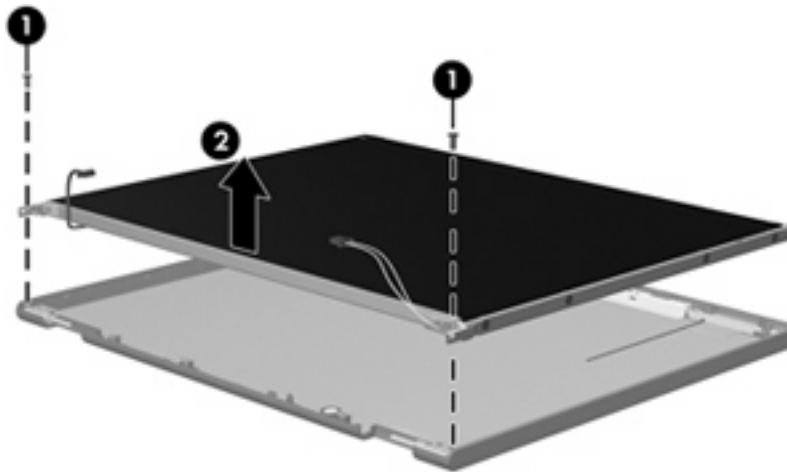
3. Remove the display bezel (3).



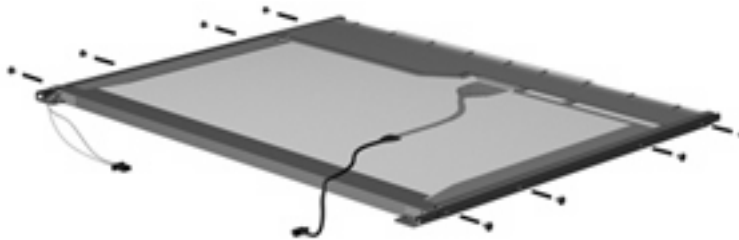
4. Disconnect all display panel cables (1) from the display inverter and remove the inverter (2).



5. Remove all screws (1) that secure the display panel assembly to the display enclosure.
6. Remove the display panel assembly (2) from the display enclosure.

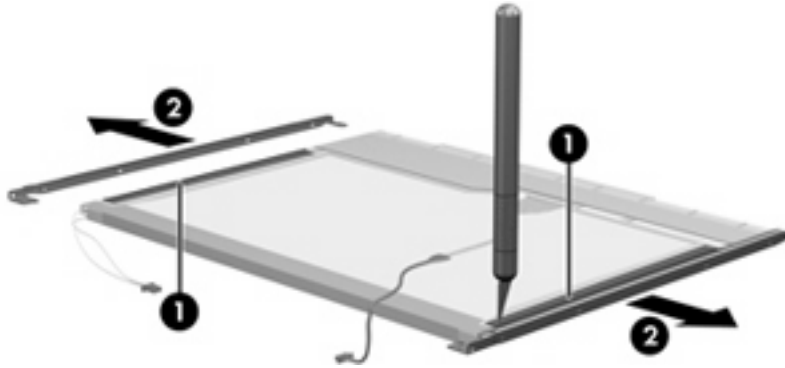


7. Turn the display panel assembly upside down.
8. Remove all screws that secure the display panel frame to the display panel.

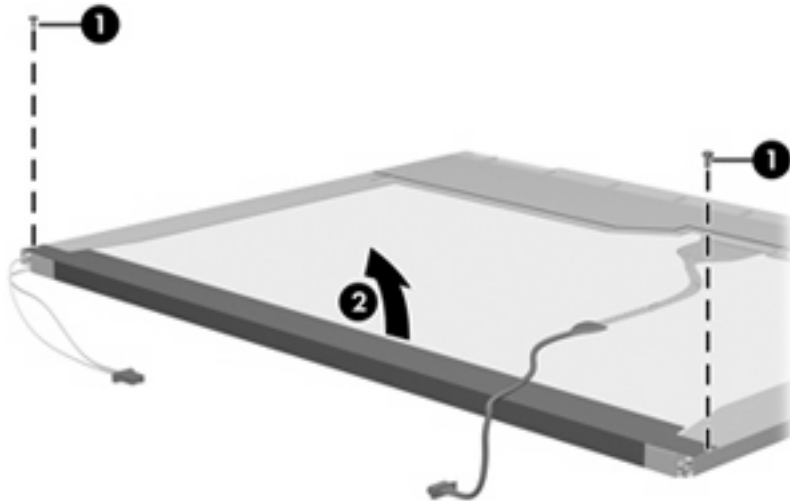


9. Use a sharp-edged tool to cut the tape (1) that secures the sides of the display panel to the display panel frame.

10. Remove the display panel frame (2) from the display panel.

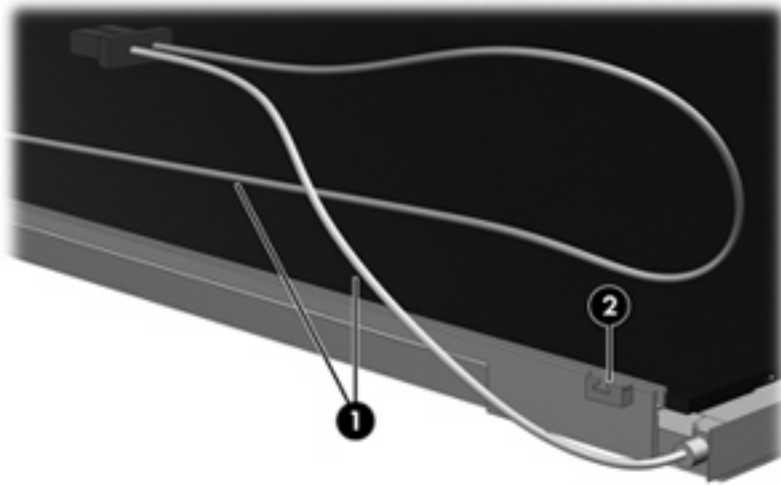


11. Remove the screws (1) that secure the backlight cover to the display panel.
12. Lift the top edge of the backlight cover (2) and swing it outward.



13. Remove the backlight cover.
14. Turn the display panel right-side up.

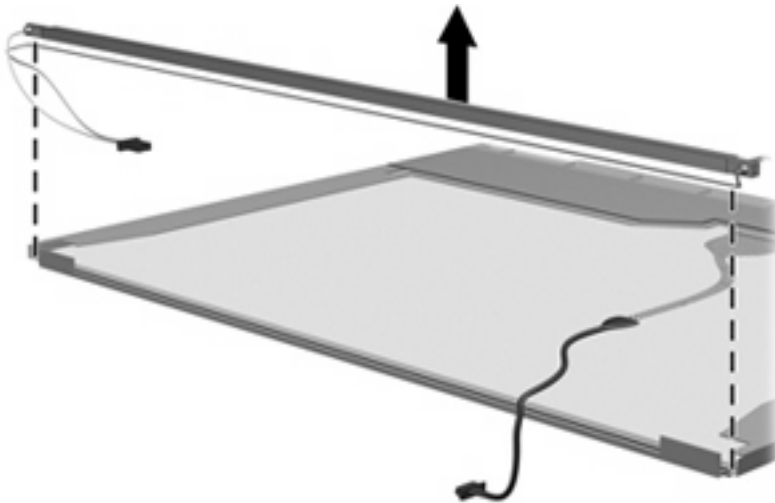
15. Remove the backlight cables (1) from the clip (2) in the display panel.



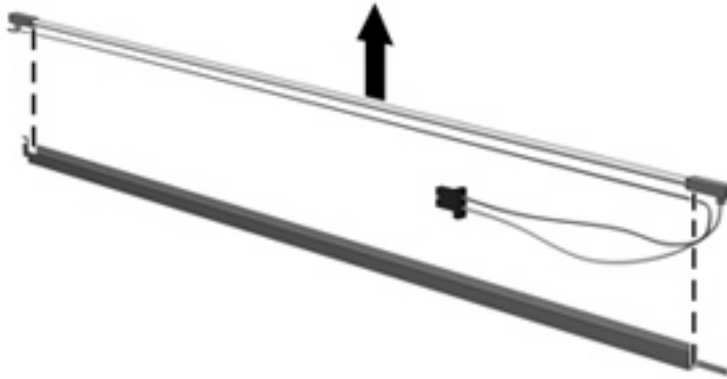
16. Turn the display panel upside down.

**⚠ WARNING!** The backlight contains mercury. Exercise caution when removing and handling the backlight to avoid damaging this component and causing exposure to the mercury.

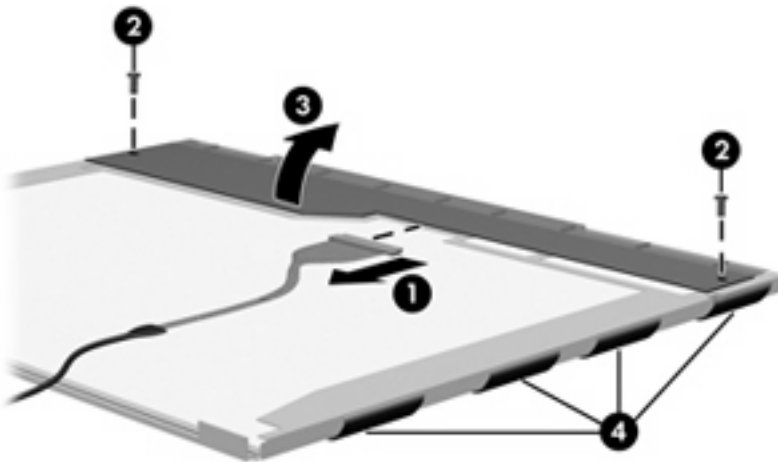
17. Remove the backlight frame from the display panel.



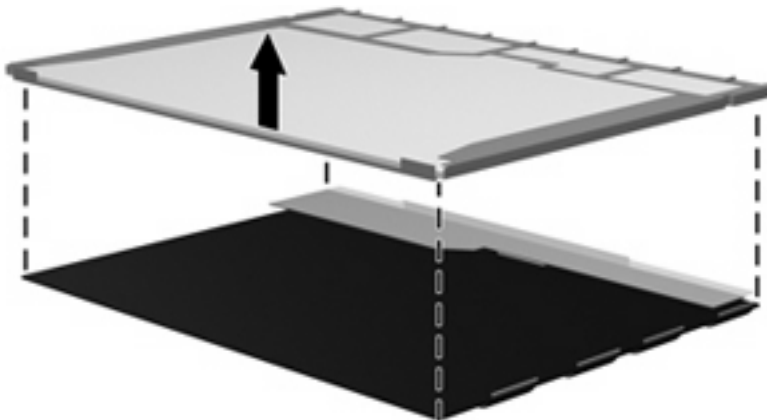
18. Remove the backlight from the backlight frame.



19. Disconnect the display panel cable (1) from the LCD panel.
20. Remove the screws (2) that secure the LCD panel to the display rear panel.
21. Release the LCD panel (3) from the display rear panel.
22. Release the tape (4) that secures the LCD panel to the display rear panel.



23. Remove the LCD panel.



24. Recycle the LCD panel and backlight.

---

# Index

- A**
  - AC adapter, spare part
    - numbers 32
  - AMT options
    - AMT setup prompt (CTRL-P) 103
    - firmware progress event support 103
    - firmware verbosity 103
    - terminal emulation mode 103
    - TYPE-131 in SMBIOS 103
    - unconfigure AMT on next boot 103
    - USB key provisioning support 103
  - antenna, disconnecting 56
  - audio, product description 5
  - audio-in jack
    - location 14
    - pin assignments 146
  - audio-out jack
    - location 14
    - pin assignments 146
- B**
  - backing up, Windows Vista 140
  - backing up, Windows XP 144
  - Backup and Restore Center 140, 141
  - base enclosure, spare part
    - number 24, 36, 40
  - battery
    - location 16
    - removal 50
    - spare part number 24, 38, 41, 50
  - battery bay 16
  - battery latches 16
  - battery light 15
  - BIOS administrator password 99
  - Blu-ray Disc ROM Combo Drive
    - removal 59
    - spare part number 27, 30, 36, 59
    - specifications 110
  - Bluetooth module
    - removal 78
    - spare part number 22, 34, 78
  - Bluetooth module cable
    - illustrated 29
  - boot options 101
  - boot order 101
  - bottom components 16
  - Broadcom Bluetooth module
    - spare part number 22
  - built-in device
    - ambient light sensor 102
    - Bluetooth device radio 102
    - embedded WLAN 102
    - fingerprint reader 102
    - integrated camera 102
    - LAN/WLAN switching 102
    - modem 102
    - Network Interface Controller (LAN) 102
    - Notebook Multibay 102
    - Wake on LAN 102
    - wireless button 102
    - WWAN device radio 102
  - built-in device options 102
  - button components 11
  - buttons
    - power 12
    - TouchPad 10
    - wireless 11
- C**
  - Cable Kit
    - contents 29
    - spare part number 29, 38, 40
  - cables, service considerations 43
  - caps lock light 12
  - chipset, product description 2
  - CMOS clearing 47
  - components
    - bottom 16
    - buttons 11
    - display 9
    - front 14
    - keys 12
    - left-side 15
    - lights 11
    - pointing devices 10
    - right-side 14
    - speakers 11
    - top 9
    - TouchPad 10
  - computer feet
    - locations 49
    - spare part number 49
  - Computer Setup
    - accessing 95
    - Diagnostics menu 100
    - File menu 98
    - navigating and selecting 96
    - restoring factory settings 96
    - Security menu 99
    - System Configuration menu 101
    - using 96
  - computer specifications 104
  - connectors
    - power 15
    - service considerations 43

## D

device configurations 101  
Diagnostics menu 100  
discs  
    Driver Recovery 145  
    Operating System 145  
Disk Sanitizer 99  
diskette drive  
    precautions 43  
    product description 5  
display  
    components 9  
    illustrated 9  
display assembly  
    removal 67  
    spare part numbers 18, 19, 36, 67  
display bezel  
    removal 69  
    spare part number 19, 36, 40, 70  
display bezel with webcam, spare part number 19  
display cable kit, spare part number 19, 36, 40  
display component recycling 152  
display components 9  
display cover, spare part number 19, 40  
display hinge  
    removal 71  
    spare part number 19, 41, 72  
display inverter  
    removal 70  
    spare part number 19, 71  
display inverter, spare part number 41  
display panel, removal 71  
display specifications 105  
drive light 14  
DriveLock password 99  
DriveLock, automatic 99  
Driver Recovery disc 145  
drives  
    boot order 101  
    preventing damage 43  
Dual Core CPU 102  
DVD-ROM Drive  
    removal 59

    spare part number 27, 30, 36, 39, 59  
    specifications 107  
DVD/CD-RW Combo Drive  
    precautions 43  
    removal 59  
    spare part number 27, 30, 36, 39, 59  
    specifications 111  
DVD±RW Double-Layer Drive with LightScribe  
    precautions 43  
    removal 59  
    spare part number 27, 30, 36, 59  
    specifications 108  
DVD±RW SuperMulti Double-Layer Drive with LightScribe  
    removal 59  
    spare part number 27, 30, 39, 59  
    specifications 109

## E

electrostatic discharge 44  
error log 100  
esc key 12  
Ethernet, product description 5  
Execution Disable 101  
ExpressCard assembly, spare part number 23  
ExpressCard slot 15  
ExpressCard slot bezel 22  
ExpressCard slot bezel, illustrated 28  
external media cards, product description 5  
external monitor port  
    location 15  
    pin assignments 146

## F

fan  
    removal 81  
    spare part number 22, 35, 40, 81  
feet  
    locations 49  
    spare part number 49  
File menu 98

fn key 13  
front components 14  
function keys 13

## G

graphics, product description 2  
grounding equipment and methods 46

## H

hard disk test 100  
hard drive  
    location 16  
    precautions 43  
    product description 4  
    removal 51  
    spare part numbers 26, 30, 36, 39, 41, 51  
    specifications 106  
hard drive bay 16  
hard drive bay cover  
    illustrated 28  
    removal 52  
hard drive bracket, removal 53  
headphone jack  
    location 14  
    pin assignments 146  
heat sink  
    removal 88  
    spare part number 22, 36, 88  
hinge  
    removal 71  
    spare part number 72  
Hinge Kit, spare part number 40  
HP QuickLook 2 102  
HP SpareKey enrollment 99

## I

I/O address specifications 114  
internal display switch 12  
interrupt specifications 113

## J

jacks  
    audio-in 14  
    audio-out 14  
    headphone 14  
    microphone 14  
    modem 15  
    network 15

- RJ-11 15
- RJ-45 15

**K**

- key components 12
- keyboard
  - product description 6
  - removal 61
  - spare part number 20, 37, 39, 61
- keypad keys 13
- keys
  - esc 12
  - fn 13
  - function 13
  - keypad 13
  - num lk 13
  - Windows applications 13
  - Windows logo 13

**L**

- LAN Power Save 101
- language, changing in Computer Setup 101
- LCD inverter, spare part number 36
- left-side components 15
- legacy support, USB 95, 101
- light components 11
- lights
  - battery 15
  - caps lock 12
  - drive 14
  - power 11
  - wireless 11
- Logo Kit, spare part number 32, 38, 40

**M**

- mass storage devices, spare part numbers 30
- Media Card Reader 14
- memory map specifications 116
- memory module
  - product description 3
  - removal 57
  - spare part numbers 26, 38, 39, 57
- memory module compartment 16

- memory module compartment cover
  - illustrated 28
  - removal 58
- microphone jack
  - location 14
  - pin assignments 146
- microphone, internal 14
- model name 1
- modem jack
  - location 15
  - pin assignments 148
- modem module
  - product description 5
  - removal 86
  - spare part numbers 24, 86
- monitor port
  - location 15
  - pin assignments 146

**N**

- network jack
  - location 15
  - pin assignments 149
- num lk key 13

**O**

- Operating System disc 145
- operating system, product description 6
- optical drive
  - location 14
  - precautions 43
  - product description 4
  - removal 59
  - spare part number 27, 30, 59
  - specifications 107, 108, 109, 110, 111
- optical drive connector, spare part number 24, 36

**P**

- packing guidelines 45
- panels, product description 3
- parallel port mode 101
- password clearing 47
- passwords 99
- pin assignments
  - audio-in jack 146
  - audio-out jack 146

- external monitor port 146
- headphone jack 146
- microphone jack 146
- modem jack 148
- monitor port 146
- network jack 149
- RJ-11 148
- RJ-45 jack 149
- Universal Serial Bus (USB) port 149
- plastic parts 42
- Plastics Kit
  - contents 28
  - spare part number 22, 28, 36, 40
- pointing device
  - components 10
  - illustrated 10
- pointing device components
  - TouchPad 10
  - TouchPad buttons 10
  - TouchPad scroll zone 10
- pointing devices, product description 6
- port options
  - 1394 port 103
  - ExpressCard slot 103
  - flash media reader 103
  - parallel port 103
  - serial port 103
  - Smart Card slot 103
  - USB port 103
- ports
  - external monitor 15
  - monitor 15
  - product description 5
  - Universal Serial Bus (USB) 14, 15
- power button 12
- power connector 15
- power cord
  - set requirements 150
  - spare part numbers 32, 34, 35
- power light 11
- power requirements, product description 6
- processor
  - product description 1



- removal 92
- spare part numbers 23, 24, 38, 41, 92
- product description
  - audio 5
  - chipset 2
  - diskette drive 5
  - Ethernet 5
  - external media cards 5
  - graphics 2
  - hard drives 4
  - keyboard 6
  - memory module 3
  - modem module 5
  - operating system 6
  - optical drives 4
  - panels 3
  - pointing devices 6
  - ports 5
  - power requirements 6
  - processors 1
  - product name 1
  - security 6
  - serviceability 7
  - wireless 5
- product name 1

## R

- RAID (Redundant Array of Independent Disks)
  - devices 101
- removal/replacement
  - preliminaries 42
  - procedures 48
- restore security defaults 103
- restore the factory settings 98
- right-side components 14
- RJ-11 jack
  - location 15
  - pin assignments 148
- RJ-11 jack cable
  - illustrated 29
- RJ-45 jack
  - location 15
  - pin assignments 149
- RTC battery
  - removal 80
  - spare part number 24, 34, 80

- Rubber Kit, spare part
  - number 27, 37, 40
- run-in test 100

## S

- SATA (Serial Advanced Technology Attachment) devices
  - AHCI (Advanced Host Controller Interface) 101
  - IDE (Integrated Drive Electronics) 101
- Screw Kit
  - contents 117
  - spare part number 32, 37, 40
- screw listing 117
- Secondary Battery Fast Charge 102
- security cable slot 14
- Security menu
  - allow reset of HP ProtectTools security keys 99
  - always prompt for HP SpareKey enrollment 99
  - Automatic DriveLock 99
  - change password 99
  - Disk Sanitizer 99
  - DriveLock 99
  - fingerprint reader reset 99
  - HP Sparekey 99
  - HP Sparekey enrollment 99
  - password policy 99
  - set up BIOS administrator password 99
  - System IDs 99
  - user management 99
- security, product description 6
- service considerations 42
- service tag, location 17, 48
- serviceability, product description 7
- set security level 103
- setup utility
  - Diagnostics menu 100
  - File menu 98
  - navigating and selecting 96
  - restoring factory settings 96
  - Security menu 99
  - System Configuration menu 101

- Speaker Kit, spare part
  - number 37
- speakers
  - location 12
  - removal 66
  - spare part number 21, 40, 66
- specifications
  - Blu-ray Disc ROM Combo Drive 110
  - computer 104
  - display 105
  - DVD-ROM Drive 107
  - DVD/CD-RW Combo Drive 111
  - DVD±RW Combo Drive 109
  - DVD±RW Double-Layer Drive with LightScribe 108
  - hard drive 106
  - I/O addresses 114
  - interrupts 113
  - memory map 116
  - optical drive 107, 108, 109, 110, 111
  - system DMA 112
- start-up test 100
- static-shielding materials 46
- switch cover
  - removal 61
  - spare part number 19, 38, 41, 61
- switches, internal display 12
- system board
  - removal 83
  - spare part numbers 23, 36, 40, 41, 83
- System Configuration menu 101
- system date and time 98
- System Diagnostics menu 100
- system DMA 112
- system fan 101
- system IDs 99
- system information 98
- system memory map 116

## T

- Thermal Material kit, spare part numbers 24
- thermal material, replacement 89, 90, 91

- thermal module, spare part
  - number 22, 40, 41
- tools required 42
- top components 9
- top cover
  - removal 74
  - spare part number 21, 36, 74
- TouchPad
  - board 22
  - bracket 22
  - buttons 10
  - cable 22
  - components 10
  - scroll zone 10
  - spare part number 22
- TPM Embedded Security 99
- transporting guidelines 45
- TXT (Intel® Trusted Execution Technology) 102

- wireless light 11
- wireless, product description 5
- WLAN module
  - removal 54
  - spare part numbers 24, 34, 54
- WLAN module compartment 16
- WLAN module compartment cover
  - illustrated 28
  - removal 56
- workstation guidelines 45

## U

- Unified Extensible Firmware Interface (UEFI) mode 102
- unknown password 47
- USB cable,
  - illustrated 29
  - spare part number 29
- USB connector module,
  - removal 77
- USB legacy support 95, 101
- USB port
  - location 14, 15
  - pin assignments 149

## V

- vents 15, 16
- Virtualization Technology 102

## W

- webcam module, spare part
  - number 36
- webcam, spare part number 19, 40
- Windows applications key 13
- Windows Backup utility 144, 145
- Windows logo key 13
- Windows recovery 141, 145
- wireless antenna,
  - disconnecting 56
- wireless button 11

