

**Drives**  
**User Guide**

© Copyright 2008 Hewlett-Packard  
Development Company, L.P.

Windows is U.S. registered trademark of  
Microsoft Corporation.

The information contained herein is subject  
to change without notice. The only  
warranties for HP products and services are  
set forth in the express warranty statements  
accompanying such products and services.  
Nothing herein should be construed as  
constituting an additional warranty. HP shall  
not be liable for technical or editorial errors  
or omissions contained herein.

First Edition: September 2008

Document Part Number: 486591-001

#### **Product notice**

This user guide describes features that are  
common to most models. Some features  
may not be available on your computer.

---

# Table of contents

## 1 Handling drives

### 2 Using an optical drive (select models only)

Identifying the installed optical drive .....	2
Using optical discs (CDs and DVDs) .....	3
Selecting the right disc .....	4
CD-R discs .....	4
CD-RW discs .....	4
DVD±R discs .....	4
DVD±RW discs .....	4
Playing a CD or DVD .....	5
Configuring AutoPlay .....	6
Changing DVD region settings .....	7
Observing the copyright warning .....	8
Copying a CD or DVD .....	9
Creating or “burning” a CD or DVD .....	10
Removing an optical disc (CD or DVD) .....	11

### 3 Using external drives

### 4 Using HP 3D DriveGuard

Identifying HP 3D DriveGuard status .....	14
Using HP 3D DriveGuard software .....	15

### 5 Improving hard drive performance

Using Disk Defragmenter .....	16
Using Disk Cleanup .....	16

### 6 Replacing a hard drive

Replacing a 1.8-inch hard drive .....	18
Replacing a 2.5-inch hard drive .....	23

### 7 Troubleshooting

The optical disc tray does not open for removal of a CD or DVD .....	30
The computer does not detect the optical drive .....	30
A disc does not play .....	32
A disc does not play automatically .....	33
The process of burning a disc does not begin, or it stops before completion .....	34
A device driver must be reinstalled .....	35
Obtaining Microsoft device drivers .....	35
Obtaining HP device drivers .....	35

<b>Index .....</b>	<b>36</b>
--------------------	-----------

---

# 1 Handling drives

Drives are fragile computer components that must be handled with care. Refer to the following cautions before handling drives. Additional cautions are included with the procedures to which they apply.

△ **CAUTION:** To reduce the risk of damage to the computer, damage to a drive, or loss of information, observe these precautions:

Before you move a computer that is connected to an external hard drive, initiate Standby and allow the screen to clear, or properly disconnect the external hard drive.

Before handling a drive, discharge static electricity by touching the unpainted metal surface of the drive.

Do not touch the connector pins on a removable drive or on the computer.

Handle a drive carefully; do not drop a drive or place items on it.

Before removing or inserting a drive, shut down the computer. If you are unsure whether the computer is off, in Standby, or in Hibernation, turn the computer on, and then shut it down through the operating system.

Do not use excessive force when inserting a drive into a drive bay.

Do not type on the keyboard or move the computer while the optical drive(select models only) is writing to a disc. The write process is sensitive to vibration.

When the battery is the only source of power, be sure that the battery is sufficiently charged before writing to media.

Avoid exposing a drive to temperature or humidity extremes.

Avoid exposing a drive to liquids. Do not spray the drive with cleaning products.

Remove media from a drive before removing the drive from the drive bay, or traveling with, shipping, or storing a drive.

If a drive must be mailed, place the drive in a bubble-pack mailer or other suitable protective packaging and label the package "FRAGILE."

Avoid exposing a drive to magnetic fields. Security devices with magnetic fields include airport walk-through devices and security wands. The airport security devices that check carry-on luggage, such as conveyor belts, use x-rays instead of magnetism and will not damage a drive.

---

---

## 2 Using an optical drive (select models only)

Your computer includes an optical drive that expands the functionality of the computer. Identify what kind of device is installed in your computer to see its capabilities. The optical drive allows you to read data discs, play music, and watch movies.


### Identifying the installed optical drive

- ▲ Select **Start > My Computer**.


You will see a list of all the devices installed on your computer, including your optical drive. You may have one of the following types of drives:

- DVD-ROM Drive
- DVD±RW SuperMulti Double-Layer (DL) Drive

---

 **NOTE:** Double-layer discs can store more data than single-layer discs. However, double-layer discs burned with this drive may not be compatible with many existing single-layer DVD drives and players.

---


 **NOTE:** Some of the drives listed above may not be supported by your computer.

---

## Using optical discs (CDs and DVDs)

An optical drive, such as a DVD-ROM drive, supports optical discs (CDs and DVDs). These discs store information, such as music, photos, and movies. DVDs have a higher storage capacity than CDs.

Your optical drive can read standard CD and DVD discs.

 **NOTE:** Some of the optical drives listed may not be supported by your computer. The listed drives are not necessarily all of the supported optical drives.


Some optical drives can also write to optical discs as described in the following table.

Optical drive type	Write to CD-RW	Write to DVD*	Write label to LightScribe CD or DVD	Write to BD R/RE
DVD-ROM Drive	Yes	No	No	No
DVD±RW SuperMulti DL Drive	Yes	Yes	No	No

\*Includes DVD+R DL, DVD±RW/R, and DVD-RAM.

## Selecting the right disc

An optical drive supports optical discs (CDs and DVDs). CDs, used to store digital data, are also used for commercial audio recordings and are convenient for your personal storage needs. DVDs are used primarily for movies, software, and data backup purposes. DVDs are the same form factor as CDs but have at least 8 times the storage capacity.

 **NOTE:** The optical drive on your computer may not support all the types of optical discs discussed in this section.

---

### CD-R discs

Use CD-R (write-once) discs to create permanent archives and to share files with virtually anyone. Typical uses include the following:

- Distributing large presentations
- Sharing scanned and digital photos, video clips, and written data
- Making your own music CDs
- Keeping permanent archives of computer files and scanned home records
- Offloading files from your hard drive to free up disk space

After data is recorded, it cannot be erased or written over.

### CD-RW discs

Use a CD-RW disc (a rewritable version of a CD) to store large projects that must be updated frequently. Typical uses include the following:

- Developing and maintaining large documents and project files
- Transporting work files
- Making weekly backups of hard drive files
- Updating photos, video, audio, and data continuously

### DVD±R discs

Use blank DVD±R discs to permanently store large amounts of information. After data is recorded, it cannot be erased or written over.


### DVD±RW discs

Use DVD±RW discs if you want to be able to erase or write over data that you saved earlier. This type of disc is ideal for testing audio or video recordings before you burn them to a CD or DVD that cannot be changed.

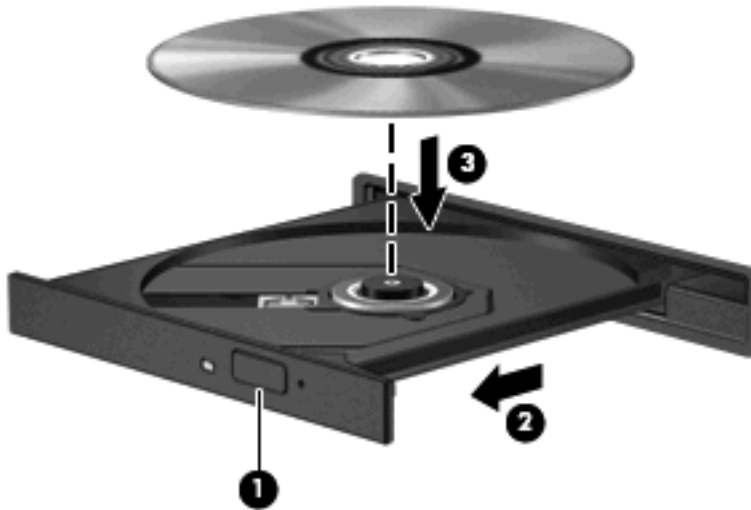


## Playing a CD or DVD

1. Turn on the computer.
2. Press the release button (1) on the drive bezel to release the disc tray.
3. Pull out the tray (2).
4. Hold the disc by the edges to avoid touching the flat surfaces and position the disc label-side up over the tray spindle.

 **NOTE:** If the tray is not fully accessible, tilt the disc carefully to position it over the spindle.

5. Gently press the disc (3) down onto the tray spindle until the disc snaps into place.




6. Close the disc tray.

If you have not yet configured AutoPlay, as described in the following section, an AutoPlay dialog box opens. It prompts you to select how you want to use the media content.

## Configuring AutoPlay

1. Select **Start > My Computer**.
2. Right-click the device (such as CD-ROM), and then click **Properties**.
3. Click the **AutoPlay** tab, and then select one of the available actions.
4. Click **OK**.

---

 **NOTE:** For more information about AutoPlay, refer to Help and Support.

# Changing DVD region settings

Most DVDs that contain copyrighted files also contain region codes. The region codes help protect copyrights internationally.

You can play a DVD containing a region code only if the region code on the DVD matches the region setting on your DVD drive.

---

△ **CAUTION:** The region settings on your DVD drive can be changed only 5 times.

The region setting you select the fifth time becomes the permanent region setting on the DVD drive.

The number of region changes remaining is displayed on the DVD Region tab.

---

To change settings through the operating system:

1. Select **Start > My Computer**.
2. Right-click in the window, and select **Properties > Hardware tab > Device Manager**.
3. Click the "+" sign next to **DVD/CD-ROM drives**.
4. Right-click the DVD drive for which you want to change region settings, and then click **Properties**.
5. Click the **DVD Region** tab, and change settings.
6. Click **OK**.

## Observing the copyright warning

It is a criminal offense, under applicable copyright laws, to make unauthorized copies of copyright-protected material, including computer programs, films, broadcasts, and sound recordings. Do not use this computer for such purposes.

---

△ **CAUTION:** To prevent loss of information or damage to a disc, observe the following guidelines:

Before writing to a disc, connect the computer to a reliable external power source. Do not write to a disc while the computer is running on battery power.

Before writing to a disc, close all open programs except the disc software you are using.

Do not copy directly from a source disc to a destination disc or from a network drive to a destination disc.

Do not use the computer keyboard or move the computer while the computer is writing to a disc. The write process is sensitive to vibration.

📄 **NOTE:** For details about using software included with the computer, refer to the software manufacturer's instructions, which may be provided with the software, on disc, or on the manufacturer's Web site.

---

## Copying a CD or DVD

1. Select **Start > All Programs > Roxio > Creator Business**.
2. In the right pane, click **Copy Disc**.
3. Insert the disc you want to copy into the optical drive.
4. Click **Copy** at the bottom right of the screen.

Creator Business reads the source disc and copies the data to a temporary folder on your hard drive.

5. When prompted, remove the source disc from the optical drive and insert a blank disc into the drive.

After the information is copied, the disc you created is ejected automatically.

## Creating or “burning” a CD or DVD

△ **CAUTION:** Observe the copyright warning. It is a criminal offense, under applicable copyright laws, to make unauthorized copies of copyright-protected material, including computer programs, films, broadcasts, and sound recordings. Do not use this computer for such purposes.

If your computer includes a DVD+/-RW optical drive, you can use software such as Windows® Media Player or Roxio Creator Business to burn data and audio files, including MP3 and WAV music files. To burn video files to a CD or DVD, use Windows Movie Maker.

Observe the following guidelines when burning a CD or DVD:

- Before burning a disc, save and close any open files and close all programs.
- A CD-R or DVD-R is usually best for burning audio files because after the information is copied, it cannot be changed.
- Because some home and car stereos will not play CD-RWs, use CD-Rs to burn music CDs.
- A CD-RW or DVD-RW is generally best for burning data files or for testing audio or video recordings before you burn them to a CD or DVD that cannot be changed.
- DVD players used in home systems usually do not support all DVD formats. Refer to the user guide that came with your DVD player for a list of supported formats.
- An MP3 file uses less space than other music file formats, and the process for creating an MP3 disc is the same as the process for creating a data file. MP3 files can be played only on MP3 players or on computers with MP3 software installed.


To burn a CD or DVD, follow these steps:

1. Download or copy the source files into a folder on your hard drive.
2. Insert a blank disc into the optical drive.
3. Select **Start > All Programs** and the name of the software you want to use.
4. Select the kind of disc you want to create—data, audio, or video.
5. Right-click **Start > Explore** and navigate to the folder where the source files are stored.
6. Open the folder, and then drag the files to the drive that contains the blank disc.
7. Initiate the burning process as directed by the program you have selected.

For specific instructions, refer to the software manufacturer's instructions. These instructions may be provided with the software, on disc, or on the manufacturer's Web site.

## Removing an optical disc (CD or DVD)

1. Press the release button (1) on the drive bezel to release the disc tray, and then gently pull out the tray (2) until it stops.
2. Remove the disc (3) from the tray by gently pressing down on the spindle while lifting the outer edges of the disc. Hold the disc by the edges and avoid touching the flat surfaces.

 **NOTE:** If the tray is not fully accessible, tilt the disc carefully as you remove it.



3. Close the disc tray and place the disc in a protective case.

---


## 3 Using external drives

Removable external drives expand your options for storing and accessing information. A USB drive can be added by connecting the drive to a USB port on the computer or on an optional docking device.

USB drives include the following types:


- 1.44-megabyte diskette drive
- Hard drive module (a hard drive with an adapter attached)
- DVD-ROM Drive
- DVD/CD-RW Combo Drive
- DVD+RW and CD-RW Combo Drive
- DVD±RW and CD-RW Combo Drive

---

 **NOTE:** For more information about required software and drivers, or to learn which computer port to use, refer to the manufacturer's instructions.

---

To connect an external drive to the computer:

 **CAUTION:** To reduce the risk of damage to the equipment when connecting a powered drive, be sure that the AC power cord is unplugged.

---

1. Connect the drive to the computer.
2. If you are connecting a powered drive, plug the drive power cord into a grounded AC outlet.

To disconnect a powered drive, disconnect it from the computer, and then unplug the AC power cord.



---


## 4 Using HP 3D DriveGuard

HP 3D DriveGuard protects the hard drive by parking the drive and halting I/O requests under either of the following conditions:

- You drop the computer.
- You move the computer with the display closed while the computer is running on battery power.

A short time after the end of one of these events, HP 3D DriveGuard returns the hard drive to normal operation.

---

 **NOTE:** Hard drives installed in optional docking devices or connected to USB ports are not protected by HP 3D DriveGuard.

---

Because solid-state drives lack rotating parts, protection by HP 3D DriveGuard is unnecessary.

For more information, refer to the HP 3D DriveGuard software Help.

## Identifying HP 3D DriveGuard status

The drive light on the computer changes to an amber color to show that the drive is parked. To determine whether drives are currently protected or whether a drive is parked, use the icon in the notification area, at the far right of the taskbar:

- If the software is enabled, a green check mark is superimposed over the hard drive icon.
- If the software is disabled, a red X is superimposed over the hard drive icon.
- If the drives are parked, a yellow moon is superimposed over the hard drive icon.

If HP 3D DriveGuard has parked the drive, the computer will behave in the following ways:

- The computer will not shut down.
- The computer will not initiate Standby or Hibernation, except as described in the following Note.



---

**NOTE:** If the computer is running on battery power and reaches a critical battery level, HP 3D DriveGuard allows the computer to initiate Hibernation.

---


- The computer will not activate battery alarms set on the Alarms tab in Power Options Properties.

Before you move the computer, HP recommends that you either shut it down or initiate Standby or Hibernation.

# Using HP 3D DriveGuard software

The HP 3D DriveGuard software enables you to perform the following tasks:

- Enable and disable HP 3D DriveGuard.

 **NOTE:** Permission to enable or disable HP 3D DriveGuard is dependent on certain user privileges. Members of an Administrator group can change privileges for non-Administrator users.

- Determine whether a drive in the system is supported.
- Hide or show the icon in the notification area.

To open the software and change settings, follow these steps:

1. Double-click the icon in the notification area, at the far right of the taskbar.  
– or –  
Right-click the icon in the notification area, and then select **Settings**.
2. Click the appropriate button to change settings.
3. Click **OK**.

---

## 5 Improving hard drive performance

### Using Disk Defragmenter

As you use the computer, files on the hard drive become fragmented. Disk Defragmenter consolidates the fragmented files and folders on the hard drive so that the system can run more efficiently.

After you start Disk Defragmenter, it works without supervision. Depending on the size of your hard drive and the number of fragmented files, Disk Defragmenter may take more than an hour to complete. You may want to set it to run during the night or another time when you do not need access to your computer.

HP recommends defragmenting your hard drive at least once a month. You may set Disk Defragmenter to run on a monthly schedule, but you can defragment your computer manually at any time.

To run Disk Defragmenter:

1. Select **Start > All Programs > Accessories > System Tools > Disk Defragmenter**.
2. Under **Volume**, click the listing for the hard drive, usually listed as (C:), and then click **Defragment**.

For additional information, access the Disk Defragmenter software Help.

### Using Disk Cleanup

Disk Cleanup searches the hard drive for unnecessary files that you can safely delete to free up disk space and help the computer to run more efficiently.

To run Disk Cleanup:

1. Select **Start > All Programs > Accessories > System Tools > Disk Cleanup**.
2. Follow the on-screen instructions.

---

## 6 Replacing a hard drive

Your computer is equipped with either a 1.8-inch hard drive or a 2.5-inch hard drive. The replacement procedures vary, depending on computer model.

---

△ **CAUTION:** To prevent information loss or an unresponsive system:

Shut down the computer before removing the hard drive from the hard drive bay. Do not remove the hard drive while the computer is on, in Standby, or in Hibernation.

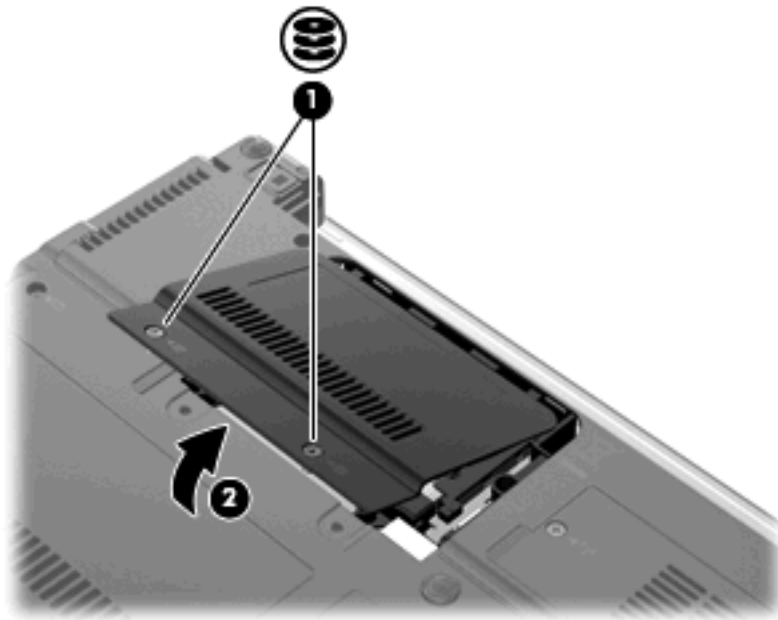
If you are not sure whether the computer is off or in Hibernation, turn the computer on by pressing the power button. Then shut down the computer through the operating system.

---

## Replacing a 1.8-inch hard drive

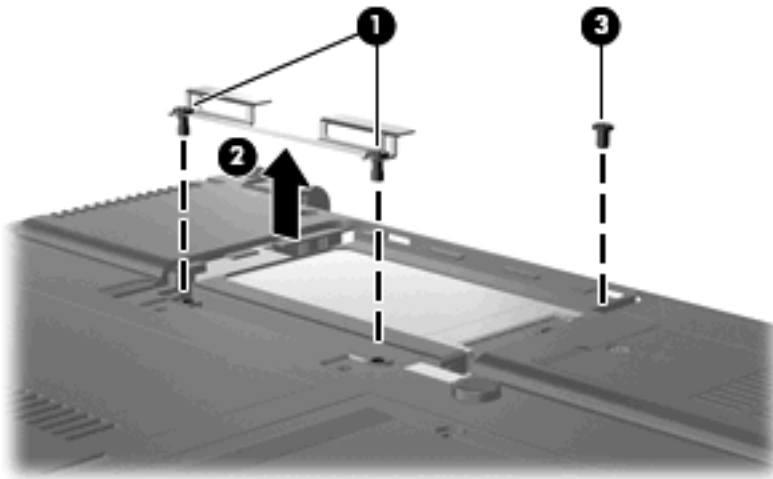
To remove a 1.8-inch hard drive:

1. Save your work.
2. Shut down the computer and close the display.
3. Disconnect all external hardware devices connected to the computer.
4. Unplug the power cord from the AC outlet.
5. Turn the computer upside down on a flat surface, with the hard drive bay toward you.
6. Remove the battery from the computer.
7. Loosen the 2 hard drive cover screws **(1)**.
8. Lift the hard drive cover away from the computer **(2)**.



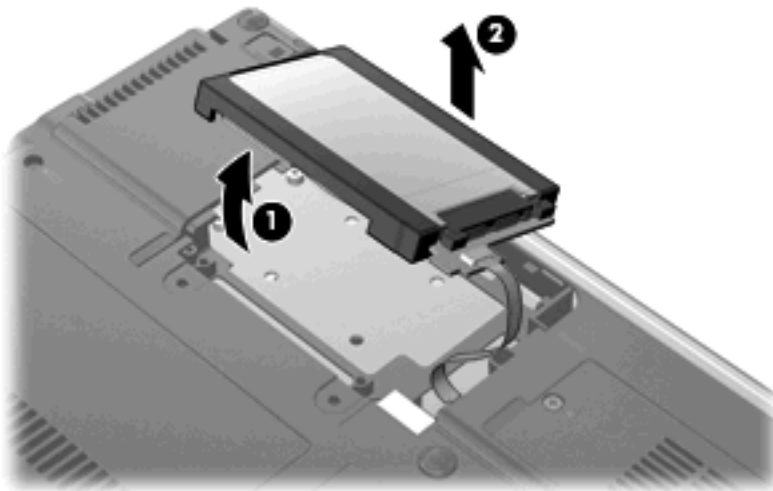
9. Remove the two hard drive retention bracket screws **(1)**.
10. Remove the hard drive retention bracket **(2)**.

11. Remove the hard drive screw (3).

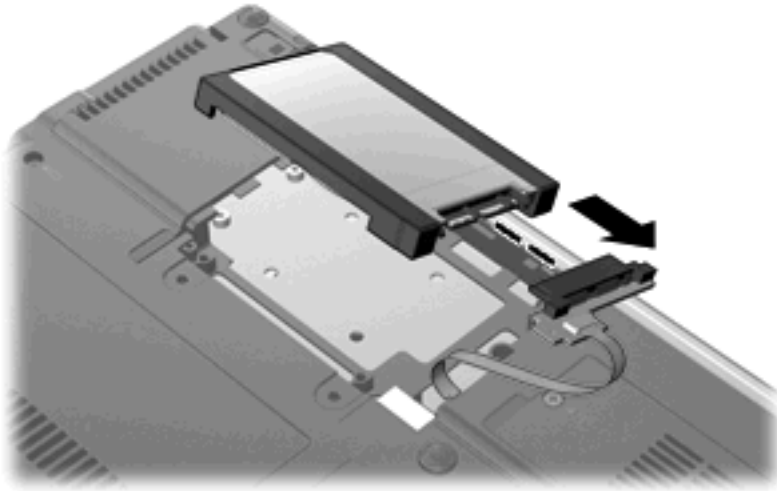


12. Tilt the hard drive away from the hard drive bay (1).

13. Lift the hard drive out of the hard drive bay (2).

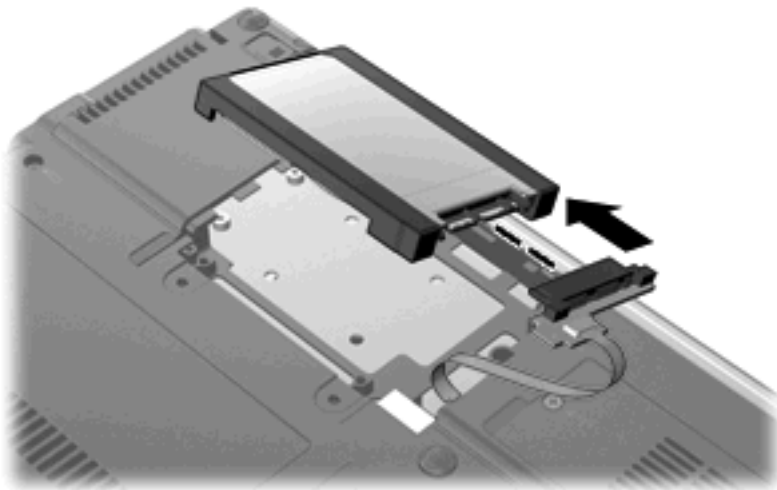


14. Gently disconnect hard drive cable from the hard drive.



To install a 1.8-inch hard drive:

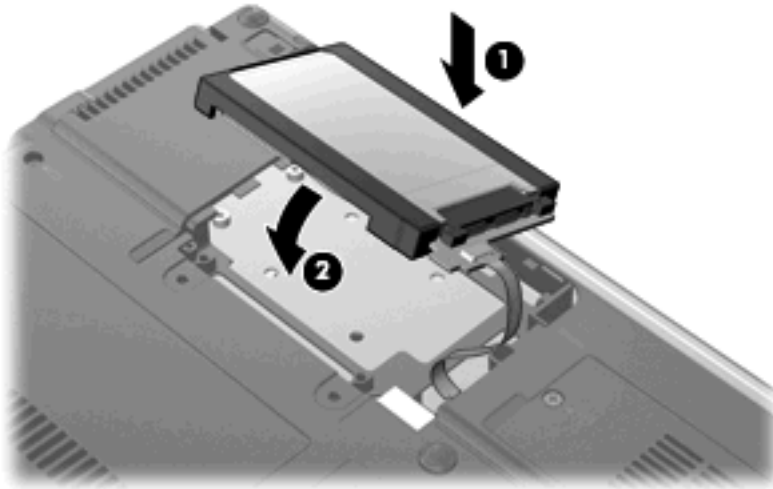
1. Insert the hard drive cable into the hard drive cable connector and press in gently until the cable is firmly seated.



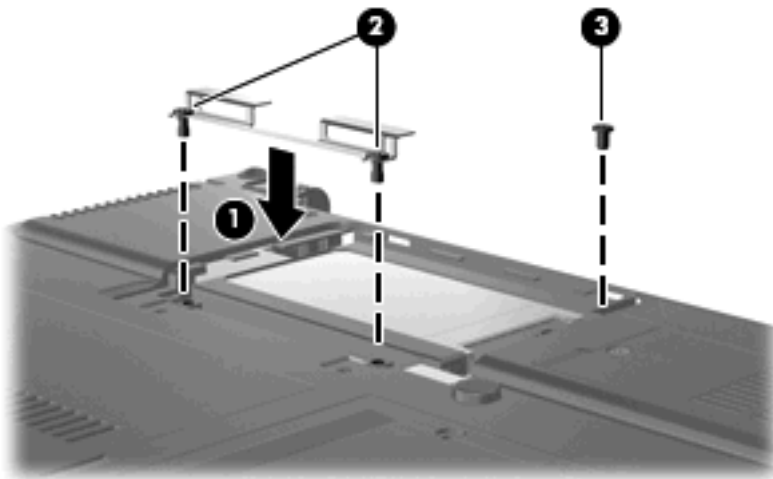
2. Insert the hard drive into the hard drive bay (1).



3. Tilt the hard drive down until it is firmly seated (2).

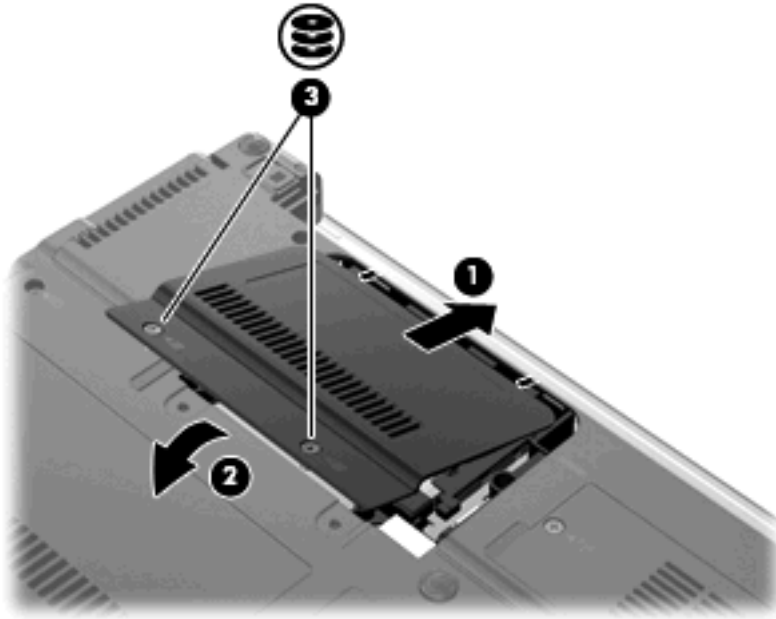


4. Replace the hard drive retention bracket (1).
5. Replace the hard drive retention bracket screws (2).
6. Replace the hard drive screw (3).



7. Align the tabs (1) on the hard drive cover with the notches on the computer.
8. Replace the cover (2).

9. Tighten the hard drive cover screws (3).

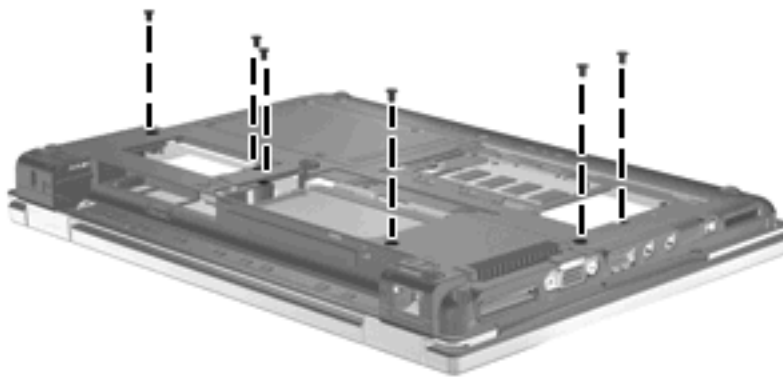


10. Reinstall the battery.
11. Turn the computer right-side up, and then reconnect external power and external devices.
12. Turn on the computer.

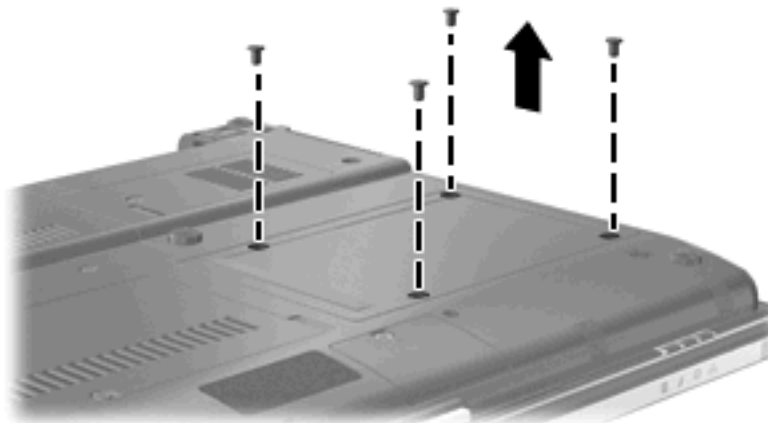
## Replacing a 2.5-inch hard drive

To replace a 2.5-inch hard drive:

1. Save your work.
2. Shut down the computer and close the display.
3. Disconnect all external hardware devices connected to the computer.
4. Unplug the power cord from the AC outlet.
5. Turn the computer upside down on a flat surface, with the hard drive bay toward you.
6. Remove the battery from the computer.
7. Remove the 6 keyboard access screws.

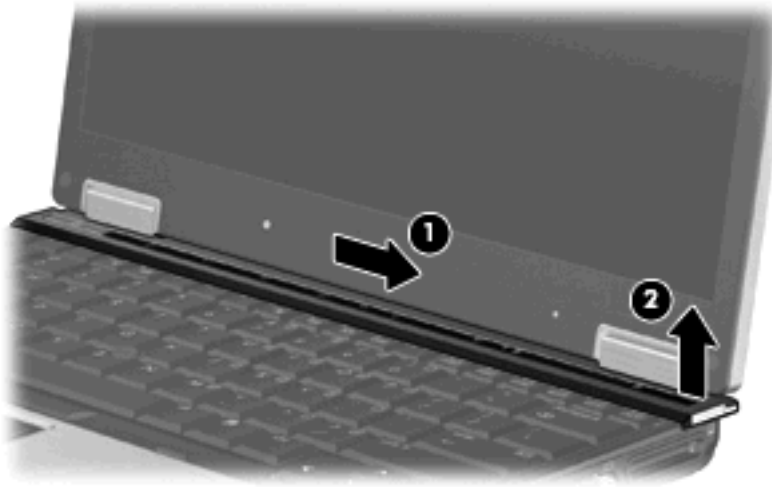


8. Remove the 4 hard drive screws.




9. Turn the computer right-side up and open it.

10. Carefully slide the switch cover to the right (1) to release the switch cover hooks, and then lift the switch cover away from the keyboard (2).



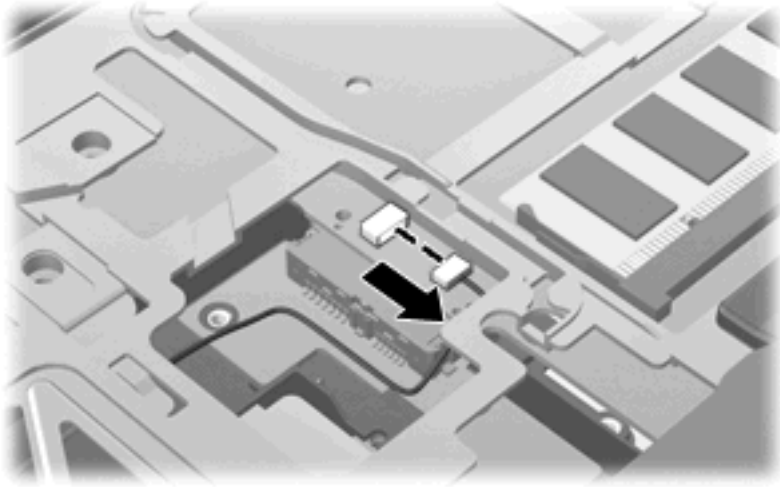
11. Carefully lift the top edge of the keyboard and tilt the keyboard over until it rests on the palm rest of the computer.

 **NOTE:** If the left side of the keyboard releases before the right side, pull the keyboard slightly to the left to release the right side.


---

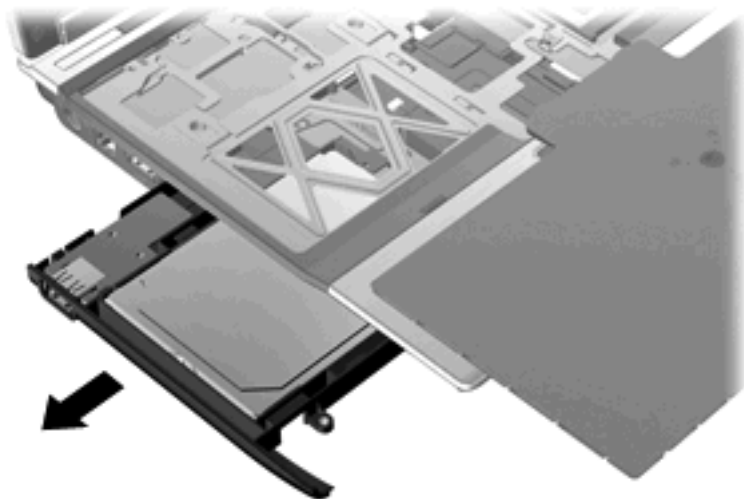


12. Gently disconnect the USB cable from the USB connector.




13. Remove the hard drive from the hard drive bay.

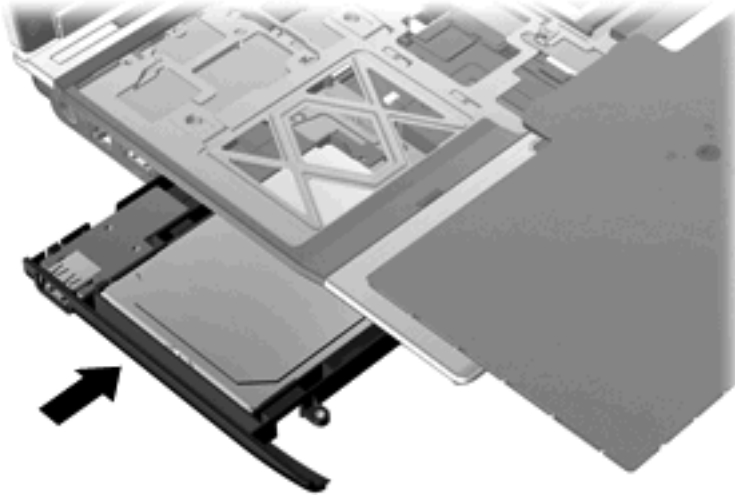
 **NOTE:** Be sure that the USB cable is free from obstructions as you remove the hard drive.



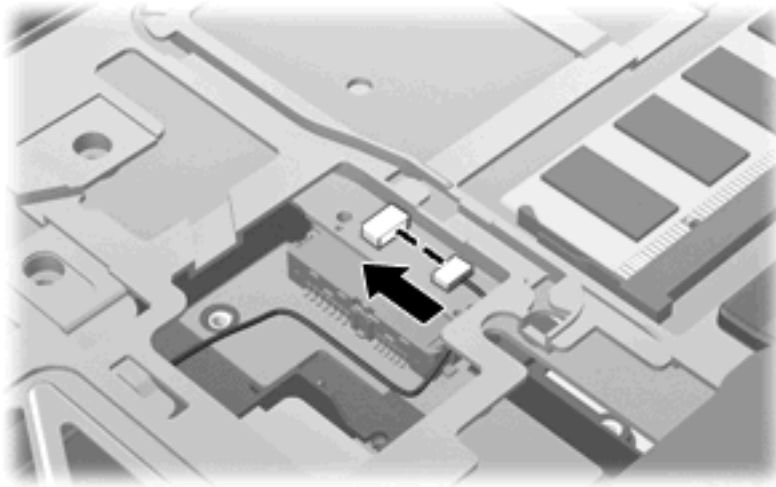
To install a 2.5-inch hard drive:

1. Insert the hard drive into the hard drive bay until it is firmly seated.

 **NOTE:** As you insert the drive, be sure that the USB cable is tucked into the hard drive cage and is free from obstructions.




2. Insert the USB cable into USB cable connector, and press in gently until the cable is firmly seated.

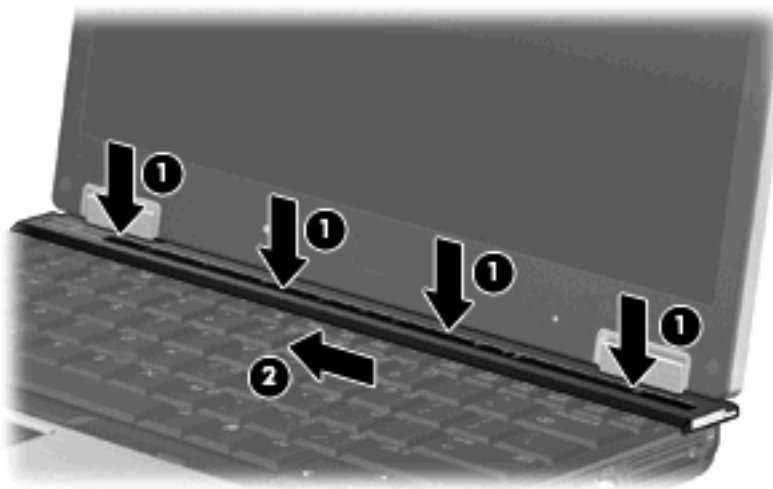


3. Replace the keyboard.



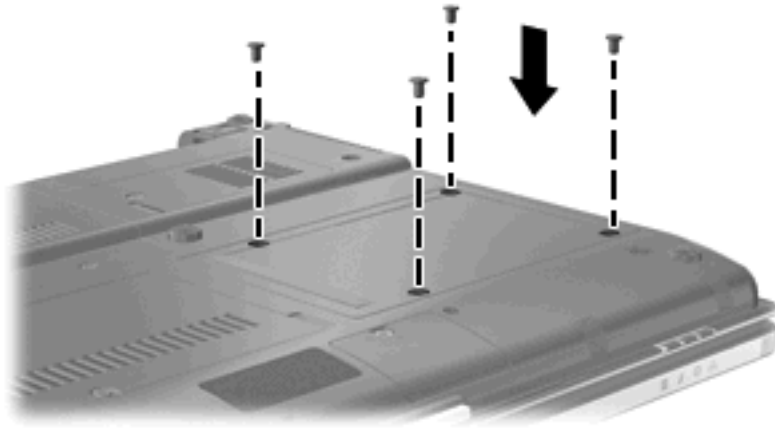
4. Press down on the 4 switch cover locations (1) making sure that the switch cover hooks are engaged, and then slide the switch cover to the left (2).

 **NOTE:** If there are bumps or raised areas on the switch cover, remove the switch cover and repeat this step.

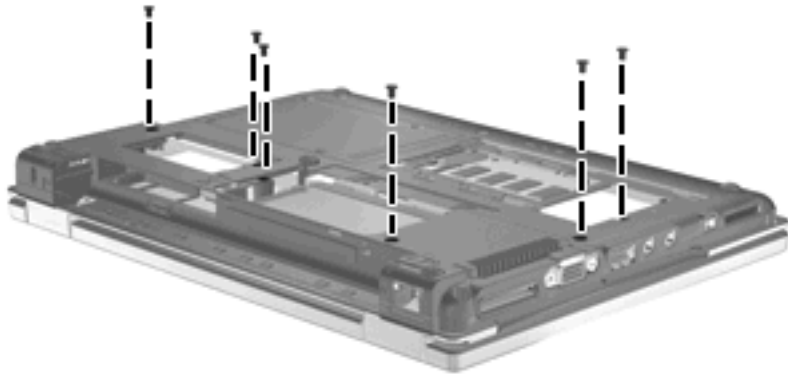


5. Turn the computer upside down on a flat surface.

6. Replace the 4 hard drive screws.



7. Replace the 6 keyboard access screws.



8. Replace the battery.
9. Turn the computer right-side up, and then reconnect external power and external devices.
10. Turn on the computer.




---

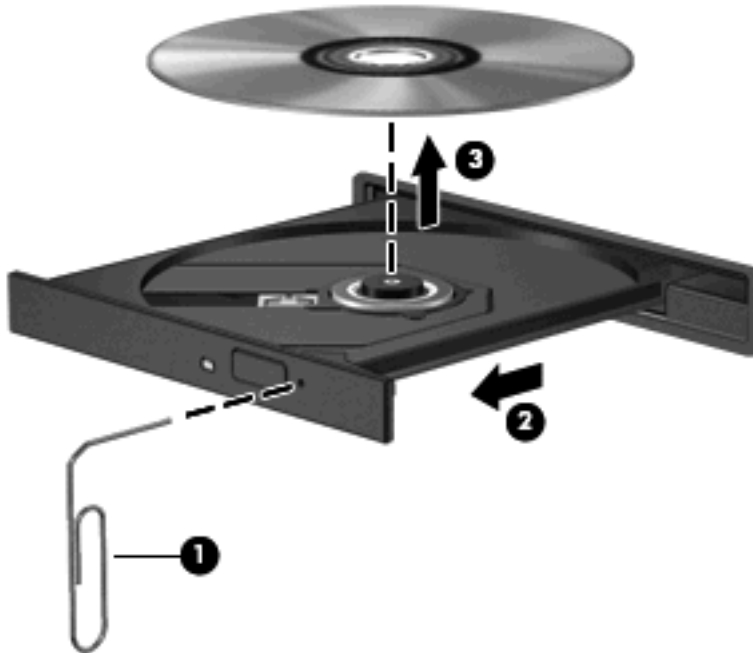
# 7 Troubleshooting

The following sections describe several common issues and resolutions.

## The optical disc tray does not open for removal of a CD or DVD

1. Insert the end of a paper clip (1) into the release access in the front bezel of the drive.
2. Press in gently on the paper clip until the tray is released, and then pull out the tray (2) until it stops.
3. Remove the disc (3) from the tray by gently pressing down on the spindle while lifting the outer edges of the disc. Hold the disc by the edges and avoid touching the flat surfaces.

 **NOTE:** If the tray is not fully accessible, tilt the disc carefully as you remove it.



4. Close the disc tray and place the disc in a protective case.

## The computer does not detect the optical drive

If the computer does not detect the optical drive, use Device Manager to troubleshoot the device and then update, uninstall, or disable the device driver.

To check your devices and drivers in Device Manager, follow these steps:

1. Remove any discs from the optical drive.
2. Select **Start > My Computer**.
3. Right-click in the window and select **Properties > Hardware** tab, and then click **Device Manager**.

4. In the Device Manager window, click the plus sign (+) next to **Disc Drives** or **DVD/CD-ROM drives**, unless a minus sign (-) is already showing. Look for the optical drive listing.
5. Right-click the optical drive listing to perform the following tasks:
  - Update the driver.
  - Disable the device.
  - Uninstall the device.
  - Scan for hardware changes. Windows scans your system for installed hardware and installs any required drivers.
  - Click **Properties** to see if the device is working properly:
    - Click **Troubleshoot** to fix problems.
    - Click the **Driver** tab to update, roll back, or uninstall drivers for this device.

## A disc does not play

- Save your work and close all open programs before playing a CD or DVD.
- Log off the Internet before playing a CD or DVD.
- Be sure that you insert the disc properly.
- Be sure that the disc is clean. If necessary, clean the disc with filtered water and a lint-free cloth. Wipe from the center of the disc to the outer edge.
- Check the disc for scratches. If you find scratches, treat the disc with an optical disc repair kit available at many electronics stores.
- Disable Standby before playing a disc.

Do not initiate Hibernation or Standby while playing a disc. Otherwise, you may see a warning message asking if you want to continue. If this message is displayed, click **No**. After you click No, the computer may behave in either of the following ways:

- Playback may resume.

– or –

- The playback window in the multimedia program may close. To return to playing the disc, click the **Play** button in your multimedia program to restart the disc. In rare cases, you may need to exit the program and then restart it.
- Increase system resources:
  - Turn off external devices such as printers and scanners. This practice frees up valuable system resources and results in better playback performance.

Change desktop color properties. Because the human eye cannot easily tell the difference between colors beyond 16 bits, you should not notice any loss of color while watching a movie if you lower system color properties to 16-bit color, as follows:


1. Right-click anywhere on the desktop except an icon, and then select **Properties > Settings**.
2. Set **Color quality** to **Medium (16 bit)**.

## A disc does not play automatically

1. Click **Start > My Computer**.
2. Right-click the device (such as CD-ROM drive), and then click **Properties**.
3. Click the **AutoPlay** tab, and then select one of the available actions.
4. Click **OK**.

A CD or DVD should now start automatically when it is inserted into the optical drive.

---

 **NOTE:** For more information about AutoPlay, refer to Help and Support.

## The process of burning a disc does not begin, or it stops before completion

- Be sure that all other programs are closed.
- Turn off Standby and Hibernation.
- Be sure that you are using the right kind of disc for your drive. See your user guides for more information about disc types.
- Be sure that the disc is inserted properly.
- Select a slower write speed and try again.
- If you are copying a disc, save the information on the source disc to your hard drive before trying to burn the contents to a new disc, and then burn from your hard drive.
- Reinstall the disc-burning device driver located in the DVD/CD-ROM drives category in Device Manager.

# A device driver must be reinstalled

## Obtaining Microsoft device drivers

You can obtain the latest Windows device drivers by using Microsoft® Update. This Windows feature can be set to automatically check for and install updates for your hardware drivers, as well as for the Windows operating system and other Microsoft products.

To use Microsoft Update:

1. Open your Internet browser and go to <http://www.microsoft.com>.
2. Click **Security & Updates**.
3. Click **Microsoft Update** to get the latest updates for your computer operating system, programs, and hardware.
4. Follow the on-screen instructions to install Microsoft Update.
5. Click **Change settings** and select a time for Microsoft Update to check for updates to the Windows operating system and other Microsoft products.
6. If prompted to do so, restart your computer.

## Obtaining HP device drivers

Follow either of the following procedures to obtain HP device drivers.

To use HP Update:

1. Select **Start > All Programs > HP > HP Update**.
2. On the HP Welcome screen, click **Settings**, and then select a time when the utility should check for software updates on the Web.
3. Click **Next** to immediately check for HP software updates.

To use the HP Web site:

1. Open your Internet browser, and go to <http://www.hp.com/support>.
2. Select your country or region.
3. Click the option for software and driver downloads, and then type your computer model number in the product box.
4. Press **enter**, and then follow the on-screen instructions.

---

# Index

## A

airport security devices 1  
AutoPlay 6

## C

CD  
    burning 10  
    copying 9  
    playing 5  
    removing 11  
CD drive 2, 12  
copyright warning 8

## D

device drivers  
    HP 35  
    Microsoft 35  
    uninstalling, reinstalling 35  
Disk Cleanup software 16  
Disk Defragmenter software 16  
disk performance 16  
diskette drive 12  
drive light 14  
drives  
    caring for 1  
    diskette 12  
    DVD ROM Drive 3  
    DVD±RW SuperMulti DL  
        Drive 3  
    external 12  
    hard 12, 17, 20  
    optical 2, 12  
    *See also* hard drive; optical drive  
DVD  
    burning 10  
    changing region setting 7  
    copying 9  
    playing 5  
    removing 11  
DVD drive 2, 12

DVD region settings 7

## E

external drive 12

## H

hard disk drive  
    external 12  
    HP 3D DriveGuard 13  
    installing 20  
    replacing 17  
hard drive  
    external 12  
    HP 3D DriveGuard 13  
    installing 20  
    replacing 17  
HP 3D DriveGuard 13

## L

light, drive 14

## M

maintenance  
    Disk Cleanup 16  
    Disk Defragmenter 16

## O

optical disc  
    removing 11  
    using 4  
optical drive 2, 12  
optical drive detection 30

## R

region codes, DVD 7

## S

software  
    Disk Cleanup 16  
    Disk Defragmenter 16

## T

troubleshooting  
    AutoPlay 33  
    burning discs 34  
    device drivers 35  
    disc play 32  
    optical disc tray 30  
    optical drive detection 30



