

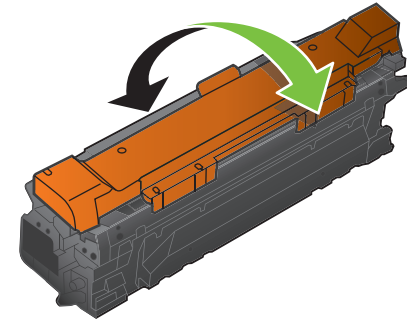
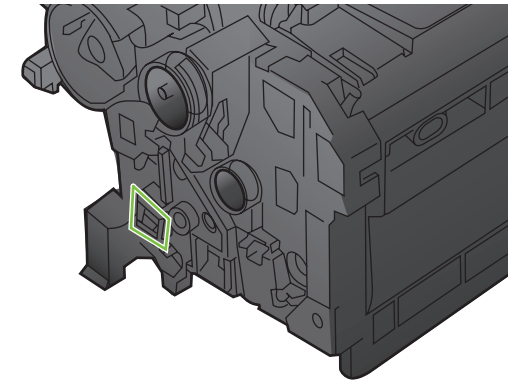


How do I?

Steps to perform

NOTE: Be careful not to damage the memory tag on the print cartridge.

- 5 Grasp both sides of the print cartridge and distribute the toner by gently rocking the print cartridge.





How do I?

Steps to perform

- 6 Remove the orange protective cover from the print cartridge. Place the protective cover on the used print cartridge to protect it during shipping.

CAUTION: Avoid prolonged exposure to light.

CAUTION: Do not touch the green roller. Doing so can damage the cartridge.

- 7 Align the print cartridge with its slot and insert the print cartridge until it clicks into place.

- 8 Close the front door.

