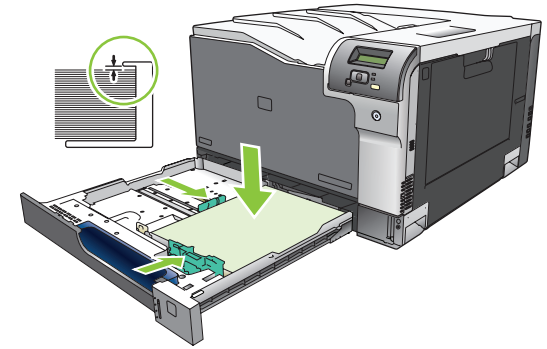




How do I?

Steps to perform

4 Push down on the paper to make sure that the paper stack is below the paper limit tabs on the side of the tray.



5 Slide the tray into the product.

