

Multimedia User Guide

© Copyright 2009 Hewlett-Packard
Development Company, L.P.

The information contained herein is subject to change without notice. The only warranties for HP products and services are set forth in the express warranty statements accompanying such products and services. Nothing herein should be construed as constituting an additional warranty. HP shall not be liable for technical or editorial errors or omissions contained herein.

First Edition: June 2009

Document Part Number: 534279-001

Product notice

This user guide describes features that are common to most models. Some features may not be available on your computer.

Table of contents

1 Multimedia features

Identifying your multimedia components	2
Adjusting the volume	3

2 Multimedia software

Using preinstalled multimedia software	5
Installing multimedia software from a disc	6

3 Audio

Connecting external audio devices	8
Checking your audio functions	9

4 Video

Using the external monitor port	11
---------------------------------------	----

5 Optical drive

Identifying the installed optical drive	12
Using optical discs (CDs and DVDs)	13
Selecting the right disc (CDs and DVDs)	14
CD-R discs	14
CD-RW discs	14
DVD±R discs	14
DVD±RW discs	14
LightScribe DVD+R discs	14
Playing music	15
Watching a movie	16
Observing the copyright warning	17
Copying or creating a CD or DVD	18
Removing an optical disc (CD or DVD)	19
The optical disc tray does not open for removal of a CD or DVD	20


6 Webcam (select models only)

Index	22
-------------	----

1 Multimedia features

Your computer includes multimedia features that allow you to listen to music, watch movies, and view pictures. Your computer may include the following multimedia components:

- Optical drive for playing audio and video discs
- Integrated speakers for listening to music
- Integrated microphone for recording your own audio
- Integrated webcam (select models only) that allows you to capture and share video
- Preinstalled multimedia software that allows you to play and manage your music, movies, and pictures
- Hotkeys that provide fast access to multimedia tasks

 **NOTE:** Your computer may not include all of the components listed.

The following sections explain how to identify and use the multimedia components included with your computer.

Identifying your multimedia components

The following illustration and table describe the multimedia features of the computer.

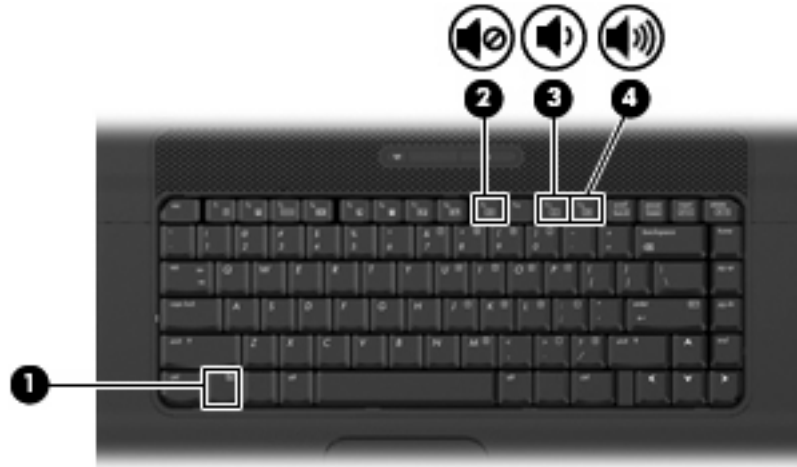


Component	Description
(1) Webcam (select models only)	Records audio and video and captures still photographs.
(2) Speaker	Produces sound.
(3) Audio-out (headphone) jack	Produces sound when connected to optional powered stereo speakers, headphones, ear buds, a headset, or television audio. NOTE: When a device is connected to the headphone jack, the computer speakers are disabled.
(4) Internal microphone	Records sound.
(5) Audio-in (microphone) jack	Connects an optional computer headset microphone, stereo array microphone, or monaural microphone.

Adjusting the volume

You can adjust the volume using the following controls:

- Computer volume hotkey—A combination of the **fn** key (1) and either the **f9** (2), **f11** (3), or **f12** (4) function key:
 - To mute or restore volume, press **fn+f9**.
 - To decrease volume, press **fn+f11**.
 - To increase volume, press **fn+f12**.



- Operating system volume control:
 - a. Click the **Volume** icon in the notification area, at the far right of the taskbar.
 - b. Increase or decrease the volume by moving the slider up or down. Click the **Mute** icon located beneath the slider to mute the volume.– or –
 - a. Right-click the **Volume** icon in the notification area, and then click **Open Volume Control**.
 - b. In the Master column, you can increase or decrease the volume by moving the slider up or down. You can also mute the volume by clicking the **Mute** icon.
- Program volume control:

Volume can also be adjusted within some programs.

2 Multimedia software


Your computer includes preinstalled multimedia software that allows you to play music and view pictures. The following sections provide details about preinstalled multimedia software and installing multimedia software from a disc.

Using preinstalled multimedia software

To locate preinstalled multimedia software, select **Computer > More Applications**, and then open the multimedia program you want to use.

Installing multimedia software from a disc

1. Insert the disc into the optical drive.
2. Follow the software user instructions.
3. Restart the computer if prompted to do so.


 **NOTE:** For details about using software included with the computer, refer to the software manufacturer's instructions, which may be provided with the software, on disc, or on the manufacturer's Web site.

3 Audio

Your computer enables you to use a variety of audio features:


- Play music using your computer speakers and/or connected external speakers
- Record sound using the internal microphone or connect an external microphone
- Download music from the Internet
- Create multimedia presentations using audio and images
- Transmit sound and images with instant messaging programs
- Stream radio programs (select models only) or receive FM radio signals
- Create or “burn” audio CDs (select models only)

Connecting external audio devices

 **WARNING!** To reduce the risk of personal injury, adjust the volume before putting on headphones, earbuds, or a headset. For additional safety information, refer to the *Regulatory, Safety and Environmental Notices*.

To connect external devices such as external speakers, headphones, or a microphone, refer to the information provided with the device. For best results, remember the following tips:

- Be sure that the device cable is securely connected to the correct jack on your computer. (Cable connectors are normally color-coded to match the corresponding jacks on the computer.)
- Be sure to install any drivers required by the external device.

 **NOTE:** A driver is a required program that acts like a translator between the device and the programs that use the device.


Checking your audio functions

To check the system sound on your computer, follow these steps:

1. Select **Computer > Control Center > System > Sound**.
2. Click **Sound**.
3. When the Sound window opens, click the **Sounds** tab.
4. Under the Sounds tab, select the **Device** tab.
5. Under Sound Events, click a **Test** button for a corresponding sound event to test system sound.

To check the record functions of the computer, follow these steps:

1. Select **Computer > More Applications > Sound Recorder**.
2. Click **Record** and speak into the microphone. Save the file to your desktop.
3. To play the sound, select **Computer > More Applications**.
4. Open an audio player, such as Helix Banshee, and play back the sound.

 **NOTE:** For best results when recording, speak directly into the microphone and record sound in a setting free of background noise.

- ▲ To confirm or change the audio settings on your computer, right-click the **Sound** icon on the taskbar.

4 Video

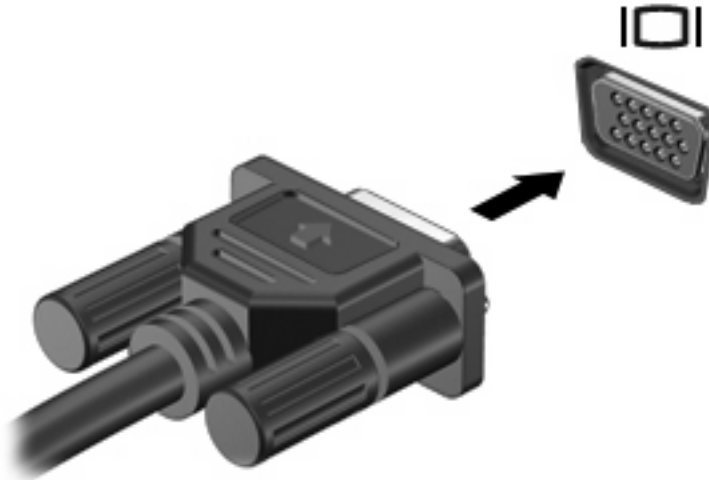
Your computer enables you to use a variety of video features:


- Play games over the Internet
- Edit pictures and video to create presentations
- Connect external video devices

Using the external monitor port

The external monitor port connects an external display device, such as an external monitor or a projector, to the computer.

- ▲ To connect a display device, connect the device cable to the external monitor port.



 **NOTE:** If a properly connected external display device does not display an image, press **fn+f4** to transfer the image to the device. Repeatedly pressing **fn+f4** alternates the screen image between the computer display and the device.


5 Optical drive

Identifying the installed optical drive

- ▲ Select **Computer**, and look under **Status**.

You will see a list of all the devices installed on your computer, including your optical drive. You may have one of the following types of drives:


- DVD-ROM Drive
- DVD±RW SuperMulti Double-Layer (DL) LightScribe Drive

 **NOTE:** Some of the drives listed above may not be supported by your computer.

Using optical discs (CDs and DVDs)

An optical drive, such as a DVD-ROM drive, supports optical discs (CDs and DVDs). These discs store information, such as music, photos, and movies. DVDs have a higher storage capacity than CDs.

Your optical drive can read standard CD and DVD discs.

 **NOTE:** Some of the optical drives listed may not be supported by your computer. The listed drives are not necessarily all of the supported optical drives.


Some optical drives can also write to optical discs as described in the following table.

Optical drive type	Write to CD-RW	Write to DVD*	Write label to LightScribe CD or DVD
DVD/CD-RW Combo Drive	Yes	No	No
DVD±RW SuperMulti DL LightScribe Drive	Yes	Yes	Yes

*Includes DVD+R DL, DVD±RW/R, and DVD-RAM.

Selecting the right disc (CDs and DVDs)

CDs, used to store digital data, are also used for commercial audio recordings and are convenient for your personal storage needs. DVDs are used primarily for movies, software, and data backup purposes. DVDs are the same form factor as CDs but have a much higher storage capacity.

 **NOTE:** The optical drive on your computer may not support all the types of optical discs discussed in this section.

CD-R discs

Use CD-R (write-once) discs to create permanent archives and to share files with virtually anyone. Typical uses include the following:

- Distributing large presentations
- Sharing scanned and digital photos, video clips, and written data
- Making your own music CDs
- Keeping permanent archives of computer files and scanned home records
- Offloading files from your hard drive to free up disk space

After data is recorded, it cannot be erased or written over.

CD-RW discs

Use a CD-RW disc (a rewritable version of a CD) to store large projects that must be updated frequently. Typical uses include the following:

- Developing and maintaining large documents and project files
- Transporting work files
- Making weekly backups of hard drive files
- Updating photos, video, audio, and data continuously

DVD±R discs

Use blank DVD±R discs to permanently store large amounts of information. After data is recorded, it cannot be erased or written over.

DVD±RW discs


Use DVD±RW discs if you want to be able to erase or write over data that you saved earlier. This type of disc is ideal for testing audio or video recordings before you burn them to a CD or DVD that cannot be changed.

LightScribe DVD+R discs

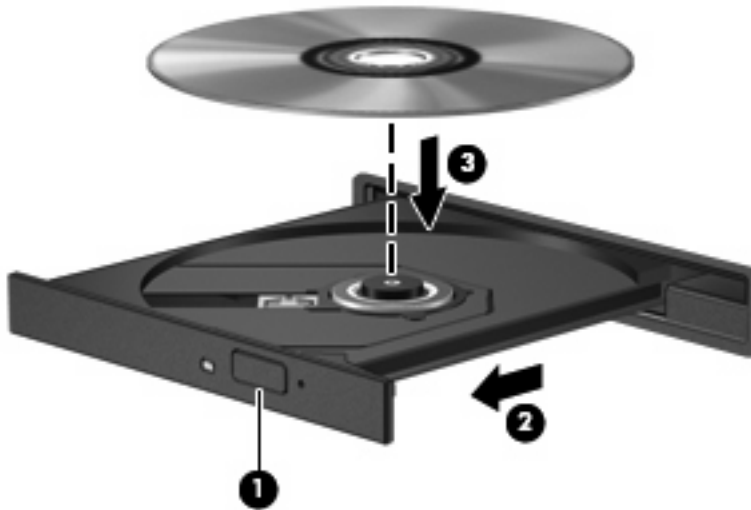
Use LightScribe DVD+R discs for sharing and storing data, home videos, and photos. These discs are read-compatible with most DVD-ROM drives and DVD video players. With a LightScribe-enabled drive and LightScribe software, you can write data to the disc and then add a designer label to the outside of the disc.

Playing music


1. Turn on the computer.
2. Press the release button **(1)** on the drive bezel to release the disc tray.
3. Pull out the tray **(2)**.
4. Hold the disc by the edges to avoid touching the flat surfaces and position the disc label-side up over the tray spindle.

 **NOTE:** If the tray is not fully accessible, tilt the disc carefully to position it over the spindle.

5. Gently press the disc **(3)** down onto the tray spindle until the disc snaps into place.



6. Close the disc tray.
7. Select **Computer > More Applications**.
8. Open an audio player, such as Helix Banshee, to play the disc.

 **NOTE:** After you insert a disc, a short pause is normal.


If Suspend or Hibernation is initiated during playback of a disc, you may experience the following behaviors:

- Your playback may be interrupted.
- You may see a warning message asking if you want to continue. If this message is displayed, click **No**.
- You may need to restart the CD or DVD to resume playback.

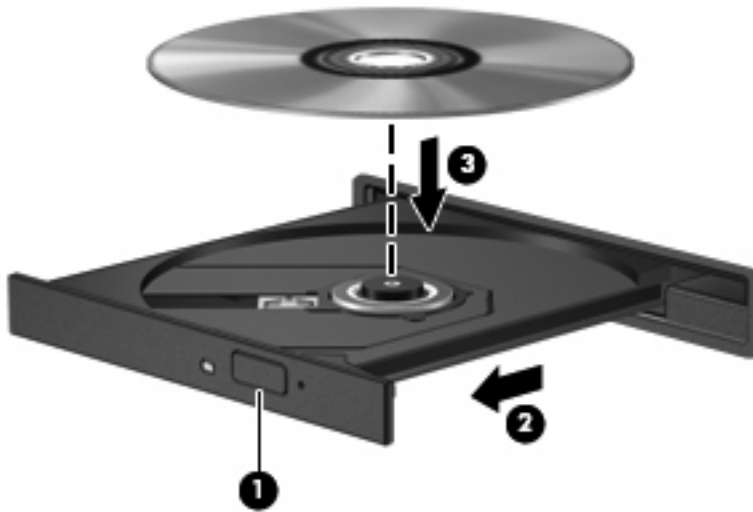
Watching a movie

Your optical drive allows you to watch movies from a disc.


1. Turn on the computer.
2. Press the release button **(1)** on the optical drive bezel to release the disc tray.
3. Pull out the tray **(2)**.
4. Hold the disc by the edges and position the disc label-side up over the tray spindle.

 **NOTE:** If the tray is not fully accessible, tilt the disc carefully to position it over the spindle.

5. Gently press the disc **(3)** down onto the tray spindle.



6. Close the disc tray.

 **NOTE:** After you insert a disc, a short pause is normal.

7. Select **Computer > More Applications > LinDVD** to watch the movie.

Observing the copyright warning

It is a criminal offense, under applicable copyright laws, to make unauthorized copies of copyright-protected material, including computer programs, films, broadcasts, and sound recordings. Do not use this computer for such purposes.


△ **CAUTION:** To prevent loss of information or damage to a disc, observe the following guidelines:

Before writing to a disc, connect the computer to a reliable external power source. Do not write to a disc while the computer is running on battery power.

Before writing to a disc, close all open programs except the disc software you are using.

Do not copy directly from a source disc to a destination disc or from a network drive to a destination disc.

Do not use the computer keyboard or move the computer while the computer is writing to a disc. The write process is sensitive to vibration.


 **NOTE:** For details about using software included with the computer, refer to the software manufacturer's instructions, which may be provided with the software, on disc, or on the manufacturer's Web site.

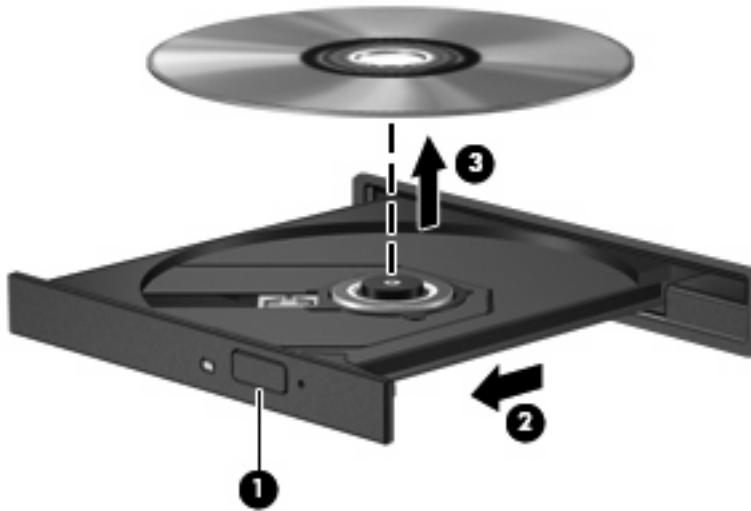
Copying or creating a CD or DVD

1. Select **Computer > More Applications**, and launch Brasero.
2. In the left pane, click **Disc copy**.
3. Follow on-screen instructions to copy or create a CD or DVD.

Removing an optical disc (CD or DVD)

1. Press the release button (1) on the drive bezel to release the disc tray, and then gently pull out the tray (2) until it stops.
2. Remove the disc (3) from the tray by gently pressing down on the spindle while lifting the outer edges of the disc. Hold the disc by the edges and avoid touching the flat surfaces.


 **NOTE:** If the tray is not fully accessible, tilt the disc carefully as you remove it.

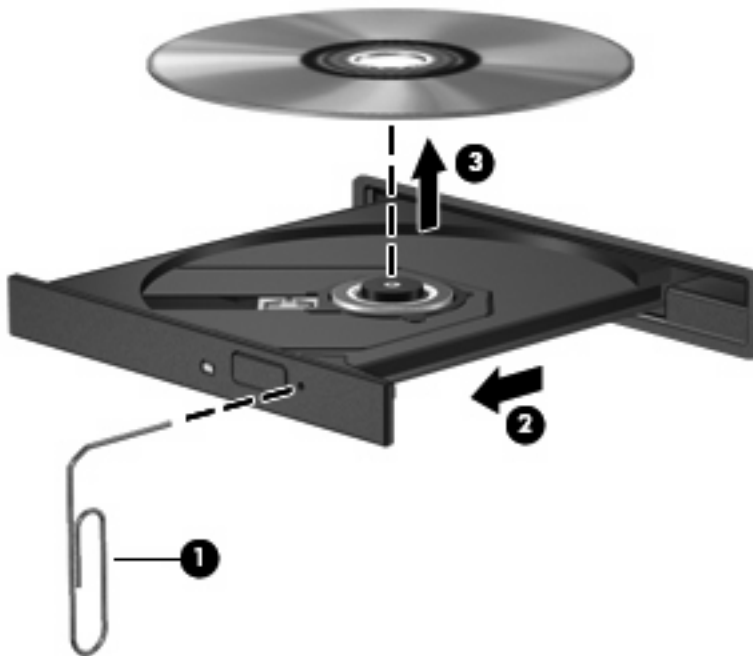


3. Close the disc tray and place the disc in a protective case.

The optical disc tray does not open for removal of a CD or DVD


1. Insert the end of a paper clip (1) into the release access in the front bezel of the drive.
2. Press in gently on the paper clip until the disc tray is released, and then pull out the tray (2) until it stops.
3. Remove the disc (3) from the tray by gently pressing down on the spindle while lifting the outer edges of the disc. Hold the disc by the edges and avoid touching the flat surfaces.

 **NOTE:** If the tray is not fully accessible, tilt the disc carefully as you remove it.



4. Close the disc tray and place the disc in a protective case.

6 Webcam (select models only)

 **NOTE:** The section describes features that are common to most models. Some features may not be available on your computer.

Your computer includes an integrated webcam, located at the top of the display. You can use the webcam to take a photo, record a video, or make an audio recording. You can preview the photo, video recording, or audio recording, and save it on your computer hard drive.

 **NOTE:** Cheese, which is installed on the computer, is designed for use with the integrated webcam. To access Cheese, click **Computer > More Applications**.

NOTE: For information about using software designed for use with the integrated webcam, refer to the software Help for that software.

Index

- A**
 - audio devices, connecting
 - external 8
 - audio features 7
 - audio functions, checking 9
 - audio-in (microphone) jack 2
 - audio-out (headphone) jack 2
- B**
 - button, volume mute 3
- C**
 - CD
 - burning 18
 - inserting 15
 - removing 19
 - CD drive 12
 - checking audio functions 9
 - copyright warning 17
- D**
 - drives
 - CD 12
 - DVD 12
 - DVD/CD-RW Combo Drive 13
 - DVD±RW SuperMulti DL LightScribe Drive 13
 - optical 12
 - DVD
 - burning 18
 - inserting 15
 - removing 19
- E**
 - earbuds 2
 - external audio devices, connecting 8
 - external monitor port 11
- H**
 - headphone (audio-out) jack 2
 - headphones 2
- I**
 - internal microphone, identifying 2
- J**
 - jacks
 - audio-in (microphone) 2
 - audio-out (headphone) 2
- M**
 - microphone, internal 2
 - monitor, connecting 11
 - movie, watching 16
 - multimedia components, identifying 2
 - multimedia software
 - accessing 5
 - mute button 3
- O**
 - optical disc
 - inserting 15
 - removing 19
 - optical drive 12
- P**
 - ports
 - external monitor 11
 - projector, connecting 11
- S**
 - speaker 2
- T**
 - troubleshooting
 - optical disc tray 20
- U**
 - using the webcam 21
- V**
 - video, using 10
 - volume mute button 3
 - volume, adjusting 3
- W**
 - webcam
 - identifying 2
 - using 21

