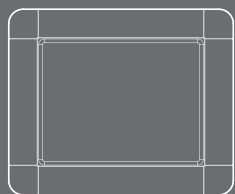




Quick Start Guide

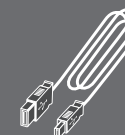
What's inside the box...



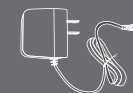
Digital Picture Frame



Remote Control



USB Cable



Power Adapter



DOC Letter

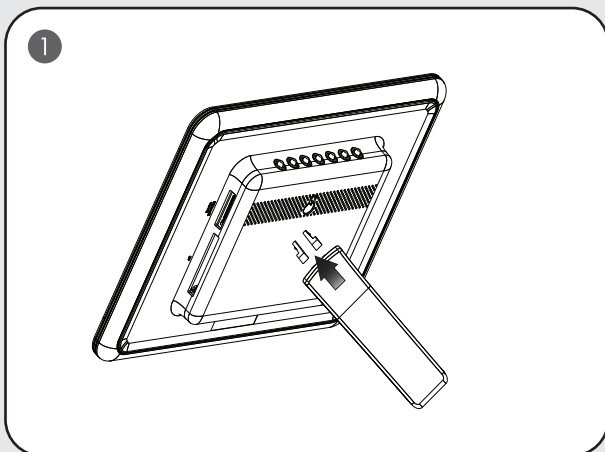


Warranty Card

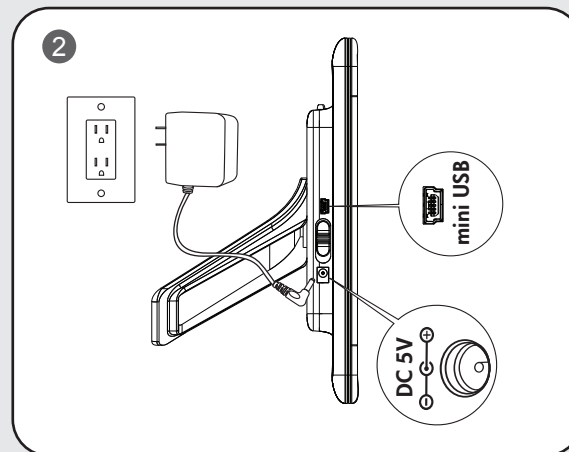


User Manual

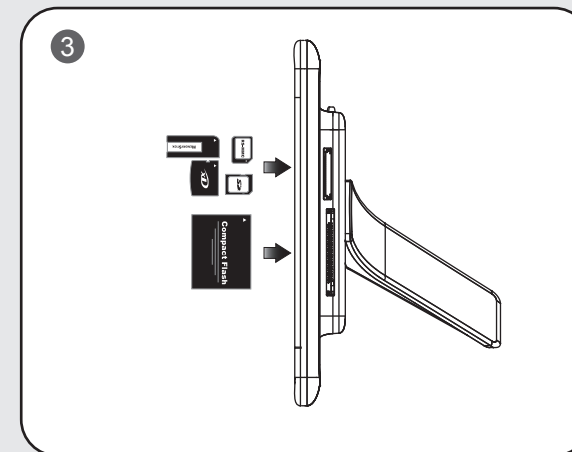
Getting Started



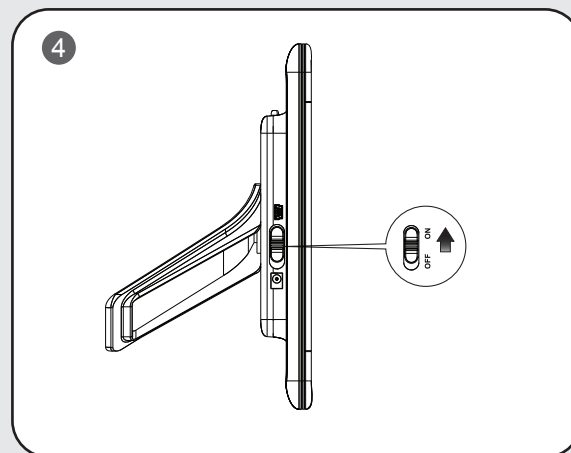
Installing the foot stand



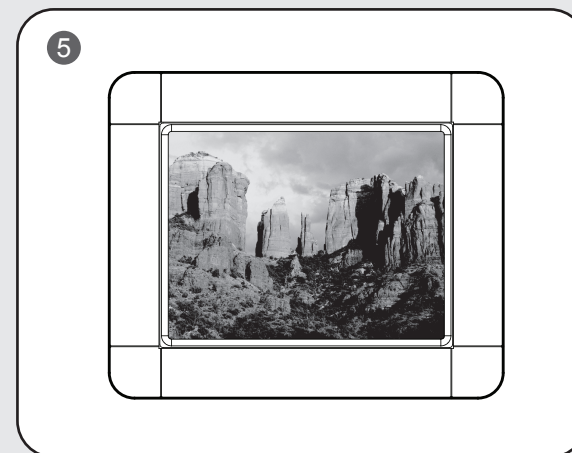
Connect the power adapter



Insert memory cards



Move the power switch to the **ON** position



Enjoy! A slideshow of your pictures will begin in a few seconds

Declaration of Conformity

Federal Communications Commission R.F. Interference Statement

WARNING: This equipment has been tested and found to comply with the limits for a Class B digital device, pursuant to Part 15 of the FCC Rules. These limits are designed to provide reasonable protection against harmful interference in a residential installation. This equipment generates, uses and can radiate radio frequency energy and, if not installed and used in accordance with the instructions, may cause harmful interference to radio communications. However, there is no guarantee that interference will not occur in a particular installation. If this equipment does cause harmful interference to radio or television reception, which can be determined by turning the equipment off and on, the user is encouraged to try to correct the interference by one or more of the following measures:

- Reorient or relocate the receiving antenna.
- Increase the separation between the equipment and receiver.
- Connect the equipment into an outlet on a circuit different than that to which the receiver is connected.
- Consult the dealer or an experienced radio/TV technician for help.

CAUTION: Changes or modifications to this equipment not expressly approved by LiteOn Sales and Distribution Inc. could result in violation of Part 15 of the FCC rules.

DoC#: hpdocdf808u

Supplier Name:	LiteOn Sales and Distribution Inc.
Supplier Address:	42000 Christy St., Fremont, CA94538, USA

Declares that the product:

Product Name:	HP Digital Photo Frame
Product Number:	df808

This Device complies with Part 15 of the FCC Rules of the USA. Operation is subject to the following two conditions: (1) this device may not cause harmful interference, and (2) this device must accept any interference received, including interference that may cause undesired operation.

Representative Person:
Michael Law
General Manager
LiteOn Sales and Distribution Inc.