



# HP Pavilion dv9500, dv9600, and dv9700 Entertainment PCs

Maintenance and Service Guide

© Copyright 2007 Hewlett-Packard  
Development Company, L.P.

AMD, the AMD Arrow logo, and combinations thereof, are trademarks of Advanced Micro Devices, Inc. Bluetooth is a trademark owned by its proprietor and used by Hewlett-Packard Company under license. Intel and Core are trademarks or registered trademarks of Intel Corporation or its subsidiaries in the United States and other countries. Microsoft, Windows, and Windows Vista are either trademarks or registered trademarks of Microsoft Corporation in the United States and/or other countries. SD Logo is a trademark of its proprietor.

The information contained herein is subject to change without notice. The only warranties for HP products and services are set forth in the express warranty statements accompanying such products and services. Nothing herein should be construed as constituting an additional warranty. HP shall not be liable for technical or editorial errors or omissions contained herein.

Sixth Edition: November 2007

First Edition: April 2007

Document Part Number: 448374-006

## MSG revision history

Revision	Publication date	Description
A	November 2009	<p>The power connector bracket is included in the base enclosure kits. The information was updated in the following location: <a href="#">Computer major components on page 19</a>.</p> <p>The part number for the optical drive connector board was incorrect in the system board removal and replacement procedures. It has been corrected to part number 432992-001.</p>



## Safety warning notice

- 
- ⚠ **WARNING!** To reduce the possibility of heat-related injuries or of overheating the computer, do not place the computer directly on your lap or obstruct the computer air vents. Use the computer only on a hard, flat surface. Do not allow another hard surface, such as an adjoining optional printer, or a soft surface, such as pillows or rugs or clothing, to block airflow. Also, do not allow the AC adapter to contact the skin or a soft surface, such as pillows or rugs or clothing, during operation. The computer and the AC adapter comply with the user-accessible surface temperature limits defined by the International Standard for Safety of Information Technology Equipment (IEC 60950).
-



---

# Table of contents

## 1 Product description

## 2 External component identification

Top components .....	9
Display and top components .....	9
QuickPlay buttons .....	11
Keys .....	12
TouchPad .....	13
Front components .....	14
Right-side components .....	15
Left-side components .....	15
Bottom components .....	17

## 3 Illustrated parts catalog

Serial number location .....	18
Computer major components .....	19
Display assembly components .....	26
Plastics Kit .....	28
Cable Kit .....	29
Mass storage devices .....	30
Miscellaneous parts .....	31
Sequential part number listing .....	32

## 4 Removal and replacement procedures

Preliminary replacement requirements .....	40
Tools required .....	40
Service considerations .....	40
Plastic parts .....	40
Cables and connectors .....	41
Drive handling .....	41
Grounding guidelines .....	42
Electrostatic discharge damage .....	42
Packaging and transporting guidelines .....	43

Workstation guidelines .....	43
Equipment guidelines .....	44
Unknown user password .....	45
Component replacement procedures .....	46
Serial number .....	46
Battery .....	47
Camera module .....	48
Display inverter .....	50
Hard drive .....	52
Computer feet .....	54
Memory module .....	54
RTC battery .....	56
WLAN module .....	57
Optical drive .....	59
Switch cover .....	61
Keyboard .....	63
Speaker assembly .....	66
Power button board .....	67
Display assembly .....	69
Top cover .....	75
Wireless switch board .....	80
Bluetooth module .....	82
Front USB board .....	84
ExpressCard assembly .....	85
Top cover trim .....	87
Display switch module .....	89
Rear USB board .....	90
System board .....	92
Audio board .....	97
Fan/heat sink assembly .....	99
Processor .....	103

## 5 Setup Utility

Starting the Setup Utility .....	105
Using the Setup Utility .....	106
Changing the language of the Setup Utility .....	106
Navigating and selecting in the Setup Utility .....	106
Displaying system information .....	106
Restoring default settings in the Setup Utility .....	107
Using advanced Setup Utility features .....	108
Closing the Setup Utility .....	108
Setup Utility menus .....	108
Main menu .....	108



Security menu .....	109
System Configuration menu .....	109
Diagnostics menu .....	109

## 6 Specifications

Computer specifications .....	110
17.0-inch, SXGA+ display specifications .....	111
17.0-inch WXGA+ display specifications .....	112
Hard drive specifications .....	113
DVD±RW and CD-RW SuperMulti Double-Layer Combo Drive specifications .....	114
HD DVD-ROM Drive with SuperMulti DVD±R/RW Double Layer support specifications .....	115
Blu-ray Disc ROM Drive with SuperMulti DVD±R/RW Double-Layer (DL) support specifications .....	116
System DMA specifications, Intel .....	117
System DMA specifications, AMD discrete and UMA graphics .....	118
System interrupt specifications, Intel .....	119
System interrupt specifications, AMD discrete graphics .....	120
System interrupt specifications, AMD UMA graphics .....	121
System I/O address specifications, Intel .....	122
System I/O address specifications, AMD discrete and UMA graphics .....	124
System memory map specifications, Intel .....	126
System memory map specifications, AMD discrete graphics .....	127
System memory map specifications, AMD UMA graphics .....	128

## 7 Screw listing

Phillips PM2.5×8.0 captive screw .....	129
Phillips PM3.0×4.0 screw .....	130
Phillips PM2.5×5.0 captive screw .....	131
Phillips PM2.0×11.0 screw .....	132
Phillips PM2.5×8.0 screw .....	133
Phillips PM2.0×3.0 screw .....	137
Phillips PM2.5×5.0 screw .....	139
Phillips PM2.5×6.0 screw .....	143
Phillips PM2.0×4.0 screw .....	144
Phillips 2.5×4.0 captive screw .....	145

## 8 Backup and recovery

Recovering system information .....	146
Creating recovery discs .....	146
Backing up your information .....	147
When to back up .....	147
Backup suggestions .....	147
Using system restore points .....	148

When to create restore points .....	148
Create a system restore point .....	148
Restore to a previous date and time .....	148
Performing a recovery .....	149
Recovering from the recovery discs .....	149
Recovering from the partition on the hard drive .....	149

## 9 Connector pin assignments

Audio-out (headphone) .....	150
Audio-in (microphone) .....	150
External monitor .....	151
RJ-11 (modem) .....	152
RJ-45 (network) .....	152
S-Video-out .....	153
Universal Serial Bus .....	153

## 10 Power cord set requirements

Requirements for all countries or regions .....	154
Requirements for specific countries or regions .....	155

## 11 Recycling

Battery .....	156
Display .....	156

<b>Index .....</b>	<b>162</b>
--------------------	------------

# 1 Product description

Category	Description	Full-featured models (AMD)	Defeated models (AMD)	8m GM system board (Intel)	8m PM system board (Intel)	8p PM system board (Intel)
<b>Product Name</b>	<b>HP Pavilion dv9500, dv9600, and dv9700 Entertainment PCs</b>	√	√	√	√	√
<b>Processors</b>	<b>Intel® Core™ 2 Duo processor:</b>					
	T7700 (2.4-GHz, 4-MB L2 cache, 800-MHz FSB)			√	√	√
	<b>Intel® Core™ Duo processors:</b>					
	T7500 (2.2-GHz, 4-MB L2 cache, 800-MHz FSB)			√	√	√
	T7300 (2.0-GHz, 4-MB L2 cache, 800-MHz FSB)			√	√	√
	T7100 (1.8-GHz, 2-MB L2 cache, 800-MHz FSB)			√	√	√
	T5250e (1.5-GHz, 2-MB L2 cache, 667-MHz FSB)			√	√	√
	T2300 (1.6-GHz, L2 cache, 533-MHz FSB)			√	√	√
	TJ85 (1.67-GHz, 2-MB L2 cache, 667-MHz FSB)			√	√	√
	<b>AMD Turion™ 64 X2 Dual-Core Mobile Technology and AMD Athlon™ 64 X2 Dual-Core processors:</b>					
	Turion TL-68 (2.4 -GHz, 1-MB L2 cache)	√	√			
	Turion TL-66 (2.3 -GHz, 1-MB L2 cache)	√	√			
	Turion TL-64 (2.2 -GHz, 1-MB L2 cache)	√	√			
	Turion TL-62 (2.1 -GHz, 1-MB L2 cache)	√	√			
	Turion TL-60 (2.0 -GHz, 1-MB L2 cache)	√	√			

Category	Description	Full-featured models (AMD)	Defeatured models (AMD)	8m GM system board (Intel)	8m PM system board (Intel)	8p PM system board (Intel)
	Turion TL-58 (1.9 -GHz, 1-MB L2 cache)	√	√			
	Turion TL-56 (1.8 -GHz, 1-MB L2 cache)	√	√			
	Athlon TK-55 (1.86-GHz. 512-MB L2 cache)	√	√			
	Athlon TK-53 (1.7-GHz. 512-MB L2 cache)	√	√			
<b>Chipset</b>	Northbridge: Intel PM965				√	√
	Northbridge: Intel GM965			√		
	Southbridge: ICH8m			√	√	√
	Northbridge/Southbridge: nVidia MCP67D	√				
	Northbridge/Southbridge: nVidia MCP67M		√			
<b>Graphics</b>	<b>nVidia Discrete PCI Express × 16 Graphics:</b>	√			√	√
	nVidia NB8P-SE (GeForce 8600M GS, G86M-128 bit) with at least 256 MB of dedicated video memory (16M×16 DDR2 × 8 PCs), with:					√
	<ul style="list-style-type: none"> <li>• 511 MB of video memory when system memory = 1 GB (256 MB + 255 MB Turbo Cache)</li> <li>• 1023 MB of video memory when system memory = 2 GB (256 MB + 767 MB Turbo Cache)</li> <li>• 2047 MB of video memory when system memory = 4 GB (256 MB + 1791 MB Turbo Cache)</li> </ul>					
	System design supports up to 55-W GPU requirement.					

Category	Description	Full-featured models (AMD)	Defeated models (AMD)	8m GM system board (Intel)	8m PM system board (Intel)	8p PM system board (Intel)
	<p>nVidia NB8M-SE -GS (GeForce 8400M GS) with at least 128 MB of dedicated video memory (16M × 16 DDR2 × 4 PCs), with:</p> <ul style="list-style-type: none"> <li>• 192 MB of video memory when system memory = 512 MB (128 MB + 64 MB Turbo Cache)</li> <li>• 383 MB of video memory when system memory = 1 GB (128 MB + 255 MB Turbo Cache)</li> <li>• 895 MB of video memory when system memory = 2 GB (128 MB + 767 MB Turbo Cache)</li> <li>• 1919 MB of video memory when system memory = 4 GB (128 MB + 1535 MB Turbo Cache)</li> </ul> <p>System design supports up to 55-W GPU requirement.</p>	√			√	
	<p>Intel Extreme Graphics - Intel GMA X3100 UMA (integrated) with shared video memory:</p> <ul style="list-style-type: none"> <li>• Up to 64 MB when system memory = 512 MB</li> <li>• Up to 251 MB when system memory = 1024 MB</li> <li>• Up to 358 MB when system memory &gt; 2047 MB</li> </ul> <p>Memory size is dynamically allocated.</p>			√		

Category	Description	Full-featured models (AMD)	Defeatured models (AMD)	8m GM system board (Intel)	8m PM system board (Intel)	8p PM system board (Intel)
	<p><b>UMA nVidia MCP67M</b> with shared video memory, and</p> <ul style="list-style-type: none"> <li>Up to 128 MB on computer models with 512 MB of system RAM</li> <li>Up to 287 MB on computer models with 1024 MB of system RAM</li> <li>Up to 559 MB on computer models with 2048 MB of system RAM</li> <li>Up to 559 MB on computer models with 4096 MB of system RAM</li> </ul> <p>Memory size is dynamically allocated.</p>		√			
<b>Panels</b>	17.0-inch dual lamp WXGA+ BrightView (1440 × 900), 200 nits typical brightness	√	√		√	√
	17.0-inch single lamp SXGA+ BrightView 1680 × 1050), 200 nits typical brightness	√	√	√	√	√
	17.0-inch single lamp WXGA BrightView (1440 × 900), 200 nits typical brightness	√	√	√	√	√
<b>Memory</b>	2 SODIMM slots	√	√	√	√	√
	Customer-accessible/upgradable	√	√	√	√	√
	PC2-5300, 667-MHz, DDR2	√	√	√	√	√
	Dual-channel support	√	√	√	√	√
	Supports up to 4096 MB of system memory	√	√	√	√	√
	<ul style="list-style-type: none"> <li>2048-MB total system memory (1024 MB × 2)</li> <li>1024-MB total system memory (1024 MB × 1)</li> </ul>					
<b>Hard drives</b>	Supports all Serial ATA (SATA) 9.5-mm, 2.5-inch hard drives	√	√	√	√	√
	RAID software support not required for second hard drive	√	√	√	√	√

Category	Description	Full-featured models (AMD)	Defeated models (AMD)	8m GM system board (Intel)	8m PM system board (Intel)	8p PM system board (Intel)
	Single hard drive configurations:	√	√	√	√	√
	<ul style="list-style-type: none"> <li>• 250-GB, 5400-rpm</li> <li>• 200-GB, 4200-rpm</li> <li>• 160-GB, 5400-rpm</li> <li>• 120-GB, 7200- and 5400-rpm</li> <li>• 100-GB, 7200-rpm</li> <li>• 80-GB, 5400-rpm</li> </ul>					
	Dual hard drive configurations:	√	√	√	√	√
	<ul style="list-style-type: none"> <li>• 500-GB, 5400-rpm (250 GB × 2)</li> <li>• 400-GB, 4200-rpm (200 GB × 2)</li> <li>• 320-GB, 5400-rpm (160 GB × 2)</li> <li>• 280-GB, 5400-rpm (160 GB + 120 GB)</li> <li>• 240-GB, 7200-rpm (120 GB × 2)</li> <li>• 240-GB, 5400-rpm (120 GB × 2)</li> <li>• 200-GB, 7200-rpm (100 GB × 2)</li> <li>• 200-GB, 5400-rpm (120 GB + 80 GB)</li> </ul>					
<b>Optical drives</b>	12.7-mm tray load	√	√	√	√	√
	Parallel ATA	√	√	√	√	√
	Fixed (1 screw for removal)	√	√	√	√	√
	Support for the following optical drives:					
	<ul style="list-style-type: none"> <li>• Blu-ray Disc ROM Drive with SuperMulti DVD±R/RW Double-Layer (DL) support (select models only)</li> </ul>				√	√
	<ul style="list-style-type: none"> <li>• HD DVD-ROM Drive with SuperMulti DVD±R/RW Double Layer support</li> </ul>	√			√	√
	<ul style="list-style-type: none"> <li>• DVD±RW and CD-RW SuperMulti Double-Layer Combo Drive with LightScribe</li> </ul>	√	√	√	√	√

Category	Description	Full-featured models (AMD)	Defeatured models (AMD)	8m GM system board (Intel)	8m PM system board (Intel)	8p PM system board (Intel)
	<ul style="list-style-type: none"> <li>DVD±RW and CD-RW SuperMulti Double-Layer Combo Drive</li> </ul>	√	√	√	√	√
<b>Camera</b>	Low-light VGA camera	√	√	√	√	√
	Fixed (no tilt)	√	√	√	√	√
	640 × 480 by 20 frames per second	√	√	√	√	√
<b>Diskette drive</b>	Supports external USB drive only	√	√	√	√	√
<b>Audio</b>	HD Audio (Realtek ALC861-VD-GR)			√	√	√
	HD Audio - Conexant CX20549-12)	√	√			
	Supports Microsoft Premium Requirements	√	√	√	√	√
	Pavilion-branded Altec Lansing speakers	√	√	√	√	√
	2 omnidirectional microphones, dual array with appropriate software (supports beam forming, echo cancellation, and noise suppression)	√	√	√	√	√
<b>Modem</b>	56K V.92 data/fax modem	√	√	√	√	√
	Supports all world-wide certification requirements	√	√	√	√	√
<b>Ethernet</b>	Integrated Realtek RT8111B 10/100/1000 network interface card (NIC)				√	√
	Integrated Realtek RT8101e 10/100 NIC			√		
	Integrated Realtek RTL8211B 10/100 NIC	√				
	Integrated Realtek RT8201CL 10/100 NIC		√			
<b>Wireless</b>	<b>Integrated wireless local area network (WLAN) options by way of wireless module:</b>			√	√	√
	Intel PRO wireless 3945 a/b/g and b/g with 2 antennae built into the display assembly			√	√	√
	Intel WLAN + Bluetooth®			√	√	√
	802.11b/g for use only in North America, includes two 2.4-GHz antennae in display assembly			√	√	√



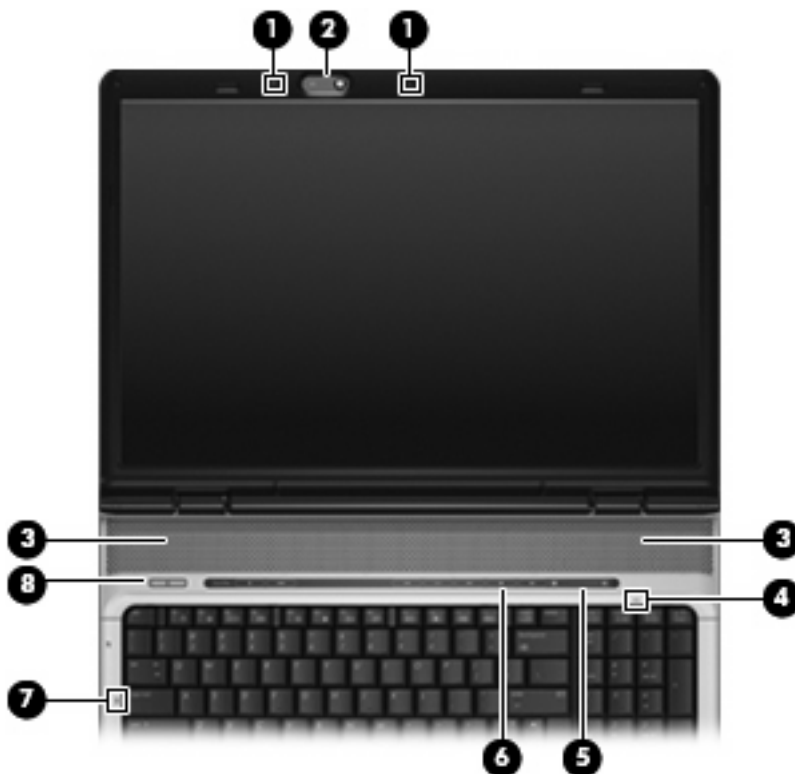
Category	Description	Full-featured models (AMD)	Defeated models (AMD)	8m GM system board (Intel)	8m PM system board (Intel)	8p PM system board (Intel)
	Intel PRO wireless 4965 a/b/g with 2 antennae built into the display assembly and a/b/g/n with 3 antennae built into the display assembly			√	√	√
	Broadcom 4321AGN Wi-Fi Adapter (802.11 a/b/g/ draft-n) + Bluetooth with 2 antennas	√	√			
	Broadcom 4321AGN Wi-Fi Adapter (802.11 a/b/g/ draft-n) with 2 antennas	√	√			
<b>External media card</b>	One ExpressCard 54 slot, supports Hybrid Analog+ATSC and DVBT TV tuner	√	√	√	√	√
	One Mini PCIe slot	√	√	√	√	√
	Digital Media Slot, supports SD, MMC, SD I/O, MS, MSP, xD	√	√	√	√	√
<b>Ports</b>	Audio-in (mono microphone)	√	√	√	√	√
	Audio-out (stereo headphone)	√	√	√	√	√
	Audio-out (stereo headphone with S/PDIF)	√	√	√	√	√
	Consumer infrared	√	√	√	√	√
	High-Definition Multimedia Interface (HDMI, on select models only)	√			√	√
	IEEE 1394a	√	√	√	√	√
	RJ-11 (modem)	√	√	√	√	√
	RJ-45 (Ethernet, includes link and activity lights)	√	√	√	√	√
	S-Video-out	√	√	√	√	√
	USB (4 on computer models not equipped with a fingerprint reader; 3 on computer models equipped with a fingerprint reader)	√	√	√	√	√
	VGA (Dsub 15-pin)	√	√	√	√	√
	2-pin AC power for 90-W AC adapter	√	√		√	√
	2-pin AC power for 65-W AC adapter			√		
<b>Docking</b>	Expansion port 3 supports the HP xb3000 Notebook Expansion Base and HP Notebook QuickDock	√	√	√	√	√

Category	Description	Full-featured models (AMD)	Defeated models (AMD)	8m GM system board (Intel)	8m PM system board (Intel)	8p PM system board (Intel)
<b>Keybrd/ pointing devices</b>	17-inch full-size keyboard with numeric keypad	√	√	√	√	√
	Touchpad supports 2-way scrolling	√	√	√	√	√
	Taps enabled as default	√	√	√	√	√
<b>Power requirements</b>	8-cell 2.55-Ah Li-ion battery	√	√	√	√	√
	8-cell 2.20-Ah Li-ion battery	√	√	√	√	√
	90-W AC adapter with localized cable plug support (2-wire plug with ground pin, supports 2-pin DC connector)	√	√		√	√
	65-W AC adapter with localized cable plug support (2-wire plug with ground pin, supports 2-pin DC connector)			√		
<b>Security</b>	Security cable slot	√	√	√	√	√
	Fingerprint reader (select models only)	√	√	√	√	√
<b>Operat- ing system</b>	<b>Preinstalled:</b>					
	Windows Vista® with embedded QuickPlay Direct			√	√	√
	Windows Vista Business (32-bit)	√	√	√	√	√
	Windows Vista Ultimate (64-bit)	√	√	√	√	√
	Windows Vista Premium (64-bit)	√	√	√	√	√
<b>Service- ability</b>	<b>End-user replaceable parts:</b>	√	√	√	√	√
	AC adapter	√	√	√	√	√
	Battery (system)	√	√	√	√	√
	Hard drives (2)	√	√	√	√	√
	Memory module	√	√	√	√	√
	Optical drive	√	√	√	√	√
	WLAN module	√	√	√	√	√

## 2 External component identification

### Top components

#### Display and top components

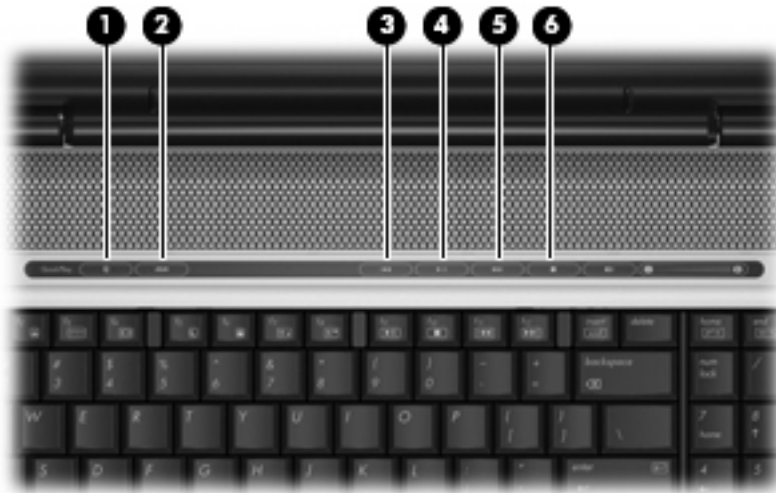


Item	Component	Description
(1)	Internal microphones (2) (select models only)	Record sound.  <b>NOTE:</b> If there is a microphone icon next to each microphone opening, the computer has internal microphones.
(2)	Integrated camera (select models only)	Records video and captures still photographs.
(3)	Speakers (2)	Produce sound.
(4)	Num lock light	On: Num lock is on or the embedded numeric keypad is enabled.

Item	Component	Description
(5)	Volume scroll zone	Adjusts speaker volume. Slide your finger to the left to decrease volume and to the right to increase volume. You can also tap the minus sign on the scroll zone to decrease volume, or tap the plus sign on the scroll zone to increase volume.
(6)	Volume mute button	Mutes and restores the speaker sound.
(7)	Caps lock light	On: Caps lock is on.
(8)	Power button*	<ul style="list-style-type: none"> <li>• When the computer is off, press the button to turn on the computer.</li> <li>• When the computer is on, press the button to shut down the computer.</li> <li>• When the computer is in the Sleep state, press the button briefly to exit Sleep.</li> <li>• When the computer is in Hibernation, press the button briefly to exit Hibernation.</li> </ul> <p>If the computer has stopped responding and Windows® shutdown procedures are ineffective, press and hold the power button for at least 5 seconds to turn off the computer.</p> <p>To learn more about power settings, select <b>Start &gt; Control Panel &gt; System and Maintenance &gt; Power Options</b>.</p>

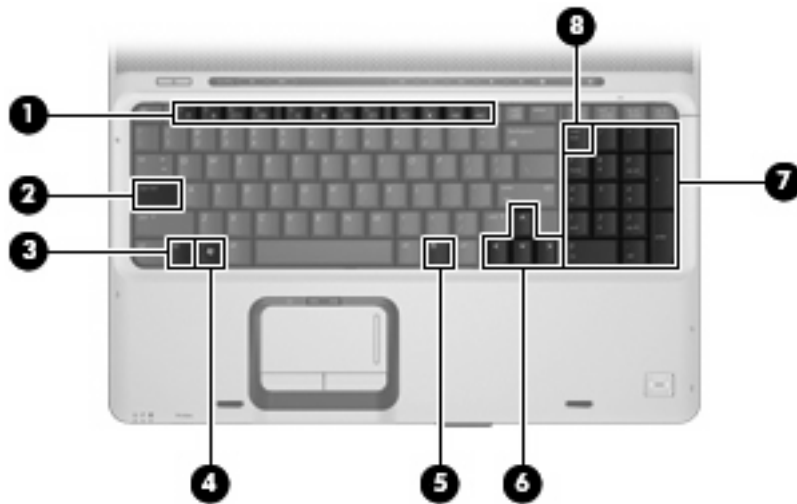
\*This table describes factory settings. For information about changing factory settings, refer to the user guides located in Help and Support.

## QuickPlay buttons



Item	Component	Description
(1)	Media button	Launches the QuickPlay program.  <b>NOTE:</b> If the computer has been set up to require a logon password, you may be asked to log on to Windows. QuickPlay launches after you log on. Refer to the QuickPlay online Help for more information.
(2)	DVD button	Launches the DVD playback feature of the QuickPlay program.  <b>NOTE:</b> If the computer has been set up to require a logon password, you may be asked to log on to Windows. QuickPlay launches after you log on. Refer to the QuickPlay online Help for more information.
(3)	Previous/rewind button	When a disc is playing in the optical drive: <ul style="list-style-type: none"><li>• Plays the previous track or chapter, when pressed once.</li><li>• Rewinds when pressed with the <b>fn</b> key.</li></ul>
(4)	Play/pause button	Plays or pauses the disc.
(5)	Next/fast forward button	<ul style="list-style-type: none"><li>• Plays the next track or chapter when the button is pressed once.</li><li>• Fast forwards media when pressed simultaneously with the <b>fn</b> key.</li></ul>
(6)	Stop button	Stops the disc.

## Keys



Item	Component	Function
(1)	Function keys	Execute frequently used system functions when pressed in combination with the <b>fn</b> key.
(2)	<a href="#">caps lock key</a>	Enables caps lock and turns on the caps lock light.
(3)	<a href="#">fn key</a>	Executes frequently used system functions when pressed in combination with a function key or the <b>esc</b> key.
(4)	Windows logo key	Displays the Windows® Start menu.
(5)	Windows applications key	Displays a shortcut menu for items beneath the pointer.
(6)	Arrow keys	Move the cursor around the screen.
(7)	Embedded numeric keypad keys	Can be used like the keys on an external numeric keypad.
(8)	<a href="#">num lock key</a>	Enables numeric lock, turns on the embedded numeric keypad, and turns on the num lock light.

## TouchPad



Item	Component	Function
(1)	TouchPad light	<ul style="list-style-type: none"><li>• Blue: TouchPad is enabled.</li><li>• Amber: TouchPad is disabled.</li></ul>
(2)	TouchPad*	Moves the pointer and selects or activates items on the screen.
(3)	TouchPad left and right buttons*	Function like the left and right buttons on an external mouse.
(4)	TouchPad on/off button	Enables/disables the TouchPad.
(5)	TouchPad scroll zone	Scrolls up or down.

\*This table describes factory settings. View or change pointing device preferences by selecting **Start > Control Panel > Hardware and Sound > Mouse**.

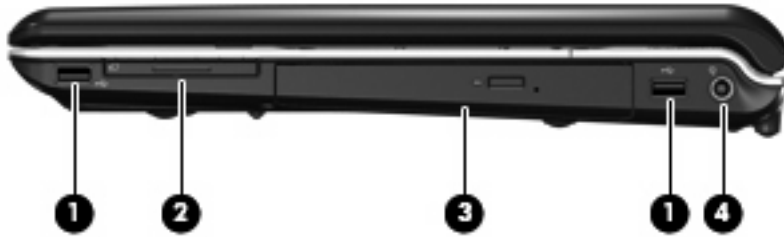
## Front components



Item	Component	Function
(1)	Power light	<ul style="list-style-type: none"> <li>On: The computer is on.</li> <li>Blinking: The computer is in the Sleep state.</li> <li>Off: The computer is off or in Hibernation.</li> </ul>
(2)	Battery light	<ul style="list-style-type: none"> <li>On: A battery is charging.</li> <li>Blinking: A battery that is the only available power source has reached a low battery level or a critical battery level.</li> <li>Off: If the computer is plugged into an external power source, the light is turned off when all batteries in the computer are fully charged. If the computer is not plugged into an external power source, the light stays off until the battery reaches a low battery level.</li> </ul>
(3)	Drive light	Blinking: The hard drive or optical drive is being accessed.
(4)	Wireless switch	Turns the wireless feature on or off, but does not create a wireless connection.  <b>NOTE:</b> To establish a wireless connection, a wireless network must already be set up.
(5)	Wireless light	<ul style="list-style-type: none"> <li>Blue: An integrated wireless device, such as a wireless local area network (LAN) device and/or a Bluetooth® device, is turned on.</li> <li>Amber: An integrated wireless device is turned off.</li> </ul>
(6)	Consumer infrared lens	Receives a signal from a remote control device, such as the HP Remote Control.
(7)	Audio-in (microphone) jack	Connects an optional computer headset microphone, stereo array microphone, or monaural microphone.
(8)	Audio-out (headphone) jack	Produces sound when connected to optional powered stereo speakers, headphones, ear buds, a headset, or television audio.
	Audio-out (headphone) S/PDIF jack (select models only)	Produces sound when connected to optional powered stereo speakers, headphones, ear buds, a headset, or television audio.
(9)	Display lid latch	Opens the computer.



## Right-side components



Item	Component	Function
(1)	USB ports (select models only)	Connect optional USB devices.
(2)	ExpressCard slot	Supports optional ExpressCard/54 cards.
(3)	Optical drive	Reads optical discs, and, on select models, also writes to optical discs.
(4)	Power connector	Connects an AC adapter.

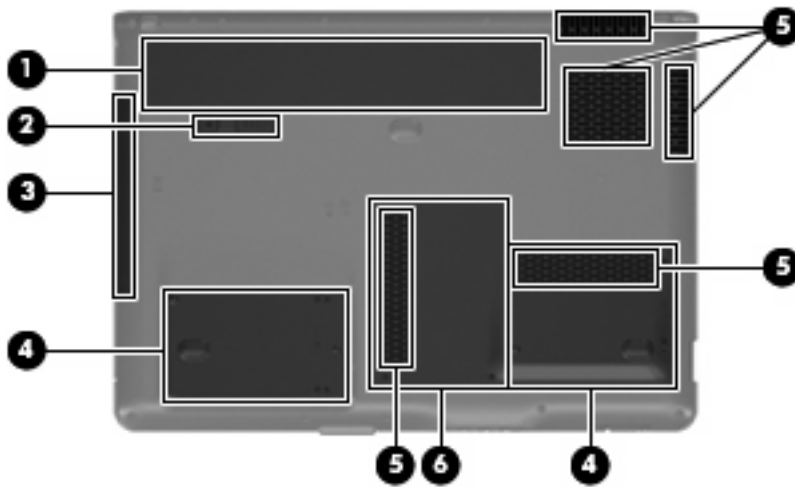
## Left-side components



Item	Component	Function
(1)	Security cable slot	Attaches an optional security cable to the computer.  <b>NOTE:</b> The security cable is designed to act as a deterrent, but it may not prevent the computer from being mishandled or stolen.
(2)	S-Video-out jack	Connects an optional S-Video device such as a television, VCR, camcorder, overhead projector, or video capture card.
(3)	External monitor port	Connects an external VGA monitor or projector.
(4)	Expansion port 3	Connects the computer to an optional docking device or expansion product.  <b>NOTE:</b> The computer has only one expansion port. The term <i>expansion port 3</i> describes the type of expansion port.
(5)	RJ-45 (network) jack	Connects a network cable.  <b>NOTE:</b> On select computer models, the network jack provides Gigabit Ethernet functionality.
(6)	RJ-11 (modem) jack	Connects a modem cable.

Item	Component	Function
(7)	HDMI port (select models only)	Connects an optional video or audio device such as a high-definition television, set-top box, DVD player, or any compatible digital or audio device.
(8)	USB ports (1 or 2, depending on computer model)	Connect optional USB devices.  <b>NOTE:</b> Depending on your computer model, the computer may include an HDMI port or a USB port.
(9)	1394 port (select models only)	Connects an optional IEEE 1394 or 1394a device, such as a camcorder.
(10)	Digital Media Slot light (select models only)	On: A digital card is being accessed.
(11)	Digital Media Slot (select models only)	Supports the following optional digital card formats: <ul style="list-style-type: none"> <li>• Memory Stick (MS)</li> <li>• Memory Stick Pro (MSP)</li> <li>• MultiMediaCard (MMC)</li> <li>• Secure Digital Input/Output (SD I/O)</li> <li>• Secure Digital (SD) Memory Card</li> <li>• xD-Picture Card (XD)</li> <li>• xD-Picture Card (XD) Type H</li> <li>• xD-Picture Card (XD) Type M</li> </ul>

## Bottom components



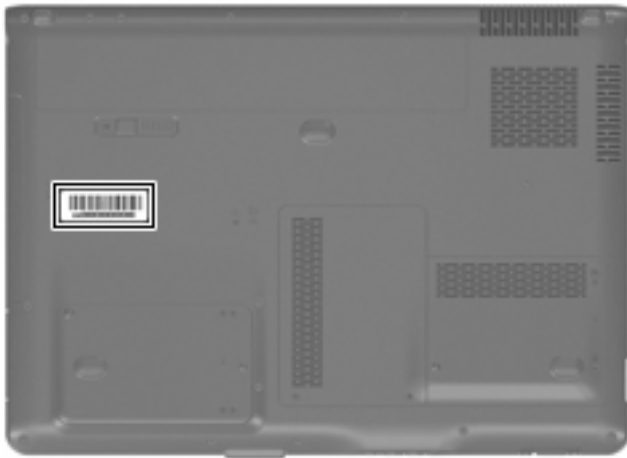
Item	Component	Function
(1)	Battery bay	Holds the battery.
(2)	Battery release latch	Releases the battery from the battery bay.
(3)	Optical drive	Reads optical discs, and, on select models, also writes to optical discs.
(4)	Secondary hard drive bay	Holds an optional secondary hard drive.
	Primary hard drive bay	Hold the primary hard drive.
(5)	Vents (5)	Enable airflow to cool internal components.  <b>NOTE:</b> The computer fan starts up automatically to cool internal components and prevent overheating. It is normal for the internal fan to cycle on and off during routine operation.
(6)	Memory/WLAN module compartment	Contains the memory module slots, the WLAN module slot, and the RTC battery.  <b>CAUTION:</b> To prevent an unresponsive system, replace the wireless module only with a wireless module authorized for use in the computer by the governmental agency that regulates wireless devices in your country or region. If you replace the module and then receive a warning message, remove the module to restore computer functionality, and then contact technical support through Help and Support.

---

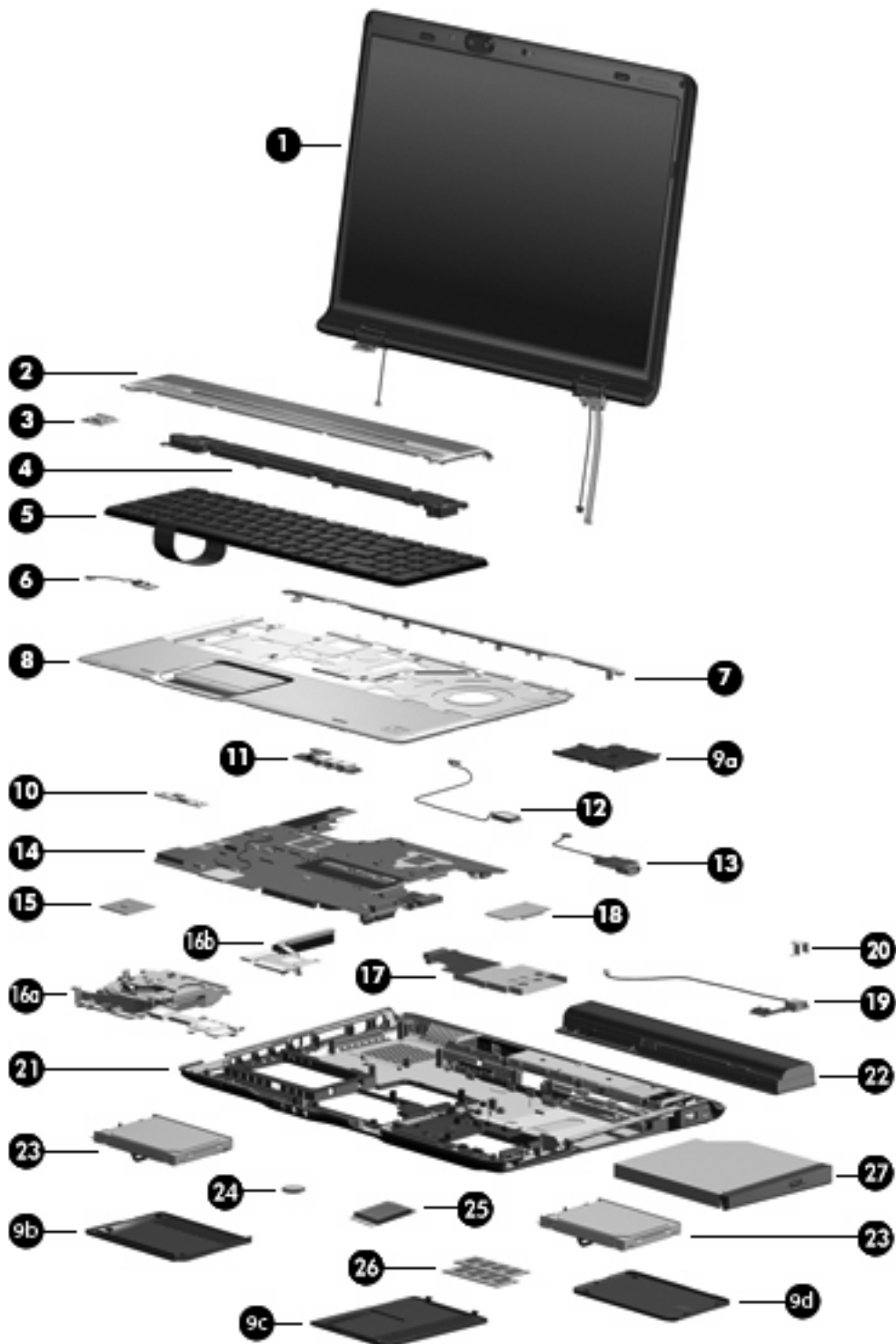
## 3 Illustrated parts catalog

### Serial number location

When ordering parts or requesting information, provide the computer serial number and model number located on the bottom of the computer.



# Computer major components



Item	Description	Spare part number
(1)	<b>Display assemblies</b> (include wireless antenna transceivers and cables)	
	For use only with computer models equipped with a camera:	

Item	Description	Spare part number
	<ul style="list-style-type: none"> <li>17.0-inch, WXGA+, TFT, dual Lamp with BrightView</li> </ul>	447991-001
	<ul style="list-style-type: none"> <li>17.0-inch, SXGA+, TFT, single Lamp with BrightView</li> </ul>	447990-001
	<ul style="list-style-type: none"> <li>17.0-inch, WXGA+, TFT, single Lamp with BrightView</li> </ul>	447989-001
	For use only with computer models not equipped with a camera:	
	<ul style="list-style-type: none"> <li>17.0-inch, WXGA+, TFT, dual Lamp with BrightView</li> </ul>	447994-001
	<ul style="list-style-type: none"> <li>17.0-inch, SXGA+, TFT, Single Lamp with BrightView</li> </ul>	447993-001
	<ul style="list-style-type: none"> <li>17.0-inch, WXGA+, TFT, Single Lamp with BrightView</li> </ul>	447992-001
	<b>NOTE:</b> See <a href="#">Display assembly components on page 26</a> for more information on display assembly spare part numbers.	
<b>(2)</b>	<b>Switch cover</b> (includes LED board and LED board cable)	448014-001
<b>(3)</b>	<b>Power button board</b> (includes power button board cable)	432987-001
<b>(4)</b>	<b>Speaker assembly</b>	432994-001
<b>(5)</b>	<b>Keyboards</b> (include keyboard cable)	
	Belgium	441541-A41
	Denmark, Finland, Norway, and Sweden	441541-DH1
	France	441541-051
	French Canada	441541-121
	Germany	441541-041
	Greece	441541-151
	Israel	441541-BB1
	Italy	441541-061
	Japan	441541-291
	South Korea	441541-AD1
	Latin America	441541-161
	The Netherlands and Europe	441541-B31
	Portugal	441541-131
	Russia	441541-251
	Saudi Arabia	441541-171
	Spain	441541-071
	Switzerland	441541-111
	Thailand	441541-281
	Turkey	441541-141
	The United Kingdom	441541-031
	The United States	441541-001

Item	Description	Spare part number
<b>(6)</b>	<b>Display switch module</b> (includes display switch module cable)	
	For use in computer models with Intel processors	448435-001
	For use in computer models with AMD processors	432993-001
<b>(7)</b>	<b>Top cover trim</b>	432978-001
<b>(8)</b>	<b>Top covers</b>	
	For use in computer models with Intel processors:	
	<ul style="list-style-type: none"> <li>Equipped with a fingerprint reader (includes TouchPad, TouchPad cable, fingerprint reader board, and fingerprint reader board cable)</li> </ul>	448011-001
	<ul style="list-style-type: none"> <li>Not equipped with a fingerprint reader (includes TouchPad and TouchPad cable)</li> </ul>	448010-001
	<ul style="list-style-type: none"> <li><b>Fingerprint reader board</b> (not illustrated; includes fingerprint reader board cable)</li> </ul>	448012-001
	<ul style="list-style-type: none"> <li><b>Plastics Kit</b> (see <a href="#">Plastics Kit on page 28</a> for more Plastics Kit component information)</li> </ul>	432981-001
	For use in computer models using AMD processors:	
	<ul style="list-style-type: none"> <li>Equipped with a fingerprint reader (includes TouchPad, TouchPad cable, fingerprint reader board, and fingerprint reader board cable)</li> </ul>	450852-001
	<ul style="list-style-type: none"> <li><b>Fingerprint reader board</b> (not illustrated; includes fingerprint reader board cable)</li> </ul>	450853-001
	<ul style="list-style-type: none"> <li><b>Plastics Kit</b> (see <a href="#">Plastics Kit on page 28</a> for more Plastics Kit component information)</li> </ul>	432981-001
<b>(9a)</b>	ExpressCard slot bezel	
<b>(9b)</b>	Left hard drive cover (includes 2 captive screws, secured by C-clips)	
<b>(9c)</b>	Memory/WLAN module compartment cover (includes 2 captive screws, secured by C-clips)	
<b>(9d)</b>	Right hard drive cover (includes 2 captive screws, secured by C-clips)	
<b>(10)</b>	<b>Wireless switch board</b> (includes wireless switch board cable)	432991-001
<b>(11)</b>	<b>Audio board</b> (includes audio board cable)	449763-001
<b>(12)</b>	<b>Bluetooth module</b> (includes Bluetooth module cable)	412766-002
<b>(13)</b>	<b>Front USB board</b> (includes front USB board cable)	449762-001
<b>(14)</b>	<b>System boards</b> (include modem module cable and hard drive thermal pads)	
	For use only with computer models equipped with Intel processors:	
	<ul style="list-style-type: none"> <li>With 256 MB of video system memory for use with computer models with discrete video system memory</li> </ul>	447983-001
	<ul style="list-style-type: none"> <li>With 128 MB of video system memory for use with computer models with discrete video system memory</li> </ul>	447982-001
	<ul style="list-style-type: none"> <li>With UMA video system memory</li> </ul>	447984-001
	For use only with computer models equipped with AMD processors:	
	<ul style="list-style-type: none"> <li>With discrete video system memory</li> </ul>	450799-001
	<ul style="list-style-type: none"> <li>With UMA video system memory</li> </ul>	450800-001
	Processor bracket v8.1 (not illustrated)	450371-001

<b>Item</b>	<b>Description</b>	<b>Spare part number</b>
	Processor bracket v7.9 (not illustrated)	450370-001
<b>(15)</b>	<b>Processors</b> (include thermal material)	
	Intel Core 2 Duo processor:	
	<ul style="list-style-type: none"> <li>T7700 (2.4-GHz , 4-MB L2 cache, 800-MHz FSB)</li> </ul>	446894-001
	Intel Core Duo processors:	
	<ul style="list-style-type: none"> <li>T7500 (2.2-GHz, 4-MB L2 cache, 800-MHz FSB)</li> <li>T7300 (2.0-GHz, 4-MB L2 cache, 800-MHz FSB)</li> <li>T7100 (1.8-GHz, 2-MB L2 cache, 800-MHz FSB)</li> <li>TJ85 (1.67-GHz, 2-MB L2 cache, 667-MHz FSB)</li> <li>T5250e (1.5-GHz, 2-MB L2 cache, 667-MHz FSB)</li> <li>T2330 (1.6-GHz, L2 cache, 533-MHz FSB)</li> </ul>	447985-001 446478-001 446479-001 453195-001 453033-001 455944-001
	AMD processors:	
	<ul style="list-style-type: none"> <li>Turion TL-66 (2.3-GHz, 1-MB L2 cache)</li> <li>Turion TL-62 (2.1-GHz, 1-MB L2 cache)</li> <li>Turion TL-60 (2.0-GHz, 1-MB L2 cache)</li> <li>Turion TL-58 (1.9-GHz, 1-MB L2 cache)</li> <li>Turion TL-56 (1.8-GHz, 1-MB L2 cache)</li> <li>Athlon TK-55 (1.86-GHz. 512-MB L2 cache)</li> <li>Athlon TK-53 (1.7-GHz. 512-MB L2 cache)</li> </ul>	450804-001 456023-001 450803-001 450802-001 450801-001 456024-001 453037-001
<b>(16a)</b>	<b>Fan/heat sink assemblies</b> (includes heat sink and thermal material)	
	For use only with computer models equipped with Intel processors:	
	<ul style="list-style-type: none"> <li>With discrete video system memory</li> <li>With UMA video system memory</li> </ul>	448016-001 450934-001
	For use only with computer models equipped with AMD processors:	
	<ul style="list-style-type: none"> <li>With UMA video system memory</li> <li>With discrete video system memory</li> </ul>	450863-001 450864-001
<b>(16b)</b>	<b>Heat sink</b> (included with the fan/heat sink assembly)	
<b>(17)</b>	<b>ExpressCard assembly</b>	432988-001
<b>(18)</b>	<b>Optical drive connector board</b>	432992-001
<b>(19)</b>	<b>Rear USB board</b>	448437-001
<b>(20)</b>	<b>Power connector bracket</b>	432985-001
<b>(21)</b>	<b>Base enclosures</b> (include wireless on/off switch, power connector, power connector cable, power connector bracket, and rear USB board cable)	
	For use with computers with Intel processors:	

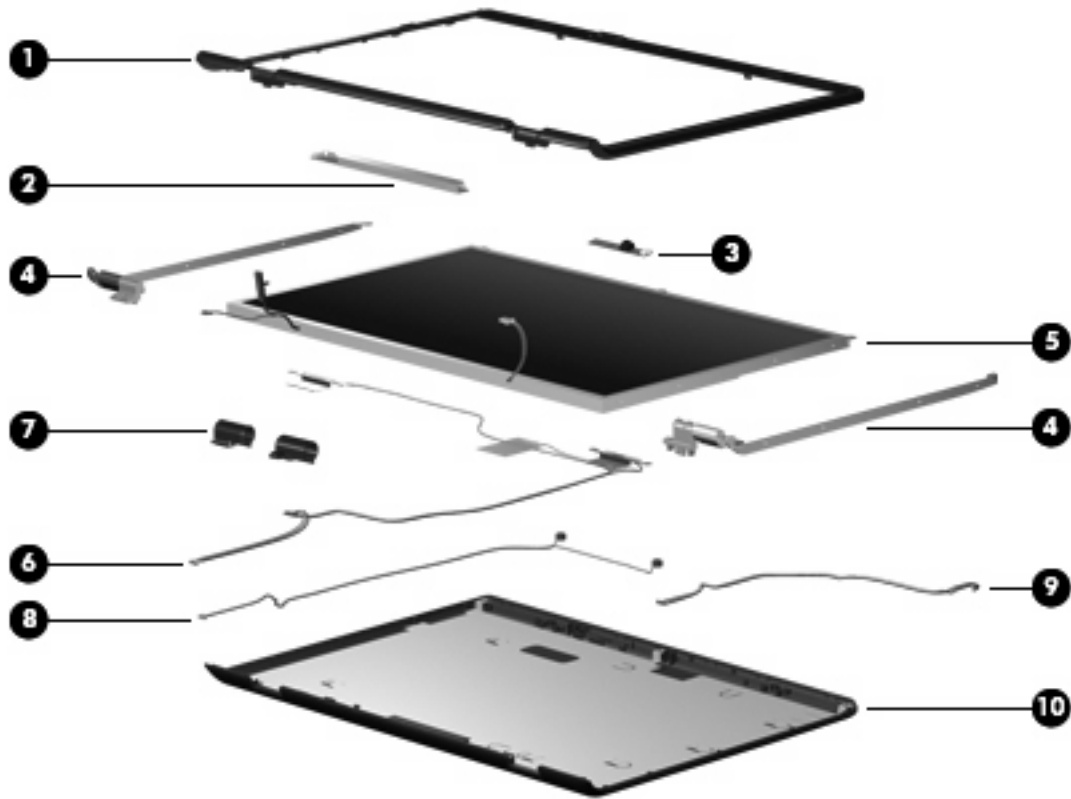


Item	Description	Spare part number
	<ul style="list-style-type: none"> <li>For use only with computer models equipped with discrete video system memory and a fingerprint reader</li> </ul>	448308-001
	<ul style="list-style-type: none"> <li>For use only with computer models equipped with discrete video system memory but not a fingerprint reader</li> </ul>	448309-001
	<ul style="list-style-type: none"> <li>For use only with computer models equipped with UMA video system memory and a fingerprint reader</li> </ul>	448310-001
	<ul style="list-style-type: none"> <li>For use only with computer models equipped with UMA video system memory but not a fingerprint reader</li> </ul>	448311-001
	For use with computers with AMD processors:	
	<ul style="list-style-type: none"> <li>For use only with computer models equipped with discrete video system memory and a fingerprint reader</li> </ul>	454494-001
	<ul style="list-style-type: none"> <li>For use only with computer models equipped with discrete video system memory but not a fingerprint reader</li> </ul>	454495-001
	<ul style="list-style-type: none"> <li>For use only with computer models equipped with UMA video system memory and a fingerprint reader</li> </ul>	454496-001
	<ul style="list-style-type: none"> <li>For use only with computer models equipped with UMA video system memory but not a fingerprint reader</li> </ul>	454497-001
	<b>Rubber Feet Kit</b> (not illustrated; includes computer feet and display bezel rubber screw covers)	448017-001
<b>(22)</b>	<b>Batteries</b>	
	8-cell, 2.55-Ah	446498-001 and 451868-001
	8-cell, 2.20-Ah	448007-001
<b>(23)</b>	<b>Hard drives</b> (include hard drive bracket)	
	250-GB, 5400-rpm	453775-001
	200-GB, 4200-rpm	441424-001
	200-GB, 4200-rpm	449933-001
	160-GB, 5400-rpm	438485-001
	120-GB, 5400-rpm	446498-001
	100-GB, 7200-rpm	453197-001
	80-GB, 5400-rpm	446497-001
	<b>Hard Drive Hardware Kit</b> (for use only in Asia Pacific countries and regions; not illustrated)	448304-001
<b>(24)</b>	<b>RTC battery</b> (includes 2-sided tape)	449729-001
<b>(25)</b>	<b>WLAN modules</b>	
	Intel 802.11a/b/g/n WLAN modules:	
	<ul style="list-style-type: none"> <li>For use in Antigua &amp; Barbuda, Argentina, Aruba, the Bahamas, Barbados, Bermuda, Brunei, Canada, the Cayman Islands, Chile, Colombia, Costa Rica, the Dominican Republic, Ecuador, El Salvador, Guam, Guatemala, Haiti, Honduras, Hong Kong, India, Indonesia, Malaysia, Mexico, Panama, Paraguay, Peru, Saudi Arabia, Taiwan, Uruguay, the United States, Venezuela, and Vietnam</li> </ul>	441086-001

Item	Description	Spare part number
	<ul style="list-style-type: none"> <li>For use in Austria, Azerbaijan, Bahrain, Belgium, Brazil, Bulgaria, Croatia, Cyprus, the Czech Republic, Denmark, Egypt, Estonia, Finland, France, Georgia, Germany, Greece, Hungary, Iceland, Ireland, Israel, Italy, Latvia, Lebanon, Liechtenstein, Lithuania, Luxembourg, Malta, Monaco, the Netherlands, Norway, Oman, the Philippines, Poland, Portugal, Qatar, Romania, Russia, Serbia and Montenegro, Singapore, Slovakia, Slovenia, South Africa, Spain, Sri Lanka, Sweden, Switzerland, Turkey, Ukraine, the United Kingdom, and Uzbekistan</li> </ul>	441086-002 and 441087-002
	<ul style="list-style-type: none"> <li>For use in Australia, New Zealand, Pakistan, the People's Republic of China, and South Korea</li> </ul>	441086-003 and 441087-003
	<ul style="list-style-type: none"> <li>For use in Japan</li> </ul>	441086-291 and 441089-291
	<ul style="list-style-type: none"> <li>For use in South Korea</li> </ul>	441086-AD1
	Broadcom 802.11a/b/g WLAN modules:	
	<ul style="list-style-type: none"> <li>For use in Antigua &amp; Barbuda, Argentina, Australia, the Bahamas, Barbados, Brunei, Canada, Chile, the Dominican Republic, Guam, Guatemala, Hong Kong, India, Indonesia, Malaysia, Mexico, New Zealand, Panama, Paraguay, Saudi Arabia, Taiwan, the United States, and Vietnam</li> </ul>	407674-001, 451861-001, and 451865-001
	<ul style="list-style-type: none"> <li>For use in Aruba, Austria, Azerbaijan, Bahrain, Belgium, Bermuda, Brazil, Bulgaria, the Cayman Islands, Colombia, Croatia, Cyprus, the Czech Republic, Denmark, Egypt, El Salvador, Estonia, Finland, France, Georgia, Germany, Greece, Hungary, Iceland, Ireland, Italy, Jordan, Latvia, Lebanon, Liechtenstein, Lithuania, Luxembourg, Malta, Monaco, the Netherlands, Norway, Oman, the Philippines, Poland, Portugal, Romania, Russia, Serbia and Montenegro, Singapore, Slovakia, Slovenia, South Africa, Spain, Sri Lanka, Sweden, Switzerland, Turkey, the United Kingdom, and Uzbekistan</li> </ul>	407674-002, 451861-002, and 451865-002
	<ul style="list-style-type: none"> <li>For use in Ecuador, Haiti, Honduras, Pakistan, Peru, the People's Republic of China, Qatar, South Korea, Uruguay, and Venezuela</li> </ul>	407674-003, 451861-003, and 451865-003
	<ul style="list-style-type: none"> <li>For use in Japan</li> </ul>	407674-291, 451861-291, and 451865-291
	Broadcom 802.11b/g WLAN module for use in Thailand	407674-004, 451861-004, and 451865-004
	Broadcom 802.11b/g WLAN modules:	
	<ul style="list-style-type: none"> <li>For use in the United States and Canada</li> </ul>	441090-001
	<ul style="list-style-type: none"> <li>For use in France, Germany, Italy, the Netherlands, Spain, the United Kingdom, Nordic region, and India</li> </ul>	441090-002
	Broadcom 4311AG 802.11a/b/g modules:	
	<ul style="list-style-type: none"> <li>For use in the United States</li> </ul>	441075-001
	<ul style="list-style-type: none"> <li>For use in France, Germany, Italy, the Netherlands, Spain, the United Kingdom, Nordic region, and India</li> </ul>	441075-002
	Broadcom 4321AGN 802.11a/b/g/n modules:	
	<ul style="list-style-type: none"> <li>For use in the United States and Canada</li> </ul>	434661-001
	<ul style="list-style-type: none"> <li>For use in France, Germany, Italy, the Netherlands, Spain, the United Kingdom, Nordic region, and India</li> </ul>	434661-002

Item	Description	Spare part number
<b>(26)</b>	<b>Memory modules</b> (667-MHz, PC2-5300, 1-DIMM)	
	2048-MB	448003-001
	1024-MB	446495-001
	512-MB	446494-001
<b>(27)</b>	<b>Optical drives</b> (include bezel and bracket)	
	Blu-ray Disc ROM Drive with SuperMulti DVD±R/RW Double-Layer (DL) support (select models only)	462356-001
	HD DVD-ROM Drive with SuperMulti DVD±R/RW Double Layer support with LightScribe	448006-001
	DVD±RW and CD-RW SuperMulti Double-Layer Combo Drive with LightScribe	448005-001
	DVD±RW and CD-RW SuperMulti Double-Layer Combo Drive	448004-001
	<b>Cable Kit</b> (not illustrated; see <a href="#">Cable Kit on page 29</a> for more Cable Kit component information)	448015-001

# Display assembly components



Item	Description	Spare part number
<b>(1)</b>	<b>Display bezels</b>	
	For use only with computer models with dual lamp display assemblies	447998-001
	For use only with computer models with single lamp display assemblies	447997-001
	For use in computer models with AMD processors	436067-001
<b>(2)</b>	<b>Display inverters</b> (include Mylar shield)	
	For use only with computer models with dual lamp display assemblies	432959-001
	For use only with computer models with single lamp display assemblies	431391-001
<b>(3)</b>	<b>Camera module</b> (includes 2-sided tape)	448002-001
<b>(4)</b>	<b>Display Hinge Kits</b> (include left and right display hinges)	
	For use only with computer models with dual lamp display assemblies	432964-001
	For use only with computer models with single lamp display assemblies	432963-001
<b>(5)</b>	<b>Display panels</b> (include display panel cable)	
	17.0-inch, WXGA+ BrightView dual lamp	447988-001
	17.0-inch, SXGA+ BrightView single lamp	447987-001
	17.0-inch, WXGA+ BrightView single lamp	447986-001
<b>(6)</b>	<b>Wireless antenna transceivers and cables</b>	

<b>Item</b>	<b>Description</b>	<b>Spare part number</b>
	For use only with computer models equipped with an 802.11a/b/g/n WLAN module	448313-001
	For use only with computer models equipped with an 802.11a/b/g and 802.11b/g WLAN module	448312-001
<b>(7)</b>	<b>Display hinge covers</b>	432965-001
<b>(8)</b>	<b>Microphone</b>	432961-001
<b>(9)</b>	<b>Display Cable Kit</b> (includes camera module cable)	432962-001
<b>(10)</b>	<b>Display enclosures</b> (include logo and WLAN wireless antenna transceivers and cables)	
	For use only with computer models equipped with dual lamp display assemblies	448001-001
	For use only with computer models equipped with single lamp display assemblies	448000-001
	For use only with computer models equipped with single lamp display assemblies (non-mica composition)	448000-001
	<b>Display Screw Kit</b> (not illustrated)	432967-001

## Plastics Kit



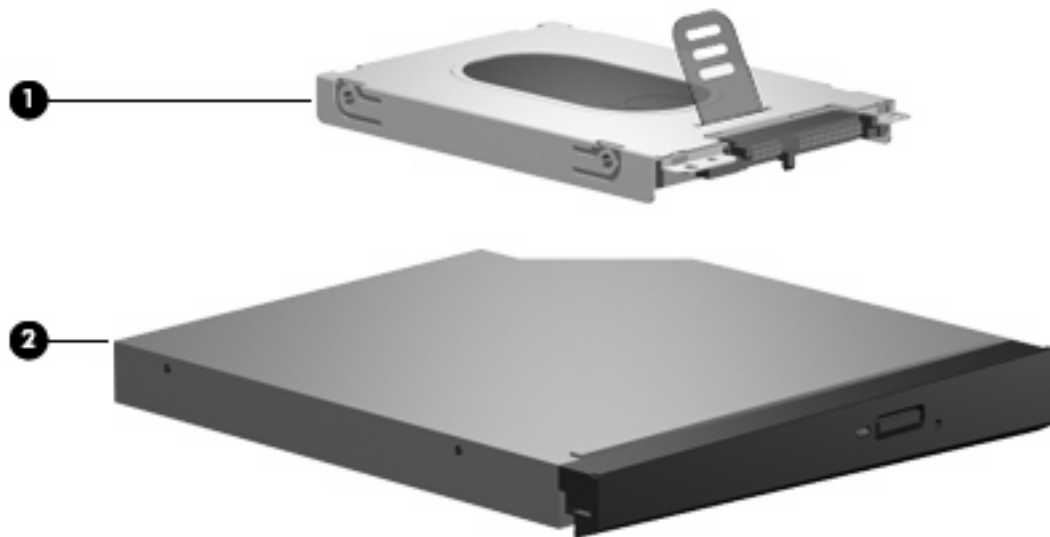
Item	Description	Spare part number
	<b>Plastics Kit</b>	432981-001
(1)	ExpressCard slot bezel	
(2)	Left hard drive cover (includes 2 captive screws, secured by C-clips)	
(3)	Memory/WLAN module compartment cover (includes 2 captive screws, secured by C-clips)	
(4)	Right hard drive cover (includes 2 captive screws, secured by C-clips)	
	USB port cover (not illustrated; for use only with computer models not equipped with a fingerprint reader)	

## Cable Kit



Item	Description	Spare part number
	<b>Cable Kit</b>	448015-001
(1)	Bluetooth module cable	
(2)	Front USB board cable	
(3)	Fingerprint reader board cable	
(4)	Rear USB board cable	

## Mass storage devices



Item	Description	Spare part number
<b>(1)</b>	<b>Hard drives</b> (include hard drive bracket)	
	250-GB, 5400-rpm	453775-001
	200-GB, 4200-rpm	441424-001
	200-GB, 4200-rpm	449933-001
	160-GB, 5400-rpm	438485-001
	120-GB, 5400-rpm	446498-001
	80-GB, 5400-rpm	446497-001
<b>(2)</b>	<b>Optical drives</b> (include bezel and bracket)	
	Blu-ray Disc ROM Drive with SuperMulti DVD±R/RW Double-Layer (DL) support	462356-001
	HD DVD-ROM Drive with SuperMulti DVD±R/RW Double Layer support with LightScribe	448006-001
	DVD±RW and CD-RW SuperMulti Double-Layer Combo Drive with LightScribe	448005-001
	DVD±RW and CD-RW SuperMulti Double-Layer Combo Drive	448004-001



## Miscellaneous parts

Description	Spare part number
<b>90-W AC adapter</b> (for use only with computer models equipped with dual lamp display assemblies)	453198-001
<b>65-W AC adapter</b> (for use only with computer models equipped with single lamp display assemblies)	453199-001
90-W AC adapter	432309-001
<b>ATSC/NTSC TV tuner antenna</b>	439131-001
<b>ATSC/NTSC/PAL TV tuner</b>	439130-001
<b>Composite video cable</b>	407939-001
<b>DVB-T tuner</b>	412175-001
<b>DVB-T antenna adapter</b>	412176-001
<b>ExpressCard Kit</b> (includes software CD)	445170-001
<b>Backpack</b>	405527-001
<b>Carrying case</b>	418162-001
<b>HP Remote Control</b>	435743-001
<b>Infrared emitter with cable</b>	439129-001
<b>Optical wired mouse</b>	436238-001
<b>RF input adapter cable</b> (without ferrite)	407940-001
<b>USB digital drive</b>	364727-002
<b>Vista remote control</b> (fits into ExpressCard slot)	439128-001
<b>Vista remote control</b> (does not fit into ExpressCard slot)	439254-001
<b>Wired headset</b>	371693-001
<b>Wireless laser mouse</b> (includes cable adapter)	430958-001
<b>Power cords:</b>	
Argentina	394279-D01
Australia and New Zealand	394279-011
Belgium, Europe, Finland, France, Germany, Greece, the Netherlands, Norway, Portugal, Spain, and Sweden	394279-021
Canada, French Canada, Latin America, Thailand, and the United States	394279-001
Denmark	394279-081
India	394279-D61
Israel	394279-BB1
Italy	394279-061
Japan	394279-291
South Korea	394279-AD1

Description	Spare part number
The People's Republic of China	394279-AA1
Switzerland	394279-111
Taiwan	394279-AB1
The United Kingdom and Hong Kong	394279-031
<b>Screw Kit</b>	432983-001
<ul style="list-style-type: none"> <li>• Phillips PM3.0×3.0 screw</li> <li>• Phillips PM2.5×10.0 screw</li> <li>• Phillips PM2.5×7.0 screw</li> <li>• Phillips PM2.5×5.0 screw</li> <li>• Phillips PM2.5×4.0 screw</li> <li>• Phillips PM2.0×6.0 screw</li> <li>• Phillips PM2.0×5.0 captive screw</li> <li>• Phillips PM2.0×4.0 screw</li> <li>• Phillips PM2.0×3.0 screw</li> </ul>	

## Sequential part number listing

Spare part number	Description
371693-001	Wired headset with volume control
394279-001	Power cord for use in the United States
394279-011	Power cord for use in Australia
394279-021	Power cord for use in Europe
394279-031	Power cord for use in the United Kingdom
394279-061	Power cord for use in Italy
394279-081	Power cord for use in Denmark
394279-111	Power cord for use in Switzerland
394279-291	Power cord for use in Japan
394279-AA1	Power cord for use in the People's Republic of China
394279-AB1	Power cord for use in Taiwan
394279-AD1	Power cord for use in South Korea
394279-BB1	Power cord for use in Israel
394279-D01	Power cord for use in Argentina
394279-D61	Power cord for use in India

<b>Spare part number</b>	<b>Description</b>
405527-001	Backpack
407674-001	Broadcom 802.11a/b/g WLAN module for use in Antigua & Barbuda, Argentina, Australia, the Bahamas, Barbados, Brunei, Canada, Chile, the Dominican Republic, Guam, Guatemala, Hong Kong, India, Indonesia, Malaysia, Mexico, New Zealand, Panama, Paraguay, Saudi Arabia, Taiwan, the United States, and Vietnam
407674-002	Broadcom 802.11a/b/g WLAN module for use in Aruba, Austria, Azerbaijan, Bahrain, Belgium, Bermuda, Brazil, Bulgaria, the Cayman Islands, Colombia, Croatia, Cyprus, the Czech Republic, Denmark, Egypt, El Salvador, Estonia, Finland, France, Georgia, Germany, Greece, Hungary, Iceland, Ireland, Italy, Jordan, Latvia, Lebanon, Liechtenstein, Lithuania, Luxembourg, Malta, Monaco, the Netherlands, Norway, Oman, the Philippines, Poland, Portugal, Romania, Russia, Serbia and Montenegro, Singapore, Slovakia, Slovenia, South Africa, Spain, Sri Lanka, Sweden, Switzerland, Turkey, the United Kingdom, and Uzbekistan
407674-003	Broadcom 802.11a/b/g WLAN module for use in Ecuador, Haiti, Honduras, Pakistan, Peru, the People's Republic of China, Qatar, South Korea, Uruguay, and Venezuela
407674-004	Broadcom 802.11b/g WLAN module for use in Thailand
407674-291	Broadcom 802.11a/b/g WLAN module for use in Japan
407939-001	Composite video cable
407940-001	RF input adapter cable (without ferrite)
412175-001	DVB-T tuner
412176-001	DVB-T antenna adapter
412766-002	Bluetooth module (includes Bluetooth module cable)
430958-001	Wireless laser mouse (includes cable adapter)
431391-001	Display inverter for use only with single lamp display assemblies (includes Mylar shield)
432309-001	90-W AC adapter
432959-001	Display inverter for use only with dual lamp display assemblies (includes Mylar shield)
432961-001	Microphone
432962-001	Display Cable Kit
432963-001	Display Hinge Kit for use only with single lamp display assemblies (includes left and right display hinges)
432964-001	Display Hinge Kit for use only with dual lamp display assemblies (includes left and right display hinges)
432965-001	Display hinge covers
432967-001	Display Screw Kit
432978-001	Top cover trim
432981-001	Plastics Kit (see <a href="#">Plastics Kit on page 28</a> for more Plastics Kit component information)
432983-001	Screw Kit
432985-001	Power connector bracket
432987-001	Power button board (includes power button board cable)
432988-001	ExpressCard assembly
432991-001	Wireless switch board (includes wireless switch board cable)
432992-001	Optical drive connector board

<b>Spare part number</b>	<b>Description</b>
432993-001	Display switch module for use in computer models with AMD processors (includes display switch module cable)
432994-001	Speaker assembly
434674-001	8-cell, 2.55-Ah battery
434661-001	Broadcom 4321AGN 802.11a/b/g/n module for use in the United States and Canada
434661-002	Broadcom 4321AGN 802.11a/b/g/n module for use in the France, Germany, Italy, the Netherlands, Spain, the United Kingdom, Nordic region, and India
435743-001	HP Remote Control
436067-001	Display bezel for use in computers with AMD processors
436238-001	Optical wired mouse
438485-001	160-GB, 5400-rpm hard drive (includes hard drive bracket)
439128-001	Vista remote control (fits inside ExpressCard slot)
439129-001	Infrared emitter with cable
439130-001	ATSC/NTSC/PAL TV tuner
439131-001	ATSC/NTSC TV tuner antenna
439254-001	Vista remote control (does not fit inside ExpressCard slot)
441075-001	Broadcom 4311AG 802.11a/b/g module for use in the United States and Canada
441075-002	Broadcom 4311AG 802.11a/b/g module for use in France, Germany, Italy, the Netherlands, Spain, the United Kingdom, Nordic region, and India
441086-001	Intel 802.11a/b/g/n WLAN module for use in Antigua & Barbuda, Argentina, Aruba, the Bahamas, Barbados, Bermuda, Brunei, Canada, the Cayman Islands, Chile, Colombia, Costa Rica, the Dominican Republic, Ecuador, El Salvador, Guam, Guatemala, Haiti, Honduras, Hong Kong, India, Indonesia, Malaysia, Mexico, Panama, Paraguay, Peru, Saudi Arabia, Taiwan, Uruguay, the United States, Venezuela, and Vietnam
441086-002	Intel 802.11a/b/g/n WLAN module for use in Austria, Azerbaijan, Bahrain, Belgium, Brazil, Bulgaria, Croatia, Cyprus, the Czech Republic, Denmark, Egypt, Estonia, Finland, France, Georgia, Germany, Greece, Hungary, Iceland, Ireland, Israel, Italy, Latvia, Lebanon, Liechtenstein, Lithuania, Luxembourg, Malta, Monaco, the Netherlands, Norway, Oman, the Philippines, Poland, Portugal, Qatar, Romania, Russia, Serbia and Montenegro, Singapore, Slovakia, Slovenia, South Africa, Spain, Sri Lanka, Sweden, Switzerland, Turkey, Ukraine, the United Kingdom, and Uzbekistan
441086-003	Intel 802.11a/b/g/n WLAN module for use in Australia, New Zealand, Pakistan, the People's Republic of China, and South Korea
441086-291	Intel 802.11a/b/g/n WLAN module for use in Japan
441086-AD1	Intel 802.11a/b/g/n WLAN module for use in South Korea
441087-002	Intel 802.11a/b/g/n WLAN module for use in Austria, Azerbaijan, Bahrain, Belgium, Brazil, Bulgaria, Croatia, Cyprus, the Czech Republic, Denmark, Egypt, Estonia, Finland, France, Georgia, Germany, Greece, Hungary, Iceland, Ireland, Israel, Italy, Latvia, Lebanon, Liechtenstein, Lithuania, Luxembourg, Malta, Monaco, the Netherlands, Norway, Oman, the Philippines, Poland, Portugal, Qatar, Romania, Russia, Serbia and Montenegro, Singapore, Slovakia, Slovenia, South Africa, Spain, Sri Lanka, Sweden, Switzerland, Turkey, Ukraine, the United Kingdom, and Uzbekistan
441088-003	Intel 802.11a/b/g/n WLAN module for use in Australia, New Zealand, Pakistan, the People's Republic of China, and South Korea
441089-291	Intel 802.11a/b/g/n WLAN module for use in Japan

<b>Spare part number</b>	<b>Description</b>
441090-001	Broadcom 802.11b/g WLAN module for use in United States and Canada
441090-002	Broadcom 802.11b/g WLAN module for use in France, Germany, Italy, the Netherlands, Spain, the United Kingdom, Nordic region, India
441424-001	200-GB, 4200-rpm hard drive (includes hard drive bracket)
441541-001	Keyboard for use in the United States
441541-031	Keyboard for use in the United Kingdom
441541-041	Keyboard for use in Germany
441541-051	Keyboard for use in France
441541-061	Keyboard for use in Italy
441541-071	Keyboard for use in Spain
441541-111	Keyboard for use in Switzerland
441541-121	Keyboard for use in French Canada
441541-131	Keyboard for use in Portugal
441541-141	Keyboard for use in Turkey
441541-151	Keyboard for use in Greece
441541-161	Keyboard for use in Latin America
441541-171	Keyboard for use in Saudi Arabia
441541-251	Keyboard for use in Russia
441541-281	Keyboard for use in Thailand
441541-291	Keyboard for use in Japan
441541-A41	Keyboard for use in Belgium
441541-AD1	Keyboard for use in South Korea
441541-B31	Keyboard for in the Netherlands and Europe
441541-BB1	Keyboard for use in Israel
441541-DH1	Keyboard for use in Denmark, Finland, Norway, and Sweden
445170-001	ExpressCard Kit (includes software CD)
446478-001	Intel Core Duo T7300 2.0-GHz processor (4-MB L2 cache, 800-MHz FSB; includes thermal material)
446479-001	Intel Core Duo T7100 1.8-GHz processor (1.8-GHz, 2-MB L2 cache, 800-MHz FSB; includes thermal material)
446494-001	512-MB memory module (667-MHz, PC2-5300, 1-DIMM)
446495-001	1024-MB memory module (667-MHz, PC2-5300, 1-DIMM)
446497-001	80-GB, 5400-rpm hard drive (includes hard drive bracket)
446498-001	120-GB, 5400-rpm hard drive (includes hard drive bracket)
446894-001	Intel Core 2 Duo T7700 2.4-GHz processor (4-MB L2 cache, 800-MHz FSB; includes thermal material)

<b>Spare part number</b>	<b>Description</b>
447982-001	System board with 128-MB video system memory for use only with computer models with Intel processors with discrete video system memory (includes modem module cable and hard drive thermal pads)
447983-001	System board with 256-MB video system memory for use only with computer models with Intel processors with discrete video system memory (includes modem module cable and hard drive thermal pads)
447984-001	System board for use only with computer models with Intel processors with UMA video system memory (includes modem module cable and hard drive thermal pads)
447985-001	Intel Core Duo T7500 2.2-GHz processor (4-MB L2 cache, 800-MHz FSB; includes thermal material)
447986-001	17.0-inch, WXGA+, TFT, single lamp, BrightView display panel (includes display panel cable)
447987-001	17.0-inch, SXGA+, TFT, single lamp, BrightView display panel (includes display panel cable)
447988-001	17.0-inch, SXGA+, TFT, dual lamp, BrightView display panel (includes display panel cable)
447989-001	17.0-inch, WXGA+, TFT, single lamp, BrightView display assembly for use only with computer models equipped with a camera (includes wireless antenna transceivers and cables)
447990-001	17.0-inch, SXGA+, TFT, single lamp, BrightView display assembly for use only with computer models equipped with a camera (includes wireless antenna transceivers and cables)
447991-001	17.0-inch, WXGA+, TFT, dual lamp, BrightView display assembly for use only with computer models not equipped with a camera (includes wireless antenna transceivers and cables)
447992-001	17.0-inch, WXGA+, TFT, single lamp, BrightView display assembly for use only with computer models not equipped with a camera (includes wireless antenna transceivers and cables)
447993-001	17.0-inch, SXGA+, TFT, single lamp, BrightView display assembly for use only with computer models not equipped with a camera (includes wireless antenna transceivers and cables)
447994-001	17.0-inch, SXGA+, TFT, dual lamp, BrightView display assembly for use only with computer models not equipped with a camera (includes wireless antenna transceivers and cables)
447997-001	Display bezel for use only with computer models equipped with a single lamp display assembly and camera
447998-001	Display bezel for use only with computer models equipped with a dual lamp display assembly and camera
448000-001	Display enclosure for use only with computer models equipped with a single lamp display assembly (includes logo and WLAN wireless antenna transceivers and cables)
448001-001	Display enclosure for use only with computer models equipped with a dual lamp display assembly (includes logo and WLAN wireless antenna transceivers and cables)
448002-001	Camera module (includes 2-sided tape)
448003-001	2048-MB memory module (667-MHz, PC2-5300, 1-DIMM)
448004-001	DVD±RW and CD-RW SuperMulti Double-Layer Combo Drive (includes bezel and bracket)
448005-001	DVD±RW and CD-RW SuperMulti Double-Layer Combo Drive with LightScribe (includes bezel and bracket)
448006-001	HD DVD-ROM Drive with SuperMulti DVD±R/RW Double Layer support (includes bezel and bracket)
448007-001	8-cell, 2.20-Ah battery
448010-001	Top cover for use only with computer models with Intel processors not equipped with a fingerprint reader (includes TouchPad and TouchPad cable)
448011-001	Top cover for use only with computer models with Intel processors equipped with a fingerprint reader (includes TouchPad, TouchPad cable, fingerprint reader board, and fingerprint reader board cable)
448012-001	Fingerprint reader board (not illustrated; includes fingerprint reader board cable)

<b>Spare part number</b>	<b>Description</b>
448014-001	Switch cover (includes LED board and LED board cable)
448015-001	Cable Kit (see <a href="#">Cable Kit on page 29</a> for more Cable Kit component information)
448016-001	Fan/heat sink assembly for computer models with Intel processors (includes heat sink and thermal material)
448017-001	Rubber Feet Kit (includes computer feet and display bezel rubber screw covers)
448304-001	Hard Drive Hardware Kit
448308-001	Base enclosure for use only in computer models with Intel processors equipped with discrete video system memory and a fingerprint reader (includes wireless on/off switch, power connector, power connector cable, and rear USB board cable)
448309-001	Base enclosure for use only in computer models equipped with Intel processors with discrete video system memory but not a fingerprint reader (includes wireless on/off switch, power connector, power connector cable, and rear USB board cable)
448310-001	Base enclosure for use only in computer models with Intel processors equipped with UMA video system memory and a fingerprint reader (includes wireless on/off switch, power connector, power connector cable, and rear USB board cable)
448311-001	Base enclosure for use only in computer models with Intel processors not equipped with discrete video system memory but not a fingerprint reader (includes wireless on/off switch, power connector, power connector cable, and rear USB board cable)
448312-001	Wireless antenna transceivers and cables for use only with computer models equipped with an 802.11a/b/g and 802.11b/g WLAN module
448313-001	Wireless antenna transceivers and cables for use only with computer models equipped with an 802.11a/b/g/n WLAN module
448435-001	Display switch module for use in computer models with Intel processors (includes display switch module cable)
448437-001	Rear USB board
449729-001	RTC battery (includes 2-sided tape)
449762-001	Front USB board (includes front USB board cable)
449763-001	Audio board (includes audio board cable)
449933-001	200-GB, 4200-rpm hard drive (includes hard drive bracket)
450159-001	Display enclosure (non-mica composition)
450370-001	Processor bracket (7.9)
450371-001	Processor bracket (8.1)
450799-001	System board for use only with computer models with AMD processors with discrete video system memory (includes modem module cable and hard drive thermal pads)
450800-001	System board for use only with computer models with AMD processors with UMA video system memory (includes modem module cable and hard drive thermal pads)
450801-001	AMD Turion TL-56 processor (1.8-GHz, 1-MB L2 cache)
450802-001	AMD Turion TL-58 processor (1.9-GHz, 1-MB L2 cache)
450803-001	AMD Turion TL-60 processor (2.0-GHz, 1-MB L2 cache)
450804-001	AMD Turion TL-66 processor (2.3-GHz, 1-MB L2 cache)

<b>Spare part number</b>	<b>Description</b>
450852-001	Top cover for use only with computer models with AMD processors equipped with a fingerprint reader (includes TouchPad, TouchPad cable, fingerprint reader board, and fingerprint reader board cable)
450853-001	Fingerprint reader board (not illustrated; includes fingerprint reader board cable)
450863-001	Fan/heat sink assemblies for use only with computer models equipped with AMD processors and UMA video system memory (includes heat sink and thermal material)
450864-001	Fan/heat sink assemblies for use only with computer models equipped with AMD processors and discrete video system memory (includes heat sink and thermal material)
450934-001	Fan/heat sink assembly for use only with computer models with Intel processors equipped with UMA video system memory
451861-001	802.11a/b/g WLAN module for use in Antigua & Barbuda, Argentina, Australia, the Bahamas, Barbados, Brunei, Canada, Chile, the Dominican Republic, Guam, Guatemala, Hong Kong, India, Indonesia, Malaysia, Mexico, New Zealand, Panama, Paraguay, Saudi Arabia, Taiwan, the United States, and Vietnam
451861-002	802.11a/b/g WLAN module for use in Aruba, Austria, Azerbaijan, Bahrain, Belgium, Bermuda, Brazil, Bulgaria, the Cayman Islands, Colombia, Croatia, Cyprus, the Czech Republic, Denmark, Egypt, El Salvador, Estonia, Finland, France, Georgia, Germany, Greece, Hungary, Iceland, Ireland, Italy, Jordan, Latvia, Lebanon, Liechtenstein, Lithuania, Luxembourg, Malta, Monaco, the Netherlands, Norway, Oman, the Philippines, Poland, Portugal, Romania, Russia, Serbia and Montenegro, Singapore, Slovakia, Slovenia, South Africa, Spain, Sri Lanka, Sweden, Switzerland, Turkey, the United Kingdom, and Uzbekistan
451861-003	802.11a/b/g WLAN module for use in Ecuador, Haiti, Honduras, Pakistan, Peru, the People's Republic of China, Qatar, South Korea, Uruguay, and Venezuela
451861-004	802.11b/g WLAN module for use in Thailand
451861-291	802.11a/b/g WLAN module for use in Japan
451865-001	802.11a/b/g WLAN module for use in Antigua & Barbuda, Argentina, Australia, the Bahamas, Barbados, Brunei, Canada, Chile, the Dominican Republic, Guam, Guatemala, Hong Kong, India, Indonesia, Malaysia, Mexico, New Zealand, Panama, Paraguay, Saudi Arabia, Taiwan, the United States, and Vietnam
451865-002	802.11a/b/g WLAN module for use in Aruba, Austria, Azerbaijan, Bahrain, Belgium, Bermuda, Brazil, Bulgaria, the Cayman Islands, Colombia, Croatia, Cyprus, the Czech Republic, Denmark, Egypt, El Salvador, Estonia, Finland, France, Georgia, Germany, Greece, Hungary, Iceland, Ireland, Italy, Jordan, Latvia, Lebanon, Liechtenstein, Lithuania, Luxembourg, Malta, Monaco, the Netherlands, Norway, Oman, the Philippines, Poland, Portugal, Romania, Russia, Serbia and Montenegro, Singapore, Slovakia, Slovenia, South Africa, Spain, Sri Lanka, Sweden, Switzerland, Turkey, the United Kingdom, and Uzbekistan
451865-003	802.11a/b/g WLAN module for use in Ecuador, Haiti, Honduras, Pakistan, Peru, the People's Republic of China, Qatar, South Korea, Uruguay, and Venezuela
451865-004	802.11b/g WLAN module for use in Thailand
451865-291	802.11a/b/g WLAN module for use in Japan
451868-001	8-cell, 2.55-Ah battery
453033-001	Intel Core Duo T5250e 1.50-GHz processor (2-MB L2 cache, 667-MHz FSB; includes thermal material)
453037-001	AMD Athlon TK-53 processor (1.7-GHz, 512-MB L2 cache)
453195-001	Intel Core Duo TJ85 1.67-GHz processor (2-MB L2 cache, 667-MHz FSB; includes thermal material)
453197-001	100-GB, 7200-rpm hard drive (includes hard drive bracket)
453198-001	90-watt AC adapter (for use only with computer models equipped with dual lamp display assemblies)
453199-001	65-watt AC adapter (for use only with computer models equipped with single lamp display assemblies)
453775-001	250-GB, 5400-rpm hard drive (includes hard drive bracket)



<b>Spare part number</b>	<b>Description</b>
454494-001	Base enclosure for use in computer models with AMD processors that are equipped with discrete video system memory and a fingerprint reader (include wireless on/off switch, power connector, power connector cable, and rear USB board cable)
454495-001	Base enclosure for use in computer models with AMD processors that are equipped discrete video system memory but not a fingerprint reader (include wireless on/off switch, power connector, power connector cable, and rear USB board cable)
454496-001	Base enclosure for use in computer models with AMD processors that are equipped with UMA video system memory and a fingerprint reader (include wireless on/off switch, power connector, power connector cable, and rear USB board cable)
454497-001	Base enclosure for use in computer models with AMD processors that are equipped with UMA video system memory but not a fingerprint reader (include wireless on/off switch, power connector, power connector cable, and rear USB board cable)
455944-001	Intel Core Duo T2330 1.6-GHz processor (L2 cache, 533-MHz FSB)
456023-001	AMD Turion TL-62 processor (2.1-GHz, 1-MB L2 cache)
456024-001	AMD Athlon TK-55 processor (1.86-GHz, 512-MB L2 cache)
462356-001	Blu-ray Disc ROM Drive with SuperMulti DVD±R/RW Double-Layer (DL) support

---

# 4 Removal and replacement procedures

## Preliminary replacement requirements

### Tools required


You will need the following tools to complete the removal and replacement procedures:

- Magnetic screwdriver
- Phillips P0 and P1 screwdrivers
- Flat-bladed screwdriver

### Service considerations

The following sections include some of the considerations that you must keep in mind during disassembly and assembly procedures.

---

 **NOTE:** As you remove each subassembly from the computer, place the subassembly (and all accompanying screws) away from the work area to prevent damage.

---

### Plastic parts

Using excessive force during disassembly and reassembly can damage plastic parts. Use care when handling the plastic parts. Apply pressure only at the points designated in the maintenance instructions.

## Cables and connectors

- 
- △ **CAUTION:** When servicing the computer, be sure that cables are placed in their proper locations during the reassembly process. Improper cable placement can damage the computer.
- 

Cables must be handled with extreme care to avoid damage. Apply only the tension required to unseat or seat the cables during removal and insertion. Handle cables by the connector whenever possible. In all cases, avoid bending, twisting, or tearing cables. Be sure that cables are routed in such a way that they cannot be caught or snagged by parts being removed or replaced. Handle flex cables with extreme care; these cables tear easily.

## Drive handling

- 
- △ **CAUTION:** Drives are fragile components that must be handled with care. To prevent damage to the computer, damage to a drive, or loss of information, observe these precautions:
- 

Before removing or inserting a hard drive, shut down the computer. If you are unsure whether the computer is off or in Hibernation, turn the computer on, and then shut it down through the operating system.

Before handling a drive, be sure that you are discharged of static electricity. While handling a drive, avoid touching the connector.

Before removing a diskette drive or optical drive, be sure that a diskette or disc is not in the drive and be sure that the optical drive tray is closed.

Handle drives on surfaces covered with at least one inch of shock-proof foam.

Avoid dropping drives from any height onto any surface.

After removing a hard drive, an optical drive, or a diskette drive, place it in a static-proof bag.

Avoid exposing a hard drive to products that have magnetic fields, such as monitors or speakers.

Avoid exposing a drive to temperature extremes or liquids.

If a drive must be mailed, place the drive in a bubble pack mailer or other suitable form of protective packaging and label the package "FRAGILE."

---

## Grounding guidelines

### Electrostatic discharge damage

Electronic components are sensitive to electrostatic discharge (ESD). Circuitry design and structure determine the degree of sensitivity. Networks built into many integrated circuits provide some protection, but in many cases, ESD contains enough power to alter device parameters or melt silicon junctions.

A discharge of static electricity from a finger or other conductor can destroy static-sensitive devices or microcircuitry. Even if the spark is neither felt nor heard, damage may have occurred.

An electronic device exposed to ESD may not be affected at all and can work perfectly throughout a normal cycle. Or the device may function normally for a while, then degrade in the internal layers, reducing its life expectancy.

- △ **CAUTION:** To prevent damage to the computer when you are removing or installing internal components, observe these precautions:

Keep components in their electrostatic-safe containers until you are ready to install them.

Use nonmagnetic tools.

Before touching an electronic component, discharge static electricity by using the guidelines described in this section.

Avoid touching pins, leads, and circuitry. Handle electronic components as little as possible.

If you remove a component, place it in an electrostatic-safe container.

The following table shows how humidity affects the electrostatic voltage levels generated by different activities.

- △ **CAUTION:** A product can be degraded by as little as 700 V.

Typical electrostatic voltage levels			
Event	Relative humidity		
	10%	40%	55%
Walking across carpet	35,000 V	15,000 V	7,500 V
Walking across vinyl floor	12,000 V	5,000 V	3,000 V
Motions of bench worker	6,000 V	800 V	400 V
Removing DIPS from plastic tube	2,000 V	700 V	400 V
Removing DIPS from vinyl tray	11,500 V	4,000 V	2,000 V
Removing DIPS from Styrofoam	14,500 V	5,000 V	3,500 V
Removing bubble pack from PCB	26,500 V	20,000 V	7,000 V
Packing PCBs in foam-lined box	21,000 V	11,000 V	5,000 V

## Packaging and transporting guidelines

Follow these grounding guidelines when packaging and transporting equipment:

- To avoid hand contact, transport products in static-safe tubes, bags, or boxes.
- Protect ESD-sensitive parts and assemblies with conductive or approved containers or packaging.
- Keep ESD-sensitive parts in their containers until the parts arrive at static-free workstations.
- Place items on a grounded surface before removing items from their containers.
- Always be properly grounded when touching a component or assembly.
- Store reusable ESD-sensitive parts from assemblies in protective packaging or nonconductive foam.
- Use transporters and conveyors made of antistatic belts and roller bushings. Be sure that mechanized equipment used for moving materials is wired to ground and that proper materials are selected to avoid static charging. When grounding is not possible, use an ionizer to dissipate electric charges.

## Workstation guidelines

Follow these grounding workstation guidelines:

- Cover the workstation with approved static-shielding material.
- Use a wrist strap connected to a properly grounded work surface and use properly grounded tools and equipment.
- Use conductive field service tools, such as cutters, screwdrivers, and vacuums.
- When fixtures must directly contact dissipative surfaces, use fixtures made only of static-safe materials.
- Keep the work area free of nonconductive materials, such as ordinary plastic assembly aids and Styrofoam.
- Handle ESD-sensitive components, parts, and assemblies by the case or PCM laminate. Handle these items only at static-free workstations.
- Avoid contact with pins, leads, or circuitry.
- Turn off power and input signals before inserting or removing connectors or test equipment.

## Equipment guidelines

Grounding equipment must include either a wrist strap or a foot strap at a grounded workstation.

- When seated, wear a wrist strap connected to a grounded system. Wrist straps are flexible straps with a minimum of one megohm  $\pm 10\%$  resistance in the ground cords. To provide proper ground, wear a strap snugly against the skin at all times. On grounded mats with banana-plug connectors, use alligator clips to connect a wrist strap.
- When standing, use foot straps and a grounded floor mat. Foot straps (heel, toe, or boot straps) can be used at standing workstations and are compatible with most types of shoes or boots. On conductive floors or dissipative floor mats, use foot straps on both feet with a minimum of one megohm resistance between the operator and ground. To be effective, the conductive strips must be worn in contact with the skin.

The following grounding equipment is recommended to prevent electrostatic damage:

- Antistatic tape
- Antistatic smocks, aprons, and sleeve protectors
- Conductive bins and other assembly or soldering aids
- Nonconductive foam
- Conductive tabletop workstations with ground cords of one megohm resistance
- Static-dissipative tables or floor mats with hard ties to the ground
- Field service kits
- Static awareness labels
- Material-handling packages
- Nonconductive plastic bags, tubes, or boxes
- Metal tote boxes
- Electrostatic voltage levels and protective materials

The following table lists the shielding protection provided by antistatic bags and floor mats.

Material	Use	Voltage protection level
Antistatic plastic	Bags	1,500 V
Carbon-loaded plastic	Floor mats	7,500 V
Metallized laminate	Floor mats	5,000 V

## Unknown user password

If the computer you are servicing has an unknown user password, follow these steps to clear the password.



---

**NOTE:** These steps also clear CMOS.

---

Before disassembling the computer, follow these steps:

1. Shut down the computer. If you are unsure whether the computer is off or in Hibernation, turn the computer on, and then shut it down through the operating system.
2. Disconnect all external devices connected to the computer.
3. Disconnect the power from the computer by first unplugging the power cord from the AC outlet and then unplugging the AC adapter from the computer.
4. Remove the battery (see [Battery on page 47](#)).
5. Remove the RTC battery (see [RTC battery on page 56](#)).
6. Wait approximately 5 minutes.
7. Replace the RTC battery and reassemble the computer.
8. Connect AC power to the computer. Do not reinsert any batteries at this time.
9. Turn on the computer.

All passwords and all CMOS settings have been cleared.

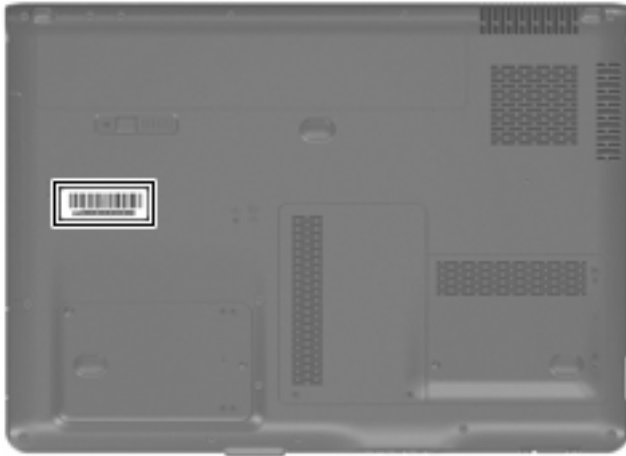
## Component replacement procedures

This chapter provides removal and replacement procedures.

There are as many as 107 screws, in 14 different sizes, that must be removed, replaced, or loosened when servicing the computer. Make special note of each screw size and location during removal and replacement.

### Serial number

Report the computer serial number to HP when requesting information or ordering spare parts. The serial number is located on the bottom of the computer.





## Battery

Description	Spare part number
8-cell, 2.55-Ah battery	434674-001 and 451868-001
8-cell, 2.20-Ah battery	448007-001

Before disassembling the computer, follow these steps:

1. Shut down the computer. If you are unsure whether the computer is off or in Hibernation, turn the computer on, and then shut it down through the operating system.
2. Disconnect all external devices connected to the computer.
3. Disconnect the power from the computer by first unplugging the power cord from the AC outlet and then unplugging the AC adapter from the computer.


Remove the battery:

1. Turn the computer upside down on a flat surface.
2. Slide the battery release latch (1) to release the computer.
3. Pivot the battery (2) upward and remove it from the computer.



To insert the battery, insert the rear edge of the battery into the battery bay and pivot the front edge of the battery downward until it is seated. The battery release latch automatically locks the battery into place.

## Camera module

 **NOTE:** If it has been determined that the camera module is the component that must be replaced to complete the computer repair, the display assembly does not have to be removed. Follow the procedures in this section to replace the camera module. For information on replacing the display assembly and other display assembly internal components, see [Display assembly on page 69](#).

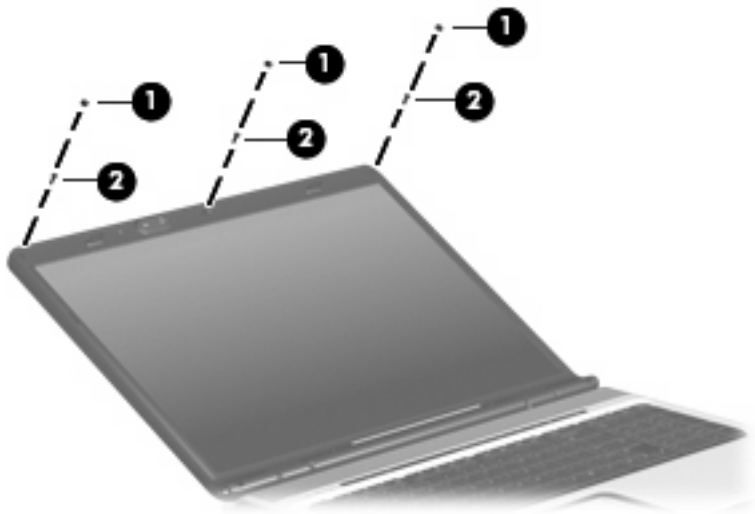
Description	Spare part number
Camera module (includes 2-sided tape)	448002-001

Before removing the camera module, follow these steps:

1. Shut down the computer. If you are unsure whether the computer is off or in Hibernation, turn the computer on, and then shut it down through the operating system.
2. Disconnect all external devices connected to the computer.
3. Disconnect the power from the computer by first unplugging the power cord from the AC outlet and then unplugging the AC adapter from the computer.
4. Remove the battery (see [Battery on page 47](#)).

Remove the camera module:

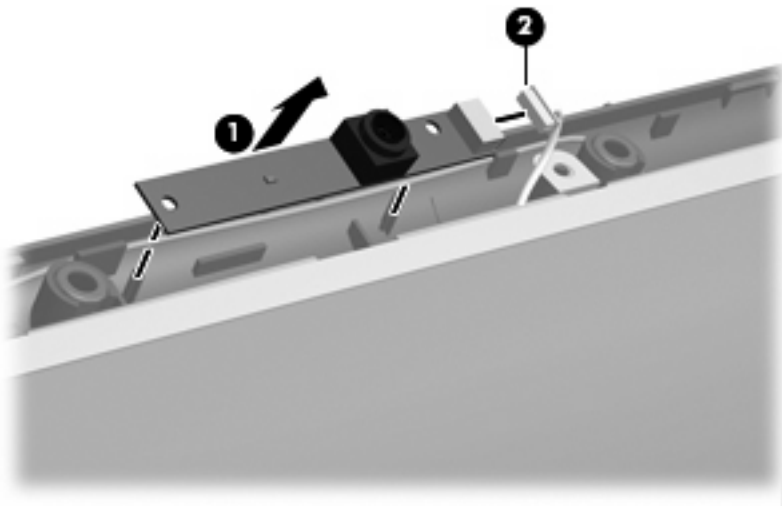
1. Turn the computer display-side up, with the front toward you.
2. Open the computer as far as possible.
3. Remove the three rubber screw covers **(1)** on the display bezel top edge. The display rubber screw covers are included in the Display Screw Kit, spare part number 432967-001.
4. Remove the three Phillips PM2.5×8.0 screws **(2)** on the display bezel top edge.



5. Flex the inside edges of the left and right sides (1) and the top edge (2) of the display bezel until the bezel disengages from the display enclosure.




6. Release the camera module (1) from the display enclosure as far as the camera module cable allows.
7. Disconnect the camera module cable (2) from the camera module.



8. Remove the camera module.

Reverse this procedure to install the camera module.

## Display inverter

 **NOTE:** If it has been determined that the display inverter is the component that must be replaced to complete the computer repair, the display assembly does not have to be removed. Follow the procedures in this section to replace the display inverter. For information on replacing the display assembly and other display assembly internal components, see [Display assembly on page 69](#).

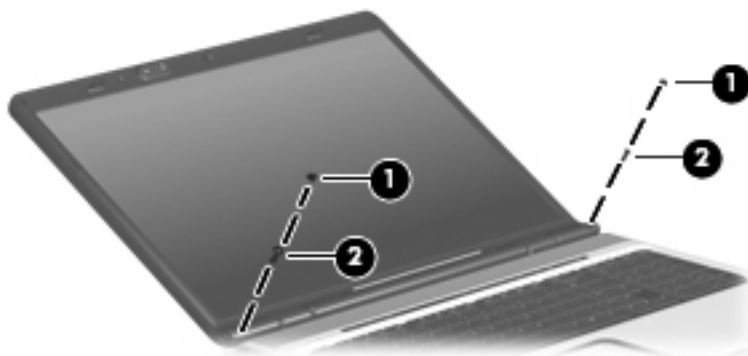
Description	Spare part number
For use only with computer models equipped with dual lamp display assemblies	432959-001
For use only with computer models equipped with single lamp display assemblies	431391-001

Before removing the display inverter, follow these steps:

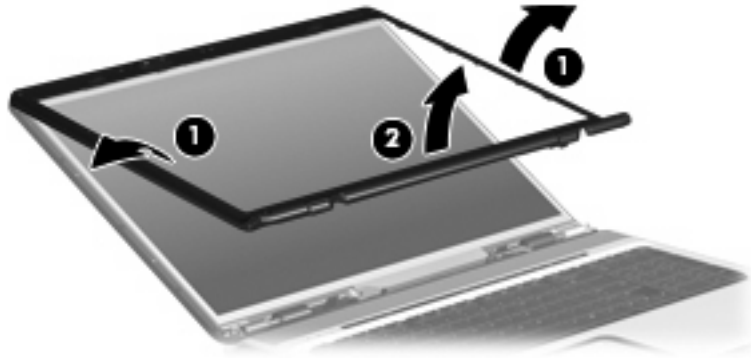
1. Shut down the computer. If you are unsure whether the computer is off or in Hibernation, turn the computer on, and then shut it down through the operating system.
2. Disconnect all external devices connected to the computer.
3. Disconnect the power from the computer by first unplugging the power cord from the AC outlet and then unplugging the AC adapter from the computer.
4. Remove the battery (see [Battery on page 47](#)).

Remove the display inverter:

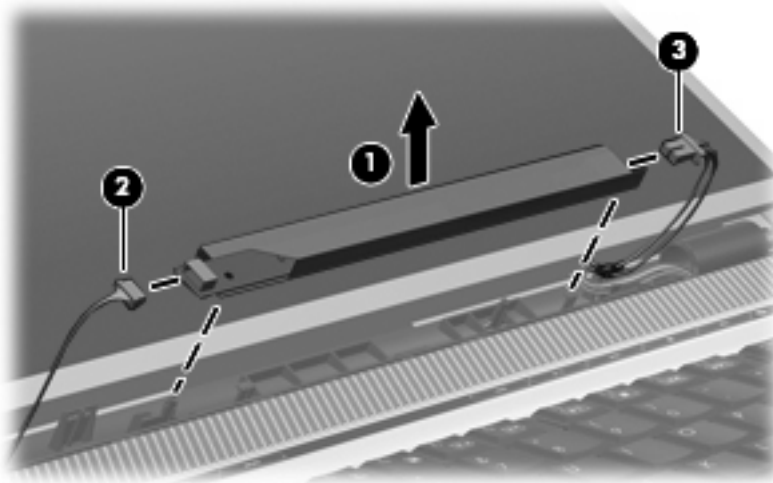
1. Turn the computer display-side up, with the front toward you.
2. Open the computer as far as possible.
3. Remove the two rubber screw covers (1) on the display bezel bottom edge. The display rubber screw covers are included in the Display Screw Kit, spare part number 432967-001.
4. Remove the two Phillips PM2.5×8.0 screws (2) that secure the display bezel bottom edge to the display assembly.



5. Flex the inside edges of the left and right sides **(1)** and the bottom edge **(2)** of the display bezel until the bezel disengages from the display enclosure.



6. Release the display inverter **(1)** as far as the display panel cable and the backlight cable allow.
7. Disconnect the display panel cable **(2)** and the backlight cable **(3)** from the display inverter.



8. Remove the display inverter.

Reverse this procedure to install the display inverter.

## Hard drive

 **NOTE:** All hard drive spare part kits include a hard drive bracket.

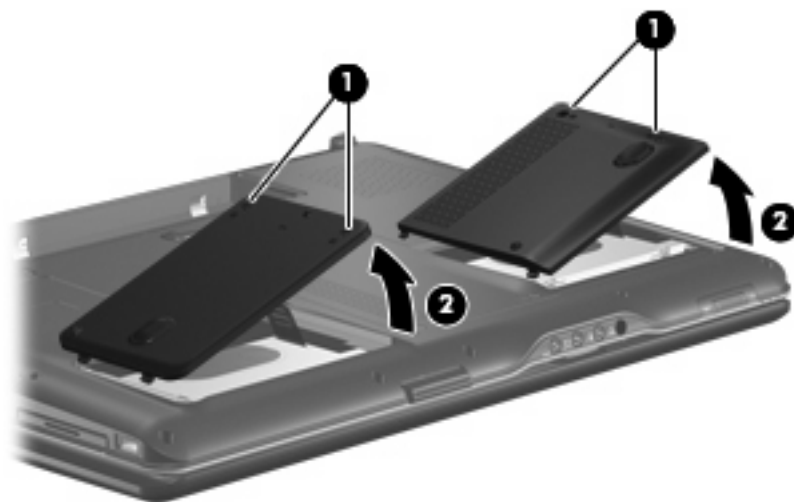
Description	Spare part number
250-GB, 5400-rpm	453775-001
200-GB, 4200-rpm	441424-001
200-GB, 4200-rpm	449933-001
160-GB, 5400-rpm	438485-001
120-GB, 5400-rpm	446498-001
100-GB, 7200-rpm	453197-001
80-GB, 5400-rpm	446497-001

Before removing the hard drive, follow these steps:

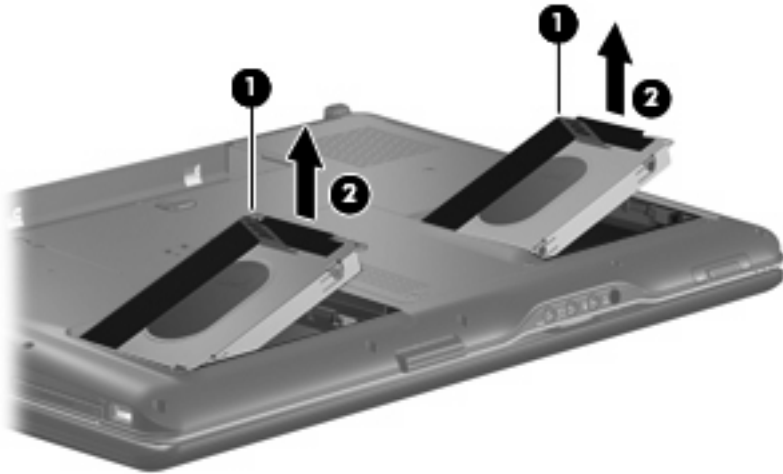
1. Shut down the computer. If you are unsure whether the computer is off or in Hibernation, turn the computer on, and then shut it down through the operating system.
2. Disconnect all external devices connected to the computer.
3. Disconnect the power from the computer by first unplugging the power cord from the AC outlet and then unplugging the AC adapter from the computer.
4. Remove the battery (see [Battery on page 47](#)).

Remove the hard drive:

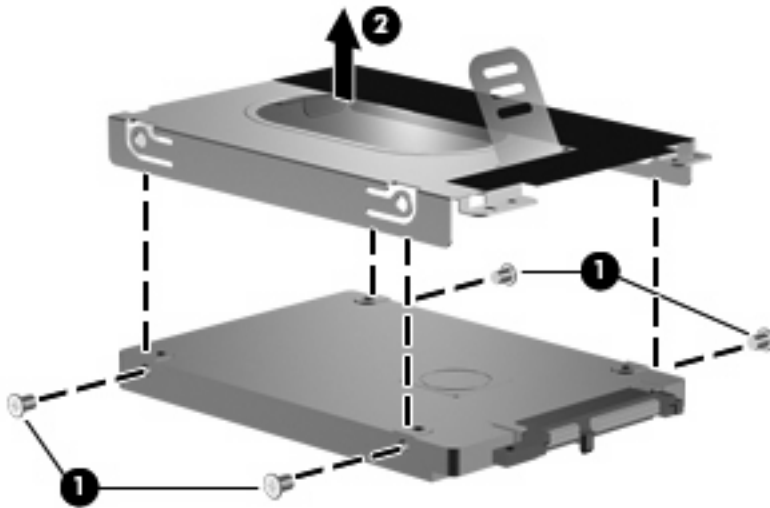
1. Position the computer with the front toward you.
2. Loosen the two Phillips PM2.5×8.0 captive screws (1) that secure each hard drive cover to the computer.
3. Lift the right side of the hard drive cover (2), swing it to left, and then remove the cover. The hard drive cover is included in the Plastics Kit, spare part number 432981-001.



4. Use the Mylar tab (1) to lift the hard drive (2) until it disconnects from the computer.



5. Remove the hard drive from the hard drive bay.
6. If it is necessary to replace the hard drive bracket, remove the four Phillips PM3.0×4.0 screws (1) that secure the hard drive bracket to the hard drive.
7. Lift the bracket (2) straight up to remove it from the hard drive.

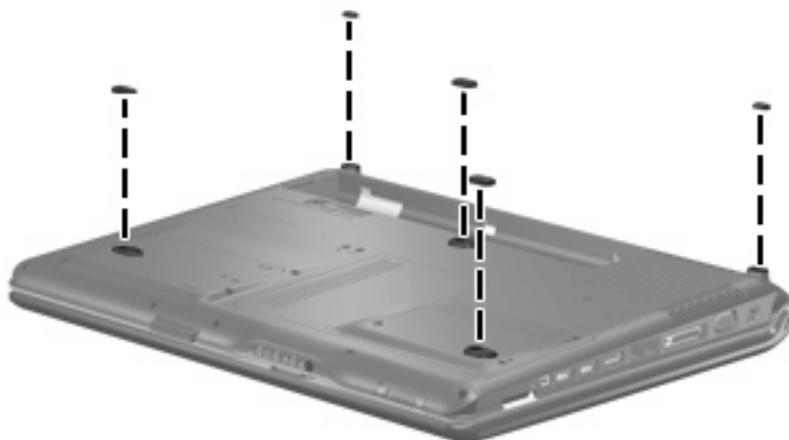


Reverse this procedure to reassemble and install the hard drive.

## Computer feet

Description	Spare part number
Rubber Feet Kit (includes computer feet and display bezel rubber screw covers)	448017-001

The computer feet are adhesive-backed rubber pads. The feet attach to the base enclosure in the locations illustrated below.



## Memory module

Description	Spare part number
2048-MB (667-MHz, PC2-5300, 1-DIMM)	448003-001
1024-MB (667-MHz, PC2-5300, 1-DIMM)	446495-001
512-MB (667-MHz, PC2-5300, 1-DIMM)	446494-001

Before removing the memory module, follow these steps:

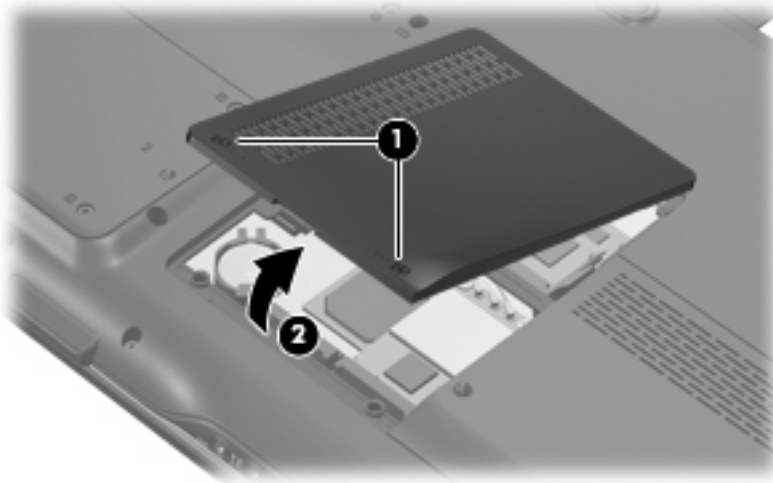
1. Shut down the computer. If you are unsure whether the computer is off or in Hibernation, turn the computer on, and then shut it down through the operating system.
2. Disconnect all external devices connected to the computer.
3. Disconnect the power from the computer by first unplugging the power cord from the AC outlet and then unplugging the AC adapter from the computer.
4. Remove the battery (see [Battery on page 47](#)).

Remove the memory module:


1. Position the computer with the front toward you.
2. Loosen the two Phillips PM2.5×5.0 captive screws (1) that secure the memory/WLAN module compartment cover to the computer.

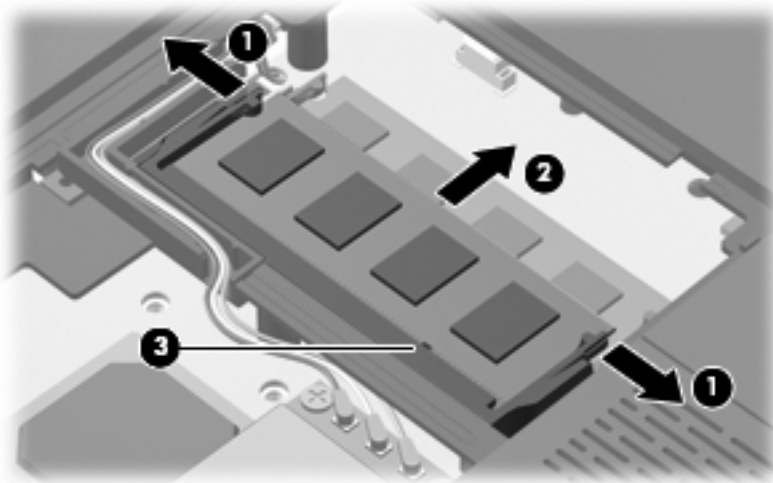


3. Lift the front of the cover (2), swing it toward the back of the computer, and then remove the cover. The memory/WLAN module compartment cover is included in the Plastics Kit, spare part number 432981-001.




4. Spread the retaining tabs (1) on each side of the memory module slot to release the memory module. (The edge of the module opposite the slot rises away from the computer.)
5. Remove the module (2) by pulling it away from the slot at an angle.

 **NOTE:** Memory modules are designed with a notch (3) to prevent incorrect installation into the memory module slot.



Reverse this procedure to install a memory module.

## RTC battery

 **NOTE:** Removing the RTC battery and leaving it uninstalled for 5 or more minutes causes all passwords and CMOS settings to be cleared.

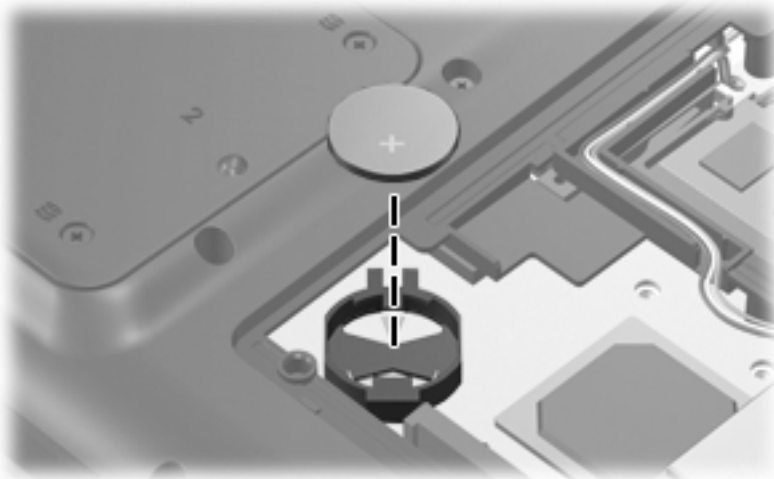
Description	Spare part number
RTC battery (includes 2-sided tape)	449729-001


Before removing the RTC battery, follow these steps:

1. Shut down the computer. If you are unsure whether the computer is off or in Hibernation, turn the computer on, and then shut it down through the operating system.
2. Disconnect all external devices connected to the computer.
3. Disconnect the power from the computer by first unplugging the power cord from the AC outlet and then unplugging the AC adapter from the computer.
4. Remove the battery (see [Battery on page 47](#)).
5. Remove the memory/WLAN module compartment cover (see [Memory module on page 54](#)).

Remove the RTC battery:

- Remove the RTC battery from the socket on the system board.



 **NOTE:** The RTC battery is secured to the computer by 2-sided tape. All replacement RTC battery spare part kits include 2-sided tape.

Reverse this procedure to install the RTC battery. Be sure the RTC battery is installed with the “+” sign facing up.

## WLAN module

Description	Spare part number
Intel 802.11a/b/g/n WLAN modules:	
<ul style="list-style-type: none"> <li>For use in Antigua &amp; Barbuda, Argentina, Aruba, the Bahamas, Barbados, Bermuda, Brunei, Canada, the Cayman Islands, Chile, Colombia, Costa Rica, the Dominican Republic, Ecuador, El Salvador, Guam, Guatemala, Haiti, Honduras, Hong Kong, India, Indonesia, Malaysia, Mexico, Panama, Paraguay, Peru, Saudi Arabia, Taiwan, Uruguay, the United States, Venezuela, and Vietnam</li> </ul>	441086-001
<ul style="list-style-type: none"> <li>For use in Austria, Azerbaijan, Bahrain, Belgium, Brazil, Bulgaria, Croatia, Cyprus, the Czech Republic, Denmark, Egypt, Estonia, Finland, France, Georgia, Germany, Greece, Hungary, Iceland, Ireland, Israel, Italy, Latvia, Lebanon, Liechtenstein, Lithuania, Luxembourg, Malta, Monaco, the Netherlands, Norway, Oman, the Philippines, Poland, Portugal, Qatar, Romania, Russia, Serbia and Montenegro, Singapore, Slovakia, Slovenia, South Africa, Spain, Sri Lanka, Sweden, Switzerland, Turkey, Ukraine, the United Kingdom, and Uzbekistan</li> </ul>	441086-002 and 441087-002
<ul style="list-style-type: none"> <li>For use in Australia, New Zealand, Pakistan, the People's Republic of China, and South Korea</li> </ul>	441086-003 and 441088-003
<ul style="list-style-type: none"> <li>For use in Japan</li> </ul>	441086-291 and 441089-291
<ul style="list-style-type: none"> <li>For use in South Korea</li> </ul>	441086-AD1
Broadcom 802.11a/b/g WLAN modules:	
<ul style="list-style-type: none"> <li>For use in Antigua &amp; Barbuda, Argentina, Australia, the Bahamas, Barbados, Brunei, Canada, Chile, the Dominican Republic, Guam, Guatemala, Hong Kong, India, Indonesia, Malaysia, Mexico, New Zealand, Panama, Paraguay, Saudi Arabia, Taiwan, the United States, and Vietnam</li> </ul>	407674-001, 451861-001, and 451865-001
<ul style="list-style-type: none"> <li>For use in Aruba, Austria, Azerbaijan, Bahrain, Belgium, Bermuda, Brazil, Bulgaria, the Cayman Islands, Colombia, Croatia, Cyprus, the Czech Republic, Denmark, Egypt, El Salvador, Estonia, Finland, France, Georgia, Germany, Greece, Hungary, Iceland, Ireland, Italy, Jordan, Latvia, Lebanon, Liechtenstein, Lithuania, Luxembourg, Malta, Monaco, the Netherlands, Norway, Oman, the Philippines, Poland, Portugal, Romania, Russia, Serbia and Montenegro, Singapore, Slovakia, Slovenia, South Africa, Spain, Sri Lanka, Sweden, Switzerland, Turkey, the United Kingdom, and Uzbekistan</li> </ul>	407674-002, 451861-002, and 451865-002
<ul style="list-style-type: none"> <li>For use in Ecuador, Haiti, Honduras, Pakistan, Peru, the People's Republic of China, Qatar, South Korea, Uruguay, and Venezuela</li> </ul>	407674-003, 451861-003, and 451865-003
<ul style="list-style-type: none"> <li>For use in Japan</li> </ul>	407674-291, 451861-291, and 451865-291
Broadcom 802.11b/g WLAN module for use in Thailand	407674-004, 451861-004, and 451865-004
Broadcom 802.11b/g WLAN modules:	
<ul style="list-style-type: none"> <li>For use in the United States and Canada</li> </ul>	441090-001
<ul style="list-style-type: none"> <li>For use in France, Germany, Italy, the Netherlands, Spain, the United Kingdom, Nordic region, and India</li> </ul>	441090-002
Broadcom 4311AG 802.11a/b/g modules:	
<ul style="list-style-type: none"> <li>For use in the United States and Canada</li> </ul>	441075-001
<ul style="list-style-type: none"> <li>For use in France, Germany, Italy, the Netherlands, Spain, the United Kingdom, Nordic region, and India</li> </ul>	441075-002


Description	Spare part number
Broadcom 4321AGN 802.11a/b/g/n modules:	
<ul style="list-style-type: none"> <li>For use in the United States and Canada</li> </ul>	434661-001
<ul style="list-style-type: none"> <li>For use in France, Germany, Italy, the Netherlands, Spain, the United Kingdom, Nordic region, and India</li> </ul>	434661-002

Before removing the WLAN module, follow these steps:

1. Shut down the computer. If you are unsure whether the computer is off or in Hibernation, turn the computer on, and then shut it down through the operating system.
2. Disconnect all external devices connected to the computer.
3. Disconnect the power from the computer by first unplugging the power cord from the AC outlet and then unplugging the AC adapter from the computer.
4. Remove the battery (see [Battery on page 47](#)).
5. Remove the memory/WLAN module compartment cover (see [Memory module on page 54](#)).


Remove the WLAN module:

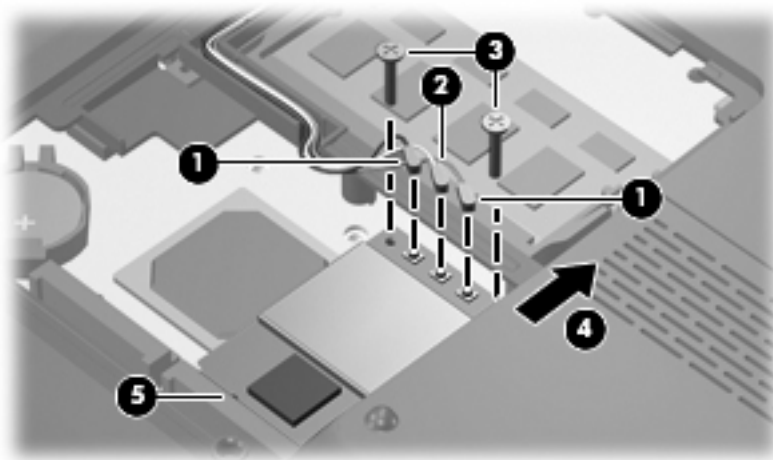
1. Disconnect the WLAN antenna cables (1) from the WLAN module.

 **NOTE:** The black WLAN antenna cable is connected to the WLAN module “Main” terminal. The white WLAN antenna cable is connected to the WLAN module “Aux” terminal.

**NOTE:** Computer models equipped with an 802.11ab/g/n WLAN module will have an additional wireless antenna cable (2), yellow in color.


2. Remove the two Phillips PM2.0×11.0 screws (3) that secure the WLAN module to the computer. (The edge of the module opposite the slot rises away from the computer.)
3. Remove the WLAN module (4) by pulling it away from the slot at an angle.

 **NOTE:** WLAN modules are designed with a notch (5) to prevent incorrect installation into the WLAN module slot.



Reverse this procedure to install a WLAN module.

## Optical drive

 **NOTE:** All optical drive spare part kits include an optical drive bezel and bracket.

Description	Spare part number
Blu-ray Disc ROM Drive with SuperMulti DVD±R/RW Double-Layer (DL) support	462356-001
HD DVD-ROM Drive with SuperMulti DVD±R/RW Double Layer support with LightScribe	448006-001
DVD±RW and CD-RW SuperMulti Double-Layer Combo Drive with LightScribe	448005-001
DVD±RW and CD-RW SuperMulti Double-Layer Combo Drive	448004-001

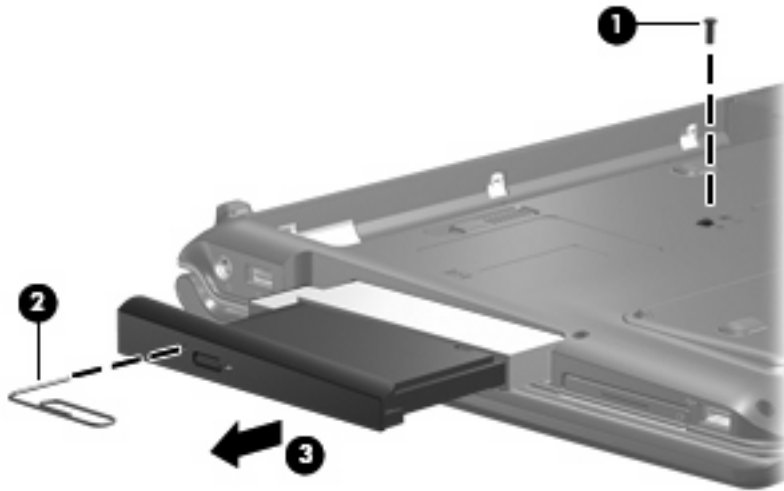
Before removing the optical drive, follow these steps:

1. Shut down the computer. If you are unsure whether the computer is off or in Hibernation, turn the computer on, and then shut it down through the operating system.
2. Disconnect all external devices connected to the computer.
3. Disconnect the power from the computer by first unplugging the power cord from the AC outlet and then unplugging the AC adapter from the computer.
4. Remove the battery (see [Battery on page 47](#)).

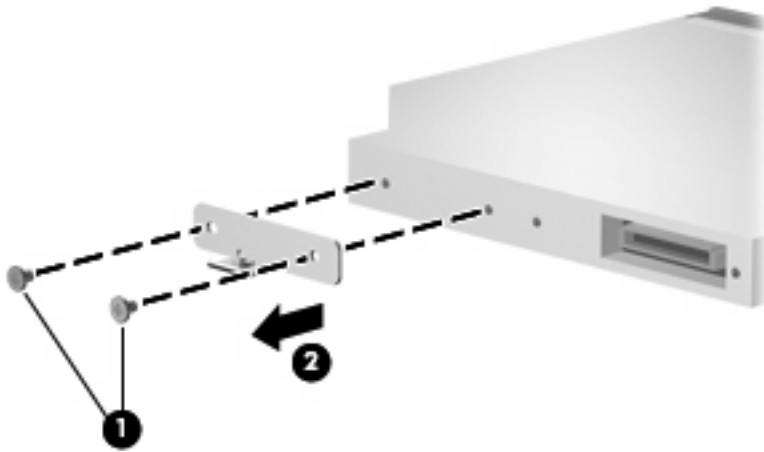
Remove the optical drive:

1. Position the computer with right side toward you.
2. Remove the Phillips PM2.5×8.0 screw **(1)** that secures the optical drive to the computer.
3. Insert a thin tool, such as a paper clip **(2)**, into the disc tray release access hole. (The optical drive disc tray is partially ejected from the optical drive.)
4. Use the disc tray frame to slide the optical drive **(3)** out of the computer.

5. Remove the optical drive.



6. If it is necessary to replace the optical drive bracket, position the optical drive with the optical drive bracket toward you.
7. Remove the two Phillips PM2.0×3.0 screws (1) that secure the optical drive bracket to the optical drive.
8. Remove the optical drive bracket (2).



Reverse the above procedure to reassemble and install the optical drive.

## Switch cover

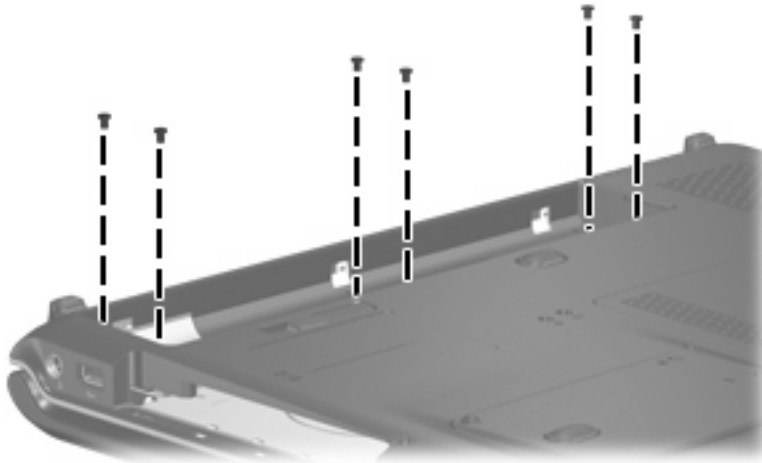
Description	Spare part number
Switch cover (includes LED board and LED board cable)	448014-001

Before removing the switch cover, follow these steps:

1. Shut down the computer. If you are unsure whether the computer is off or in Hibernation, turn the computer on, and then shut it down through the operating system.
2. Disconnect all external devices connected to the computer.
3. Disconnect the power from the computer by first unplugging the power cord from the AC outlet and then unplugging the AC adapter from the computer.
4. Remove the battery (see [Battery on page 47](#)).

Remove the switch cover:

1. Position the computer with the front toward you.
2. Remove the six Phillips PM2.5×5.0 screws that secure the switch cover to the computer.

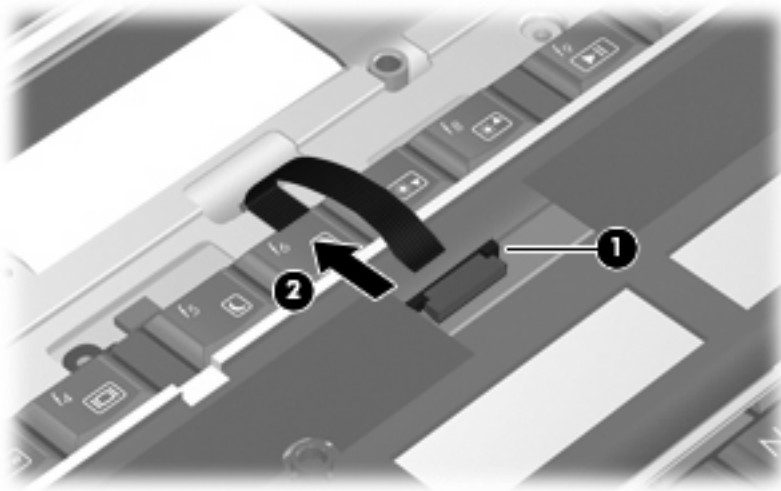


3. Turn the computer display-side up, with the front toward you.
4. Open the computer as far as possible.

5. Lift the rear edge of the switch cover and swing it forward until it rests on the keyboard.



6. Release the zero insertion force (ZIF) connector (1) to which the LED board cable is connected and disconnect the cable (2) from the LED board.



7. Remove the switch cover.

Reverse this procedure to install the switch cover.



## Keyboard

Description			
For use in:	Spare part number	For use in:	Spare part number
Belgium	441541-A41	Latin America	441541-161
Denmark, Finland, Norway, and Sweden	441541-DH1	Portugal	441541-131
France	441541-051	Russia	441541-251
French Canada	441541-121	Saudi Arabia	441541-171
Germany	441541-041	Spain	441541-071
Greece	441541-151	Switzerland	441541-111
International	441541-B31	Thailand	441541-281
Israel	441541-BB1	Turkey	441541-141
Italy	441541-061	The United Kingdom	441541-031
Japan	441541-291	The United States	441541-001
South Korea	441541-AD1		

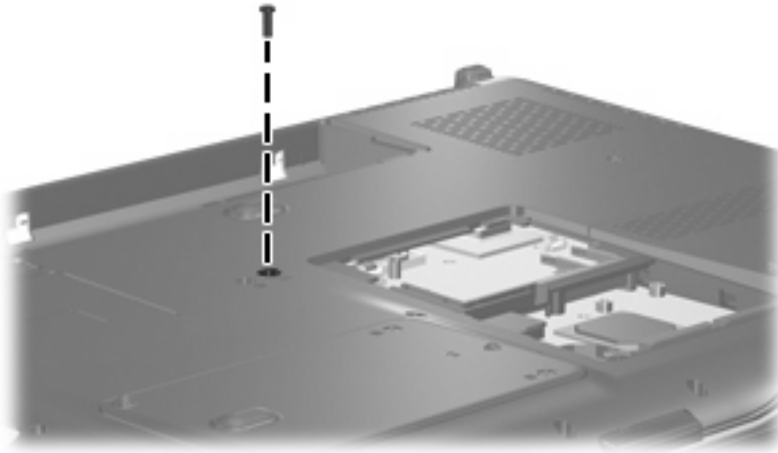
Before removing the keyboard, follow these steps:

1. Shut down the computer. If you are unsure whether the computer is off or in Hibernation, turn the computer on, and then shut it down through the operating system.
2. Disconnect all external devices connected to the computer.
3. Disconnect the power from the computer by first unplugging the power cord from the AC outlet and then unplugging the AC adapter from the computer.
4. Remove the battery (see [Battery on page 47](#)).
5. Remove the switch cover (see [Switch cover on page 61](#)).

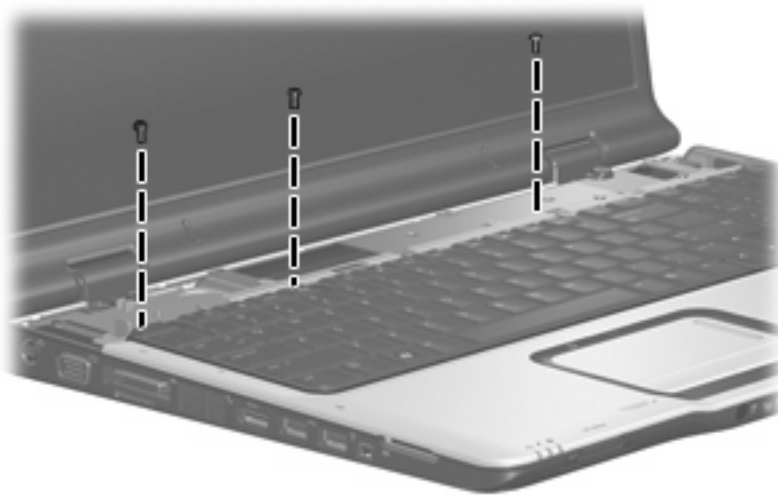
Remove the keyboard:

1. Turn the computer upside down, with the front toward you.

2. Remove the Phillips PM2.5×8.0 screw that secures the keyboard to the computer.

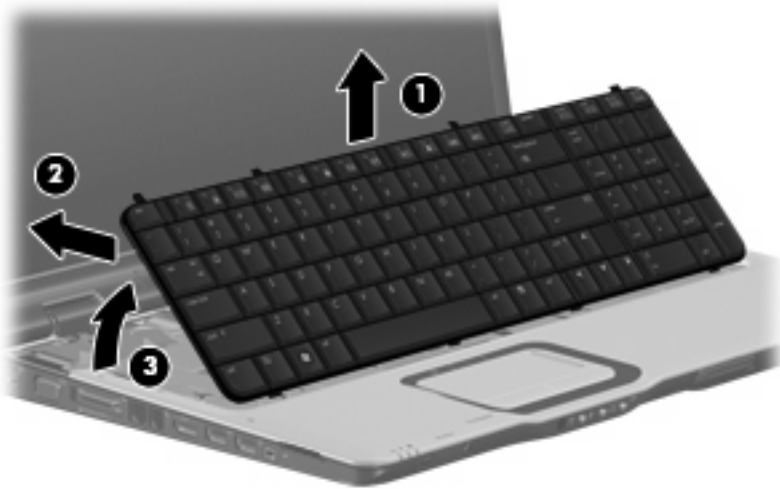


3. Turn the computer display-side up, with the front toward you.
4. Open the computer as far as possible.
5. Remove the three silver Phillips PM2.5×5.0 screws that secure the keyboard to the computer.

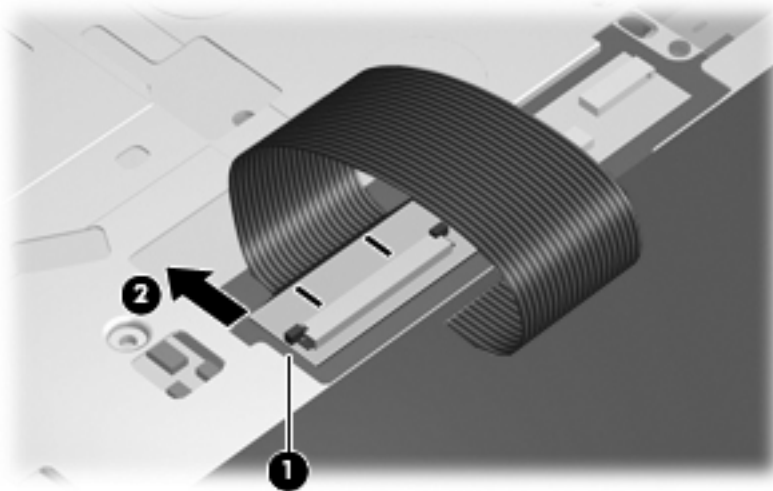


6. Lift the rear edge of the keyboard (1) until it rests at an angle.
7. Slide the keyboard (2) back to disengage the tabs on the front edge of the keyboard from the top cover.

8. Swing the keyboard **(3)** up and forward until it rests on the palm rest.



9. Release the ZIF connector **(1)** to which the keyboard cable is attached and disconnect the keyboard cable **(2)**.



10. Remove the keyboard.

Reverse this procedure to install the keyboard.

## Speaker assembly

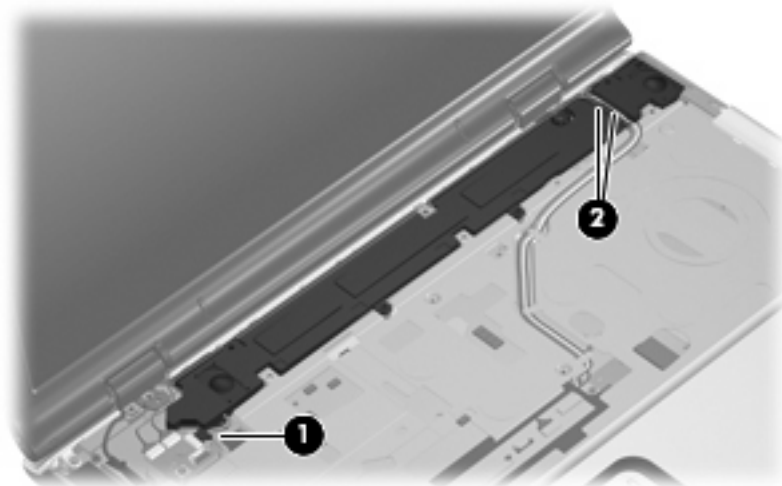
Description	Spare part number
Speaker assembly	432994-001

Before removing the speaker assembly, follow these steps:

1. Shut down the computer. If you are unsure whether the computer is off or in Hibernation, turn the computer on, and then shut it down through the operating system.
2. Disconnect all external devices connected to the computer.
3. Disconnect the power from the computer by first unplugging the power cord from the AC outlet and then unplugging the AC adapter from the computer.
4. Remove the battery (see [Battery on page 47](#)).
5. Remove the switch cover (see [Switch cover on page 61](#)).
6. Remove the keyboard (see [Keyboard on page 63](#)).

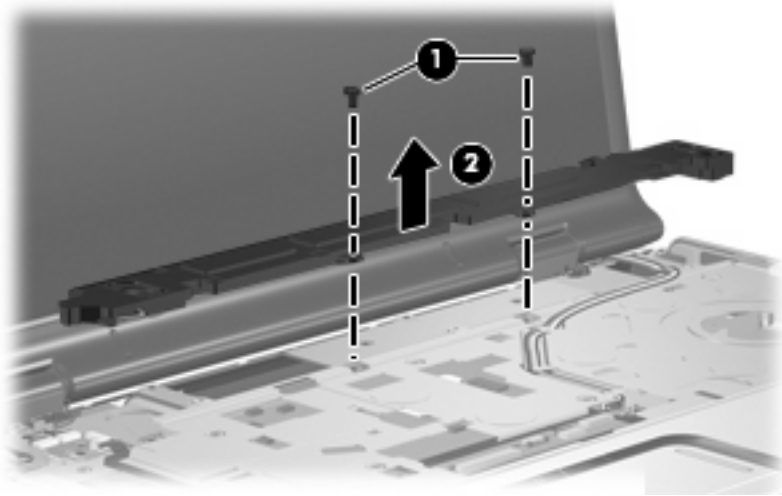
Remove the speaker assembly:

1. Disconnect the speaker assembly cable (1) from the power button board.
2. Remove the wireless antenna cables and microphone cable from the clips (2) in the speaker assembly.



3. Remove the two black Phillips PM2.5×5.0 screws (1) that secure the speaker assembly to the computer.

4. Remove the speaker assembly (2).



Reverse this procedure to install the speaker assembly.

## Power button board

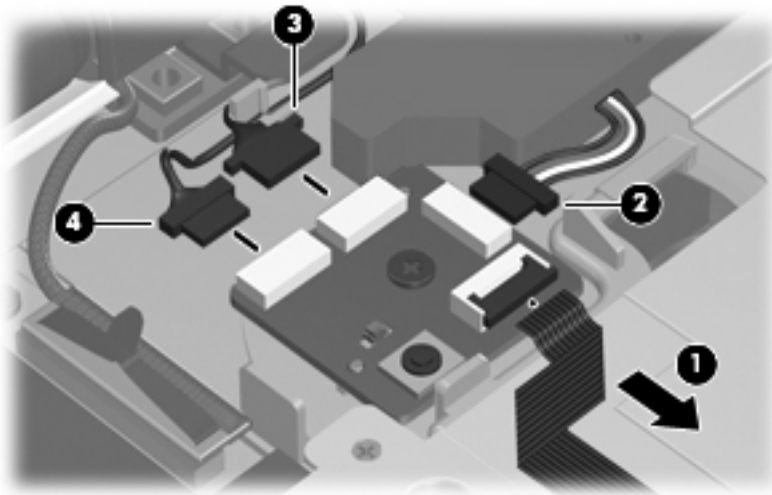
Description	Spare part number
Power button board (includes power button board cable)	432987-001

Before removing the power button board, follow these steps:

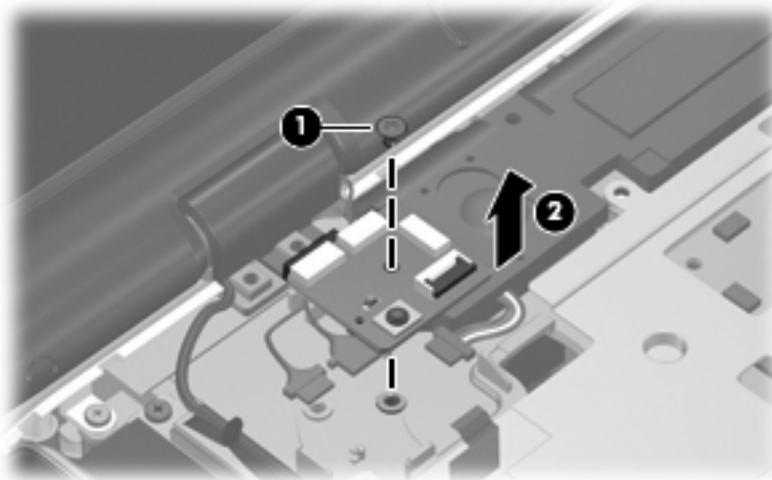
1. Shut down the computer. If you are unsure whether the computer is off or in Hibernation, turn the computer on, and then shut it down through the operating system.
2. Disconnect all external devices connected to the computer.
3. Disconnect the power from the computer by first unplugging the power cord from the AC outlet and then unplugging the AC adapter from the computer.
4. Remove the battery (see [Battery on page 47](#)).
5. Remove the switch cover (see [Switch cover on page 61](#)).
6. Remove the keyboard (see [Keyboard on page 63](#)).

Remove the power button board:

1. Disconnect the following cables from the power button board:
  - (1) Power button board cable
  - (2) Speaker assembly cable
  - (3) Display switch module cable
  - (4) Microphone cable



2. Remove the silver Phillips PM2.5×5.0 screw (1) that secures the power button board to the computer.
3. Remove the power button board (2).



Reverse this procedure to install the power button board.

## Display assembly

Description	Spare part number
17.0-inch, WXGA+, TFT, dual lamp, BrightView display assembly for use only with computer models equipped with a camera (includes wireless antenna transceivers and cables)	447991-001
17.0-inch, SXGA+, TFT, single lamp, BrightView display assembly for use only with computer models equipped with a camera (includes wireless antenna transceivers and cables)	447990-001
17.0-inch, WXGA+, TFT, single lamp, BrightView display assembly for use only with computer models equipped with a camera (includes wireless antenna transceivers and cables)	447989-001
17.0-inch, WXGA+, TFT, dual lamp, BrightView display assembly for use only with not equipped with a camera (includes wireless antenna transceivers and cables)	447994-001
17.0-inch, SXGA+, TFT, single lamp, BrightView display assembly for use only with not equipped with a camera (includes wireless antenna transceivers and cables)	447993-001
17.0-inch, WXGA+, TFT, single lamp, BrightView display assembly for use only with not equipped with a camera (includes wireless antenna transceivers and cables)	447992-001

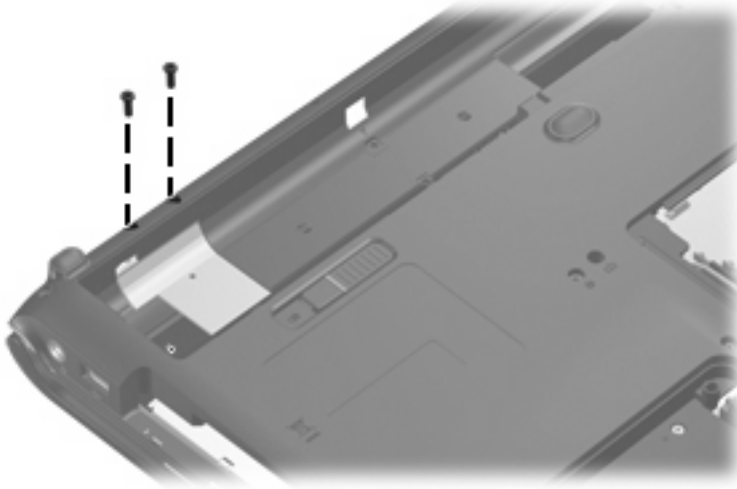
Before removing the display assembly, follow these steps:

1. Shut down the computer. If you are unsure whether the computer is off or in Hibernation, turn the computer on, and then shut it down through the operating system.
2. Disconnect all external devices connected to the computer.
3. Disconnect the power from the computer by first unplugging the power cord from the AC outlet and then unplugging the AC adapter from the computer.
4. Remove the battery (see [Battery on page 47](#)).
5. Remove the memory/WLAN module compartment cover (see [Memory module on page 54](#)).
6. Disconnect the wireless antenna cables from the WLAN module (see [WLAN module on page 57](#)).
7. Remove the following components:
  - a. Switch cover (see [Switch cover on page 61](#))
  - b. Keyboard (see [Keyboard on page 63](#))
  - c. Speaker assembly (see [Speaker assembly on page 66](#))

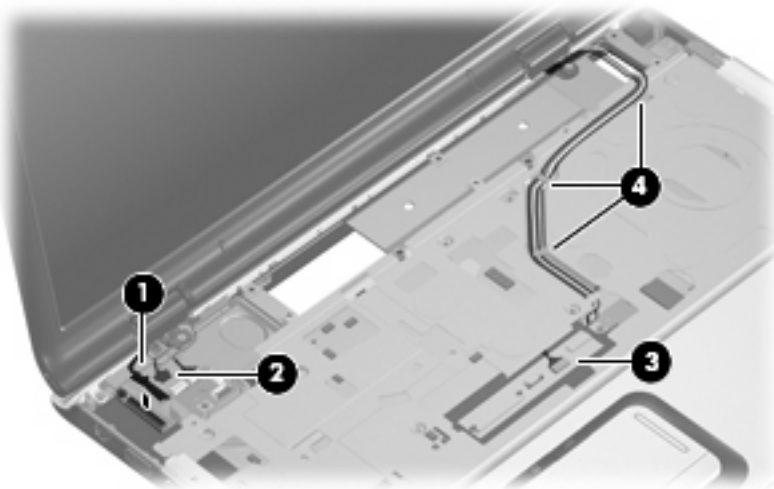
Remove the display assembly:

1. Close the computer and turn it upside down, with the front toward you.

2. Remove the two Phillips PM2.5×8.0 screws that secure the display assembly to the computer.



3. Turn the computer display-side up, with the front toward you.
4. Open the computer to an upright position.
5. Disconnect the following cables:
  - (1) Display panel cable
  - (2) Microphone cable
  - (3) Camera cable
6. Remove the wireless antenna cables (4) from the routing channels in the top cover.

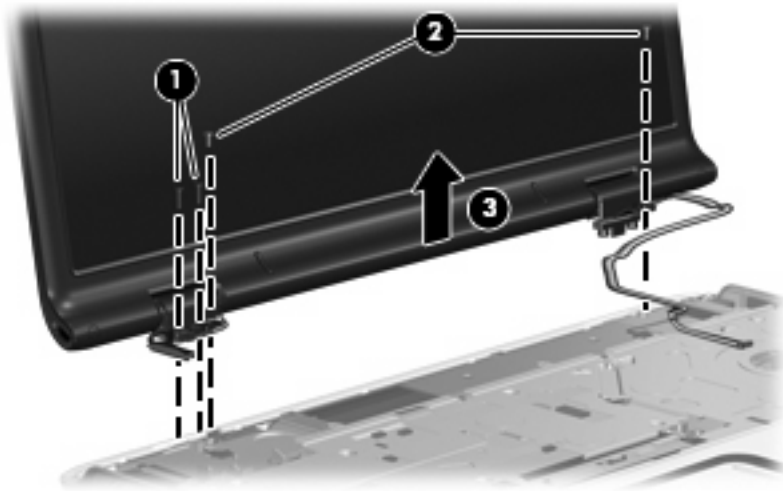


△ **CAUTION:** Support the display assembly when removing the following screws. Failure to support the display assembly can result in damage to the display assembly and other computer components.

7. Remove the two Phillips PM2.5×8.0 screws (1) and the two silver Phillips PM2.5×5.0 screws (2) that secure the display assembly to the computer.



8. Remove the display assembly (3).

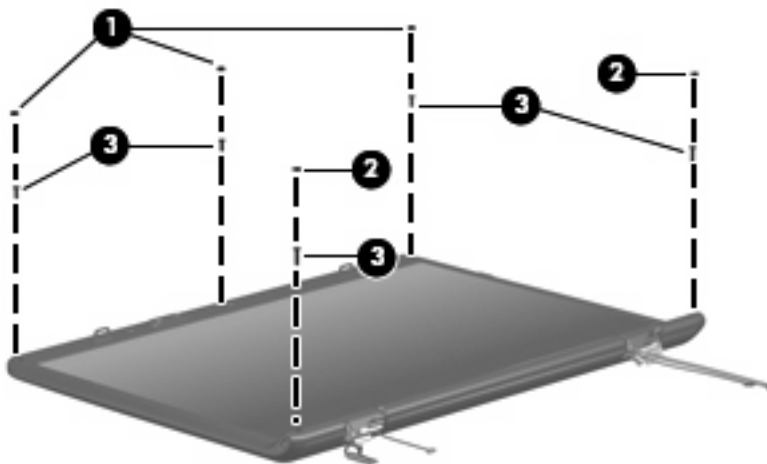


9. If it is necessary to replace the display bezel or any of the display assembly internal components, remove the following screw covers and screws:

(1) Three rubber screw covers on the display bezel top edge. The display rubber screw covers are included in the Rubber Kit, spare part number 448017-001.

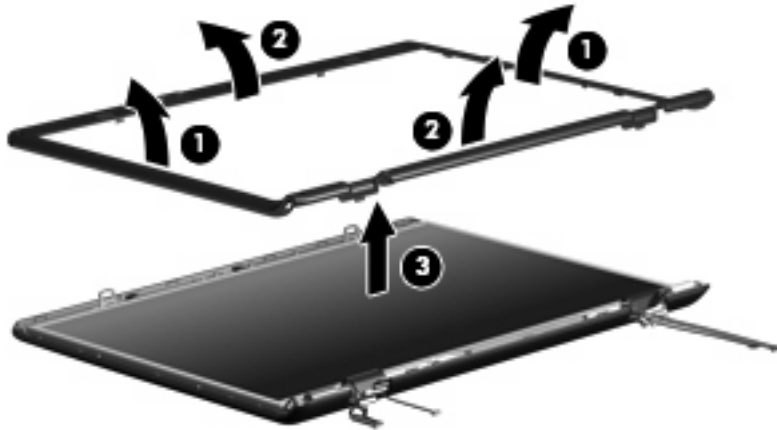
(2) Two rubber screw covers on the display bezel bottom edge.


(3) Five Phillips PM2.5×8.0 screws.



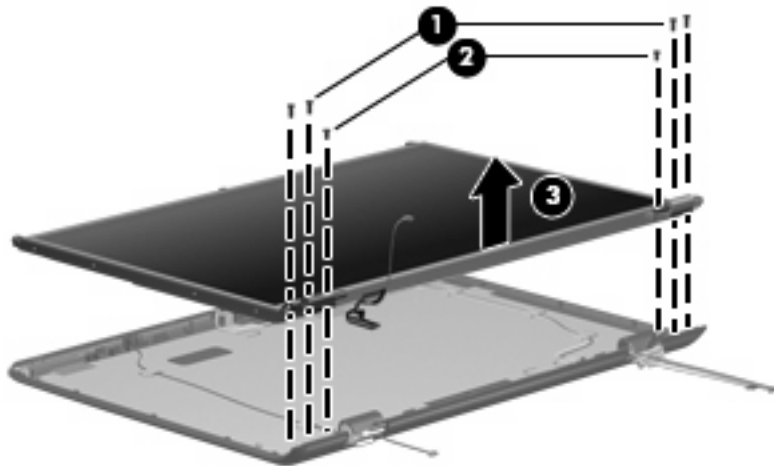
10. Flex the inside edges of the left and right sides (1) and the top and bottom sides (2) of the display bezel until the bezel disengages from the display enclosure.

11. Remove the display bezel (3). Display bezels are available using the spare part numbers 447998-001 (for dual lamp display assemblies) and 447997-001 (for single lamp display assemblies).



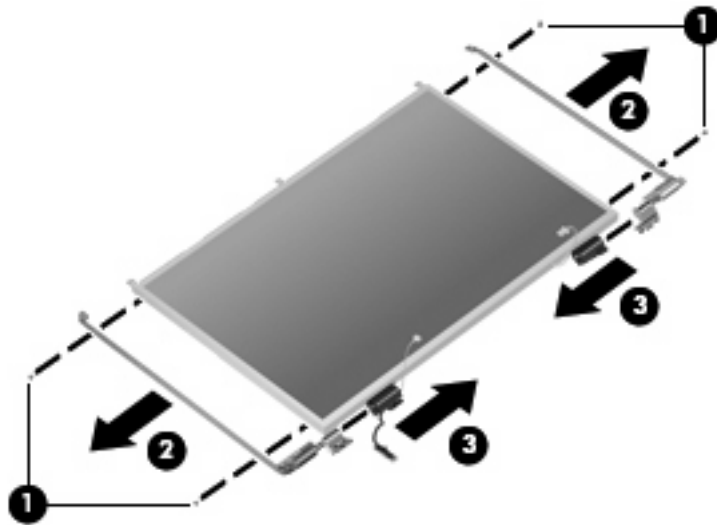
 **NOTE:** See [Camera module on page 48](#) for camera module replacement instructions. See [Display inverter on page 50](#) for display inverter replacement instructions.

12. If it is necessary to replace the display panel, remove the four Phillips PM2.5×8.0 screws (1) and the two Phillips PM2.5×6.0 screws (2) that secure the display panel to the display enclosure.
13. Remove the display panel (3). Display panels are available using the following spare part numbers:
  - 447988-001 (17.0-inch, WXGA+, TFT, dual lamp, BrightView display assembly)
  - 447987-001 (17.0-inch, SXGA+, TFT, single lamp, BrightView display assembly)
  - 447986-001 (17.0-inch, WXGA+, TFT, single lamp, BrightView display assembly)

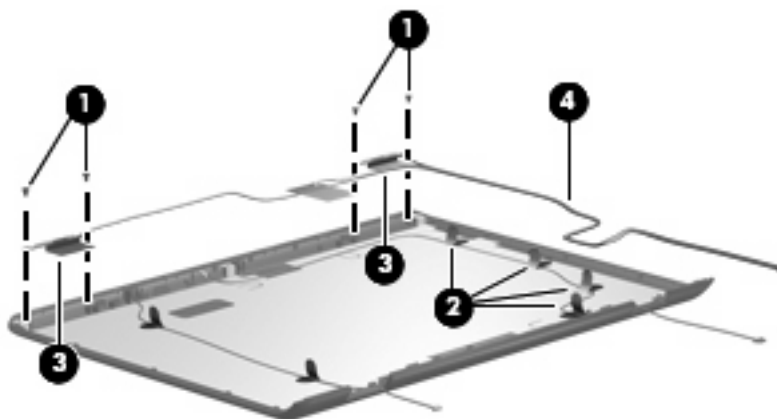


14. If it is necessary to replace the display hinges, remove the two Phillips PM2.0×3.0 screws (1) that secure each display hinge to the display panel.
15. Remove the display hinges (2).

16. Remove the left and right hinge covers (3) by sliding them off of the display hinges. The display hinges are available using spare part numbers 432964-001 (for use with dual lamp display assemblies) and 432963-001 (for use with single lamp display assemblies). The display hinge covers are available using spare part number 432965-001.

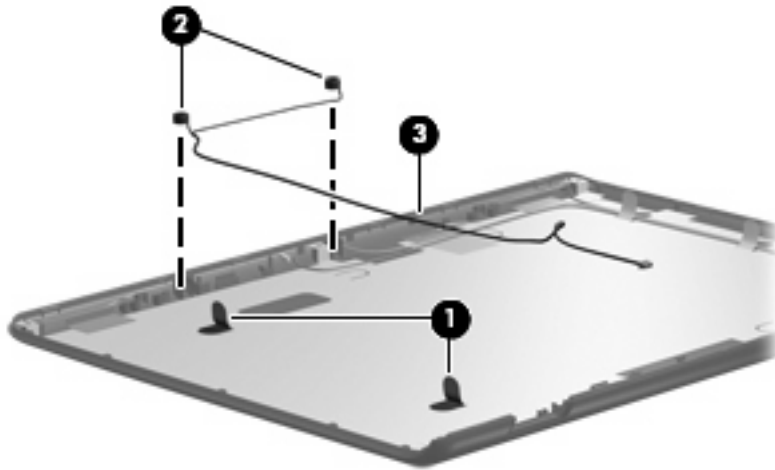


17. If it is necessary to replace the wireless antenna transceivers and cables, remove the two Phillips PM2.0×4.0 screws (1) that secure each transceiver to the display enclosure.
18. Remove the wireless antenna cables from the clips (2) built into the display enclosure.
19. Detach the wireless antenna transceivers (3) from the display enclosure.
20. Remove the wireless antenna cables (4). The wireless antenna transceivers and cables are available using the following spare part numbers:
- 448313-001 (for use with computer models equipped with an 802.11a/b/g/n WLAN module)
  - 448312-001 (for use with computer models equipped with an 802.11a/b/g or 802.11b/g WLAN module)

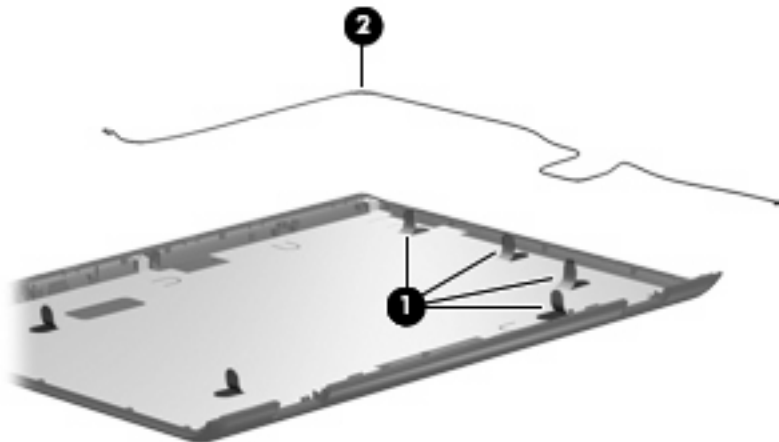


21. If it is necessary to replace the microphones and cables, release the retention tabs (1) built into the display enclosure that secure the microphone cables to the display enclosure.
22. Remove the microphone receivers (2) from the clips in the display enclosure.

23. Remove the microphone cables (**3**) from the display enclosure. The microphones and cables are available using spare part number 432961-001.



24. If it is necessary to replace the camera cable, release the retention tabs (**1**) built into the display enclosure that secure the camera cable to the display enclosure.
25. Remove the camera cable (**2**) from the display enclosure. The camera cable is available in the Display Cable Kit, spare part number 432962-001.



Reverse this procedure to reassemble and install the display assembly.

## Top cover

Description	Spare part number
<b>Top cover for use in computer models with Intel processors:</b>	
Top cover for use only with computer models equipped with a fingerprint reader (includes TouchPad, TouchPad cable, fingerprint reader board, and fingerprint reader board cable)	448011-001
Top cover for use only with computer models not equipped with a fingerprint reader (includes TouchPad and TouchPad cable)	448010-001
Fingerprint reader board (includes fingerprint reader board cable)	448012-001
<b>For use in computer models with AMD processors:</b>	
For use only with computer models equipped with a fingerprint reader (includes TouchPad, TouchPad cable, fingerprint reader board, and fingerprint reader board cable)	450852-001
Fingerprint reader board (not illustrated; includes fingerprint reader board cable)	450853-001

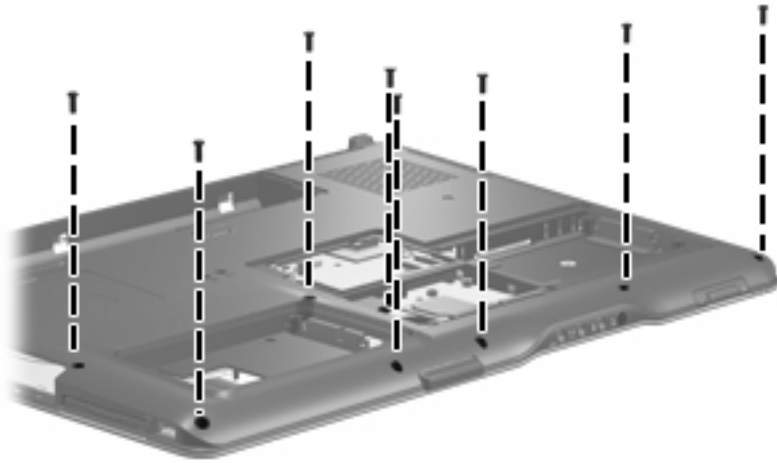
Before removing the top cover, follow these steps:

1. Shut down the computer. If you are unsure whether the computer is off or in Hibernation, turn the computer on, and then shut it down through the operating system.
2. Disconnect all external devices connected to the computer.
3. Disconnect the power from the computer by first unplugging the power cord from the AC outlet and then unplugging the AC adapter from the computer.
4. Remove the battery (see [Battery on page 47](#)).
5. Remove the following components:
  - a. Hard drive (see [Hard drive on page 52](#))
  - b. Optical drive (see [Optical drive on page 59](#))
  - c. Switch cover (see [Switch cover on page 61](#))
  - d. Keyboard (see [Keyboard on page 63](#))
  - e. Speaker assembly (see [Speaker assembly on page 66](#))
  - f. Display assembly (see [Display assembly on page 69](#))

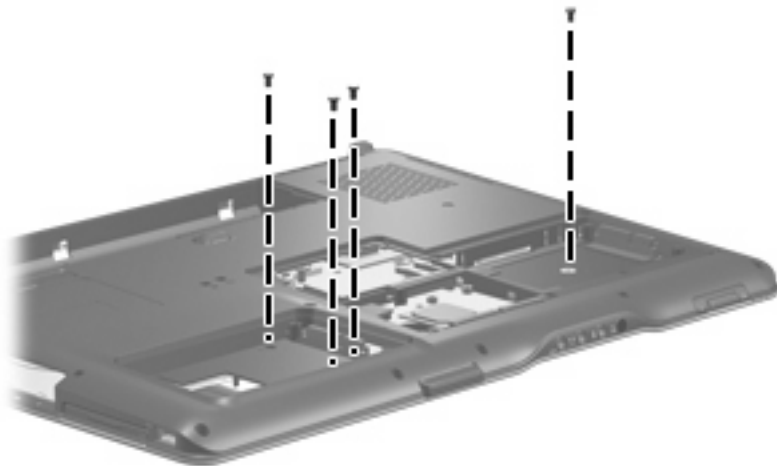
Remove the top cover:

1. Turn the computer upside down, with the front toward you.

2. Remove the eight Phillips PM2.5×8.0 screws that secure the top cover to the computer.

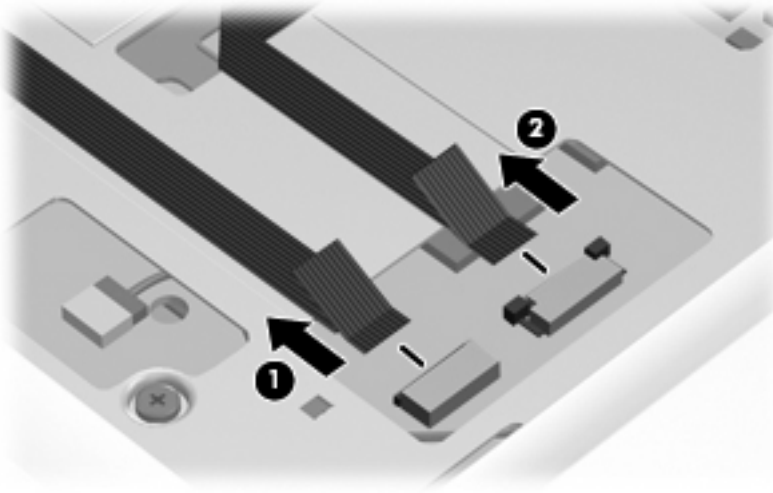


3. Remove the four silver Phillips PM2.5×5.0 screws secure the top cover to the computer.

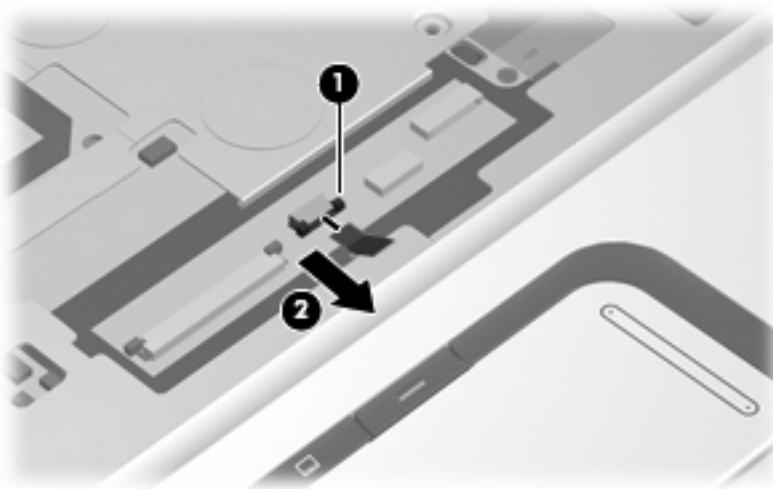


4. Turn the computer right-side up, with the front toward you.

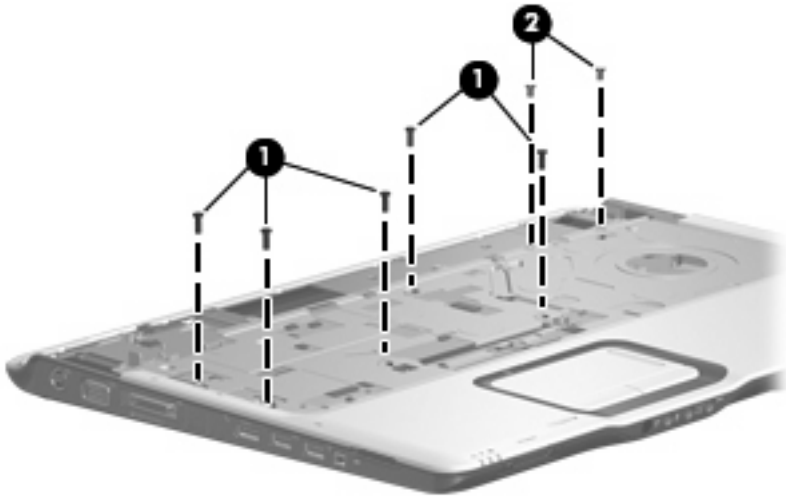
5. Disconnect the power button board cable (1) and the LED board cable (2) from the low insertion force (LIF) connectors on the system board.



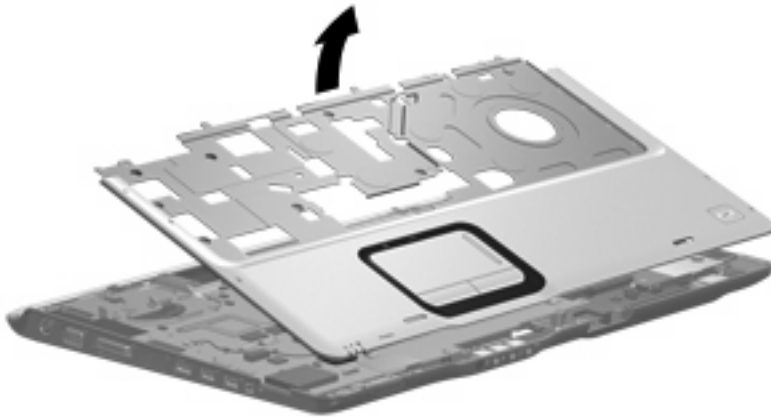
6. Release the ZIF connector (1) to which the TouchPad cable (2) is attached and disconnect the cable from the system board.



7. Remove the five Phillips PM2.5×8.0 screws **(1)** and the two silver Phillips PM2.5×5.0 screws **(2)** that secure the top cover to the base enclosure.

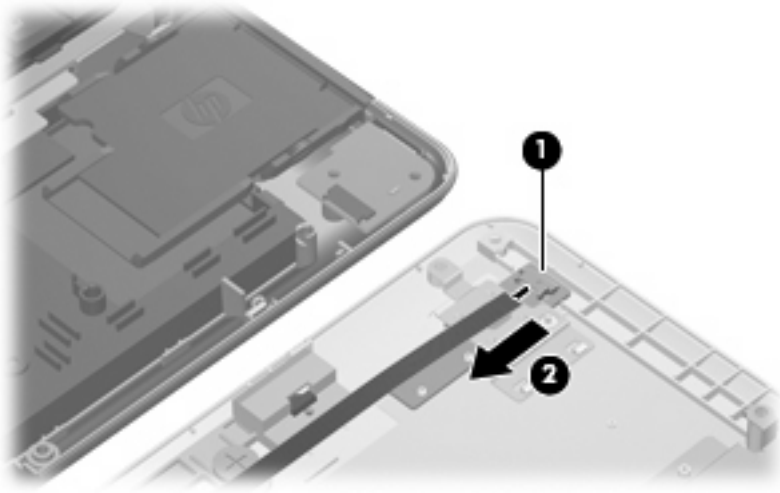


8. Lift the rear edge of the top cover until it disengages from the computer, and then swing it up and forward until the top cover is resting upside down in front of the computer.





9. Release the ZIF connector to which the fingerprint reader board cable (1) is attached and disconnect the cable (2) from the system board.



10. Remove the top cover.

Reverse this procedure to install the top cover.

## Wireless switch board

Description	Spare part number
Wireless switch board (includes wireless switch board cable)	432991-001

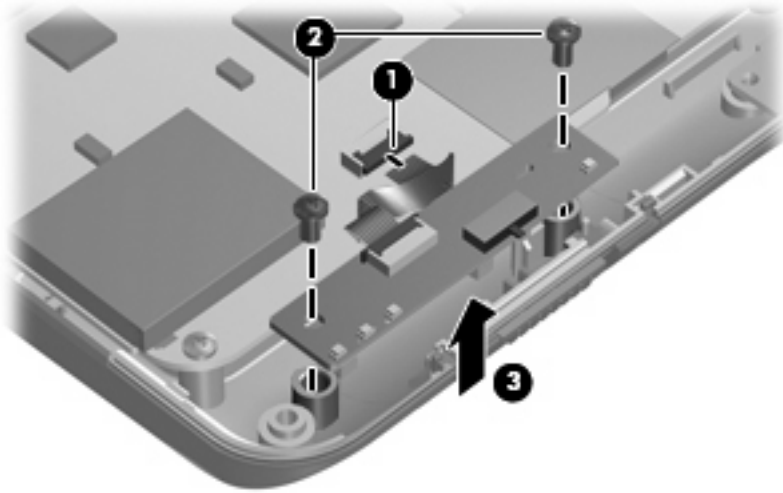
Before removing the wireless switch board, follow these steps:

1. Shut down the computer. If you are unsure whether the computer is off or in Hibernation, turn the computer on, and then shut it down through the operating system.
2. Disconnect all external devices connected to the computer.
3. Disconnect the power from the computer by first unplugging the power cord from the AC outlet and then unplugging the AC adapter from the computer.
4. Remove the battery (see [Battery on page 47](#)).
5. Remove the following components:
  - a. Hard drive (see [Hard drive on page 52](#))
  - b. Optical drive (see [Optical drive on page 59](#))
  - c. Switch cover (see [Switch cover on page 61](#))
  - d. Keyboard (see [Keyboard on page 63](#))
  - e. Speaker assembly (see [Speaker assembly on page 66](#))
  - f. Display assembly (see [Display assembly on page 69](#))
  - g. Top cover (see [Top cover on page 75](#))

Remove the wireless switch board:

1. Release the ZIF connector to which the wireless switch board cable is connected and disconnect the wireless switch board cable **(1)** from the system board.
2. Remove the two silver Phillips PM2.5×5.0 screws **(2)** that secure the wireless switch board to the base enclosure.

3. Remove the wireless switch board (3).



Reverse this procedure to install the wireless switch board.

## Bluetooth module

Description	Spare part number
Bluetooth module (includes Bluetooth module cable)	412766-002

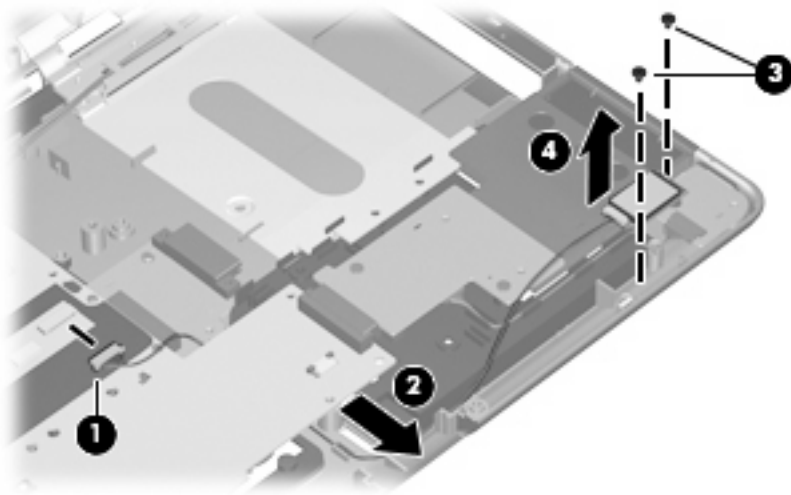
Before removing the Bluetooth module, follow these steps:

1. Shut down the computer. If you are unsure whether the computer is off or in Hibernation, turn the computer on, and then shut it down through the operating system.
2. Disconnect all external devices connected to the computer.
3. Disconnect the power from the computer by first unplugging the power cord from the AC outlet and then unplugging the AC adapter from the computer.
4. Remove the battery (see [Battery on page 47](#)).
5. Remove the following components:
  - a. Hard drive (see [Hard drive on page 52](#))
  - b. Optical drive (see [Optical drive on page 59](#))
  - c. Switch cover (see [Switch cover on page 61](#))
  - d. Keyboard (see [Keyboard on page 63](#))
  - e. Speaker assembly (see [Speaker assembly on page 66](#))
  - f. Display assembly (see [Display assembly on page 69](#))
  - g. Top cover (see [Top cover on page 75](#))

Remove the Bluetooth module:

1. Disconnect the Bluetooth module cable **(1)** from the system board. The Bluetooth module cable is included with the Bluetooth module spare part kit and is also included in the Cable Kit, spare part number 448015-001.
2. Route the Bluetooth module cable **(2)** under the system board.
3. Remove the two silver Phillips PM2.0×3.0 screws **(3)** that secure the Bluetooth module to the base enclosure.

4. Remove the Bluetooth module (4).



Reverse this procedure to install the Bluetooth module.

## Front USB board

Description	Spare part number
Front USB board (includes front USB board cable)	449763-001

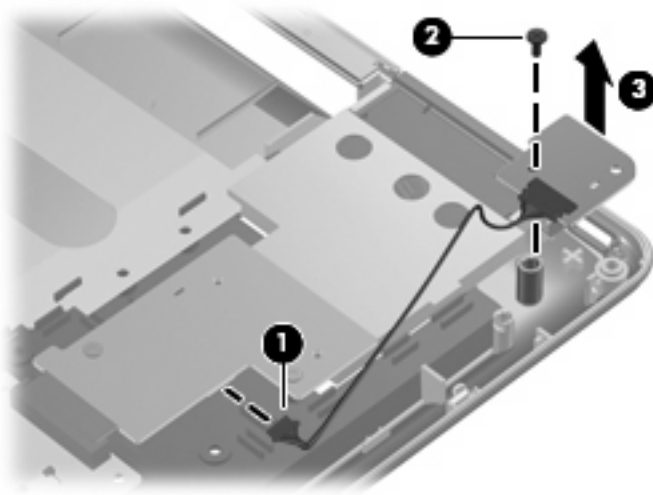
Before removing the front USB board, follow these steps:

1. Shut down the computer. If you are unsure whether the computer is off or in Hibernation, turn the computer on, and then shut it down through the operating system.
2. Disconnect all external devices connected to the computer.
3. Disconnect the power from the computer by first unplugging the power cord from the AC outlet and then unplugging the AC adapter from the computer.
4. Remove the battery (see [Battery on page 47](#)).
5. Remove the following components:
  - a. Hard drive (see [Hard drive on page 52](#))
  - b. Optical drive (see [Optical drive on page 59](#))
  - c. Switch cover (see [Switch cover on page 61](#))
  - d. Keyboard (see [Keyboard on page 63](#))
  - e. Speaker assembly (see [Speaker assembly on page 66](#))
  - f. Display assembly (see [Display assembly on page 69](#))
  - g. Top cover (see [Top cover on page 75](#))

Remove the front USB board:

1. Disconnect the front USB board cable **(1)** from the ExpressCard assembly. The front USB board cable is included with the front USB board spare part kit and is also included in the Cable Kit, spare part number 448015-001.
2. Remove the silver Phillips PM2.5×5.0 screw **(2)** that secures the front USB board to the computer.

3. Remove the front USB board (3).



Reverse this procedure to install the front USB board.

## ExpressCard assembly

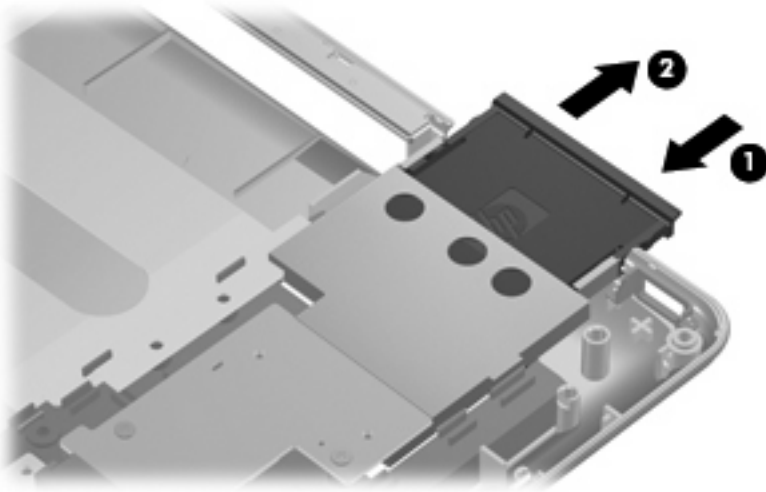
Description	Spare part number
ExpressCard assembly	432988-001

Before removing the ExpressCard assembly, follow these steps:

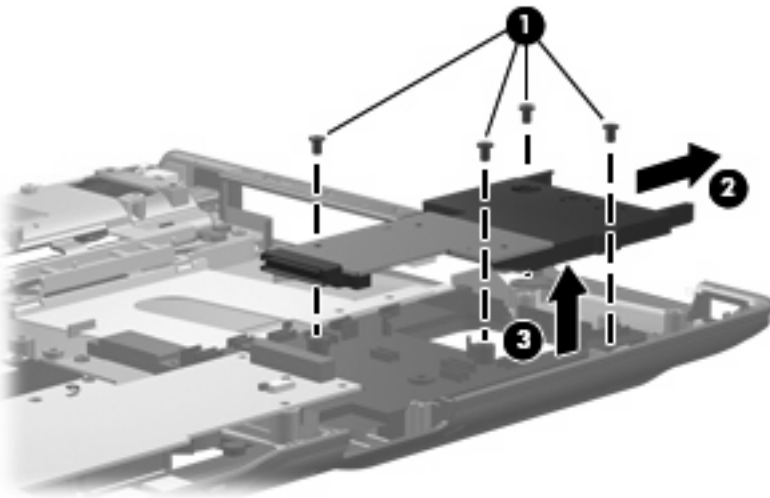
1. Shut down the computer. If you are unsure whether the computer is off or in Hibernation, turn the computer on, and then shut it down through the operating system.
2. Disconnect all external devices connected to the computer.
3. Disconnect the power from the computer by first unplugging the power cord from the AC outlet and then unplugging the AC adapter from the computer.
4. Remove the battery (see [Battery on page 47](#)).
5. Remove the following components:
  - a. Hard drive (see [Hard drive on page 52](#))
  - b. Optical drive (see [Optical drive on page 59](#))
  - c. Switch cover (see [Switch cover on page 61](#))
  - d. Keyboard (see [Keyboard on page 63](#))
  - e. Speaker assembly (see [Speaker assembly on page 66](#))
  - f. Display assembly (see [Display assembly on page 69](#))
  - g. Top cover (see [Top cover on page 75](#))

Remove the ExpressCard assembly:

1. Press the ExpressCard slot bezel **(1)** to release the bezel from the ExpressCard slot.
2. Remove the ExpressCard slot bezel **(2)**. The ExpressCard slot bezel is included in the Plastics Kit, spare part number 432981-001.

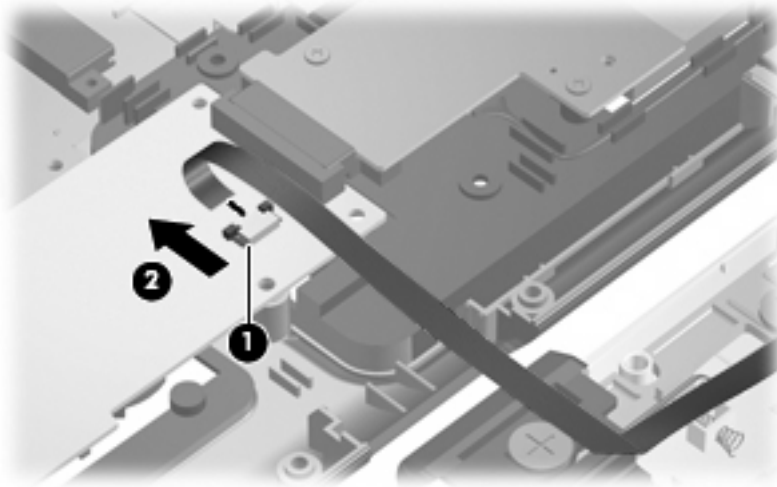


3. Remove the four silver Phillips PM2.5×5.0 screws **(1)** that secure the ExpressCard assembly to the system board.
4. Disconnect the ExpressCard assembly **(2)** from the system board by sliding it to the right.
5. Remove the ExpressCard assembly **(3)**.





6. If it is necessary to replace the fingerprint reader board cable, release the ZIF connector (1) to which the cable is connected and disconnect the cable (2) from the system board. The fingerprint reader board cable is included in the Cable Kit, spare part number 448015-001.



Reverse this procedure to install the ExpressCard assembly and the fingerprint reader board cable.

## Top cover trim

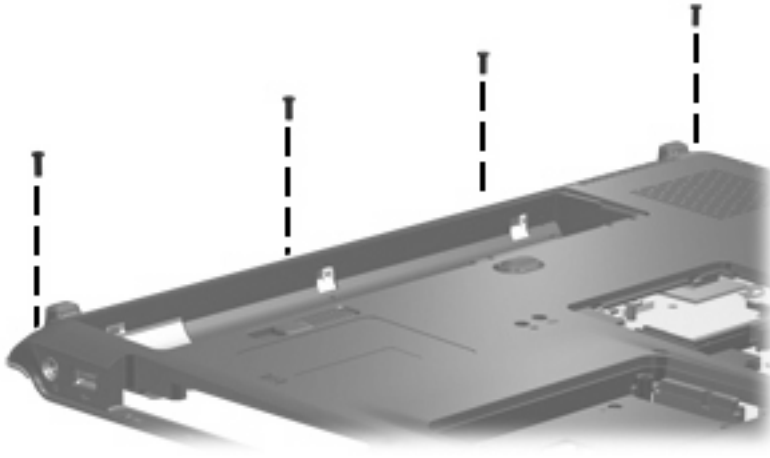
Description	Spare part number
Top cover trim	432978-001

Before removing the top cover trim, follow these steps:

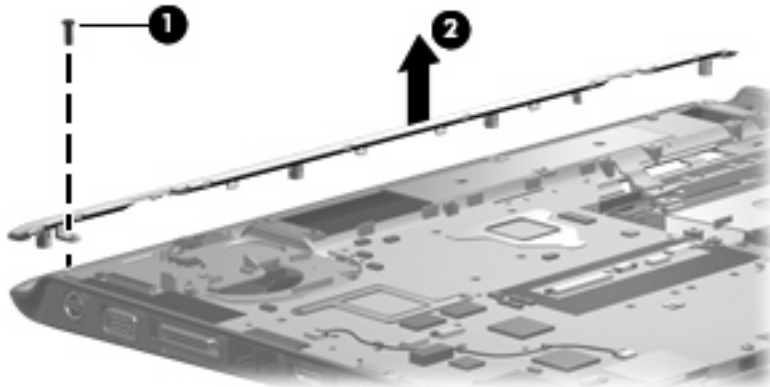
1. Shut down the computer. If you are unsure whether the computer is off or in Hibernation, turn the computer on, and then shut it down through the operating system.
2. Disconnect all external devices connected to the computer.
3. Disconnect the power from the computer by first unplugging the power cord from the AC outlet and then unplugging the AC adapter from the computer.
4. Remove the battery (see [Battery on page 47](#)).
5. Remove the following components:
  - a. Hard drive (see [Hard drive on page 52](#))
  - b. Optical drive (see [Optical drive on page 59](#))
  - c. Switch cover (see [Switch cover on page 61](#))
  - d. Keyboard (see [Keyboard on page 63](#))
  - e. Speaker assembly (see [Speaker assembly on page 66](#))
  - f. Display assembly (see [Display assembly on page 69](#))
  - g. Top cover (see [Top cover on page 75](#))

Remove the top cover trim:

1. Turn the computer upside down with the front toward you.
2. Remove the four Phillips PM2.5×8.0 screws that secure the top cover trim to the computer.



3. Turn the computer right-side up with the front toward you.
4. Remove the Phillips PM2.5×8.0 screw (1) that secures the top cover trim to the computer.
5. Remove the top cover trim (2).



6. Remove the top cover trim.

Reverse this procedure to install the top cover trim.

## Display switch module

Description	Spare part number
Display switch module for use in computer models with Intel processors (includes display switch module cable)	448435-001
Display switch module for use in computer models with AMD processors (includes display switch module cable)	432993-001

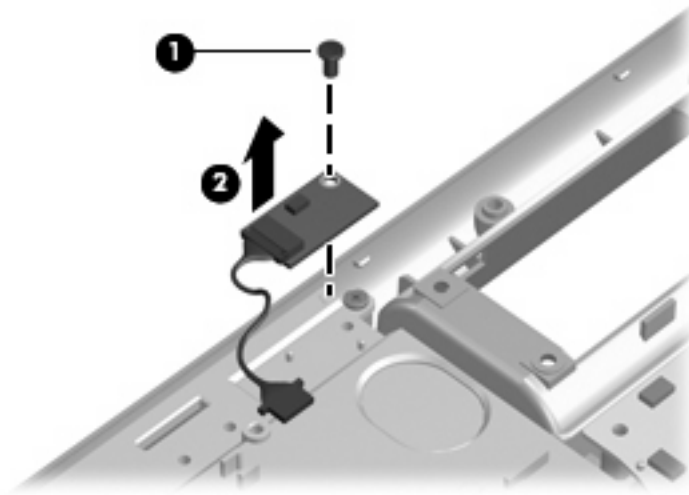
Before removing the display switch module, follow these steps:

1. Shut down the computer. If you are unsure whether the computer is off or in Hibernation, turn the computer on, and then shut it down through the operating system.
2. Disconnect all external devices connected to the computer.
3. Disconnect the power from the computer by first unplugging the power cord from the AC outlet and then unplugging the AC adapter from the computer.
4. Remove the battery (see [Battery on page 47](#)).
5. Remove the following components:
  - a. Hard drive (see [Hard drive on page 52](#))
  - b. Optical drive (see [Optical drive on page 59](#))
  - c. Switch cover (see [Switch cover on page 61](#))
  - d. Keyboard (see [Keyboard on page 63](#))
  - e. Speaker assembly (see [Speaker assembly on page 66](#))
  - f. Display assembly (see [Display assembly on page 69](#))
  - g. Top cover (see [Top cover on page 75](#))
  - h. Top cover trim (see [Top cover trim on page 87](#))

Remove the display switch module:

1. Remove the Phillips PM2.5×5.0 screw **(1)** that secures the display switch module to the fan/heat sink assembly.

2. Remove the display switch module (2).



Reverse this procedure to install the display switch module.

## Rear USB board

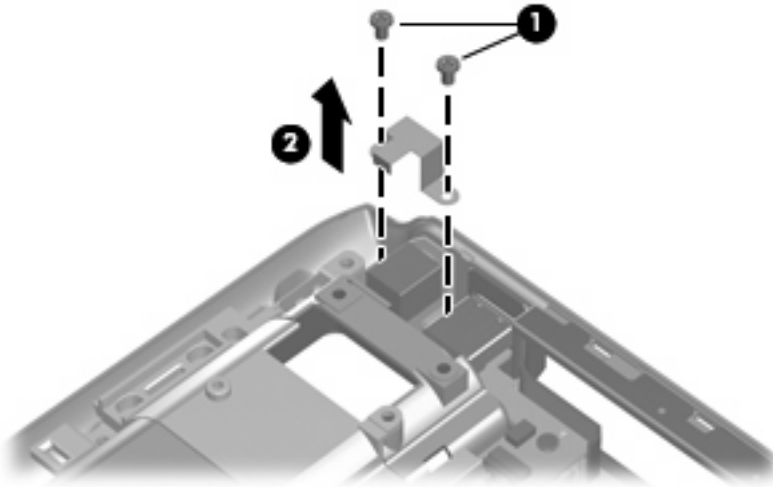
Description	Spare part number
Rear USB board (includes rear USB board cable)	449762-001

Before removing the rear USB board, follow these steps:

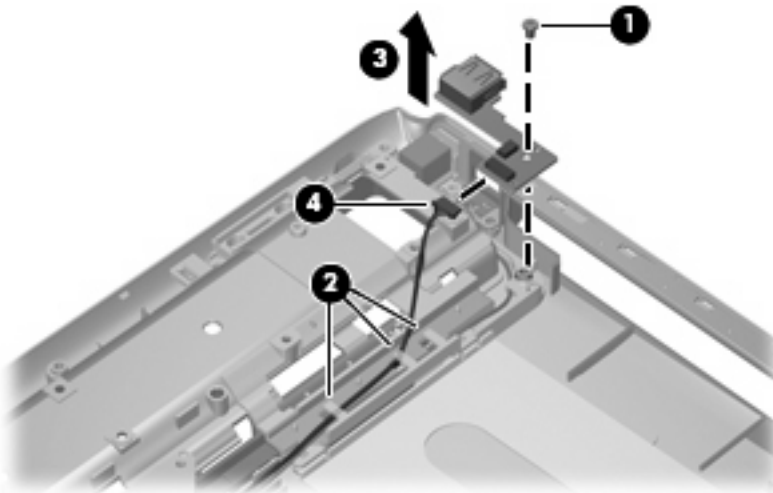
1. Shut down the computer. If you are unsure whether the computer is off or in Hibernation, turn the computer on, and then shut it down through the operating system.
2. Disconnect all external devices connected to the computer.
3. Disconnect the power from the computer by first unplugging the power cord from the AC outlet and then unplugging the AC adapter from the computer.
4. Remove the battery (see [Battery on page 47](#)).
5. Remove the following components:
  - a. Hard drive (see [Hard drive on page 52](#))
  - b. Optical drive (see [Optical drive on page 59](#))
  - c. Switch cover (see [Switch cover on page 61](#))
  - d. Keyboard (see [Keyboard on page 63](#))
  - e. Speaker assembly (see [Speaker assembly on page 66](#))
  - f. Display assembly (see [Display assembly on page 69](#))
  - g. Top cover (see [Top cover on page 75](#))

Remove the rear USB board:

1. Remove the two silver Phillips PM2.5×5.0 screws **(1)** that secure the power connector bracket to the computer.
2. Remove the power connector bracket **(2)**. The power connector bracket is available using spare part number 432985-001.




3. Remove the silver Phillips PM2.5×5.0 screw **(1)** that secures the rear USB board to the base enclosure.
4. Remove the rear USB board cable from the clips **(2)** built into the base enclosure.
5. Release the rear USB board **(3)** from the base enclosure as far as the rear USB board cable allows.
6. Disconnect the rear USB board cable **(4)** from the rear USB board.



7. Remove the rear USB board.

Reverse this procedure to install the rear USB board.

## System board

 **NOTE:** All system board spare kits include a modem module cable and hard drive thermal pads.

Description	Spare part number
<b>System board for use with computer models with Intel processors:</b>	
With 256 MB of video system memory for use only with computer models with discrete video system memory	447983-001
With 128 MB of video system memory for use only with computer models with discrete video system memory	447982-001
System board for use only with computer models with UMA video system memory	447984-001
<b>System board for use with computer models with AMD processors:</b>	
With discrete video system memory	450799-001
With UMA video system memory	450800-001
Processor bracket v8.1	450371-001
Processor bracket v7.9	450370-001

Before removing the system board, follow these steps:

1. Shut down the computer. If you are unsure whether the computer is off or in Hibernation, turn the computer on, and then shut it down through the operating system.
2. Disconnect all external devices connected to the computer.
3. Disconnect the power from the computer by first unplugging the power cord from the AC outlet and then unplugging the AC adapter from the computer.
4. Remove the battery (see [Battery on page 47](#)).
5. Remove the following components:
  - a. Hard drive (see [Hard drive on page 52](#))
  - b. Optical drive (see [Optical drive on page 59](#))
  - c. Switch cover (see [Switch cover on page 61](#))
  - d. Keyboard (see [Keyboard on page 63](#))
  - e. Speaker assembly (see [Speaker assembly on page 66](#))
  - f. Display assembly (see [Display assembly on page 69](#))
  - g. Top cover (see [Top cover on page 75](#))
  - h. Wireless switch board (see [Wireless switch board on page 80](#))
  - i. Front USB board (see [Front USB board on page 84](#))
  - j. ExpressCard assembly (see [ExpressCard assembly on page 85](#))

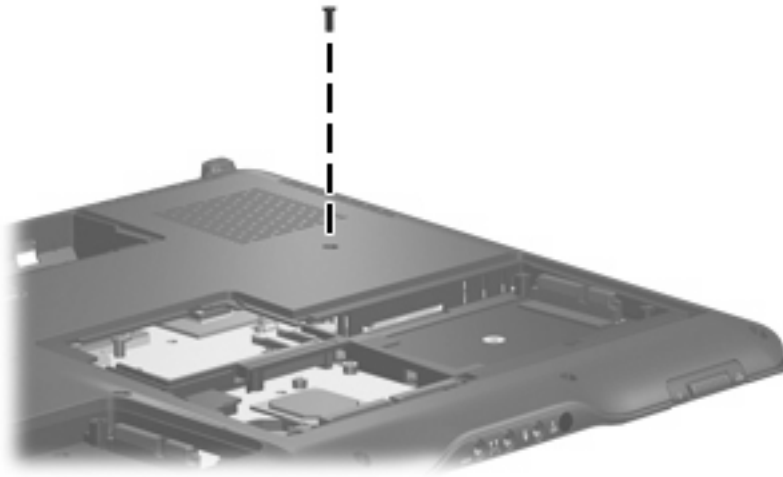
- k. Top cover trim (see [Top cover trim on page 87](#))
- l. Rear USB board (see [Rear USB board on page 90](#))

When replacing the system board, be sure that the following components are removed from the defective system board and installed on the replacement system board:

- Memory modules (see [Memory module on page 54](#))
- RTC battery (see [RTC battery on page 56](#))
- WLAN module (see [WLAN module on page 57](#))
- Bluetooth module (see [Bluetooth module on page 82](#))
- ExpressCard assembly (see [ExpressCard assembly on page 85](#))
- Optical drive connector board (see [System board on page 92](#))

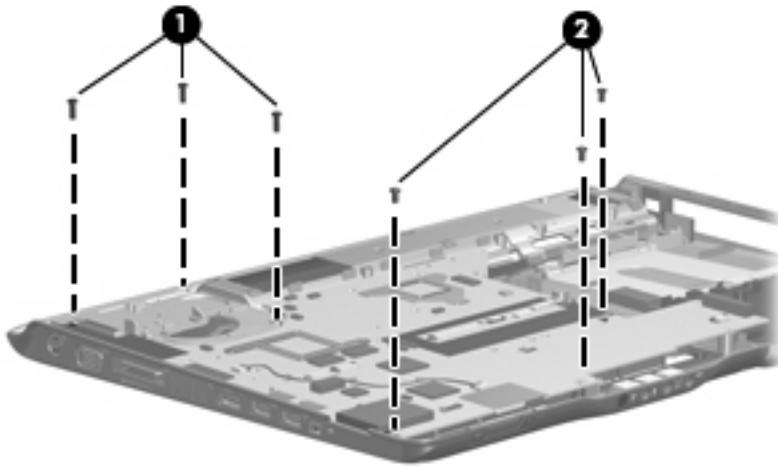
Remove the system board:

1. Turn the computer upside down with the front toward you.
2. Remove the Phillips PM2.5×8.0 screw that secures the system board to the base enclosure.

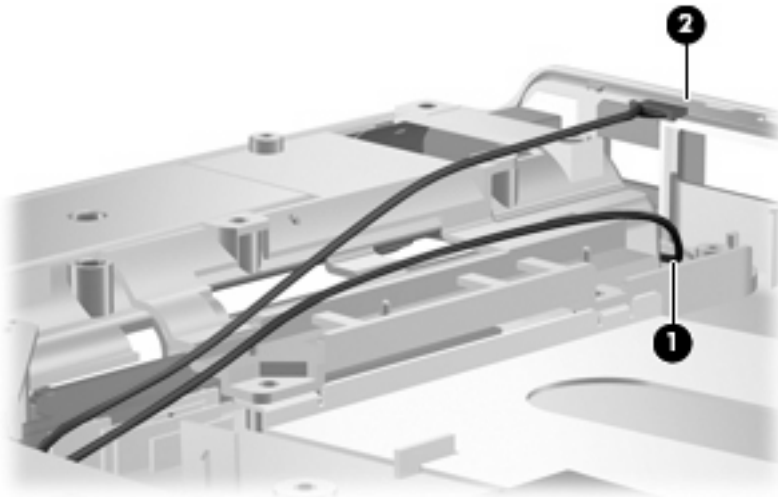


3. Turn the computer right-side up, with the front toward you.

4. Remove the three Phillips PM2.5×8.0 screws **(1)** and the three silver Phillips PM2.5×5.0 screws **(2)** that secure the system board to the base enclosure.



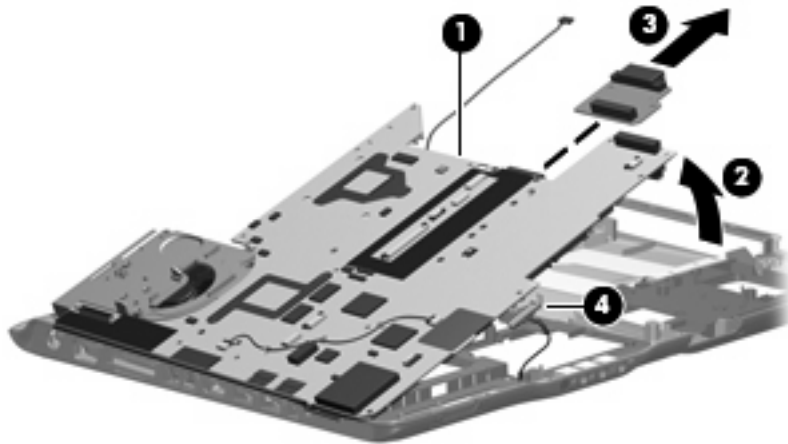
5. Remove the power connector cable **(1)** and the rear USB board cable **(2)** from the clips built into the base enclosure.



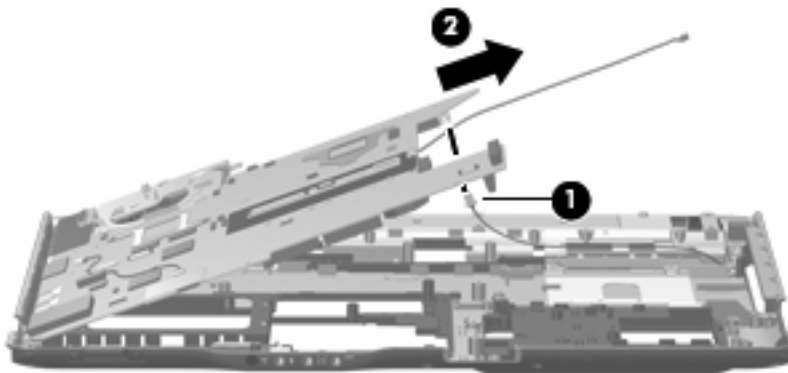
6. Use the area immediately behind the optical drive connector board **(1)** to lift the right side of the system board **(2)** until it rests at an angle.
7. Remove the optical drive connector board **(3)**. The optical drive connector board is available using spare part number 432992-001.



8. Disconnect the audio board cable (4) from the system board.

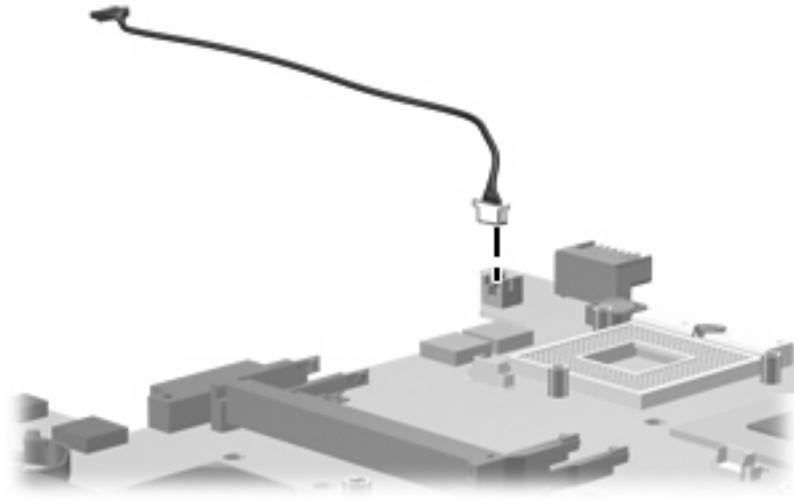


9. Disconnect the power connector cable (1) from the system board.
10. Remove the system board (2) from the base enclosure by sliding it up and to the right at an angle.



11. If it is necessary to replace the rear USB board cable, turn the system board upside down with the front toward you.

12. Disconnect the rear USB board cable from the system board. The rear USB board cable is included with the rear USB board spare part kit and is also included in the Cable Kit, spare part number 448015-001.



When replacing the system board, be sure that the following components are removed from the defective system board and installed on the replacement system board:

- Fan/heat sink assembly (see [Fan/heat sink assembly on page 99](#))
- Processor (see [Processor on page 103](#))

Reverse the preceding procedure to install the system board.

## Audio board

Description	Spare part number
Audio board (includes audio board cable)	449763-001

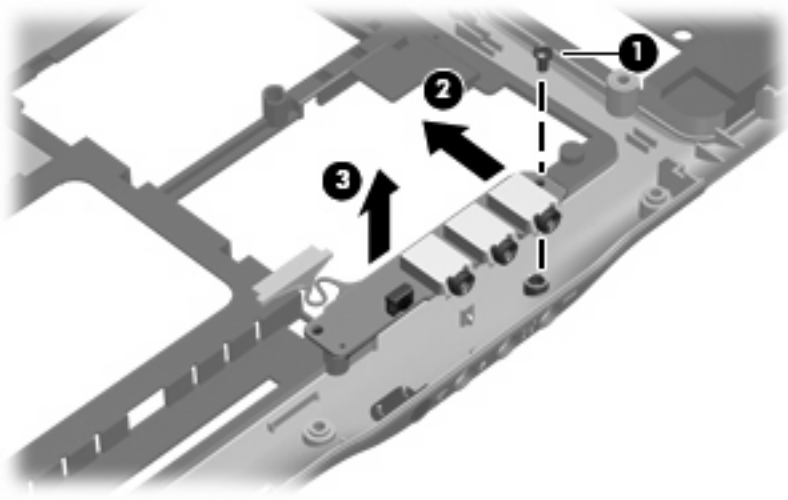
Before removing the system board, follow these steps:

1. Shut down the computer. If you are unsure whether the computer is off or in Hibernation, turn the computer on, and then shut it down through the operating system.
2. Disconnect all external devices connected to the computer.
3. Disconnect the power from the computer by first unplugging the power cord from the AC outlet and then unplugging the AC adapter from the computer.
4. Remove the battery (see [Battery on page 47](#)).
5. Remove the following components:
  - a. Hard drive (see [Hard drive on page 52](#))
  - b. Optical drive (see [Optical drive on page 59](#))
  - c. Switch cover (see [Switch cover on page 61](#))
  - d. Keyboard (see [Keyboard on page 63](#))
  - e. Speaker assembly (see [Speaker assembly on page 66](#))
  - f. Display assembly (see [Display assembly on page 69](#))
  - g. Top cover (see [Top cover on page 75](#))
  - h. Wireless switch board (see [Wireless switch board on page 80](#))
  - i. Front USB board (see [Front USB board on page 84](#))
  - j. ExpressCard assembly (see [ExpressCard assembly on page 85](#))
  - k. Top cover trim (see [Top cover trim on page 87](#))
  - l. Rear USB board (see [Rear USB board on page 90](#))
  - m. System board (see [System board on page 92](#))

Remove the fan/heat assembly:


1. Remove the silver Phillips PM2.5×5.0 screw **(1)** that secures the audio board to the base enclosure.
2. Release the audio board **(2)** by sliding it back until the audio connectors disengage from the openings in the base enclosure.

3. Remove the audio board (3).




Reverse this procedure to install the audio board.

## Fan/heat sink assembly

 **NOTE:** All fan/heat sink assembly spare kits include replacement thermal material.

Description	Spare part number
<b>For use only with computer models using Intel processors:</b>	
Equipped with discrete video system memory	448016-001
Equipped with UMA video system memory	450934-001
<b>For use only with computer models using AMD processors:</b>	
Equipped with UMA video system memory	450863-001
Equipped with discrete video system memory	450864-001

 **NOTE:** When replacing the fan/heat sink assembly, be sure that the display switch module is removed from the defective fan/heat sink assembly and installed on the replacement fan/heat sink assembly. See [Display switch module on page 89](#) for display switch module removal and spare part number information.

**NOTE:** To properly ventilate the computer, allow at least a 7.6-cm (3-inch) clearance on the right side and rear panel of the computer. The computer uses an electric fan for ventilation. The fan is controlled by a temperature sensor and is designed to turn on automatically when high temperature conditions exist. These conditions are affected by high external temperatures, system power consumption, power management/battery conservation configurations, battery fast charging, and software applications. Exhaust air is displaced through the ventilation grill located on the left side of the computer.

Before removing the fan/heat sink assembly, follow these steps:


1. Shut down the computer. If you are unsure whether the computer is off or in Hibernation, turn the computer on, and then shut it down through the operating system.
2. Disconnect all external devices connected to the computer.
3. Disconnect the power from the computer by first unplugging the power cord from the AC outlet and then unplugging the AC adapter from the computer.
4. Remove the battery (see [Battery on page 47](#)).
5. Remove the following components:
  - a. Hard drive (see [Hard drive on page 52](#))
  - b. Optical drive (see [Optical drive on page 59](#))
  - c. Switch cover (see [Switch cover on page 61](#))
  - d. Keyboard (see [Keyboard on page 63](#))
  - e. Speaker assembly (see [Speaker assembly on page 66](#))
  - f. Display assembly (see [Display assembly on page 69](#))
  - g. Top cover (see [Top cover on page 75](#))
  - h. Wireless switch board (see [Wireless switch board on page 80](#))

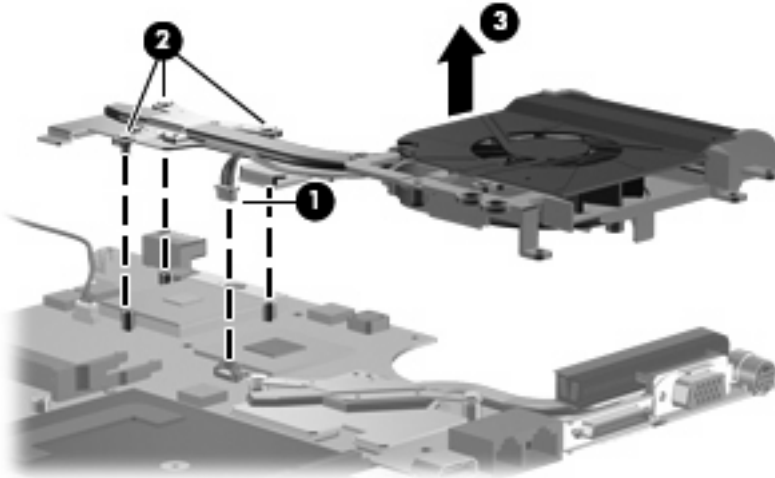
- i. Audio board (see [Audio board on page 97](#))
- j. Front USB board (see [Front USB board on page 84](#))
- k. Top cover trim (see [Top cover trim on page 87](#))
- l. System board (see [System board on page 92](#))


Remove the fan/heat assembly:

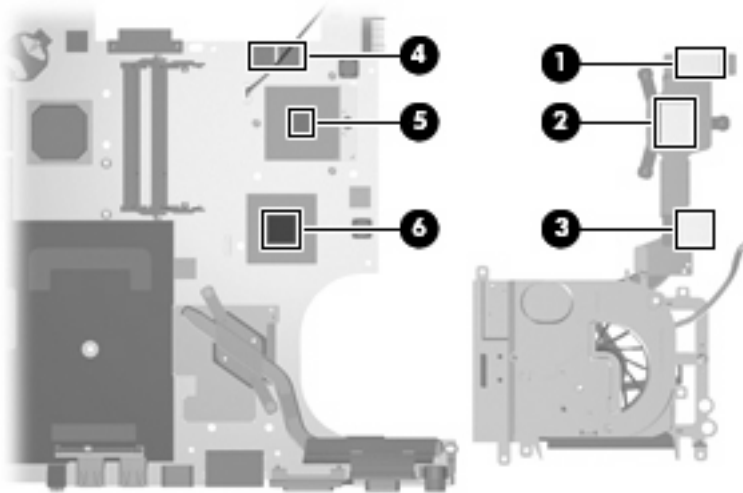
1. Turn the system board upside down, with the expansion port 3 and external monitor port toward you.
2. Disconnect the fan cable **(1)** from the system board.
3. Loosen the three Phillips PM2.5×5.0 captive screws **(2)** that secure the fan/heat sink assembly to the system board.

4. Remove the fan/heat sink assembly (3).

 **NOTE:** Due to the adhesive quality of the thermal material located between the fan/heat sink assembly and system board components, it may be necessary to move the fan/heat sink assembly from side to side to detach the assembly.




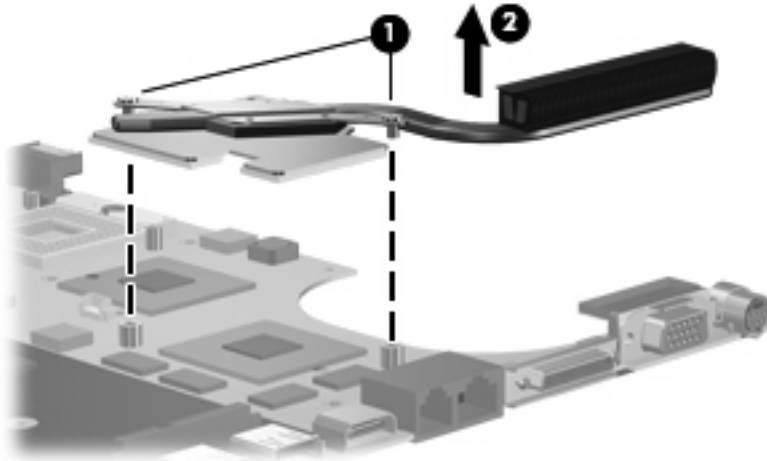
 **NOTE:** The thermal material must be thoroughly cleaned from the surfaces of the fan/heat sink assembly (1), (2), and (3), the system board components (4) and (6), and the processor (5) each time the fan/heat sink assembly is removed. Thermal material must be installed on all surfaces before the fan/heat sink assembly is reinstalled. Thermal material is included with all fan/heat sink assembly, system board, and processor spare part kits.




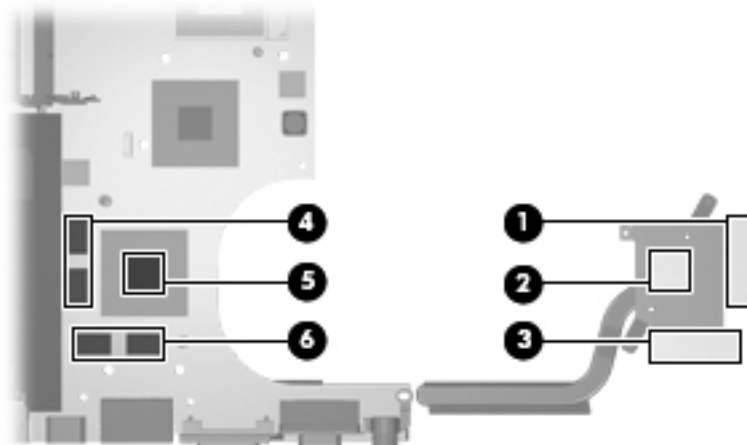
5. If it is necessary to replace the heat sink, loosen the two Phillips PM2.5×4.0 captive screws (1) that secure the heat sink to the system board.

6. Remove the heat sink (2).

 **NOTE:** Due to the adhesive quality of the thermal material located between the heat sink and system board components, it may be necessary to move the heat sink from side to side to detach the assembly.




 **NOTE:** The thermal material must be thoroughly cleaned from the surfaces of the heat sink (1), (2), and (3), and the system board components (4), (5), and (6) each time the heat sink is removed. Thermal material must be installed on all surfaces before the heat sink is reinstalled. Thermal material is included with all heat sink and system board spare part kits.



Reverse this procedure to install the fan/heat sink assembly and heat sink.



## Processor

 **NOTE:** All processor spare part kits include thermal material.

Description	Spare part number
<b>Intel processors:</b>	
Intel Core 2 Duo T7700 processor (2.4-GHz, 4-MB L2 cache, 800-MHz FSB)	446894-001
Intel Core Duo T7500 processor (2.2-GHz, 4-MB L2 cache, 800-MHz FSB)	447985-001
Intel Core Duo T7300 processor (2.0-GHz, 4-MB L2 cache, 800-MHz FSB)	446478-001
Intel Core Duo T7100 processor (1.8-GHz, 2-MB L2 cache, 800-MHz FSB)	446479-001
Intel Core Duo TJ85 processor (1.67-GHz, 2-MB L2 cache, 667-MHz FSB)	453195-001
Intel Core Duo T5250e processor (1.50-GHz, 2-MB L2 cache, 667-MHz FSB)	453033-001
Intel Core Duo T2330 processor (1.6-GHz, L2 cache, 533-MHz FSB)	455944-001
<b>AMD processors:</b>	
AMD Turion TL-66 processor (2.3-GHz, 1-MB L2 cache)	450804-001
AMD Turion TL-62 processor (2.1-GHz, 1-MB L2 cache)	456023-001
AMD Turion TL-60 processor (2.0-GHz, 1-MB L2 cache)	450803-001
AMD Turion TL-58 processor (1.9-GHz, 1-MB L2 cache)	450802-001
AMD Turion TL-56 processor (1.8-GHz, 1-MB L2 cache)	450801-001
AMD Athlon TK-55 processor (1.86-GHz, 512-MB L2 cache)	456024-001
AMD Athlon TK-53 processor (1.7-GHz, 512-MB L2 cache)	453037-001


Before removing the processor, follow these steps:

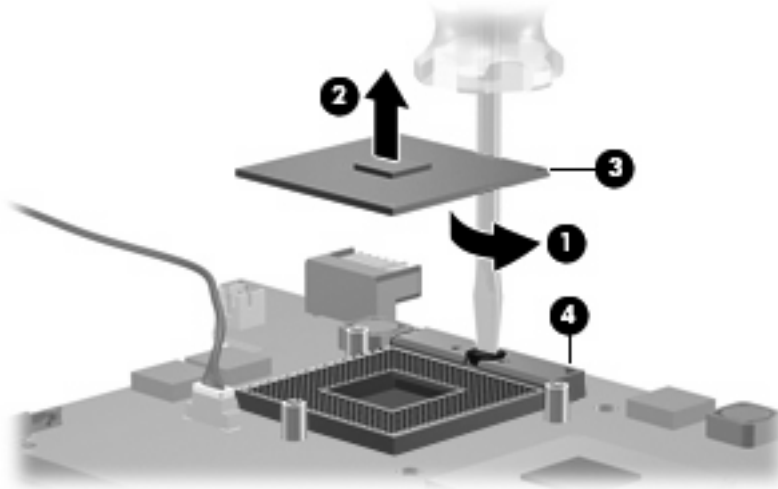
1. Shut down the computer. If you are unsure whether the computer is off or in Hibernation, turn the computer on, and then shut it down through the operating system.
2. Disconnect all external devices connected to the computer.
3. Disconnect the power from the computer by first unplugging the power cord from the AC outlet and then unplugging the AC adapter from the computer.
4. Remove the battery (see [Battery on page 47](#)).
5. Remove the following components:
  - a. Hard drive (see [Hard drive on page 52](#))
  - b. Optical drive (see [Optical drive on page 59](#))
  - c. Switch cover (see [Switch cover on page 61](#))
  - d. Keyboard (see [Keyboard on page 63](#))
  - e. Speaker assembly (see [Speaker assembly on page 66](#))
  - f. Display assembly (see [Display assembly on page 69](#))

- g. Top cover (see [Top cover on page 75](#))
- h. Wireless switch board (see [Wireless switch board on page 80](#))
- i. Audio board (see [Audio board on page 97](#))
- j. Front USB board (see [Front USB board on page 84](#))
- k. Top cover trim (see [Top cover trim on page 87](#))
- l. System board (see [System board on page 92](#))
- m. Fan/heat sink assembly (see [Fan/heat sink assembly on page 99](#))

Remove the processor:

1. Turn the processor locking screw (1) one-half turn counterclockwise until you hear a click.
2. Lift the processor (2) straight up and remove it.

 **NOTE:** The gold triangle (3) on the processor must be aligned with the triangle icon (4) embossed on the processor slot when you install the processor.




Reverse this procedure to install the processor.

---

# 5 Setup Utility

## Starting the Setup Utility

The Setup Utility is a ROM-based information and customization utility that can be used even when your Windows® operating system is not working or will not load.

 **NOTE:** The fingerprint reader (select models only) does not work when accessing the Setup Utility.

The utility reports information about the computer and provides settings for startup, security, and other preferences.

To start the Setup Utility:

1. Turn on or restart the computer.
2. Before Windows opens and while “Press <F10> to enter setup” is displayed in the lower-left corner of the screen, press **f10**.

# Using the Setup Utility

Use this section to understand the Setup Utility.

## Changing the language of the Setup Utility

The following procedure explains how to change the language of the Setup Utility. If the Setup Utility is not already running, begin at step 1. If the Setup Utility is already running, begin at step 2.

1. To start the Setup Utility, turn on or restart the computer, and then press **f10** while “Press <F10> to enter setup” is displayed in the lower-left corner of the screen.
2. Use the arrow keys to select **System Configuration > Language**, and then press **enter**.
3. Press **f5** or **f6** (or use the arrow keys) to select a language, and then press **enter** to select a language.
4. When a confirmation prompt with your preference selected is displayed, press **enter** to save your preference.
5. To set your preferences and exit the Setup Utility, press **f10** and then follow the instructions on the screen.

Your preferences go into effect when the computer restarts in Windows.

## Navigating and selecting in the Setup Utility

Because the Setup Utility is not Windows-based, it does not support the TouchPad. Navigation and selection are by keystroke.

- To choose a menu or a menu item, use the arrow keys.
- To choose an item in a drop-down list or to toggle a field, for example an Enable/Disable field, use either the arrow keys or **f5** or **f6**.
- To select an item, press **enter**.
- To close a text box or return to the menu display, press **esc**.
- To display additional navigation and selection information while the Setup Utility is open, press **f1**.

## Displaying system information

The following procedure explains how to display system information in the Setup Utility. If the Setup Utility is not open, begin at step 1. If the Setup Utility is open, begin at step 2.

1. To start the Setup Utility, turn on or restart the computer, and then press **f10** while “Press <F10> to enter setup” is displayed in the lower-left corner of the screen.
2. Access the system information by using the **Main** menu.
3. To exit the Setup Utility without changing any settings, use the arrow keys to select **Exit > Exit Discarding Changes**, and then press **enter**. (The computer restarts in Windows.)


## Restoring default settings in the Setup Utility

The following procedure explains how to restore the Setup Utility default settings. If the Setup Utility is not already running, begin at step 1. If the Setup Utility is already running, begin at step 2.

1. To start the Setup Utility, turn on or restart the computer, and then press **f10** while “Press <F10> to enter setup” is displayed in the lower-left corner of the screen.
2. Select **Exit > Load Setup Defaults**, and then press **enter**.
3. When the Setup Confirmation is displayed, press **enter** to save your preferences.
4. To set your preferences and exit the Setup Utility, press **f10**, and then follow the instructions on the screen.

The Setup Utility default settings are set when you exit the Setup Utility and go into effect when the computer restarts.

---

 **NOTE:** Your password, security, and language settings are not changed when you restore the factory default settings.

---

## Using advanced Setup Utility features

This guide describes the Setup Utility features recommended for all users. For more information about the Setup Utility features recommended for advanced users only, refer to Help and Support, which is accessible only when the computer is in Windows.

The Setup Utility features available for advanced users include a hard drive self-test, a Network Service Boot, and settings for boot order preferences.

The “<F12> to boot from LAN” message that is displayed in the lower-left corner of the screen each time the computer is started or restarted in Windows is the prompt for a Network Service Boot.

The “Press <F9> to change boot order” message that is displayed in the lower-left corner of the screen each time the computer is started or restarted in Windows is the prompt to change the boot order.

## Closing the Setup Utility

You can close the Setup Utility with or without saving changes.

- To close the Setup Utility and save your changes from the current session, use either of the following procedures:
  - Press **f10**, and then follow the instructions on the screen.
  - or –
  - If the Setup Utility menus are not visible, press **esc** to return to the menu display. Then use the arrow keys to select **Exit > Exit Saving Changes**, and then press **enter**.

When you use the **f10** procedure, you are offered an option to return to the Setup Utility. When you use the Exit Saving Changes procedure, the Setup Utility closes when you press **enter**.


- To close the Setup Utility without saving your changes from the current session:

If the Setup Utility menus are not visible, press **esc** to return to the menu display. Then use the arrow keys to select **Exit > Exit Discarding Changes**, and then press **enter**.

After the Setup Utility closes, the computer restarts in Windows.

## Setup Utility menus

The menu tables in this section provide an overview of Setup Utility options.

 **NOTE:** Some of the Setup Utility menu items listed in this chapter may not be supported by your computer.

### Main menu

Select	To Do This
System information	<ul style="list-style-type: none"><li>• View and change the system time and date.</li><li>• View identification information about the computer.</li><li>• View specification information about the processor, memory size, system BIOS, and keyboard controller version (select models only).</li></ul>

## Security menu

Select	To Do This
Administrator password	Enter, change, or delete an administrator password.
Power-On Password	Enter, change, or delete a power-on password.

## System Configuration menu

Select	To Do This
Language Support	Change the Setup Utility language.
Boot Options	Set the following boot options: <ul style="list-style-type: none"><li>• <b>f10</b> and <b>f12</b> Delay (sec.)—Set the delay for the <b>f10</b> and <b>f12</b> functions of the Setup Utility in intervals of 5 seconds each (0, 5, 10, 15, 20).</li><li>• CD-ROM boot—Enable/disable boot from CD-ROM.</li><li>• Floppy boot—Enable/disable boot from Floppy.</li><li>• Internal Network Adapter boot—Enable/disable boot from Internal Network Adapter.</li><li>• Boot Order—Set the boot order for:<ul style="list-style-type: none"><li>◦ USB Floppy</li><li>◦ ATAPI CD/DVD ROM Drive</li><li>◦ Hard drive</li><li>◦ USB Diskette on Key</li><li>◦ USB Hard drive</li><li>◦ Network adapter</li></ul></li></ul>
Button Sound (select models only)	Enable/disable the Quick Launch Button tapping sound.
Virtualization Technology	Enable/disable the processor Virtualization Technology.
Processor C4 State	Enable/disable the processor C4 sleep state.

## Diagnostics menu

Select	To Do This
Hard Disk Self Test	Run a comprehensive self-test on the hard drive. <b>NOTE:</b> On models with two hard drives, this menu option is called the <b>Primary Hard Disk Self Test</b> .
Secondary Hard Disk Self Test (select models only)	Run a comprehensive self-test on a secondary hard drive.
Memory Test	Run a diagnostic test on the system memory.

# 6 Specifications

## Computer specifications

	Metric	U.S.
<b>Dimensions</b>		
Height (front to back)	3.16 to 4.18 cm	1.26 to 1.65 in
Width	39.60 cm	15.59 in
Depth	28.50 cm	11.22 in
<b>Weight</b> (with optical drive, hard drive, and battery)	3.54 kg	7.80 lbs
Second hard drive adds:	0.13 kg	0.28 lbs
Camera adds:	0.009 kg	0.02 lbs
<b>Input power</b>		
Operating voltage	18.5 V dc @ 3.5 A - 65 W	
Operating current	3.5 A or 4.74 A	
<b>Temperature</b>		
Operating (not writing to optical disc)	0°C to 35°C	32°F to 95°F
Operating (writing to optical disc)	5°C to 35°C	41°F to 95°F
Nonoperating	-20°C to 60°C	-4°F to 140°F
<b>Relative humidity</b>		
Operating	10% to 90%	
Nonoperating	5% to 95%	
<b>Maximum altitude</b> (unpressurized)		
Operating (14.7 to 10.1 psia)	-15 m to 3,048 m	-50 ft to 10,000 ft
Nonoperating (14.7 to 4.4 psia)	-15 m to 12,192 m	-50 ft to 40,000 ft
<b>Shock</b>		
Operating	125 g, 2 ms, half-sine	
Nonoperating	200 g, 2 ms, half-sine	
<b>Random vibration</b>		



	Metric	U.S.
Operating	0.75 g zero-to-peak, 10 Hz to 500 Hz, 0.25 oct/min sweep rate	
Nonoperating	1.50 g zero-to-peak, 10 Hz to 500 Hz, 0.5 oct/min sweep rate	

**NOTE:** Applicable product safety standards specify thermal limits for plastic surfaces. The computer operates well within this range of temperatures.

## 17.0-inch, SXGA+ display specifications

	Metric	U.S.
<b>Dimensions</b>		
Height	23.00 cm	9.06 in
Width	36.90 cm	14.49 in
Diagonal	43.40 cm	17.09 in
<b>Number of colors</b>	Up to 16.8 million	
<b>Contrast ratio</b>	200:1 (typical)	
<b>Brightness</b>	180 nits (typical)	
<b>Pixel resolution</b>		
Pitch	0.197 × 0.197 mm	
Format	1680 × 1050	
Configuration	RGB vertical stripe	
<b>Backlight</b>	Edge lit	
<b>Character display</b>	80 × 25	
<b>Total power consumption</b>	4 W	
<b>Viewing angle</b>	+/-65° horizontal, +/-50° vertical (typical)	

## 17.0-inch WXGA+ display specifications

	Metric	U.S.
<b>Dimensions</b>		
Height	23.00 cm	9.06 in
Width	36.90 cm	14.49 in
Diagonal	43.40 cm	17.09 in
<b>Number of colors</b>	Up to 16.8 million	
<b>Contrast ratio</b>	200:1	
<b>Brightness</b>	180 nits typical	
<b>Pitch resolution</b>		
Pitch	0.259 × 0.259 mm	
Format	1280 × 800	
Configuration	RGB vertical stripe	
<b>Backlight</b>	Edge lit	
<b>Character display</b>	80 × 25	
<b>Total power consumption</b>	4 W	
<b>Viewing angle</b>	+/-40° horizontal, +20/-40° vertical typical	

## Hard drive specifications

	200-GB*	160-GB*	120-GB*	100-GB*	80-GB*
<b>Dimensions</b>					
Height	9.5 mm	9.5 mm	9.5 mm	9.5 mm	9.5 mm
Width	70 mm	70 mm	70 mm	70 mm	70 mm
Weight	101 g	101 g	101 g	101 g	101 g
<b>Interface type</b>					
	ATA-7	ATA-7	ATA-7	ATA-7	ATA-7
<b>Transfer rate</b>					
Synchronous (maximum)	100 MB/sec	100 MB/sec	100 MB/sec	100 MB/sec	100 MB/sec
Security	ATA security	ATA security	ATA security	ATA security	ATA security
<b>Seek times</b> (typical read, including setting)					
Single track	3 ms	3 ms	3 ms	3 ms	3 ms
Average	13 ms	13 ms	13 ms	13 ms	13 ms
Maximum	24 ms	24 ms	24 ms	24 ms	24 ms
<b>Logical blocks</b>					
	396,532,124	317,249,699	237,937,274	198,281,062	158,624,849
<b>Disc rotational speed</b>					
	4200-rpm	5400-rpm	5400-rpm	7200-rpm	5400-rpm
<b>Operating temperature</b>					
	5°C to 55°C (41°F to 131°F)				
*1 GB = 1 billion bytes when referring to hard drive storage capacity. Actual accessible capacity is less.					
<b>NOTE:</b> Certain restrictions and exclusions apply. Contact technical support for details.					

# DVD±RW and CD-RW SuperMulti Double-Layer Combo Drive specifications

Applicable disc	Read:	Write:
	CD-DA, CD+(E)G, CD-MIDI, CD-TEXT, CD-ROM, CD-ROM XA, MIXED MODE CD, CD-I, CD-I Bridge (Photo-CD, Video CD), Multisession CD (Photo-CD, CD-EXTRA, Portfolio, CD-R, CD-RW), CD-R, CD-RW, DVD-ROM (DVD-5, DVD-9, DVD-10, DVD-18), DVD-R, DVD-RW, DVD+R, DVD+RW, DVD-RAM	CD-R and CD-RW DVD+R, DVD+RW, DVD-R, DVD-RW, DVD-RAM
Access time	CD	DVD
Random	< 175 ms	< 230 ms
Cache buffer	2 MB	
Data transfer rate		
24X CD-ROM	3,600 KB/sec	
8X DVD	10,800 KB/sec	
24X CD-R	3,600 KB/sec	
16X CD-RW	2,400 KB/sec	
8X DVD+R	10,800 KB/sec	
4X DVD+RW	5,400 KB/sec	
8X DVD-R	10,800 KB/sec	
4X DVD-RW	5,400 KB/sec	
2.4X DVD+R(9)	2,700 KB/sec	
5X DVD-RAM	6,750 KB/sec	
Transfer mode	Multiword DMA Mode	

# HD DVD-ROM Drive with SuperMulti DVD±R/RW Double Layer support specifications

Applicable disc	Read:	Write:	
	CD-DA, CD+(E)G, CD-MIDI, CD-TEXT, CD-ROM, CD-ROM XA, MIXED MODE CD, CD-I, CD-I Bridge (Photo-CD, Video CD), Multisession CD (Photo-CD, CD-EXTRA, Portfolio, CD-R, CD-RW), CD-R, CD-RW, DVD-ROM (DVD-5, DVD-9, DVD-10, DVD-18), DVD-R, DVD-RW, DVD+R, DVD+RW, DVD-RAM, HD-ROM (Single Layer), HD-ROM (Dual Layer), HD DVD-R, HD DVD-R for Dual Layer, HD DVD-RW	CD-R and CD-RW DVD+R, DVD+R(9), DVD+RW, DVD-R, DVD-R(9), DVD-RW, DVD-RAM	
Access time	CD	DVD	HD
Random	170 ms	170 ms	230 ms
Cache buffer	8 MB		
Data transfer rate			
24X CD-ROM	3,600 KB/sec		
8X DVD	10,800 KB/sec		
16X CD-R	2,400 KB/sec		
10X CD-RW	1,500 KB/sec		
4X DVD+R	5,400 KB/sec		
4X DVD+RW	5,400 KB/sec		
4X DVD-R	5,400 KB/sec		
4X DVD-RW	5,400 KB/sec		
2.4X DVD+R(9)	2,700 KB/sec		
3X DVD-RAM	4,056 KB/sec		
1X HD-DVD-ROM	4,460 KB/sec		
Transfer mode	Multiword DMA Mode		

# Blu-ray Disc ROM Drive with SuperMulti DVD±R/RW Double-Layer (DL) support specifications

Applicable disc	Read:	Write:	
	CD-DA, CD+(E)G, CD-MIDI, CD-TEXT, CD-ROM, CD-ROM XA, MIXED MODE CD, CD-I, CD-I Bridge (Photo-CD, Video CD), Multisession CD (Photo-CD, CD-EXTRA, Portfolio, CD-R, CD-RW), CD-R, CD-RW, DVD-ROM (DVD-5, DVD-9, DVD-10, DVD-18), DVD-R, DVD-RW, DVD+R, DVD+RW, DVD-RAM, BD-ROM, BD-RE, BD-R	CD-R and CD-RW DVD+R, DVD+R(9), DVD+RW, DVD-R, DVD-R(9), DVD-RW, DVD-RAM	
Access time	CD	DVD	Blu-ray
Random	150 ms	180 ms	300 ms
Cache buffer	8 MB		
Data transfer rate			
24X CD-ROM	3,600 KB/sec		
8X DVD	10,800 KB/sec		
24X CD-R	3,600 KB/sec		
16X CD-RW	2,400 KB/sec		
8X DVD+R	10,800 KB/sec		
4X DVD+RW	5,400 KB/sec		
8X DVD-R	10,800 KB/sec		
4X DVD-RW	5,400 KB/sec		
2.4X DVD+R(9)	2,700 KB/sec		
5X DVD-RAM	6,750 KB/sec		
1X BD-ROM	4,500 KB/sec		
1X BD-R read	4,500 KB/sec		
1X BD-RE read	4,500 KB/sec		
Transfer mode	Multiword DMA Mode		

## System DMA specifications, Intel

Hardware DMA	System function
DMA0	Not applicable
DMA1*	Not applicable
DMA2*	Not applicable
DMA3	Not applicable
DMA4	Direct memory access controller
DMA5*	Available for PC Card
DMA6	Not assigned
DMA7	Not assigned

\*PC Card controller can use DMA 1, 2, or 5.

# System DMA specifications, AMD discrete and UMA graphics

Hardware DMA	System function
DMA4	Direct memory access controller



# System interrupt specifications, Intel

Hardware IRQ	System function
IRQ0	System timer
IRQ1	Standard 101-/102-Key or Microsoft® Natural Keyboard
IRQ2	Cascaded
IRQ3	Intel 82801DB/DBM USB2 Enhanced Host Controller—24CD
IRQ4	COM1
IRQ5*	Conexant AC—Link Audio Intel 82801DB/DBM SMBus Controller—24C3 Data Fax Modem with SmartCP
IRQ6	Diskette drive
IRQ7*	Parallel port
IRQ8	System CMOS/real-time clock
IRQ9*	Microsoft ACPI-compliant system
IRQ10*	Intel USB UHCI controller—24C2 Intel 82852/82855 GM/GME Graphic Controller Realtek RTL8139 Family PCI Fast Ethernet Controller
IRQ11	Intel USB EHCI controller—24CD Intel USB UHCI controller—24C4 Intel USB UHCI controller—24C7 Intel Pro/Wireless 2200BG TI OHCI 1394 host controller TI PCI1410 CardBus controller
IRQ12	Synaptics PS/2 TouchPad
IRQ13	Numeric data processor
IRQ14	Primary IDE channel
IRQ15	Secondary IDE channel

\*Default configuration; audio possible configurations are IRQ5, IRQ7, IRQ9, IRQ10, or none.

**NOTE:** PC Cards may assert IRQ3, IRQ4, IRQ5, IRQ7, IRQ9, IRQ10, IRQ11, or IRQ15. Either the infrared or the serial port may assert IRQ3 or IRQ4.

# System interrupt specifications, AMD discrete graphics

Hardware	IRQ System function
IRQ0	High precision event timer
IRQ1	Standard 101-/102-Key or Microsoft® Natural PS/2 Keyboard
IRQ5	RICOH OHCI Compliant IEEE 1394 Host Controller
IRQ7	Ricoh Memory Stick Controller Ricoh SD/MMC Host Controller Ricoh XD-Picture Card Controller SDA Standard Compliant SD Host Controller
IRQ8	High precision event timer
IRQ10	nVidia nForce PCI System Management
IRQ11	nVidia nForce System Management Controller
IRQ12	Synaptics PS/2 Port TouchPad
IRQ13	Numeric data processor
IRQ14	ATA Channel 0
IRQ15	ATA Channel 1
IRQ16	Broadcom WLAN adapter
IRQ17	Standard Enhanced PCI to USB Host Controller
IRQ18	Standard OpenHCD USB Host Controller
IRQ19	nVidia GeForce8400M GS
IRQ20	nVidia nForce Networking Controller
IRQ21	HDA Controller
IRQ23	Standard Dual Channel PCI IDE Controller

## System interrupt specifications, AMD UMA graphics

Hardware	IRQ System function
IRQ0	High precision event timer
IRQ1	Standard 101-/102-Key or Microsoft® Natural PS/2 Keyboard
IRQ5	RICOH OHCI Compliant IEEE 1394 Host Controller
IRQ7	Ricoh Memory Stick Controller Ricoh SD/MMC Host Controller Ricoh XD-Picture Card Controller SDA Standard Compliant SD Host Controller
IRQ8	High precision event timer
IRQ10	nVidia nForce PCI System Management
IRQ11	nVidia nForce System Management Controller
IRQ12	Synaptics PS/2 Port TouchPad
IRQ13	Numeric data processor
IRQ14	ATA Channel 0
IRQ15	ATA Channel 1
IRQ16	nVidia MCP67M
IRQ18	Standard OpenHCD USB Host Controller Standard OpenHCD USB Host Controller
IRQ19	Broadcom WLAN adapter
IRQ21	HDA Controller
IRQ22	Standard Enhanced PCI to USB Host Controller Standard Enhanced PCI to USB Host Controller
IRQ23	Standard Dual Channel PCI IDE Controller

## System I/O address specifications, Intel

I/O address (hex)	System function (shipping configuration)
000 - 00F	DMA controller no. 1
010 - 01F	Unused
020 - 021	Interrupt controller no. 1
022 - 024	Opti chipset configuration registers
025 - 03F	Unused
02E - 02F	87334 "Super I/O" configuration for CPU
040 - 05F	Counter/timer registers
044 - 05F	Unused
060	Keyboard controller
061	Port B
062 - 063	Unused
064	Keyboard controller
065 - 06F	Unused
070 - 071	NMI enable/RTC
072 - 07F	Unused
080 - 08F	DMA page registers
090 - 091	Unused
092	Port A
093 - 09F	Unused
0A0 - 0A1	Interrupt controller no. 2
I/O Address (hex)	System Function (shipping configuration)
0A2 - 0BF	Unused
0C0 - 0DF	DMA controller no. 2
0E0 - 0EF	Unused
0F0 - 0F1	Coprocessor busy clear/reset
0F2 - 0FF	Unused
100 - 16F	Unused
170 - 177	Secondary fixed disk controller
178 - 1EF	Unused
1F0 - 1F7	Primary fixed disk controller
1F8 - 200	Unused
201	JoyStick (decoded in ESS1688)
202 - 21F	Unused

<b>I/O address (hex)</b>	<b>System function (shipping configuration)</b>
220 - 22F	Entertainment audio
230 - 26D	Unused
26E - 26	Unused
278 - 27F	Unused
280 - 2AB	Unused
2A0 - 2A7	Unused
2A8 - 2E7	Unused
2E8 - 2EF	Reserved serial port
2F0 - 2F7	Unused
2F8 - 2FF	Infrared port
300 - 31F	Unused
320 - 36F	Unused
370 - 377	Secondary diskette drive controller
378 - 37F	Parallel port (LPT1/default)
380 - 387	Unused
388 - 38B	FM synthesizer—OPL3
38C - 3AF	Unused
3B0 - 3BB	VGA
3BC - 3BF	Reserved (parallel port/no EPP support)
3C0 - 3DF	VGA
3E0 - 3E1	PC Card controller in CPU
3E2 - 3E3	Unused
3E8 - 3EF	Internal modem
3F0 - 3F7	"A" diskette controller
3F8 - 3FF	Serial port (COM1/default)
CF8 - CFB	PCI configuration index register (PCIDIVO-1)
CFC - CFF	PCI configuration data register (PCIDIVO-1)

# System I/O address specifications, AMD discrete and UMA graphics

I/O address (hex)	System function (shipping configuration)
0000 - 0008	DMA controller
000A - 000F	DMA controller
0020 - 0021	Programmable interrupt controller
0040 - 0043	System timer
0060 - 0060	Standard 101-/102-Key or Microsoft® Natural PS/2 Keyboard
0061 - 0061	System speaker
0062 - 0062	Microsoft ACPI-Compliant Embedded Controller
0064 - 0064	Standard 101-/102-Key or Microsoft® Natural PS/2 Keyboard
0066 - 0066	Microsoft ACPI-Compliant Embedded Controller
0070 - 0071	System CMOS/real time clock
0081 - 0083	DMA controller
0087 - 0087	DMA controller
0089 - 008B	DMA controller
008F - 008F (UMA only)	DMA controller
00A0 - 00A1	Programmable interrupt controller
00C0 - 00D1	DMA controller
00D4 - 00DF	DMA controller
00F0 - 00F1	Numeric data processor
0170 - 0177	ATA Channel 1
01F0 - 01F7	ATA Channel 0
0376 - 0376	ATA Channel 1
03B0 - 03BB	nVidia GeForce8400M GS (discrete) nVidia MCP67M (UMA)
03B0 - 03BB (discrete only)	PCI standard PCI-to-PCI bridge
03C0 - 03DF	nVidia GeForce8400M GS (discrete) nVidia MCP67M (UMA)
03C0 - 03DF (discrete only)	PCI standard PCI-to-PCI bridge
03F6 - 03F6	ATA Channel 0
3000 - 303F	nVidia nForce PCI System Management
3040 - 307F	nVidia nForce PCI System Management
3080 - 30BF	nVidia nForce PCI System Management
30C0 - 30CF	Standard Dual Channel PCI IDE Controller

<b>I/O address (hex)</b>	<b>System function (shipping configuration)</b>
30D0 - 30DF	Standard Dual Channel PCI IDE Controller
30E0 - 30E3 (UMA only)	Standard Dual Channel PCI IDE Controller
30E8 - 30EB	Standard Dual Channel PCI IDE Controller
30EC - 30EF	Standard Dual Channel PCI IDE Controller
30F0 - 30F7	Standard Dual Channel PCI IDE Controller
30F8 - 30FF (discrete only)	Standard Dual Channel PCI IDE Controller
4000 - 407F (discrete only)	nVidia GeForce8400M GS
4000 - 4FFF	PCI standard PCI-to-PCI bridge
5000 - 5FFF (discrete only)	PCI standard PCI-to-PCI bridge

## System memory map specifications, Intel

Size	Memory address	System function
640 KB	00000000-0009FFFF	Base memory
128 KB	000A0000-000BFFFF	Video memory
48 KB	000C0000-000CBFFF	Video BIOS
160 KB	000C8000-000E7FFF	Unused
64 KB	000E8000-000FFFFF	System BIOS
15 MB	00100000-00FFFFFF	Extended memory
58 MB	04800000-07FFFFFF	Super extended memory
58 MB	04800000-07FFFFFF	Unused
2 MB	08000000-080FFFFF	Video memory (direct access)
4 GB	08200000-FFFEFFFF	Unused
64 KB	FFFF0000-FFFFFFFF	System BIOS



## System memory map specifications, AMD discrete graphics

Size	Memory address	System function
128 KB	000A0000-000BFFFF	nVidia GeForce8400M GS
16 KB	B0000000-B0003FFF	HDA Controller
8 KB	B0004000-B0005FFF	Standard Dual Channel PCI IDE Controller
4 KB	B0006000-B0006FFF	Standard OpenHCD USB Host Controller
256 B	B0007000-B00070FF	Standard Enhanced PCI to USB Host Controller
4 KB	B0008000-B0008FFF	nVidia nForce Networking Controller
512 KB	B0080000-B00FFFFFF	nVidia nForce System Management Controller
2 KB	B0100000-B01007FF	RICOH OHCI Compliant IEEE 1394 Host Controller
256 B	B0100800-B01008FF	SDA Standard Compliant SD Host Controller
256 B	B0100C00-B0100CFF	Ricoh SD/MMC Host Controller
256 B	B0101000-B01010FF	Ricoh Memory Stick Controller
256 B	B0101400-B01014FF	Ricoh XD-Picture Card Controller
16 KB	B0200000-B0203FFF	Broadcom WLAN adapter
16 MB	B1000000-B1FFFFFF	nVidia GeForce8400M GS
32 MB	B2000000-B3FFFFFF	nVidia GeForce8400M GS
1 MB	B6000000-B60FFFFFF	Broadcom WLAN adapter
256 MB	C0000000-CFFFFFFF	nVidia GeForce8400M GS
1 KB	FED00000-FED003FF	High precision event timer

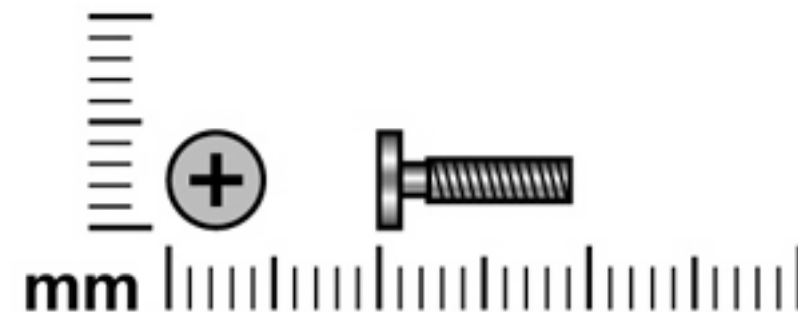
## System memory map specifications, AMD UMA graphics

Size	Memory address	System function
128 KB	000A0000-000BFFFF	nVidia MCP67M
16 KB	B0000000-B0003FFF	HDA Controller
8 KB	B0004000-B0005FFF	Standard Dual Channel PCI IDE Controller
4 KB	B0006000-B0006FFF	Standard OpenHCD USB Host Controller
256 B	B0007000-B00070FF	Standard Enhanced PCI to USB Host Controller
256 B	B0007400-B00074FF	Standard Enhanced PCI to USB Host Controller
16 B	B0007800-B000780F	nVidia nForce Networking Controller
256 B	B0007C00-B0007CFF	nVidia nForce Networking Controller
4 KB	B0008000-B0008FFF	Standard OpenHCD USB Host Controller
4 KB	B0009000-B0009FFF	nVidia nForce Networking Controller
512 KB	B0080000-B00FFFFFFF	nVidia nForce System Management Controller
16 MB	B1000000-B1FFFFFFF	nVidia MCP67M
16 MB	B2000000-B2FFFFFFF	nVidia MCP67M
2 KB	B3000000-B30007FF	RICOH OHCI Compliant IEEE 1394 Host Controller
256 B	B3000800-B30008FF	SDA Standard Compliant SD Host Controller
256 B	B3000C00-B3000CFF	Ricoh SD/MMC Host Controller
256 B	B3001000-B30010FF	Ricoh Memory Stick Controller
256 B	B3001400-B30014FF	Ricoh XD-Picture Card Controller
16 KB	B6000000-B6003FFF	Broadcom WLAN adapter
256 KB	C0000000-CFFFFFFF	nVidia MCP67M
1 KB	FED00000-FED003FF	High precision event timer

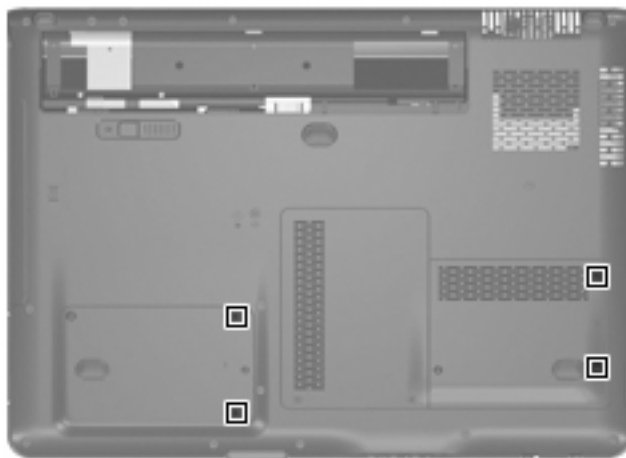
## 7 Screw listing

This section provides specification and reference information for the screws and screw locks used in the computer. All screws and screw locks listed in this section are available in the Screw Kit, spare part number 441140-001, and the Display Screw Kit, spare part number 441124-001.

### Phillips PM2.5×8.0 captive screw



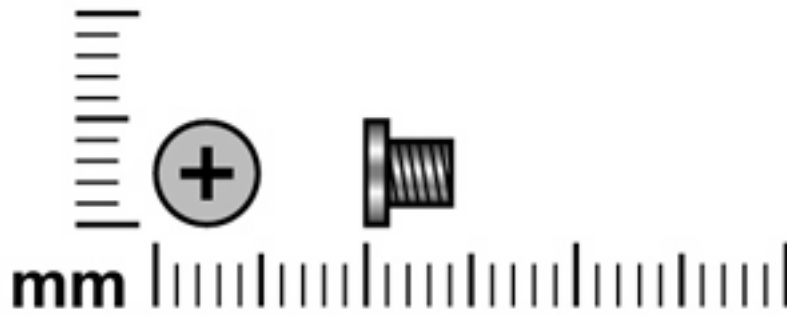
Color	Quantity	Length	Thread	Head width
Black	4	8.0 mm	2.4 mm	5.0 mm



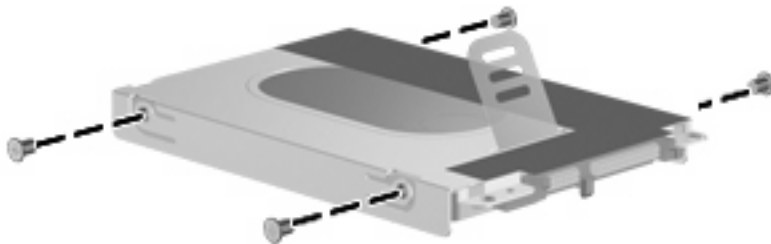
#### Where used:

4 captive screws (secured by C-clips) that secure the hard drive covers to the computer

## Phillips PM3.0×4.0 screw

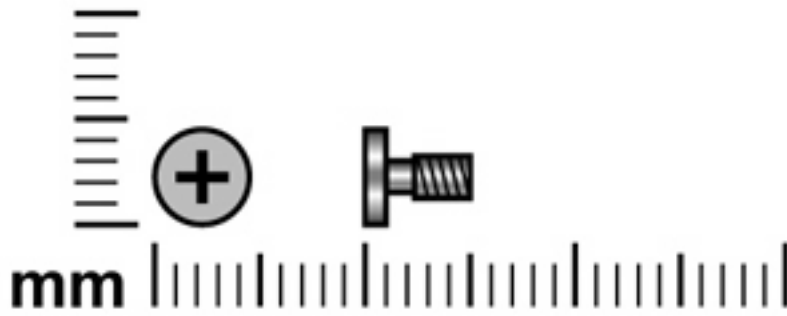


Color	Quantity	Length	Thread	Head width
Silver	8	4.0 mm	3.0 mm	5.0 mm

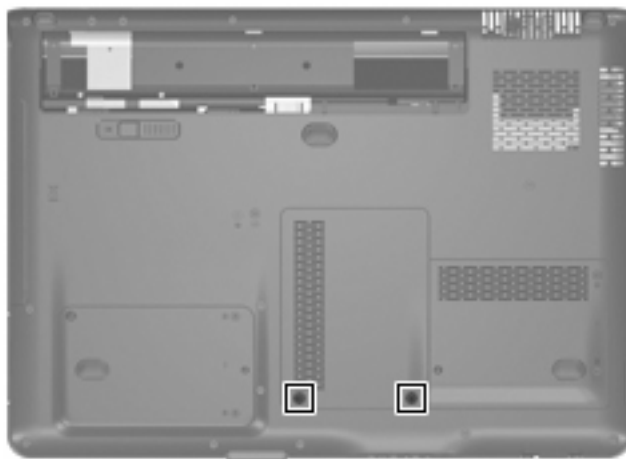


**Where used:** 8 screws that secure the hard drive brackets to the hard drives

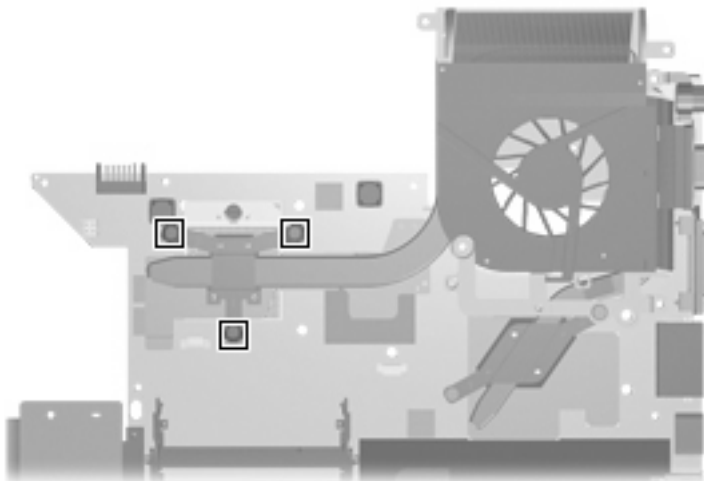
## Phillips PM2.5×5.0 captive screw



Color	Quantity	Length	Thread	Head width
Black	5	5.0 mm	2.5 mm	5.0 mm

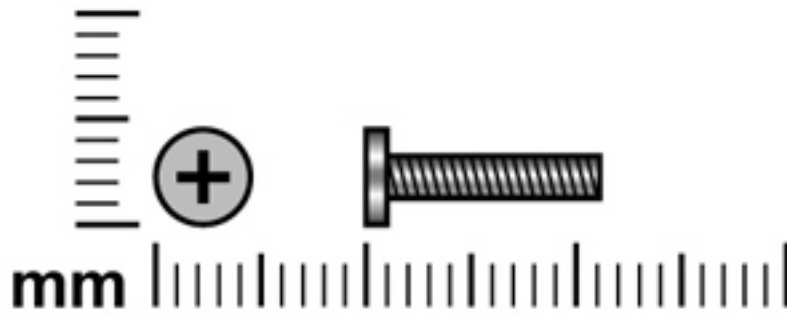


**Where used:** 2 captive screws (secured by C-clips) that secure the memory/WLAN module compartment cover to the computer

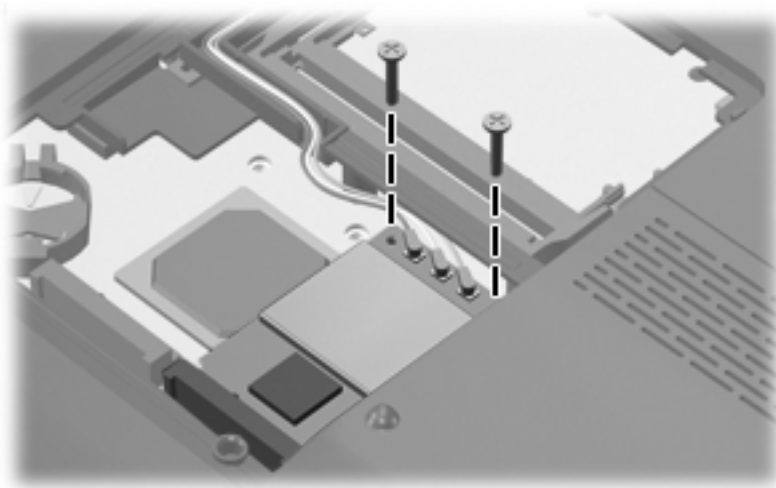


**Where used:** 3 captive screws that secure the fan/heat sink assembly to the computer

## Phillips PM2.0×11.0 screw



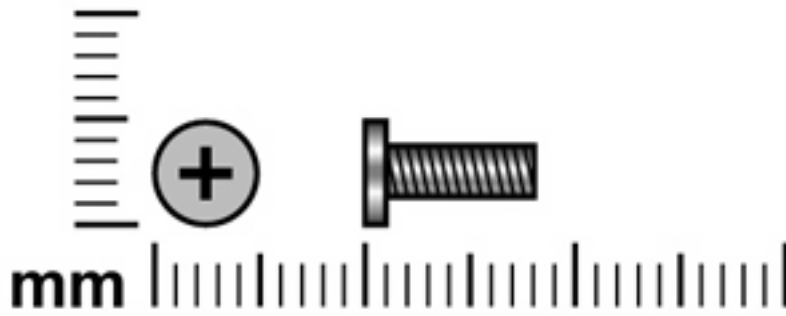
Color	Quantity	Length	Thread	Head width
Silver	2	11.0 mm	2.0 mm	5.0 mm



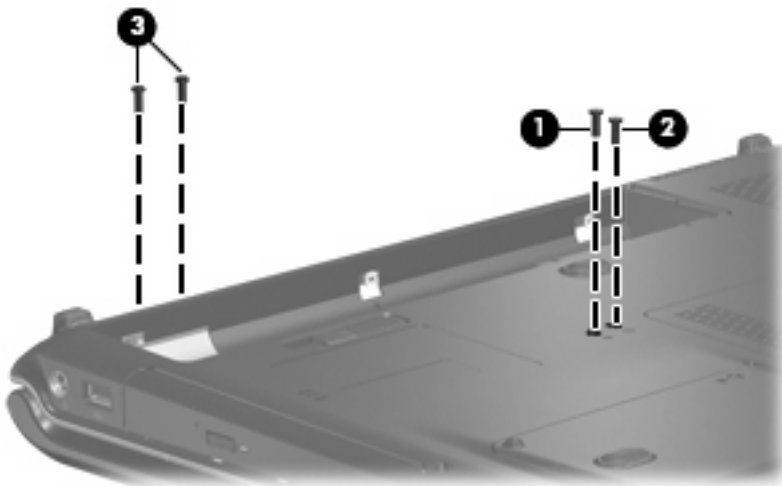
### Where used:

2 screws that secure the WLAN module to the computer

## Phillips PM2.5×8.0 screw

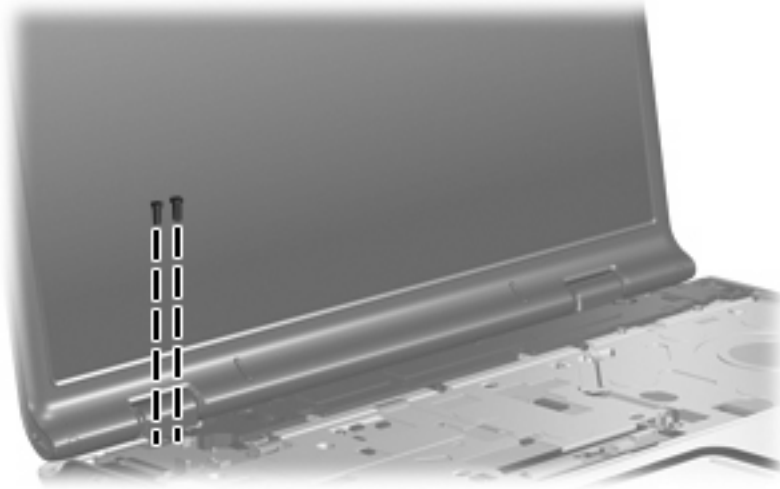


Color	Quantity	Length	Thread	Head width
Black	37	8.0 mm	2.5 mm	5.0 mm

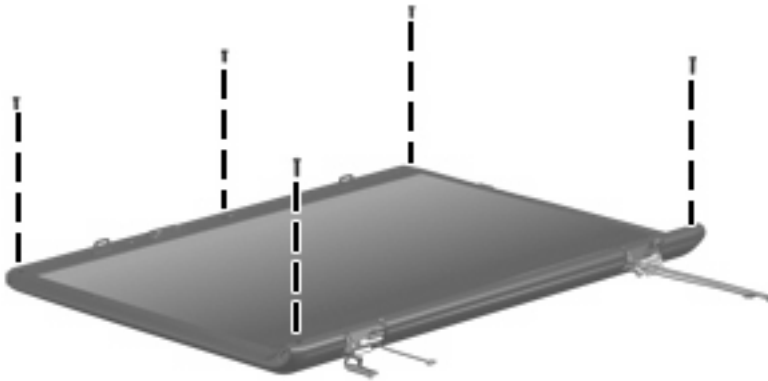


### Where used:

- (1) One screw that secures the optical drive to the computer
- (2) One screw that secures the keyboard to the computer
- (3) Two screws that secure the display assembly to the computer



**Where used:** 2 screws that secure the display assembly to the computer

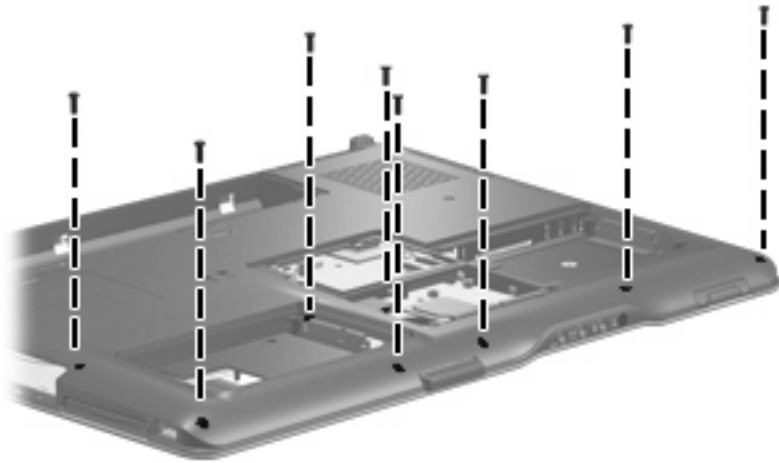


**Where used:** 5 screws that secure the display bezel to the display computer

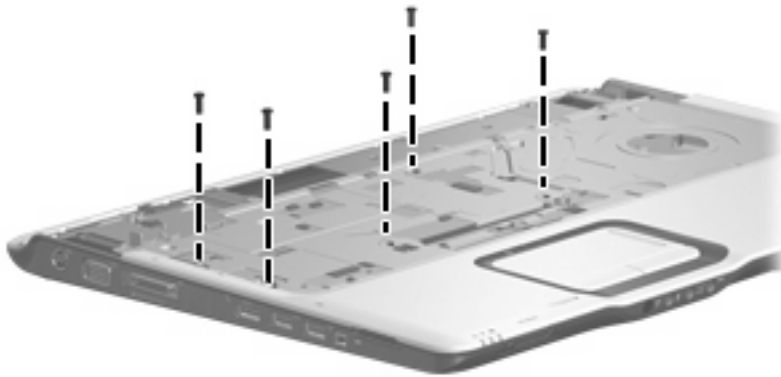


**Where used:** 4 screws that secure the display panel to the display enclosure

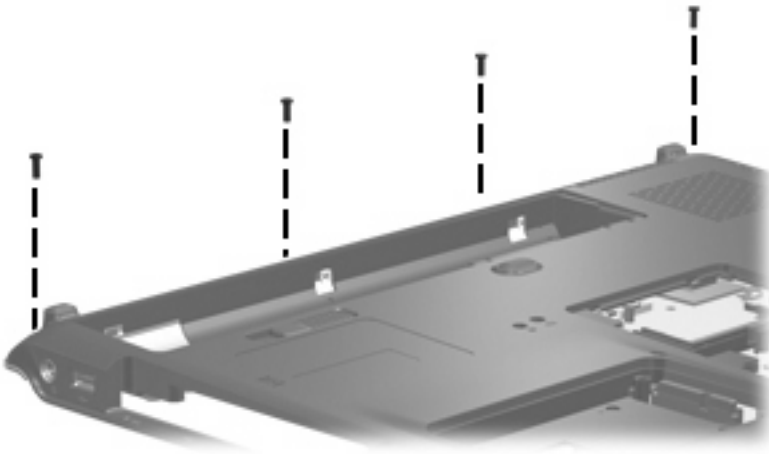




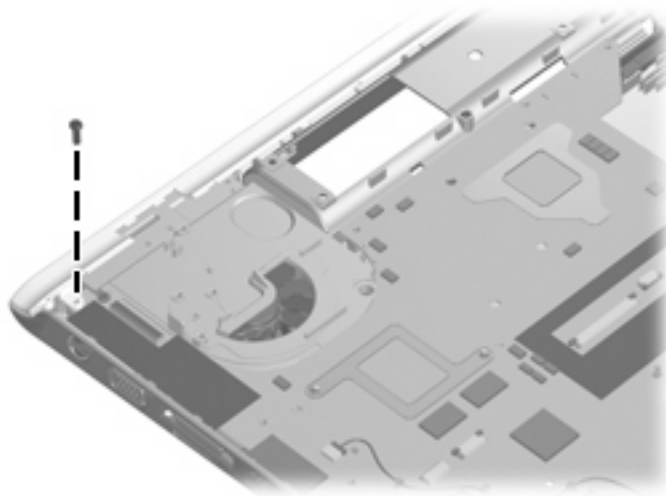
**Where used:** 8 screws that secure the top cover to the computer



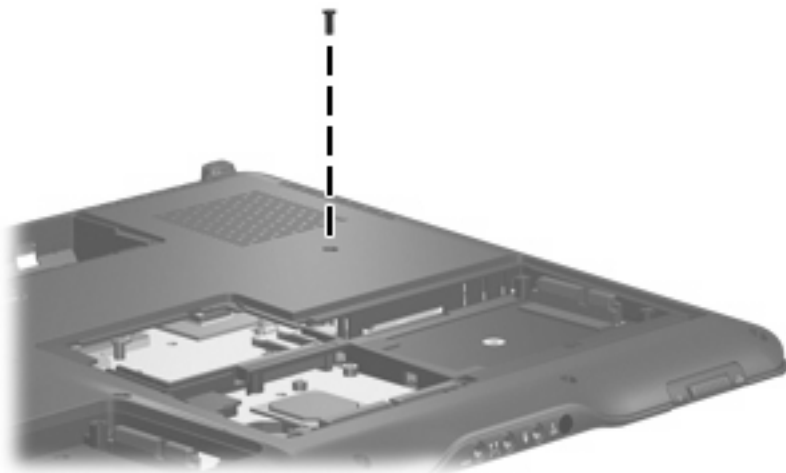
**Where used:** 5 screws that secure the top cover to the computer



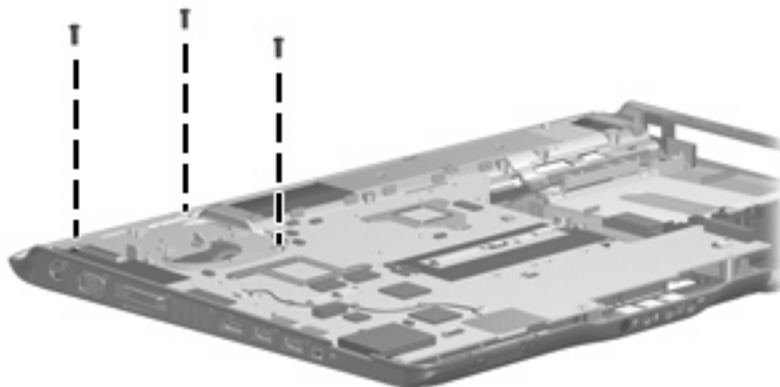
**Where used:** 4 screws that secure the top cover trim to the computer



**Where used:** One screw that secures the top cover trim to the computer

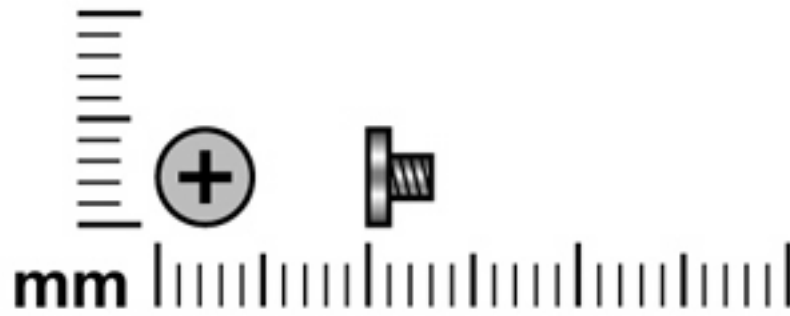


**Where used:** One screw that secures the system board to the computer

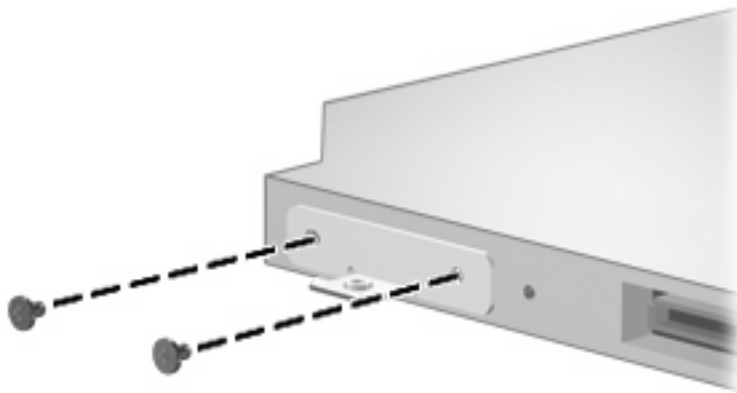


**Where used:** 3 screws that secure the system board to the computer

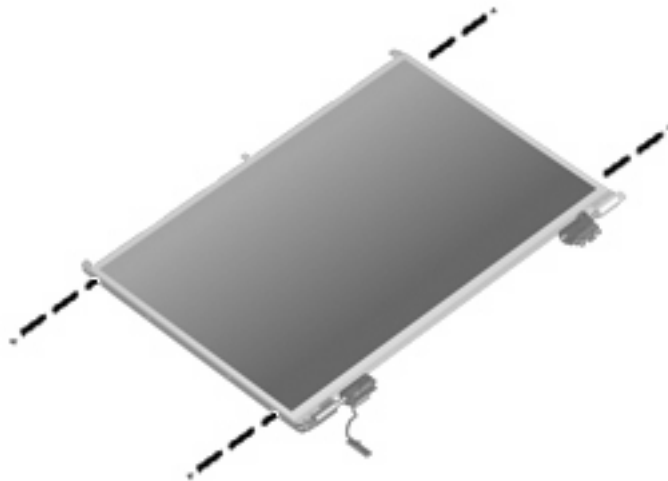
## Phillips PM2.0×3.0 screw



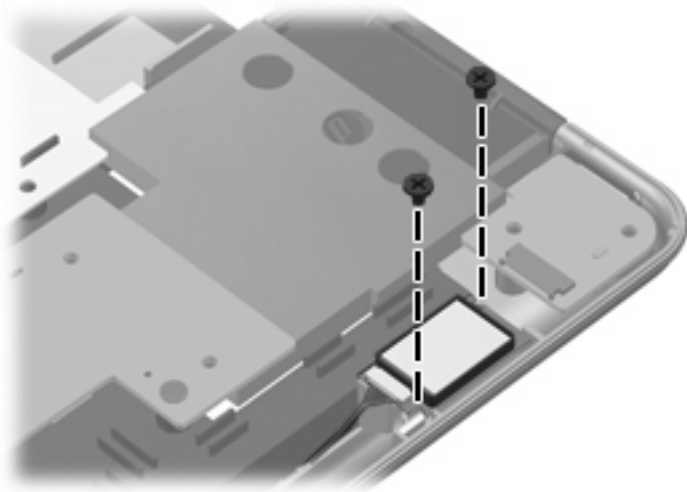
Color	Quantity	Length	Thread	Head width
Silver	8	3.0 mm	2.0 mm	4.0 mm



**Where used:** 2 screws that secure the optical drive bracket to the optical drive

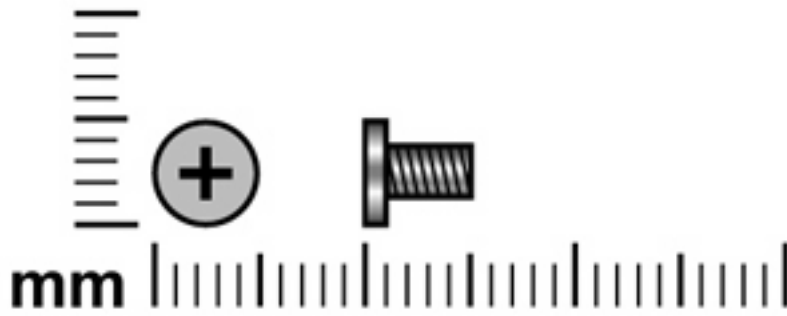


**Where used:** 4 screws that secure the display hinges to the display panel

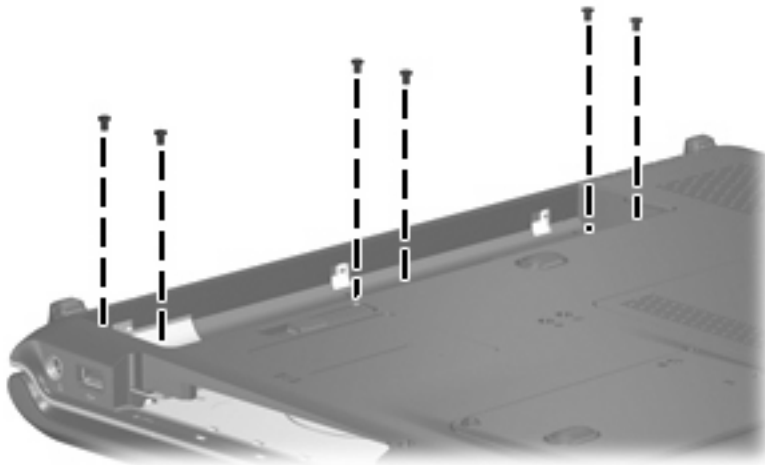


**Where used:** 2 screws that secure the Bluetooth module to the system board

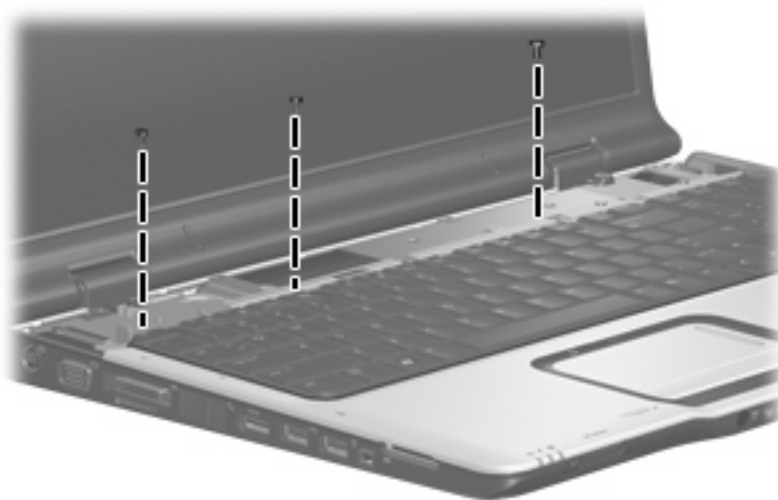
## Phillips PM2.5×5.0 screw



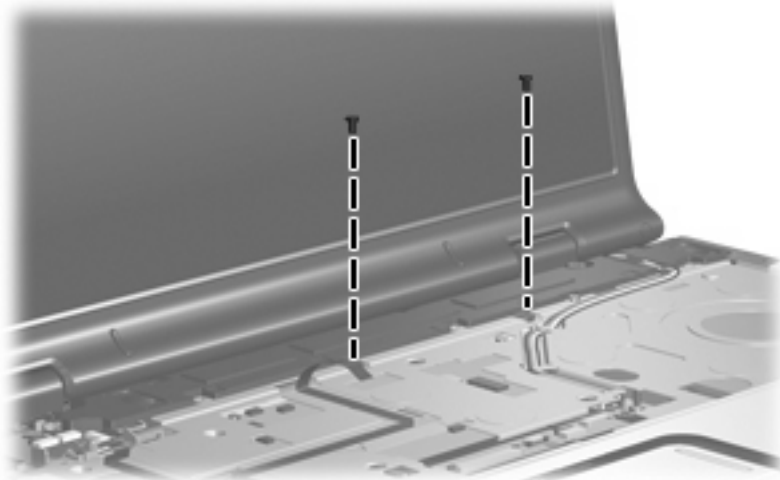
Color	Quantity	Length	Thread	Head width
Silver	35	5.0 mm	2.5 mm	5.0 mm



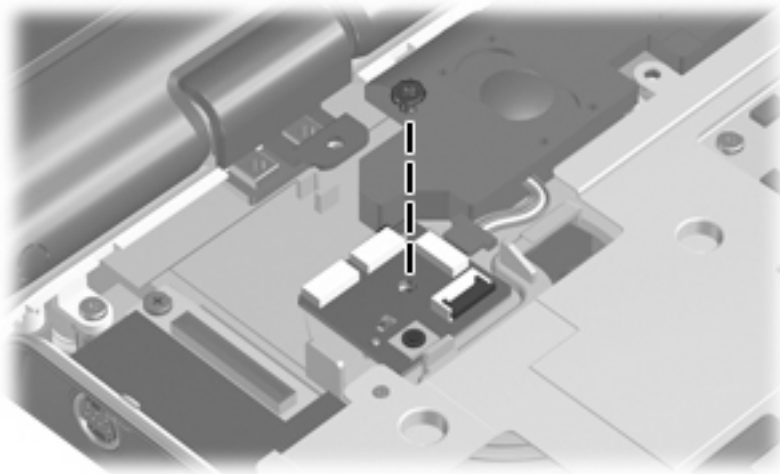
**Where used:** 6 screws that secure the switch cover to the computer



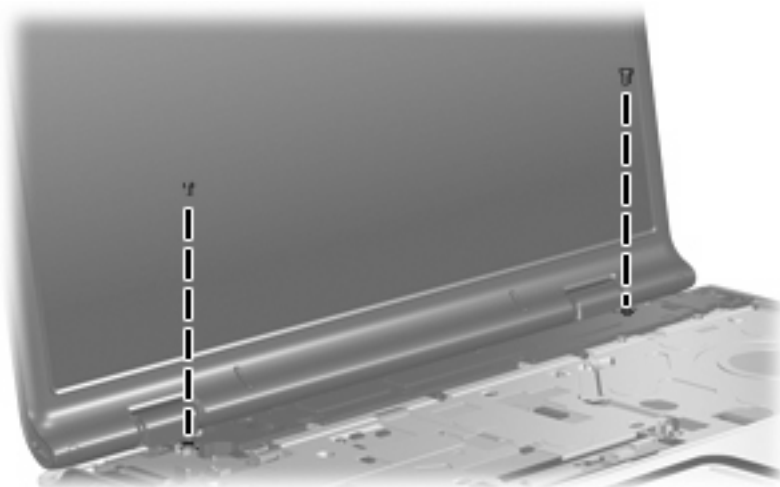
**Where used:** 3 screws that secure the keyboard to the computer



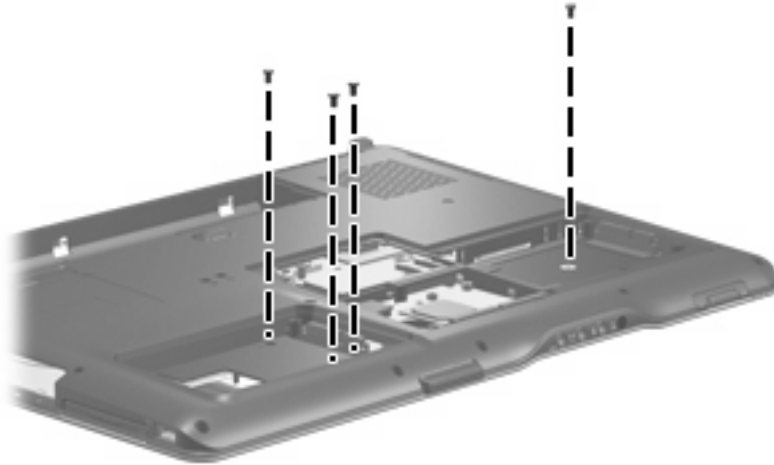
**Where used:** 2 screws that secure the speaker to the computer



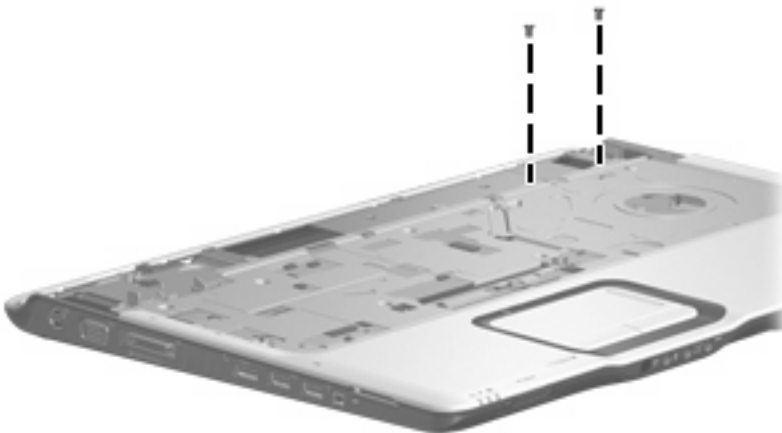
**Where used:** One screw that secures the power button board to the computer



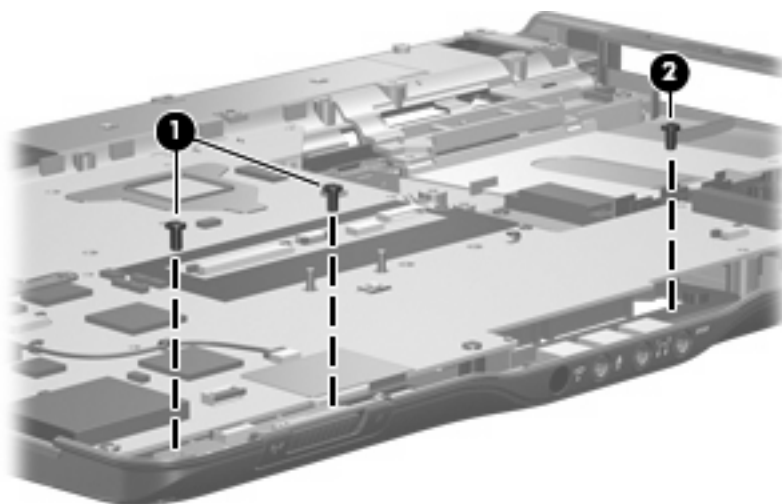
**Where used:** 2 screws that secure the display assembly to the computer



**Where used:** 4 screws that secure the top cover to the computer



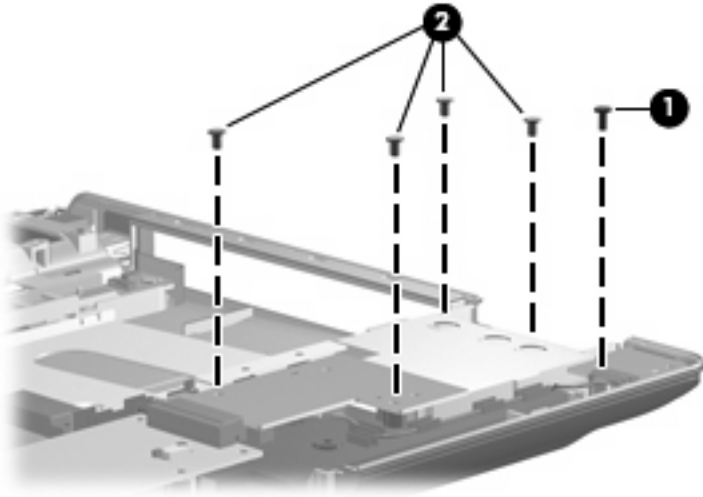
**Where used:** 2 screws that secure the top cover to the computer



**Where used:**

(1) Two screws that secure the wireless switch board to the computer

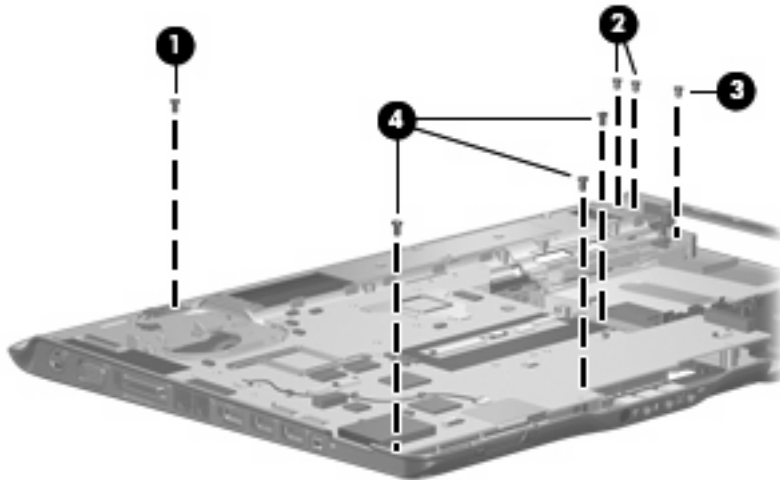
(2) One screw that secures the audio board to the computer



**Where used:**

(1) One screw that secures the front USB board to the base enclosure

(2) Four screws that secure the ExpressCard assembly to the system board



**Where used:**

(1) One screw that secures the display switch module to the fan/heat sink assembly

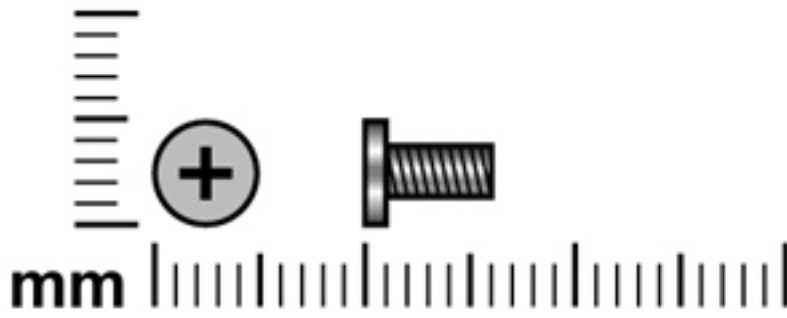
(2) Two screws that secure the power connector cable bracket to the base enclosure

(3) One screw that secures the rear USB board to the base enclosure

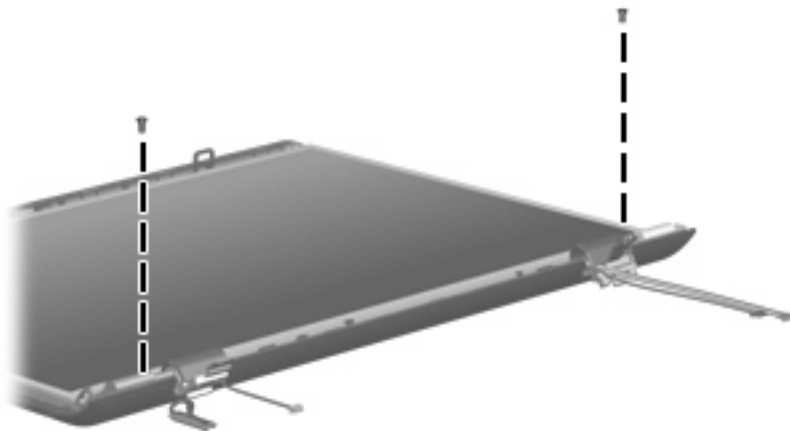
(4) 3 screws that secure the system board to the base enclosure



## Phillips PM2.5×6.0 screw

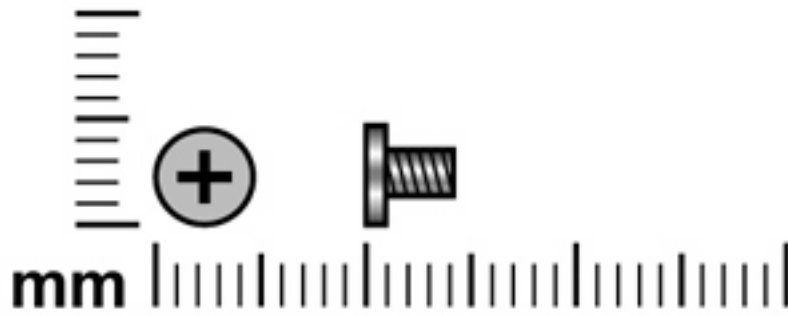


Color	Quantity	Length	Thread	Head width
Black	2	6.0 mm	2.5 mm	5.0 mm

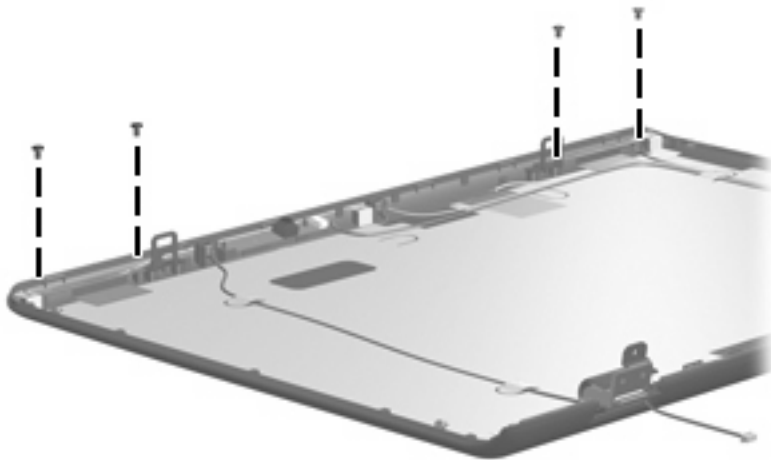


**Where used:** 2 screws that secure the display panel to the display assembly

## Phillips PM2.0×4.0 screw

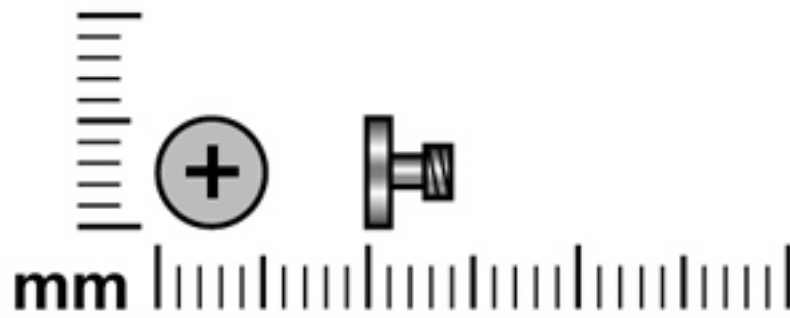


Color	Quantity	Length	Thread	Head width
Black	4	4.0 mm	2.0 mm	4.5 mm

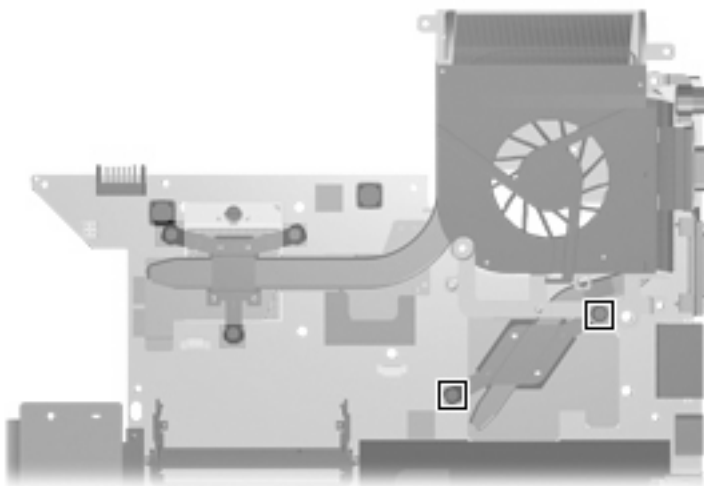


**Where used:** 4 screws that secure the wireless antenna transceivers to the display enclosure

## Phillips 2.5×4.0 captive screw



Color	Quantity	Length	Thread	Head width
Silver	2	4.0 mm	2.5 mm	5.0 mm



**Where used:** 2 captive screws that secure the heat sink to the system board

---

# 8 Backup and recovery

## Recovering system information


Tools provided by the operating system and Recovery Manager software are designed to help you with the following tasks for safeguarding your information and restoring it in case of a system failure:

- Backing up your information regularly to protect your important system files.
- Making a set of recovery discs (Recovery Manager software feature). Recovery discs are used to start up (boot) your computer and restore the operating system and software programs to factory settings in case of system failure or instability.
- Creating system restore points (operating system feature). System restore points allow you to reverse undesirable changes to your computer by restoring the computer to an earlier state.
- Recovering a program or driver (Recovery Manager software feature). This feature helps you reinstall a program or driver without performing a full system recovery.
- Performing a full system recovery (Recovery Manager software feature). With Recovery Manager, you can recover your full factory image if you experience system failure or instability. Recovery Manager works from a dedicated recovery partition on the hard drive or from recovery discs you create.

## Creating recovery discs

After setting up the computer for the first time, be sure to create a set of recovery discs of the full factory image. The recovery discs are used to start up (boot) the computer and recover the operating system and software to factory settings in case of system instability or failure.

---


 **NOTE:** Handle these discs carefully and keep them in a safe place. The software allows the creation of only one set of recovery discs.

---

Note the following guidelines before creating recovery discs:

- Use any of the following types of discs: CD-R, DVD+R, DVD+R DL, DVD-R or DVD-R DL (purchased separately). The discs you use will depend on the type of optical drive installed in your computer. Because DVDs store more information than CDs, DVDs and DVDs with double-layer (DL) support reduce the number of discs required.

---

 **NOTE:** Read-write discs, such as CD-RW, DVD+RW, and DVD-RW, are not compatible with the Recovery Manager software.

---

- The computer must be connected to AC power during this process.
- Only one set of recovery discs can be created per computer.

- Number each disc before inserting it into the computer optical drive.
- If necessary, you can exit the program before you have finished creating the recovery discs. The next time you open Recovery Manager, you will be prompted to continue the disc creation process.


To create a set of recovery discs:

1. Select **Start > All Programs > Recovery Manager > Recovery Manager**.

Recovery Manager opens.

2. Click **Advanced Options**.

---

 **NOTE:** If you are operating the computer on battery power, you will be prompted to connect to AC power before you can go to the next step.

---

3. Click **Recovery disc creation**, and then click **Next**.
4. Follow the on-screen instructions.

## Backing up your information

### When to back up

- On a regularly scheduled basis

---

 **NOTE:** Set reminders to back up your information periodically.

---

- Before the computer is repaired or restored
- Before you add or modify hardware or software

### Backup suggestions


- Create a set of recovery discs using Recovery Manager.
- Create system restore points using the Windows® System Restore feature, and periodically copy them to disc.
- Store personal files in the Documents folder and back up these folders periodically.
- Back up templates stored in their associated programs.
- Save customized settings in a window, toolbar, or menu bar by taking a screen shot of your settings. The screen shot can be a time saver if you have to reset your preferences.

To copy the screen and paste it into a word-processing document, follow these steps:

- a. Display the screen.
- b. Copy the screen:
  - To copy only the active window, press **alt+fn+prt sc**.
  - To copy the entire screen, press **fn+prt sc**.
- c. Open a word-processing document, and then select **Edit > Paste**.

## Using system restore points

When you back up your system, you are creating a system restore point. A system restore point allows you to save and name a snapshot of your hard drive at a specific point in time. You can then recover back to that point if you want to reverse subsequent changes made to your system.


 **NOTE:** Recovering to an earlier restore point does not affect data files saved or e-mails created since the last restore point.

---

You also can create additional restore points to provide increased protection for your system files and settings.

### When to create restore points

- Before you add or extensively modify software or hardware
- Periodically, whenever the system is performing optimally

 **NOTE:** If you revert to a restore point and then change your mind, you can reverse the restoration.

---

### Create a system restore point

1. Select **Start > Control Panel > System and Maintenance > System**.
2. In the left pane, click **System protection**.
3. Click the **System Protection** tab.
4. Under **Automatic restore points**, select the disk for which you want to create a restore point.
5. Click **Create**.

The System Protection window opens.

6. Follow the on-screen instructions.

### Restore to a previous date and time


To revert to a restore point (created at a previous date and time), when the computer was functioning optimally, follow these steps:

1. Select **Start > Control Panel > System and Maintenance > System**.
2. In the left pane, click **System protection**.
3. Click the **System Protection** tab.
4. Click the **System Restore** button, and then click **Next**.


The System Restore window opens.

5. Follow the on-screen instructions.

## Performing a recovery

 **NOTE:** You can only recover files that you have previously backed up. HP recommends that you use Recovery Manager to create an entire drive backup as soon as you set up your computer.

Recovery Manager software allows you to repair or restore the system if you experience system failure or instability. Recovery Manager works from recovery discs that you create or from a dedicated recovery partition on the hard drive.

 **NOTE:** Windows has its own built-in repair features, such as System Restore and driver roll-back capabilities. If you have not already tried these features, try them before using Recovery Manager.

**NOTE:** Recovery Manager recovers only software that was preinstalled at the factory. Software not provided with this computer must be downloaded from the manufacturer's Web site or reinstalled from the disc provided by the manufacturer.

### Recovering from the recovery discs

To restore the system from the recovery discs:

1. Back up all personal files.
2. Insert the first recovery disc into the optical drive and restart the computer.
3. Follow the on-screen instructions.

### Recovering from the partition on the hard drive

You can perform a recovery from the partition on the hard drive from either the Start button or [f11](#).

To restore the system from the partition, follow these steps:

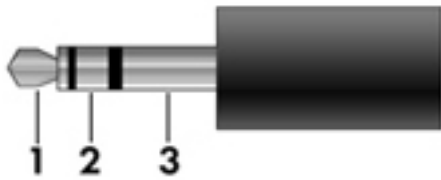
1. Access Recovery Manager in either of the following ways:
  - Select **Start > All Programs > Recovery Manager > Recovery Manager**.
  - or–
  - Restart the computer and press [f11](#) while the “Press <F11> for recovery” message is displayed on the screen. Then select **Recovery Manager**.

Recovery Manager opens.

2. Click **Advanced Options**.
3. Click **System recovery**, and then click **Next**.
4. Follow the on-screen instructions.

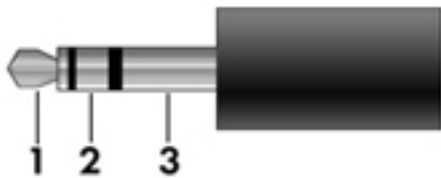
## 9 Connector pin assignments

### Audio-out (headphone)



Pin	Signal
1	Audio out, left channel
2	Audio out, right channel
3	Ground

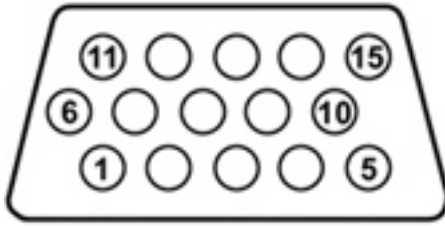
### Audio-in (microphone)



Pin	Signal
1	Audio signal in
2	Audio signal in
3	Ground

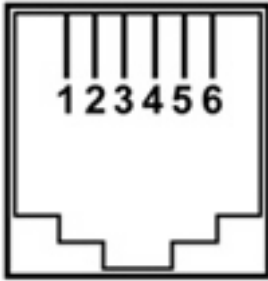


## External monitor



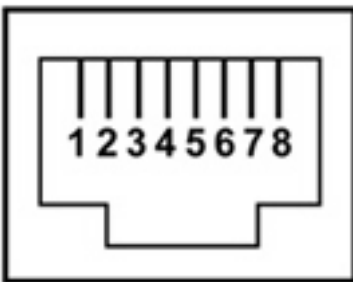
Pin	Signal
1	Red analog
2	Green analog
3	Blue analog
4	Not connected
5	Ground
6	Ground analog
7	Ground analog
8	Ground analog
9	+5 VDC
10	Ground
11	Monitor detect
12	DDC 2B data
13	Horizontal sync
14	Vertical sync
15	DDC 2B clock

## RJ-11 (modem)



Pin	Signal
1	Unused
2	Tip
3	Ring
4	Unused
5	Unused
6	Unused

## RJ-45 (network)



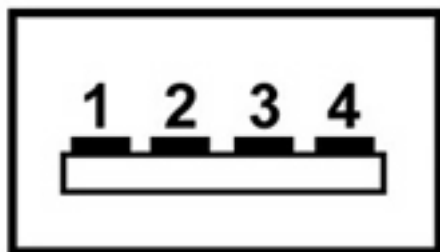
Pin	Signal
1	Transmit +
2	Transmit -
3	Receive +
4	Unused
5	Unused
6	Receive -
7	Unused
8	Unused

## S-Video-out



Pin	Signal
1	S-VHS color (C) signal
2	Composite video signal
3	S-VHS intensity (Y) signal
4	S-VHS color ground
5	TV-CD
6	S-VHS intensity ground
7	Composite video ground

## Universal Serial Bus



Pin	Signal
1	+5 VDC
2	Data -
3	Data +
4	Ground

---

# 10 Power cord set requirements

The wide range input feature of the computer permits it to operate from any line voltage from 100 to 120 volts AC or from 220 to 240 volts AC.

The 3-conductor power cord set included with the computer meets the requirements for use in the country or region where the equipment is purchased.

Power cord sets for use in other countries or regions must meet the requirements of the country or region where the computer is used.

## Requirements for all countries or regions

The requirements listed below are applicable to all countries or regions:

- The length of the power cord set must be at least 1.5 m (5.0 ft) and no more than 2.0 m (6.5 ft).
- All power cord sets must be approved by an acceptable accredited agency responsible for evaluation in the country or region where the power cord set will be used.
- The power cord sets must have a minimum current capacity of 10 amps and a nominal voltage rating of 125 or 250 V AC, as required by each country or region's power system.
- The appliance coupler must meet the mechanical configuration of an EN 60 320/IEC 320 Standard Sheet C13 connector for mating with the appliance inlet on the back of the computer.

## Requirements for specific countries or regions

Country or region	Accredited agency	Applicable note number
Australia	EANSW	1
Austria	OVE	1
Belgium	CEBC	1
Canada	CSA	2
Denmark	DEMKO	1
Finland	FIMKO	1
France	UTE	1
Germany	VDE	1
Italy	IMQ	1
Japan	METI	3
South Korea	EK	4
The Netherlands	KEMA	1
Norway	NEMKO	1
The People's Republic of China	CCC	5
Sweden	SEMKO	1
Switzerland	SEV	1
Taiwan	BSMI	4
The United Kingdom	BSI	1
The United States	UL	2

1. The flexible cord must be Type HO5VV-F, 3-conductor, 1.0-mm<sup>2</sup> conductor size. Power cord set fittings (appliance coupler and wall plug) must bear the certification mark of the agency responsible for evaluation in the country or region where it will be used.
2. The flexible cord must be Type SPT-3 or equivalent, No. 18 AWG, 3-conductor. The wall plug must be a two-pole grounding type with a NEMA 5-15P (15 A, 125 V) or NEMA 6-15P (15 A, 250 V) configuration.
3. The appliance coupler, flexible cord, and wall plug must bear a "T" mark and registration number in accordance with the Japanese Dentori Law. The flexible cord must be Type VCT or VCTF, 3-conductor, 1.00-mm<sup>2</sup> conductor size. The wall plug must be a two-pole grounding type with a Japanese Industrial Standard C8303 (7 A, 125 V) configuration.
4. The flexible cord must be Type RVV, 3-conductor, 0.75-mm<sup>2</sup> conductor size. Power cord set fittings (appliance coupler and wall plug) must bear the certification mark of the agency responsible for evaluation in the country or region where it will be used.
5. The flexible cord must be Type VCTF, 3-conductor, 0.75-mm<sup>2</sup> conductor size. Power cord set fittings (appliance coupler and wall plug) must bear the certification mark of the agency responsible for evaluation in the country or region where it will be used.

---

# 11 Recycling

## Battery

When a battery has reached the end of its useful life, do not dispose of the battery in general household waste. Follow the local laws and regulations in your area for computer battery disposal.

## Display

- ⚠ **WARNING!** The backlight contains mercury. Caution must be exercised when removing and handling the backlight to avoid damaging this component and causing exposure to the mercury.
- ⚠ **CAUTION:** The procedures in this appendix can result in damage to display components. The only components intended for recycling purposes are the liquid crystal display (LCD) panel and the backlight. Careful handling must be exercised when removing these components.
- 📄 **NOTE: Materials Disposal.** This HP product contains mercury in the backlight in the display assembly that might require special handling at end-of-life. Disposal of mercury may be regulated because of environmental considerations. For disposal or recycling information, contact your local authorities, or see the Electronic Industries Alliance (EIA) Web site at <http://www.eiae.org>.

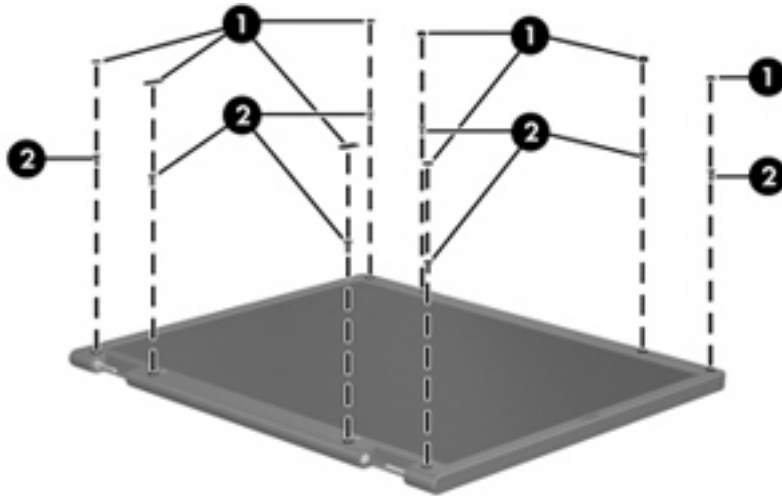
This section provides disassembly instructions for the display assembly. The display assembly must be disassembled to gain access to the backlight **(1)** and the liquid crystal display (LCD) panel **(2)**.



- 📄 **NOTE:** The procedures provided in this appendix are general disassembly instructions. Specific details, such as screw sizes, quantities, and locations, and component shapes and sizes, can vary from one computer model to another.

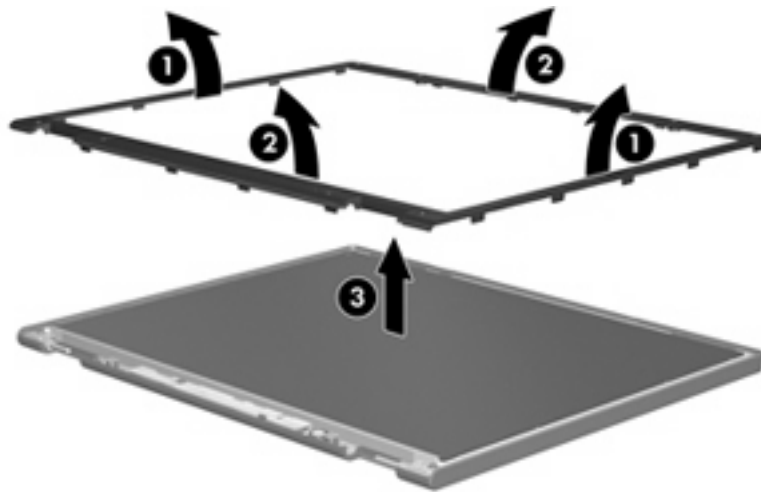
Perform the following steps to disassemble the display assembly:

1. Remove all screw covers (1) and screws (2) that secure the display bezel to the display assembly.

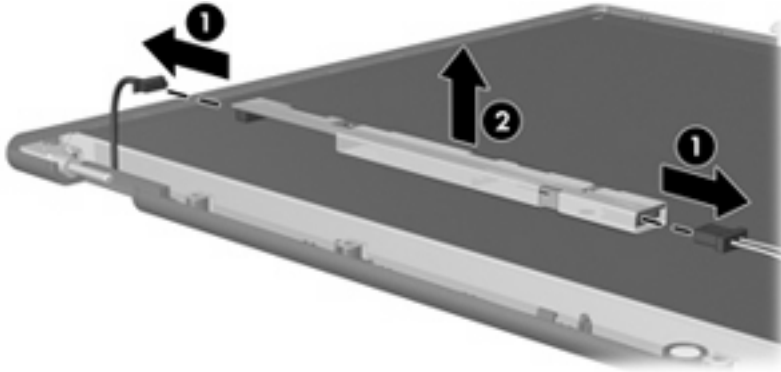


2. Lift up and out on the left and right inside edges (1) and the top and bottom inside edges (2) of the display bezel until the bezel disengages from the display assembly.

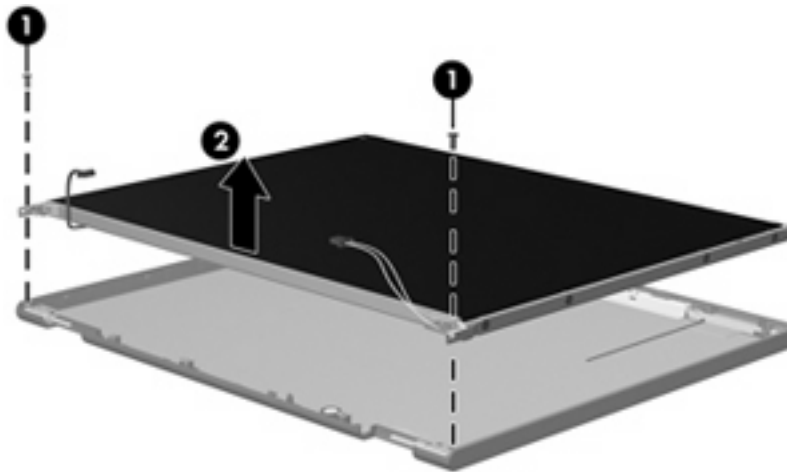
3. Remove the display bezel (3).



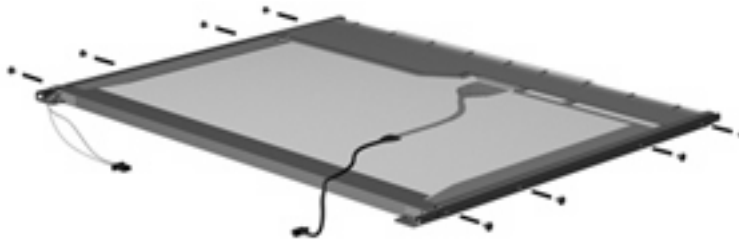
4. Disconnect all display panel cables (1) from the display inverter and remove the inverter (2).



5. Remove all screws (1) that secure the display panel assembly to the display enclosure.
6. Remove the display panel assembly (2) from the display enclosure.



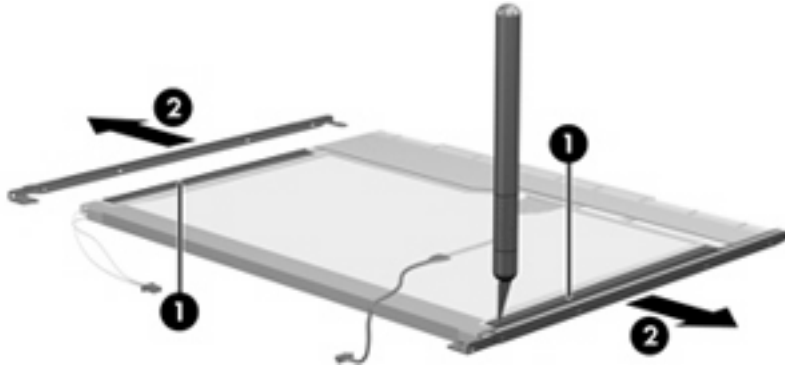
7. Turn the display panel assembly upside down.
8. Remove all screws that secure the display panel frame to the display panel.



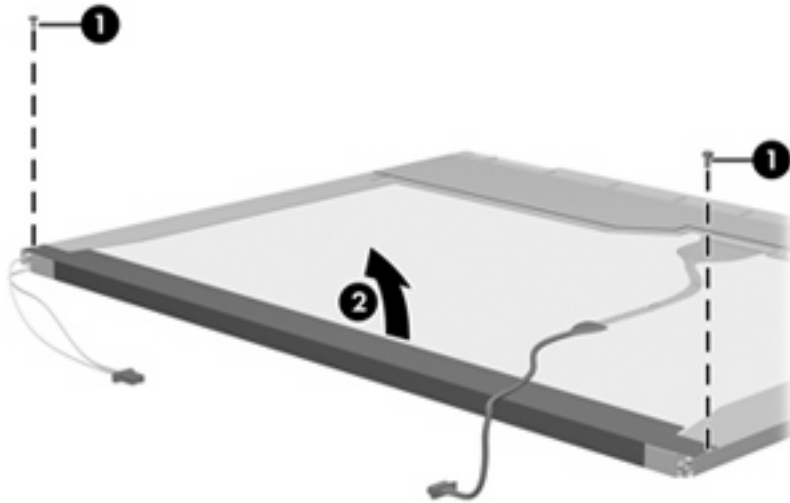
9. Use a sharp-edged tool to cut the tape (1) that secures the sides of the display panel to the display panel frame.



10. Remove the display panel frame (2) from the display panel.

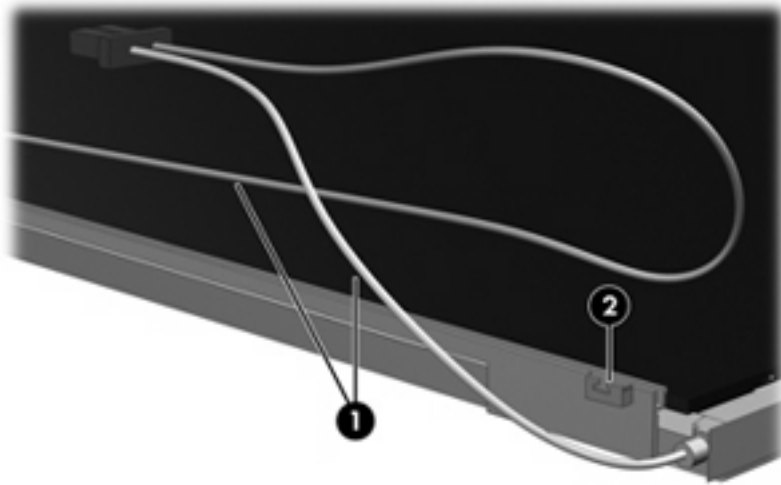


11. Remove the screws (1) that secure the backlight cover to the display panel.
12. Lift the top edge of the backlight cover (2) and swing it outward.

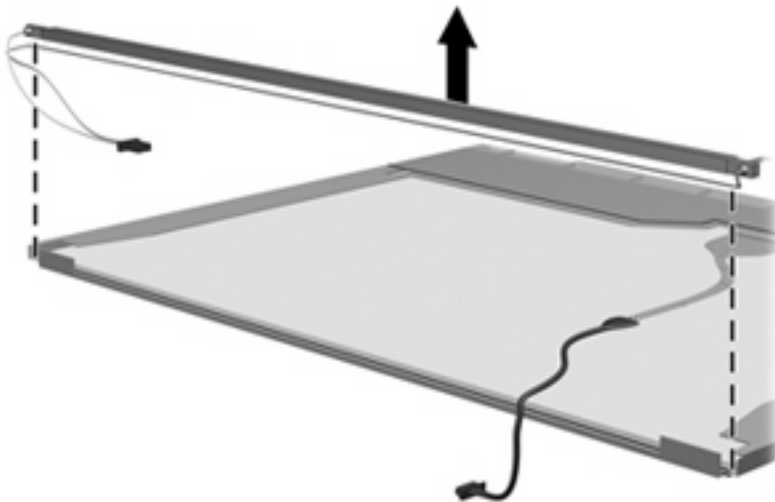


13. Remove the backlight cover.
14. Turn the display panel right-side up.

15. Remove the backlight cables (1) from the clip (2) in the display panel.

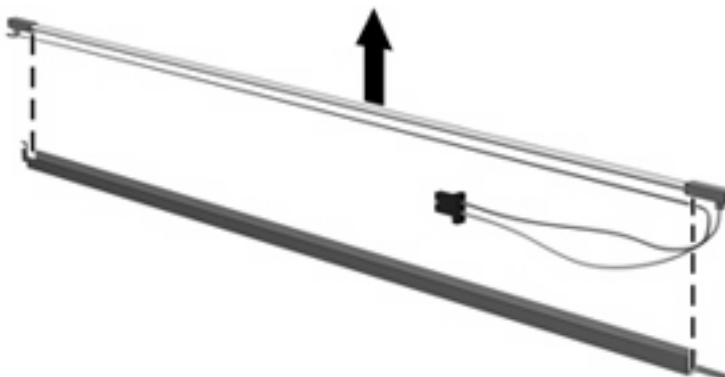


16. Turn the display panel upside down.
17. Remove the backlight frame from the display panel.

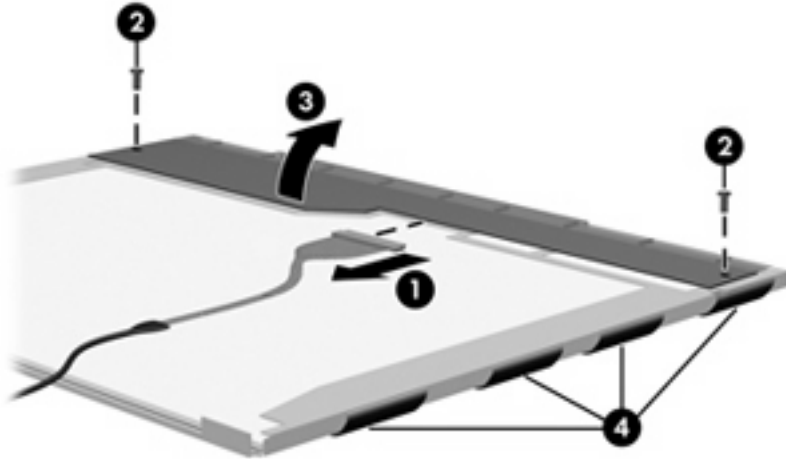


**⚠ WARNING!** The backlight contains mercury. Exercise caution when removing and handling the backlight to avoid damaging this component and causing exposure to the mercury.

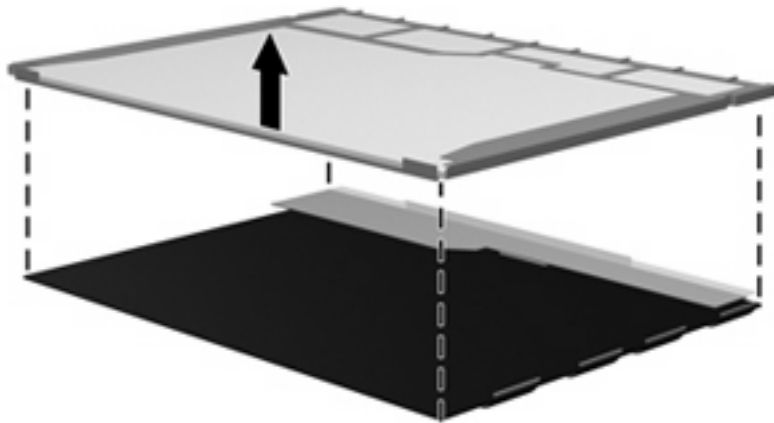
18. Remove the backlight from the backlight frame.



19. Disconnect the display cable (1) from the LCD panel.
20. Remove the screws (2) that secure the LCD panel to the display rear panel.
21. Release the LCD panel (3) from the display rear panel.
22. Release the tape (4) that secures the LCD panel to the display rear panel.



23. Remove the LCD panel.



24. Recycle the LCD panel and backlight.

---

# Index

## Symbols/Numerics

1394 port, location 16

## A

AC adapter, spare part numbers 31, 38  
administrator password 109  
advanced Setup Utility features 108  
antenna  
    removal 73  
    spare part numbers 26, 37, 73  
applications key, Windows 12  
arrow keys 12  
audio board  
    removal 97  
    spare part number 21, 37, 97  
audio, product description 6  
audio-in jack  
    location 14  
    pin assignments 150  
audio-out jack  
    location 14  
    pin assignments 150  
audio-out S/PDIF jack, location 14

## B

backpack, spare part number 31, 33  
backup 147  
base enclosure, spare part numbers 22, 37, 39  
battery  
    removal 45  
    spare part numbers 23, 34, 36, 38, 45  
battery bay 17

battery light 14  
battery release latch 17  
bezel  
    removal 71  
    spare part numbers 72  
Blu-ray Disc ROM Drive  
    precautions 41  
    removal 59  
    spare part number 25, 30, 39, 59  
    specifications 116  
Bluetooth module  
    removal 82  
    spare part number 21, 33, 82  
Bluetooth module cable, illustrated 29  
boot options 109  
boot order 109  
bottom components 17  
button sound 109  
buttons  
    DVD 11  
    media 11  
    next/fast forward 11  
    play/pause 11  
    power 10  
    previous/rewind 11  
    QuickPlay 11  
    stop 11  
    volume mute 10

## C

Cable Kit  
    contents 29  
    spare part number 25, 29, 37  
cables, service considerations 41  
camera 9

camera cable  
    removal 74  
    spare part number 74  
camera module  
    illustrated 20  
    removal 48, 49  
    spare part number 26, 36, 48  
camera, product description 6  
caps lock key 12  
caps lock light 10  
carrying case, spare part number 31  
changing the Setup Utility language 106  
chipset, product description 2  
closing the Setup Utility 108  
CMOS clearing 45  
components  
    bottom 17  
    display 9  
    front 14  
    keyboard 12  
    left-side 15  
    QuickPlay buttons 11  
    right-side 15  
    top 9  
    TouchPad 13  
composite video cable, spare part number 31, 33  
computer feet  
    locations 54  
    spare part number 23, 37, 54  
computer specifications 110  
connectors, service considerations 41

## D

Diagnostics menu 109

- Digital Media Slot 16
- Digital Media Slot light 16
- diskette drive
  - precautions 41
  - product description 6
- display assembly
  - removal 48
  - spare part numbers 19, 36, 48
- display bezel
  - illustrated 20
  - release 48, 50
  - removal 71
  - spare part numbers 26, 36, 72
- Display Cable Kit, spare part number 27, 33
- display components
  - illustrated 20
  - recycling 156
- display enclosure
  - illustrated 20
  - spare part numbers 27, 36, 37
- display hinge
  - removal 72
  - spare part number 26, 73
- Display Hinge Kit, spare part number 26, 33
- display inverter
  - illustrated 20
  - removal 50, 51
  - spare part numbers 26, 33, 50
- display lid latch 14
- display panel
  - illustrated 20
  - product description 4
  - removal 72
  - spare part numbers 26, 36, 72
- Display Screw Kit, spare part number 27, 33
- display specifications 111, 112
- display switch module
  - removal 89
  - spare part number 21, 34, 37, 89
- displaying system information 106
- docking support, product description 7
- drive light 14
- drives
  - preventing damage 41
- drives, boot order 109
- DVB-T antenna adapter, spare part number 31, 33
- DVB-T tuner, spare part number 31, 33
- DVD button 11
- DVD±RW and CD-RW Combo Drive
  - precautions 41
  - removal 59
  - spare part numbers 25, 30, 36, 59
  - specifications 114
- DVD±RW and CD-RW Combo Drive with LightScribe
  - spare part numbers 30, 59

**E**

- electrostatic discharge 42
- Ethernet, product description 6
- expansion port 3 15
- ExpressCard assembly
  - removal 85
  - spare part number 22, 33, 85
- ExpressCard Kit, spare part number 31, 35
- ExpressCard slot 15
- ExpressCard slot bezel
  - illustrated 28
  - removal 86
- external media cards, product description 7
- external monitor port
  - location 15
  - pin assignments 151

**F**

- fan/heat sink assembly
  - removal 96
  - spare part number 37, 38
  - spare part numbers 22, 38, 96
- feet
  - locations 54
  - spare part number 23, 37, 54
- fingerprint reader 105
- fingerprint reader board
  - spare part numbers 36, 38
- fingerprint reader board cable, illustrated 29
- fingerprint reader board, spare part number 21, 75
- fn key 12
- front components 14
- front USB board
  - removal 84
  - spare part number 21, 37, 84
- front USB board cable, illustrated 29
- function keys 12

**G**

- graphics, product description 2
- grounding equipment and methods 44

**H**

- hard drive
  - precautions 41
  - product description 4
  - removal 52
  - spare part numbers 23, 30, 34, 35, 37, 38, 52
  - specifications 113
- hard drive bays 17
- hard drive cover
  - illustrated 28
  - removal 52
- Hard Drive Hardware Kit, spare part number 23, 37
- hard drive self test 109
- HD-ROM Combo Drive
  - precautions 41
  - removal 59
  - spare part number 25, 30, 36, 59
  - specifications 115
- HDMI port, location 16

headphone jack  
location 14  
pin assignments 150  
headset, spare part number 31, 32  
hinge  
removal 72  
spare part number 33, 73  
hinge cover  
removal 73  
spare part number 27, 33, 73  
hinges  
spare part numbers 26

**I**  
I/O address specifications 122  
infrared emitter, spare part number 31, 34  
infrared lens 14  
interrupt specifications 119  
inverter  
illustrated 20  
removal 50, 51  
spare part numbers 26, 33, 50

**J**  
jacks  
audio-in 14  
audio-out 14  
audio-out S/PDIF 14  
headphone 14  
microphone 14  
modem 15  
network 15  
RJ-11 15  
RJ-45 15  
S-Video-out jack 15

**K**  
keyboard  
components 12  
product description 8  
removal 63  
spare part numbers 20, 35, 63  
keypad keys 12  
keys  
arrow 12  
caps lock key 12

embedded numeric keypad 12  
fn 12  
function 12  
num lock 12  
Windows applications 12  
Windows logo 12

**L**  
language support 109  
left-side components 15  
lights  
battery 14  
caps lock 10  
drive 14  
num lock 9  
power 14  
wireless 14

**M**  
Main menu 108  
mass storage devices, spare part numbers 30  
media button 11  
memory map specifications 126  
memory module  
product description 4  
removal 54  
spare part numbers 25, 35, 36, 54  
memory/WLAN module compartment 17  
memory/WLAN module compartment cover  
illustrated 28  
removal 55  
microphone  
location 9  
removal 73  
spare part number 27, 33, 74  
microphone jack  
location 14  
pin assignments 150  
model name 1  
modem jack  
location 15  
pin assignments 152  
modem, product description 6

monitor port  
location 15  
pin assignments 151  
mouse, spare part numbers 31, 33, 34

**N**  
navigating in the Setup Utility 106  
network jack  
location 15  
pin assignments 152  
next/fast forward button 11  
num lock key 12  
num lock light 9

**O**  
operating system, product description 8  
optical drive  
location 15, 17  
precautions 41  
product description 5  
removal 59  
spare part numbers 25, 30, 59  
specifications 114, 115, 116  
optical drive connector board  
removal 94  
spare part number 22, 33, 94

**P**  
packing guidelines 43  
password clearing 45  
passwords 109  
pin assignments  
audio-in 150  
audio-out 150  
external monitor 151  
headphone 150  
microphone 150  
modem 152  
monitor 151  
network 152  
RJ-11 152  
RJ-45 152  
S-Video-out 153  
Universal Serial Bus (USB) 153  
plastic parts 40

- Plastics Kit, spare part
  - number 21, 33
- play/pause button 11
- pointing device
  - components 13
  - product description 8
- ports
  - 1394 16
  - external monitor port 15
  - HDMI 16
  - monitor port 15
  - product description 7
  - Universal Serial Bus (USB) 15, 16
- power button 10
- power button board
  - removal 67
  - spare part number 20, 33, 67
- power connector 15
- power connector bracket
  - removal 91
  - spare part number 22, 33, 91
- power cord set requirements 154
- power cord, spare part
  - numbers 31, 32
- power light 14
- power requirements, product description 8
- power-on password 109
- previous/rewind button 11
- processor
  - product description 1
  - removal 96
  - spare part numbers 22, 35, 36, 37, 38, 96, 103
- processor bracket, spare part
  - numbers 21, 37, 92
- product description
  - audio 6
  - camera 6
  - chipset 2
  - diskette drive 6
  - display panel 4
  - docking support 7
  - Ethernet 6
  - external media cards 7
  - graphics 2
  - hard drives 4
  - keyboard 8
  - memory module 4
  - modem 6
  - operating system 8
  - optical drives 5
  - pointing device 8
  - ports 7
  - power requirements 8
  - processors 1
  - product name 1
  - security 8
  - serviceability 8
  - wireless 6
- product name 1

**Q**

- QuickPlay buttons 11

**R**

- rear USB board
  - removal 90
  - spare part number 22, 37, 90
- rear USB board cable, illustrated 29
- recovery discs 146
- recovery, system 146, 149
- remote control
  - spare part numbers 34
- remote control, spare part
  - numbers 31, 34
- removal/replacement
  - preliminaries 40
  - procedures 46
- restore points 148
- restoring default settings 107
- RF input adapter cable, spare part
  - number 31, 33
- right-side components 15
- RJ-11 jack
  - location 15
  - pin assignments 152
- RJ-45 jack
  - location 15
  - pin assignments 152
- RTC battery
  - removal 45
  - spare part number 23, 37, 45
- Rubber Feet Kit, spare part
  - number 23, 37, 54

**S**

- S-Video-out jack
  - location 15
  - pin assignments 153
- Screw Kit
  - contents 129
  - spare part number 32, 33
- screw listing 129
- secondary hard drive self
  - test 109
- security cable slot 15
- Security menu 109
- security, product description 8
- selecting in the Setup Utility 106
- serial number 18, 46
- service considerations 40
- serviceability, product description 8
- Setup Utility
  - changing the language 106
  - closing 108
  - Diagnostics menu 109
  - displaying system information 106
  - Main menu 108
  - navigating and selecting 106
  - overview 105
  - restoring default settings 107
  - Security menu 109
  - starting 105
  - System Configuration menu 109
  - using 106
  - using advanced features 108
- software
  - safeguarding information 146
- speaker assembly
  - removal 66
  - spare part number 20, 34, 66
- speakers 9
- specifications
  - Blu-ray Disc ROM Drive 116
  - computer 110
  - display 111, 112
  - DVD±RW and CD-RW Combo Drive 114

- hard drive 113
- HD-ROM Combo Drive 115
- I/O addresses 122
- interrupts 119
- memory map 126
- optical drive 114, 115, 116
- system DMA 117
- static-shielding materials 44
- stop button 11
- switch cover
  - removal 61
  - spare part number 20, 37, 61
- system board
  - removal 92
  - spare part numbers 21, 36, 37, 92
- System Configuration menu 109
- system DMA 117
- system information 108
- system memory map 126
- system recovery 146, 149
- system restore points 148

## T

- thermal material,
  - replacement 101, 102
- tools required 40
- top components 9
- top cover
  - removal 75
  - spare part numbers 21, 36, 38, 75
- top cover trim
  - removal 87
  - spare part number 21, 33, 87
- TouchPad components
  - left button 13
  - light 13
  - on/off button 13
  - right button 13
  - scroll zone 13
  - TouchPad 13
- transporting guidelines 43
- TV tuner antenna, spare part number 31, 34
- TV tuner, spare part number 31, 34

## U

- Universal Serial Bus (USB) port
  - locations 15, 16
  - pin assignments 153
- unknown password 45
- USB digital drive, spare part number 31

## V

- vents 17
- volume mute button 10
- volume scroll zone 10

## W

- Windows applications key 12
- Windows logo key 12
- wireless antenna
  - removal 73
  - spare part numbers 73
- wireless light 14
- wireless switch 14
- wireless switch board
  - removal 80
  - spare part number 21, 33, 80
- wireless, product description 6
- WLAN module
  - removal 57
  - spare part numbers 23, 33, 34, 38, 57
- workstation guidelines 43



