

Compaq Presario CQ32
Notebook PC
HP G32 Notebook PC

Maintenance and Service Guide

© Copyright 2010 Hewlett-Packard
Development Company, L.P.

Microsoft and Windows are U.S. registered trademarks of Microsoft Corporation. Bluetooth is a trademark owned by its proprietor and used by Hewlett-Packard Company under license. SD Logo is a trademark of its proprietor.

Bluetooth is a trademark owned by its proprietor and used by Hewlett-Packard Company under license. Intel and Core are trademarks or registered trademarks of Intel Corporation in the United States and other countries. Microsoft and Windows are either trademarks or registered trademarks of Microsoft Corporation in the United States and/or other countries. SD Logo is a trademark of its proprietor.

The information contained herein is subject to change without notice. The only warranties for HP products and services are set forth in the express warranty statements accompanying such products and services. Nothing herein should be construed as constituting an additional warranty. HP shall not be liable for technical or editorial errors or omissions contained herein.

First Edition: April 2010

Document Part Number: 610542-001 Rev.
A

MSG revision history

Revision	Publication date	Description
A	July 2010	<ul style="list-style-type: none">• Added HP branding and updated commodities in the following location: Product description on page 1• Added a newly supported Rubber feet kit to spare parts listings in the following locations: Computer major components on page 17, Sequential part number listing on page 28, and Computer feet on page 39• Added a newly supported WLAN module to spare parts listings in the following locations: Computer major components on page 17, Sequential part number listing on page 28, and WLAN module on page 45• Added a newly supported USB board to spare parts listings in the following locations: Computer major components on page 17, Sequential part number listing on page 28, and USB board on page 60• Added a newly supported power connector cable to spare parts listings in the following locations: Computer major components on page 17, Sequential part number listing on page 28, and Power connector cable on page 66• Added a newly supported system board to spare parts listings in the following locations: Computer major components on page 17, Sequential part number listing on page 28, and System board on page 78• Added newly supported processors to spare parts listings in the following locations: Computer major components on page 17, Sequential part number listing on page 28, and Processor on page 83

Safety warning notice

- ⚠ **WARNING!** To reduce the possibility of heat-related injuries or of overheating the computer, do not place the computer directly on your lap or obstruct the computer air vents. Use the computer only on a hard, flat surface. Do not allow another hard surface, such as an adjoining optional printer, or a soft surface, such as pillows or rugs or clothing, to block airflow. Also, do not allow the AC adapter to contact the skin or a soft surface, such as pillows or rugs or clothing, during operation. The computer and the AC adapter comply with the user-accessible surface temperature limits defined by the International Standard for Safety of Information Technology Equipment (IEC 60950).
-

Table of contents

1 Product description	1
2 External component identification	5
Identifying hardware	5
Top components	6
TouchPad	6
Lights	7
Button and speakers	8
Keys	9
Display	10
Front component	11
Right-side components	11
Left-side components	12
Rear component	13
Bottom components	13
Wireless antennas	14
Additional hardware components	15
3 Illustrated parts catalog	16
Serial number location	16
Computer major components	17
Display assembly components	24
Plastics Kit	25
Mass storage devices	26
Miscellaneous parts	27
Sequential part number listing	28
4 Removal and replacement procedures	33
Preliminary replacement requirements	33
Tools required	33
Service considerations	33
Plastic parts	33
Cables and connectors	34

Drive handling	34
Grounding guidelines	35
Electrostatic discharge damage	35
Packaging and transporting guidelines	36
Workstation guidelines	36
Equipment guidelines	37
Component replacement procedures	38
Serial number	38
Computer feet	39
Battery	40
Memory module	41
RTC battery	44
WLAN module	45
Hard drive	50
Optical drive	53
Top cover	54
Keyboard	58
USB board	60
Speaker assembly	62
Bluetooth module	64
Power connector cable	66
Optical drive connector	68
Power button board	70
Display assembly	72
System board	78
Fan/heat sink assembly	80
Processor	83
5 Setup Utility (BIOS)	85
Starting Setup Utility	85
Using Setup Utility	86
Changing the language of Setup Utility	86
Navigating and selecting in Setup Utility	86
Displaying system information	87
Restoring default settings in Setup Utility	87
Exiting Setup Utility	88
Setup Utility menus	88
Main menu	88
Security menu	88
System Configuration menu	89
Diagnostics menu	90

6 Specifications	91
Computer specifications	91
33.78-cm (13.3-in) display specifications	92
Hard drive specifications	93
DVD±RW SuperMulti DL Drive with LightScribe specifications	94
Blu-ray ROM with LightScribe DVD±R/RW SuperMulti DL Drive	95
System resource specifications	96
7 Backup and recovery	97
Creating recovery discs	98
Backing up your information	99
Using Windows Backup and Restore	100
Using system restore points	100
When to create restore points	100
Create a system restore point	100
Restore to a previous date and time	101
Performing a recovery	101
Recovering from the recovery discs	101
Recovering from the dedicated recovery partition (select models only)	102
8 Connector pin assignments	103
Audio-out (headphone)	103
Audio-in (microphone)	103
External monitor	104
RJ-45 (network)	105
Universal Serial Bus	105
HDMI	106
9 Power cord set requirements	107
Requirements for all countries or regions	107
Requirements for specific countries or regions	108
10 Recycling	109
Battery	109
Display	109
Index	115

1 Product description

Category	Description	Compaq Presario CQ32	HP G32
Product Name	Compaq Presario CQ32 Notebook PC	√	
	HP G32 Notebook PC		√
Processors	Intel® Core™ i5		
	580M, 2.66-GHz, SC turbo, 3-MB L3 cache	√	√
	560M, 2.66-GHz, SC turbo, 3-MB L3 cache	√	√
	540M, 2.53-GHz, SC turbo, 3-MB L3 cache	√	√
	520M, 2.40-GHz, SC turbo, 3-MB L3 cache	√	√
	460M, 2.53-GHz, SC turbo, 3-MB L3 cache	√	√
	450M 2.40-GHz, SC turbo, 3-MB L3 cache	√	√
	430M 2.26-GHz, SC turbo, 3-MB L3 cache	√	√
	Intel Core i3		
	380M, 2.53-GHz, 3-MB L3 cache	√	√
	370M, 2.40-GHz, 3-MB L3 cache	√	√
	350M, 2.26-GHz, 3-MB L3 cache	√	√
	Intel Pentium®		
	P6200, 2.13-GHz, 3-MB L3 cache	√	√
P6100, 2.0-GHz, 3-MB L3 cache	√	√	
P6000, 1.86-GHz, 3-MB L3 cache	√	√	
Chipset	Intel HM55 Express	√	√
Graphics	Discrete graphics	√	√
	ATI Mobility Radeon™ HD5470 with 1024-MB of dedicated video memory 128-MB×16 DDR3, 800-MHz)		
	Support for BD and/or HD-DVD playback with HD Decode, and DX11 Support	√	√

Category	Description	Compaq Presario CQ32	HP G32
Panel	33.78-cm (13.3-in) HD LED BrightView (1366 × 768 HD) (5.2 mm) SVA	√	√
	16:9 ultra wide aspect ratio	√	√
Memory	2 SODIMM slots	√	√
	Customer-accessible and upgradable	√	√
	Supports up to 8 GB of system memory	√	√
	DDR3, 1066-MHz, dual-channel memory (DDR3 1333 MHz downgraded to DDR3 1066 MHz)	√	√
	Supports the following configurations:		
	• 4 GB (2 GB×2)	√	√
	• 4 GB (4 GB×1)	√	√
	• 3 GB (1 GB×1 + 2 GB×1)	√	√
• 2 GB (1 GB×1)	√	√	
• 2 GB (1 GB×2)	√	√	
• 1 GB (1 GB×1)	√	√	
Hard drives	Supports the following 9.5-mm, 6.35-cm (2.5-in) SATA hard drives		
	• 500 GB, 7200 & 5400 rpm	√	√
	• 320 GB, 7200 & 5400 rpm	√	√
	• 250 GB, 7200 rpm	√	√
	• 160 GB, 7200 rpm	√	√
Optical drives	Supports the following 12.7-mm (0.50-in) tray load, fixed, SATA drive:		
	Blu-ray ROM with LightScribe DVD±R/RW SuperMulti DL Drive	√	√
	Blu-ray ROM DVD±R/RW SuperMulti DL Drive	√	√
	DVD±R/RW SuperMulti DL Drive with LightScribe	√	√
	DVD±R/RW SuperMulti DL Drive	√	√
Camera	Low cost VGA camera	√	√
	Fixed (no tilt), activity LED	√	√
	640 × 480 by 24 frames per second	√	√
Microphone	One microphone, digital	√	√
	Noise suppression, echo cancellation	√	√

Category	Description	Compaq Presario CQ32	HP G32
Audio	HD audio	√	√
	Supports Microsoft Premium requirements	√	√
	Two Altec Lansing speakers	√	√
Ethernet	Integrated 10/100 network interface card (NIC)	√	√
Wireless	Integrated wireless local area network (WLAN) options by way of wireless module:	√	√
	Intel Centrino Wireless-N 1000 b/g/n with 2 antennas	√	√
	Atheros 54g wireless 802.11 b/g/n with 2 antennas	√	√
	Broadcom 802.11b/g/n with 2 antennas	√	√
	Broadcom 802.11b/g/n 1x1 WiFi + 2070 Bluetooth combo half-minicard module with 2 antennas	√	√
	Realtek 802.11b/g/n with 2 antennas	√	√
	Realtek 802.11b/g/n 1x1 + Bluetooth with 2 antennas	√	√
External media card	5-in-1 Digital Media Slot; supports SD, MMC, MS, Mspro, xD	√	√
	Supports mini versions of SD, MMC, and MS Duo with adapter (adapter not included)	√	√
Ports	VGA (Dsub 15-pin) supporting 1600 x 1200 resolution at 75 Hz	√	√
	Disabled when connected to devices through expansion port 3	√	√
	Hot plug/unplug and auto detect for wide-aspect or standard-aspect video	√	√
	HDMI v1.3 supporting up to 1080p, 1920 x 1200 @ 60 Hz DVI mode	√	√
	USB 2.0 (3)	√	√
	RJ-45	√	√
	Audio-in (microphone)	√	√
	Audio-out (headphone)	√	√
	Smart-pin AC adapter plug	√	√
	Keyboard/pointing devices	33.78-cm (13.3-inch) black textured pocket keyboard	√
TouchPad supports two-way scroll with legend		√	√

Category	Description	Compaq Presario CQ32	HP G32
	Taps enabled by default	√	√
Power requirements	6-cell (55-Wh) 2.55-Ah Li-ion battery	√	√
	6-cell (47-Wh) 2.2-Ah Li-ion battery	√	√
	1 meter power cord	√	√
	65-W AC adapter with Smart-Pin DC connector	√	√
	90-W AC adapter with Smart-Pin DC connector	√	√
Security	Kensington Security Lock	√	√
Operating system	Preinstalled:		
	Windows 7 Home Basic (32 bit)	√	√
	FreeDOS	√	√
Serviceability	End-user replaceable parts:		
	AC adapter	√	√
	Battery (system)	√	√
	Hard drive	√	√
	Memory module	√	√
	Optical drive	√	√
	Mini-card device	√	√


2 External component identification

Identifying hardware

To see a list of hardware installed in the computer, follow these steps:

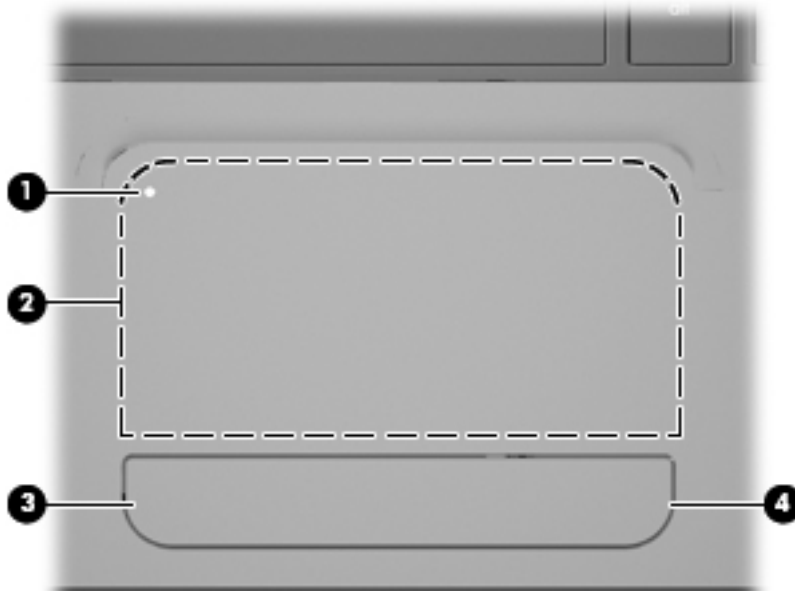
- ▲ Select **Start > Control Panel > System and Security**. Then, in the **System** area, click **Device Manager**.

You can also add hardware or modify device configurations using Device Manager.

 **NOTE:** Windows® includes the User Account Control feature to improve the security of your computer. You may be prompted for your permission or password for tasks such as installing software, running utilities, or changing Windows settings. Refer to Help and Support for more information.

Top components

TouchPad



Component	Description
(1) TouchPad on/off indicator	To turn the TouchPad on and off, quickly double-tap the TouchPad on/off indicator. NOTE: When the TouchPad is enabled, the light is off.
(2) TouchPad zone*	Moves the pointer and selects or activates items on the screen.
(3) Left TouchPad button*	Functions like the left button on an external mouse.
(4) Right TouchPad button*	Functions like the right button on an external mouse.

*This table describes factory settings. To view or change pointing device preferences, select **Start > Devices and Printers**. Then, right-click the icon representing your device, and select **Mouse settings**.

There is an unmarked scroll zone inside the right edge of the TouchPad. To scroll up and down using the TouchPad vertical scroll zone, slide your finger up or down inside the right edge of the TouchPad. For more information about TouchPad features, refer to "Using the TouchPad" section later in this guide.

Lights



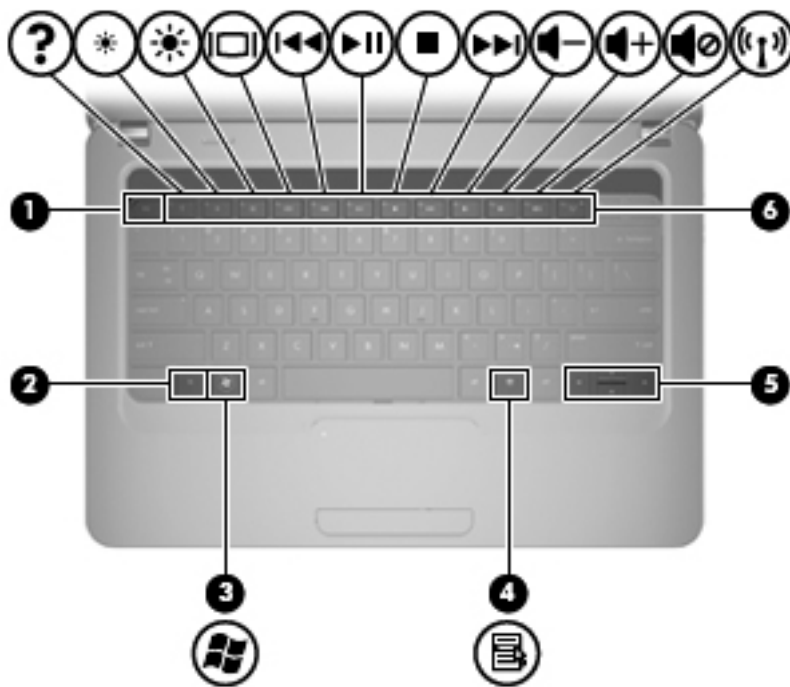
Component	Description
(1) TouchPad light	<ul style="list-style-type: none">• Amber: The TouchPad is disabled.• Off: The TouchPad is enabled.
(2) Caps lock light	On: Caps lock is on.
(3) Power light	<ul style="list-style-type: none">• On: The computer is on.• Blinking: The computer is in the Sleep state.• Off: The computer is off or in Hibernation.
(4) Wireless light	<ul style="list-style-type: none">• White: An integrated wireless device, such as a wireless local area network (WLAN) device and/or a Bluetooth® device, is on.• Amber: All wireless devices are off.

Button and speakers



Component	Description
(1) Speakers (2)	Produce sound.
(2) Power button	<ul style="list-style-type: none">• When the computer is off, press the button to turn on the computer.• When the computer is on, press the button briefly to initiate Sleep.• When the computer is in the Sleep state, briefly press the button to exit Sleep.• When the computer is in Hibernation, briefly press the button to exit Hibernation. <p>If the computer has stopped responding and Windows shutdown procedures are ineffective, press and hold the power button for at least 5 seconds to turn off the computer.</p> <p>To learn more about your power settings, select Start > Control Panel > System and Security > Power Options.</p>

Keys



Component	Description
(1) <code>esc</code> key	Displays system information when pressed in combination with the <code>fn</code> key.
(2) <code>fn</code> key	<ul style="list-style-type: none"> Displays system information when pressed in combination with the <code>esc</code> key. Press in combination with an Up, Down, Left, or Right arrow key to navigate a page or document.
(3) Windows logo key	Displays the Windows Start menu.
(4) Windows applications key	Displays a shortcut menu for items beneath the pointer.
(5) Navigation keys	Navigate using the Up, Down, Left, and Right arrow keys.
(6) Action keys	Execute frequently used system actions.

Display



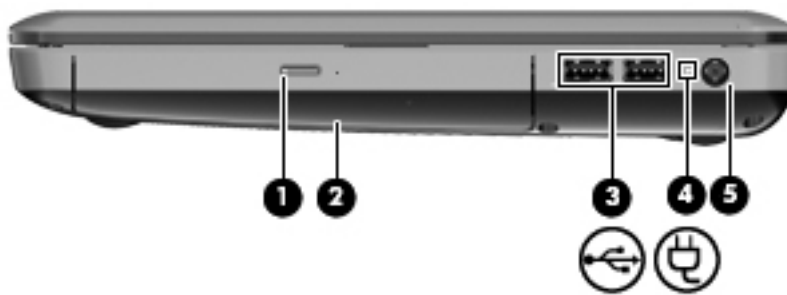
Component	Description
(1) Internal microphone	Records sound.
(2) Integrated webcam	Records video and captures still photographs.
(3) Integrated webcam light	On: The integrated webcam is in use.

Front component



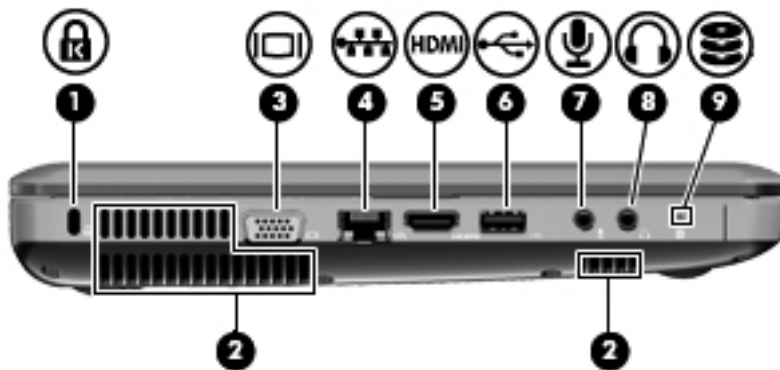
Component	Description
Digital Media Slot	Supports the following optional digital card formats: <ul style="list-style-type: none">• Memory Stick (MS)• Memory Stick Pro (MSP)• MultiMediaCard (MMC)• Secure Digital (SD) Memory Card• xD-Picture Card (XD)

Right-side components



Component	Description
(1) Optical drive light	Blinking: The optical drive is being accessed.
(2) Optical drive	Reads and writes to optical discs.
(3) USB ports (2)	Connect optional USB devices.
(4) AC adapter/battery charging light	<ul style="list-style-type: none">• White: The computer is connected to external power and the battery is fully charged.• Blinking white: The computer is in the Sleep state.• Amber: A battery is charging.• Off: The computer is not connected to external power.
(5) Power connector	Connects an AC adapter.

Left-side components



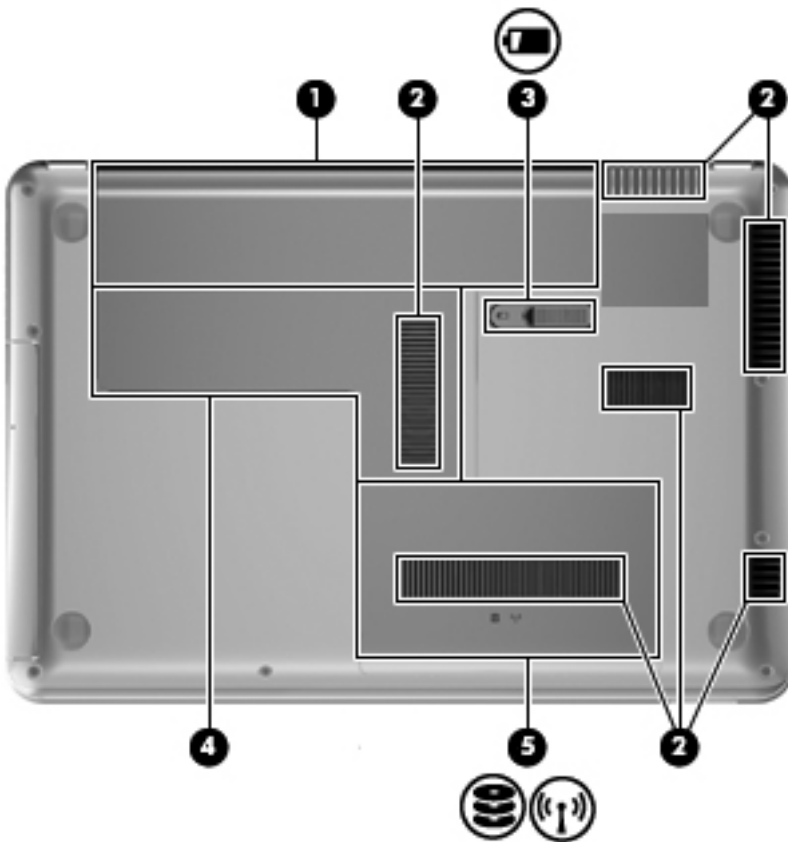
Component	Description
(1) Security cable slot	Attaches an optional security cable to the computer. NOTE: The security cable is designed to act as a deterrent, but it may not prevent the computer from being mishandled or stolen.
(2) Vent	Enables airflow to cool internal components. NOTE: The computer fan starts up automatically to cool internal components and prevent overheating. It is normal for the internal fan to cycle on and off during routine operation.
(3) External monitor port	Connects an external VGA monitor or projector.
(4) RJ-45 (network) jack	Connects a network cable.
(5) HDMI port	Connects an optional video or audio device, such as a high-definition television, or any compatible digital or audio component.
(6) USB port	Connects optional USB devices.
(7) Audio-in (microphone) jack	Connects an optional computer headset microphone, stereo array microphone, or monaural microphone.
(8) Audio-out (headphone) jack	Produces sound when connected to optional powered stereo speakers, headphones, earbuds, a headset, or television audio.
(9) Drive light	On: The hard drive or the optical drive is in use.

Rear component



Component	Description
Vent	Enables airflow to cool internal components. NOTE: The computer fan starts up automatically to cool internal components and prevent overheating. It is normal for the internal fan to cycle on and off during routine operation.

Bottom components




Component	Description
(1) Battery bay	Holds the battery.
(2) Vents (6)	Enable airflow to cool internal components. NOTE: The computer fan starts up automatically to cool internal components and prevent overheating. It is normal for the internal fan to cycle on and off during routine operation.

Component	Description
(3) Battery release latch	Releases the battery from the battery bay.
(4) Memory module compartment	Contains 2 memory module slots.
(5) Hard drive bay	Holds the hard drive and, on select models, the wireless LAN (WLAN) module. CAUTION: To prevent an unresponsive system, replace the wireless module only with a wireless module authorized for use in the computer by the governmental agency that regulates wireless devices in your country or region. If you replace the module and then receive a warning message, remove the module to restore computer functionality, and then contact technical support through Help and Support.

Wireless antennas

At least 2 antennas send and receive signals from one or more wireless devices. These antennas are not visible from the outside of the computer.



 **NOTE:** For optimal transmission, keep the areas immediately around the antennas free from obstructions.

To see wireless regulatory notices, refer to the section of the *Regulatory, Safety and Environmental Notices* that applies to your country or region. These notices are located in Help and Support.

Additional hardware components



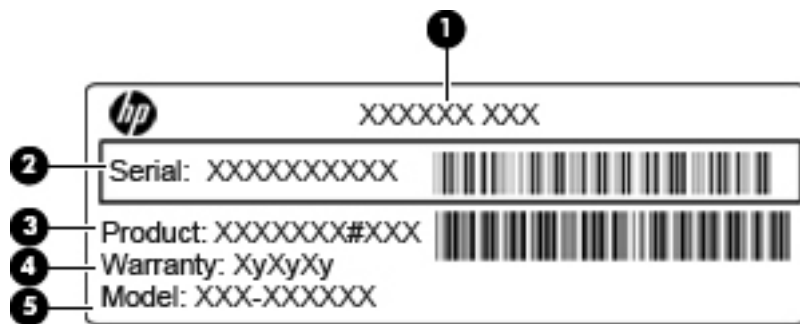
Component	Description
(1) Power cord*	Connects an AC adapter to an AC outlet.
(2) AC adapter	Converts AC power to DC power.
(3) Battery*	Powers the computer when the computer is not plugged into external power.

*Batteries and power cords vary in appearance by country or region.

3 Illustrated parts catalog

Serial number location

When ordering parts or requesting information, provide the computer serial number and model number located in the battery bay of the computer.



(1) Product name

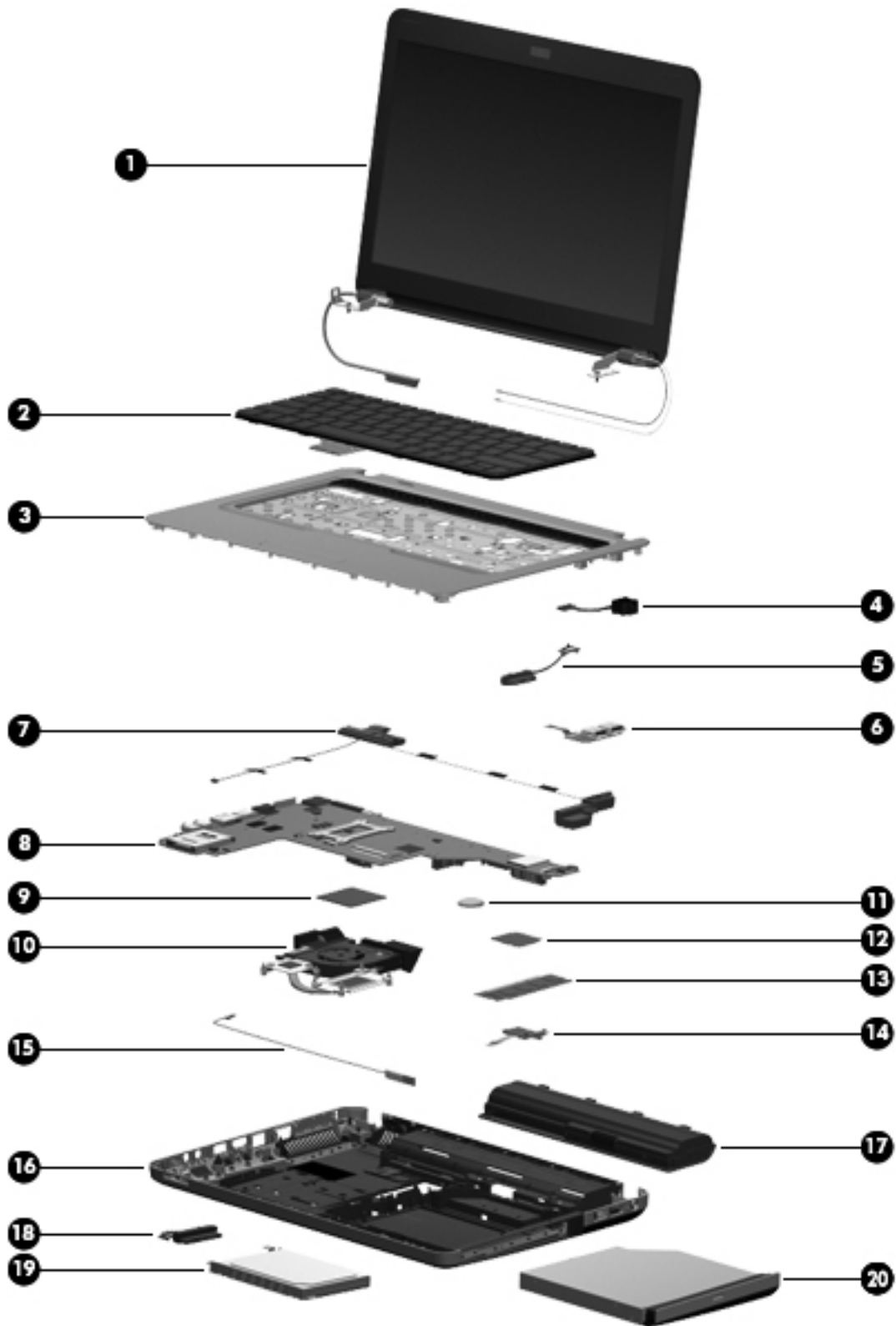
(4) Warranty period

(2) Serial number

(5) Model description (select models)

(3) Product number

Computer major components



Item	Description	Spare part number
(1)	Display assembly 33.78 cm (13.3-in) WXGA, HD, BrightView display assembly NOTE: See Display assembly components on page 24 for more display assembly internal component spare part information.	
	For use in Compaq Presario CQ32 computers	608017-001
	For use in HP G32 computers	628920-001
(2)	Keyboard (for use in the United States)	608018-001
(3)	Top cover (includes Touchpad)	608030-001
(4)	Power connector cable (includes bracket)	621884-001
(5)	Optical Drive Mounting Kit (includes SATA cable, cable bracket, optical drive bracket, and screws)	608274-001
(6)	USB board (includes cable)	603922-001
(7)	Speaker assembly (includes cable)	608027-001
(8)	System board (includes replacement thermal material; with 512-MB discrete graphics memory)	608029-001
	System board (includes replacement thermal material, with 1-GB discrete graphics memory)	615842-001
(9)	Processor (includes replacement thermal material)	
	Intel Core i5 processors, Dual Core	
	• 580M (2.66-GHz turbo, 3-MB L3 cache)	625825-001
	• 560M (2.66-GHz turbo, 3-MB L3 cache)	625824-001
	• 540M (2.53-GHz, 3-MB L3 cache)	594188-001
	• 520M (2.40-GHz, 3-MB L3 cache)	594187-001
	• 460M (2.53-GHz turbo, 3-MB L3 cache)	626039-001
	• 450M (2.40-GHz, 3-MB L3 cache)	613585-001
	• 430M (2.26-GHz, 3-MB L3 cache)	597624-001
	Intel Core i3 processors, Dual Core	
	• 380M (2.53-GHz, 3-MB L3 cache)	625823-001
	• 370M (2.40-GHz, 3-MB L3 cache)	613584-001
	• 350M (2.26-GHz, 3-MB L3 cache)	597623-001
	Intel Pentium	
	• P6200 (2.13-GHz, 3-MB L3 cache)	625831-001
	• P6100 (2.0-GHz, 3-MB L3 cache)	613587-001
	• P6000 (1.86-GHz, 3-MB L3 cache)	613586-001
(10)	Fan/heat sink assembly (includes replacement thermal material)	608010-001

Item	Description	Spare part number
(11)	RTC battery (includes mounting adhesive)	449137-001
(12)	WLAN modules	
	Atheros AR9285 802.11 a/b/g/n 2x2 WiFi adapter	580101-002
	For use in Afghanistan, Albania, Algeria, Andorra, Angola, Antigua and Barbuda, Argentinian, Armenia, Australia, Austria, Azerbaijan, Bahamas, Bahrain, Barbados, Belgium, Belize, Benin, Bhutan, Bosnia and Herzegovina, Botswana, Brazil, Brunei, Bulgaria, Burkina Faso, Burundi, Cambodia, Cameroon, Cape Verde, Central African Republic, Chad, Chile, People's Republic of China, Colombia, Comoros, Congo, Costa Rica, Croatia, Cyprus, Czech Republic, Zaire, Denmark, Djibouti, Dominica, Dominican Republic, Ecuador, Egypt, El Salvador, Equatorial Guinea, Eritrea, Estonia, Ethiopia, Fiji, Finland, France, Gabon, Gambia, Georgia, Germany, Ghana, Gibraltar, Greece, Grenada, Guatemala, Guinea, Guinea-Bissau, Guyana, Haiti, Honduras, Hong Kong, Hungary, Iceland, India, Indonesia, Ireland, Italy, Ivory Coast, Jamaica, Japan, Jordan, Kazakhstan, Kenya, Kiribati, Korea-South, Kuwait, Kyrgyzstan, Laos, Latvia, Lebanon, Lesotho, Liberia, Martinique, Nether Antilles, French Guiana, Aruba, British Virgin Islands, Bermuda, Syria, Guadeloupe, Liechtenstein, Lithuania, Luxembourg, Macedonia, Madagaascar, Malawi, Malaysia, Maldives, Mali, Malta, Marshall Islands, Mauritania, Mauritius, Mexico, Micronesia, Monaco, Mongolia, Montenegro, Morocco, Mozambique, Namibia, Nauru, Nepal, Netherlands, New Zealand, Nicaragua, Niger, Nigeria, Norway, Oman, Palau, Panama, Papua New Guinea, Paraguay, Peru, Philippines, Poland, Portugal, Republic of Moldova, Romania, Rwanda, Samoa, San Marino, Sao Tome and Principe, Saudi Arabia, Senegal, Serbia and Montenegro, Seychelles, Sierra Leone, Singapore, Slovakia, Slovenia, Solomon Islands, Somalia, South Africa, Spain, Sri Lanka, St. Kitts and Nevis, St. Lucia, St. Vincent and Gren, Suriname, Swaziland, Sweden, Switzerland, Taiwan, Tajikistan, Tanzania, Thailand, Timor (East), Togo, Tonga, Trinidad and Tobago, Tunisia, Turkey, Turkmenistan, Tuvalu, Uganda, United Arab Emirates, United Kingdom, Uruguay, Uzbekistan, Vanuatu, Venezuela, Vietnam, Yemen, Zambia, and Zimbabwe	
	Intel Centrino Wireless-N 1000 802.11b/g/n 1x2	593530-001
	For use in Andorra, Antigua and Barbuda, Argentina, Aruba, Australia, Austria, Azerbaijan, Bahamas, Bahrain, Barbados, Belgium, Bermuda, Bolivia, Bosnia and Herzegovina, Brazil, Brunei, Bulgaria, Canada, the Cayman Islands, Chile, People's Republic of China, Colombia, Costa Rica, Croatia, Cyprus, the Czech Republic, Denmark, the Dominican Republic, Ecuador, Egypt, El Salvador, Estonia, Finland, France, French Guiana, Georgia, Germany, Ghana, Greece, Guadeloupe, Guam, Guatemala, Haiti, Honduras, Hong Kong, Hungary, Iceland, India, Indonesia, Ireland, Israel, Italy, Ivory Coast, Jamaica, Japan, Jordan, Kenya, Kuwait, Kyrgyzstan, Latvia, Lebanon, Liechtenstein, Lithuania, Luxembourg, Malawi, Malaysia, Malta, Martinique, Mauritius, Mexico, Monaco, Montenegro, Morocco, the Nether Antilles, Netherlands, New Zealand, Nicaragua, Nigeria, Norway, Oman, Pakistan, Panama, Paraguay, Peru, Philippines, Poland, Portugal, Puerto Rico, Qatar, Romania, San Marino, Saudi Arabia, Senegal, Singapore, Slovakia, Slovenia, South Africa, South Korea, Spain, Sri Lanka, Sweden, Switzerland, Taiwan, Tanzania, Thailand, Trinidad and Tobago, Turkey, Ukraine, United Arab Emirates, United Kingdom, Uruguay, the US Virgin Islands, the United States, Venezuela, and Vietnam	

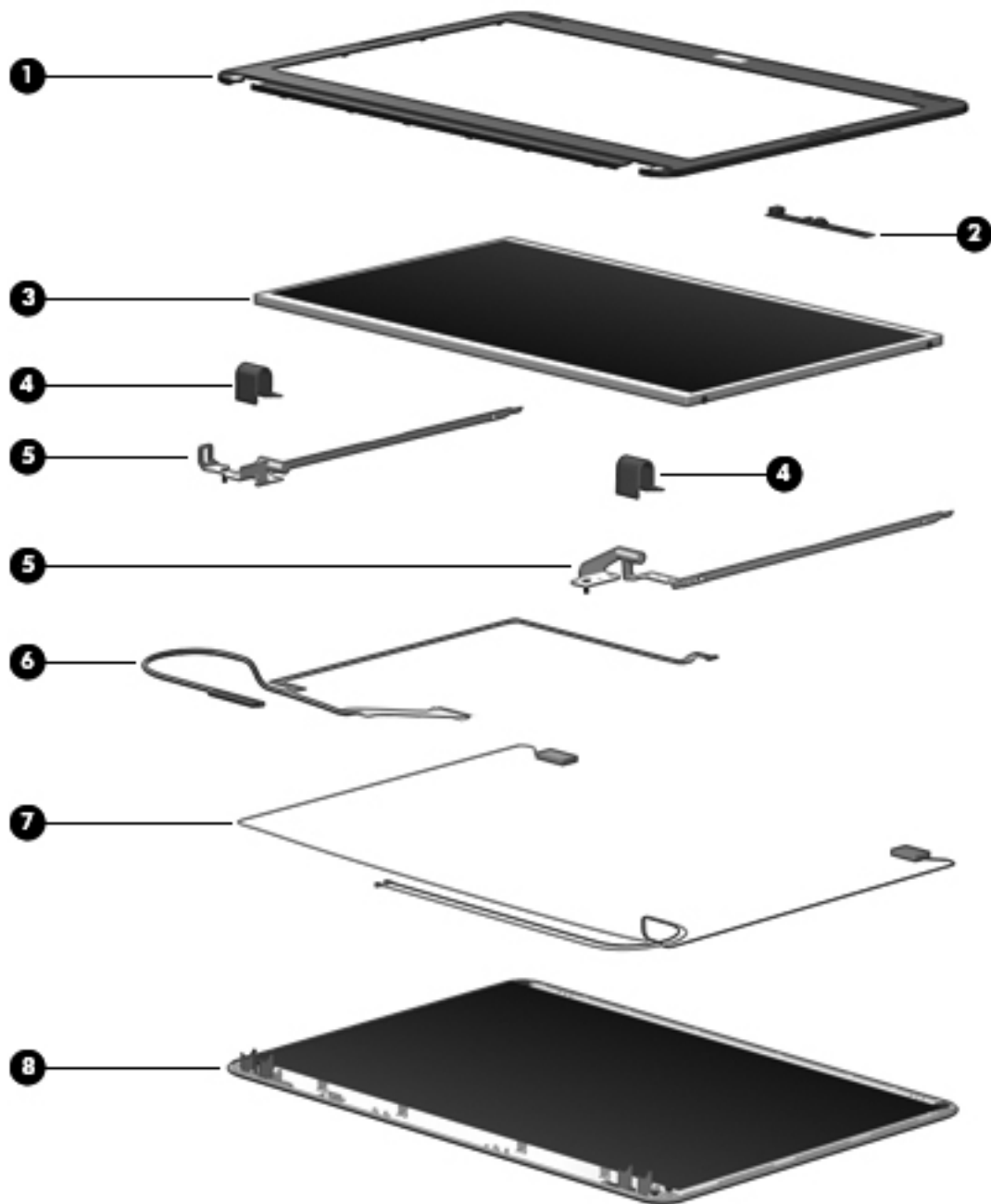
Item	Description	Spare part number
	<p>Realtek RTL8191SE 802.11b/g/n WiFi Adapter</p> <p>For use in Albania, Algeria, Andorra, Angola, Antigua and Barbuda, Argentina, Armenia, Aruba, Australia, Austria, Azerbaijan, Bahamas Bahrain, Bangladesh, Barbados, Belarus, Belgium, Belize, Benin, Bermuda, Bhutan, Bolivia, Bosnia and Herzegovina, Botswana, Brazil, British Virgin Islands, Brunei, Bulgaria, Burkina Faso, Burundi, Cambodia, Cameroon, Canada, Cape Verde, Cayman Islands, Central African Republic, Chad, Chile, People's Republic of China, Colombia, Comoros, Congo, Costa Rica, Croatia, Cyprus, the Czech Republic, Denmark, Djibouti, Dominica, Dominican Republic, East Timor, Ecuador, Egypt, El Salvador, Equatorial Guinea, Eritrea, Estonia, Ethiopia, Fiji, Finland, France, French Guiana, Gabon, Gambia, Georgia, Germany, Ghana, Gibraltar, Greece Grenada, Guadeloupe, Guam, Guatemala, Guinea, Guinea-Bissa, Guyana, Haiti, Honduras, Hong Kong, Hungary, Iceland, India, Indonesia, Iraq, Ireland, Israel, Italy, Ivory Coast, Jamaica, Japan, Jordan, Kazakhstan, Kenya, Kiribati, Kuwait, Kyrgyzstan, Laos, Latvia, Lebanon, Lesotho, Liberia, Liechtenstein, Lithuania, Luxembourg Macedonia, Madagascar, Malawi, Malaysia, Maldives, Mali, Malta, Marshall Islands, Martinique, Mauritania, Mauritius, Mexico, Micronesia, Monaco, Mongolia, Montenegro, Morocco, Mozambique, Namibia, Nauru, Nepal, Nether Antilles, Netherlands, New Zealand Nicaragua, Niger, Nigeria, Norway, Oman, Pakistan, Palau, Panama, Papua New Guinea, Paraguay, Peru, Philippines, Poland, Portugal, Puerto Rico, Qatar, Republic of Moldova, Romania, Russia, Rwanda, Samoa, San Marino, Sao Tome and Principe, Saudi Arabia, Senegal, Serbia and Montenegro, Seychelles, Sierra Leone, Singapore, Slovakia, Slovenia, Solomon Islands, Somalia, South Africa, South Korea, Spain, Sri Lanka, St. Kitts and Nevis, St. Lucia, St. Vincent and Grenadine, Suriname, Swaziland, Sweden, Switzerland, Syria, Taiwan, Tajikistan, Tanzania, Thailand, Togo, Tonga, Trinidad and Tobago, Tunisia, Turkey, Turkmenistan, Tuvalu, Uganda, Ukraine, United Arab Emirates, the United Kingdom, Uruguay, the US Virgin Islands, the United States, Uzbekistan, Vanuatu, Venezuela, Vietnam, Yemen, Zaire, Zambia, and Zimbabwe</p>	593533-001
	<p>Broadcom 4313AGN 802.11 a/b/g/draft-n WiFi Adapter</p> <p>For use in Afghanistan, Albania, Algeria, Andorra, Angola, Antigua and Barbuda, Argentina, Armenia, Aruba, Australia, Austria, Azerbaijan, Bahamas, Bahrain, Bangladesh, Barbados, Belarus, Belgium, Belize, Benin, Bermuda, Bhutan, Bolivia, Bosnia and Herzegovina, Botswana, Brazil, the British Virgin Islands, Brunei, Bulgaria, Burkina Faso, Burundi, Cambodia, Cameroon, Canada, Cape Verde, the Cayman Islands, Central African Republic, Chad, People's Republic of China, Colombia, Comoros, Congo, Costa Rica, Croatia, Cyprus, the Czech Republic, Denmark, Djibouti, Dominica, the Dominican Republic, East Timor, Ecuador, Egypt, El Salvador, Equatorial Guinea, Eritrea, Estonia, Ethiopia, Fiji, Finland, France, French Guiana, Gabon, Gambia, Georgia, Germany, Ghana, Gibraltar, Greece, Grenada, Guadeloupe, Guam, Guatemala, Guinea, Guinea-Bissa, Guyana, Haiti, Honduras, Hong Kong, Hungary, Iceland, India, Iraq, Ireland, Israel, Italy, Ivory Coast, Jamaica, Japan, Jordan, Kazakhstan, Kenya, Kiribati, Kuwait, Kyrgyzstan, Laos, Latvia, Lebanon, Lesotho, Liberia, Martinique, Liechtenstein, Lithuania, Luxembourg, Macedonia, Madagascar, Malawi, Malaysia, Maldives, Mali, Malta, Marshall Islands, Mauritania, Mauritius, Mexico, Micronesia, Monaco, Mongolia, Montenegro, Morocco, Mozambique, Namibia, Nauru, Nepal, the Nether Antilles, the Netherlands, New Zealand, Nicaragua, Niger, Nigeria, Norway, Oman, Pakistan, Palau, Panama, Papua New Guinea, Paraguay, Puerto Rico, Peru, Philippines, Poland, Portugal, Qatar, Republic of Moldova, Romania, Russia, Rwanda, Samoa, San Marino, Sao Tome and Principe, Saudi Arabia, Senegal, Serbia and Montenegro, Seychelles, Sierra Leone, Singapore, Slovakia, Slovenia, Solomon Islands, Somalia, South Africa, South Korea, Spain, Sri Lanka, St. Kitts and Nevis, St. Lucia, St. Vincent and the Grenadines, Suriname, Swaziland, Sweden, Switzerland, Syria, Taiwan, Tajikistan, Tanzania, Thailand, Togo, Tonga, Trinidad and Tobago, Tunisia, Turkey, Turkmenistan, Tuvalu, Uganda, Ukraine, the United Arab Emirates, the United Kingdom, Uruguay, the United States, the US Virgin Islands, Uzbekistan, Vanuatu, Venezuela, Vietnam, Yemen, Zaire, Zambia, and Zimbabwe</p>	593836-001

Item	Description	Spare part number
	Broadcom 4313 802.11b/g/n 1x1 WiFi and 2070 Bluetooth 2.1 +EDR Combo Adapter	600370-001
	<p>For use in Afghanistan, Albania, Algeria, Andorra, Angola, Antigua and Barbuda, Argentina, Armenia, Aruba, Australia, Austria, Azerbaijan, Bahamas, Bahrain, Bangladesh, Barbados, Belarus, Belgium, Belize, Benin, Bermuda, Bhutan, Bolivia, Bosnia and Herzegovina, Botswana, Brazil, British Virgin Islands, Brunei, Bulgaria, Burkina Faso, Burundi, Cambodia, Cameroon, Canada, Cape Verde, the Cayman Islands, Central African Republic, Chad, Chile, the People's Republic of China, Colombia, Comoros, Congo, Costa Rica, Croatia, Cyprus, the Czech Republic, Denmark, Djibouti, Dominica, the Dominican Republic, East Timor, Ecuador, Egypt, El Salvador, Equatorial Guinea, Eritrea, Estonia, Ethiopia, Fiji, Finland, France, French Guiana, Gabon, Gambia, Georgia, Germany, Ghana, Gibraltar, Greece, Grenada, Guadeloupe, Guam, Guatemala, Guinea, Guinea-Bissau, Guyana, Haiti, Honduras, Hong Kong, Hungary, Iceland, India, Indonesia, Iraq, Ireland, Israel, Italy, Ivory Coast, Jamaica, Japan, Jordan, Kazakhstan, Kenya, Kiribati, Kuwait, Kyrgyzstan, Laos, Latvia, Lebanon, Lesotho, Liberia, Liechtenstein, Lithuania, Luxembourg, Macedonia, Madagascar, Malawi, Malaysia, Maldives, Mali, Malta, the Marshall Islands, Martinique, Mauritania, Mauritius, Mexico, Micronesia, Monaco, Mongolia, Montenegro, Morocco, Mozambique, Namibia, Nauru, Nepal, the Netherlands, the Netherlands, New Zealand, Nicaragua, Niger, Nigeria, Norway, Oman, Pakistan, Palau, Panama, Papua New Guinea, Paraguay, Peru, the Philippines, Poland, Portugal, Puerto Rico, the Republic of Moldova, Romania, Russia, Rwanda, Samoa, San Marino, Sao Tome and Principe, Saudi Arabia, Senegal, Serbia and Montenegro, Seychelles, Sierra Leone, Singapore, Slovakia, Slovenia, the Solomon Islands, Somalia, South Africa, South Korea, Spain, Sri Lanka, St. Kitts and Nevis, St. Lucia, St. Vincent and the Grenadines, Suriname, Swaziland, Sweden, Switzerland, Syria, Taiwan, Tajikistan, Tanzania, Thailand, Togo, Tonga, Trinidad and Tobago, Tunisia, Turkey, Turkmenistan, Tuvalu, Uganda, Ukraine, the United Arab Emirates, the United Kingdom, Uruguay, the US Virgin Islands, the United States, Uzbekistan, Vanuatu, Venezuela, Vietnam, Yemen, Zaire, Zambia, and Zimbabwe</p>	

Item	Description	Spare part number
	<p>Realink RT3090BC4 802.11b/g/n 1x1 WiFi and Bluetooth 2.1+EDR Combo Adapter</p> <p>For use in Afghanistan, Albania, Algeria, Andorra, Angola, Antigua and Barbuda, Argentina, Armenia, Aruba, Australia, Austria, Azerbaijan, Bahamas, Bahrain, Barbados, Belarus, Belgium, Belize, Benin, Bermuda, Bhutan, Bolivia, Bosnia and Herzegovina, Botswana, Brazil, British Virgin Islands, Brunei, Bulgaria, Burkina Faso, Burundi, Cambodia, Cameroon, Canada, Cape Verde, the Cayman Islands, Central African Republic, Chad, Chile, the People's Republic of China, Colombia, Comoros, Congo, Costa Rica, Croatia, Cyprus, the Czech Republic, Denmark, Djibouti, Dominica, the Dominican Republic, East Timor, Ecuador, Egypt, El Salvador, Equatorial Guinea, Eritrea, Estonia, Ethiopia, Fiji, Finland, France, French Guiana, Gabon, Gambia, Georgia, Germany, Ghana, Gibraltar, Greece, Grenada, Guadeloupe, Guam, Guatemala, Guinea, Guinea-Bissa, Guyana, Haiti, Honduras, Hong Kong, Hungary, Iceland, India, Indonesia, Ireland, Israel, Italy, Ivory Coast, Jamaica, Japan, Jordan, Kazakhstan, Kenya, Kiribati, Kuwait, Kyrgyzstan, Laos, Latvia, Lebanon, Lesotho, Liberia, Liechtenstein, Lithuania, Luxembourg, Macedonia, Madagascar, Malawi, Malaysia, Maldives, Mali, Malta, the Marshall Islands, Martinique, Mauritania, Mauritius, Mexico, Micronesia, Monaco, Mongolia, Montenegro, Morocco, Mozambique, Namibia, Nauru, Nepal, the Nether Antilles, the Netherlands, New Zealand, Nicaragua, Niger, Nigeria, Norway, Oman, Pakistan, Palau, Panama, Papua New Guinea, Paraguay, Peru, the Philippines, Poland, Portugal, Puerto Rico, the Republic of Moldova, Romania, Russia, Rwanda, Samoa, San Marino, Sao Tome and Principe, Saudi Arabia, Senegal, Serbia and Montenegro, Seychelles, Sierra Leone, Singapore, Slovakia, Slovenia, the Solomon Islands, Somalia, South Africa, South Korea, Spain, Sri Lanka, St. Kitts and Nevis, St. Lucia, St. Vincent and Grenadines, Suriname, Swaziland, Sweden, Switzerland, Syria, Taiwan, Tajikistan, Tanzania, Thailand, Togo, Tonga, Trinidad and Tobago, Tunisia, Turkey, Turkmenistan, Tuvalu, Uganda, Ukraine, the United Arab Emirates, the United Kingdom, Uruguay, the US Virgin Islands, the United States, Uzbekistan, Vanuatu, Venezuela, Vietnam, Yemen, Zaire, Zambia, and Zimbabwe</p>	602992-001
(13)	Memory modules (PC3-10600, 1333-MHz)	
	4-GB	599092-001
	2-GB	598859-001
	1-GB	598856-001
(14)	Power button board (includes cable and bracket)	608276-001
(15)	Bluetooth module	537921-001
	NOTE: The Bluetooth module cable is included in the Misc Cable Kit, spare part number 608009-001.	
(16)	Base enclosure (with modem cable and ODD cable)	608008-001
(17)	Battery	
	6-cell, 47-WHr (2.20-Ah) Li-ion	593553-001
	6-cell, 55-WHr (2.55-Ah) Li-ion	593554-001
(18)	Hard Drive Mounting Kit (includes retention screws, bracket screws, and hard drive bracket)	608015-001
(19)	Hard drive (includes hard drive bracket)	
	NOTE: The hard drive cable is included in the Misc Cable Kit, spare part number 608009-001.	

Item	Description	Spare part number
	500-GB, 7200 RPM	608014-001
	320-GB, 7200 RPM	608013-001
	250-GB, 7200 RPM	608012-001
	160-GB solid-state drive	608011-001
(20)	Optical drive (12.7 mm, SATA, fixed)	
	DVD±RW SuperMulti DL Drive with LightScribe	608021-001
	Blu-ray ROM with LightScribe DVD±R/RW SuperMulti DL Drive	608022-001

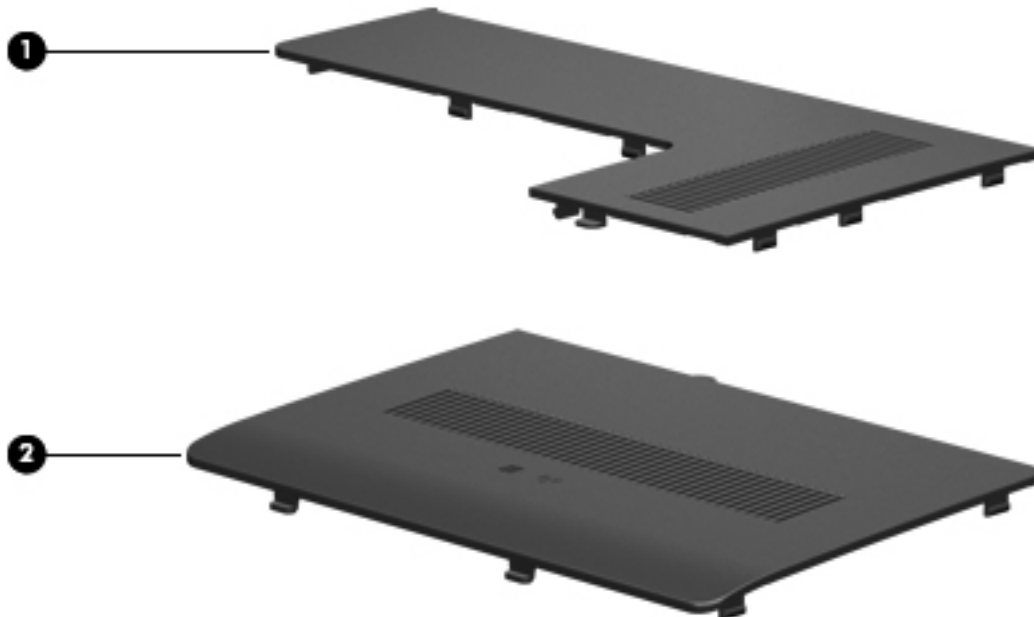
Display assembly components



Item	Description	Spare part number
(1)	Display bezel (includes Mylar screw covers)	
	For use in Compaq Presario CQ32-branded computers	608020-001
	For use in HP G32-branded computers	628918-001
(2)	Webcam module	608031-001
(3)	Display panel , Brightview, high-definition, 33.78 cm (13.3-in)	608019-001

Item	Description	Spare part number
(4)	Display hinge cover	608275-001
(5)	Display hinges	608016-001
(6)	Display cable kit	608272-001
(7)	Display WLAN antennas	608006-001
(8)	Display enclosure	
	For use in Compaq Presario CQ32-branded computers	608007-001
	For use in HP G32-branded computers	628919-001

Plastics Kit



Item	Description	Spare part number
	Plastics kit	608023-001
(1)	Wireless/memory module mini-card compartment cover (includes captive screw)	
(2)	Hard drive bay cover (includes captive screws)	

Mass storage devices



Item	Description	Spare part number
(1)	Optical drives (12.7 mm, SATA, fixed)	
	DVD±RW SuperMulti DL Drive with LightScribe	608021-001
	Blu-ray ROM with LightScribe DVD±R/RW SuperMulti DL Drive	608022-001
(2)	Hard drive (include hard drive bracket)	
	NOTE: The hard drive cable is included in the Misc Cable Kit, spare part number 608009-001.	
	500-GB, 7200 RPM	608014-001
	320-GB, 7200 RPM	608013-001
	250-GB, 7200 RPM	608012-001
	160-GB solid-state drive	608011-001
	Hard Drive Hardware Kit (includes retention screws, bracket screws, and hard drive bracket; not illustrated)	608015-001

Miscellaneous parts

Description	Spare part number
Smart AC adapter (90-W with power factor correction)	609940-001
Power cord, AC, 3 wire, black, 1.83-m for use in the People's Republic of China	490371-AA1
RTC battery	449137-001
Rubber Feet Kit	608228-001
Screw Kit	608026-001
<ul style="list-style-type: none">• Phillips M2.0×3.0 screw• Phillips M2.0×4.0 screw• Phillips M2.5×3.0 broadhead screw• Phillips M2.5×4.0 screw• Phillips M2.5×5.0 screw• Phillips M2.5×7.0 screw• Phillips M2.5×8.0 screw• Phillips M3.0×3.0 screw	

Sequential part number listing

Spare part number	Description
449137-001	RTC battery
490371-AA1	Power cord, AC, 3-pin, black, 1.83-m, for use in the People's Republic of China
537921-001	Bluetooth module without cable
580101-002	Atheros AR9285 802.11 a/b/g/n 2x2 WiFi adapter for use in Afghanistan, Albania, Algeria, Andorra, Angola, Antigua and Barbuda, Argentina, Armenia, Australia, Austria, Azerbaijan, Bahamas, Bahrain, Barbados, Belgium, Belize, Benin, Bhutan, Bosnia and Herzegovina, Botswana, Brazil, Brunei, Bulgaria, Burkina Faso, Burundi, Cambodia, Cameroon, Cape Verde, Central African Republic, Chad, Chile, People's Republic of China, Colombia, Comoros, Congo, Costa Rica, Croatia, Cyprus, Czech Republic, Zaire, Denmark, Djibouti, Dominica, Dominican Republic, Ecuador, Egypt, El Salvador, Equatorial Guinea, Eritrea, Estonia, Ethiopia, Fiji, Finland, France, Gabon, Gambia, Georgia, Germany, Ghana, Gibraltar, Greece, Grenada, Guatemala, Guinea, Guinea-Bissau, Guyana, Haiti, Honduras, Hong Kong, Hungary, Iceland, India, Indonesia, Ireland, Italy, Ivory Coast, Jamaica, Japan, Jordan, Kazakhstan, Kenya, Kiribati, Korea-South, Kuwait, Kyrgyzstan, Laos, Latvia, Lebanon, Lesotho, Liberia, Martinique, Nether Antilles, French Guiana, Aruba, British Virgin Islands, Bermuda, Syria, Guadeloupe, Liechtenstein, Lithuania, Luxembourg, Macedonia, Madagascar, Malawi, Malaysia, Maldives, Mali, Malta, Marshall Islands, Mauritania, Mauritius, Mexico, Micronesia, Monaco, Mongolia, Montenegro, Morocco, Mozambique, Namibia, Nauru, Nepal, Netherlands, New Zealand, Nicaragua, Niger, Nigeria, Norway, Oman, Palau, Panama, Papua New Guinea, Paraguay, Peru, Philippines, Poland, Portugal, Republic of Moldova, Romania, Rwanda, Samoa, San Marino, Sao tome and Principe, Saudi Arabia, Senegal, Serbia and Montenegro, Seychelles, Sierra Leone, Singapore, Slovakia, Slovenia, Solomon Islands, Somalia, South Africa, Spain, Sri Lanka, St. Kitts and Nevis, St. Lucia, St. Vincent and Gren, Suriname, Swaziland, Sweden, Switzerland, Taiwan, Tajikistan, Tanzania, Thailand, Timor (East), Togo, Tonga, Trinidad and Tobago, Tunisia, Turkey, Turkmenistan, Tuvalu, Uganda, United Arab Emirates, United Kingdom, Uruguay, Uzbekistan, Vanuatu, Venezuela, Vietnam, Yemen, Zambia, and Zimbabwe
593530-001	Intel Centrino Wireless-N 1000 802.11b/g/n 1x2 for use in Andorra, Antigua and Barbuda, Argentina, Aruba, Australia, Austria, Azerbaijan, Bahamas, Bahrain, Barbados, Belgium, Bermuda, Bolivia, Bosnia and Herzegovina, Brazil, Brunei, Bulgaria, Canada, the Cayman Islands, Chile, People's Republic of China, Colombia, Costa Rica, Croatia, Cyprus, the Czech Republic, Denmark, the Dominican Republic, Ecuador, Egypt, El Salvador, Estonia, Finland, France, French Guiana, Georgia, Germany, Ghana, Greece, Guadeloupe, Guam, Guatemala, Haiti, Honduras, Hong Kong, Hungary, Iceland, India, Indonesia, Ireland, Israel, Italy, Ivory Coast, Jamaica, Japan, Jordan, Kenya, Kuwait, Kyrgyzstan, Latvia, Lebanon, Liechtenstein, Lithuania, Luxembourg, Malawi, Malaysia, Malta, Martinique, Mauritius, Mexico, Monaco, Montenegro, Morocco, the Nether Antilles, Netherlands, New Zealand, Nicaragua, Nigeria, Norway, Oman, Pakistan, Panama, Paraguay, Peru, Philippines, Poland, Portugal, Puerto Rico, Qatar, Romania, San Marino, Saudi Arabia, Senegal, Singapore, Slovakia, Slovenia, South Africa, South Korea, Spain, Sri Lanka, Sweden, Switzerland, Taiwan, Tanzania, Thailand, Trinidad and Tobago, Turkey, Ukraine, United Arab Emirates, United Kingdom, Uruguay, the US Virgin Islands, the United States, Venezuela, and Vietnam

Spare part number	Description
593533-001	Realtek RTL8191SE 802.11b/g/n WiFi Adapter for use in Albania, Algeria, Andorra, Angola, Antigua and Barbuda, Argentina, Armenia, Aruba, Australia, Austria, Azerbaijan, Bahamas Bahrain, Bangladesh, Barbados, Belarus, Belgium, Belize, Benin, Bermuda, Bhutan, Bolivia, Bosnia and Herzegovina, Botswana, Brazil, British Virgin Islands, Brunei, Bulgaria, Burkina Faso, Burundi, Cambodia, Cameroon, Canada, Cape Verde, Cayman Islands, Central African Republic, Chad, Chile, People's Republic of China, Colombia, Comoros, Congo, Costa Rica, Croatia, Cyprus, the Czech Republic, Denmark, Djibouti, Dominica, Dominican Republic, East Timor, Ecuador, Egypt, El Salvador, Equitorial Guinea, Eritrea, Estonia, Ethiopia, Fiji, Finland, France, French Guiana, Gabon, Gambia, Georgia, Germany, Ghana, Gibraltar, Greece Grenada, Guadeloupe, Guam, Guatemala, Guinea, Guinea-Bissa, Guyana, Haiti, Honduras, Hong Kong, Hungary, Iceland, India, Indonesia, Iraq, Ireland, Israel, Italy, Ivory Coast, Jamaica, Japan, Jordan, Kazakhstan, Kenya, Kiribati, Kuwait, Kyrgyzstan, Laos, Latvia, Lebanon, Lesotho, Liberia, Liechtenstein, Lithuania, Luxembourg Macedonia, Madagascar, Malawi, Malaysia, Maldives, Mali, Malta, Marshall Islands, Martinique, Mauritania, Mauritius, Mexico, Micronesia, Monaco, Mongolia, Montenegro, Morocco, Mozambique, Namibia, Nauru, Nepal, Nether Antilles, Netherlands, New Zealand Nicaragua, Niger, Nigeria, Norway, Oman, Pakistan, Palau, Panama, Papua New Guinea, Paraguay, Peru, Philippines, Poland, Portugal, Puerto Rico, Qatar, Republic of Moldova, Romania, Russia, Rwanda, Samoa, San Marino, Sao Tome and Principe, Saudi Arabia, Senegal, Serbia and Montenegro, Seychelles, Sierra Leone, Singapore, Slovakia, Slovenia, Solomon Islands, Somalia, South Africa, South Korea, Spain, Sri Lanka, St. Kitts and Nevis, St. Lucia, St. Vincent and Grenadine, Suriname, Swaziland, Sweden, Switzerland, Syria, Taiwan, Tajikistan, Tanzania, Thailand, Togo, Tonga, Trinidad and Tobago, Tunisia, Turkey, Turkmenistan, Tuvalu, Uganda, Ukraine, United Arab Emirates, the United Kingdom, Uruguay, the US Virgin Islands, the United States, Uzbekistan, Vanuatu, Venezuela, Vietnam, Yemen, Zaire, Zambia, and Zimbabwe
593553-001	6-cell, 47-Whr (2.20Ah) Li-ion battery
593554-001	6-cell 55-Whr (2.55Ah) Li-ion battery
593836-001	Broadcom 4313AGN 802.11a/b/g/draft-n WiFi Adapter for use in Afghanistan, Albania, Algeria, Andorra, Angola, Antigua and Barbuda, Argentina, Armenia, Aruba, Australia, Austria, Azerbaijan, Bahamas, Bahrain, Bangladesh, Barbados, Belarus, Belgium, Belize, Benin, Bermuda, Bhutan, Bolivia, Bosnia and Herzegovina, Botswana, Brazil, the British Virgin Islands, Brunei, Bulgaria, Burkina Faso, Burundi, Cambodia, Cameroon, Canada, Cape Verde, the Cayman Islands, Central African Republic, Chad, People's Republic of China, Colombia, Comoros, Congo, Costa Rica, Croatia, Cyprus, the Czech Republic, Denmark, Djibouti, Dominica, the Dominican Republic, East Timor, Ecuador, Egypt, El Salvador, Equitorial Guinea, Eritrea, Estonia, Ethiopia, Fiji, Finland, France, French Guiana, Gabon, Gambia, Georgia, Germany, Ghana, Gibraltar, Greece, Grenada, Guadeloupe, Guam, Guatemala, Guinea, Guinea-Bissa, Guyana, Haiti, Honduras, Hong Kong, Hungary, Iceland, India, Iraq, Ireland, Israel, Italy, Ivory Coast, Jamaica, Japan, Jordan, Kazakhstan, Kenya, Kiribati, Kuwait, Kyrgyzstan, Laos, Latvia, Lebanon, Lesotho, Liberia, Martinique, Liechtenstein, Lithuania, Luxembourg, Macedonia, Madagascar, Malawi, Malaysia, Maldives, Mali, Malta, Marshall Islands, Mauritania, Mauritius, Mexico, Micronesia, Monaco, Mongolia, Montenegro, Morocco, Mozambique, Namibia, Nauru, Nepal, the Nether Antilles, the Netherlands, New Zealand, Nicaragua, Niger, Nigeria, Norway, Oman, Pakistan, Palau, Panama, Papua New Guinea, Paraguay, Puerto Rico, Peru, Philippines, Poland, Portugal, Qatar, Republic of Moldova, Romania, Russia, Rwanda, Samoa, San Marino, Sao Tome and Principe, Saudi Arabia, Senegal, Serbia and Montenegro, Seychelles, Sierra Leone, Singapore, Slovakia, Slovenia, Solomon Islands, Somalia, South Africa, South Korea, Spain, Sri Lanka, St. Kitts and Nevis, St. Lucia, St. Vincent and the Grenadines, Suriname, Swaziland, Sweden, Switzerland, Syria, Taiwan, Tajikistan, Tanzania, Thailand, Togo, Tonga, Trinidad and Tobago, Tunisia, Turkey, Turkmenistan, Tuvalu, Uganda, Ukraine, the United Arab Emirates, the United Kingdom, Uruguay, the United States, the US Virgin Islands, Uzbekistan, Vanuatu, Venezuela, Vietnam, Yemen, Zaire, Zambia, and Zimbabwe
594187-001	Intel Core i5 520M Dual Core processor (2.40-GHz, 3-MB L3 cache)
594188-001	Intel Core i5 540M Dual Core processor (2.53-GHz, 3-MB L3 cache)
597623-001	Intel Core i3 350M Dual-Core processor (2.26-GHz, 3-MB L3 cache)

Spare part number	Description
597624-001	Intel Core i5 430M Dual Core processor (2.26-GHz, 3-MB L3 cache)
598856-001	Memory module, 2-GB, PC3 10600, 1333-MHz
598859-001	Memory module, 1-GB, PC3 10600, 1333-MHz
599092-001	Memory module, 4-GB, PC3 10600, 1333-MHz
600370-001	Broadcom 4313 802.11b/g/n 1x1 WiFi and 2070 Bluetooth 2.1+EDR Combo Adapter for use in Afghanistan, Albania, Algeria, Andorra, Angola, Antigua and Barbuda, Argentina, Armenia, Aruba, Australia, Austria, Azerbaijan, Bahamas, Bahrain, Barbados, Belarus, Belgium, Belize, Benin, Bermuda, Bhutan, Bolivia, Bosnia and Herzegovina, Botswana, Brazil, British Virgin Islands, Brunei, Bulgaria, Burkina Faso, Burundi, Cambodia, Cameroon, Canada, Cape Verde, the Cayman Islands, Central African Republic, Chad, Chile, the People's Republic of China, Colombia, Comoros, Congo, Costa Rica, Croatia, Cyprus, the Czech Republic, Denmark, Djibouti, Dominica, the Dominican Republic, East Timor, Ecuador, Egypt, El Salvador, Equatorial Guinea, Eritrea, Estonia, Ethiopia, Fiji, Finland, France, French Guiana, Gabon, Gambia, Georgia, Germany, Ghana, Gibraltar, Greece, Grenada, Guadeloupe, Guam, Guatemala, Guinea, Guinea-Bissa, Guyana, Haiti, Honduras, Hong Kong, Hungary, Iceland, India, Indonesia, Iraq, Ireland, Israel, Italy, Ivory Coast, Jamaica, Japan, Jordan, Kazakhstan, Kenya, Kiribati, Kuwait, Kyrgyzstan, Laos, Latvia, Lebanon, Lesotho, Liberia, Liechtenstein, Lithuania, Luxembourg, Macedonia, Madagascar, Malawi, Malaysia, Maldives, Mali, Malta, the Marshall Islands, Martinique, Mauritania, Mauritius, Mexico, Micronesia, Monaco, Mongolia, Montenegro, Morocco, Mozambique, Namibia, Nauru, Nepal, the Nether Antilles, the Netherlands, New Zealand, Nicaragua, Niger, Nigeria, Norway, Oman, Pakistan, Palau, Panama, Papua New Guinea, Paraguay, Peru, the Philippines, Poland, Portugal, Puerto Rico, the Republic of Moldova, Romania, Russia, Rwanda, Samoa, San Marino, Sao Tome and Principe, Saudi Arabia, Senegal, Serbia and Montenegro, Seychelles, Sierra Leone, Singapore, Slovakia, Slovenia, the Solomon Islands, Somalia, South Africa, South Korea, Spain, Sri Lanka, St. Kitts and Nevis, St. Lucia, St. Vincent and Grenadines, Suriname, Swaziland, Sweden, Switzerland, Syria, Taiwan, Tajikistan, Tanzania, Thailand, Togo, Tonga, Trinidad and Tobago, Tunisia, Turkey, Turkmenistan, Tuvalu, Uganda, Ukraine, the United Arab Emirates, the United Kingdom, Uruguay, the US Virgin Islands, the United States, Uzbekistan, Vanuatu, Venezuela, Vietnam, Yemen, Zaire, Zambia, and Zimbabwe
602992-001	Realink RT3090BC4 802.11b/g/n 1x1 WiFi and Bluetooth 2.1+EDR Combo Adapter for use in Afghanistan, Albania, Algeria, Andorra, Angola, Antigua and Barbuda, Argentina, Armenia, Aruba, Australia, Austria, Azerbaijan, Bahamas, Bahrain, Barbados, Belarus, Belgium, Belize, Benin, Bermuda, Bhutan, Bolivia, Bosnia and Herzegovina, Botswana, Brazil, British Virgin Islands, Brunei, Bulgaria, Burkina Faso, Burundi, Cambodia, Cameroon, Canada, Cape Verde, the Cayman Islands, Central African Republic, Chad, Chile, the People's Republic of China, Colombia, Comoros, Congo, Costa Rica, Croatia, Cyprus, the Czech Republic, Denmark, Djibouti, Dominica, the Dominican Republic, East Timor, Ecuador, Egypt, El Salvador, Equatorial Guinea, Eritrea, Estonia, Ethiopia, Fiji, Finland, France, French Guiana, Gabon, Gambia, Georgia, Germany, Ghana, Gibraltar, Greece, Grenada, Guadeloupe, Guam, Guatemala, Guinea, Guinea-Bissa, Guyana, Haiti, Honduras, Hong Kong, Hungary, Iceland, India, Indonesia, Ireland, Israel, Italy, Ivory Coast, Jamaica, Japan, Jordan, Kazakhstan, Kenya, Kiribati, Kuwait, Kyrgyzstan, Laos, Latvia, Lebanon, Lesotho, Liberia, Liechtenstein, Lithuania, Luxembourg, Macedonia, Madagascar, Malawi, Malaysia, Maldives, Mali, Malta, the Marshall Islands, Martinique, Mauritania, Mauritius, Mexico, Micronesia, Monaco, Mongolia, Montenegro, Morocco, Mozambique, Namibia, Nauru, Nepal, the Nether Antilles, the Netherlands, New Zealand, Nicaragua, Niger, Nigeria, Norway, Oman, Pakistan, Palau, Panama, Papua New Guinea, Paraguay, Peru, the Philippines, Poland, Portugal, Puerto Rico, the Republic of Moldova, Romania, Russia, Rwanda, Samoa, San Marino, Sao Tome and Principe, Saudi Arabia, Senegal, Serbia and Montenegro, Seychelles, Sierra Leone, Singapore, Slovakia, Slovenia, the Solomon Islands, Somalia, South Africa, South Korea, Spain, Sri Lanka, St. Kitts and Nevis, St. Lucia, St. Vincent and Grenadines, Suriname, Swaziland, Sweden, Switzerland, Syria, Taiwan, Tajikistan, Tanzania, Thailand, Togo, Tonga, Trinidad and Tobago, Tunisia, Turkey, Turkmenistan, Tuvalu, Uganda, Ukraine, the United Arab Emirates, the United Kingdom, Uruguay, the US Virgin Islands, the United States, Uzbekistan, Vanuatu, Venezuela, Vietnam, Yemen, Zaire, Zambia, and Zimbabwe
603922-001	USB board

Spare part number	Description
608006-001	Display WLAN antennas
608007-001	Display enclosure for use in Compaq Presario CQ32 computers
608008-001	Base enclosure
608009-001	Misc Cable Kit (includes Bluetooth module cable and hard drive cable)
608010-001	Fan/heat sink
608011-001	160-GB solid-state hard drive
608012-001	250-GB, 7200 RPM hard drive
608013-001	320-GB, 7200 RPM hard drive
608014-001	500-GB, 7200 RPM hard drive
608015-001	Hard drive hardware kit (includes retention screws, bracket screws, and hard drive bracket)
608016-001	Display bracket (with hinges)
608017-001	33.78 cm (13.3-in) WXGA Brightview display assembly for use in Compaq Presario CQ32 computers
608018-001	Keyboard for use in the United States
608019-001	33.78 cm (13.3-in) display panel, high definition
608020-001	Display bezel (includes Mylar screw covers) for use in Compaq Presario CQ32 computers
608021-001	DVD±RW SuperMulti DL Drive with LightScribe
608022-001	Blu-ray ROM with LightScribe DVD±R/RW SuperMulti DL Drive
608023-001	Plastics kit (with hard drive compartment cover and memory/wireless compartment cover)
608026-001	Screw Kit
608027-001	Speaker assembly (includes cable)
608029-001	System board with 512-MB of discrete graphics memory (includes replacement thermal material)
608030-001	Top cover (includes Touchpad and bracket, button board, and cable)
608031-001	Webcam module
608228-001	Rubber kit
608272-001	Display cable kit
608274-001	Optical Drive Mounting Kit (includes SATA cable, cable bracket, optical drive bracket, and screws)
608275-001	Display hinge cover
608276-001	Power button board (includes cable and bracket)
609940-001	90-W Smart AC adapter
613584-001	Intel Core i3 370M Dual Core (2.40-GHz, 3-MB L3 cache)
613585-001	Intel Core i5 450M Dual Core processor (2.40-GHz, 3-MB L3 cache)
613586-001	Intel Pentium P6000 processor (1.86-MHz, 3-MB L3 cache)

Spare part number	Description
613587-001	Intel Pentium P6100 processor (2.0-GHz, 3-MB L3 cache)
615842-001	System board with 1-GB discrete graphics memory (includes replacement thermal material)
621884-001	Power connector with cable (includes bracket)
625823-001	Intel Core i3 380M Dual Core processor (2.53-GHz, 3-MB L3 cache)
625824-001	Intel Core i5 560M Dual Core processor (2.66–3.2-GHz, 3-MB L3 cache)
625825-001	Intel Core i5 580M Dual Core processor (2.66–3.3-GHz, 3-MB, L3 cache)
625831-001	Intel Pentium P6200 processor (2.13-GHz, 3-MB, L3 cache)
626039-001	Intel Core i5 460M Dual Core processor (2.53-GHz, 3-MB L3 cache)
628918-001	Display bezel (includes Mylar screw covers) for use in HP G32–branded computers
628919-001	Display enclosure for use in HP G32–branded computers
628920-001	33.78 cm (13.3-in) WXGA Brightview display assembly for use in HP G32–branded computers

4 Removal and replacement procedures

Preliminary replacement requirements


Tools required

You will need the following tools to complete the removal and replacement procedures:

- Flat-bladed screwdriver
- Magnetic screwdriver
- Phillips P0 and P1 screwdrivers

Service considerations

The following sections include some of the considerations that you must keep in mind during disassembly and assembly procedures.

 **NOTE:** As you remove each subassembly from the computer, place the subassembly (and all accompanying screws) away from the work area to prevent damage.

Plastic parts

Using excessive force during disassembly and reassembly can damage plastic parts. Use care when handling the plastic parts. Apply pressure only at the points designated in the maintenance instructions.

Cables and connectors

- △ **CAUTION:** When servicing the computer, be sure that cables are placed in their proper locations during the reassembly process. Improper cable placement can damage the computer.
-

Cables must be handled with extreme care to avoid damage. Apply only the tension required to unseat or seat the cables during removal and insertion. Handle cables by the connector whenever possible. In all cases, avoid bending, twisting, or tearing cables. Be sure that cables are routed in such a way that they cannot be caught or snagged by parts being removed or replaced. Handle flex cables with extreme care; these cables tear easily.

Drive handling

- △ **CAUTION:** Drives are fragile components that must be handled with care. To prevent damage to the computer, damage to a drive, or loss of information, observe these precautions:

Before removing or inserting a hard drive, shut down the computer. If you are unsure whether the computer is off or in Hibernation, turn the computer on, and then shut it down through the operating system.

Before handling a drive, be sure that you are discharged of static electricity. While handling a drive, avoid touching the connector.

Before removing a diskette drive or optical drive, be sure that a diskette or disc is not in the drive and be sure that the optical drive tray is closed.

Handle drives on surfaces covered with at least one inch of shock-proof foam.

Avoid dropping drives from any height onto any surface.

After removing a hard drive, an optical drive, or a diskette drive, place it in a static-proof bag.

Avoid exposing a hard drive to products that have magnetic fields, such as monitors or speakers.

Avoid exposing a drive to temperature extremes or liquids.

If a drive must be mailed, place the drive in a bubble pack mailer or other suitable form of protective packaging and label the package "FRAGILE."

Grounding guidelines

Electrostatic discharge damage

Electronic components are sensitive to electrostatic discharge (ESD). Circuitry design and structure determine the degree of sensitivity. Networks built into many integrated circuits provide some protection, but in many cases, ESD contains enough power to alter device parameters or melt silicon junctions.

A discharge of static electricity from a finger or other conductor can destroy static-sensitive devices or microcircuitry. Even if the spark is neither felt nor heard, damage may have occurred.

An electronic device exposed to ESD may not be affected at all and can work perfectly throughout a normal cycle. Or the device may function normally for a while, then degrade in the internal layers, reducing its life expectancy.

△ **CAUTION:** To prevent damage to the computer when you are removing or installing internal components, observe these precautions:

Keep components in their electrostatic-safe containers until you are ready to install them.

Use nonmagnetic tools.

Before touching an electronic component, discharge static electricity by using the guidelines described in this section.

Avoid touching pins, leads, and circuitry. Handle electronic components as little as possible.

If you remove a component, place it in an electrostatic-safe container.

The following table shows how humidity affects the electrostatic voltage levels generated by different activities.

△ **CAUTION:** A product can be degraded by as little as 700 V.

Typical electrostatic voltage levels

Event	Relative humidity		
	10%	40%	55%
Walking across carpet	35,000 V	15,000 V	7,500 V
Walking across vinyl floor	12,000 V	5,000 V	3,000 V
Motions of bench worker	6,000 V	800 V	400 V
Removing DIPS from plastic tube	2,000 V	700 V	400 V
Removing DIPS from vinyl tray	11,500 V	4,000 V	2,000 V
Removing DIPS from Styrofoam	14,500 V	5,000 V	3,500 V
Removing bubble pack from PCB	26,500 V	20,000 V	7,000 V
Packing PCBs in foam-lined box	21,000 V	11,000 V	5,000 V

Packaging and transporting guidelines

Follow these grounding guidelines when packaging and transporting equipment:

- To avoid hand contact, transport products in static-safe tubes, bags, or boxes.
- Protect ESD-sensitive parts and assemblies with conductive or approved containers or packaging.
- Keep ESD-sensitive parts in their containers until the parts arrive at static-free workstations.
- Place items on a grounded surface before removing items from their containers.
- Always be properly grounded when touching a component or assembly.
- Store reusable ESD-sensitive parts from assemblies in protective packaging or nonconductive foam.
- Use transporters and conveyors made of antistatic belts and roller bushings. Be sure that mechanized equipment used for moving materials is wired to ground and that proper materials are selected to avoid static charging. When grounding is not possible, use an ionizer to dissipate electric charges.

Workstation guidelines

Follow these grounding workstation guidelines:

- Cover the workstation with approved static-shielding material.
- Use a wrist strap connected to a properly grounded work surface and use properly grounded tools and equipment.
- Use conductive field service tools, such as cutters, screwdrivers, and vacuums.
- When fixtures must directly contact dissipative surfaces, use fixtures made only of static-safe materials.
- Keep the work area free of nonconductive materials, such as ordinary plastic assembly aids and Styrofoam.
- Handle ESD-sensitive components, parts, and assemblies by the case or PCM laminate. Handle these items only at static-free workstations.
- Avoid contact with pins, leads, or circuitry.
- Turn off power and input signals before inserting or removing connectors or test equipment.

Equipment guidelines

Grounding equipment must include either a wrist strap or a foot strap at a grounded workstation.

- When seated, wear a wrist strap connected to a grounded system. Wrist straps are flexible straps with a minimum of one megohm $\pm 10\%$ resistance in the ground cords. To provide proper ground, wear a strap snugly against the skin at all times. On grounded mats with banana-plug connectors, use alligator clips to connect a wrist strap.
- When standing, use foot straps and a grounded floor mat. Foot straps (heel, toe, or boot straps) can be used at standing workstations and are compatible with most types of shoes or boots. On conductive floors or dissipative floor mats, use foot straps on both feet with a minimum of one megohm resistance between the operator and ground. To be effective, the conductive strips must be worn in contact with the skin.

The following grounding equipment is recommended to prevent electrostatic damage:

- Antistatic tape
- Antistatic smocks, aprons, and sleeve protectors
- Conductive bins and other assembly or soldering aids
- Non-conductive foam
- Conductive tabletop workstations with ground cords of one megohm resistance
- Static-dissipative tables or floor mats with hard ties to the ground
- Field service kits
- Static awareness labels
- Material-handling packages
- Non-conductive plastic bags, tubes, or boxes
- Metal tote boxes
- Electrostatic voltage levels and protective materials

The following table lists the shielding protection provided by antistatic bags and floor mats.

Material	Use	Voltage protection level
Antistatic plastic	Bags	1,500 V
Carbon-loaded plastic	Floor mats	7,500 V
Metallized laminate	Floor mats	5,000 V

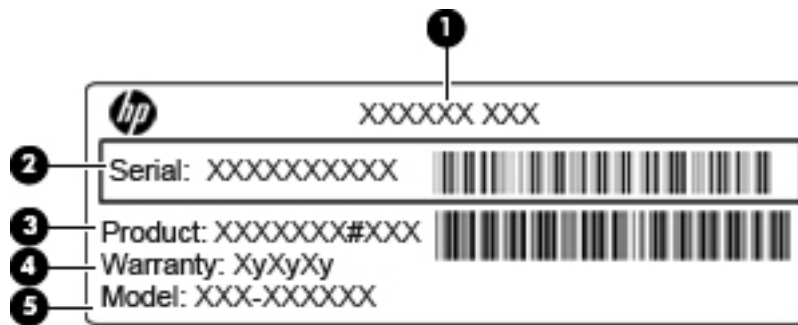
Component replacement procedures

This chapter provides removal and replacement procedures.

There are as many as 75 screws, in 12 different sizes, that must be removed, replaced, or loosened when servicing the computer. Make special note of each screw size and location during removal and replacement.

Serial number

The serial number label, located in the battery bay of the computer, provides important information that you may need when contacting technical support.

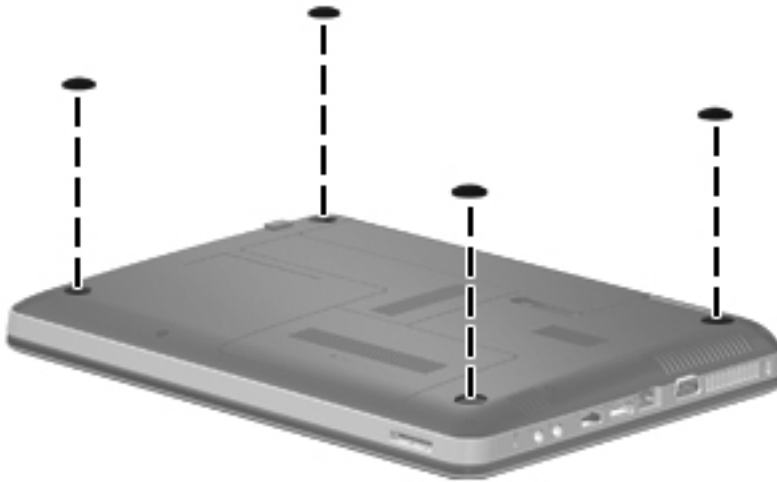


- Product name **(1)**. This is the product name affixed to the front of the computer.
- Serial number (s/n) **(2)**. This is an alphanumeric identifier that is unique to each product.
- Part number/Product number (p/n) **(3)**. This number provides specific information about the product's hardware components. The part number helps a service technician to determine what components and parts are needed.
- Warranty period **(4)**. This number describes the duration (in years) of the warranty period for the computer.
- Model description **(5)**. This is the alphanumeric identifier used to locate documents, drivers, and support for the computer.

Computer feet

Description	Spare part number
Rubber Feet Kit	608228-001

The computer feet are adhesive-backed rubber pads. The feet attach to the base enclosure in the locations illustrated below.



Battery

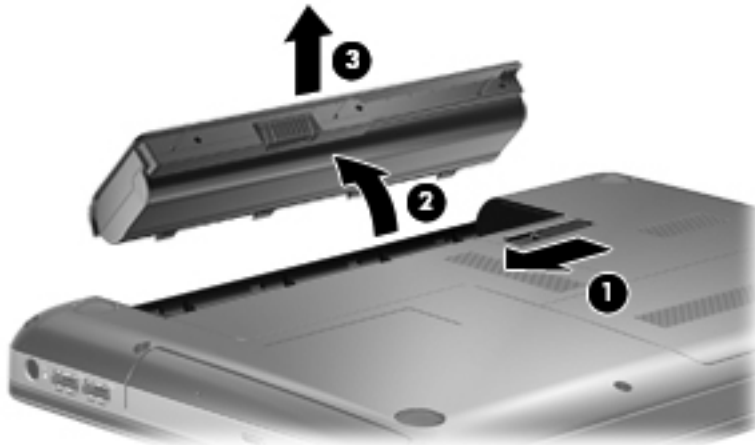
Description	Spare part number
6-cell, 47-WHr (2.20-Ah) Li-ion	593553-001
6-cell, 55-WHr (2.55Ah) Li-ion	593554-001

Before disassembling the computer, follow these steps:

1. Shut down the computer. If you are unsure whether the computer is off or in Hibernation, turn the computer on, and then shut it down through the operating system.
2. Disconnect all external devices connected to the computer.
3. Disconnect the power from the computer by first unplugging the power cord from the AC outlet and then unplugging the AC adapter from the computer.

Remove the battery:

1. Turn the computer upside down on a flat surface.
2. Slide the battery release latch **(1)** to release the battery.
3. Pivot the battery **(2)** upward and lift it out of the computer **(3)**.



To insert the battery, insert the rear edge of the battery into the battery bay and pivot the front edge downward until the battery is seated. The battery release latch automatically locks the battery into place.

Memory module

Description	Spare part number
4-GB, PC3 10600, 1333-MHz	599092-001
2-GB, PC3 10600, 1333-MHz	598856-001
1-GB, PC3 10600, 1333-MHz	598859-001

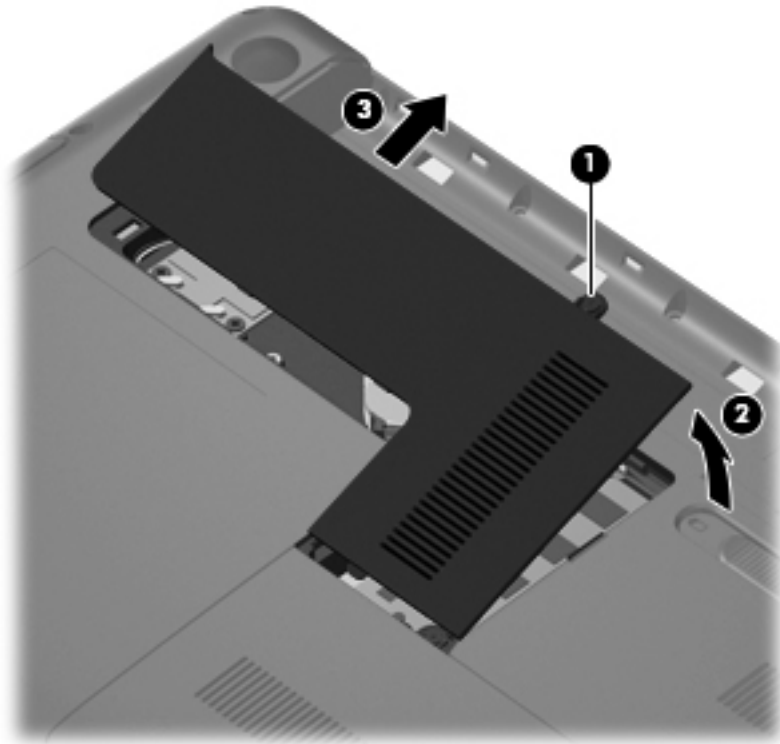
Before removing the memory module, follow these steps:

1. Shut down the computer. If you are unsure whether the computer is off or in Hibernation, turn the computer on, and then shut it down through the operating system.
2. Disconnect all external devices connected to the computer.
3. Disconnect the power from the computer by first unplugging the power cord from the AC outlet and then unplugging the AC adapter from the computer.
4. Remove the battery (see [Battery on page 40](#)).

Remove the memory module:


1. Turn the computer upside down with the front toward you.
2. Remove the Phillips PM2.5×5.0 screw **(1)** that secures the memory/wireless module compartment cover to the computer.

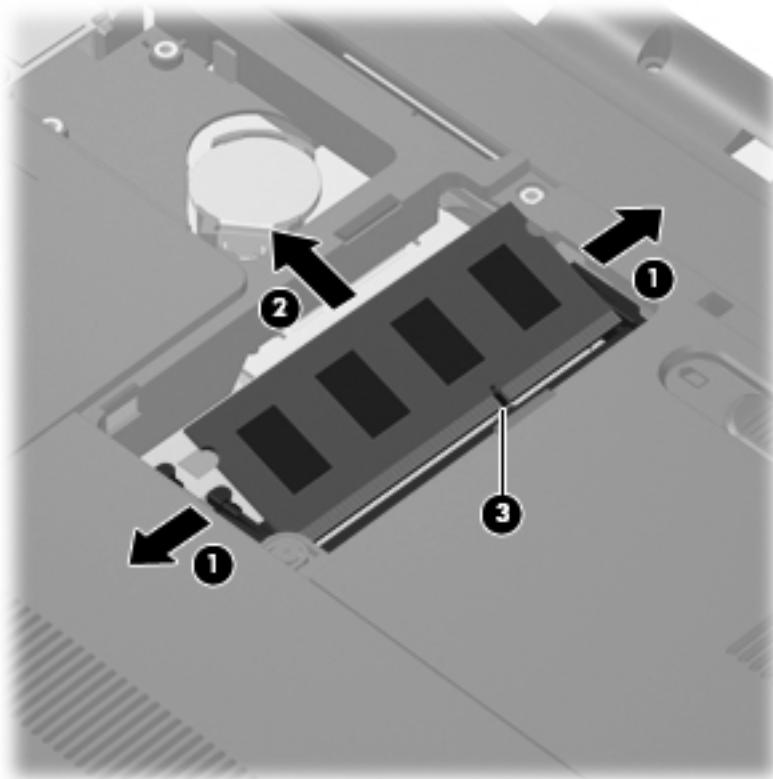
3. Lift the cover **(2)** and remove it **(3)**. The memory/wireless compartment cover is included in the Plastics Kit, spare part number 608023-001.



4. Spread the retaining tabs **(1)** on each side of the memory module slot to release the memory module. (The edge of the module opposite the slot rises away from the computer.)

5. Remove the module **(2)** by pulling it away from the slot at an angle.

 **NOTE:** Memory modules are designed with a notch **(3)** to prevent incorrect insertion into the memory module slot.



Reverse this procedure to install a memory module.

RTC battery

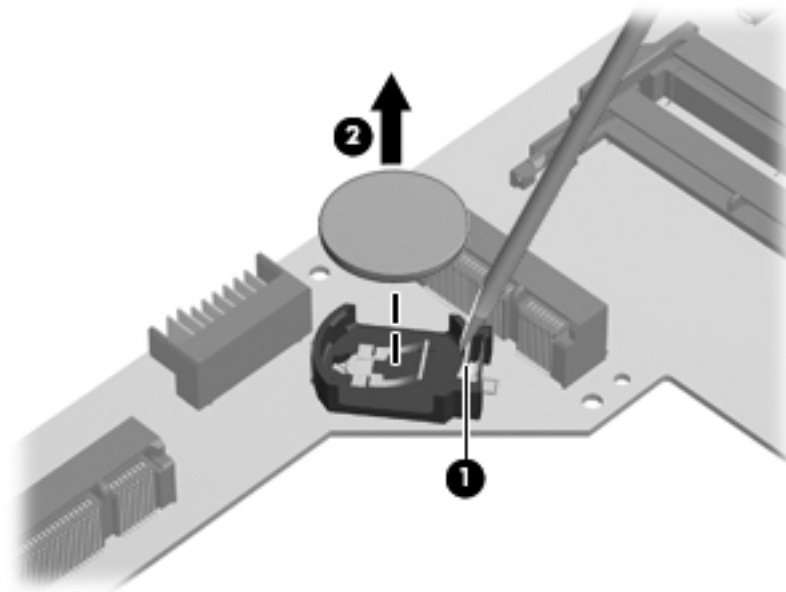
Description	Spare part number
RTC battery	449137-001

Before removing the RTC battery, follow these steps:

1. Shut down the computer. If you are unsure whether the computer is off or in Hibernation, turn the computer on, and then shut it down through the operating system.
2. Disconnect all external devices connected to the computer.
3. Disconnect the power from the computer by first unplugging the power cord from the AC outlet and then unplugging the AC adapter from the computer.
4. Remove the battery (see [Battery on page 40](#)).
5. Hard drive cover (see [Hard drive on page 50](#))


Remove the RTC battery:

1. Turn the system board upside down.
2. Release the RTC battery from the clips on the system board **(1)**.
3. Remove the RTC battery **(2)**.



Reverse this procedure to install the RTC battery.

WLAN module

 **NOTE:** The WLAN module and the WWAN module are not interchangeable.

Description	Spare part number
Atheros AR9285 802.11 a/b/g/n 2x2 WiFi adapter	580101-002
<p>For use in Afghanistan, Albania, Algeria, Andorra, Angola, Antigua and Barbuda, Argentinian, Armenia, Australia, Austria, Azerbaijan, Bahamas, Bahrain, Barbados, Belgium, Belize, Benin, Bhutan, Bosnia and Herzegovina, Botswana, Brazil, Brunei, Bulgaria, Burkina Faso, Burundi, Cambodia, Cameroon, Cape Verde, Central African Republic, Chad, Chile, People's Republic of China, Colombia, Comoros, Congo, Costa Rica, Croatia, Cyprus, Czech Republic, Zaire, Denmark, Djibouti, Dominica, Dominican Republic, Ecuador, Egypt, El Salvador, Equatorial Guinea, Eritrea, Estonia, Ethiopia, Fiji, Finland, France, Gabon, Gambia, Georgia, Germany, Ghana, Gibraltar, Greece, Grenada, Guatemala, Guinea, Guinea-Bissau, Guyana, Haiti, Honduras, Hong Kong, Hungary, Iceland, India, Indonesia, Ireland, Italy, Ivory Coast, Jamaica, Japan, Jordan, Kazakhstan, Kenya, Kiribati, Korea-South, Kuwait, Kyrgyzstan, Laos, Latvia, Lebanon, Lesotho, Liberia, Martinique, Nether Antilles, French Guiana, Aruba, British Virgin Islands, Bermuda, Syria, Guadeloupe, Liechtenstein, Lithuania, Luxembourg, Macedonia, Madagascars, Malawi, Malaysia, Maldives, Mali, Malta, Marshall Islands, Mauritania, Mauritius, Mexico, Micronesia, Monaco, Mongolia, Montenegro, Morocco, Mozambique, Namibia, Nauru, Nepal, Netherlands, New Zealand, Nicaragua, Niger, Nigeria, Norway, Oman, Palau, Panama, Papua New Guinea, Paraguay, Peru, Philippines, Poland, Portugal, Republic of Moldova, Romania, Rwanda, Samoa, San Marino, Sao Tome and Principe, Saudi Arabia, Senegal, Serbia and Montenegro, Seychelles, Sierra Leone, Singapore, Slovakia, Slovenia, Solomon Islands, Somalia, South Africa, Spain, Sri Lanka, St. Kitts and Nevis, St. Lucia, St. Vincent and Gren, Suriname, Swaziland, Sweden, Switzerland, Taiwan, Tajikistan, Tanzania, Thailand, Timor (East), Togo, Tonga, Trinidad and Tobago, Tunisia, Turkey, Turkmenistan, Tuvalu, Uganda, United Arab Emirates, United Kingdom, Uruguay, Uzbekistan, Vanuatu, Venezuela, Vietnam, Yemen, Zambia, and Zimbabwe</p>	
Intel Centrino Wireless-N 1000 802.11b/g/n 1x2	593530-001
<p>For use in Andorra, Antigua and Barbuda, Argentina, Aruba, Australia, Austria, Azerbaijan, Bahamas, Bahrain, Barbados, Belgium, Bermuda, Bolivia, Bosnia and Herzegovina, Brazil, Brunei, Bulgaria, Canada, the Cayman Islands, Chile, People's Republic of China, Colombia, Costa Rica, Croatia, Cyprus, the Czech Republic, Denmark, the Dominican Republic, Ecuador, Egypt, El Salvador, Estonia, Finland, France, French Guiana, Georgia, Germany, Ghana, Greece, Guadeloupe, Guam, Guatemala, Haiti, Honduras, Hong Kong, Hungary, Iceland, India, Indonesia, Ireland, Israel, Italy, Ivory Coast, Jamaica, Japan, Jordan, Kenya, Kuwait, Kyrgyzstan, Latvia, Lebanon, Liechtenstein, Lithuania, Luxembourg, Malawi, Malaysia, Malta, Martinique, Mauritius, Mexico, Monaco, Montenegro, Morocco, the Nether Antilles, Netherlands, New Zealand, Nicaragua, Nigeria, Norway, Oman, Pakistan, Panama, Paraguay, Peru, Philippines, Poland, Portugal, Puerto Rico, Qatar, Romania, San Marino, Saudi Arabia, Senegal, Singapore, Slovakia, Slovenia, South Africa, South Korea, Spain, Sri Lanka, Sweden, Switzerland, Taiwan, Tanzania, Thailand, Trinidad and Tobago, Turkey, Ukraine, United Arab Emirates, United Kingdom, Uruguay, the US Virgin Islands, the United States, Venezuela, and Vietnam</p>	

Description	Spare part number
<p>Realtek RTL8191SE 802.11b/g/n WiFi Adapter</p> <p>For use in Albania, Algeria, Andorra, Angola, Antigua and Barbuda, Argentina, Armenia, Aruba, Australia, Austria, Azerbaijan, Bahamas Bahrain, Bangladesh, Barbados, Belarus, Belgium, Belize, Benin, Bermuda, Bhutan, Bolivia, Bosnia and Herzegovina, Botswana, Brazil, British Virgin Islands, Brunei, Bulgaria, Burkina Faso, Burundi, Cambodia, Cameroon, Canada, Cape Verde, Cayman Islands, Central African Republic, Chad, Chile, People's Republic of China, Colombia, Comoros, Congo, Costa Rica, Croatia, Cyprus, the Czech Republic, Denmark, Djibouti, Dominica, Dominican Republic, East Timor, Ecuador, Egypt, El Salvador, Equatorial Guinea, Eritrea, Estonia, Ethiopia, Fiji, Finland, France, French Guiana, Gabon, Gambia, Georgia, Germany, Ghana, Gibraltar, Greece Grenada, Guadeloupe, Guam, Guatemala, Guinea, Guinea-Bissau, Guyana, Haiti, Honduras, Hong Kong, Hungary, Iceland, India, Indonesia, Iraq, Ireland, Israel, Italy, Ivory Coast, Jamaica, Japan, Jordan, Kazakhstan, Kenya, Kiribati, Kuwait, Kyrgyzstan, Laos, Latvia, Lebanon, Lesotho, Liberia, Liechtenstein, Lithuania, Luxembourg, Macedonia, Madagascar, Malawi, Malaysia, Maldives, Mali, Malta, Marshall Islands, Martinique, Mauritania, Mauritius, Mexico, Micronesia, Monaco, Mongolia, Montenegro, Morocco, Mozambique, Namibia, Nauru, Nepal, Nether Antilles, Netherlands, New Zealand Nicaragua, Niger, Nigeria, Norway, Oman, Pakistan, Palau, Panama, Papua New Guinea, Paraguay, Peru, Philippines, Poland, Portugal, Puerto Rico, Qatar, Republic of Moldova, Romania, Russia, Rwanda, Samoa, San Marino, Sao Tome and Principe, Saudi Arabia, Senegal, Serbia and Montenegro, Seychelles, Sierra Leone, Singapore, Slovakia, Slovenia, Solomon Islands, Somalia, South Africa, South Korea, Spain, Sri Lanka, St. Kitts and Nevis, St. Lucia, St. Vincent and Grenadine, Suriname, Swaziland, Sweden, Switzerland, Syria, Taiwan, Tajikistan, Tanzania, Thailand, Togo, Tonga, Trinidad and Tobago, Tunisia, Turkey, Turkmenistan, Tuvalu, Uganda, Ukraine, United Arab Emirates, the United Kingdom, Uruguay, the US Virgin Islands, the United States, Uzbekistan, Vanuatu, Venezuela, Vietnam, Yemen, Zaire, Zambia, and Zimbabwe</p>	593533-001
<p>Broadcom 4313AGN 802.11a/b/g/draft-n WiFi Adapter</p> <p>For use in Afghanistan, Albania, Algeria, Andorra, Angola, Antigua and Barbuda, Argentina, Armenia, Aruba, Australia, Austria, Azerbaijan, Bahamas, Bahrain, Bangladesh, Barbados, Belarus, Belgium, Belize, Benin, Bermuda, Bhutan, Bolivia, Bosnia and Herzegovina, Botswana, Brazil, the British Virgin Islands, Brunei, Bulgaria, Burkina Faso, Burundi, Cambodia, Cameroon, Canada, Cape Verde, the Cayman Islands, Central African Republic, Chad, People's Republic of China, Colombia, Comoros, Congo, Costa Rica, Croatia, Cyprus, the Czech Republic, Denmark, Djibouti, Dominica, the Dominican Republic, East Timor, Ecuador, Egypt, El Salvador, Equatorial Guinea, Eritrea, Estonia, Ethiopia, Fiji, Finland, France, French Guiana, Gabon, Gambia, Georgia, Germany, Ghana, Gibraltar, Greece, Grenada, Guadeloupe, Guam, Guatemala, Guinea, Guinea-Bissau, Guyana, Haiti, Honduras, Hong Kong, Hungary, Iceland, India, Iraq, Ireland, Israel, Italy, Ivory Coast, Jamaica, Japan, Jordan, Kazakhstan, Kenya, Kiribati, Kuwait, Kyrgyzstan, Laos, Latvia, Lebanon, Lesotho, Liberia, Martinique, Liechtenstein, Lithuania, Luxembourg, Macedonia, Madagascar, Malawi, Malaysia, Maldives, Mali, Malta, Marshall Islands, Mauritania, Mauritius, Mexico, Micronesia, Monaco, Mongolia, Montenegro, Morocco, Mozambique, Namibia, Nauru, Nepal, the Nether Antilles, the Netherlands, New Zealand, Nicaragua, Niger, Nigeria, Norway, Oman, Pakistan, Palau, Panama, Papua New Guinea, Paraguay, Puerto Rico, Peru, Philippines, Poland, Portugal, Qatar, Republic of Moldova, Romania, Russia, Rwanda, Samoa, San Marino, Sao Tome and Principe, Saudi Arabia, Senegal, Serbia and Montenegro, Seychelles, Sierra Leone, Singapore, Slovakia, Slovenia, Solomon Islands, Somalia, South Africa, South Korea, Spain, Sri Lanka, St. Kitts and Nevis, St. Lucia, St. Vincent and the Grenadines, Suriname, Swaziland, Sweden, Switzerland, Syria, Taiwan, Tajikistan, Tanzania, Thailand, Togo, Tonga, Trinidad and Tobago, Tunisia, Turkey, Turkmenistan, Tuvalu, Uganda, Ukraine, the United Arab Emirates, the United Kingdom, Uruguay, the United States, the US Virgin Islands, Uzbekistan, Vanuatu, Venezuela, Vietnam, Yemen, Zaire, Zambia, and Zimbabwe</p>	593836-001

Description	Spare part number
<p data-bbox="277 260 1110 285">Broadcom 4313 802.11b/g/n 1x1 WiFi and 2070 Bluetooth 2.1+EDR Combo Adapter</p> <p data-bbox="277 312 1257 978">For use in Afghanistan, Albania, Algeria, Andorra, Angola, Antigua and Barbuda, Argentina, Armenia, Aruba, Australia, Austria, Azerbaijan, Bahamas, Bahrain, Bangladesh, Barbados, Belarus, Belgium, Belize, Benin, Bermuda, Bhutan, Bolivia, Bosnia and Herzegovina, Botswana, Brazil, British Virgin Islands, Brunei, Bulgaria, Burkina Faso, Burundi, Cambodia, Cameroon, Canada, Cape Verde, the Cayman Islands, Central African Republic, Chad, Chile, the People's Republic of China, Colombia, Comoros, Congo, Costa Rica, Croatia, Cyprus, the Czech Republic, Denmark, Djibouti, Dominica, the Dominican Republic, East Timor, Ecuador, Egypt, El Salvador, Equatorial Guinea, Eritrea, Estonia, Ethiopia, Fiji, Finland, France, French Guiana, Gabon, Gambia, Georgia, Germany, Ghana, Gibraltar, Greece, Grenada, Guadeloupe, Guam, Guatemala, Guinea, Guinea-Bissa, Guyana, Haiti, Honduras, Hong Kong, Hungary, Iceland, India, Indonesia, Iraq, Ireland, Israel, Italy, Ivory Coast, Jamaica, Japan, Jordan, Kazakhstan, Kenya, Kiribati, Kuwait, Kyrgyzstan, Laos, Latvia, Lebanon, Lesotho, Liberia, Liechtenstein, Lithuania, Luxembourg, Macedonia, Madagascar, Malawi, Malaysia, Maldives, Mali, Malta, the Marshall Islands, Martinique, Mauritania, Mauritius, Mexico, Micronesia, Monaco, Mongolia, Montenegro, Morocco, Mozambique, Namibia, Nauru, Nepal, the Nether Antilles, the Netherlands, New Zealand, Nicaragua, Niger, Nigeria, Norway, Oman, Pakistan, Palau, Panama, Papua New Guinea, Paraguay, Peru, the Philippines, Poland, Portugal, Puerto Rico, the Republic of Moldova, Romania, Russia, Rwanda, Samoa, San Marino, Sao Tome and Principe, Saudi Arabia, Senegal, Serbia and Montenegro, Seychelles, Sierra Leone, Singapore, Slovakia, Slovenia, the Solomon Islands, Somalia, South Africa, South Korea, Spain, Sri Lanka, St. Kitts and Nevis, St. Lucia, St. Vincent and Grenadines, Suriname, Swaziland, Sweden, Switzerland, Syria, Taiwan, Tajikistan, Tanzania, Thailand, Togo, Tonga, Trinidad and Tobago, Tunisia, Turkey, Turkmenistan, Tuvalu, Uganda, Ukraine, the United Arab Emirates, the United Kingdom, Uruguay, the US Virgin Islands, the United States, Uzbekistan, Vanuatu, Venezuela, Vietnam, Yemen, Zaire, Zambia, and Zimbabwe</p>	600370-001
<p data-bbox="277 1005 1070 1031">Realink RT3090BC4 802.11b/g/n 11 WiFi and Bluetooth 2.1+EDR Combo Adapter</p> <p data-bbox="277 1058 1257 1724">For use in Afghanistan, Albania, Algeria, Andorra, Angola, Antigua and Barbuda, Argentina, Armenia, Aruba, Australia, Austria, Azerbaijan, Bahamas, Bahrain, Barbados, Belarus, Belgium, Belize, Benin, Bermuda, Bhutan, Bolivia, Bosnia and Herzegovina, Botswana, Brazil, British Virgin Islands, Brunei, Bulgaria, Burkina Faso, Burundi, Cambodia, Cameroon, Canada, Cape Verde, the Cayman Islands, Central African Republic, Chad, Chile, the People's Republic of China, Colombia, Comoros, Congo, Costa Rica, Croatia, Cyprus, the Czech Republic, Denmark, Djibouti, Dominica, the Dominican Republic, East Timor, Ecuador, Egypt, El Salvador, Equatorial Guinea, Eritrea, Estonia, Ethiopia, Fiji, Finland, France, French Guiana, Gabon, Gambia, Georgia, Germany, Ghana, Gibraltar, Greece, Grenada, Guadeloupe, Guam, Guatemala, Guinea, Guinea-Bissa, Guyana, Haiti, Honduras, Hong Kong, Hungary, Iceland, India, Indonesia, Ireland, Israel, Italy, Ivory Coast, Jamaica, Japan, Jordan, Kazakhstan, Kenya, Kiribati, Kuwait, Kyrgyzstan, Laos, Latvia, Lebanon, Lesotho, Liberia, Liechtenstein, Lithuania, Luxembourg, Macedonia, Madagascar, Malawi, Malaysia, Maldives, Mali, Malta, the Marshall Islands, Martinique, Mauritania, Mauritius, Mexico, Micronesia, Monaco, Mongolia, Montenegro, Morocco, Mozambique, Namibia, Nauru, Nepal, the Nether Antilles, the Netherlands, New Zealand, Nicaragua, Niger, Nigeria, Norway, Oman, Pakistan, Palau, Panama, Papua New Guinea, Paraguay, Peru, the Philippines, Poland, Portugal, Puerto Rico, the Republic of Moldova, Romania, Russia, Rwanda, Samoa, San Marino, Sao Tome and Principe, Saudi Arabia, Senegal, Serbia and Montenegro, Seychelles, Sierra Leone, Singapore, Slovakia, Slovenia, the Solomon Islands, Somalia, South Africa, South Korea, Spain, Sri Lanka, St. Kitts and Nevis, St. Lucia, St. Vincent and Grenadines, Suriname, Swaziland, Sweden, Switzerland, Syria, Taiwan, Tajikistan, Tanzania, Thailand, Togo, Tonga, Trinidad and Tobago, Tunisia, Turkey, Turkmenistan, Tuvalu, Uganda, Ukraine, the United Arab Emirates, the United Kingdom, Uruguay, the US Virgin Islands, the United States, Uzbekistan, Vanuatu, Venezuela, Vietnam, Yemen, Zaire, Zambia, and Zimbabwe</p>	602992-001

Before removing the WLAN module, follow these steps:

1. Shut down the computer. If you are unsure whether the computer is off or in Hibernation, turn the computer on, and then shut it down through the operating system.
2. Disconnect all external devices connected to the computer.
3. Disconnect the power from the computer by first unplugging the power cord from the AC outlet and then unplugging the AC adapter from the computer.
4. Remove the battery (see [Battery on page 40](#)).
5. Remove the memory/wireless module compartment cover (see [Memory module on page 41](#)).

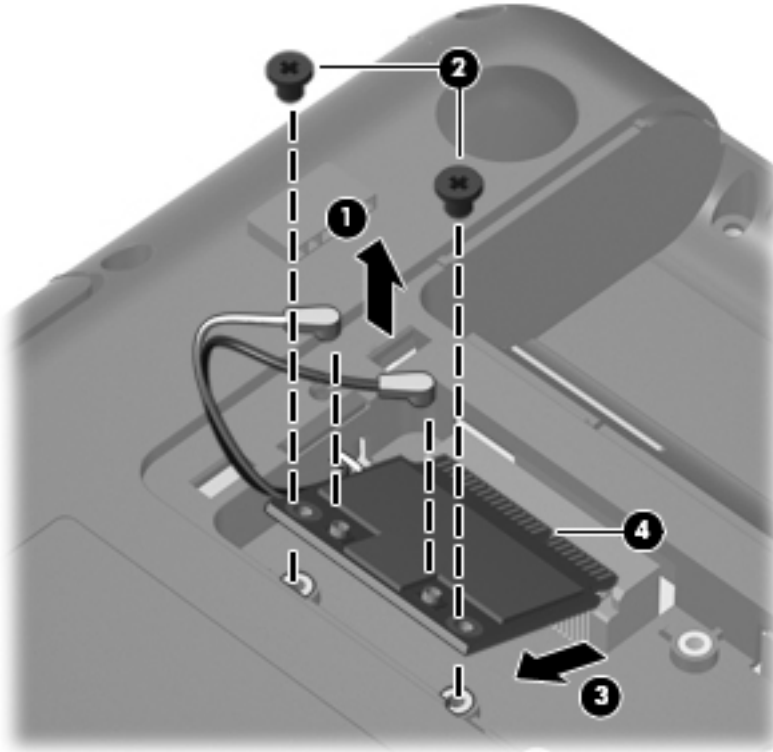
Remove the WLAN module:

1. Turn the computer upside down with the front toward you.
2. Disconnect the two WLAN antenna cables **(1)** from the WLAN module.
3. Remove the two Phillips PM2.0×4.0 screws **(2)** that secure the WLAN module to the computer. (The edge of the module opposite the slot rises away from the computer.)

4. Remove the WLAN module **(3)** by pulling it away from the slot at an angle.


△ **CAUTION:** To prevent an unresponsive system, replace the wireless module only with a wireless module authorized for use in the computer by the governmental agency that regulates wireless devices in your country or region. If you replace the module and then receive a warning message, remove the module to restore computer functionality, and then contact technical support through Help and Support.

📄 **NOTE:** WLAN modules are designed with a notch **(4)** to prevent incorrect insertion into the WLAN module slot.



Reverse this procedure to install a WLAN module.

Hard drive

 **NOTE:** All hard drive spare part kits include a hard drive bracket.

NOTE: The hard drive cable is included in the Misc Cable Kit, spare part number 608009-001.

Description	Spare part number
500-GB, 7200 RPM	608014-001
320-GB, 7200 RPM	608013-001
250-GB, 7200 RPM	608012-001
160-GB solid-state drive	608011-001
Hard drive hardware kit (includes screws and hard drive bracket)	608015-001

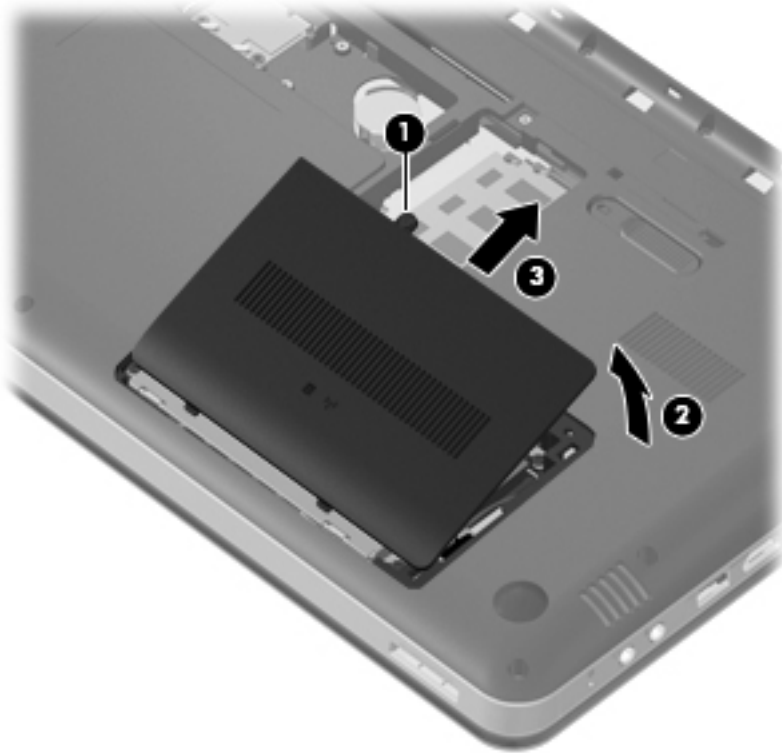
Before removing the hard drive, follow these steps:

1. Shut down the computer. If you are unsure whether the computer is off or in Hibernation, turn the computer on, and then shut it down through the operating system.
2. Disconnect all external devices connected to the computer.
3. Disconnect the power from the computer by first unplugging the power cord from the AC outlet and then unplugging the AC adapter from the computer.
4. Remove the battery (see [Battery on page 40](#)).
5. Remove the memory/wireless module compartment cover (see [Memory module on page 41](#)).

Remove the hard drive:

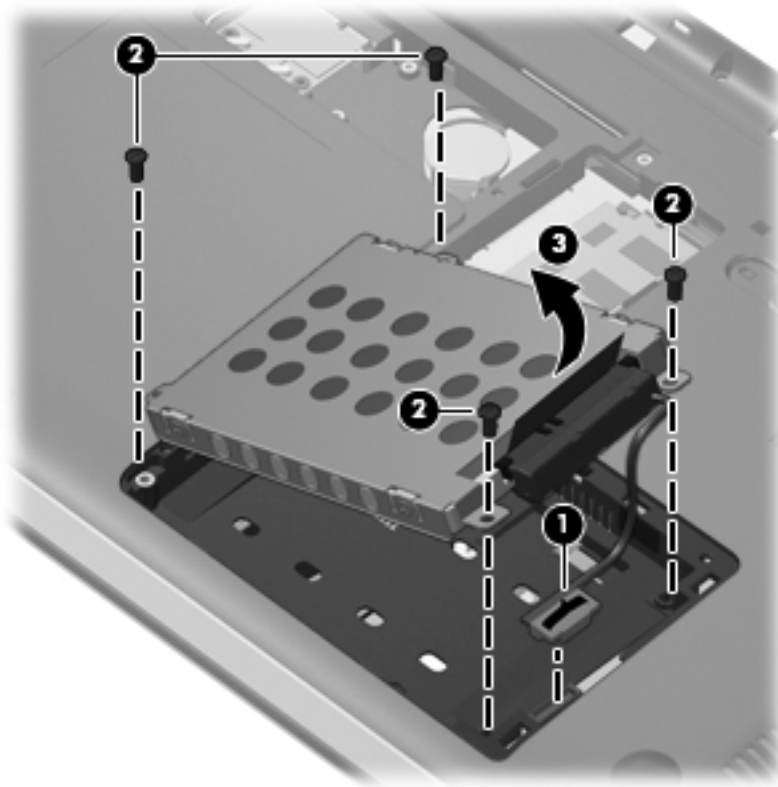
1. Position the computer with the front toward you.
2. Remove the Phillips PM2.5×5.0 screw **(1)** that secures the hard drive cover to the computer.

3. Lift the hard drive cover **(2)** and remove it from the computer **(3)**. The hard drive cover is included in the Plastics Kit, spare part number 608023-001.

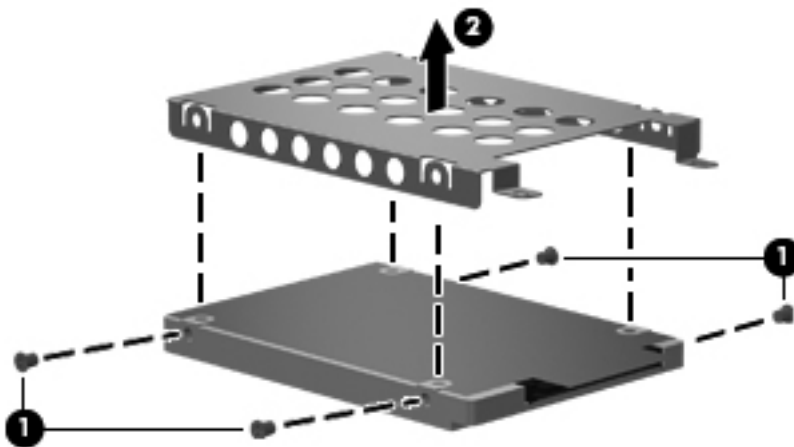


4. Disconnect the hard drive cable from the system board **(1)**.
5. Remove the four Phillips PM2.5×8.0 screws **(2)** that secure the hard drive to the computer.

6. Use the Mylar tab to lift the hard drive out of the hard drive bay **(3)**.



7. If it is necessary to replace the hard drive bracket, remove the four Phillips PM3.0×3.0 screws **(1)** that secure the hard drive bracket to the hard drive
8. Lift the bracket **(2)** straight up and off the hard drive.



Reverse this procedure to install the hard drive.

Optical drive

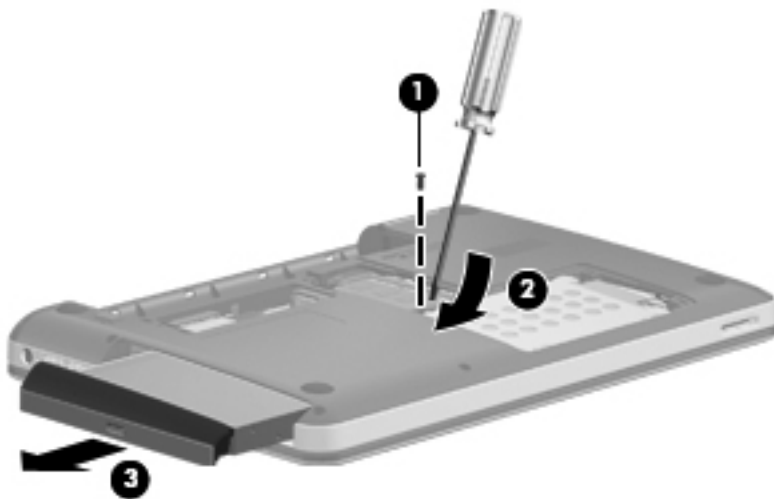
Description	Spare part number
DVD±RW SuperMulti DL Drive with LightScribe	608021-001
Blu-ray ROM with LightScribe DVD±R/RW SuperMulti DL Drive	608022-001

Before removing the optical drive, follow these steps:

1. Shut down the computer. If you are unsure whether the computer is off or in Hibernation, turn the computer on, and then shut it down through the operating system.
2. Disconnect all external devices connected to the computer.
3. Disconnect the power from the computer by first unplugging the power cord from the AC outlet and then unplugging the AC adapter from the computer.
4. Remove the battery (see [Battery on page 40](#)).
5. Remove the memory/wireless module compartment cover (see [Memory module on page 41](#)).
6. Remove the hard drive cover (see [Hard drive on page 50](#)).

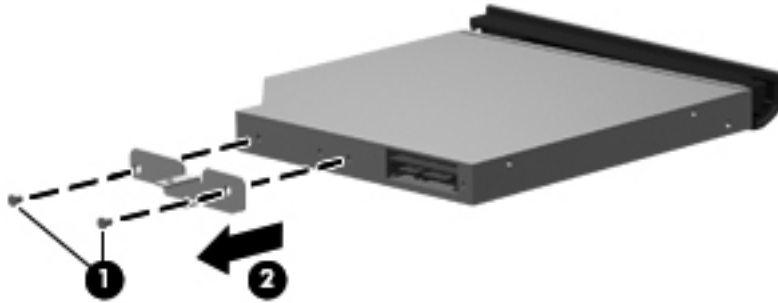
Remove the optical drive:

1. Position the computer upside down with the front toward you.
2. Remove the Phillips PM2.5x5.0 screw **(1)** that secures the optical drive to the computer.
3. Use a flat-bladed screwdriver or similar tool to push the drive bracket to the left **(2)** to release the optical drive.
4. Remove the optical drive **(3)**.



5. If it is necessary to replace the optical drive bracket, position the optical drive with the optical drive bracket toward you.

6. Remove the two Phillips PM2.0×3.0 screws **(1)** that secure the optical drive bracket to the optical drive.
7. Remove the optical drive bracket **(2)**.



Reverse the above procedure to reassemble and install the optical drive.

Top cover

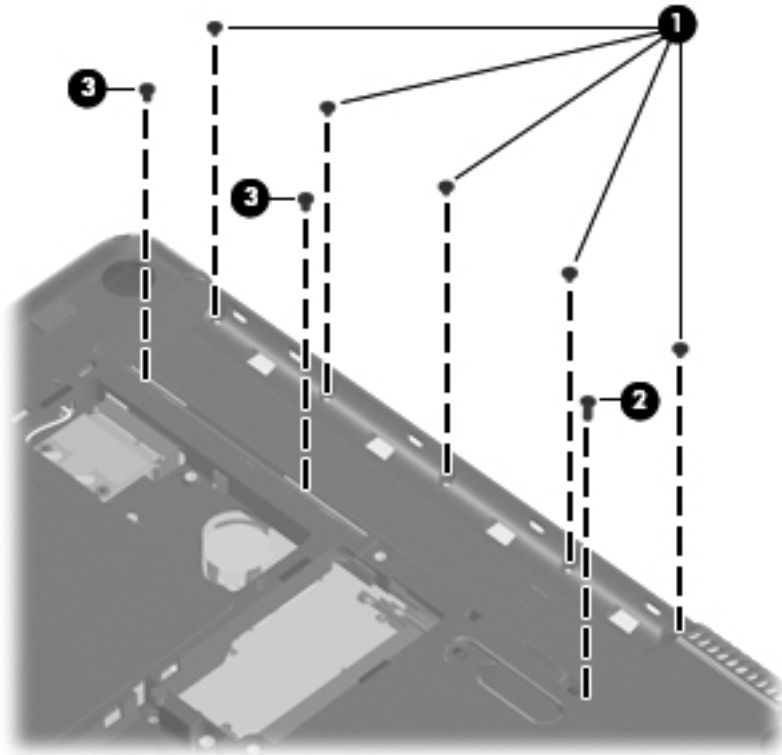
Description	Spare part number
Top cover (includes Touchpad and bracket, button board, and cable)	608030-001

Before removing the top cover, follow these steps:

1. Shut down the computer. If you are unsure whether the computer is off or in Hibernation, turn the computer on, and then shut it down through the operating system.
2. Disconnect all external devices connected to the computer.
3. Disconnect the power from the computer by first unplugging the power cord from the AC outlet and then unplugging the AC adapter from the computer.
4. Remove the following components:
 - a. Battery (see [Battery on page 40](#)).
 - b. Hard drive (see [Hard drive on page 50](#)).
 - c. Optical drive (see [Optical drive on page 53](#)).

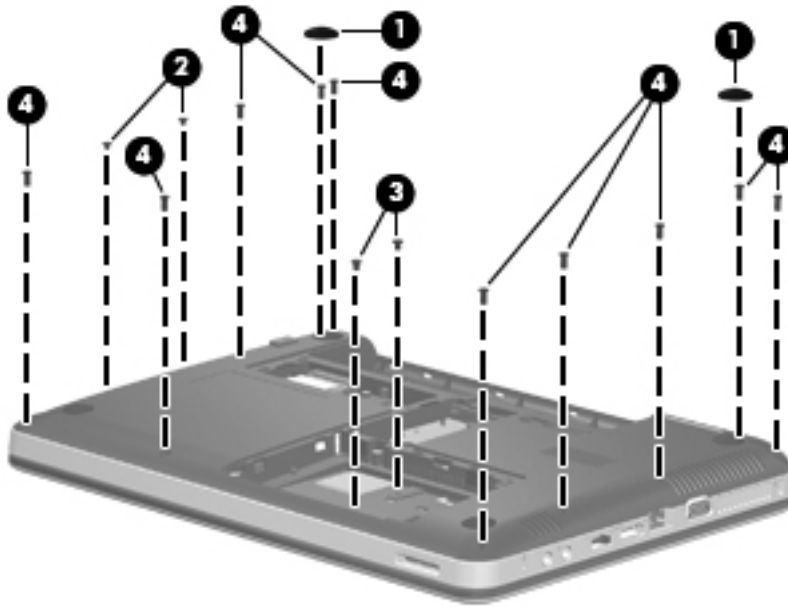
Remove the top cover:

1. Turn the computer upside down with the front toward you.
2. Remove the following screws that secure the top cover to the base enclosure:
 - **(1)** 5 Phillips PM2.0×4.0 screws
 - **(2)** 1 Phillips PM2.5×7.0 screw
 - **(3)** 2 Phillips PM2.5×5.0 screws

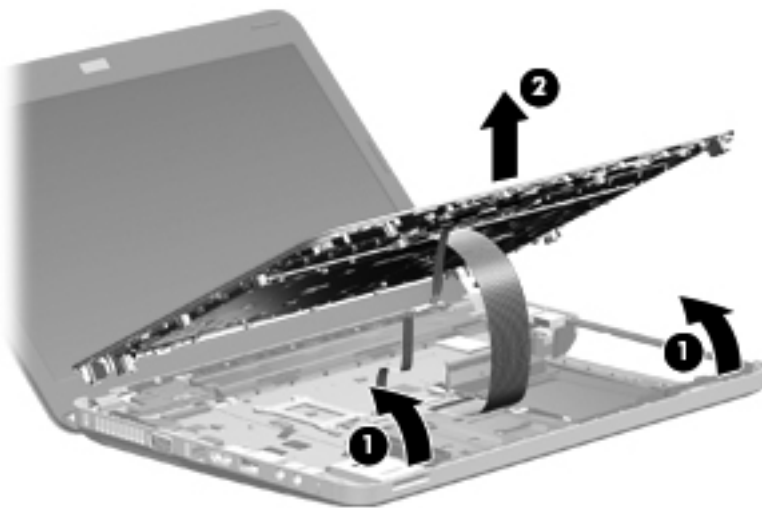


3. Remove the following screws that secure the top cover to the base enclosure:

- **(1)** 2 rubber feet
- **(2)** 2 Phillips PM2.0×3.0 screws (in optical drive bay)
- **(3)** 2 Phillips PM2.5×5.0 screws (in hard drive bay)
- **(4)** 10 Phillips PM2.5×8.0 screws (2 of the screws are under the feet)

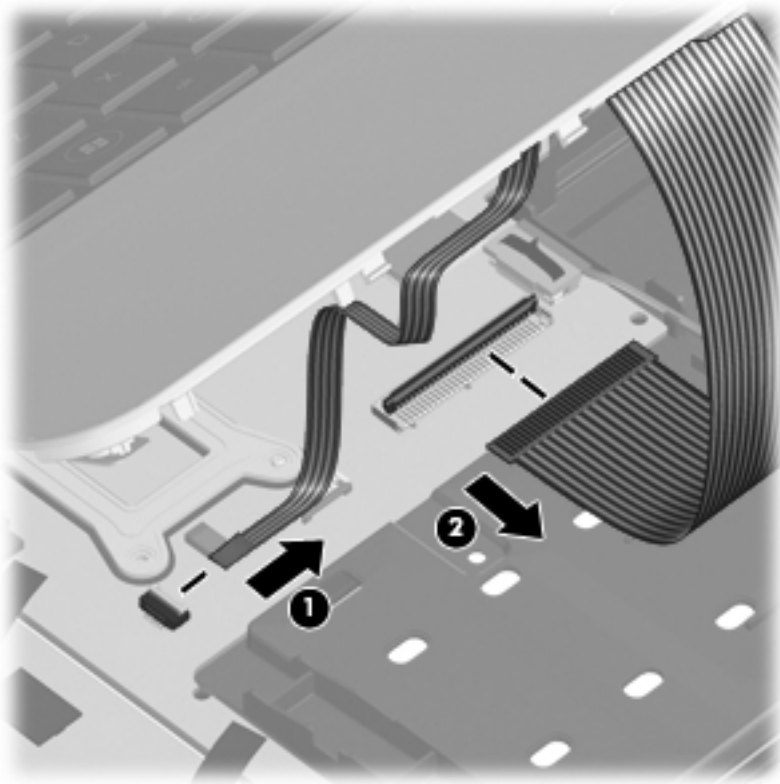


4. Turn the computer right-side up with the front toward you.
5. Open the computer as far as possible.
6. Pry up the edges of the top cover **(1)**, and then lift it up off the base enclosure **(2)** enough to gain access to the cables.



7. Release the ZIF connector to which the TouchPad cable is connected and disconnect the cable from the system board **(1)**.

8. Release the ZIF connector to which the TouchPad button board cable is connected and disconnect the cable from the system board **(2)**.



9. Remove the top cover from the base enclosure.

Reverse this procedure to install the top cover.

Keyboard

Description	Spare part number
Keyboard for use in the United States	608018-001

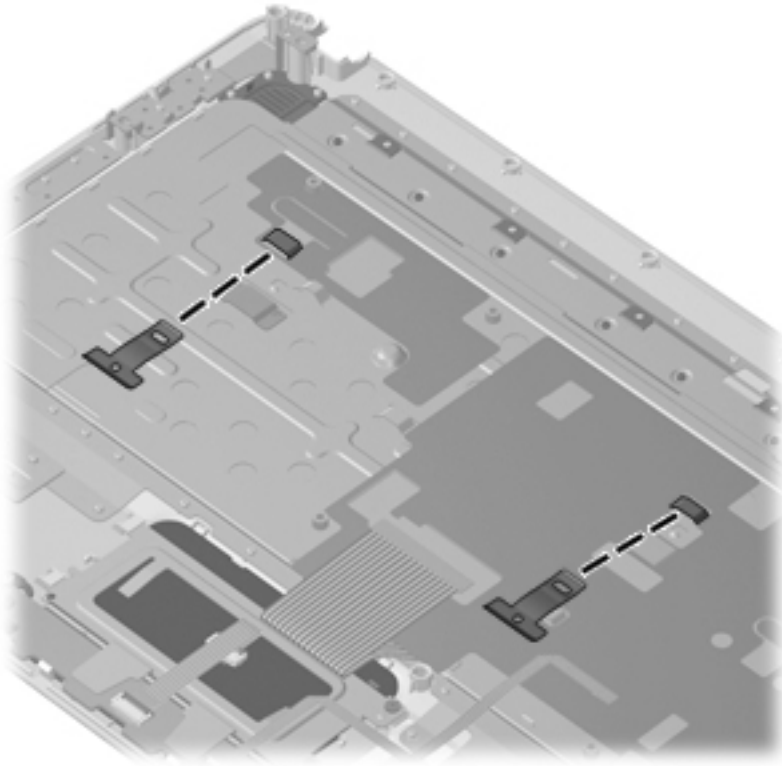
Before removing the keyboard, follow these steps:

1. Shut down the computer. If you are unsure whether the computer is off or in Hibernation, turn the computer on, and then shut it down through the operating system.
2. Disconnect all external devices connected to the computer.
3. Disconnect the power from the computer by first unplugging the power cord from the AC outlet and then unplugging the AC adapter from the computer.
4. Remove the battery (see [Battery on page 40](#)).
5. Remove the memory/wireless compartment cover (see [Memory module on page 41](#)).
6. Remove the hard drive cover (see [Hard drive on page 50](#)).
7. Remove the top cover (see [Top cover on page 54](#)).

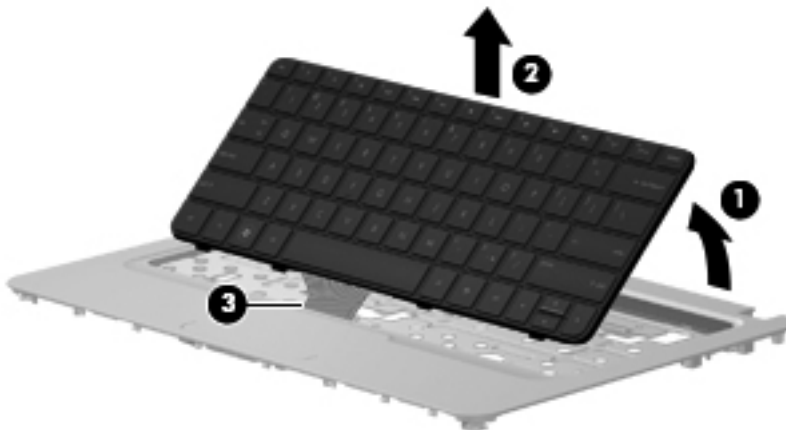
Remove the keyboard:

1. Turn the top cover upside down.

2. Slide the keyboard clips off the bottom of the keyboard.



3. Pry to edges of the keyboard from the top cover (1), and lift the top of the keyboard up from the top cover (2).
4. Slide the keyboard cable through the slot in the top cover (3).



Reverse this procedure to install the keyboard.

USB board

Description	Spare part number
USB board (includes cable)	603922-001

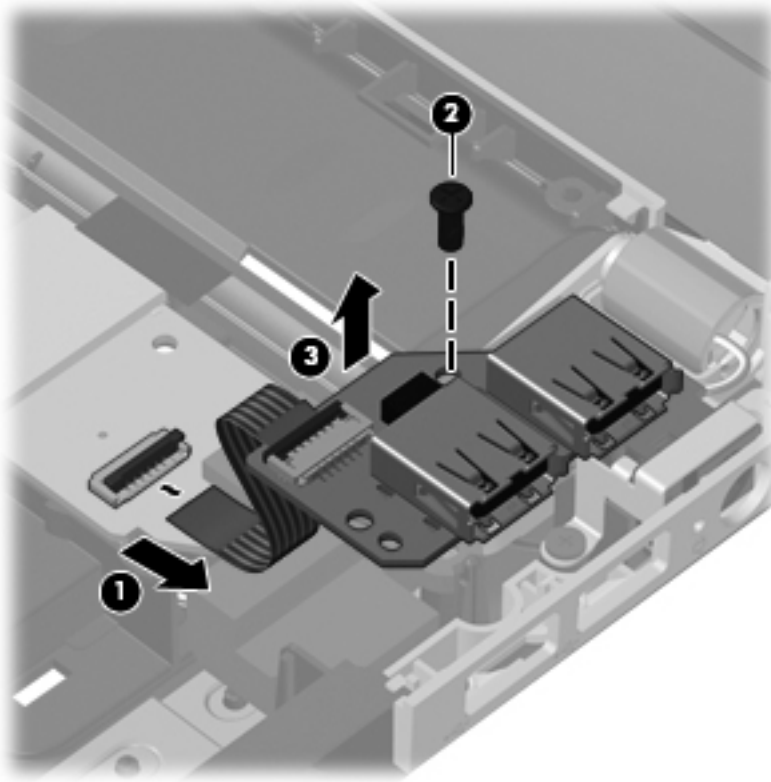
Before removing the USB board, follow these steps:

1. Shut down the computer. If you are unsure whether the computer is off or in Hibernation, turn the computer on, and then shut it down through the operating system.
2. Disconnect all external devices connected to the computer.
3. Disconnect the power from the computer by first unplugging the power cord from the AC outlet and then unplugging the AC adapter from the computer.
4. Remove the battery (see [Battery on page 40](#)).
5. Remove the following components:
 - a. Hard drive (see [Hard drive on page 50](#))
 - b. Optical drive (see [Optical drive on page 53](#))
 - c. Top cover (see [Top cover on page 54](#))

Remove the USB board:

1. Position the computer upright with the right side toward you.
2. If necessary, move the power connector cable aside to gain access to the USB board screw.
3. Disconnect the USB board cable **(1)** from the system board.
4. Remove the Phillips PM2.5×8.0 screw **(2)** that secures the USB board to the base enclosure.

5. Lift the USB board **(3)** straight up to remove it from the computer.



Reverse this procedure to install the USB board.

Speaker assembly

Description	Spare part number
Speaker assembly	608027-001

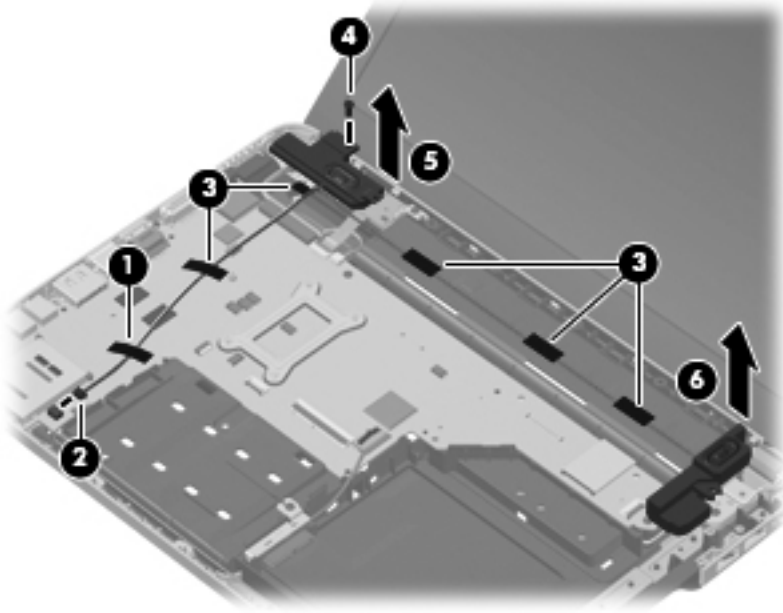
Before removing the speaker assembly, follow these steps:

1. Shut down the computer. If you are unsure whether the computer is off or in Hibernation, turn the computer on, and then shut it down through the operating system.
2. Disconnect all external devices connected to the computer.
3. Disconnect the power from the computer by first unplugging the power cord from the AC outlet and then unplugging the AC adapter from the computer.
4. Remove the battery (see [Battery on page 40](#)).
5. Remove the following components:
 - a. Optical drive (see [Optical drive on page 53](#))
 - b. Keyboard (see [Keyboard on page 58](#))
 - c. Top cover (see [Top cover on page 54](#))

Remove the speaker assembly:


1. Position the computer upright with the front toward you.
2. Remove the tape that secures the cable to the system board **(1)**.
3. Disconnect the speaker cable from the system board **(2)**.
4. Remove the tape that secures the cable to the system board **(3)**.
5. Remove the Phillips PM2.5×5.0 screw **(4)** that secures the speaker assembly to the base enclosure.
6. Lift the left speaker **(5)** straight up to remove it from the base enclosure.

7. Lift the right speaker **(6)** straight up to remove it from the base enclosure.



Reverse this procedure to install the speaker assembly.

Bluetooth module

 **NOTE:** The Bluetooth module cable is included in the Misc Cable Kit, spare part number 608009-001.

Description	Spare part number
Bluetooth module	537921-001

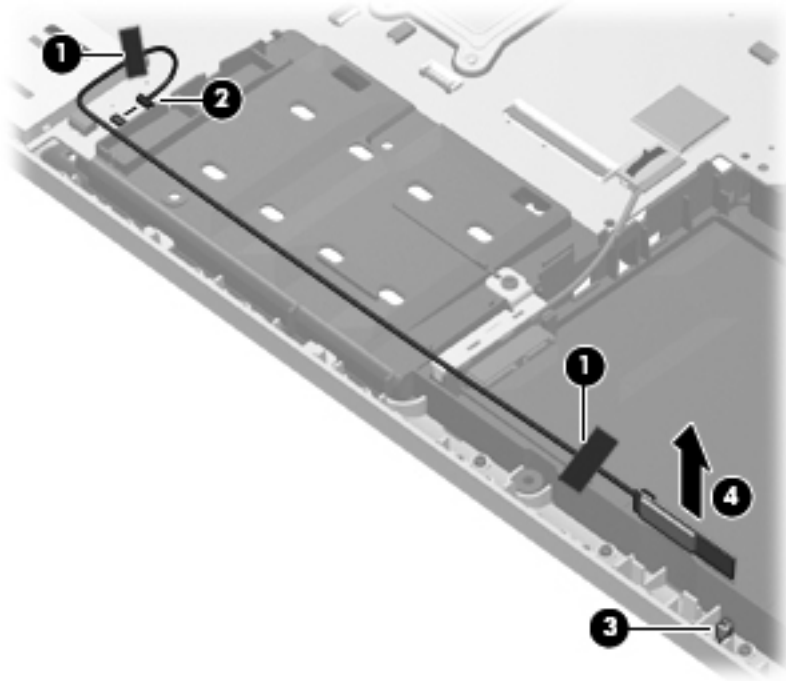
Before removing the Bluetooth module, follow these steps:

1. Shut down the computer. If you are unsure whether the computer is off or in Hibernation, turn the computer on, and then shut it down through the operating system.
2. Disconnect all external devices connected to the computer.
3. Disconnect the power from the computer by first unplugging the power cord from the AC outlet and then unplugging the AC adapter from the computer.
4. Remove the battery (see [Battery on page 40](#)).
5. Remove the following components:
 - a. Hard drive (see [Hard drive on page 50](#))
 - b. Optical drive (see [Optical drive on page 53](#))
 - c. Top cover (see [Top cover on page 54](#))

Remove the Bluetooth module:

1. Position the computer upright with the front toward you.
2. Lift the tape that secures the Bluetooth module cable to the system board **(1)**.
3. Disconnect the cable **(2)** from the system board.

4. Pull the clip that holds the Bluetooth module **(3)**, and then remove the module from the base enclosure **(4)**.



Reverse the above procedure to install the Bluetooth module.

Power connector cable

Description	Spare part number
Power connector cable (includes cable and connector)	621884-001

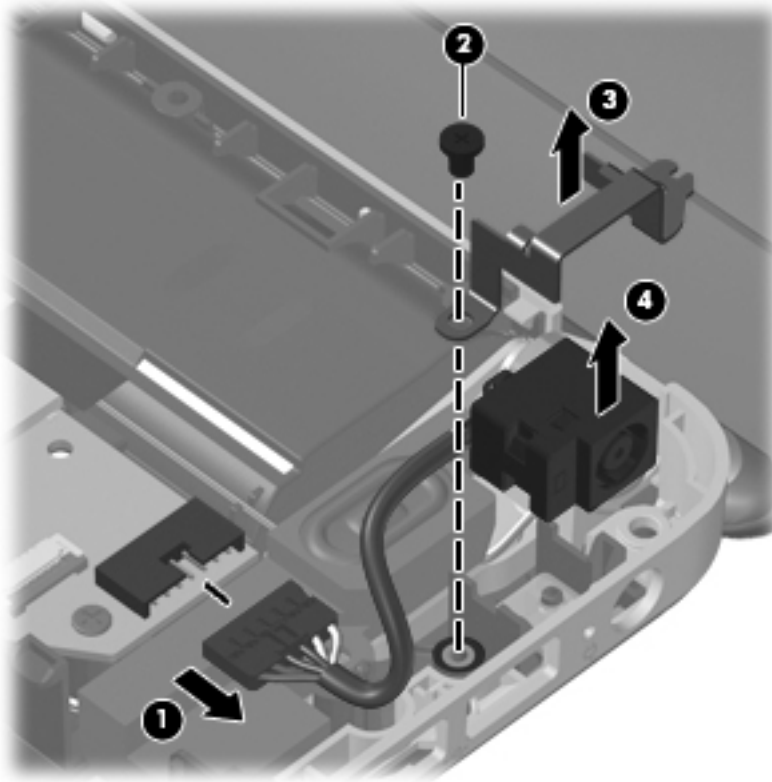
Before removing the power connector cable, follow these steps:

1. Shut down the computer. If you are unsure whether the computer is off or in Hibernation, turn the computer on, and then shut it down through the operating system.
2. Disconnect all external devices connected to the computer.
3. Disconnect the power from the computer by first unplugging the power cord from the AC outlet and then unplugging the AC adapter from the computer.
4. Remove the battery (see [Battery on page 40](#)).
5. Remove the following components:
 - a. Hard drive (see [Hard drive on page 50](#))
 - b. Optical drive (see [Optical drive on page 53](#))
 - c. Top cover (see [Top cover on page 54](#)))

Remove the power connector cable:

1. Turn the computer upright with the right side toward you.
2. Disconnect the power connector cable **(1)** from the system board.
3. Remove the Phillips PM2.0×4.0 screw **(2)** that secures the power connector cable to the base enclosure.
4. Remove the bracket from atop the connector **(3)**.

5. Remove the power connector **(4)** from the base enclosure.



Reverse this procedure to install the power connector cable.

Optical drive connector

Description	Spare part number
Optical Drive Mounting Kit (includes SATA cable, cable bracket, optical drive bracket, and screws)	608274-001

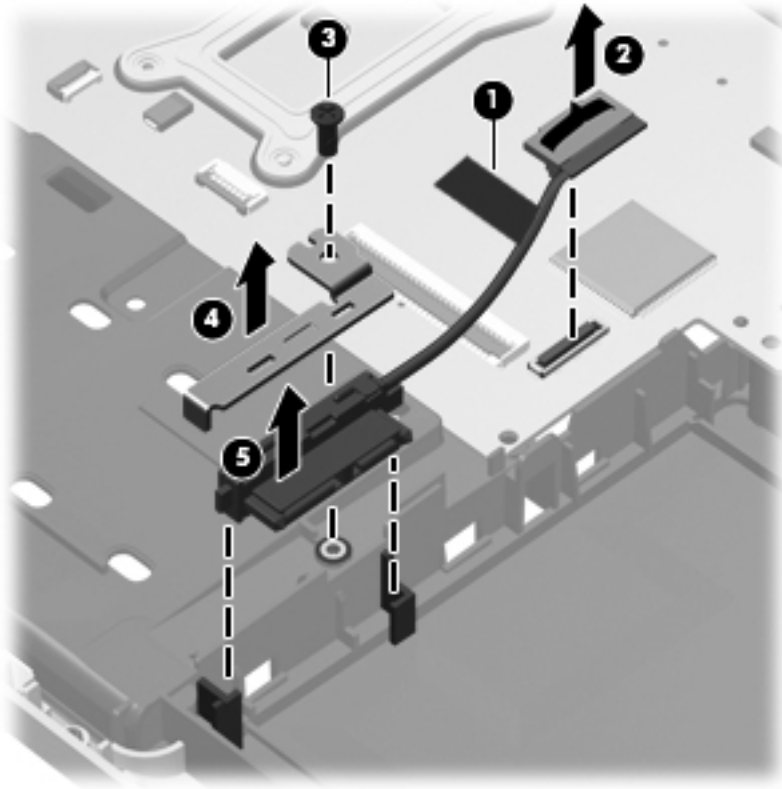
Before removing the optical drive connector, follow these steps:

1. Shut down the computer. If you are unsure whether the computer is off or in Hibernation, turn the computer on, and then shut it down through the operating system.
2. Disconnect all external devices connected to the computer.
3. Disconnect the power from the computer by first unplugging the power cord from the AC outlet and then unplugging the AC adapter from the computer.
4. Remove the battery (see [Battery on page 40](#)).
5. Remove the following components:
 - a. Hard drive (see [Hard drive on page 50](#))
 - b. Optical drive (see [Optical drive on page 53](#))
 - c. Top cover (see [Top cover on page 54](#))
 - d. USB board ([USB board on page 60](#)).
 - e. Speaker assembly([Speaker assembly on page 62](#)).

Remove the optical drive connector:

1. Turn the computer upright with the right side toward you.
2. Remove the tape that secures the cable to the base enclosure **(1)**.
3. Disconnect the optical drive connector from the system board **(2)**.
4. Remove the Phillips PM2.0×3.0 screw **(3)** that secures the optical drive connector to the base enclosure.
5. Lift the bracket from the base enclosure **(4)**.

6. Remove the optical drive connector assembly (5) from the base enclosure.



Reverse this procedure to install the optical drive connector.

Power button board

Description	Spare part number
Power button board (with cable and bracket)	608276-001

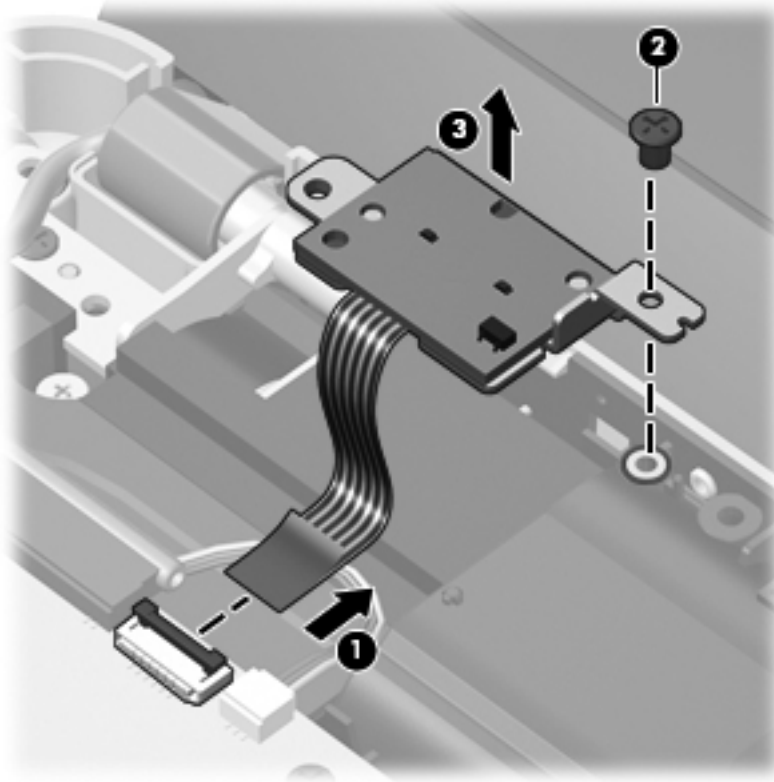
Before removing the power button board, follow these steps:

1. Shut down the computer. If you are unsure whether the computer is off or in Hibernation, turn the computer on, and then shut it down through the operating system.
2. Disconnect all external devices connected to the computer.
3. Disconnect the power from the computer by first unplugging the power cord from the AC outlet and then unplugging the AC adapter from the computer.
4. Remove the battery (see [Battery on page 40](#)).
5. Remove the following components:
 - a. Hard drive (see [Hard drive on page 50](#))
 - b. Optical drive (see [Optical drive on page 53](#))
 - c. Top cover (see [Top cover on page 54](#))
 - d. Speaker assembly ([Speaker assembly on page 62](#)).

Remove the power button board:

1. Turn the computer upright with the right side toward you.
2. Disconnect the cable from the system board **(1)**.
3. Remove the Phillips PM2.0×3.0 screw **(2)** that secures the power button board to the top cover.

4. Remove the power button board (3).



Reverse this procedure to install the power button board.

Display assembly

Description	Spare part number
33.78 cm (13.3-in) WXGA Brightview display assembly for use in Compaq Presario CQ32–branded computers	608017-001
33.78 cm (13.3-in) WXGA Brightview display assembly for use in HP G32–branded computers	628920-001

Before removing the display assembly, follow these steps:

1. Shut down the computer. If you are unsure whether the computer is off or in Hibernation, turn the computer on, and then shut it down through the operating system.
2. Disconnect all external devices connected to the computer.
3. Disconnect the power from the computer by first unplugging the power cord from the AC outlet and then unplugging the AC adapter from the computer.
4. Remove the battery (see [Battery on page 40](#)).
5. Disconnect the wireless antenna cables from the WLAN module (see [WLAN module on page 45](#)).
6. Remove the following components:
 - a. Optical drive (see [Optical drive on page 53](#))
 - b. WLAN module (see [WLAN module on page 45](#))
 - c. Top cover (see [Top cover on page 54](#))
 - d. USB board ([USB board on page 60](#)).

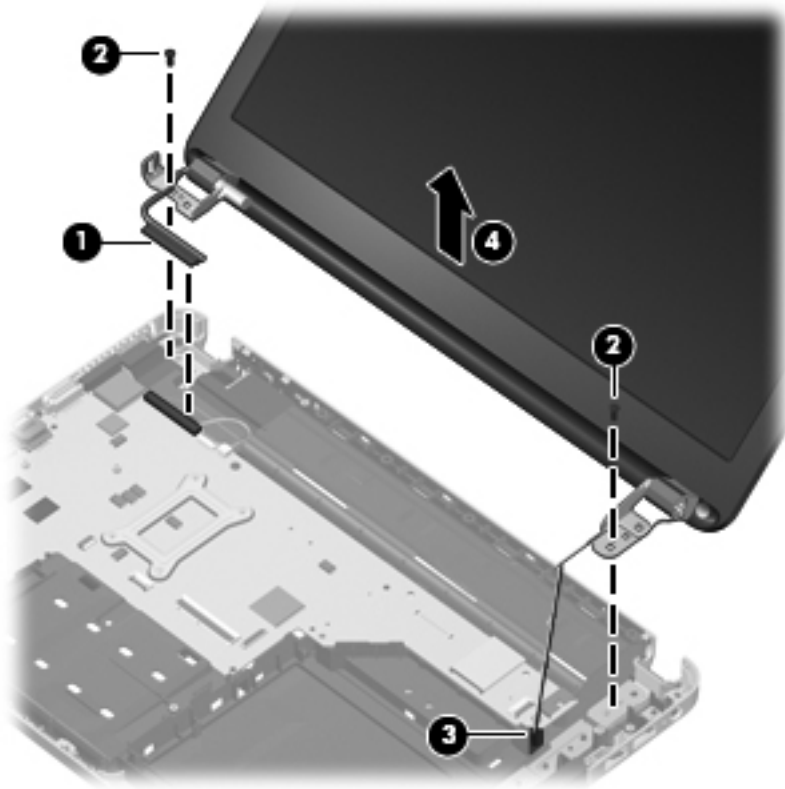
Remove the display assembly:

1. Turn the computer display-side up, with the front toward you.
2. Open the display as far as possible.
3. Disconnect the display panel cable **(1)** from the system board.
4. Remove the two Phillips PM2.5×8.0 screws **(2)** that secure the display assembly to the computer.

△ **CAUTION:** Support the display assembly when removing the display screws in the following steps. Failure to support the display assembly can result in damage to the assembly and other components.

5. Remove the wireless antenna cables **(3)** from the hole and clips built into the base enclosure.

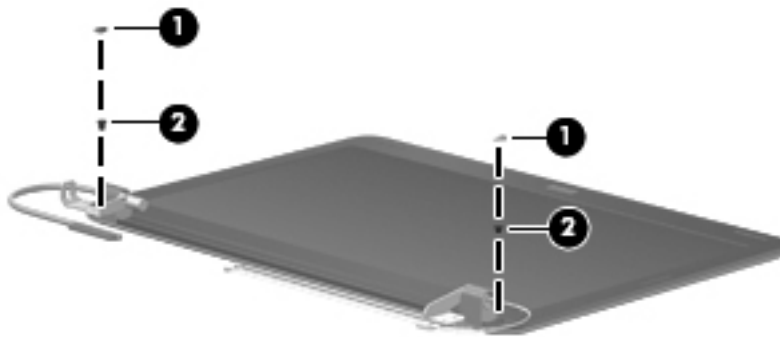
6. Remove the display assembly **(4)**.



7. If it is necessary to replace any of the display assembly internal components, remove the following screw covers and screws.

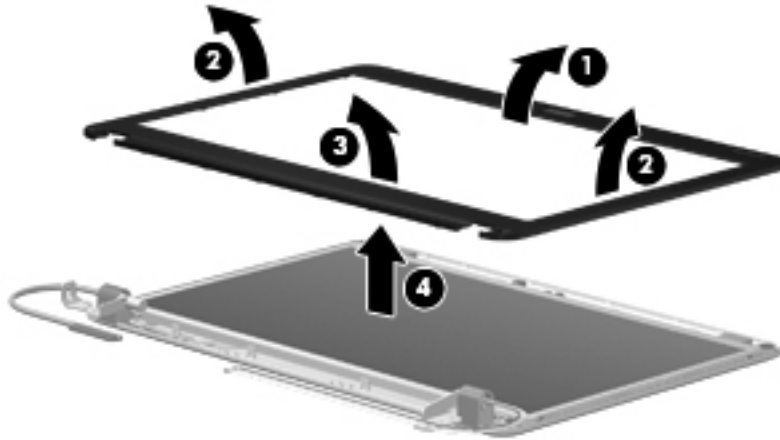
(1) Two Mylar screw covers on the display bezel bottom edge

(2) Two Phillips PM2.5×4.0 screws

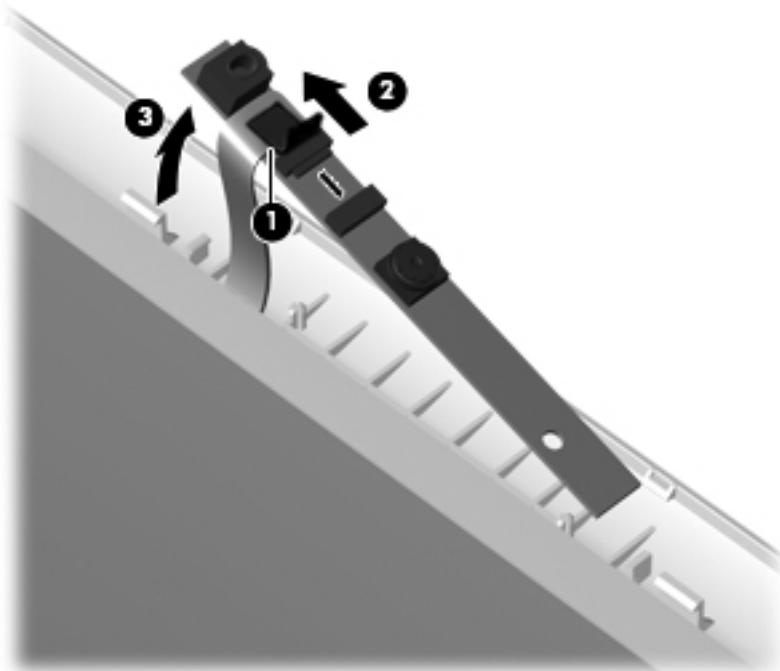


8. Flex the inside edge of the top **(1)**, the left and right sides **(2)**, and the bottom **(3)** of the display bezel until the bezel disengages from the display back cover.

9. Remove the display bezel **(4)**. The display bezel is available using spare part numbers 608020-001 (for use in Compaq Presario CQ32-branded computers), and 628918-001 (for use in HP G32-branded computers).

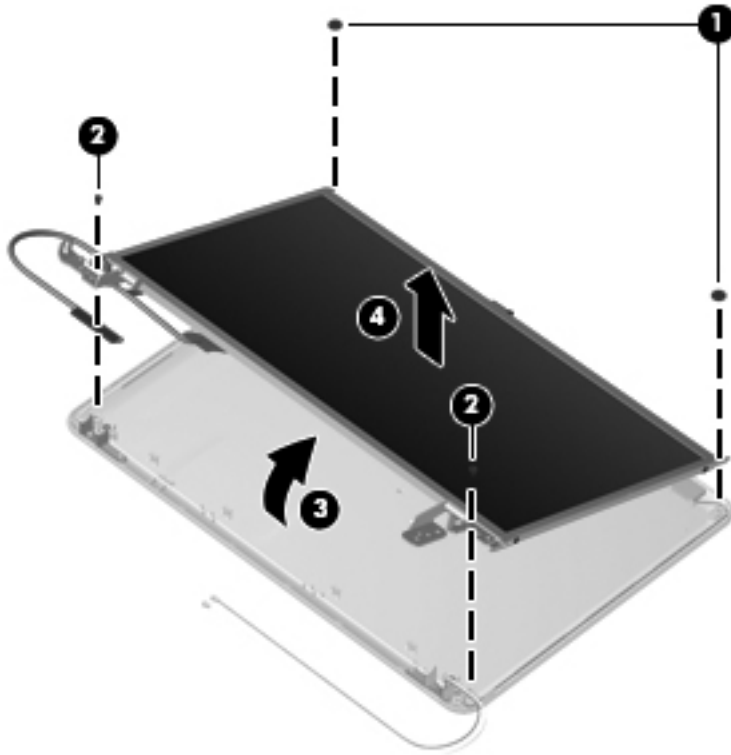


10. If it is necessary to replace the webcam module, remove the tape from the webcam module connector **(1)**, disconnect the webcam cable **(2)** from the module, and lift the webcam (left side first) to disengage the double-sided tape on the display back cover **(3)**. The webcam is available using spare part number 608031-001.

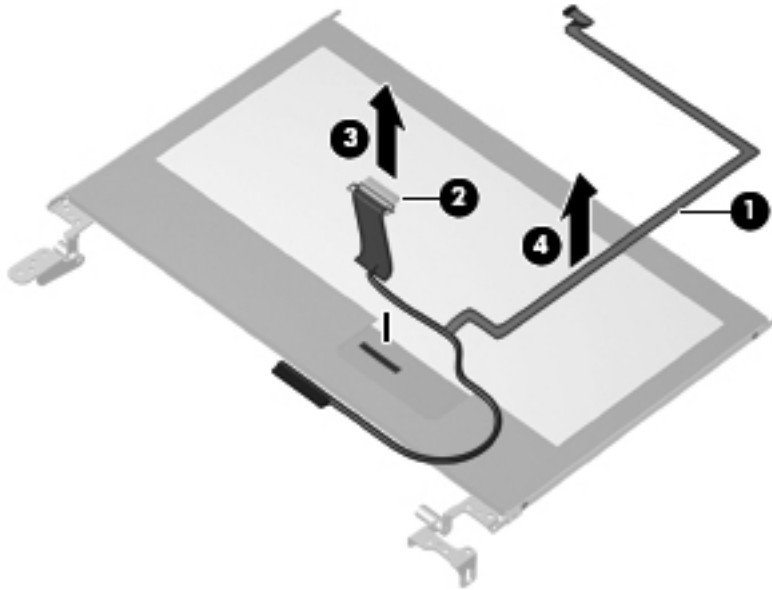


11. If it is necessary to replace the display panel, remove the two Phillips PM2.5×3.0 broadhead screws **(1)** and the two Phillips PM2.5×4.0 screws **(2)** that secure the display panel to the display enclosure.

- 12.** Lift up the bottom of the panel **(3)**, and then remove the panel from the enclosure **(4)**. The display panel is available using the spare part number 608019-001.

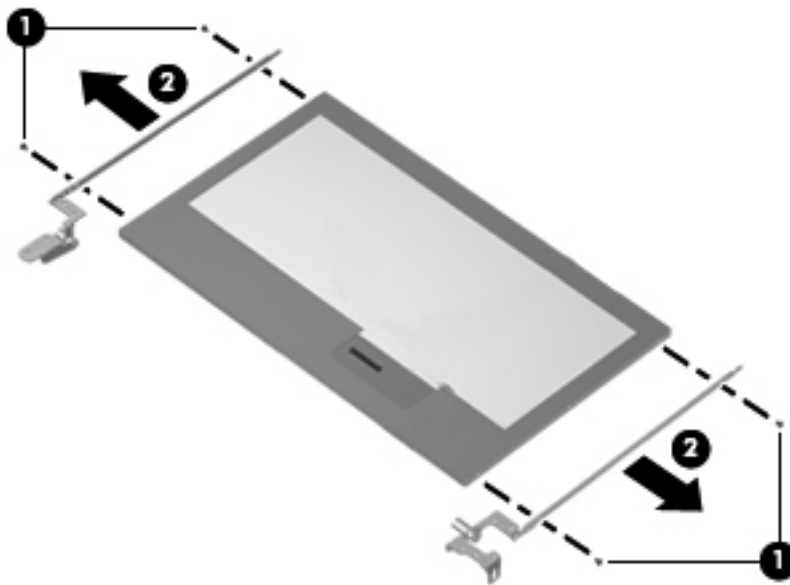


- 13.** If it is necessary to replace the display cable, follow these steps:
- Turn the display panel upside down in front of you.
 - Disengage the webcam cable from the glue securing it to the back of the display **(1)**.
 - Peel back the tape that secures the display cable to the display **(2)**.
 - Disconnect the display cable from the display **(3)**.
 - Remove the display cable from the display **(4)**.



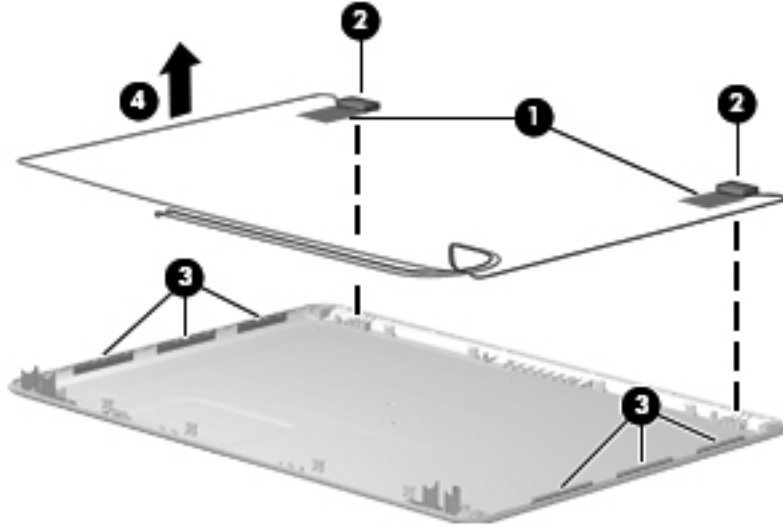
The display cable is available in the display cable kit, spare part number 608272-001.

14. If it is necessary to replace the display hinges, remove the four Phillips PM2.0×3.0 screws **(1)** that secure the hinges to the display.
15. Remove the display hinges **(2)** from the display. Display hinges are available using spare part number 608016-001.



16. If it is necessary to replace the wireless antennas and cables, remove the adhesive strip **(1)** that secures each antenna to the display back cover.
17. Remove the antennas **(2)** from the clips **(3)** built into the display enclosure.

18. Remove the wireless antennas and cables (4) from the display enclosure. The wireless antennas and cables are included in the display cable kit, spare part number 608272-001.



Reverse this procedure to reassemble and install the display assembly.

System board

 **NOTE:** All system board spare part kits include replacement thermal material.

Description	Spare part number
System board with 512-MB of discrete graphics memory	608029-001
System board with 1-GB of discrete graphics memory	615842-001


When replacing the system board, be sure that the following components are removed from the defective system board and installed on the replacement system board:

- RTC battery (see [RTC battery on page 44](#))
- Memory modules (see [Memory module on page 41](#))
- WLAN module (see [WLAN module on page 45](#))
- Fan/heat sink assembly (see [Fan/heat sink assembly on page 80](#))
- Processor (see [Processor on page 83](#))


Before removing the system board, follow these steps:

1. Shut down the computer. If you are unsure whether the computer is off or in Hibernation, turn the computer on, and then shut it down through the operating system.
2. Disconnect all external devices connected to the computer.
3. Disconnect the power from the computer by first unplugging the power cord from the AC outlet and then unplugging the AC adapter from the computer.
4. Remove the battery (see [Battery on page 40](#)).
5. Remove the following components:
 - a. Hard drive (see [Hard drive on page 50](#))
 - b. WLAN module (see [WLAN module on page 45](#))
 - c. Optical drive (see [Optical drive on page 53](#))
 - d. Top cover (see [Top cover on page 54](#))
 - e. Speaker assembly (see [Speaker assembly on page 62](#))
 - f. Display assembly (see [Display assembly on page 72](#))
 - g. USB board (see [USB board on page 60](#))

Fan/heat sink assembly

 **NOTE:** All fan/heat sink assembly spare part kits include replacement thermal material.

Description	Spare part number
Fan/heat sink assembly	608010-001

 **NOTE:** To properly ventilate the computer, allow at least a **7.6-cm** (3-inch) clearance on the right side and rear panel of the computer. The computer uses an electric fan for ventilation. The fan is controlled by a temperature sensor and is designed to turn on automatically when high temperature conditions exist. These conditions are affected by high external temperatures, system power consumption, power management/battery conservation configurations, battery fast charging, and software requirements. Exhaust air is displaced through the ventilation grill located on the left side of the computer.

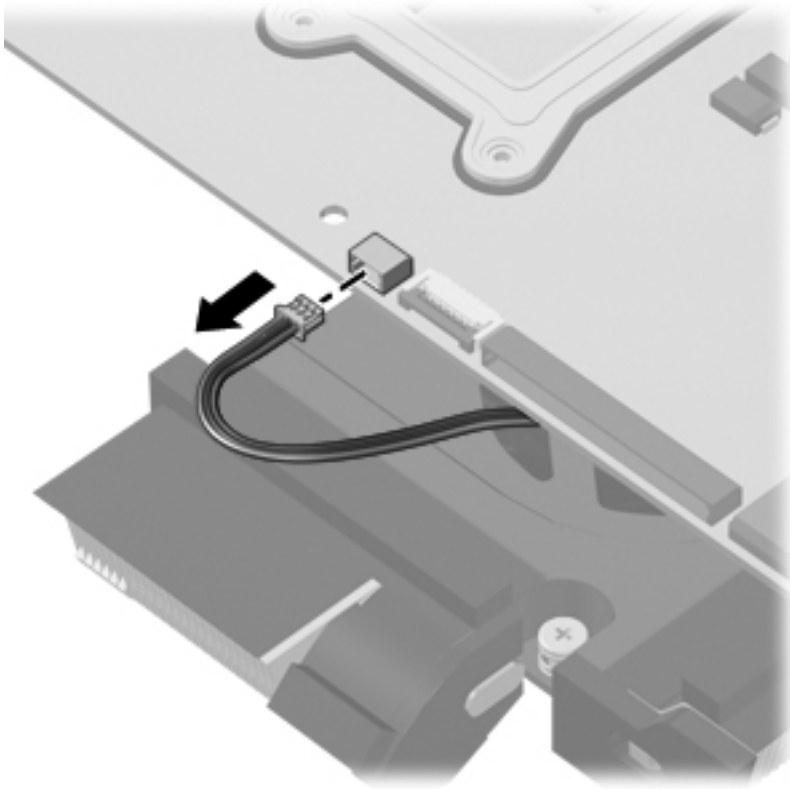
Before removing the fan/heat sink assembly, follow these steps:

1. Shut down the computer. If you are unsure whether the computer is off or in Hibernation, turn the computer on, and then shut it down through the operating system.
2. Disconnect all external devices connected to the computer.
3. Disconnect the power from the computer by first unplugging the power cord from the AC outlet and then unplugging the AC adapter from the computer.
4. Remove the battery (see [Battery on page 40](#)).
5. Remove the following components:
 - a. Hard drive (see [Hard drive on page 50](#))
 - b. WLAN module (see [WLAN module on page 45](#))
 - c. Optical drive (see [Optical drive on page 53](#))
 - d. Top cover (see [Top cover on page 54](#))
 - e. Speaker assembly (see [Speaker assembly on page 62](#))
 - f. Power connector cable (see [Power connector cable on page 66](#))
 - g. USB board (see [USB board on page 60](#))
 - h. Display assembly (see [Display assembly on page 72](#))
 - i. System board (see [System board on page 78](#))


Remove the fan/heat sink assembly:

1. Turn the system board upside down.

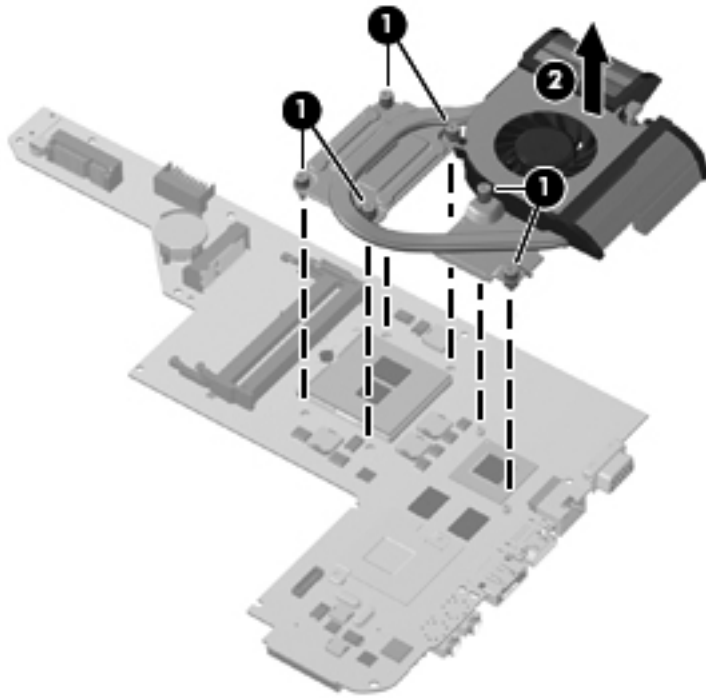
2. Disconnect the fan cable from the system board.




3. Follow the sequence embossed on heat sink to loosen the six captive screws **(1)** that secure the fan/heat sink assembly to the system board.

 **NOTE:** Due to the adhesive quality of the thermal material located between the fan/heat sink assembly and system board components, it may be necessary to move the fan/heat sink assembly from side to side to detach the assembly.

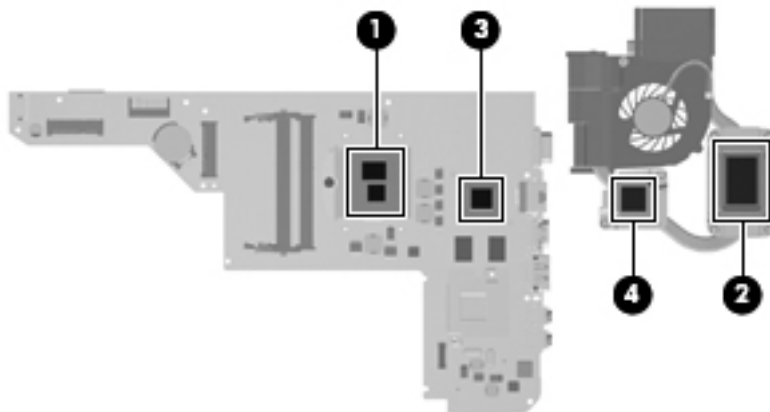
4. Remove the fan/heat sink assembly from the system board **(2)**.



The thermal material must be thoroughly cleaned from the affected surfaces on the system board **(1)**, **(3)** and from the affected surfaces on the fan/heat sink assembly **(2)**, **(4)** each time the fan/heat sink assembly is removed. Thermal pads and thermal paste must be installed on all surfaces before the fan/heat sink assembly is reinstalled.

 **NOTE:** Thermal pads and thermal paste are included with all fan/heat sink assembly, system board, and processor spare part kits.

The following illustration shows the locations for thermal material.



Reverse this procedure to install the fan/heat sink assembly.

Processor

 **NOTE:** All processor spare part kits include replacement thermal material.

Description	Spare part number
Intel Core i5 580M Dual Core processor (2.66-GHz, 3-MB L3 cache)	625825-001
Intel Core i5 560M Dual Core processor (2.66-GHz, 3-MB L3 cache)	625824-001
Intel Core i5 540M Dual Core processor (2.53-GHz, 3-MB L3 cache)	594188-001
Intel Core i5 520M Dual Core processor (2.40-GHz, 3-MB L3 cache)	594187-001
Intel Core i5 460M Dual Core processor (2.53-GHz, 3-MB L3 cache)	626039-001
Intel Core i5 450M Dual Core processor (2.40-GHz, 3-MB L3 cache)	613585-001
Intel Core i5 430M Dual Core processor (2.26-GHz, 3-MB L3 cache)	597624-001
Intel Core i3 380M Dual Core processor (2.53-GHz, 3-MB L3 cache)	625823-001
Intel Core i3 370M Dual Core (2.40-GHz, 3-MB L3 cache)	613584-001
Intel Core i3 350M Dual Core (2.26-GHz, 3-MB L3 cache)	597623-001
Intel Pentium P6200 processor (2.13-GHz, 3-MB L3 cache)	625831-001
Intel Pentium P6100 processor (2.0-GHz, 3-MB L3 cache)	613587-001
Intel Pentium P6000 (1.86-MHz, 3-MB L3 cache)	613586-001


Before removing the processor, follow these steps:

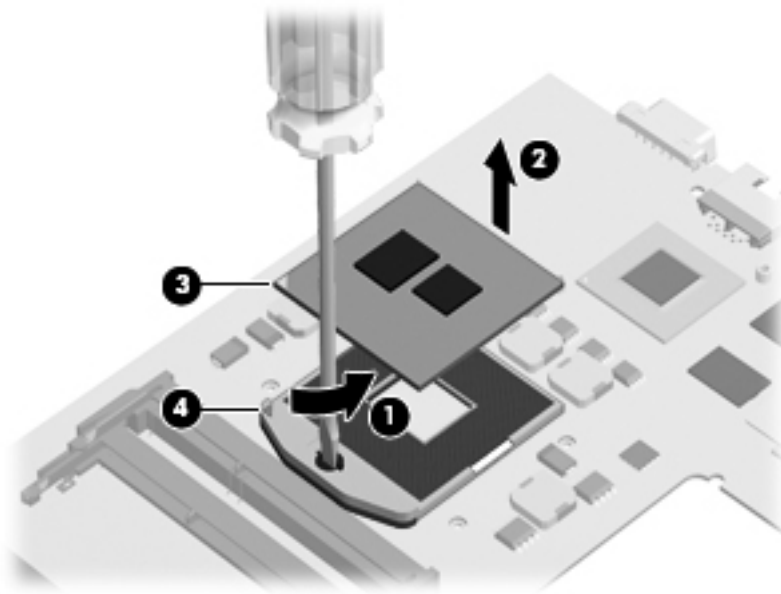
1. Shut down the computer. If you are unsure whether the computer is off or in Hibernation, turn the computer on, and then shut it down through the operating system.
2. Disconnect all external devices connected to the computer.
3. Disconnect the power from the computer by first unplugging the power cord from the AC outlet and then unplugging the AC adapter from the computer.
4. Remove the battery (see [Battery on page 40](#)).
5. Remove the following components:
 - a. Hard drive (see [Hard drive on page 50](#))
 - b. WLAN module (see [WLAN module on page 45](#))
 - c. Optical drive (see [Optical drive on page 53](#))
 - d. Top cover (see [Top cover on page 54](#))
 - e. Speaker assembly (see [Speaker assembly on page 62](#))
 - f. Power connector cable (see [Power connector cable on page 66](#))
 - g. USB board (see [USB board on page 60](#)).

- h. Display assembly (see [Display assembly on page 72](#))
- i. System board (see [System board on page 78](#))
- j. Fan/heat sink assembly (see [Fan/heat sink assembly on page 80](#))

Remove the processor:

1. Turn the processor locking screw **(1)** one-half turn counterclockwise until you hear a click.
2. Lift the processor **(2)** straight up and remove it.

 **NOTE:** The gold triangle **(3)** on the processor must be aligned with the triangle icon **(4)** embossed on the processor socket when you install the processor.



Reverse this procedure to install the processor.

5 Setup Utility (BIOS)

Starting Setup Utility

Setup Utility is a ROM-based information and customization utility that can be used even when your Windows operating system is not working.

The utility reports information about the computer and provides settings for startup, security, and other preferences.

To start Setup Utility:

- ▲ Open Setup Utility by turning on or restarting the computer. While the “Press the ESC key for Startup Menu” message is displayed in the lower-left corner of the screen, press **f10**.

– or –

1. Open Setup Utility by turning on or restarting the computer. While the “Press the ESC key for Startup Menu” message is displayed in the lower-left corner of the screen, press **esc**.
2. When the Startup Menu is displayed, press **f10**.

Using Setup Utility

Changing the language of Setup Utility

The following procedure explains how to change the language of Setup Utility. If Setup Utility is not already running, begin at step 1. If Setup Utility is already running, begin at step 2.

1. Open Setup Utility by turning on or restarting the computer. While the “Press the ESC key for Startup Menu” message is displayed in the lower-left corner of the screen, press **f10**.

– or –

Open Setup Utility by turning on or restarting the computer. While the “Press the ESC key for Startup Menu” message is displayed in the lower-left corner of the screen, press **esc**. When the Startup Menu is displayed, press **f10**.

2. Use the arrow keys to select **System Configuration > Language**, and then press **enter**.
3. Use the arrow keys to select a language, and then press **enter**.
4. When a confirmation prompt with your language selected is displayed, press **enter**.
5. To save your change and exit Setup Utility, use the arrow keys to select **Exit > Exit Saving Changes**, and then press **enter**.

Your change goes into effect immediately.

Navigating and selecting in Setup Utility

Because Setup Utility is not Windows based, it does not support the TouchPad. Navigation and selection are by keystroke.

- To choose a menu or a menu item, use the arrow keys.
- To choose an item in a list or to toggle a field, for example an Enable/Disable field, use either the arrow keys or **f5** or **f6**.
- To select an item, press **enter**.
- To close a text box or return to the menu display, press **esc**.
- To display additional navigation and selection information while Setup Utility is open, press **f1**.

Displaying system information

The following procedure explains how to display system information in Setup Utility. If Setup Utility is not open, begin at step 1. If Setup Utility is open, begin at step 2.

1. Open Setup Utility by turning on or restarting the computer. While the “Press the ESC key for Startup Menu” message is displayed in the lower-left corner of the screen, press **f10**.

– or –

Open Setup Utility by turning on or restarting the computer. While the “Press the ESC key for Startup Menu” message is displayed in the lower-left corner of the screen, press **esc**. When the Startup Menu is displayed, press **f10**.

2. Select the **Main** menu. System information such as the system time and date, and identification information about the computer is displayed.
3. To exit Setup Utility without changing any settings, use the arrow keys to select **Exit > Exit Discarding Changes**, and then press **enter**.

Restoring default settings in Setup Utility

The following procedure explains how to restore Setup Utility default settings. If Setup Utility is not already running, begin at step 1. If Setup Utility is already running, begin at step 2.


1. Open Setup Utility by turning on or restarting the computer. While the “Press the ESC key for Startup Menu” message is displayed in the lower-left corner of the screen, press **f10**.

– or –

Open Setup Utility by turning on or restarting the computer. While the “Press the ESC key for Startup Menu” message is displayed in the lower-left corner of the screen, press **esc**. When the Startup Menu is displayed, press **f10**.

2. Use the arrow keys to select **Exit > Load Setup Defaults**, and then press **enter**.
3. When the Setup Confirmation is displayed, press **enter**.
4. To save your change and exit Setup Utility, use the arrow keys to select **Exit > Exit Saving Changes**, and then press **enter**.

Setup Utility default settings go into effect when the computer restarts.

 **NOTE:** Your password, security, and language settings are not changed when you restore the factory default settings.

Exiting Setup Utility

You can exit Setup Utility with or without saving changes.

- To exit Setup Utility and save your changes from the current session:

If the Setup Utility menus are not visible, press **esc** to return to the menu display. Then use the arrow keys to select **Exit > Exit Saving Changes**, and then press **enter**.


- To exit Setup Utility without saving your changes from the current session:

If the Setup Utility menus are not visible, press **esc** to return to the menu display. Then use the arrow keys to select **Exit > Exit Discarding Changes**, and then press **enter**.

After either choice, the computer restarts in Windows.

Setup Utility menus

The menu tables in this section provide an overview of Setup Utility options.

 **NOTE:** Some of the Setup Utility menu items listed in this chapter may not be supported by your computer.

Main menu

Select	To do this
System information	<ul style="list-style-type: none">• View and change the system time and date.• View identification information about the computer.• View specification information about the processor, memory size, system BIOS, and keyboard controller version (select models only).

Security menu

Select	To do this
Administrator password	Enter, change, or delete an administrator password.
Power-On Password	Enter, change, or delete a power-on password.

System Configuration menu

Select	To do this
Language Support	Change the language of Setup Utility.
Button Sound (select models only)	Enable/disable the capacitive button tapping sound.
Virtualization Technology (select models only)	Enable/disable the processor Virtualization Technology.
Processor C6 State (select models only)	Enable/disable the processor C6 sleep state.
LAN Power Saving (select models only)	Enable/disable LAN Power Saving. When enabled, saves power when the computer is in DC mode.
Card Reader/1394 Power Saving (select models only)	Enable/disable Card Reader/1394 Power Saving.
Fan Always On	Enable/disable Fan Always On. When enabled, the computer fan will always be on.
Action Keys Mode	Enable/disable Action Keys Mode.
Boot Options	<p>Set the following boot options:</p> <ul style="list-style-type: none">• POST hotkey delay (sec.)—Set the delay for the f1, f2, f9, f10, f11, and f12 functions of Setup Utility in intervals of 5 seconds each (0, 5, 10, 15, 20).• CD-ROM Boot—Enable/disable boot from CD-ROM.• Floppy Boot—Enable/disable boot from diskette.• Internal Network Adapter Boot—Enable/disable boot from the internal network adapter.• Boot Order—Set the boot order for:<ul style="list-style-type: none">◦ Notebook Hard Drive◦ Internal CD/DVD ROM Drive◦ USB Diskette on Key/USB Hard Disk◦ USB CD/DVD ROM Drive◦ USB Floppy◦ Network Adapter

Diagnostics menu

Select	To do this
Hard Disk Self Test	Run a comprehensive self-test on the hard drive. NOTE: On models with two hard drives, this menu option is called the Primary Hard Disk Self Test .
Secondary Hard Disk Self Test (select models only)	Run a comprehensive self-test on a secondary hard drive.
Memory Test	Run a diagnostic test on the system memory.

6 Specifications

Computer specifications

Dimensions	
Depth	22.8 cm (8.98 in)
Width	34.8 cm (13.70 in)
Height (front to rear)	2.5 to 3.2 cm (0.98 to 1.26 in)
Weight (lowest weight configuration)	< 2.00 kg (4.42 lbs)
Input power	
Operating voltage	18.5 V dc @ 4.74 A – 90 W
Operating current	4.74 A
Temperature	
Operating (not writing to optical disc)	0°C to 35°C (32°F to 95°F)
Operating (writing to optical disc)	5°C to 35°C (41°F to 95°F)
Nonoperating	-20°C to 60°C (-4°F to 140°F)
Relative humidity	
Operating	10% to 90%
Nonoperating	5% to 95%
Maximum altitude (unpressurized)	
Operating	-15 m to 3,048 m (-50 ft to 10,000 ft)
Nonoperating	-15 m to 12,192 m (-50 ft to 40,000 ft)
NOTE: Applicable product safety standards specify thermal limits for plastic surfaces. The computer operates well within this range of temperatures.	

33.78-cm (13.3-in) display specifications

Dimensions	
Active diagonal size	33.78 cm (13.30 in)
Active area	293.38 x 165.02
Resolution	1366 x 768 (HD)
Weight	350 g (0.77 lbs)
Contrast ratio	500:1 (typical) – BV
	300:1 (typical) – AG
Luminance	200 nits (typical)
Luminance uniformity	1.4 (typical)
	1.6 (max)
Lifetime (1/2 luminance)	12,000 hours
Backlight	LED
Response time	16 ms (typical)
Surface treatment	AG
	BV
Total power consumption	3.5 W
Viewing angle	SVA

Hard drive specifications

	500-GB*	320-GB*	250-GB*
Dimensions			
Height		9.5 mm	
Width		70 mm	
Weight		101 g	
Interface type		SATA	
Transfer rate		100 MB/sec	
Security		ATA security	
Seek times (typical read, including setting)			
Single track	1.0 ms	1.5 ms	2.0 ms
Average	14.0 ms	12.0 ms	12.0 ms
Maximum	22.0 ms	22.0 ms	22.0 ms
Logical blocks		976,773,168	625,142,448
Disc rotational speed		7200 rpm	7200 rpm
Operating temperature		5°C to 55°C (41°F to 131°F)	
*1 GB = 1 billion bytes when referring to hard drive storage capacity. Actual accessible capacity is less. Actual drive specifications may differ slightly.			
NOTE: Certain restrictions and exclusions apply. Contact technical support for details.			

DVD±RW SuperMulti DL Drive with LightScribe specifications

Applicable disc	
Read	CD-DA, CD+(E)G, CD-MIDI, CD-TEXT, CD-ROM, CD-ROM XA, MIXED MODE CD, CD-I, CD-I Bridge (Photo-CD, Video CD), Multisession CD (Photo-CD, CD-EXTRA, Portfolio, CD-R, CD-RW), CD-R, CD-RW, DVD-ROM (DVD-5, DVD-9, DVD-10, DVD-18), DVD-R, DVD-RW, DVD+R, DVD+RW, DVD-RAM
Write	CD-R and CD-RW, DVD+R, DVD+RW, DVD-R, DVD-RW, DVD-RAM
Random access time	
DVD	< 230 ms
CD	< 175 ms
Cache buffer	
	2 MB
Data transfer rate	
24X CD-ROM	3,600 KB/sec
8X DVD-ROM	10,800 KB/sec
24X CD-R	3,600 KB/sec
16X CD-RW	2,400 KB/sec
8X DVD+R	10,800 KB/sec
4X DVD+RW	5,400 KB/sec
8X DVD-R	10,800 KB/sec
4X DVD-RW	5,400 KB/sec
2.4X DVD+R(9)	2,700 KB/sec
5X DVD-RAM	6,750 KB/sec
Transfer mode	
	Multiword DMA Mode

Blu-ray ROM with LightScribe DVD±R/RW SuperMulti DL Drive

Applicable disc	Read:	Write:	
	CD-DA, CD+(E)G, CD-MIDI, CDTEXT, CD-ROM, CD-ROM XA, MIXED MODE CD, CD-I, CD-I Bridge (Photo-CD, Video CD), Multisession CD (Photo-CD, CD-EXTRA, Portfolio, CD-R, CD-RW), CD-R, CD-RW, DVDROM (DVD-5, DVD-9, DVD-10, DVD-18), DVD-R, DVD-RW, DVD+R, DVD+RW, DVD-RAM, HD-ROM (Single Layer), HD-ROM (Dual Layer), HD DVD-R, HD DVD-R for Dual Layer, HD DVD-RW	CD-R and CD-RW DVD+R, DVD+R(9), DVD+RW, DVD-R, DVD-R(9), DVD-RW, DVD-RAM	
Access time	CD	DVD	HD
Random	170 ms	170 ms	230 ms
Cache buffer	8 MB		
Data transfer rate			
24X CD-ROM	3,600 KB/sec		
8X DVD	10,800 KB/sec		
24X CD-R	3,600 KB/sec		
16X CD-RW	2,400 KB/sec		
8X DVD+R	10,800 KB/sec		
4X DVD+RW	5,400 KB/sec		
8X DVD-R	10,800 KB/sec		
4X DVD-RW	5,400 KB/sec		
2.4X DVD+R(9)	2,700 KB/sec		
5X DVD-RAM	6,750 KB/sec		
1X BD-ROM	4,500 KB/sec		
1X BD-R read	4,500 KB/sec		
1X BD-RE read	4,500 KB/sec		
Transfer mode	Multiword DMA Mode		

System resource specifications

You can use Device Manager to get a graphical view of the system resources that control how the devices work on the computer. System resources you can access from Device Manager are direct memory access (DMA) channels, input/output (I/O) ports, interrupt request (IRQ) lines, and memory addresses.

If two devices require the same resource and create a device conflict, you can manually change the resource settings in Device Manager to be sure each setting is unique.

△ **CAUTION:** Improperly changing resource settings can disable your hardware and cause your computer to malfunction or become inoperable. Only users who have expert knowledge of computer hardware and hardware configurations should change resource settings.

To view resource settings in Windows 7:


1. Select **Start > Computer**.
2. Click **System properties** near the top of the Computer folder.
3. On the left, click **Device Manager**.
4. On the **View** menu, click one of the following:
 - **Resources by type**
 - **Resources by connection**

7 Backup and recovery

Recovery after a system failure is as complete as your most current backup. HP recommends that you create recovery discs immediately after software setup. As you add new software and data files, you should continue to back up your system on a regular basis to maintain a reasonably current backup.

Tools provided by the operating system and HP Recovery Manager software are designed to help you with the following tasks for safeguarding your information and restoring it in case of a system failure:


- Creating a set of recovery discs (Recovery Manager software feature). Recovery discs are used to start up (boot) your computer and restore the operating system and software programs to factory settings in case of system failure or instability.
- Backing up your information regularly to protect your important system files.
- Creating system restore points (operating system feature). System restore points allow you to reverse undesirable changes to your computer by restoring the computer to an earlier state.
- Recovering a program or driver (Recovery Manager software feature). This feature helps you reinstall a program or driver without performing a full system recovery.
- Performing a full system recovery (Recovery Manager software feature). With Recovery Manager, you can recover your full factory image if you experience system failure or instability. Recovery Manager works from a dedicated recovery partition (select models only) on the hard drive or from recovery discs you create.

 **NOTE:** Computers with a solid-state drive (SSD) may not have a recovery partition. Recovery discs have been included for computers that do not have a partition. Use these discs to recover your operating system and software. To check for the presence of a recovery partition, select **Start**, right-click **Computer**, click **Manage**, and then click **Disk Management**. If the partition is present, an HP Recovery drive is listed in the window.


Creating recovery discs

HP recommends that you create recovery discs to be sure that you can restore your system to its original factory state if you experience serious system failure or instability. Create these discs after setting up the computer for the first time.


Handle these discs carefully and keep them in a safe place. The software allows the creation of only one set of recovery discs.

 **NOTE:** You can use an optional external optical drive (purchased separately) to create recovery discs, or you can purchase recovery discs for your computer from the HP Web site.

Note the following guidelines before creating recovery discs:

 **NOTE:** The external hard drive must be connected to a USB port on the computer, not to a USB port on an external device such as a hub.

- You will need high-quality DVD-R, DVD+R, BD-R (writable Blu-ray), or CD-R discs. All these discs are purchased separately. DVDs and BDs have a much higher capacity than CDs. If you use CDs, up to 20 discs may be required, whereas only a few DVDs or BDs are required.

 **NOTE:** Read-write discs, such as CD-RW, DVD±RW, double-layer DVD±R, and BD-RE (rewritable Blu-ray) discs, are not compatible with the Recovery Manager software.

- The computer must be connected to AC power during this process.
- Only one set of recovery discs can be created per computer.
- Number each disc before inserting it into the optical drive.
- If necessary, you can exit the program before you have finished creating the recovery discs. The next time you open Recovery Manager, you will be prompted to continue the disc creation process.


To create a set of recovery discs:

1. Select **Start > All Programs > Recovery Manager > Recovery Disk Creation**.
2. Follow the on-screen instructions.

Backing up your information

As you add new software and data files, you should back up your system on a regular basis to maintain a reasonably current backup. Back up your system at the following times:

- At regularly scheduled times


 **NOTE:** Set reminders to back up your information periodically.

- Before the computer is repaired or restored
- Before you add or modify hardware or software

Note the following when backing up:


- Create system restore points using the Windows® System Restore feature, and periodically copy them to disc.
- Store personal files in the Documents library and back up this folder periodically.
- Back up templates stored in their associated programs.
- Save customized settings in a window, toolbar, or menu bar by taking a screen shot of your settings. The screen shot can be a time-saver if you have to reset your preferences.

To copy the screen and paste it into a word-processing document, follow these steps:

1. Display the screen.
 2. Copy the screen:
 - To copy only the active window, press [alt+prt sc](#).
 - To copy the entire screen, press [prt sc](#).
 3. Open a word-processing document, and then select **Edit > Paste**.
 4. Save the document.
- You can back up your information to an optional external hard drive, a network drive, or discs.
 - When backing up to discs, use any of the following types of discs (purchased separately): CD-R, CD-RW, DVD+R, DVD-R, or DVD±RW. The discs you use will depend on the type of optical drive installed in your computer.
-
-  **NOTE:** DVDs store more information than CDs, so using them for backup reduces the number of recovery discs required.
-
- When backing up to discs, number each disc before inserting it into the optical drive of the computer.


Using Windows Backup and Restore

To create a backup using Windows Backup and Restore, follow these steps:

 **NOTE:** Be sure that the computer is connected to AC power before you start the backup process.


NOTE: The backup process may take over an hour, depending on file size and the speed of the computer.

1. Select **Start > All Programs > Maintenance > Backup and Restore**.
2. Follow the on-screen instructions to set up and create a backup.

 **NOTE:** Windows includes the User Account Control feature to improve the security of your computer. You may be prompted for your permission or password for tasks such as installing software, running utilities, or changing Windows settings. Refer to Help and Support for more information.

Using system restore points


When you back up your system, you are creating a system restore point. A system restore point allows you to save and name a snapshot of your hard drive at a specific point in time. You can then recover back to that point if you want to reverse subsequent changes made to your system.

 **NOTE:** Recovering to an earlier restore point does not affect data files saved or e-mails created since the last restore point.

You also can create additional restore points to provide increased protection for your system files and settings.

When to create restore points

- Before you add or extensively modify software or hardware
- Periodically, whenever the system is performing optimally

 **NOTE:** If you revert to a restore point and then change your mind, you can reverse the restoration.

Create a system restore point


1. Select **Start > Control Panel > System and Security > System**.
2. In the left pane, click **System Protection**.
3. Click the **System Protection** tab.
4. Under **Protection Settings**, select the disk for which you want to create a restore point.
5. Click **Create**.
6. Follow the on-screen instructions.

Restore to a previous date and time


To revert to a restore point (created at a previous date and time), when the computer was functioning optimally, follow these steps:

1. Select **Start > Control Panel > System and Security > System**.
2. In the left pane, click **System protection**.
3. Click the **System Protection** tab.
4. Click **System Restore**.
5. Follow the on-screen instructions.

Performing a recovery

 **NOTE:** You can recover only files that you have previously backed up. HP recommends that you use HP Recovery Manager to create a set of recovery discs (entire drive backup) as soon as you set up your computer.

Recovery Manager software allows you to repair or restore the system if you experience system failure or instability. Recovery Manager works from recovery discs or from a dedicated recovery partition (select models only) on the hard drive. However, if your computer includes a solid-state drive (SSD), you may not have a recovery partition. If that is the case, recovery discs have been included with your computer. Use these discs to recover your operating system and software.

 **NOTE:** Windows has its own built-in repair features, such as System Restore. If you have not already tried these features, try them before using Recovery Manager.


NOTE: Recovery Manager recovers only software that was preinstalled at the factory. Software not provided with this computer must be downloaded from the manufacturer's Web site or reinstalled from the disc provided by the manufacturer.

Recovering from the recovery discs

To restore the system from the recovery discs:

1. Back up all personal files.
2. Insert the first recovery disc into the optical drive and restart the computer.
3. Follow the on-screen instructions.

Recovering from the dedicated recovery partition (select models only)

 **NOTE:** Computers with an SSD may not have a recovery partition. If the computer does not have a recovery partition, you will not be able to recover using this procedure. Recovery discs have been included for computers that do not have a partition. Use these discs to recover your operating system and software.

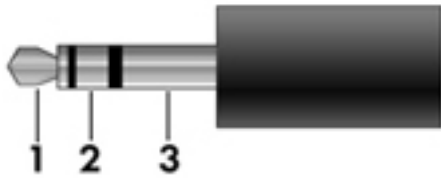
On some models, you can perform a recovery from the partition on the hard drive, accessed by pressing either the Start button or **f11**. This restores the computer to its factory condition.

To restore the system from the partition, follow these steps:

1. Access Recovery Manager in either of the following ways:
 - Select **Start > All Programs > Recovery Manager > Recovery Manager**.
 - or –
 - Turn on or restart the computer, and then press **esc** while the “Press the ESC key for Startup Menu” message is displayed at the bottom of the screen. Then, press **f11** while the “Press <F11> for recovery” message is displayed on the screen.
2. Click **System Recovery** in the **Recovery Manager** window.
3. Follow the on-screen instructions.

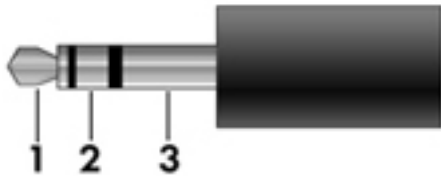
8 Connector pin assignments

Audio-out (headphone)



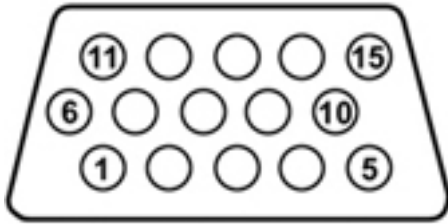
Pin	Signal
1	Audio out, left channel
2	Audio out, right channel
3	Ground

Audio-in (microphone)



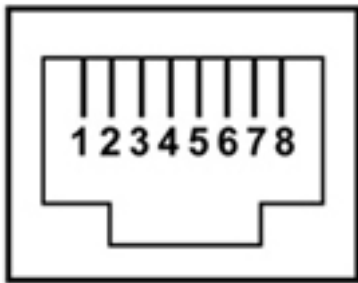
Pin	Signal
1	Audio signal in
2	Audio signal in
3	Ground

External monitor



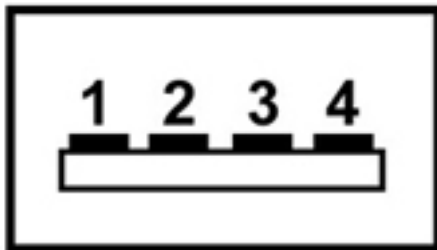
Pin	Signal
1	Red analog
2	Green analog
3	Blue analog
4	Not connected
5	Ground
6	Ground analog
7	Ground analog
8	Ground analog
9	+5 VDC
10	Ground
11	Monitor detect
12	DDC 2B data
13	Horizontal sync
14	Vertical sync
15	DDC 2B clock

RJ-45 (network)



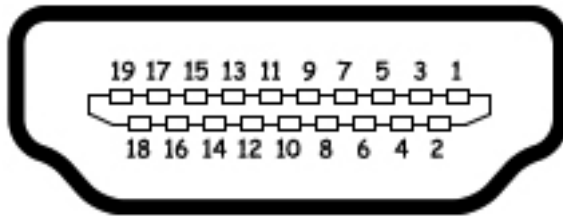
Pin	Signal
1	Transmit +
2	Transmit -
3	Receive +
4	Unused
5	Unused
6	Receive -
7	Unused
8	Unused

Universal Serial Bus



Pin	Signal
1	+5 VDC
2	Data -
3	Data +
4	Ground

HDMI



Pin	Signal
1	TMDS data 2+
2	TMDS data 2 shield
3	TMDS data 2-
4	TMDS data 1+
5	TMDS data 1shield
6	TMDS data 1-
7	TMDS data 0+
8	TMDS data 0 shield
9	TMDS data 0-
10	TMDS clock+
11	TMDS clock shield
12	TMDS clock-
13	CEC
14	No connect
15	DDC clock
16	DDC data
17	Ground
18	+5V power
19	Hot plug detect
20	Shell

9 Power cord set requirements

The wide range input feature of the computer permits it to operate from any line voltage from 100 to 120 volts AC or from 220 to 240 volts AC.

The 3-conductor power cord set included with the computer meets the requirements for use in the country or region where the equipment is purchased.

Power cord sets for use in other countries or regions must meet the requirements of the country or region where the computer is used.

Requirements for all countries or regions

The requirements listed below are applicable to all countries or regions:

- The length of the power cord set must be at least 1.5 m (5.0 ft) and no more than 2.0 m (6.5 ft).
- All power cord sets must be approved by an acceptable accredited agency responsible for evaluation in the country or region where the power cord set will be used.
- The power cord sets must have a minimum current capacity of 10 amps and a nominal voltage rating of 125 or 250 V AC, as required by each country or region's power system.
- The appliance coupler must meet the mechanical configuration of an EN 60 320/IEC 320 Standard Sheet C13 connector for mating with the appliance inlet on the back of the computer.

Requirements for specific countries or regions

Country/region	Accredited agency	Applicable note number
Australia	EANSW	1
Austria	OVE	1
Belgium	CEBC	1
Canada	CSA	2
Denmark	DEMKO	1
Finland	FIMKO	1
France	UTE	1
Germany	VDE	1
Italy	IMQ	1
Japan	METI	3
The Netherlands	KEMA	1
Norway	NEMKO	1
The People's Republic of China	CCC	5
South Korea	EK	4
Sweden	SEMKO	1
Switzerland	SEV	1
Taiwan	BSMI	4
The United Kingdom	BSI	1
The United States	UL	2

1. The flexible cord must be Type HO5VV-F, 3-conductor, 1.0-mm² conductor size. Power cord set fittings (appliance coupler and wall plug) must bear the certification mark of the agency responsible for evaluation in the country or region where it will be used.
2. The flexible cord must be Type SPT-3 or equivalent, No. 18 AWG, 3-conductor. The wall plug must be a two-pole grounding type with a NEMA 5-15P (15 A, 125 V) or NEMA 6-15P (15 A, 250 V) configuration.
3. The appliance coupler, flexible cord, and wall plug must bear a "T" mark and registration number in accordance with the Japanese Dentori Law. The flexible cord must be Type VCT or VCTF, 3-conductor, 1.00-mm² conductor size. The wall plug must be a two-pole grounding type with a Japanese Industrial Standard C8303 (7 A, 125 V) configuration.
4. The flexible cord must be Type RVV, 3-conductor, 0.75-mm² conductor size. Power cord set fittings (appliance coupler and wall plug) must bear the certification mark of the agency responsible for evaluation in the country or region where it will be used.
5. The flexible cord must be Type VCTF, 3-conductor, 0.75-mm² conductor size. Power cord set fittings (appliance coupler and wall plug) must bear the certification mark of the agency responsible for evaluation in the country or region where it will be used.

10 Recycling

Battery

When a battery has reached the end of its useful life, do not dispose of the battery in general household waste. Follow the local laws and regulations in your area for computer battery disposal.

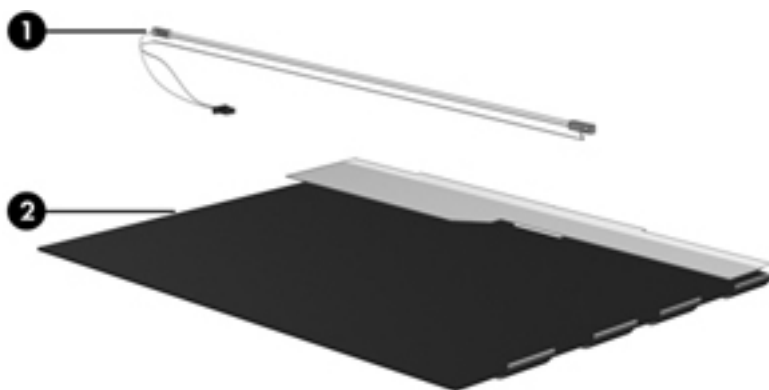
Display

△ **CAUTION:** The procedures in this chapter can result in damage to display components. The only components intended for recycling purposes are the liquid crystal display (LCD) panel and the backlight. When you remove these components, handle them carefully.

📄 **NOTE: Materials Disposal.** This HP product contains mercury in the backlight in the display assembly that might require special handling at end-of-life. Disposal of mercury may be regulated because of environmental considerations. For disposal or recycling information, contact your local authorities, or see the Electronic Industries Alliance (EIA) Web site at <http://www.eiae.org>.

This section provides general disassembly instructions for display assemblies. Specific instructions for your computer may vary. The display assembly must be disassembled to gain access to the backlight **(1)** and the liquid crystal display (LCD) panel **(2)**.

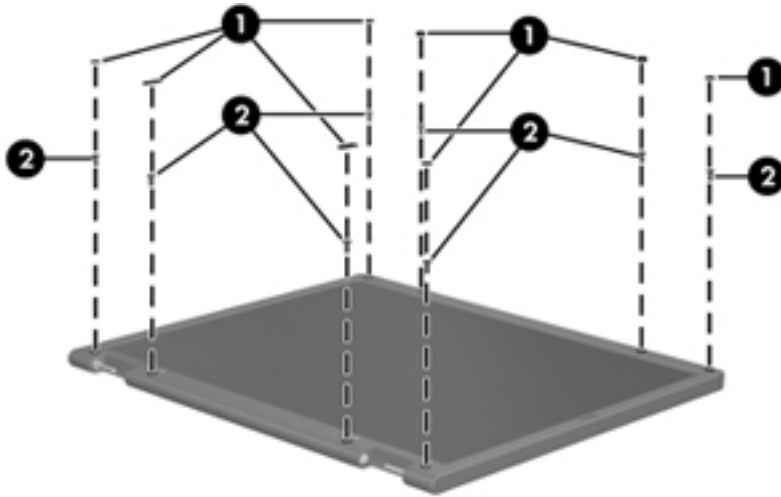
Disassembly procedures may vary from those shown here.



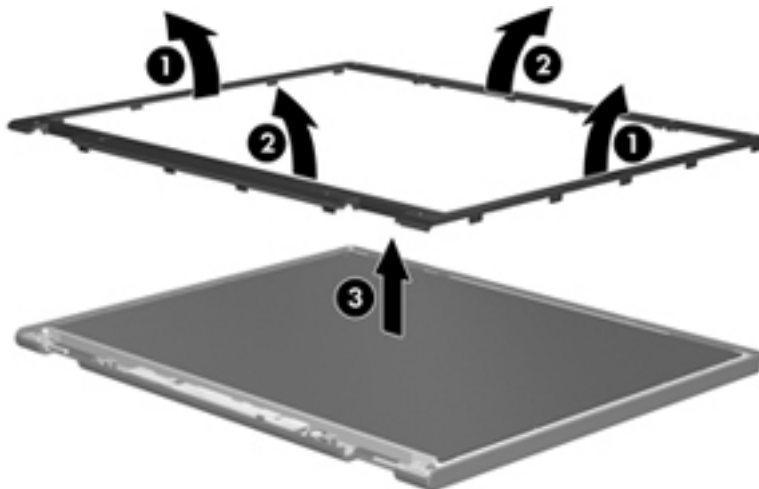
📄 **NOTE:** The procedures provided in this chapter are general disassembly instructions. Specific details, such as screw sizes, quantities, and locations, and component shapes and sizes, can vary from one computer model to another.

Perform the following steps to disassemble the display assembly:

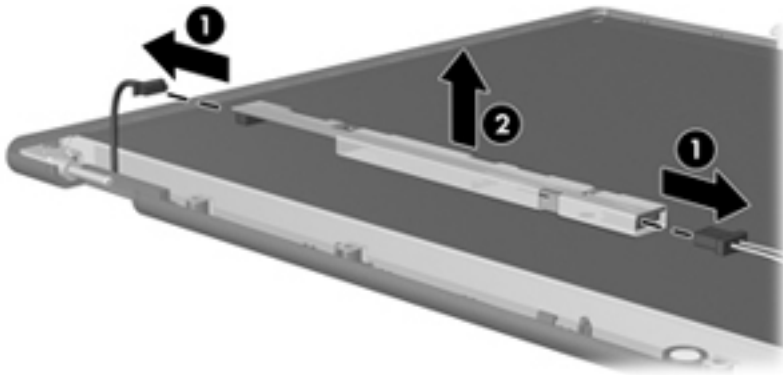
1. Remove all screw covers **(1)** and screws **(2)** that secure the display bezel to the display assembly.



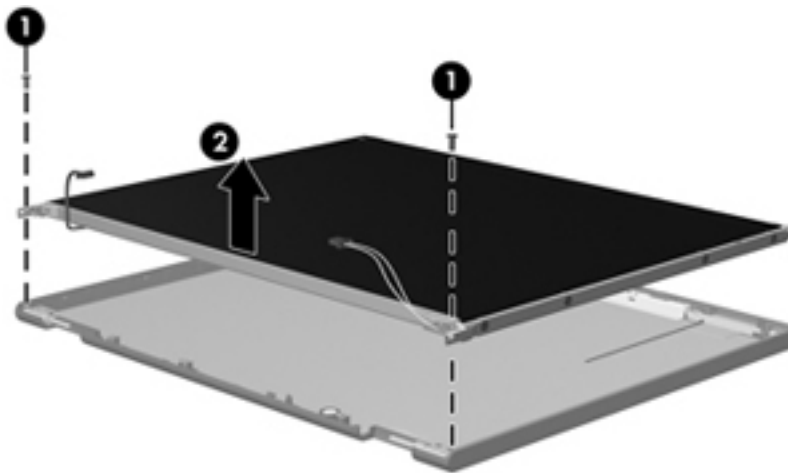
2. Lift up and out on the left and right inside edges **(1)** and the top and bottom inside edges **(2)** of the display bezel until the bezel disengages from the display assembly.
3. Remove the display bezel **(3)**.



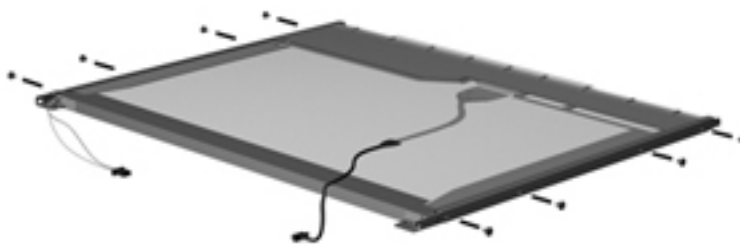
4. Disconnect all display panel cables **(1)** from the display inverter and remove the inverter **(2)**.



5. Remove all screws **(1)** that secure the display panel assembly to the display enclosure.
6. Remove the display panel assembly **(2)** from the display enclosure.

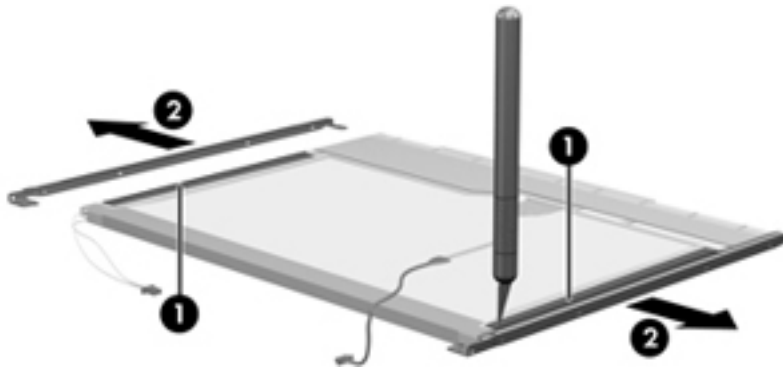


7. Turn the display panel assembly upside-down.
8. Remove all screws that secure the display panel frame to the display panel.



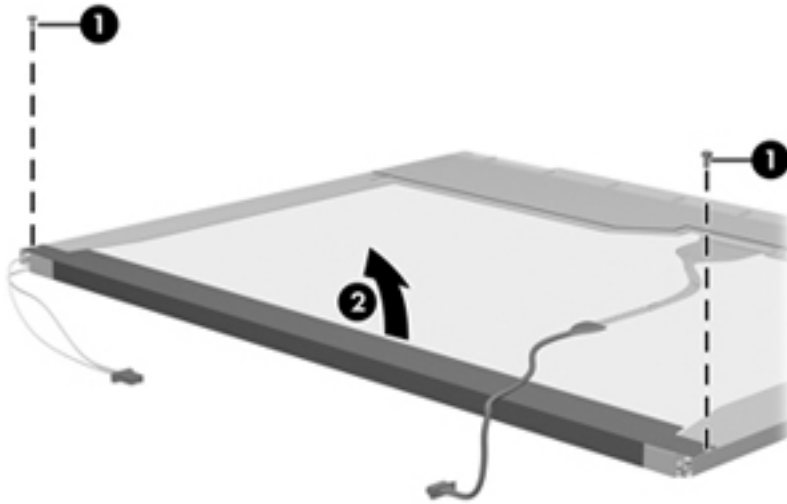
9. Use a sharp-edged tool to cut the tape **(1)** that secures the sides of the display panel to the display panel frame.

10. Remove the display panel frame **(2)** from the display panel.



11. Remove the screws **(1)** that secure the backlight cover to the display panel.

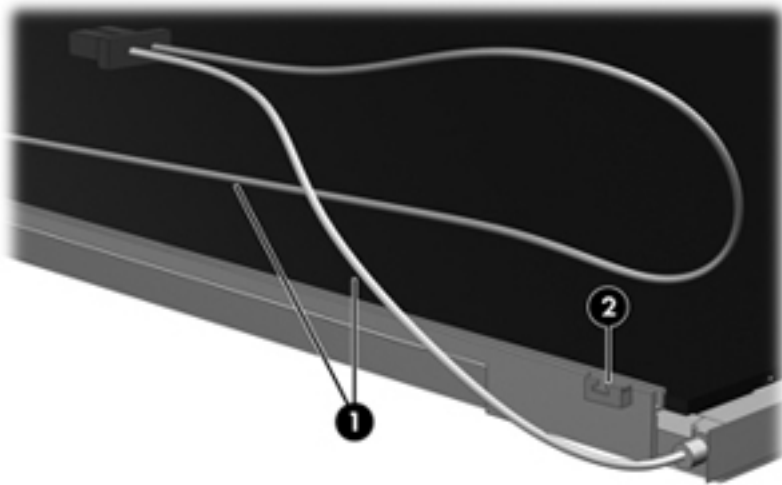
12. Lift the top edge of the backlight cover **(2)** and swing it outward.



13. Remove the backlight cover.

14. Turn the display panel right-side up.

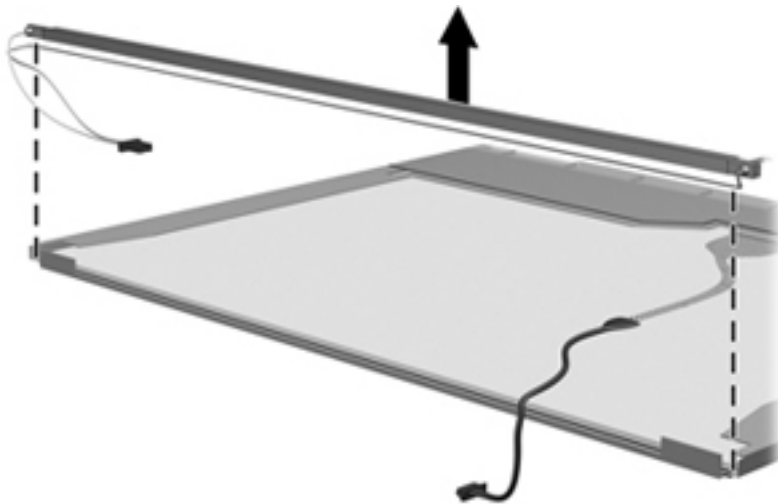
15. Remove the backlight cables (1) from the clip (2) in the display panel.



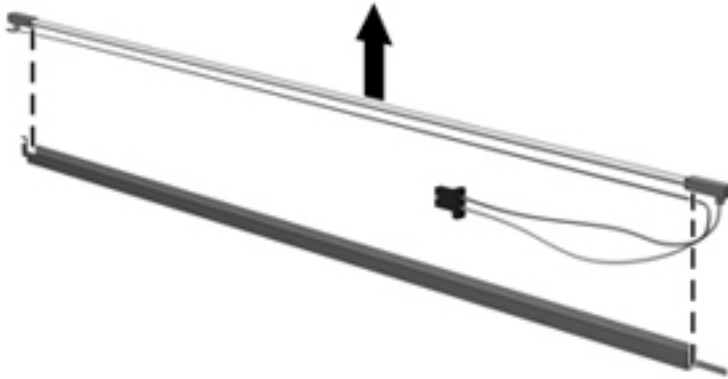
16. Turn the display panel upside-down.

⚠ WARNING! The backlight contains mercury. Exercise caution when removing and handling the backlight to avoid damaging this component and causing exposure to the mercury.

17. Remove the backlight frame from the display panel.



18. Remove the backlight from the backlight frame.

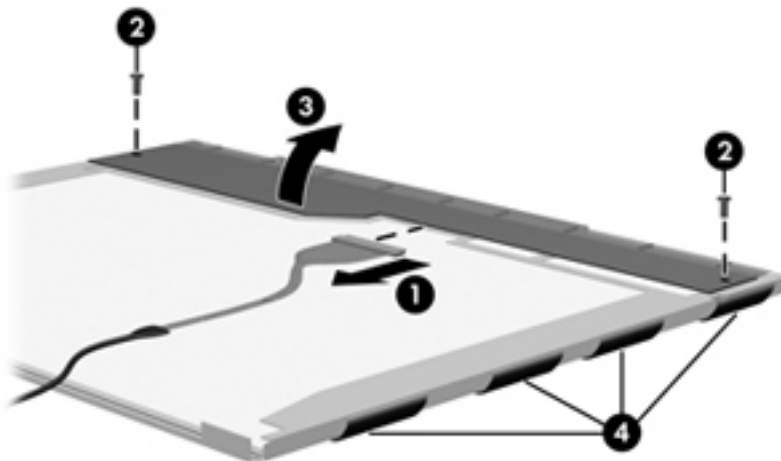


19. Disconnect the display panel cable **(1)** from the LCD panel.

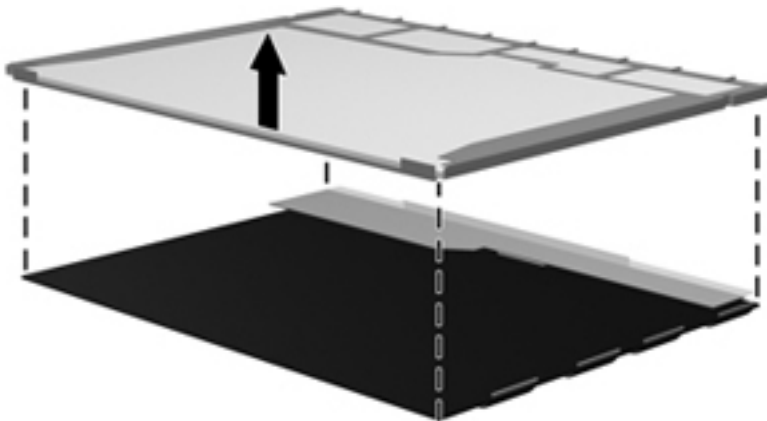
20. Remove the screws **(2)** that secure the LCD panel to the display rear panel.

21. Release the LCD panel **(3)** from the display rear panel.

22. Release the tape **(4)** that secures the LCD panel to the display rear panel.



23. Remove the LCD panel.



24. Recycle the LCD panel and backlight.

Index

Symbols/Numerics

1394 Power Saving 89

A

AC adapter
 identifying 15
AC adapter light, identifying 11
AC adapter, spare part
 number 31
action keys, identifying 9
administrator password 88
antenna, removal 76
antennas, wireless 14
applications key, Windows 9
audio, product description 3
audio-in (microphone) jack
 identifying 12
 pin assignments 103
audio-out (headphone) jack
 identifying 12
 pin assignments 103

B

backing up
 customized window, toolbar,
 and menu bar settings 99
 personal files 99
 templates 99
base enclosure, spare part
 number 22, 31
battery
 identifying 15
 removal 40
 spare part number 29
 spare part numbers 22, 40
battery bay, identifying 13
battery charging light,
 identifying 11
battery release latch 14

bays
 battery 13
 hard drive 14
bezel
 illustrated 24
 spare part number 24, 74
Blu-ray ROM with LightScribe DVD
 ±R/RW SuperMulti DL Drive
 spare part number 31
 specifications 95
Bluetooth cable, spare part
 number 31
Bluetooth module
 removal 64
 spare part number 22, 28, 64
Bluetooth module cable, spare part
 number 22, 64
boot options 89
boot order 89
button sound 89
buttons
 power 8
 TouchPad right/left 6

C

cables, service considerations 34
camera module
 removal 74
 spare part number 74
camera, product description 2
caps lock light, identifying 7
Card Reader Power Saving 89
changing the language of Setup
 Utility 86
chipset, product description 1
compartment, memory module 14
components
 additional hardware 15
 bottom 13

display 10
 front 5, 11
 left-side 12
 rear 13
 right-side 11
 top 6
computer feet
 locations 39
 spare part number 39
computer specifications 91
connector pin assignments
 audio-in 103
 audio-out 103
 external monitor 104
 HDMI 106
 headphone 103
 microphone 103
 monitor 104
 network 105
 RJ-45 105
 Universal Serial Bus (USB) 105
connector, power 11
connectors, service
 considerations 34
cord, power 15

D

Diagnostics menu 90
Digital Media Slot, identifying 11
diskette drive, precautions 34
display assembly
 removal 72
 spare part number 18, 31, 72
display bezel
 illustrated 24
 spare part number 24, 31, 74
display bracket, spare part
 number 31

- display cable kit, spare part number 25, 31
- display component recycling 109
- display components
 - illustrated 24
 - spare part numbers 24
- display enclosure
 - illustrated 24
 - spare part number 25
- display enclosure, spare part number 31
- display hinge cover, spare part number 31
- display hinge kit
 - removal 76
 - spare part number 25
- display panel
 - illustrated 24
 - product description 2
 - removal 75
 - spare part number 24, 75
- display specifications 92
- displaying system information 87
- drive light 12
- drives
 - boot order 89
 - optical 11
 - preventing damage 34
- DVD±RW SuperMulti DL Drive with LightScribe
 - precautions 34
 - spare part number 31
 - spare part numbers 23, 26, 53

E

- electrostatic discharge 35
- esc key, identifying 9
- Ethernet, product description 3
- exiting Setup Utility 88
- external media cards, product description 3
- external monitor port
 - identifying 12
 - pin assignments 104

F

- f11 102
- fan always on 89

- fan/heat sink assembly
 - removal 80
 - spare part number 18, 80
- feet
 - locations 39
 - spare part number 39
- fn key, identifying 9
- front components 5
- full system recovery 97
- function keys, identifying 9

G

- graphics, product description 1
- grounding equipment and methods 37

H

- hard drive
 - precautions 34
 - product description 2
 - removal 50
 - spare part number 31
 - spare part numbers 22, 26, 50
 - specifications 93
- hard drive bay, identifying 14
- hard drive cable, spare part number 22, 26, 31, 50
- hard drive cover
 - illustrated 25
 - removal 51
- hard drive hardware kit
 - spare part number 26
- hard drive hardware kit, spare part number
 - spare part number 31
- hard drive self test 90
- HDMI port
 - identifying 12
 - pin assignments 106
- headphone jack, pin assignments 103

J

- jacks
 - audio-in (microphone) 12
 - audio-out (headphone) 12
 - RJ-45 (network) 12

K

- keyboard
 - product description 3
 - removal 58
 - spare part number 31
 - spare part numbers 18, 58
- keys
 - action 9
 - esc 9
 - fn 9
 - function 9
 - navigation 9
 - Windows applications 9
 - Windows logo 9

L

- LAN Power Saving 89
- language support 89
- latch, battery release 14
- lights
 - AC adapter 11
 - battery charging 11
 - caps lock 7
 - hard drive 12
 - optical drive 11, 12
 - power 7
 - TouchPad 7
 - webcam 10
 - wireless 7

M

- Main menu 88
- mass storage devices, spare part numbers 26
- memory module
 - product description 2
 - removal 41
 - spare part number 30
 - spare part numbers 22, 41
- memory module compartment, identifying 14
- memory test 90
- microphone (internal), identifying 10
- microphone jack, pin assignments 103
- microphone, product description 2
- mini-card compartment cover, illustrated 25

- model name 1
- monitor port
 - external 12
 - pin assignments 104
- N**
- navigating in Setup Utility 86
- navigation keys, identifying 9
- network jack, pin assignments 105
- O**
- ODD connector
 - removal 68
 - spare part number 68
- operating system, product description 4
- optical drive
 - identifying 11
 - precautions 34
 - product description 2
 - removal 53
 - spare part
 - numbers 23, 26, 53
 - specifications 95
- optical drive light, identifying 11
- Optical Drive Mounting Kit, spare part number 31
- P**
- packing guidelines 36
- passwords 88
- performing a recovery 101
- plastic parts 33
- Plastics kit
 - contents 25
 - spare part number 25, 31
- pointing device, product description 3
- ports
 - external monitor 12
 - HDMI 12
 - product description 3
 - USB 11, 12
- power button board
 - removal 70
 - spare part number 31, 70
- power button, identifying 8
- power connector cable
 - removal 66
 - spare part number 18, 32, 66
- power connector, identifying 11
- power cord
 - identifying 15
 - spare part number 27
- power cord set requirements 107
- power cord, spare part number 28
- power light, identifying 7
- power requirements, product description 4
- power-on password 88
- processor
 - product description 1
 - removal 83
 - spare part
 - number 29, 31, 32
 - spare part numbers 18, 83
- Processor C6 State 89
- product description
 - audio 3
 - camera 2
 - chipset 1
 - display panel 2
 - Ethernet 3
 - external media cards 3
 - graphics 1
 - hard drives 2
 - keyboard 3
 - memory module 2
 - microphone 2
 - operating system 4
 - optical drives 2
 - pointing devices 3
 - ports 3
 - power requirements 4
 - processors 1
 - product name 1
 - security 4
 - serviceability 4
 - wireless 3
- product name 1
- R**
- recovering
 - a program or driver 97
 - from the dedicated recovery partition 102
 - from the recovery discs 101
- recovery discs 97, 98
- Recovery Manager 97, 101
- recovery partition 97
- recovery, system 101
- removal/replacement
 - preliminaries 33
 - procedures 38
- restore points 100
- restoring default settings 87
- RJ-45 (network) jack
 - identifying 12
 - pin assignments 105
- RTC battery
 - removal 44
 - spare part
 - number 19, 27, 28, 44
- Rubber feet kit
 - spare part number 27
- Rubber Feet Kit, spare part number 39
- rubber kit
 - spare part number 31
- S**
- Screw Kit, spare part number 31
- secondary hard drive self test 90
- security cable slot, identifying 12
- Security menu 88
- security, product description 4
- selecting in Setup Utility 86
- serial number 16, 38
- service considerations 33
- serviceability, product description 4
- slots
 - Digital Media 11
 - memory module 14
 - security cable 12
- solid-state drive (SSD) 97, 101, 102
- speaker assembly
 - removal 62
 - spare part number 18, 31, 62
- speakers, identifying 8
- specifications
 - Blu-ray ROM with LightScribe DVD±R/RW SuperMulti DL Drive 95
 - computer 91
 - display 92
 - DVD±RW SuperMulti DL Drive with LightScribe 94

- hard drive 93
- optical drive 94, 95
- system resources 96
- starting Setup Utility 85
- static-shielding materials 37
- supported discs 98
- system board
 - removal 78
 - spare part number 31, 32
 - spare part numbers 18, 78
- System Configuration menu 89
- system failure or instability 97
- system information 88
- system recovery 101
- system resources 96
- system restore points 97, 100

T

- thermal module, spare part number 18
- thermal paste, replacement 82
- tools required 33
- top cover
 - removal 54
 - spare part number 18, 31, 54
- TouchPad
 - buttons 6
 - identifying 6
 - light 7
 - on/off indicator 6
- TouchPad zone, identifying 6
- transporting guidelines 36

U

- USB board
 - removal 60
 - spare part number 18, 60
- USB ports
 - identifying 11, 12
 - pin assignments 105
- using Setup Utility 86
- using system restore 100

V

- vents, identifying 12, 13
- Virtualization Technology 89

W

- webcam light, identifying 10

- webcam module
 - removal 74
 - spare part number 24, 31
- webcam, identifying 10
- Windows applications key, identifying 9
- Windows logo key, identifying 9
- wireless antennas 14
- wireless antennas and cables
 - removal 77
 - spare part number 31, 77
- wireless light 7
- wireless, product description 3
- wireless/memory module
 - compartment cover
 - removal 42
 - spare part number 42
- WLAN module
 - removal 45
 - spare part number 28, 29
 - spare part numbers 19, 45
- workstation guidelines 36

