



Vacuum Fluorescent Display (VFD) Installation Guide

HP ap5000 All-In-One Point of Sale System



© Copyright 2010 Hewlett-Packard Development Company, L.P. The information contained herein is subject to change without notice. The only warranties for HP products and services are set forth in the express warranty statements accompanying such products and services. Nothing herein should be construed as constituting an additional warranty. HP shall not be liable for technical or editorial errors or omissions contained herein.

Printed in
First Edition: July 2010



629238-001

Before Your Begin

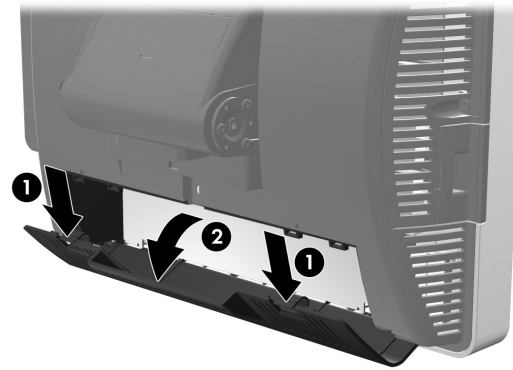
Before installing the Vacuum Fluorescent Display (VFD) be sure to power off the ap5000 and disconnect the power cord from the power outlet.

WARNING! To avoid the risk of serious injury, ensure that the power cord is unplugged from the electrical outlet at the wall before installing the VFD. Failure to do so may expose you to the risk of electric shock.

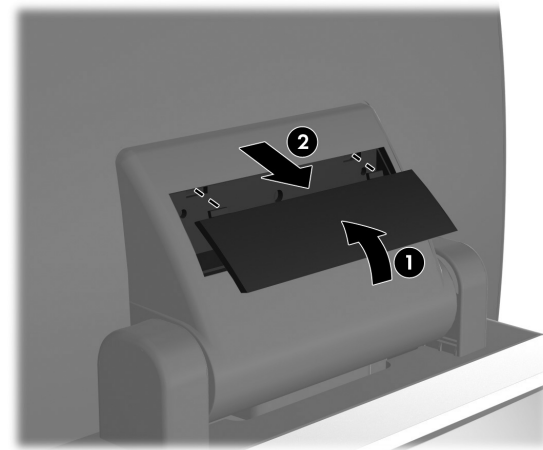
CAUTION: To avoid the risk of damage to the system, ensure that the power cord is unplugged from the electrical outlet at the wall before installing the VFD.

Installing the VFD

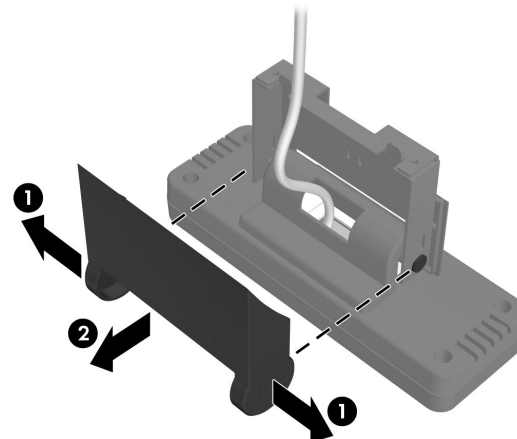
1. Turn off power to the system and disconnect the power cord from the power outlet.
2. Remove the bottom I/O cover by pressing downward on the two tabs at the top of the cover ❶ and rotating the cover off ❷.



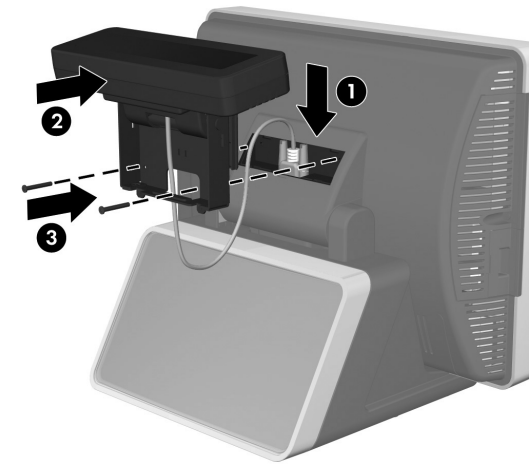
3. Remove the customer display mounting cover by lifting up the bottom of the cover ❶ and sliding the cover off the unit ❷.



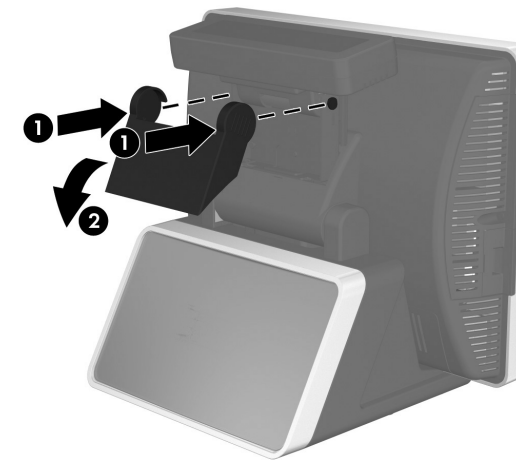
4. Remove the plastic hinge bracket cover from the VFD by pulling outward on both upper sides of the cover ❶ then sliding the cover straight back and off the hinge bracket ❷.



5. Route the serial cable of the VFD through the center hole in the hinge area ❶, slide the VFD into the slot on the hinge ❷, then install the two screws provided to secure the VFD in place ❸.

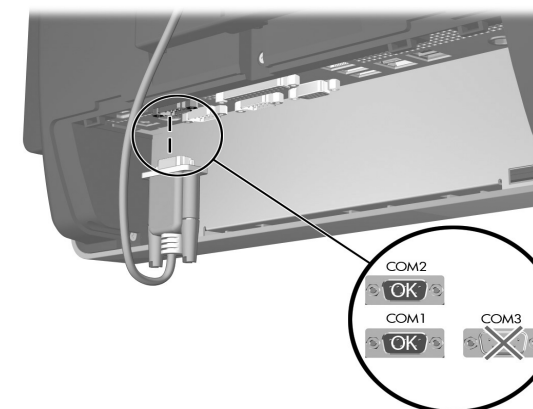


6. Reattach the hinge bracket cover by placing the upper sides of the cover over the sides of the bracket ❶ then pressing the bottom of the cover onto the bracket so that it snaps in place ❷.

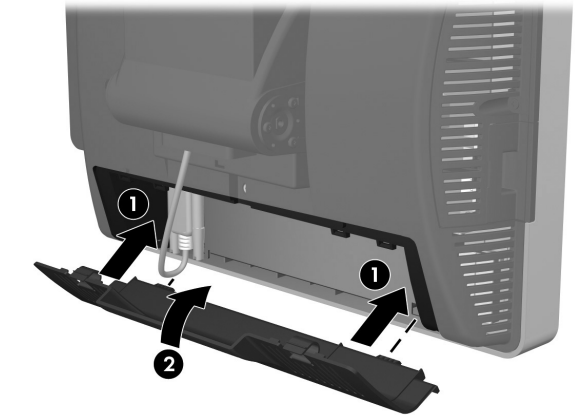


7. Connect the serial cable to either the COM1 or COM2 serial connectors on the back I/O panel. Be sure to tighten the two thumbscrews that secure the cable end to the connector.

CAUTION: DO NOT connect the serial cable to the COM3 serial connector on the back I/O panel. Doing so will cause damage to the VFD when the system is powered on.



8. Replace the I/O cover by inserting the tabs on the bottom of the cover into the slots at the base of the touch screen ❶ and rotating the top of the cover on so that it snaps in place ❷.



9. Reconnect the power cord and press the power button on the I/O panel.



Configuring Power to the COM Port

1. Note which COM port the VFD is connected to on the rear I/O panel. It must be connected to either COM1 or COM2. Ensure that it is NOT connected to COM3.
2. Restart the computer and press the **F10** key immediately upon startup before the computer boots to the operating system to access the Computer Setup utility.
3. In Computer Setup, select the **Advanced** menu, select **Super IO Configuration**, select **Serial Port 1** if the VFD is connected to COM1 or **Serial Port 2** if the VFD is connected to COM2, select **Standard Mode/5V**, then select **5V**.
4. If you set the **Serial Port 2 Standard Mode/5V** port to **5V**, you must set the **SerialPort1 Standard Mode/5V** to **Standard Mode**. Likewise, if you set the **Serial Port1 Standard Mode/5V** port to **5V**, you must set the **Serial Port2 Standard Mode/5V** to **Standard Mode**.
5. Go to the Computer Setup **Exit** menu, and select **Save Changes and Exit**.

Configuring the VFD

To configure the VFD, refer to the *HP Point of Sale Configuration Guide* (available in English only) on the system's hard drive. In Windows XP or Windows Embedded POSReady 2009, select **Start > All Programs > HP Point of Sale Information** to access the guide. In Windows 7, select **Start > HP Point of Sale Information** to access the guide.

Federal Communications Commission Notice

This equipment has been tested and found to comply with the limits for a Class A digital device, pursuant to Part 15 of the FCC Rules. These limits are designed to provide reasonable protection against harmful interference when the equipment is operated in a commercial environment. This equipment generates, uses, and can radiate radio frequency energy and, if not installed and used in accordance with the instructions, may cause harmful interference to radio communications. Operation of this equipment in a residential area is likely to cause harmful interference, in which case the user will be required to correct the interference at personal expense.

Modifications

The FCC requires the user to be notified that any changes or modifications made to this device that are not expressly approved by Hewlett-Packard Company may void the user's authority to operate the equipment.

Cables

Connections to this device must be made with shielded cables with metallic RFI/EMI connector hoods in order to maintain compliance with FCC Rules and Regulations.

Canadian Notice

This Class A digital apparatus meets all requirements of the Canadian Interference-Causing Equipment Regulations.

Avis Canadien

Cet appareil numérique de la classe A respecte toutes les exigences du Règlement sur le matériel brouilleur du Canada.

European Union Regulatory Notice

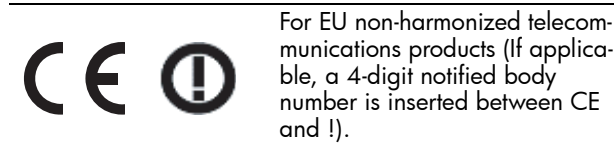
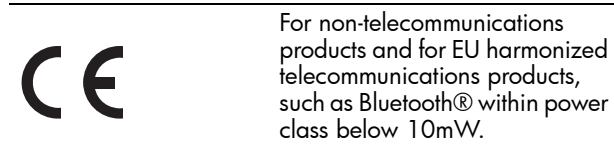
Products bearing the CE marking comply with the following EU Directives:

- Low Voltage Directive 2006/95/EC
- EMC Directive 2004/108/EC
- Ecodesign Directive 2009/125/EC, where applicable

CE compliance of this product is valid if powered with the correct CE-marked AC adapter provided by HP.

Compliance with these directives implies conformity to applicable harmonized European standards (European Norms) that are listed in the EU Declaration of Conformity issued by HP for this product or product family and available (in English only) either within the product documentation or at the following web site: www.hp.eu/certificates (type the product number in the search field).

The compliance is indicated by one of the following conformity markings placed on the product:



Please refer to the regulatory label provided on the product.

The point of contact for regulatory matters is Hewlett-Packard GmbH, Dept./MS: HQ-TRE, Herrenberger Strasse 140, 71034 Boeblingen, GERMANY.

German Ergonomics Notice

HP products which bear the “GS” approval mark, when forming part of a system comprising HP brand computers, keyboards and monitors that bear the “GS” approval mark, meet the applicable ergonomic requirements. The installation guides included with the products provide configuration information.

Japanese Notice

この装置は、クラスA情報技術装置です。この装置を家庭環境で使用すると電波妨害を引き起こすことがあります。この場合には使用者は適切な対策を講ずるよう要求されることがあります。

VCCI-A

Korean Notice

A급 기기 (업무용 방송통신기기)	이 기기는 업무용(A급)으로 전자파적합등록을 한 기기이오니 판매자 또는 사용자는 이 점을 주의하시기 바라며, 가정 외의 지역에서 사용하는 것을 목적으로 합니다.
-----------------------	---

Localized Versions of this Document

Localized versions of this document are available at <http://www.hp.com> for the following languages:

- Brazilian Portuguese
- Dutch
- English
- French
- German
- Bahasa Indonesian
- Italian
- Japanese
- Korean
- Simplified Chinese
- Spanish
- Traditional Chinese
- Thai