

HP Compaq 8710p Notebook PC and
HP Compaq 8710w Mobile Workstation
Maintenance and Service Guide

© Copyright 2007, 2008 Hewlett-Packard Development Company, L.P.

AMD, the AMD Arrow logo, and combinations thereof, are trademarks of Advanced Micro Devices, Inc. Bluetooth is a trademark owned by its proprietor and used by Hewlett-Packard Company under license. Intel and Core are trademarks or registered trademarks of Intel Corporation or its subsidiaries in the United States and other countries. Java is a US trademark of Sun Microsystems, Inc. Microsoft, Windows, and Windows Vista are either trademarks or registered trademarks of Microsoft Corporation in the United States and/or other countries. SD Logo is a trademark of its proprietor.

The information contained herein is subject to change without notice. The only warranties for HP products and services are set forth in the express warranty statements accompanying such products and services. Nothing herein should be construed as constituting an additional warranty. HP shall not be liable for technical or editorial errors or omissions contained herein.

Third Edition: July 2008

First Edition: June 2007

Document Part Number: 453579-003

MSG revision history

Revision	Publication date	Description
A	September 2010	<p>The part number for the T7100 1.8-GHz (2-MB L2 cache, 800-MHz FSB) processor has been updated to 446440-001 in the following locations: Computer major components on page 19, Sequential part number listing on page 31, and Processor on page 77.</p> <p>The 120-GB, 7200-rpm hard drive part number has been corrected to 454987-001 in the following location: Computer major components on page 19.</p> <p>The AC adapters have been updated in the following locations: Miscellaneous parts on page 29 and Sequential part number listing on page 31.</p>

Safety warning notice

-
- ⚠ **WARNING!** To reduce the possibility of heat-related injuries or of overheating the computer, do not place the computer directly on your lap or obstruct the computer air vents. Use the computer only on a hard, flat surface. Do not allow another hard surface, such as an adjoining optional printer, or a soft surface, such as pillows or rugs or clothing, to block airflow. Also, do not allow the AC adapter to contact the skin or a soft surface, such as pillows or rugs or clothing, during operation. The computer and the AC adapter comply with the user-accessible surface temperature limits defined by the International Standard for Safety of Information Technology Equipment (IEC 60950).
-

Table of contents

1 Product description	1
2 External component identification	8
Display components	8
Top components	9
Buttons, switches, and fingerprint reader	9
Keys	10
Lights	11
Pointing devices	13
Front components	14
Left-side components	15
Rear component	16
Right-side components	16
Bottom components	17
3 Illustrated parts catalog	18
Serial number location	18
Computer major components	19
Plastics Kit	27
Cable Kit	28
Mass storage devices	29
Miscellaneous parts	29
Sequential part number listing	31
4 Removal and replacement procedures	39
Preliminary replacement requirements	39
Tools required	39
Service considerations	39
Plastic parts	39
Cables and and pointing stick connectors	40
Drive handling	40
Grounding guidelines	41
Electrostatic discharge damage	41

Packaging and transporting guidelines	42
Workstation guidelines	42
Equipment guidelines	43
Unknown user password	44
Component replacement procedures	45
Serial number	45
Computer feet	45
Battery	46
Display inverter and ambient light sensor board	47
Hard drive	50
Bluetooth module	53
Primary memory module	54
WLAN module	56
RTC battery	59
Optical drive	60
Keyboard	62
Expansion memory module	65
TouchPad	66
Modem module	68
Switch cover	69
Power button board	71
Fan/heat sink assembly	72
Graphics card	74
Heat sink	76
Processor	77
Display assembly	79
Top cover	85
Speaker assembly	87
System board	89
USB/audio board	93
PC Card assembly	94
5 Computer Setup	96
Starting Computer Setup	96
Using Computer Setup	97
Navigating and selecting in Computer Setup	97
Restoring factory settings in Computer Setup	97
Computer Setup menus	98
File menu	98
Security menu	99
Diagnostics menu	99
System Configuration menu	100

6 Specifications	102
Computer specifications	102
17.0-inch, WUXGA+WVA display specifications	103
17.0-inch, WSXGA+WVA display specifications	104
17.0-inch, WXGA+WVA display specifications	105
Hard drive specifications	106
DVD±RW and CD-RW Double-Layer Combo Drive specifications	107
DVD/CD-RW Combo Drive specifications	108
DVD-ROM Drive	109
System DMA specifications	110
System memory map specifications	110
System interrupt specifications	111
System I/O address specifications	112
7 Screw listing	114
Phillips PM2.0×17.0 captive screw	115
Phillips PM2.5×13.0 captive screw	116
Phillips PM3.0×4.0 screw	117
Phillips PM2.5×5.0 captive screw	118
Phillips PM2.0×4.0 screw	119
Torx TM2.5×9.0 screw	121
Torx TM2.5×4.0 screw	123
Phillips PM2.5×9.0 captive screw	126
Torx T8M2.5×7.0 screw	127
Phillips PM2.5×7.0 screw	129
Torx T8M2.0×10.0 captive screw	130
Hex Metric HM5.0×10.0 standoff	131
Phillips PM2.5×7.0 captive screw	132
Phillips PM2.0×6.0 screw	133
8 Backup and recovery	134
Backup and recovery using Windows Vista	134
Creating recovery discs	134
Backing up your information	134
When to back up	135
Backup suggestions	135
Backing up specific files or folders	135
Backing up the entire hard drive	136
Creating recovery points	137
Scheduling backups	137
Performing a recovery	137
Performing a recovery from the recovery discs	138
Performing a recovery from the hard drive	138

Initiating a recovery in Windows	139
Initiating a recovery from the hard drive recovery partition	139
Backup and recovery using Windows XP	140
Creating recovery discs	140
Backing up your information	140
When to back up	141
Backup suggestions	141
Backing up specific files or folders	141
Backing up the entire hard drive	142
Creating recovery points	143
Scheduling backups	143
Performing a recovery	143
Performing a recovery from the recovery discs	144
Performing a recovery from the hard drive	144
Initiating a recovery in Windows	145
Initiating a recovery from the hard drive recovery partition	145
9 Connector pin assignments	146
1394	146
Audio-out (headphone)	146
Audio-in (microphone)	147
External monitor	147
HDMI	148
RJ-11 (modem)	149
RJ-45 (network)	150
Universal Serial Bus	151
10 Power cord set requirements	152
Requirements for all countries and regions	152
Requirements for specific countries and regions	153
11 Recycling	154
Battery	154
Display	154
Index	160

1 Product description

Category	Description	HP Compaq 8710w Mobile Workstation	HP Compaq 8710p Notebook PC
Product Name	HP Compaq 8710w Mobile Workstation	√	
	HP Compaq 8710p Notebook PC		√
Processors	Intel® Core™ 2 Duo processors		
	T9500 2.6-GHz processor 6-MB L2 cache, 800-MHz FSB	√	√
	T9300 2.5-GHz processor 6-MB L2 cache, 800-MHz FSB	√	√
	T8300 2.4-GHz processor 3-MB L2 cache, 800-MHz FSB	√	√
	T8100 2.1-GHz processor 3-MB L2 cache, 800-MHz FSB	√	√
	T7800 2.5-GHz processor 4-MB L2 cache, 800-MHz FSB	√	√
	T7700 2.4-GHz processor 4-MB L2 cache, 800-MHz FSB	√	√
	T7500 2.2-GHz processor 4-MB L2 cache, 800-MHz FSB	√	√
	T7300 2.0-GHz processor 4-MB L2 cache, 800-MHz FSB	√	√
	T7250 2.0-GHz processor 2-MB L2 cache, 800-MHz FSB	√	√
	T7100 1.8-GHz processor 2-MB L2 cache, 800-MHz FSB	√	√
Chipset	Northbridge: Intel 965PM with iAMT support	√	√
	Southbridge: Intel ICH8M-enhanced	√	√
Graphics	nVidia NB8E-GLM (G84GLM-UU) graphics card with 512-MB graphics subsystem memory operating at 800 MHz	√	

Category	Description	HP Compaq 8710w Mobile Workstation	HP Compaq 8710p Notebook PC
	nVidia NB8P-NVS2 (G84M-GT) graphics card with 256-MB graphics subsystem memory operating at 700 MHz (supports TurboCache)		√
	OpenGL driver support	√	
Panel	All display assemblies include 3 wireless local area network (WLAN) antennae	√	√
	17.0-inch WUXGA WVA AntiGlare	√	√
	17.0-inch WSXGA+ WVA AntiGlare	√	√
	17.0-inch WXGA+ AntiGlare	√	√
	17.0-inch WSXGA+ Bright View	√	√
	Supports privacy film	√	√
Memory	2 customer-accessible/upgradable memory module slots	√	√
	Supports dual-channel memory	√	√
	Supports up to 8 GB of system RAM	√	√
	PC2-5300, 667-MHz, DDR2	√	√

Category	Description	HP Compaq 8710w Mobile Workstation	HP Compaq 8710p Notebook PC
	Supports the following configurations:	√	√
	<ul style="list-style-type: none"> • 8192-MB total system memory (4096 × 2, dual-channel) • 6144-MB total system memory (4096 + 2048) • 5120-MB total system memory (4096 + 1024) • 4608-MB total system memory (4096 + 512) • 4096-MB total system memory (2048 × 2, dual channel) • 4096-MB total system memory (4096 × 1) • 3072-MB total system memory (2048 + 1024) • 2560-MB total system memory (2048 + 512) • 2048-MB total system memory (1024 × 2, dual-channel) • 2048-MB total system memory (2048 × 1) • 1536-MB total system memory (1024 + 512) • 1024-MB total system memory (512 × 2, dual-channel) • 1024-MB total system memory (1024 × 1) • 512-MB total system memory (512 × 1) 		
Hard drives	Supports 9.5-mm, 2.5-inch hard drives	√	√
	Customer-accessible	√	√
	Serial ATA	√	√
	Supports the following drives:	√	√
	<ul style="list-style-type: none"> • 250-GB, 5400-rpm • 200-GB, 7200--rpm • 160-GB, 7200- and 5400-rpm • 120-GB, 7200- and 5400-rpm • 100-GB, 7200-rpm • 80-GB, 7200- and 5400-rpm 		

Category	Description	HP Compaq 8710w Mobile Workstation	HP Compaq 8710p Notebook PC
	HP 3D DriveGuard	√	√
Optical drives	Fixed (removal of 1 screw required)	√	√
	Customer-accessible	√	√
	Parallel ATA	√	√
	12.7-mm tray load	√	√
	Supports the following drives:	√	√
	<ul style="list-style-type: none"> • DVD±RW and CD-RW Super Multi Double-Layer Combo Drive with LightScribe • DVD±RW and CD-RW Super Multi Double-Layer Combo Drive • DVD-CD/RW Combo Drive • Blu-Ray DVD-RW Combo Drive • DVD-ROM Drive 		
Diskette drive	Supports external USB diskette drive only	√	√
	Supports boot from external USB diskette drive	√	√
	Supports 3-mode diskette drive	√	√
Microphone	Integrated microphone	√	√
Audio	HD audio - ADI1981	√	√
Modem	56K V.92 1.5-inch data/fax modem with digital line guard	√	√
	HD audio interface	√	√
	Modem cable included in Brazil, the Czech Republic, Europe, France, Greece, Hungary, Israel, Latin America, Poland, Russia, Saudi Arabia, Slovakia, Slovenia, South Africa, Turkey, and the United Kingdom	√	√
Ethernet	Intel 82566MM 10/100/1000 network interface card (NIC) with iAMT	√	√
	S3/S4/S5 wake on LAN: DC - no	√	√
	S3/S4/S5 wake on LAN: AC - yes	√	√
	NIC power-down technology	√	√
Wireless	Integrated WLAN options by way of wireless module:		
	Three WLAN antennae built into display assembly	√	√
	Support for no-WLAN option	√	√

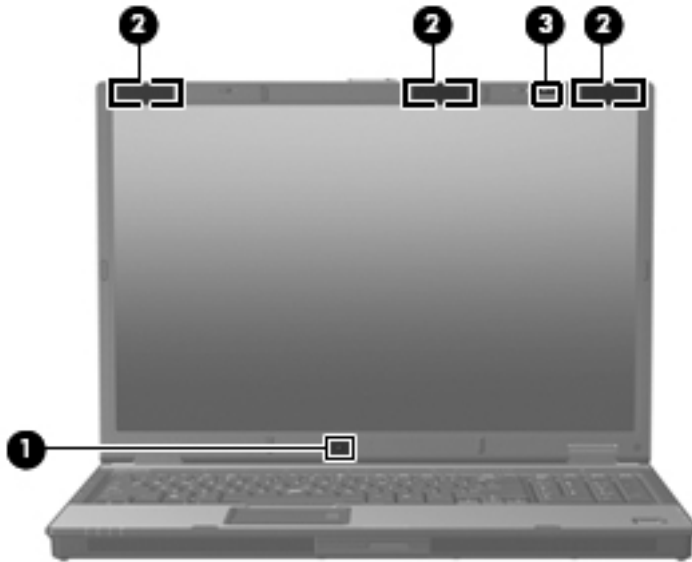
Category	Description	HP Compaq 8710w Mobile Workstation	HP Compaq 8710p Notebook PC
	Support for the following WLAN formats:	√	√
	<ul style="list-style-type: none"> • Intel 802.11a/b/g/n with iAMT support • Broadcom 802.11a/b/g • Intel 802.11a/b/g with iAMT support • Broadcom 802.11b/g 		
Integrated personal area network (PAN) options by way of Bluetooth® module:			
	Support for no-WPAN option	√	√
	Broadcom Bluetooth	√	√
External media card	One Type I/II PC Card slot, supporting 16-bit and 32-bit (Cardbus) PC Card modules	√	√
	Media Card Reader slot supporting SD, MMC, MS, MSP, xD, and Memory Stick Duo	√	√
Ports	Audio-in (mono microphone)	√	√
	Audio-out (stereo headphone)	√	√
	High-Definition Multimedia Interface (HDMI)	√	√
	RJ-11 (modem)	√	√
	RJ-45 (Ethernet, includes link and activity lights)	√	√
	USB (6)	√	√
	VGA (Dsub 15-pin) supporting 1600 × 1200 external resolution at 75-GHz (hot plug/unplug with auto-detect)	√	√
	3-pin AC power	√	√
Docking	HP 3-in-1 NAS Docking Station, HP Advanced Docking Station, and HP Docking Station	√	√
Keyboard/pointing devices	14.4-inch keyboard with separate numeric keypad	√	√
	Dual point (pointing stick and TouchPad) with 3 pointing stick buttons and 3 TouchPad buttons and vertical scrolling (taps enabled as default)	√	√
	TouchPad only, with 2 TouchPad buttons and vertical scrolling (taps enabled as default)		√
	Windows Vista™ Hardware Start Button	√	√

Category	Description	HP Compaq 8710w Mobile Workstation	HP Compaq 8710p Notebook PC
Power requirements	The following AC adapters with localized cable plug support (3-wire plug with ground pin, supports 3-pin DC connector):	√	√
	<ul style="list-style-type: none"> • 180-W PFC AC adapter • 135-W PFC AC adapter • 120-W non-PFC and PFC AC adapters • 90-W non-PFC and PFC AC adapters 		
	8-cell, 2.55-Ah (73-Wh) Li-ion battery	√	√
	Support for 8-cell Extended Life Battery	√	√
	Support for 12-cell Ultra Capacity Battery	√	√
Security	Full volume encryption	√	√
	Integrated fingerprint reader	√	√
	Integrated smart card reader	√	√
	Preboot authentication (password, smart card)	√	√
	Security cable slot	√	√
	Trusted platform module (TPM) V.1.2	√	√
Operating system	Preinstalled:		
	Windows Vista Business 32/64	√	√
	Windows Vista Home Basic 32	√	√
	Windows® XP Professional	√	√
	FreeDOS	√	√
	Preinstalled with Microsoft® Office:		
	Windows Vista Business 32/64 with Office 2007 Ready	√	√
	Windows Vista Business 32/64 with Office 2007 Personal		√
	Windows XP Professional with Office 2007 Ready	√	√
	Windows XP Professional with Office 2007 Personal	√	√
	Restore media:		
	Windows Vista Business 32/64	√	√
	Windows Vista Home Basic 32	√	√

Category	Description	HP Compaq 8710w Mobile Workstation	HP Compaq 8710p Notebook PC
	Windows XP Professional	√	√
	DRDVD XP	√	√
	DRDVD Vista	√	√
	Supported:		
	Windows® 2000	√	√
	Certified:		
	Linux	√	√
Serviceability	End-user replaceable parts:		
	AC adapter	√	√
	Battery (system)	√	√
	Battery (RTC)	√	√
	Hard drive	√	√
	Memory module	√	√
	Modem module	√	√
	Optical drive	√	√
	WLAN module	√	√

2 External component identification

Display components



Item	Component	Function
(1)	Ambient light sensor	When activated, the sensor automatically adjusts the display brightness based on the surrounding lighting conditions.
(2)	Wireless antenna locations	Send and receive wireless signals to communicate with WLANs.
(3)	Internal microphone	Records sound.

Top components


Buttons, switches, and fingerprint reader

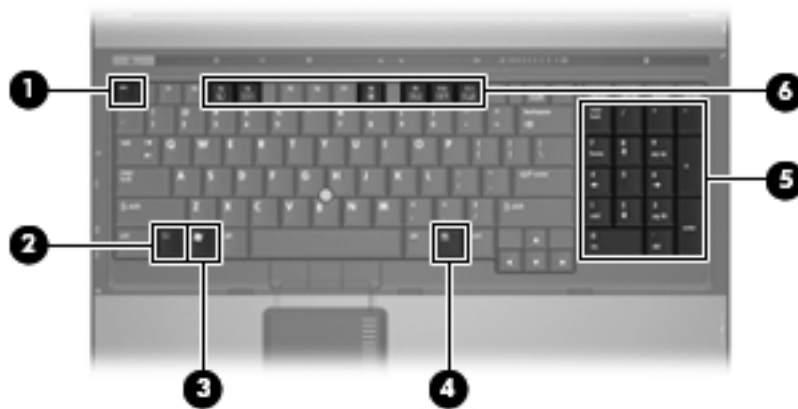


Item	Component	Function
(1)	Power button	<ul style="list-style-type: none">• When the computer is off, press the button to turn on the computer.• When the computer is on, press the button to shut down the computer.• When the computer is in the Sleep state (Windows Vista) or in Standby (Windows XP), press the button briefly to exit the Sleep state or Standby.• When the computer is in Hibernation, press the button briefly to exit Hibernation. <p>If the computer has stopped responding and Windows® shutdown procedures are ineffective, press and hold the power button for at least 5 seconds to turn off the computer.</p> <p>To learn more about power settings, follow these steps:</p> <ul style="list-style-type: none">• In Windows Vista, select Start > Control Panel > System and Maintenance > Power Options.• In Windows XP, select Start > Control Panel > Performance and Maintenance > Power Options.
(2)	Info button	Launches Info Center, which enables you to open various software solutions.
(3)	Wireless button	Turns the wireless feature on or off, but does not establish a wireless connection. NOTE: A wireless network must be set up in order to establish a wireless connection.
(4)	Presentation button	Starts the presentation feature.
(5)	Volume mute button	Mutes and restores speaker sound.

Item	Component	Function
(6)	Volume scroll zone	Adjusts speaker volume. Slide your finger to the left to decrease volume and to the right to increase volume. You can also press the left side of the volume slider to decrease volume, or press the right side of the volume slider to increase volume.
(7)	Calculator button	Turns on the Windows calculator function.
(8)	HP Fingerprint Sensor (fingerprint reader)	Allows a fingerprint logon to Windows, instead of a password logon.

Keys

 **NOTE:** Your computer may look slightly different from the illustration in this section.



Item	Component	Function
(1)	<code>esc</code> key	Displays system information when pressed in combination with the <code>fn</code> key.
(2)	<code>fn</code> key	Executes frequently used system functions when pressed in combination with a function key or the <code>esc</code> key.
(3)	Windows logo key	Displays the Windows Start menu.
(4)	Windows applications key	Displays a shortcut menu for items beneath the pointer.
(5)	Integrated numeric keypad	Can be used like the keys on an external numeric keypad.
(6)	Function keys	Execute frequently used system functions when pressed in combination with the <code>fn</code> key.

Lights



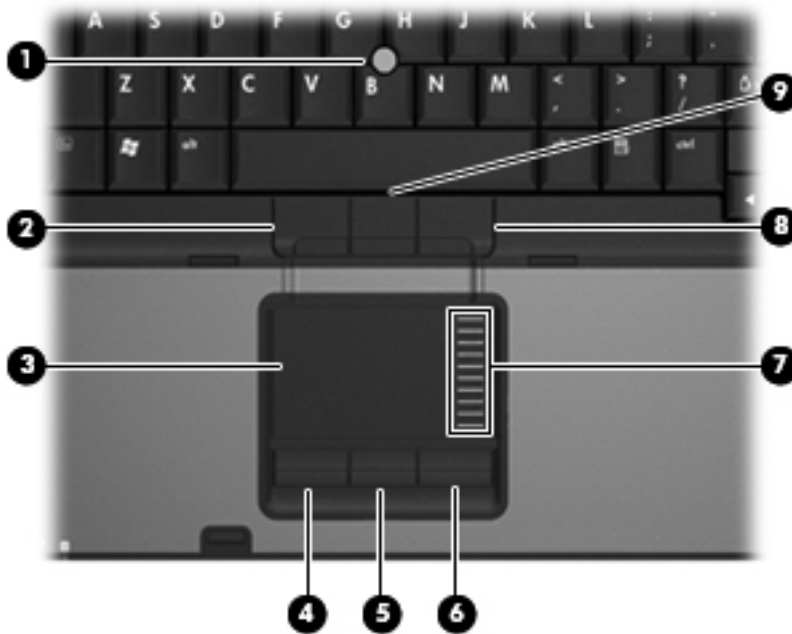
Item	Component	Function
(1)	Wireless lights (2)*	<ul style="list-style-type: none"> On: An integrated wireless device, such as a WLAN device and/or a Bluetooth® device, is on. Off: All wireless devices are off.
(2)	Power lights (2)†	<ul style="list-style-type: none"> On: The computer is on. Blinking: The computer is in the Sleep state (Windows Vista) or Standby (Windows XP). Blinking rapidly: An AC adapter with a higher power rating should be connected. Off: The computer is off or in Hibernation.
(3)	Battery light	<ul style="list-style-type: none"> Amber: A battery is charging. Green: A battery is close to full charge capacity. Blinking amber: A battery that is the only available power source has reached a low battery level. When the battery reaches a critical battery level, the battery light begins blinking rapidly. Off: If the computer is plugged into an external power source, the light turns off when all batteries in the computer are fully charged. If the computer is not plugged into an external power source, the light stays off until the battery reaches a low battery level.
(4)	Drive light	<ul style="list-style-type: none"> Blinking green: The hard drive or optical drive is being accessed. Amber: HP 3D DriveGuard has temporarily parked the internal hard drive.
(5)	Caps lock light	On: Caps lock is on.
(6)	Num lock light	On: Num lock is on or the integrated numeric keypad is enabled.

Item	Component	Function
(7)	Volume mute light	<ul style="list-style-type: none"> • Amber: Computer sound is turned off. • On: Computer sound is turned on.
(8)	Volume down light	On: The volume scroll zone is being used to decrease speaker volume.
(9)	Volume up light	On: The volume scroll zone is being used to increase speaker volume.

*The 2 wireless lights display the same information. The light on the wireless button is visible only when the computer is open. The wireless light on the front of the computer is visible whether the computer is open or closed.

†The 2 power lights display the same information. The light on the power button is visible only when the computer is open. The power light on the front of the computer is visible whether the computer is open or closed.

Pointing devices

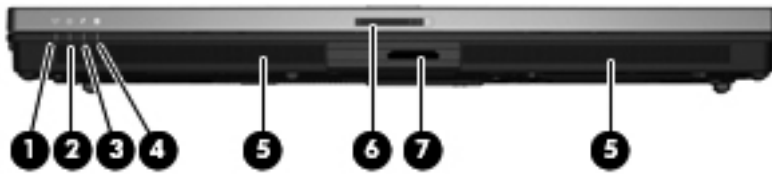


Item	Component	Function
(1)	Pointing stick*	Moves the pointer and selects or activates items on the screen.
(2)	Left pointing stick button*	Functions like the left button on an external mouse.
(3)	TouchPad*	Moves the pointer and selects or activates items on the screen.
(4)	Left TouchPad button*	Functions like the left button on an external mouse.
(5)	Center TouchPad button*	Functions like the center button on an external mouse.
(6)	Right TouchPad button*	Functions like the right button on an external mouse.
(7)	TouchPad scroll zone	Scrolls up or down.
(8)	Right pointing stick button*	Functions like the right button on an external mouse.
(9)	Center pointing stick button*	Functions like the center button on an external mouse.

*This table describes factory settings. View or change pointing device preferences as follows:

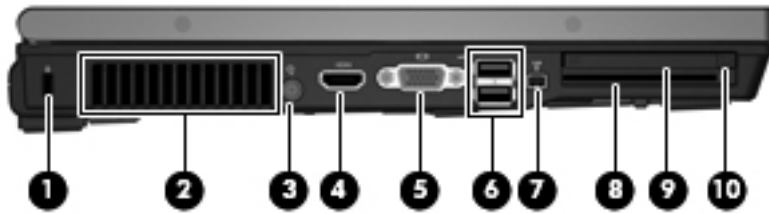
- In Windows Vista, select **Start > Control Panel > Hardware and Sound > Mouse**.
- In Windows XP, select **Start > Control Panel > Printers and Other Hardware > Mouse**.

Front components



Item	Component	Function
(1)	Wireless light	<ul style="list-style-type: none"> On: An integrated wireless device, such as a WLAN device and/or a Bluetooth device, is on. Off: All wireless devices are off.
(2)	Power light	<ul style="list-style-type: none"> On: The computer is on. Blinking: The computer is in the Sleep state (Windows Vista) or in Standby (Windows XP). Blinking rapidly: An AC adapter with a higher power rating should be connected. Off: The computer is off or in Hibernation.
(3)	Battery light	<ul style="list-style-type: none"> Amber: A battery is charging. Green: A battery is close to full charge capacity. Blinking amber: A battery that is the only available power source has reached a low battery level. When the battery reaches a critical battery level, the battery light begins blinking rapidly. Off: If the computer is plugged into an external power source, the light turns off when all batteries in the computer are fully charged. If the computer is not plugged into an external power source, the light stays off until the battery reaches a low battery level.
(4)	Drive light	<ul style="list-style-type: none"> Blinking green: The hard drive or optical drive is being accessed. Amber: HP 3D DriveGuard has temporarily parked the hard drive.
(5)	Speakers (2)	Produce sound.
(6)	Display release latch	Opens the computer.
(7)	Media Card Reader	Supports the following optional digital card formats: Secure Digital (SD) Memory Card, Memory Stick Pro, Memory Stick Duo, xD-Picture Card, and MultiMediaCard (MMC).

Left-side components



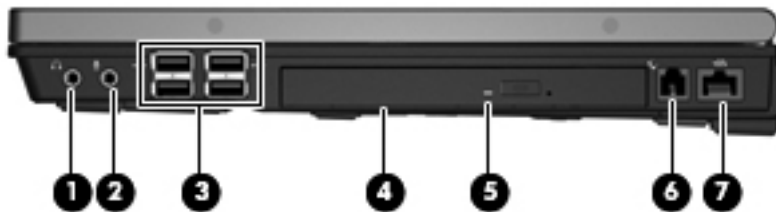
Item	Component	Function
(1)	Security cable slot	Attaches an optional security cable to the computer. NOTE: The security cable is designed to act as a deterrent, but it may not prevent the computer from being mishandled or stolen.
(2)	Vent	Enables airflow to cool internal components. NOTE: The computer fan starts up automatically to cool internal components and prevent overheating. It is normal for the internal fan to cycle on and off during routine operation.
(3)	Power connector	Connects an AC adapter.
(4)	HDMI port	Connects an optional HDMI device.
(5)	External monitor port	Connects an external VGA monitor or projector.
(6)	USB ports (2)	Connect optional USB devices.
(7)	1394 port	Connects an optional IEEE 1394 or 1394a device, such as a camcorder.
(8)	Smart card reader	Supports smart cards and Java™ cards.
(9)	PC Card slot	Supports optional Type I or Type II 32-bit (CardBus) or 16-bit PC Cards.
(10)	PC Card eject button	Ejects a PC Card from the PC Card slot.

Rear component



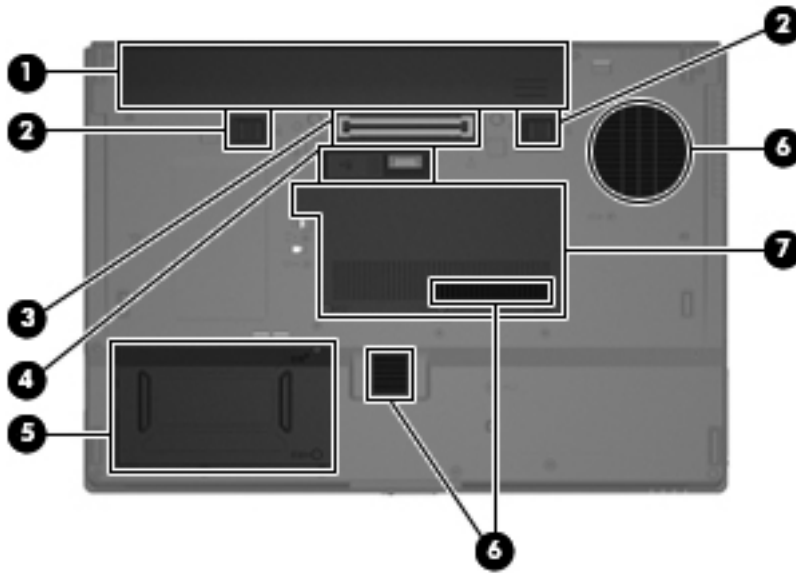
Component	Function
Vent	Enables airflow to cool internal components. NOTE: The computer fan starts up automatically to cool internal components and prevent overheating. It is normal for the internal fan to cycle on and off during routine operation.

Right-side components



Item	Component	Function
(1)	Audio-out (headphone) jack	Produces sound when connected to optional powered stereo speakers, headphones, ear buds, a headset, or television audio.
(2)	Audio-in (microphone) jack	Connects an optional computer headset microphone, stereo array microphone, or monaural microphone.
(3)	USB ports (4)	Connects up to 4 optional USB devices.
(4)	Optical drive	Reads an optical disc.
(5)	Optical drive button	Releases the media tray.
(6)	RJ-11 (modem) jack	Connects a modem cable.
(7)	RJ-45 (network) jack	Connects a network cable.

Bottom components

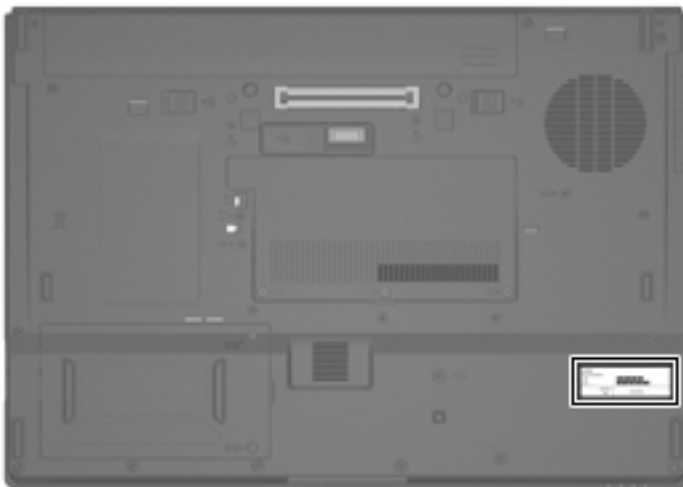


Item	Component	Function
(1)	Battery bay	Holds the battery.
(2)	Battery release latches (2)	Release the battery from the battery bay.
(3)	Docking connector	Connects an optional docking device.
(4)	Accessory battery connector (slide open to expose)	Connects an optional accessory battery.
(5)	Hard drive bay	Contains the hard drive and the Bluetooth module.
(6)	Vents (3)	Enable airflow to cool internal components. NOTE: The computer fan starts up automatically to cool internal components and prevent overheating. It is normal for the internal fan to cycle on and off during routine operation.
(7)	Memory module/WLAN module compartment	Contains the expansion memory module slot, the WLAN module slot, and the RTC battery. CAUTION: To prevent an unresponsive system, replace the wireless module only with a wireless module authorized for use in the computer by the governmental agency that regulates wireless devices in your country or region. If you replace the module and then receive a warning message, remove the module to restore computer functionality, and then contact technical support through Help and Support.

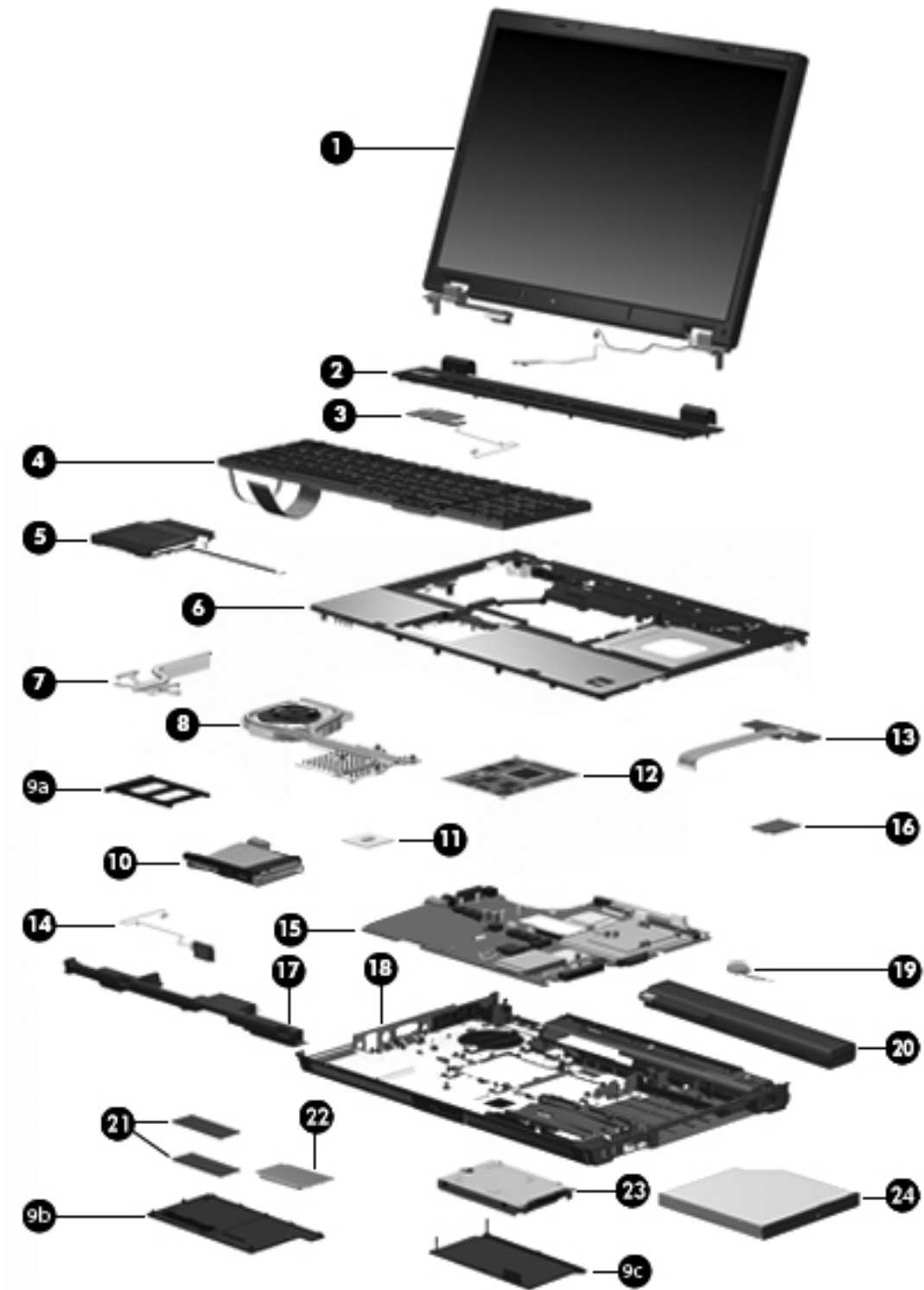
3 Illustrated parts catalog

Serial number location

When ordering parts or requesting information, provide the computer serial number and model number located on the bottom of the computer.



Computer major components



Item	Description	Spare part number
(1)	Display assemblies (include 3 WLAN antenna transceivers and cables)	
	17.0-inch, WUXGA WVA AntiGlare	450582-001

Item	Description	Spare part number
	17.0-inch, WSXGA+ WVA AntiGlare	450580-001
	17.0-inch, WSXGA+ WVA BrightView	450581-001
	17.0-inch, WXGA+ AnitGlare	450583-001
	Display internal components (not illustrated):	
	Ambient light sensor board	450480-001
	Display bezel	450500-001
	Display inverter	450498-001
	Display Bracket Kit (includes left and right display hinges)	450570-001
	Display panel cable	450571-001
	Wireless Antenna Kit (includes 3 WLAN antenna transceivers and cables)	450475-001
	Display enclosure for use with WUXGA display assemblies (includes 3 WLAN antenna transceivers and cables)	456223-001
	Display enclosure for use with WSXGA+ and WXGA+ display assemblies (includes 3 WLAN antenna transceivers and cables)	450572-001
	Display Rubber Kit (includes display bezel rubber screw covers)	450573-001
	Display Screw Kit	450574-001
(2)	Switch cover (includes LED board and cable)	450479-001
(3)	Power button board (includes cable)	450481-001
(4)	Keyboards with pointing stick (include pointing stick cable)	
	For use in Belgium	450471-A41
	For use in Brazil	450471-201
	For use in the Czech Republic	450471-221
	For use in Denmark	450471-081
	For use in France	450471-051
	For use in French Canada	450471-121
	For use in Germany	450471-041
	For use in Greece	450471-151
	For use in Hungary	450471-211
	For use in Iceland	450471-DD1
	For use in Israel	450471-BB1
	For use in Italy	450471-061
	For use in Japan	450471-291
	For use in Latin America	450471-161
	For use in the Netherlands and Europe	450471-021
	For use in Norway	450471-091

Item	Description	Spare part number
	For use in Portugal	450471-131
	For use in Russia	450471-251
	For use in Saudi Arabia	450471-171
	For use in Slovakia	450471-231
	For use in Slovenia	450471-BA1
	For use in South Korea	450471-AD1
	For use in Spain	450471-071
	For use in Sweden and Finland	450471-B71
	For use in Switzerland	450471-111
	For use in Taiwan	450471-AB1
	For use in Thailand	450471-281
	For use in Turkey	450471-141
	For use in the United Kingdom	450471-031
	For use in the United States	450471-001
	Keyboards without pointing stick	
	For use in Belgium	450472-A41
	For use in Brazil	450472-201
	For use in the Czech Republic	450472-221
	For use in Denmark	450472-081
	For use in France	450472-051
	For use in French Canada	450472-121
	For use in Germany	450472-041
	For use in Greece	450472-151
	For use in Hungary	450472-211
	For use in Iceland	450472-DD1
	For use in Israel	450472-BB1
	For use in Italy	450472-061
	For use in Japan	450472-291
	For use in Latin America	450472-161
	For use in the Netherlands and Europe	450472-021
	For use in Norway	450472-091
	For use in Portugal	450472-131
	For use in Russia	450472-251
	For use in Saudi Arabia	450472-171

Item	Description	Spare part number
	For use in Slovakia	450472-231
	For use in Slovenia	450472-BA1
	For use in South Korea	450472-AD1
	For use in Spain	450472-071
	For use in Sweden and Finland	450472-B71
	For use in Switzerland	450472-111
	For use in Taiwan	450472-AB1
	For use in Thailand	450472-281
	For use in Turkey	450472-141
	For use in the United Kingdom	450472-031
	For use in the United States	450472-001
(5)	TouchPads (include TouchPad cable)	
	For use with keyboards with a pointing stick, includes 3 pointing stick buttons and 3 TouchPad buttons	450597-001
	For use with keyboards without a pointing stick, includes 2 TouchPad buttons	450596-001
(6)	Top covers (include fingerprint reader board and cable)	
	For use with HP Compaq 8710w computer models	451379-001
	For use with HP Compaq 8710p computer models	450595-001
(7)	Graphics card fan/heat sink (includes replacement thermal material)	450594-001
(8)	Heat sink assemblies (include replacement thermal material)	
	For use only with computer models equipped with processors with 3- or 6-MB L2 cache	468593-001
	For use only with computer models equipped with processors with 2- or 4-MB L2 cache	450593-001
	Plastics Kit (see Plastics Kit on page 27 for more Plastics Kit spare part information):	450585-001
(9a)	PC Card slot bezel	
(9b)	Memory module/WLAN module compartment cover (includes 3 captive screws, secured by C-clips)	
	Computer feet (not illustrated; 9 feet in 4 different sizes)	
(9c)	Hard drive cover (includes 2 captive screws, secured by C-clips)	
(10)	PC Card assembly	450584-001
(11)	Intel Core 2 Duo processors (include replacement thermal material)	
	T9500 2.6-GHz processor (6-MB L2 cache, 800-MHz FSB)	463051-001
	T9300 2.5-GHz processor (6-MB L2 cache, 800-MHz FSB)	463050-001
	T8300 2.4-GHz processor (3-MB L2 cache, 800-MHz FSB)	463049-001
	T8100 2.1-GHz processor (3-MB L2 cache, 800-MHz FSB)	463048-001
	T7800 2.6-GHz processor (4-MB L2 cache, 800-MHz FSB)	458218-001
	T7700 2.4-GHz processor (4-MB L2 cache, 800-MHz FSB)	450589-001

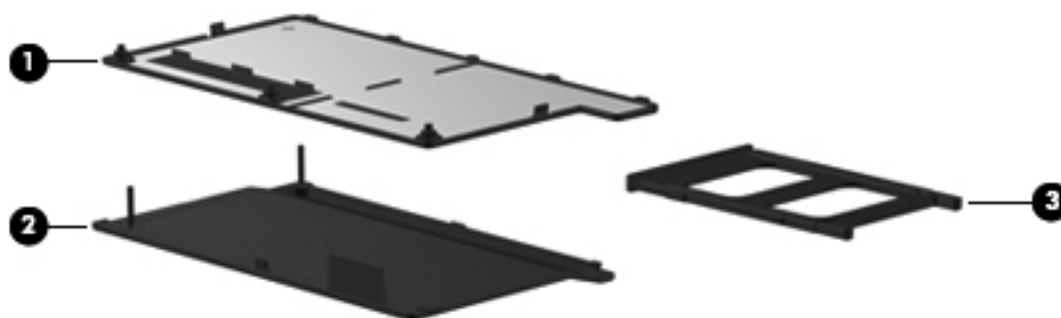
Item	Description	Spare part number
	T7500 2.2-GHz processor (4-MB L2 cache, 800-MHz FSB)	450588-001
	T7300 2.0-GHz processor (4-MB L2 cache, 800-MHz FSB)	450587-001
	T7250 2.0-GHz processor (4-MB L2 cache, 800-MHz FSB)	460283-001
	T7100 1.8-GHz processor (2-MB L2 cache, 800-MHz FSB)	446440-001
(12)	Graphics cards (include replacement thermal material)	
	For use only with computer models equipped with processors with 3- or 6-MB L2 cache	468592-001
	For use only with HP Compaq 8710w computer models (nVidia NB8E-GLM graphics card with 512-MB graphics subsystem memory operating at 800 MHz)	451377-001
	For use only with HP Compaq 8710p computer models (nVidia NB8P-NVS2 graphics card with 256-MB graphics subsystem memory operating at 700 MHz; supports TurboCache)	450484-001
(13)	USB/audio board (includes 2-into-1 USB board cable and audio board cable)	450483-001
(14)	Bluetooth module (includes Bluetooth module cable)	450485-001
(15)	System boards (include replacement thermal material)	
	For use only with computer models equipped with processors with 3- or 6-MB L2 cache	468591-001
	For use only with computer models equipped with processors with 2- or 4-MB L2 cache	450482-001
(16)	Modem module	443899-001
(17)	Speaker assembly	450592-001
(18)	Base enclosure (includes rubber feet)	450476-001
	Rubber Kit (includes 9 feet in 4 different sizes)	450590-001
(19)	RTC battery	450478-001
(20)	8-cell, 5.1-Ah, Li-ion battery	450477-001
(21)	Memory modules	
	4096-MB memory module (PC2-5300, 667-MHz, DDR2)	469650-001
	2048-MB memory module (PC2-5300, 667-MHz, DDR2)	450576-001
	1024-MB memory module (PC2-5300, 667-MHz, DDR2)	450575-001
	512-MB memory module (PC2-5300, 667-MHz, DDR2)	450577-001
(22)	WLAN modules	
	Intel 802.11a/b/g/n WLAN modules:	
	<ul style="list-style-type: none"> For use in Antigua and Barbuda, Argentina, Aruba, the Bahamas, Barbados, Bermuda, Brunei, Canada, the Cayman Islands, Chile, Colombia, Costa Rica, the Dominican Republic, Ecuador, El Salvador, Guam, Guatemala, Haiti, Honduras, Hong Kong, India, Indonesia, Malaysia, Mexico, Panama, Paraguay, Peru, Saudi Arabia, Taiwan, Uruguay, the United States, Venezuela, and Vietnam 	441086-001
	<ul style="list-style-type: none"> For use in Austria, Azerbaijan, Bahrain, Belgium, Brazil, Bulgaria, Croatia, Cyprus, the Czech Republic, Denmark, Egypt, Estonia, Finland, France, Georgia, Germany, Greece, Hungary, Iceland, Ireland, Israel, Italy, Latvia, Lebanon, Liechtenstein, Lithuania, Luxembourg, Malta, Monaco, the Netherlands, Norway, Oman, the Philippines, Poland, Portugal, Qatar, Romania, Russia, Serbia and Montenegro, Singapore, Slovakia, Slovenia, South Africa, Spain, Sri Lanka, Sweden, Switzerland, Turkey, Ukraine, the United Kingdom, and Uzbekistan 	441086-002

Item	Description	Spare part number
	<ul style="list-style-type: none"> For use in Australia, New Zealand, Pakistan, the People's Republic of China, and South Korea 	441086-003
	<ul style="list-style-type: none"> For use in Japan 	441086-291
	<ul style="list-style-type: none"> For use in South Korea 	441086-AD1
Broadcom 802.11a/b/g WLAN modules:		
	<ul style="list-style-type: none"> For use in Canada, Cayman Islands, Guam, Puerto Rico, the U.S. Virgin Islands, and the United States 	441075-001
	<ul style="list-style-type: none"> For use in Afghanistan, Albania, Algeria, Andorra, Angola, Antigua and Barbuda, Argentina, Armenia, Aruba, Australia, Austria, Azerbaijan, the Bahamas, Bahrain, Bangladesh, Barbados, Belarus, Belgium, Belize, Benin, Bermuda, Bhutan, Bolivia, Bosnia and Herzegovina, Botswana, Brazil, the British Virgin Islands, Brunei, Bulgaria, Burkina Faso, Burundi, Cameroon, Cape Verde, the Central African Republic, Chad, Chile, China, Colombia, Comoros, the Congo, Costa Rica, Croatia, Cyprus, the Czech Republic, Denmark, Djibouti, Dominica, the Dominican Republic, East Timor, Ecuador, Egypt, El Salvador, Equatorial Guinea, Eritrea, Estonia, Ethiopia, Fiji, Finland, France, French Guiana, Gabon, Gambia, Georgia, Germany, Ghana, Gibraltar, Greece, Grenada, Guadeloupe, Guatemala, Guinea, Guinea-Bissa, Guyana, Haiti, Honduras, Hong Kong, Hungary, Iceland, India, Ireland, Israel, Italy, the Ivory Coast, Jamaica, Jordan, Kazakhstan, Kenya, Kiribati, Kyrgyzstan, Laos, Latvia, Lebanon, Lesotho, Liberia, Liechtenstein, Lithuania, Luxembourg, Macedonia, Madagascar, Malawi, Malaysia, the Maldives, Mali, Malta, the Marshall Islands, Martinique, Mauritania, Mauritius, Mexico, Micronesia, Monaco, Mongolia, Montenegro, Morocco, Mozambique, Namibia, Nauru, Nepal, the Nether Antilles, the Netherlands, New Zealand, Nicaragua, Niger, Nigeria, Norway, Oman, Pakistan, Palau, Panama, Papua New Guinea, Paraguay, Peru, the Philippines, Poland, Portugal, the Republic of Moldova, Romania, Russia, Rwanda, Samoa, San Marino, Sao Tome & Principe, Saudi Arabia, Senegal, Serbia and Montenegro, the Seychelles, Sierra Leone, Singapore, Slovakia, Slovenia, the Solomon Islands, Somalia, South Africa, South Korea, Spain, Sri Lanka, St. Kitts & Nevis, St. Lucia, St. Vincent & Grenada, Suriname, Swaziland, Sweden, Switzerland, Taiwan, Tajikistan, Tanzania, Togo, Tonga, Trinidad and Tobago, Tunisia, Turkey, Turkmenistan, Tuvalu, Uganda, Ukraine, the United Arab Emirates, the United Kingdom, Uruguay, Uzbekistan, Vanuatu, Venezuela, Vietnam, Yemen, Zaire, Zambia, and Zimbabwe 	441075-002
	<ul style="list-style-type: none"> For use in Japan 	441075-291
Intel 802.11a/b/g WLAN modules:		
	<ul style="list-style-type: none"> For use in Antigua & Barbuda, Argentina, Aruba, the Bahamas, Barbados, Bermuda, Brunei, Canada, the Cayman Islands, Chile, Colombia, Costa Rica, the Dominican Republic, Ecuador, El Salvador, Guam, Guatemala, Haiti, Honduras, Hong Kong, India, Indonesia, Malaysia, Mexico, Panama, Paraguay, Peru, Saudi Arabia, Taiwan, the United States, Uruguay, Venezuela, and Vietnam 	441082-001
	<ul style="list-style-type: none"> For use in Austria, Azerbaijan, Bahrain, Belgium, Brazil, Bulgaria, Croatia, Cyprus, the Czech Republic, Denmark, Egypt, Estonia, Finland, France, Georgia, Germany, Greece, Hungary, Iceland, Ireland, Israel, Italy, Latvia, Lebanon, Liechtenstein, Lithuania, Luxembourg, Malta, Monaco, the Netherlands, Norway, Oman, the Philippines, Poland, Portugal, Qatar, Romania, Russia, Serbia and Montenegro, Singapore, Slovakia, Slovenia, South Africa, Spain, Sri Lanka, Sweden, Switzerland, Turkey, Ukraine, the United Kingdom, and Uzbekistan 	441082-002
	<ul style="list-style-type: none"> For use in Australia, New Zealand, Pakistan, the People's Republic of China, and South Korea 	441082-003
	<ul style="list-style-type: none"> For use in Japan 	441082-291 and 441082-292
Broadcom 802.11b/g WLAN modules:		

Item	Description	Spare part number
	<ul style="list-style-type: none"> For use in Canada, the Cayman Islands, Guam, Puerto Rico, the U.S. Virgin Islands, and the United States 	441090-001
	<ul style="list-style-type: none"> For use in Afghanistan, Albania, Algeria, Andorra, Angola, Antigua & Barbuda, Argentina, Armenia, Aruba, Australia, Austria, Azerbaijan, the Bahamas, Bahrain, Bangladesh, Barbados, Belarus, Belgium, Belize, Benin, Bermuda, Bhutan, Bolivia, Bosnia & Herzegovina Botswana, Brazil, the British Virgin Islands, Brunei, Bulgaria, Burkina Faso, Burundi, Cambodia, Cameroon, Cape Verde, the Central African Republic, Chad, Chile, Colombia, Comoros, the Congo, Costa Rica, Croatia, Cyprus, the Czech Republic, Denmark, Djibouti, Dominica, the Dominican Republic, East Timor, Ecuador, Egypt, El Salvador, Equatorial Guinea, Eritrea, Estonia, Ethiopia, Fiji, Finland, France, French Guiana, Gabon, Gambia, Georgia, Germany, Ghana, Gibraltar, Greece, Grenada, Guadeloupe, Guatemala, Guinea, Guinea-Bissa, Guyana, Haiti, Honduras, Hong Kong, Hungary, Iceland, India, Indonesia, Ireland, Israel, Italy, the Ivory Coast, Jamaica, Jordan, Kazakhstan, Kenya, Kiribati, Kuwait, Kyrgyzstan, Laos, Latvia, Lebanon, Lesotho, Liberia, Liechtenstein, Lithuania, Luxembourg, Macedonia, Madagascar, Malawi, Malaysia, the Maldives, Mali, Malta, the Marshall Islands, Martinique, Mauritania, Mauritius, Mexico, Micronesia, Monaco, Mongolia, Montenegro, Morocco, Mozambique, Namibia, Nauru, Nepal, the Nether Antilles, the Netherlands, New Zealand, Nicaragua, Niger, Nigeria, Norway, Oman, Palau, Panama, Papua New Guinea, Paraguay, the People's Republic of China, Peru, the Philippines, Poland, Portugal, Qatar, the Republic of Moldova, Romania, Russia, Rwanda, Samoa, San Marino, Sao Tome & Principe, Saudi Arabia, Senegal, Serbia and Montenegro, the Seychelles, Sierra Leone, Singapore, Slovakia, Slovenia, the Solomon Islands, Somalia, South Africa, South Korea, Spain, Sri Lanka, St. Kitts & Nevis, St. Lucia, St. Vincent & Grenada, Suriname, Swaziland, Sweden, Switzerland, Taiwan, Tajikistan, Tanzania, Thailand, Togo, Tonga, Trinidad & Tobago, Tunisia, Turkey, Turkmenistan, Tuvalu, Uganda, Ukraine, the United Arab Emirates, the United Kingdom, Uruguay, Uzbekistan, Vanuatu, Venezuela, Vietnam, Yemen, Zaire, Zambia, and Zimbabwe 	441090-002
	<ul style="list-style-type: none"> For use in Japan 	441090-291
	Intel 802.11b/g WLAN module for use in Japan	448675-004
(23)	Hard drives (include hard drive bracket)	
	250-GB, 5400-rpm	458219-001
	200-GB, 7200-rpm	461876-001
	160-GB, 7200-rpm	460282-001
	160-GB, 5400-rpm	450495-001
	120-GB, 7200-rpm	454987-001
	120-GB, 5400-rpm	450494-001
	100-GB, 7200-rpm	450493-001
	80-GB, 7200-rpm	450497-001
	80-GB, 5400-rpm	450496-001
(24)	Optical drives	
	DVD±RW and CD-RW Super Multi Double-Layer Combo Drive with LightScribe	450490-001
	DVD±RW and CD-RW Super Multi Double-Layer Combo Drive	450491-001
	DVD/CD-RW Combo Drive	450492-001
	Blu-ray DVD-RW Drive	450489-001

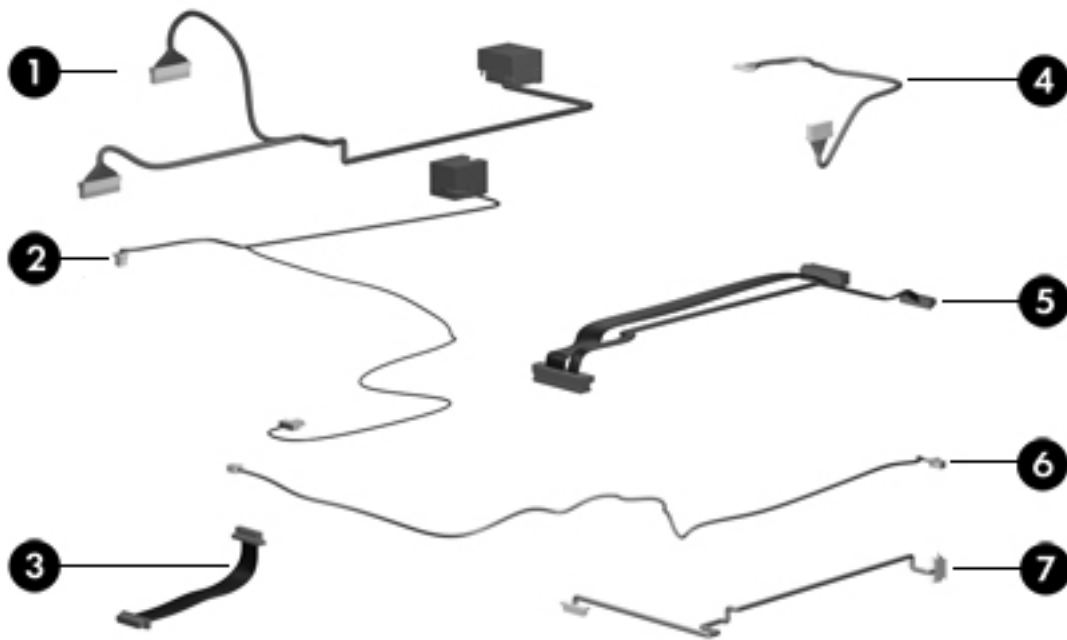
Item	Description	Spare part number
	DVD-ROM Drive	450488-001
	Cable Kit (not illustrated; see Cable Kit on page 28 for more Cable Kit spare part number information)	450486-001

Plastics Kit



Item	Description	Spare part number
	Plastics Kit:	450585-001
(1)	Memory module/WLAN module compartment cover (includes 3 captive screws, secured by C-clips)	
(2)	Hard drive cover (includes 2 captive screws, secured by C-clips)	
(3)	PC Card slot bezel	

Cable Kit



Item	Description	Spare part number
	Cable Kit:	450486-001
(1)	RJ-45 jack cable	
(2)	RJ-11 jack cable	
(3)	TouchPad cable	
(4)	Bluetooth module cable	
(5)	USB/audio board cable	
(6)	Microphone extension cable	
(7)	Power button board cable	

Mass storage devices



Item	Description	Spare part number
(1)	Hard drives (include frame)	
	250-GB, 5400-rpm	458219-001
	200-GB, 7200-rpm	461876-001
	160-GB, 7200-rpm	460282-001
	160-GB, 5400-rpm	450495-001
	120-GB, 7200-rpm	454987-001
	120-GB, 5400-rpm	450494-001
	100-GB, 7200-rpm	450493-001
	80-GB, 7200-rpm	450497-001
	80-GB, 5400-rpm	450496-001
(2)	Optical drives (include bezel)	
	DVD±RW and CD-RW Super Multi Double-Layer Combo Drive with LightScribe	450490-001
	DVD±RW and CD-RW Super Multi Double-Layer Combo Drive	450491-001
	DVD/CD-RW Combo Drive	450492-001
	Blu-ray DVD-RW Drive	450489-001
	DVD-ROM Drive	450488-001

Miscellaneous parts

Description	Spare part number
AC adapters	
180-W PFC AC adapter	463952-001
135-W PFC Smart RC adapter	613155-001

Description	Spare part number
120-W PFC AC adapter	463953-001
90-W PFC AC adapter	463955-001
External MultiBay II	366143-001
External MultiBay II power cable and stand	366144-001
HP Extended Life Battery	367456-001
Label Kit	450499-001
MultiBay 8X DVD-ROM Drive	373314-001
MultiBay 24X DVD/CD-RW Combo Drive	373315-001
Nylon carrying case	325814-001
USB 1.1 diskette drive	359118-001
Power cords:	
For use in Australia	403811-011
For use in Brazil	403811-201
For use in Denmark	403811-081
For use in Europe, the Middle East, and Africa	403811-021
For use in India	403811-D61
For use in Israel	403811-BB1
For use in Italy	403811-061
For use in Japan	403811-291
For use in the People's Republic of China	403811-AA1
For use in South Korea	403811-AD1
For use in Switzerland	403811-111
For use in Taiwan	403811-AB1
For use in the United Kingdom	403811-031

Description	Spare part number
For use the United States	403811-001
Screw Kit	450591-001
<ul style="list-style-type: none"> • Phillips PM2.5×4.0 screw • Phillips PM2.0×10.0 screw • Phillips PM2.0×5.0 captive screw • Phillips PM2.0×5.0 screw • Phillips PM2.0×4.0 screw • Phillips PM2.0×3.0 screw • Phillips PM2.0×2.0 broad-head screw • Phillips PM2.0×2.0 screw • Phillips PM1.5×3.0 screw • Torx T8M2.5×7.0 screw • Torx T8M2.5×4.0 screw • Torx T6M2.0×5.0 screw 	

Sequential part number listing

Spare part number	Description
325814-001	Nylon carrying case
359118-001	USB 1.1 diskette drive
366143-001	External MultiBay II
366144-001	External MultiBay II power cable and stand
367456-001	HP Extended Life Battery
373314-001	MultiBay 8X DVD-ROM Drive
373315-001	MultiBay 24X DVD/CD-RW Combo Drive
403811-001	Power cord (3-wire) for use in North America
403811-011	Power cord (3-wire) for use in Australia
403811-021	Power cord (3-wire) for use in Europe, the Middle East, and Africa
403811-031	Power cord (3-wire) for use in the United Kingdom
403811-061	Power cord (3-wire) for use in Italy
403811-081	Power cord (3-wire) for use in Denmark
403811-111	Power cord (3-wire) for use in Switzerland
403811-291	Power cord (3-wire) for use in Japan

Spare part number	Description
403811-AA1	Power cord (3-wire) for use in the People's Republic of China
403811-AB1	Power cord (3-wire) for use in Taiwan
403811-AD1	Power cord (3-wire) for use in South Korea
403811-BB1	Power cord (3-wire) for use in Israel
403811-D61	Power cord (3-wire) for use in India
416931-001	120-W non-PFC AC adapter
441075-001	Broadcom 802.11a/b/g WLAN module for use in Canada, Cayman Islands, Guam, Puerto Rico, the U.S. Virgin Islands, and the United States
441075-002	Broadcom 802.11a/b/g WLAN module for use in Afghanistan, Albania, Algeria, Andorra, Angola, Antigua and Barbuda, Argentina, Armenia, Aruba, Australia, Austria, Azerbaijan, the Bahamas, Bahrain, Bangladesh, Barbados, Belarus, Belgium, Belize, Benin, Bermuda, Bhutan, Bolivia, Bosnia and Herzegovina, Botswana, Brazil, the British Virgin Islands, Brunei, Bulgaria, Burkina Faso, Burundi, Cameroon, Cape Verde, the Central African Republic, Chad, Chile, China, Colombia, Comoros, the Congo, Costa Rica, Croatia, Cyprus, the Czech Republic, Denmark, Djibouti, Dominica, the Dominican Republic, East Timor, Ecuador, Egypt, El Salvador, Equatorial Guinea, Eritrea, Estonia, Ethiopia, Fiji, Finland, France, French Guiana, Gabon, Gambia, Georgia, Germany, Ghana, Gibraltar, Greece, Grenada, Guadeloupe, Guatemala, Guinea, Guinea-Bissa, Guyana, Haiti, Honduras, Hong Kong, Hungary, Iceland, India, Ireland, Israel, Italy, the Ivory Coast, Jamaica, Jordan, Kazakhstan, Kenya, Kiribati, Kyrgyzstan, Laos, Latvia, Lebanon, Lesotho, Liberia, Liechtenstein, Lithuania, Luxembourg, Macedonia, Madagascar, Malawi, Malaysia, the Maldives, Mali, Malta, the Marshall Islands, Martinique, Mauritania, Mauritius, Mexico, Micronesia, Monaco, Mongolia, Montenegro, Morocco, Mozambique, Namibia, Nauru, Nepal, the Nether Antilles, the Netherlands, New Zealand, Nicaragua, Niger, Nigeria, Norway, Oman, Pakistan, Palau, Panama, Papua New Guinea, Paraguay, Peru, the Philippines, Poland, Portugal, the Republic of Moldova, Romania, Russia, Rwanda, Samoa, San Marino, Sao Tome & Principe, Saudi Arabia, Senegal, Serbia and Montenegro, the Seychelles, Sierra Leone, Singapore, Slovakia, Slovenia, the Solomon Islands, Somalia, South Africa, South Korea, Spain, Sri Lanka, St. Kitts & Nevis, St. Lucia, St. Vincent & Grenada, Suriname, Swaziland, Sweden, Switzerland, Taiwan, Tajikistan, Tanzania, Togo, Tonga, Trinidad and Tobago, Tunisia, Turkey, Turkmenistan, Tuvalu, Uganda, Ukraine, the United Arab Emirates, the United Kingdom, Uruguay, Uzbekistan, Vanuatu, Venezuela, Vietnam, Yemen, Zaire, Zambia, and Zimbabwe
441075-291	Broadcom 802.11a/b/g WLAN module for use in Japan
441082-001	Intel 802.11a/b/g WLAN module for use in Antigua & Barbuda, Argentina, Aruba, the Bahamas, Barbados, Bermuda, Brunei, Canada, the Cayman Islands, Chile, Colombia, Costa Rica, the Dominican Republic, Ecuador, El Salvador, Guam, Guatemala, Haiti, Honduras, Hong Kong, India, Indonesia, Malaysia, Mexico, Panama, Paraguay, Peru, Saudi Arabia, Taiwan, the United States, Uruguay, Venezuela, and Vietnam
441082-002	Intel 802.11a/b/g WLAN module for use in Austria, Azerbaijan, Bahrain, Belgium, Brazil, Bulgaria, Croatia, Cyprus, the Czech Republic, Denmark, Egypt, Estonia, Finland, France, Georgia, Germany, Greece, Hungary, Iceland, Ireland, Israel, Italy, Latvia, Lebanon, Liechtenstein, Lithuania, Luxembourg, Malta, Monaco, the Netherlands, Norway, Oman, the Philippines, Poland, Portugal, Qatar, Romania, Russia, Serbia and Montenegro, Singapore, Slovakia, Slovenia, South Africa, Spain, Sri Lanka, Sweden, Switzerland, Turkey, Ukraine, the United Kingdom, and Uzbekistan
441082-003	Intel 802.11a/b/g WLAN module for use in Australia, New Zealand, Pakistan, the People's Republic of China, and South Korea
441082-291	Intel 802.11a/b/g WLAN module for use in Japan
441082-292	Intel 802.11a/b/g WLAN module for use in Japan
441086-001	Intel 802.11a/b/g/n WLAN module for use in Antigua and Barbuda, Argentina, Aruba, the Bahamas, Barbados, Bermuda, Brunei, Canada, the Cayman Islands, Chile, Colombia, Costa Rica, the Dominican Republic, Ecuador, El Salvador, Guam, Guatemala, Haiti, Honduras, Hong Kong, India, Indonesia, Malaysia, Mexico, Panama, Paraguay, Peru, Saudi Arabia, Taiwan, Uruguay, the United States, Venezuela, and Vietnam

Spare part number	Description
441086-002	Intel 802.11a/b/g/n WLAN module for use in Austria, Azerbaijan, Bahrain, Belgium, Brazil, Bulgaria, Croatia, Cyprus, the Czech Republic, Denmark, Egypt, Estonia, Finland, France, Georgia, Germany, Greece, Hungary, Iceland, Ireland, Israel, Italy, Latvia, Lebanon, Liechtenstein, Lithuania, Luxembourg, Malta, Monaco, the Netherlands, Norway, Oman, the Philippines, Poland, Portugal, Qatar, Romania, Russia, Serbia and Montenegro, Singapore, Slovakia, Slovenia, South Africa, Spain, Sri Lanka, Sweden, Switzerland, Turkey, Ukraine, the United Kingdom, and Uzbekistan
441086-003	Intel 802.11a/b/g/n WLAN module for use in Australia, New Zealand, Pakistan, the People's Republic of China, and South Korea
441086-291	Intel 802.11a/b/g/n WLAN module for use in Japan
441086-AD1	Intel 802.11a/b/g/n WLAN module for use in South Korea
441090-001	Broadcom 802.11b/g WLAN module for use in Canada, the Cayman Islands, Guam, Puerto Rico, the U.S. Virgin Islands, and the United States
441090-002	Broadcom 802.11b/g WLAN module for use in Afghanistan, Albania, Algeria, Andorra, Angola, Antigua & Barbuda, Argentina, Armenia, Aruba, Australia, Austria, Azerbaijan, the Bahamas, Bahrain, Bangladesh, Barbados, Belarus, Belgium, Belize, Benin, Bermuda, Bhutan, Bolivia, Bosnia & Herzegovina Botswana, Brazil, the British Virgin Islands, Brunei, Bulgaria, Burkina Faso, Burundi, Cambodia, Cameroon, Cape Verde, the Central African Republic, Chad, Chile, Colombia, Comoros, the Congo, Costa Rica, Croatia, Cyprus, the Czech Republic, Denmark, Djibouti, Dominica, the Dominican Republic, East Timor, Ecuador, Egypt, El Salvador, Equitorial Guinea, Eritrea, Estonia, Ethiopia, Fiji, Finland, France, French Guiana, Gabon, Gambia, Georgia, Germany, Ghana, Gibraltar, Greece, Grenada, Guadeloupe, Guatemala, Guinea, Guinea-Bissa, Guyana, Haiti, Honduras, Hong Kong, Hungary, Iceland, India, Indonesia, Ireland, Israel, Italy, the Ivory Coast, Jamaica, Jordan, Kazakhstan, Kenya, Kiribati, Kuwait, Kyrgyzstan, Laos, Latvia, Lebanon, Lesotho, Liberia, Liechtenstein, Lithuania, Luxembourg, Macedonia, Madagascar, Malawi, Malaysia, the Maldives, Mali, Malta, the Marshall Islands, Martinique, Mauritania, Mauritius, Mexico, Micronesia, Monaco, Mongolia, Montenegro, Morocco, Mozambique, Namibia, Nauru, Nepal, the Nether Antilles, the Netherlands, New Zealand, Nicaragua, Niger, Nigeria, Norway, Oman, Palau, Panama, Papua New Guinea, Paraguay, the People's Republic of China, Peru, the Philippines, Poland, Portugal, Qatar, the Republic of Moldova, Romania, Russia, Rwanda, Samoa, San Marino, Sao Tome & Principe, Saudi Arabia, Senegal, Serbia and Montenegro, the Seychelles, Sierra Leone, Singapore, Slovakia, Slovenia, the Solomon Islands, Somalia, South Africa, South Korea, Spain, Sri Lanka, St. Kitts & Nevis, St. Lucia, St. Vincent & Grenada, Suriname, Swaziland, Sweden, Switzerland, Taiwan, Tajikistan, Tanzania, Thailand, Togo, Tonga, Trinidad & Tobago, Tunisia, Turkey, Turkmenistan, Tuvalu, Uganda, Ukraine, the United Arab Emirates, the United Kingdom, Uruguay, Uzbekistan, Vanuatu, Venezuela, Vietnam, Yemen, Zaire, Zambia, and Zimbabwe
441090-291	Broadcom 802.11b/g WLAN module for use in Japan
443899-001	Modem module
448675-004	Intel 802.11b/g WLAN module for use in Japan
450471-001	Keyboard with pointing stick for use in the United States (includes keyboard and pointing stick cable)
450471-021	Keyboard with pointing stick for use in Europe (includes keyboard and pointing stick cable)
450471-031	Keyboard with pointing stick for use in the United Kingdom (includes keyboard and pointing stick cable)
450471-041	Keyboard with pointing stick for use in Germany (includes keyboard and pointing stick cable)
450471-051	Keyboard with pointing stick for use in France (includes keyboard and pointing stick cable)
450471-061	Keyboard with pointing stick for use in Italy (includes keyboard and pointing stick cable)
450471-071	Keyboard with pointing stick for use in Spain (includes keyboard and pointing stick cable)
450471-081	Keyboard with pointing stick for use in Denmark (includes keyboard and pointing stick cable)
450471-091	Keyboard with pointing stick for use in Norway (includes keyboard and pointing stick cable)

Spare part number	Description
450471-111	Keyboard with pointing stick for use in Switzerland (includes keyboard and pointing stick cable)
450471-121	Keyboard with pointing stick for use in French Canada (includes keyboard and pointing stick cable)
450471-131	Keyboard with pointing stick for use in Portugal (includes keyboard and pointing stick cable)
450471-141	Keyboard with pointing stick for use in Turkey (includes keyboard and pointing stick cable)
450471-151	Keyboard with pointing stick for use in Greece (includes keyboard and pointing stick cable)
450471-161	Keyboard with pointing stick for use in Latin America (includes keyboard and pointing stick cable)
450471-171	Keyboard with pointing stick for use in Saudi Arabia (includes keyboard and pointing stick cable)
450471-201	Keyboard with pointing stick for use in Brazil (includes keyboard and pointing stick cable)
450471-211	Keyboard with pointing stick for use in Hungary (includes keyboard and pointing stick cable)
450471-221	Keyboard with pointing stick for use in the Czech Republic (includes keyboard and pointing stick cable)
450471-231	Keyboard with pointing stick for use in Slovakia (includes keyboard and pointing stick cable)
450471-251	Keyboard with pointing stick for use in Russia (includes keyboard and pointing stick cable)
450471-281	Keyboard with pointing stick for use in Thailand (includes keyboard and pointing stick cable)
450471-291	Keyboard with pointing stick for use in Japan (includes keyboard and pointing stick cable)
450471-A41	Keyboard with pointing stick for use in Belgium (includes keyboard and pointing stick cable)
450471-AB1	Keyboard with pointing stick for use in Taiwan (includes keyboard and pointing stick cable)
450471-AD1	Keyboard with pointing stick for use in South Korea (includes keyboard and pointing stick cable)
450471-B71	Keyboard with pointing stick for use in Sweden and Finland (includes keyboard and pointing stick cable)
450471-BA1	Keyboard with pointing stick for use in Slovenia (includes keyboard and pointing stick cable)
450471-BB1	Keyboard with pointing stick for use in Israel (includes keyboard and pointing stick cable)
450471-DD1	Keyboard with pointing stick for use in Iceland (includes keyboard and pointing stick cable)
450472-001	Keyboard without pointing stick for use in the United States (includes keyboard cable)
450472-021	Keyboard without pointing stick for use in Europe (includes keyboard cable)
450472-031	Keyboard without pointing stick for use in the United Kingdom (includes keyboard cable)
450472-041	Keyboard without pointing stick for use in Germany (includes keyboard cable)
450472-051	Keyboard without pointing stick for use in France (includes keyboard cable)
450472-061	Keyboard without pointing stick for use in Italy (includes keyboard cable)
450472-071	Keyboard without pointing stick for use in Spain (includes keyboard cable)
450472-081	Keyboard without pointing stick for use in Denmark (includes keyboard cable)
450472-091	Keyboard without pointing stick for use in Norway (includes keyboard cable)
450472-111	Keyboard without pointing stick for use in Switzerland (includes keyboard cable)
450472-121	Keyboard without pointing stick for use in French Canada (includes keyboard cable)
450472-131	Keyboard without pointing stick for use in Portugal (includes keyboard cable)
450472-141	Keyboard without pointing stick for use in Turkey (includes keyboard cable)

Spare part number	Description
450472-151	Keyboard without pointing stick for use in Greece (includes keyboard cable)
450472-161	Keyboard without pointing stick for use in Latin America (includes keyboard cable)
450472-171	Keyboard without pointing stick for use in Saudi Arabia (includes keyboard cable)
450472-201	Keyboard without pointing stick for use in Brazil (includes keyboard cable)
450472-211	Keyboard without pointing stick for use in Hungary (includes keyboard cable)
450472-221	Keyboard without pointing stick for use in the Czech Republic (includes keyboard cable)
450472-231	Keyboard without pointing stick for use in Slovakia (includes keyboard cable)
450472-251	Keyboard without pointing stick for use in Russia (includes keyboard cable)
450472-281	Keyboard without pointing stick for use in Thailand (includes keyboard cable)
450472-291	Keyboard without pointing stick for use in Japan (includes keyboard cable)
450472-A41	Keyboard without pointing stick for use in Belgium (includes keyboard cable)
450472-AB1	Keyboard without pointing stick for use in Taiwan (includes keyboard cable)
450472-AD1	Keyboard without pointing stick for use in South Korea (includes keyboard cable)
450472-B71	Keyboard without pointing stick for use in Sweden (includes keyboard cable)
450472-BA1	Keyboard without pointing stick for use in Slovenia (includes keyboard cable)
450472-BB1	Keyboard without pointing stick for use in Israel (includes keyboard cable)
450472-DD1	Keyboard without pointing stick for use in Iceland (includes keyboard cable)
450475-001	Wireless Antenna Kit (includes 3 WLAN antenna transceivers and cables)
450476-001	Base enclosure (includes rubber computer feet)
450477-001	8-cell, 5.1-Ah battery
450478-001	RTC battery
450479-001	Switch cover (includes LED board and cable)
450480-001	Ambient light sensor board
450481-001	Power button board (includes cable)
450482-001	System board for use only with computer models equipped with processors with 2- or 4-MB L2 cache (includes replacement thermal material)
450483-001	USB/audio board (includes 2-into-1 USB board cable and audio board cable)
450484-001	Graphics card for use only with HP Compaq 8710p computer models (nVidia NB8P-NVS2 with 256 MB of graphics subsystem memory operating at 700 MHz, supporting TurboCache; includes replacement thermal material)
450485-001	Bluetooth module (includes Bluetooth module cable)
450486-001	Cable Kit (see Cable Kit on page 28 for more Cable Kit spare part information)
450488-001	DVD-ROM Drive
450489-001	Blu-ray DVD-RW Drive
450490-001	DVD±RW and CD-RW Super Multi Double-Layer Combo Drive with LightScribe

Spare part number	Description
450491-001	DVD±RW and CD-RW Super Multi Double-Layer Combo Drive
450492-001	DVD/CD-RW Combo Drive
450493-001	100-GB, 7200-rpm hard drive
450494-001	120-GB, 5400-rpm hard drive
450495-001	160-GB, 5400-rpm hard drive
450496-001	80-GB, 5400-rpm hard drive
450497-001	80-GB, 7200-rpm hard drive
450498-001	Display inverter
450499-001	Label Kit
450500-001	Display bezel
450570-001	Display Bracket Kit (includes left and right display hinges)
450571-001	Display cable
450572-001	Display enclosure for use with WSXGA+ and WXGA+ display assemblies (includes 3 WLAN antenna transceivers and cables)
450573-001	Display Rubber Kit (includes display bezel rubber screw covers)
450574-001	Display Screw Kit
450575-001	1024-MB memory module (PC-5300, 667-GHz, DDR2)
450576-001	2048-MB memory module (PC-5300, 667-GHz, DDR2)
450577-001	512-MB memory module (PC-5300, 667-GHz, DDR2)
450578-001	Microphone extension cable
450580-001	17.0-inch, WSXGA+ WVA AntiGlare display assembly (includes 3 WLAN antenna transceivers and cables)
450581-001	17.0-inch, WSXGA+ WVA BrightView display assembly (includes 3 WLAN antenna transceivers and cables)
450582-001	17.0-inch, WUXGA+ WVA AntiGlare display assembly (includes 3 WLAN antenna transceivers and cables)
450583-001	17.0-inch, WXGA+ AntiGlare display assembly (includes 3 WLAN antenna transceivers and cables)
450584-001	PC Card assembly
450585-001	Plastics Kit (see Plastics Kit on page 27 for more Plastics Kit spare part information)
446440-001	Intel Core 2 Duo T7100 1.8-GHz processor (2-MB L2 cache, 800-MHz FSB; includes replacement thermal material)
450587-001	Intel Core 2 Duo T7300 2.0-GHz processor (4-MB L2 cache, 800-MHz FSB; includes replacement thermal material)
450588-001	Intel Core 2 Duo T7500 2.2-GHz processor (4-MB L2 cache, 800-MHz FSB; includes replacement thermal material)
450589-001	Intel Core 2 Duo T7700 2.4-GHz processor (4-MB L2 cache, 800-MHz FSB; includes replacement thermal material)
450590-001	Rubber Kit (includes base enclosure rubber feet)

Spare part number	Description
450591-001	Screw Kit
450592-001	Speaker assembly
450593-001	Heat sink for use only with computer models equipped with processors with 2- or 4-MB L2 cache (includes replacement thermal material)
450594-001	Fan/heat sink assembly (includes replacement thermal material)
450595-001	Top cover for use with 8710p computer models (includes fingerprint reader board and cable)
450596-001	TouchPad with 2 TouchPad buttons (for use with keyboards without a pointing stick; includes TouchPad cable)
450597-001	TouchPad with 3 pointing stick buttons and 3 TouchPad buttons (for use with keyboards with a pointing stick; includes TouchPad cable)
451377-001	Graphics card for use only with HP Compaq 8710w computer models (nVidia NB8E-GLM with 512 MB graphics subsystem memory operating at 800 MHz; includes replacement thermal material)
451379-001	Top cover for use with 8710w computer models (includes fingerprint reader board and cable)
454987-001	120-GB, 7200-rpm hard drive
456223-001	Display enclosure for use with WUXGA display assemblies (includes 3 WLAN antenna transceivers and cables)
458218-001	Intel Core 2 Duo T7800 2.6-GHz processor (4-MB L2 cache, 800-MHz FSB; includes replacement thermal material)
458219-001	250-GB, 5400-rpm hard drive
460282-001	160-GB, 7200-rpm hard drive
460283-001	Intel Core 2 Duo T7250 2.0-GHz processor (4-MB L2 cache, 800-MHz FSB; includes replacement thermal material)
461876-001	200-GB, 7200-rpm hard drive
463048-001	Intel Core 2 Duo T8100 2.1-GHz processor (4-MB L2 cache, 800-MHz FSB; includes replacement thermal material)
463049-001	Intel Core 2 Duo T8300 2.4-GHz processor (4-MB L2 cache, 800-MHz FSB; includes replacement thermal material)
463050-001	Intel Core 2 Duo T9300 2.8-GHz processor (4-MB L2 cache, 800-MHz FSB; includes replacement thermal material)
463051-001	Intel Core 2 Duo T9500 2.6-GHz processor (4-MB L2 cache, 800-MHz FSB; includes replacement thermal material)
463952-001	180-W PFC AC adapter
463953-001	120-W PFC AC adapter
463955-001	90-W PFC AC adapter
468591-001	System board for use only with computer models equipped with processors with 3- or 6-MB L2 cache (includes replacement thermal material)
468592-001	Graphics card for use only with computer models equipped with processors with 3- or 6-MB L2 cache
468593-001	Heat sink for use only with computer models equipped with processors with 3- or 6-MB L2 cache (includes replacement thermal material)

Spare part number	Description
469650-001	4096-MB memory module (PC-5300, 667-GHz, DDR2)
613155-001	<i>135-W PFC Smart RC adapter</i>

4 Removal and replacement procedures

Preliminary replacement requirements


Tools required

You will need the following tools to complete the removal and replacement procedures:

- Flat-bladed screwdriver
- Magnetic screwdriver
- Phillips P0 and P1 screwdrivers
- Torx T8 screwdriver

Service considerations

The following sections include some of the considerations that you must keep in mind during disassembly and assembly procedures.

 **NOTE:** As you remove each subassembly from the computer, place the subassembly (and all accompanying screws) away from the work area to prevent damage.

Plastic parts

Using excessive force during disassembly and reassembly can damage plastic parts. Use care when handling the plastic parts. Apply pressure only at the points designated in the maintenance instructions.

Cables and pointing stick connectors

- △ **CAUTION:** When servicing the computer, be sure that cables are placed in their proper locations during the reassembly process. Improper cable placement can damage the computer.
-

Cables must be handled with extreme care to avoid damage. Apply only the tension required to unseat or seat the cables during removal and insertion. Handle cables by the connector whenever possible. In all cases, avoid bending, twisting, or tearing cables. Be sure that cables are routed in such a way that they cannot be caught or snagged by parts being removed or replaced. Handle flex cables with extreme care; these cables tear easily.

Drive handling

- △ **CAUTION:** Drives are fragile components that must be handled with care. To prevent damage to the computer, damage to a drive, or loss of information, observe these precautions:

Before removing or inserting a hard drive, shut down the computer. If you are unsure whether the computer is off or in Hibernation, turn the computer on, and then shut it down through the operating system.

Before handling a drive, be sure that you are discharged of static electricity. While handling a drive, avoid touching the connector.

Before removing a diskette drive or optical drive, be sure that a diskette or disc is not in the drive and be sure that the optical drive tray is closed.

Handle drives on surfaces covered with at least one inch of shock-proof foam.

Avoid dropping drives from any height onto any surface.

After removing a hard drive, an optical drive, or a diskette drive, place it in a static-proof bag.

Avoid exposing a hard drive to products that have magnetic fields, such as monitors or speakers.

Avoid exposing a drive to temperature extremes or liquids.

If a drive must be mailed, place the drive in a bubble pack mailer or other suitable form of protective packaging and label the package "FRAGILE."

Grounding guidelines

Electrostatic discharge damage

Electronic components are sensitive to electrostatic discharge (ESD). Circuitry design and structure determine the degree of sensitivity. Networks built into many integrated and pointing stick circuits provide some protection, but in many cases, ESD contains enough power to alter device parameters or melt silicon junctions.

A discharge of static electricity from a finger or other conductor can destroy static-sensitive devices or microcircuitry. Even if the spark is neither felt nor heard, damage may have occurred.

An electronic device exposed to ESD may not be affected at all and and pointing stick can work perfectly throughout a normal cycle. Or the device may function normally for a while, then degrade in the internal layers, reducing its life expectancy.

△ **CAUTION:** To prevent damage to the computer when you are removing or installing internal components, observe these precautions:

Keep components in their electrostatic-safe containers until you are ready to install them.

Use nonmagnetic tools.

Before touching an electronic component, discharge static electricity by using the guidelines described in this section.

Avoid touching pins, leads, and pointing stick circuitry. Handle electronic components as little as possible.

If you remove a component, place it in an electrostatic-safe container.

The following table shows how humidity affects the electrostatic voltage levels generated by different activities.

△ **CAUTION:** A product can be degraded by as little as 700 V.

Typical electrostatic voltage levels

Event	Relative humidity		
	10%	40%	55%
Walking across carpet	35,000 V	15,000 V	7,500 V
Walking across vinyl floor	12,000 V	5,000 V	3,000 V
Motions of bench worker	6,000 V	800 V	400 V
Removing DIPS from plastic tube	2,000 V	700 V	400 V
Removing DIPS from vinyl tray	11,500 V	4,000 V	2,000 V
Removing DIPS from Styrofoam	14,500 V	5,000 V	3,500 V
Removing bubble pack from PCB	26,500 V	20,000 V	7,000 V
Packing PCBs in foam-lined box	21,000 V	11,000 V	5,000 V

Packaging and transporting guidelines

Follow these grounding guidelines when packaging and transporting equipment:

- To avoid hand and pointing stick contact, transport products in static-safe tubes, bags, or boxes.
- Protect ESD-sensitive parts and assemblies with conductive or approved and pointing stick containers or packaging.
- Keep ESD-sensitive parts in their containers until the parts arrive at static-free workstations.
- Place items on a grounded surface before removing items from their containers.
- Always be properly grounded when touching a component or assembly.
- Store reusable ESD-sensitive parts from assemblies in protective packaging or nonconductive foam.
- Use transporters and pointing stick conveyors made of antistatic belts and roller bushings. Be sure that mechanized equipment used for moving materials is wired to ground and that proper materials are selected to avoid static charging. When grounding is not possible, use an ionizer to dissipate electric charges.

Workstation guidelines

Follow these grounding workstation guidelines:

- Cover the workstation with approved static-shielding material.
- Use a wrist strap connected to a properly grounded work surface and use properly grounded tools and equipment.
- Use conductive field service tools, such as cutters, screwdrivers, and vacuums.
- When fixtures must directly contact dissipative surfaces, use fixtures made only of static-safe materials.
- Keep the work area free of nonconductive materials, such as ordinary plastic assembly aids and Styrofoam.
- Handle ESD-sensitive components, parts, and assemblies by the case or PCM laminate. Handle these items only at static-free workstations.
- Avoid and pointing stick contact with pins, leads, or circuitry.
- Turn off power and input signals before inserting or removing connectors or test equipment.

Equipment guidelines

Grounding equipment must include either a wrist strap or a foot strap at a grounded workstation.

- When seated, wear a wrist strap connected to a grounded system. Wrist straps are flexible straps with a minimum of one megohm $\pm 10\%$ resistance in the ground and pointing stick cords. To provide proper ground, wear a strap snugly against the skin at all times. On grounded mats with banana-plug connectors, use alligator clips to connect a wrist strap.
- When standing, use foot straps and a grounded floor mat. Foot straps (heel, toe, or boot straps) can be used at standing workstations and are compatible with most types of shoes or boots. On conductive floors or dissipative floor mats, use foot straps on both feet with a minimum of one megohm resistance between the operator and ground. To be effective, the conductive strips must be worn in contact with the skin.


The following grounding equipment is recommended to prevent electrostatic damage:

- Antistatic tape
- Antistatic smocks, aprons, and sleeve protectors
- Conductive bins and other assembly or soldering aids
- Nonconductive foam
- Conductive tabletop workstations with ground and pointing stick cords of one megohm resistance
- Static-dissipative tables or floor mats with hard ties to the ground
- Field service kits
- Static awareness labels
- Material-handling packages
- Nonconductive plastic bags, tubes, or boxes
- Metal tote boxes
- Electrostatic voltage levels and protective materials


The following table lists the shielding protection provided by antistatic bags and floor mats.

Material	Use	Voltage protection level
Antistatic plastic	Bags	1,500 V
Carbon-loaded plastic	Floor mats	7,500 V
Metallized laminate	Floor mats	5,000 V

Unknown user password

 **NOTE:** This process will not work if Stringent Security is enabled in F10 Setup. Stringent Security installs passwords into the ROM so that it is not affected when the RTC battery is removed.

If the computer you are servicing has an unknown user password, follow these steps to clear the password:

 **NOTE:** These steps also clear CMOS.

1. Shut down the computer. If you are unsure whether the computer is off or in Hibernation, turn the computer on, and then shut it down through the operating system.
2. Disconnect all external devices connected to the computer.
3. Disconnect the power from the computer by first unplugging the power cord from the AC outlet and then unplugging the AC adapter from the computer.
4. Remove the battery (see [Battery on page 46](#)).
5. Remove the real-time clock (RTC) battery (see [RTC battery on page 59](#)).
6. Wait approximately 5 minutes.
7. Replace the RTC battery and reassemble the computer.
8. Connect AC power to the computer. Do not reinsert any batteries at this time.
9. Turn on the computer.

All passwords and all CMOS settings have been cleared.

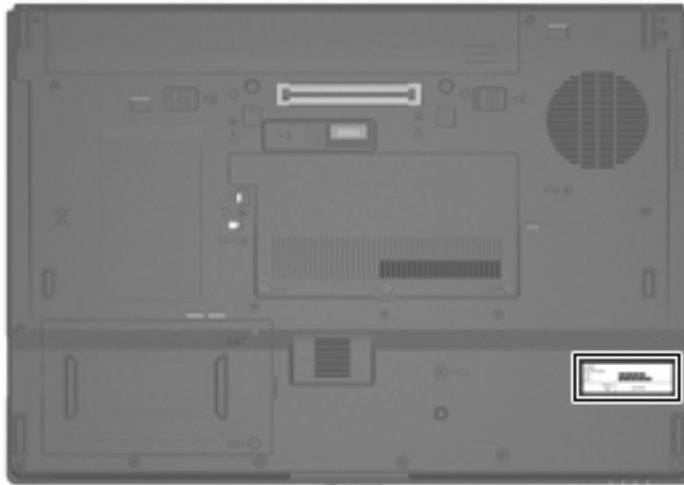
Component replacement procedures

This chapter provides removal and replacement procedures.

There are as many as 97 screws and screw locks, in 18 different sizes, that must be removed, replaced, or loosened when servicing the computer. Make special note of each screw and screw lock size and location during removal and replacement.

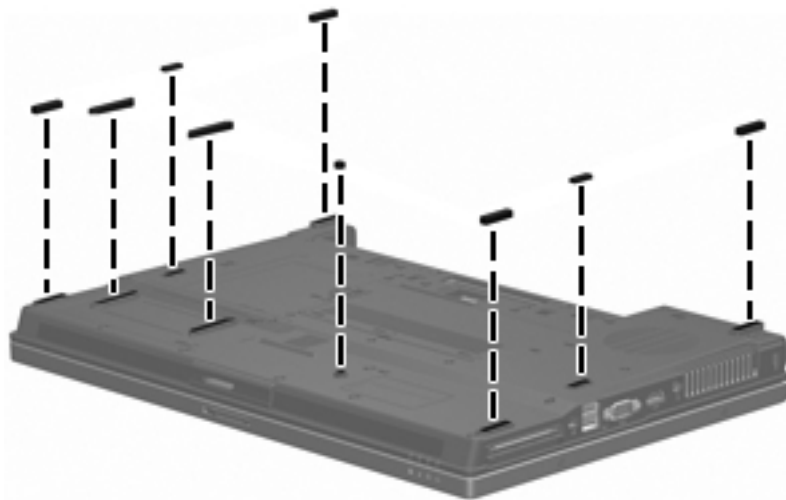
Serial number

Report the computer serial number to HP when requesting information or ordering spare parts. The serial number is located on the bottom of the computer.



Computer feet

The computer feet are adhesive-backed rubber pads. The feet are included in the Rubber Kit, spare part number 450590-001. There are 9 rubber feet, in 4 different sizes, that attach to the base enclosure in the locations illustrated below.



Battery

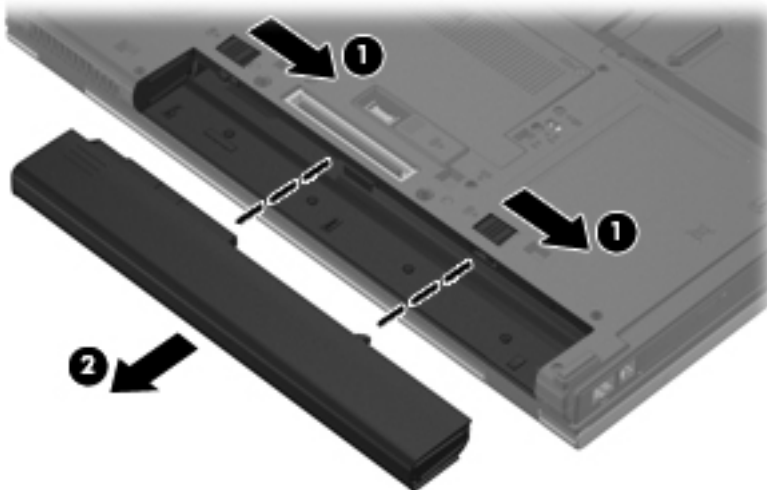
Description	Spare part number
8-cell, 5.1-Ah, Li-ion battery	450477-001

Before disassembling the computer, follow these steps:

1. Shut down the computer. If you are unsure whether the computer is off or in Hibernation, turn the computer on, and then shut it down through the operating system.
2. Disconnect all external devices connected to the computer.
3. Disconnect the power from the computer by first unplugging the power cord from the AC outlet and then unplugging the AC adapter from the computer.


Remove the battery:

1. Turn the computer upside down on a flat surface, with the battery bay toward you.
2. Slide the battery release latches **(1)** to release the battery.
3. Remove the battery **(2)** from the computer.



Install the battery by inserting it into the battery bay until you hear a click.

Display inverter and ambient light sensor board

 **NOTE:** If it has been determined that the display inverter or the ambient light sensor board are the components that must be replaced to complete the computer repair, the display assembly does not have to be removed. Follow the procedures in this section to replace the display inverter or ambient light sensor board. For information on replacing the display assembly, the display hinges, or the display bezel, see [Display assembly on page 79](#).

Description	Spare part number
Display inverter	450498-001
Ambient light sensor board	450480-001

Before removing the display inverter, follow these steps:

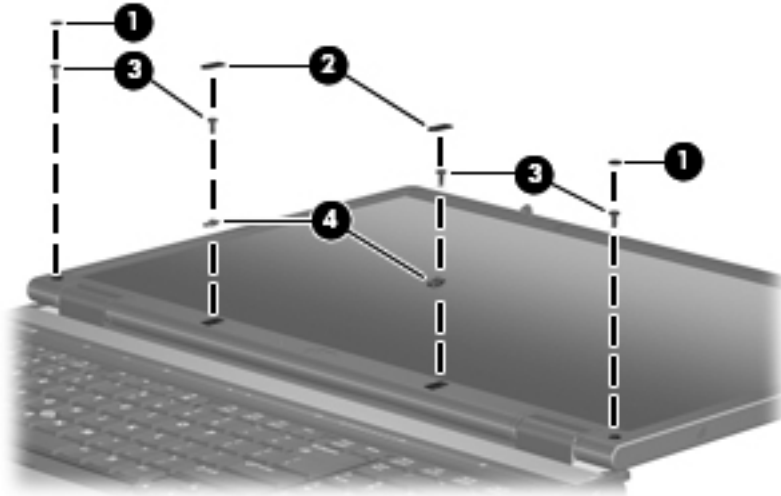
1. Shut down the computer. If you are unsure whether the computer is off or in Hibernation, turn the computer on, and then shut it down through the operating system.
2. Disconnect all external devices connected to the computer.
3. Disconnect the power from the computer by first unplugging the power cord from the AC outlet and then unplugging the AC adapter from the computer.
4. Remove the battery (see [Battery on page 46](#)).

Remove the display inverter:

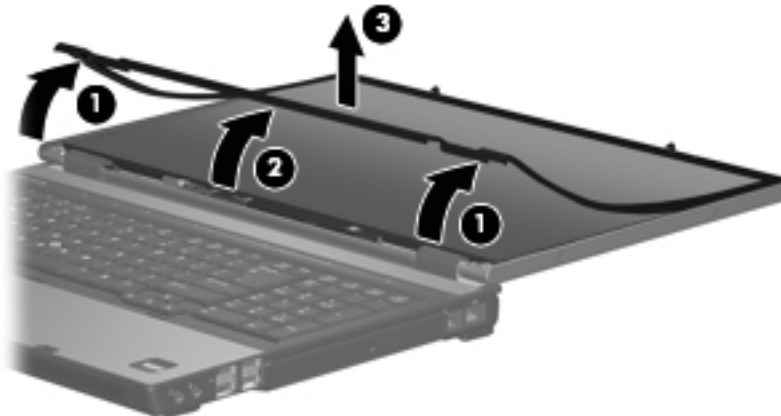
1. Turn the computer right-side up, with the front toward you.
2. Open the computer as far as possible.

3. Remove the screw covers, screws, and stabilizer clips listed below. All rubber screw covers are included in the Display Rubber Kit, spare part number 450573-001.

- (1) Two flat rubber screw covers
- (2) Two small oblong rubber screw covers
- (3) Four Phillips PM2.0×6.0 screws
- (4) Two stabilizer clips

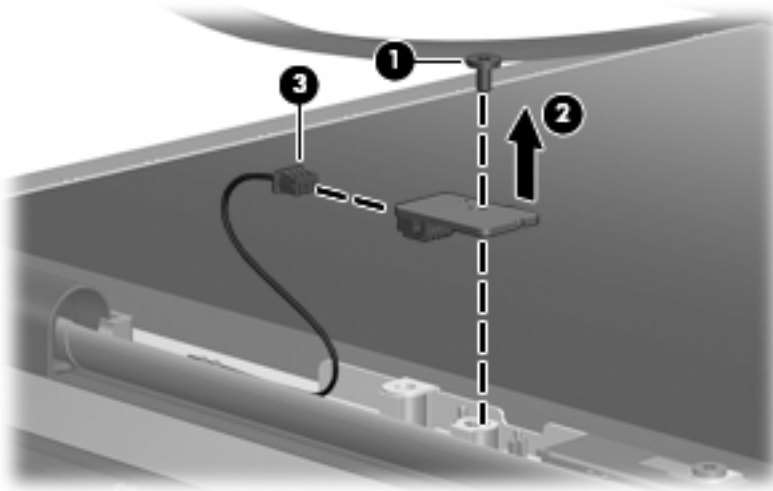


4. Flex the inside edges of the left and right sides (1) and the display bezel bottom edge (2) until the bezel disengages from the display assembly.
5. Release the display bezel bottom edge (3) from the display assembly.

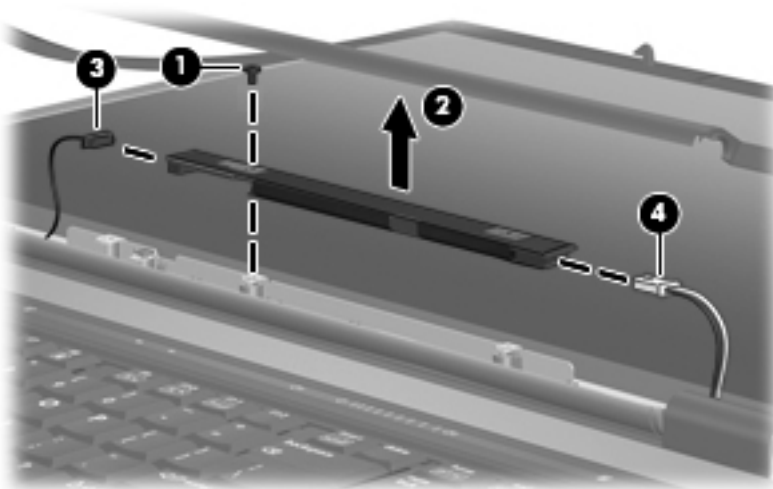


6. Remove the Torx T8M2.5×4.0 screw (1) that secures the ambient light sensor board to the display enclosure.
7. Release the ambient light sensor board (2) from the display enclosure as far as the ambient light sensor board cable allows.

8. Disconnect the ambient light sensor board cable (3) from the ambient light sensor board.



9. Remove the Torx T8M2.5×4.0 screw (1) that secures the display inverter to the display enclosure.
10. Release the inverter (2) from the display enclosure as far as the display panel cable and backlight cable allow.
11. Disconnect the display panel cable (3) and the backlight cable (4) from the display inverter.



12. Remove the display inverter.

Reverse this procedure to install the display inverter.

Hard drive

Description	Spare part number
250-GB, 5400-rpm hard drive	458219-001
200-GB, 7200-rpm hard drive	461876-001
160-GB, 7200-rpm hard drive	460282-001
160-GB, 5400-rpm hard drive	450495-001
120-GB, 7200-rpm hard drive	454987-001
120-GB, 5400-rpm hard drive	450494-001
100-GB, 7200-rpm hard drive	450493-001
80-GB, 7200-rpm hard drive	450497-001
80-GB, 5400-rpm hard drive	450496-001

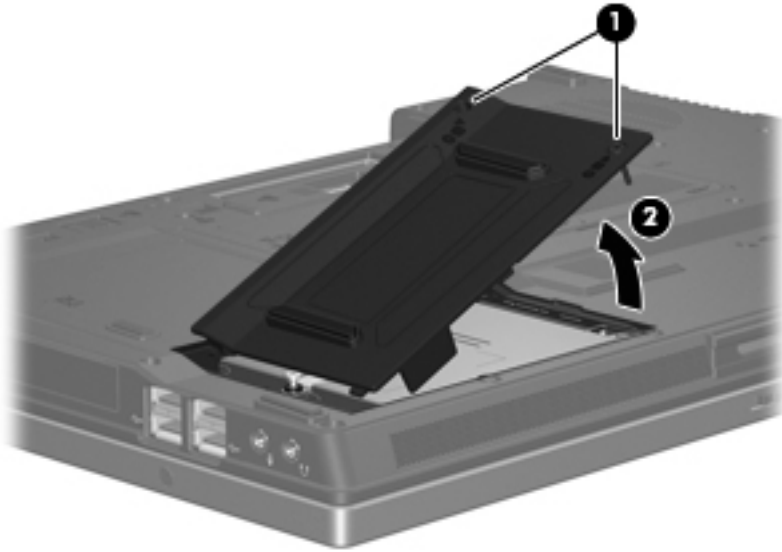
Before disassembling the computer, follow these steps:

1. Shut down the computer. If you are unsure whether the computer is off or in Hibernation, turn the computer on, and then shut it down through the operating system.
2. Disconnect all external devices connected to the computer.
3. Disconnect the power from the computer by first unplugging the power cord from the AC outlet and then unplugging the AC adapter from the computer.
4. Remove the battery (see [Battery on page 46](#)).

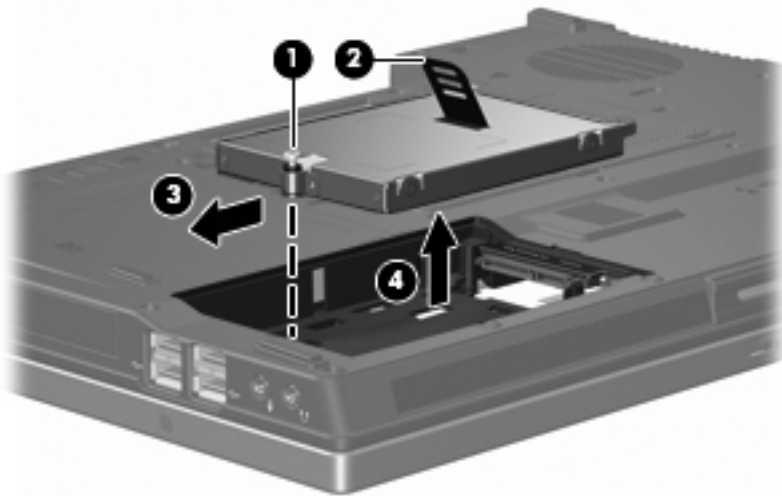
Remove the hard drive:

1. Position the computer with the front toward you.
2. Loosen the two Phillips PM2.0×17.0 captive screws **(1)** that secure the hard drive cover to the computer.

3. Lift the right side of the hard drive cover (2), swing it to left, and remove the cover. The hard drive cover is included in the Plastics Kit, spare part number 450585-001.

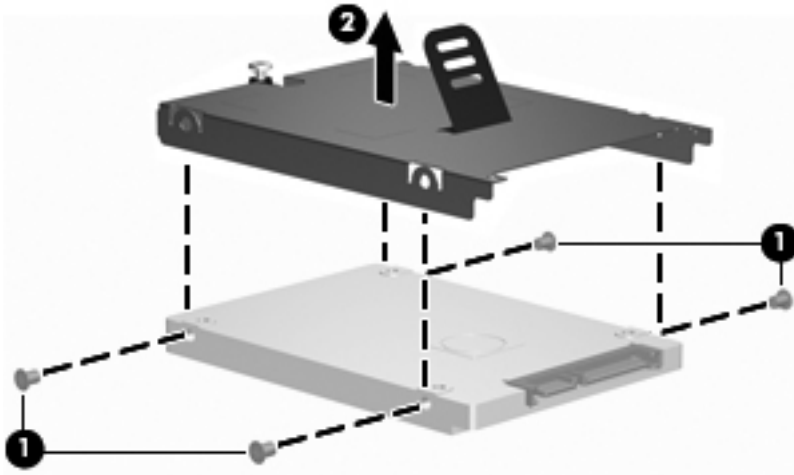


4. Loosen the Phillips PM2.5×13.0 captive screw (1) that secures the hard drive to the computer.
5. Grasp the Mylar tab (2) on the hard drive and slide the hard drive (3) to the left to disconnect it from the system board.
6. Remove the hard drive (4) from the hard drive bay.



7. If it is necessary to replace the hard drive bracket, remove the two Phillips PM3.0×4.0 hard drive bracket screws (1) from each side of the hard drive.

- Lift the bracket (2) straight up to remove it from the hard drive.



Reverse this procedure to reassemble and install the hard drive.

Bluetooth module

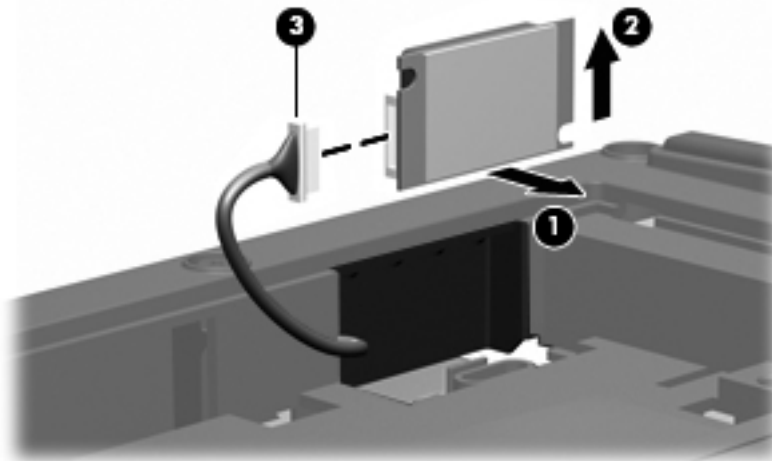
Description	Spare part number
Bluetooth module (includes Bluetooth module cable)	450485-001

Before removing the Bluetooth module, follow these steps:

1. Shut down the computer. If you are unsure whether the computer is off or in Hibernation, turn the computer on, and then shut it down through the operating system.
2. Disconnect all external devices connected to the computer.
3. Disconnect the power from the computer by first unplugging the power cord from the AC outlet and then unplugging the AC adapter from the computer.
4. Remove the battery (see [Battery on page 46](#)).
5. Remove the hard drive (see [Hard drive on page 50](#)).

Remove the Bluetooth® module:

1. Position the computer with the rear panel toward you.
2. Release the Bluetooth module **(1)** from the clip in the hard drive bay by sliding it forward.
3. Remove the Bluetooth module **(2)** from the hard drive bay by lifting it straight up.
4. Disconnect the Bluetooth module cable **(3)** from the Bluetooth module.



Reverse this procedure to reassemble and install the Bluetooth module.

Primary memory module

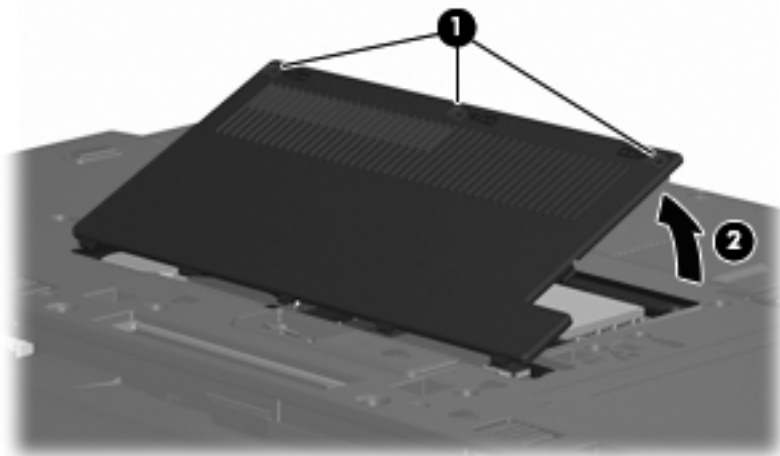
Description	Spare part number
4096-MB (PC2-5300, 667-MHz, DDR2)	469650-001
2048-MB (PC2-5300, 667-MHz, DDR2)	450576-001
1024-MB (PC2-5300, 667-MHz, DDR2)	450575-001
512-MB (PC2-5300, 667-MHz, DDR2)	450577-001

Before removing the primary memory module, follow these steps:

1. Shut down the computer. If you are unsure whether the computer is off or in Hibernation, turn the computer on, and then shut it down through the operating system.
2. Disconnect all external devices connected to the computer.
3. Disconnect the power from the computer by first unplugging the power cord from the AC outlet and then unplugging the AC adapter from the computer.
4. Remove the battery (see [Battery on page 46](#)).


Remove the primary memory module:

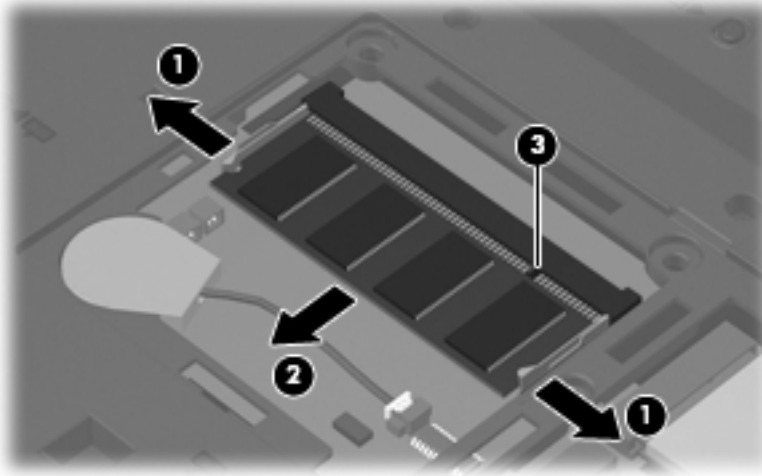
1. Loosen the three Phillips PM2.5×5.0 captive screws **(1)** that secure the memory module/WLAN module compartment cover to the computer.
2. Lift the front edge of the cover **(2)**, swing it up and forward, and remove the cover. The memory module/WLAN module compartment cover is included in the Plastics Kit, spare part number 450585-001.



3. Spread the retaining tabs **(1)** on each side of the memory module slot to release the memory module. (The edge of the module opposite the slot rises away from the computer.)

4. Remove the memory module (2) by pulling the module away from the slot at an angle.

 **NOTE:** Memory modules are designed with a notch (3) to prevent incorrect installation into the memory module slot.



Reverse this procedure to install the primary memory module.

WLAN module

Description	Spare part number
Intel 802.11a/b/g/n WLAN modules:	
<ul style="list-style-type: none"> For use in Antigua and Barbuda, Argentina, Aruba, the Bahamas, Barbados, Bermuda, Brunei, Canada, the Cayman Islands, Chile, Colombia, Costa Rica, the Dominican Republic, Ecuador, El Salvador, Guam, Guatemala, Haiti, Honduras, Hong Kong, India, Indonesia, Malaysia, Mexico, Panama, Paraguay, Peru, Saudi Arabia, Taiwan, Uruguay, the United States, Venezuela, and Vietnam 	441086-001
<ul style="list-style-type: none"> For use in Austria, Azerbaijan, Bahrain, Belgium, Brazil, Bulgaria, Croatia, Cyprus, the Czech Republic, Denmark, Egypt, Estonia, Finland, France, Georgia, Germany, Greece, Hungary, Iceland, Ireland, Israel, Italy, Latvia, Lebanon, Liechtenstein, Lithuania, Luxembourg, Malta, Monaco, the Netherlands, Norway, Oman, the Philippines, Poland, Portugal, Qatar, Romania, Russia, Serbia and Montenegro, Singapore, Slovakia, Slovenia, South Africa, Spain, Sri Lanka, Sweden, Switzerland, Turkey, Ukraine, the United Kingdom, and Uzbekistan 	441086-002
<ul style="list-style-type: none"> For use in Australia, New Zealand, Pakistan, the People's Republic of China, and South Korea 	441086-003
<ul style="list-style-type: none"> For use in Japan 	441086-291
<ul style="list-style-type: none"> For use in South Korea 	441086-AD1
Broadcom 802.11a/b/g WLAN modules:	
<ul style="list-style-type: none"> For use in Canada, Cayman Islands, Guam, Puerto Rico, the U.S. Virgin Islands, and the United States 	441075-001
<ul style="list-style-type: none"> For use in Afghanistan, Albania, Algeria, Andorra, Angola, Antigua and Barbuda, Argentina, Armenia, Aruba, Australia, Austria, Azerbaijan, the Bahamas, Bahrain, Bangladesh, Barbados, Belarus, Belgium, Belize, Benin, Bermuda, Bhutan, Bolivia, Bosnia and Herzegovina, Botswana, Brazil, the British Virgin Islands, Brunei, Bulgaria, Burkina Faso, Burundi, Cameroon, Cape Verde, the Central African Republic, Chad, Chile, China, Colombia, Comoros, the Congo, Costa Rica, Croatia, Cyprus, the Czech Republic, Denmark, Djibouti, Dominican Republic, East Timor, Ecuador, Egypt, El Salvador, Equatorial Guinea, Eritrea, Estonia, Ethiopia, Fiji, Finland, France, French Guiana, Gabon, Gambia, Georgia, Germany, Ghana, Gibraltar, Greece, Grenada, Guadeloupe, Guatemala, Guinea, Guinea-Bissau, Guyana, Haiti, Honduras, Hong Kong, Hungary, Iceland, India, Ireland, Israel, Italy, the Ivory Coast, Jamaica, Jordan, Kazakhstan, Kenya, Kiribati, Kyrgyzstan, Laos, Latvia, Lebanon, Lesotho, Liberia, Liechtenstein, Lithuania, Luxembourg, Macedonia, Madagascar, Malawi, Malaysia, the Maldives, Mali, Malta, the Marshall Islands, Martinique, Mauritania, Mauritius, Mexico, Micronesia, Monaco, Mongolia, Montenegro, Morocco, Mozambique, Namibia, Nauru, Nepal, the Nether Antilles, the Netherlands, New Zealand, Nicaragua, Niger, Nigeria, Norway, Oman, Pakistan, Palau, Panama, Papua New Guinea, Paraguay, Peru, the Philippines, Poland, Portugal, the Republic of Moldova, Romania, Russia, Rwanda, Samoa, San Marino, Sao Tome & Principe, Saudi Arabia, Senegal, Serbia and Montenegro, the Seychelles, Sierra Leone, Singapore, Slovakia, Slovenia, the Solomon Islands, Somalia, South Africa, South Korea, Spain, Sri Lanka, St. Kitts & Nevis, St. Lucia, St. Vincent & Grenada, Suriname, Swaziland, Sweden, Switzerland, Taiwan, Tajikistan, Tanzania, Togo, Tonga, Trinidad and Tobago, Tunisia, Turkey, Turkmenistan, Tuvalu, Uganda, Ukraine, the United Arab Emirates, the United Kingdom, Uruguay, Uzbekistan, Vanuatu, Venezuela, Vietnam, Yemen, Zaire, Zambia, and Zimbabwe 	441075-002
<ul style="list-style-type: none"> For use in Japan 	441075-291
Intel 802.11a/b/g WLAN modules:	
<ul style="list-style-type: none"> For use in Antigua & Barbuda, Argentina, Aruba, the Bahamas, Barbados, Bermuda, Brunei, Canada, the Cayman Islands, Chile, Colombia, Costa Rica, the Dominican Republic, Ecuador, El Salvador, Guam, Guatemala, Haiti, Honduras, Hong Kong, India, Indonesia, Malaysia, Mexico, Panama, Paraguay, Peru, Saudi Arabia, Taiwan, the United States, Uruguay, Venezuela, and Vietnam 	441082-001

Description	Spare part number
<ul style="list-style-type: none"> For use in Austria, Azerbaijan, Bahrain, Belgium, Brazil, Bulgaria, Croatia, Cyprus, the Czech Republic, Denmark, Egypt, Estonia, Finland, France, Georgia, Germany, Greece, Hungary, Iceland, Ireland, Israel, Italy, Latvia, Lebanon, Liechtenstein, Lithuania, Luxembourg, Malta, Monaco, the Netherlands, Norway, Oman, the Philippines, Poland, Portugal, Qatar, Romania, Russia, Serbia and Montenegro, Singapore, Slovakia, Slovenia, South Africa, Spain, Sri Lanka, Sweden, Switzerland, Turkey, Ukraine, the United Kingdom, and Uzbekistan 	441082-002
<ul style="list-style-type: none"> For use in Australia, New Zealand, Pakistan, the People's Republic of China, and South Korea 	441082-003
<ul style="list-style-type: none"> For use in Japan 	441082-291 and 441082-292
802.11b/g Broadcom WLAN modules:	
<ul style="list-style-type: none"> For use in Canada, the Cayman Islands, Guam, Puerto Rico, the U.S. Virgin Islands, and the United States 	441090-001
<ul style="list-style-type: none"> For use in Afghanistan, Albania, Algeria, Andorra, Angola, Antigua & Barbuda, Argentina, Armenia, Aruba, Australia, Austria, Azerbaijan, the Bahamas, Bahrain, Bangladesh, Barbados, Belarus, Belgium, Belize, Benin, Bermuda, Bhutan, Bolivia, Bosnia & Herzegovina, Botswana, Brazil, the British Virgin Islands, Brunei, Bulgaria, Burkina Faso, Burundi, Cambodia, Cameroon, Cape Verde, the Central African Republic, Chad, Chile, Colombia, Comoros, the Congo, Costa Rica, Croatia, Cyprus, the Czech Republic, Denmark, Djibouti, Dominica, the Dominican Republic, East Timor, Ecuador, Egypt, El Salvador, Equatorial Guinea, Eritrea, Estonia, Ethiopia, Fiji, Finland, France, French Guiana, Gabon, Gambia, Georgia, Germany, Ghana, Gibraltar, Greece, Grenada, Guadeloupe, Guatemala, Guinea, Guinea-Bissau, Guyana, Haiti, Honduras, Hong Kong, Hungary, Iceland, India, Indonesia, Ireland, Israel, Italy, the Ivory Coast, Jamaica, Jordan, Kazakhstan, Kenya, Kiribati, Kuwait, Kyrgyzstan, Laos, Latvia, Lebanon, Lesotho, Liberia, Liechtenstein, Lithuania, Luxembourg, Macedonia, Madagascar, Malawi, Malaysia, the Maldives, Mali, Malta, the Marshall Islands, Martinique, Mauritania, Mauritius, Mexico, Micronesia, Monaco, Mongolia, Montenegro, Morocco, Mozambique, Namibia, Nauru, Nepal, the Nether Antilles, the Netherlands, New Zealand, Nicaragua, Niger, Nigeria, Norway, Oman, Palau, Panama, Papua New Guinea, Paraguay, the People's Republic of China, Peru, the Philippines, Poland, Portugal, Qatar, the Republic of Moldova, Romania, Russia, Rwanda, Samoa, San Marino, Sao Tome & Principe, Saudi Arabia, Senegal, Serbia and Montenegro, the Seychelles, Sierra Leone, Singapore, Slovakia, Slovenia, the Solomon Islands, Somalia, South Africa, South Korea, Spain, Sri Lanka, St. Kitts & Nevis, St. Lucia, St. Vincent & Grenada, Suriname, Swaziland, Sweden, Switzerland, Taiwan, Tajikistan, Tanzania, Thailand, Togo, Tonga, Trinidad & Tobago, Tunisia, Turkey, Turkmenistan, Tuvalu, Uganda, Ukraine, the United Arab Emirates, the United Kingdom, Uruguay, Uzbekistan, Vanuatu, Venezuela, Vietnam, Yemen, Zaire, Zambia, and Zimbabwe 	441090-002
<ul style="list-style-type: none"> For use in Japan 	441090-291
802.11b/g Intel WLAN module for use in Thailand	448675-004


Before removing the WLAN module, follow these steps:

1. Shut down the computer. If you are unsure whether the computer is off or in Hibernation, turn the computer on, and then shut it down through the operating system.
2. Disconnect all external devices connected to the computer.
3. Disconnect the power from the computer by first unplugging the power cord from the AC outlet and then unplugging the AC adapter from the computer.


4. Remove the battery (see [Battery on page 46](#)).
5. Remove the memory module/WLAN module compartment cover (see [Primary memory module on page 54](#)).

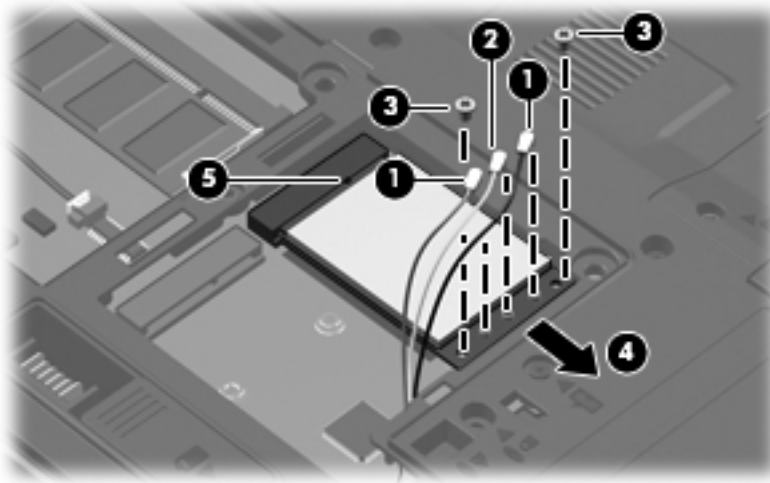
Remove the WLAN module:

1. Disconnect the WLAN antenna cables (1) from the terminals on the WLAN module.

 **NOTE:** The black WLAN antenna cable is connected to the WLAN module “Main” terminal. The white WLAN antenna cable is connected to the WLAN module “Aux” terminal. If the computer is equipped with an 802.11a/b/g/n WLAN module, the yellow WLAN antenna cable (2) is connected to the middle terminal on the WLAN module.


2. Remove the two Phillips PM2.0×3.0 screws (3) that secure the WLAN module to the computer. (The edge of the module opposite the slot rises away from the computer.)
3. Remove the WLAN module (4) by pulling the module away from the slot at an angle.

 **NOTE:** WLAN modules are designed with a notch (5) to prevent incorrect installation.



Reverse this procedure to install the WLAN module.

RTC battery

 **NOTE:** Removing the RTC battery and leaving it uninstalled for 5 or more minutes causes all passwords and CMOS settings to be cleared.

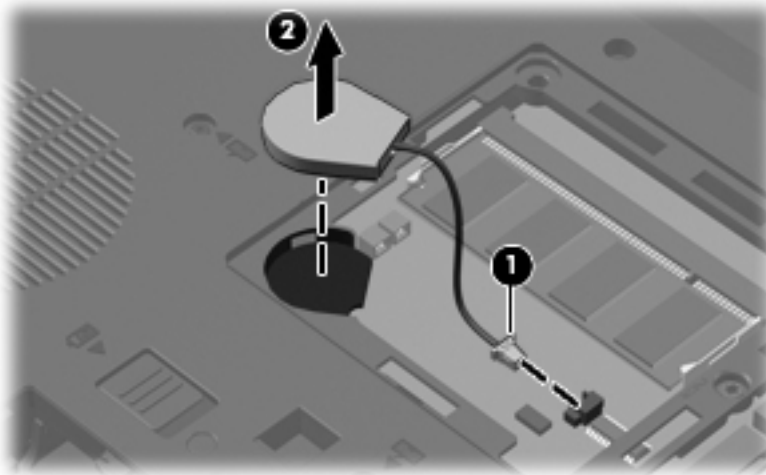
Description	Spare part number
RTC battery	450478-001

Before removing the RTC battery, follow these steps:

1. Shut down the computer. If you are unsure whether the computer is off or in Hibernation, turn the computer on, and then shut it down through the operating system.
2. Disconnect all external devices connected to the computer.
3. Disconnect the power from the computer by first unplugging the power cord from the AC outlet and then unplugging the AC adapter from the computer.
4. Remove the battery (see [Battery on page 46](#)).
5. Remove the memory module/WLAN module compartment cover (see [Primary memory module on page 54](#)).

Remove the RTC battery:

1. Disconnect the RTC battery cable (1) from the system board.
2. Remove the RTC battery (2) from the clip built into the base enclosure.



Reverse this procedure to install the RTC battery.

Optical drive

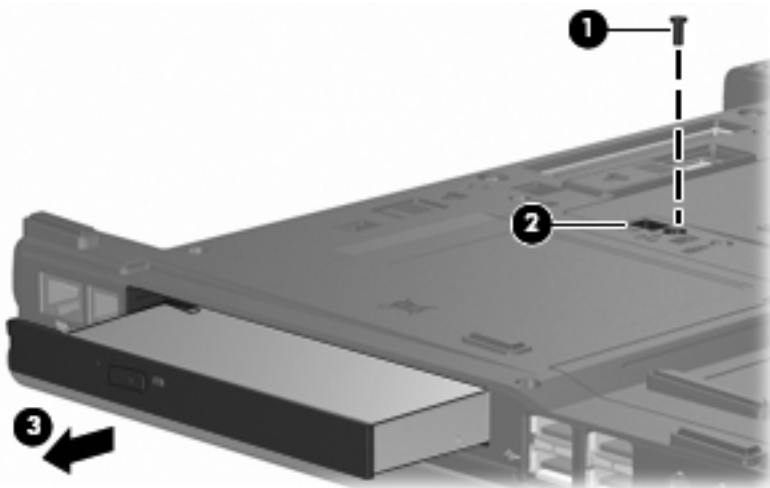
Description	Spare part number
DVD±RW and CD-RW Super Multi Double-Layer Combo Drive with LightScribe	450490-001
DVD±RW and CD-RW Super Multi Double-Layer Combo Drive	450491-001
DVD/CD-RW Combo Drive	450492-001
Blu-ray DVD-RW Drive	450489-001
DVD-ROM Drive	450488-001

Before removing the optical drive, follow these steps:

1. Shut down the computer. If you are unsure whether the computer is off or in Hibernation, turn the computer on, and then shut it down through the operating system.
2. Disconnect all external devices connected to the computer.
3. Disconnect the power from the computer by first unplugging the power cord from the AC outlet and then unplugging the AC adapter from the computer.
4. Remove the battery (see [Battery on page 46](#)).

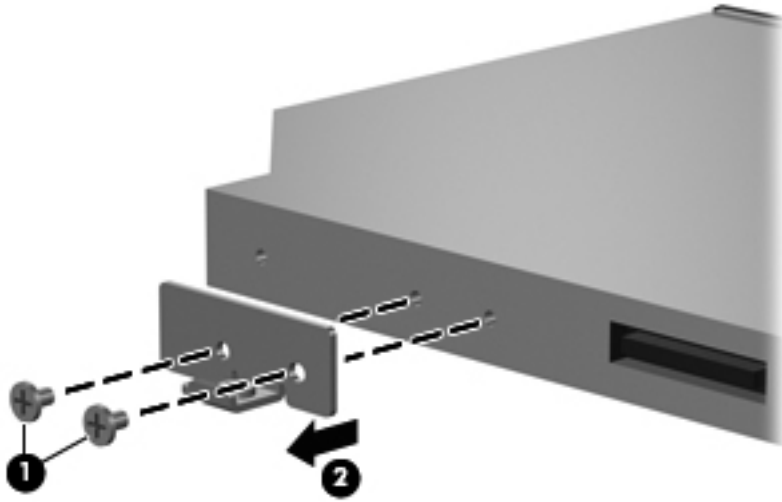
Remove the optical drive:

1. Position the computer with the left side toward you.
2. Remove the Phillips PM2.5×9.0 screw (1) that secures the optical drive to the computer.
3. Insert a flat-bladed screwdriver or similar tool into the optical drive tab access (2) and press the tab to the left to release the optical drive from the computer.
4. Remove the optical drive (3).



5. If it is necessary to replace the optical drive bracket, position the optical drive with the rear toward you.

6. Remove the two Phillips PM2.0×4.0 screws (1) that secure the optical drive bracket to the optical drive.
7. Remove the optical drive bracket (2).



Reverse this procedure to install an optical drive.

Keyboard

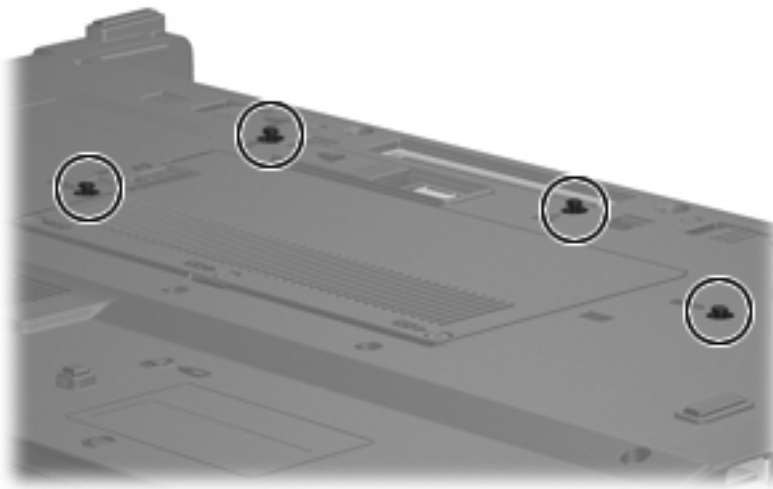
For use in:	Spare part number	For use in:	Spare part number
Keyboards with pointing stick (includes pointing stick cable):			
Belgium	450471-A41	Norway	450471-091
Brazil	450471-201	Portugal	450471-131
The Czech Republic	450471-221	Russia	450471-251
Denmark	450471-081	Saudi Arabia	450471-171
France	450471-051	Slovakia	450471-231
French Canada	450471-121	Slovenia	450471-AD1
Germany	450471-041	South Korea	450471-BA1
Greece	450471-151	Spain	450471-071
Hungary	450471-211	Sweden and Finland	450471-B71
Iceland	450471-DD1	Switzerland	450471-111
Israel	450471-BB1	Taiwan	450471-AB1
Italy	450471-061	Thailand	450471-281
Japan	450471-291	Turkey	450471-141
Latin America	450471-161	The United Kingdom	450471-031
The Netherlands and Europe	450471-021	The United States	450471-001
Keyboards without pointing stick:			
Belgium	450472-A41	Norway	450472-091
Brazil	450472-201	Portugal	450472-131
The Czech Republic	450472-221	Russia	450472-251
Denmark	450472-081	Saudi Arabia	450472-171
France	450472-051	Slovakia	450472-231
French Canada	450472-121	Slovenia	450472-AD1
Germany	450472-041	South Korea	450472-BA1
Greece	450472-151	Spain	450472-071
Hungary	450472-211	Sweden and Finland	450472-B71
Iceland	450472-DD1	Switzerland	450472-111
Israel	450472-BB1	Taiwan	450472-AB1
Italy	450472-061	Thailand	450472-281
Japan	450472-291	Turkey	450472-141
Latin America	450472-161	The United Kingdom	450472-031
The Netherlands and Europe	450472-021	The United States	450472-001

Before removing the keyboard, follow these steps:

1. Shut down the computer. If you are unsure whether the computer is off or in Hibernation, turn the computer on, and then shut it down through the operating system.
2. Disconnect all external devices connected to the computer.
3. Disconnect the power from the computer by first unplugging the power cord from the AC outlet and then unplugging the AC adapter from the computer.
4. Remove the battery (see [Battery on page 46](#)).

Remove the keyboard:

1. Position the computer with the front toward you.
2. Loosen the four Phillips PM2.5×9.0 captive screws that secure the keyboard to the computer.

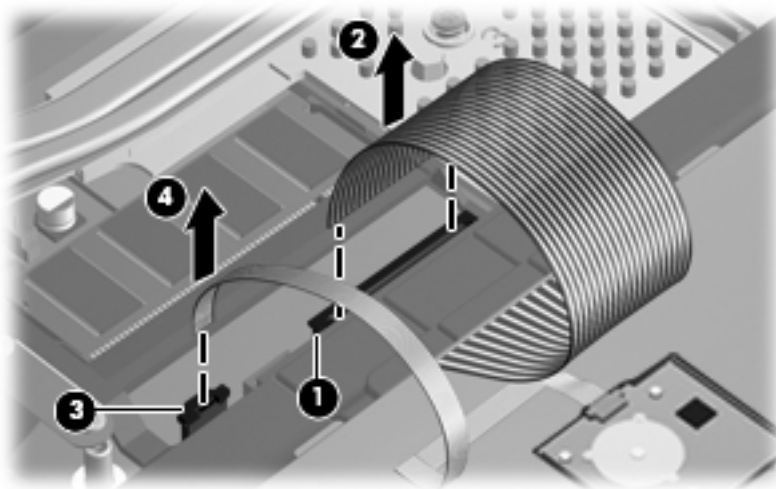


3. Open the computer, and rest it on its right side.

4. Lift the upper left corner of the keyboard (1) and swing the left side of the keyboard (2) forward.



5. Turn the computer right-side up, with the front toward you.
6. Release the zero insertion force (ZIF) connector (1) to which the keyboard cable is attached, and disconnect the keyboard cable (2) from the system board.
7. Release the ZIF connector (3) to which the pointing stick cable is attached, and disconnect the pointing stick cable (4) from the system board.



8. Remove the keyboard.

Reverse this procedure to install the keyboard.

Expansion memory module


Description	Spare part number
4096-MB (PC2-5300, 667-MHz, DDR2)	469650-001
2048-MB (PC2-5300, 667-MHz, DDR2)	450576-001
1024-MB (PC2-5300, 667-MHz, DDR2)	450575-001
512-MB (PC2-5300, 667-MHz, DDR2)	450577-001

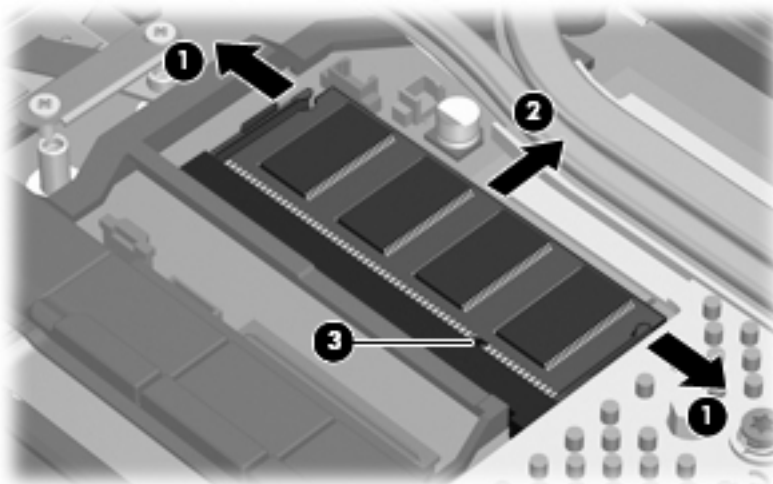
Before removing the expansion memory module, follow these steps:

1. Shut down the computer. If you are unsure whether the computer is off or in Hibernation, turn the computer on, and then shut it down through the operating system.
2. Disconnect all external devices connected to the computer.
3. Disconnect the power from the computer by first unplugging the power cord from the AC outlet and then unplugging the AC adapter from the computer.
4. Remove the battery (see [Battery on page 46](#)).
5. Remove the keyboard (see [Keyboard on page 62](#)).

Remove the expansion memory module:


1. Spread the retaining tabs **(1)** on each side of the memory module slot to release the memory module. (The edge of the module opposite the slot rises away from the computer.)
2. Remove the memory module **(2)** by pulling the module away from the slot at an angle.

 **NOTE:** Memory modules are designed with a notch **(3)** to prevent incorrect installation into the memory module slot.



Reverse this procedure to install the expansion memory module.

TouchPad

 **NOTE:** All TouchPad spare part kits include a TouchPad cable.

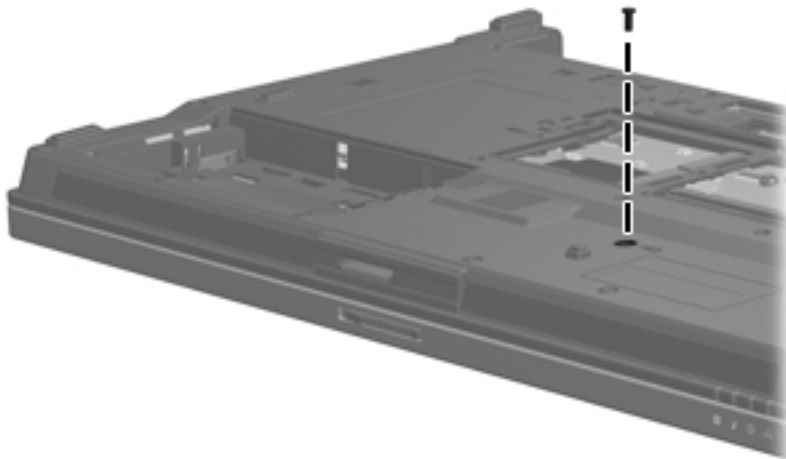
Description	Spare part number
For use with keyboards with a pointing stick, includes 3 pointing stick buttons and 3 TouchPad buttons	450597-001
For use with keyboards without a pointing stick, includes 2 TouchPad buttons	450596-001

Before removing the TouchPad, follow these steps:

1. Shut down the computer. If you are unsure whether the computer is off or in Hibernation, turn the computer on, and then shut it down through the operating system.
2. Disconnect all external devices connected to the computer.
3. Disconnect the power from the computer by first unplugging the power cord from the AC outlet and then unplugging the AC adapter from the computer.
4. Remove the battery (see [Battery on page 46](#)).
5. Remove the keyboard (see [Keyboard on page 62](#)).

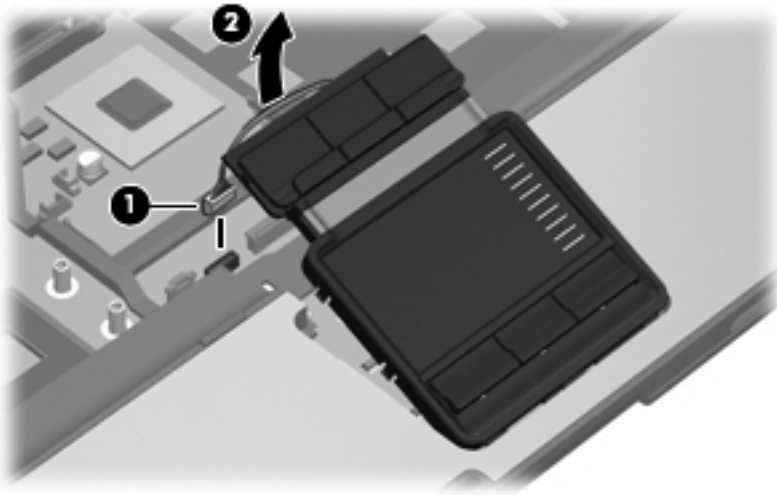
Remove the TouchPad:

1. Turn the computer upside down, with the front toward you.
2. Remove the Torx T8M2.5×9.0 screw that secures the TouchPad to the computer.



3. Turn the computer right-side up, with the front toward you.
4. Disconnect the TouchPad cable **(1)** from the system board.

5. Lift the rear edge of the TouchPad (2) until it disengages from the top cover.



6. Remove the TouchPad.

Reverse this procedure to install the TouchPad.

Modem module

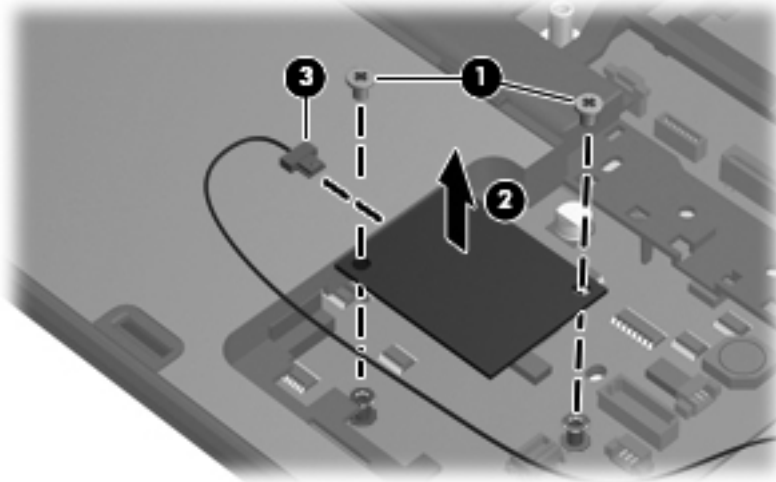
Description	Spare part number
Modem module	443899-001

Before removing the modem module, follow these steps:

1. Shut down the computer. If you are unsure whether the computer is off or in Hibernation, turn the computer on, and then shut it down through the operating system.
2. Disconnect all external devices connected to the computer.
3. Disconnect the power from the computer by first unplugging the power cord from the AC outlet and then unplugging the AC adapter from the computer.
4. Remove the battery (see [Battery on page 46](#)).
5. Remove the keyboard (see [Keyboard on page 62](#)).
6. Remove the TouchPad (see [TouchPad on page 66](#)).

Remove the modem module:

1. Remove the two Phillips PM2.0×4.0 screws (1) that secure the modem module to the system board.
2. Disconnect the modem module (2) from the system board by lifting it straight up.
3. Disconnect the modem module cable (3) from the modem module.



4. Remove the modem module.

Reverse this procedure to install the modem module.

Switch cover

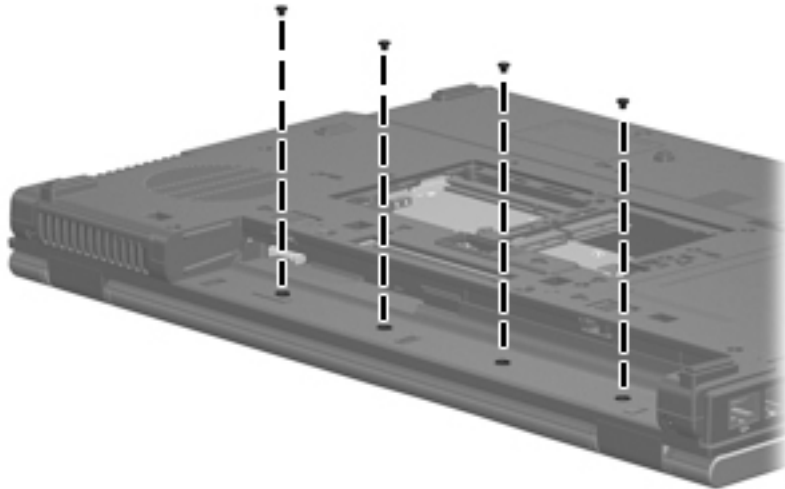
Description	Spare part number
Switch cover (includes LED board and cable)	450479-001

Before removing the switch cover, follow these steps:

1. Shut down the computer. If you are unsure whether the computer is off or in Hibernation, turn the computer on, and then shut it down through the operating system.
2. Disconnect all external devices connected to the computer.
3. Disconnect the power from the computer by first unplugging the power cord from the AC outlet and then unplugging the AC adapter from the computer.
4. Remove the battery (see [Battery on page 46](#)).
5. Remove the keyboard (see [Keyboard on page 62](#)).

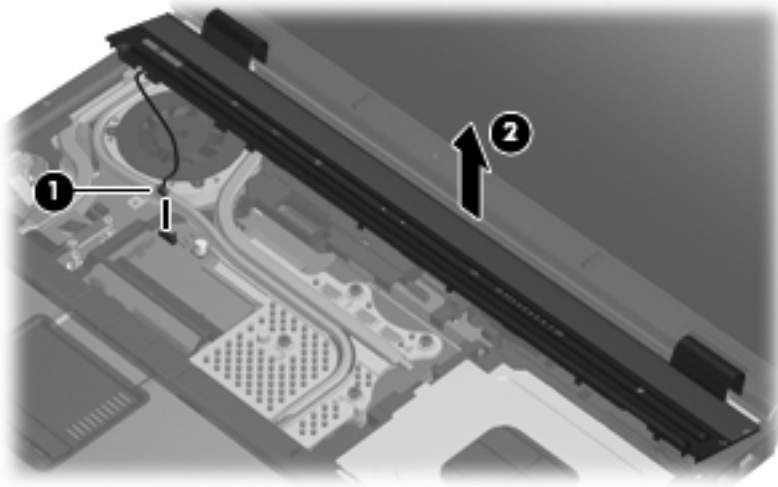
Remove the switch cover:

1. Turn the computer upside down, with the rear panel toward you.
2. Remove the four Torx T8M2.5×4.0 screws that secure the switch cover to the computer.

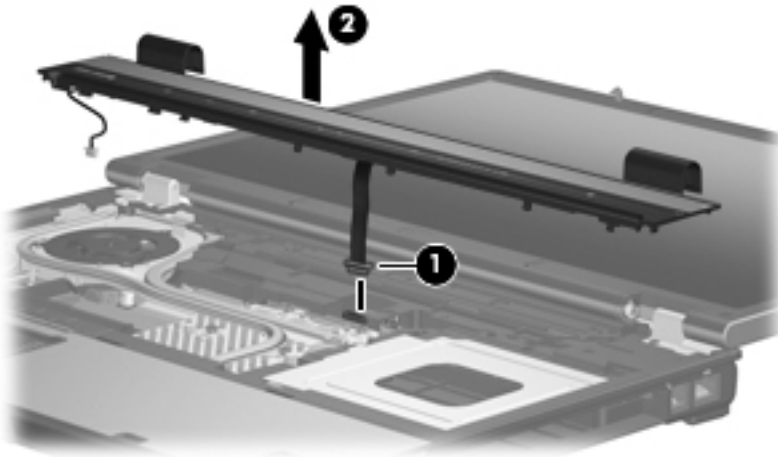


3. Turn the computer right-side up, with the front toward you.
4. Open the computer as far as possible.
5. Disconnect the power button board cable **(1)** from the system board.

6. Lift the front edge of the switch cover (2) until it disengages from the computer.



7. Release the ZIF connector (1) to which the LED board cable is connected and disconnect the cable from the system board.
8. Remove the switch cover (2).



Reverse this procedure to install the switch cover.

Power button board

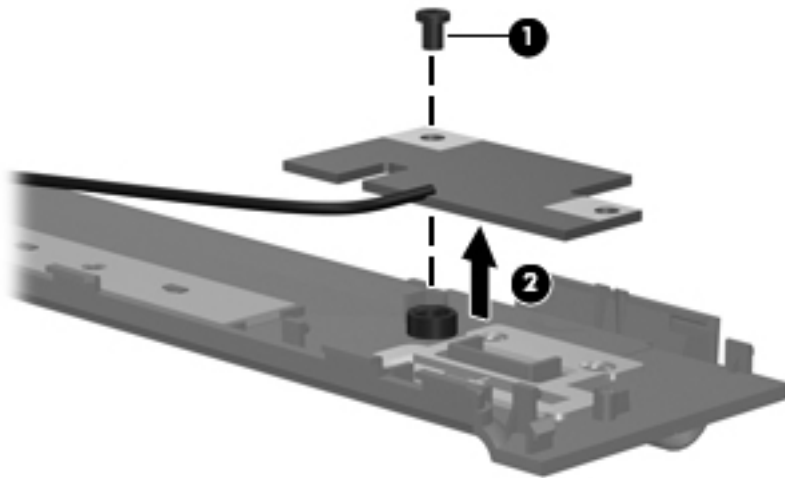
Description	Spare part number
Power button board (includes cable)	450481-001

Before removing the power button board, follow these steps:

1. Shut down the computer. If you are unsure whether the computer is off or in Hibernation, turn the computer on, and then shut it down through the operating system.
2. Disconnect all external devices connected to the computer.
3. Disconnect the power from the computer by first unplugging the power cord from the AC outlet and then unplugging the AC adapter from the computer.
4. Remove the battery (see [Battery on page 46](#)).
5. Remove the keyboard (see [Keyboard on page 62](#)).
6. Remove the switch cover (see [Switch cover on page 69](#)).

Remove the power button board:

1. Turn the switch cover upside down, with the front toward you.
2. Remove the Torx T8M2.5×4.0 screw (1) that secures the power button board to the switch cover.
3. Remove the power button board (2).



Reverse this procedure to install the power button board.

Fan/heat sink assembly

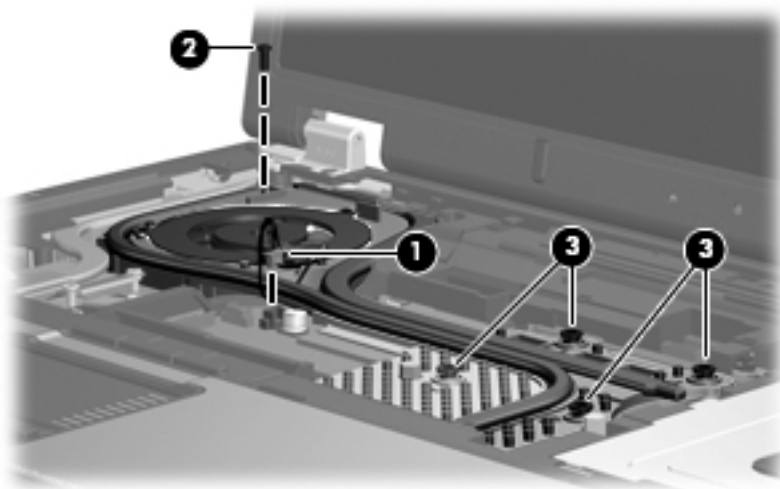
Description	Spare part number
Fan/heat sink assembly (includes replacement thermal material)	450594-001

Before removing the fan/heat sink assembly, follow these steps:

1. Shut down the computer. If you are unsure whether the computer is off or in Hibernation, turn the computer on, and then shut it down through the operating system.
2. Disconnect all external devices connected to the computer.
3. Disconnect the power from the computer by first unplugging the power cord from the AC outlet and then unplugging the AC adapter from the computer.
4. Remove the battery (see [Battery on page 46](#)).
5. Remove the keyboard (see [Keyboard on page 62](#)).
6. Remove the switch cover (see [Switch cover on page 69](#)).

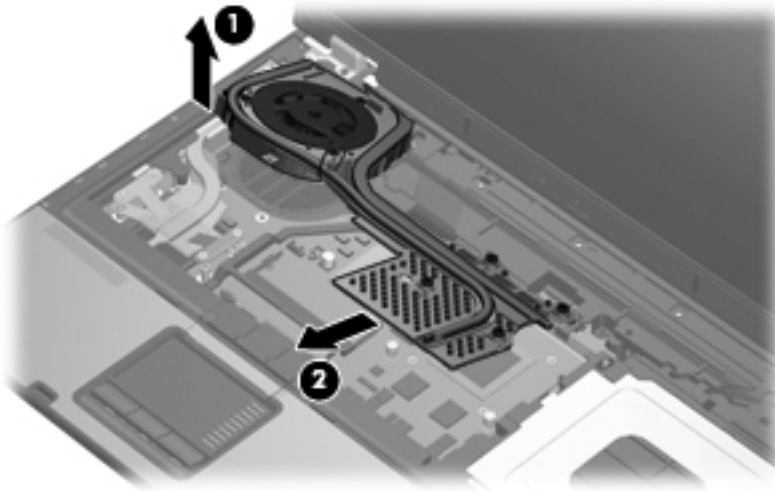
Remove the fan/heat sink assembly:


1. Disconnect the fan cable **(1)** from the system board.
2. Remove the Torx T8M2.5×7.0 screw **(2)** that secures the fan/heat sink assembly to the computer.
3. Loosen the four Torx T8M2.0×10.0 screws **(3)** that secure the fan/heat sink assembly to the computer.

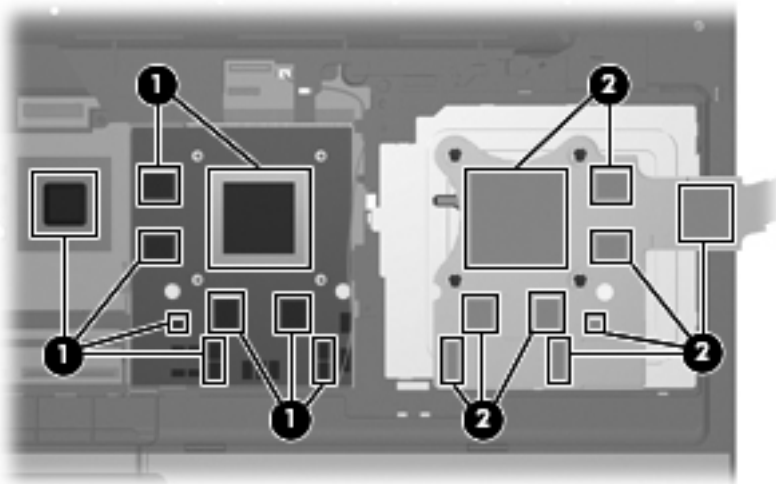


4. Lift the front edge of the fan/heat sink assembly **(1)** to disengage it from the system board and graphics card.

5. Remove the fan/heat sink assembly (2) by sliding it forward.



 **NOTE:** The thermal material must be thoroughly cleaned from the surfaces of the graphics card (1) and fan/heat sink assembly(2) each time the fan/heat sink assembly is removed. Thermal material is included with all fan/heat sink assembly and graphics card spare part kits.



Reverse this procedure to reassemble and install the fan/heat sink assembly.

Graphics card



NOTE: All graphics card spare part kits include replacement thermal material.

Description	Spare part number
For use only with computer models equipped with processors with 3- or 6-MB L2 cache	468952-001
For use only with HP Compaq 8710w computer models with processors with 2- or 4-MB L2 cache (nVidia NB8E-GLM graphics card with 512 MB graphics subsystem memory operating at 800 MHz)	451377-001
For use only with HP Compaq 8710p computer models with processors with 2- or 4-MB L2 cache (nVidia NB8P-NVS2 graphics card with 256 MB of graphics subsystem memory operating at 700 MHz; supports TurboCache)	450484-001

Before removing the graphics card, follow these steps:

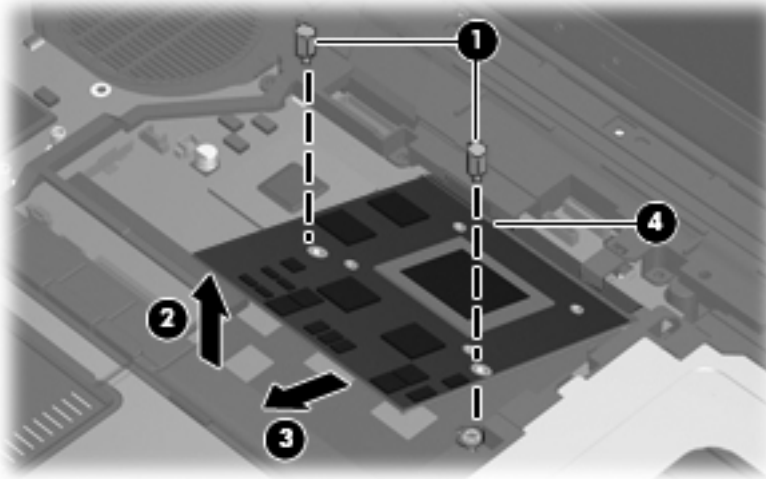
1. Shut down the computer. If you are unsure whether the computer is off or in Hibernation, turn the computer on, and then shut it down through the operating system.
2. Disconnect all external devices connected to the computer.
3. Disconnect the power from the computer by first unplugging the power cord from the AC outlet and then unplugging the AC adapter from the computer.
4. Remove the battery (see [Battery on page 46](#)).
5. Remove the following components:
 - a. Keyboard (see [Keyboard on page 62](#))
 - b. Switch cover (see [Switch cover on page 69](#))
 - c. Fan/heat sink assembly (see [Fan/heat sink assembly on page 72](#))


Remove the graphics card:

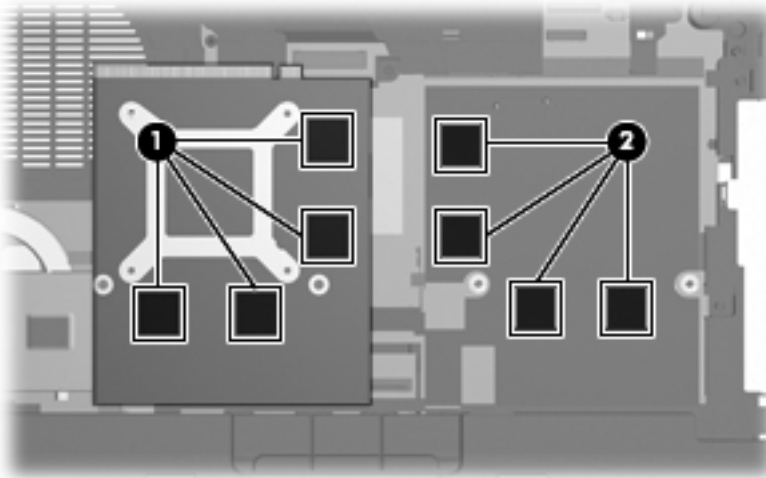
1. Remove the two HM5.0×10.0 standoffs **(1)** that secure the graphics card to the system board.
2. Lift the front edge of the graphics card **(2)** until it clears the adjacent edge of the top cover.

3. Remove the graphics card (3) by sliding it away from the graphics card slot at an angle.

 **NOTE:** The graphics card is designed with a notch (4) to prevent incorrect installation.




 **NOTE:** The thermal material must be thoroughly cleaned from the surfaces of the graphics card (1) and fan/heat sink assembly (2) each time the fan/heat sink assembly is removed. Thermal material is included with all fan/heat sink assembly and graphics card spare part kits.



Reverse this procedure to install the graphics card.

Heat sink

 **NOTE:** Replacement thermal material is included with all heat sink spare part kits.

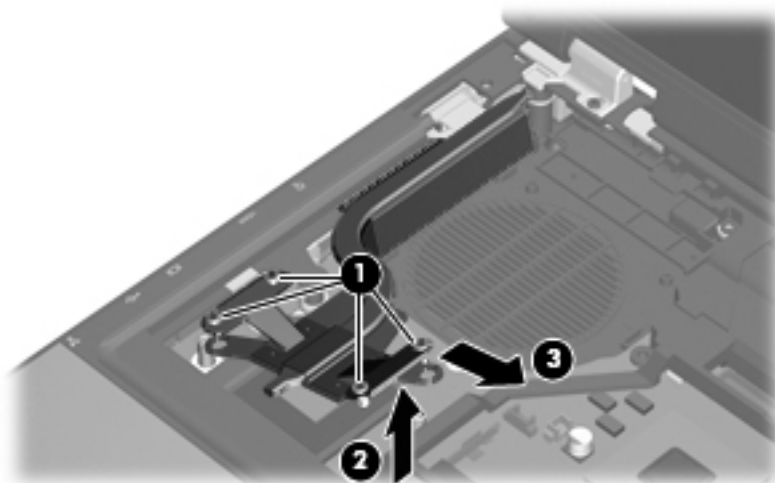
Description	Spare part number
For use only with computer models equipped with processors with 3- or 6-MB L2 cache	468593-001
For use only with computer models equipped with processors with 2- or 4-MB L2 cache	450593-001

Before removing the processor heat sink, follow these steps:

1. Shut down the computer. If you are unsure whether the computer is off or in Hibernation, turn the computer on, and then shut it down through the operating system.
2. Disconnect all external devices connected to the computer.
3. Disconnect the power from the computer by first unplugging the power cord from the AC outlet and then unplugging the AC adapter from the computer.
4. Remove the battery (see [Battery on page 46](#)).
5. Remove the following components:
 - a. Keyboard (see [Keyboard on page 62](#))
 - b. Switch cover (see [Switch cover on page 69](#))
 - c. Fan/heat sink assembly (see [Fan/heat sink assembly on page 72](#))


Remove the processor heat sink:

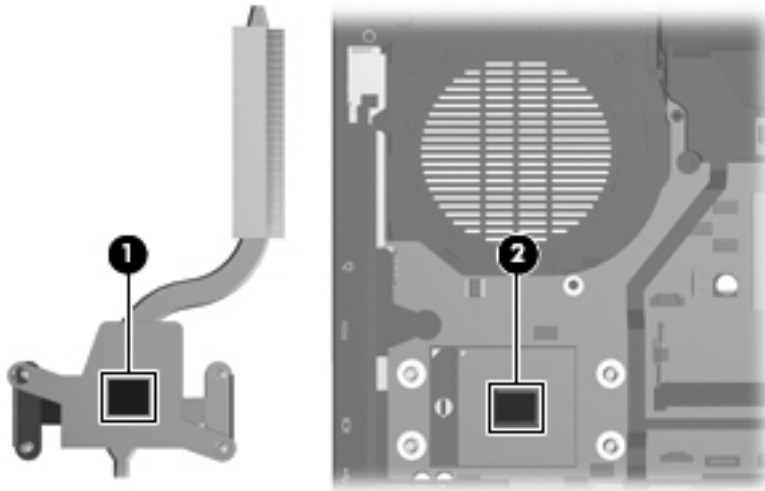
1. Loosen the four Phillips PM2.5×7.0 screws (1) that secure the processor heat sink to the base enclosure.
2. Lift the right side of the processor heat sink (2) until it disengages from the processor.
3. Release the processor heat sink (3) by sliding it to the right until it clears the base enclosure.




4. Remove the processor heat sink.

Reverse this procedure to install the processor heat sink.

 **NOTE:** The thermal material must be thoroughly cleaned from the surfaces of the processor heat sink (1) and the processor (2) each time the processor heat sink is removed. Thermal material is included with all processor heat sink and processor spare part kits.



Processor

 **NOTE:** Replacement thermal material is included with all processor spare part kits.

Description	Spare part number
Intel Core 2 Duo T9500 2.6-GHz processor (6-MB L2 cache, 800-MHz FSB)	463051-001
Intel Core 2 Duo T9300 2.5-GHz processor (6-MB L2 cache, 800-MHz FSB)	463050-001
Intel Core 2 Duo T8300 2.4-GHz processor (3-MB L2 cache, 800-MHz FSB)	463049-001
Intel Core 2 Duo T8100 2.1-GHz processor (3-MB L2 cache, 800-MHz FSB)	463048-001
Intel Core 2 Duo T7800 2.6-GHz processor (4-MB L2 cache, 800-MHz FSB)	458218-001
Intel Core 2 Duo T7700 2.4-GHz processor (4-MB L2 cache, 800-MHz FSB)	450589-001
Intel Core 2 Duo T7500 2.2-GHz processor (4-MB L2 cache, 800-MHz FSB)	450588-001
Intel Core 2 Duo T7300 2.0-GHz processor (4-MB L2 cache, 800-MHz FSB)	450587-001
Intel Core 2 Duo T7250 2.0-GHz processor (4-MB L2 cache, 800-MHz FSB)	460283-001
Intel Core 2 Duo T7100 1.8-GHz processor (2-MB L2 cache, 800-MHz FSB)	446440-001


Before removing the processor, follow these steps:

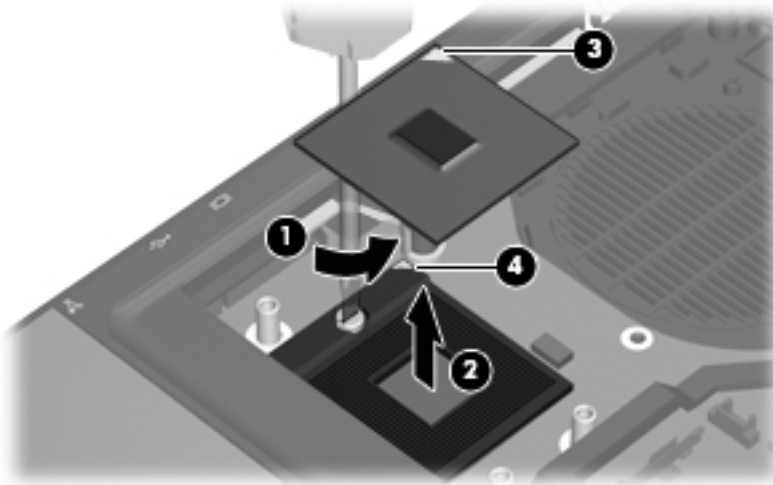
1. Shut down the computer. If you are unsure whether the computer is off or in Hibernation, turn the computer on, and then shut it down through the operating system.
2. Disconnect all external devices connected to the computer.
3. Disconnect the power from the computer by first unplugging the power cord from the AC outlet and then unplugging the AC adapter from the computer.

4. Remove the battery (see [Battery on page 46](#)).
5. Remove the following components:
 - a. Keyboard (see [Keyboard on page 62](#))
 - b. Switch cover (see [Switch cover on page 69](#))
 - c. Fan/heat sink assembly (see [Fan/heat sink assembly on page 72](#))
 - d. Processor heat sink (see [Heat sink on page 76](#))

Remove the processor:


1. Use a flat-bladed screwdriver to turn the processor locking screw **(1)** one-half turn counterclockwise until you hear a click.
2. Lift the processor **(2)** straight up and remove it.

 **NOTE:** The gold triangle **(3)** on the processor must be aligned with the triangle **(4)** embossed on the processor socket when you install the processor.



Reverse this procedure to install the processor.

Display assembly

 **NOTE:** All display assembly spare part kits include 3 WLAN antenna transceivers and cables.

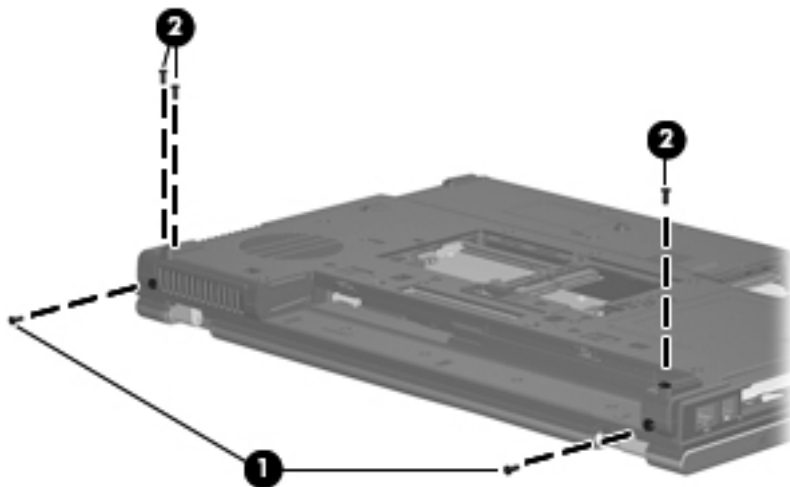
Description	Spare part number
17.0-inch, WUXGA+ WVA AntiGlare display assembly	450582-001
17.0-inch, WSXGA+ WVA AntiGlare display assembly	450580-001
17.0-inch, WSXGA+ WVA BrightView display assembly	450581-001
17.0-inch, WXGA+ AntiGlare display assembly	450583-001

Before removing the display assembly, follow these steps:

1. Shut down the computer. If you are unsure whether the computer is off or in Hibernation, turn the computer on, and then shut it down through the operating system.
2. Disconnect all external devices connected to the computer.
3. Disconnect the power from the computer by first unplugging the power cord from the AC outlet and then unplugging the AC adapter from the computer.
4. Remove the battery (see [Battery on page 46](#)).
5. Remove the keyboard (see [Keyboard on page 62](#)).
6. Remove the switch cover (see [Switch cover on page 69](#)).

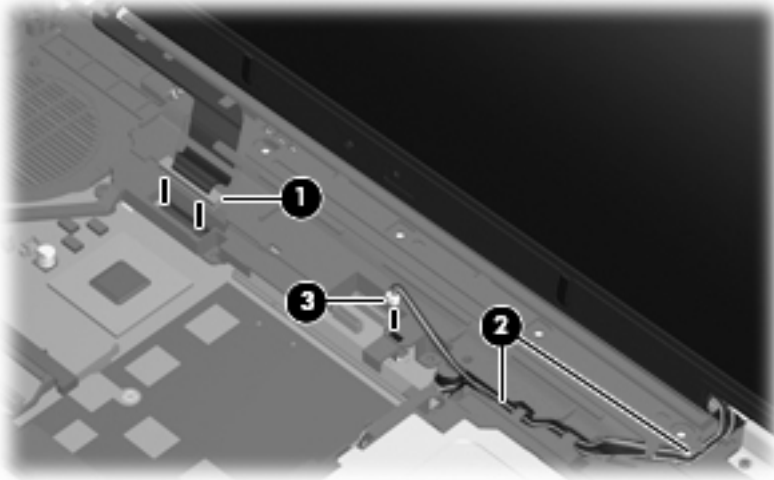
Remove the display assembly:

1. Turn the computer upside down, with the rear panel toward you.
2. Remove the two Torx T8M2.5×9.0 screws (1) from the rear panel that secure the display assembly to the computer.
3. Remove the three Torx T8M2.5×9.0 screws (2) from the base enclosure that secure the display assembly to the computer.

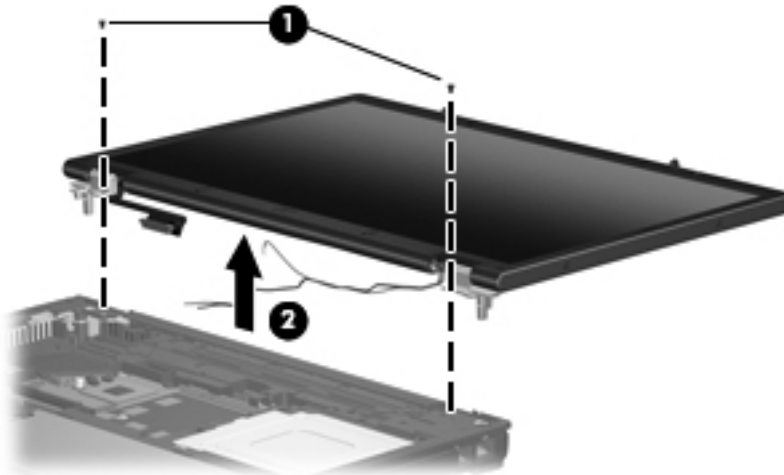


4. Turn the computer right-side up, with the front toward you.


5. Disconnect the display panel cable (1) from the system board.
6. Remove the wireless antenna cables, the microphone cable, and the microphone extension cable from the clips (2) and routing channels built into the top cover.
7. Disconnect the microphone cable (3) from the microphone extension cable.



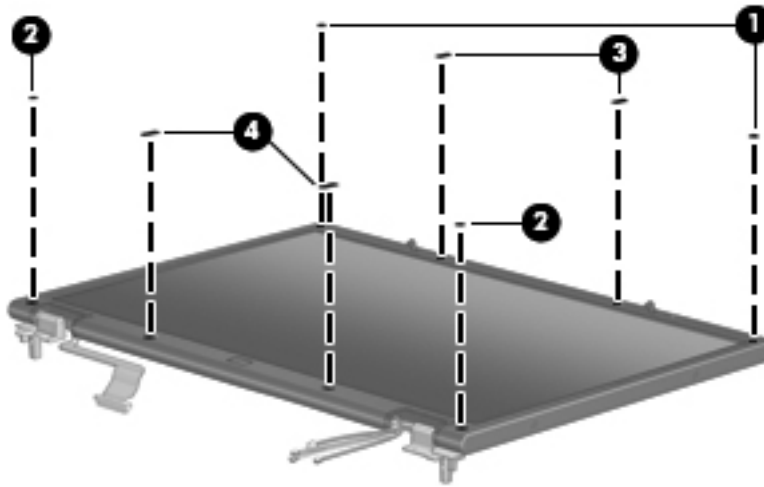
8. Open the computer as far as possible.
9. Remove the two Torx T8M2.5×4.0 screws (1) that secure the display assembly to the computer.
10. Lift the display assembly (2) straight up and remove it.



11. If it is necessary to replace the display bezel or display hinges, remove the rubber screw covers listed below. All rubber screw covers are included in the Display Rubber Kit, spare part number 450573-001.

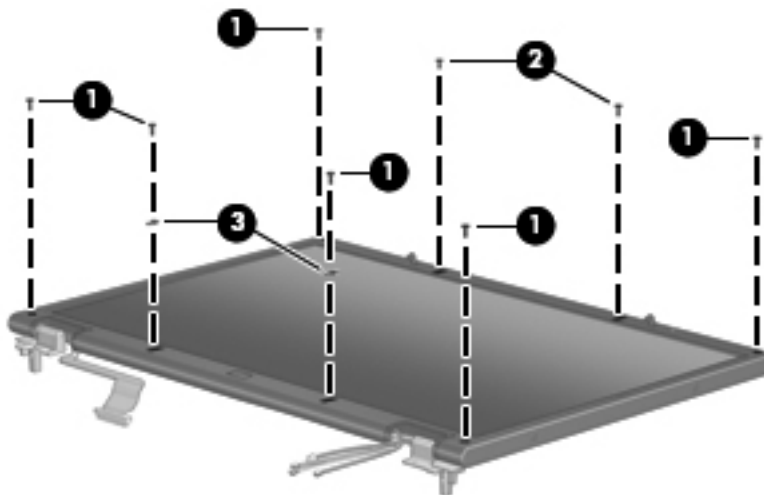
 **NOTE:** See [Display inverter and ambient light sensor board on page 47](#) for display inverter and ambient light sensor board replacement instructions.

- (1) Two rounded rubber screw covers on the display bezel top edge corners
- (2) Two flat rubber screw covers on the display bezel bottom edge corners
- (3) Two small oblong rubber screw covers on the display bezel top edge
- (4) Two large oblong rubber screw covers on the display bezel top edge

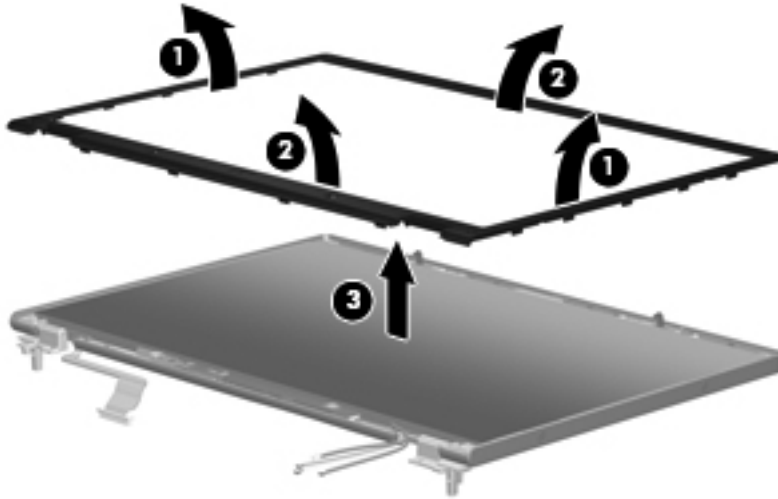


12. Remove the following screws:

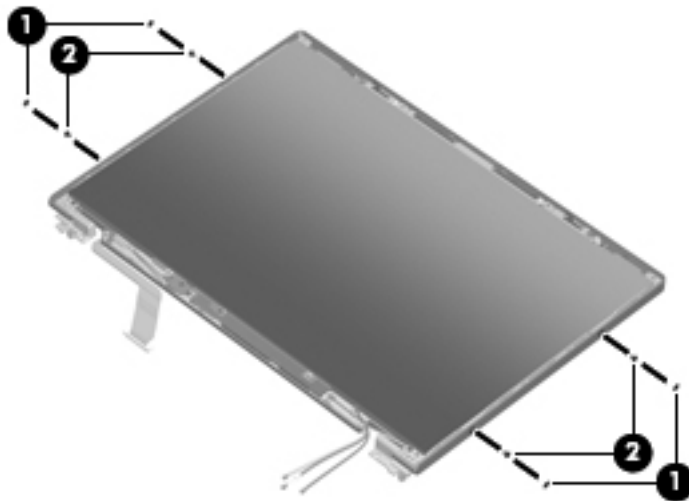
- (1) Six Phillips PM2.5×7.0 screws
- (2) Two Phillips PM2.0×6.0 screws
- (3) Two stabilizer clips



13. Flex the inside edges of the left and right sides (1) and the top and bottom sides (2) of the display bezel until the bezel disengages from the display enclosure.
14. Remove the display bezel (3). The display bezel is available using spare part number 450500-001.

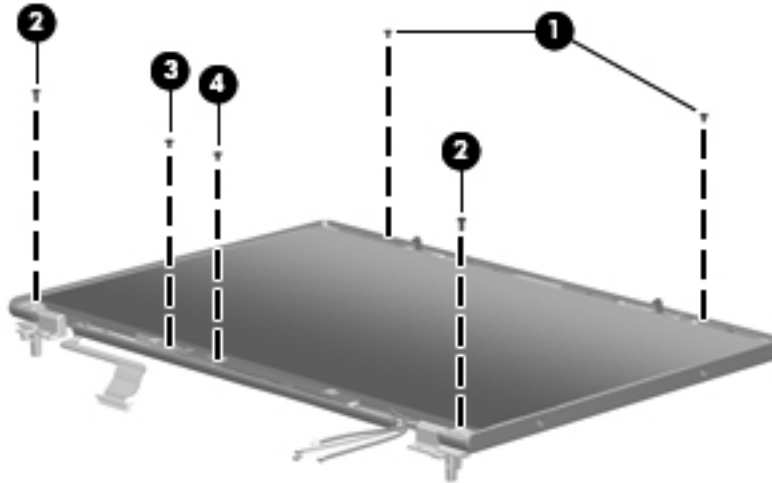


15. Remove the four mylar screw covers (1) from the left and right sides of the display enclosure.
16. Remove the four Torx T8M2.5×4.0 screws (2) that secure the display panel to the display enclosure.

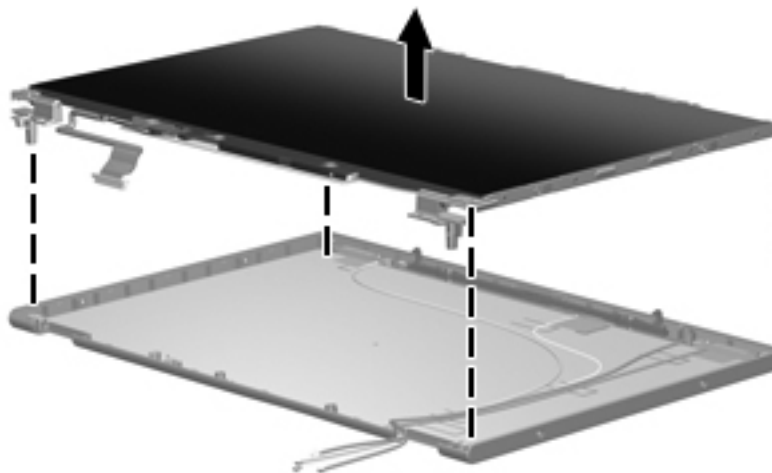


17. Remove the following screws:

- (1) Two Torx T8M2.5×4.0 screws on the display panel top edge
- (2) Two Torx T8M2.5×7.0 screws on the display panel bottom edge
- (3) One Torx T8M2.5×4.0 screw that secures the ambient light sensor to the display enclosure
- (4) One Torx T8M2.5×4.0 screw that secures the display inverter to the display enclosure

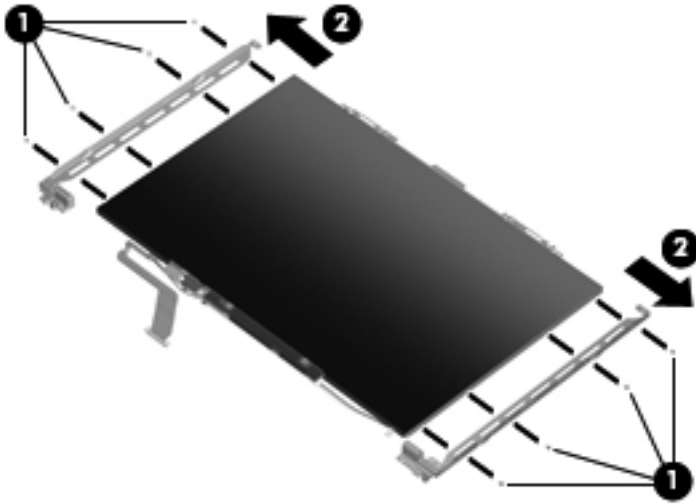


18. Remove the display panel from the display enclosure.




19. Remove the four Phillips PM2.0×4.0 screws (1) that secure each display hinge to the display panel.

20. Remove the display hinges (2). The left and right display hinges are included in the Display Bracket Kit, spare part number 450570-001.



Reverse this procedure to reassemble and install the display assembly.

Top cover

 **NOTE:** All top cover spare part kits include a fingerprint reader board and cable.

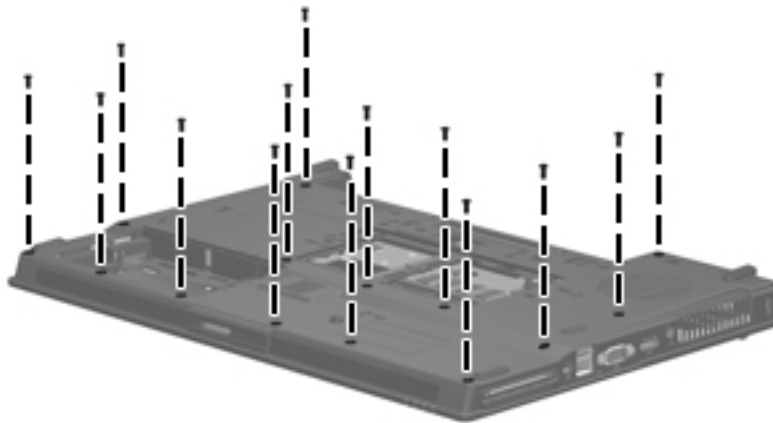
Description	Spare part number
For use only with HP Compaq 8710w computer models	451379-001
For use only with HP Compaq 8710p computer models	450595-001

Before removing the top cover, follow these steps:

1. Shut down the computer. If you are unsure whether the computer is off or in Hibernation, turn the computer on, and then shut it down through the operating system.
2. Disconnect all external devices connected to the computer.
3. Disconnect the power from the computer by first unplugging the power cord from the AC outlet and then unplugging the AC adapter from the computer.
4. Remove the following components:
 - a. Battery (see [Battery on page 46](#))
 - b. Keyboard (see [Keyboard on page 62](#))
 - c. Switch cover (see [Switch cover on page 69](#))
 - d. Display assembly (see [Display assembly on page 79](#))

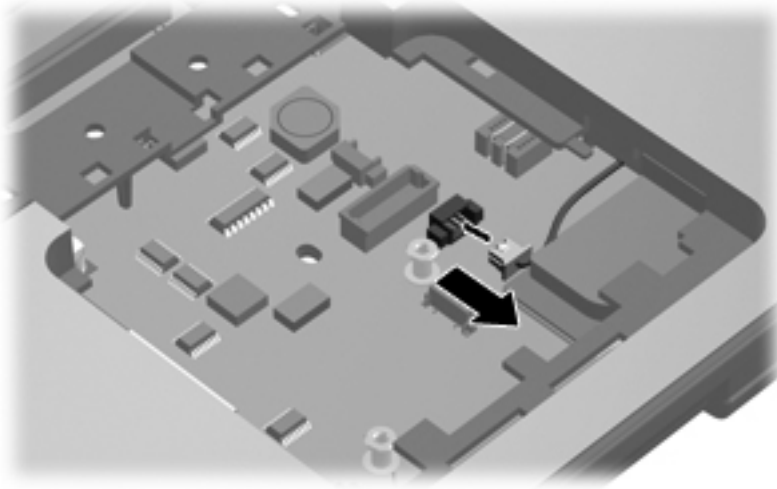
Remove the top cover:

1. Turn the computer upside down, with the front toward you.
2. Remove the fourteen Torx T8M2.5×9.0 screws that secure the top cover to the base enclosure.

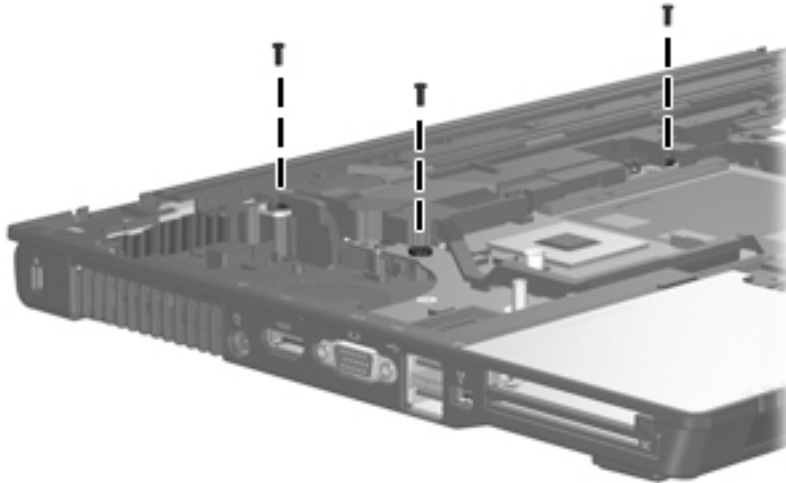


3. Turn the computer right-side up, with the front toward you.

4. Disconnect the fingerprint reader board cable from the system board.

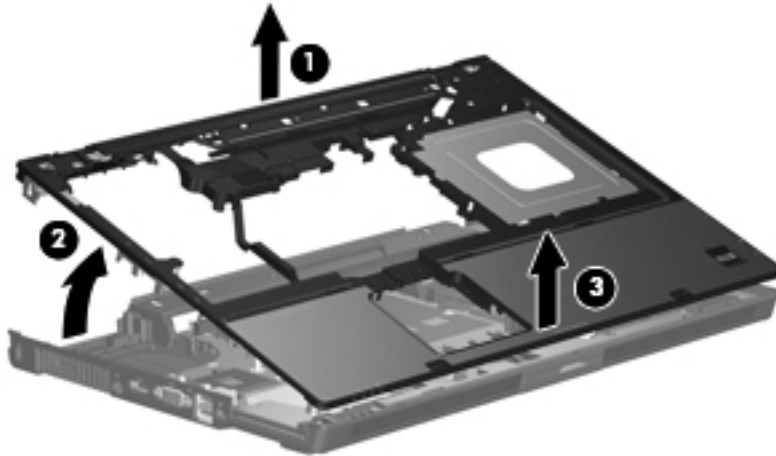


5. Remove the three Torx T8M2.5×7.0 screws that secure the top cover to the computer.



6. Lift the rear edge of the top cover (1) until it rests at an angle.
7. Swing the rear edge of the top cover (2) up and forward until it disengages from the base enclosure.

8. Remove the top cover (3).



Reverse this procedure to install the top cover.

Speaker assembly

Description	Spare part number
Speaker assembly	450592-001

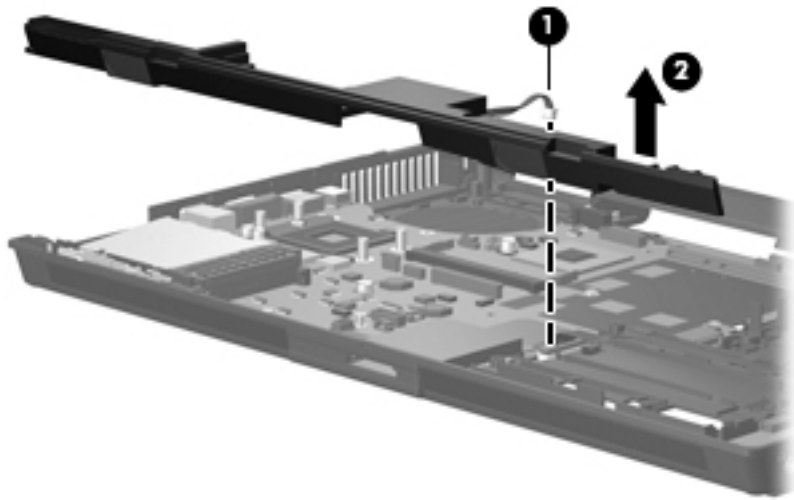
Before removing the speaker assembly, follow these steps:

1. Shut down the computer. If you are unsure whether the computer is off or in Hibernation, turn the computer on, and then shut it down through the operating system.
2. Disconnect all external devices connected to the computer.
3. Disconnect the power from the computer by first unplugging the power cord from the AC outlet and then unplugging the AC adapter from the computer.
4. Remove the following components:
 - a. Battery (see [Battery on page 46](#))
 - b. Keyboard (see [Keyboard on page 62](#))
 - c. Switch cover (see [Switch cover on page 69](#))
 - d. Display assembly (see [Display assembly on page 79](#))
 - e. Top cover (see [Top cover on page 85](#))

Remove the speaker assembly:


1. Disconnect the speaker cable (1) from the system board.

2. Remove the speaker assembly (2) from the base enclosure.



Reverse this procedure to install the speaker assembly.

System board

 **NOTE:** Replacement thermal material is included with all system board spare part kits.

Description	Spare part number
For use only with computer models equipped with processors with 3- or 6-MB L2 cache	468591-001
For use only with computer models equipped with processors with 2- or 4-MB L2 cache	450482-001

Before removing the system board, follow these steps:

1. Shut down the computer. If you are unsure whether the computer is off or in Hibernation, turn the computer on, and then shut it down through the operating system.
2. Disconnect all external devices connected to the computer.
3. Disconnect the power from the computer by first unplugging the power cord from the AC outlet and then unplugging the AC adapter from the computer.
4. Remove the following components:
 - a. Battery (see [Battery on page 46](#))
 - b. Hard drive (see [Hard drive on page 50](#))
 - c. Bluetooth module (see [Bluetooth module on page 53](#))
 - d. Optical drive (see [Optical drive on page 60](#))
 - e. Keyboard (see [Keyboard on page 62](#))
 - f. TouchPad (see [TouchPad on page 66](#))
 - g. Switch cover (see [Switch cover on page 69](#))
 - h. Fan/heat sink assembly (see [Fan/heat sink assembly on page 72](#))
 - i. Graphics card (see [Graphics card on page 74](#))
 - j. Processor heat sink (see [Heat sink on page 76](#))
 - k. Display assembly (see [Display assembly on page 79](#))
 - l. Top cover (see [Top cover on page 85](#))
 - m. Speaker assembly (see [Speaker assembly on page 87](#))

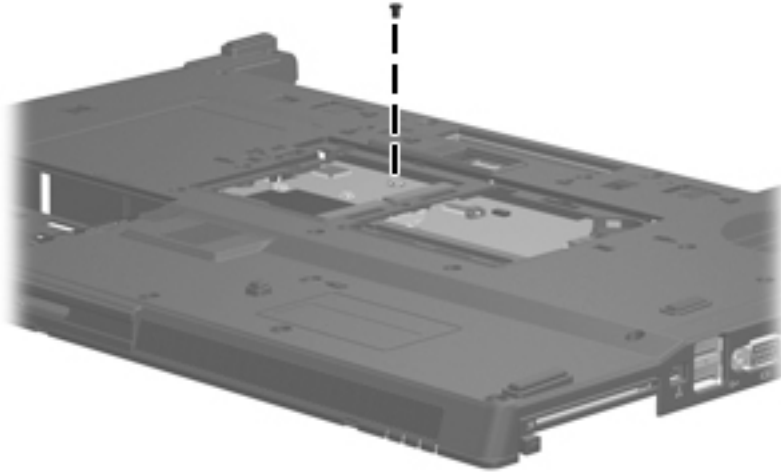
When replacing the system board, be sure that the following components are removed from the defective system board and installed on the replacement system board:

- Memory modules (see [Primary memory module on page 54](#) and [Expansion memory module on page 65](#))
- WLAN module (see [WLAN module on page 56](#))
- RTC battery (see [RTC battery on page 59](#))
- Modem module (see [Modem module on page 68](#))

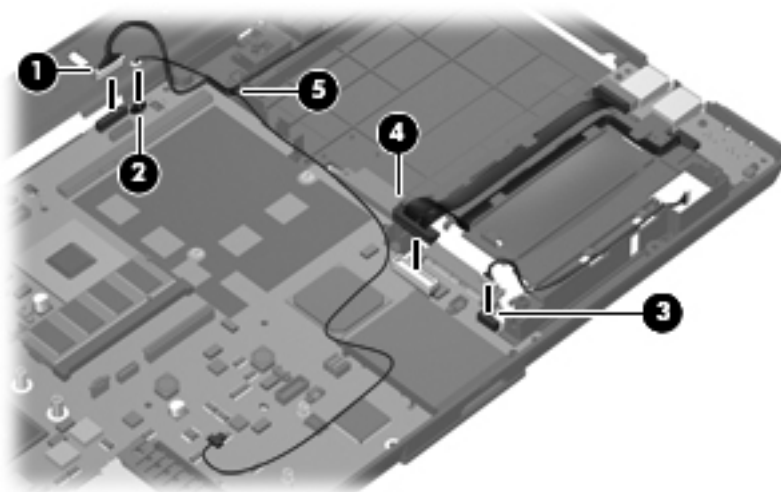
- Processor (see [Processor on page 77](#))
- PC Card assembly (see [PC Card assembly on page 94](#))

Remove the system board:

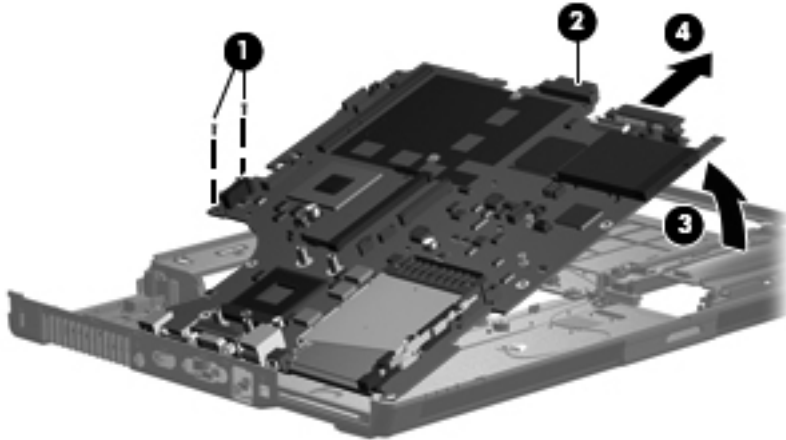
1. Turn the computer upside down, with the front toward you.
2. Remove the Torx T8M2.5×4.0 screw that secures the system board to the base enclosure.



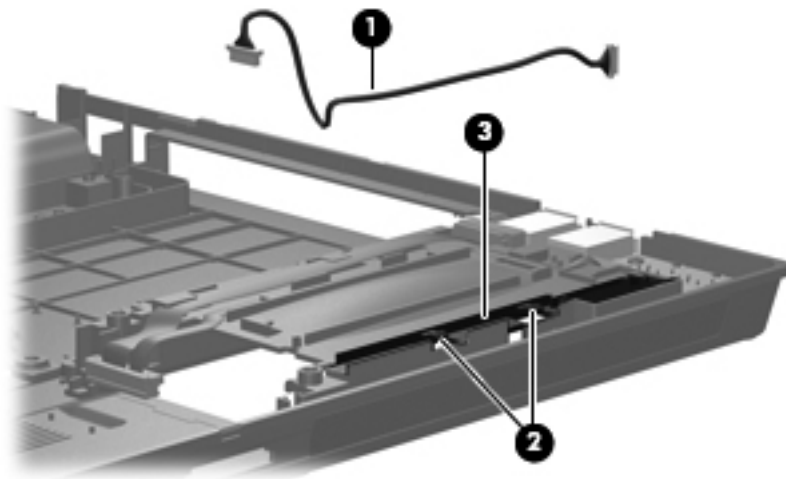
3. Turn the computer right-side up, with the front toward you.
4. Disconnect the following cables from the system board:
 - (1) RJ-45 connector cable
 - (2) Modem module cable
 - (3) Bluetooth module cable
 - (4) USB/audio board cable
5. Remove the modem module cable (5) from the clip in the system board.



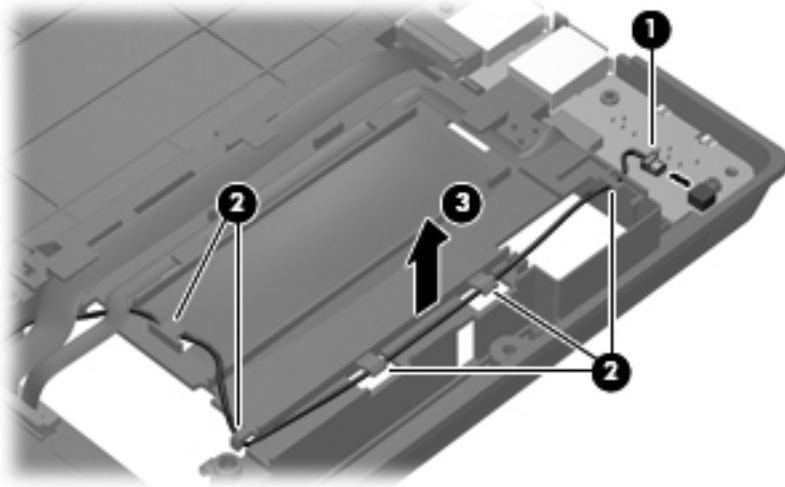
6. Remove the two Torx T8M2.5×7.0 screws (1) that secure the system board to the base enclosure.
7. Use the optical drive connector (2) to lift the right side of the system board (3) until it rests at an angle.
8. Remove the system board (4) by sliding it away from the base enclosure at an angle.



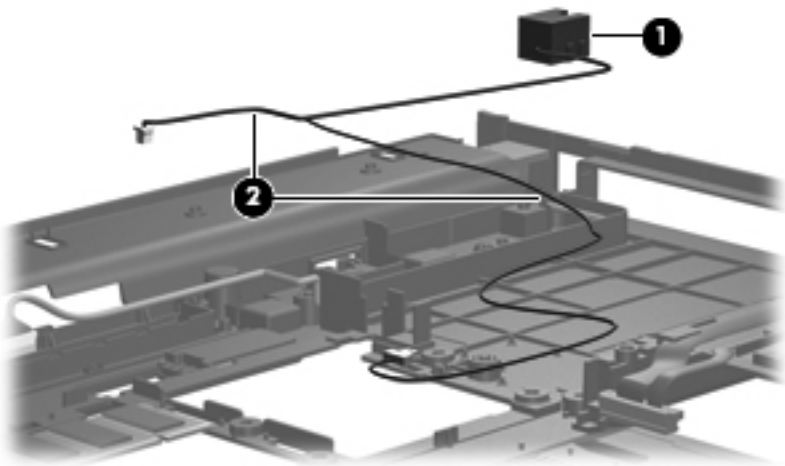
9. If it is necessary to replace the Bluetooth module cable, remove the cable (1) from the clips (2) and (3) built into the base enclosure. The Bluetooth module cable is included in the Cable Kit, spare part number 450486-001.



10. If it is necessary to replace the microphone extension cable, disconnect the cable (1), push the cable from the clips (2), and remove the cable (3). The microphone extension cable is available using spare part number 450578-001.

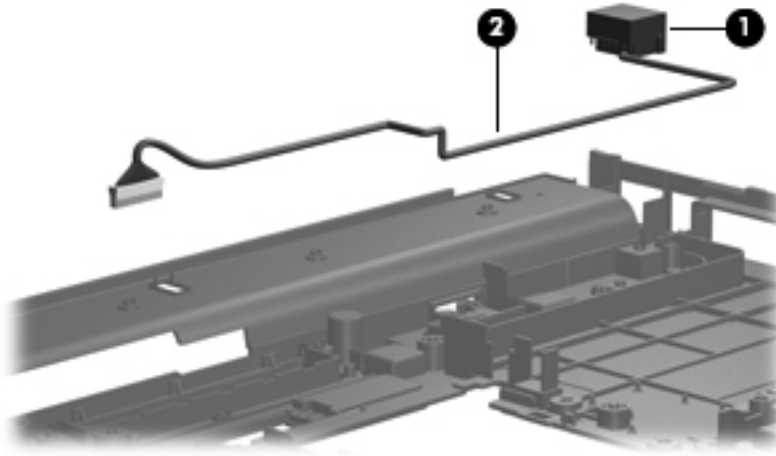


11. If it is necessary to replace the RJ-11 connector cable, remove the RJ-11 connector (1) from the clip built into the base enclosure.
12. Remove the RJ-11 connector cable (2) from the clips and routing channel built into the base enclosure. The RJ-11 connector cable is included in the Cable Kit, spare part number 450486-001.



13. If it is necessary to replace the RJ-45 connector cable, remove the RJ-45 connector (1) from the clip built into the base enclosure. The RJ-45 connector cable is included in the Cable Kit, spare part number 450486-001

14. Remove the RJ-45 connector cable (2) from the clips and routing channel built into the base enclosure.



Reverse the preceding procedure to install the system board, Bluetooth module cable, microphone extension cable, RJ-11 cable, and RJ-45 cable.

USB/audio board

Description	Spare part number
USB/audio board (includes 2-into-1 USB board cable and audio board cable)	450483-001

Before removing the USB/audio board, follow these steps:

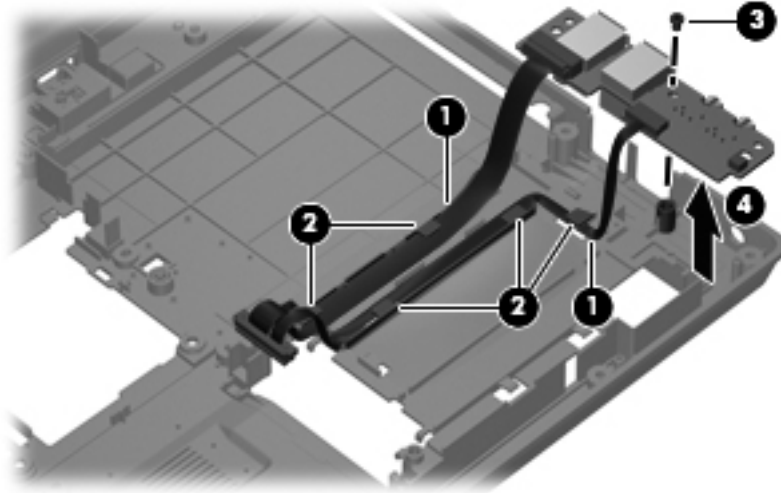
1. Battery (see [Battery on page 46](#))
2. Hard drive (see [Hard drive on page 50](#))
3. Bluetooth module (see [Bluetooth module on page 53](#))
4. Optical drive (see [Optical drive on page 60](#))
5. Keyboard (see [Keyboard on page 62](#))
6. TouchPad (see [TouchPad on page 66](#))
7. Switch cover (see [Switch cover on page 69](#))
8. Fan/heat sink assembly (see [Fan/heat sink assembly on page 72](#))
9. Graphics card (see [Graphics card on page 74](#))
10. Processor heat sink (see [Heat sink on page 76](#))
11. Display assembly (see [Display assembly on page 79](#))
12. Top cover (see [Top cover on page 85](#))

13. Speaker assembly (see [Speaker assembly on page 87](#))

14. System board (see [System board on page 89](#))

Remove the USB/audio board:

1. Remove the USB/audio board cables (1) from the clips (2) built into the base enclosure.
2. Remove the Torx T8M2.5×4.0 screw (3) that secures the USB/audio board to the base enclosure.
3. Lift the left side of the USB/audio board (4) until the USB and audio connectors disengage from the openings in the base enclosure.



4. Remove the USB/audio board and cables from the base enclosure.

Reverse this procedure to install the USB/audio board.

PC Card assembly

Description	Spare part number
PC Card assembly	450584-001

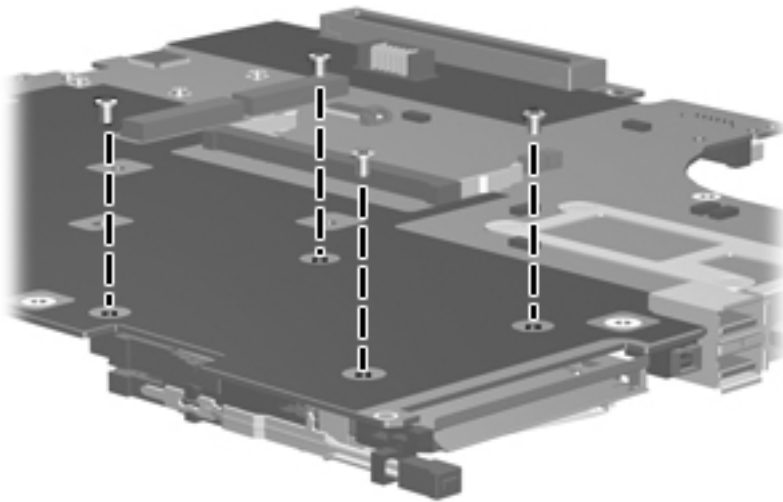
Before removing the PC Card assembly, follow these steps:

1. Battery (see [Battery on page 46](#))
2. Hard drive (see [Hard drive on page 50](#))
3. Bluetooth module (see [Bluetooth module on page 53](#))
4. Optical drive (see [Optical drive on page 60](#))
5. Keyboard (see [Keyboard on page 62](#))
6. TouchPad (see [TouchPad on page 66](#))
7. Switch cover (see [Switch cover on page 69](#))

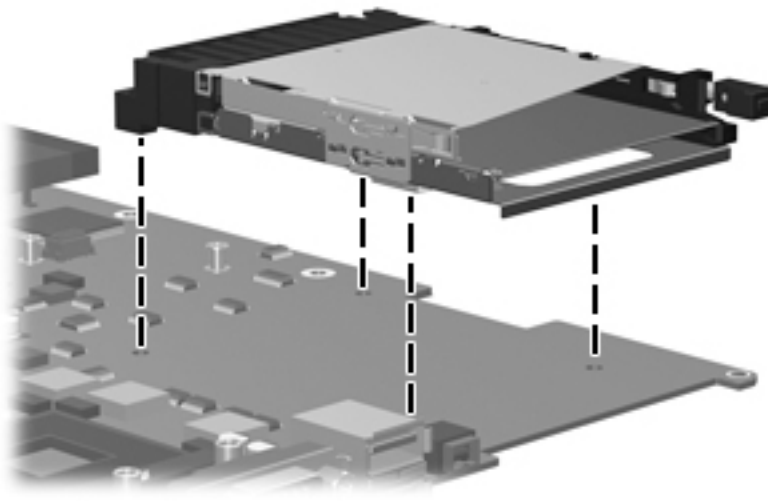
8. Fan/heat sink assembly (see [Fan/heat sink assembly on page 72](#))
9. Graphics card (see [Graphics card on page 74](#))
10. Processor heat sink (see [Heat sink on page 76](#))
11. Display assembly (see [Display assembly on page 79](#))
12. Top cover (see [Top cover on page 85](#))
13. Speaker assembly (see [Speaker assembly on page 87](#))
14. System board (see [System board on page 89](#))

Remove the PC Card assembly:

1. Turn the system board upside down, with the PC Card eject button toward you.
2. Remove the four Phillips PM2.0×4.0 screws that secure the PC Card assembly to the system board.



3. Remove the PC Card assembly from the system board.




Reverse this procedure to install the PC Card assembly.

5 Computer Setup

Starting Computer Setup

Computer Setup is a preinstalled, ROM-based utility that can be used even when the operating system is not working or will not load.

 **NOTE:** Some of the Computer Setup menu items listed in this guide may not be supported by your computer.

NOTE: Pointing devices are not supported in Computer Setup. You must use the keyboard to navigate and make selections.

NOTE: An external keyboard and pointing stick connected by USB can be used with Computer Setup only if USB legacy support is enabled.

To start Computer Setup:

1. Turn on or restart the computer.
2. Before Windows® opens and while the "F10 = ROM Based Setup" message is displayed in the lower-left corner of the screen, press **F10**.

Using Computer Setup

Navigating and selecting in Computer Setup

The information and settings in Computer Setup are accessed from the File, Security, Diagnostics, and System Configuration menus.

1. Open Computer Setup by turning on or restarting the computer, and then pressing **f10** while the "F10 = ROM Based Setup" message is displayed in the lower-left corner of the screen.

Because Computer Setup is not Windows-based, it does not support the TouchPad. Navigation and selection are by keystroke:

- To choose a menu or a menu item, use the arrow keys.
 - To select an item, press **enter**.
 - To close open dialog boxes and return to the main Computer Setup screen, press **esc**.
 - To view navigation information, press **f1**.
 - To change the language, press **f2**.
2. Select the **File**, **Security**, **Diagnostics**, or **System Configuration** menu.
 3. To exit Computer Setup, choose one of the following methods:
 - To exit Computer Setup without saving your preferences, use the arrow keys to select **File > Ignore Changes and Exit**. Then follow the instructions on the screen.
 - To save your preferences and exit Computer Setup, use the arrow keys to select **File > Save Changes and Exit**. Then follow the instructions on the screen.


Your preferences go into effect when the computer restarts.

Restoring factory settings in Computer Setup

To return all settings in Computer Setup to the values that were set at the factory, follow these steps:


1. Open Computer Setup by turning on or restarting the computer, and then pressing **f10** while the "F10 = ROM Based Setup" message is displayed in the lower-left corner of the screen.
2. Use the arrow keys to select **File > Restore** defaults, and then press **enter**.
3. When the confirmation dialog box opens, press **f10**.
4. To save your preferences and exit Computer Setup, use the arrow keys to select **File > Save Changes and Exit**. Then follow the instructions on the screen.

Your preferences go into effect when the computer restarts.

 **NOTE:** Your password settings and security settings are not changed when you restore the factory settings.

Computer Setup menus

The menu tables in this section provide an overview of Computer Setup options.

 **NOTE:** Some of the Computer Setup menu items listed in this chapter may not be supported by your computer.

File menu

Select	To do this
System information	<ul style="list-style-type: none">• View identification information for the computer and the batteries in the system.• View specification information for the processor, cache and memory size, system ROM, video revision, and keyboard and pointing stick controller version.
Restore defaults	Replace the configuration settings in Computer Setup with the original factory settings. (Password settings and security settings are not changed when you restore the factory settings.)
Ignore changes and exit	Cancel any changes entered during the current session. Then exit and restart the computer.
Save changes and exit	Save any changes entered during the current session. Then exit and restart the computer. Your changes go into effect when the computer restarts.


Security menu

Select	To do this
Setup password	Enter, change, or delete a setup password.
Power-On password	Enter, change, or delete a power-on password.
Password options	<ul style="list-style-type: none">• Enable/disable stringent security.• Enable/disable password requirement on computer restart.
DriveLock passwords	<ul style="list-style-type: none">• Enable/disable DriveLock on any computer hard drive.• Change a DriveLock user password or master password. <p>NOTE: DriveLock settings are accessible only when you enter Computer Setup by turning on (not restarting) the computer.</p>
Smart Card security	Enable/disable support for smart card and Java™ Card power-on authentication. <p>NOTE: Power-on authentication for smart cards is supported only on computers with optional smart card readers.</p> <p>NOTE: You must have an administrator password to change this setting.</p>
TPM Embedded Security	Enable/disable support for Trusted Platform Module (TPM) Embedded Security, which protects the computer from unauthorized access to owner functions available in Embedded Security for ProtectTools. For more information, refer to the ProtectTools software Help. <p>NOTE: You must have a setup password to change this setting.</p>
System IDs	Enter user-defined and pointing stick computer asset tracking number and ownership tag.
Disk Sanitizer	Run Disk Sanitizer to destroy all existing data on the primary hard drive. The following options are available: <ul style="list-style-type: none">• Fast: Runs the Disk Sanitizer erase cycle once.• Optimum: Runs the Disk Sanitizer erase cycle 3 times.• Custom: Allows you to select the desired number of Disk Sanitizer erase cycles from a list. <p>CAUTION: If you run Disk Sanitizer, the data on the primary hard drive is destroyed permanently.</p>

Diagnostics menu

Select	To do this
Hard Drive Self-Test options	Run a comprehensive self-test on any hard drive in the system.
Memory Check	Run a comprehensive check on system memory.
Startup Check (select models only)	Verify the system components needed for starting the computer.

System Configuration menu

 **NOTE:** Some of the listed System Configuration options may not be supported by your computer.

Select	To do this
Language (or press f2)	Change the Computer Setup language.
Boot options	<ul style="list-style-type: none">• Set f9, f10, and f12 delay when starting up.• Enable/disable CD-ROM boot.• Enable/disable floppy boot.• Enable/disable internal network adapter boot and set the boot mode (PXE or RPL).• Enable/disable MultiBoot, which sets a boot order that can include most boot devices in the system.• Set the Express Boot Popup delay in seconds.• Set the boot order.
Device configurations	<ul style="list-style-type: none">• Swap the functions of the fn key and left ctrl key.• Enable/disable multiple standard pointing devices at startup. (To set the computer to support only a single, usually nonstandard, pointing device at startup, select Disable.)• Enable/disable USB legacy support. When enabled, USB legacy support allows the following:<ul style="list-style-type: none">◦ Use of a USB keyboard, mouse, and hub in Computer Setup even when a Windows operating system is not running.◦ Startup from bootable USB devices, including a hard drive, diskette drive, or optical drive connected by a USB port to the computer or to an optional docking device (select models only).• Select a parallel port mode: EPP (Enhanced Parallel Port), standard, bidirectional, or ECP (Enhanced Capabilities Port).• Enable/disable BIOS DMA data transfers.• Enable/disable fan always on while connected to an AC outlet.• Enable/disable Intel® Data Execution Prevention or AMD® PSAE Execution Disable. When enabled, the processor can disable some virus code execution, which helps to improve computer security.• Enable/disable LAN Power Save. When enabled, saves power by turning off the LAN when not in use.• Enable/disable SATA Native Mode.• Enable/disable Dual Core CPU.• Enable/disable Secondary Battery Fast Charge.• Choose Bit-shift or LBA assisted HDD Translation Mode.• Enable/disable Windows direct application launcher.• Enable/disable HP Lockout.

Select	To do this
Built-In Device Options	<ul style="list-style-type: none">• Enable/disable embedded WWAN Device Radio.• Enable/disable embedded WLAN Device Radio.• Enable/disable embedded Bluetooth® Device Radio.• Enable/disable LAN/WLAN Switching. When enabled, switches to a WLAN when a LAN is either unavailable or disconnected.• Enable/disable Wake on LAN from Off.• Enable/disable the ambient light sensor.
Port Options	<ul style="list-style-type: none">• Enable/disable the serial port.• Enable/disable the parallel port.• Enable/disable the flash media reader.• Enable/disable the USB port. CAUTION: Disabling the USB port also disables MultiBay II devices and ExpressCard devices on the advanced port replicator.• Enable/disable the 1394 port.• Enable/disable the cardbus slot.• Enable/disable the ExpressCard slot.• Enable/disable the infrared port.• Enable/disable the optical disk drive.• Enable/disable the network controller.

6 Specifications

Computer specifications

	Metric	U.S.
Dimensions		
Length	27.5 cm	10.8 in
Width	39.3 cm	15.5 in
Height (front to rear)	3.3 to 3.9 cm	1.3 to 1.5 in
Weight (equipped with 8-cell battery, 80-GB/5400-rpm hard drive, optical drive, one 1024-MB memory module, WLAN module, pointing stick, TouchPad, and nVidia GM84 graphics card; varies by configuration)	3.4 kg	7.5 lbs
Input power		
Operating voltage	19.0 V dc @ 4.74 A – 120 W	
Operating current	4.74 A	
Temperature		
Operating (not writing to optical disc)	0°C to 35°C	32°F to 95°F
Operating (writing to optical disc)	5°C to 35°C	41°F to 95°F
Nonoperating	-20°C to 60°C	-4°F to 140°F
Relative humidity		
Operating	10% to 90%	
Nonoperating	5% to 95%	
Maximum altitude (unpressurized)		
Operating (14.7 to 10.1 psia)	-15 m to 3,048 m	-50 ft to 10,000 ft
Nonoperating (14.7 to 4.4 psia)	-15 m to 12,192 m	-50 ft to 40,000 ft
Shock		
Operating	125 g, 2 ms, half-sine	
Nonoperating	200 g, 2 ms, half-sine	
Random vibration		
Operating	0.75 g zero-to-peak, 10 Hz to 500 Hz, 0.25 oct/min sweep rate	

	Metric	U.S.
Nonoperating	1.50 g zero-to-peak, 10 Hz to 500 Hz, 0.5 oct/min sweep rate	

NOTE: Applicable product safety standards specify thermal limits for plastic surfaces. The computer operates well within this range of temperatures.

17.0-inch, WUXGA+WVA display specifications

	Metric	U.S.
Dimensions		
Height	24.4 cm	9.65 in
Width	38.1 cm	15.0 in
Diagonal	43.2 cm	17.0 in
Number of colors	Up to 16.8 million	
Contrast ratio	200:1 (typical)	
Brightness	180 nits (typical)	
Pixel resolution		
Pitch	0.172 × 0.172 mm	
Format	1920 × 1200	
Configuration	RGB vertical stripe	
Backlight	CCFT	
Character display	80 × 25	
Total power consumption	6.0 W	
Viewing angle	+/-65 horizontal, +/-50° vertical (typical)	

17.0-inch, WSXGA+WVA display specifications

	Metric	U.S.
Dimensions		
Height	24.4 cm	9.6 in
Width	38.1 cm	15.0 in
Diagonal	43.2 cm	17.0 in
Number of colors	Up to 16.8 million	
Contrast ratio	200:1 (typical)	
Brightness	180 nits (typical)	
Pixel resolution		
Pitch	0.172 × 0.172 mm	
Format	1680 × 1050	
Configuration	RGB vertical stripe	
Backlight	CCFT	
Character display	80 × 25	
Total power consumption	7.0 W	
Viewing angle	+/-60 horizontal, +40/-50° vertical (typical)	

17.0-inch, WXGA+WVA display specifications

	Metric	U.S.
Dimensions		
Height	24.4 cm	9.6 in
Width	38.1 cm	15.0 in
Diagonal	43.2 cm	17.0 in
Number of colors	Up to 16.8 million	
Contrast ratio	200:1 (typical)	
Brightness	180 nits (typical)	
Pixel resolution		
Pitch	0.259 × 0.259 mm	
Format	1440× 900	
Configuration	RGB vertical stripe	
Backlight	CCFT	
Character display	80 × 25	
Total power consumption	6.5 W	
Viewing angle	+/-45° horizontal, +15/-35° vertical (typical)	

Hard drive specifications

	250-GB*	200-GB*	160-GB*	120-GB*	100-GB*	80-GB*
Dimensions						
Height	9.5 mm	9.5 mm	9.5 mm	9.5 mm	9.5 mm	9.5 mm
Width	70 mm	70 mm	70 mm	70 mm	70 mm	70 mm
Weight	101 g	101 g	101 g	101 g	101 g	101 g
Interface type	SATA	SATA	SATA	SATA	SATA	SATA
Transfer rate	100 MB/sec	100 MB/sec	100 MB/sec	100 MB/sec	100 MB/sec	100 MB/sec
Security	ATA security	ATA security	ATA security	ATA security	ATA security	ATA security
Seek times (typical read, including setting)						
Single track	3 ms	3 ms	3 ms	3 ms	3 ms	3 ms
Average	13 ms	13 ms	13 ms	13 ms	13 ms	13 ms
Maximum	24 ms	24 ms	24 ms	24 ms	24 ms	24 ms
Logical blocks	488,376,120	390,700,080	312,560,340	234,420,480	195,350,400	156,280,320
Disk rotational speed	5400 rpm	7200 and 5400 rpm	7200 and 5400 rpm	7200 and 5400 rpm	7200 and 5400 rpm	7200 and 5400 rpm
Operating temperature	5°C to 55°C (41°F to 131°F)					
*1 GB = 1 billion bytes when referring to hard drive storage capacity. Actual accessible capacity is less. Actual drive specifications may differ slightly.						
NOTE: Certain restrictions and exclusions apply. Contact technical support for details.						

DVD±RW and CD-RW Double-Layer Combo Drive specifications

Applicable disc	Read:	Write:
	CD-DA, CD+(E)G, CD-MIDI, CD-TEXT, CD-ROM, CD-ROM XA, MIXED MODE CD, CD-I, CD-I Bridge (Photo-CD, Video CD), Multisession CD (Photo-CD, CD-EXTRA, Portfolio, CD-R, CD-RW), CD-R, CD-RW, DVD-ROM (DVD-5, DVD-9, DVD-10, DVD-18), DVD-R, DVD-RW, DVD+R, DVD+RW, DVD-RAM	CD-R and CD-RW DVD+R, DVD+RW, DVD-R, DVD-RW, DVD-RAM
Center hole diameter	1.5 cm (0.59 in)	
Disc diameter		
Standard disc	12 cm (4.72 in)	
Mini disc	8 cm (3.15 in)	
Disc thickness	1.2 mm (0.047 in)	
Track pitch	0.74 μm	
Access time	CD	DVD
Random	< 175 ms	< 230 ms
Full stroke	< 285 ms	< 335 ms
Audio output level	Line-out, 0.7 Vrms	
Cache buffer	2 MB	
Data transfer rate		
24X CD-ROM	3,600 KB/sec	
8X DVD-ROM	10,800 KB/sec	
24X CD-R	3,600 KB/sec	
16X CD-RW	2,400 KB/sec	
8X DVD+R	10,800 KB/sec	
4X DVD+RW	5,400 KB/sec	
8X DVD-R	10,800 KB/sec	
4X DVD-RW	5,400 KB/sec	
2.4X DVD+R(9)	2,700 KB/sec	
5X DVD-RAM	6,750 KB/sec	
Transfer mode	Multiword DMA Mode	
Startup time	< 15 seconds	
Stop time	< 6 seconds	

DVD/CD-RW Combo Drive specifications

Applicable disc	Read: CD-DA, CD+(E)G, CD-MIDI, CD-TEXT, CD-ROM, CD-ROM XA, MIXED MODE CD, CD-I, CD-I Bridge (Photo-CD, Video CD), Multisession CD (Photo-CD, CD-EXTRA, Portfolio, CD-R, CD-RW), CD-R, CD-RW, DVD-ROM (DVD-5, DVD-9, DVD-10, DVD-18), DVD-R, DVD-RW, DVD+R, DVD+RW, DVD-RAM	Write: CD-R and CD-RW
Center hole diameter	1.5 cm (0.59 in)	
Disc diameter		
Standard disc	12 cm (4.72 in)	
Mini disc	8 cm (3.15 in)	
Disc thickness	1.2 mm (0.047 in)	
Track pitch	0.74 μ m	
Access time	CD	DVD
Random	< 110 ms	< 130 ms
Full stroke	< 210 ms	< 225 ms
Audio output level	Line-out, 0.7 Vrms	
Cache buffer	2 MB	
Data transfer rate		
24X CD-ROM	3,600 KB/sec	
8X DVD	3,600 KB/sec	
24X CD-R	3,600 KB/sec	
24X CD-RW	3,600 KB/sec	
Transfer mode	Multiword DMA mode 2	
Startup time	< 15 seconds	
Stop time	< 6 seconds	

DVD-ROM Drive

Applicable disc	DVD-ROM (DVD-5, DVD-9, DVD-10, DVD-18, CD-ROM (Mode 1 and 2), CD Digital Audio, CD-XA ready (Mode 2, Form 1 and Form 2), CD-I (Mode 2, Form 1 and Form 2), CD-R, CD-RW, Photo CD (single and multisession), CD-Bridge	
Center hole diameter	1.5 cm (0.59 in)	
Disc diameter		
Standard disc	12 cm (4.72 in)	
Mini disc	8 cm (3.15 in)	
Disc thickness	1.2 mm (0.047 in)	
Track pitch	0.74 μ m	
Access time	CD	DVD
Random	< 100 ms	< 125 ms
Full stroke	< 175 ms	< 225 ms
Audio output level	Line-out, 0.7 Vrms	
Cache buffer	512 KB	
Data transfer rate		
CD-R (24X)	3600 KB/s (150 KB/s at 1X CD rate)	
CD-RW (10X)	1500 KB/s (150 KB/s at 1X CD rate)	
CD-ROM (24X)	3600 KB/s (150 KB/s at 1X CD rate)	
DVD (8X)	10,800 KB/s (1,352 KB/s at 1X DVD rate)	
Multiword DMA mode 2	16.6 MB/s	
Startup time	< 10 seconds	
Stop time	< 3 seconds	

System DMA specifications

Hardware DMA	System function
DMA0	Not applicable
DMA1*	Not applicable
DMA2*	Not applicable
DMA3	Not applicable
DMA4	Direct memory access controller
DMA5*	Available for PC Card
DMA6	Not assigned
DMA7	Not assigned

*PC Card controller can use DMA 1, 2, or 5.

System memory map specifications

Size	Memory address	System function
640 KB	00000000-0009FFFF	Base memory
128 KB	000A0000-000BFFFF	Video memory
48 KB	000C0000-000CBFFF	Video BIOS
160 KB	000C8000-000E7FFF	Unused
64 KB	000E8000-000FFFFFF	System BIOS
15 MB	00100000-00FFFFFF	Extended memory
58 MB	04800000-07FFFFFF	Super extended memory
58 MB	04800000-07FFFFFF	Unused
2 MB	08000000-080FFFFFF	Video memory (direct access)
4 GB	08200000-FFFFFF	Unused
64 KB	FFFF0000-FFFFFFFF	System BIOS

System interrupt specifications

Hardware IRQ	System function
IRQ0	System timer
IRQ1	Standard 101-/102-Key or Microsoft® Natural Keyboard
IRQ2	Cascaded
IRQ3	Intel 82801DB/DBM USB2 Enhanced Host Controller—24CD
IRQ4	COM1
IRQ5*	Conexant AC—Link Audio Intel 82801DB/DBM SMBus Controller—24C3 Data Fax Modem with SmartCP
IRQ6	Diskette drive
IRQ7*	Parallel port
IRQ8	System CMOS/real-time clock
IRQ9*	Microsoft ACPI-compliant system
IRQ10*	Intel USB UHCI controller—24C2 Intel 82852/82855 GM/GME Graphic Controller Realtek RTL8139 Family PCI Fast Ethernet Controller
IRQ11	Intel USB EHCI controller—24CD Intel USB UHCI controller—24C4 Intel USB UHCI controller—24C7 Intel Pro/Wireless 2200BG TI OHCI 1394 host controller TI PCI1410 CardBus controller
IRQ12	Synaptics PS/2 TouchPad
IRQ13	Numeric data processor
IRQ14	Primary IDE channel
IRQ15	Secondary IDE channel

*Default configuration; audio possible configurations are IRQ5, IRQ7, IRQ9, IRQ10, or none.

NOTE: PC Cards may assert IRQ3, IRQ4, IRQ5, IRQ7, IRQ9, IRQ10, IRQ11, or IRQ15. Either the infrared or the serial port may assert IRQ3 or IRQ4.

System I/O address specifications

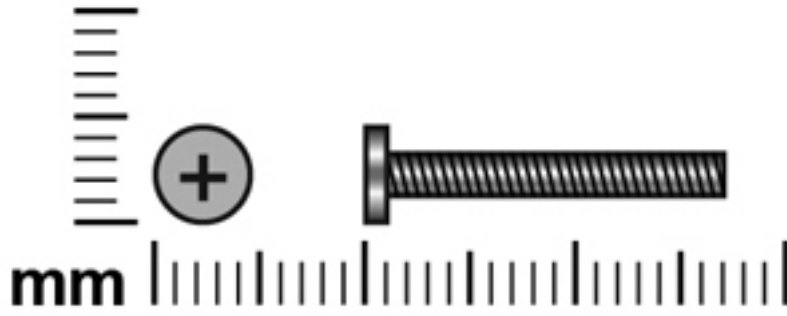
I/O address (hex)	System function (shipping configuration)
000 - 00F	DMA controller no. 1
010 - 01F	Unused
020 - 021	Interrupt controller no. 1
022 - 024	Opti chipset configuration registers
025 - 03F	Unused
02E - 02F	87334 "Super I/O" configuration for CPU
040 - 05F	Counter/timer registers
044 - 05F	Unused
060	Keyboard controller
061	Port B
062 - 063	Unused
064	Keyboard controller
065 - 06F	Unused
070 - 071	NMI enable/RTC
072 - 07F	Unused
080 - 08F	DMA page registers
090 - 091	Unused
092	Port A
093 - 09F	Unused
0A0 - 0A1	Interrupt controller no. 2
I/O Address (hex)	System Function (shipping configuration)
0A2 - 0BF	Unused
0C0 - 0DF	DMA controller no. 2
0E0 - 0EF	Unused
0F0 - 0F1	Coprocessor busy clear/reset
0F2 - 0FF	Unused
100 - 16F	Unused
170 - 177	Secondary fixed disk controller
178 - 1EF	Unused
1F0 - 1F7	Primary fixed disk controller
1F8 - 200	Unused
201	JoyStick (decoded in ESS1688)
202 - 21F	Unused

I/O address (hex)	System function (shipping configuration)
220 - 22F	Entertainment audio
230 - 26D	Unused
26E - 26	Unused
278 - 27F	Unused
280 - 2AB	Unused
2A0 - 2A7	Unused
2A8 - 2E7	Unused
2E8 - 2EF	Reserved serial port
2F0 - 2F7	Unused
2F8 - 2FF	Infrared port
300 - 31F	Unused
320 - 36F	Unused
370 - 377	Secondary diskette drive controller
378 - 37F	Parallel port (LPT1/default)
380 - 387	Unused
388 - 38B	FM synthesizer—OPL3
38C - 3AF	Unused
3B0 - 3BB	VGA
3BC - 3BF	Reserved (parallel port/no EPP support)
3C0 - 3DF	VGA
3E0 - 3E1	PC Card controller in CPU
3E2 - 3E3	Unused
3E8 - 3EF	Internal modem
3F0 - 3F7	"A" diskette controller
3F8 - 3FF	Serial port (COM1/default)
CF8 - CFB	PCI configuration index register (PCIDIVO-1)
CFC - CFF	PCI configuration data register (PCIDIVO-1)

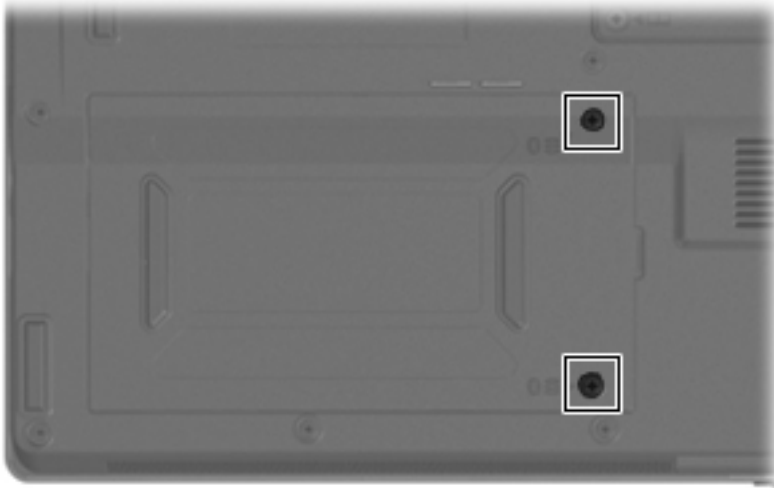
7 Screw listing

This section provides specification and reference information for the screws and screw locks used in the computer. All screws listed in this section are available in the Screw Kit, spare part number 450591-001, and the Display Screw Kit, spare part number 450574-001.

Phillips PM2.0×17.0 captive screw

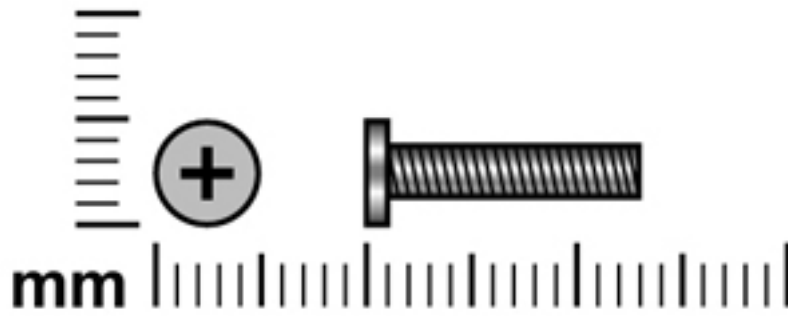


Color	Quantity	Length	Thread	Head diameter
Black	2	17.0 mm	2.0 mm	5.0 mm

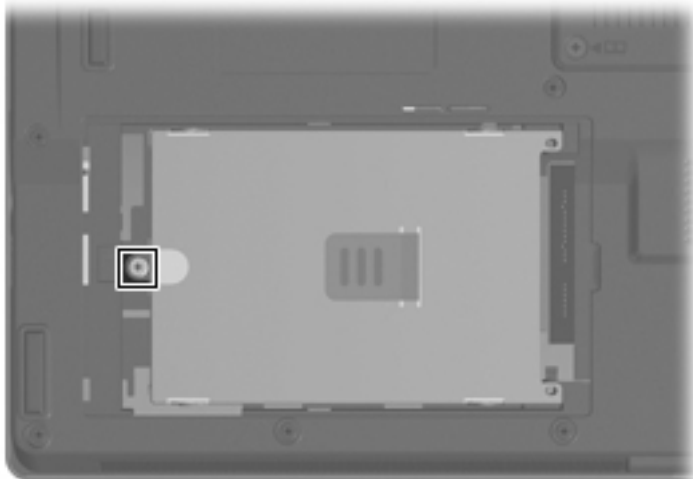


Where used: 2 captive screws that secure the hard drive cover to the computer (screws are captured on the cover by C-clips)

Phillips PM2.5×13.0 captive screw

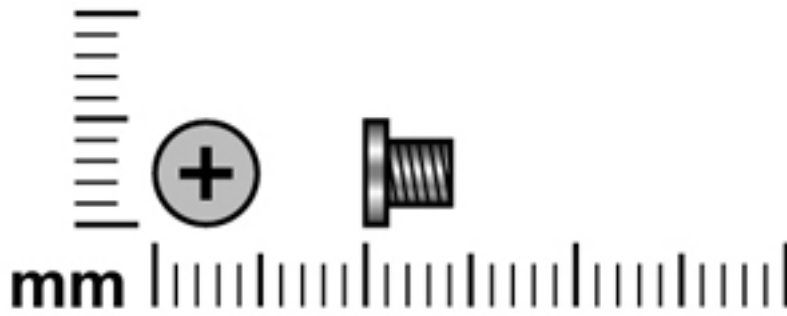


Color	Quantity	Length	Thread	Head diameter
Black	1	13.0 mm	2.5 mm	5.0 mm

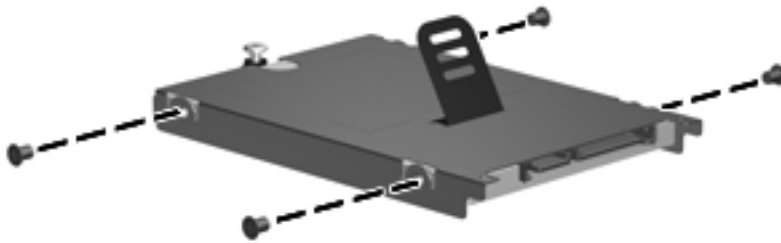


Where used: One captive screw that secures the hard drive to the computer (screw is captured on the hard drive bracket)

Phillips PM3.0×4.0 screw

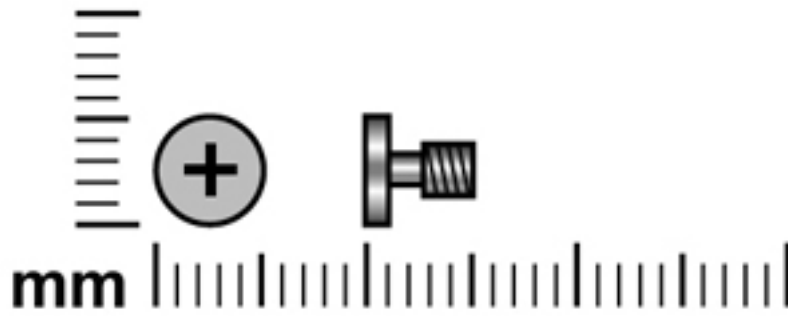


Color	Quantity	Length	Thread	Head diameter
Black	4	4.0 mm	3.0 mm	5.0 mm

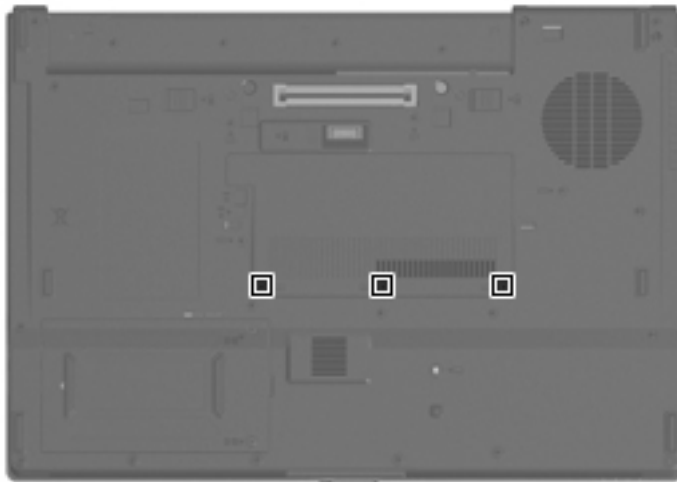


Where used: 4 screws that secure the hard drive bracket to the hard drive

Phillips PM2.5×5.0 captive screw

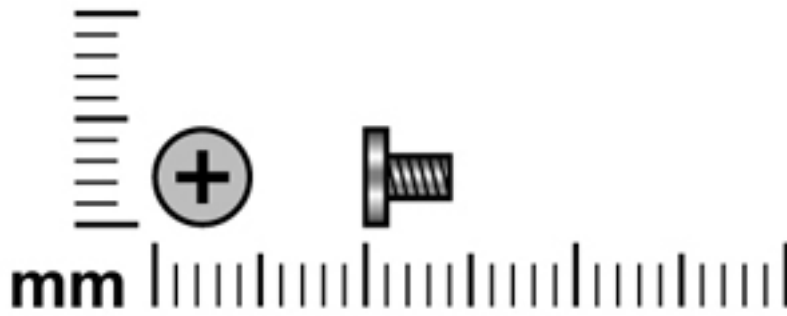


Color	Quantity	Length	Thread	Head diameter
Black	3	5.0 mm	2.5 mm	5.0 mm

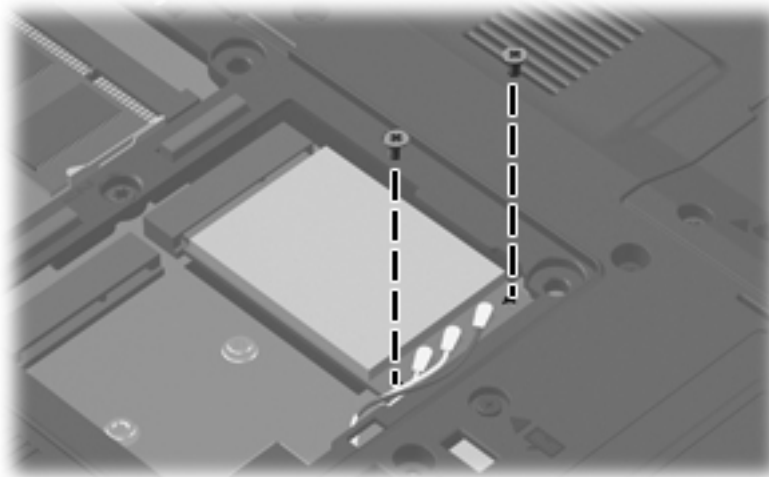


Where used: 3 captive screws that secure the memory module/WLAN module compartment cover to the computer (screws are captured on the cover by C-clips)

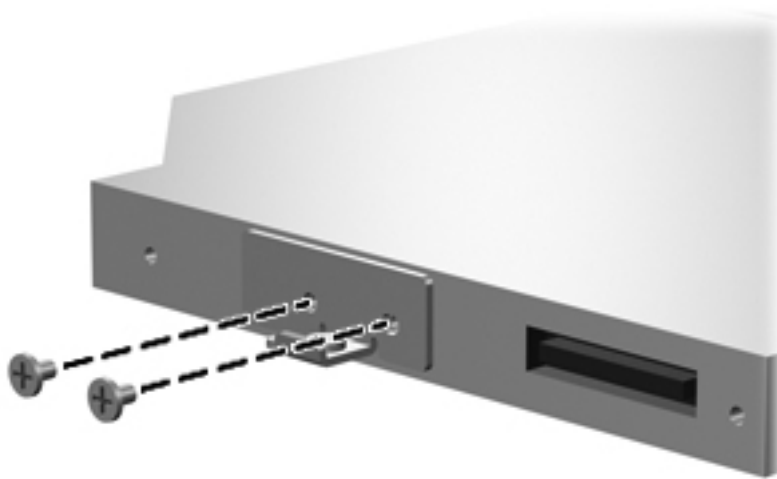
Phillips PM2.0×4.0 screw



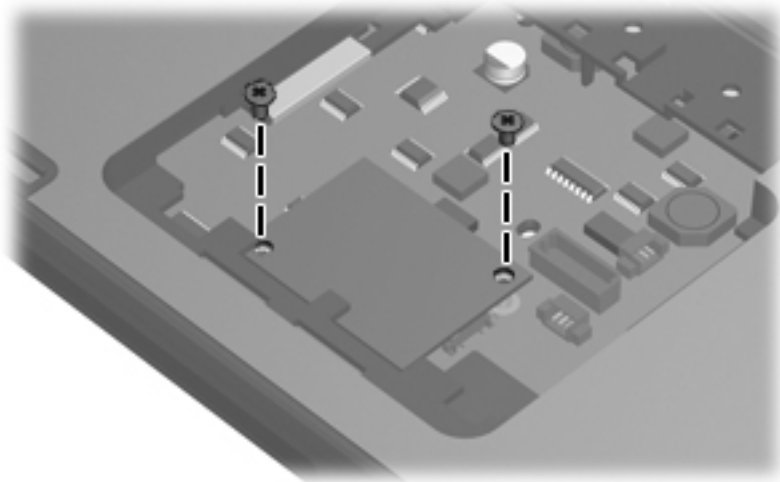
Color	Quantity	Length	Thread	Head diameter
Silver	18	4.0 mm	2.0 mm	4.5 mm



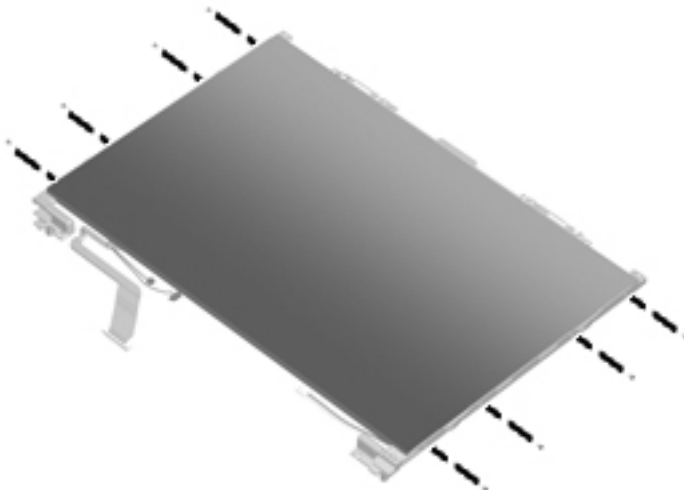
Where used: 2 screws that secure the WLAN module to the system board



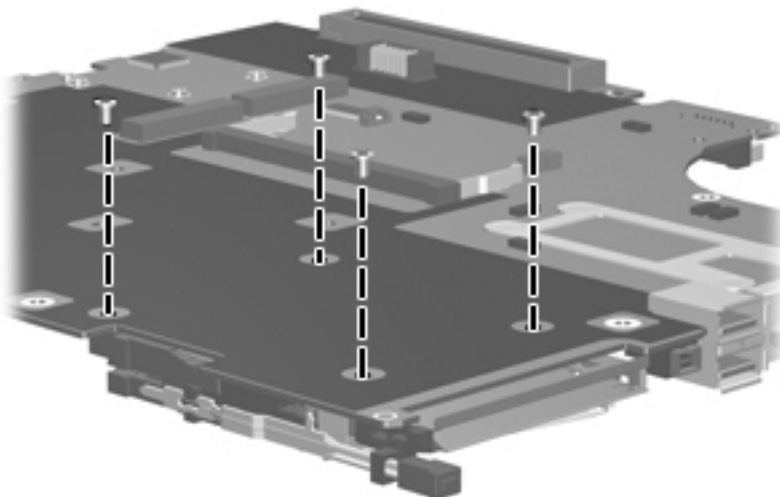
Where used: 2 screws that secure the optical drive bracket to the optical drive



Where used: 2 screws that secure the modem module to the system board

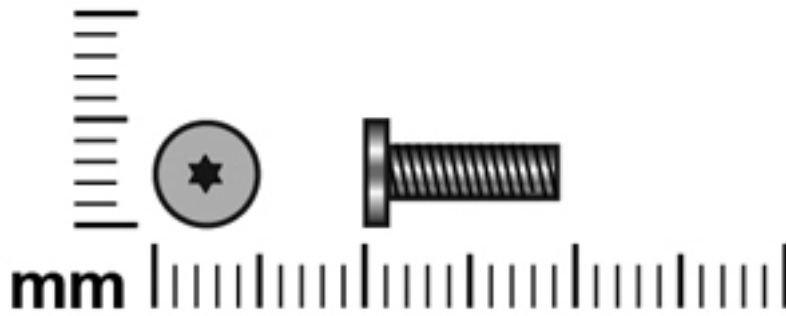


Where used: 8 screws that secure the display hinges to the display panel

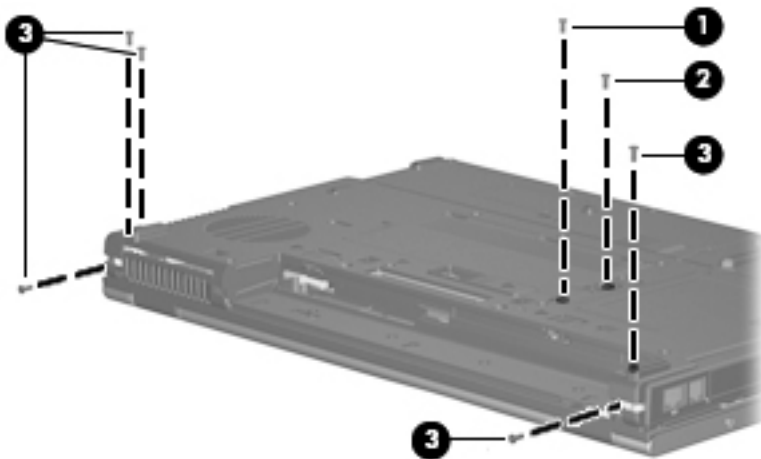


Where used: 4 screws that secure the PC Card assembly to the system board

Torx TM2.5×9.0 screw

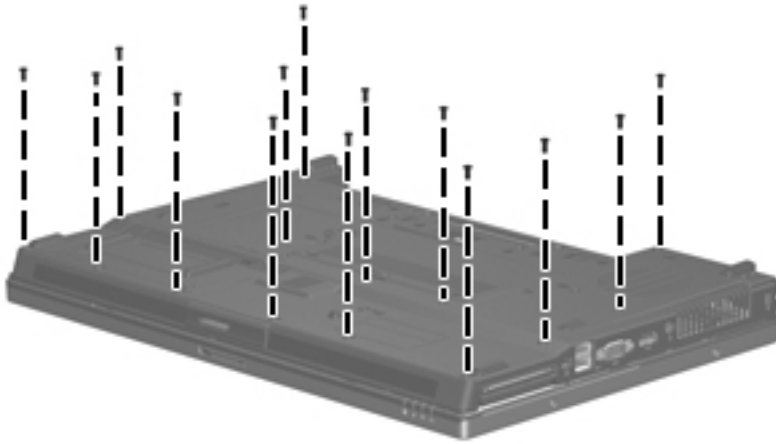


Color	Quantity	Length	Thread	Head diameter
Black	21	9.0 mm	2.5 mm	5.0 mm



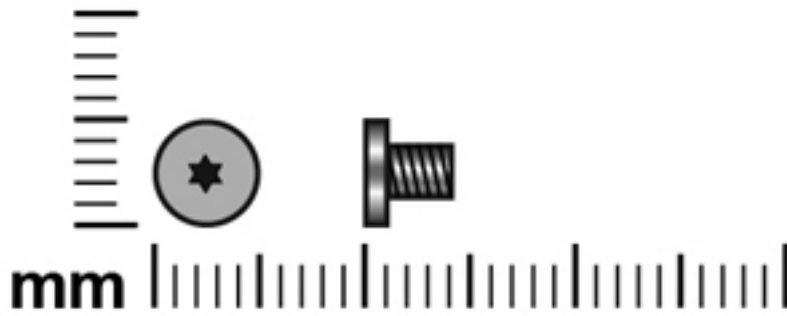
Where used:

- (1) One screw that secures the optical drive to the computer
- (2) One screw that secures the TouchPad to the computer
- (3) Five screws that secure the display assembly to the computer

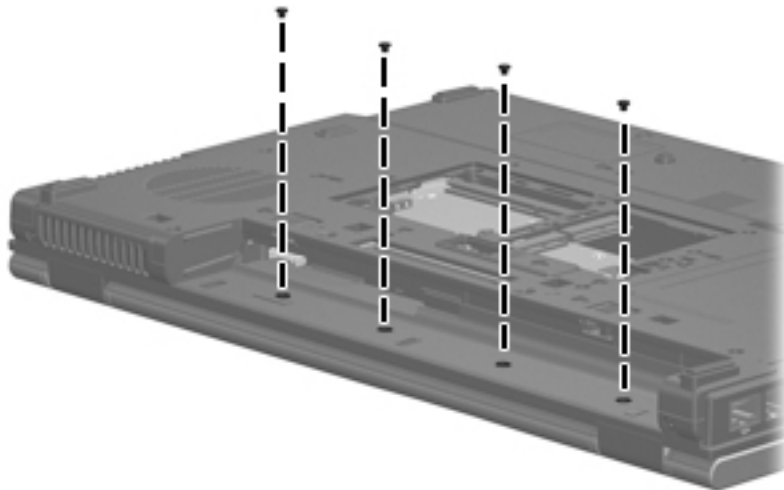


Where used: 14 screws that secure the top cover to the computer

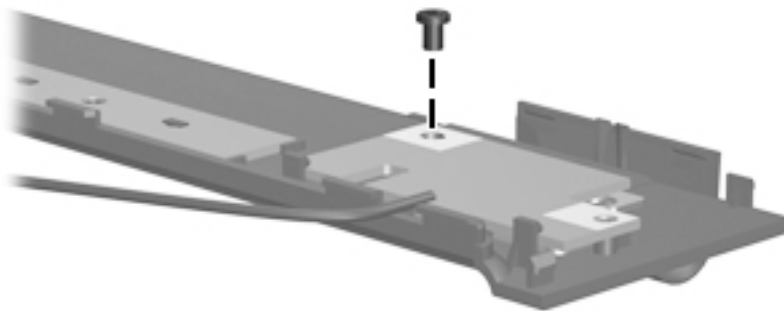
Torx TM2.5×4.0 screw



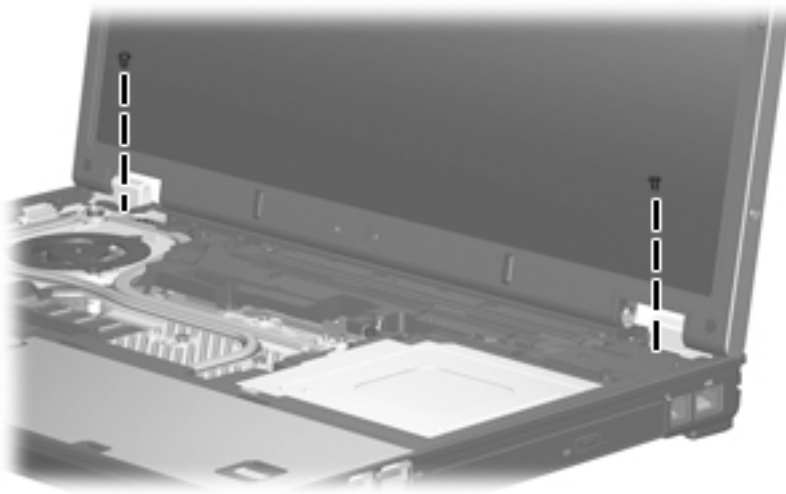
Color	Quantity	Length	Thread	Head diameter
Black	16	4.0 mm	2.5 mm	4.5 mm



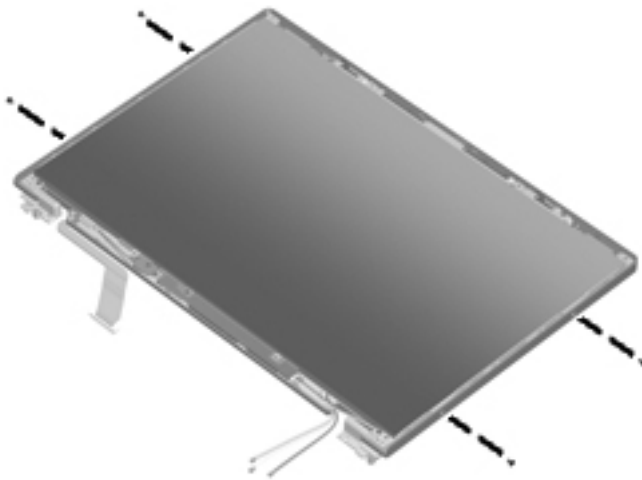
Where used: 4 screws that secure the switch cover to the base enclosure



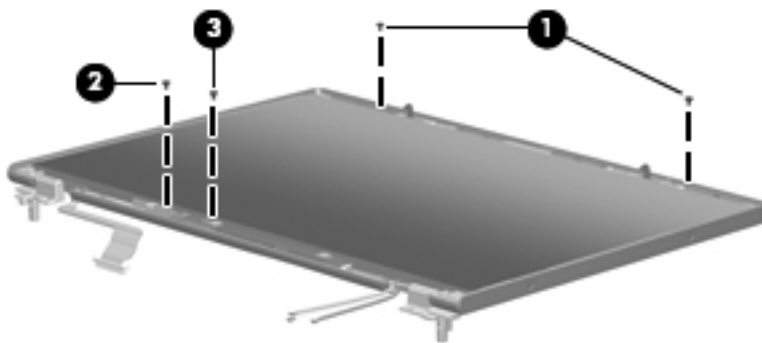
Where used: One screw that secures the power button board to the switch cover



Where used: 2 screws that secure the display assembly to the computer

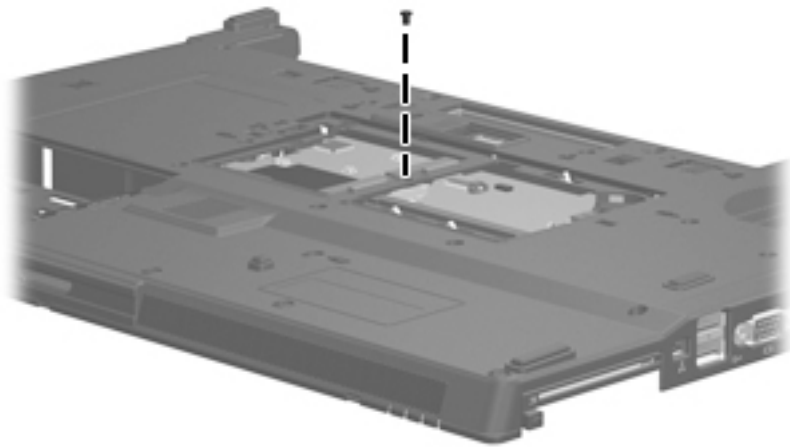


Where used: 4 screws that secure the display panel to the display enclosure



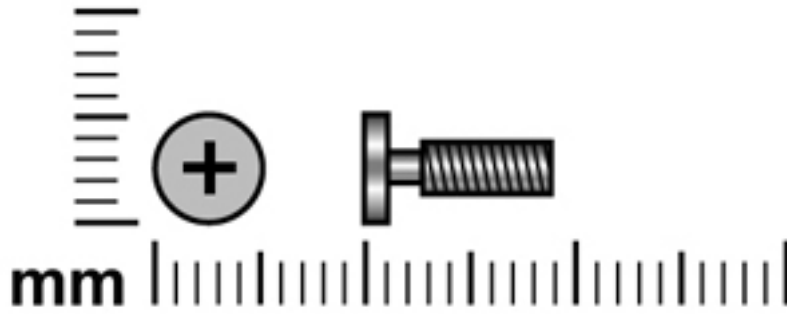
Where used:

- (1) Two screws that secure the display panel to the display enclosure
- (2) One screw that secures the ambient light sensor to the display enclosure
- (3) One screw that secures the display inverter to the display enclosure

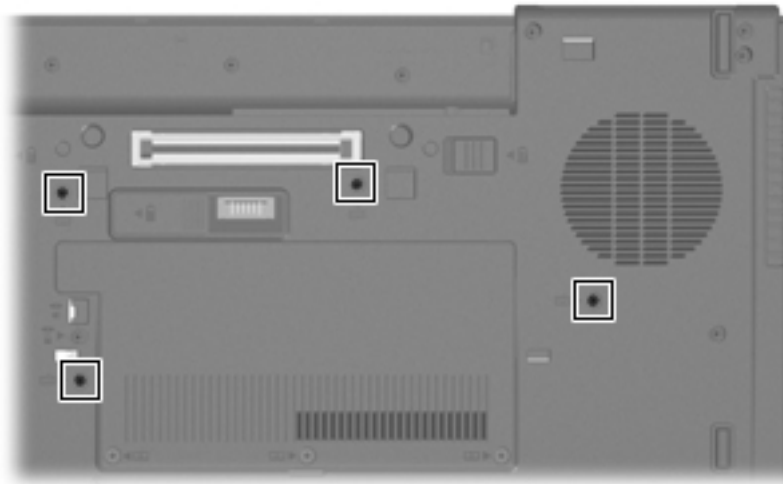


Where used: One screw that secures the system board to the base enclosure

Phillips PM2.5×9.0 captive screw

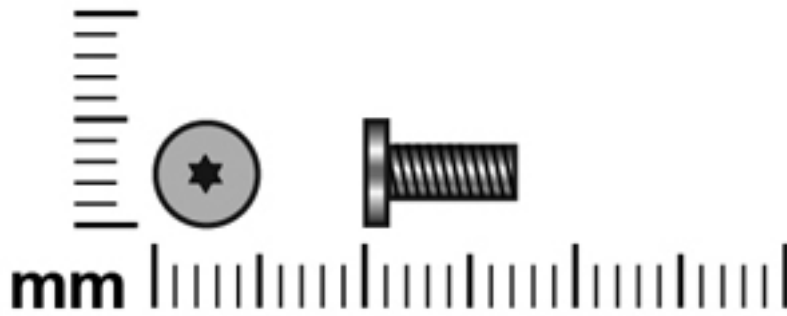


Color	Quantity	Length	Thread	Head diameter
Black	4	9.0 mm	2.5 mm	5.0 mm

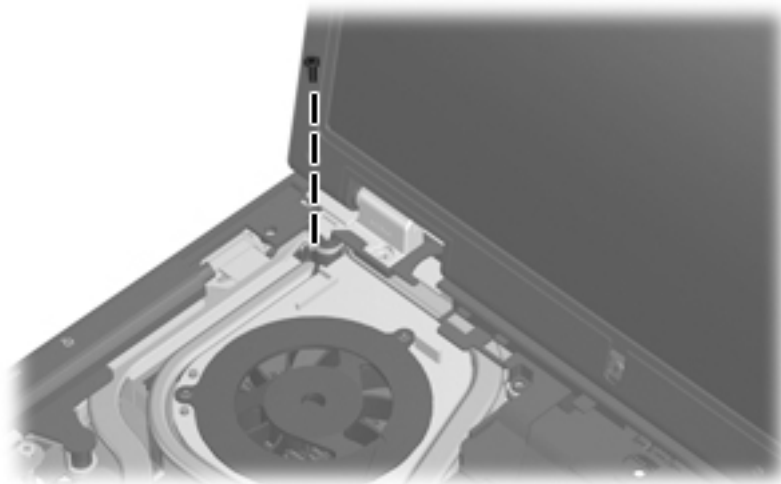


Where used: 3 captive screws that secure the keyboard to the computer

Torx T8M2.5×7.0 screw



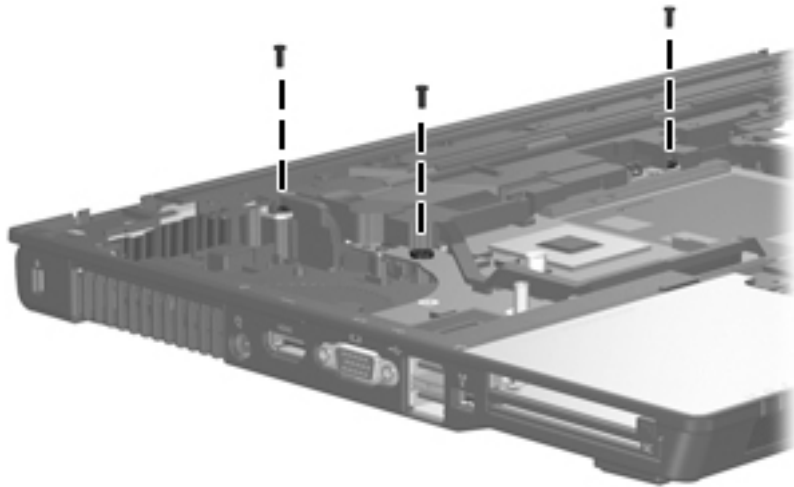
Color	Quantity	Length	Thread	Head diameter
Black	9	7.0 mm	2.5 mm	5.0 mm



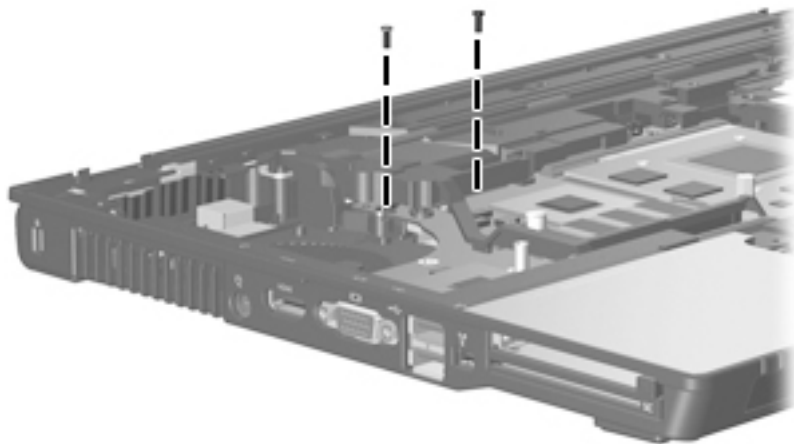
Where used: One screw that secures the fan/heat sink assembly to the computer



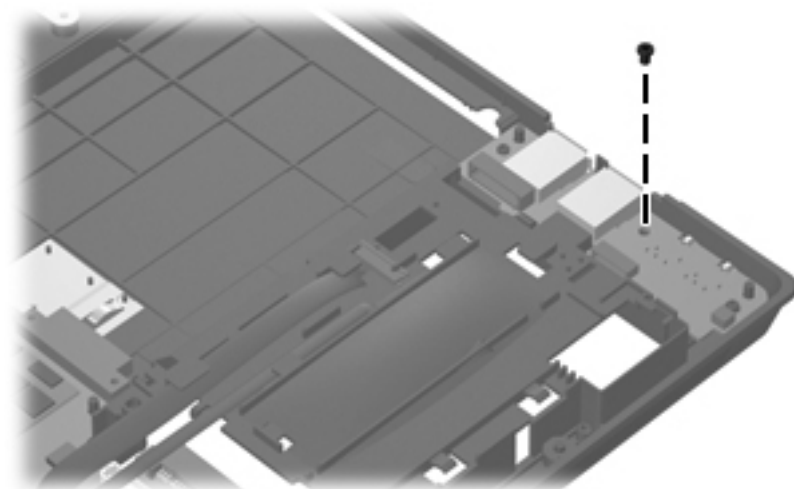
Where used: 2 screws that secure the display panel to the display enclosure



Where used: 3 screws that secure the top cover to the base enclosure

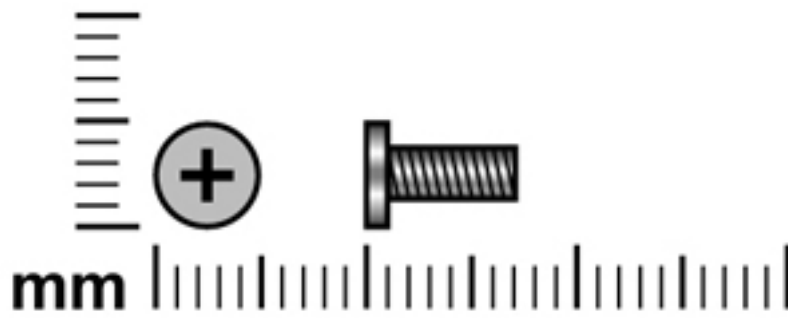


Where used: 2 screws that secure the system board to the base enclosure

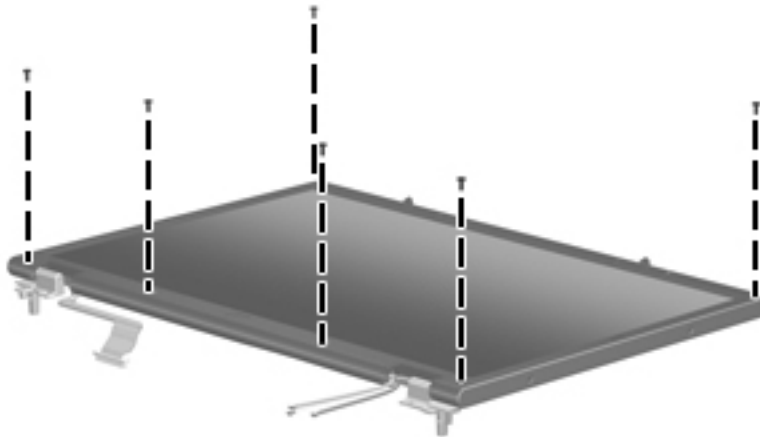


Where used: One screw that secures the USB/audio board to the base enclosure

Phillips PM2.5×7.0 screw

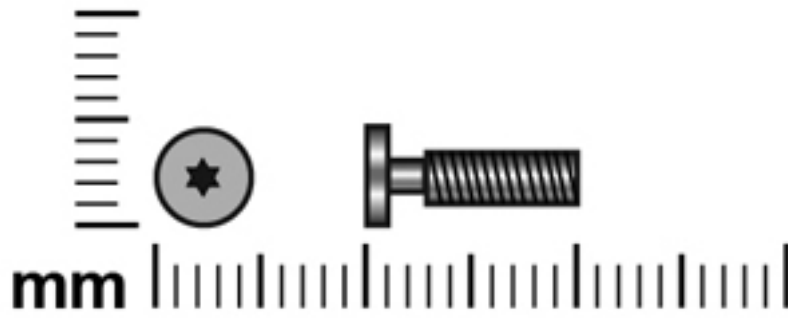


Color	Quantity	Length	Thread	Head diameter
Silver	6	7.0 mm	2.5 mm	5.0 mm

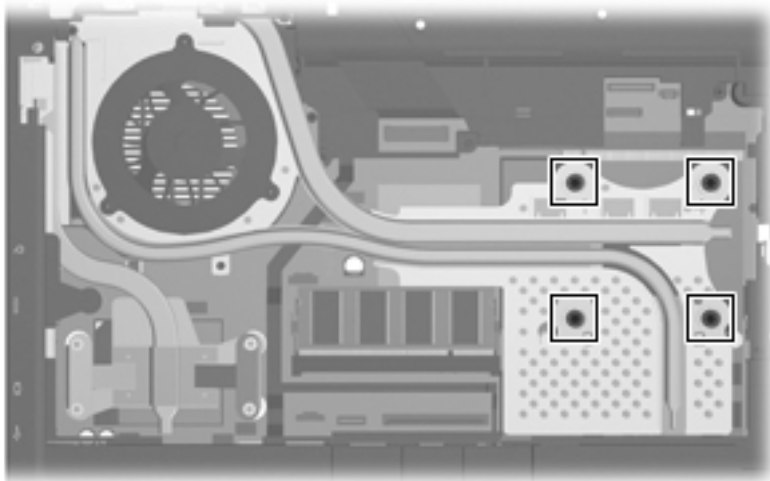


Where used: 6 screws that secure the display bezel to the display enclosure

Torx T8M2.0×10.0 captive screw

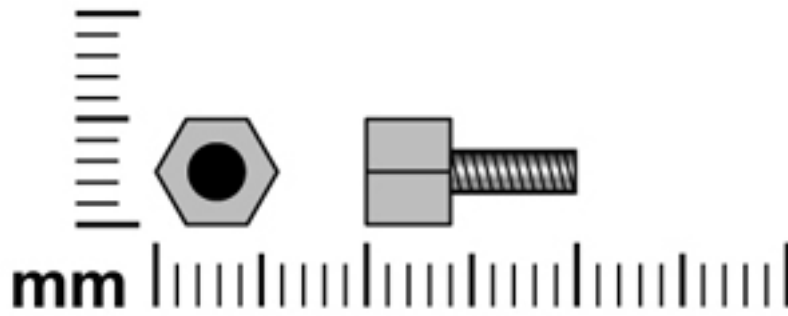


Color	Quantity	Length	Thread	Head diameter
Black	4	10.0 mm	2.0 mm	5.0 mm

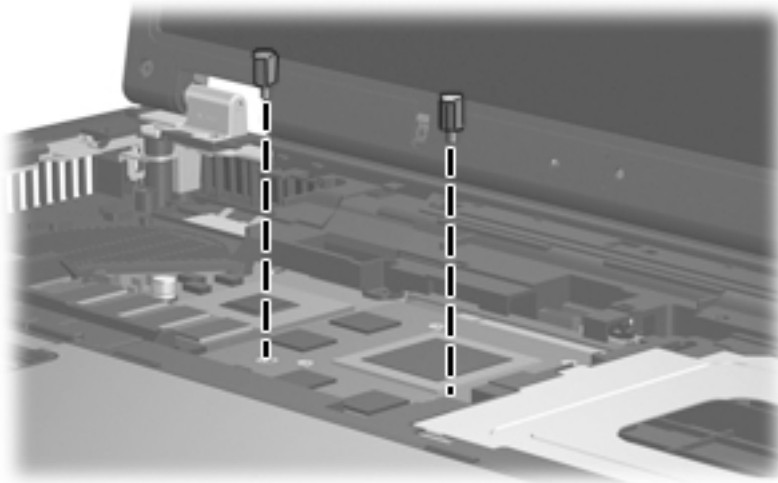


Where used: 4 captive screws that secure the fan/heat sink assembly to the system board

Hex Metric HM5.0×10.0 standoff

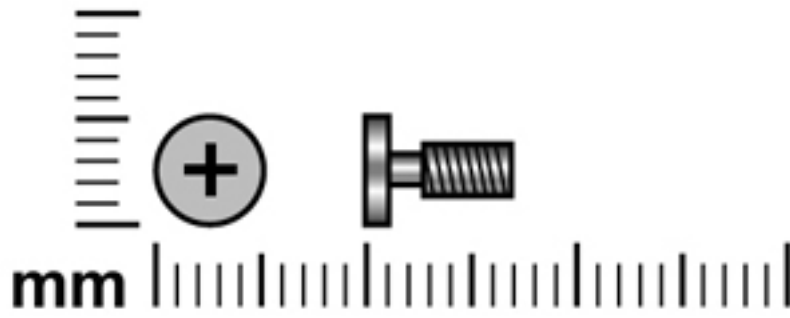


Color	Quantity	Length	Thread	Head diameter
Silver	2	10.0 mm	2.5 mm	5.0 mm

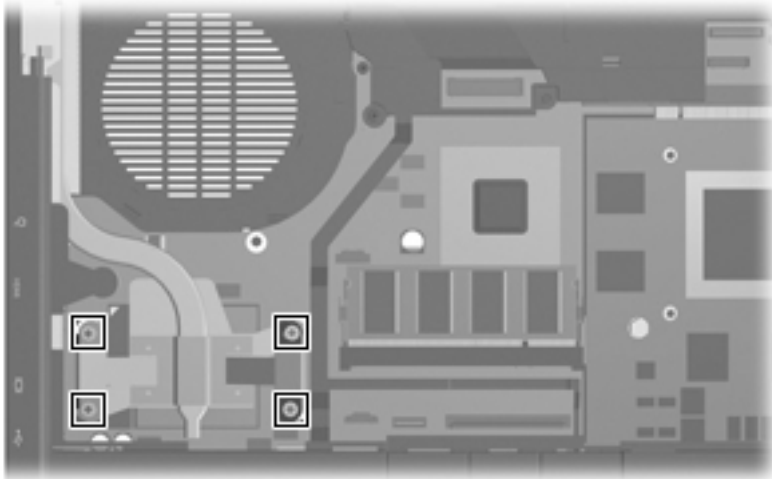


Where used: 2 standoffs that secure the graphics card to the system board

Phillips PM2.5×7.0 captive screw

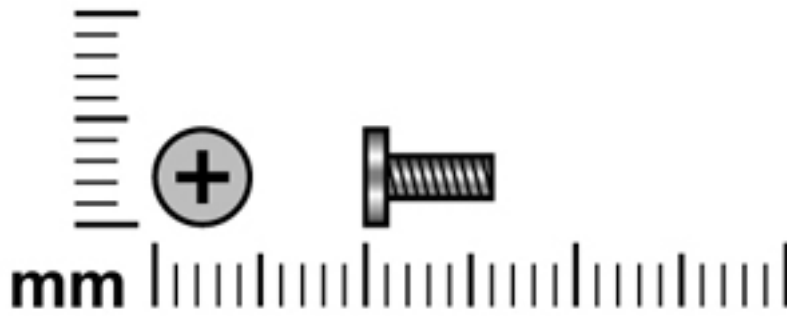


Color	Quantity	Length	Thread	Head diameter
Black	4	7.0 mm	2.5 mm	5.0 mm

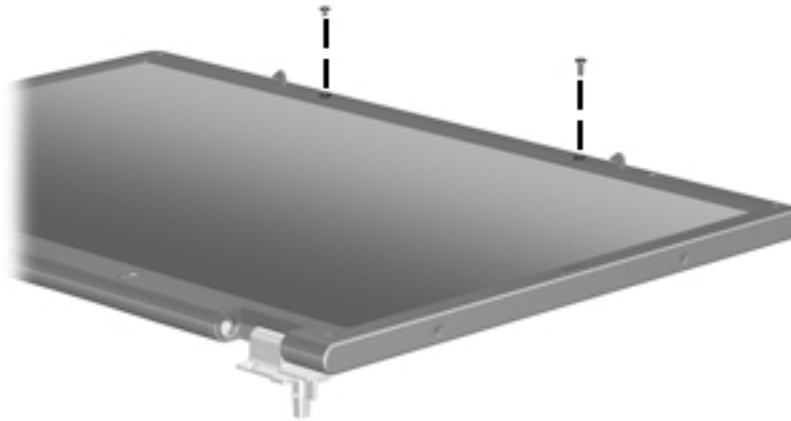


Where used: 4 captive screws that secure the processor heat sink to the base enclosure

Phillips PM2.0×6.0 screw



Color	Quantity	Length	Thread	Head diameter
Silver	2	6.0 mm	2.0 mm	5.0 mm



Where used: 2 screws that secure the display bezel to the display enclosure

8 Backup and recovery


Backup and recovery using Windows Vista

Creating recovery discs

After setting up the computer for the first time, be sure to create a set of recovery discs of the full factory image. The recovery discs are used to start up (boot) the computer and recover the operating system and software to factory settings in case of system instability or failure.

Note the following guidelines before creating recovery discs:

- Use any of the following types of discs: CD-R, DVD+R, DVD+R DL, DVD-R, or DVD-R DL (purchased separately). The discs you use will depend on the type of optical drive installed in your computer. Because DVDs store more information than CDs, DVDs and DVDs with double-layer (DL) support reduce the number of discs required.


 **NOTE:** Read-write discs, such as CD-RW, DVD+RW, and DVD-RW, are not compatible with the HP Backup & Recovery Manager software.

- The computer must be connected to AC power during the process.
- Only one set of the recovery discs can be created per computer.
- Number each disc before inserting it into the optical drive of the computer.
- If necessary, you can cancel the disc creation before you have finished and pointing stick creating the recovery discs. The next time you select **Create a set of recovery discs (Recommended)**, you will be prompted to continue the disc creation.

To create a set of recovery discs:

1. Select **Start > All Programs > HP Backup & Recovery > Backup & Recovery Manager**.
2. Click **Next**.
3. Click **Create a set of recovery discs (Recommended)**, and then click **Next**.
4. Follow the on-screen instructions.

Backing up your information


 **NOTE:** You can only recover files that you have previously backed up. HP recommends that you use HP Backup & Recovery Manager to create an entire drive backup as soon as you set up your computer.

With HP Backup & Recovery Manager, you can perform the following tasks:

- Backing up your information regularly to protect your important system files
- Creating system recovery points that allow you to reverse undesirable changes to your computer by restoring the computer to an earlier state
- Scheduling backups at specific intervals or events

When to back up

- On a regularly scheduled basis

 **NOTE:** Set reminders to back up your information periodically.

- Before the computer is repaired or restored
- Before you add or modify hardware or software

Backup suggestions

- Create a set of recovery discs using HP Backup & Recovery Manager.
- Create system recovery points using HP Backup & Recovery Manager, and periodically copy them to disc.
- Store personal files in the Documents folder and back up these folders periodically.
- Back up templates stored in their associated programs.
- Save customized settings in a window, toolbar, or menu bar by taking a screen shot of your settings.

The screen shot can be a time saver if you have to reset your preferences.


To copy the screen and paste it into a word-processing document:

- a. Display the screen.
- b. Copy the screen.

To copy only the active window, press **alt+fn+prt sc**.

To copy the entire screen, press **fn+prt sc**.


- c. Open a word-processing document, and then select **Edit > Paste**.

 **NOTE:** Before you can perform backup and recovery procedures, the computer must be connected to external power.

NOTE: Drivers, utilities, and applications installed by HP can be copied to a CD or to a DVD using HP Backup & Recovery Manager.

Backing up specific files or folders

You can back up specific files or folders to the recovery partition on the hard drive, to an optional external hard drive, or to optical discs (CDs or DVDs).


 **NOTE:** This process will take several minutes, depending on the file size and the speed of the computer.

To back up specific files or folders:

1. Select **Start > All Programs > HP Backup & Recovery > Backup & Recovery Manager**.
2. Click **Next**.
3. Click **Create or manage backups**, and then click **Next**.
4. Click **Back up user created files and folders**, and then click **Next**.
5. Follow the on-screen instructions.

Backing up the entire hard drive

When you perform a complete backup of the hard drive, you are saving the full factory image, including the Windows® operating system, software applications, and all personal files and folders.

 **NOTE:** A copy of the entire hard drive image can be stored on another hard drive, on a network drive, or on recovery discs that you create.


NOTE: This process may take over an hour, depending on your computer speed and the amount of data being stored.

To back up your entire hard drive:

1. Select **Start > All Programs > HP Backup & Recovery > Backup & Recovery Manager**.
2. Click **Next**.
3. Click **Create or manage backups**, and then click **Next**.
4. Click **Create or manage Entire Drive Backups**, and then click **Next**.
5. Follow the on-screen instructions.


Creating recovery points

When you back up modifications since your last backup, you are creating system recovery points. This allows you to save a snapshot of your hard drive at a specific point in time. You can then recover back to that point if you want to reverse subsequent changes made to your system.

 **NOTE:** The first system recovery point, a snapshot of the entire image, is automatically created the first time you perform a backup. Subsequent recovery points make copies of changes made after that time.

HP recommends that you create recovery points at the following times:

- Before you add or extensively modify software or hardware
- Periodically, whenever the system is performing optimally

 **NOTE:** Recovering to an earlier recovery point does not affect data files or e-mails created since that recovery point.

To create a system recovery point:

1. Select **Start > All Programs > HP Backup & Recovery > Backup & Recovery Manager**.
2. Click **Next**.
3. Click **Create or manage backups**, and then click **Next**.
4. Click **Create or manage Recovery Points**, and then click **Next**.
5. Follow the on-screen instructions.


Scheduling backups

Use HP Backup Scheduler to schedule backups for the entire system, for recovery points, or for specific files and folders. With this tool, you can schedule backups at specific intervals (daily, weekly, or monthly) or at specific events, such as at system restart or when you dock to an optional docking station (select models only).

To schedule backups:

1. Select **Start > All Programs > HP Backup & Recovery > HP Backup Scheduler**.
2. Follow the on-screen instructions.

Performing a recovery

 **NOTE:** You can only recover files that you have previously backed up. HP recommends that you use HP Backup & Recovery Manager to create an entire drive backup as soon as you set up your computer.

HP Backup & Recovery Manager helps you with the following tasks for safeguarding your information and restoring it in case of a system failure:

- Recovering important files—This feature helps you reinstall important files without performing a full system recovery.
- Performing a full system recovery—With HP Backup & Recovery Manager, you can recover your full factory image if you experience system failure or instability. HP Backup & Recovery Manager works from a dedicated recovery partition on the hard drive or from recovery discs you create.

Performing a recovery from the recovery discs

To perform a recovery from the recovery discs, follow these steps:

1. Back up all personal files.
2. Insert the first recovery disc into the optical drive and restart the computer.
3. Follow the on-screen instructions.

Performing a recovery from the hard drive

There are 2 ways to initiate a recovery from the hard drive:

- From within Windows
- From the recovery partition

Initiating a recovery in Windows

To initiate a recovery in Windows, follow these steps:

1. Back up all personal files.
2. Select **Start > All Programs > HP Backup & Recovery > Backup & Recovery Manager**.
3. Click **Next**.
4. Click **Perform a recovery**, and then click **Next**.
5. Follow the on-screen instructions.

Initiating a recovery from the hard drive recovery partition

To initiate a recovery from the hard drive recovery partition, follow these steps:

1. Back up all personal files.
2. Restart the computer, and then press **f11** before the Windows operating system loads.
3. Click a recovery option, and then click **Next**.
4. Follow the on-screen instructions.


Backup and recovery using Windows XP

Creating recovery discs

After setting up the computer for the first time, be sure to create a set of recovery discs of the full factory image. The recovery discs are used to start up (boot) the computer and recover the operating system and software to factory settings in case of system instability or failure.

Note the following guidelines before creating recovery discs:

- Use any of the following types of discs: CD-R, DVD+R, DVD+R DL, DVD-R, or DVD-R DL (purchased separately). The discs you use will depend on the type of optical drive installed in your computer. Because DVDs store more information than CDs, DVDs and DVDs with double-layer (DL) support reduce the number of discs required.


 **NOTE:** Read-write discs, such as CD-RW, DVD+RW, and DVD-RW, are not compatible with the HP Backup and Recovery Manager software.

- The computer must be connected to AC power during the process.
- Only one set of the recovery discs can be created per computer.
- Number each disc before inserting it into the optical drive of the computer.
- If necessary, you can cancel the disc creation before you have finished and pointing stick creating the recovery discs. The next time you select **Create factory software recovery CDs or DVDs to recover the system (Highly recommended)**, you will be prompted to continue the disc creation.

To create a set of recovery discs:

1. Select **Start > All Programs > HP Backup & Recovery > HP Backup and Recovery Manager**.
2. Click **Next**.
3. Click **Create factory software recovery CDs or DVDs to recover the system (Highly recommended)**, and then click **Next**.
4. Follow the on-screen instructions.

Backing up your information


 **NOTE:** You can only recover files that you have previously backed up. HP recommends that you use HP Backup and Recovery Manager to create an entire drive backup as soon as you set up your computer.

With HP Backup and Recovery Manager, you can perform the following tasks:

- Backing up your information regularly to protect your important system files
- Creating system recovery points that allow you to reverse undesirable changes to your computer by restoring the computer to an earlier state
- Scheduling backups at specific intervals or events

When to back up

- On a regularly scheduled basis

 **NOTE:** Set reminders to back up your information periodically.

- Before the computer is repaired or restored
- Before you add or modify hardware or software

Backup suggestions

- Create a set of recovery discs using HP Backup and Recovery Manager.
- Create system recovery points using HP Backup and Recovery Manager, and periodically copy them to disc.
- Store personal files in the My Documents folder and back up these folders periodically.
- Back up templates stored in their associated programs.
- Save customized settings in a window, toolbar, or menu bar by taking a screen shot of your settings.

The screen shot can be a time saver if you have to reset your preferences.


To copy the screen and paste it into a word-processing document:

- a. Display the screen.
- b. Copy the screen.

To copy only the active window, press **alt+fn+prt sc**.

To copy the entire screen, press **fn+prt sc**.


- c. Open a word-processing document, and then select **Edit > Paste**.

 **NOTE:** Before you can perform backup and recovery procedures, the computer must be connected to external power.

NOTE: Drivers, utilities, and applications installed by HP can be copied to a CD or to a DVD using HP Backup and Recovery Manager.

Backing up specific files or folders

You can back up specific files or folders to the recovery partition on the hard drive, to an optional external hard drive, or to optical discs (CDs or DVDs).

 **NOTE:** This process will take several minutes, depending on the file size and the speed of the computer.


To back up specific files or folders:

1. Select **Start > All Programs > HP Backup & Recovery > HP Backup and Recovery Manager**.
2. Click **Next**.
3. Click **Back up to protect system settings and important data files**, and then click **Next**.

4. Click **Back up individual files and folders**, and then click **Next**.
5. Follow the on-screen instructions.

Backing up the entire hard drive

When you perform a complete backup of the hard drive, you are saving the full factory image, including the Windows® operating system, software applications, and all personal files and folders.

 **NOTE:** A copy of the entire hard drive image can be stored on another hard drive, on a network drive, or on recovery discs that you create.


NOTE: This process may take over an hour, depending on your computer speed and the amount of data being stored.

To back up your entire hard drive:

1. Select **Start > All Programs > HP Backup & Recovery > HP Backup and Recovery Manager**.
2. Click **Next**.
3. Click **Back up to protect system settings and important data files**, and then click **Next**.
4. Click **Back up entire hard drive**, and then click **Next**.
5. Follow the on-screen instructions.


Creating recovery points

When you back up modifications since your last backup, you are creating system recovery points. This allows you to save a snapshot of your hard drive at a specific point in time. You can then recover back to that point if you want to reverse subsequent changes made to your system.

 **NOTE:** The first system recovery point, a snapshot of the entire image, is automatically created the first time you perform a backup. Subsequent recovery points make copies of changes made after that time.

HP recommends that you create recovery points at the following times:

- Before you add or extensively modify software or hardware
- Periodically, whenever the system is performing optimally

 **NOTE:** Recovering to an earlier recovery point does not affect data files or e-mails created since that recovery point.

To create a system recovery point:

1. Select **Start > All Programs > HP Backup & Recovery > HP Backup and Recovery Manager**.
2. Click **Next**.
3. Click **Back up to protect system settings and important data files**, and then click **Next**.
4. Click **Create or manage Recovery Points**, and then click **Next**.
5. Follow the on-screen instructions.


Scheduling backups

Use HP Backup Scheduler to schedule backups for the entire system, for recovery points, or for specific files and folders. With this tool, you can schedule backups at specific intervals (daily, weekly, or monthly) or at specific events, such as at system restart or when you dock to an optional docking station (select models only).

To schedule backups:

1. Select **Start > All Programs > HP Backup & Recovery > HP Backup Scheduler**.
2. Follow the on-screen instructions.

Performing a recovery

 **NOTE:** You can only recover files that you have previously backed up. HP recommends that you use HP Backup and Recovery Manager to create an entire drive backup as soon as you set up your computer.

HP Backup and Recovery Manager helps you with the following tasks for safeguarding your information and restoring it in case of a system failure:

- Recovering important files—This feature helps you reinstall important files without performing a full system recovery.
- Performing a full system recovery—With HP Backup and Recovery Manager, you can recover your full factory image if you experience system failure or instability. HP Backup and Recovery

Manager works from a dedicated recovery partition on the hard drive or from recovery discs you create.

Performing a recovery from the recovery discs

To perform a recovery from the recovery discs, follow these steps:

1. Back up all personal files.
2. Insert the first recovery disc into the optical drive and restart the computer.
3. Follow the on-screen instructions.

Performing a recovery from the hard drive

There are 2 ways to initiate a recovery from the hard drive:

- From within Windows
- From the recovery partition

Initiating a recovery in Windows

To initiate a recovery in Windows, follow these steps:

1. Back up all personal files.
2. Select **Start > All Programs > HP Backup & Recovery > HP Backup and Recovery Manager**.
3. Click **Next**.
4. Click **Recover important files or the entire system**, and then click **Next**.
5. Follow the on-screen instructions.

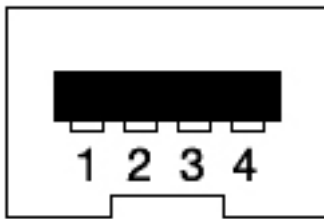
Initiating a recovery from the hard drive recovery partition

To initiate a recovery from the hard drive recovery partition, follow these steps:

1. Back up all personal files.
2. Restart the computer, and then press **f11** before the Windows operating system loads.
3. Click a recovery option, and then click **Next**.
4. Follow the on-screen instructions.

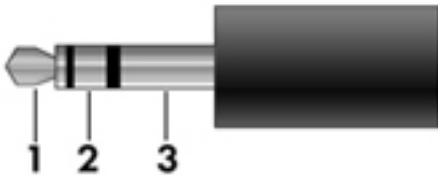
9 Connector pin assignments

1394



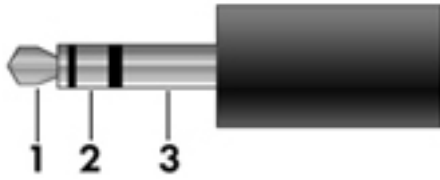
Pin	Signal
1	Twisted pair B-
2	Twisted pair B+
3	Twisted pair A-
4	Twisted pair A+

Audio-out (headphone)



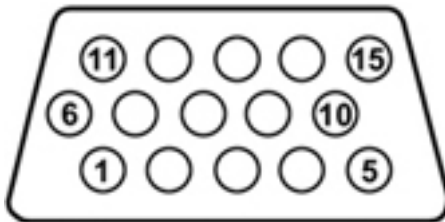
Pin	Signal
1	Audio out, left channel
2	Audio out, right channel
3	Ground

Audio-in (microphone)



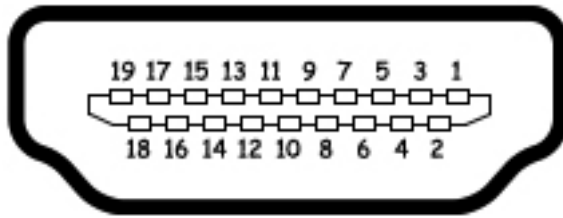
Pin	Signal
1	Audio signal in
2	Audio signal in
3	Ground

External monitor



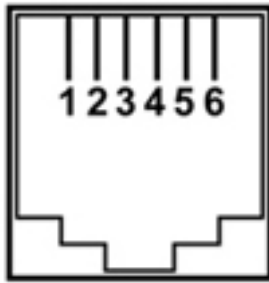
Pin	Signal
1	Red analog
2	Green analog
3	Blue analog
4	Not connected
5	Ground
6	Ground analog
7	Ground analog
8	Ground analog
9	+5 VDC
10	Ground
11	Monitor detect
12	DDC 2B data
13	Horizontal sync
14	Vertical sync
15	DDC 2B clock

HDMI



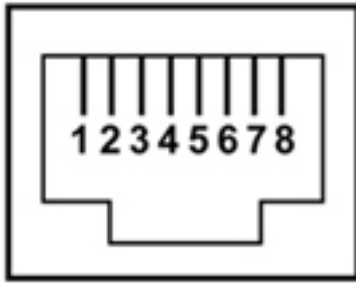
Pin	Signal
1	TMDS data 2+
2	TMDS data 2 shield
3	TMDS data 2-
4	TMDS data 1+
5	TMDS data 1 shield
6	TMDS data 1-
7	TMDS data 0+
8	TMDS data 0 shield
9	TMDS data 0-
10	TMDS clock+
11	TMDS clock shield
12	TMDS clock-
13	CEC
14	No connect
15	DDC clock
16	DDC data
17	Ground
18	+5V power
19	Hot plug detect
20	Shell

RJ-11 (modem)



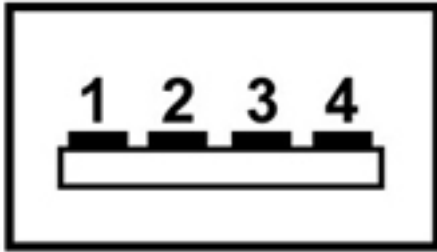
Pin	Signal
1	Unused
2	Tip
3	Ring
4	Unused
5	Unused
6	Unused

RJ-45 (network)



Pin	Signal
1	Transmit +
2	Transmit -
3	Receive +
4	Unused
5	Unused
6	Receive -
7	Unused
8	Unused

Universal Serial Bus



Pin	Signal
1	+5 VDC
2	Data -
3	Data +
4	Ground

10 Power cord set requirements

The wide range input feature of the computer permits it to operate from any line voltage from 100 to 120 volts AC or from 220 to 240 volts AC.

The 3-conductor power cord set included with the computer meets the requirements for use in the country or region where the equipment is purchased.

Power cord sets for use in other countries and regions must meet the requirements of the country or region where the computer is used.

Requirements for all countries and regions

The requirements listed below are applicable to all countries and regions:

- The length of the power cord set must be at least 1.5 m (5.0 ft) and no more than 2.0 m (6.5 ft).
- All power cord sets must be approved by an acceptable accredited agency responsible for evaluation in the country or region where the power cord set will be used.
- The power cord sets must have a minimum current capacity of 10 amps and a nominal voltage rating of 125 or 250 V AC, as required by the power system of each country or region.
- The appliance coupler must meet the mechanical configuration of an EN 60 320/IEC 320 Standard Sheet C13 connector for mating with the appliance inlet on the back of the computer.

Requirements for specific countries and regions

Country/region	Accredited agency	Applicable note number
Australia	EANSW	1
Austria	OVE	1
Belgium	CEBC	1
Canada	CSA	2
Denmark	DEMKO	1
Finland	FIMKO	1
France	UTE	1
Germany	VDE	1
Italy	IMQ	1
Japan	METI	3
Korea	EK	4
The Netherlands	KEMA	1
Norway	NEMKO	1
The People's Republic of China	CCC	5
Sweden	SEMKO	1
Switzerland	SEV	1
Taiwan	BSMI	4
The United Kingdom	BSI	1
The United States	UL	2

1. The flexible cord must be Type HO5VV-F, 3-conductor, 1.0-mm² conductor size. Power cord set fittings (appliance coupler and wall plug) must bear the certification mark of the agency responsible for evaluation in the country or region where it will be used.
2. The flexible cord must be Type SPT-3 or equivalent, No. 18 AWG, 3-conductor. The wall plug must be a two-pole grounding type with a NEMA 5-15P (15 A, 125 V) or NEMA 6-15P (15 A, 250 V) configuration.
3. The appliance coupler, flexible cord, and wall plug must bear a "T" mark and registration number in accordance with the Japanese Dentori Law. The flexible cord must be Type VCT or VCTF, 3-conductor, 1.00-mm² conductor size. The wall plug must be a two-pole grounding type with a Japanese Industrial Standard C8303 (7 A, 125 V) configuration.
4. The flexible cord must be Type RVV, 3-conductor, 0.75-mm² conductor size. Power cord set fittings (appliance coupler and wall plug) must bear the certification mark of the agency responsible for evaluation in the country or region where it will be used.
5. The flexible cord must be Type VCTF, 3-conductor, 0.75-mm² conductor size. Power cord set fittings (appliance coupler and wall plug) must bear the certification mark of the agency responsible for evaluation in the country or region where it will be used.

11 Recycling

Battery

When a battery has reached the end of its useful life, do not dispose of the battery in general household waste. Follow the local laws and regulations in your area for computer battery disposal.

Display

-
- ⚠ **WARNING!** The backlight contains mercury. Exercise caution when removing and handling the backlight to avoid damaging this component and pointing stick causing exposure to the mercury.
 - ⚠ **CAUTION:** The procedures in this appendix can result in damage to display components. The only components intended for recycling purposes are the liquid and pointing stick crystal display (LCD) panel and the backlight. Careful handling must be exercised when removing these components. When you remove these components, handle them carefully.
 - 📄 **NOTE: Materials Disposal.** This HP product contains mercury in the backlight in the display assembly that might require special handling at end-of-life. Disposal of mercury may be regulated because of environmental considerations. For disposal or recycling information, contact your local authorities, or see the Electronic Industries Alliance (EIA) Web site at <http://www.eiae.org>.
-

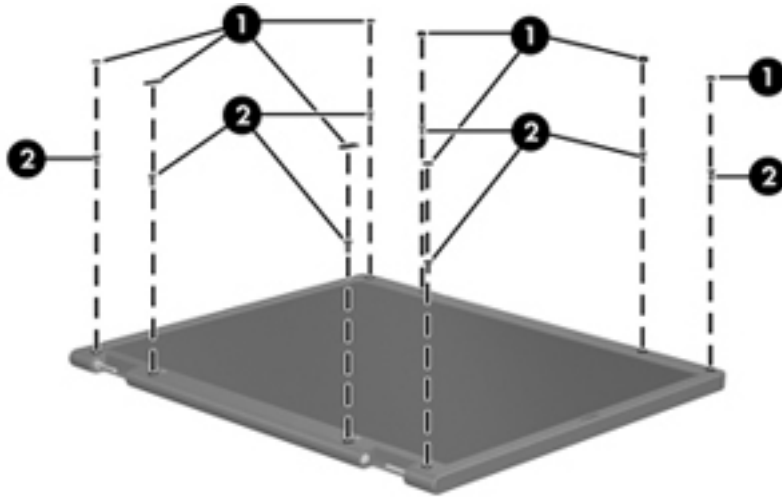
This section provides disassembly instructions for the display assembly. The display assembly must be disassembled to gain access to the backlight **(1)** and the liquid crystal display (LCD) panel **(2)**.



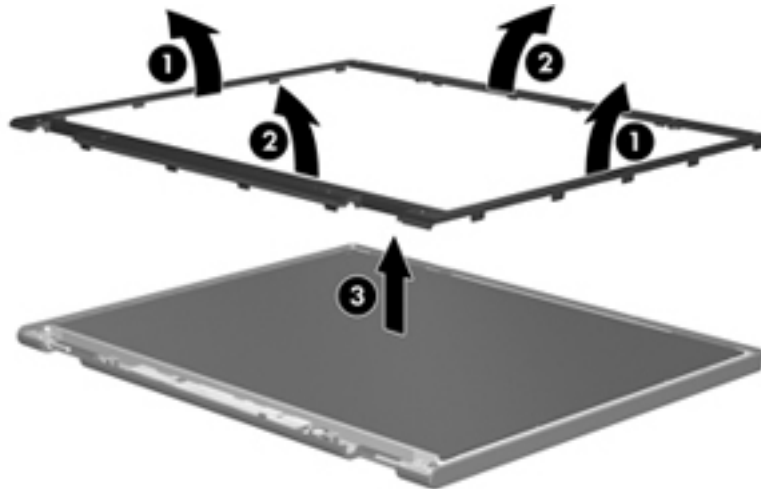
-
- 📄 **NOTE:** The procedures provided in this appendix are general disassembly instructions. Specific details, such as screw sizes, quantities, and locations, and pointing stick component shapes and sizes, can vary from one computer model to another.
-

Perform the following steps to disassemble the display assembly:

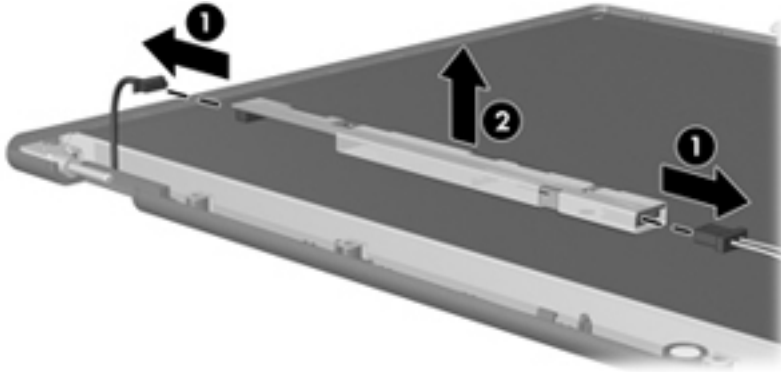
1. Remove all screw covers (1) and screws (2) that secure the display bezel to the display assembly.



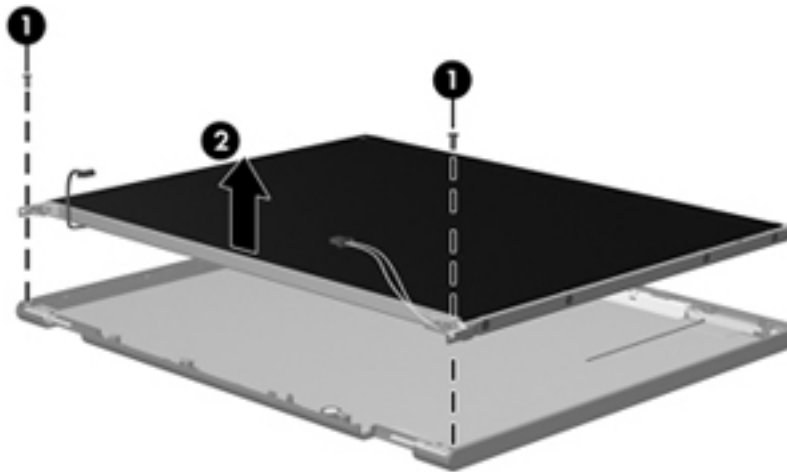
2. Lift up and out on the left and right inside edges (1) and the top and bottom inside edges (2) of the display bezel until the bezel disengages from the display assembly.
3. Remove the display bezel (3).



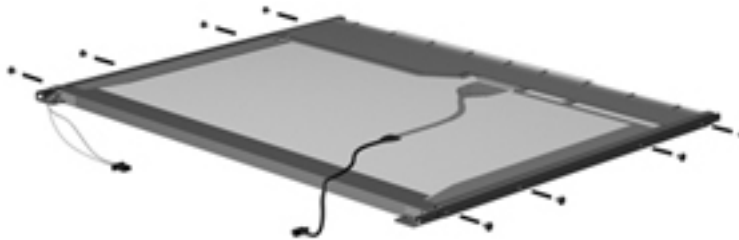
4. Disconnect all display panel cables (1) from the display inverter and remove the inverter (2).



5. Remove all screws (1) that secure the display panel assembly to the display enclosure.
6. Remove the display panel assembly (2) from the display enclosure.

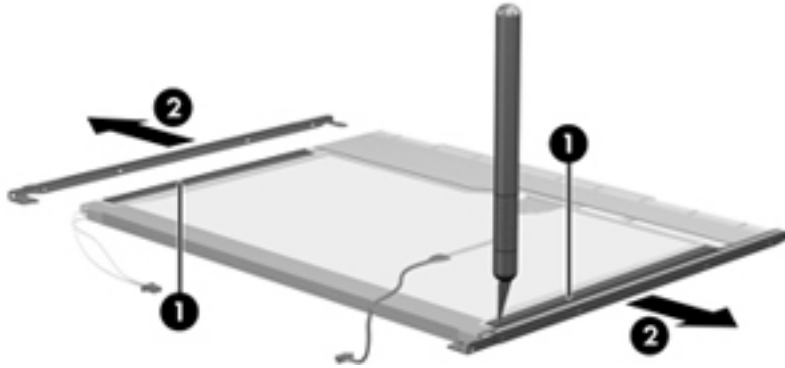


7. Turn the display panel assembly upside down.
8. Remove all screws that secure the display panel frame to the display panel.



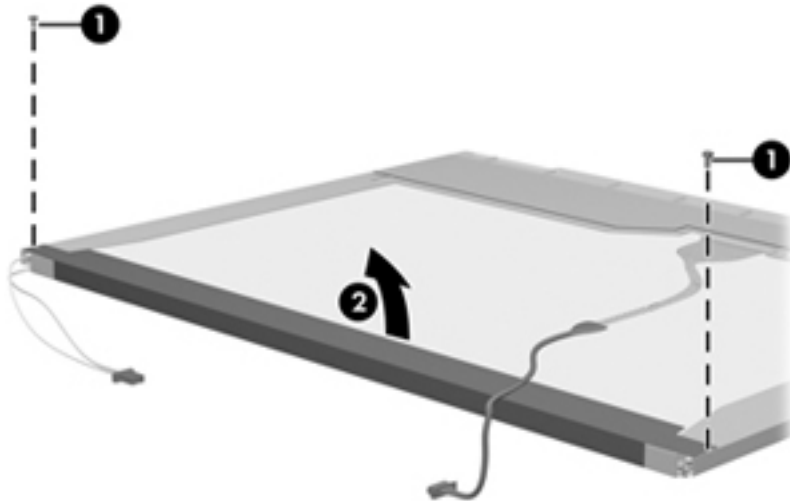
9. Use a sharp-edged tool to cut the tape (1) that secures the sides of the display panel to the display panel frame.

10. Remove the display panel frame (2) from the display panel.



11. Remove the screws (1) that secure the backlight cover to the display panel.

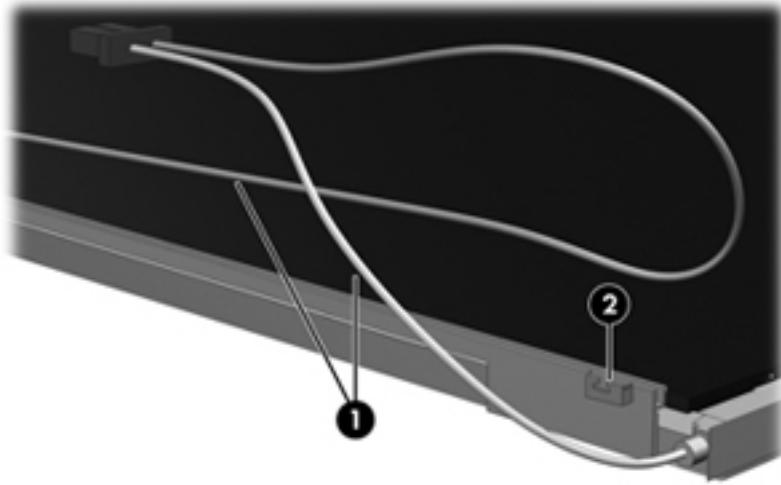
12. Lift the top edge of the backlight cover (2) and swing it outward.



13. Remove the backlight cover.

14. Turn the display panel right-side up.

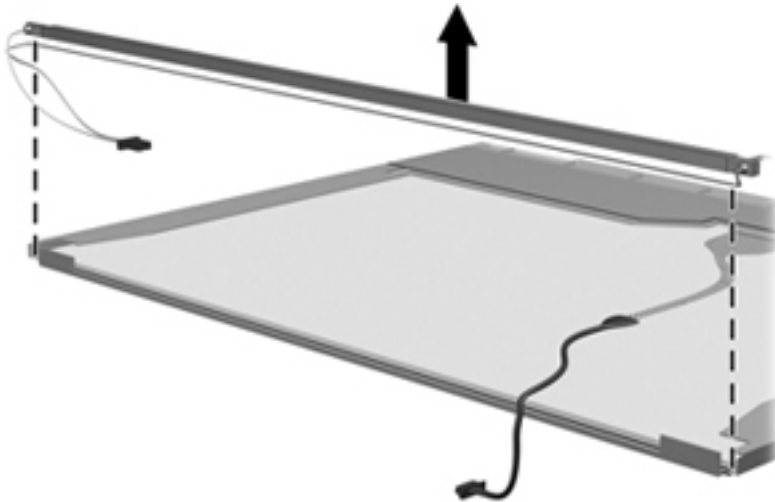
15. Remove the backlight cables (1) from the clip (2) in the display panel.



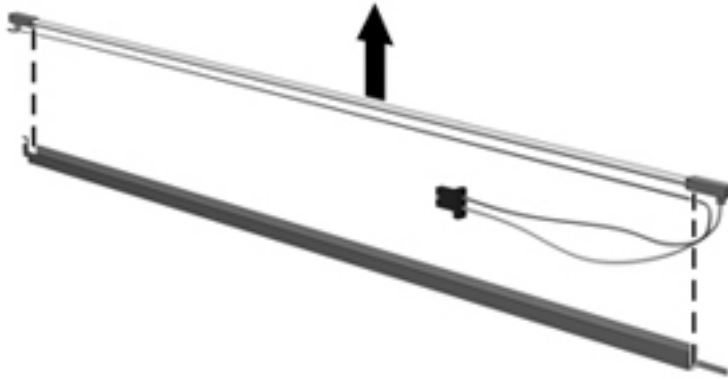
16. Turn the display panel upside down.

⚠ **WARNING!** The backlight contains mercury. Exercise caution when removing and handling the backlight to avoid damaging this component and pointing stick causing exposure to the mercury.

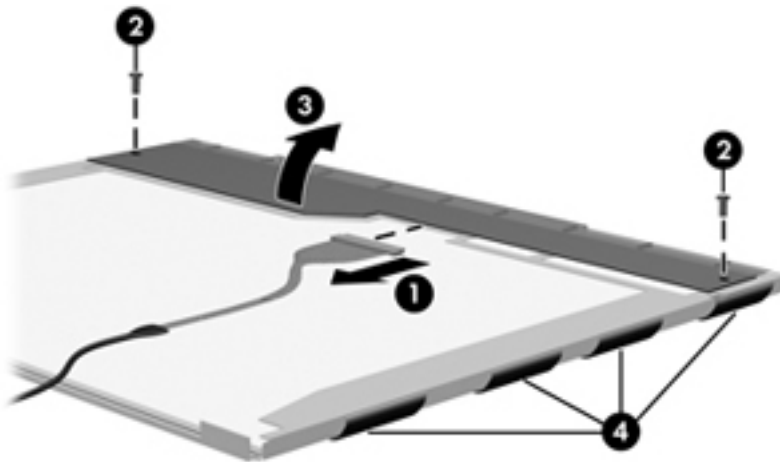
17. Remove the backlight frame from the display panel.



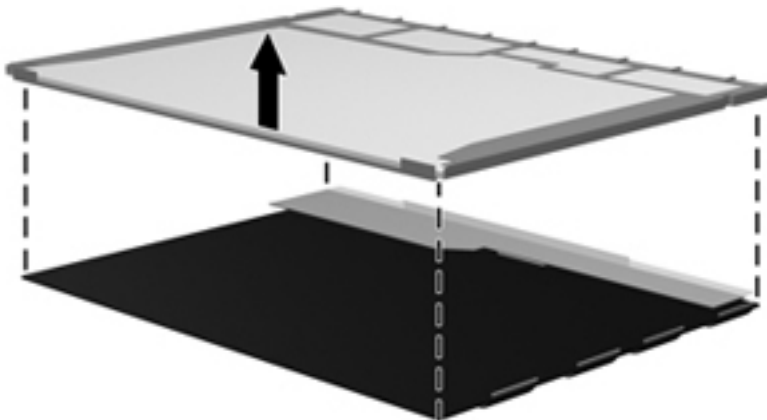
18. Remove the backlight from the backlight frame.



19. Disconnect the display panel cable (1) from the LCD panel.
20. Remove the screws (2) that secure the LCD panel to the display rear panel.
21. Release the LCD panel (3) from the display rear panel.
22. Release the tape (4) that secures the LCD panel to the display rear panel.



23. Remove the LCD panel.



24. Recycle the LCD panel and backlight.

Index

Symbols/Numerics

1394 port
location 15
pin assignments 146

A

AC adapter
spare part numbers 37
AC adapter, spare part
numbers 29
AC adapters, spare part
numbers 32
accessory battery connector 17
ambient light sensor 8
ambient light sensor board
removal 47
spare part number 20, 35, 47
antennae
disconnecting 58
locations 8
audio, product description 4
audio-in jack
location 16
pin assignments 147
audio-out jack
location 16
pin assignments 146

B

backing up 134, 140
backup
files and folders 135, 141
hard drive 136, 142
modifications made to the
system 137, 143
scheduling 137, 143
base enclosure, spare part
number 23, 35
battery
location 17

removal 46
spare part number 23, 35, 46
battery bay 17
battery latches 17
battery light 11, 14
Bluetooth module
removal 53
spare part number 23, 35, 53
Bluetooth module cable
illustrated 28
removal 91
boot options 100
boot order 100
bottom components 17
buttons
calculator 10
info 9
power 9
presentation 9
volume mute 9
wireless 9

C

Cable Kit
contents 28
spare part number 26, 28, 35
cables, service considerations 40
calculator button 10
caps lock light 11
carrying case, spare part
number 30, 31
chipset, product description 1
CMOS clearing 44
components
bottom 17
buttons 9
display 8
fingerprint reader 9
front 14
keys 10

left-side 15
lights 11
pointing devices 13
rear 16
right-side 16
switches 9
top 9
computer feet
locations 45
spare part number 23, 36, 45
Computer Setup
accessing 96
Diagnostics menu 99
File menu 98
navigating and selecting 97
restoring factory settings 97
Security menu 99
System Configuration
menu 100
using 97
computer specifications 102
connectors
accessory battery 17
docking 17
service considerations 40
creating recovery points 137, 143

D

Diagnostics menu 99
Disk Sanitizer 99
diskette drive
precautions 40
product description 4
spare part number 30, 31
display assembly
removal 79
spare part numbers 19, 36, 79
display bezel
release 47

- removal 81
- spare part number 20, 36
- Display Bracket Kit, spare part number 20, 36
- display cable, spare part number 36
- display component recycling 154
- display components 8
- display enclosure
 - spare part numbers 37
- display enclosure, spare part numbers 20, 36
- display hinge
 - removal 83
 - spare part number 20, 36, 84
- display inverter
 - removal 47
 - spare part number 20, 36, 47
- display panel
 - product description 2
 - removal 83
- display panel cable, spare part number 20
- display release latch 14
- Display Rubber Kit, spare part number 20, 36
- Display Screw Kit, spare part number 20, 36
- display
 - specifications 103, 104, 105
- docking connector 17
- docking support, product description 5
- drive light 11, 14
- DriveLock password 99
- drives
 - boot order 100
 - preventing damage 40
- DVD-ROM Drive
 - precautions 40
 - removal 60
 - spare part number 26, 29, 35
 - spare part numbers 30, 31, 60
 - specifications 109
- DVD-RW Drive
 - precautions 40
 - removal 60
 - spare part
 - number 25, 29, 35, 60
 - specifications 107
- DVD/CD-RW Combo Drive
 - precautions 40
 - removal 60
 - spare part number 25, 29, 36
 - spare part numbers 30, 31, 60
 - specifications 108
- DVD±RW and CD-RW Combo Drive
 - precautions 40
 - removal 60
 - spare part
 - numbers 25, 29, 35, 60
 - specifications 107
- E**
 - electrostatic discharge 41
 - esc key 10
 - Ethernet, product description 4
 - Execution Disable 100
 - external media cards, product description 5
 - external monitor port
 - location 15
 - pin assignments 147
 - External MultiBay II power cable and stand, spare part number 30, 31
 - External MultiBay II, spare part number 30, 31
- F**
 - fan/heat sink
 - spare part number 22
 - fan/heat sink assembly
 - removal 72
 - spare part number 37, 72
 - feet
 - locations 45
 - spare part number 23, 36, 45
 - File menu 98
 - fn key 10
 - front components 14
 - function keys 10
- G**
 - graphics card
 - removal 74
 - spare part
 - numbers 23, 35, 37, 74
 - graphics, product description 1
- grounding equipment and methods 43
- H**
 - hard drive
 - location 17
 - precautions 40
 - product description 3
 - removal 50
 - spare part
 - numbers 25, 29, 36, 37, 50
 - specifications 106
 - hard drive backup 136, 142
 - hard drive bay 17
 - hard drive bracket, removal 52
 - hard drive cover
 - illustrated 27
 - removal 51
 - hard drive recovery 138, 144
 - hard drive test 99
 - HDMI port
 - location 15
 - pin assignments 148
 - headphone jack
 - location 16
 - pin assignments 146
 - heat sink
 - removal 76
 - spare part numbers 22, 37, 76
 - hinge
 - removal 83
 - spare part number 20, 36, 84
 - HP Extended Life Battery, spare part number 30, 31
 - HP Fingerprint Sensor 10
- I**
 - I/O address specifications 112
 - info button 9
 - interrupt specifications 111
 - inverter
 - removal 47
 - spare part number 47
- J**
 - jacks
 - audio-in 16
 - audio-out 16
 - headphone 16
 - microphone 16
 - modem 16

- network 16
- RJ-11 16
- RJ-45 16

K

- keyboard
 - product description 5
 - removal 62
 - spare part
 - numbers 20, 21, 33, 34, 62
- keypad keys 10
- keys
 - esc 10
 - fn 10
 - function 10
 - keypad 10
 - Windows applications 10
 - Windows logo 10

L

- Label Kit, spare part
 - number 30, 36
- LAN Power Save 100
- language, changing in Computer Setup 100
- left-side components 15
- legacy support, Universal Serial Bus (USB) 96, 100
- lights
 - battery 11, 14
 - caps lock 11
 - drive 11, 14
 - num lock 11
 - power 11, 14
 - volume down 12
 - volume mute 12
 - volume up 12
 - wireless 11, 14

M

- mass storage devices, spare part
 - numbers 29
- Media Card Reader 14
- memory check 99
- memory map specifications 110
- memory module
 - product description 2
 - removal 54, 65
 - spare part
 - numbers 23, 36, 38, 54, 65

- memory module/WLAN module
 - compartment 17
- memory module/WLAN module
 - compartment cover
 - illustrated 27
 - removal 54
- microphone 8
- microphone extension cable
 - illustrated 28
 - removal 92
 - spare part number 36, 92
- microphone jack
 - location 16
 - pin assignments 147
- microphone, product
 - description 4
- model name 1
- modem jack
 - location 16
 - pin assignments 149
- modem module
 - product description 4
 - removal 68
 - spare part number 23, 33, 68
- monitor port
 - location 15
 - pin assignments 147

N

- navigating in Computer Setup 97
- network jack
 - location 16
 - pin assignments 150
- num lock light 11

O

- operating system, product
 - description 6
- optical drive
 - location 16
 - precautions 40
 - product description 4
 - removal 60
 - spare part
 - numbers 25, 29, 35, 60
 - specifications 107, 108, 109
- optical drive button 16

P

- packing guidelines 42
- parallel port mode 100

- password and pointing stick
 - clearing 44
- passwords 99
- PC Card assembly
 - removal 94
 - spare part number 22, 36, 94
- PC Card eject button 15
- PC Card slot 15
- PC Card slot bezel, illustrated 27
- pin assignments
 - 1394 port 146
 - audio-in jack 147
 - audio-out jack 146
 - external monitor port 147
 - HDMI port 148
 - headphone jack 146
 - microphone jack 147
 - modem jack 149
 - monitor port 147
 - network jack 150
 - RJ-11 149
 - RJ-45 jack 150
 - Universal Serial Bus (USB)
 - port 151
- plastic parts 39
- Plastics Kit
 - contents 27
 - spare part number 22, 27, 36
- pointing device
 - components 13
 - product description 5
- pointing device components
 - pointing stick 13
 - pointing stick buttons 13
 - TouchPad 13
 - TouchPad buttons 13
 - TouchPad scroll zone 13
- pointing stick 13
- pointing stick buttons 13
- ports
 - 1394 15
 - external monitor port 15
 - HDMI 15
 - monitor port 15
 - product description 5
 - Universal Serial Bus (USB) 15, 16
- power button 9

- power button board
 - removal 71
 - spare part number 20, 35, 71
- power button board cable, illustrated 28
- power connector 15
- power cord
 - set requirements 152
 - spare part numbers 30, 31
- power light 11, 14
- power requirements, product description 6
- power-on password 99
- presentation button 9
- processor
 - product description 1
 - removal 77
 - spare part numbers 22, 36, 37, 77
- product description
 - audio 4
 - chipset 1
 - diskette drive 4
 - display panel 2
 - docking support 5
 - Ethernet 4
 - external media cards 5
 - graphics 1
 - hard drives 3
 - keyboard 5
 - memory module 2
 - microphone 4
 - modem module 4
 - operating system 6
 - optical drives 4
 - pointing devices 5
 - ports 5
 - power requirements 6
 - processors 1
 - product name 1
 - security 6
 - serviceability 7
 - wireless 4
- product name 1
- R**
- rear component 16
- recovery discs
 - creating 134, 140
 - using 138, 144
- recovery partition 139, 145
- recovery points 137, 143
- removal/replacement
 - preliminaries 39
 - procedures 45
- restoring Computer Setup factory settings 97
- right-side components 16
- RJ-11 connector cable
 - removal 92
- RJ-11 jack
 - location 16
 - pin assignments 149
- RJ-11 jack cable
 - illustrated 28
- RJ-45 connector cable
 - removal 92
- RJ-45 jack
 - location 16
 - pin assignments 150
- RJ-45 jack cable
 - illustrated 28
- RTC battery
 - removal 59
 - spare part number 23, 35, 59
- Rubber Kit, spare part number 23, 36
- S**
- scheduling backups 137, 143
- Screw Kit
 - contents 114
 - spare part number 31, 37
- screw listing 114
- security cable slot 15
- Security menu 99
- security, product description 6
- selecting in Computer Setup 97
- serial number 18, 45
- service considerations 39
- serviceability, product description 7
- smart card reader 15
- smart card security 99
- speaker assembly
 - removal 87
 - spare part number 23, 37, 87
- speakers 14
- specifications
 - computer 102
 - display 103, 104, 105
 - DVD-ROM Drive 109
 - DVD-RW Drive 107
 - DVD/CD-RW Combo Drive 108
 - DVD±RW and CD-RW Combo Drive 107
 - hard drive 106
 - I/O addresses 112
 - interrupts 111
 - memory map 110
 - optical drive 107, 108, 109
 - system DMA 110
- startup check 99
- static-shielding materials 43
- stringent security 99
- switch cover
 - removal 69
 - spare part number 20, 35, 69
- system backup 136, 142
- system board
 - removal 89
 - spare part numberS 89
 - spare part numbers 23, 35, 37
- System Configuration menu 100
- system DMA 110
- system fan 100
- system information 98
- system memory map 110
- system recovery points 137, 143
- T**
- thermal material, replacement 73, 75, 77
- tools required 39
- top components 9
- top cover
 - removal 85
 - spare part numbers 22, 37, 85
- TouchPad
 - removal 66
 - spare part numbers 22, 37, 66
- TouchPad buttons 13
- TouchPad cable, illustrated 28
- TouchPad scroll zone 13
- transporting guidelines 42
- U**
- Universal Serial Bus (USB) legacy support 96, 100

- Universal Serial Bus (USB) port
 - location 15
 - pin assignments 151
- unknown password 44
- USB/audio board
 - removal 93
 - spare part number 23, 35, 93
- USB/audio board cable,
 - illustrated 28

V

- vents 15, 16, 17
- volume down light 12
- volume mute button 9
- volume mute light 12
- volume scroll zone 10
- volume up light 12

W

- Windows applications key 10
- Windows logo key 10
- Wireless Antenna Kit, spare part
 - number 20, 35
- wireless antennae
 - disconnecting 58
 - locations 8
- wireless button 9
- wireless light 11, 14
- wireless, product description 4
- WLAN antenna, spare part
 - number 20, 35
- WLAN module
 - removal 56
 - spare part
 - numbers 23, 32, 33, 56
- workstation guidelines 42

