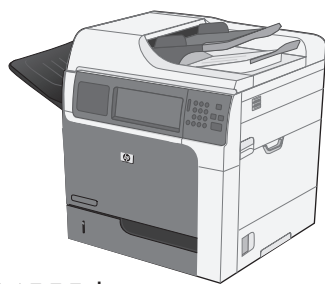




LASERJET ENTERPRISE M4555

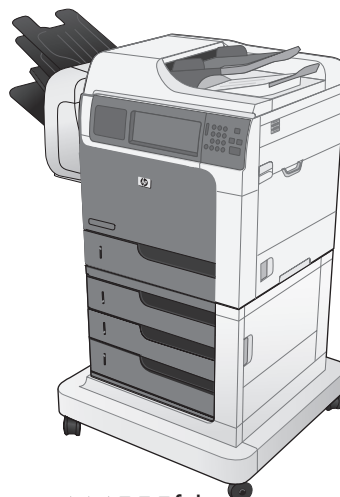
MFP SERIES



M4555dn
M4555h



M4555f



M4555fskm

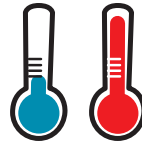
EN Installation Guide

מדריך התקנה **HE**

EN Read me first

קרא כאן תחילה **HE**

1



10° - 30°C
(50° - 86°F)

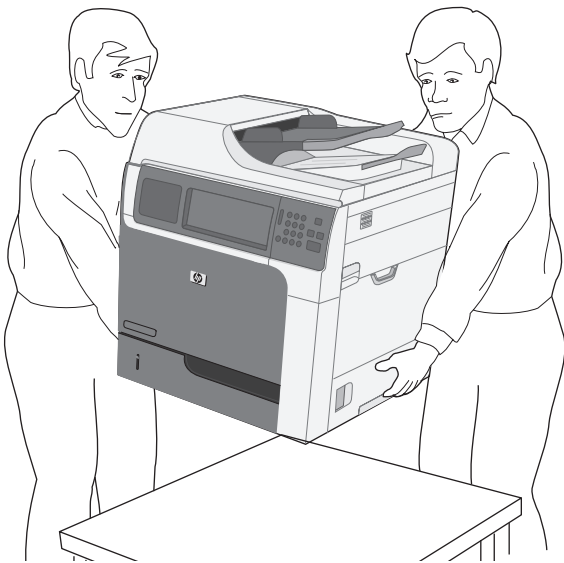
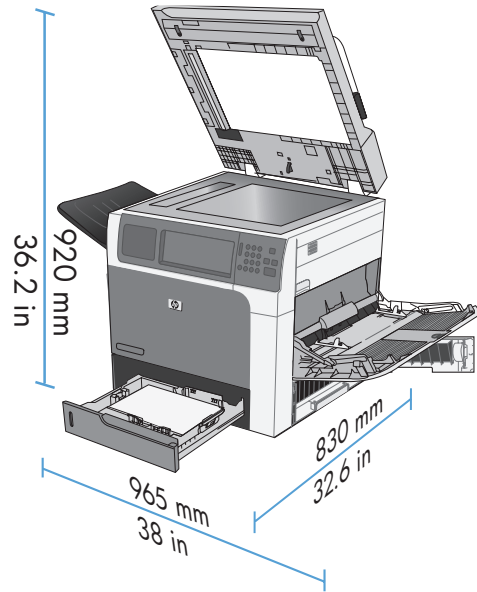
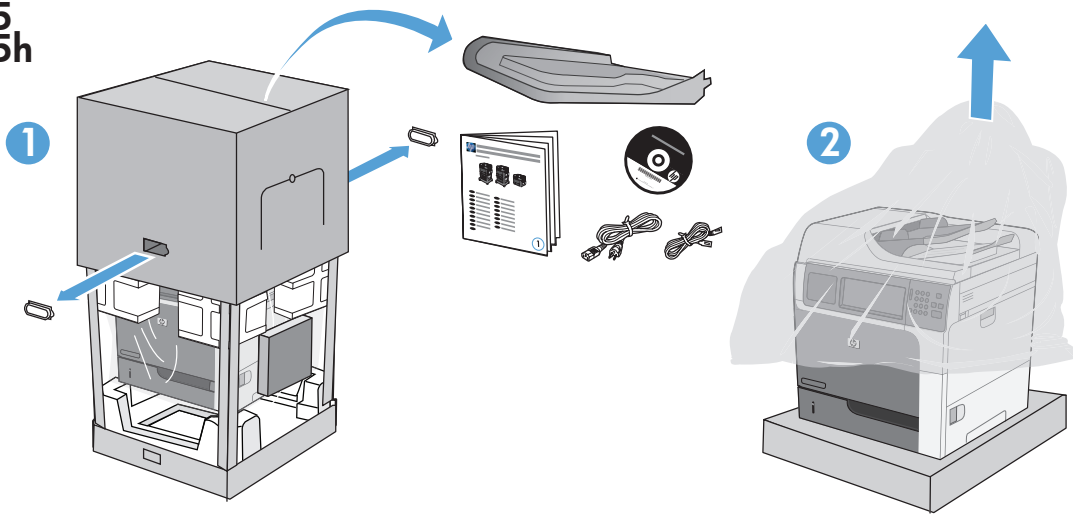


EN Select a sturdy, well-ventilated, dust-free area, away from direct sunlight to position the product.

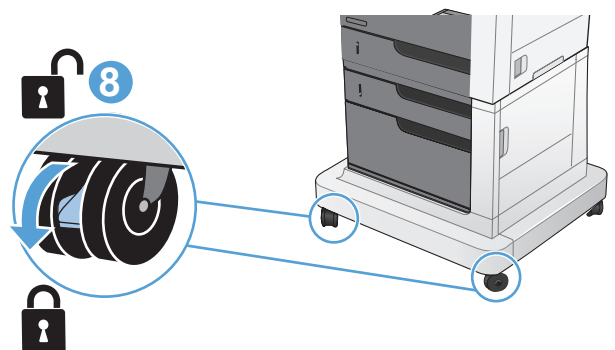
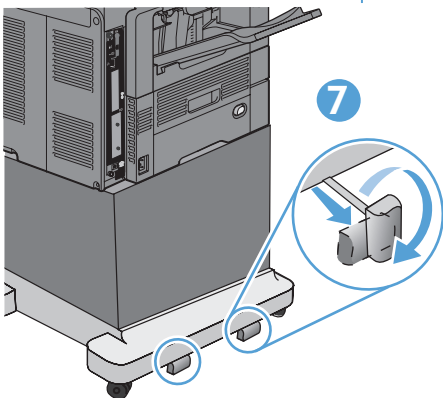
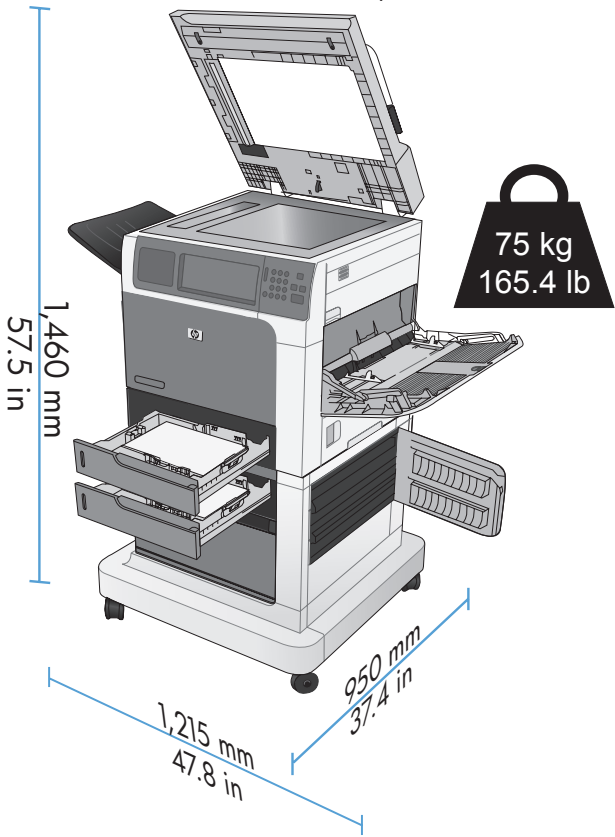
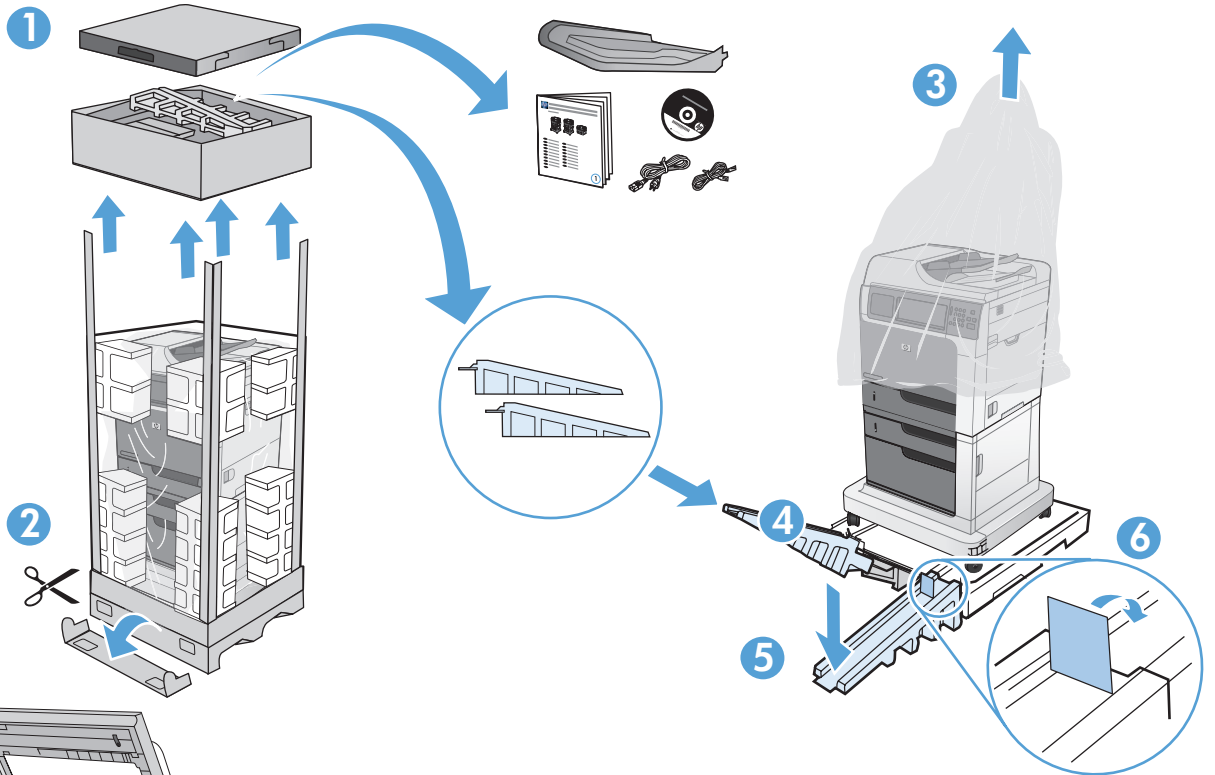
הצב את המוצר באזור יציב, מאוורר ונקי מאבק, הרחק מאור שמש ישיר. **HE**

2

M4555
M4555h

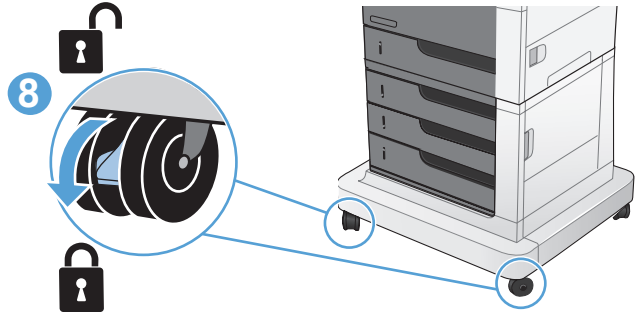
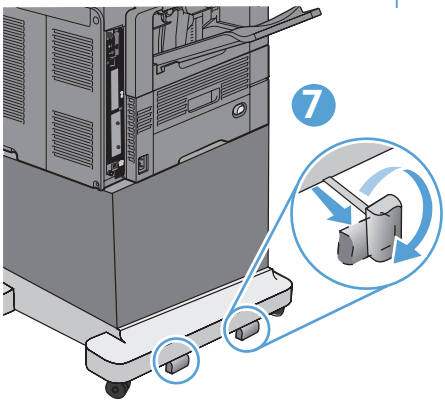
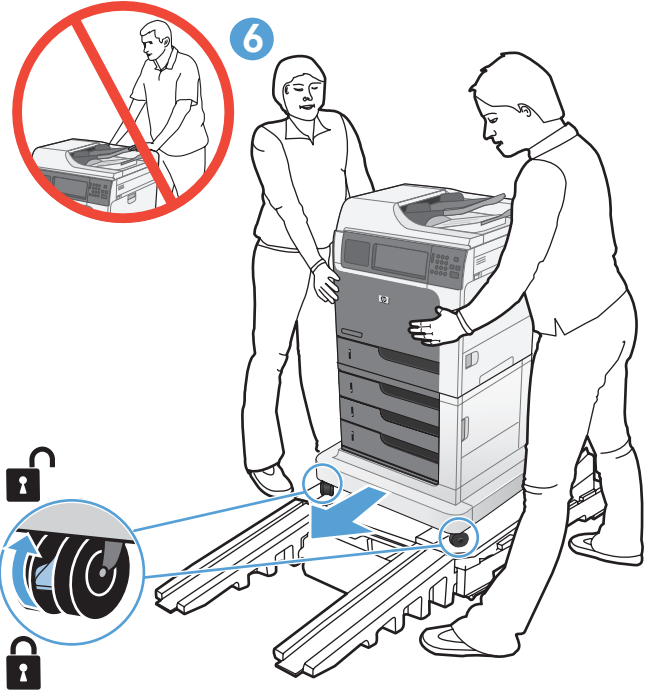
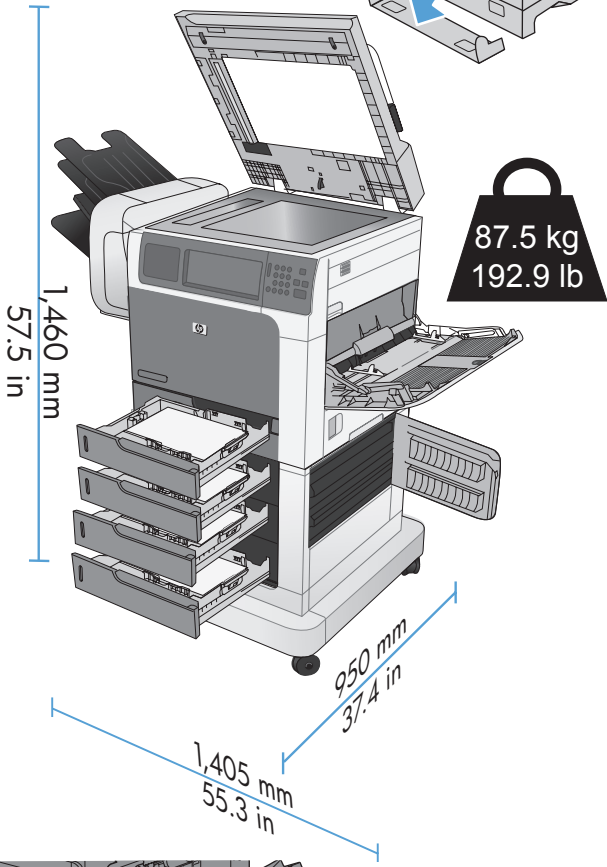
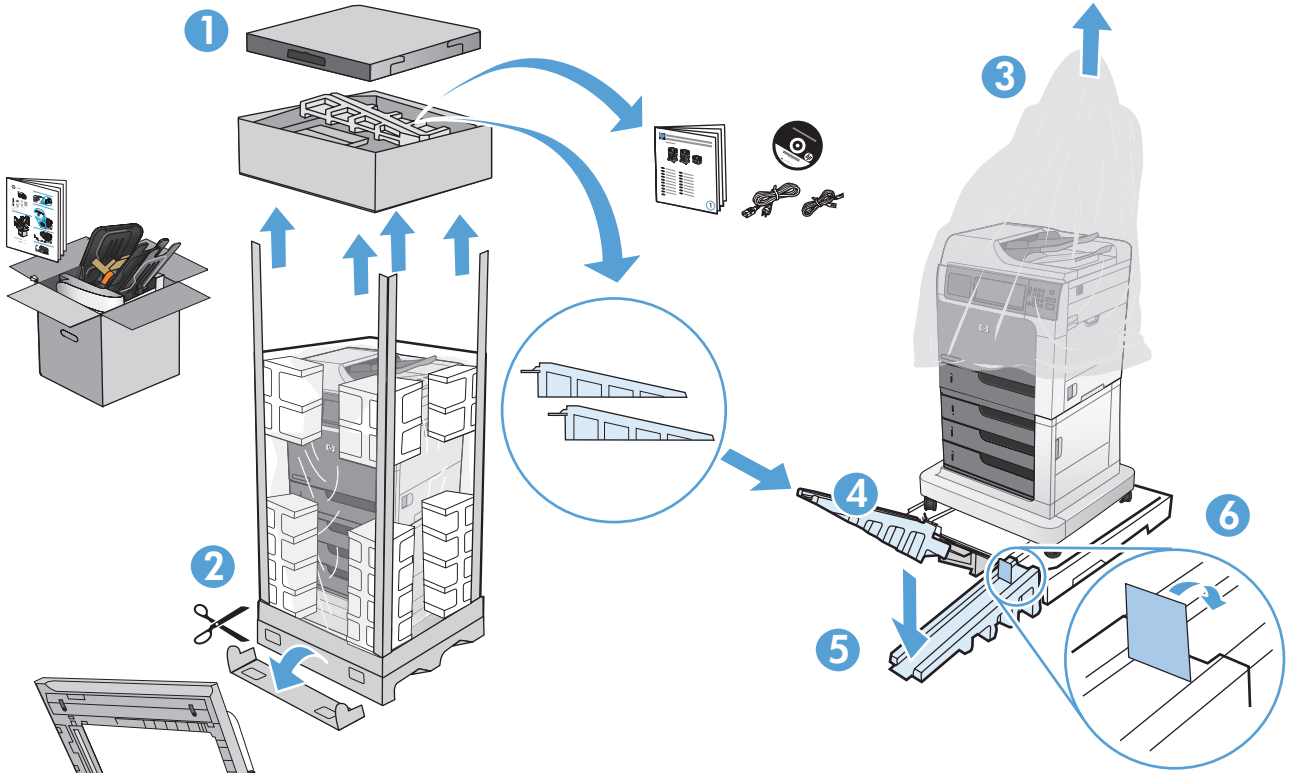


② M4555f



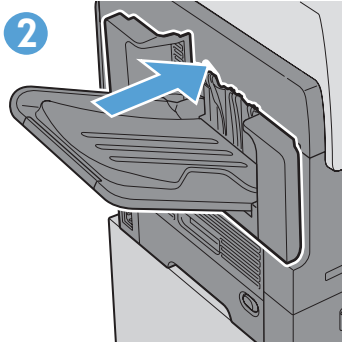
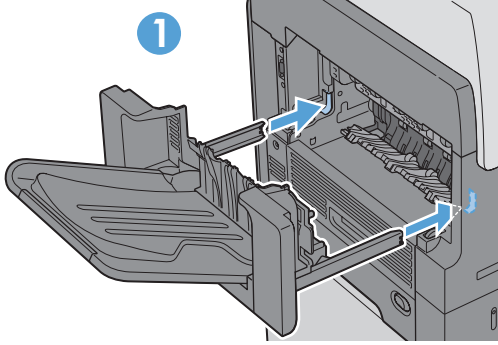
2

M4555fskm

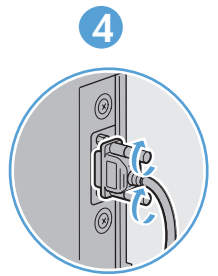
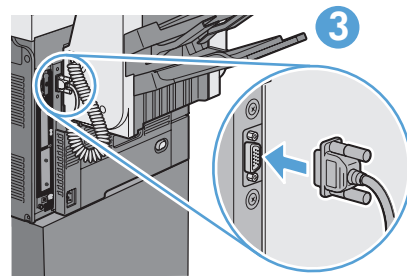
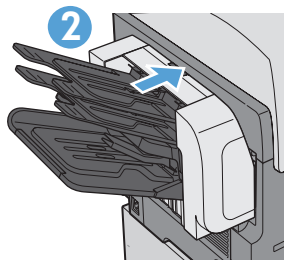
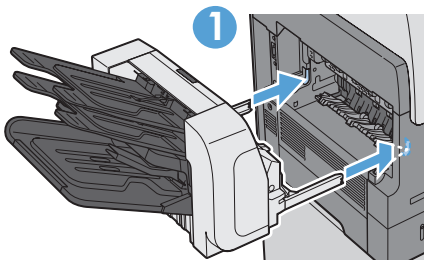


3

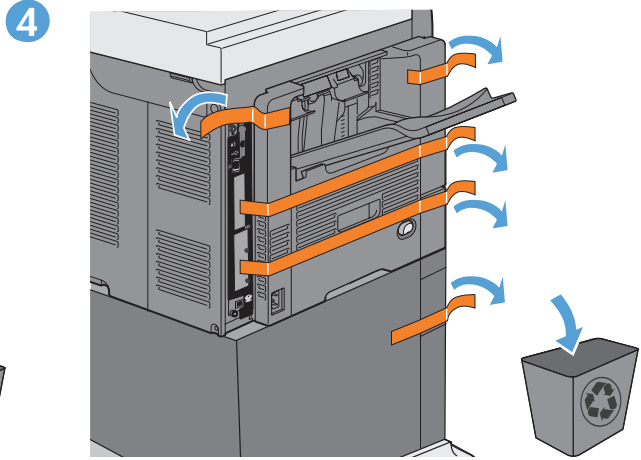
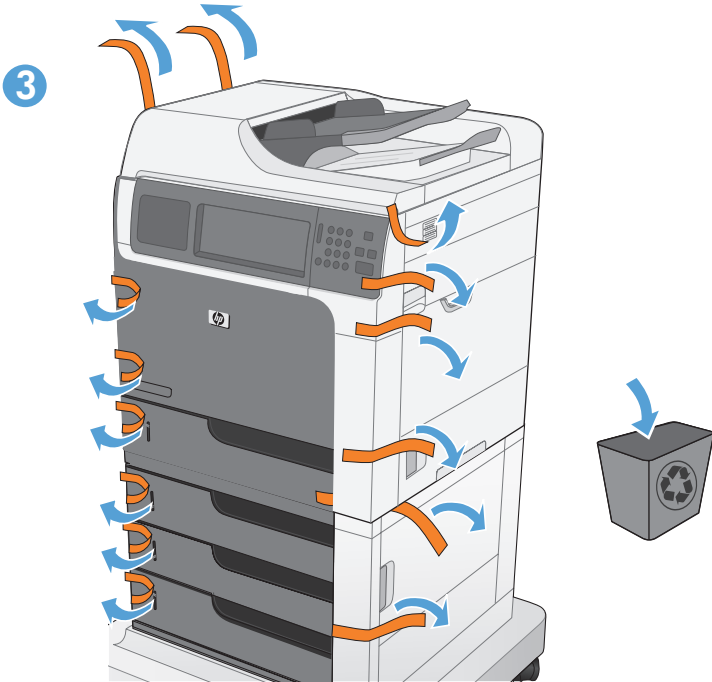
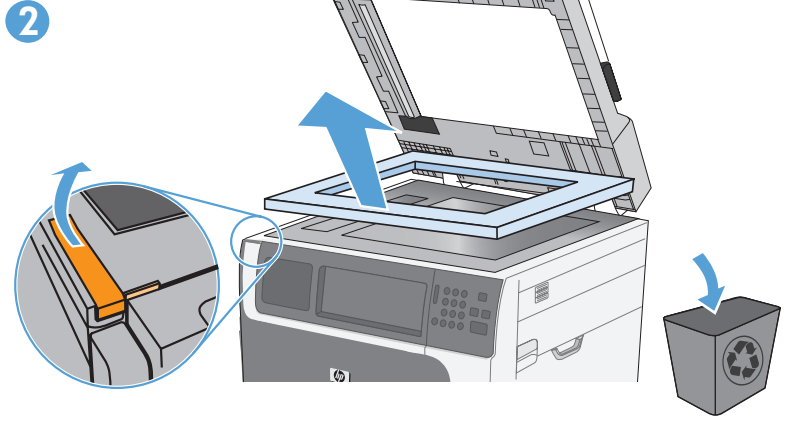
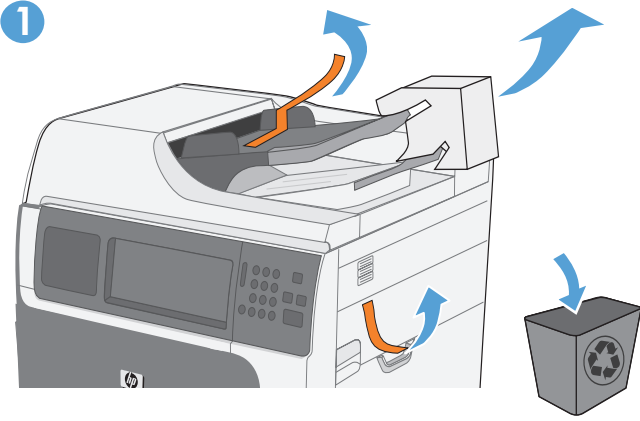
M4555, M4555h, M4555f

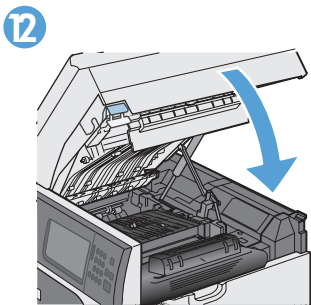
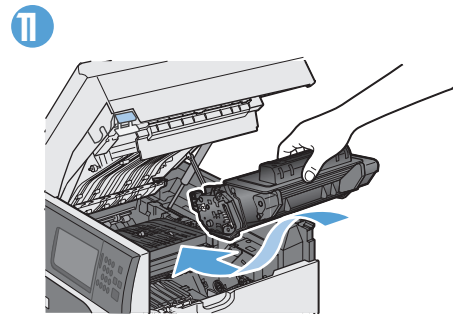
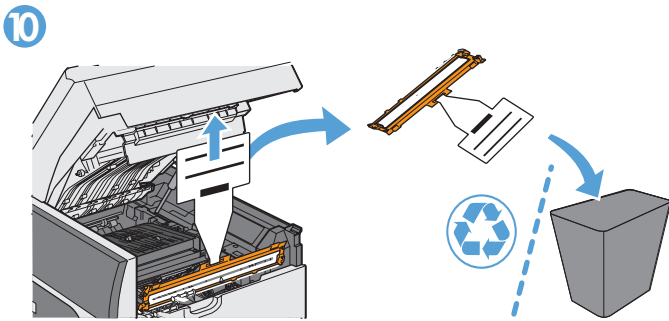
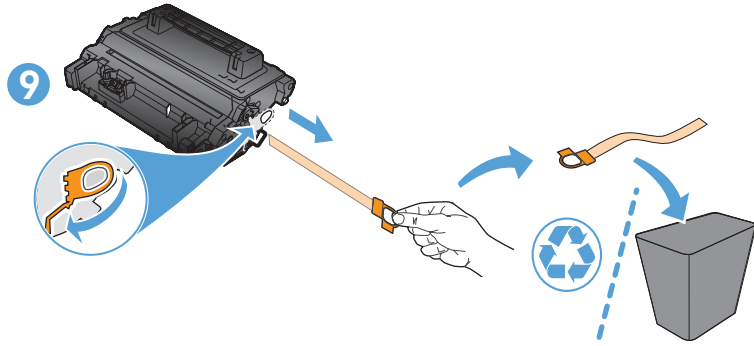
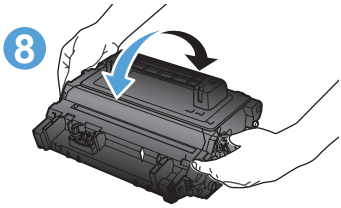
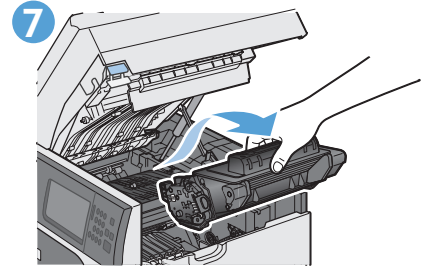
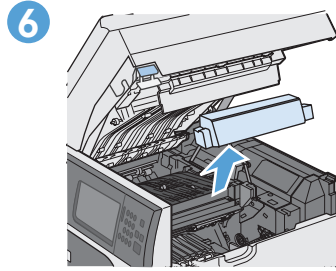
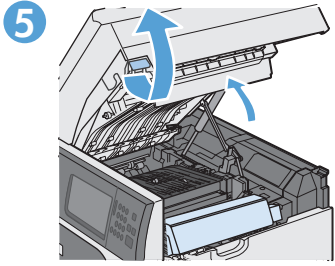


M4555skm

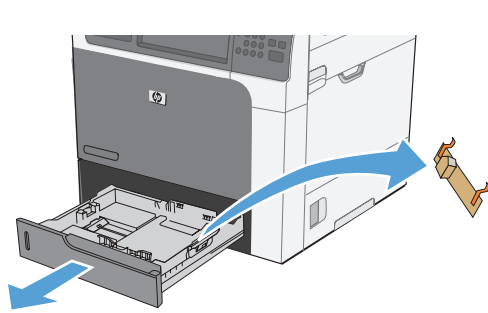


4

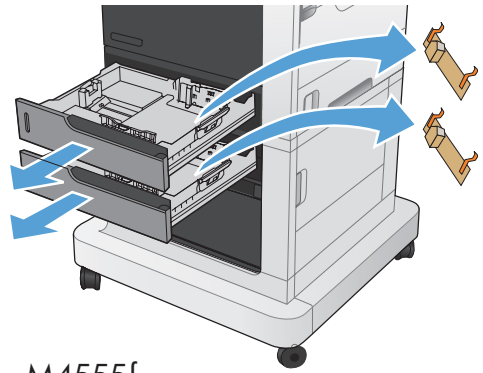




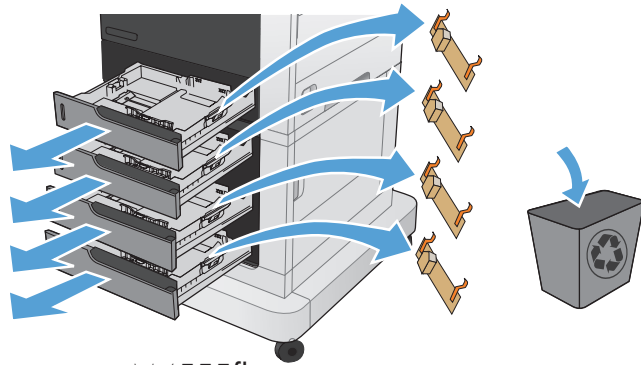
13



M4555, M4555h

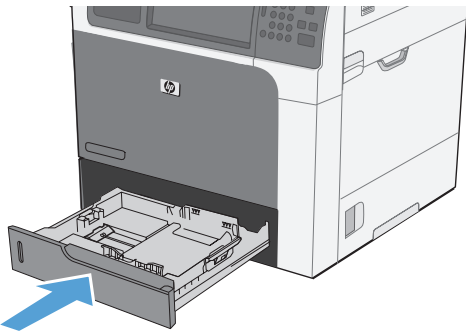


M4555f

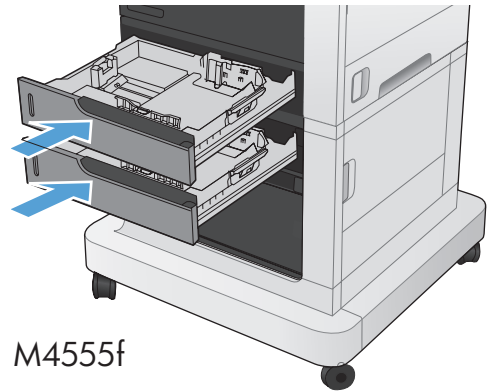


M4555fksm

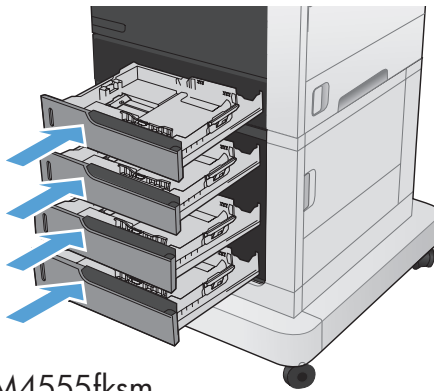
14



M4555, M4555h

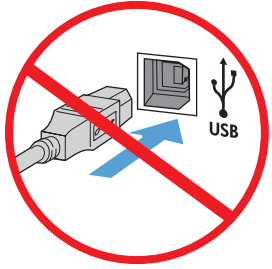


M4555f



M4555fksm

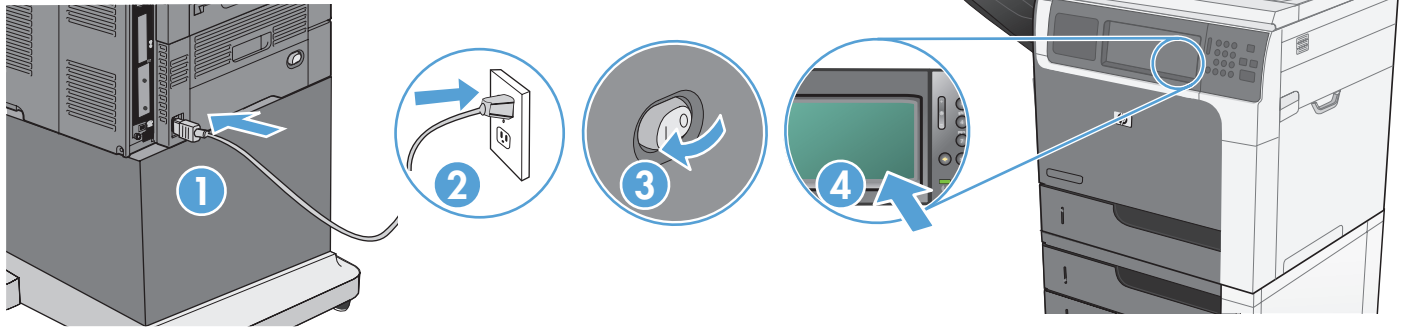
USB 



EN **Caution!** Do not connect the USB cable until prompted during software installation.

HE זהירות! אין לחבר את כבל ה-USB, אלא כאשר תוצג הנחיה לכך, במהלך התקנת התוכנה.

5



EN Connect the power cord between the product and a grounded ac outlet. Turn on the product. On the control panel, set the language and the date/time, if prompted. When the Home screen appears, touch **Initial Setup**, and enable basic product functions.
Note: After you install the software, more advanced setup is available by entering the product IP address in the address bar of a Web browser.
Caution: Make sure your power source is adequate for the product voltage rating. The voltage rating is on the product label. The product uses either 100-127 Vac or 220-240 Vac and 50/60 Hz. To prevent damage to the product, use only the power cord that is provided with the product.

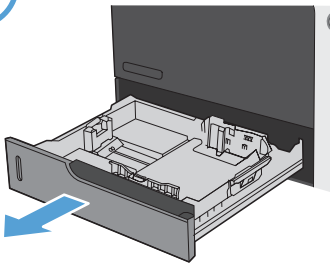
HE חבר את כבל החשמל בין המוצר ושקע AC מוארק. הפעל את המוצר. בלוח הבקרה, הגדר את השפה ואת התאריך/השעה, אם הוצגה הנחיה לכך. כאשר מסך 'דף הבית' מופיע, גע ב'הגדרות ראשוניות' והפעל את פונקציות המוצר הבסיסיות.
הערה: לאחר התקנת התוכנה, תוכל לקבל גישה להגדרות מתקדמות נוספות על-ידי הזנת כתובת ה-IP של המוצר בשורת הכתובת של דפדפן אינטרנט.
זהירות: ודא שמקור המתח שלך מתאים לדירוג המתח של המוצר. דירוג המתח מופיע על תווית המוצר. המוצר משתמש במתח של 100-127 או 220-240 וולט AC תדר 60/50 הרץ. כדי למנוע נזק למוצר, השתמש אך ורק בכבל החשמל שסופק עם המוצר.



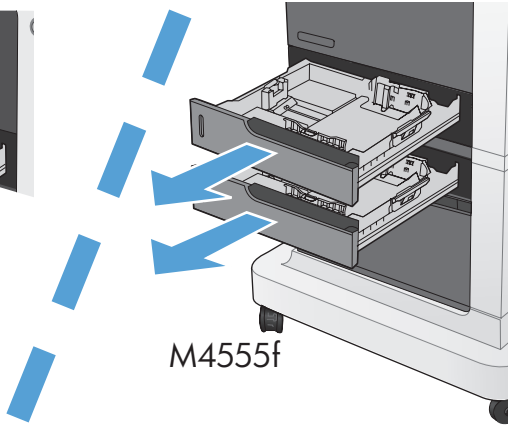


6

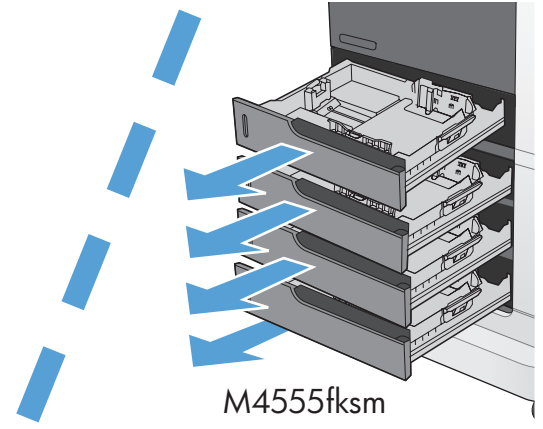
1



M4555,
M4555h

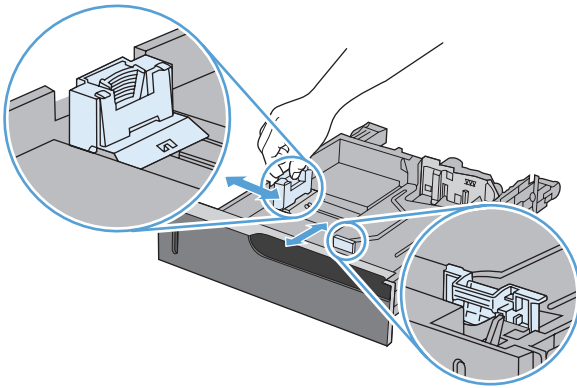


M4555f

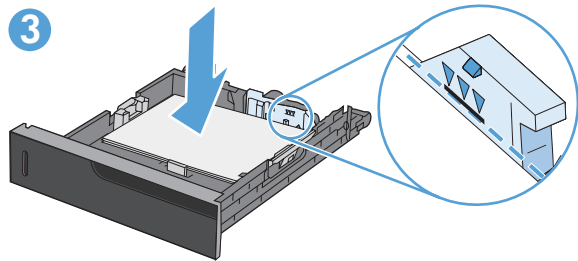


M4555fksm

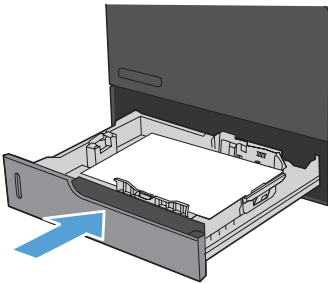
2



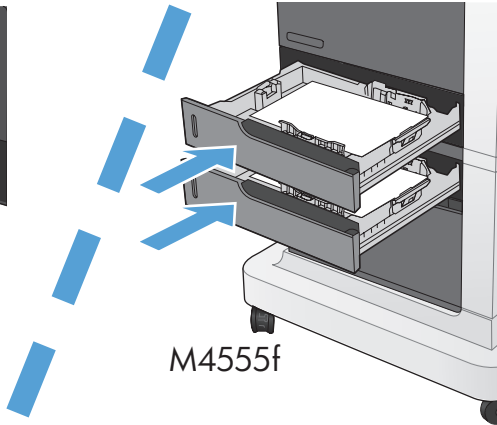
3



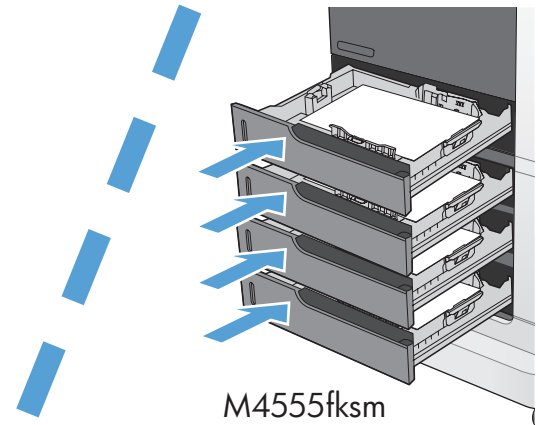
4



M4555,
M4555h



M4555f

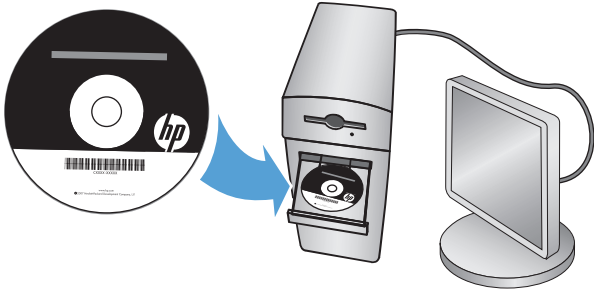


M4555fksm

5



7



EN For more product and problem-solving information go to the User Guide or www.hp.com/support/ljm4555mfp.

למידע נוסף על המוצר ועל פתרון בעיות, עיין במדריך למשתמש או בקר בכתובת
www.hp.com/support/ljm4555mfp.

HE

Copyright and License

© 2011 Copyright Hewlett-Packard Development Company, L.P.

Reproduction, adaptation or translation without prior written permission is prohibited, except as allowed under the copyright laws.

The information contained herein is subject to change without notice.

The only warranties for HP products and services are set forth in the express warranty statements accompanying such products and services. Nothing herein should be construed as constituting an additional warranty. HP shall not be liable for technical or editorial errors or omissions contained herein.

Part number: CE502-90905

Edition 1, 4/2011

FCC Regulations

This equipment has been tested and found to comply with the limits for a Class A digital device, pursuant to Part 15 of the FCC rules. These limits are designed to provide reasonable protection against harmful interference in a residential installation. This equipment generates, uses, and can radiate radio frequency energy, and if not installed and used in accordance with the instruction manual, may cause harmful interference to radio communications. Operation of this equipment in a residential area is likely to cause harmful interference in which case the user will be required to correct the interference at his own expense.

NOTE: Any changes or modifications to the printer that are not expressly approved by HP could void the user's authority to operate this equipment. Use of a shielded interface cable is required to comply with the Class A limits of Part 15 of FCC rules.

Trademark Credits

Windows® is a U.S. registered trademark of Microsoft Corporation.

Copyright and License

© 2011 Copyright Hewlett-Packard Development Company, L.P.

Reproduction, adaptation or translation without prior written permission is prohibited, except as allowed under the copyright laws.

The information contained herein is subject to change without notice.

The only warranties for HP products and services are set forth in the express warranty statements accompanying such products and services. Nothing herein should be construed as constituting an additional warranty. HP shall not be liable for technical or editorial errors or omissions contained herein.

Part number: CE502-90905

Edition 1, 4/2011

FCC Regulations

This equipment has been tested and found to comply with the limits for a Class A digital device, pursuant to Part 15 of the FCC rules. These limits are designed to provide reasonable protection against harmful interference in a residential installation. This equipment generates, uses, and can radiate radio frequency energy, and if not installed and used in accordance with the instruction manual, may cause harmful interference to radio communications. Operation of this equipment in a residential area is likely to cause harmful interference in which case the user will be required to correct the interference at his own expense.

NOTE: Any changes or modifications to the printer that are not expressly approved by HP could void the user's authority to operate this equipment. Use of a shielded interface cable is required to comply with the Class A limits of Part 15 of FCC rules.

Trademark Credits

Windows® is a U.S. registered trademark of Microsoft Corporation.



CE502-90905

