



Compaq 320 Notebook PC

Compaq 321 Notebook PC

Compaq 420 Notebook PC

Compaq 421 Notebook PC

Compaq 620 Notebook PC

Compaq 621 Notebook PC

HP 420 Notebook PC

HP 620 Notebook PC

Maintenance and Service Guide

© Copyright 2009, 2011 Hewlett-Packard
Development Company, L.P

Bluetooth is a trademark owned by its proprietor and used by Hewlett-Packard Company under license. Intel, Core, and Celeron are trademarks of Intel Corporation in the United States and other countries. Microsoft, Windows, and Windows Vista are U.S. registered trademarks of Microsoft Corporation. SD Logo is a trademark of its proprietor.

The information contained herein is subject to change without notice. The only warranties for HP products and services are set forth in the express warranty statements accompanying such products and services. Nothing herein should be construed as constituting an additional warranty. HP shall not be liable for technical or editorial errors or omissions contained herein.

Second Edition: April 2011

Document Part Number: 601871-002

Safety warning notice

⚠ WARNING! To reduce the possibility of heat-related injuries or of overheating the computer, do not place the computer directly on your lap or obstruct the computer air vents. Use the computer only on a hard, flat surface. Do not allow another hard surface, such as an adjoining optional printer, or a soft surface, such as pillows or rugs or clothing, to block airflow. Also, do not allow the AC adapter to contact the skin or a soft surface, such as pillows or rugs or clothing, during operation. The computer and the AC adapter comply with the user-accessible surface temperature limits defined by the International Standard for Safety of Information Technology Equipment (IEC 60950).

Table of contents

1 Product description	1
2 External component identification	10
Top Components	10
TouchPad	10
Lights	11
Buttons, switch, and speaker	13
Keys	14
Front components	16
Right-side components	16
Left-side components	18
Bottom components	19
Multimedia components	20
Wireless antennas (select models only)	22
Additional hardware components	23
3 Illustrated parts catalog	24
Service tag	24
Computer major components	26
Display assembly components	33
Plastics Kit	35
Cables	36
Mass storage devices	37
Miscellaneous parts	39
Sequential part number listing	40
4 Removal and replacement procedures	49
Preliminary replacement requirements	49
Tools required	49
Service considerations	49
Plastic parts	49

Cables and connectors	50
Drive handling	50
Grounding guidelines	51
Electrostatic discharge damage	51
Packaging and transporting guidelines	52
Workstation guidelines	52
Equipment guidelines	53
Component replacement procedures	54
Service tag	54
Computer feet	55
Battery	56
Service door	56
Hard drive	59
Memory module	64
WLAN module	66
Optical drive	68
Fan	69
Heat sink	70
Processor	71
Palm rest	73
Keyboard	78
Top cover	82
Power switch board	87
Bluetooth module	89
USB connector assembly	90
Speaker	92
Display assembly	93
System board	102
Main battery connector	106
RTC battery	108
Modem module	109
Audio board	111
5 Computer Setup	113
Computer Setup in Windows	113
Starting Computer Setup	113
Using Computer Setup	113
Navigating and selecting in Computer Setup	113
Restoring factory settings in Computer Setup	114
Computer Setup menus	115
File menu	115

Security menu	117
System Configuration menu	118
Computer Setup in Linux	123
Starting Computer Setup	123
Using Computer Setup	124
Navigating and selecting in Computer Setup	124
Restoring factory settings in Computer Setup	124
Computer Setup menus	125
File menu	125
Security menu	126
Diagnostics menu	126
System Configuration menu	127
6 Specifications	129
Computer specifications	129
39.6-cm (15.6-in) display specifications	130
35.6-cm (14.0-in) display specifications	132
33.8-cm (13.3-in) display specifications	133
Hard drive specifications	134
DVD-ROM Drive specifications	135
DVD±RW Double-Layer Combo Drive specifications	136
7 Backup and recovery	137
Backup and recovery in Windows 7	137
Overview	137
Backing up your information	137
Performing a recovery	139
Using the Windows recovery tools	139
Using f11	140
Using a Windows 7 operating system DVD (purchased separately)	140
Backup and recovery in Windows Vista	141
Overview	141
Backing up your information	141
Performing a recovery	142
Using the Windows recovery tools	143
Using f11	143
Using a Windows Vista operating system DVD (purchased separately)	144
Backup and recovery in Windows XP	145
Overview	145
Backing up your information	145
Performing a recovery	146

Recovering your information	146
Recovering the operating system and programs	146
8 Connector pin assignments	148
Audio-in (microphone)	148
Audio-out (headphone)	148
External monitor	149
HDMI	150
RJ-11 (modem)	151
RJ-45 (network)	152
Universal Serial Bus	152
9 Power cord set requirements	153
Requirements for all countries and regions	153
Requirements for specific countries and regions	154
10 Recycling	155
Battery	155
Display	155
Index	161

1 Product description

Category	Description	UMA graphics, GL40 chipset	UMA graphics, GM45 chipset	Discrete graphics, PM45 chipset	
Product Name	Compaq 320 Notebook PC	√	√		
	Compaq 321 Notebook PC			√	
	Compaq 420 Notebook PC	√	√		
	Compaq 421 Notebook PC			√	
	Compaq 620 Notebook PC	√	√		
	Compaq 621 Notebook PC			√	
	HP 420 Notebook PC	√	√		
	HP 620 Notebook PC	√	√		
	Processors	Intel® Celeron® processors			
		T3300, 2.00-GHz, 800-MHz FSB, 1-MB cache	√		
T3100, 1.90-GHz, 800-MHz FSB, 1-MB cache		√			
T3000, 1.80-GHz, 800-MHz FSB, 1-MB cache		√			
T1700, 1.83-GHz, 667-MHz FSB, 1-MB cache		√			
T1600, 1.66-GHz, 667-MHz FSB, 1-MB cache		√			
900, 2.20-GHz, 800-MHz FSB, 1-MB cache		√		√	
Intel® Pentium® processor					
T4400, 2.20-GHz, 800-MHz FSB, TJ 100		√		√	
T4300, 2.10-GHz, 800-MHz FSB, TJ 100		√		√	
T4200, 2.00-GHz, 800-MHz FSB, TJ 100		√		√	
Intel® Core™ 2 Duo processor					

Category	Description	UMA graphics, GL40 chipset	UMA graphics, GM45 chipset	Discrete graphics, PM45 chipset
	T5870, 2.00-GHz, 800-MHz FSB, 2-MB cache		√	√
	P7570, 2.26-GHz, 1066-MHz FSB, 3-MB cache		√	√
	P7370, 2.00-GHz, 1066-MHz FSB, 3-MB cache		√	√
	T6670, 2.20-GHz, 800-MHz FSB, 2-MB cache		√	√
	T6570, 2.10-GHz, 800-MHz FSB, 2-MB cache		√	√
Chipsets	Intel GL40 with 667-MH FSB	√		
	Intel GM45 with up to 1066-MHz FSB		√	
	Intel PM45 with up to 1066-MHz FSB			√
	ICH-9M Southbridge	√	√	√
Graphics	Intel GMA 4500M Universal Memory Architecture (UMA) graphics subsystem integrated with shared video memory (dynamically allocated)	√		
	Intel GMA 4500MHD Universal Memory Architecture (UMA) graphics subsystem integrated with shared video memory (dynamically allocated)		√	
	ATI Mobility Radeon HD 530v with 512-MB memory			√
	ATI Mobility Radeon HD 5470v with 512-MB memory			√
Panels	All display assemblies support privacy filter	√	√	√
	33.8-cm (13.3-in) HD LED backlight panel:	√	√	√
	<ul style="list-style-type: none"> • 1366×768 AntiGlare • 1366×768 AntiGlare for webcam • 1366×768 BrightView • 1366×768 BrightView for Webcam 			

Category	Description	UMA graphics, GL40 chipset	UMA graphics, GM45 chipset	Discrete graphics, PM45 chipset
	35.6-cm (14.0-in) HD LED backlight panel: <ul style="list-style-type: none"> 1366×768 AntiGlare 1366×768 AntiGlare for webcam 1366×768 BrightView 1366×768 BrightView for Webcam 	√	√	√
	39.6-cm (15.6-in) HD LED backlight panel: <ul style="list-style-type: none"> 1366×768 AntiGlare 1366×768 AntiGlare for webcam 1366×768 BrightView 1366×768 BrightView for Webcam 	√	√	√
Memory	2 customer-accessible/upgradable memory module slots	√	√	√
	Supports dual-channel memory	√	√	√
	Supports up to 4 GB of system RAM	√	√	√
	PC3-10600, 1333-MHz, DDR3	√	√	√
	Supports the following configurations in all countries and regions: <ul style="list-style-type: none"> 4096-MB total system memory (4096-MB × 1) 4096-MB total system memory (2048-MB × 2, dual-channel) 3072-MB total system memory (2048-MB + 1024-MB, dual-channel) 2048-MB total system memory (2048-MB × 1) 2048-MB total system memory (1024-MB × 2, dual-channel) 1024-MB total system memory (1024-MB × 1) 	√	√	√
Hard drives	Supports 7.0 and 9.5-mm, 6.35-cm (2.50-in) hard drives	√	√	√
	Customer-accessible	√	√	√
	Serial ATA	√	√	√

Category	Description	UMA graphics, GL40 chipset	UMA graphics, GM45 chipset	Discrete graphics, PM45 chipset
	Supports the following drives: <ul style="list-style-type: none"> • 500-GB, 7200-rpm • 500-GB, 5400-rpm • 320-GB, 7200-rpm • 320-GB, 5400-rpm • 250-GB, 7200-rpm • 250-GB, 5400-rpm • 160-GB, 7200-rpm • 160-GB, 5400-rpm 	√	√	√
	HP DriveGuard (not available on Linux)	√	√	√
Optical drives	Fixed, no modular requirements	√	√	√
	SATA 12.7-mm tray load	√	√	√
	Supports option of no optical drive	√	√	√
	Supports the following drives: <ul style="list-style-type: none"> • DVD-ROM Drive • DVD±RW SuperMulti Double-Layer Combo Drive with Lightscribe 	√	√	√
Diskette drive	Supports external USB diskette drive only	√	√	√
Audio/Visual	IDT 92HD88	√	√	√
	Integrated microphone	√	√	√
	Single speaker	√	√	√
	Headphone and microphone jacks	√	√	√
	Integrated 2MP camera with fixed focus (select models only)	√	√	√
Modem	56K V.92 3.8 cm (1.5-in) data/fax modem	√	√	√
	Supports no modem option	√	√	√
	For use in all countries and regions except APJ	√	√	√
	For use in APJ only	√	√	√
	Modem cable not included	√	√	√
Ethernet	10/100 Ethernet network interface card (NIC)	√	√	√

Category	Description	UMA graphics, GL40 chipset	UMA graphics, GM45 chipset	Discrete graphics, PM45 chipset
	S3/S4/S5 wake on LAN: AC only mode	√	√	√
	Ethernet cable not included	√	√	√
Wireless	Integrated WLAN options by way of MiniPCI card:			
	2 WLAN antennas built into display assembly	√	√	√
	Supports option for no-WLAN	√	√	√
	Support for the following WLAN formats:	√	√	√
	<ul style="list-style-type: none"> • Broadcom 802.11b/g • Broadcom 802.11b/g/n (1 x 1) • Atheros 802.11 b/g/n (1 x 1) • Ralink 802.11b/g/n • Realtek 802.11 b/g/n (1 x 1) • Intel 802.11 b/g/n (1 x 2) 			
	Integrated wireless personal area network (WPAN) options by way of Bluetooth® module:			
	Support option for no-WPAN	√	√	√
	Bluetooth 2.1	√	√	√
External media cards	One ExpressCard/33-mm	√	√	√
	Media Card Reader supporting Secure Digital (SD) Memory Card, Secure Digital High Capacity (SDHC) Memory Card, MultiMediaCard (MMC) formats	√	√	√
Ports	Audio-in (microphone)	√	√	√
	Audio-out (stereo headphone)	√	√	√
	RJ-11 (modem)	√	√	√
	RJ-45 (Ethernet, includes link and activity lights)	√	√	√
	USB 2.0 (3)	√	√	√
	HP non-Smart adapter	√	√	√
	VGA (Dsub 15-pin) supporting 1600 x 1200 external resolution at 75-GHz (hot plug/unplug with auto-detect)	√	√	√
	Multi-pin AC power	√	√	√
	HDMI	√	√	√

Category	Description	UMA graphics, GL40 chipset	UMA graphics, GM45 chipset	Discrete graphics, PM45 chipset
Keyboard/ pointing devices	39.6-cm (15.6-in) keyboard with TouchPad	√	√	√
	35.6-cm (14.0-in)/ 33.8-cm (13.3-in) keyboard with TouchPad	√	√	√
	Supports 2-way scroll with legend and gestures (taps enabled as default)	√	√	√
Power requirements	65-W non-Smart AC adapter	√	√	
	90-W non-Smart AC adapter			√
	6-cell, 47-Wh Li-ion battery	√	√	√
	9-cell, 93-Wh Li-ion battery	√	√	√
Security	Supports Kensington security lock	√	√	√
Operating system	Preinstalled with Microsoft Office:	√	√	√
	Windows 7 Home Premium 32 with Office 2010 Starter – EDGI	√	√	√
	Windows 7 Home Premium 64 with Office 2010 Starter (excludes Japan)	√	√	√
	Windows 7 Home Premium 64 with Office 2010 Starter – EDGI	√	√	√
	Windows 7 Home Premium 32 with Office 2007 Personal (Japan only)	√	√	√
	Windows 7 Home Premium 32 with Office 2007 Personal with PowerPoint (Japan only)	√	√	√
	Windows 7 Home Premium 32 with Office 2007 Professional (Japan only)	√	√	√
	Windows 7 Home Premium 32 with Office 2010 Home and Business (Japan only)	√	√	√
	Windows 7 Home Premium 64 with Office 2010 Personal (Japan only)	√	√	√
	Windows 7 Home Premium 64 with Office 2010 Home and Business (Japan only)	√	√	√
	Windows 7 Home Premium 64 with Office 2007 Professional (Japan only)	√	√	√
	Windows 7 Professional 32 with Office 2010 Starter (excludes Japan)	√	√	√
	Windows 7 Professional 32 with Office 2010 Starter – MSNA	√	√	√

Category	Description	UMA graphics, GL40 chipset	UMA graphics, GM45 chipset	Discrete graphics, PM45 chipset
	Windows 7 Professional 32 with Office 2010 Starter – EDGI	√	√	√
	Windows 7 Professional 64 with Office 2010 Starter (excludes Japan)	√	√	√
	Windows Vista Home Basic 32 with Office 2010 Starter (excludes Japan)	√	√	√
	Windows 7 Professional 32 with Office 2007 Personal (Japan only)	√	√	√
	Windows 7 Professional 32 with Office 2007 Personal with PowerPoint (Japan only)	√	√	√
	Windows 7 Professional 32 with Office 2007 Professional (Japan only)	√	√	√
	Windows 7 Professional 32 with Office 2010 Personal (Japan only)	√	√	√
	Windows 7 Professional 32 with Office 2010 Home and Business (Japan only)	√	√	√
	Windows 7 Professional 64 with Office 2010 Personal (Japan only)	√	√	√
	Windows 7 Professional 64 with Office 2010 Home and Business (Japan only)	√	√	√
	Windows 7 Professional 64 with Office 2007 Professional (Japan only)	√	√	√
	Windows Vista Home Basic 32 with Office 2007 Personal (Japan only)	√	√	√
	Windows Vista Home Basic 32 with Office 2007 Professional and PowerPoint (Japan only)	√	√	√
	Windows Vista Home Basic 32 with Office 2010 Personal (Japan only)	√	√	√
	Windows Vista Home Basic 32 with Office 2007 Professional (Japan only)	√	√	√
	Windows Vista Home Basic 32 with Office 2010 Home and Business (Japan only)	√	√	√
	Windows Vista Home Basic 32 with Office 2010 Professional (Japan only)	√	√	√
	Windows 7 Starter with Office 2007 ready (excludes Japan)	√	√	√
	Windows 7 Starter 32 with Office 2010 Starter– EDGI	√	√	√

Category	Description	UMA graphics, GL40 chipset	UMA graphics, GM45 chipset	Discrete graphics, PM45 chipset
	Windows 7 Home Basic 32 with Office 2007 ready (excludes Japan)	√	√	√
	Windows 7 Home Basic 32 with Office 2010 Starter	√	√	√
	Windows 7 Home Premium 32 with Office 2010 Starter (excludes Japan)	√	√	√
	Windows 7 Professional 64 with Office 2010 Starter- EDGI	√	√	√
	Windows 7 Professional 32 with XP Pro images with Office 2007 ready (excludes Japan)	√	√	√
	Windows 7 Professional 32 with XP Pro images with Office 2007 ready – EDGI	√	√	√
	Windows 7 Professional 32 with XP Pro images with Office 2007 Personal (Japan only)	√	√	√
	Windows 7 Professional 32 with XP Pro images with Office 2007 Personal with PowerPoint (Japan only)	√	√	√
	Windows 7 Professional 32 with XP Pro images with Office 2007 Professional (Japan only)	√	√	√
	Preinstalled:			
	Windows 7 Professional 32 with MS Basics (Japan only)	√	√	√
	Windows 7 Home Premium 32 with MS Basics (Japan only)	√	√	√
	Windows 7 Home Premium 64 with MS Basics (Japan only)	√	√	√
	Windows Vista Home Basic 32 with MS Basics (Japan only)	√	√	√
	Windows 7 Professional 32 (with XP Professional images) with MS Basics (Japan only)	√	√	√
	Windows 7 Home Professional 64 with MS Basics (Japan only)	√	√	√
	FreeDOS	√	√	√
	RedFlag Linux (People's Republic of China only)	√	√	√
	SuSE Linux	√	√	√

Category	Description	UMA graphics, GL40 chipset	UMA graphics, GM45 chipset	Discrete graphics, PM45 chipset
	Restore media:			
	Windows 7 Home Basic 32	√	√	√
	Windows 7 Home Premium 32	√	√	√
	Windows 7 Home Premium 64	√	√	√
	Windows 7 Starter	√	√	√
	Windows Vista Basic 32	√	√	√
	Windows 7 Professional 32	√	√	√
	Windows 7 Professional 64	√	√	√
	DRDVD Windows 7 – Home Premium/Pro	√	√	√
	DRDVD Windows 7 – Starter/Home Basic	√	√	√
	Windows XP Professional	√	√	√
	SRDVD SuSE Linux	√	√	√
	Red Flag Linux (People's Republic of China only)	√	√	√
	DRDVD Windows Vista	√	√	√
	DRDVD Windows XP Pro	√	√	√
	Certified:			
	Microsoft® WHQL	√	√	√
	SuSE Linux	√	√	√
	Web Support:			
	All Windows Vista 64 versions	√	√	√
	Windows 7 Professional 64 versions	√	√	√
	SuSE Linux	√	√	√
Serviceability	End-user replaceable parts:			
	AC adapter	√	√	√
	Battery (system)	√	√	√
	Hard drive	√	√	√
	Memory module	√	√	√
	Keyboard	√	√	√
	Optical drive	√	√	√
	WLAN module	√	√	√

2 External component identification


Top Components

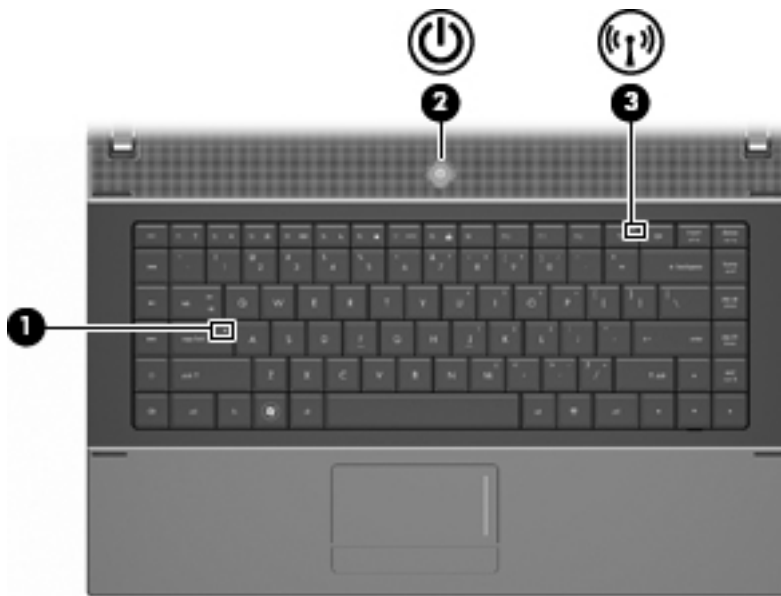
TouchPad



Component	Description
(1) TouchPad *	Moves the pointer and selects or activates items on the screen.
(2) TouchPad button	The left and right sides of the single button function like the left and right buttons on an external mouse.
(3) TouchPad scroll zone	Scrolls up or down.

Lights

 **NOTE:** Refer to the illustration that most closely matches your computer.



Component	Description
(1) Caps lock light	On: Caps lock is on.

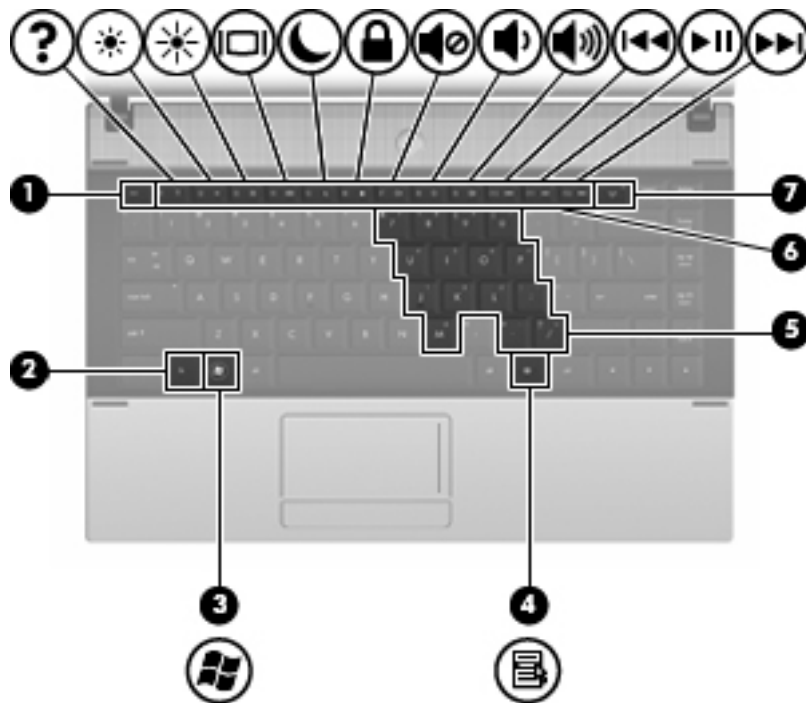
Component	Description
(2) Power light	<ul style="list-style-type: none">• On: The computer is on.• Blinking: The computer is in the Suspend state.• Off: The computer is off or in Hibernation.
(3) Wireless light	<ul style="list-style-type: none">• White: An integrated wireless device, such as a wireless local area network (WLAN) device is on.• Amber: All wireless devices are off.

Buttons, switch, and speaker

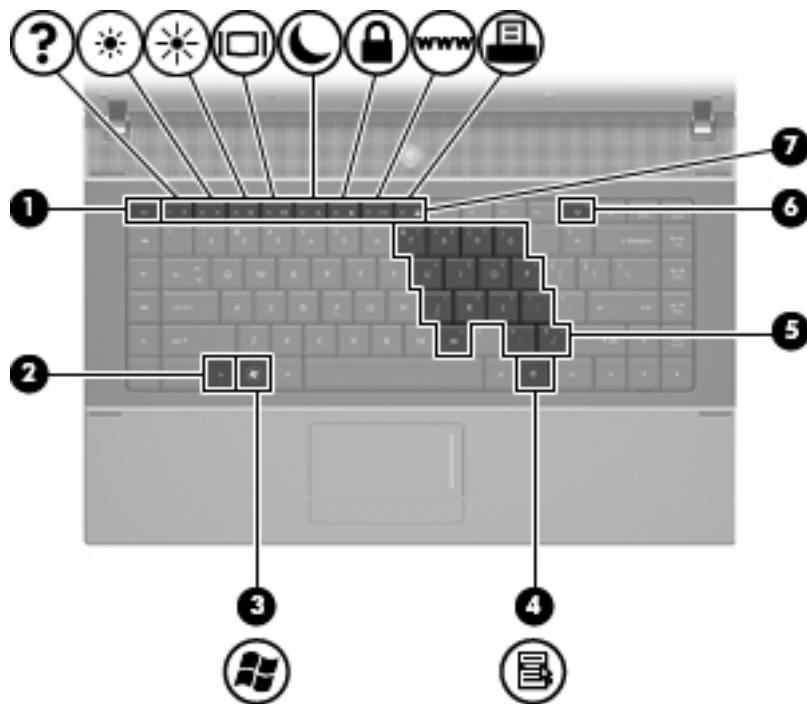


Component	Description
(1) Speaker	Produces sound.
(2) Internal display switch	Turns off the display if the panel lid is closed while the power is on.
(3) Power button	<ul style="list-style-type: none">• When the computer is off, press the button to turn on the computer.• When the computer is on, press the button to shut down the computer.• When the computer is in the Suspend state, press the button briefly to exit Suspend.• When the computer is in Hibernation, press the button briefly to exit Hibernation. <p>If the computer has stopped responding and Windows shutdown procedures are ineffective, press and hold the power button for at least 5 seconds to turn off the computer.</p>

Keys

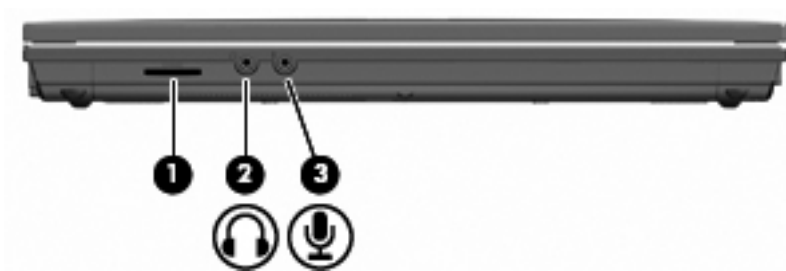


Component	Description
(1) <code>esc</code> key	Displays system information when pressed in combination with the <code>fn</code> key.
(2) <code>fn</code> key	Executes frequently used system functions when pressed in combination with a function key, the <code>num lk</code> key, or the <code>esc</code> key.
(3) Wireless key	Because the wireless devices are enabled at the factory, use the wireless key to turn on or turn off the wireless devices simultaneously.
(4) Function keys	Execute frequently used system functions when pressed in combination with the <code>fn</code> key.
(5) Embedded numeric keypad keys	Can be used like the keys on an external numeric keypad when pressed in combination with the <code>fn</code> and the <code>num lk</code> keys.



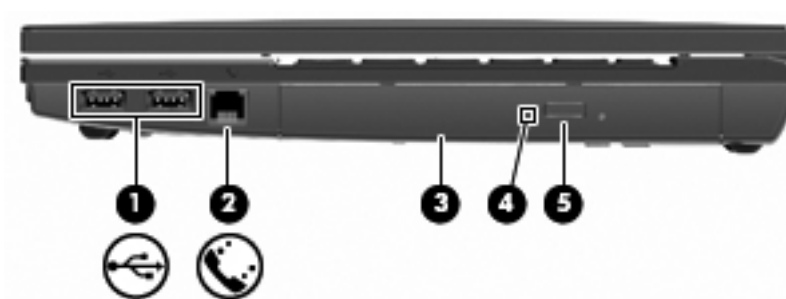
Component	Description
(1) <code>esc</code> key	Displays system information when pressed in combination with the <code>fn</code> key.
(2) <code>fn</code> key	Executes frequently used system functions when pressed in combination with a function key, the <code>num lk</code> key, or the <code>esc</code> key.
(3) Function keys	Execute frequently used system functions when pressed in combination with the <code>fn</code> key.
(4) Embedded numeric keypad keys	Can be used like the keys on an external numeric keypad when pressed in combination with the <code>fn</code> and the <code>num lk</code> keys.
(5) Wireless key	Because the wireless devices are enabled at the factory, use the wireless key to turn on or turn off the wireless devices simultaneously.

Front components



Component	Description
(1) SD Card Reader	Supports the following optional digital card formats: <ul style="list-style-type: none">• MultiMediaCard (MMC)• MultiMediaCard 4.2 (MMC Plus, including MMC Plus HC)• Secure Digital (SD) Memory Card• Secure Digital High Capacity (SDHC) Memory Card• Secure Digital High Speed (SDHS) Memory Card
(2) Audio-out (headphone) jack	Produces sound when connected to optional powered stereo speakers, headphones, ear buds, a headset, or television audio. NOTE: When a device is connected to the headphone jack, the computer speakers are disabled.
(3) Audio-in (microphone) jack	Connects an optional computer headset microphone, stereo array microphone, or monaural microphone.

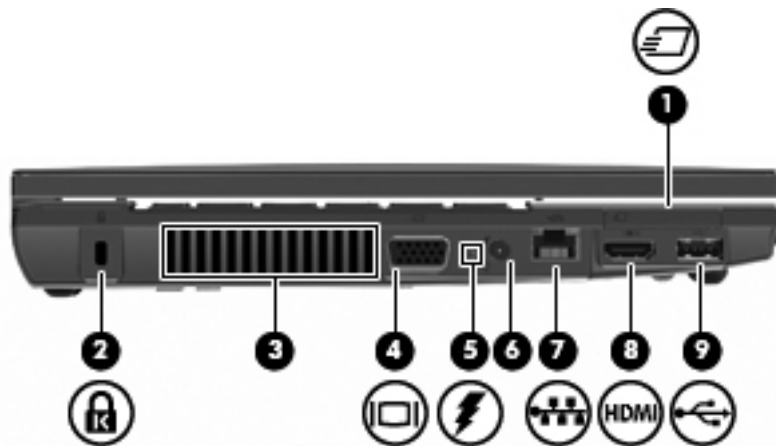
Right-side components



Component	Description
(1) USB ports (2)	Connect optional USB devices.
(2) RJ-11 (modem) jack (select models only)	Connects a modem cable.
(3) Optical drive (select models only)	Reads optical discs and, on select models, also writes to optical discs.

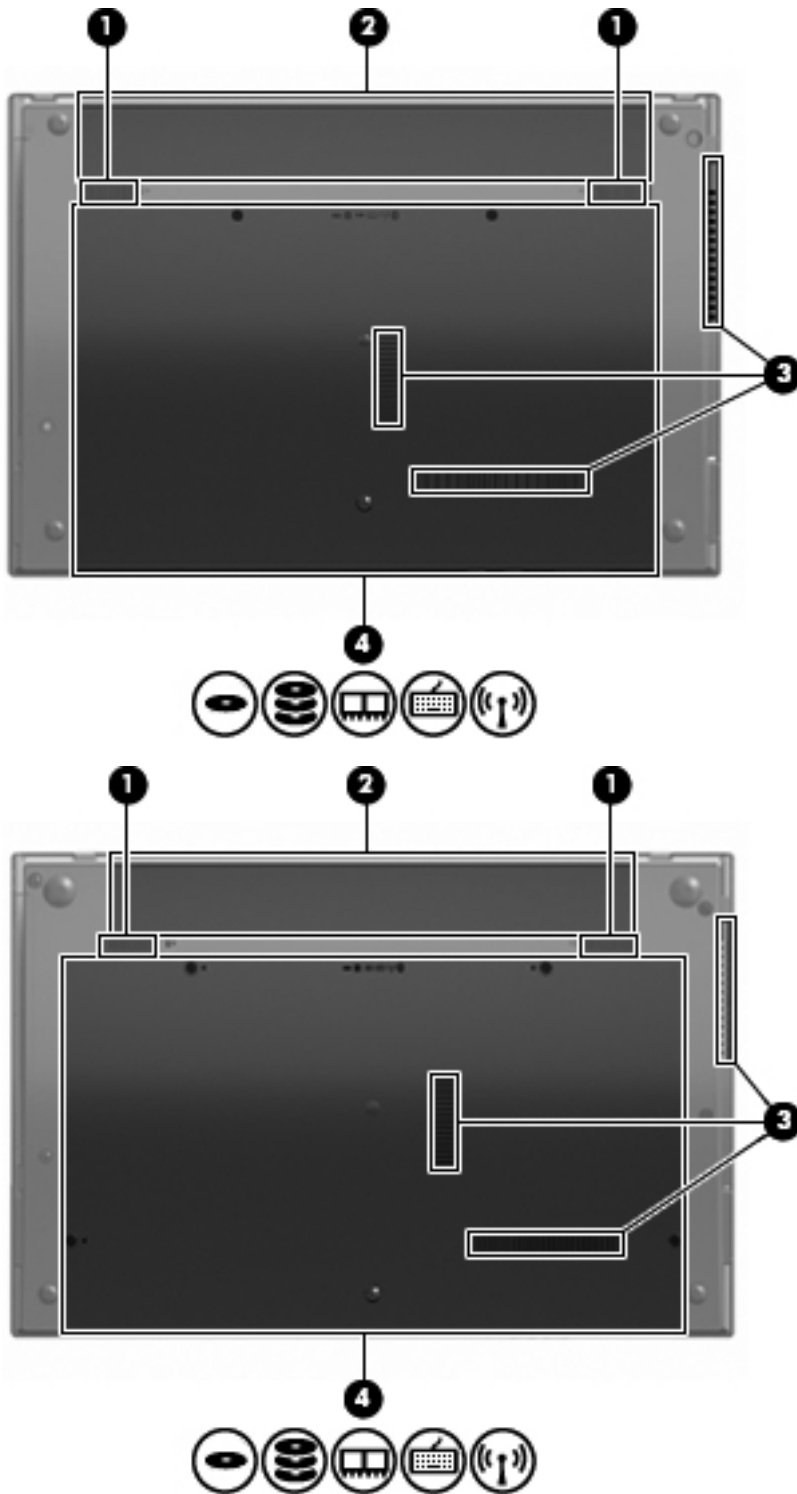
Component	Description
(4) Optical drive light (select models only)	Blinking: The optical drive is being accessed.
(5) Optical drive button (select models only)	Opens the optical drive tray.

Left-side components



Component	Description
(1) ExpressCard slot	Supports optional ExpressCards.
(2) Security cable slot	Attaches an optional security cable to the computer. NOTE: The security cable is designed to act as a deterrent, but it may not prevent the computer from being mishandled or stolen.
(3) Vent	Enables airflow to cool internal components. NOTE: The computer fan starts up automatically to cool internal components and prevent overheating. It is normal for the internal fan to cycle on and off during routine operation.
(4) External monitor port	Connects an external VGA monitor or projector.
(5) Battery light	<ul style="list-style-type: none">Amber: A battery is charging.Turquoise: A battery is close to full charge capacity.Blinking amber: A battery that is the only available power source has reached a low battery level. When the battery reaches a critical battery level, the battery light begins blinking rapidly.Off: If the computer is plugged into an external power source, the lights turn off when all batteries in the computer are fully charged. If the computer is not plugged into an external power source, the light stays off until the battery reaches a low battery level.
(6) Power connector	Connects an AC adapter.
(7) RJ-45 (network) jack	Connects a network cable.
(8) HDMI port	Connects an optional HDMI device.
(9) USB port (1)	Connects optional USB device.

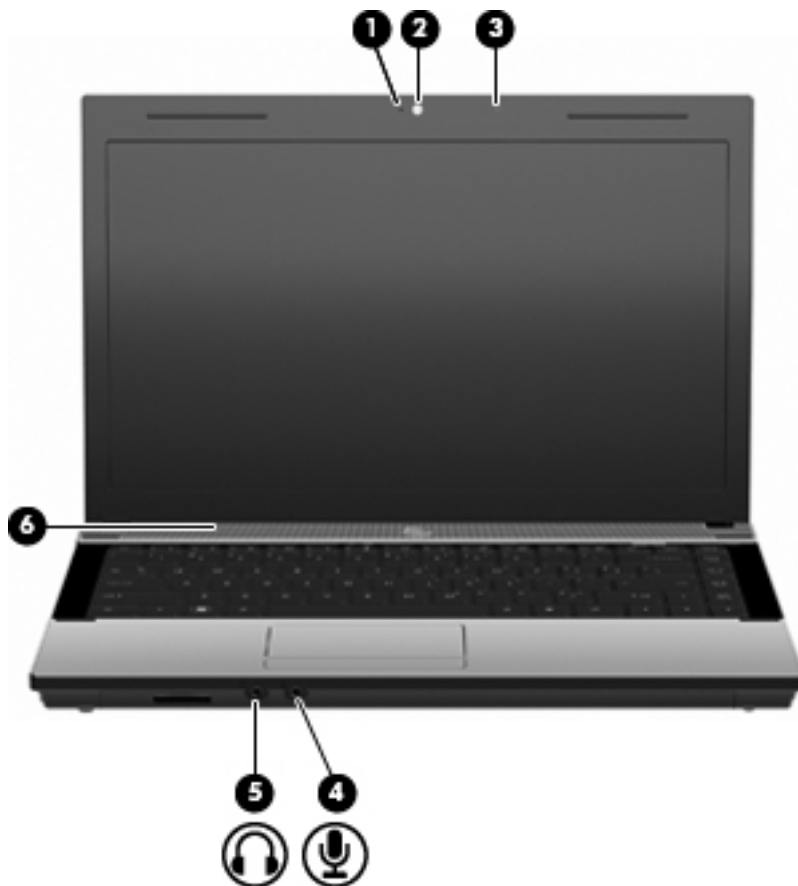
Bottom components



Component	Description
(1) Battery release latches (2)	Release the battery from the battery bay.
(2) Battery bay	Holds the battery.

Component	Description
(3) Vents (3)	Enable airflow to cool internal components. NOTE: The computer fan starts up automatically to cook internal components and prevent overheating. It is normal for the internal fan to cycle on and off during routine operation.
(4) Memory module compartment	Contains the memory module slot.
WLAN module compartment	Contains the wireless LAN module slot. CAUTION: To prevent an unresponsive system and the display of a warning message, replace the WLAN module with only a module authorized for use in the computer by the governmental agency that regulates wireless devices in your country. If you replace the module and then receive a warning message, remove the module to restore computer functionality, and then contact technical support.
Hard drive bay	Holds the hard drive.

Multimedia components



Component	Description
(1) Webcam light (select models only)	On: The webcam is in use.
(2) Webcam (select models only)	Records audio and video and captures still photographs.
(3) Integrated microphone	Records sound.
(4) Audio-in (microphone) jack	Connects an optional computer headset microphone, stereo array microphone, or monaural microphone.
(5) Audio-out (headphone) jack	Produces sound when connected to optional powered stereo speakers, headphones, ear buds, a headset, or television audio. NOTE: When a device is connected to the headphone jack, the computer speakers are disabled.
(6) Speaker	Produces sound.

Wireless antennas (select models only)

On select computer models, at least 2 antennas send and receive signals from one or more wireless devices. These antennas are not visible from outside of the computer.



NOTE: For optimal transmission, keep the areas immediately around the antennas free from obstructions.

To see wireless regulatory notices, refer to the section of the *Regulatory, Safety and Environmental Notices* that applies to your country or region. These notices are located in Help and Support.

Component	Description
(1) WWAN antennas (2)* (select models only)	Send and receive wireless signals to communicate with wireless wide-area networks (WWAN).
(2) WLAN antennas (2)*	Send and receive wireless signals to communicate with wireless local area networks (WLAN).

*The antennas are not visible from the outside of the computer. For optimal transmission, keep the areas immediately around the antennas free from obstructions.

To see wireless regulatory notices, refer to the section of *Regulatory, Safety and Environmental Notices* that apply to your country or region. These notices are located in Help and Support.

Additional hardware components



Component	Description
(1) Power cord*	Connects an AC adapter to an AC outlet.
(2) Battery*	Powers the computer when the computer is not plugged into external power.
(3) AC adapter	Converts AC power to DC power.

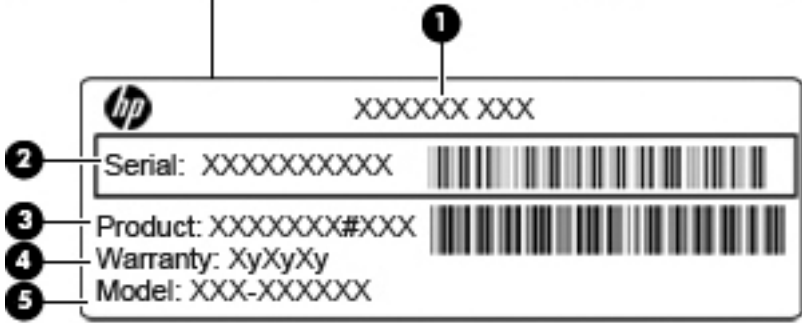
*Batteries and power cords vary in appearance by country or region.

3 Illustrated parts catalog

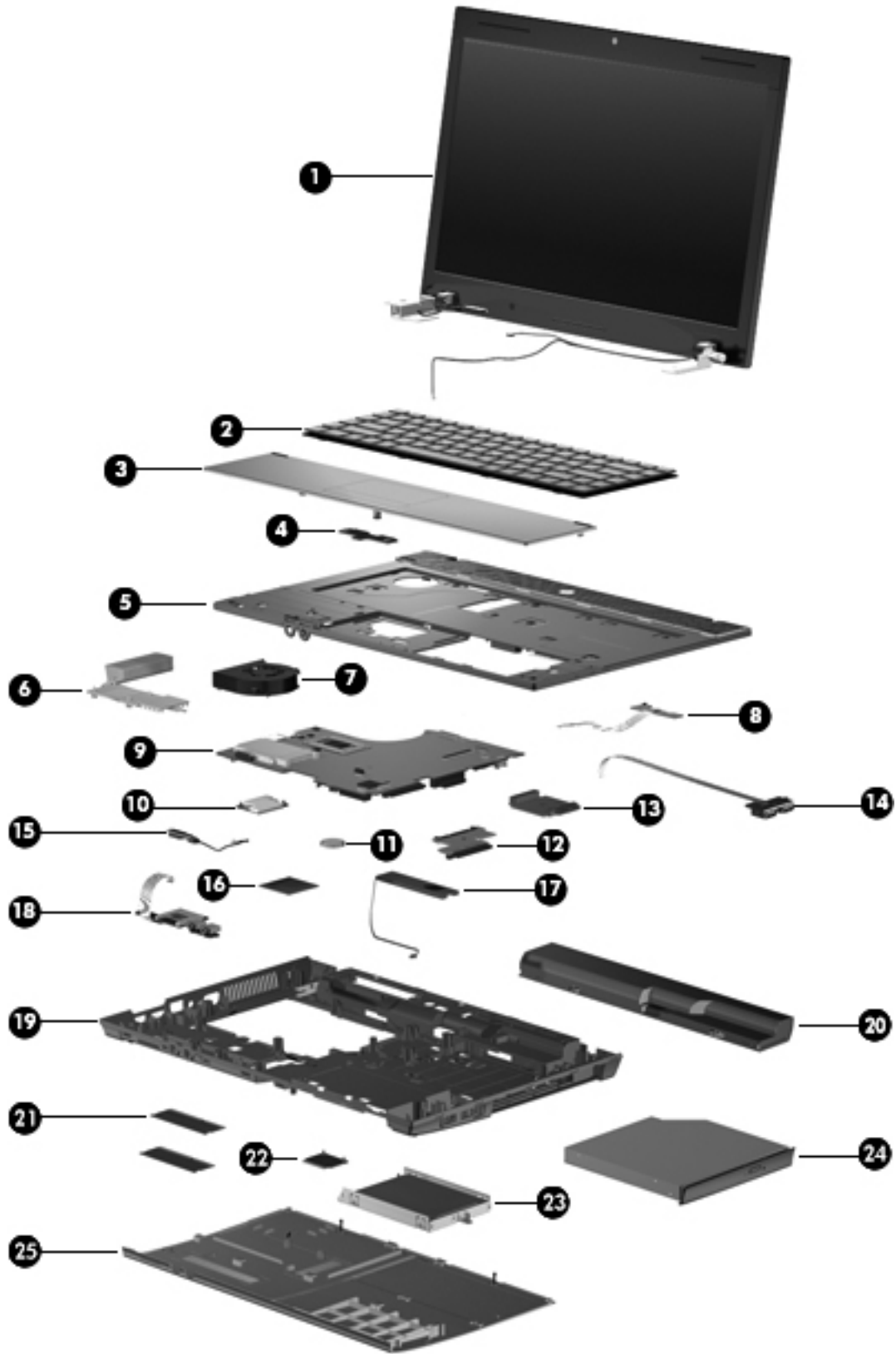
Service tag

When ordering parts or requesting information, provide the computer serial number and model description provided on the service tag.

- (1)** Product name: This is the product name affixed to the front of the computer.
- (2)** Serial number (s/n): This is an alphanumeric identifier that is unique to each product.
- (3)** Part number/Product number (p/n): This number provides specific information about the product's hardware components. The part number helps a service technician to determine what components and parts are needed.
- (4)** Model description: This is the alphanumeric identifier used to locate documents, drivers, and support for your computer.
- (5)** Warranty period: This number describes the duration of the warranty period for this computer.



Computer major components



Item	Description	
(1)	Display assembly (includes microphone, 2 WLAN antenna transceivers and cables and, on select computer models, 2 WWAN antenna transceivers and cables)	
	39.6-cm (15.6-in) HD AntiGlare display assembly for use in computers equipped without webcam (1366×768 resolution)	605801-001
	39.6-cm (15.6-in) HD AntiGlare display assembly for use in computers equipped with webcam (1366×768 resolution)	605802-001
	39.6-cm (15.6-in) HD BrightView display assembly for use in computers without webcam (1366×768 resolution)	605803-001
	39.6-cm (15.6-in) HD BrightView display assembly for use in computers with webcam (1366×768 resolution)	605804-001
	39.6-cm (15.6-in) HD AntiGlare display assembly for use in computers equipped with webcam, red (1366×768 resolution)	626124-001
	39.6-cm (15.6-in) HD AntiGlare display assembly for use in computers equipped without webcam, red (1366×768 resolution)	626123-001
	39.6-cm (15.6-in) HD BrightView display assembly with LED back lighting for use in computers equipped with webcam, red (1366×768 resolution)	626126-001
	39.6-cm (15.6-in) HD BrightView display assembly for use in computers equipped without webcam, red (1366×768 resolution)	626125-001
	35.6-cm (14.0-in) HD AntiGlare display assembly for use in computers without webcam (1366×768 resolution)	605805-001
	35.6-cm (14.0-in) HD AntiGlare display assembly for use in computers equipped with webcam (1366×768 resolution)	605806-001
	35.6-cm (14.0-in) HD BrightView display assembly for use in computers without webcam (1366×768 resolution)	605807-001
	35.6-cm (14.0-in) HD BrightView display assembly for use in computers equipped with webcam (1366×768 resolution)	605808-001
	33.8-cm (13.3-in) HD AntiGlare display assembly for use in computers with WLAN but without webcam (1366×768 resolution)	605809-001
	33.8-cm (13.3-in) HD AntiGlare display assembly for use in computers with WLAN and webcam (1366×768 resolution)	605810-001
	33.8-cm (13.3-in) HD BrightView display assembly for use in computers with WLAN but without webcam (1366×768 resolution)	605811-001
	33.8-cm (13.3-in) HD BrightView display assembly for use in computers with WLAN and webcam (1366×768 resolution)	605812-001
	33.8-cm (13.3-in) HD AntiGlare display assembly for use in computers with WLAN and webcam, red (1366×768 resolution)	616598-001
	33.8-cm (13.3-in) HD AntiGlare display assembly for use in computers with WLAN and without webcam, red (1366×768 resolution)	616597-001
	33.8-cm (13.3-in) HD BrightView display assembly for use in computers with WLAN and without webcam, red (1366×768 resolution)	616599-001

Item	Description	
	33.8-cm (13.3-in) HD BrightView display assembly with LED back lighting for use in computers with WLAN and webcam, red (1366x768 resolution)	616600-001
(2)	Keyboard	
	NOTE: For a detailed list of available keyboards, see Sequential part number listing on page 40 .	
	For use in 33.8-cm (13.3-in) and 35.6-cm (14.0-in) computers	605813-xxx
	For use in 39.6-cm (15.6-in) computers	605814-xxx
(3)	Palm rest (includes TouchPad but not TouchPad board and cables)	
	For use in Compaq 33.8-cm (13.3-in) computers	605779-001
	For use in Compaq 33.8-cm (13.3-in) computers, red	616602-001
	For use in HP 35.6-cm (14.0-in) computers	605780-001
	For use in Compaq 35.6-cm (14.0-in) computers	605781-001
	For use in HP 39.6-cm (15.6-in) computers	605782-001
	For use in Compaq 39.6-cm (15.6-in) computers	605783-001
	For use in Compaq 39.6-cm (15.6-in) computers, red	626095-001
(4)	TouchPad board	605795-001
(5)	Top cover	
	Top cover for Compaq 33.8-cm (13.3-in) computers	605774-001
	Top cover for Compaq 33.8-cm (13.3-in) computers, red	616601-001
	Top cover for HP 35.6-cm (14.0-in) computers	605775-001
	Top cover for Compaq 35.6-cm (14.0-in) computers	605776-001
	Top cover for HP 39.6-cm (15.6-in) computers	605777-001
	Top cover for Compaq 39.6-cm (15.6-in) computers	605778-001
	Top cover for Compaq 39.6-cm (15.6-in) computers, red	626093-001
(6)	Heat sink	
	For use in computers with UMA graphics subsystems	605749-001
	For use in computers with discrete graphics subsystems	605750-001
(7)	Fan	
	Fan for use in 33.8-cm (13.3-in) and 35.6-cm (14.0-in) computers	605787-001
	Fan for use in 39.6-cm (15.6-in) computers computers	605791-001
(8)	Power switch board	605794-001
(9)	System board (includes RTC battery and replacement thermal material)	
	System board with discrete graphics and RTC battery with PM45 chipset having 1066-MHz FSB	605746-001

Item	Description	
	System board with Park XT discrete graphics and RTC battery with PM45 chipset having 1066-MHz FSB (for use in APJ only)	625491-001
	System board with UMA graphics and RTC battery with GM45 chipset having 1066-MHz FSB	605747-001
	System board with UMA graphics and RTC battery with GL40 chipset having 1066-MHz FSB	605748-001
(10)	Modem module	
	NOTE: The modem module spare part kit does not include a modem module cable. The modem module cable is included in the Cable Kit , spare part number 599807-001. See Cables on page 36 for more Cable Kit spare part information.	
	For use in all countries and regions except Australia and New Zealand (replaced by 628824-001)	510100-001
	For use only in Australia and New Zealand (replaced by 628824-001)	510100-011
	For use in all countries and regions (replaces 510100-001 and 510100-011)	628824-001
(11)	RTC battery	449137-001
(12)	Hard drive extender	605798-001
(13)	Optical drive extender	
	For use in 39.6-cm (15.6-in) computers	605799-001
	For use in 35.6-cm (14.0-in) computers	605800-001
(14)	USB board with cable	605796-001
(15)	Bluetooth module	537921-001
	HP Integrated module with Bluetooth 2.1 wireless technology For use in Andorra, Argentina, Australia, Austria, Bangladesh, Belarus, Belgium, Bermuda, Brazil, Brunei, Bulgaria, Canada, Cayman Islands, Chile, China, Croatia, Cyprus, Czech Republic, Denmark, Egypt, El Salvador, Estonia, Finland, France, Germany, Greece, French Guiana, Guadeloupe, Guam, Hong Kong, Hungary, Iceland, India, Indonesia, Ireland, Israel, Italy, Japan, Jordan, South Korea, Latvia, Puerto Rico, Liechtenstein, Lithuania, Luxembourg, Malaysia, Malta, Martinique, Mexico, Morocco, Netherlands, New Zealand, Norway, Pakistan, Panama, Peru, Philippines, Poland, Portugal, Romania, Russia, Saudi Arabia, Singapore, Slovakia, Slovenia, South Africa, Spain, Sri Lanka, Sweden, Switzerland, Taiwan, Thailand, Tunisia, Turkey, Ukraine, United Arab Emirates, the United Kingdom, the United States, Venezuela, Virgin Islands	
(16)	Processor (includes replacement thermal material) (not illustrated)	
	Intel® processor	
	Celeron® T3000, 1.8-GHz, 800 MHz FSB, 1-MB cache	572926-001
	Celeron® T3300, 2.0-GHz, 800 MHz FSB, 1-MB cache	592399-001
	Pentium T4500, 2.3-GHz, 800 MHz FSB, 1-MB cache	591880-001
	Celeron® T1600, 1.66-GHz, 800 MHz FSB, 1-MB cache	532324-001
	Celeron® T1700, 1.83-GHz, 800 MHz FSB, 1-MB cache	534084-001
	Celeron® T3100, 1.9-GHz, 800 MHz FSB, 1-MB cache	572925-001

Item	Description	
	Celeron® 900, 2.2-GHz, 800 MHz FSB, 1-MB cache	534419-001
	Pentium T4200, 2.0-GHz, 800 MHz FSB, 1-MB cache	513599-001
	Pentium T4300, 2.1-GHz, 800 MHz FSB, 1-MB cache	572929-001
	Pentium T4400, 2.2-GHz, 800 MHz FSB, 1-MB cache	584296-001
	Core™ 2 Duo, T5870, 2.0-GHz, 800 MHz FSB, 2-MB cache	535835-001
	Core™ 2 Duo, T6570, 2.1-GHz, 800 MHz FSB, 2-MB cache	513598-001
	Core™ 2 Duo, T6670, 2.2-GHz, 800 MHz FSB, 2-MB cache	572927-001
	Core™ 2 Duo, P7370, 2.0-GHz, 800 MHz FSB, 2-MB cache	507966-001
	Core™ 2 Duo, P7570, 2.26-GHz, 1066 MHz FSB, 3-MB cache	572930-001
(17)	Speaker	605792-001
(18)	Audio board	605797-001
(19)	Base enclosure	
	For use in 33.8-cm (13.3-in) computers	605771-001
	For use in 35.6-cm (14.0-in) computers	605772-001
	For use in 39.6-cm (15.6-in) computers	605773-001
(20)	Battery	
	9-cell, 93-Wh, 2.8-Ah	593573-001
	6-cell, 47-Wh, 2.2-Ah	593572-001
(21)	Memory module	
	4-GB (PC3-10600, 1333-MHz, DDR3)	599092-002
	2-GB (PC3-10600, 1333-MHz, DDR3)	598856-001
	1-GB (PC3-10600, 1333-MHz, DDR3)	598859-001
(22)	WLAN module	
	Broadcom 4313AGN 802.11a/b/g/draft-n WiFi Adapter	593836-001
	Broadcom 4312G 802.11b/g WiFi adapters:	
	<ul style="list-style-type: none"> For use in Antigua and Barbuda, Barbados, Belize, Canada, the Cayman Islands, Guam, Puerto Rico, Trinidad and Tobago, the U.S. Virgin Islands, and the United States 	504593-003

Item	Description	
	<ul style="list-style-type: none"> For use in Afghanistan, Albania, Algeria, Andorra, Angola, Antigua and Barbuda, Argentina, Armenia, Aruba, Australia, Austria, Azerbaijan, the Bahamas, Bahrain, Bangladesh, Barbados, Belarus, Belgium, Belize, Benin, Bermuda, Bhutan, Bolivia, Bosnia and Herzegovina, Botswana, Brazil, the British Virgin Islands, Brunei, Bulgaria, Burkina Faso, Burundi, Cameroon, Cape Verde, the Central African Republic, Chad, Chile, the People's Republic of China, Colombia, Comoros, the Congo, Costa Rica, Croatia, Cyprus, the Czech Republic, Denmark, Djibouti, Dominica, the Dominican Republic, East Timor, Ecuador, Egypt, El Salvador, Equatorial Guinea, Eritrea, Estonia, Ethiopia, Fiji, Finland, France, French Guiana, Gabon, Gambia, Georgia, Germany, Ghana, Gibraltar, Greece, Grenada, Guadeloupe, Guatemala, Guinea, Guinea-Bissau, Guyana, Haiti, Honduras, Hong Kong, Hungary, Iceland, India, Ireland, Israel, Italy, the Ivory Coast, Jamaica, Jordan, Kazakhstan, Kenya, Kiribati, Kyrgyzstan, Laos, Latvia, Lebanon, Lesotho, Liberia, Liechtenstein, Lithuania, Luxembourg, Macedonia, Madagascar, Malawi, Malaysia, the Maldives, Mali, Malta, the Marshall Islands, Martinique, Mauritania, Mauritius, Mexico, Micronesia, Monaco, Mongolia, Montenegro, Morocco, Mozambique, Namibia, Nauru, Nepal, the Nether Antilles, the Netherlands, New Zealand, Nicaragua, Niger, Nigeria, Norway, Oman, Pakistan, Palau, Panama, Papua New Guinea, Paraguay, Peru, the Philippines, Poland, Portugal, the Republic of Moldova, Romania, Russia, Rwanda, Samoa, San Marino, Sao Tome and Principe, Saudi Arabia, Senegal, Serbia, the Seychelles, Sierra Leone, Singapore, Slovakia, Slovenia, the Solomon Islands, Somalia, South Africa, South Korea, Spain, Sri Lanka, St. Kitts and Nevis, St. Lucia, St. Vincent and the Grenadines, Suriname, Swaziland, Sweden, Switzerland, Taiwan, Tajikistan, Tanzania, Togo, Tonga, Trinidad and Tobago, Tunisia, Turkey, Turkmenistan, Tuvalu, Uganda, Ukraine, the United Arab Emirates, the United Kingdom, Uruguay, Uzbekistan, Vanuatu, Venezuela, Vietnam, Yemen, Zaire, Zambia, and Zimbabwe 	504593-004
	<p>Intel Wi-Fi Link 1000, 802.11b/g/n WLAN module: For use in Andorra, Antigua and Barbuda, Argentina, Aruba, Australia, Austria, Azerbaijan, the Bahamas, Barbados, Belgium, Bolivia, Bosnia and Herzegovina, Brazil, Brunei, Bulgaria, Canada, Cayman Islands, Chile, China, Colombia, Costa Rica, Croatia, Cyprus, the Czech Republic, Denmark, the Dominican Republic, Ecuador, Egypt, El Salvador, Estonia, Finland, France, French Guiana, Guadeloupe, Guam, Georgia, Germany, Ghana, Greece, Guatemala, Haiti, Honduras, Hong Kong, Hungary, Iceland, India, Indonesia, Ireland, Israel, Italy, Ivory Coast, Jamaica, Japan, Jordan, Kenya, Kuwait, Kyrgyzstan, Latvia, Lebanon, Liechtenstein, Lithuania, Luxembourg, Malawi, Malaysia, Malta, Martinique, Mauritius, Mexico, Monaco, Montenegro, Morocco, the Nether Antilles, the Netherlands, New Zealand, Nicaragua, Nigeria, Nigeria, Oman, Pakistan, Panama, Paraguay, Peru, the Philippines, Poland, Portugal, Puerto Rico, Qatar, Romania, San Marino, Saudi Arabia, Senegal, Singapore, Slovakia, Slovenia, South Africa, South Korea, Spain, Sri Lanka, Sweden, Switzerland, Taiwan, Tanzania, Thailand, Trinidad and Tobago, Turkey, United Arab Emirates, the United Kingdom, the United States, Uruguay, the U.S. Virgin Islands, Venezuela, and Vietnam (replaced by 600370-001)</p>	572520-001
	<p>Broadcom 4313 802.11b/g/n (1x1) WiFi Adapter and 2070 Bluetooth 2.1 and EDR Combo Adapter for use in all countries and regions (replaces 572520-001)</p>	600370-001
	<p>Ralink RT3090 802.11b/g/n WiFi Adapter and Bluetooth and EDR Combo Adapter for use in all countries and regions</p>	602992-001
	<p>Atheros 9285G 802.11b/g/n WiFi Adapter for use in all countries and regions</p>	605560-005
	<p>Realtek RTL8191SE 802.11b/g/n WiFi Adapter for use in all countries and regions</p>	593533-001
(23)	Hard drive (includes hard drive bracket and rubber/foam bumper)	
	500-GB, 7200-rpm (replaces 614958-001)	608139-001
	500-GB, 7200-rpm for use in 39.6-cm (15.6-in) computers (replaces 614523-001)	611029-001

Item	Description	
	320-GB, 7200-rpm (replaces 614957-001)	608138-001
	320-GB, 7200-rpm for use in 39.6-cm (15.6-in) computers (replaces 614955-001)	611028-001
	250-GB, 7200-rpm (replaces 617441-001)	608137-001
	250-GB, 7200-rpm for use in 39.6-cm (15.6-in) computers	611027-001
	250-GB, 5400-rpm	493994-001
	160-GB, 7200-rpm for use in 39.6-cm (15.6-in) computers (replaces 615844-001)	614522-001
	160-GB, 7200-rpm	455954-001
	160-GB, 7200-rpm	652166-001
(24)	Optical drive (includes bezel)	
	DVD-ROM Drive	608140-001
	DVD±RW Double-Layer Drive with LightScribe	608141-001
(25)	Access door	
	For use in 33.8-cm (13.3-in) and 35.6-cm (14.0-in) computers	605784-001
	For use in 39.6-cm (15.6-in) computers	605785-001

Display assembly components

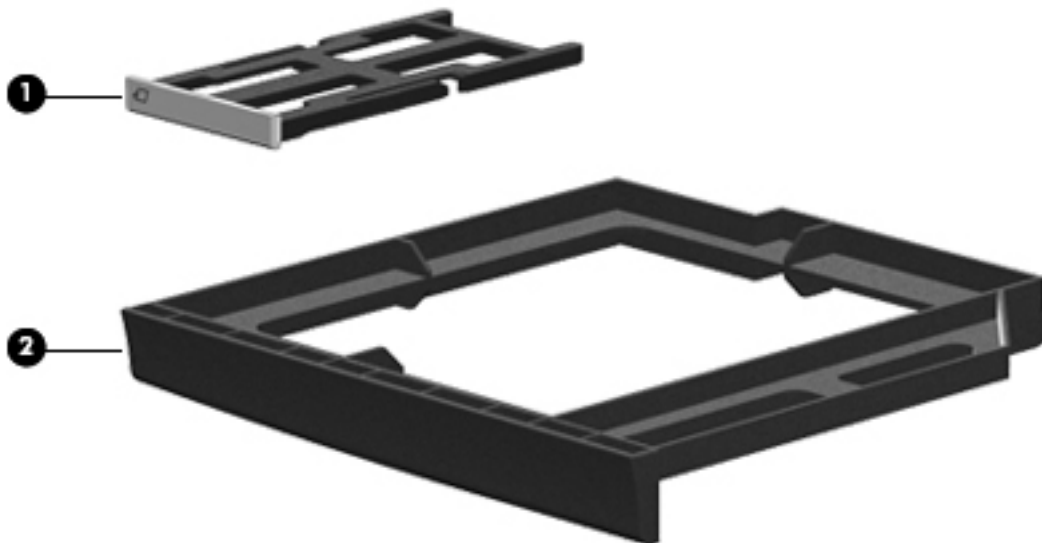


Item	Description	Spare part number
(1)	Display bezel	
	Compaq 33.8-cm (13.3-in) LCD bezel without webcam	605751-001
	Compaq 33.8-cm (13.3-in) LCD bezel with webcam	605752-001
	HP 35.6-cm (14.0-in) LCD bezel without webcam	605753-001
	HP 35.6-cm (14.0-in) LCD bezel with webcam	605754-001
	Compaq 35.6-cm (14.0-in) LCD bezel without webcam	605755-001
	Compaq 35.6-cm (14.0-in) LCD bezel with webcam	605756-001
	HP 39.6-cm (15.6-in) LCD bezel without webcam	605757-001
	HP 39.6-cm (15.6-in) LCD bezel with webcam	605758-001
	Compaq 39.6-cm (15.6-in) LCD bezel without webcam	605759-001
	Compaq 39.6-cm (15.6-in) LCD bezel with webcam	605760-001
(2)	Display Hinge Kit	
	Hinge Kit for 35.6-cm (14.0-in) and 33.8-cm (13.3-in) computers	605768-001

Item	Description	Spare part number
	Hinge Kit for 39.6-cm (15.6-in) computers	605769-001
(3)	Webcam module	611026-001
(4)	Display panel	
	Display panel AntiGlare without webcam for use in 39.6-cm (15.6-in) computers	608142-001
	Display panel AntiGlare with webcam for use in 39.6-cm (15.6-in) computers	608143-001
	Display panel BrightView without webcam for use in 39.6-cm (15.6-in) computers	608144-001
	Display panel BrightView with webcam for use in 39.6-cm (15.6-in) computers	608145-001
	Display panel AntiGlare without webcam for use in 35.6-cm (14-in) computers	608146-001
	Display panel AntiGlare with webcam for use in 35.6-cm (14-in) computers	608147-001
	Display panel BrightView with webcam for use in 35.6-cm (14-in) computers	608149-001
	Display panel BrightView without webcam for use in 35.6-cm (14-in) computers	608148-001
	Display panel AntiGlare, LED back lighting, LVDS for use with 39.6-cm (15.6-in) computers in APJ only	623181-001
	Display panel BrightView, LED back lighting, LVDS for use with 39.6-cm (15.6-in) computers in APJ only	623182-001
	Display panel AntiGlare, LED back lighting, LVDS for use with 35.6-cm (14-in) computers computers in APJ only	623176-001
	Display panel BrightView, LED back lighting, LVDS for use with 35.6-cm (14-in) computers computers in APJ only	592144-001
	Display panel AntiGlare, LED back lighting, LVDS for use with 33.8-cm (13.3-in) computers in APJ only	623175-001
	Display panel BrightView, LED back lighting for use with 33.8-cm (13.3-in) computers in APJ only	588160-001
(5)	WLAN transceiver cable	spared with display assembly
(6)	LCD cable	
	LCD cable with webcam	605767-001
	LCD cable without webcam	605766-001
(7)	Microphone cable	
(8)	Display enclosure	
	For use in Compaq 33.8-cm (13.3-in) computers	605761-001
	For use in HP 35.6-cm (14.0-in) computers	605762-001
	For use in Compaq 35.6-cm (14.0-in) computers	605763-001
	For use in HP 39.6-cm (15.6-in) computers	605764-001

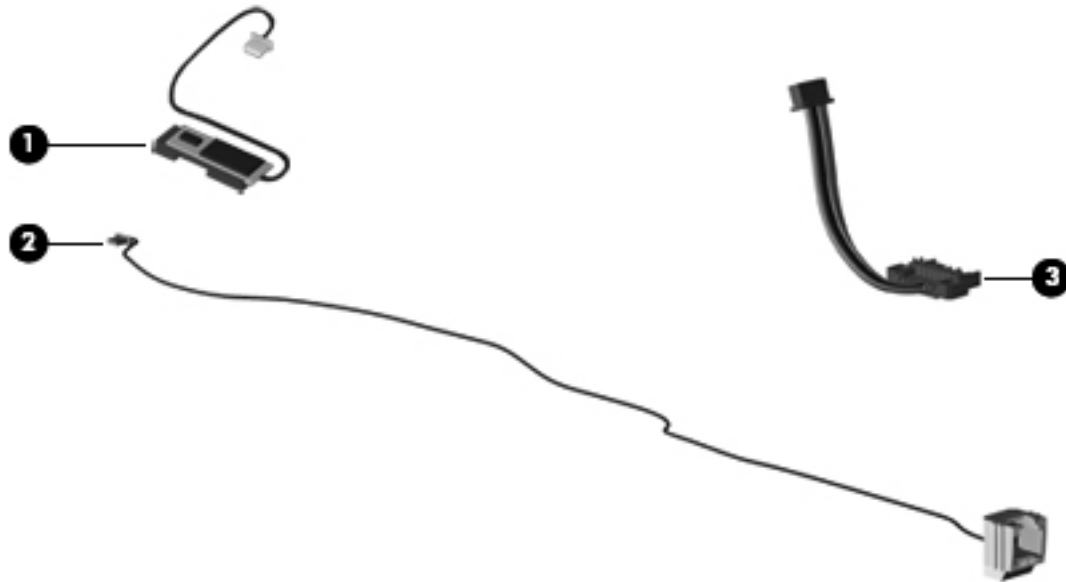
Item	Description	Spare part number
	For use in Compaq 39.6-cm (15.6-in) computers	605765-001
	For use in Compaq 39.6-cm (15.6-in) computers, red	626094-001

Plastics Kit

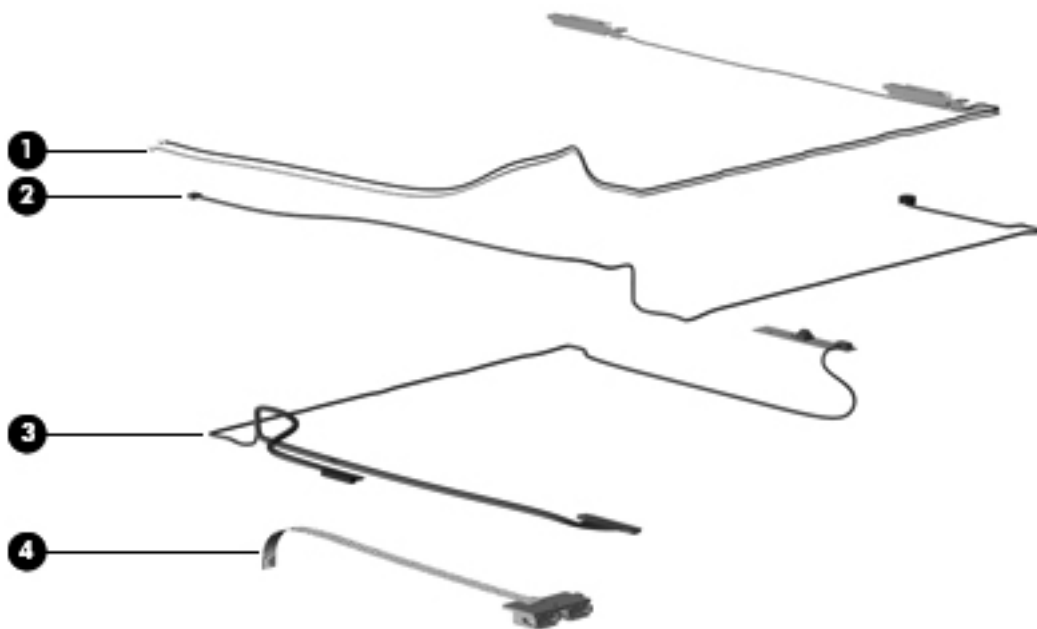


Item	Description	Spare part number
	Plastics Kit:	605786-001
(1)	Dummy ExpressCard	
(2)	Dummy optical drive	

Cables

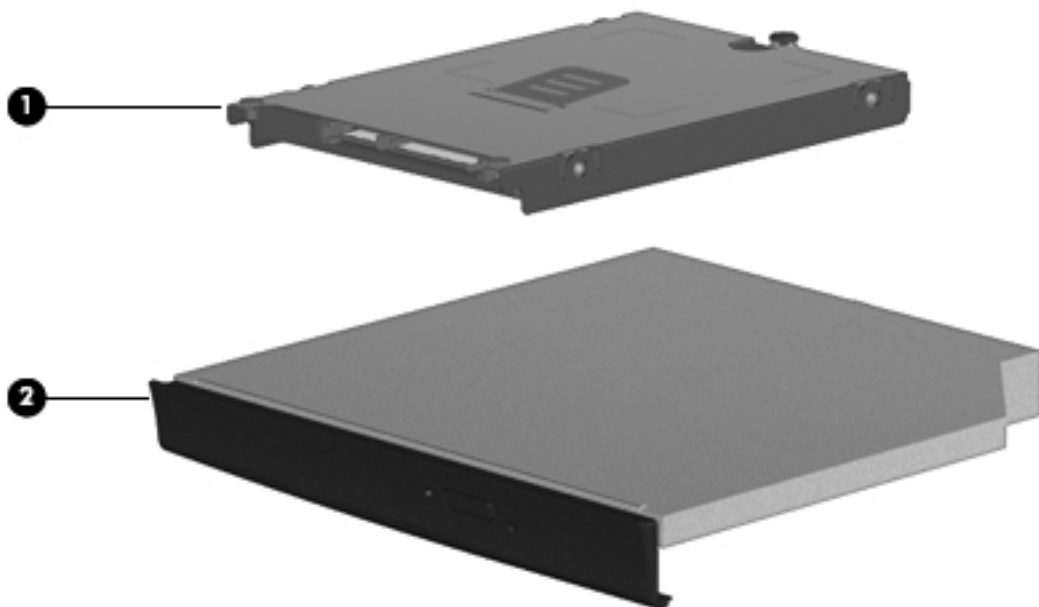


Item	Description	Spare part number
	Cable Kit , includes:	605793-001
(1)	Bluetooth cable	
(2)	RJ-11 cable	
(3)	Main battery connector	



Item	Description	Spare part number
(1)	WLAN transceiver with cable	spared with display assembly
(2)	Microphone cable	spared with display assembly
(3)	LCD Cable Kit	
	LCD Cable without webcam (not shown)	605766-001
	LCD Cable with webcam cable	605767-001
(4)	USB cable	605796-001

Mass storage devices



Item	Description	Spare part number
(1)	Hard drive (includes bracket and foam bumper)	
	500-GB, 7200-rpm (replaces 614958-001)	608139-001
	500-GB, 7200-rpm for use in 39.6-cm (15.6-in) computers (replaces 614523-001 and 614956-001)	611029-001
	320-GB, 7200-rpm (replaces 614957-001)	608138-001
	320-GB, 7200-rpm for use in 39.6-cm (15.6-in) computers (replaces 614955-001)	611028-001
	250-GB, 7200-rpm (replaces 617441-001)	608137-001
	250-GB, 7200-rpm for use in 39.6-cm (15.6-in) computers	611027-001

Item	Description	Spare part number
	250-GB, 5400-rpm	493994-001
	160-GB, 7200-rpm for use in 39.6-cm (15.6-in) computers (replaces 615844-001)	614522-001
	160-GB, 7200-rpm	455954-001
	160-GB, 7200-rpm	652166-001
(2)	Optical drive (includes bezel)	
	DVD±RW Double-Layer Drive with LightScribe	608140-001
	DVD-ROM Drive	608141-001
	Hard drive hardware kit for use in 39.6-cm (15.6-in) computers (not illustrated). For use with replacement hard drives that do not come with mounting bracket, mounting screws, and foam/rubber bumpers; includes:	652169-001
	Hard drive mounting bracket	
	Hard drive retaining screw M3×3×4.5 (4)	
	Rubber bumper, 15×5×3mm (2)	
	Silicone bumper, 12×5.5×7mm (2)	
	Hard drive hardware kit for use in 33.8-cm (13.3-in) and 35.6-cm (14.0-in) computers (not illustrated). For use with replacement hard drives that do not come with mounting bracket, mounting screws, and foam/rubber bumpers; includes:	652168-001
	Hard drive mounting bracket	
	Hard drive retaining screw M3×3×4.5 (4)	
	Foam bumper, 90×8×0.5mm	
	Rubber bumper, 13×9.5×3.1mm (2)	

Miscellaneous parts

Description	Spare part number
AC adapters	
65-W AC adapter for use with computers with UMA graphics	613149-001
90-W AC adapter for use with computers with discrete graphics	613150-001
Power cords	
For use in Argentina	490371-D01
For use in Australia and New Zealand	490371-011
For use in Brazil	490371-201
For use in Denmark	490371-081
For use in Europe, the Middle East, and Africa	490371-021
For use in India	490371-D61
For use in Israel	490371-BB1
For use in Italy	490371-061
For use in Japan	490371-291
For use in the People's Republic of China	490371-AA1
For use in South Africa	490371-AR1
For use in South Korea	490371-AD1
For use in Switzerland	490371-111
For use in Taiwan	490371-AB1
For use in the United Kingdom	490371-031
For use in the United States	490371-001
Screw Kit , includes:	605790-001
<ul style="list-style-type: none"> • (15) Torx 2.5×6.0 screws • (15) Phillips 2.5×4.5 screws • (15) Phillips 2.5×4.5 screws • (15) Phillips 2.5×4.5 screws • (15) Phillips 2.0×3.0 screws • (15) Phillips 3.0×4.5 screws 	
Rubber Kit (contains: 10 top bumper strips, 20 bottom case hinge bumpers, 10 rubber feet, 10 middle body bumpers, 10 RJ-11 bumpers, 10 bottom case bumpers)	
For use in 33.8-cm (13.3-in) and 35.6-cm (14.0-in) computers	605789-001
For use in 39.6-cm (15.6-in) computers	608931-001

Sequential part number listing

Spare part number	Description
449137-001	RTC battery
490371-001	Power cord for use in the United States
490371-021	Power cord for use in Europe, the Middle East, and Africa
490371-031	Power cord for use in the United Kingdom
490371-061	Power cord for use in Italy
490371-081	Power cord for use in Denmark
490371-111	Power cord for use in Switzerland
490371-201	Power cord for use in Brazil
490371-291	Power cord for use in Japan
490371-AR1	Power cord for use in South Africa
490371-BB1	Power cord for use in Israel
490371-D01	Power cord for use in Argentina
504593-003	Broadcom BCM4312 802.11b/g WLAN module for use in Antigua and Barbuda, Barbados, Belize, Canada, the Cayman Islands, Guam, Puerto Rico, Trinidad and Tobago, the U.S. Virgin Islands, and the United States
504593-004	Broadcom 4312 802.11b/g WLAN module for use in Afghanistan, Albania, Algeria, Andorra, Angola, Antigua and Barbuda, Argentina, Armenia, Aruba, Australia, Austria, Azerbaijan, the Bahamas, Bahrain, Bangladesh, Barbados, Belarus, Belgium, Belize, Benin, Bermuda, Bhutan, Bolivia, Bosnia and Herzegovina, Botswana, Brazil, the British Virgin Islands, Brunei, Bulgaria, Burkina Faso, Burundi, Cameroon, Cape Verde, the Central African Republic, Chad, Chile, the People's Republic of China, Colombia, Comoros, the Congo, Costa Rica, Croatia, Cyprus, the Czech Republic, Denmark, Djibouti, Dominica, the Dominican Republic, East Timor, Ecuador, Egypt, El Salvador, Equatorial Guinea, Eritrea, Estonia, Ethiopia, Fiji, Finland, France, French Guiana, Gabon, Gambia, Georgia, Germany, Ghana, Gibraltar, Greece, Grenada, Guadeloupe, Guatemala, Guinea, Guinea-Bissau, Guyana, Haiti, Honduras, Hong Kong, Hungary, Iceland, India, Ireland, Israel, Italy, the Ivory Coast, Jamaica, Jordan, Kazakhstan, Kenya, Kiribati, Kyrgyzstan, Laos, Latvia, Lebanon, Lesotho, Liberia, Liechtenstein, Lithuania, Luxembourg, Macedonia, Madagascar, Malawi, Malaysia, the Maldives, Mali, Malta, the Marshall Islands, Martinique, Mauritania, Mauritius, Mexico, Micronesia, Monaco, Mongolia, Montenegro, Morocco, Mozambique, Namibia, Nauru, Nepal, the Nether Antilles, the Netherlands, New Zealand, Nicaragua, Niger, Nigeria, Norway, Oman, Pakistan, Palau, Panama, Papua New Guinea, Paraguay, Peru, the Philippines, Poland, Portugal, the Republic of Moldova, Romania, Russia, Rwanda, Samoa, San Marino, Sao Tome and Principe, Saudi Arabia, Senegal, Serbia, the Seychelles, Sierra Leone, Singapore, Slovakia, Slovenia, the Solomon Islands, Somalia, South Africa, South Korea, Spain, Sri Lanka, St. Kitts and Nevis, St. Lucia, St. Vincent and the Grenadines, Suriname, Swaziland, Sweden, Switzerland, Taiwan, Tajikistan, Tanzania, Togo, Tonga, Trinidad and Tobago, Tunisia, Turkey, Turkmenistan, Tuvalu, Uganda, Ukraine, the United Arab Emirates, the United Kingdom, Uruguay, Uzbekistan, Vanuatu, Venezuela, Vietnam, Yemen, Zaire, Zambia, and Zimbabwe
507966-001	Intel® Core™ 2 Duo, P7370, 2.0-GHz, 800 MHz FSB, 2-MB cache
510100-001	Modem module for use in all countries and regions except Australia and New Zealand
510100-011	Modem module for use in Australia and New Zealand

Spare part number	Description
513598-001	Intel® Core™ 2 Duo, T6570, 2.1-GHz, 800 MHz FSB, 2-MB cache
513599-001	Intel® Pentium T4200, 2.0-GHz, 800 MHz FSB, 1-MB cache
532324-001	Intel® Celeron® T1600, 1.66-GHz, 800 MHz FSB, 1-MB cache
534084-001	Intel® Celeron® T1700, 1.83-GHz, 800 MHz FSB, 1-MB cache
534419-001	Intel® Celeron® 900, 2.2-GHz, 800 MHz FSB, 1-MB cache
535835-001	Intel® Core™ 2 Duo, T5870, 2.0-GHz, 800 MHz FSB, 2-MB cache
537921-001	Bluetooth module with Bluetooth 2.1 wireless technology
572520-001	Intel Wi-Fi Link 1000, 802.11b/g/n WLAN module for use in Andorra, Antigua and Barbuda, Argentina, Aruba, Australia, Austria, Azerbaijan, the Bahamas, Barbados, Belgium, Bolivia, Bosnia and Herzegovina, Brazil, Brunei, Bulgaria, Canada, Cayman Islands, Chile, China, Colombia, Costa Rica, Croatia, Cyprus, the Czech Republic, Denmark, the Dominican Republic, Ecuador, Egypt, El Salvador, Estonia, Finland, France, French Guiana, Guadeloupe, Guam, Georgia, Germany, Ghana, Greece, Guatemala, Haiti, Honduras, Hong Kong, Hungary, Iceland, India, Indonesia, Ireland, Israel, Italy, Ivory Coast, Jamaica, Japan, Jordan, Kenya, Kuwait, Kyrgyzstan, Latvia, Lebanon, Liechtenstein, Lithuania, Luxembourg, Malawi, Malaysia, Malta, Martinique, Mauritius, Mexico, Monaco, Montenegro, Morocco, the Nether Antilles, the Netherlands, New Zealand, Nicaragua, Nigeria, Oman, Pakistan, Panama, Paraguay, Peru, the Philippines, Poland, Portugal, Puerto Rico, Qatar, Romania, San Marino, Saudi Arabia, Senegal, Singapore, Slovakia, Slovenia, South Africa, South Korea, Spain, Sri Lanka, Sweden, Switzerland, Taiwan, Tanzania, Thailand, Trinidad and Tobago, Turkey, United Arab Emirates, the United Kingdom, the United States, Uruguay, the U.S. Virgin Islands, Venezuela, and Vietnam (replaced by 600370-001)
572925-001	Intel® Celeron® T3100, 1.9-GHz, 800 MHz FSB, 1-MB cache
572926-001	Intel® Celeron® T3000, 1.8-GHz, 800 MHz FSB, 1-MB cache
572927-001	Intel® Core™ 2 Duo, T6670, 2.2-GHz, 800 MHz FSB, 2-MB cache
572929-001	Intel® Pentium T4300, 2.1-GHz, 800 MHz FSB, 1-MB cache
572930-001	Intel® Core™ 2 Duo, P7570, 2.26-GHz, 1066 MHz FSB, 3-MB cache
588160-001	Display panel BrightView, LED back lighting for use with 33.8-cm (13.3-in) computers in APJ only
584296-001	Intel® Pentium T4400, 2.2-GHz, 800 MHz FSB, 1-MB cache
592144-001	Display panel BrightView, LED back lighting, LVDS for use with 35.6-cm (14-in) computers computers in APJ only
591880-001	Intel® Pentium T4500, 2.3-GHz, 800 MHz FSB, 1-MB cache
592399-001	Intel® Celeron® T3300, 2.0-GHz, 800 MHz FSB, 1-MB cache
593533-001	Realtek RTL8191SE 802.11b/g/n WiFi Adapter
593572-001	Battery, 6-cell, 47 Wh, 2.2 Ah for use in computers with 15.6-in displays
593573-001	Battery, 9-cell, 93 Wh, 2.8 Ah for use in computers with 15.6-in displays
593836-001	Broadcom 4313AGN 802.11a/b/g/draft-n WiFi Adapter
598856-001	2-GB (PC3-10600, 1333-MHz, DDR3)
598859-001	1-GB (PC3-10600, 1333-MHz, DDR3)

Spare part number	Description
599092-002	4-GB (PC3-10600, 1333-MHz, DDR3)
600370-001	Broadcom 4313 802.11b/g/n (1x1) WiFi Adapter and 2070 Bluetooth 2.1 and EDR Combo Adapter for use in all countries and regions
602992-001	Ralink RT3090 802.11b/g/n WiFi Adapter and Bluetooth and EDR Combo Adapter for use in all countries and regions
605660-005	Atheros 9285G 802.11b/g/n WiFi Adapter
605746-001	System board with discrete graphics and RTC battery with PM45 chipset having 1066-MHz FSB
605747-001	System board with UMA graphics and RTC battery with GM45 chipset having 1066-MHz FSB
605748-001	System board with UMA graphics and RTC battery with GL40 chipset having 1066-MHz FSB
605749-001	Heat sink for use in computers with UMA graphics subsystems
605750-001	Heat sink for use in computers with discrete graphics subsystems
605751-001	Compaq 33.8-cm (13.3-in) LCD bezel without webcam
605752-001	Compaq 33.8-cm (13.3-in) LCD bezel with webcam
605753-001	HP 35.6-cm (14.0-in) LCD bezel without webcam
605754-001	HP 35.6-cm (14.0-in) LCD bezel with webcam
605755-001	Compaq 35.6-cm (14.0-in) LCD bezel without webcam
605756-001	Compaq 35.6-cm (14.0-in) LCD bezel with webcam
605757-001	HP 39.6-cm (15.6-in) LCD bezel without webcam
605758-001	HP 39.6-cm (15.6-in) LCD bezel with webcam
605759-001	Compaq 39.6-cm (15.6-in) LCD bezel without webcam
605760-001	Compaq 39.6-cm (15.6-in) LCD bezel with webcam
605761-001	Compaq 33.8-cm (13.3-in) display enclosure
605762-001	HP 35.6-cm (14.0-in) display enclosure
605763-001	Compaq 35.6-cm (14.0-in) display enclosure
605764-001	HP 39.6-cm (15.6-in) display enclosure
605765-001	Compaq 39.6-cm (15.6-in) display enclosure
605766-001	LCD cable without webcam
605767-001	LCD cable with webcam
605768-001	Hinge Kit for 35.6-cm (14.0-in) and 33.8-cm (13.3-in) computers
605769-001	Hinge Kit for 39.6-cm (15.6-in) computers
605771-001	Base enclosure for 33.8-cm (13.3-in) computers
605772-001	Base enclosure for 35.6-cm (14.0-in) computers
605773-001	Base enclosure for 39.6-cm (15.6-in) computers

Spare part number	Description
605774-001	Top cover for Compaq 33.8-cm (13.3-in) computers
605775-001	Top cover for HP 35.6-cm (14.0-in) computers
605776-001	Top cover for Compaq 35.6-cm (14.0-in) computers
605777-001	Top cover for HP 39.6-cm (15.6-in) computers
605778-001	Top cover for Compaq 39.6-cm (15.6-in) computers
605779-001	Palm rest with TouchPad for Compaq 33.8-cm (13.3-in) computers (does not include TouchPad board and cable)
605780-001	Palm rest with TouchPad for HP 35.6-cm (14.0-in) computers (does not include TouchPad board and cable)
605781-001	Palm rest with TouchPad for Compaq 35.6-cm (14.0-in) computers (does not include TouchPad board and cable)
605782-001	Palm rest with TouchPad for HP 39.6-cm (15.6-in) computers (does not include TouchPad board and cable)
605783-001	Palm rest with TouchPad for Compaq 39.6-cm (15.6-in) computers (does not include TouchPad board and cable)
605784-001	Service door for 33.8-cm (13.3-in) and 35.6-cm (14.0-in) computers
605785-001	Service door for 39.6-cm (15.6-in) computers
605786-001	Plastics Kit
605787-001	Fan for use in 33.8-cm (13.3-in) and 35.6-cm (14.0-in) computers
605789-001	Rubber Kit for 33.8-cm (13.3-in) and 35.6-cm (14.0-in) computers
605790-001	Screw Kit
605791-001	Fan for use in 39.6-cm (15.6-in) computers
605792-001	Speaker
605793-001	Cable Kit
605794-001	Power switch board
605795-001	TouchPad board
605796-001	USB board
605797-001	Audio board
605798-001	Hard drive extender
605799-001	Optical drive extender for 39.6-cm (15.6-in) computers
605800-001	Optical drive extender for 35.6-cm (14.0-in) computers
605801-001	39.6-cm (15.6-in) HD AntiGlare display assembly for use in computers equipped without webcam (1366x768 resolution)
605802-001	39.6-cm (15.6-in) HD AntiGlare display assembly for use in computers equipped with webcam (1366x768 resolution)

Spare part number	Description
605803-001	39.6-cm (15.6-in) HD BrightView display assembly for use in computers without webcam (1366×768 resolution)
605804-001	39.6-cm (15.6-in) HD BrightView display assembly for use in computers with webcam (1366×768 resolution)
605805-001	35.6-cm (14.0-in) HD AntiGlare display assembly for use in computers without webcam (1366×768 resolution)
605806-001	35.6-cm (14.0-in) HD AntiGlare display assembly for use in computers equipped with webcam (1366×768 resolution)
605807-001	35.6-cm (14.0-in) HD BrightView display assembly for use in computers without webcam (1366×768 resolution)
605808-001	35.6-cm (14.0-in) HD BrightView display assembly for use in computers equipped with webcam (1366×768 resolution)
605809-001	33.8-cm (13.3-in) HD AntiGlare display assembly for use in computers with WLAN but without webcam (1366×768 resolution)
605810-001	33.8-cm (13.3-in) HD AntiGlare display assembly for use in computers with WLAN and webcam (1366×768 resolution)
605811-001	33.8-cm (13.3-in) HD BrightView display assembly for use in computers with WLAN but without webcam (1366×768 resolution)
605812-001	33.8-cm (13.3-in) HD BrightView display assembly for use in computers with WLAN and webcam (1366×768 resolution)
605813-001	Keyboard for 35.6-cm (14.0-in) and 33.8-cm (13.3-in) computers for use in the United States
605813-031	Keyboard for 35.6-cm (14.0-in) and 33.8-cm (13.3-in) computers for use in the United Kingdom
605813-041	Keyboard for 35.6-cm (14.0-in) and 33.8-cm (13.3-in) computers for use in Germany
605813-051	Keyboard for 35.6-cm (14.0-in) and 33.8-cm (13.3-in) computers for use in France
605813-061	Keyboard for 35.6-cm (14.0-in) and 33.8-cm (13.3-in) computers for use in Italy
605813-071	Keyboard for 35.6-cm (14.0-in) and 33.8-cm (13.3-in) computers for use in Spain
605813-081	Keyboard for 35.6-cm (14.0-in) and 33.8-cm (13.3-in) computers for use in Denmark
605813-091	Keyboard for 35.6-cm (14.0-in) and 33.8-cm (13.3-in) computers for use in Norway
605813-121	Keyboard for 35.6-cm (14.0-in) and 33.8-cm (13.3-in) computers for use in French Canada
605813-131	Keyboard for 35.6-cm (14.0-in) and 33.8-cm (13.3-in) computers for use in Portugal
605813-141	Keyboard for 35.6-cm (14.0-in) and 33.8-cm (13.3-in) computers for use in Turkey
605813-161	Keyboard for 35.6-cm (14.0-in) and 33.8-cm (13.3-in) computers for use in Latin America
605813-171	Keyboard for 35.6-cm (14.0-in) and 33.8-cm (13.3-in) computers for use in Saudi Arabia
605813-201	Keyboard for 35.6-cm (14.0-in) and 33.8-cm (13.3-in) computers for use in Brazil
605813-211	Keyboard for 35.6-cm (14.0-in) and 33.8-cm (13.3-in) computers for use in Hungary
605813-251	Keyboard for 35.6-cm (14.0-in) and 33.8-cm (13.3-in) computers for use in Russia

Spare part number	Description
605813-261	Keyboard for 35.6-cm (14.0-in) and 33.8-cm (13.3-in) computers for use in Bulgaria
605813-281	Keyboard for 35.6-cm (14.0-in) and 33.8-cm (13.3-in) computers for use in Thailand
605813-291	Keyboard for 35.6-cm (14.0-in) and 33.8-cm (13.3-in) computers for use in Japan
605813-A41	Keyboard for 35.6-cm (14.0-in) and 33.8-cm (13.3-in) computers for use in Europe
605813-A81	Keyboard for 35.6-cm (14.0-in) and 33.8-cm (13.3-in) computers for use in the Czech Republic
605813-AB1	Keyboard for 35.6-cm (14.0-in) and 33.8-cm (13.3-in) computers for use in Taiwan
605813-AD1	Keyboard for 35.6-cm (14.0-in) and 33.8-cm (13.3-in) computers for use in South Korea
605813-B31	Keyboard for 35.6-cm (14.0-in) and 33.8-cm (13.3-in) computers for International use
605813-B71	Keyboard for 35.6-cm (14.0-in) and 33.8-cm (13.3-in) computers for use in Finland
605813-BA1	Keyboard for 35.6-cm (14.0-in) and 33.8-cm (13.3-in) computers for use in Slovenia
605813-BB1	Keyboard for 35.6-cm (14.0-in) and 33.8-cm (13.3-in) computers for use in Israel
605813-BG1	Keyboard for 35.6-cm (14.0-in) and 33.8-cm (13.3-in) computers for use in Switzerland
605813-DD1	Keyboard for 35.6-cm (14.0-in) and 33.8-cm (13.3-in) computers for use in Iceland
605813-DH1	Keyboard for 35.6-cm (14.0-in) and 33.8-cm (13.3-in) computers for use in the Netherlands
605813-DJ1	Keyboard for 35.6-cm (14.0-in) and 33.8-cm (13.3-in) computers for use in Greece
605813-DW1	Keyboard for 35.6-cm (14.0-in) and 33.8-cm (13.3-in) computers for use in the French Arabic region
605814-001	Keyboard for 39.6-cm (15.6-in) computers for use in the United States
605814-031	Keyboard for 39.6-cm (15.6-in) computers for use in the United Kingdom
605814-041	Keyboard for 39.6-cm (15.6-in) computers for use in Germany
605814-051	Keyboard for 39.6-cm (15.6-in) computers for use in France
605814-061	Keyboard for 39.6-cm (15.6-in) computers for use in Italy
605814-071	Keyboard for 39.6-cm (15.6-in) computers for use in Spain
605814-081	Keyboard for 39.6-cm (15.6-in) computers for use in Denmark
605814-091	Keyboard for 39.6-cm (15.6-in) computers for use in Norway
605814-121	Keyboard for 39.6-cm (15.6-in) computers for use in French Canada
605814-131	Keyboard for 39.6-cm (15.6-in) computers for use in Portugal
605814-141	Keyboard for 39.6-cm (15.6-in) computers for use in Turkey
605814-161	Keyboard for 39.6-cm (15.6-in) computers for use in Latin America
605814-171	Keyboard for 39.6-cm (15.6-in) computers for use in Saudi Arabia
605814-201	Keyboard for 39.6-cm (15.6-in) computers for use in Brazil
605814-211	Keyboard for 39.6-cm (15.6-in) computers for use in Hungary
605814-251	Keyboard for 39.6-cm (15.6-in) computers for use in Russia

Spare part number	Description
605814-261	Keyboard for 39.6-cm (15.6-in) computers for use in Bulgaria
605814-281	Keyboard for 39.6-cm (15.6-in) computers for use in Thailand
605814-291	Keyboard for 39.6-cm (15.6-in) computers for use in Japan
605814-A41	Keyboard for 39.6-cm (15.6-in) computers for use in Europe
605814-A81	Keyboard for 39.6-cm (15.6-in) computers for use in the Czech Republic
605814-AB1	Keyboard for 39.6-cm (15.6-in) computers for use in Taiwan
605814-AD1	Keyboard for 39.6-cm (15.6-in) computers for use in South Korea
605814-B31	Keyboard for 39.6-cm (15.6-in) computers for International use
605814-B71	Keyboard for 39.6-cm (15.6-in) computers for use in Finland
605814-BA1	Keyboard for 39.6-cm (15.6-in) computers for use in Slovenia
605814-BB1	Keyboard for 39.6-cm (15.6-in) computers for use in Israel
605814-BG1	Keyboard for 39.6-cm (15.6-in) computers for use in Switzerland
605814-DD1	Keyboard for 39.6-cm (15.6-in) computers for use in Iceland
605814-DH1	Keyboard for 39.6-cm (15.6-in) computers for use in the Netherlands
605814-DJ1	Keyboard for 39.6-cm (15.6-in) computers for use in Greece
605814-DW1	Keyboard for 39.6-cm (15.6-in) computers for use in the French Arabic region
608137-001	250-GB, 7200-rpm hard drive for use in computers with 35.6-cm (14-in) or 33.8-cm (13.3-in) (replaces 617441-001)
608138-001	320-GB, 7200-rpm hard drive for use in computers with 35.6-cm (14-in) or 33.8-cm (13.3-in) (replaces 614957-001)
608139-001	500-GB, 7200-rpm hard drive for use in computers with 35.6-cm (14-in) or 33.8-cm (13.3-in) (replaces 614958-001)
608140-001	DVD RW with LightScribe
608141-001	DVD
608142-001	Display panel AntiGlare without webcam for use in 39.6-cm (15.6-in) computers
608143-001	Display panel AntiGlare with webcam for use in 39.6-cm (15.6-in) computers
608144-001	Display panel BrightView without webcam for use in 39.6-cm (15.6-in) computers
608145-001	Display panel BrightView with webcam for use in 39.6-cm (15.6-in) computers
608146-001	Display panel AntiGlare without webcam for use in 35.6-cm (14-in) computers
608147-001	Display panel AntiGlare with webcam for use in 35.6-cm (14-in) computers
608148-001	Display panel BrightView without webcam for use in 35.6-cm (14-in) computers
608149-001	Display panel BrightView with webcam for use in 35.6-cm (14-in) computers
608931-001	Rubber Kit for 39.6-cm (15.6-in) computers

Spare part number	Description
611026-001	Webcam
611027-001	250-GB, 7200-rpm hard drive for use in computers with 39.6-cm (15.6-in) displays
611028-001	320-GB, 7200-rpm hard drive for use in computers with 39.6-cm (15.6-in) displays (replaces 614955-001)
611029-001	500-GB, 7200-rpm hard drive for use in computers with 39.6-cm (15.6-in) displays (replaces 614523-001)
613149-001	65-W AC adapter for use with computers with UMA graphics
613150-001	90-W AC adapter for use with computers with discrete graphics
614522-001	160-GB, 7200-rpm hard drive for use in computers with 39.6-cm (15.6-in) displays (replaces 615844-001)
616597-001	33.8-cm (13.3-in) HD AntiGlare display assembly for use in computers with WLAN and without webcam, red (1366x768 resolution)
616598-001	33.8-cm (13.3-in) HD AntiGlare display assembly for use in computers with WLAN and webcam, red (1366x768 resolution)
616599-001	33.8-cm (13.3-in) HD BrightView display assembly for use in computers with WLAN and without webcam, red (1366x768 resolution)
616600-001	33.8-cm (13.3-in) HD BrightView display assembly with LED back lighting for use in computers with WLAN and webcam, red (1366x768 resolution)
616601-001	Top cover for Compaq 33.8-cm (13.3-in) computers, red
623175-001	Display panel AntiGlare, LED back lighting, LVDS for use with 33.8-cm (13.3-in) computers in APJ only
623176-001	Display panel AntiGlare, LED back lighting, LVDS for use with 33.8-cm (13.3-in) computers in APJ only
623181-001	Display panel AntiGlare, LED back lighting, LVDS for use with 39.6-cm (15.6-in) computers in APJ only
623182-001	Display panel BrightView, LED back lighting, LVDS for use with 39.6-cm (15.6-in) computers in APJ only
616602-001	Palm rest with TouchPad for use with 33.8-cm (13.3-in) computers, red
617441-001	250-GB, 5400-rpm hard drive (replaced by 608137-001)
625491-001	System board, Park XT, with discrete graphics and RTC battery with PM45 chipset having 1066-MHz FSB (for use in APJ only)
626094-001	Display enclosure for use in Compaq 39.6-cm (15.6-in) computers, red
626093-001	Top cover for Compaq 39.6-cm (15.6-in) computers, red
626095-001	Palm rest with TouchPad for use with 39.6-cm (15.6-in) computers, red
626123-001	39.6-cm (15.6-in) HD AntiGlare display assembly for use in computers equipped without webcam, red (1366x768 resolution)
626124-001	39.6-cm (15.6-in) HD AntiGlare display assembly for use in computers equipped with webcam, red (1366x768 resolution)
626125-001	39.6-cm (15.6-in) HD BrightView display assembly for use in computers equipped without webcam, red (1366x768 resolution)
626126-001	39.6-cm (15.6-in) HD BrightView display assembly with LED back lighting for use in computers equipped with webcam, red (1366x768 resolution)
628824-001	Modem module for use in all countries and regions (replaces 510100-001 and 510100-011)

Spare part number	Description
652166-001	160-GB, 7200-rpm hard drive
652168-001	Hard drive hardware kit for use with 33.8-cm (13.3-in) and 39.6-cm (14.0-in) computers
652169-001	Hard drive hardware kit for use with 39.6-cm (15.6-in) computers

4 Removal and replacement procedures

Preliminary replacement requirements


Tools required

You will need the following tools to complete the removal and replacement procedures:


- Flat-bladed screwdriver
- Magnetic screwdriver
- Phillips P0 and P1 screwdrivers
- Torx T8 screwdriver

Service considerations

The following sections include some of the considerations that you must keep in mind during disassembly and assembly procedures.

 **NOTE:** As you remove each subassembly from the computer, place the subassembly (and all accompanying screws) away from the work area to prevent damage.

Plastic parts

 **CAUTION:** Using excessive force during disassembly and reassembly can damage plastic parts. Use care when handling the plastic parts. Apply pressure only at the points designated in the maintenance instructions.

Cables and connectors

⚠ CAUTION: When servicing the computer, be sure that cables are placed in their proper locations during the reassembly process. Improper cable placement can damage the computer.

Cables must be handled with extreme care to avoid damage. Apply only the tension required to unseat or seat the cables during removal and insertion. Handle cables by the connector whenever possible. In all cases, avoid bending, twisting, or tearing cables. Be sure that cables are routed in such a way that they cannot be caught or snagged by parts being removed or replaced. Handle flex cables with extreme care; these cables tear easily.

Drive handling

⚠ CAUTION: Drives are fragile components that must be handled with care. To prevent damage to the computer, damage to a drive, or loss of information, observe these precautions:

Before removing or inserting a hard drive, shut down the computer. If you are unsure whether the computer is off or in Hibernation, turn the computer on, and then shut it down through the operating system.

Before handling a drive, be sure that you are discharged of static electricity. While handling a drive, avoid touching the connector.

Before removing a diskette drive or optical drive, be sure that a diskette or disc is not in the drive and be sure that the optical drive tray is closed.

Handle drives on surfaces covered with at least one inch of shock-proof foam.

Avoid dropping drives from any height onto any surface.

After removing a hard drive, an optical drive, or a diskette drive, place it in a static-proof bag.

Avoid exposing a hard drive to products that have magnetic fields, such as monitors or speakers.

Avoid exposing a drive to temperature extremes or liquids.

If a drive must be mailed, place the drive in a bubble pack mailer or other suitable form of protective packaging and label the package "FRAGILE."

Grounding guidelines

Electrostatic discharge damage

Electronic components are sensitive to electrostatic discharge (ESD). Circuitry design and structure determine the degree of sensitivity. Networks built into many integrated circuits provide some protection, but in many cases, ESD contains enough power to alter device parameters or melt silicon junctions.

A discharge of static electricity from a finger or other conductor can destroy static-sensitive devices or microcircuitry. Even if the spark is neither felt nor heard, damage may have occurred.

An electronic device exposed to ESD may not be affected at all and can work perfectly throughout a normal cycle. Or the device may function normally for a while, then degrade in the internal layers, reducing its life expectancy.

⚠ CAUTION: To prevent damage to the computer when you are removing or installing internal components, observe these precautions:

Keep components in their electrostatic-safe containers until you are ready to install them.

Use nonmagnetic tools.

Before touching an electronic component, discharge static electricity by using the guidelines described in this section.

Avoid touching pins, leads, and circuitry. Handle electronic components as little as possible.

If you remove a component, place it in an electrostatic-safe container.

The following table shows how humidity affects the electrostatic voltage levels generated by different activities.

⚠ CAUTION: A product can be degraded by as little as 700 V.

Typical electrostatic voltage levels			
Event	Relative humidity		
	10%	40%	55%
Walking across carpet	35,000 V	15,000 V	7,500 V
Walking across vinyl floor	12,000 V	5,000 V	3,000 V
Motions of bench worker	6,000 V	800 V	400 V
Removing DIPS from plastic tube	2,000 V	700 V	400 V
Removing DIPS from vinyl tray	11,500 V	4,000 V	2,000 V
Removing DIPS from Styrofoam	14,500 V	5,000 V	3,500 V
Removing bubble pack from PCB	26,500 V	20,000 V	7,000 V
Packing PCBs in foam-lined box	21,000 V	11,000 V	5,000 V

Packaging and transporting guidelines

Follow these grounding guidelines when packaging and transporting equipment:

- To avoid hand contact, transport products in static-safe tubes, bags, or boxes.
- Protect ESD-sensitive parts and assemblies with conductive or approved containers or packaging.
- Keep ESD-sensitive parts in their containers until the parts arrive at static-free workstations.
- Place items on a grounded surface before removing items from their containers.
- Always be properly grounded when touching a component or assembly.
- Store reusable ESD-sensitive parts from assemblies in protective packaging or nonconductive foam.
- Use transporters and conveyors made of antistatic belts and roller bushings. Be sure that mechanized equipment used for moving materials is wired to ground and that proper materials are selected to avoid static charging. When grounding is not possible, use an ionizer to dissipate electric charges.

Workstation guidelines

Follow these grounding workstation guidelines:

- Cover the workstation with approved static-shielding material.
- Use a wrist strap connected to a properly grounded work surface and use properly grounded tools and equipment.
- Use conductive field service tools, such as cutters, screwdrivers, and vacuums.
- When fixtures must directly contact dissipative surfaces, use fixtures made only of static-safe materials.
- Keep the work area free of nonconductive materials, such as ordinary plastic assembly aids and Styrofoam.
- Handle ESD-sensitive components, parts, and assemblies by the case or PCM laminate. Handle these items only at static-free workstations.
- Avoid contact with pins, leads, or circuitry.
- Turn off power and input signals before inserting or removing connectors or test equipment.

Equipment guidelines

Grounding equipment must include either a wrist strap or a foot strap at a grounded workstation.

- When seated, wear a wrist strap connected to a grounded system. Wrist straps are flexible straps with a minimum of one megohm $\pm 10\%$ resistance in the ground cords. To provide proper ground, wear a strap snugly against the skin at all times. On grounded mats with banana-plug connectors, use alligator clips to connect a wrist strap.
- When standing, use foot straps and a grounded floor mat. Foot straps (heel, toe, or boot straps) can be used at standing workstations and are compatible with most types of shoes or boots. On conductive floors or dissipative floor mats, use foot straps on both feet with a minimum of one megohm resistance between the operator and ground. To be effective, the conductive strips must be worn in contact with the skin.

The following grounding equipment is recommended to prevent electrostatic damage:

- Antistatic tape
- Antistatic smocks, aprons, and sleeve protectors
- Conductive bins and other assembly or soldering aids
- Nonconductive foam
- Conductive tabletop workstations with ground cords of one megohm resistance
- Static-dissipative tables or floor mats with hard ties to the ground
- Field service kits
- Static awareness labels
- Material-handling packages
- Nonconductive plastic bags, tubes, or boxes
- Metal tote boxes
- Electrostatic voltage levels and protective materials

The following table lists the shielding protection provided by antistatic bags and floor mats.

Material	Use	Voltage protection level
Antistatic plastic	Bags	1,500 V
Carbon-loaded plastic	Floor mats	7,500 V
Metallized laminate	Floor mats	5,000 V

Component replacement procedures

This section provides removal and replacement procedures.

There are many screws, in many different sizes, that must be removed, replaced, or loosened when servicing the computer. Make special note of each screw size and location during removal and replacement.

Service tag

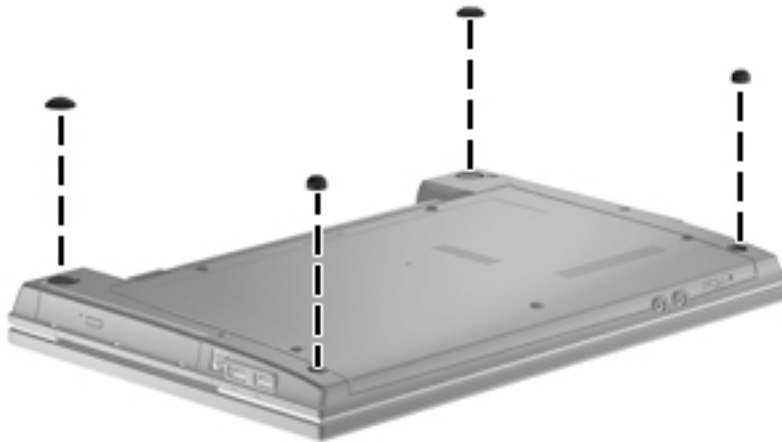
When ordering parts or requesting information, provide the computer serial number and model description provided on the service tag:

- (1)** Product name: This is the product name affixed to the front of the computer.
- (2)** Serial number (s/n): This is an alphanumeric identifier that is unique to each product.
- (3)** Part number/Product number (p/n): This number provides specific information about the product's hardware components. The part number helps a service technician to determine what components and parts are needed.
- (4)** Model description: This is the alphanumeric identifier used to locate documents, drivers, and support for the computer.
- (5)** Warranty period: This number describes the duration of the warranty period for this computer.



Computer feet

The computer feet are adhesive-backed rubber pads. The feet are included in the Rubber Kit, spare part number 605789-001 for **33.8-cm** (13.3-in) and **35.6-cm** (14.0-in) computers and in Rubber Kit 608931-001 for **39.6-cm** (15.6-in) computers. There are 4 rubber feet that attach to the base enclosure in the locations illustrated below.



Battery

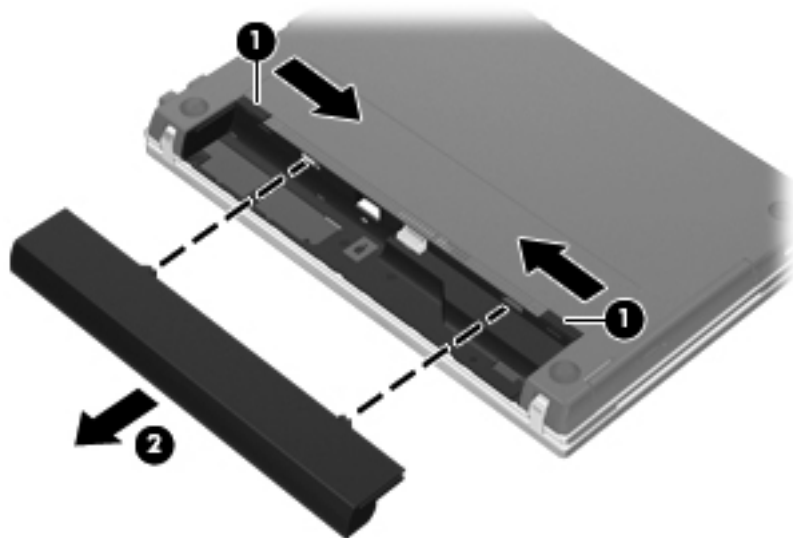
Description	Spare part number
9-cell, 93-Wh, 2.8-Ah Li-on battery	593573-001
6-cell, 47-Wh, 2.2-Ah Li-on battery	593572-001

Before disassembling the computer, follow these steps:

1. Shut down the computer. If you are unsure whether the computer is off or in Hibernation, turn the computer on, and then shut it down through the operating system.
2. Disconnect all external devices connected to the computer.
3. Disconnect the power from the computer by first unplugging the power cord from the AC outlet and then unplugging the AC adapter from the computer.

Remove the battery:

1. Turn the computer upside down on a flat surface with the battery bay toward you.
2. Slide the battery release latches **(1)** to release the battery.
3. Remove the battery **(2)** from the computer.



Install the battery by inserting it into the battery bay until you hear a click.

Service door

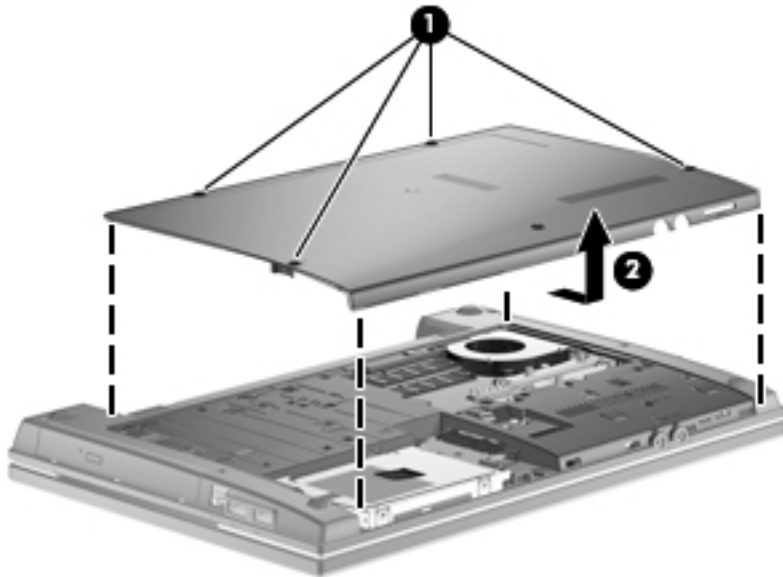
Description	Spare part number
For use in computers with 39.6-cm (15.6-in) displays	605785-001
For use in computers with 35.6-cm (14-in) and 33.8-cm (13.3-in) displays	605874-001

Before removing the service door follow these steps:

1. Shut down the computer. If you are unsure whether the computer is off or in Hibernation, turn the computer on, and then shut it down through the operating system.
2. Disconnect all external devices connected to the computer.
3. Disconnect the power from the computer by first unplugging the power cord from the AC outlet and then unplugging the AC adapter from the computer.
4. Remove the battery (see [Battery on page 56](#)).

Remove the service door on a **39.6-cm** (15.6-in) computer:

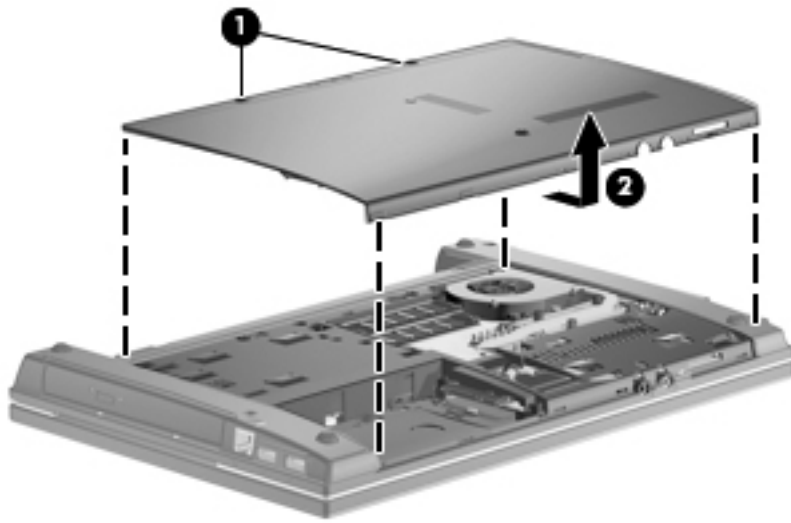
1. Remove four Phillips PM2.0×3.0 screws **(1)** that secure the service door to the computer.
2. Slide the service door **(2)** away from the computer.



Remove the service door on a **35.6-cm** (14-in) or **33.8-cm** (13.3-in) computer:

1. Remove two Phillips PM2.0×3.0 screws **(1)** that secure the service door to the computer.

2. Slide the service door **(2)** away from the computer.



Reverse this procedure to install the switch cover.

Hard drive



NOTE: The hard drive spare part kit includes a hard drive bracket.

Description	Spare part number
500-GB, 7200-rpm hard drive (replaces 614958-001)	608139-001
500-GB, 7200-rpm hard drive for use in computers with 39.6-cm (15.6-in) displays (replaces 614956-001 and 614523-001)	611029-001
320-GB, 7200 rpm (replaces 614957-001)	608138-001
320-GB, 7200-rpm hard drive for use in computers with 39.6-cm (15.6-in) displays (replaces 614955-001)	611028-001
250-GB, 7200-rpm (replaces 617441-001)	608137-001
250-GB, 7200-rpm hard drive for use in computers with 39.6-cm (15.6-in) displays	611027-001
250-GB, 5400-rpm	493994-001
160-GB, 7200-rpm for use in 39.6-cm (15.6-in) computers (replaces 615844-001)	614522-001
160-GB, 7200-rpm	455954-001
160-GB, 7200-rpm (replaces 651040-001)	652166-001

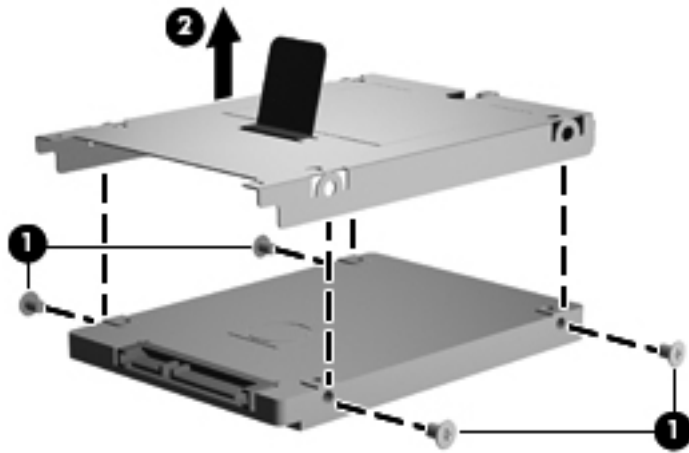
Before removing the hard drive, follow these steps:

1. Shut down the computer. If you are unsure whether the computer is off or in Hibernation, turn the computer on, and then shut it down through the operating system.
2. Disconnect all external devices connected to the computer.
3. Disconnect the power from the computer by first unplugging the power cord from the AC outlet and then unplugging the AC adapter from the computer.
4. Remove the battery (see [Battery on page 56](#)).
5. Remove the service door (see [Service door on page 56](#)).

Remove the hard drive from a **39.6-cm** (15.6-in) computer:

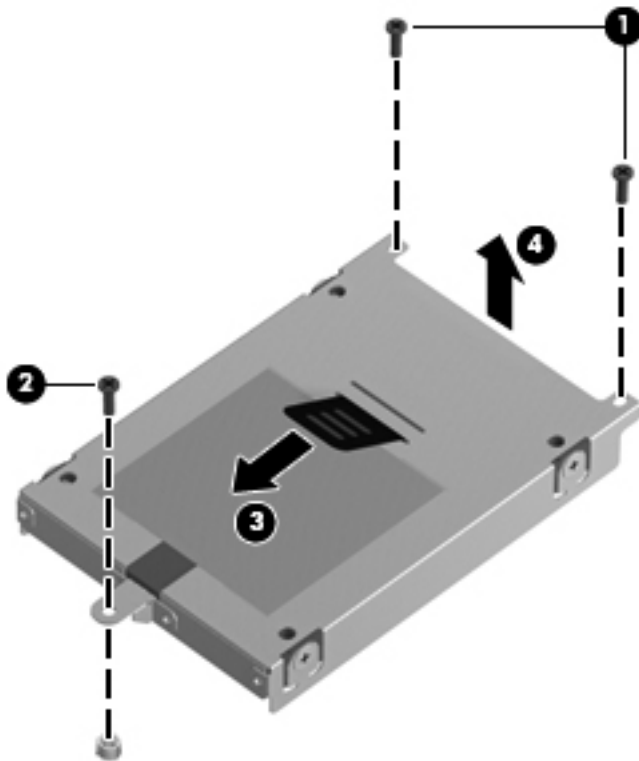
1. Position the computer right-side up with the front toward you.
2. Remove the two Phillips PM2.5×6.0 screws **(1)** and loosen the Phillips PM2.5×11.0 captive screw **(2)** that secure the hard drive to the computer.
3. Grasp the mylar tab on the hard drive and slide the hard drive **(3)** to the right to disconnect it from the system board.

4. Remove the hard drive **(4)** from the hard drive bay.



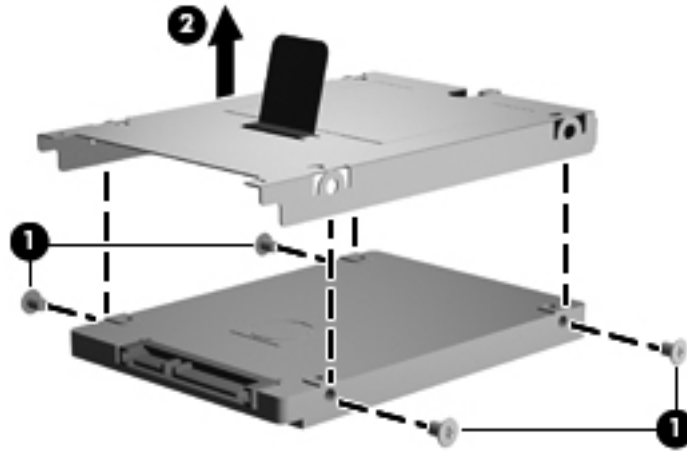
Remove the hard drive from a **35.6-cm** (14-in) or **33.8-cm** (13.3-in) computer:

1. Position the computer right-side up with the front toward you.
2. Remove the two Phillips PM2.5×6.0 screws **(1)** and the Phillips PM2.5×4.0 screw **(2)** that secure the hard drive to the computer.
3. Grasp the mylar tab on the hard drive and slide the hard drive **(3)** to the right to disconnect it from the system board.
4. Remove the hard drive **(4)** from the hard drive bay.



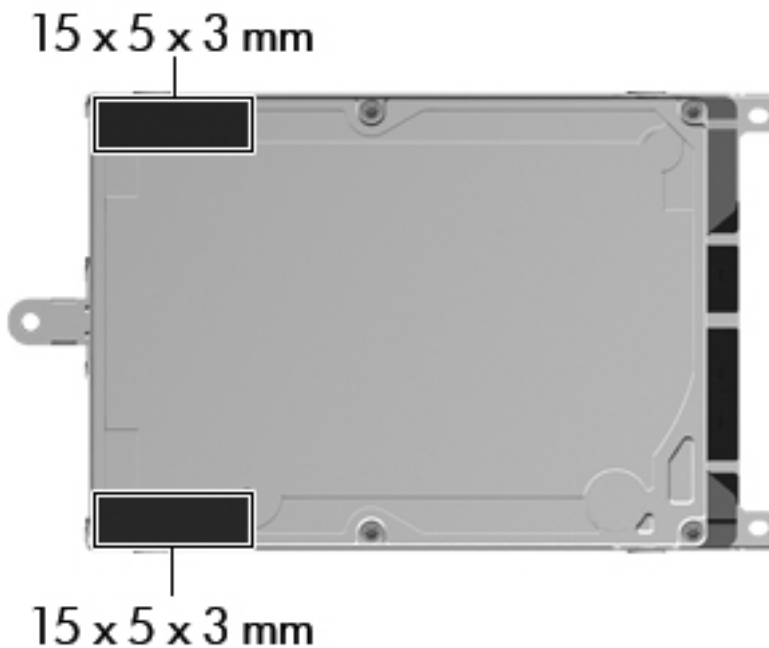
To remove the hard drive bracket, follow these steps:

1. If it is necessary to replace the hard drive bracket, remove the two Phillips PM3.0×4.0 hard drive bracket screws (1) from each side of the hard drive.
2. Lift the bracket (2) straight up to remove it from the hard drive.

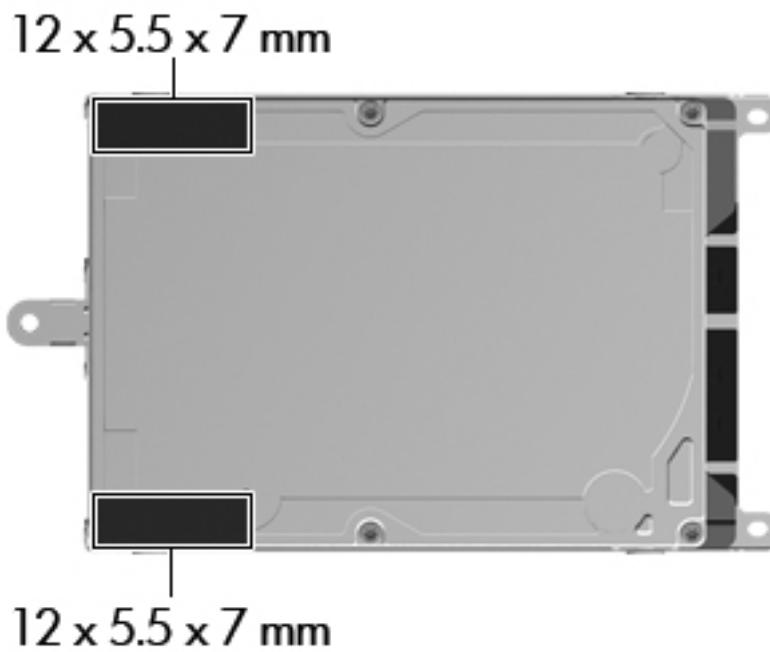


It is necessary to attach rubber or foam bumpers to drives and/or hard drive brackets before installing them in the computer.

For a **39.6-cm** (15.6-in) computer using a 9.5mm thick hard drive, attach 2 pieces of 15×5×3mm rubber from spares kit 652169-001 to the hard drive.



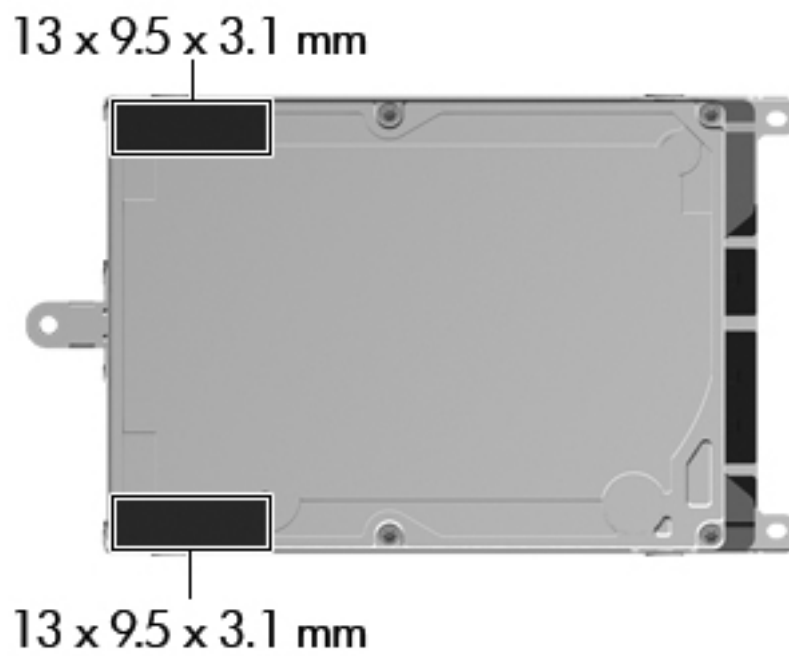
For a **39.6-cm** (15.6-in) computer using a 7.0mm thick hard drive, attach 2 pieces of 12×5.5×7mm rubber from spares kit 652169-001 to the hard drive.



For a **35.6-cm** (14-in) or **33.8-cm** (13.3-in) computer, attach 1 piece of the 90× 8×0.5 mm rubber bumper from spares kit 652168-001 to the outside of the hard drive bracket.



For a **35.6-cm** (14-in) or **33.8-cm** (13.3-in) computers using 7 mm thick hard drives, attach 2 pieces of 13×9.5×3.1 mm rubber bumper from spares kit 652168-001 to the hard drive.



After the rubber or foam bumpers have been attached, reverse the removal procedure to install the hard drive.

Memory module



NOTE: When adding a second memory module, be sure it is the same type and speed as the installed memory module.

Description	Spare part number
4-GB (PC3-10600, 1333-MHz, DDR3)	599092-002
2-GB (PC3-10600, 1333-MHz, DDR3)	598856-001
1-GB (PC3-10600, 1333-MHz, DDR3)	598859-001


Before removing the memory module, follow these steps:

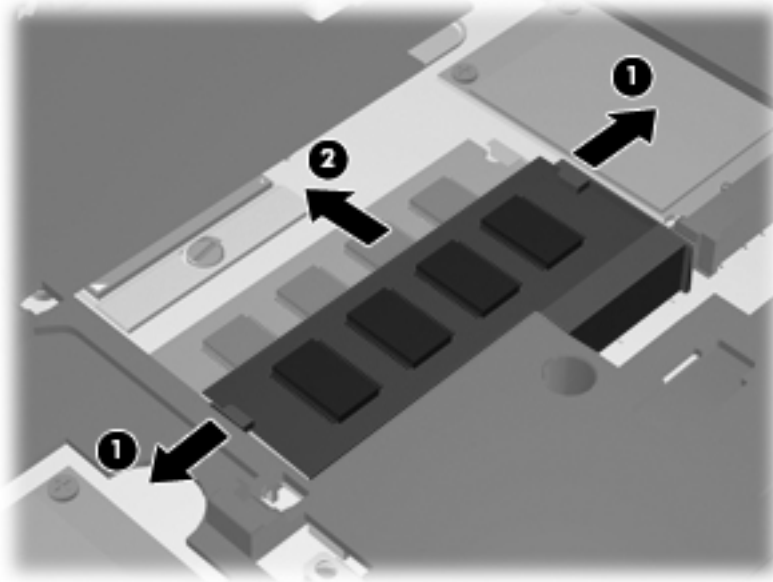
1. Shut down the computer. If you are unsure whether the computer is off or in Hibernation, turn the computer on, and then shut it down through the operating system.
2. Disconnect all external devices connected to the computer.
3. Disconnect the power from the computer by first unplugging the power cord from the AC outlet and then unplugging the AC adapter from the computer.
4. Remove the battery (see [Battery on page 56](#)).
5. Remove the service door (see [Service door on page 56](#)).

Remove the memory module:

1. Position the computer right-side up with the front toward you.
2. Spread the retaining tabs **(1)** on each side of the memory module slot to release the memory module. (The edge of the module opposite the slot rises away from the computer.)

3. Remove the memory module **(2)** by pulling the module away from the slot at an angle.

 **NOTE:** Memory modules are designed with a notch to prevent incorrect insertion into the memory module slot.



Reverse this procedure to install a memory module.

WLAN module

Description	Spare part number
Broadcom 4312 802.11b/g WLAN modules	
<ul style="list-style-type: none"> For use in Antigua and Barbuda, Barbados, Belize, Canada, the Cayman Islands, Guam, Puerto Rico, Trinidad and Tobago, the U.S. Virgin Islands, and the United States 	504593-003
<ul style="list-style-type: none"> For use in Afghanistan, Albania, Algeria, Andorra, Angola, Antigua and Barbuda, Argentina, Armenia, Aruba, Australia, Austria, Azerbaijan, the Bahamas, Bahrain, Bangladesh, Barbados, Belarus, Belgium, Belize, Benin, Bermuda, Bhutan, Bolivia, Bosnia and Herzegovina, Botswana, Brazil, the British Virgin Islands, Brunei, Bulgaria, Burkina Faso, Burundi, Cameroon, Cape Verde, the Central African Republic, Chad, Chile, the People's Republic of China, Colombia, Comoros, the Congo, Costa Rica, Croatia, Cyprus, the Czech Republic, Denmark, Djibouti, Dominica, the Dominican Republic, East Timor, Ecuador, Egypt, El Salvador, Equatorial Guinea, Eritrea, Estonia, Ethiopia, Fiji, Finland, France, French Guiana, Gabon, Gambia, Georgia, Germany, Ghana, Gibraltar, Greece, Grenada, Guadeloupe, Guatemala, Guinea, Guinea-Bissau, Guyana, Haiti, Honduras, Hong Kong, Hungary, Iceland, India, Ireland, Israel, Italy, the Ivory Coast, Jamaica, Jordan, Kazakhstan, Kenya, Kiribati, Kyrgyzstan, Laos, Latvia, Lebanon, Lesotho, Liberia, Liechtenstein, Lithuania, Luxembourg, Macedonia, Madagascar, Malawi, Malaysia, the Maldives, Mali, Malta, the Marshall Islands, Martinique, Mauritania, Mauritius, Mexico, Micronesia, Monaco, Mongolia, Montenegro, Morocco, Mozambique, Namibia, Nauru, Nepal, the Nether Antilles, the Netherlands, New Zealand, Nicaragua, Niger, Nigeria, Norway, Oman, Pakistan, Palau, Panama, Papua New Guinea, Paraguay, Peru, the Philippines, Poland, Portugal, the Republic of Moldova, Romania, Russia, Rwanda, Samoa, San Marino, Sao Tome and Principe, Saudi Arabia, Senegal, Serbia, the Seychelles, Sierra Leone, Singapore, Slovakia, Slovenia, the Solomon Islands, Somalia, South Africa, South Korea, Spain, Sri Lanka, St. Kitts and Nevis, St. Lucia, St. Vincent and the Grenadines, Suriname, Swaziland, Sweden, Switzerland, Taiwan, Tajikistan, Tanzania, Togo, Tonga, Trinidad and Tobago, Tunisia, Turkey, Turkmenistan, Tuvalu, Uganda, Ukraine, the United Arab Emirates, the United Kingdom, Uruguay, Uzbekistan, Vanuatu, Venezuela, Vietnam, Yemen, Zaire, Zambia, and Zimbabwe 	504593-004
Intel Wi-Fi Link 1000, 802.11b/g/n WLAN module	
<ul style="list-style-type: none"> For use in Andorra, Antigua and Barbuda, Argentina, Aruba, Australia, Austria, Azerbaijan, the Bahamas, Barbados, Belgium, Bolivia, Bosnia and Herzegovina, Brazil, Brunei, Bulgaria, Canada, Cayman Islands, Chile, China, Colombia, Costa Rica, Croatia, Cyprus, the Czech Republic, Denmark, the Dominican Republic, Ecuador, Egypt, El Salvador, Estonia, Finland, France, French Guiana, Guadeloupe, Guam, Georgia, Germany, Ghana, Greece, Guatemala, Haiti, Honduras, Hong Kong, Hungary, Iceland, India, Indonesia, Ireland, Israel, Italy, Ivory Coast, Jamaica, Japan, Jordan, Kenya, Kuwait, Kyrgyzstan, Latvia, Lebanon, Liechtenstein, Lithuania, Luxembourg, Malawi, Malaysia, Malta, Martinique, Mauritius, Mexico, Monaco, Montenegro, Morocco, the Nether Antilles, the Netherlands, New Zealand, Nicaragua, Nigeria, Oman, Pakistan, Panama, Paraguay, Peru, the Philippines, Poland, Portugal, Puerto Rico, Qatar, Romania, San Marino, Saudi Arabia, Senegal, Singapore, Slovakia, Slovenia, South Africa, South Korea, Spain, Sri Lanka, Sweden, Switzerland, Taiwan, Tanzania, Thailand, Trinidad and Tobago, Turkey, United Arab Emirates, the United Kingdom, the United States, Uruguay, the U.S. Virgin Islands, Venezuela, and Vietnam (replaced by 600370-001) 	572520-001
Broadcom 4313 802.11b/g/n (1x1) WiFi Adapter and 2070 Bluetooth and EDR Combo Adapter for use in all countries and regions	600370-001
Ralink RT3090 802.11b/g/n (1x1) WiFi Adapter and Bluetooth and EDR Combo Adapter for use in all countries and regions	602992-001
Broadcom 4313AGN 802.11a/b/g/draft-n WiFi Adapter	593836-0001

Description	Spare part number
Atheros 9285G 802.11 b/g/n WiFi Adapter for use in all countries and regions	605560-005
Realtek RTL8191SE802.11 b/g/n WiFi Adapter for use in all countries and regions	593533-001

CAUTION: To prevent an unresponsive system, replace the wireless module only with a wireless module authorized for use in the computer by the governmental agency that regulates wireless devices in your country or region. If you replace the module and then receive a warning message, remove the module to restore computer functionality, and then contact technical support through Help and Support.

Before removing the WLAN module, follow these steps:

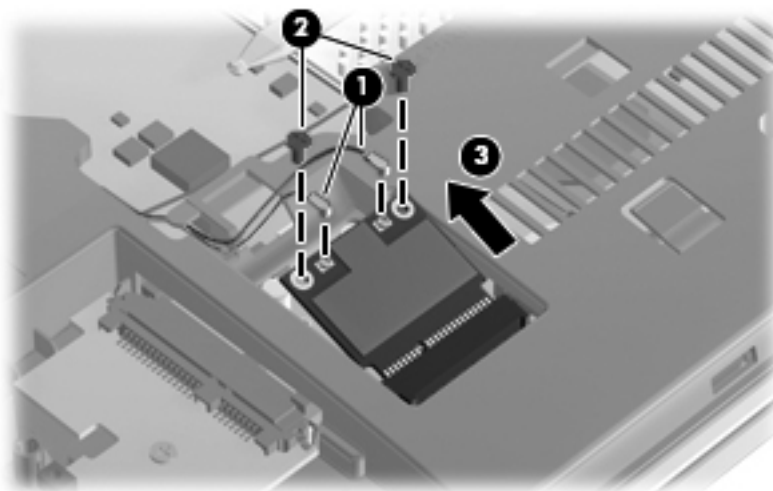
1. Shut down the computer. If you are unsure whether the computer is off or in Hibernation, turn the computer on, and then shut it down through the operating system.
2. Disconnect all external devices connected to the computer.
3. Disconnect the power from the computer by first unplugging the power cord from the AC outlet and then unplugging the AC adapter from the computer.
4. Remove the battery (see [Battery on page 56](#)).
5. Remove the service door (see [Service door on page 56](#)).

Remove the WLAN module:

1. Disconnect the WLAN antenna cables **(1)** from the terminals on the WLAN module.


NOTE: The black WLAN antenna cable is connected to the WLAN module “Main” terminal. The white WLAN antenna cable is connected to the WLAN module “Aux” terminal.

2. Remove the two Phillips PM2.0×2.5 screws **(2)** that secure the WLAN module to the computer. (The edge of the module opposite the slot rises away from the computer.)
3. Remove the WLAN module **(3)** by pulling the module away from the slot at an angle.



Reverse this procedure to install the WLAN module.

Optical drive

 **NOTE:** All optical drive spare part kits include an optical drive bezel.

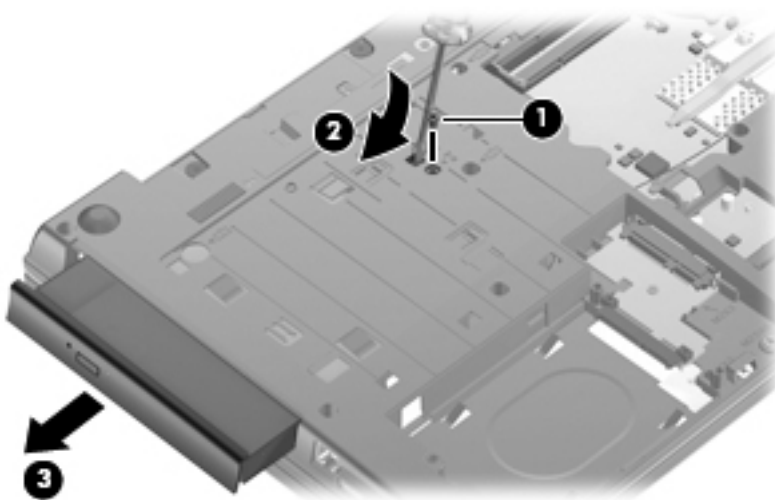
Description	Spare part number
DVD±RW Double-Layer Drive with LightScribe (includes bezel)	608141-001
DVD-ROM Drive (includes bezel)	608140-001

Before removing the optical drive, follow these steps:

1. Shut down the computer. If you are unsure whether the computer is off or in Hibernation, turn the computer on, and then shut it down through the operating system.
2. Disconnect all external devices connected to the computer.
3. Disconnect the power from the computer by first unplugging the power cord from the AC outlet and then unplugging the AC adapter from the computer.
4. Remove the battery (see [Battery on page 56](#)).
5. Remove the service door (see [Service door on page 56](#)).

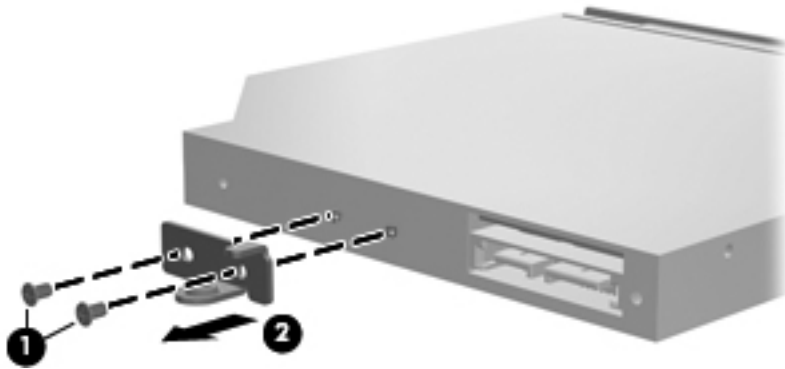
Remove the optical drive:

1. Position the computer with the right side toward you.
2. Remove the Phillips PM2.5×6.0 screw **(1)** that secures the optical drive to the computer.
3. Insert a flat-bladed screwdriver or similar tool into the optical drive tab access **(2)** and press the tab to the right to release the optical drive from the computer.
4. Remove the optical drive **(3)** from the computer.



5. If it is necessary to replace the optical drive bracket, position the optical drive with the rear toward you.

6. Remove the two Phillips PM2.0x2.0 screws **(1)** that secure the optical drive bracket to the optical drive.
7. Remove the optical drive bracket **(2)**.



Reverse this procedure to reassemble and install an optical drive.

Fan

Description	Spare part number
Fan for use in 39.6-cm (15.6-in) computers	605791-001
Fan for use in 35.6-cm (14.0-in) and 33.8-cm (13.3-in) computers	605787-001

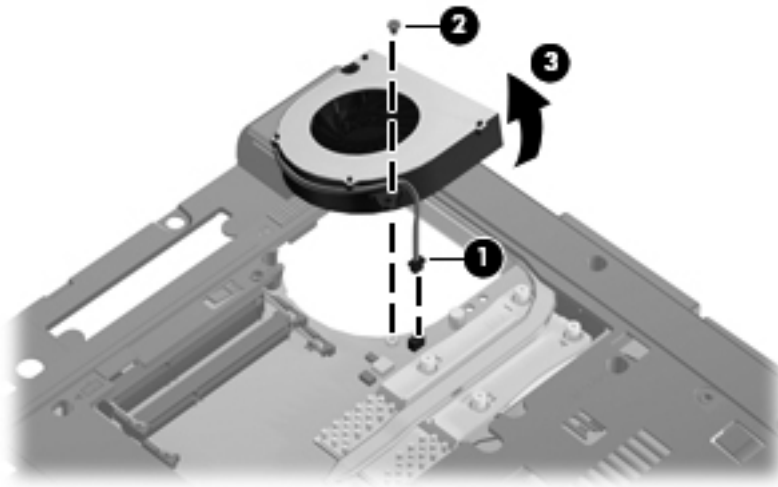
Before removing the fan, follow these steps:

1. Shut down the computer. If you are unsure whether the computer is off or in Hibernation, turn the computer on, and then shut it down through the operating system.
2. Disconnect all external devices connected to the computer.
3. Disconnect the power from the computer by first unplugging the power cord from the AC outlet and then unplugging the AC adapter from the computer.
4. Remove the battery (see [Battery on page 56](#)).
5. Remove the service door (see [Service door on page 56](#)).

Remove the fan:

1. Position the computer upside down with the front toward you.
2. Disconnect the fan cable **(1)** from the system board .

3. Remove the Phillips PM2.0×3.0 screw **(2)** that secures the fan, and then remove the fan **(3)**.



Reverse this procedure to install the fan.

Heat sink



NOTE: The heat sink spare part kit includes replacement thermal material.

Description	Spare part number
Heat sink for use in computers with UMA graphics subsystems	605749-001
Heat sink for use in computers with discrete graphics subsystems	605750-001

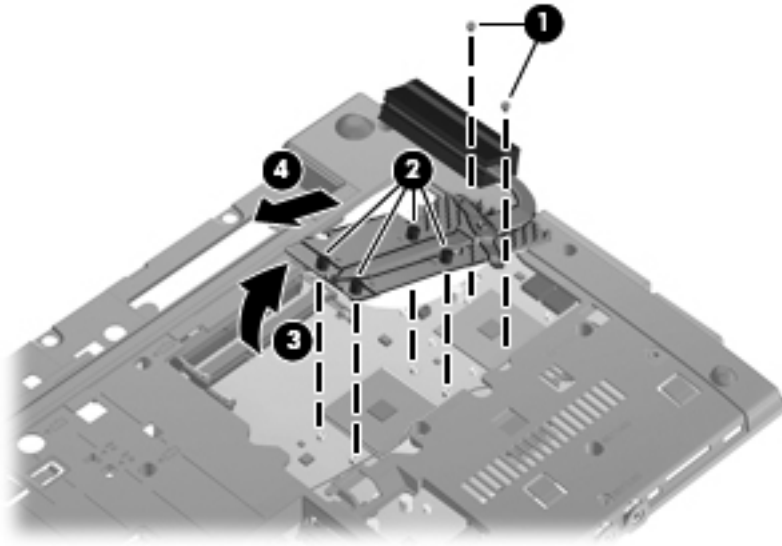
Before removing the heat sink, follow these steps:

1. Shut down the computer. If you are unsure whether the computer is off or in Hibernation, turn the computer on, and then shut it down through the operating system.
2. Disconnect all external devices connected to the computer.
3. Disconnect the power from the computer by first unplugging the power cord from the AC outlet and then unplugging the AC adapter from the computer.
4. Remove the battery (see [Battery on page 56](#)).
5. Remove the service door (see [Service door on page 56](#)).
6. Remove the fan (see [Fan on page 69](#)).

Remove the heat sink on computers with UMA graphics subsystems:

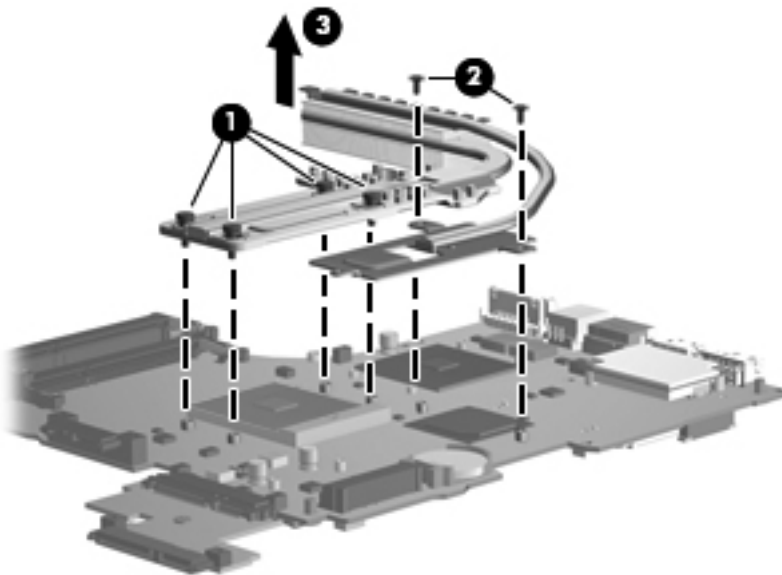
1. Position the computer right-side up with the front facing you.
2. Following the sequence stamped into the heat sink, loosen the captive screws **(1)** and **(2)** around the processor.

3. Raise the end of the heat sink **(3)** to free it from the system board components and then remove the heat sink **(4)** from the system board.




Remove the heat sink on computers with discrete graphics subsystems:

1. Position the computer right-side up with the front facing you.
2. Following the sequence stamped into the heat sink, loosen the captive screws **(1)** and **(2)** around the processor.
3. Lift the heat sink **(3)** from the system board.



Processor

 **NOTE:** The processor spare part kit includes replacement thermal material.

Description	Spare part number
Intel Celeron T1600, 1.66-GHz	532324-001
Intel Celeron T1700, 1.83-GHz	534084-001
Intel Celeron T3000, 1.8-GHz	572926-001
Intel Montevina T3100, 1.9-GHz	572925-001
Intel Montevina T3300, 2.0-GHz	592399-001
Intel Celeron 900, 2.2-GHz	534119-001
Intel Montevina T4200, 2.0-GHz	513599-001
Intel Montevina T4300, 2.1-GHz	572929-001
Intel Montevina T4500, 2.3-GHz	591880-001
Intel Montevina DC 2.2-GHz	584296-001
Intel Core 2 Duo T5870, 2.0-GHz	535835-001
Intel Montevina T6570, 2.1-GHz	513598-001
Intel Montevina T6670, 2.2-GHz	572927-001
Intel Montevina P7370, 2.0-GHz	507966-001
Intel Montevina P7570, 2.26-GHz	572930-001


Before removing the processor, follow these steps:

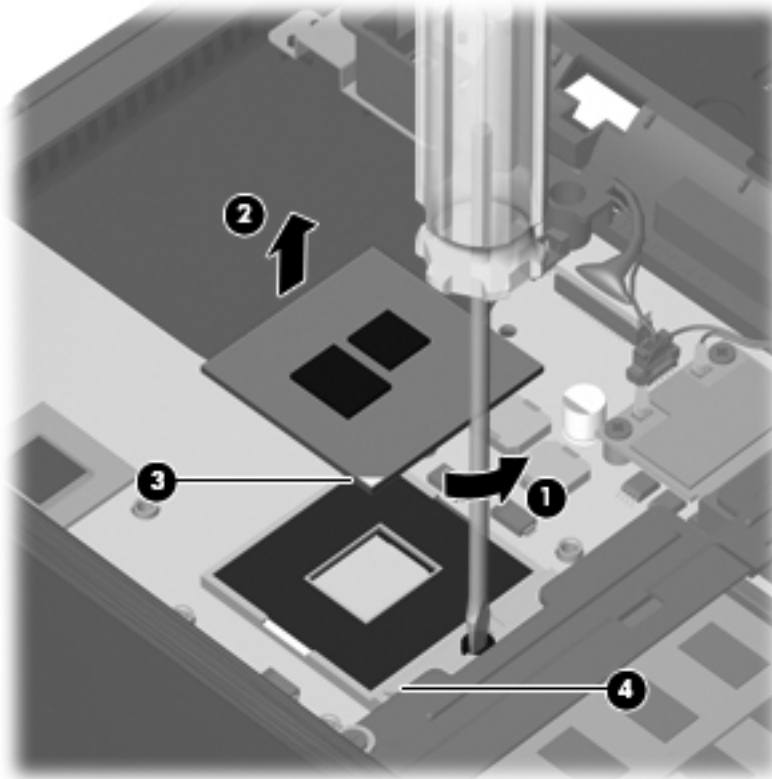
1. Shut down the computer. If you are unsure whether the computer is off or in Hibernation, turn the computer on, and then shut it down through the operating system.
2. Disconnect all external devices connected to the computer.
3. Disconnect the power from the computer by first unplugging the power cord from the AC outlet and then unplugging the AC adapter from the computer.
4. Remove the battery (see [Battery on page 56](#)).
5. Remove the service door (see [Service door on page 56](#)).
6. Remove the fan (see [Fan on page 69](#)).
7. Remove the heat sink (see [Heat sink on page 70](#)).

Remove the processor:

1. Position the computer right-side up with the front toward you.
2. Use a flat-bladed screwdriver to turn the processor locking screw **(1)** one-half turn counterclockwise until you hear a click.

3. Lift the processor **(2)** straight up and remove it.

 **NOTE:** When you install the processor, the gold triangle **(3)** on the processor must be aligned with the triangle **(4)** embossed on the processor socket.



Reverse this procedure to install the processor.

Palm rest

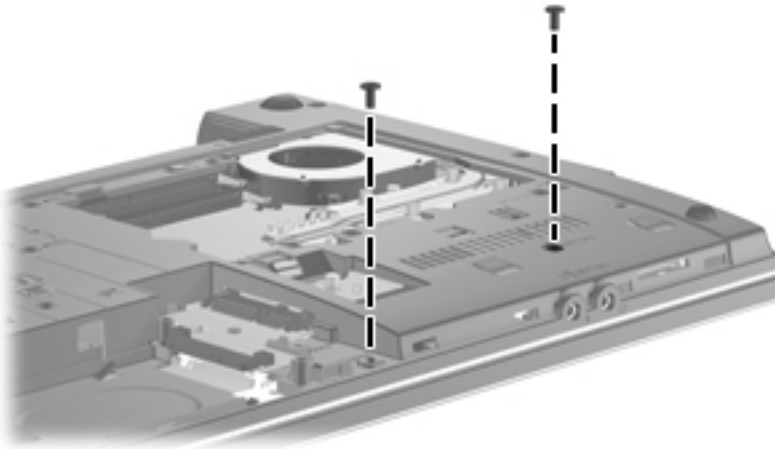
Description	Spare part number
Palm rest for Compaq units with 39.6-cm (15.6-in) displays (includes TouchPad)	605783-001
Palm rest for Compaq units with 39.6-cm (15.6-in) displays (includes TouchPad), red	626095-001
Palm rest for Compaq brand units with 35.6-cm (14-in) displays (includes TouchPad)	605781-001
Palm rest for Compaq brand units with 33.8-cm (13.3-in) displays (includes TouchPad)	605779-001
Palm rest for Compaq brand units with 33.8-cm (13.3-in) displays (includes TouchPad), red	616602-001
Palm rest for HP brand units with 39.6-cm (15.6-in) displays (includes TouchPad)	605782-001
Palm rest for HP brand units with 35.6-cm (14-in) displays (includes TouchPad)	605780-001

Before removing the palm rest, follow these steps:

1. Shut down the computer. If you are unsure whether the computer is off or in Hibernation, turn the computer on, and then shut it down through the operating system.
2. Disconnect all external devices connected to the computer.
3. Disconnect the power from the computer by first unplugging the power cord from the AC outlet and then unplugging the AC adapter from the computer.
4. Remove the battery (see [Battery on page 56](#)).
5. Remove the service door (see [Service door on page 56](#)).

Remove the palm rest on **39.6-cm** (15.6-in) computers:

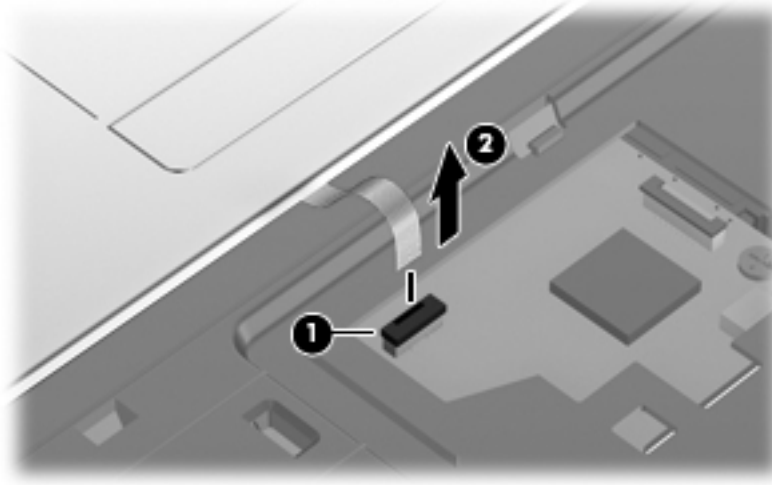
1. Position the computer upside down with the front toward you.
2. Remove the two Torx M2.5×6.0 screws that secure the palm rest to the computer.



3. Turn the computer over and pull up **(1)** on the top edge of the palm rest nearest the keyboard. With the palm rest at an angle, slide the unit **(2)** to release the latches at its base.



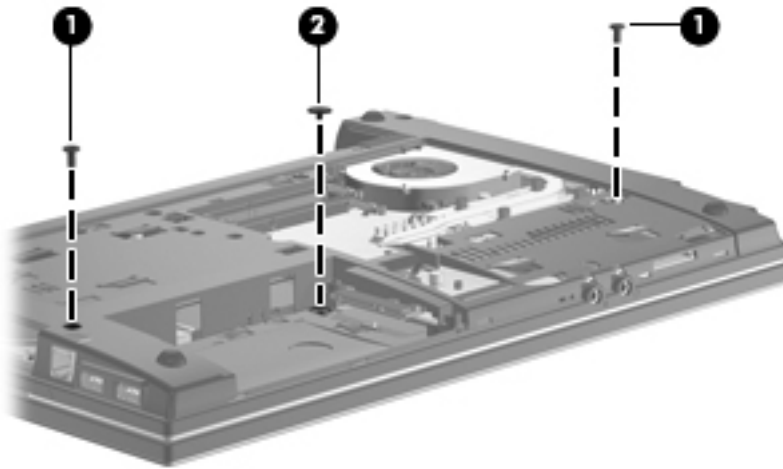
4. Release the ZIF connector **(1)** to which the TouchPad cable is connected, and then disconnect the cable **(2)** from the system board.



5. Remove the palm rest.

Remove the palm rest on **35.6-cm** (14-in) or **33.8-cm** (13.3-in) computers:

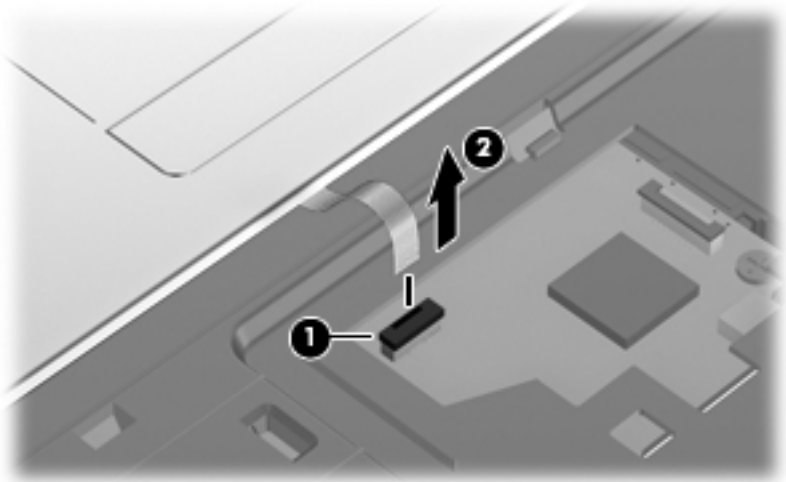
1. Position the computer upside down with the front toward you.
2. Remove the two Torx M2.5×6.0 screws **(1)** and one Phillips PM2.25×2.5 broadhead screw **(2)** that secure the palm rest to the computer.



3. Turn the computer over, rotate the palm rest up **(1)** and slide the palm rest to the right **(2)** to release it from the computer.



4. Release the ZIF connector **(1)** to which the TouchPad cable is connected, and then disconnect the cable **(2)** from the system board.

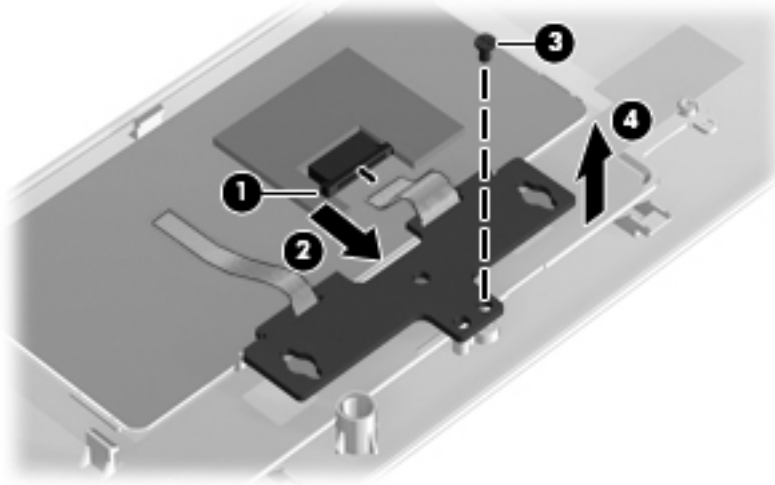


5. Remove the palm rest.

Remove the TouchPad board:

1. Lay the palm rest on a protected surface upside-down.
2. Release the ZIF connector **(1)** and disconnect the cable **(2)** from the socket.

3. Remove the single screw **(1)** that secures the TouchPad board to the palm rest and lift the TouchPad board **(2)** from the palm rest.



Reverse this procedure to install the TouchPad board.

Reverse this procedure to install the palm rest.

Keyboard

Description	Spare part number
Keyboards for use in computers with 39.6-cm (15.6-in) displays	605813-xx1
Keyboards for use in computers with 35.6-cm (14.3-in) and 33.8-cm (13.3-in) displays	605814-xx1

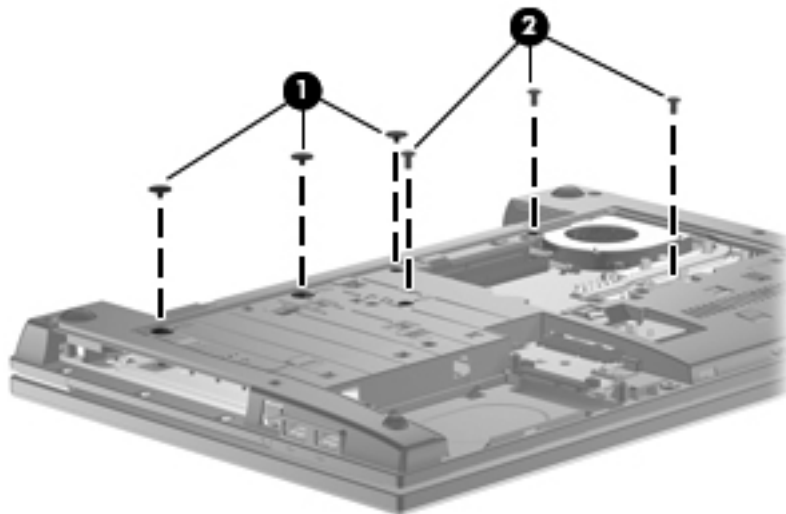
NOTE: For a detailed list of available keyboards, see [Sequential part number listing on page 40](#).

Before removing the keyboard, follow these steps:

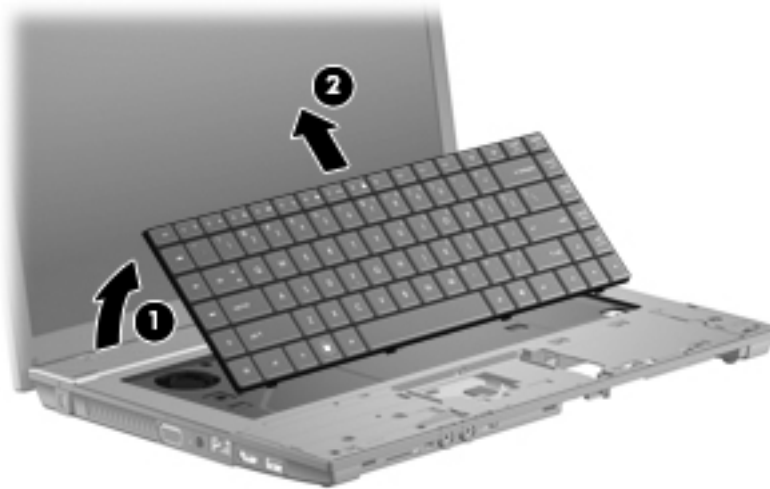
1. Shut down the computer. If you are unsure whether the computer is off or in Hibernation, turn the computer on, and then shut it down through the operating system.
2. Disconnect all external devices connected to the computer.
3. Disconnect the power from the computer by first unplugging the power cord from the AC outlet and then unplugging the AC adapter from the computer.
4. Remove the battery (see [Battery on page 56](#)).
5. Remove the service door (see [Service door on page 56](#)).
6. Remove the palm rest (see [Palm rest on page 73](#)).

Remove the keyboard on **39.6-cm** (15.6-in) computers:

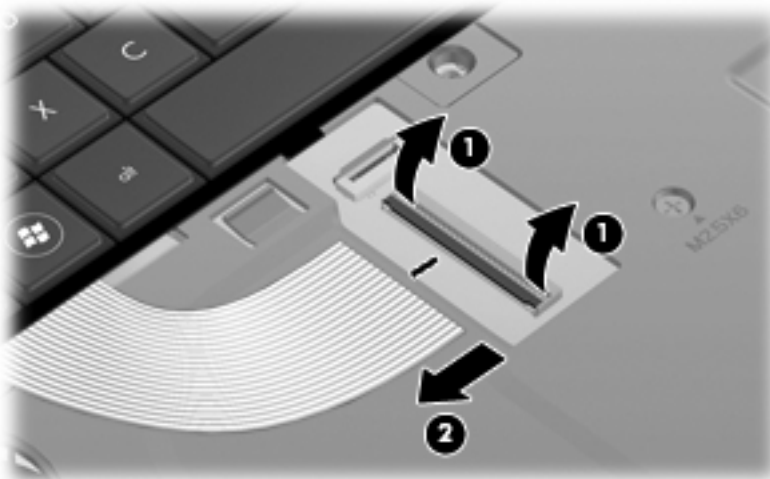
1. Position the computer upside down with the rear toward you.
2. Remove the three Phillips PM2.5×3.0 broadhead black screws **(1)** and three Torx M2.5×6.0 screws **(2)** that secure the keyboard.



3. Turn the unit over, lift the top edge of the keyboard (1) and slide it (2) towards the display.



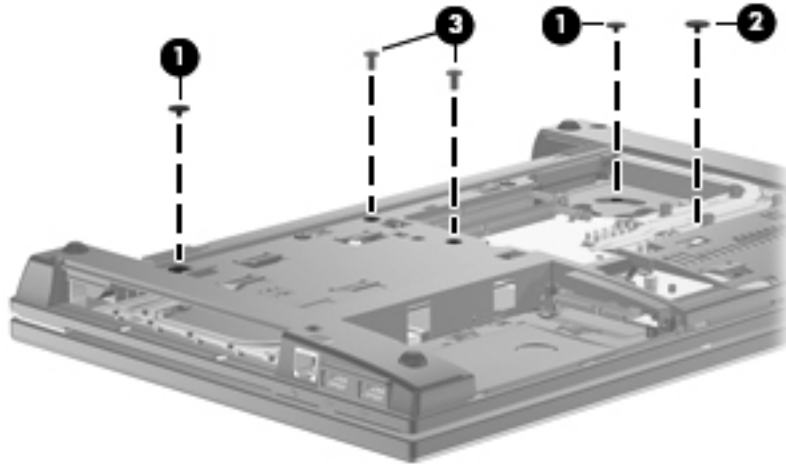
4. Rest the keyboard on its edge and slide the keyboard back toward the display then, release the ZIF connector (1) to which the keyboard cable is attached, and disconnect the keyboard cable (2) from the system board.



Remove the keyboard on **35.6-cm** (14.0-in) and **33.8-cm** (13.3-in) computers:

1. Position the computer upside down with the rear toward you.

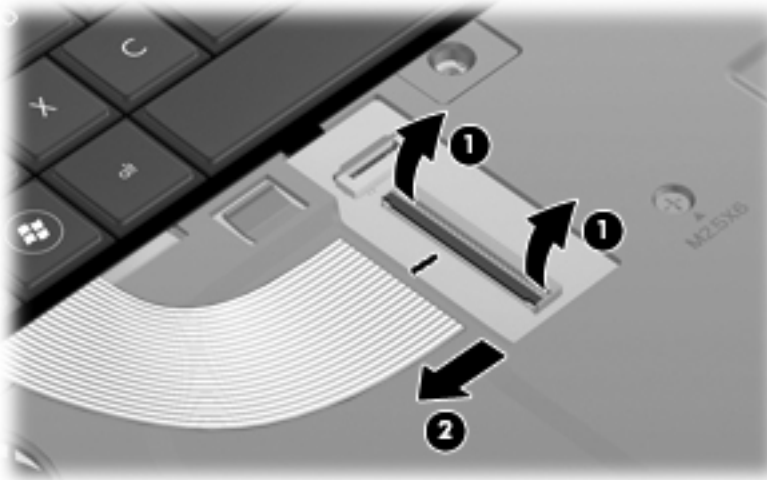
2. Remove two Phillips PM2.5×3.0 broadhead black screws **(1)**, one Phillips PM2.5×3.0 broadhead silver screw **(2)**, and two Torx M2.5×6.0 screws **(3)** that secure the keyboard.



3. Turn the unit over, lift the top edge of the keyboard **(1)** and slide it **(2)** towards the display.



4. Rest the keyboard on its edge and slide the keyboard back toward the display then, release the ZIF connector **(1)** to which the keyboard cable is attached, and disconnect the keyboard cable **(2)** from the system board.



Reverse this procedure to install the switch cover and keyboard.

Top cover

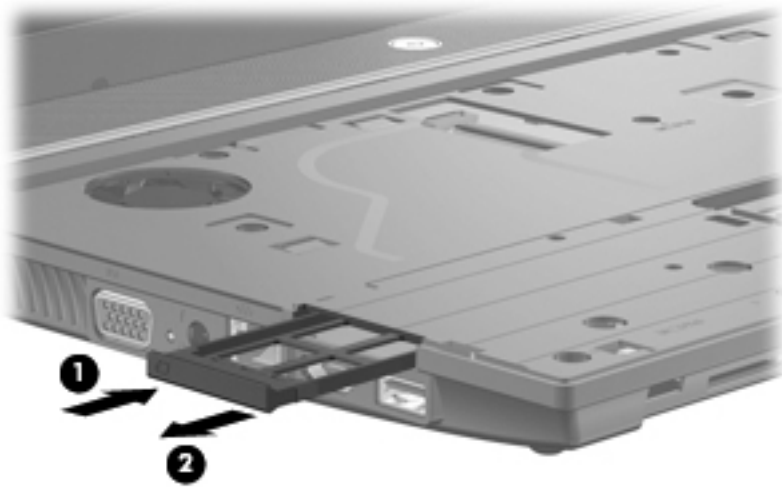
Description	Spare part number
Top cover for use in Compaq brand computers with 39.6-cm (15.6-in) displays	605778-001
Top cover for use in Compaq brand computers with 39.6-cm (15.6-in) displays, red	626093-001
Top cover for use in Compaq brand computers with 35.6-cm (14.0-in) displays	605776-001
Top cover for use in Compaq brand computers with 33.8-cm (13.3-in) displays	605774-001
Top cover for use in Compaq brand computers with 33.8-cm (13.3-in) displays, red	616601-001
Top cover for use in HP brand computers with 39.6-cm (15.6-in) displays	605777-001
Top cover for use in HP brand computers with 35.6-cm (14.0-in) displays	605775-001

Before removing the top cover, follow these steps:

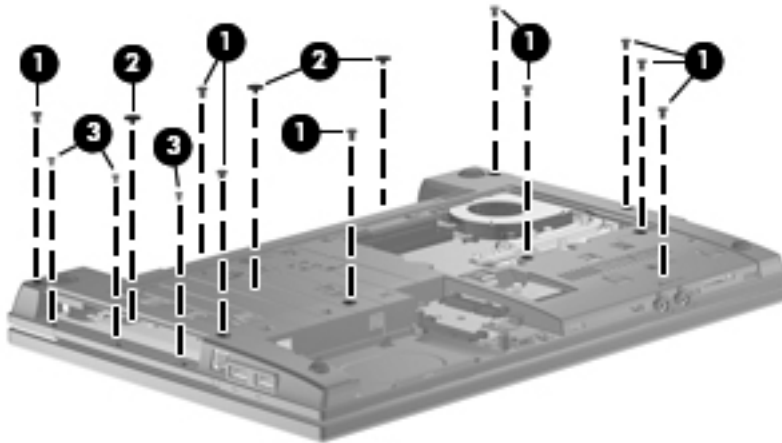
1. Shut down the computer. If you are unsure whether the computer is off or in Hibernation, turn the computer on, and then shut it down through the operating system.
2. Disconnect all external devices connected to the computer.
3. Disconnect the power from the computer by first unplugging the power cord from the AC outlet and then unplugging the AC adapter from the computer.
4. Remove the battery (see [Battery on page 56](#)).
5. Remove the service door (see [Service door on page 56](#)).
6. Remove the palm rest (see [Palm rest on page 73](#)).
7. Remove the keyboard (see [Keyboard on page 78](#)).

Remove the top cover on a **39.6-cm** (15.6-in) computer:

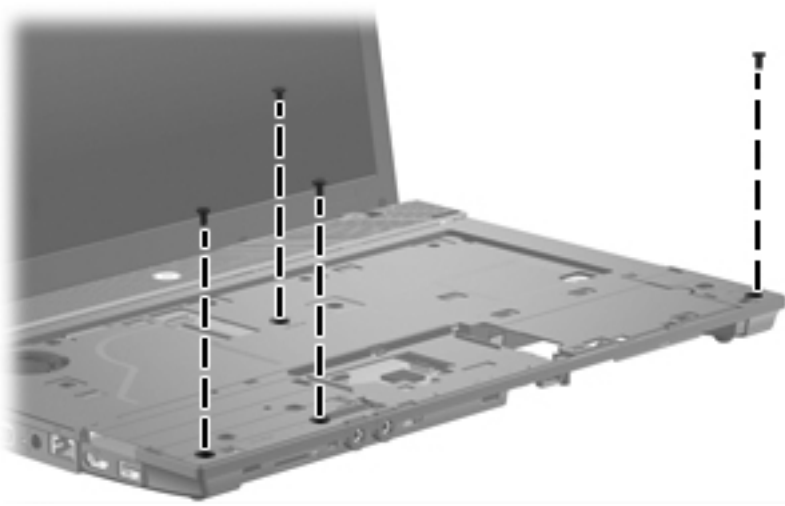
1. With the display panel in the open position, press in **(1)** of the ExpressCard to release it and then pull the card **(2)** from the computer.



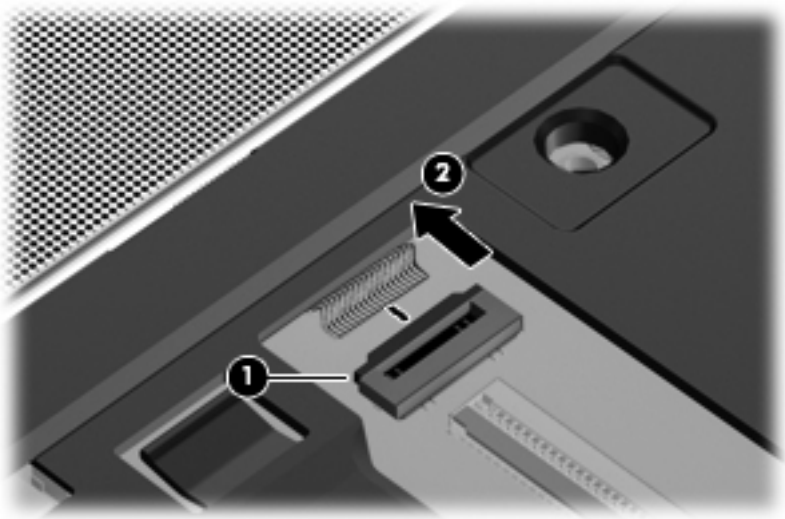
2. Position the computer upside down with the front toward you.
3. Remove the nine Torx M2.5×6.0 screws **(1)**, three Phillips PM2.5×3.0 black broadhead screws **(2)**, and three Phillips PM2.0×3.0 screws **(3)**.



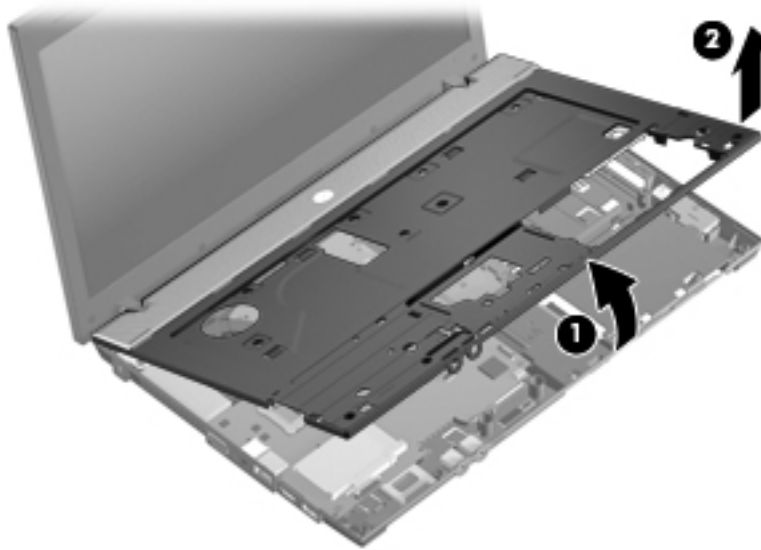
4. Turn the computer over so it is right-side up and remove four Torx M2.5×6.0 screws.



5. Release the ZIF connector (1) and remove the power switch cable (2).

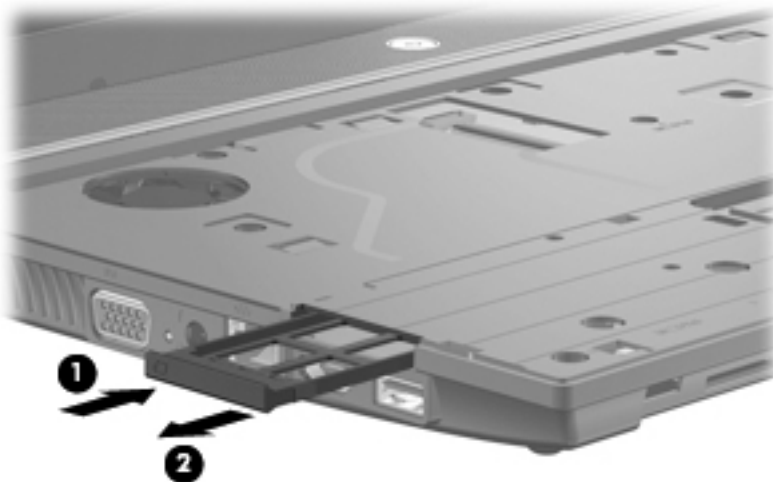


6. Rotate the top cover up **(1)** and remove it from the base enclosure **(2)**.



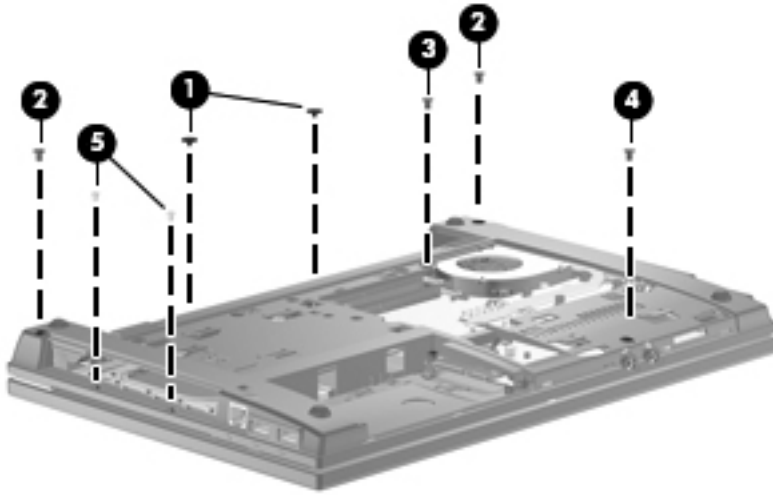
Remove the top cover on a **35.6-cm** (14.0-in) and **33.8-cm** (13.3-in) computer:

1. With the display panel in the open position, press in **(1)** of the ExpressCard to release it and then pull the card **(2)** from the computer.



2. Position the computer upside down with the front toward you.

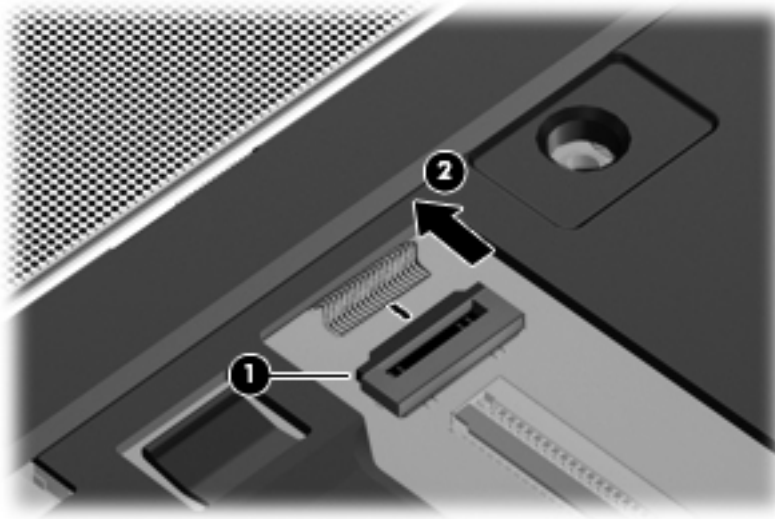
3. Remove the two Phillips PM2.0×2.0 screws **(1)** located in the battery bay, four Torx M2.5×6.0 screws **(2)**, **(3)**, and **(4)**, and the two Phillips PM2.0×3.0 screws **(5)** located in the recess near the optical drive.



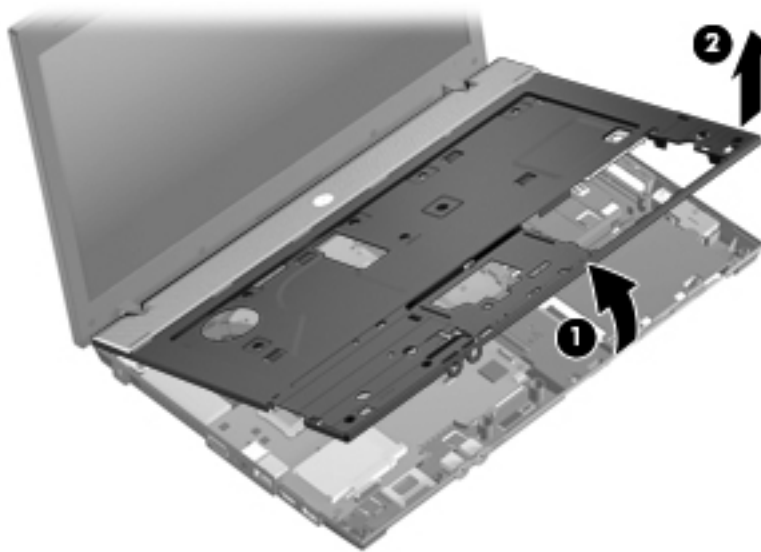
4. Turn the computer over so it is right-side up and remove five Torx M2.5×6.0 screws.



5. Release the ZIF connector **(1)** and disconnect the power switch cable **(2)**.



6. Rotate the top cover up **(1)** and off the base enclosure **(2)**.



Reverse this procedure to install the top cover.

Power switch board

The spare part number for the power switch board used in all models is 605794-001.

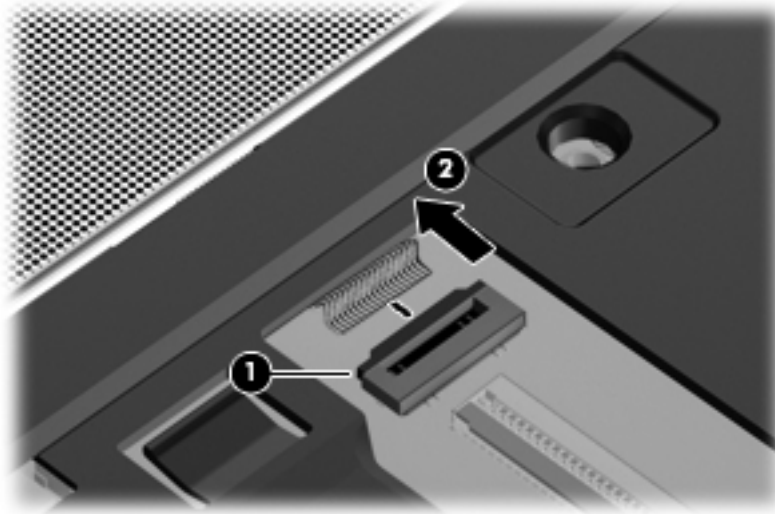
Before removing the power switch board, follow these steps:

1. Shut down the computer. If you are unsure whether the computer is off or in Hibernation, turn the computer on, and then shut it down through the operating system.
2. Disconnect all external devices connected to the computer.

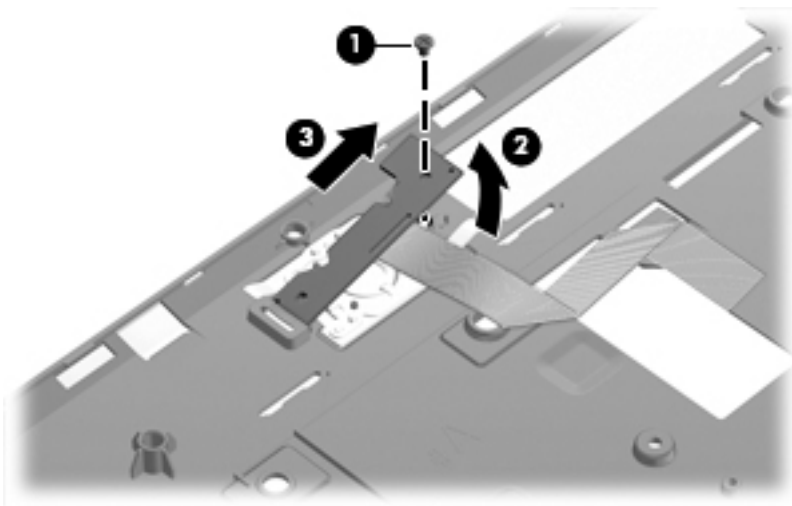
3. Disconnect the power from the computer by first unplugging the power cord from the AC outlet and then unplugging the AC adapter from the computer.
4. Remove the battery (see [Battery on page 56](#)).
5. Remove the service door (see [Service door on page 56](#)).
6. Remove the keyboard (see [Keyboard on page 78](#)).

Remove the power switch board:

1. Release the ZIF connector **(1)** and disconnect the ribbon cable **(2)** from the system board.




2. Remove the Phillips M2.5×3.0 broadhead screw **(1)** that secures the board to the base pan, raise the end of the board **(2)**, and then slide the board out of the retainer **(3)**.



Reverse this procedure to install the power button board.

Bluetooth module

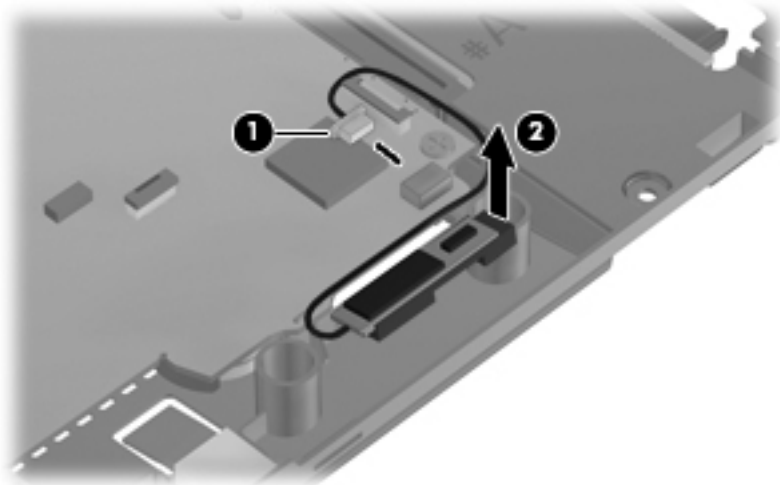
 **NOTE:** The Bluetooth module spare part number is 537921-002 and is used in all countries and regions except Japan and Asia Pacific countries and regions. The Bluetooth module cable is included in the Cable Kit, spare part number 605793-001. See [Cables on page 36](#) for more Cable Kit spare part number information.

Before removing the Bluetooth module, follow these steps:

1. Shut down the computer. If you are unsure whether the computer is off or in Hibernation, turn the computer on, and then shut it down through the operating system.
2. Disconnect all external devices connected to the computer.
3. Disconnect the power from the computer by first unplugging the power cord from the AC outlet and then unplugging the AC adapter from the computer.
4. Remove the battery (see [Battery on page 56](#)).
5. Remove the palm rest (see [Palm rest on page 73](#)).
6. Remove the keyboard (see [Keyboard on page 78](#)).
7. Remove the top cover (see [Top cover on page 82](#)).

Remove the Bluetooth module on **39.6-cm** (15.6-in) computers:

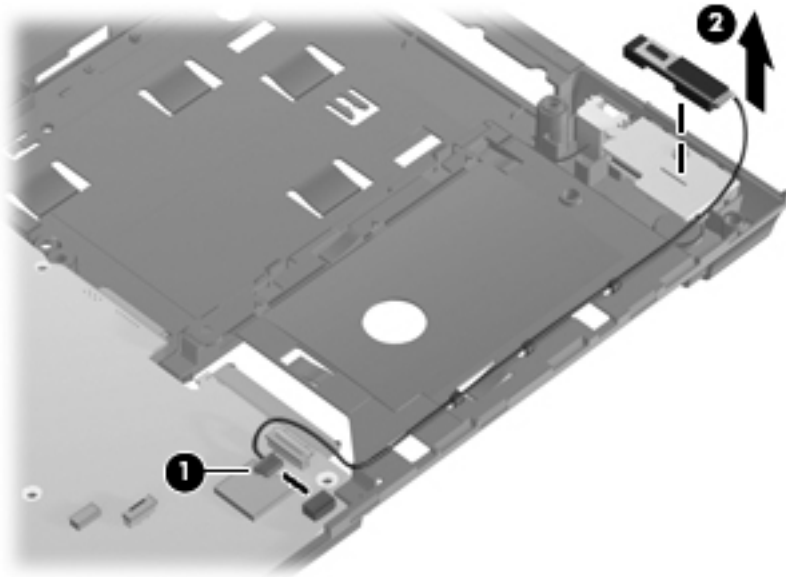
1. Position the computer right-side up with the front toward you.
2. Disconnect the Bluetooth cable **(1)** from the system board and remove the antenna **(2)** from the base enclosure. The antenna is held to the base enclosure with adhesive.



Remove the Bluetooth module on **35.6-cm** (14.0-in) and **33.8-cm** (13.3-in) computers:

1. Position the computer right-side up with the front toward you.

2. Disconnect the Bluetooth cable **(1)** from the system board and remove the antenna **(2)** from the base enclosure. The antenna is held to the base enclosure with adhesive.



Reverse this procedure to install the Bluetooth module.

USB connector assembly

The spare part number for the USB connector assembly used on all models is 605796-0001.

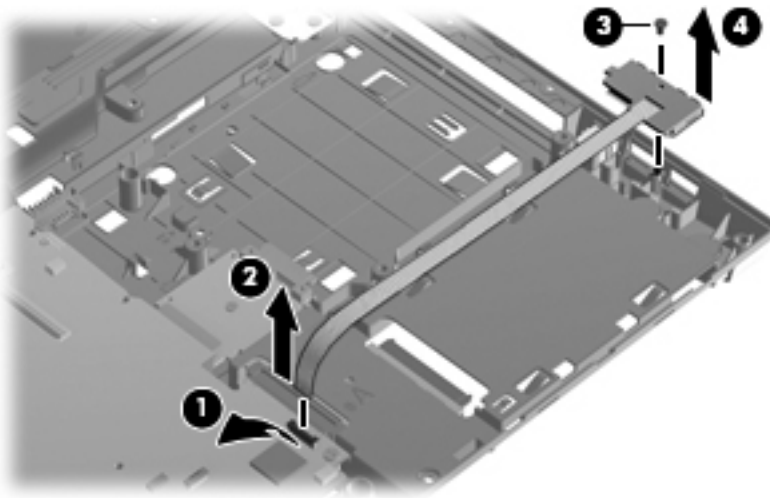
Before removing the USB connector assembly, follow these steps:

1. Shut down the computer. If you are unsure whether the computer is off or in Hibernation, turn the computer on, and then shut it down through the operating system.
2. Disconnect all external devices connected to the computer.
3. Disconnect the power from the computer by first unplugging the power cord from the AC outlet and then unplugging the AC adapter from the computer.
4. Remove the battery (see [Battery on page 56](#)).
5. Remove the palm rest (see [Palm rest on page 73](#)).
6. Remove the keyboard (see [Keyboard on page 78](#)).
7. Remove the top cover (see [Top cover on page 82](#)).

Remove the USB connector assembly on **39.6-cm** (15.6-in) computers:

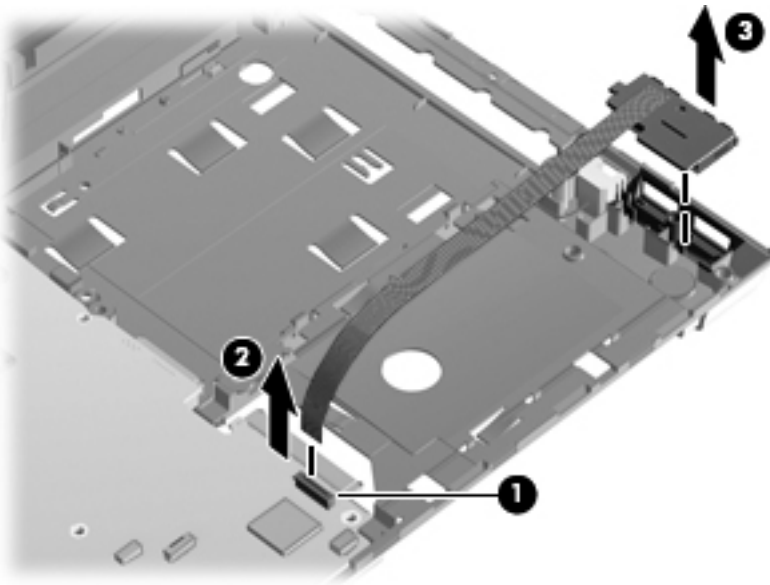
1. Position the computer right-side up with the right side toward you.
2. Release the ZIF connector **(1)** and remove the cable **(2)** from the system board.

3. Remove the Torx M2.5x6.0 screw (3) then, lift the USB connector assembly (4) from the base enclosure.



Remove the USB connector assembly on **35.6-cm** (14.0-in) and **33.8-cm** (13.3-in) computers:

1. Position the computer right-side up with the right side toward you.
2. Release the ZIF connector (1) and remove the cable (2) from the system board.
3. Lift the USB connector assembly (3) that is held on the base enclosure with adhesive.



Reverse this procedure to install the USB connector assembly.

Speaker

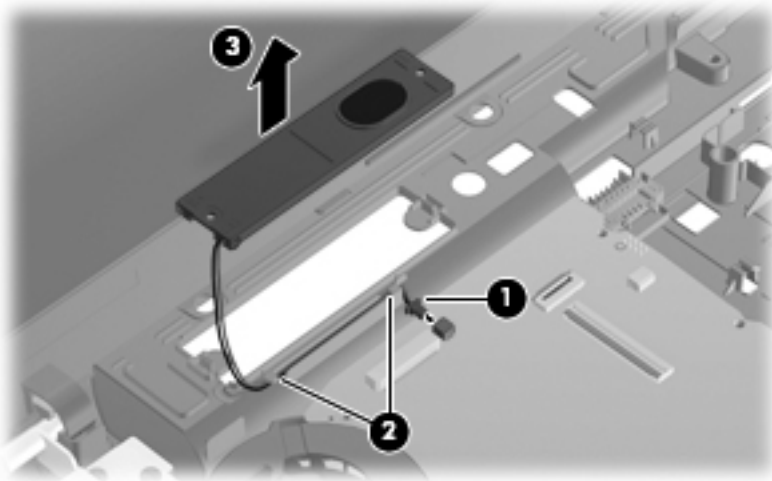
The spare part number for the speaker used in all models is 605792-001.

Before removing the speaker, follow these steps:

1. Shut down the computer. If you are unsure whether the computer is off or in Hibernation, turn the computer on, and then shut it down through the operating system.
2. Disconnect all external devices connected to the computer.
3. Disconnect the power from the computer by first unplugging the power cord from the AC outlet and then unplugging the AC adapter from the computer.
4. Remove the battery (see [Battery on page 56](#)).
5. Remove the service door (see [Service door on page 56](#)).
6. Remove the palm rest (see [Palm rest on page 73](#)).
7. Remove the keyboard (see [Keyboard on page 78](#)).
8. Remove the top cover (see [Top cover on page 82](#)).

Remove the speaker:

1. Disconnect the speaker cable from the connector **(1)** on the system board.
2. Release the cable from the cable retainers **(2)** then, push up on the speaker from the back **(3)** to remove it from the base enclosure.



Reverse this procedure to install the speaker.

Display assembly

Description	Spare part number
<ul style="list-style-type: none"> • 39.6-cm (15.6-in) HD BrightView display assembly for use in computers equipped with webcam (1366×768 resolution) 	605804-001
<ul style="list-style-type: none"> • 39.6-cm (15.6-in) HD BrightView display assembly for use in computers without webcam (1366×768 resolution) 	605803-001
<ul style="list-style-type: none"> • 39.6-cm (15.6-in) HD AntiGlare display assembly for use in computers equipped with webcam (1366×768 resolution) 	605802-001
<ul style="list-style-type: none"> • 39.6-cm (15.6-in) HD AntiGlare display assembly for use in computers equipped without webcam (1366×768 resolution) 	605801-001
<ul style="list-style-type: none"> • 39.6-cm (15.6-in) HD BrightView display assembly with LED back lighting for use in computers with webcam (1366×768 resolution), red 	626126-001
<ul style="list-style-type: none"> • 39.6-cm (15.6-in) HD BrightView display assembly for use in computers without webcam (1366×768 resolution), red 	626125-001
<ul style="list-style-type: none"> • 39.6-cm (15.6-in) HD AntiGlare display assembly for use in computers with webcam (1366×768 resolution), red 	626124-001
<ul style="list-style-type: none"> • 39.6-cm (15.6-in) HD AntiGlare display assembly for use in computers without webcam (1366×768 resolution), red 	626123-001
<ul style="list-style-type: none"> • 35.6-cm (14.0-in) HD BrightView display assembly for use in computers equipped with webcam (1366×768 resolution) 	605808-001
<ul style="list-style-type: none"> • 35.6-cm (14.0-in) HD BrightView display assembly for use in computers without webcam (1366×768 resolution) 	605807-001
<ul style="list-style-type: none"> • 35.6-cm (14.0-in) HD AntiGlare display assembly for use in computers equipped with webcam (1366×768 resolution) 	605806-001
<ul style="list-style-type: none"> • 35.6-cm (14.0-in) HD AntiGlare display assembly for use in computers without webcam (1366×768 resolution) 	605805-001
<ul style="list-style-type: none"> • 33.8-cm (13.3-in) HD BrightView display assembly for use in computers equipped with webcam and WLAN (1366×768 resolution) 	605812-001
<ul style="list-style-type: none"> • 33.8-cm (13.3-in) HD BrightView display assembly for use in computers with WLAN but without webcam (1366×768 resolution) 	605811-001
<ul style="list-style-type: none"> • 33.8-cm (13.3-in) HD AntiGlare display assembly for use in computers equipped with webcam and WLAN (1366×768 resolution) 	605810-001
<ul style="list-style-type: none"> • 33.8-cm (13.3-in) HD AntiGlare display assembly for use in computers with WLAN but without webcam (1366×768 resolution) 	605809-001
<ul style="list-style-type: none"> • 33.8-cm (13.3-in) HD AntiGlare display assembly for use in computers with WLAN and webcam (1366×768 resolution), red 	616598-001
<ul style="list-style-type: none"> • 33.8-cm (13.3-in) HD AntiGlare display assembly for use in computers with WLAN and without webcam (1366×768 resolution), red 	616597-001


Description	Spare part number
<ul style="list-style-type: none"> • 33.8-cm (13.3-in) HD BrightView display assembly for use in computers with WLAN and without webcam (1366×768 resolution), red 	616599-001
<ul style="list-style-type: none"> • 33.8-cm (13.3-in) HD BrightView display assembly with LED back lighting for use in computers with WLAN and webcam (1366×768 resolution), red 	616600-001

Before removing the display assembly, follow these steps:

1. Shut down the computer. If you are unsure whether the computer is off or in Hibernation, turn the computer on, and then shut it down through the operating system.
2. Disconnect all external devices connected to the computer.
3. Disconnect the power from the computer by first unplugging the power cord from the AC outlet and then unplugging the AC adapter from the computer.
4. Remove the battery (see [Battery on page 56](#)).
5. Remove the service door (see [Service door on page 56](#)).
6. Remove the palm rest (see [Palm rest on page 73](#)).
7. Remove the keyboard (see [Keyboard on page 78](#)).
8. Remove the top cover (see [Top cover on page 82](#)).

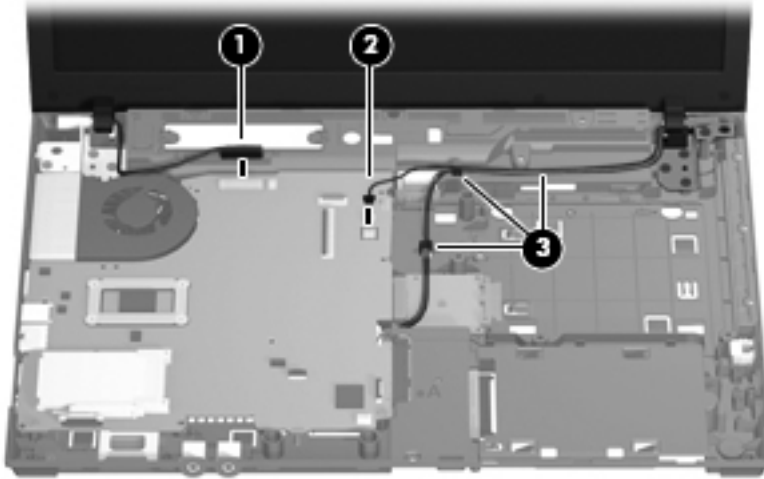
Remove the display on **39.6-cm** (15.6-in) computers:

1. Orient the computer in its normal position, face up with the display open as far as it will comfortably go.

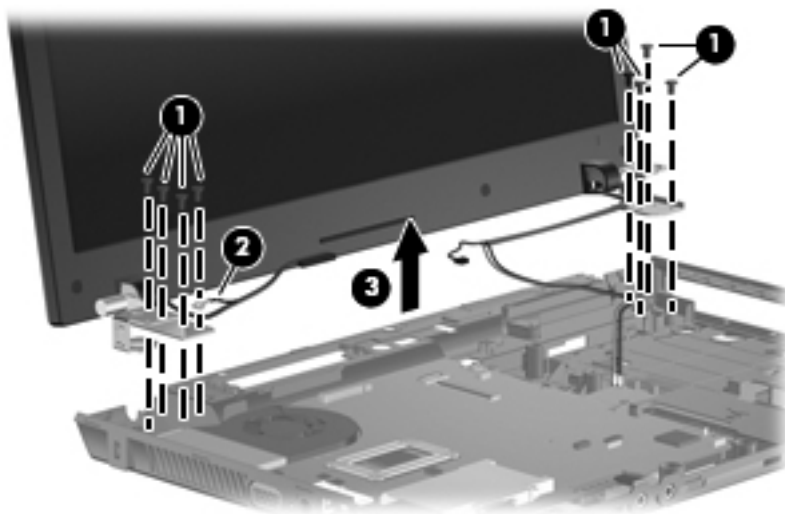
 **CAUTION:** Support the display assembly when removing the retaining screws. Failure to support the display assembly can result in damage to the display assembly and other computer components.

2. Disconnect the display cable **(1)** and the microphone cable **(2)** from the system board.

3. Release the WLAN cables from the cable run **(3)**, being careful when pulling them through the opening near the hard drive.



4. Remove eight Torx M2.5×6.0 screws **(1)** that secure the display to the base enclosure. Be careful of the grounding cable **(2)** that is secured by one of the hinge retaining screws.
5. Lift the display assembly **(3)** from the base enclosure.



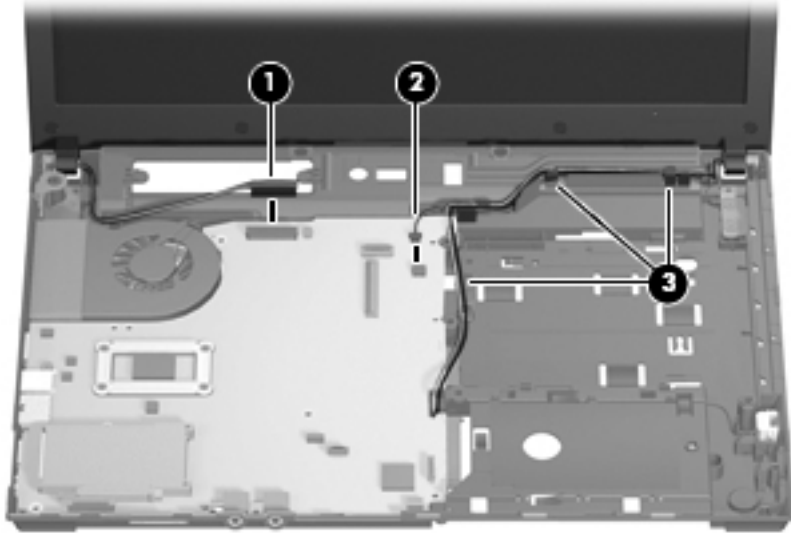
Remove the display on **35.6-cm** (14.0-in) and **33.8-cm** (13.3-in) computers:

1. Orient the computer in its normal position, face up with the display open as far as it will comfortably go.

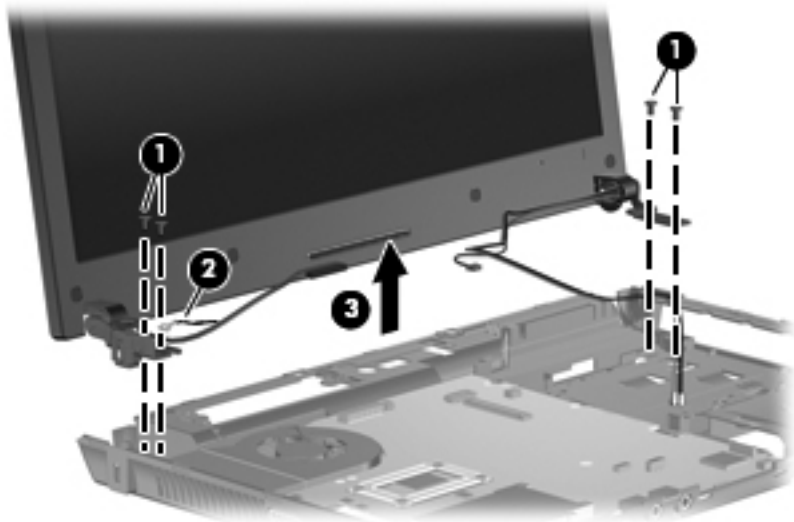
⚠ CAUTION: Support the display assembly when removing the retaining screws. Failure to support the display assembly can result in damage to the display assembly and other computer components.

2. Disconnect the display cable **(1)** and the microphone cable **(2)** from the system board.

3. Release the WLAN cables from the cable run **(3)**, being careful when pulling them through the opening near the hard drive.

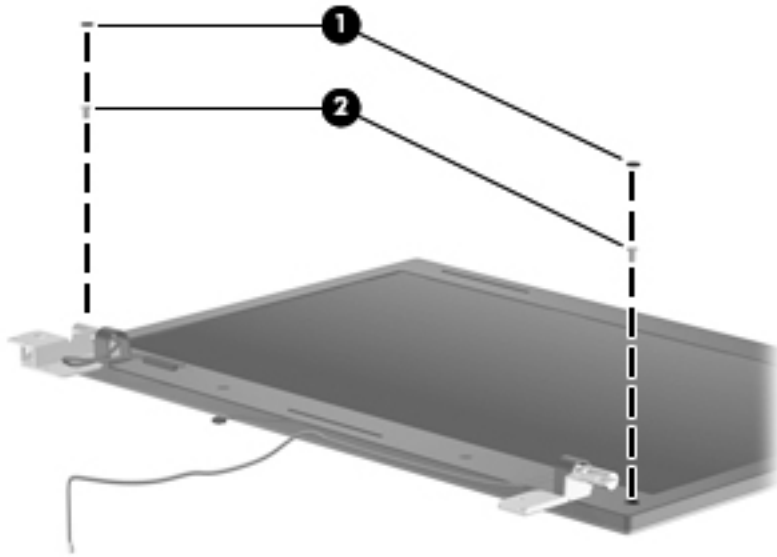


4. Remove four Torx M2.5×6.0 screws **(1)** that secure the display to the base enclosure. Be careful of the grounding cable **(2)** that is secured by one of the hinge retaining screws.
5. Lift the display assembly **(3)** from the base enclosure.

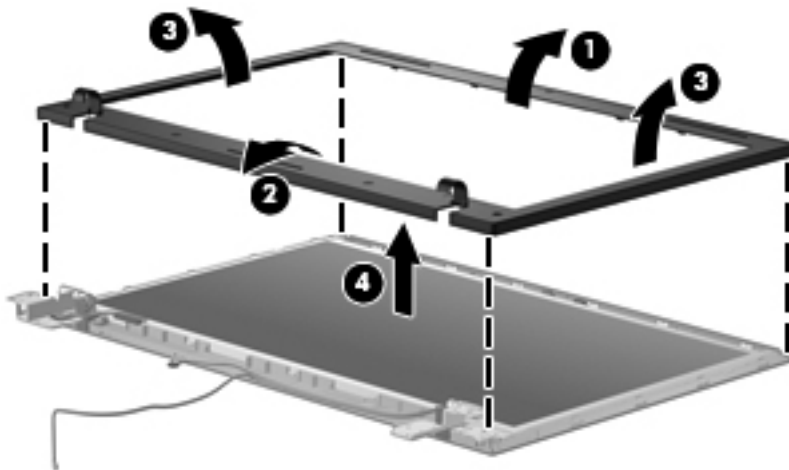


Remove the display assembly:

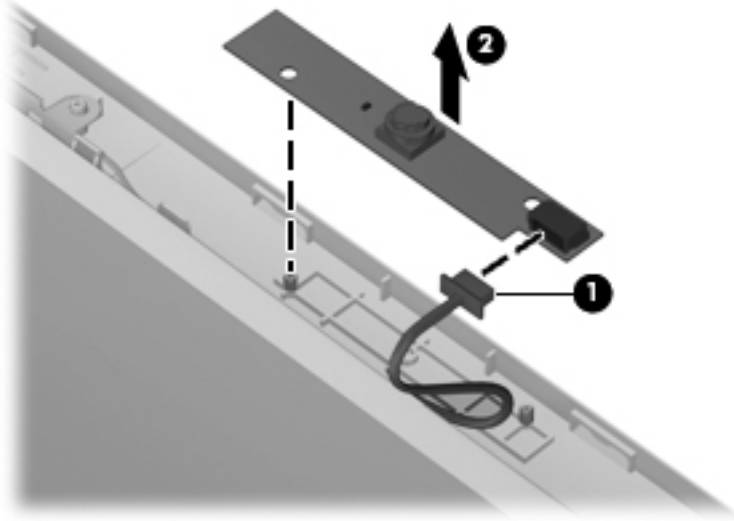
1. If it is necessary to replace the display bezel, display enclosure, or display hinges, remove the two mylar screw covers **(1)** and the 2 Phillips PM2.5×4.0 screws **(2)** that secure the display bezel to the display assembly. The screw covers are available in the Rubber Kit, spare part number 598678-001.




2. Starting at the top of the display, flex the bezel **(1)** and work around the periphery of the bezel **(2)** and **(3)** to release the bezel from the display enclosure .
3. Lift the bezel **(4)** from the display enclosure.

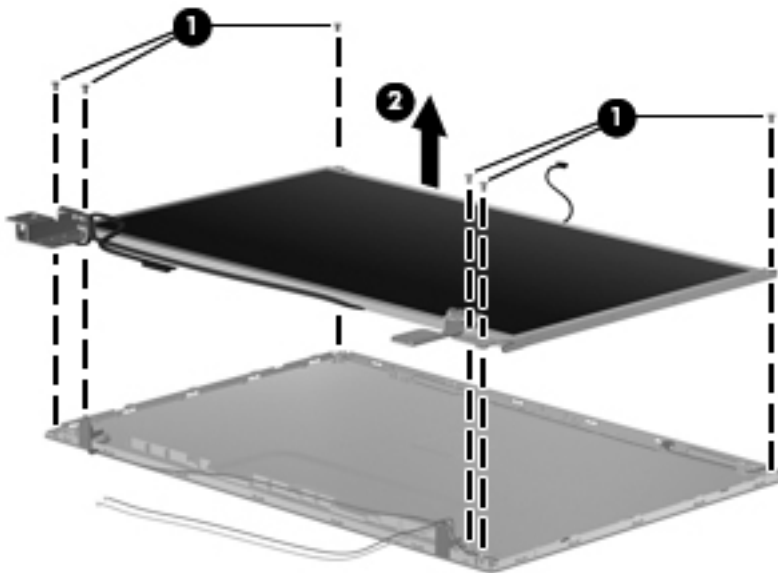


4. If it is necessary to replace the webcam module, disconnect the webcam cable from the module **(1)**, and pull the webcam module **(2)** that is attached with adhesive off the display enclosure. The webcam module can be ordered by using spare part number 611026-001.



 **NOTE:** To replace the webcam module in the display enclosure, align the holes on the webcam module with the pins on the display enclosure and press onto the double-sided tape.

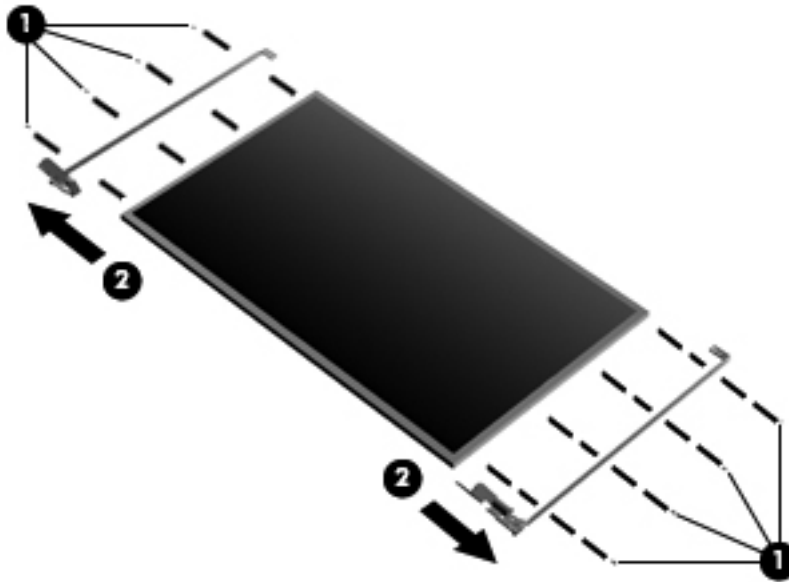
5. If it is necessary to replace the display hinges, remove the six Torx M2.5×6.0 screws **(1)** that secure the display panel to the display enclosure.
6. Lift the display panel up and out the housing **(2)**.



Remove the display hinges from a **39.6-cm** (15.6-in) computer:

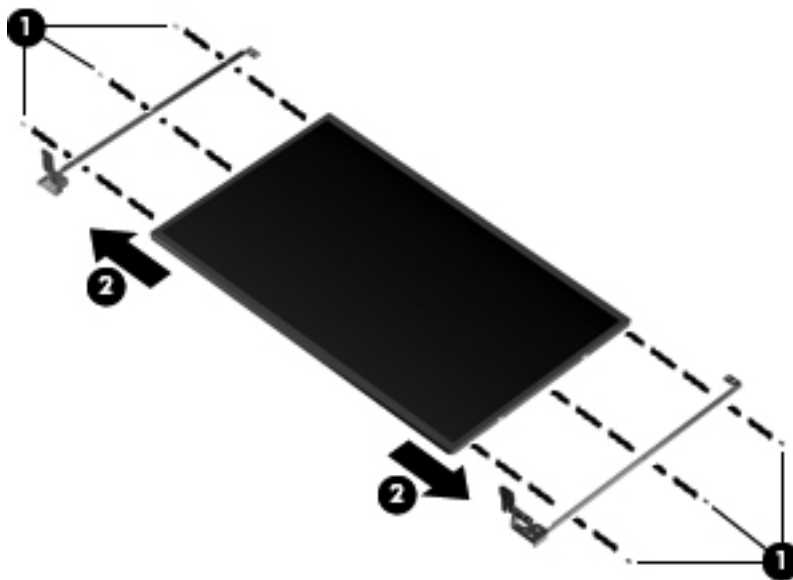
1. Remove the eight Phillips PM2.0×3.0 screws **(1)** that secure the display hinges to the display panel.

2. Remove the display hinges (**2**) by pulling them away from the display panel. The left and right display hinges are available in the Hinge Kit, spare part number 605769-001.



Remove the display hinges from **35.6-cm** (14.0-in) or **33.8-cm** (13.3-in) computers:

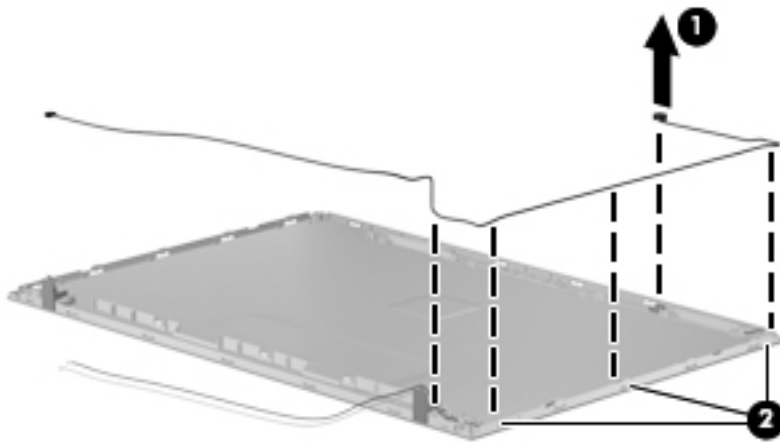
1. Remove the six Phillips PM2.0×3.0 screws (**1**) that secure the display hinges to the display panel
2. Remove the display hinges (**2**) by pulling them away from the display panel. The left and right display hinges are available in the Hinge Kit, spare part number 605769-001..



Remove the microphone:

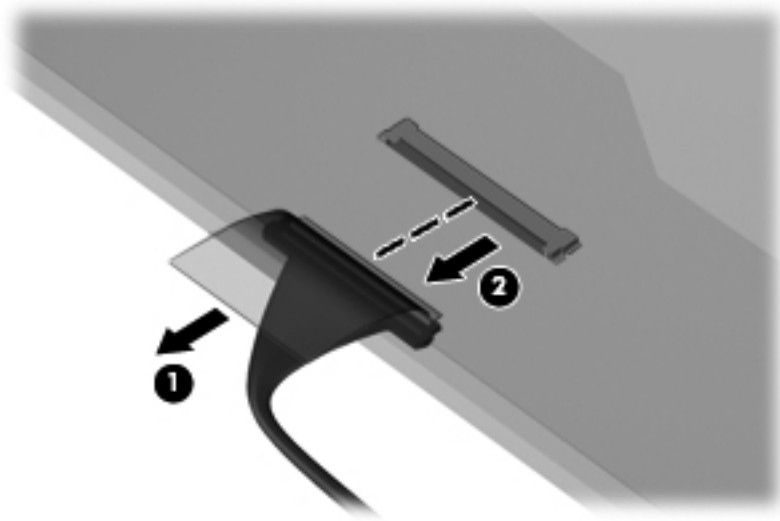
1. Pull the microphone from its socket (**1**) on the display enclosure.

2. Remove the microphone cable from the raceway **(2)** in the display enclosure.



To replace the display cable assembly:

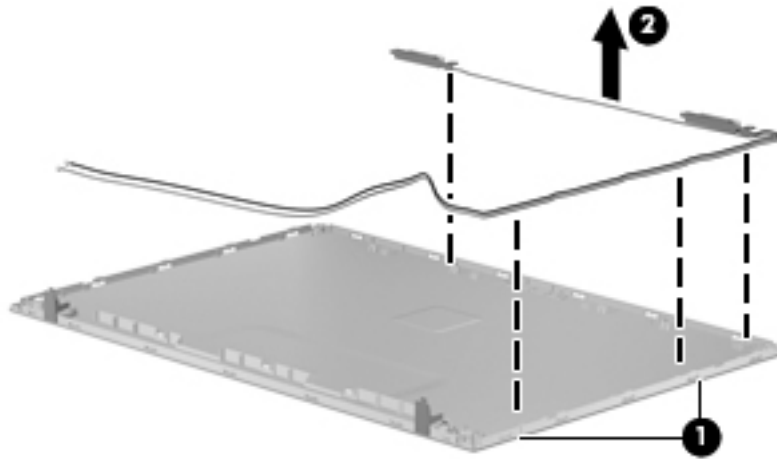
1. Place the display panel face down on a protected soft surface and remove the clear protector **(1)** that covers the cable connector on the back of the panel.
2. Remove the display cable **(2)** from the back of the display panel.



To remove the WLAN antennas:

1. Route the antenna cables **(1)** out of the routing channels in the inside of the display enclosure.

2. Peel the WLAN antenna receivers **(2)** from the enclosure



Reverse this procedure to assemble the display assembly.

System board



NOTE: The system board spare part kit includes replacement thermal material.

Description	Spare part number
System board with UMA graphics and RTC battery with GL40 chipset having 667-MHz FSB	605748-001
System board, Park XT, with discrete graphics and RTC battery with PM45 chipset having 1066-MHz FSB (for use in APJ only)	625491-001
System board with UMA graphics and RTC battery with GM45 chipset having 1066-MHz FSB	605747-001
System board with discrete graphics and RTC battery with PM45 chipset having 1066-MHz FSB	605746-001

Before removing the system board, follow these steps:

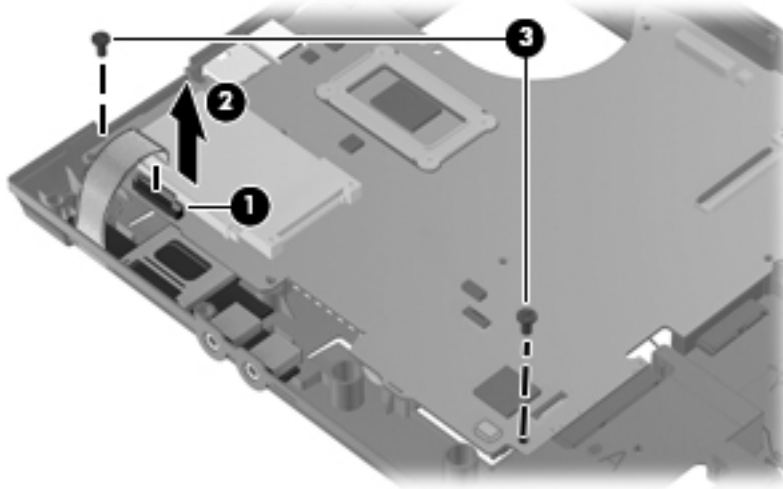
1. Shut down the computer. If you are unsure whether the computer is off or in Hibernation, turn the computer on, and then shut it down through the operating system.
2. Disconnect all external devices connected to the computer.
3. Disconnect the power from the computer by first unplugging the power cord from the AC outlet and then unplugging the AC adapter from the computer.
4. Remove the battery (see [Battery on page 56](#)).
5. Remove the service door (see [Service door on page 56](#)).
6. Remove the hard drive (see [Hard drive on page 59](#)).
7. Remove the optical drive (see [Optical drive on page 68](#)).
8. Remove the fan (see [Fan on page 69](#)).
9. Remove the palm rest (see [Palm rest on page 73](#)).
10. Remove the keyboard (see [Keyboard on page 78](#)).
11. Remove the top cover (see [Top cover on page 82](#)).

When replacing the system board, be sure that the following components are removed from the defective system board and installed on the replacement system board:

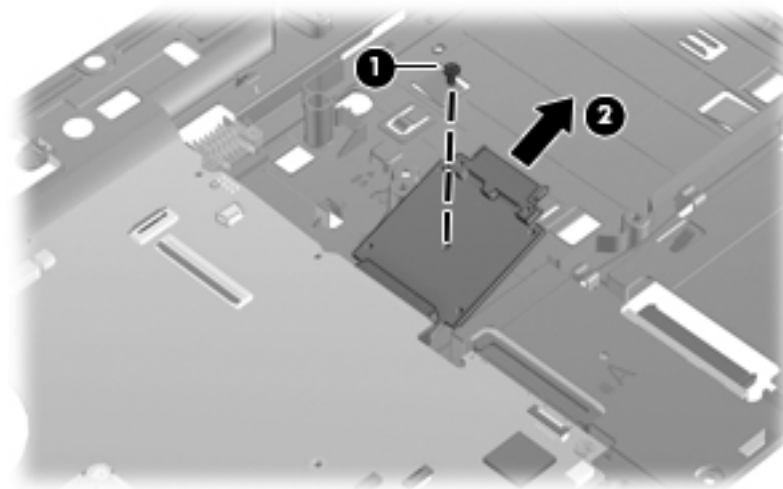
- Memory module (see [Memory module on page 64](#))
- WLAN module (see [WLAN module on page 66](#))
- Modem module (see [Modem module on page 109](#))
- Heat sink (see [Heat sink on page 70](#))
- Processor (see [Processor on page 71](#))
- Audio board (see [Audio board on page 111](#))

Remove the system board on a **39.6-cm** (15.6-in) computer:

1. Position the computer with the front toward you.
2. Release the audio ZIF connector **(1)** and disconnect the cable **(2)** from the left edge of the system board.
3. Remove the two Phillips M2.0×3.0 screws **(3)** that secure the system board to the base enclosure.

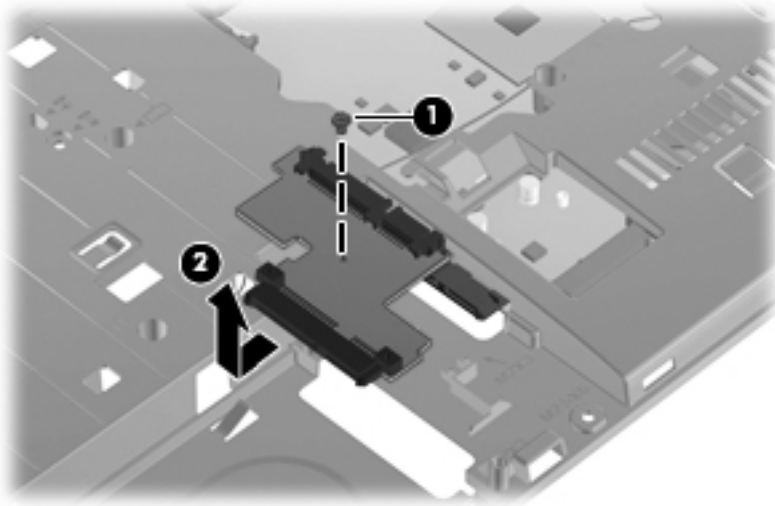


4. Remove the optical drive extender by first removing the Phillips PM2.0×3.0 screw **(1)** that secures the extender to the base enclosure.
5. Lift the system board slightly and then pull the extender straight out **(2)** from the system board.

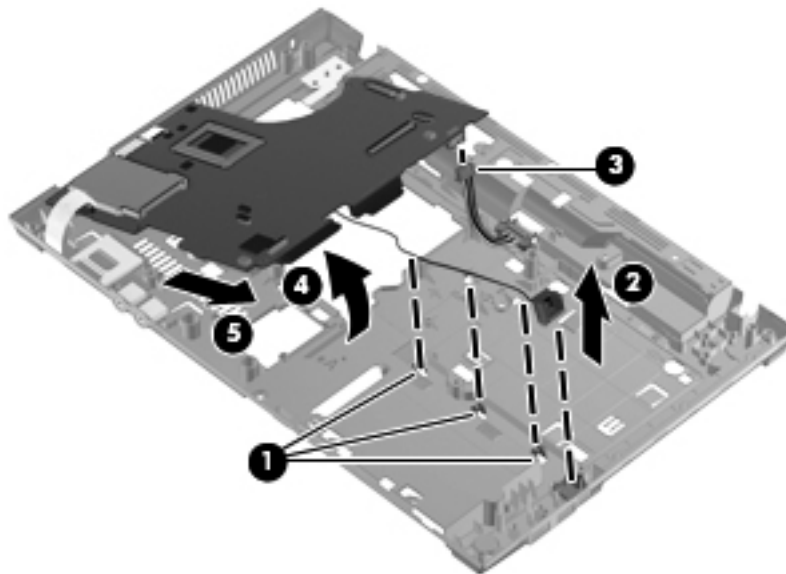


6. Remove the hard drive extender by first removing the Phillips PM2.0×3.0 screw **(1)** that secures the extender to the base enclosure.

7. Pull the extender out **(2)** of the system board and lift it from the base enclosure.



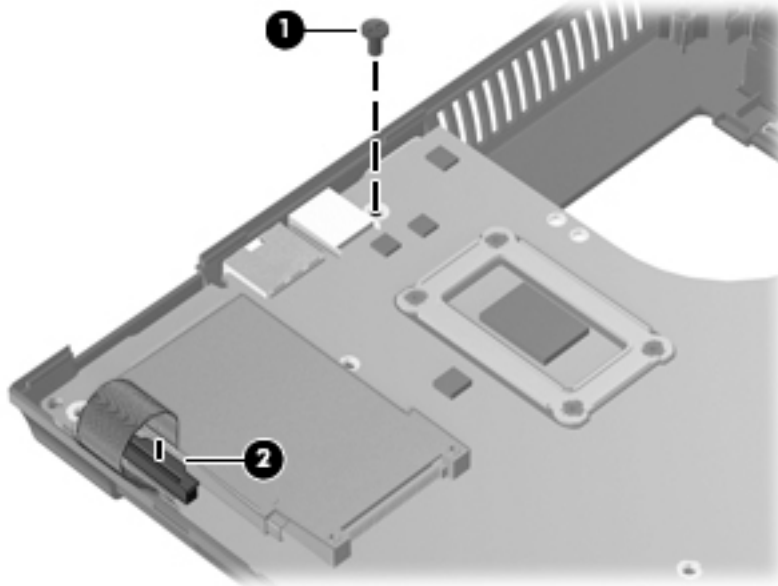
8. Release the RJ-11 cable from the cable routing area, lift the connector from the base enclosure **(1)**, and disconnect the cable **(2)** from the system board.
9. Disconnect the main battery cable **(3)** from the bottom of the system board.
10. Lift the system board at an angle **(4)** and slide it **(5)** out of the base enclosure.



Remove the system board on **35.6-cm** (14.0-in) or **33.8-cm** (13.3-in) computers:

1. Position the computer with the front toward you.

2. Remove the Phillips PM2.0×3.0 screw **(1)** that secures the board to the base enclosure, disconnect the audio ZIF connector and remove the flat-ribbon cable **(2)** from the system board.

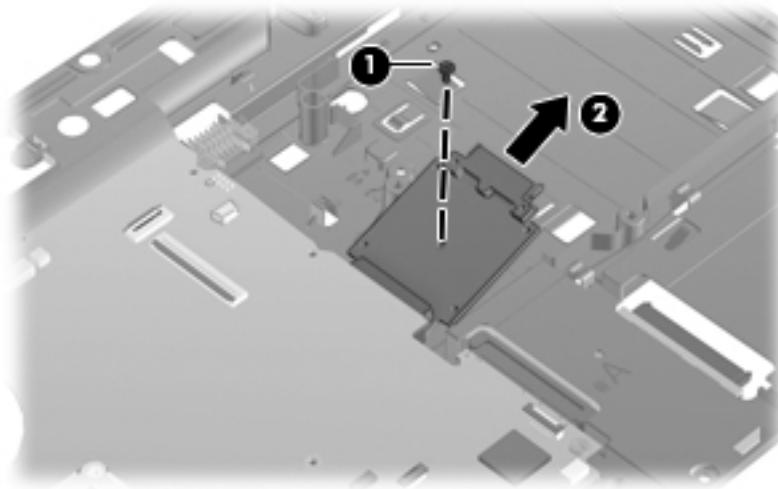


3. Remove the optical drive extender on the **35.6-cm** (14.0-in) computer by first removing the Phillips PM2.0×3.0 screw **(1)** that secures the extender to the base enclosure.



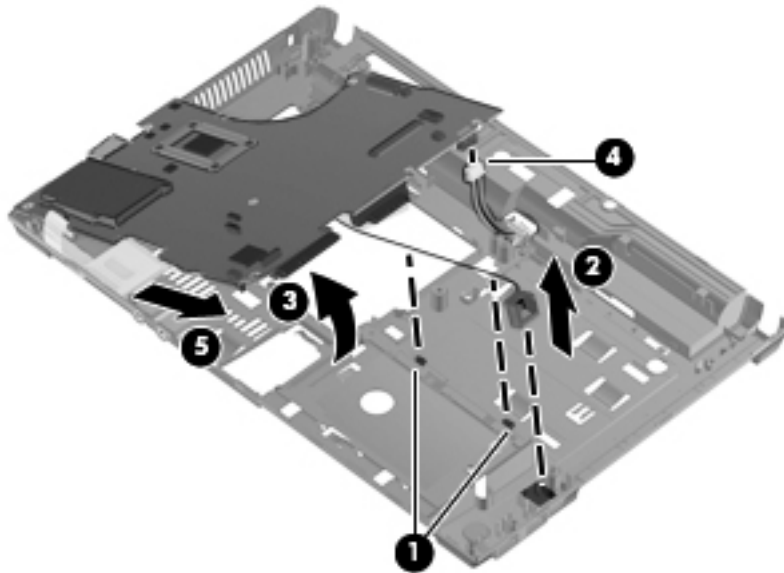
NOTE: **33.8-cm** (13.3-in) computers do not use an optical drive extender.

4. Lift the system board slightly and then pull the extender straight out **(2)** from the system board.



5. Release the RJ-11 cable from the cable routing area, lift the connector from the base enclosure **(1)**, and disconnect the connector **(2)** from the system board.
6. Lift the system board at an angle **(3)** and disconnect the main battery cable **(4)** from the bottom of the board.

7. Slide the system board **(5)** out of the base enclosure.



Reverse this procedure to install the system board.

Main battery connector

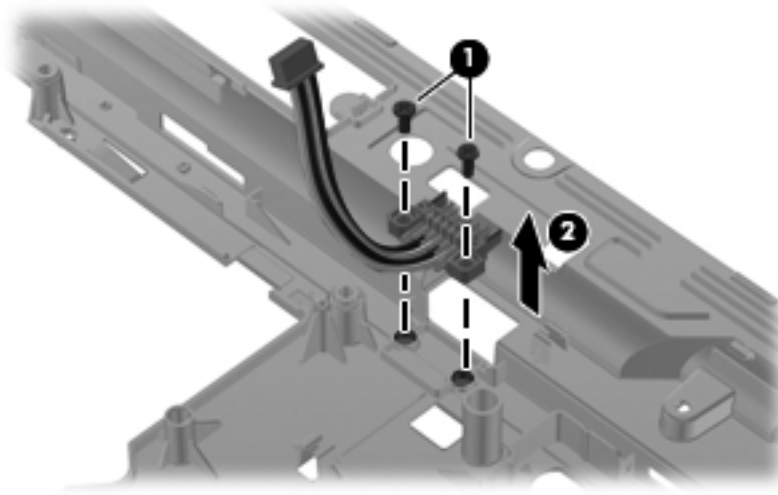
The main battery cable is included in Cable Kit 605795-001.

Before removing the main battery cable, follow these steps:

1. Shut down the computer. If you are unsure whether the computer is off or in Hibernation, turn the computer on, and then shut it down through the operating system.
2. Disconnect all external devices connected to the computer.
3. Disconnect the power from the computer by first unplugging the power cord from the AC outlet and then unplugging the AC adapter from the computer.
4. Remove the battery (see [Battery on page 56](#)).
5. Remove the service door (see [Service door on page 56](#)).
6. Remove the hard drive (see [Hard drive on page 59](#)).
7. Remove the optical drive (see [Optical drive on page 68](#)).
8. Remove the fan (see [Fan on page 69](#)).
9. Remove the palm rest (see [Palm rest on page 73](#)).
10. Remove the keyboard (see [Keyboard on page 78](#)).
11. Remove the top cover (see [Top cover on page 82](#)).
12. Remove the system board (see [System board on page 102](#)).

Remove the main battery cable:

1. Remove the two Phillips PM2.5×4.0 screws **(1)** that secure the connector to the base enclosure.
2. Lift the connector up **(2)** and out of the base enclosure.



Reverse the procedure to install the main battery connector.

RTC battery

The spare part number for the RTC battery is 449137-001.

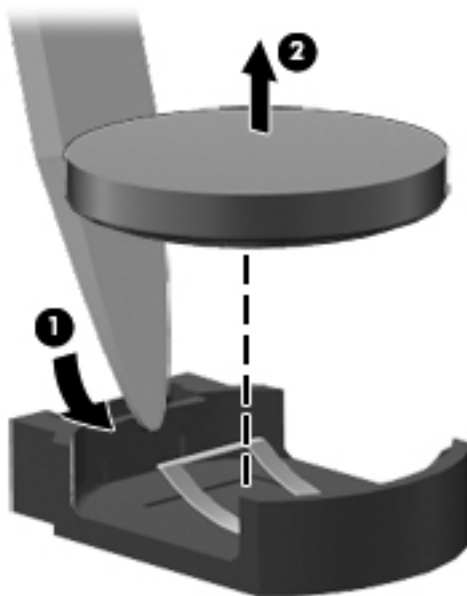
Before removing the RTC battery, follow these steps:

1. Shut down the computer. If you are unsure whether the computer is off or in Hibernation, turn the computer on, and then shut it down through the operating system.
2. Disconnect all external devices connected to the computer.
3. Disconnect the power from the computer by first unplugging the power cord from the AC outlet and then unplugging the AC adapter from the computer.
4. Remove the battery (see [Battery on page 56](#)).
5. Remove the service door (see [Service door on page 56](#)).
6. Remove the hard drive (see [Hard drive on page 59](#)).
7. Remove the optical drive (see [Optical drive on page 68](#)).
8. Remove the fan (see [Fan on page 69](#)).
9. Remove the palm rest (see [Palm rest on page 73](#)).
10. Remove the keyboard (see [Keyboard on page 78](#)).
11. Remove the top cover (see [Top cover on page 82](#)).
12. Remove the system board (see [System board on page 102](#)).

Remove the RTC battery:

1. Position the computer right-side up with the front toward you.

2. Release the RTC battery from the socket **(1)** on the system board and lift the battery **(2)** up.



Reverse this procedure to install the RTC battery.

Modem module

Description	Spare part number
For use in all countries and regions except Australia and New Zealand	510100-001
For use only in Australia and New Zealand	510100-011

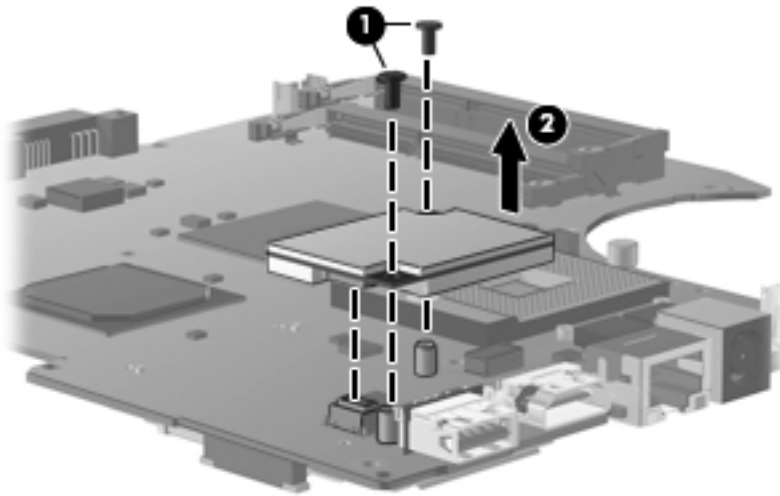
Before removing the modem module, follow these steps:

1. Shut down the computer. If you are unsure whether the computer is off or in Hibernation, turn the computer on, and then shut it down through the operating system.
2. Disconnect all external devices connected to the computer.
3. Disconnect the power from the computer by first unplugging the power cord from the AC outlet and then unplugging the AC adapter from the computer.
4. Remove the battery (see [Battery on page 56](#)).
5. Remove the service door (see [Service door on page 56](#)).
6. Remove the hard drive (see [Hard drive on page 59](#)).
7. Remove the optical drive (see [Optical drive on page 68](#)).
8. Remove the fan (see [Fan on page 69](#)).
9. Remove the palm rest (see [Palm rest on page 73](#)).

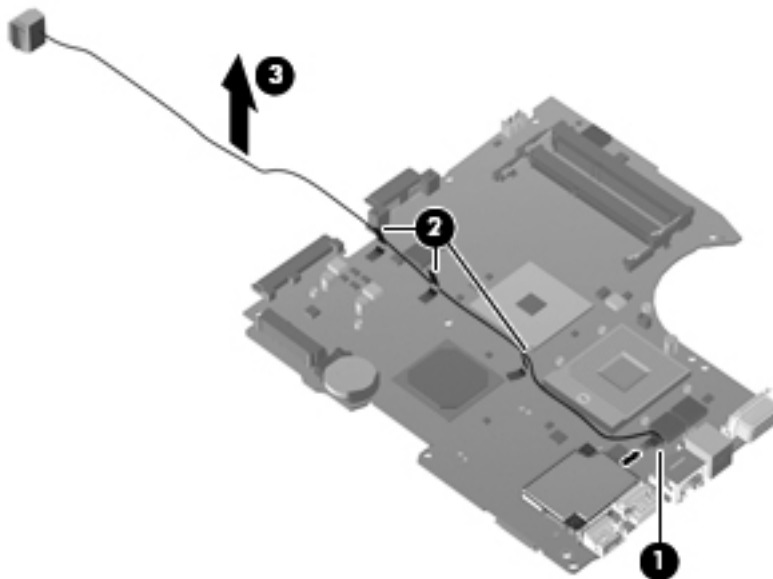
10. Remove the keyboard (see [Keyboard on page 78](#)).
11. Remove the top cover (see [Top cover on page 82](#)).
12. Remove the system board (see [System board on page 102](#)).

Remove the modem module:

1. Position the computer right-side up with the front toward you.
2. Remove the two Phillips PM2.5×3.0 screws (1) that secure the modem module to the system board.
3. Lift the modem module (2) straight up from the system board.




4. With the modem raised, disconnect the RJ-11 cable (1) from beneath the modem.
5. Remove the tape (2) that secures the cable to the system board and then, remove the cable (3).



Reverse this procedure to install the modem module.

Audio board

 **NOTE:** The spare part number for the audio board is 598684-001.

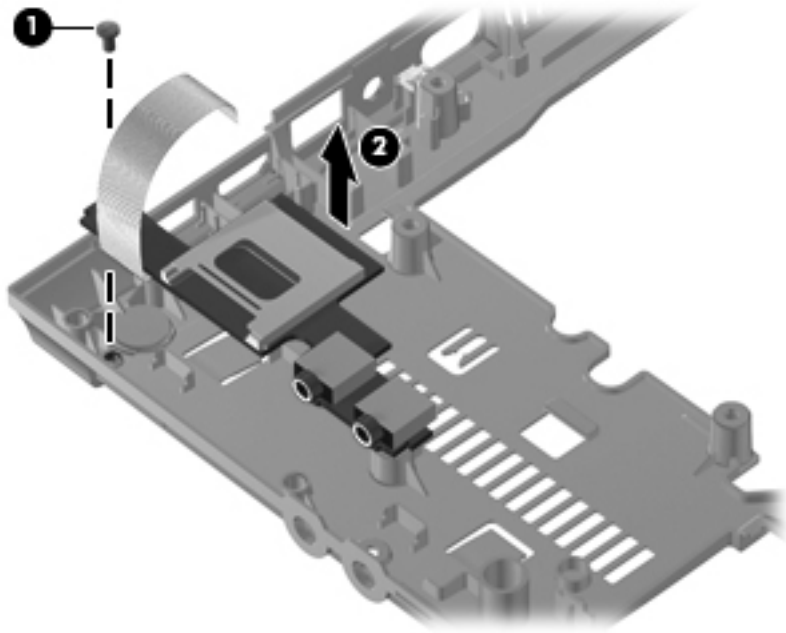
Before removing the audio board, follow these steps:

1. Shut down the computer. If you are unsure whether the computer is off or in Hibernation, turn the computer on, and then shut it down through the operating system.
2. Disconnect all external devices connected to the computer.
3. Disconnect the power from the computer by first unplugging the power cord from the AC outlet and then unplugging the AC adapter from the computer.
4. Remove the battery (see [Battery on page 56](#)).
5. Remove the service door (see [Service door on page 56](#)).
6. Remove the hard drive (see [Hard drive on page 59](#)).
7. Remove the optical drive (see [Optical drive on page 68](#)).
8. Remove the fan (see [Fan on page 69](#)).
9. Remove the palm rest (see [Palm rest on page 73](#)).
10. Remove the keyboard (see [Keyboard on page 78](#)).
11. Remove the top cover (see [Top cover on page 82](#)).
12. Remove the system board (see [System board on page 102](#)).

Remove the audio board from **39.6-cm** (15.6-in) computers:

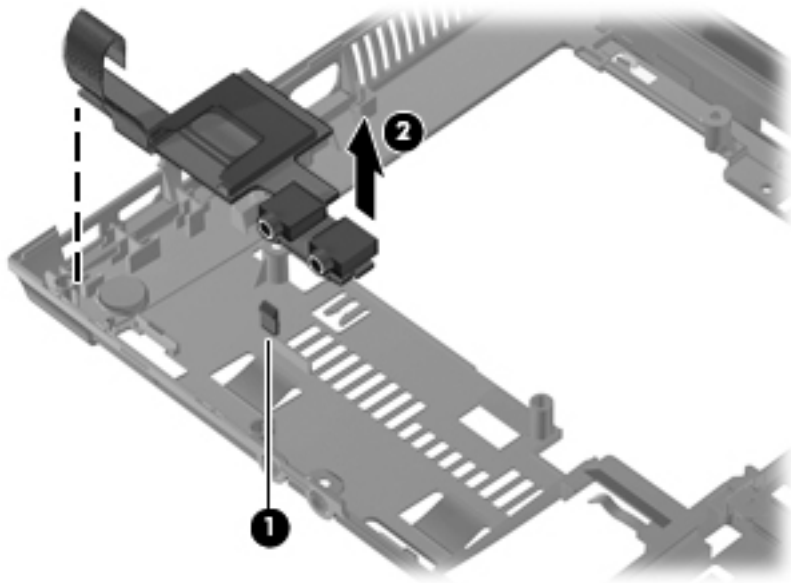
1. Position the computer right-side up with the front toward you.

2. Remove the Phillips PM2.0×3.0 screw **(1)** that secures the audio board to the base enclosure and then remove the audio board **(2)**.



Remove the audio board from **35.6-cm** (14.0-in) and **33.8-cm** (13.3-in) computers:

1. Release the latch **(1)** that secures the board to the base enclosure.
2. Lift the audio board **(2)** from the base enclosure.




Reverse this procedure to install the audio board.


5 Computer Setup

Computer Setup in Windows

Starting Computer Setup

Computer Setup is a preinstalled, ROM-based utility that can be used even when the operating system is not working or will not load.

 **NOTE:** Some of the Computer Setup menu items listed in this guide may not be supported by your computer.

 **NOTE:** An external keyboard or mouse connected to a USB port can be used with Computer Setup only if USB legacy support is enabled.

To start Computer Setup, follow these steps:

1. Turn on or restart the computer, and then press `esc` while the “Press the ESC key for Startup Menu” message is displayed at the bottom of the screen.
2. Press `f10` to enter BIOS Setup.


Using Computer Setup

Navigating and selecting in Computer Setup

The information and settings in Computer Setup are accessed from the File, Security, and System Configuration menus.

To navigate and select in Computer Setup, follow these steps:

1. Turn on or restart the computer, and then press `esc` while the “Press the ESC key for Startup Menu” message is displayed at the bottom of the screen.
 - To select a menu or a menu item, use the tab key and the keyboard arrow keys and then press `enter`, or use a pointing device to click the item.
 - To scroll up and down, click the up arrow or the down arrow in the upper-right corner of the screen, or use the up arrow key or the down arrow key.
 - To close open dialog boxes and return to the main Computer Setup screen, press `esc`, and then follow the on-screen instructions.

 **NOTE:** You can use either a pointing device (TouchPad, pointing stick, or USB mouse) or the keyboard to navigate and make selections in Computer Setup.

2. Press **f10** to enter BIOS Setup.
3. Select the **File, Security, or System Configuration** menu.

To exit Computer Setup menus, choose one of the following methods:

- To exit Computer Setup menus without saving your changes, click the **Exit** icon in the lower-left corner of the screen, and then follow the on-screen instructions.

– or –


Use the tab key and the arrow keys to select **File > Ignore Changes and Exit**, and then press **enter**.
- To save your changes and exit Computer Setup menus, click the **Save** icon in the lower-left corner of the screen, and then follow the on-screen instructions.

– or –

Use the tab key and the arrow keys to select **File > Save Changes and Exit**, and then press **enter**.

Your changes go into effect when the computer restarts.

Restoring factory settings in Computer Setup

 **NOTE:** Restoring defaults will not change the hard drive mode.


To return all settings in Computer Setup to the values that were set at the factory, follow these steps:

1. Turn on or restart the computer, and then press **esc** while the “Press the ESC key for Startup Menu” message is displayed at the bottom of the screen.
2. Press **f10** to enter BIOS Setup.
3. Use a pointing device or the arrow keys to select **File > Restore Defaults**.
4. Follow the on-screen instructions.
5. To save your changes and exit, click the **Save** icon in the lower-left corner of the screen, and then follow the on-screen instructions.

– or –

Use the arrow keys to select **File > Save Changes and Exit**, and then press **enter**.

Your changes go into effect when the computer restarts.

 **NOTE:** Your password settings and security settings are not changed when you restore the factory settings.

Computer Setup menus

The menu tables in this section provide an overview of Computer Setup options.



NOTE: Some of the Computer Setup menu items listed in this guide may not be supported by your computer.

File menu

Select	To do this
System Information	<ul style="list-style-type: none">• View identification information for the computer and the batteries in the system.• View specification information for the processor, cache and memory size, system ROM, video revision, and keyboard controller version.
Set System Date and Time	Set or change the date and time on the computer.
System Diagnostics	Displays the following information: <ul style="list-style-type: none">• System information<ul style="list-style-type: none">◦ Identification information for the computer and the batteries in the system.◦ Specification information for the processor, cache and memory size, system ROM, video revision, and keyboard controller version.• Start-up Test—Verifies the system components needed for starting the computer.• Run-in Test—Runs a comprehensive check on system memory.• Hard Disk Test—Runs a comprehensive self-test on any hard drive in the system.• Memory Test—Runs a comprehensive test on any memory installed in the computer.• Battery Test—Runs a comprehensive test on any batteries installed in the computer.• Error Log—Displays a log file if any errors have occurred.
Restore defaults	Replace the configuration settings in Computer Setup with the original factory settings. (Hard drive mode, password settings, and security settings are not changed when you restore the factory settings.)
Reset BIOS security to factory default	Restore the BIOS security settings to the factory default.

Select	To do this
Ignore Changes and Exit	Cancel any changes entered during the current session. Then exit and restart the computer.
Save Changes and Exit	Save any changes entered during the current session. Then exit and restart the computer. Your changes go into effect when the computer restarts.

Security menu



NOTE: Some of the menu items listed in this section may not be supported by your computer.

Select	To do this
Setup BIOS Administrator Password	Set up a BIOS administrator password.
User Management > Create a New BIOS User Account (requires a BIOS administrator password)	<ul style="list-style-type: none">Select from a list of BIOS users.Select from a list of ProtectTools users.
Password Policy (requires a BIOS administrator password)	Revise password policy criteria.
HP SpareKey	Enable/disable HP SpareKey (enabled by default).
Always Prompt for HP SpareKey Enrollment	Enable/disable HP SpareKey enrollment (enabled by default).
Fingerprint Reset on Reboot (If Present)	Reset/clear the fingerprint reader ownership (select models only; disabled by default).
Change Password	Enter, change, or delete a BIOS administrator password.
HP SpareKey Enrollment	Enroll or reset HP SpareKey, which is a set of security questions and answers used if you forget your password.
Anti Theft > AT-p (select models only)	Enable/disable Anti-theft Protection.
DriveLock Passwords	<ul style="list-style-type: none">Enable/disable DriveLock on any computer hard drive (enabled by default).Change a DriveLock user password or master password. <p>NOTE: DriveLock settings are accessible only when you enter Computer Setup by turning on (not restarting) the computer.</p>
Automatic DriveLock	Enable/disable Automatic DriveLock support (disabled by default).
Disk Sanitizer	Run Disk Sanitizer to destroy all existing data on the primary hard drive or the drive in the upgrade bay. <p>CAUTION: If you run Disk Sanitizer, the data on the selected drive is destroyed permanently.</p>
System IDs	Enter a user-defined computer asset tracking number and ownership tag.

System Configuration menu



NOTE: Some of the listed System Configuration options may not be supported by your computer.

Select	To do this
Language	Change the Computer Setup language.
Boot Options	<ul style="list-style-type: none">• Set a Startup Menu delay (in seconds).• Set the MultiBoot Express Boot Popup delay in seconds.• Enable/disable custom logo (disabled by default).• Enable/disable display diagnostic URL (enabled by default).• Enable/disable CD-ROM boot (enabled by default).• Enable/disable SD Card boot (enabled by default).• Enable/disable floppy boot (enabled by default).• Enable/disable PXE Internal NIC boot (enabled by default).• Enable/Disable Unified Extensible Firmware Interface (UEFI) Boot Mode (disabled by default).• Set the legacy boot order.

Select	To do this
Device Configurations	<ul style="list-style-type: none">• Enable/disable USB legacy support (enabled by default). When enabled, USB legacy support allows the following:<ul style="list-style-type: none">◦ Use of a USB keyboard in Computer Setup even when a Windows operating system is not running.◦ Startup from bootable USB devices, including a hard drive, diskette drive, or optical drive connected by a USB port to the computer.• Select a parallel port mode: ECP (Enhanced Capabilities Port), standard, bidirectional, or EPP (Enhanced Parallel Port).• Enable/disable fan always on while connected to an AC outlet (enabled by default).• Enable/disable Data Execution Prevention (select models only). When enabled, the processor can disable some virus code execution, which helps to improve computer security (enabled by default).• Select a SATA (Serial Advanced Technology Attachment) device mode. The following options are available:<ul style="list-style-type: none">◦ AHCI (Advanced Host Controller Interface)◦ IDE (Integrated Drive Electronics)◦ RAID (Redundant Array of Independent Disks) (select models only)

Select	To do this
	<p data-bbox="893 220 1404 283">NOTE: Availability of these options above varies by computer model.</p> <ul data-bbox="845 304 1436 1039" style="list-style-type: none"><li data-bbox="845 304 1436 367">• Enable/disable secondary battery fast charge (enabled by default).<li data-bbox="845 388 1436 420">• Enable/disable HP QuickLook 2 (enabled by default).<li data-bbox="845 441 1436 504">• Enable/disable preboot authentication on HP QuickLock boot (enabled by default).<li data-bbox="845 525 1436 556">• Enable/disable HP QuickWeb (enabled by default).<li data-bbox="845 577 1436 640">• Enable/disable HP QuickWeb write protect (disabled by default).<li data-bbox="845 661 1436 724">• Enable/disable virtualization technology (select models only; disabled by default).<li data-bbox="845 745 1436 808">• Enable/disable Intel TXT (Trust Execution Technology) (select models only; disabled by default).<li data-bbox="845 829 1436 861">• Enable/disable Multi Core CPU (enabled by default).<li data-bbox="845 882 1436 913">• Enable/disable Intel HT technology (enabled by default).<li data-bbox="845 934 1436 966">• Enable/disable wake on USB (enabled by default).<li data-bbox="845 987 1436 1050">• Enable/disable Num lock state at boot (disabled by default).


Select	To do this
Built-In Device Options	<ul style="list-style-type: none"> • Enable/disable the wireless button state (enabled by default). • Enable/disable embedded WWAN device (select models only; enabled by default). • Enable/disable embedded WLAN device (enabled by default). • Enable/disable embedded Bluetooth® device radio (enabled by default). • Enable/disable the network interface controller (LAN) (enabled by default). • Enable/disable LAN/WLAN device (disabled by default). • Set the wake on LAN state. Options include the following: <ul style="list-style-type: none"> ◦ Disabled ◦ Boot to Network (set by default) ◦ Follow Boot Order • Enable/disable the ambient light sensor (enabled by default). • Enable/disable the notebook upgrade bay device (enabled by default). • Enable/disable the fingerprint device (enabled by default). • Enable/disable the integrated camera (enabled by default). • Enable/disable the power monitor circuit (enabled by default). • Enable/disable the audio device (enabled by default). • Enable/disable a modem device (enabled by default). • Enable/disable the microphone (enabled by default). • Enable/disable the internal speakers (enabled by default).

Select	To do this
Port Options	<p>NOTE: All port options are enabled by default.</p> <ul style="list-style-type: none"> • Enable/disable the serial port (select models only). • Enable/disable the parallel port (select models only). • Enable/disable the flash media reader. • Enable/disable the USB port. <p>CAUTION: Disabling the USB port also disables MultiBay devices and ExpressCard devices on the advanced port replicator.</p> <ul style="list-style-type: none"> • Enable/disable the 1394 port (select models only). • Enable/disable the ExpressCard slot (select models only). • Enable/disable the eSATA port (select models only).
AMT Options (select models only)	<p>NOTE: All AMT options are disabled by default.</p> <ul style="list-style-type: none"> • Enable/disable firmware verbosity. • Enable/disable AMT setup prompt (Ctrl-P) • Enable/disable USB key provisioning support. • Enable/disable unconfigure AMT on next boot. • Select terminal emulation mode. Options include the following: <ul style="list-style-type: none"> ◦ ANSI (default setting) ◦ VT100 • Enable/disable firmware progress event support. • Enable/disable initiate Intel CIRA.
Set Security Level	Change, view, or hide security levels for all BIOS menu items.
Restore Security Defaults	Restore the default security settings.

Computer Setup in Linux

Starting Computer Setup

Computer Setup is a preinstalled, ROM-based utility that can be used even when the operating system is not working or will not load.

 **NOTE:** Some of the Computer Setup menu items listed in this guide may not be supported by your computer or your operating system.

 **NOTE:** Pointing devices are not supported in Computer Setup. You must use the keyboard to navigate and make selections.

 **NOTE:** An external keyboard connected by USB can be used with Computer Setup only if USB legacy support is enabled.

To start Computer Setup, follow these steps:

1. Turn on or restart the computer.
2. Before your operating system opens and while the “F10=ROM Based Setup” message is displayed in the lower-left corner of the screen, press **f10**.

Using Computer Setup

Navigating and selecting in Computer Setup

The information and settings in Computer Setup are accessed from the File, Security, and System Configuration menus.

1. Open Computer Setup by turning on or restarting the computer, and then pressing **f10** while the "F10 = ROM Based Setup" message is displayed in the lower-left corner of the screen.

Because Computer Setup is not operating system based, it does not support the TouchPad. Navigation and selection are by keystroke:

- To choose a menu or a menu item, use the arrow keys.
 - To select an item, press **enter**.
 - To close open dialog boxes and return to the main Computer Setup screen, press **esc**.
 - To view navigation information, press **f1**.
 - To change the language, press **f2**.
2. Select the **File, Security, System Configuration** menu.
 3. To exit Computer Setup, choose one of the following methods:
 - To exit Computer Setup without saving your preferences, use the arrow keys to select **File > Ignore Changes And Exit**. Then follow the instructions on the screen.
 - To save your preferences and exit Computer Setup, use the arrow keys to select **File > Save Changes And Exit**. Then follow the instructions on the screen.

Your preferences go into effect when the computer restarts.

Restoring factory settings in Computer Setup

To return all settings in Computer Setup to the values that were set at the factory, follow these steps:

1. Open Computer Setup by turning on or restarting the computer, and then pressing **f10** while the "F10 = ROM Based Setup" message is displayed in the lower-left corner of the screen.
2. Use the arrow keys to select **File > Restore Defaults**, and then press **enter**.
3. When the confirmation dialog box opens, press **f10**.
4. To save your preferences and exit Computer Setup, use the arrow keys to select **File > Save Changes And Exit**. Then follow the instructions on the screen.


Your preferences go into effect when the computer restarts.




NOTE: Your password settings and security settings are not changed when you restore the factory settings.

Computer Setup menus

The menu tables in this section provide an overview of Computer Setup options.

 **NOTE:** Some of the Computer Setup menu items listed in this section may not be supported by your computer or your operating system.

File menu

 **NOTE:** Some of the menu items listed in this section may not be supported by your computer or your operating system.

Select	To do this
System information	<ul style="list-style-type: none">• View identification information for the computer.• View specification information for the processor, cache and memory size, and system ROM.
Restore Defaults	Replace the configuration settings in Computer Setup with the original factory settings. (Password settings and security settings are not changed when you restore the factory settings.)
Ignore Changes And Exit	Cancel any changes entered during the current session. Then exit and restart the computer.
Save Changes And Exit	Save any changes entered during the current session. Then exit and restart the computer. Your changes go into effect when the computer restarts.

Security menu



NOTE: Some of the menu items listed in this section may not be supported by your computer or your operating system.

Select	To do this
Setup Password	Enter, change, or delete a setup password.
Password Options	<ul style="list-style-type: none">• Enable/disable stringent security.• Enable/disable the password requirement on computer restart.
DriveLock Passwords	<ul style="list-style-type: none">• Enable/disable DriveLock on any computer hard drive.• Enter, change, or disable DriveLock on an optional MultiBay hard drive. <p>NOTE: DriveLock settings are accessible only when you enter Computer Setup by turning on (not restarting) the computer.</p>
System IDs	Enter a user-defined computer asset tracking number and ownership tag.
Disk Sanitizer	Run Disk Sanitizer to destroy all existing data on the primary hard drive. The following options are available: <ul style="list-style-type: none">• Fast: Runs the Disk Sanitizer erase cycle once.• Optimum: Runs the Disk Sanitizer erase cycle 3 times.• Custom: Allows you to select the desired number of Disk Sanitizer erase cycles from a list. <p>CAUTION: If you run Disk Sanitizer, the data on the primary hard drive is destroyed permanently.</p>

Diagnostics menu



NOTE: Some of the menu items listed in this section may not be supported by your computer or your operating system.

Select	To do this
HDD Self-Test Options	Run a comprehensive self-test on any hard drive in the system or on any optional MultiBay hard drive.
Memory Check	Run a comprehensive check on system memory.

System Configuration menu



NOTE: Some of the menu items listed in this section may not be supported by your computer or your operating system.

Select	To do this
Language	Change the Computer Setup language.
Boot options	<ul style="list-style-type: none">• Set an f9, f10, and f12 delay when starting up.• Enable/disable CD-ROM boot.• Enable/disable floppy boot.• Enable/disable internal network adapter boot.• Enable/disable MultiBoot, which sets a boot order that can include most boot devices in the system.• Set the Express Boot Popup delay in seconds.• Set the boot order.<ul style="list-style-type: none">◦ 1st boot device: USB CD-ROM◦ 2nd boot device: USB floppy◦ 3rd boot device: USB SuperDisk◦ 4th boot device: Notebook hard drive◦ 5th boot device: USB hard disk◦ 6th boot device: Network controller
Device Configurations	<ul style="list-style-type: none">• Swap the functions of the fn key and left ctrl key.• Enable/disable USB legacy support. When enabled, USB legacy support allows the following:<ul style="list-style-type: none">◦ Use of a USB keyboard in Computer Setup even when a your operating system is not running.◦ Startup from bootable USB devices, including a hard drive, diskette drive, or optical drive connected by a USB port to the computer.• Enable/disable BIOS DMA data transfers.• Enable/disable fan always on while connected to an AC outlet.• Enable/disable data execution prevention.• Enable/disable LAN power saving mode.• Enable/disable SATA Native Mode.• Enable/disable Dual Core CPU.• Enable/disable HDD translation mode.

Select	To do this
Built-in device options	<ul style="list-style-type: none">• Enable/disable embedded WLAN Device Radio.• Enable/disable embedded Bluetooth Device Radio.• Enable/disable Network Interface Controller (NIC)• Enable/disable LAN/WLAN Switching.• Enable/disable Wake on LAN.• Enable/disable the integrated camera (webcam)
Port options	<ul style="list-style-type: none">• Enable/disable USB port.• Enable/disable ExpressCard slot.

6 Specifications

Computer specifications

	Metric	U.S.
Dimensions – 39.6-cm (15.6-in)		
Depth	24.96 cm	9.83 in
Width	37.18 cm	14.6 in
Height (front to rear)	2.75 to 3.55 cm	1.09 to 1.40 in
Dimensions – 35.6-cm (14.0-in)		
Depth	22.8 cm	8.98 in
Width	32.3 cm	12.67 in
Height (front to rear)	2.68 to 3.48 cm	1.06 to 1.38 in
Dimensions – 33.8-cm (13.3-in)		
Depth	22.8 cm	8.98 in
Width	32.3 cm	12.67 in
Height (front to rear)	2.68 to 3.48 cm	1.06 to 1.38 in
Weight – 39.6-cm (15.6-in) (equipped with optical drive, WXGA display assembly, 1 memory module, hard drive, and 9-cell battery)	< 2.59 kg	< 5.70 lbs
Weight – 35.6-cm (14.0-in) (equipped with optical drive, WXGA display assembly, 1 memory module, hard drive, and 6-cell battery)	< 2.26 kg	< 5.00 lbs
Weight – 33.8-cm (13.3-in) (equipped with optical drive, WXGA display assembly, 1 memory module, hard drive, and 6-cell battery)	2.04 kg	4.5 lbs
Input power		
Operating voltage	18.5 V dc @ 4.74 A – 90 W	
Operating current	4.74 A	
Temperature		

	Metric	U.S.
Operating (not writing to optical disc)	0°C to 35°C	32°F to 95°F
Operating (writing to optical disc)	5°C to 35°C	41°F to 95°F
Nonoperating	-20°C to 60°C	-4°F to 140°F
Relative humidity		
Operating	10% to 90%	
Nonoperating	5% to 95%	
Maximum altitude (unpressurized)		
Operating	-15 m to 3,048 m	-50 ft to 10,000 ft
Nonoperating	-15 m to 12,192 m	-50 ft to 40,000 ft
Shock		
Operating	125 g, 2 ms, half-sine	
Nonoperating	200 g, 2 ms, half-sine	
Random vibration		
Operating	0.75 g zero-to-peak, 10 Hz to 500 Hz, 0.25 oct/min sweep rate	
Nonoperating	1.50 g zero-to-peak, 10 Hz to 500 Hz, 0.5 oct/min sweep rate	
NOTE: Applicable product safety standards specify thermal limits for plastic surfaces. The computer operates well within this range of temperatures.		

39.6-cm (15.6-in) display specifications

	Metric	U.S.
Dimensions		
Height	19.35 cm	7.6 in
Width	34.42 cm	13.5 in
Diagonal	39.49 cm	15.6 in
Number of colors	262,000	
Contrast ratio	500:1 (typical BrightView), 400:1 (typical AntiGlare)	
Brightness	200 nits (typical)	
Pixel resolution		
Format	1366 × 768	
Configuration	RGB	

	Metric	U.S.
Backlight	LED	
Response Time	16 ms	
Total power consumption	5.6 W (max)	
Viewing angle @CR>10	5 VA	

35.6-cm (14.0-in) display specifications

	Metric	U.S.
Dimensions		
Height	17.40 cm	6.9 in
Width	30.94 cm	12.2 in
Diagonal	35.50 cm	14.0 in
Number of colors	262,000	
Contrast ratio	500:1 (min BrightView), 400:1 (min AntiGlare)	
Brightness	200 nits (typical)	
Pixel resolution		
Format	1366 × 768	
Configuration	RGB	
Backlight	LED	
Response Time	8 ms (typ)	
Total power consumption	3.8 W (max)	
Viewing angle @ CR>10	SVA	

33.8-cm (13.3-in) display specifications

	Metric	U.S.
Dimensions		
Height	16.50 cm	6.5 in
Width	29.34 cm	11.5 in
Diagonal	33.66 cm	13.3 in
Number of colors	262,000	
Contrast ratio	500:1 (min BrightView), 400:1 (min AntiGlare)	
Brightness	200 nits (typical)	
Pixel resolution		
Format	1366 × 768	
Configuration	RGB	
Backlight	LED	
Response Time	8 ms (typ)	
Total power consumption	4.5 W (max)	
Viewing angle @ CR>10	SVA	

Hard drive specifications

	500-GB*	320-GB*	250-GB*	160-GB*
Dimensions				
Height	9.5 mm	9.5 mm	9.5 mm	9.5 mm
Width	70 mm	70 mm	70 mm	70 mm
Weight	101 g	101 g	101 g	101 g
Interface type				
	SATA	SATA	SATA	SATA
Transfer rate				
	100 MB/sec	100 MB/sec	100 MB/sec	100 MB/sec
Security				
	ATA security	ATA security	ATA security	ATA security
Seek times (typical read, including setting)				
Single track	3 ms	3 ms	3 ms	3 ms
Average	13 ms	13 ms	13 ms	13 ms
Maximum	24 ms	24 ms	24 ms	24 ms
Logical blocks				
	1,048,576,000	625,141,400	488,376,280	312,560,640
Disc rotational speed				
	7200 and 5400 rpm	7200 and 5400 rpm	7200 and 5400 rpm	7200 and 5400 rpm
Operating temperature				
	5°C to 55°C (41°F to 131°F)	5°C to 55°C (41°F to 131°F)	5°C to 55°C (41°F to 131°F)	5°C to 55°C (41°F to 131°F)
*1 GB = 1 billion bytes when referring to hard drive storage capacity. Actual accessible capacity is less. Actual drive specifications may differ slightly.				
NOTE: Certain restrictions and exclusions apply. Contact technical support for details.				

DVD-ROM Drive specifications

Applicable disc	DVD-ROM (DVD-5, DVD-9, DVD-10, DVD-18, CD-ROM (Mode 1 and 2), CD Digital Audio, CD-XA ready (Mode 2, Form 1 and Form 2), CD-I (Mode 2, Form 1 and Form 2), CD-R, CD-RW, Photo CD (single and multisession), CD-Bridge	
Access time	CD	DVD
Random	< 100 ms	< 125 ms
Cache buffer	512 KB	
Data transfer rate		
CD-R (24X)	3600 KB/s (150 KB/s at 1X CD rate)	
CD-RW (10X)	1500 KB/s (150 KB/s at 1X CD rate)	
CD-ROM (24X)	3600 KB/s (150 KB/s at 1X CD rate)	
DVD (8X)	10,800 KB/s (1,352 KB/s at 1X DVD rate)	
Multiword DMA mode 2	16.6 MB/s	

DVD±RW Double-Layer Combo Drive specifications

Applicable disc	Read:	Write:
	CD-DA, CD+(E)G, CD-MIDI, CD-TEXT, CD-ROM, CD-ROM XA, MIXED MODE CD, CD-I, CD-I Bridge (Photo-CD, Video CD), Multisession CD (Photo-CD, CD-EXTRA, Portfolio, CD-R, CD-RW), CD-R, CD-RW, DVD-ROM (DVD-5, DVD-9, DVD-10, DVD-18), DVD-R, DVD-RW, DVD+R, DVD+RW, DVD-RAM	CD-R and CD-RW DVD+R, DVD+RW, DVD-R, DVD-RW, DVD-RAM
Access time	CD	DVD
Random	< 175 ms	< 230 ms
Cache buffer	2 MB	
Data transfer rate		
24X CD-ROM	3,600 KB/sec	
8X DVD-ROM	10,800 KB/sec	
24X CD-R	3,600 KB/sec	
16X CD-RW	2,400 KB/sec	
8X DVD+R	10,800 KB/sec	
4X DVD+RW	5,400 KB/sec	
8X DVD-R	10,800 KB/sec	
4X DVD-RW	5,400 KB/sec	
2.4X DVD+R(9)	2,700 KB/sec	
5X DVD-RAM	6,750 KB/sec	
Transfer mode	Multiword DMA Mode	

7 Backup and recovery


Backup and recovery in Windows 7


Overview

To protect your information, use Windows Backup and Restore to back up individual files and folders, back up your entire hard drive (select models only), create system repair discs (select models only), or create system restore points. In case of system failure, you can use the backup files to restore the contents of your computer.

Backup and Restore provides the following options:

- Creating a system repair disc (select models only)
- Backing up individual files and folders
- Creating a system image (select models only)
- Scheduling automatic backups (select models only)
- Creating system restore points
- Recovering individual files
- Restoring the computer to a previous state
- Recovering information using recovery tools

 **NOTE:** For detailed instructions, perform a search for these topics in Help and Support.

 **NOTE:** In case of system instability, HP recommends that you print the recovery procedures and save them for later use.

Backing up your information

Recovery after a system failure is as complete as your most current backup. You should create system repair discs (select models only) and your initial backup immediately after software setup. As you add new software and data files, you should continue to back up your system on a regular basis to maintain a reasonably current backup. The system repair discs (select models only) are used to start up (boot) the computer and repair the operating system in case of system instability or failure. Your initial and subsequent backups allow you to restore your data and settings if a failure occurs.

You can back up your information to an optional external hard drive, a network drive, or discs.

Note the following when backing up:

- Store personal files in the Documents folder, and back it up regularly.
- Back up templates that are stored in their associated programs.
- Save customized settings that appear in a window, toolbar, or menu bar by taking a screen shot of your settings. The screen shot can be a time-saver if you have to reset your preferences.

To create a screen shot:

1. Display the screen you want to save.

2. Copy the screen image:

To copy only the active window, press **alt+fn+prt sc**.


To copy the entire screen, press **fn+prt sc**.

3. Open a word-processing document, and then select **Edit > Paste**.

The screen image is added to the document.


4. Save the document.


- When backing up to discs, use any of the following types of discs (purchased separately): CD-R, CD-RW, DVD+R, DVD+R DL, DVD-R, DVD-R DL, or DVD±RW. The discs you use will depend on the type of optical drive installed in your computer.

 **NOTE:** DVDs and DVDs with double-layer (DL) support store more information than CDs, so using them for backup reduces the number of recovery discs required.

- When backing up to discs, number each disc before inserting it into the optical drive of the computer.


To create a backup using Backup and Restore , follow these steps:

 **NOTE:** Be sure that the computer is connected to AC power before you start the backup process.

 **NOTE:** The backup process may take over an hour, depending on file size and the speed of the computer.

1. Select **Start > All Programs > Maintenance > Backup and Restore**.


2. Follow the on-screen instructions to set up your backup, create a system image (select models only), or create a system repair disc (select models only).

 **NOTE:** Windows includes the User Account Control feature to improve the security of your computer. You may be prompted for your permission or password for tasks such as installing software, running utilities, or changing Windows settings. Refer to Help and Support for more information.

Performing a recovery

In case of system failure or instability, the computer provides the following tools to recover your files:


- Windows recovery tools: You can use the Backup and Restore to recover information you have previously backed up. You can also use Windows Startup Repair to fix problems that might prevent Windows from starting correctly.
- **f11** recovery tools: You can use the **f11** recovery tools to recover your original hard drive image. The image includes the Windows operating system and software programs installed at the factory.

 **NOTE:** If you are unable to boot (start up) your computer and you cannot use the system repair discs you previously created (select models only), you must purchase a Windows 7 operating system DVD to reboot the computer and repair the operating system. For additional information, refer to the “Using a Windows 7 operating system DVD (purchased separately)” section in this guide.


Using the Windows recovery tools

To recover information you previously backed up, follow these steps:

1. Click **Start > All Programs > Maintenance > Backup and Restore** .
2. Follow the on-screen instructions to recover your entire computer (select models only) or your files.

 **NOTE:** Windows includes the User Account Control feature to improve the security of your computer. You may be prompted for your permission or password for tasks such as installing software, running utilities, or changing Windows settings. Refer to Help and Support for more information.


To recover your information using Startup Repair, follow these steps:

 **CAUTION:** Using Startup Repair completely erases hard drive contents and reformats the hard drive. All files you have created and any software installed on the computer are permanently removed. When reformatting is complete, the recovery process restores the operating system, as well as the drivers, software, and utilities from the backup used for recovery.


1. If possible, back up all personal files.
2. If possible, check for the presence of the Windows partition and the HP Recovery partition.

To check for the Windows partition, select **Start > Computer**.


To check for the HP Recovery partition, select **Start**, right-click **Computer**, click **Manage**, and then click **Disk Management**.

 **NOTE:** If the Windows partition and the HP Recovery partition are not listed, you must recover your operating system and programs using the Windows 7 operating system DVD and the *Driver Recovery* disc (both purchased separately). For additional information, refer to the “Using a Windows 7 operating system DVD (purchased separately)” section in this guide.

3. If the Windows partition and the HP Recovery partition are listed, restart the computer, and then press **f8** before the Windows operating system loads.
4. Select **Repair your computer**.
5. Follow the on-screen instructions.


 **NOTE:** For additional information on recovering information using the Windows tools, perform a search for these topics in Help and Support.

Using f11

 **CAUTION:** Using **f11** completely erases hard drive contents and reformats the hard drive. All files you have created and any software installed on the computer are permanently removed. The **f11** recovery tool reinstalls the operating system and HP programs and drivers that were installed at the factory. Software not installed at the factory must be reinstalled.

To recover the original hard drive image using **f11**, follow these steps:


1. If possible, back up all personal files.
2. If possible, check for the presence of the HP Recovery partition: Select **Start**, right-click **Computer**, click **Manage**, then click **Disk Management**.

 **NOTE:** If the HP Recovery partition is not listed, you must recover your operating system and programs using the Windows 7 operating system DVD and the *Driver Recovery* disc (both purchased separately). For additional information, refer to the “Using a Windows 7 operating system DVD (purchased separately)” section in this guide.


3. If the HP Recovery partition is listed, restart the computer, and then press **esc** while the “Press the ESC key for Startup Menu” message is displayed at the bottom of the screen.
4. Press **f11** to enter HP Recovery.
5. Follow the on-screen instructions.

Using a Windows 7 operating system DVD (purchased separately)

If you are unable to boot (start up) your computer and you cannot use the system repair discs you previously created (select models only), you must purchase a Windows 7 operating system DVD to reboot the computer and repair the operating system. Make sure that your most recent backup (stored on discs or on an external drive) is easily accessible. To order a Windows 7 operating system DVD, go to <http://www.hp.com/support>, select your country or region, and follow the on-screen instructions. You can also order the DVD by calling technical support. For contact information, refer to the *Worldwide Telephone Numbers* booklet included with the computer.

 **CAUTION:** Using a Windows 7 operating system DVD completely erases hard drive contents and reformats the hard drive. All files you have created and any software installed on the computer are permanently removed. When reformatting is complete, the recovery process helps you restore the operating system, as well as drivers, software, and utilities.

To initiate recovery using a Windows 7 operating system DVD, follow these steps:

 **NOTE:** This process takes several minutes.

1. If possible, back up all personal files.
2. Restart the computer, and then insert the Windows 7 operating system DVD into the optical drive before the Windows operating system loads.

3. When prompted, press any keyboard key.
4. Follow the on-screen instructions.
5. Click **Next**.
6. Select **Repair your computer**.
7. Follow the on-screen instructions.


Backup and recovery in Windows Vista


Overview

To protect your information, use Backup and Restore to back up individual files and folders, back up your entire hard drive (select models only), or create system restore points. In case of system failure, you can use the backup files to restore the contents of your computer.

Backup and Restore provides the following options:

- Backing up individual files and folders
- Backing up the entire hard drive (select models only)
- Scheduling automatic backups (select models only)
- Creating system restore points
- Recovering individual files
- Restoring the computer to a previous state
- Recovering information using recovery tools

 **NOTE:** For detailed instructions, perform a search for these topics in Help and Support.

 **NOTE:** In case of system instability, HP recommends that you print the recovery procedures and save them for later use.

Backing up your information

Recovery after a system failure is as complete as your most current backup. You should create your initial backup immediately after software setup. As you add new software and data files, you should continue to back up your system on a regular basis to maintain a reasonably current backup.

You can back up your information to an optional external hard drive, a network drive, or discs.

Note the following when backing up:

- Store personal files in the Documents folder, and back it up regularly.
- Back up templates that are stored in their associated programs.

- Save customized settings that appear in a window, toolbar, or menu bar by taking a screen shot of your settings. The screen shot can be a time-saver if you have to reset your preferences.

To create a screen shot:

1. Display the screen you want to save.

2. Copy the screen image:

To copy only the active window, press **alt+fn+prt sc**.


To copy the entire screen, press **fn+prt sc**.

3. Open a word-processing document, and then select **Edit > Paste**.

The screen image is added to the document.


4. Save the document.


- When backing up to discs, use any of the following types of discs (purchased separately): CD-R, CD-RW, DVD+R, DVD+R DL, DVD-R, DVD-R DL, or DVD±RW. The discs you use will depend on the type of optical drive installed in your computer.

 **NOTE:** DVDs and DVDs with double-layer (DL) support store more information than CDs, so using them for backup reduces the number of recovery discs required.

- When backing up to discs, number each disc before inserting it into the optical drive of the computer.


To create a backup using Backup and Restore , follow these steps:

 **NOTE:** Be sure that the computer is connected to AC power before you start the backup process.

 **NOTE:** The backup process may take over an hour, depending on file size and the speed of the computer.

1. Select **Start > All Programs > Maintenance > Backup and Restore**.


2. Follow the on-screen instructions to back up your entire computer (select models only) or your files.

 **NOTE:** Windows includes the User Account Control feature to improve the security of your computer. You may be prompted for your permission or password for tasks such as installing software, running utilities, or changing Windows settings. Refer to Help and Support for more information.

Performing a recovery

In case of system failure or instability, the computer provides the following tools to recover your files:


- Windows recovery tools: You can use Backup and Restore to recover information you have previously backed up. You can also use Windows Startup Repair to fix problems that might prevent Windows from starting correctly.
- **f11** recovery tools: You can use the **f11** recovery tools to recover your original hard drive image. The image includes the Windows operating system and software programs installed at the factory.

 **NOTE:** If you are unable to boot (start up) your computer, you must purchase a Windows Vista® operating system DVD to reboot the computer and repair the operating system. For additional information, refer to the “Using a Windows Vista operating system DVD (purchased separately)” section in this guide.


Using the Windows recovery tools

To recover information you previously backed up, follow these steps:


1. Click **Start > All Programs > Maintenance > Backup and Restore**.
2. Follow the on-screen instructions to recover your entire computer (select models only) or your files.

 **NOTE:** Windows includes the User Account Control feature to improve the security of your computer. You may be prompted for your permission or password for tasks such as installing software, running utilities, or changing Windows settings. Refer to Help and Support for more information.


To recover your information using Startup Repair, follow these steps:

 **CAUTION:** Using Startup Repair completely erases hard drive contents and reformats the hard drive. All files you have created and any software installed on the computer are permanently removed. When reformatting is complete, the recovery process restores the operating system, as well as the drivers, software, and utilities from the backup used for recovery.


1. If possible, back up all personal files.
2. If possible, check for the presence of the Windows partition and the HP Recovery partition. To find the partitions, select **Start > Computer**.

 **NOTE:** If the Windows partition and the HP Recovery partition have been deleted, you must recover your operating system and programs using the Windows Vista operating system DVD and the *Driver Recovery* disc (both purchased separately). For additional information, refer to the “Using a Windows Vista operating system DVD (purchased separately)” section in this guide.

3. Restart the computer, and then press **f8** before the Windows operating system loads.
4. Select **Repair your computer**.
5. Follow the on-screen instructions.


 **NOTE:** For additional information on recovering information using the Windows tools, perform a search for these topics in Help and Support.

Using f11

 **CAUTION:** Using **f11** completely erases hard drive contents and reformats the hard drive. All files you have created and any software installed on the computer are permanently removed. The **f11** recovery tool reinstalls the operating system and HP programs and drivers that were installed at the factory. Software not installed at the factory must be reinstalled.

To recover the original hard drive image using **f11**, follow these steps:


1. If possible, back up all personal files.
2. If possible, check for the presence of the HP Recovery partition. To find the partition, select **Start > Computer**.

 **NOTE:** If the HP Recovery partition has been deleted, you must recover your operating system and programs using the Windows Vista operating system DVD and the *Driver Recovery* disc (both purchased separately). For additional information, refer to the “Using a Windows Vista operating system DVD (purchased separately)” section in this guide.


3. Turn on or restart the computer, and then press **esc** while the “Press the ESC key for Startup Menu” message is displayed at the bottom of the screen.
4. Press **f11** to enter HP Recovery.
5. Follow the on-screen instructions.

Using a Windows Vista operating system DVD (purchased separately)

If you are unable to boot (start up) your computer, you must purchase a Windows Vista operating system DVD to reboot the computer and repair the operating system. Make sure that your most recent backup (stored on discs or on an external drive) is easily accessible. To order a Windows Vista operating system DVD, go to <http://www.hp.com/support>, select your country or region, and follow the on-screen instructions. You can also order the DVD by calling technical support. For contact information, refer to the *Worldwide Telephone Numbers* booklet included with the computer.

 **CAUTION:** Using a Windows Vista operating system DVD completely erases hard drive contents and reformats the hard drive. All files you have created and any software installed on the computer are permanently removed. When reformatting is complete, the recovery process helps you restore the operating system, as well as drivers, software, and utilities.

To initiate recovery using a Windows Vista operating system DVD, follow these steps:

 **NOTE:** This process takes several minutes.

1. If possible, back up all personal files.
2. Restart the computer, and then insert the Windows Vista operating system DVD into the optical drive before the Windows operating system loads.
3. When prompted, press any keyboard key.
4. Follow the on-screen instructions.
5. Click **Next**.
6. Select **Repair your computer**.
7. Follow the on-screen instructions.


Backup and recovery in Windows XP


Overview

To protect your information, use the Windows® Backup utility (select models only) to back up files and folders or create recovery points. In case of system failure, you can use the backup files to restore your computer.

Windows provides the following options:

- Backing up individual files and folders
- Backing up all files and folders
- Scheduling automatic backups
- Creating recovery points
- Recovering information

 **NOTE:** For detailed instructions, perform a search for these topics in Help and Support.

 **NOTE:** In case of system instability, HP recommends that you print the recovery procedures and save them for later use.

Backing up your information

Recovery after a system failure is as complete as your most current backup. You should create your initial backup immediately after software setup. As you add new software and data files, you should continue to back up your system on a regular basis to maintain a reasonably current backup.

You can back up individual files or folders to an optional external hard drive or to a network drive.

Note the following when backing up:

- Store personal files in the My Documents folder, and back it up periodically.
- Back up templates stored in their associated programs.
- Save customized settings that appear in a window, toolbar, or menu bar by taking a screen shot of your settings. The screen shot can be a time saver if you have to reset your preferences.

To copy the screen and paste it into a word-processing document:

a. Display the screen you want to save.

b. Copy the screen image:

To copy only the active window, press [alt+fn+prt sc](#).


To copy the entire screen, press [fn+prt sc](#).


c. Open a word-processing document, click **Edit > Paste**.

The screen image is added to the document.

- d. Save the document.

To create a backup using the Windows Backup utility (select models only), follow these steps:

 **NOTE:** Be sure that the computer is connected to AC power before you start the backup process.

 **NOTE:** The backup process may take over an hour, depending on file size and the speed of the computer.

1. Click **Start > All Programs > Accessories > System Tools > Backup**.
2. Follow the on-screen instructions.

Performing a recovery

In case of system failure or instability, the computer provides the following tools to recover your files:

- Windows recovery tools (select models only): You can use the Windows Backup utility to recover information you have previously backed up.
- *Operating System* and *Driver Recovery* discs (included with your computer): You can use the discs to recover your operating system and programs installed at the factory.


Recovering your information

To recover information you previously backed up, follow these steps:


1. If possible, back up all personal files.
2. Click **Start > All Programs > Accessories > System Tools > Backup**.

The Backup or Restore Wizard opens.

3. Click **Restore files and settings**, and then click **Next**.
4. Follow the on-screen instructions.

 **NOTE:** For additional information on initiating a recovery in Windows, perform a search for this topic in Help and Support.

Recovering the operating system and programs

 **CAUTION:** The recovery process reformats and completely erases the hard drive. All files you have created and any software installed on the computer are permanently removed. The recovery process reinstalls the original operating system, software, and drivers. Software, drivers, and updates not installed by HP must be manually reinstalled.

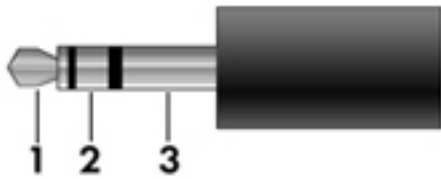
To recover your operating system and programs, follow these steps:

1. If possible, back up all personal files.
2. Insert the *Operating System* disc into the optical drive.

3. Shut down the computer.
4. Turn on the computer.
5. Follow the on-screen instructions to install the operating system.
6. After the operating system is installed, remove the *Operating System* disc and insert the *Driver Recovery* disc.
7. Follow the on-screen instructions to install the drivers and programs.

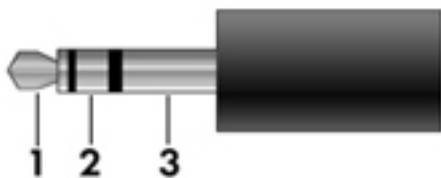
8 Connector pin assignments

Audio-in (microphone)



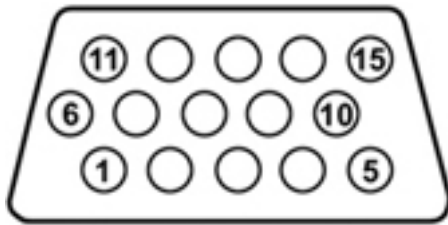
Pin	Signal
1	Audio signal in
2	Audio signal in
3	Ground

Audio-out (headphone)



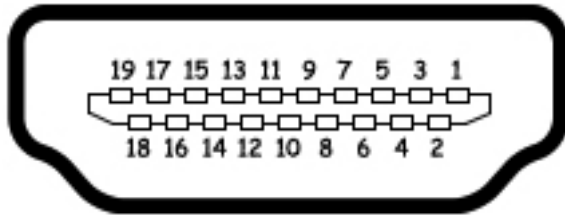
Pin	Signal
1	Audio out, left channel
2	Audio out, right channel
3	Ground

External monitor



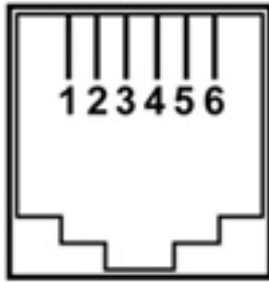
Pin	Signal
1	Red analog
2	Green analog
3	Blue analog
4	Not connected
5	Ground
6	Ground analog
7	Ground analog
8	Ground analog
9	+5 VDC
10	Ground
11	Monitor detect
12	DDC 2B data
13	Horizontal sync
14	Vertical sync
15	DDC 2B clock

HDMI



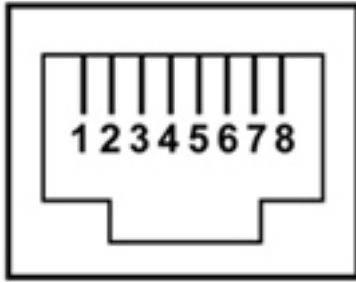
Pin	Signal
1	Transition minimized differential signal (TMDS) data 2+
2	TMDS data 2 shield
3	TMDS data 2-
4	TMDS data 1+
5	TMDS data 1 shield
6	TMDS data 1-
7	TMDS data 0+
8	TMDS data 0 shield
9	TMDS data 0-
10	TMDS clock+
11	TMDS clock shield
12	TMDS clock-
13	Consumer electronic control (CEC)
14	Not connected
15	DDC clock
16	DDC data
17	Ground
18	+5V power
19	Hot plug detect

RJ-11 (modem)



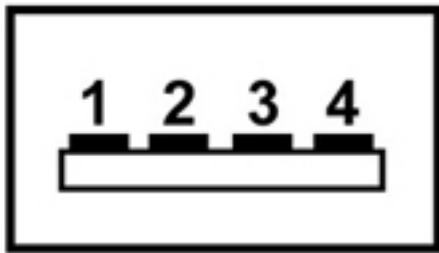
Pin	Signal
1	Unused
2	Tip
3	Ring
4	Unused
5	Unused
6	Unused

RJ-45 (network)



Pin	Signal
1	Transmit +
2	Transmit -
3	Receive +
4	Unused
5	Unused
6	Receive -
7	Unused
8	Unused

Universal Serial Bus



Pin	Signal
1	+5 VDC
2	Data -
3	Data +
4	Ground

9 Power cord set requirements

The wide range input feature of the computer permits it to operate from any line voltage from 100 to 120 volts AC or from 220 to 240 volts AC.

The 3-conductor power cord set included with the computer meets the requirements for use in the country or region where the equipment is purchased.

Power cord sets for use in other countries and regions must meet the requirements of the country or region where the computer is used.

Requirements for all countries and regions

The requirements listed below are applicable to all countries and regions:

- The length of the power cord set must be at least 1.5 m (5.0 ft) and no more than 2.0 m (6.5 ft).
- All power cord sets must be approved by an acceptable accredited agency responsible for evaluation in the country or region where the power cord set will be used.
- The power cord sets must have a minimum current capacity of 10 amps and a nominal voltage rating of 125 or 250 V AC, as required by the power system of each country or region.
- The appliance coupler must meet the mechanical configuration of an EN 60 320/IEC 320 Standard Sheet C13 connector for mating with the appliance inlet on the back of the computer.

Requirements for specific countries and regions

Country/region	Accredited agency	Applicable note number
Australia	EANSW	1
Austria	OVE	1
Belgium	CEBC	1
Canada	CSA	2
Denmark	DEMKO	1
Finland	FIMKO	1
France	UTE	1
Germany	VDE	1
Italy	IMQ	1
Japan	METI	3
The Netherlands	KEMA	1
Norway	NEMKO	1
The People's Republic of China	CCC	5
South Korea	EK	4
Sweden	SEMKO	1
Switzerland	SEV	1
Taiwan	BSMI	4
The United Kingdom	BSI	1
The United States	UL	2

1. The flexible cord must be Type HO5VV-F, 3-conductor, 1.0-mm² conductor size. Power cord set fittings (appliance coupler and wall plug) must bear the certification mark of the agency responsible for evaluation in the country or region where it will be used.
2. The flexible cord must be Type SPT-3 or equivalent, No. 18 AWG, 3-conductor. The wall plug must be a two-pole grounding type with a NEMA 5-15P (15 A, 125 V) or NEMA 6-15P (15 A, 250 V) configuration.
3. The appliance coupler, flexible cord, and wall plug must bear a "T" mark and registration number in accordance with the Japanese Dentori Law. The flexible cord must be Type VCT or VCTF, 3-conductor, 1.00-mm² conductor size. The wall plug must be a two-pole grounding type with a Japanese Industrial Standard C8303 (7 A, 125 V) configuration.
4. The flexible cord must be Type RVV, 3-conductor, 0.75-mm² conductor size. Power cord set fittings (appliance coupler and wall plug) must bear the certification mark of the agency responsible for evaluation in the country or region where it will be used.
5. The flexible cord must be Type VCTF, 3-conductor, 0.75-mm² conductor size. Power cord set fittings (appliance coupler and wall plug) must bear the certification mark of the agency responsible for evaluation in the country or region where it will be used.

10 Recycling

Battery

When a battery has reached the end of its useful life, do not dispose of the battery in general household waste. Follow the local laws and regulations in your area for computer battery disposal.

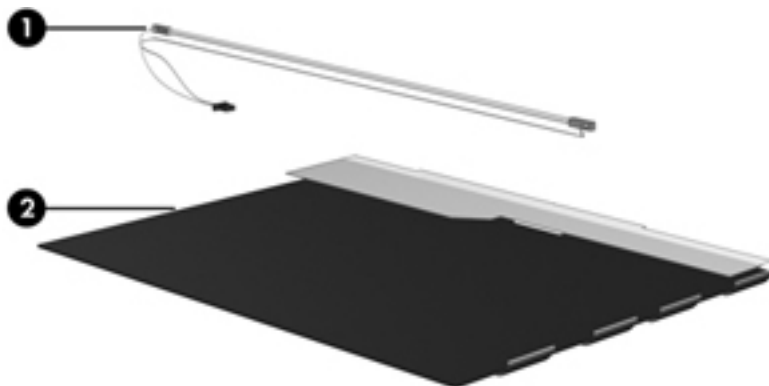
Display

⚠ **WARNING!** The backlight contains mercury. Exercise caution when removing and handling the backlight to avoid damaging this component and causing exposure to the mercury.

⚠ **CAUTION:** The procedures in this chapter can result in damage to display components. The only components intended for recycling purposes are the liquid crystal display (LCD) panel and the backlight. When you remove these components, handle them carefully.

📄 **NOTE: Materials Disposal.** This HP product contains mercury in the backlight in the display assembly that might require special handling at end-of-life. Disposal of mercury may be regulated because of environmental considerations. For disposal or recycling information, contact your local authorities, or see the Electronic Industries Alliance (EIA) Web site at <http://www.eiae.org>.

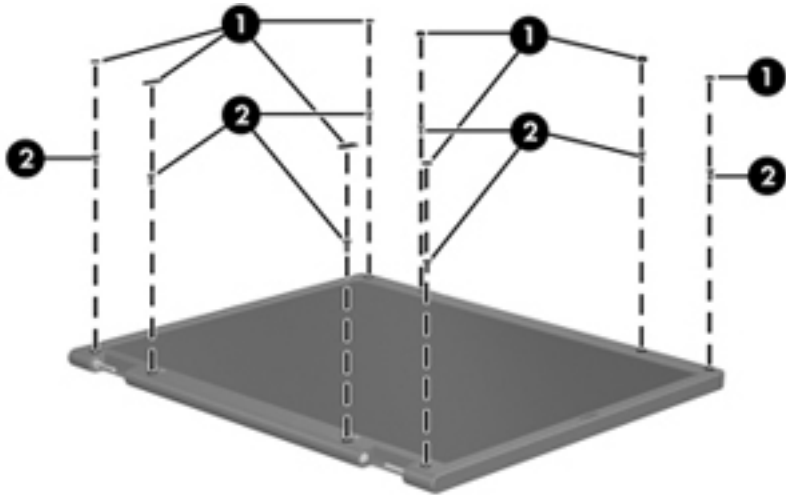
This section provides disassembly instructions for the display assembly. The display assembly must be disassembled to gain access to the backlight **(1)** and the liquid crystal display (LCD) panel **(2)**.



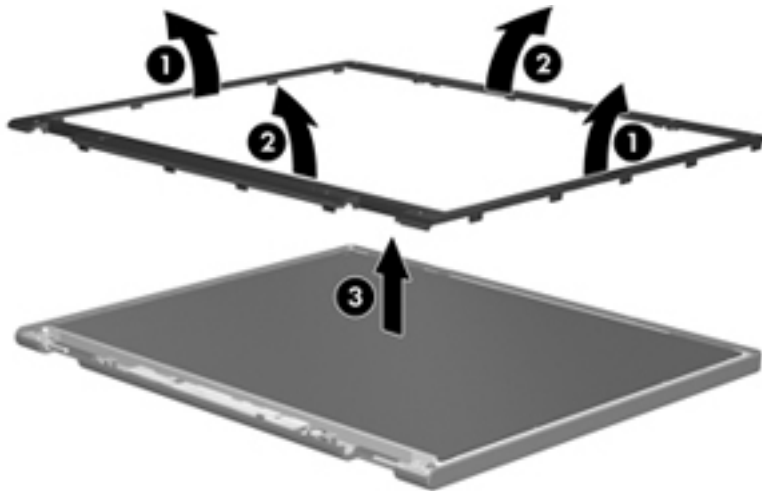
📄 **NOTE:** The procedures provided in this chapter are general disassembly instructions. Specific details, such as screw sizes, quantities, and locations, and component shapes and sizes, can vary from one computer model to another.

Perform the following steps to disassemble the display assembly:

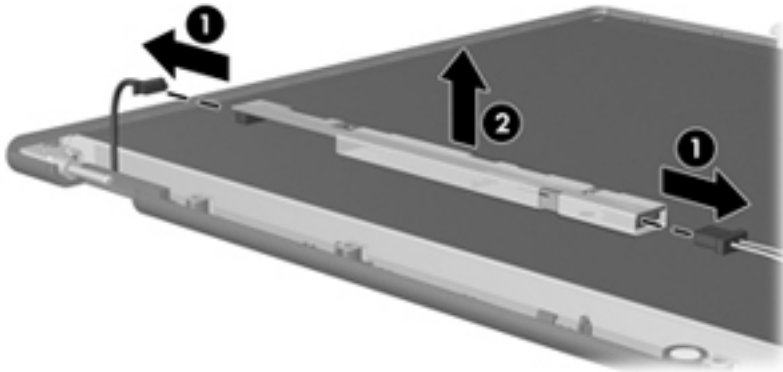
1. Remove all screw covers **(1)** and screws **(2)** that secure the display bezel to the display assembly.



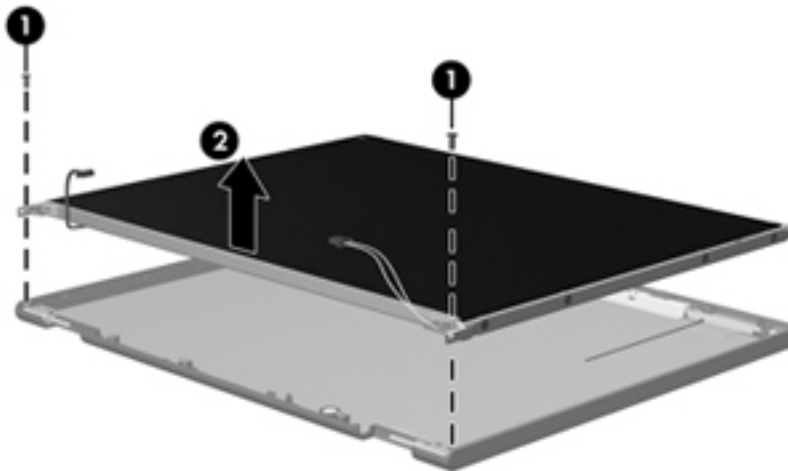
2. Lift up and out on the left and right inside edges **(1)** and the top and bottom inside edges **(2)** of the display bezel until the bezel disengages from the display assembly.
3. Remove the display bezel **(3)**.



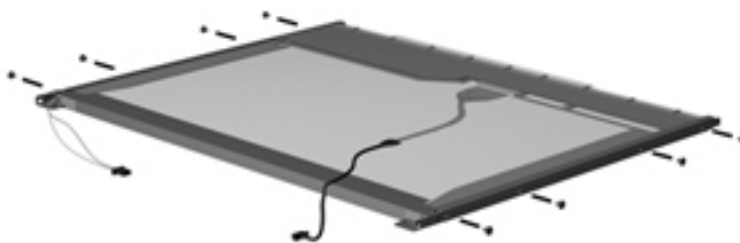
4. Disconnect all display panel cables **(1)** from the display inverter and remove the inverter **(2)**.



5. Remove all screws **(1)** that secure the display panel assembly to the display enclosure.
6. Remove the display panel assembly **(2)** from the display enclosure.

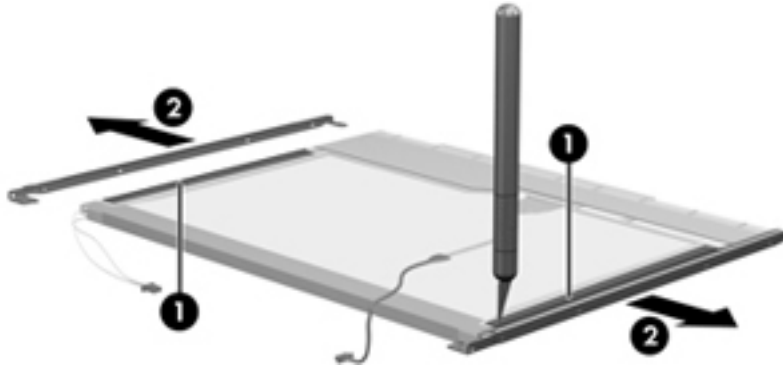


7. Turn the display panel assembly upside-down.
8. Remove all screws that secure the display panel frame to the display panel.



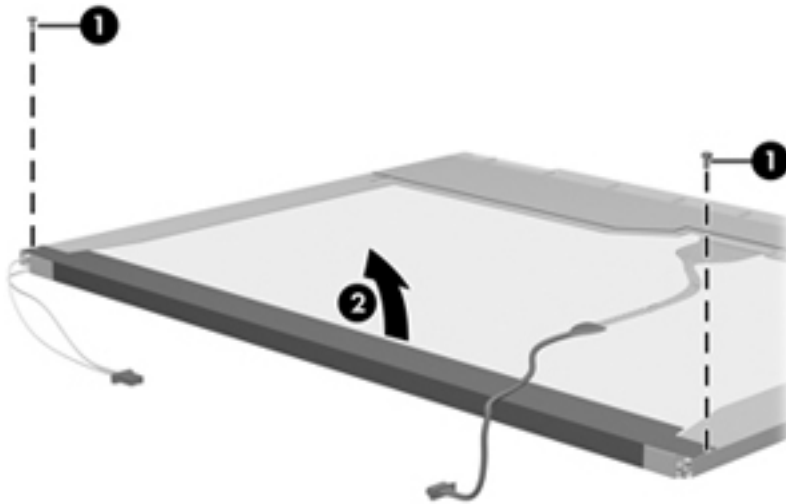
9. Use a sharp-edged tool to cut the tape **(1)** that secures the sides of the display panel to the display panel frame.

10. Remove the display panel frame **(2)** from the display panel.



11. Remove the screws **(1)** that secure the backlight cover to the display panel.

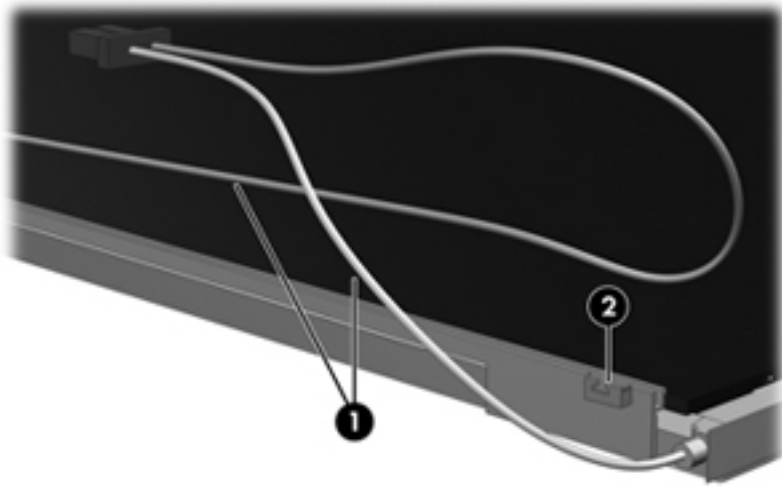
12. Lift the top edge of the backlight cover **(2)** and swing it outward.



13. Remove the backlight cover.

14. Turn the display panel right-side up.

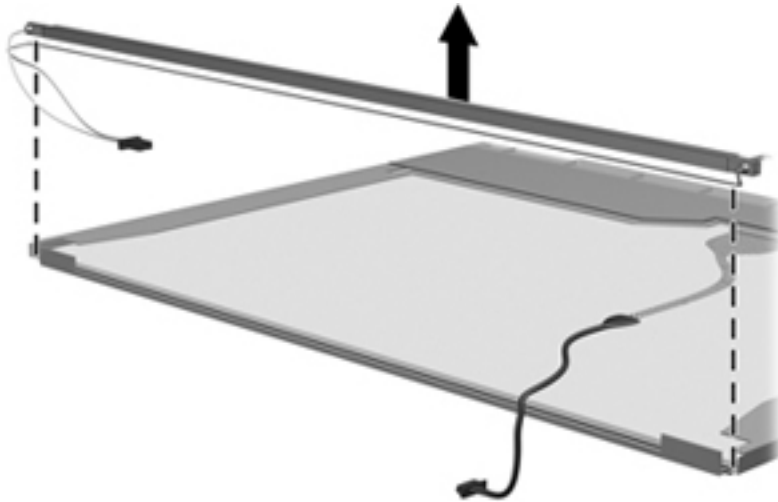
15. Remove the backlight cables (1) from the clip (2) in the display panel.



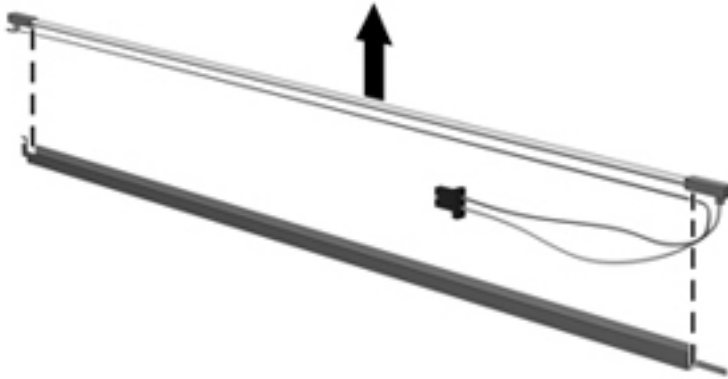
16. Turn the display panel upside-down.

⚠ WARNING! The backlight contains mercury. Exercise caution when removing and handling the backlight to avoid damaging this component and causing exposure to the mercury.

17. Remove the backlight frame from the display panel.



18. Remove the backlight from the backlight frame.

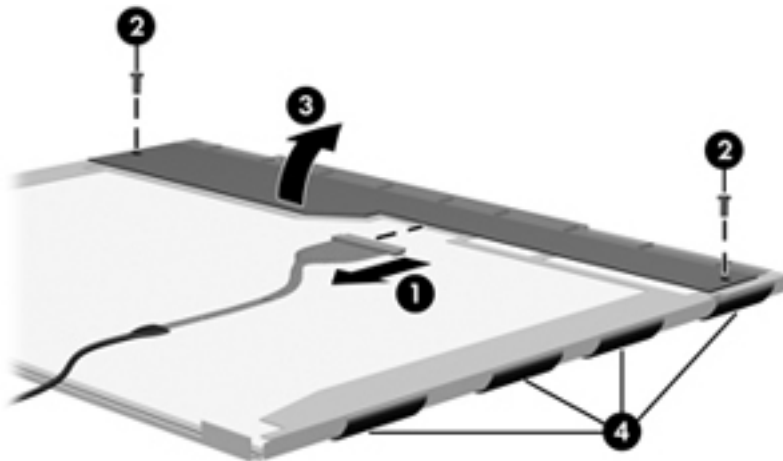


19. Disconnect the display panel cable **(1)** from the LCD panel.

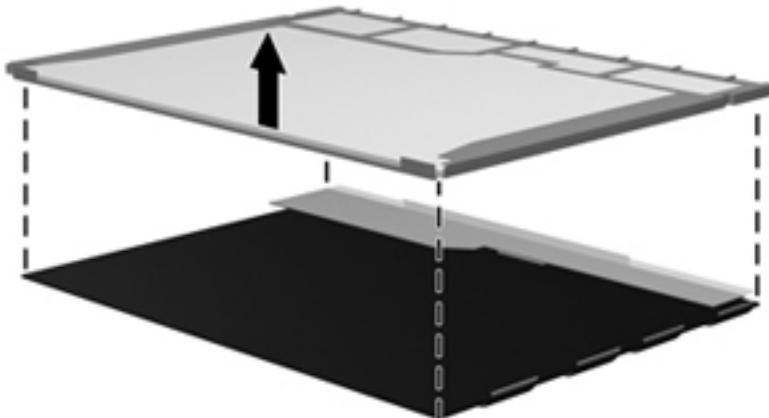
20. Remove the screws **(2)** that secure the LCD panel to the display rear panel.

21. Release the LCD panel **(3)** from the display rear panel.

22. Release the tape **(4)** that secures the LCD panel to the display rear panel.



23. Remove the LCD panel.



24. Recycle the LCD panel and backlight.

Index

A

- AC adapter
 - spare part numbers 39
 - AC adapter, identifying 23
 - access door
 - spare part number 32
 - AMT options 122
 - AMT setup prompt (Ctrl-P) 122
 - firmware progress event support. 122
 - firmware verbosity 122
 - initiate Intel CIRA 122
 - terminal emulation mode 122
 - unconfigure AMT on next boot 122
 - USB key provisioning support 122
 - antenna, disconnecting 67
 - audio board
 - removal 111
 - spare part number 30, 111
 - audio, product description 4
 - audio-in (microphone) jack
 - identifying 16
 - pin assignments 148
 - audio-out (headphone) jack
 - identifying 16
 - pin assignments 148
- ## B
- backing up
 - Windows 7 137
 - Windows Vista 141
 - Windows XP 145
 - Backup and Restore 137, 138, 141, 142
 - base enclosure
 - spare part number 30

- battery
 - removal 56
 - spare part number 30, 56
- battery bay 19
- battery release latches, identifying 19
- battery, identifying 23
- bays, battery 19
- BIOS administrator password 117
- Bluetooth module
 - removal 89
 - spare part number 29, 89
- Bluetooth module cable, illustrated 36
- boot options 118, 127
- boot order 118, 127
- built-in device
 - ambient light sensor 121
 - audio device 121
 - bay device 121
 - Bluetooth device 121
 - fingerprint reader 121
 - integrated camera 121
 - internal speakers 121
 - microphone 121
 - modem 121
 - Network Interface Controller (LAN) 121
 - options 121
 - power monitor circuit 121
 - Wake on LAN 121
 - wireless button 121
 - WLAN device 121
 - WWAN device 121
- buttons
 - power 13

C

- Cable Kit
 - contents 36
 - spare part number 36
 - cables, service considerations 50
 - caps lock light, identifying 11
 - chipset, product description 2
 - components
 - additional hardware 23
 - bottom 19
 - display 20
 - front 16
 - left-side 18
 - right-side 16
 - top 10
 - wireless antennas 22
 - computer feet
 - locations 55
 - spare part number 55
 - Computer Setup
 - accessing 113, 123
 - Diagnostics menu 126
 - File menu 115, 125
 - navigating and selecting 113, 124
 - restoring factory settings 114, 124
 - Security menu 117, 126
 - System Configuration menu 118, 127
 - using 113, 124
 - computer specifications 129
 - connectors, service considerations 50
 - cord, power 23
- ## D
- DC-in cable, illustrated 36
 - device configurations 119

- Diagnostics menu 126
 - discs
 - Driver Recovery 146
 - Operating System 146
 - Disk Sanitizer 117
 - diskette drive
 - precautions 50
 - product description 4
 - display assembly
 - removal 93
 - spare part numbers 27, 93
 - display bezel
 - removal 97
 - spare part number 33
 - display component recycling 155
 - display enclosure
 - spare part number 34
 - Display Hinge Kit
 - spare part number 33
 - Display Hinge Kit, spare part number 99
 - display panel
 - removal 99
 - display specifications 130, 132, 133
 - drive button
 - optical drive 17
 - DriveLock
 - automatic 117
 - password 117
 - Driver Recovery disc 146
 - drives
 - boot order 118, 127
 - optical 16
 - preventing damage 50
 - DVD-ROM Drive
 - removal 68
 - spare part number 32, 38, 68
 - specifications 135
 - DVD±RW Double-Layer Drive with LightScribe
 - precautions 50
 - removal 68
 - spare part number 32, 38, 68
 - specifications 136
- E**
- electrostatic discharge 51
 - esc key, identifying 14, 15
 - Ethernet, product description 4
- Execution disable 119
 - ExpressCard slot bezel, illustrated 35
 - ExpressCard slot, identifying 18
 - external media cards, product description 5
 - external monitor port
 - identifying 18
 - pin assignments 149
- F**
- f11 recovery 140, 143
 - fan
 - removal 69
 - spare part number 28, 69
 - feet
 - locations 55
 - spare part number 55
 - File menu 115, 125
 - fn key, identifying 14, 15
 - function keys, identifying 14, 15
- G**
- graphics, product description 2
 - grounding equipment and methods 53
- H**
- hard drive
 - precautions 50
 - product description 3
 - removal 59
 - spare part numbers 31, 37, 59
 - specifications 134
 - hard drive bracket, removal 61
 - hard drive extender
 - spare part number 29
 - hard drive recovery 140, 143
 - HDMI port, pin assignments 150
 - headphone (audio-out) jack 16
 - pin assignments 148
 - heat sink
 - removal 70
 - spare part number 28
 - hinge, spare part number 99
 - HP QuickLook 120
- I**
- integrated microphone, identifying 21
- internal display switch, identifying 13
- J**
- jacks
 - audio-in (microphone) 16
 - audio-out (headphone) 16
 - RJ-11 (modem) 16
 - RJ-45 (network) 18
- K**
- keyboard
 - product description 6
 - removal 78
 - spare part number 28, 78
 - keypad keys, identifying 14, 15
 - keys
 - esc 14, 15
 - fn 14, 15
 - function 14, 15
 - keypad 14, 15
 - wireless 14, 15
- L**
- language, changing in Computer Setup 118
 - latches, battery release 19
 - LCD Cable
 - contents 37
 - spare part number 37
 - legacy support, USB 113, 119, 123, 127
 - lights
 - caps lock 11
 - optical drive 17
 - power 12
 - webcam 21
 - wireless 12
- M**
- main battery cable
 - removal 106
 - mass storage devices, spare part numbers 37
 - memory module
 - product description 3
 - removal 64
 - spare part numbers 30, 64
 - microphone (audio-in) jack
 - identifying 16
 - pin assignments 148

- microphone cable
 - spare part number 34
- model name 1
- modem jack, pin assignments 151
- modem module
 - product description 4
 - removal 109
 - spare part numbers 29, 109
- monitor port
 - external 18
 - pin assignments 149
- Multi Core CPU 120

N

- network jack, pin assignments 152
- Num lock state 120

O

- Operating System disc 146
- operating system, product description 6
- optical drive
 - identifying 16
 - precautions 50
 - product description 4
 - removal 68
 - spare part number 32, 38, 68
 - specifications 135, 136
- optical drive bezel, illustrated 35
- optical drive button, identifying 17
- optical drive extender
 - spare part number 29
- optical drive light, identifying 17

P

- packing guidelines 52
- palm rest
 - removal 73
 - spare part number 28
 - spare part numbers 73
- panels, product description 2
- passwords 117, 126
- pin assignments
 - audio-in jack 148
 - audio-out (headphone) jack 148
 - external monitor port 149
 - HDMI 150

- headphone (audio-out) jack 148
- microphone (audio-in) jack 148
- modem jack 151
- monitor port 149
- network jack 152
- RJ-11 151
- RJ-45 (network) jack 152
- Universal Serial Bus (USB) port 152

- plastic parts 49
- Plastics Kit
 - contents 35
 - spare part number 35

- pointing devices, product description 6

- port options 122
 - 1394 port 122
 - eSATA port 122
 - ExpressCard slot 122
 - flash media reader 122
 - parallel port 122
 - serial port 122
 - USB port 122

ports

- external monitor 18
- HDMI 18
- product description 5
- USB 16, 18
- power button, identifying 13
- power cord
 - set requirements 153
 - spare part numbers 39, 40
- power cord, identifying 23
- power light, identifying 12
- power requirements, product description 6

- power switch board
 - removal 87
 - spare part number 28

- processor
 - product description 1
 - removal 71
 - spare part numbers 29, 71
- product description
 - audio 4
 - chipset 2
 - diskette drive 4
 - Ethernet 4

- external media cards 5
- graphics 2
- hard drives 3
- keyboard 6
- memory module 3
- modem module 4
- operating system 6
- optical drives 4
- panels 2
- pointing devices 6
- ports 5
- power requirements 6
- processors 1
- product name 1
- security 6
- serviceability 9
- wireless 5
- product name 1

R

- recovery partition 140, 143
- release latches, battery 19
- removal/replacement
 - preliminaries 49
 - procedures 54
- restore factory settings 115
- restore security defaults 115, 122
- restoring the hard drive 140, 143
- RJ-11 (modem) jack
 - identifying 16
 - pin assignments 151
- RJ-45 (network) jack
 - identifying 18
 - pin assignments 152
- RTC battery
 - removal 108
 - spare part number 29, 40, 108
- Rubber Kit, spare part number 39

S

- SATA (Serial Advanced Technology Attachment) devices
 - AHCI (Advanced Host Controller Interface) 119
 - IDE (Integrated Drive Electronics) 119
- SATA (Serial Advanced Technology Attachment) devices) 119

- Screw Kit
 - spare part number 39
 - SD Card Reader
 - identifying 16
 - security cable slot, identifying 18
 - Security menu 117, 126
 - anti-theft Protection 117
 - Automatic DriveLock 117
 - change password 117
 - Disk Sanitizer 117
 - DriveLock 117
 - f fingerprint reader reset 117
 - HP SpareKey 117
 - HP SpareKey enrollment 117
 - password policy 117
 - set up BIOS administrator password 117
 - System IDs 117
 - user management 117
 - security, product description 6
 - service considerations 49
 - service door
 - removal 56
 - spare part numbers 56
 - service tag, location 24, 54
 - serviceability, product description 9
 - set security level 122
 - setup utility
 - Diagnostics menu 126
 - File menu 115, 125
 - navigating and selecting 113, 124
 - restoring factory settings 114, 124
 - Security menu 117, 126
 - System Configuration menu 118, 127
 - slots
 - ExpressCard 18
 - security cable 18
 - speaker
 - identifying 13
 - speakers
 - removal 92
 - spare part number 30, 92
 - specifications
 - computer 129
 - display 130, 132, 133
 - DVD-ROM Drive 135
 - DVD±RW Double-Layer Drive with LightScribe 136
 - hard drive 134
 - optical drive 135, 136
 - static-shielding materials 53
 - stringent security 126
 - system board
 - removal 102
 - spare part numbers 28, 102
 - system board assembly, spare part number 28
 - System Configuration menu 118, 127
 - system date and time 115
 - system diagnostics 115
 - system fan 119, 127
 - system IDs 117
 - system information 115, 125
- T**
- tools required 49
 - top cover
 - removal 82
 - spare part number 28, 82
 - TouchPad board
 - spare part number 28
 - TouchPad button 10
 - TouchPad scroll zone 10
 - TouchPad, identifying 10
 - transporting guidelines 52
- U**
- Unified Extensible Firmware Interface (UEFI) mode 120
 - USB board
 - spare part numbers 29
 - USB connector assembly
 - removal 90
 - spare part number 90
 - USB legacy support 113, 119, 123, 127
 - USB port
 - identifying 16, 18
 - pin assignments 152
- V**
- vents, identifying 18
 - Virtualization Technology 120
- W**
- wake on USB 120
 - webcam light, identifying 21
 - webcam module
 - spare part number 34
 - webcam, identifying 21
 - Windows 7 operating system
 - DVD 140
 - Windows Backup utility 145, 146
 - Windows recovery 139, 142, 146
 - Windows Vista operating system
 - DVD 144
 - wireless antenna, disconnecting 67
 - wireless light, identifying 12
 - wireless, product description 5
 - WLAN antennas, identifying 22
 - WLAN module
 - removal 66
 - spare part numbers 30, 66
 - workstation guidelines 52
 - WWAN antennas, identifying 22