



HP Pavilion dv4 Entertainment PC

Maintenance and Service Guide

© Copyright 2011 Hewlett-Packard
Development Company, L.P.

Bluetooth is a trademark owned by its proprietor and used by Hewlett-Packard Company under license. Intel, Core, and Pentium are trademarks or registered trademarks of Intel Corporation in the United States and other countries. Microsoft and Windows are U.S. registered trademarks of Microsoft Corporation. SD Logo is a trademark of its proprietor.

The information contained herein is subject to change without notice. The only warranties for HP products and services are set forth in the express warranty statements accompanying such products and services. Nothing herein should be construed as constituting an additional warranty. HP shall not be liable for technical or editorial errors or omissions contained herein.

Third Edition: May 2011

Document Part Number: 645545-003

Safety warning notice


 **WARNING!** To reduce the possibility of heat-related injuries or of overheating the computer, do not place the computer directly on your lap or obstruct the computer air vents. Use the computer only on a hard, flat surface. Do not allow another hard surface, such as an adjoining optional printer, or a soft surface, such as pillows or rugs or clothing, to block airflow. Also, do not allow the AC adapter to contact the skin or a soft surface, such as pillows or rugs or clothing, during operation. The computer and the AC adapter comply with the user-accessible surface temperature limits defined by the International Standard for Safety of Information Technology Equipment (IEC 60950).

Table of contents

1 Product description	1
2 External component identification	5
Top	5
TouchPad	5
Lights	6
Buttons	7
Keys	8
Front	9
Right side	9
Left side	11
Rear	12
Display	13
Bottom	14
3 Illustrated parts catalog	15
Serial number location	15
Computer major components	16
Display assembly components	20
Plastics Kit	21
Mass storage devices	22
Miscellaneous parts	23
Sequential part number listing	24
4 Removal and replacement procedures	29
Preliminary replacement requirements	29
Tools required	29
Service considerations	29
Plastic parts	29
Cables and connectors	30
Drive handling	30

Grounding guidelines	31
Electrostatic discharge damage	31
Packaging and transporting guidelines	32
Workstation guidelines	32
Equipment guidelines	33
Component replacement procedures	34
Serial number	34
Computer feet	35
Battery	36
Memory module	37
Hard drive	39
Optical drive	42
Keyboard	44
WLAN module	46
RTC battery	48
Top cover	49
Power button board	51
TouchPad button board	53
Display assembly	55
Speaker assembly	62
Audio/USB 2.0 board	63
USB 3.0 board*	64
TouchPad LED board	65
Security lock bracket	67
Power connector	69
System board	71
Fan/heat sink assembly	74
Processor	76
Mass storage device connector cables	78
5 Setup Utility	81
Starting Setup Utility	81
Using Setup Utility	81
Changing the language of Setup Utility	81
Navigating and selecting in Setup Utility	82
Displaying system information	82
Restoring default settings in Setup Utility	82
Exiting Setup Utility	83
Setup Utility menus	84
Main menu	84
Security menu	84

System Configuration menu	84
Diagnostics menu	85
6 Specifications	87
Computer specifications	87
35.56-cm (14.0-in) display specifications	88
Hard drive specifications	89
Blu-ray ROM with LightScribe* DVD±R/RW Super Multi Double-Layer Drive specifications	90
DVD±RW SuperMulti Double-Layer Drive with LightScribe* specifications	91
System resource specifications	92
7 Backup and recovery	93
Creating recovery discs	94
Backing up your information	95
Using Windows Backup and Restore	96
Using system restore points	96
When to create restore points	96
Create a system restore point	96
Restore to a previous date and time	97
Performing a recovery	97
Recovering from the recovery discs	97
Recovering from the dedicated recovery partition (select models only)	97
8 Power cord set requirements	99
Requirements for all countries or regions	99
Requirements for specific countries or regions	100
9 Recycling	101
Battery	101
Display	101
Index	107

1 Product description

Category	Description
Product Name	HP Pavilion dv4 Entertainment PC
Processors	Intel Core i7 processor
	Intel® Core™ i7-2620M processor (2.7GHz, SC turbo up to 3.40GHz, 4MB L3), Dual 35W
	Intel Core i5 processor
	Intel® Core™ i5-2540M processor (2.6GHz, SC turbo up to 3.3GHz, 3MB L3), Dual 35W
	Intel® Core™ i5-2520M processor (2.5GHz, SC turbo up to 3.2GHz, 3MB L3), Dual 35W
	Intel Core i5-2430M (2.4GHz, turbo up to 3.0GHz), 1333MHz/3MB L3, Dual 35W
	Intel® Core™ i5-2410M processor (2.3GHz, SC turbo up to 2.9GHz, 3MB L3), Dual 35W
	Intel® Core™ i5-480M processor (2.66GHz, turbo up to 2.93GHz, 3MB L3), Dual 35W
	Intel Core i3 processors
	Intel® Core™ i3-2310M processor (2.1GHz, 3MB L3), Dual 35W
	Intel Core i3-2330M (2.2GHz), 1333MHz/3MB L3, Dual 35W
	Intel Core i3-2350M (2.3GHz), 1333MHz/3MB L3, Dual 35W
	Intel® Core™ i3-390M processor (2.66GHz, 3MB L3), Dual 35W
	Intel® Core™ i3-380M processor (2.53GHz, 3MB L3), Dual 35W
	Intel Pentium® processors
	Intel® Pentium P6300 processor (2.26GHz, 3MB L3), Dual 35W
	Intel® Pentium P6200 processor (2.13GHz, 3MB L3), Dual 35W
	Intel Pentium B940 (2.0GHz), TJ85, 2M Cache, Dual 35W TDP
	Intel Pentium B950 (2.1GHz) TJ85, 2M Cache, Dual 35W TDP
Chipset	Intel HM65 Express Intel HM55 Express
Graphics	Switchable discrete graphics

Category	Description
	AMD Whistler Pro (Radeon™ HD 6750M) with 1024MB of dedicated video memory (32x32 GDDR5 x 8 PCs, 5Gbps)
	AMD Whistler Pro (Radeon™ HD 6650M) with 1024MB of dedicated video memory (64x16 DDR3 900MHz x 8 PCs)
	AMD Whistler Pro (Radeon™ HD 6650M) with 1024MB of dedicated video memory (64x16 DDR3 900MHz x 8 PCs)
	Support HD Decode, DX11, and HDMI
	Support BACO
Panel	35.56-cm (14.0-in) HD LED BrightView (1366 x 768 resolution)
	16:9 ultra wide aspect ratio
Memory	2 SODIMM slots
	Customer-accessible and upgradable
	Supports up to 8 GB of system memory
	DDR3, 1066-MHz, dual-channel memory (DDR3 1333 MHz downgraded to DDR3 1066 MHz)
	Supports the following configurations:
	<ul style="list-style-type: none"> • 8 GB (4 GB×2) (select models only) • 6 GB (2 GB×1 + 4 GB×1) (select models only) • 4 GB (2 GB×2 or 4 GB×1) • 3 GB (1 GB×1 + 2 GB×1) • 2 GB (2 GB×1) • 2 GB (1 GB×2) • 1 GB (1 GB×1) (select models only)
Hard drives	HP ProtectSmart Hard Drive Protection
	Supports the following SATA hard drives
	<ul style="list-style-type: none"> • 1 TB, 5400 rpm 12.7 mm • 750 GB, 7200 and 5400 rpm 9.5 mm • 640 GB, 7200 and 5400 rpm 9.5 mm • 500 GB, 7200 and 5400 rpm 9.5 mm • 320 GB, 7200 and 5400 rpm 7 mm and 9.5 mm • 250 GB, 7200 rpm 7 mm and 9.5 mm
Optical drives	Supports the following 12.7-mm (0.50-in) tray load, fixed, SATA drives:
	DVD±RW SuperMulti Double-Layer Drive with LightScribe*
	DVD±RW SuperMulti Double-Layer Drive (via SW control)
	Blu-ray ROM with LightScribe* DVD±R/RW SuperMulti DL Drive
	Blu-ray ROM DVD±R/RW SuperMulti DL Drive (via SW control)

Category	Description
	NOTE: *Select models only.
Camera	HP TrueVision HD Fixed (no tilt), activity LED 1280 × 800 by 30 frames per second
Microphone	Dual digital microphones, beam forming, echo cancellation, noise suppression
Audio	Dolby Home Theater, HD audio Supports Microsoft® Premium requirements Altec Lansing speakers
Ethernet	Integrated 10/100/1000 network interface card (NIC)
Wireless	Integrated wireless local area network (WLAN) options by way of wireless module: Atheros 9285G 802.11b/g/n 1x1 WiFi Adapter Intel Centrino® Wireless-N 1000 802.11b/g/n 1x2 with WiDi support Intel Centrino Wireless-N 1030 + Bluetooth® (802.11b/g/n) Ralink 5390BC8 802.11b/g/n 1x1 WiFi and Bluetooth 3.0+HS Combo Adapter Ralink 5390GN 802.11b/g/n 1x1 WiFi Adapter Broadcom 4313GN 802.11b/g/n 1x1 WiFi and 2070 Bluetooth 2.1+EDR Combo Adapter
External media card	Multi-format Digital Media Slot; supports MultiMediaCard (MMC), Secure Digital (SD) Memory Card, Secure Digital High Capacity (SDHC) Memory Card, Secure Digital Extended Capacity (SDXC) Memory Card with support of UHS 104
Ports	<ul style="list-style-type: none"> 2048x1536 external resolution at 75 Hz (for Intel models)
Internal card expansion	One half-size Mini Card slot for WLAN Hot plug/unplug and auto detect for wide-aspect or standard-aspect video HDMI v1.4 supporting up to 1920 x 1200 at 60 Hz USB 3.0 (2)* NOTE: *Select models only. USB 2.0 (1) Dual digital microphones RJ-45 Ethernet Dolby home theater, HD audio Combo audio out—1 standalone headphone Smart-pin AC adapter
Keyboard/pointing devices	35.56-cm (14.0-inch) full-size keyboard Dura-coat island style keyboard


Category	Description
	TouchPad (enabled by default: taps, multi-touch gestures, 2-finger scrolling, and pinch zoom)
Power requirements	6-cell (52-Wh) polymer battery
	90-W AC adapter
Security	Security lock
Operating system	Preinstalled:
	Microsoft Windows® 7 Professional (32 and 64 bit)
	Microsoft Windows 7 Home Premium (32 and 64 bit)
	Microsoft Windows 7 Home Basic (32 and 64 bit)
Serviceability	End-user replaceable parts:
	AC adapter
	Battery (system)
	Hard drive
	Memory module
	Optical drive
	WLAN Module

2 External component identification

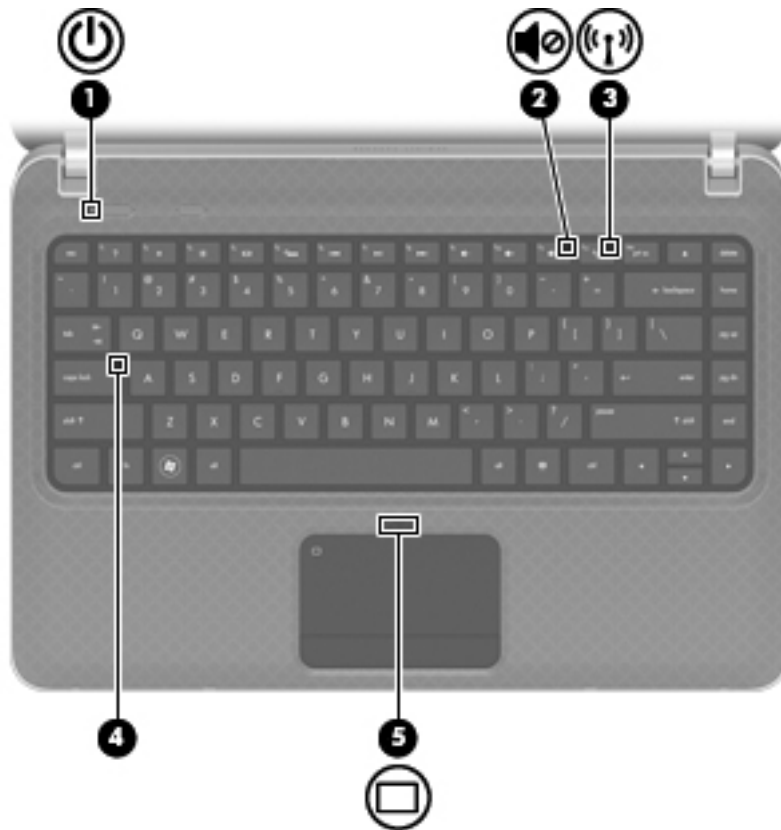
Top





TouchPad



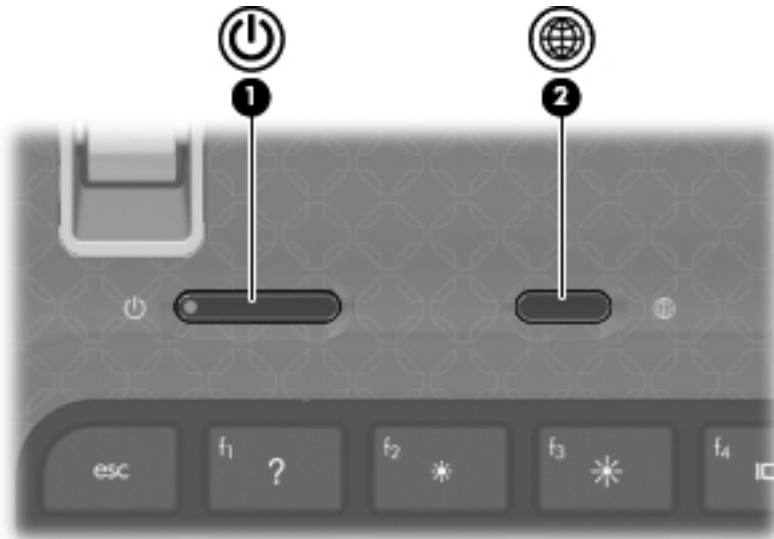
Component	Description
(1)  TouchPad light	<ul style="list-style-type: none">• Off: The TouchPad is on.• Amber: The TouchPad is off.
(2) TouchPad icon	Turns the TouchPad on and off. Quickly double-tap the TouchPad icon to turn the TouchPad on and off.
(3) TouchPad zone	Moves the pointer and selects or activates items on the screen.
(4) Left TouchPad button	Functions like the left button on an external mouse.
(5) Right TouchPad button	Functions like the right button on an external mouse.



Lights



Component	Description
(1) 	<p>Power light</p> <ul style="list-style-type: none"> White: Power is on. Blinking white: The computer is in the Sleep state. Off: The computer is off or in Hibernation.
(2) 	<p>Mute light</p> <ul style="list-style-type: none"> Amber: Computer sound is off. Off: Computer sound is on.
(3) 	<p>Wireless light</p> <ul style="list-style-type: none"> White: An integrated wireless device, such as a wireless local area network (WLAN) device and/or a Bluetooth® device, is on. Amber: All wireless devices are off.
(4)	<p>Caps lock light</p> <ul style="list-style-type: none"> White: Caps lock is on. Off: Caps lock is off.
(5) 	<p>TouchPad light</p> <ul style="list-style-type: none"> Amber: The TouchPad is off. Off: The TouchPad is on.

Buttons

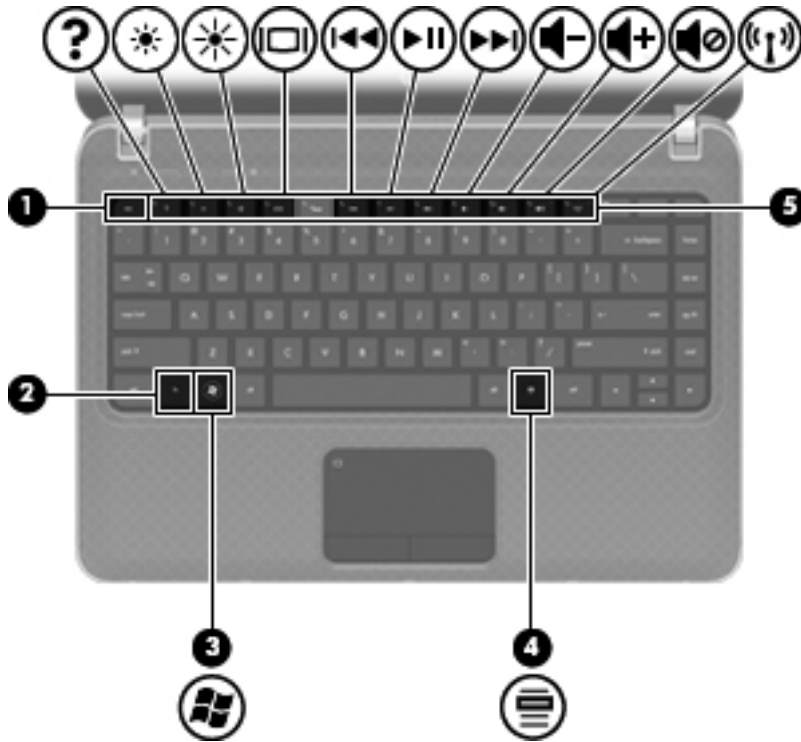




Component	Description
(1)  Power button	<ul style="list-style-type: none">• When the computer is off, press the button to turn on the computer.• When the computer is on, press the button briefly to initiate Sleep.• When the computer is in the Sleep state, press the button briefly to exit Sleep.• When the computer is in Hibernation, press the button briefly to exit Hibernation.
(2)  QuickWeb button	Press the button to launch the web browser.

If the computer has stopped responding and Windows® shutdown procedures are ineffective, press and hold the power button for at least 5 seconds to turn off the computer.

To learn more about your power settings, select **Start > Control Panel > System and Security > Power Options**, or refer to the *HP Notebook Reference Guide*.

Keys



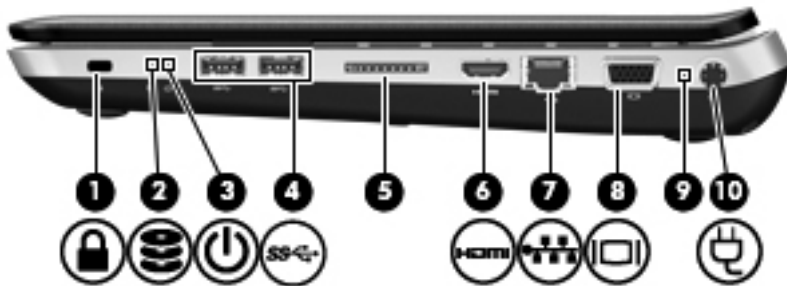
Component	Description
(1) <code>esc</code> key	Displays system information when pressed in combination with the <code>fn</code> key.
(2) <code>fn</code> key	Executes frequently used system functions when pressed in combination with a function key, the num lk key, or the <code>esc</code> key.
(3)  Windows logo key	Displays the Windows Start menu.
(4)  Windows applications key	Displays a shortcut menu for items beneath the pointer.
(5) Action keys	Execute frequently used system functions.





Front







Component	Description
(1) Speakers (2)	Produce sound.

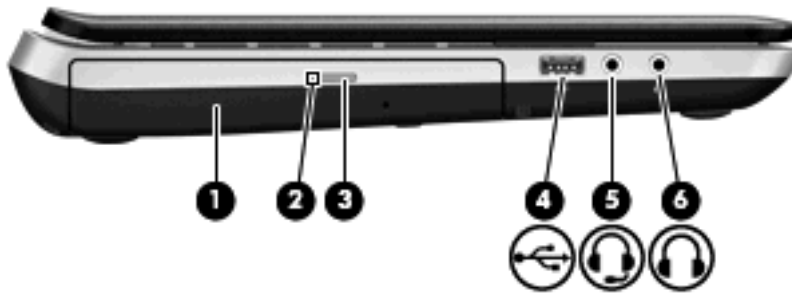
Right side






Component	Description
(1)  Security cable slot	Attaches an optional security cable to the computer. NOTE: The security cable is designed to act as a deterrent, but it may not prevent the computer from being mishandled or stolen.
(2)  Drive light	<ul style="list-style-type: none"> Blinking white: The hard drive is being accessed. Amber: HP ProtectSmart Hard Drive Protection has temporarily parked the hard drive. NOTE: For information on HP ProtectSmart Hard Drive Protection, refer to the <i>HP Notebook Reference Guide</i> .
(3)  Power light	<ul style="list-style-type: none"> White: The computer is on. Blinking white: The computer is in the Sleep state. Off: The computer is off or in Hibernation.
(4)  SuperSpeed USB ports (2)	Connect optional USB 3.0* devices and provides enhanced USB power performance. NOTE: *Select models only. NOTE: The SuperSpeed USB ports are also compatible with USB 1.0 and 2.0 devices.
(5) Digital media slot	Supports the following digital card formats: <ul style="list-style-type: none"> MultiMediaCard Secure Digital (SD) Card

Component		Description
(6)	 HDMI port	Connects an optional video or audio device, such as a high-definition television, or any compatible digital or audio component.
(7)	 RJ-45 (network) jack	Connects a network cable.
(8)	 External monitor port	Connects an external VGA monitor or projector.
(9)	Battery light	<ul style="list-style-type: none"> • White: The computer is connected to external power and the battery is fully charged. • Blinking white: The computer is in the Sleep state. • Amber: A battery is charging. • Blinking amber: The battery has reached a low battery level, or there is a battery error. When a battery reaches a critical battery level, the battery light begins blinking rapidly.
(10)	 Power connector	Connects an AC adapter

Left side



Component	Description
(1) Optical drive	Reads and writes (select models only) to an optical disc.
(2) Optical drive light	<ul style="list-style-type: none"> On: The optical drive is being accessed. Off: The optical drive is idle.
(3) Optical drive eject button	Opens the optical drive to insert or remove optical media.
(4)  USB port	Connects an optional USB device.
(5)  Audio-in (microphone) jack	<p>Connects optional powered stereo speakers, headphones, earbuds, a headset, or television audio. Also connects an optional headset microphone.</p> <p>WARNING! To reduce the risk of personal injury, adjust the volume before putting on headphones, earbuds, or a headset. For additional safety information, refer to the <i>Regulatory, Safety, and Environmental Notices</i>.</p> <p>NOTE: When a device is connected to the jack, the computer speakers are disabled.</p>
(6)  Audio-out (headphone) jack	<p>Produces sound when connected to optional powered stereo speakers, headphones, ear buds, a headset, or television audio.</p> <p>WARNING! To reduce the risk of personal injury, adjust the volume before putting on headphones, ear buds, or a headset. For additional safety information, refer to the <i>Regulatory, Safety, and Environmental Notices</i>.</p> <p>NOTE: When a device is connected to the headphone jack, the computer speakers are disabled.</p>

Rear



Component		Description
(1)	Display hinges	Allow the display to open and close.
(2)	Vent	Enables airflow to cool internal components.

NOTE: The computer fan starts up automatically to cool internal components and prevent overheating. It is normal for the internal fan to cycle on and off during routine operation.

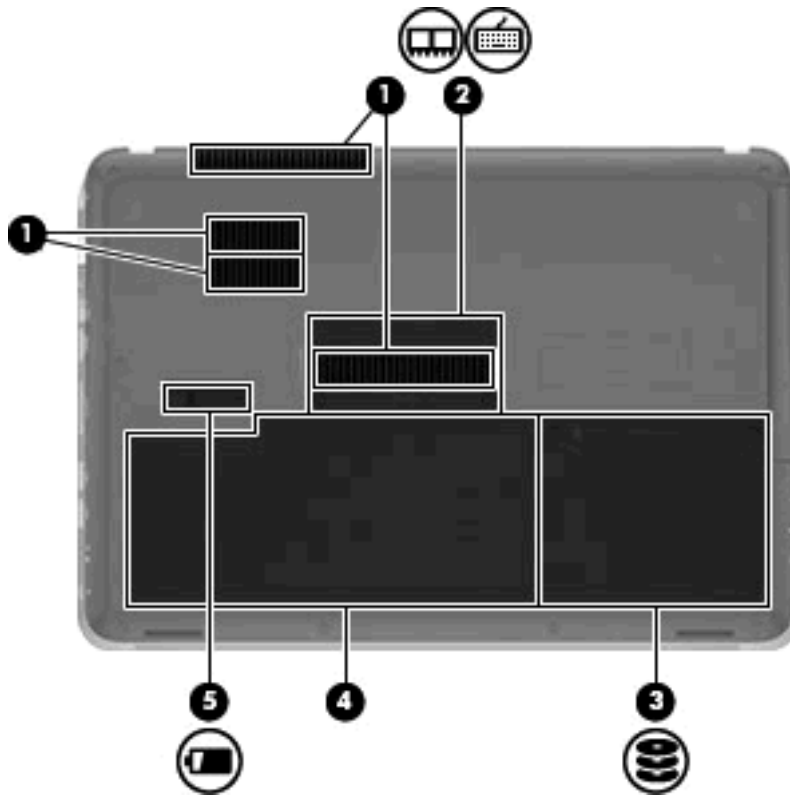
Display

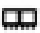




Component	Description
(1) WLAN antennas (2)*	Send and receive wireless signals to communicate with wireless local area networks (WLAN).
(2) Internal microphones (2)	Record sound.
(3) Webcam light	On: The webcam is in use.
(4) Webcam	Records video and captures still photographs. To use the webcam, select Start > All Programs > CyberLink YouCam > CyberLink YouCam

*The antennas are not visible from the outside of the computer. For optimal transmission, keep the areas immediately around the antennas free from obstructions. To see wireless regulatory notices, refer to the section of the *Regulatory, Safety, and Environmental Notices* that applies to your country or region. These notices are located in Help and Support.

Bottom

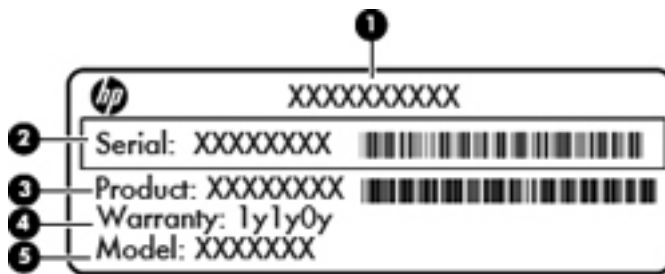


Component	Description
(1) Vents (3)	Enable airflow to cool internal components. NOTE: The computer fan starts up automatically to cool internal components and prevent overheating. It is normal for the internal fan to cycle on and off during routine operation.
(2)  Memory module compartment	Holds the memory module.
(3)  Hard drive bay	Holds the hard drive.
(4) Battery bay	Holds the battery.
(5)  Battery release latch	Releases the battery from the battery bay.

3 Illustrated parts catalog

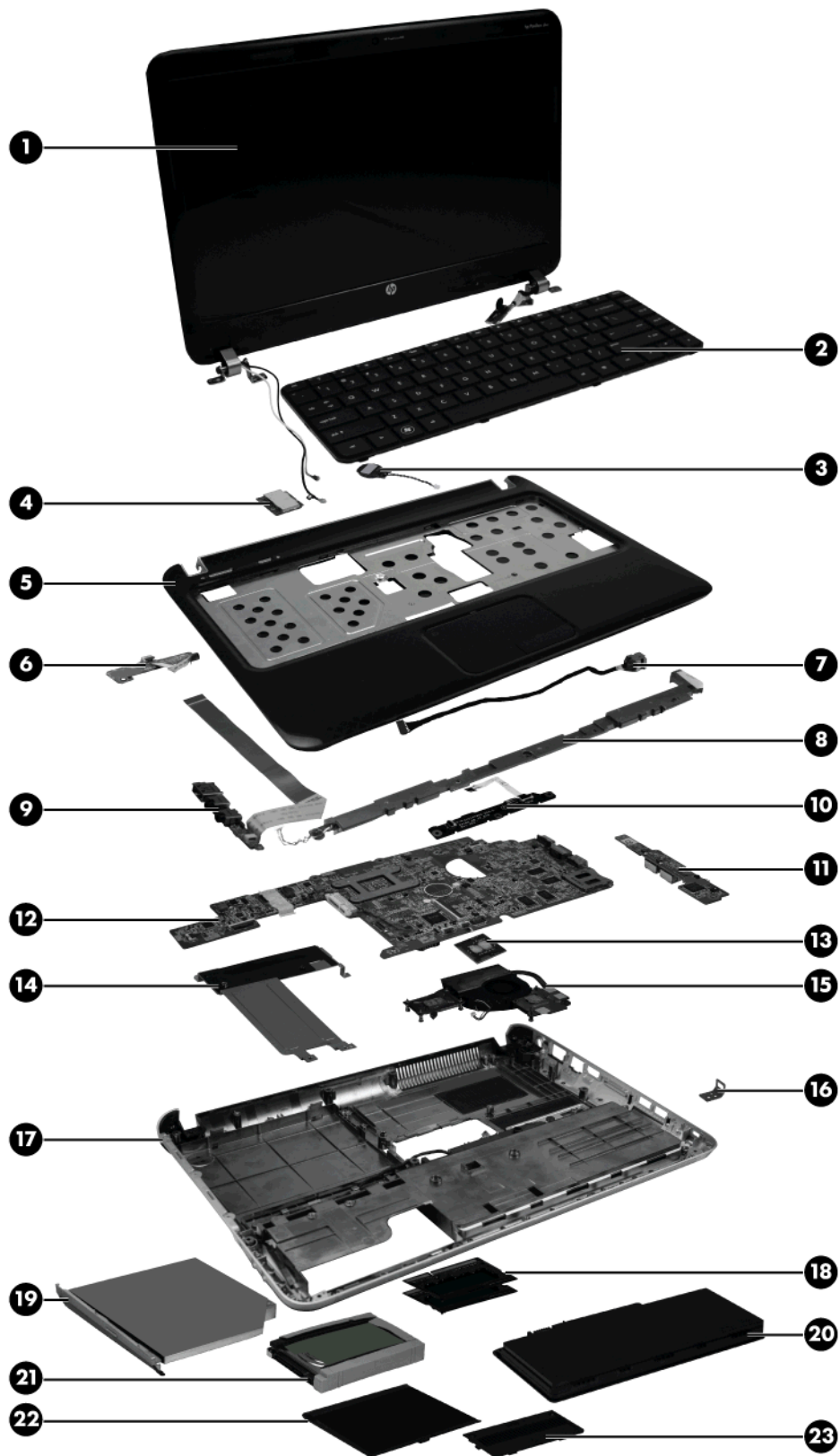
Serial number location

When ordering parts or requesting information, provide the computer serial number and model number located in the battery bay of the computer.



- Product name **(1)**. This is the product name affixed to the front of the computer.
- Serial number (s/n) **(2)**. This is an alphanumeric identifier that is unique to each product.
- Part number/Product number (p/n) **(3)**. This number provides specific information about the product's hardware components. The part number helps a service technician to determine what components and parts are needed.
- Warranty period **(4)**. This number describes the duration (in years) of the warranty period for the computer.
- Model description **(5)**. This is the alphanumeric identifier used to locate documents, drivers, and support for the computer.

Computer major components



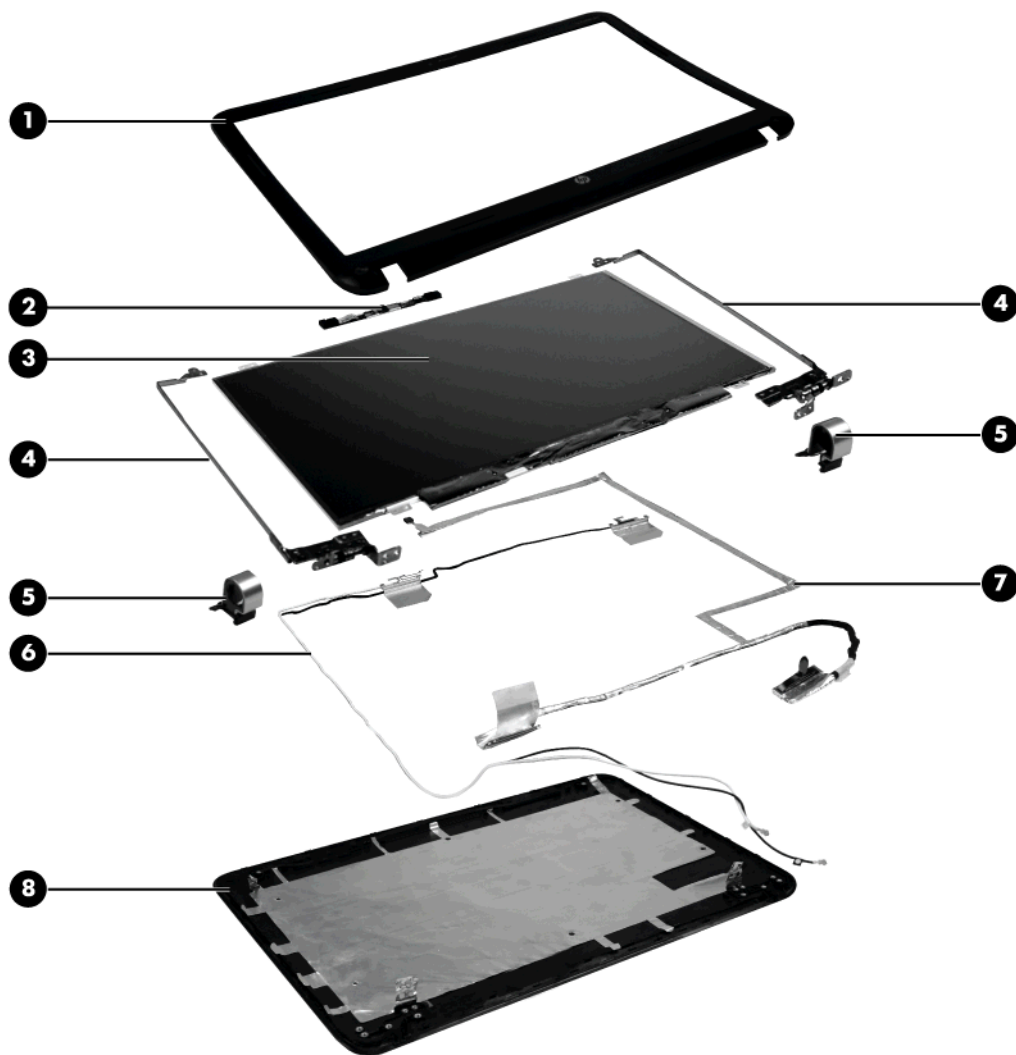
Item	Description	Spare part number
(1)	Display assembly 35.56-cm (14.0-in), HD, BrightView LED (includes display panel cable)	643127-001 659365
	NOTE: See Display assembly components on page 20 for display assembly internal component spare part information.	
(2)	Keyboard	
	For use in Japan	641761-291
	For use in South Korea	641761-AD1
	For use in Taiwan	641761-AB1
	For use in Thailand	641761-281
	For use in the United States	641761-001
(3)	RTC battery	640354-001
(4)	WLAN modules	
	Atheros 9285G 802.11b/g/n 1x1 WiFi Adapter	605560-005
	For use in Australia, Bangladesh, Bhutan, Brunei, Cambodia, People's Republic of China, East Timor, Hong Kong, India, Indonesia, Japan, South Korea, Malaysia, Maldives, Nauru, Nepal, New Zealand, Pakistan, Philippines, Singapore, Sri Lanka, Taiwan, Thailand, Tuvalu, and Vietnam	
	Intel Centrino Wireless-N 1000 802.11b/g/n 1x2	593530-001
	For use in Australia, Bangladesh, Bhutan, Brunei, Cambodia, People's Republic of China, East Timor, Hong Kong, India, Indonesia, Japan, South Korea, Malaysia, Maldives, Nauru, Nepal, New Zealand, Pakistan, Philippines, Singapore, Sri Lanka, Taiwan, Thailand, Tuvalu, and Vietnam	
	Intel Centrino Wireless-N 1030 + Bluetooth (802.11b/g/n)	631956-001
	Australia, Bangladesh, Bhutan, Brunei, Cambodia, People's Republic of China, East Timor, Hong Kong, India, Japan, South Korea, Maldives, Nauru, Nepal, New Zealand, Philippines, Singapore, Sri Lanka, Taiwan, Thailand, Tuvalu, and Vietnam	
	Ralink 5390GN 802.11b/g/n 1x1 WiFi Adapter	630703-001
	Australia, Bangladesh, Bhutan, Brunei, Cambodia, People's Republic of China, East Timor, Hong Kong, India, Indonesia, Japan, South Korea, Malaysia, Maldives, Nauru, Nepal, New Zealand, Pakistan, Philippines, Singapore, Sri Lanka, Taiwan, Thailand, Tuvalu, and Vietnam	
	Broadcom 4313GN 802.11b/g/n 1x1 WiFi and 2070 Bluetooth 2.1+EDR Combo Adapter (BT3.0+HS ready)	600370-001
	Australia, Bangladesh, Bhutan, Brunei, Cambodia, People's Republic of China, East Timor, Hong Kong, India, Indonesia, Japan, South Korea, Malaysia, Maldives, Nauru, Nepal, New Zealand, Pakistan, Philippines, Singapore, Sri Lanka, Taiwan, Thailand, Tuvalu, and Vietnam	
	Ralink 5390BC8 802.11b/g/n 1x1 WiFi and Bluetooth 3.0+HS Combo Adapter	630705-001
	Australia, Bangladesh, Bhutan, Brunei, Cambodia, People's Republic of China, East Timor, Hong Kong, India, Indonesia, Japan, South Korea, Malaysia, Maldives, Nauru, Nepal, New Zealand, Pakistan, Philippines, Singapore, Sri Lanka, Taiwan, Thailand, Tuvalu, and Vietnam	

Item	Description	Spare part number
(5)	Top cover (includes TouchPad)	640335-001
		657605-001
(6)	Power button board (The power button board cable is included in the Cable Kit, spare part number 640363-001.)	640338-001
(7)	Power connector NOTE: The power connector and cable are included in the Cable Kit, spare part number 640363-001.	
(8)	Speaker assembly (includes cable)	640359-001
(9)	Audio/USB 2.0 board (The audio board cable is included in the Cable Kit, spare part number 640363-001.)	641756-001
(10)	TouchPad button board (The TouchPad button board cable is included in the Cable Kit, spare part number 640363-001.)	640337-001
(11)	USB 3.0 board* NOTE: *Select models only.	650704-001
(12)	System board (includes replacement thermal material)	640334-001
		641760-001
		657602-001
		657603-001
(13)	Processor (includes replacement thermal material)	
	Intel Core i7 processor	
	Intel Core i7-2620M, 2.7GHz	631252-001
	Intel Core i5 processor	
	Intel Core i5-480M, 2.66 GHz (turbo up to 2.93 GHz), 3MB L3 cache, Dual 35W	634693-001
	Intel Core i5-2520M, 2.5GHz	631253-001
	Intel Core i5-2540M, 2.6GHz	631255-001
	Intel Core i5-2410M, 2.3GHz, 3MB, L3 cache, Dual 35W	638039-001
	Intel Core i5-2430M, 2.4GHz	653341-001
	Intel Core i3 processors	
	Intel Core i3-380M, 2.53 GHz, 3MB L3 cache, Dual 35W	625823-001
	Intel Core i3-390M, 2.66 GHz, 3MB L3 cache, Dual 35W	634692-001
	Intel Core i3-2310M, 2.1 GHz, 3MB L3 cache, Dual 35W	638037-001
	Intel Core i3-2330M, 2.2GHz	653339-001
	Intel Core i3-2350M, 2.3GHz	653340-001
	Intel Pentium processors	
	Intel Pentium P6300, 2.26 GHz, 3 MB L3 cache, Dual 35 W	635500-001
	Intel Pentium P6200, 2.13GHz, 3 MB L3 cache, Dual 35W	625831-001

Item	Description	Spare part number
	Intel Pentium B940, 2GHz	653337-001
	Intel Pentium B950, 2.1GHz	653338-001
(14)	Optical drive bracket	
	NOTE: The optical drive bracket is included in the optical drive kits, spare part numbers 641762-001 (for use with the DVD±RW SuperMulti Double-Layer Drive with LightScribe*) and 641763-001 (for use with the Blu-ray ROM with LightScribe* DVD±R/RW SuperMulti DL Drive).	
	NOTE: *Select models only.	
(15)	Fan/heat sink assembly (includes replacement thermal material)	644515-001
(16)	Security Lock/Bracket Hardware Kit	641758-001
(17)	Base enclosure (includes hard drive cable and optical drive cable)	640342-001
(18)	Memory modules	
	2 GB PC3-10600	581096-001
	4 GB PC3-10600 1333 MHz shared	621569-001
	1 GB PC3-10600 1333 MHz shared	639736-001
(19)	Optical drive	
	DVD±RW SuperMulti Double-Layer Drive with LightScribe*	641762-001
	Blu-ray ROM with LightScribe* DVD±R/RW SuperMulti DL Drive	641763-001
	NOTE: *Select models only.	
(20)	Battery	
	6-cell, 52-WH (2.58-Ah) Li-ion	644184-001
(21)	Hard drive (includes hard drive bracket)	
	NOTE: The hard drive cable is included in the Cable Kit, spare part number 640363-001.	
	2.5-in, 750 GB, 7200 RPM	633252-001
	2.5-in, 750 GB, 5400 RPM	634250-001
	2.5-in, 640 GB, 7200 RPM	621046-001
	2.5-in, 640 GB, 5400 RPM	603785-001
	2.5-in, 500 GB, 7200RPM	634925-001
	2.5-in 320 GB, 7200 RPM	641672-001
	2.5-in, 320 GB, 5400 RPM	622643-001
	2.5-in, 250 GB, 7200 RPM	635225-001
	12.5-mm 1 TB, 5400 RPM	638974-001

Item	Description	Spare part number
(22)	Hard drive cover	
	NOTE: The hard drive cover is included in the Plastics Kit, spare part number 640353-001.	
(23)	Memory module compartment cover	
	NOTE: The memory module compartment cover is included in the Plastics Kit, spare part number 640353-001.	

Display assembly components



Item	Description	Spare part number
(1)	Display bezel	640343-001
(2)	Webcam module	640336-001
(3)	Display panel , BrightView LED, high-definition, 35.56 cm (14.0-in)	643128-001

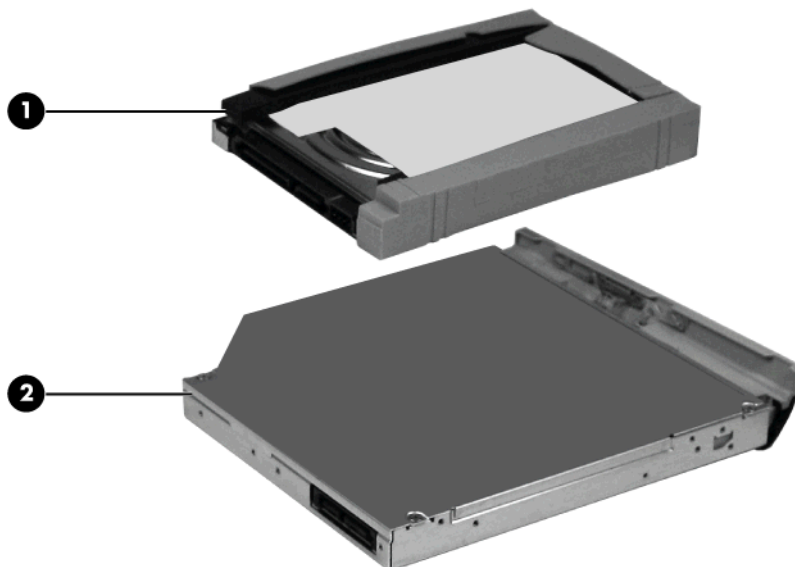
Item	Description	Spare part number
(4)	Display/Hinge Bracket Kit (includes left and right brackets and hinges)	640346-001
(5)	Display hinge cover	640347-001
(6)	Antenna Kit (includes WLAN main and auxiliary cables)	640340-001
(7)	Display cable	640344-001
(8)	Display back cover	640341-001
		657604-001
	Display Screw Kit (not illustrated; includes screws and screw covers)	640357-001
	Display Rubber Kit (not illustrated; includes LCD rubber bumpers and screw)	641757-001

Plastics Kit



Item	Description	Spare part number
	Plastics Kit	640353-001
(1)	Hard drive cover	
(2)	Memory module compartment cover	

Mass storage devices



Item	Description	Spare part number
(1)	Hard drive	
	NOTE: The hard drive brackets are included in the Hardware Drive Kit, spare part number 643712-001.	
	NOTE: The hard drive cable is included in the Cable Kit, spare part number 640363-001.	
	2.5-in, 750 GB, 7200 RPM	633252-001
	2.5-in, 750 GB, 5400 RPM	634250-001
	2.5-in, 640 GB, 7200 RPM	621046-001
	2.5-in, 640 GB, 5400 RPM	603785-001
	2.5-in, 500 GB, 7200 RPM	634925-001
	2.5-in, 320 GB, 7200 RPM	641672-001
	2.5-in, 320 GB, 5400 RPM	622643-001
	2.5-in, 250 GB, 7200 RPM	635225-001
	12.7-mm, 1 TB, 7200 RPM	638974-001
	Hard Drive Hardware Kit (not pictured)	643712-001
(2)	Optical drive (12.7 mm, SATA, fixed)	
	DVD±RW SuperMulti Double-Layer Drive with LightScribe*	641762-001
	Blu-ray ROM with LightScribe* DVD±R/RW SuperMulti DL Drive	641763-001
	NOTE: *Select models only.	

Miscellaneous parts

Description	Spare part number
AC adapters	
90-W Smart AC adapter with power factor correction (PFC), RC/V 3W	609940-001
90-W Smart AC adapter with PFC, RC/V EM 3W	609947-001
TouchPad LED board	640339-001
Power cord, AC, 3 wire, black, 1.83-m	
For use in Australia	490371-011
For use in the People's Republic of China	490371-AA1
For use in Indonesia	490371-021
For use in India	490371-D61
For use in Japan	490371-291
For use in South Korea	490371-AD1
For use in Taiwan	490371-AB1
For use in Thailand	490371-201
For use in the United Kingdom and Singapore	490371-031
Thermal Pad Kit	640362-001
Rubber Feet Kit	650045-001
Screw Kit	640356-001
<ul style="list-style-type: none">• Phillips M2.5x2.0 screws• Phillips M2.5x8.0 screws• Phillips M2.0x3.0 screws• Phillips M2.5x5.0 screws• Phillips M3.0x3.0 screws	

Sequential part number listing

Spare part number	Description
490371-011	Power cord, AC, 3-pin, black, 1.83-m, for use in Australia
490371-021	Power cord, AC, 3-pin, black, 1.83-m, for use in Indonesia
490371-031	Power cord, AC, 3-pin, black, 1.83-m, for use in Singapore
490371-201	Power cord, AC, 3-pin, black, 1.83-m, for use in Thailand
490371-291	Power cord, AC, 3-pin, black, 1.83-m, for use in Japan
490371-AA1	Power cord, AC, 3-pin, black, 1.83-m, for use in the People's Republic of China
490371-AB1	Power cord, AC, 3-pin, black, 1.83-m, for use in Taiwan
490371-AD1	Power cord, AC, 3-pin, black, 1.83-m, for use in South Korea
490371-D61	Power cord, AC, 3-pin, black, 1.83-m, for use in India
581096-001	Memory module, 2GB PC3-10600
593530-001	Intel Centrino Wireless-N 1000 802.11b/g/n 1x2 WLAN module for use in Australia, Bangladesh, Bhutan, Brunei, Cambodia, People's Republic of China, East Timor, Hong Kong, India, Indonesia, Japan, South Korea, Malaysia, Maldives, Nauru, Nepal, New Zealand, Pakistan, Philippines, Singapore, Sri Lanka, Taiwan, Thailand, Tuvalu, and Vietnam
600370-001	Broadcom 4313GN 802.11b/g/n 1x1 WiFi and 2070 Bluetooth 2.1+EDR Combo Adapter (BT3.0+HS ready) for use in Australia, Bangladesh, Bhutan, Brunei, Cambodia, People's Republic of China, East Timor, Hong Kong, India, Indonesia, Japan, South Korea, Malaysia, Maldives, Nauru, Nepal, New Zealand, Pakistan, Philippines, Singapore, Sri Lanka, Taiwan, Thailand, Tuvalu, and Vietnam
603785-001	Hard drive, 2.5-in, 640 GB, 5400 RPM
605560-005	Atheros 9285G 802.11b/g/n 1x1 WiFi Adapter for use in Australia, Bangladesh, Bhutan, Brunei, Cambodia, People's Republic of China, East Timor, Hong Kong, India, Indonesia, Japan, South Korea, Malaysia, Maldives, Nauru, Nepal, New Zealand, Pakistan, Philippines, Singapore, Sri Lanka, Taiwan, Thailand, Tuvalu, and Vietnam
609940-001	90-W Smart AC adapter with power factor correction (PFC), RC/V 3W
609947-001	90-W Smart AC adapter with power factor correction (PFC), RC/V EM 3W
621046-001	Hard drive, 2.5-in, 640 GB, 7200 RPM
621569-001	Memory module, 4 GB PC3-10600, 1333Mhz shared
622643-001	Hard drive, 2.5-in, 320 GB, 5400 RPM
625823-001	Intel Core i3-380M processor, 2.53 GHz, 3MB L3 cache, Dual 35W (includes replacement thermal material)
625831-001	Intel Pentium P6200 processor, 2.13GHz, 3 MB L3 cache, Dual 35W (includes replacement thermal material)
630703-001	Ralink 5390GN 802.11b/g/n 1x1 WiFi Adapter for use in Australia, Bangladesh, Bhutan, Brunei, Cambodia, People's Republic of China, East Timor, Hong Kong, India, Indonesia, Japan, South Korea, Malaysia, Maldives, Nauru, Nepal, New Zealand, Pakistan, Philippines, Singapore, Sri Lanka, Taiwan, Thailand, Tuvalu, and Vietnam
630705-001	Ralink 5390BC8 802.11b/g/n 1x1 WiFi and Bluetooth 3.0+HS Combo Adapter for use in Australia, Bangladesh, Bhutan, Brunei, Cambodia, People's Republic of China, East Timor, Hong Kong, India, Indonesia, Japan, South Korea, Malaysia, Maldives, Nauru, Nepal, New Zealand, Pakistan, Philippines, Singapore, Sri Lanka, Taiwan, Thailand, Tuvalu, and Vietnam

Spare part number	Description
631252-001	Intel Core i7-2620M, 2.7GHz
631253-001	Intel Core i5-2520M, 2.5GHz
631255-001	Intel Core i5-2540M, 2.6GHz
631956-001	Intel Centrino Wireless-N 1030 + Bluetooth (802.11b/g/n) WLAN module for use in Australia, Bangladesh, Bhutan, Brunei, Cambodia, People's Republic of China, East Timor, Hong Kong, India, Japan, South Korea, Maldives, Nauru, Nepal, New Zealand, Philippines, Singapore, Sri Lanka, Taiwan, Thailand, Tuvalu, and Vietnam
633252-001	Hard drive, 2.5-in, 750 GB, 7200 RPM
634250-001	Hard drive, 2.5-in, 750 GB, 5400 RPM
634692-001	Intel Core i3-390M processor, 2.66 GHz, 3MB L3 cache, Dual 35W (includes replacement thermal material)
634693-001	Intel Core i5-480M processor, 2.66 GHz (turbo up to 2.93 GHz), 3MB L3 cache, Dual 35W (includes replacement thermal material)
634925-001	Hard drive, 2.5-in, 500 GB, 7200RPM
635225-001	Hard drive, 2.5-in, 250 GB, 7200 RPM
635500-001	Intel Pentium P6300 processor, 2.26 GHz, 3 MB L3 cache, Dual 35 W (includes replacement thermal material)
638037-001	Intel Core i3-2310M, 2.1 GHz, 3MB, L3 cache, Dual 35W
638039-001	Intel Core i5-2410M, 2.3GHz, 3MB L3 cache, Dual 35W
638974-001	Hard drive, 12.5-mm 1 TB, 5400 RPM
639736-001	Memory module, 1 GB, PC3-10600, 1333 MHz shared
640335-001	Top cover (includes TouchPad)
640334-001	System board
640336-001	Webcam module
640337-001	TouchPad button board (The TouchPad button board cable is included in the Cable Kit, spare part number 640363-001.)
640338-001	Power button board (The power button board cable is included in the Cable Kit, spare part number 640363-001.)
640339-001	TouchPad LED board
640340-001	Antenna Kit
640341-001	Display enclosure
640342-001	Base enclosure (includes hard drive cable and optical drive cable)
640343-001	LCD bezel
640344-001	Display Cable Kit
640346-001	Display Hinge/Bracket Kit
640347-001	Display hinge cover
640353-001	Plastics Kit
640354-001	RTC battery

Spare part number	Description
640356-001	Screw Kit
640357-001	Display Screw Kit
640359-001	Speaker assembly (includes cable)
640362-001	Thermal Pad Kit
640363-001	Cable Kit (includes cables for the power connector, hard drive, optical drive, audio board, TouchPad button board, and power button board)
641672-001	Hard drive, 2.5-in 320 GB, 7200 RPM
641756-001	Audio/USB 2.0 board
641757-001	Display Rubber Kit (includes LCD rubber bumpers and screw)
641758-001	Security Lock/Bracket Hardware Kit
641760-001	System board (includes replacement thermal material)
641761-001	Keyboard for use in the United States
641761-281	Keyboard for use in Thailand
641761-291	Keyboard for use in Japan
641761-AB1	Keyboard for use in Taiwan
641761-AD1	Keyboard for use in South Korea
64176-D61	Keyboard for use in India.
641762-001	DVD±RW SuperMulti Double-Layer Drive with LightScribe*
641763-001	Blu-ray ROM with LightScribe* DVD±R/RW SuperMulti DL Drive
NOTE: *Select models only.	
643127-001	Display assembly 35.56-cm (14.0-in), WXGA, HD, BrightView (includes display panel cable)
643128-001	Display panel, Brightview, LED high-definition, 35.56-cm (14.0-in) (includes display panel cable)
643712-001	Hard Drive Hardware Kit
644184-001	Battery, 6 cell 52 Wh (2.58 Ah) Li-on
644515-001	Fan/heat sink assembly (includes replacement thermal material)
650045-001	Rubber Feet Kit
653337-001	Intel Pentium-B940, 2GHz
653338-001	Intel Pentium-B950, 2.1GHz
653339-001	Intel Core i3-2330M, 2.2 GHz
653340-001	Intel Core i3-2350M, 2.3GHz
653341-001	Intel Core i5-, 2.4GHz
657602-001	System board
657603-001	System board
657605-001	Top cover (includes TouchPad)

Spare part number	Description
659942-001	SPS-ODD WEIGHT SAVER
	USB 3.0 board*

NOTE: *Select models only.

4 Removal and replacement procedures

Preliminary replacement requirements


Tools required

You will need the following tools to complete the removal and replacement procedures:

- Flat-bladed screwdriver
- Magnetic screwdriver
- Phillips P0 and P1 screwdrivers

Service considerations

The following sections include some of the considerations that you must keep in mind during disassembly and assembly procedures.

 **NOTE:** As you remove each subassembly from the computer, place the subassembly (and all accompanying screws) away from the work area to prevent damage.

Plastic parts

Using excessive force during disassembly and reassembly can damage plastic parts. Use care when handling the plastic parts. Apply pressure only at the points designated in the maintenance instructions.

Cables and connectors

⚠ CAUTION: When servicing the computer, be sure that cables are placed in their proper locations during the reassembly process. Improper cable placement can damage the computer.

Cables must be handled with extreme care to avoid damage. Apply only the tension required to unseat or seat the cables during removal and insertion. Handle cables by the connector whenever possible. In all cases, avoid bending, twisting, or tearing cables. Be sure that cables are routed in such a way that they cannot be caught or snagged by parts being removed or replaced. Handle flex cables with extreme care; these cables tear easily.

Drive handling

⚠ CAUTION: Drives are fragile components that must be handled with care. To prevent damage to the computer, damage to a drive, or loss of information, observe these precautions:

Before removing or inserting a hard drive, shut down the computer. If you are unsure whether the computer is off or in Hibernation, turn the computer on, and then shut it down through the operating system.

Before handling a drive, be sure that you are discharged of static electricity. While handling a drive, avoid touching the connector.

Before removing a diskette drive or optical drive, be sure that a diskette or disc is not in the drive and be sure that the optical drive tray is closed.

Handle drives on surfaces covered with at least one inch of shock-proof foam.

Avoid dropping drives from any height onto any surface.

After removing a hard drive, an optical drive, or a diskette drive, place it in a static-proof bag.

Avoid exposing a hard drive to products that have magnetic fields, such as monitors or speakers.

Avoid exposing a drive to temperature extremes or liquids.

If a drive must be mailed, place the drive in a bubble pack mailer or other suitable form of protective packaging and label the package "FRAGILE."

Grounding guidelines

Electrostatic discharge damage

Electronic components are sensitive to electrostatic discharge (ESD). Circuitry design and structure determine the degree of sensitivity. Networks built into many integrated circuits provide some protection, but in many cases, ESD contains enough power to alter device parameters or melt silicon junctions.

A discharge of static electricity from a finger or other conductor can destroy static-sensitive devices or microcircuitry. Even if the spark is neither felt nor heard, damage may have occurred.

An electronic device exposed to ESD may not be affected at all and can work perfectly throughout a normal cycle. Or the device may function normally for a while, then degrade in the internal layers, reducing its life expectancy.

CAUTION: To prevent damage to the computer when you are removing or installing internal components, observe these precautions:

Keep components in their electrostatic-safe containers until you are ready to install them.

Use nonmagnetic tools.

Before touching an electronic component, discharge static electricity by using the guidelines described in this section.

Avoid touching pins, leads, and circuitry. Handle electronic components as little as possible.

If you remove a component, place it in an electrostatic-safe container.

The following table shows how humidity affects the electrostatic voltage levels generated by different activities.

CAUTION: A product can be degraded by as little as 700 V.

Event	Relative humidity		
	10%	40%	55%
Walking across carpet	35,000 V	15,000 V	7,500 V
Walking across vinyl floor	12,000 V	5,000 V	3,000 V
Motions of bench worker	6,000 V	800 V	400 V
Removing DIPS from plastic tube	2,000 V	700 V	400 V
Removing DIPS from vinyl tray	11,500 V	4,000 V	2,000 V
Removing DIPS from Styrofoam	14,500 V	5,000 V	3,500 V
Removing bubble pack from PCB	26,500 V	20,000 V	7,000 V
Packing PCBs in foam-lined box	21,000 V	11,000 V	5,000 V

Packaging and transporting guidelines

Follow these grounding guidelines when packaging and transporting equipment:

- To avoid hand contact, transport products in static-safe tubes, bags, or boxes.
- Protect ESD-sensitive parts and assemblies with conductive or approved containers or packaging.
- Keep ESD-sensitive parts in their containers until the parts arrive at static-free workstations.
- Place items on a grounded surface before removing items from their containers.
- Always be properly grounded when touching a component or assembly.
- Store reusable ESD-sensitive parts from assemblies in protective packaging or nonconductive foam.
- Use transporters and conveyors made of antistatic belts and roller bushings. Be sure that mechanized equipment used for moving materials is wired to ground and that proper materials are selected to avoid static charging. When grounding is not possible, use an ionizer to dissipate electric charges.

Workstation guidelines

Follow these grounding workstation guidelines:

- Cover the workstation with approved static-shielding material.
- Use a wrist strap connected to a properly grounded work surface and use properly grounded tools and equipment.
- Use conductive field service tools, such as cutters, screwdrivers, and vacuums.
- When fixtures must directly contact dissipative surfaces, use fixtures made only of static-safe materials.
- Keep the work area free of nonconductive materials, such as ordinary plastic assembly aids and Styrofoam.
- Handle ESD-sensitive components, parts, and assemblies by the case or PCM laminate. Handle these items only at static-free workstations.
- Avoid contact with pins, leads, or circuitry.
- Turn off power and input signals before inserting or removing connectors or test equipment.

Equipment guidelines

Grounding equipment must include either a wrist strap or a foot strap at a grounded workstation.

- When seated, wear a wrist strap connected to a grounded system. Wrist straps are flexible straps with a minimum of one megohm $\pm 10\%$ resistance in the ground cords. To provide proper ground, wear a strap snugly against the skin at all times. On grounded mats with banana-plug connectors, use alligator clips to connect a wrist strap.
- When standing, use foot straps and a grounded floor mat. Foot straps (heel, toe, or boot straps) can be used at standing workstations and are compatible with most types of shoes or boots. On conductive floors or dissipative floor mats, use foot straps on both feet with a minimum of one megohm resistance between the operator and ground. To be effective, the conductive strips must be worn in contact with the skin.

The following grounding equipment is recommended to prevent electrostatic damage:

- Antistatic tape
- Antistatic smocks, aprons, and sleeve protectors
- Conductive bins and other assembly or soldering aids
- Nonconductive foam
- Conductive tabletop workstations with ground cords of one megohm resistance
- Static-dissipative tables or floor mats with hard ties to the ground
- Field service kits
- Static awareness labels
- Material-handling packages
- Nonconductive plastic bags, tubes, or boxes
- Metal tote boxes
- Electrostatic voltage levels and protective materials

The following table lists the shielding protection provided by antistatic bags and floor mats.

Material	Use	Voltage protection level
Antistatic plastic	Bags	1,500 V
Carbon-loaded plastic	Floor mats	7,500 V
Metallized laminate	Floor mats	5,000 V

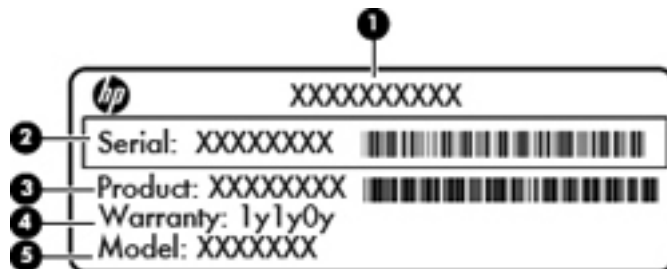
Component replacement procedures

This chapter provides removal and replacement procedures.

There are as many as 77 screws, in 14 different sizes, that must be removed, replaced, or loosened when servicing the computer. Make special note of each screw size and location during removal and replacement.

Serial number

The serial number label, located in the battery bay of the computer, provides important information that you may need when contacting technical support.

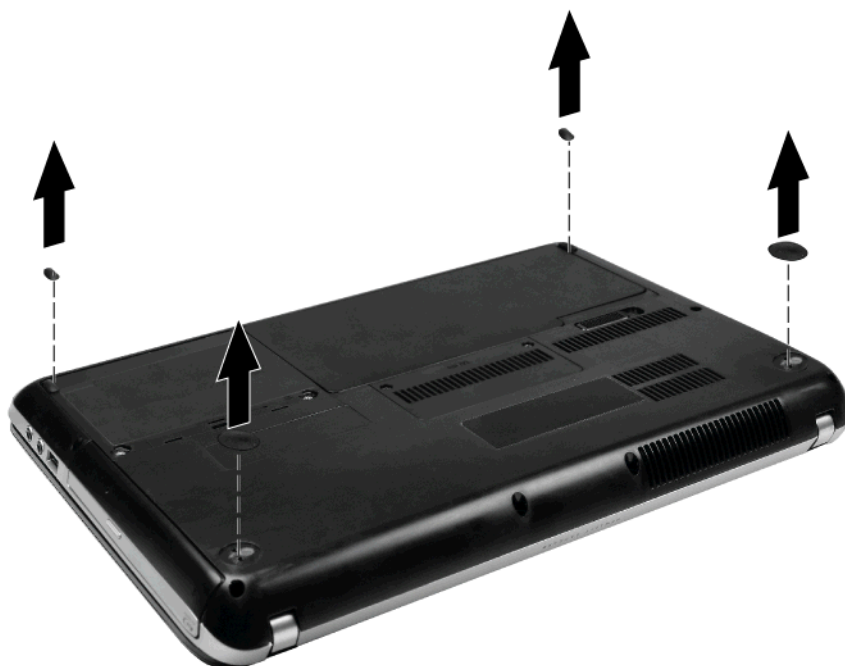


- Product name **(1)**. This is the product name affixed to the front of the computer.
- Serial number (s/n) **(2)**. This is an alphanumeric identifier that is unique to each product.
- Part number/Product number (p/n) **(3)**. This number provides specific information about the product's hardware components. The part number helps a service technician to determine what components and parts are needed.
- Warranty period **(4)**. This number describes the duration (in years) of the warranty period for the computer.
- Model description **(5)**. This is the alphanumeric identifier used to locate documents, drivers, and support for the computer.

Computer feet

Description	Spare part number
Rubber Feet Kit	650045-001

The computer feet are adhesive-backed rubber pads. The feet attach to the base enclosure in the locations illustrated below.



Battery

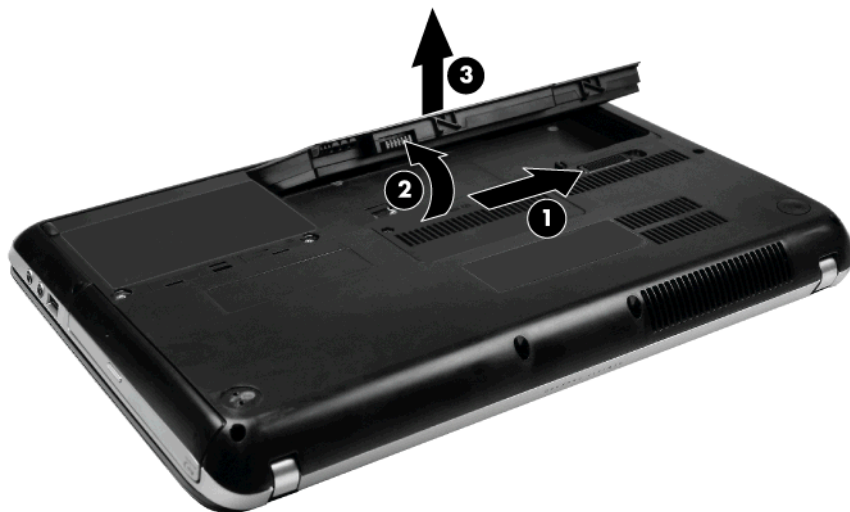
Description	Spare part number
6-cell, 52-WH (2.58-Ah) Li-ion	644184-001

Before disassembling the computer, follow these steps:

1. Shut down the computer. If you are unsure whether the computer is off or in Hibernation, turn the computer on, and then shut it down through the operating system.
2. Disconnect all external devices connected to the computer.
3. Disconnect the power from the computer by first unplugging the power cord from the AC outlet and then unplugging the AC adapter from the computer.

Remove the battery:

1. Turn the computer upside down on a flat surface.
2. Slide the battery release latch **(1)** to release the battery.
3. Pivot the battery **(2)** upward and lift it out of the computer **(3)**.



To insert the battery, insert the rear edge of the battery into the battery bay and pivot the front edge downward until the battery is seated. The battery release latch automatically locks the battery into place.

Memory module

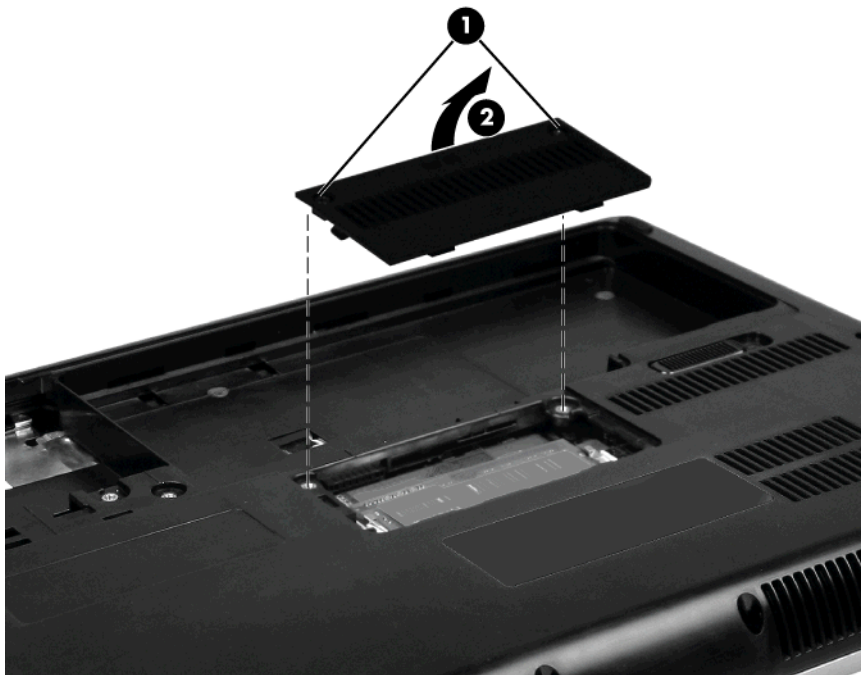
Description	Spare part number
4096-MB, PC3 10600, 1333-MHz shared	621569-001
2048-MB, PC3 10600	581096-001
1024-MB, PC3 10600, 1333-MHz shared	639736-001

Before removing the memory module, follow these steps:

1. Shut down the computer. If you are unsure whether the computer is off or in Hibernation, turn the computer on, and then shut it down through the operating system.
2. Disconnect all external devices connected to the computer.
3. Disconnect the power from the computer by first unplugging the power cord from the AC outlet and then unplugging the AC adapter from the computer.
4. Remove the battery (see [Battery on page 36](#)).


Remove the memory module:

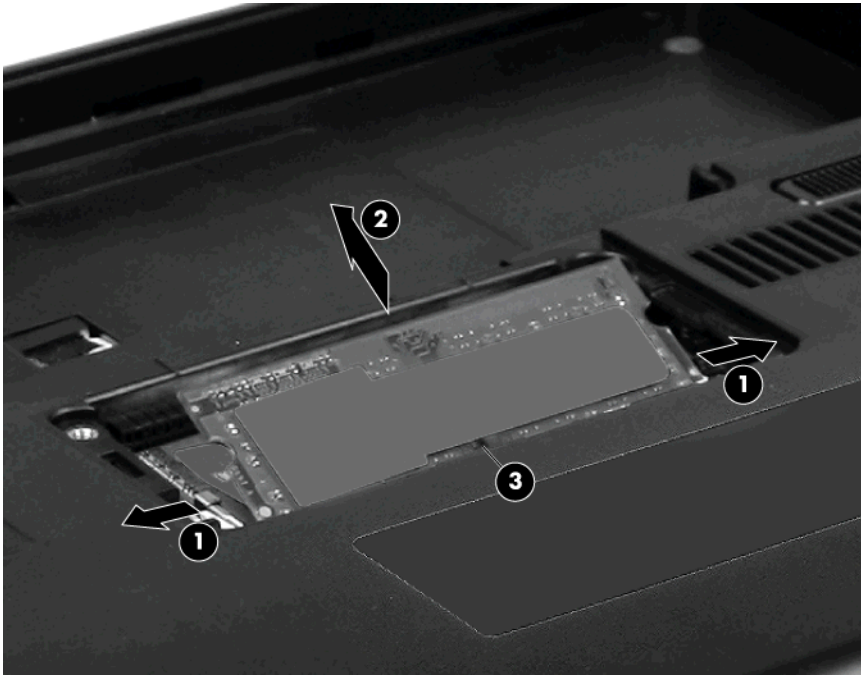
1. Turn the computer upside down with the front toward you.
2. Loosen the two Phillips 4.0x2.5 captive screws **(1)** that secure the memory module compartment cover to the computer.
3. Remove the cover **(2)**. The memory module compartment cover is included in the Plastics Kit, spare part number 640353-001.



4. Spread the retaining tabs **(1)** on each side of the memory module slot to release the memory module. (The edge of the module opposite the slot rises away from the computer.)

5. Remove the module (2) by pulling it away from the slot at an angle.

 **NOTE:** Memory modules are designed with a notch (3) to prevent incorrect insertion into the memory module slot.



Reverse this procedure to install a memory module.

Hard drive



NOTE: The hard drive kits include a hard drive bracket.

NOTE: The hard drive cable is included in the Cable Kit, spare part number 640363-001.

Description	Spare part number
2.5-in, 750 GB, 7200 RPM	633252-001
2.5-in, 750 GB, 5400 RPM	634250-001
2.5-in, 640 GB, 7200 RPM	621046-001
2.5-in, 640 GB, 5400 RPM	603785-001
2.5-in, 500 GB, 7200 RPM	634925-001
2.5-in, 320 GB, 7200 RPM	641672-001
2.5-in, 320 GB 5400 RPM	622643-001
2.5-in, 250 GB 7200 RPM	635225-001
12.7-mm, 1 TB, 5400 RPM	638974-001

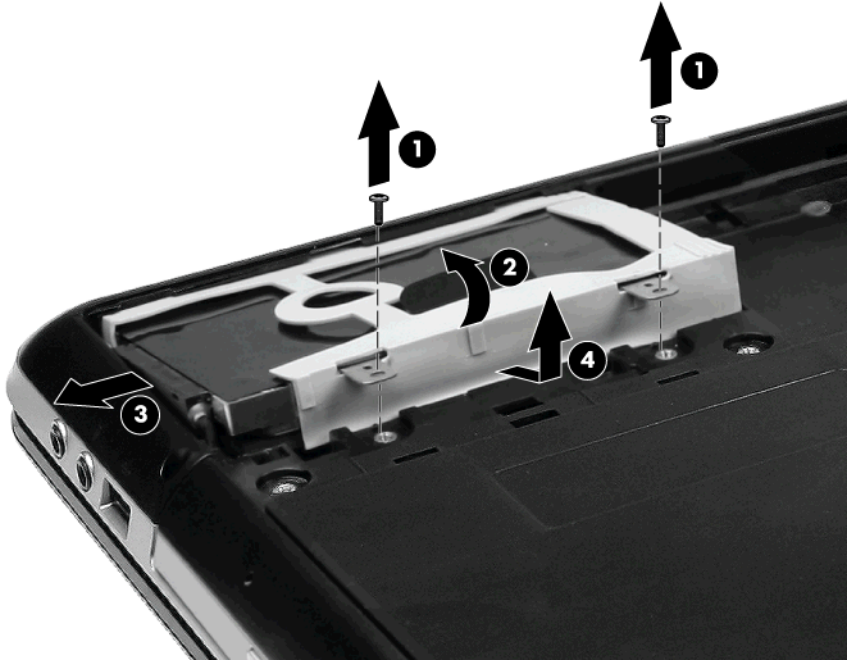
Before removing the hard drive, follow these steps:

1. Shut down the computer. If you are unsure whether the computer is off or in Hibernation, turn the computer on, and then shut it down through the operating system.
2. Disconnect all external devices connected to the computer.
3. Disconnect the power from the computer by first unplugging the power cord from the AC outlet and then unplugging the AC adapter from the computer.
4. Remove the battery (see [Battery on page 36](#)).

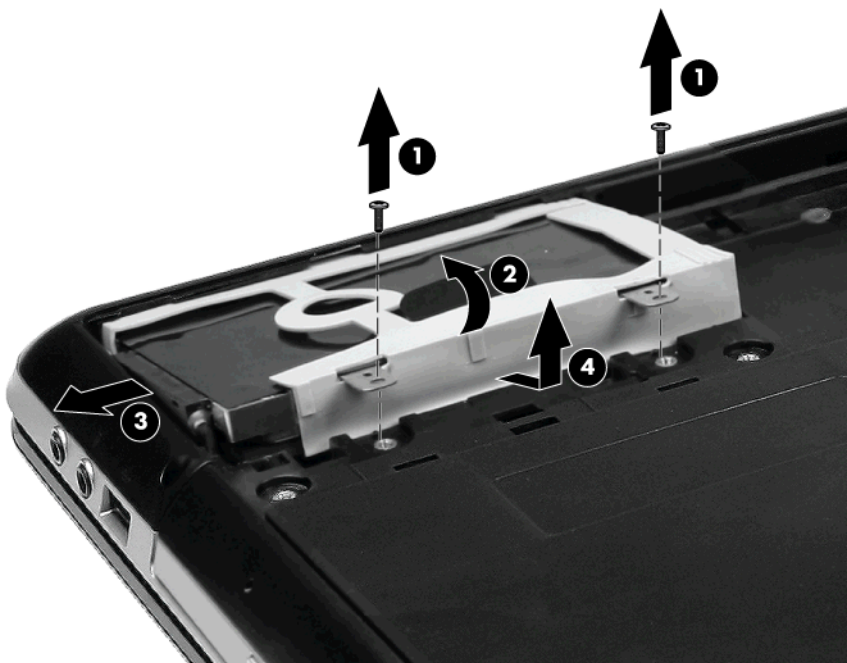
Remove the hard drive:

1. Position the computer with the front toward you.
2. Loosen the two captive Phillips 4.0x2.5 screws **(1)** that secure the hard drive cover to the computer.

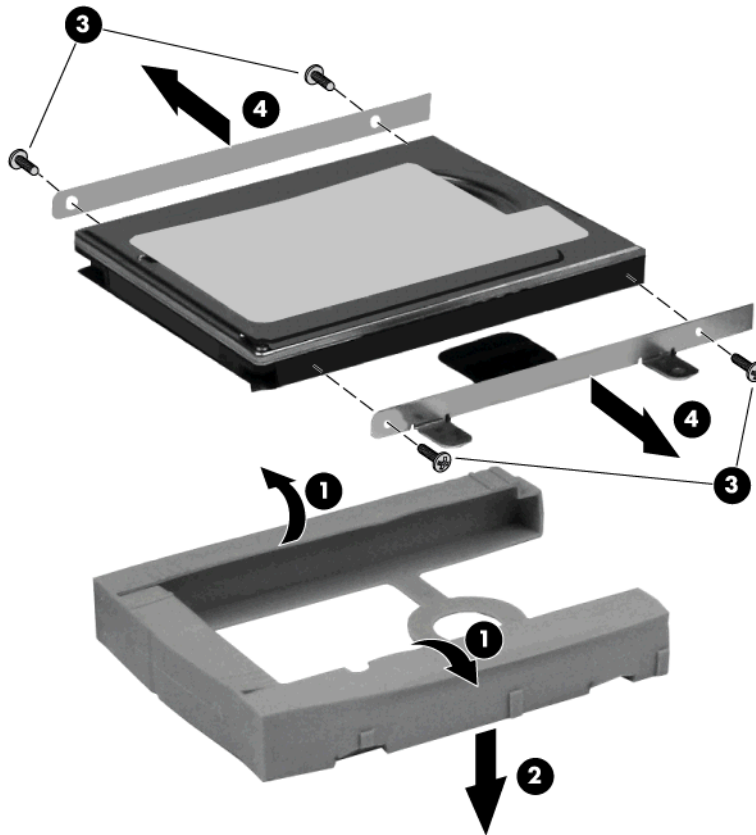
3. Remove the cover (2). The hard drive cover is included in the Plastics Kit, spare part number 640353-001.



4. Remove the two Phillips 4.5 x 2.5 screws (1) that secure the hard drive to the computer.
5. Use the Mylar tab (2) to lift the front edge of the drive up and out of the hard drive bay.
6. With the drive propped up out of the bay, disconnect the hard drive adapter cable (3) from the hard drive.
7. Remove the hard drive (4).



8. If it is necessary to replace the hard drive bracket, flex the rubber cover (1), and then remove it from the hard drive (2).
9. Remove the two Phillips 2.5 x 3.0 screws (3) that secure the hard drive bracket to the hard drive and remove the hard drive brackets (4).



Reverse this procedure to reassemble and install the hard drive.

Optical drive

Description	Spare part number
DVD±RW SuperMulti Double-Layer Drive with LightScribe*	641762-001
Blu-ray ROM with LightScribe* DVD±R/RW SuperMulti DL Drive	641763-001
SPS-ODD WEIGHT SAVER	659942-001

NOTE: *Select models only.

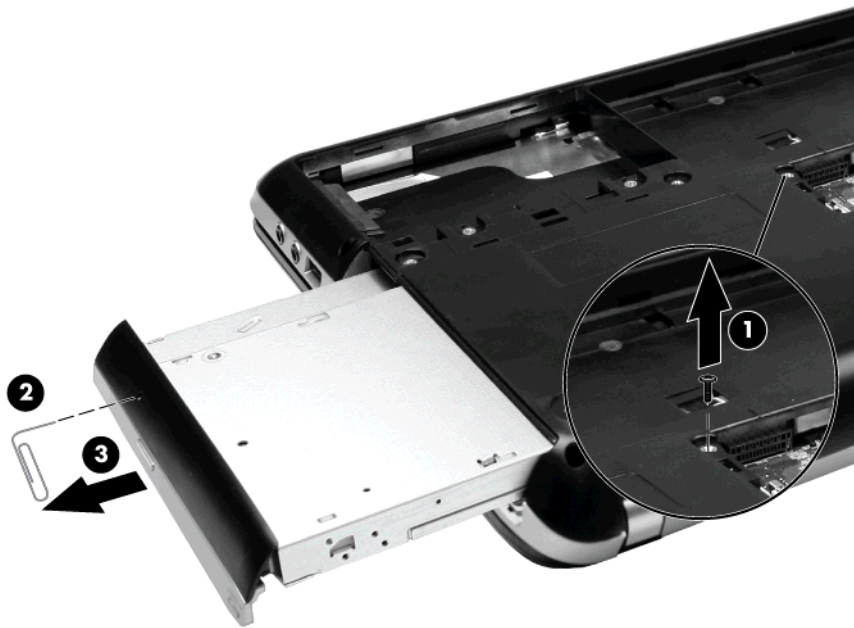
Before removing the optical drive, follow these steps:

1. Shut down the computer. If you are unsure whether the computer is off or in Hibernation, turn the computer on, and then shut it down through the operating system.
2. Disconnect all external devices connected to the computer.
3. Disconnect the power from the computer by first unplugging the power cord from the AC outlet and then unplugging the AC adapter from the computer.
4. Remove the battery (see [Battery on page 36](#)).
5. Remove the memory module compartment cover (see [Memory module on page 37](#)).

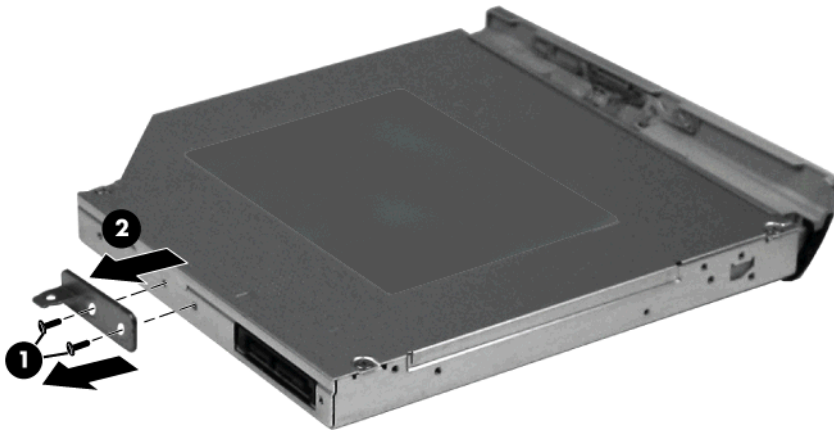
Remove the optical drive:

1. Position the computer upside down, with the front toward you.
2. Remove the Phillips 4.0x2.5 screw **(1)** that secures the optical drive to the computer.
3. Insert the end of a paper clip into the release access hole **(2)** in the optical drive bezel to release the optical drive.

4. Remove the optical drive (3).



5. If it is necessary to replace the optical drive bracket, position the optical drive with the optical drive bracket toward you.
6. Remove the two Phillips 2.5×2.0 screws (1) that secure the optical drive bracket to the optical drive.
7. Remove the optical drive bracket (2).



Reverse this procedure to reassemble and install the optical drive.

Keyboard

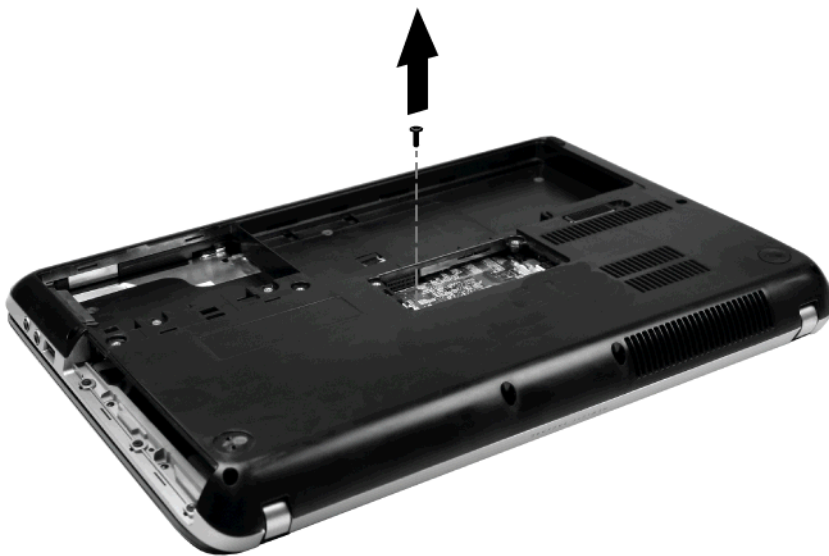
Description	Spare part number
Keyboard for use in Japan	641761-291
Keyboard for use in South Korea	641761-AD1
Keyboard for use in India	64176-D61
Keyboard for use in Taiwan	641761-AB1
Keyboard for use in Thailand	641761-281
Keyboard for use in the United States	641761-001

Before removing the keyboard, follow these steps:

1. Shut down the computer. If you are unsure whether the computer is off or in Hibernation, turn the computer on, and then shut it down through the operating system.
2. Disconnect all external devices connected to the computer.
3. Disconnect the power from the computer by first unplugging the power cord from the AC outlet and then unplugging the AC adapter from the computer.
4. Remove the battery (see [Battery on page 36](#)).
5. Remove the memory module compartment cover (see [Memory module on page 37](#)).

Remove the keyboard:

1. Position the computer upside down, with the front toward you.
2. Remove the Phillips 7.5×2.5 screw that secures the keyboard to the computer.



3. Position the computer right-side up, with the front toward you.
4. Open the computer as far as possible.

5. Release the top edge of the keyboard by lifting it up to disengage the keyboard from the tabs on the top cover **(1)** and tilt the keyboard forward onto the palm rest.
6. Release the zero insertion force (ZIF) connector **(2)** to which the keyboard cable is attached and disconnect the keyboard cable **(3)** from the system board. Remove the keyboard **(4)**.



Reverse this procedure to install the keyboard.

WLAN module

Description	Spare part number
Atheros 9285G 802.11b/g/n 1x1 WiFi Adapter For use in Australia, Bangladesh, Bhutan, Brunei, Cambodia, People's Republic of China, East Timor, Hong Kong, India, Indonesia, Japan, South Korea, Malaysia, Maldives, Nauru, Nepal, New Zealand, Pakistan, Philippines, Singapore, Sri Lanka, Taiwan, Thailand, Tuvalu, and Vietnam	605560-005
Intel Centrino Wireless-N 1000 802.11b/g/n 1x2 For use in Australia, Bangladesh, Bhutan, Brunei, Cambodia, People's Republic of China, East Timor, Hong Kong, India, Indonesia, Japan, South Korea, Malaysia, Maldives, Nauru, Nepal, New Zealand, Pakistan, Philippines, Singapore, Sri Lanka, Taiwan, Thailand, Tuvalu, and Vietnam	593530-001
Ralink 5390GN 802.11b/g/n 1x1 WiFi Adapter For use in Australia, Bangladesh, Bhutan, Brunei, Cambodia, People's Republic of China, East Timor, Hong Kong, India, Indonesia, Japan, South Korea, Malaysia, Maldives, Nauru, Nepal, New Zealand, Pakistan, Philippines, Singapore, Sri Lanka, Taiwan, Thailand, Tuvalu, and Vietnam	630703-001
Ralink 5390BC8 802.11b/g/n 1x1 WiFi and Bluetooth 3.0+HS Combo Adapter For use in Australia, Bangladesh, Bhutan, Brunei, Cambodia, People's Republic of China, East Timor, Hong Kong, India, Indonesia, Japan, South Korea, Malaysia, Maldives, Nauru, Nepal, New Zealand, Pakistan, Philippines, Singapore, Sri Lanka, Taiwan, Thailand, Tuvalu, and Vietnam	630705-001
Broadcom 4313GN 802.11b/g/n 1x1 WiFi and 2070 Bluetooth 2.1+EDR Combo Adapter (BT3.0+HS ready) For use in Australia, Bangladesh, Bhutan, Brunei, Cambodia, People's Republic of China, East Timor, Hong Kong, India, Indonesia, Japan, South Korea, Malaysia, Maldives, Nauru, Nepal, New Zealand, Pakistan, Philippines, Singapore, Sri Lanka, Taiwan, Thailand, Tuvalu, and Vietnam	600370-001
Intel Centrino Wireless-N 1030 + Bluetooth (802.11b/g/n) WLAN module For use in Australia, Bangladesh, Bhutan, Brunei, Cambodia, People's Republic of China, East Timor, Hong Kong, India, Japan, South Korea, Maldives, Nauru, Nepal, New Zealand, Philippines, Singapore, Sri Lanka, Taiwan, Thailand, Tuvalu, and Vietnam	631956-001

Before removing the WLAN module, follow these steps:

1. Shut down the computer. If you are unsure whether the computer is off or in Hibernation, turn the computer on, and then shut it down through the operating system.
2. Disconnect all external devices connected to the computer.
3. Disconnect the power from the computer by first unplugging the power cord from the AC outlet and then unplugging the AC adapter from the computer.
4. Remove the battery (see [Battery on page 36](#)).
5. Remove the memory module (see [Memory module on page 37](#)).
6. Remove the keyboard (see [Keyboard on page 44](#)).

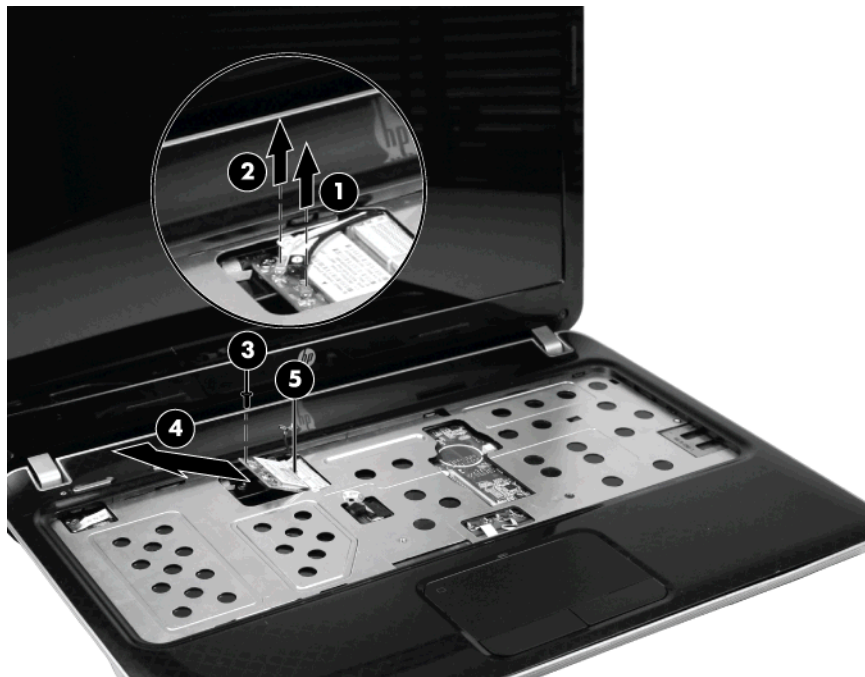
Remove the WLAN module:

1. Position the computer right-side up, with the front toward you.
2. Disconnect the main **(1)** and auxiliary **(2)** antenna cables from the WLAN module.

3. Remove the Phillips 3.0x2.5 screw **(3)** that secures the WLAN module to the computer. (The edge of the module opposite the slot rises away from the computer.)
4. Remove the WLAN module **(4)** by pulling it away from the slot at an angle.

⚠ CAUTION: To prevent an unresponsive system, replace the wireless module only with a wireless module authorized for use in the computer by the governmental agency that regulates wireless devices in your country or region. If you replace the module and then receive a warning message, remove the module to restore computer functionality, and then contact technical support through Help and Support.

📝 NOTE: WLAN modules are designed with a notch **(5)** to prevent incorrect insertion into the WLAN module slot.



Reverse this procedure to install a WLAN module.

RTC battery

Description	Spare part number
RTC battery	640354-001

Before removing the RTC battery, follow these steps:

1. Shut down the computer. If you are unsure whether the computer is off or in Hibernation, turn the computer on, and then shut it down through the operating system.
2. Disconnect all external devices connected to the computer.
3. Disconnect the power from the computer by first unplugging the power cord from the AC outlet and then unplugging the AC adapter from the computer.
4. Remove the battery (see [Battery on page 36](#)).
5. Remove the memory module compartment cover (see [Memory module on page 37](#)).
6. Remove the keyboard (see [Keyboard on page 44](#)).

Remove the RTC battery:

1. Disconnect the RTC battery from the system board (1).
2. Remove the RTC battery (2).



Reverse this procedure to install the RTC battery.

Top cover

Description	Spare part number
Top cover (includes TouchPad)	640335-001

Before removing the top cover, follow these steps:

1. Shut down the computer. If you are unsure whether the computer is off or in Hibernation, turn the computer on, and then shut it down through the operating system.
2. Disconnect all external devices connected to the computer.
3. Disconnect the power from the computer by first unplugging the power cord from the AC outlet and then unplugging the AC adapter from the computer.
4. Remove the following components:
 - a. Battery (see [Battery on page 36](#))
 - b. Hard drive (see [Hard drive on page 39](#))
 - c. Memory module (see [Memory module on page 37](#))
 - d. Optical drive (see [Optical drive on page 42](#))
 - e. Keyboard (see [Keyboard on page 44](#))

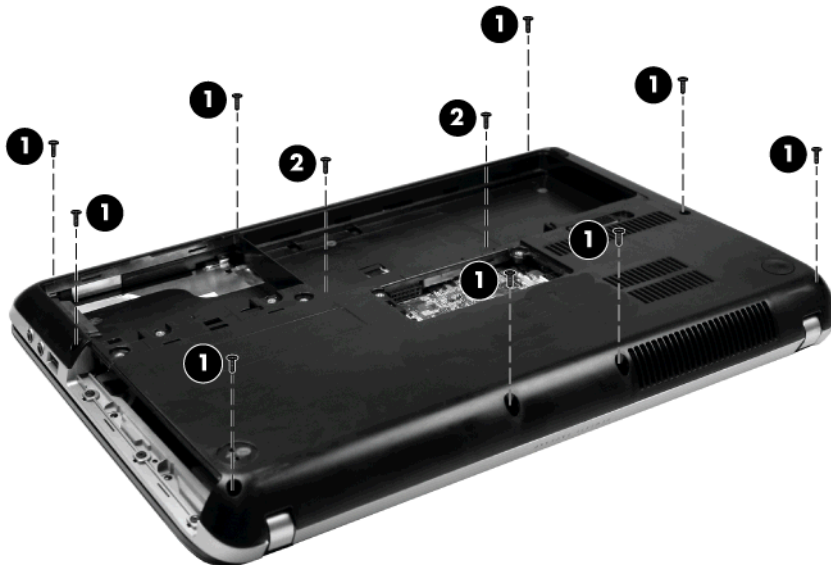
Remove the top cover:

1. Position the computer right-side up, with the front toward you.
2. Open the computer as far as possible.

3. Release the ZIF connectors (1), and then disconnect the power button cable (2), the TouchPad LED cable (3), and the TouchPad cable (4) from the system board.

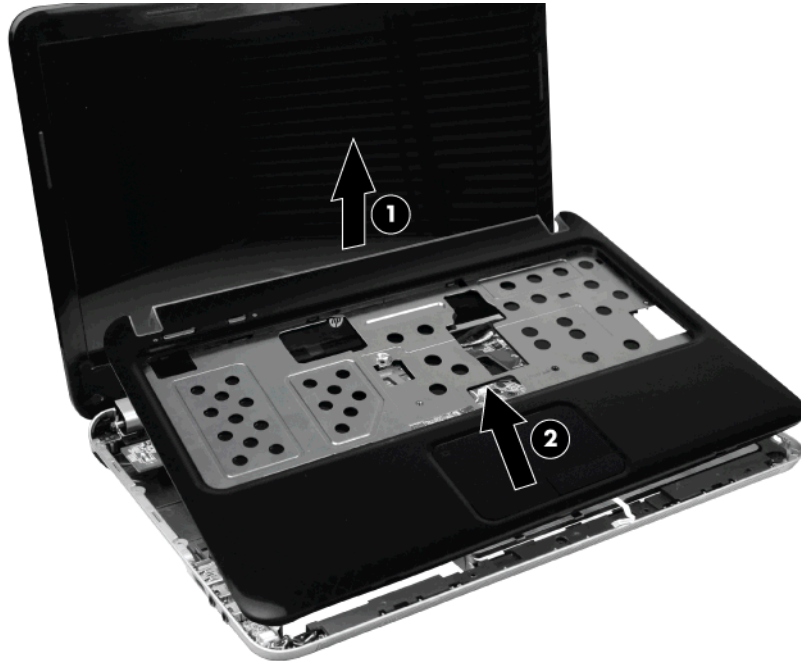


4. Position the computer upside down, with the front toward you.
5. Remove the nine Phillips 7.5x2.5 screws (1) around the base enclosure edges and the two Phillips 4.0x2.5 screws (2) inside the battery bay that secure the top cover to the base enclosure.



6. Position the computer right-side up, with the front toward you.
7. Open the computer as far as possible.

- Lift the rear edge of the top cover (1) and remove it from the base enclosure (2).



Reverse this procedure to install the top cover.

Power button board

Description	Spare part number
Power button board	640338-001

NOTE: The power button board cable is included in the Cable Kit, spare part number 640363-001.

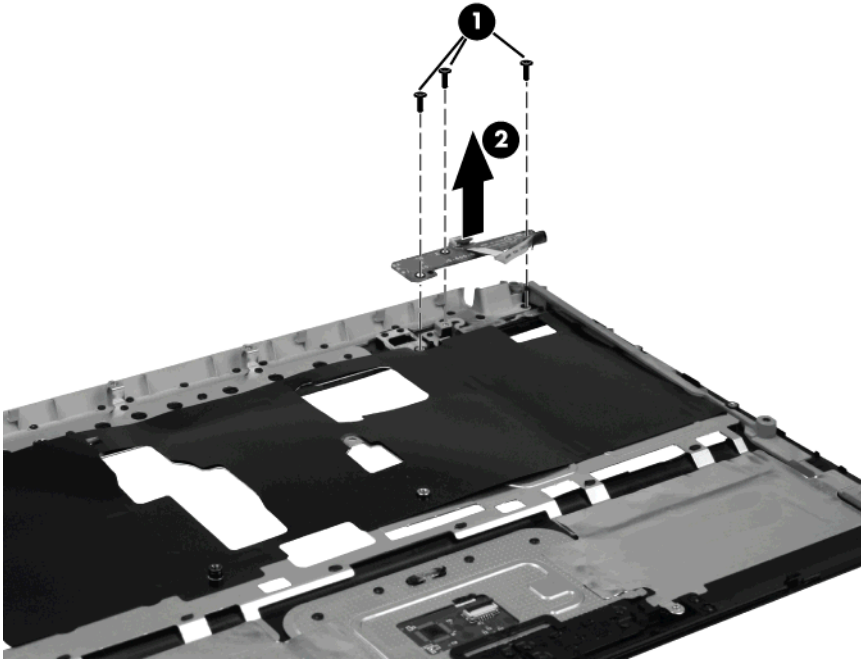
Before removing the power button board, follow these steps:

- Shut down the computer. If you are unsure whether the computer is off or in Hibernation, turn the computer on, and then shut it down through the operating system.
- Disconnect all external devices connected to the computer.
- Disconnect the power from the computer by first unplugging the power cord from the AC outlet and then unplugging the AC adapter from the computer.
- Remove the battery (see [Battery on page 36](#)).
- Remove the following components:
 - Hard drive (see [Hard drive on page 39](#))
 - Memory module (see [Memory module on page 37](#))
 - Optical drive (see [Optical drive on page 42](#))

- d. Keyboard (see [Keyboard on page 44](#))
- e. Top cover (see [Top cover on page 49](#))

Remove the power button board:

1. Position the top cover upside down, with the rear edge toward you.
2. Remove the three Phillips 2.5x2.0 screws (1) that secure the power button board to the top cover.
3. Remove the power button board (2).



Reverse this procedure to install the power button board.

TouchPad button board

Description	Spare part number
TouchPad button board	640337-001

NOTE: The TouchPad button board cable is included in the Cable Kit, spare part number 640363-001.

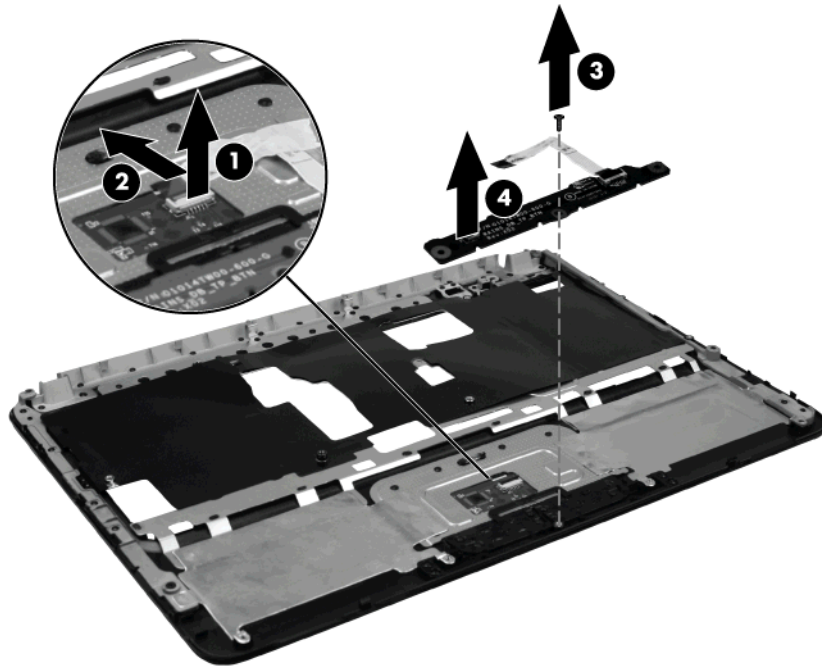
Before removing the TouchPad button board, follow these steps:

1. Shut down the computer. If you are unsure whether the computer is off or in Hibernation, turn the computer on, and then shut it down through the operating system.
2. Disconnect all external devices connected to the computer.
3. Disconnect the power from the computer by first unplugging the power cord from the AC outlet and then unplugging the AC adapter from the computer.
4. Remove the battery (see [Battery on page 36](#)).
5. Remove the following components:
 - a. Hard drive (see [Hard drive on page 39](#))
 - b. Optical drive (see [Optical drive on page 42](#))
 - c. Keyboard (see [Keyboard on page 44](#))
 - d. Top cover (see [Top cover on page 49](#))

Remove the TouchPad button board:

1. Position the top cover upside down, with the front toward you.
2. Release the ZIF connector **(1)** to which the TouchPad button board cable is connected and then disconnect the cable **(2)** from the TouchPad.
3. Remove the Phillips 2.0x2.0 screw **(3)** which secures the TouchPad button board to the top cover.

4. Remove the TouchPad button board (4).



Reverse this procedure to install the TouchPad button board.

Display assembly

Description	Spare part number
35.56 cm (14.0-in) LED high-definition BrightView display assembly (includes display panel cable)	643127-001

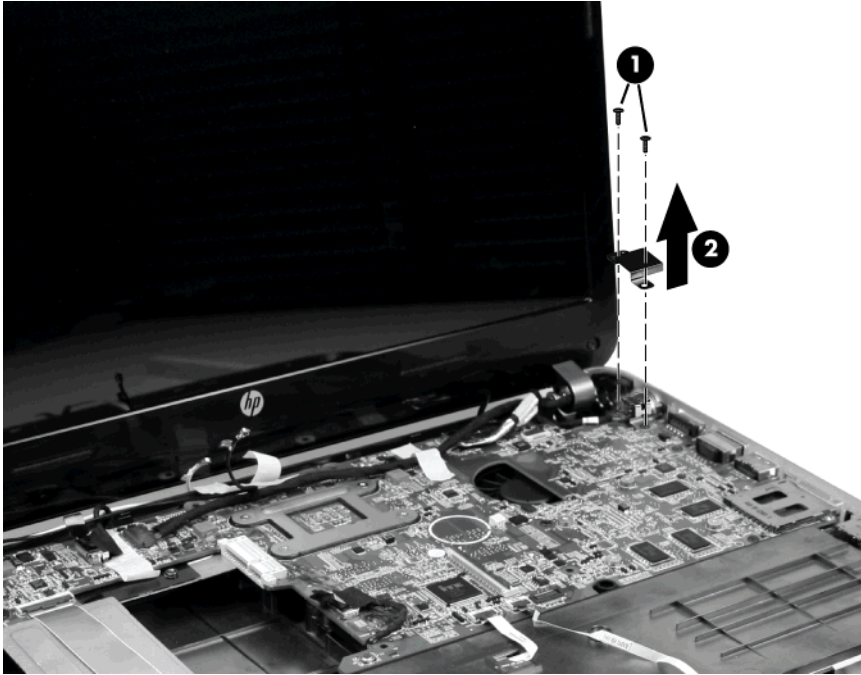
Before removing the display assembly, follow these steps:

1. Shut down the computer. If you are unsure whether the computer is off or in Hibernation, turn the computer on, and then shut it down through the operating system.
2. Disconnect all external devices connected to the computer.
3. Disconnect the power from the computer by first unplugging the power cord from the AC outlet and then unplugging the AC adapter from the computer.
4. Remove the battery (see [Battery on page 36](#)).
5. Remove the following components:
 - a. Memory module (see [Memory module on page 37](#))
 - b. WLAN module (see [WLAN module on page 46](#))
 - c. Optical drive (see [Optical drive on page 42](#))
 - d. Keyboard (see [Keyboard on page 44](#))
 - e. Top cover (see [Top cover on page 49](#))

Remove the display assembly:

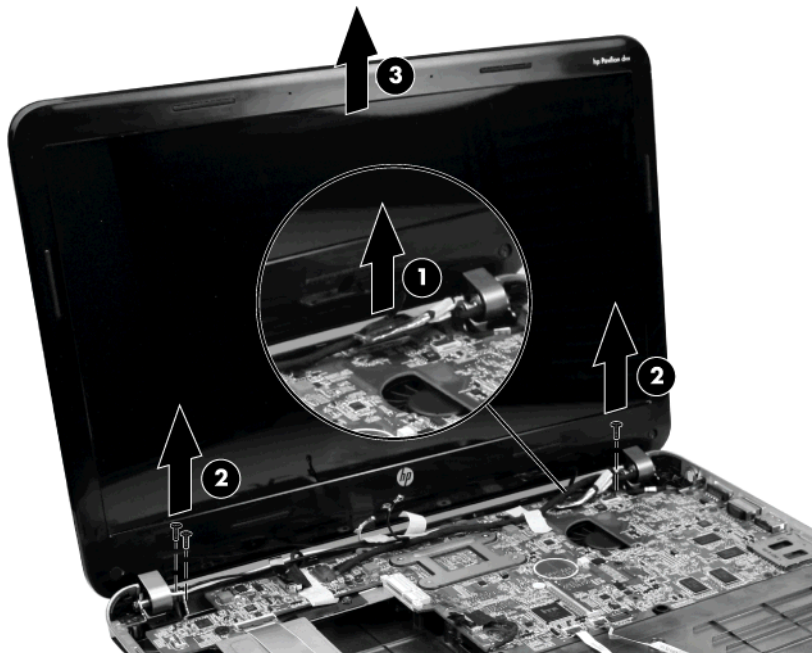
1. Position the computer right-side up, with the front toward you.
2. Open the display as far as possible.
3. Remove the two Phillips 4.0x2.5 screws **(1)** that secure the power connector bracket to the base enclosure.

4. Remove the power connector bracket (2).



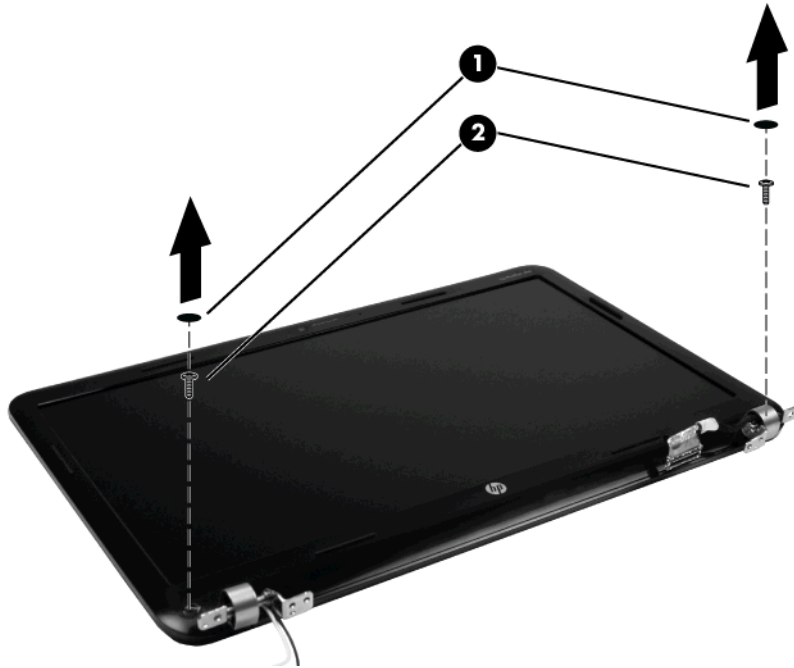
CAUTION: Support the display assembly when removing the display screws in the following steps. Failure to support the display assembly can result in damage to the assembly and other components.

5. Disconnect the display cable (1) from the system board.
6. Remove the three Phillips 4.0x2.5 screws(2) that secure the display assembly to the base enclosure.
7. Remove the display assembly (3).

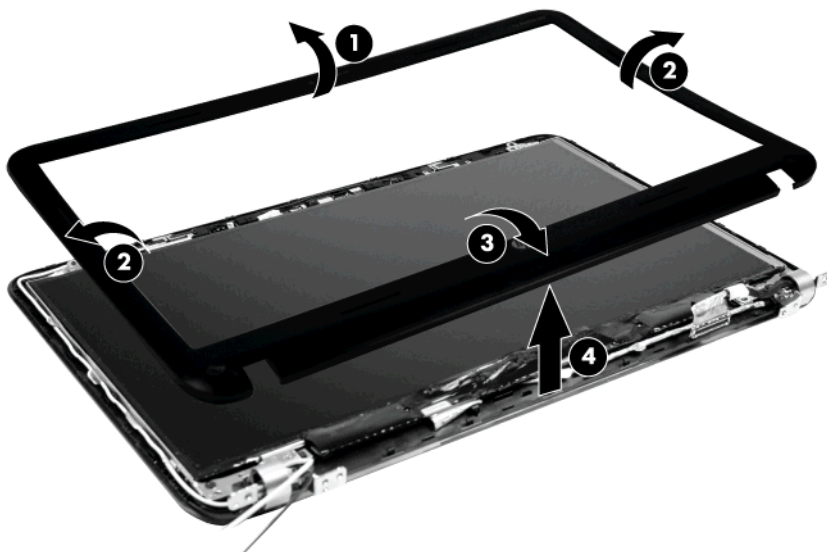


8. If it is necessary to replace any of the display assembly internal components, remove the following screw covers and screws. The display screw covers are included in the Display Screw Kit, spare part number 640357-001.

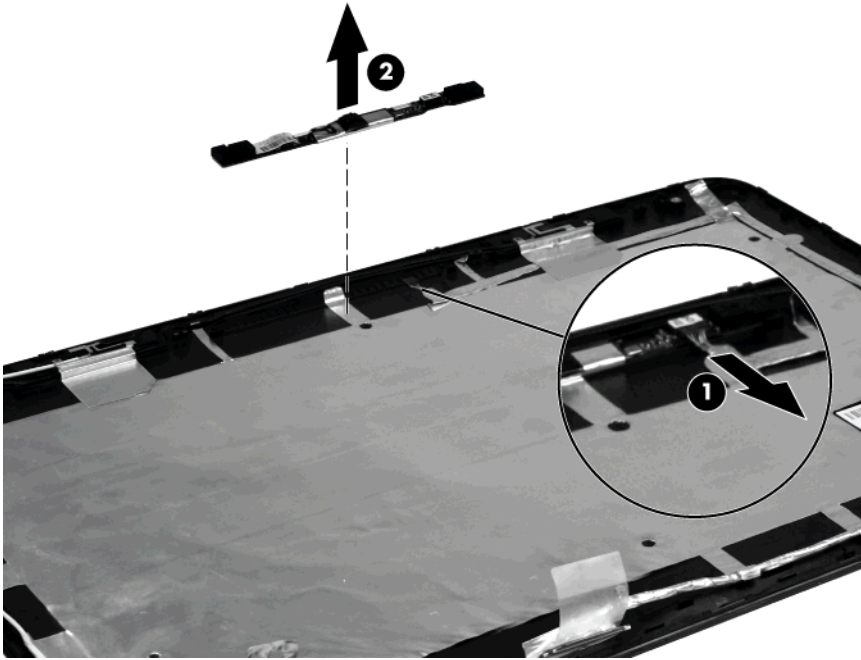
- (1) Two Mylar screw covers on the display bezel bottom edge
- (2) Two Phillips 3.5x2.5 screws



9. Flex the inside edge of the top (1), the left and right sides (2), and the bottom (3) of the display bezel until the bezel disengages from the display back cover.
10. Remove the display bezel (4). The display bezel is available using spare part number 640343-001.



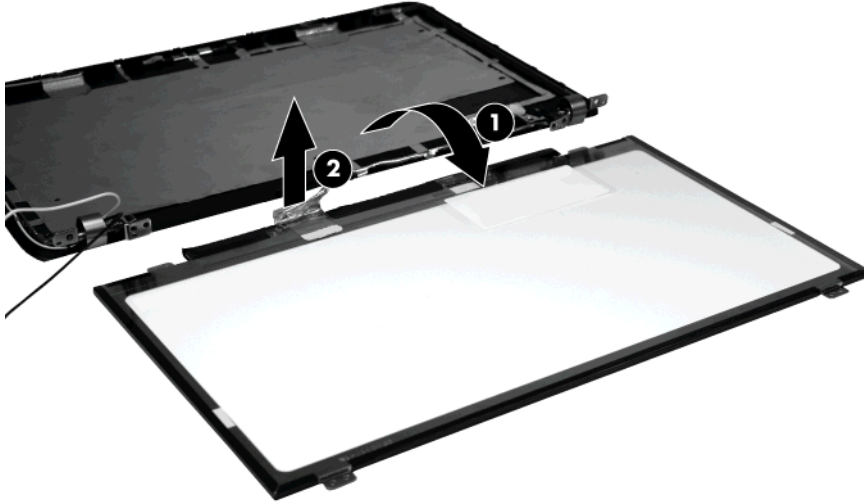
11. If it is necessary to replace the webcam module, disconnect the webcam cable (1) from the module and remove the webcam module (2). The webcam is available using spare part number 640336-001.



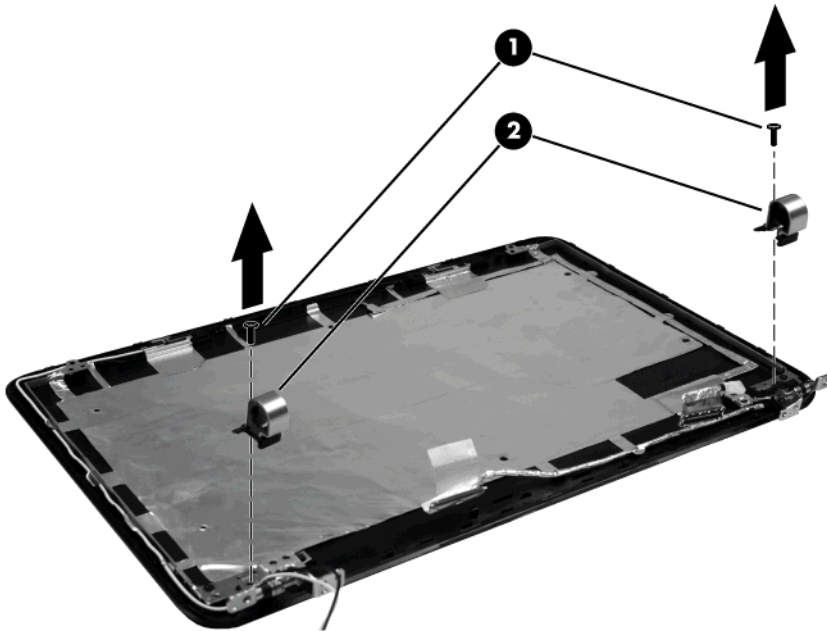
12. If it is necessary to replace the display panel, remove the six Phillips 3.0x2.0 screws that secure the display panel to the display enclosure.



13. Turn the display panel over and peel back the tape (1) that holds the display panel cable to the display panel. remove the display panel (2).

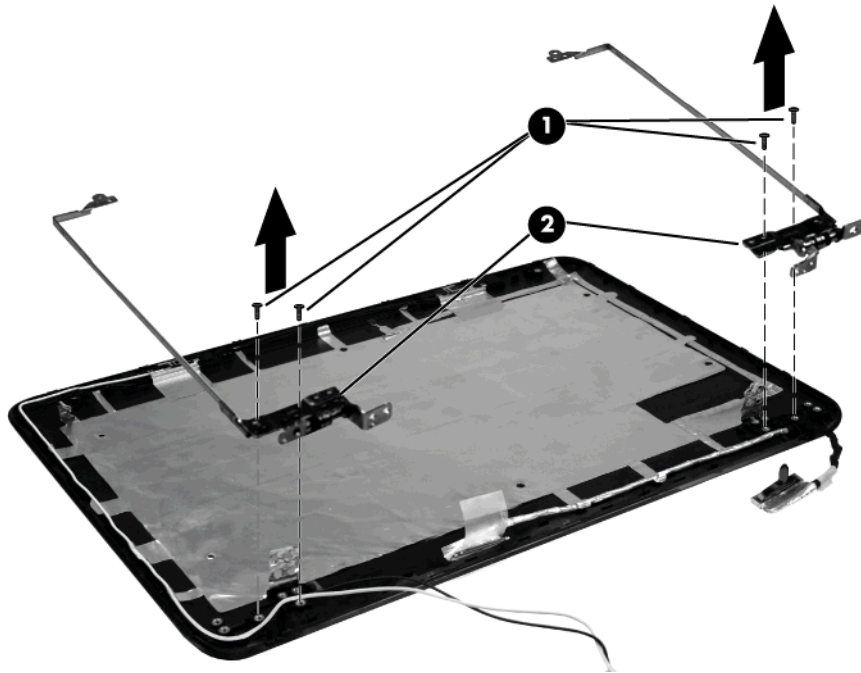


14. If it is necessary to replace the hinge covers, remove the two 3.5x2.5 screws (1) that secure the hinge covers to the display enclosure.
15. Remove the hinge covers (2).



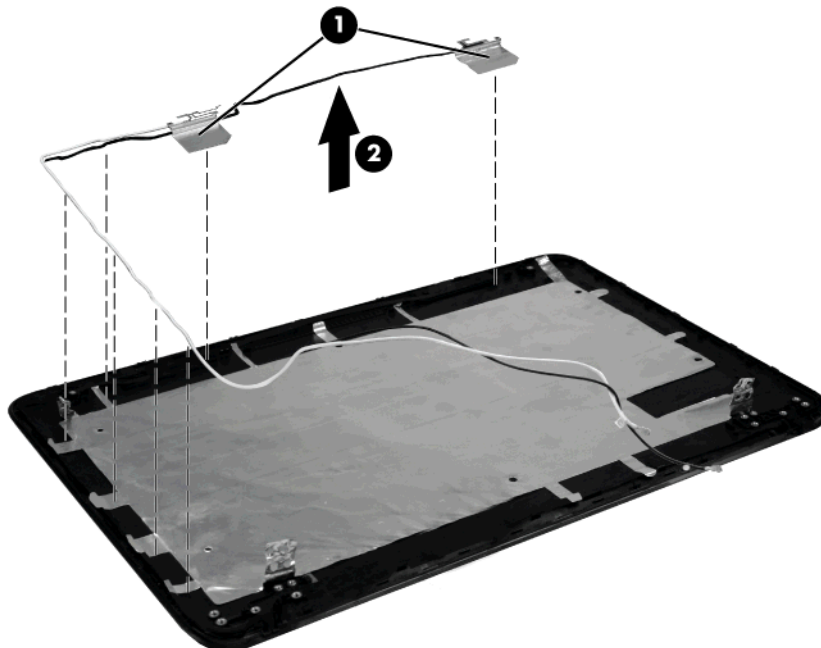
16. If it is necessary to replace the hinge brackets, remove the four Phillips PM2.5x2.5 screws (1) that secure the hinge brackets to the display enclosure.

17. Remove the hinge brackets (2).

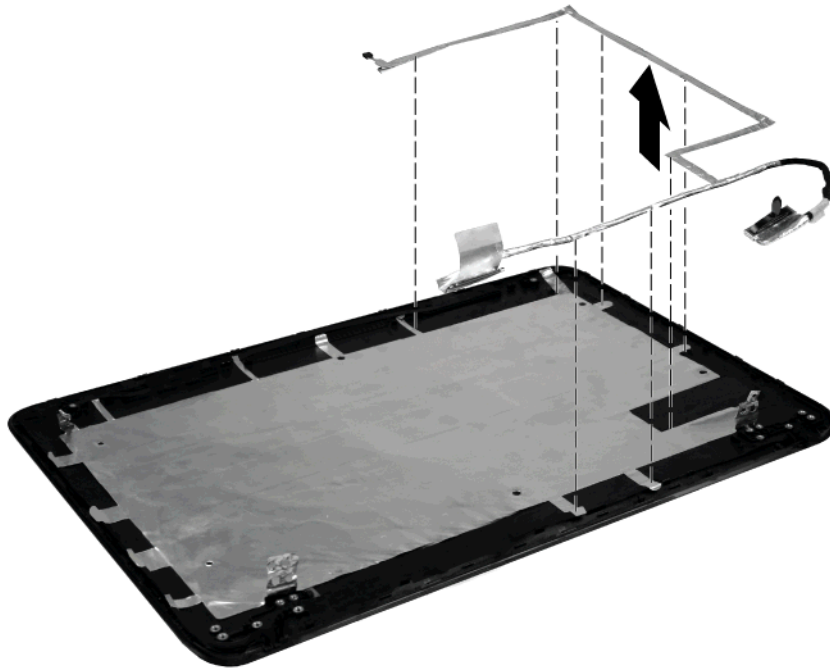


18. If it is necessary to replace the WLAN antenna, remove the adhesive strip (1) that secures the antenna to the display enclosure.

19. Remove the antenna (2).



20. If it is necessary to replace the display cable, peel it from the display enclosure to remove it.



Reverse this procedure to reassemble and install the display assembly.

Speaker assembly

Description	Spare part number
Speaker assembly (includes cable)	640359-001

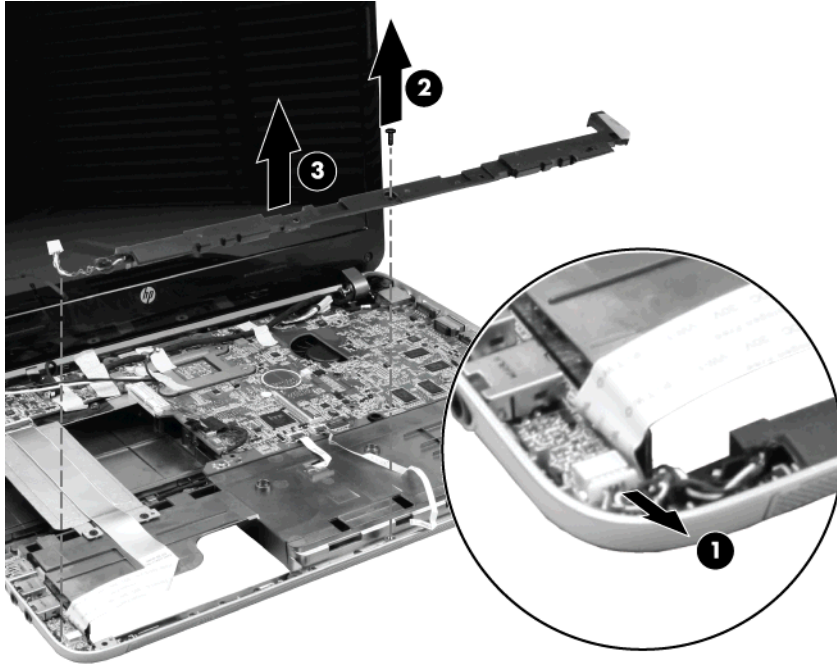
Before removing the speaker assembly, follow these steps:

1. Shut down the computer. If you are unsure whether the computer is off or in Hibernation, turn the computer on, and then shut it down through the operating system.
2. Disconnect all external devices connected to the computer.
3. Disconnect the power from the computer by first unplugging the power cord from the AC outlet and then unplugging the AC adapter from the computer.
4. Remove the following components:
 - a. Battery (see [Battery on page 36](#))
 - b. Memory module (see [Memory module on page 37](#))
 - c. Optical drive (see [Optical drive on page 42](#))
 - d. Keyboard (see [Keyboard on page 44](#))
 - e. Top cover (see [Top cover on page 49](#))

Remove the speaker assembly:

1. Position the computer with the front toward you.
2. Disconnect the speaker cable from the system board **(1)**.
3. Remove the Phillips 4.5x2.5 screw **(2)** that secures the speaker assembly to the base enclosure.

4. Lift the speaker assembly (3) straight up to remove it from the base enclosure.



Reverse this procedure to install the speaker assembly.

Audio/USB 2.0 board

Description	Spare part number
Audio/USB 2.0 board	641756-001

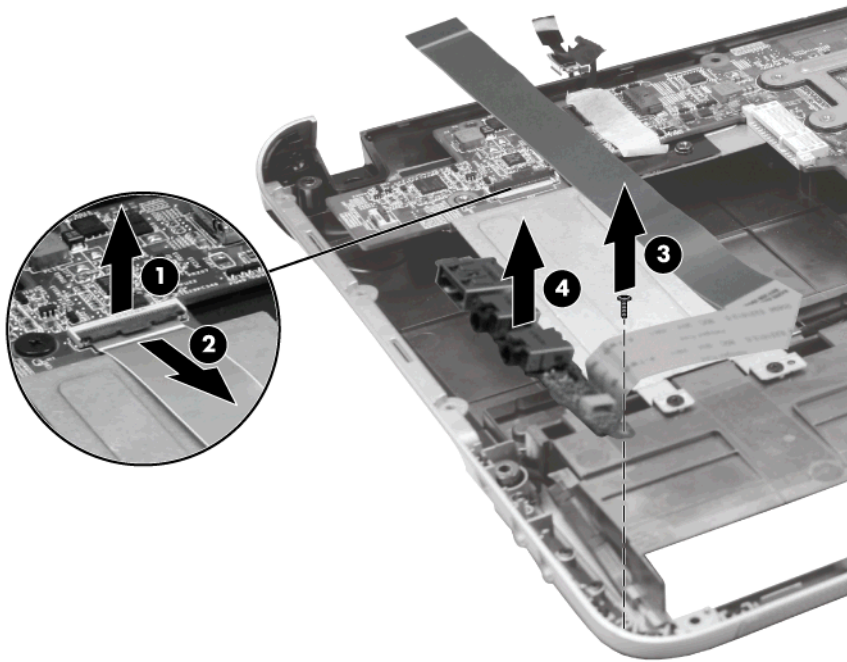
NOTE: The audio board cable is included in the Cable Kit, spare part number 640363-001.

Before removing the audio/USB 2.0 board, follow these steps:

1. Shut down the computer. If you are unsure whether the computer is off or in Hibernation, turn the computer on, and then shut it down through the operating system.
2. Disconnect all external devices connected to the computer.
3. Disconnect the power from the computer by first unplugging the power cord from the AC outlet and then unplugging the AC adapter from the computer.
4. Remove the following components:
 - a. Battery (see [Battery on page 36](#))
 - b. Memory module (see [Memory module on page 37](#))
 - c. Optical drive (see [Optical drive on page 42](#))
 - d. Keyboard (see [Keyboard on page 44](#))
 - e. Top cover (see [Top cover on page 49](#))

Remove the audio/USB 2.0 board:

1. Position the computer right-side up, with the front toward you.
2. Release the ZIF connector (1) to which the audio/USB 2.0 board is connected, and then disconnect the cable (2) from the system board.
3. Remove the Phillips 3.5x2.5 screw (3) that secures the audio/USB 2.0 board to the base enclosure.
4. Lift the audio/USB 2.0 board straight up (4) to remove it from the computer.



Reverse this procedure to install the audio/USB 2.0 board.

USB 3.0 board*

Description	Spare part number
USB 3.0 board*	650704-001

NOTE: *Select models only.

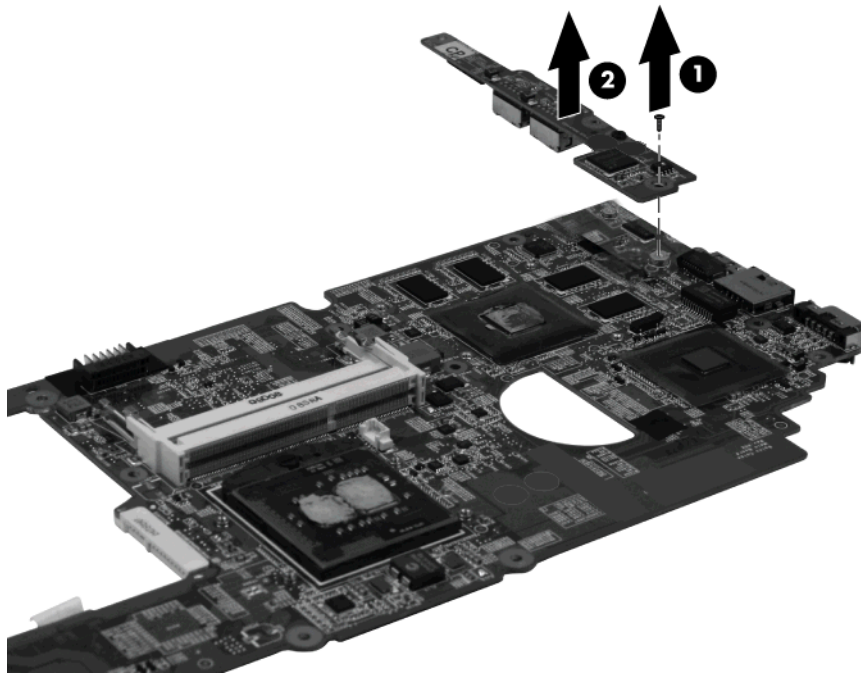
Before removing the USB 3.0 board, follow these steps:

1. Shut down the computer. If you are unsure whether the computer is off or in Hibernation, turn the computer on, and then shut it down through the operating system.
2. Disconnect all external devices connected to the computer.

3. Disconnect the power from the computer by first unplugging the power cord from the AC outlet and then unplugging the AC adapter from the computer.
4. Remove the following components:
 - a. Battery (see [Battery on page 36](#))
 - b. Memory module (see [Memory module on page 37](#))
 - c. Optical drive (see [Optical drive on page 42](#))
 - d. Keyboard (see [Keyboard on page 44](#))
 - e. Top cover (see [Top cover on page 49](#))
 - f. Power connector (see [Power connector on page 69](#))
 - g. System board (see [System board on page 71](#))

Remove the USB 3.0 board:

1. Position the system board upside down.
2. Remove the Phillips 3.0x2.5 screw (1) that secures the USB 3.0 board to the system board.
3. Remove the USB 3.0 board (2) from the system board.



Reverse this procedure to install the USB 3.0 board.

TouchPad LED board

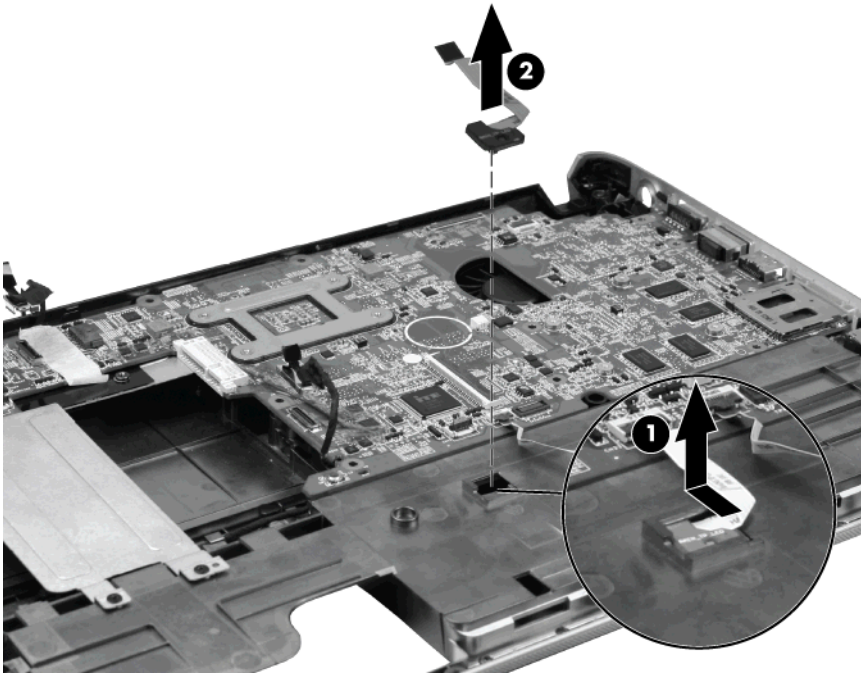
Description	Spare part number
TouchPad LED board	640339-001

Before removing the TouchPad LED board, follow these steps:

1. Shut down the computer. If you are unsure whether the computer is off or in Hibernation, turn the computer on, and then shut it down through the operating system.
2. Disconnect all external devices connected to the computer.
3. Disconnect the power from the computer by first unplugging the power cord from the AC outlet and then unplugging the AC adapter from the computer.
4. Remove the following components:
 - a. Battery (see [Battery on page 36](#))
 - b. Memory module (see [Memory module on page 37](#))
 - c. Optical drive (see [Optical drive on page 42](#))
 - d. Keyboard (see [Keyboard on page 44](#))
 - e. Top cover (see [Top cover on page 49](#))

Remove the TouchPad LED board:

1. Position the computer right-side up, with the front toward you.
2. Slide the TouchPad LED board (1) out from the bracket holding it in the base enclosure.
3. Remove the TouchPad LED board from the base enclosure (2).



Reverse this procedure to install the TouchPad LED board.

Security lock bracket

Description	Spare part number
Security Lock/Bracket Hardware Kit	640342-001

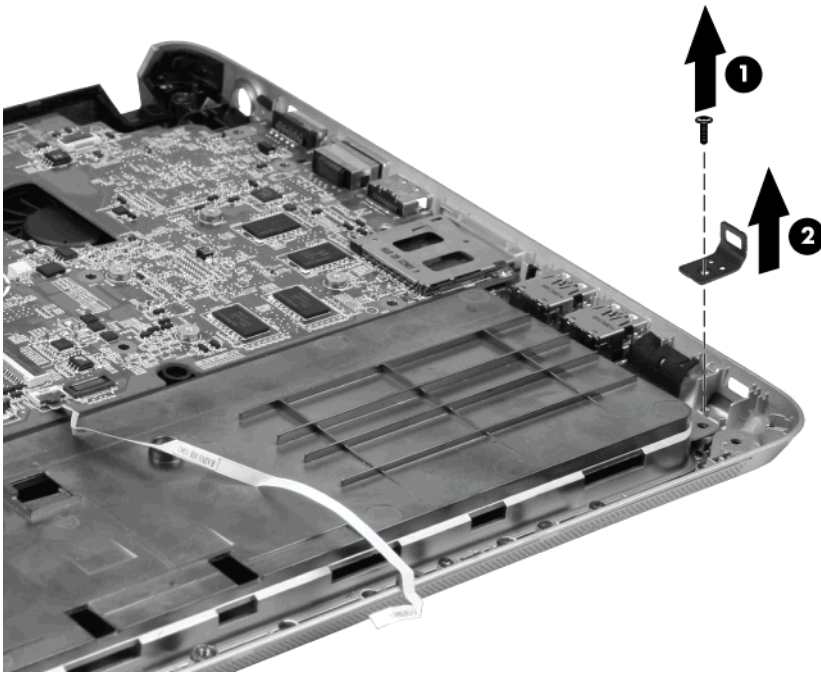
Before removing the security lock bracket, follow these steps:

1. Shut down the computer. If you are unsure whether the computer is off or in Hibernation, turn the computer on, and then shut it down through the operating system.
2. Disconnect all external devices connected to the computer.
3. Disconnect the power from the computer by first unplugging the power cord from the AC outlet and then unplugging the AC adapter from the computer.
4. Remove the following components:
 - a. Battery (see [Battery on page 36](#))
 - b. Memory module (see [Memory module on page 37](#))
 - c. Optical drive (see [Optical drive on page 42](#))
 - d. Keyboard (see [Keyboard on page 44](#))
 - e. Top cover (see [Top cover on page 49](#))
 - f. Speaker assembly (see [Speaker assembly on page 62](#))

Remove the security lock bracket:


1. Position the computer right-side up, with the right side toward you.
2. Remove the Phillips 4.5x2.5 screw **(1)** that secures the security lock bracket to the base enclosure.

3. Lift the bracket (2) up and out of the base enclosure.



Reverse this procedure to install the security lock bracket.

Power connector

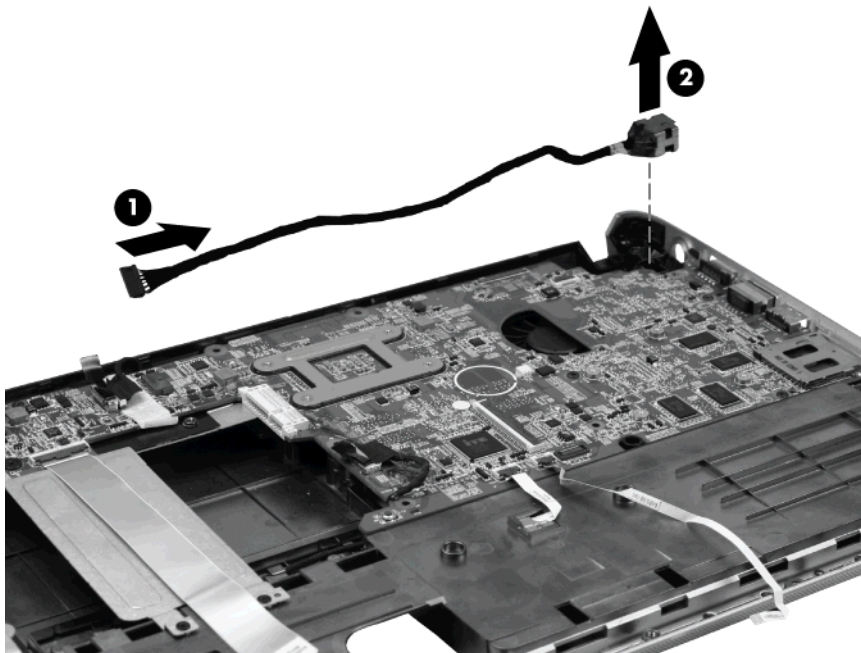
 **NOTE:** The power connector and cable are included in the Cable Kit, spare part number 640363-001.

Before removing the power connector, follow these steps:

1. Shut down the computer. If you are unsure whether the computer is off or in Hibernation, turn the computer on, and then shut it down through the operating system.
2. Disconnect all external devices connected to the computer.
3. Disconnect the power from the computer by first unplugging the power cord from the AC outlet and then unplugging the AC adapter from the computer.
4. Remove the following components:
 - a. Hard drive (see [Hard drive on page 39](#))
 - b. Memory module (see [Memory module on page 37](#))
 - c. Optical drive (see [Optical drive on page 42](#))
 - d. Keyboard (see [Keyboard on page 44](#))
 - e. Top cover (see [Top cover on page 49](#))
 - f. Display assembly (see [Display assembly on page 55](#))

Remove the power connector:

1. Position the computer right-side up, with the front toward you.
2. Disconnect the power connector cable (1) from the system board.
3. Remove the power connector (2) from the base enclosure.



Reverse this procedure to install the power connector.

System board



NOTE: The system board kit includes replacement thermal material.

Description	Spare part number
System board	640334-001
	641760-001
	657602-001
	657603-001

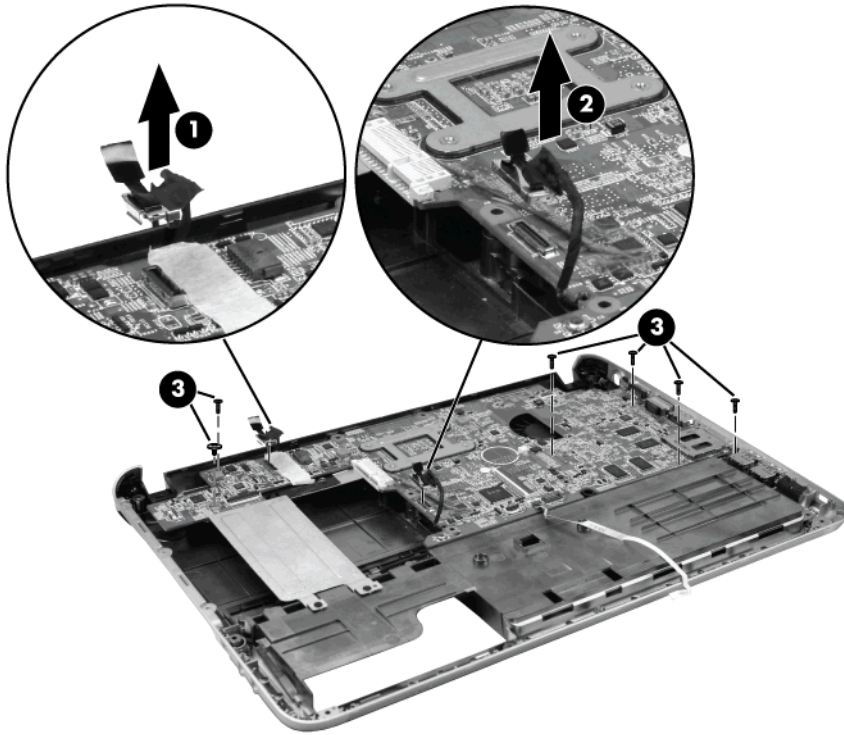
When replacing the system board, be sure that the following components are removed from the defective system board and installed on the replacement system board:

- RTC battery (see [RTC battery on page 48](#))
- Memory module (see [Memory module on page 37](#))
- WLAN module (see [WLAN module on page 46](#))
- Fan/heat sink assembly (see [Fan/heat sink assembly on page 74](#))
- Processor (see [Processor on page 76](#))

Before removing the system board, follow these steps:

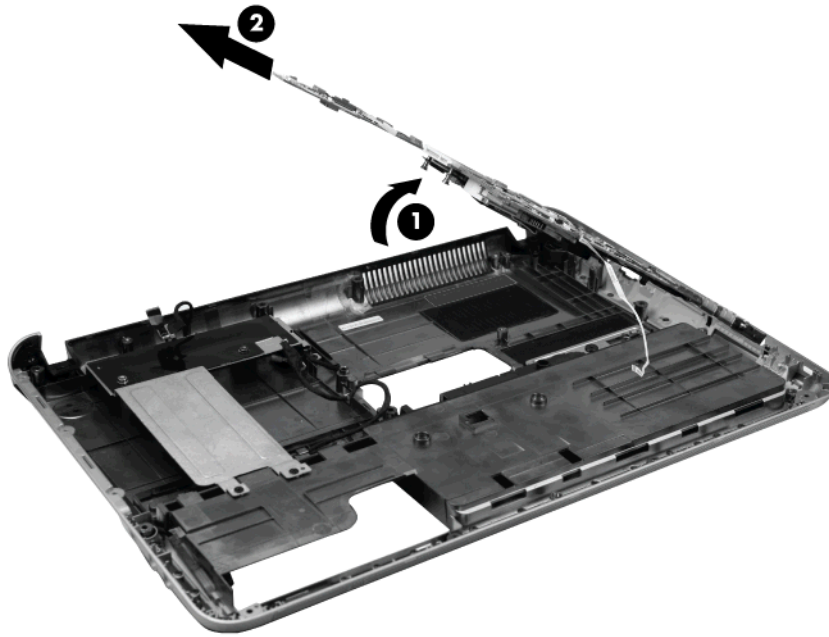
1. Shut down the computer. If you are unsure whether the computer is off or in Hibernation, turn the computer on, and then shut it down through the operating system.
2. Disconnect all external devices connected to the computer.
3. Disconnect the power from the computer by first unplugging the power cord from the AC outlet and then unplugging the AC adapter from the computer.
4. Remove the following components:
 - a. Battery (see [Battery on page 36](#))
 - b. Memory module (see [Memory module on page 37](#))
 - c. Optical drive (see [Optical drive on page 42](#))
 - d. Keyboard (see [Keyboard on page 44](#))
 - e. Top cover (see [Top cover on page 49](#))
 - f. Display assembly (see [Display assembly on page 55](#))
 - g. Speaker assembly (see [Speaker assembly on page 62](#))

- h. Audio/USB 2.0 board (see [Audio/USB 2.0 board on page 63](#))
 - i. Power connector (see [Power connector on page 69](#))
1. Position the computer right-side up, with the front toward you.
 2. Disconnect the optical drive cable (1) from the system board.
 3. Disconnect the hard drive cable (2) from the system board .
 4. Remove the six Phillips 4.5x2.5 screws (3).



5. Lift the left side of the system board (1).

6. Release the system board by sliding it to the left at an angle **(2)** until the connectors on the right side of the system board clear the base enclosure, and then remove the system board.



Reverse this procedure to install the system board.

Fan/heat sink assembly



NOTE: The fan/heat sink assembly kit includes replacement thermal material.

Description	Spare part number
Fan/heat sink assembly	644515-001



NOTE: To properly ventilate the computer, allow at least a **7.6-cm** (3-inch) clearance on the right side and rear panel of the computer. The computer uses an electric fan for ventilation. The fan is controlled by a temperature sensor and is designed to turn on automatically when high temperature conditions exist. These conditions are affected by high external temperatures, system power consumption, power management/battery conservation configurations, battery fast charging, and software requirements. Exhaust air is displaced through the ventilation grill located on the left side of the computer.


Before removing the fan/heat sink assembly, follow these steps:

1. Shut down the computer. If you are unsure whether the computer is off or in Hibernation, turn the computer on, and then shut it down through the operating system.
2. Disconnect all external devices connected to the computer.
3. Disconnect the power from the computer by first unplugging the power cord from the AC outlet and then unplugging the AC adapter from the computer.
4. Remove the following components:
 - a. Battery (see [Battery on page 36](#))
 - b. Memory module (see [Memory module on page 37](#))
 - c. Optical drive (see [Optical drive on page 42](#))
 - d. Keyboard (see [Keyboard on page 44](#))
 - e. Top cover (see [Top cover on page 49](#))
 - f. Display assembly (see [Display assembly on page 55](#))
 - g. Speaker assembly (see [Speaker assembly on page 62](#))
 - h. Audio/USB 2.0 board (see [Audio/USB 2.0 board on page 63](#))
 - i. TouchPad LED board (see [TouchPad LED board on page 65](#))
 - j. Power connector (see [Power connector on page 69](#))
 - k. System board (see [System board on page 71](#))
 - l. USB 3.0 board (see [USB 3.0 board* on page 64](#))

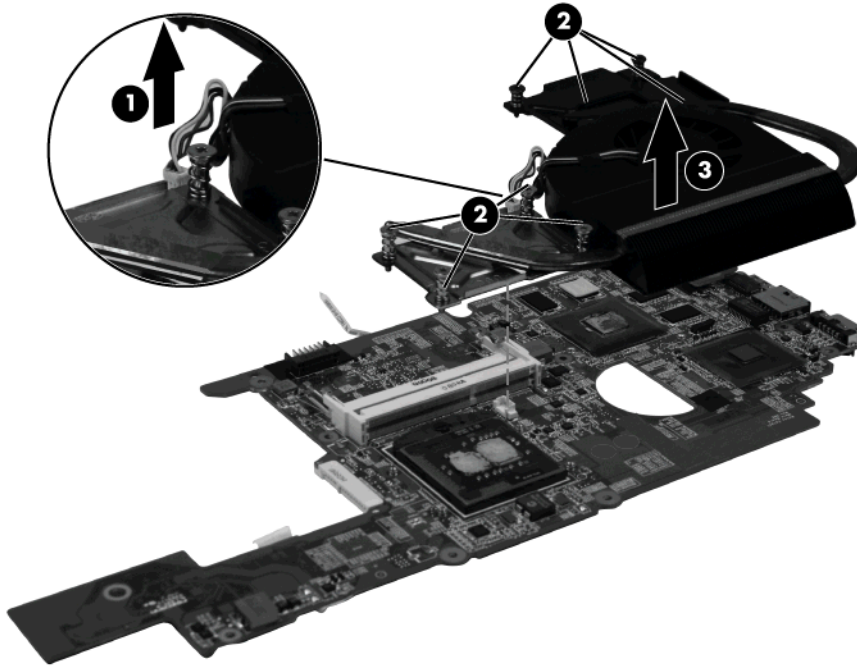
Remove the fan/heat assembly (fan/heat sink appearance may vary):

1. Turn the system board upside down.
2. Disconnect the fan cable from the system board (1).

3. Follow the sequence embossed on the heat sink to loosen the eight Phillips 10.5x2.0 captive screws (2) that secure the fan/heat sink assembly to the system board.

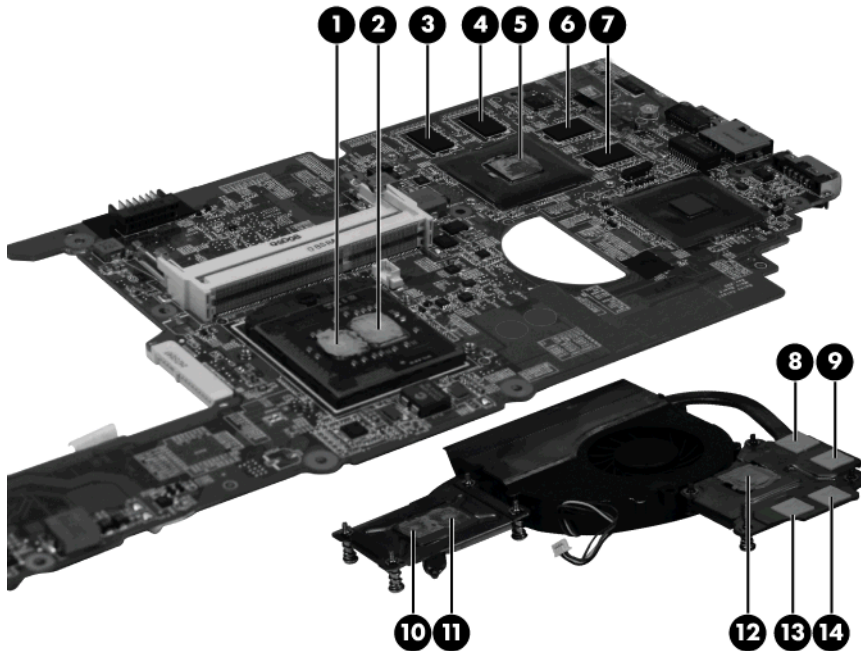
 **NOTE:** Due to the adhesive quality of the thermal material located between the fan/heat sink assembly and system board components, it may be necessary to move the fan/heat sink assembly from side to side to detach the assembly.

4. Remove the fan/heat sink assembly (3).




- The thermal material must be thoroughly cleaned from the surfaces of the processor (1) and (2), the system board (3), (4), (5), (6), and (7), and the fan/heat sink assembly (8), (9), (10), (11), (12), (13), and (14). Thermal pads and thermal paste must be installed on all surfaces before the fan/heat sink assembly is reinstalled.

The following illustration shows the locations for thermal material.



Reverse this procedure to install the fan/heat sink assembly.

Processor

 **NOTE:** The processor kits include thermal material.

Description	Spare part number
Intel Core i5-480M, 2.66 GHz (turbo up to 2.93 GHz), 3MB L3 cache, Dual 35W	634693-001
Intel Core i3-380M, 2.53 GHz, 3MB L3 cache, Dual 35W	625823-001
Intel Core i3-390M, 2.66 GHz, 3MB L3 cache, Dual 35W	634692-001
Intel Pentium P6300, 2.26 GHz, 3 MB L3 cache, Dual 35 W	635500-001
Intel Pentium P6200, 2.13GHz, 3 MB L3 cache, Dual 35W	625831-001


Before removing the processor, follow these steps:

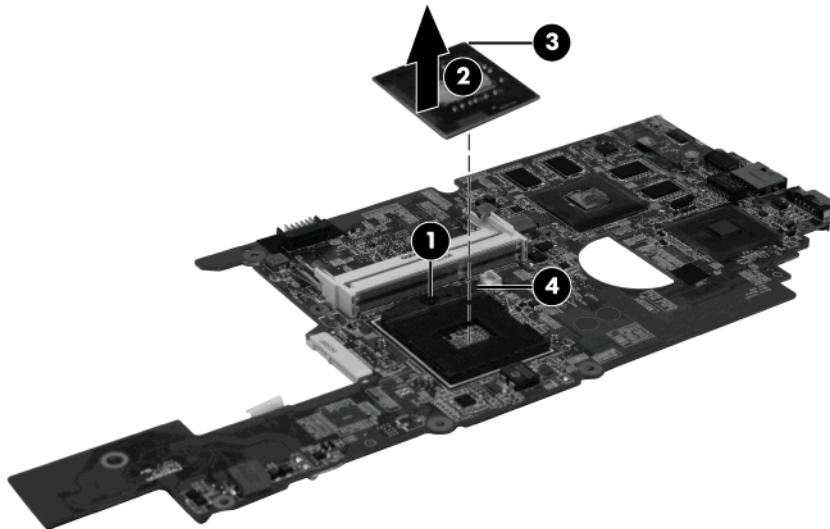
- Shut down the computer. If you are unsure whether the computer is off or in Hibernation, turn the computer on, and then shut it down through the operating system.
- Disconnect all external devices connected to the computer.
- Disconnect the power from the computer by first unplugging the power cord from the AC outlet and then unplugging the AC adapter from the computer.

4. Remove the battery (see [Battery on page 36](#)).
5. Remove the following components:
 - a. Battery (see [Battery on page 36](#))
 - b. Memory module (see [Memory module on page 37](#))
 - c. Optical drive (see [Optical drive on page 42](#))
 - d. Keyboard (see [Keyboard on page 44](#))
 - e. Top cover (see [Top cover on page 49](#))
 - f. Display assembly (see [Display assembly on page 55](#))
 - g. Speaker assembly (see [Speaker assembly on page 62](#))
 - h. Audio/USB 2.0 board (see [Audio/USB 2.0 board on page 63](#))
 - i. TouchPad LED board (see [TouchPad LED board on page 65](#))
 - j. Power connector (see [Power connector on page 69](#))
 - k. System board (see [System board on page 71](#))
 - l. USB 3.0 board (see [USB 3.0 board* on page 64](#))

Remove the processor:

1. Turn the processor locking screw (1) one-half turn counterclockwise until you hear a click.
2. Lift the processor (2) straight up and remove it.

 **NOTE:** The gold triangle (3) on the processor must be aligned with the triangle icon (4) embossed on the processor socket when you install the processor.



Reverse this procedure to install the processor.

Mass storage device connector cables



NOTE: The optical drive connector cable and hard drive connector cable are available in the Cable Kit, spare part number 640363-001.

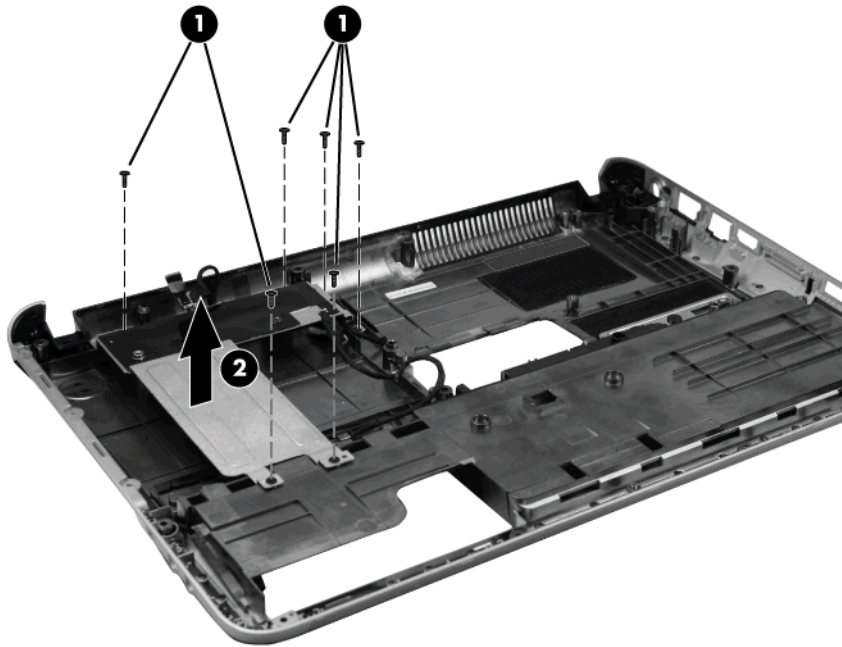
Before removing either of the mass storage device connector cables, follow these steps:

1. Shut down the computer. If you are unsure whether the computer is off or in Hibernation, turn the computer on, and then shut it down through the operating system.
2. Disconnect all external devices connected to the computer.
3. Disconnect the power from the computer by first unplugging the power cord from the AC outlet and then unplugging the AC adapter from the computer.
4. Remove the following components:
 - a. Battery (see [Battery on page 36](#))
 - b. Memory module (see [Memory module on page 37](#))
 - c. Optical drive (see [Optical drive on page 42](#))
 - d. Keyboard (see [Keyboard on page 44](#))
 - e. Top cover (see [Top cover on page 49](#))
 - f. Display assembly (see [Display assembly on page 55](#))
 - g. Speaker assembly (see [Speaker assembly on page 62](#))
 - h. Audio/USB 2.0 board (see [Audio/USB 2.0 board on page 63](#))
 - i. TouchPad LED board (see [TouchPad LED board on page 65](#))
 - j. Power connector (see [Power connector on page 69](#))
 - k. System board (see [System board on page 71](#))

Remove the optical drive bracket:

1. Remove the six Phillips 2.5x2.5 screws **(1)** that secure the optical drive bracket to the base enclosure.
2. Remove the optical drive bracket **(2)** from the base enclosure.
3. Lift the optical drive connector cable from the base enclosure.

4. Lift the hard drive connector cable from the base enclosure.



Reverse this procedure to install the hard drive connector cable, optical drive connector cable, and the optical drive bracket.

5 Setup Utility

Starting Setup Utility

Setup Utility is a ROM-based information and customization utility that can be used even when your Windows operating system is not working.

The utility reports information about the computer and provides settings for startup, security, and other preferences.

To start Setup Utility:

- ▲ Open Setup Utility by turning on or restarting the computer. While the “Press the ESC key for Startup Menu” message is displayed in the lower-left corner of the screen, press **f10**.

– or –

1. Open Setup Utility by turning on or restarting the computer. While the “Press the ESC key for Startup Menu” message is displayed in the lower-left corner of the screen, press **esc**.
2. When the Startup Menu is displayed, press **f10**.

Using Setup Utility

Changing the language of Setup Utility

The following procedure explains how to change the language of Setup Utility. If Setup Utility is not already running, begin at step 1. If Setup Utility is already running, begin at step 2.

1. Open Setup Utility by turning on or restarting the computer. While the “Press the ESC key for Startup Menu” message is displayed in the lower-left corner of the screen, press **f10**.

– or –

Open Setup Utility by turning on or restarting the computer. While the “Press the ESC key for Startup Menu” message is displayed in the lower-left corner of the screen, press **esc**. When the Startup Menu is displayed, press **f10**.

2. Use the arrow keys to select **System Configuration > Language**, and then press **enter**.
3. Use the arrow keys to select a language, and then press **enter**.
4. When a confirmation prompt with your language selected is displayed, press **enter**.
5. To save your change and exit Setup Utility, use the arrow keys to select **Exit > Exit Saving Changes**, and then press **enter**.

Your change goes into effect immediately.

Navigating and selecting in Setup Utility

Because Setup Utility is not Windows based, it does not support the TouchPad. Navigation and selection are by keystroke.

- To choose a menu or a menu item, use the arrow keys.
- To choose an item in a list or to toggle a field, for example an Enable/Disable field, use either the arrow keys or **f5** or **f6**.
- To select an item, press **enter**.
- To close a text box or return to the menu display, press **esc**.
- To display additional navigation and selection information while Setup Utility is open, press **f1**.

Displaying system information

The following procedure explains how to display system information in Setup Utility. If Setup Utility is not open, begin at step 1. If Setup Utility is open, begin at step 2.

1. Open Setup Utility by turning on or restarting the computer. While the “Press the ESC key for Startup Menu” message is displayed in the lower-left corner of the screen, press **f10**.

– or –

Open Setup Utility by turning on or restarting the computer. While the “Press the ESC key for Startup Menu” message is displayed in the lower-left corner of the screen, press **esc**. When the Startup Menu is displayed, press **f10**.

2. Select the **Main** menu. System information such as the system time and date, and identification information about the computer is displayed.
3. To exit Setup Utility without changing any settings, use the arrow keys to select **Exit > Exit Discarding Changes**, and then press **enter**.

Restoring default settings in Setup Utility

The following procedure explains how to restore the Setup Utility default settings. If Setup Utility is not already running, begin at step 1. If Setup Utility is already running, begin at step 2.

1. Open Setup Utility by turning on or restarting the computer. While the “Press the ESC key for Startup Menu” message is displayed in the lower-left corner of the screen, press **f10**.

– or –

Open Setup Utility by turning on or restarting the computer. While the “Press the ESC key for Startup Menu” message is displayed in the lower-left corner of the screen, press **esc**. When the Startup Menu is displayed, press **f10**.

2. Use the arrow keys to select **Exit > Load Setup Defaults**, and then press **enter**.
3. When the Setup Confirmation is displayed, press **enter**.
4. To save your change and exit Setup Utility, use the arrow keys to select **Exit > Exit Saving Changes**, and then press **enter**.

The Setup Utility default settings go into effect when the computer restarts.



NOTE: Your password, security, and language settings are not changed when you restore the factory default settings.

Exiting Setup Utility

You can exit Setup Utility with or without saving changes.

- To exit Setup Utility and save your changes from the current session:

If the Setup Utility menus are not visible, press **esc** to return to the menu display. Then, use the arrow keys to select **Exit > Exit Saving Changes**, and then press **enter**.


- To exit Setup Utility without saving your changes from the current session:

If the Setup Utility menus are not visible, press **esc** to return to the menu display. Then, use the arrow keys to select **Exit > Exit Discarding Changes**, and then press **enter**.

After either choice, the computer restarts in Windows.

Setup Utility menus

The menu tables in this section provide an overview of Setup Utility options.

 **NOTE:** Some of the Setup Utility menu items listed in this chapter may not be supported by your computer.

Main menu

Select	To do this
System information	<ul style="list-style-type: none">• View and change the system time and date.• View identification information about the computer.• View specification information about the processor, memory size, system BIOS, and keyboard controller version (select models only).

Security menu

Select	To do this
Administrator password	Enter, change, or delete an administrator password.
Power-On Password	Enter, change, or delete a power-on password.

System Configuration menu

Select	To do this
Language Support	Change the Setup Utility language.
Button Sound (select models only)	Enable/disable the capacitive button tapping sound.
Virtualization Technology (select models only)	Enable/disable the processor Virtualization Technology.
Processor C6 State (select models only)	Enable/disable the processor C6 sleep state.
LAN Power Saving (select models only)	Enable/disable LAN Power Saving. When enabled, saves power when the computer is in DC mode.
Card Reader/1394 Power Saving (select models only)	Enable/disable Card Reader/1394 Power Saving.

Select	To do this
Fan Always On	Enable/disable Fan Always On. When enabled, the computer fan will always be on.
Boot Options	<p>Set the following boot options:</p> <ul style="list-style-type: none"> • f10 and f12 Delay (seconds)—Set the delay for the f10 and f12 functions of Setup Utility in intervals of 5 seconds each (0, 5, 10, 15, 20). • CD-ROM boot—Enable/disable boot from CD-ROM. • Floppy boot—Enable/disable boot from diskette. • Internal Network Adapter boot—Enable/disable boot from Internal Network Adapter. • Boot Order—Set the boot order for: <ul style="list-style-type: none"> ◦ Hard drive ◦ Internal CD/DVD ROM drive ◦ USB Diskette on Key/USB hard disk ◦ USB CD/DVD ROM drive ◦ USB floppy ◦ Network adapter

Diagnostics menu

Select	To do this
Hard Disk Self Test	<p>Run a comprehensive self test on the hard drive.</p> <p>NOTE: On models with two hard drives, this menu option is called Primary Hard Disk Self Test.</p>
Secondary Hard Disk Self Test (select models only)	Run a comprehensive self test on a secondary hard drive.
Memory Test	Run a diagnostic test on the system memory.

6 Specifications

Computer specifications

Dimensions	
Dept	22.8 cm (8.98 in)
Width	34.8 cm (13.70 in)
Height (front to rear)	2.5 to 3.2 cm (0.98 to 1.26 in)
Weight (lowest weight configuration)	< 2.00 kg (4.42 lbs)
Input power	
Operating voltage	18.5 V dc @ 4.74 A – 90 W
Operating current	4.74 A
Temperature	
Operating (not writing to optical disc)	0°C to 35°C (32°F to 95°F)
Operating (writing to optical disc)	5°C to 35°C (41°F to 95°F)
Nonoperating	-20°C to 60°C (-4°F to 140°F)
Relative humidity	
Operating	10% to 90%
Nonoperating	5% to 95%
Maximum altitude (unpressurized)	
Operating	-15 m to 3,048 m (-50 ft to 10,000 ft)
Nonoperating	-15 m to 12,192 m (-50 ft to 40,000 ft)
NOTE: Applicable product safety standards specify thermal limits for plastic surfaces. The computer operates well within this range of temperatures.	

35.56-cm (14.0-in) display specifications

Dimensions	
Active diagonal size	35.56 cm (14.00 in)
Active area	309.399 x 173.952
Resolution	1366 × 768 (HD)
Weight	320 g (0.71 lbs)
Contrast ratio	500:1 (typical)
Luminance	200 nits (typical)
Luminance uniformity	1.4 (typical) 1.6 (max)
Lifetime (1/2 luminance)	12,000 hours
Backlight	LED
Response time	8 ms (typical)
Surface treatment	BV
Total power consumption	2.8 W
Viewing angle	SVA

Hard drive specifications

	750-GB*	640-GB*	500-GB*	320-GB*	250-GB*
Dimensions					
Height			9.5 mm		
Width			70 mm		
Weight			101 g		
Interface type	SATA				
Transfer rate	100 MB/sec				
Security	ATA security				
Seek times (typical read, including setting)					
Single track	1.0 ms	1.0 ms	1.0 ms	1.5 ms	2.0 ms
Average	14.0 ms	14.0 ms	14.0 ms	12.0 ms	12.0 ms
Maximum	22.0 ms	22.0 ms	22.0 ms	22.0 ms	22.0 ms
Logical blocks	1,465,149,168	1,250,263,728	976,773,168	625,142,448	488,397,168
Disc rotational speed	5400 and 7200 rpm	5400 and 7200 rpm	7200 rpm	7200 rpm	7200 rpm
Operating temperature	5°C to 55°C (41°F to 131°F)				
*1 GB = 1 billion bytes when referring to hard drive storage capacity. Actual accessible capacity is less. Actual drive specifications may differ slightly.					
NOTE: Certain restrictions and exclusions apply. Contact technical support for details.					

Blu-ray ROM with LightScribe* DVD±R/RW Super Multi Double-Layer Drive specifications

Applicable disc	Read:	Write:
	BD-ROM, BD-ROM-DL, BD-R, BD-R-DL, BD-RE, BD-RE-DL, DVD-ROM, DVD+R, DVD+R-DL, DVD+RW, DVD-R, DVD-R-DL, DVD-RW, DVD-RAM (Ver.2), CD-DA, CD-ROM (mode 1 and mode 2), CD-ROM XA (mode 2, form 1 and form 2), Photo CD (single and multiple sessions), CD Extra, CD-R, CD-RW, and CD-TEXT	DVD-RAM (Ver.2), DVD+R, DVD-R, CD-R, and CD-ROM
Access time	BD	DVD
Random	< 230 ms	< 180 ms
Cache buffer	2 MB	
Data transfer rate		
2X BD-ROM	9 MB/sec	
8X DVD ROM	10,800 KB/sec	
16X CD-R	2,400 KB/sec	
10X CD-RW	1,500 KB/sec	



NOTE: *Select models only.

DVD±RW SuperMulti Double-Layer Drive with LightScribe* specifications

Applicable disc	
Read	CD-DA, CD+(E)G, CD-MIDI, CD-TEXT, CD-ROM, CD-ROM XA, MIXED MODE CD, CD-I, CD-I Bridge (Photo-CD, Video CD), Multisession CD (Photo-CD, CD-EXTRA, Portfolio, CD-R, CD-RW), CD-R, CD-RW, DVD-ROM (DVD-5, DVD-9, DVD-10, DVD-18), DVD-R, DVD-RW, DVD+R, DVD+RW, DVD-RAM
Write	CD-R and CD-RW, DVD+R, DVD+RW, DVD-R, DVD-RW, DVD-RAM
Random access time	
DVD	< 230 ms
CD	< 175 ms
Cache buffer	
	2 MB
Data transfer rate	
24X CD-ROM	3,600 KB/sec
8X DVD-ROM	10,800 KB/sec
24X CD-R	3,600 KB/sec
16X CD-RW	2,400 KB/sec
8X DVD+R	10,800 KB/sec
4X DVD+RW	5,400 KB/sec
8X DVD-R	10,800 KB/sec
4X DVD-RW	5,400 KB/sec
2.4X DVD+R(9)	2,700 KB/sec
5X DVD-RAM	6,750 KB/sec
Transfer mode	
	Multiword DMA Mode




NOTE: *Select models only.

System resource specifications

You can use Device Manager to get a graphical view of the system resources that control how the devices work on the computer. System resources you can access from Device Manager are direct memory access (DMA) channels, input/output (I/O) ports, interrupt request (IRQ) lines, and memory addresses.

If two devices require the same resource and create a device conflict, you can manually change the resource settings in Device Manager to be sure each setting is unique.

 **CAUTION:** Improperly changing resource settings can disable your hardware and cause your computer to malfunction or become inoperable. Only users who have expert knowledge of computer hardware and hardware configurations should change resource settings.

To view resource settings in Windows 7:


1. Select **Start > Computer**.
2. Click **System properties** near the top of the Computer folder.
3. On the left, click **Device Manager**.
4. On the **View** menu, click one of the following:
 - **Resources by type**
 - **Resources by connection**

7 Backup and recovery

Recovery after a system failure is as complete as your most current backup. HP recommends that you create recovery discs immediately after software setup. As you add new software and data files, you should continue to back up your system on a regular basis to maintain a reasonably current backup.

Tools provided by the operating system and HP Recovery Manager software are designed to help you with the following tasks for safeguarding your information and restoring it in case of a system failure:


- Creating a set of recovery discs (Recovery Manager software feature). Recovery discs are used to start up (boot) your computer and restore the operating system and software programs to factory settings in case of system failure or instability.
- Backing up your information regularly to protect your important system files.
- Creating system restore points (operating system feature). System restore points allow you to reverse undesirable changes to your computer by restoring the computer to an earlier state.
- Recovering a program or driver (Recovery Manager software feature). This feature helps you reinstall a program or driver without performing a full system recovery.
- Performing a full system recovery (Recovery Manager software feature). With Recovery Manager, you can recover your full factory image if you experience system failure or instability. Recovery Manager works from a dedicated recovery partition (select models only) on the hard drive or from recovery discs you create.

 **NOTE:** Computers with a solid-state drive (SSD) may not have a recovery partition. Recovery discs have been included for computers that do not have a partition. Use these discs to recover your operating system and software. To check for the presence of a recovery partition, select **Start**, right-click **Computer**, click **Manage**, and then click **Disk Management**. If the partition is present, an HP Recovery drive is listed in the window.


Creating recovery discs

HP recommends that you create recovery discs to be sure that you can restore your system to its original factory state if you experience serious system failure or instability. Create these discs after setting up the computer for the first time.


Handle these discs carefully and keep them in a safe place. The software allows the creation of only one set of recovery discs.

 **NOTE:** You can use an optional external optical drive (purchased separately) to create recovery discs, or you can purchase recovery discs for your computer from the HP Web site.

Note the following guidelines before creating recovery discs:

 **NOTE:** The external hard drive must be connected to a USB port on the computer, not to a USB port on an external device such as a hub.

- You will need high-quality DVD-R, DVD+R, BD-R (writable Blu-ray), or CD-R discs. All these discs are purchased separately. DVDs and BDs have a much higher capacity than CDs. If you use CDs, up to 20 discs may be required, whereas only a few DVDs or BDs are required.

 **NOTE:** Read-write discs, such as CD-RW, DVD±RW, double-layer DVD±R, and BD-RE (rewritable Blu-ray) discs, are not compatible with the Recovery Manager software.

- The computer must be connected to AC power during this process.
- Only one set of recovery discs can be created per computer.
- Number each disc before inserting it into the optical drive.
- If necessary, you can exit the program before you have finished creating the recovery discs. The next time you open Recovery Manager, you will be prompted to continue the disc creation process.

To create a set of recovery discs:

1. Select **Start > All Programs > Recovery Manager > Recovery Disk Creation**.
2. Follow the on-screen instructions.

Backing up your information

As you add new software and data files, you should back up your system on a regular basis to maintain a reasonably current backup. Back up your system at the following times:

- At regularly scheduled times



NOTE: Set reminders to back up your information periodically.

- Before the computer is repaired or restored
- Before you add or modify hardware or software

Note the following when backing up:

- Create system restore points using the Windows® System Restore feature, and periodically copy them to disc.
- Store personal files in the Documents library and back up this folder periodically.
- Back up templates stored in their associated programs.
- Save customized settings in a window, toolbar, or menu bar by taking a screen shot of your settings. The screen shot can be a time-saver if you have to reset your preferences.

To copy the screen and paste it into a word-processing document, follow these steps:

1. Display the screen.
 2. Copy the screen:
 - To copy only the active window, press **alt+prt sc**.
 - To copy the entire screen, press **prt sc**.
 3. Open a word-processing document, and then select **Edit > Paste**.
 4. Save the document.
- You can back up your information to an optional external hard drive, a network drive, or discs.
 - When backing up to discs, use any of the following types of discs (purchased separately): CD-R, CD-RW, DVD+R, DVD-R, or DVD±RW. The discs you use will depend on the type of optical drive installed in your computer.




NOTE: DVDs store more information than CDs, so using them for backup reduces the number of recovery discs required.

- When backing up to discs, number each disc before inserting it into the optical drive of the computer.


Using Windows Backup and Restore

To create a backup using Windows Backup and Restore, follow these steps:

 **NOTE:** Be sure that the computer is connected to AC power before you start the backup process.


NOTE: The backup process may take over an hour, depending on file size and the speed of the computer.

1. Select **Start > All Programs > Maintenance > Backup and Restore**.
2. Follow the on-screen instructions to set up and create a backup.

 **NOTE:** Windows includes the User Account Control feature to improve the security of your computer. You may be prompted for your permission or password for tasks such as installing software, running utilities, or changing Windows settings. Refer to Help and Support for more information.

Using system restore points


When you back up your system, you are creating a system restore point. A system restore point allows you to save and name a snapshot of your hard drive at a specific point in time. You can then recover back to that point if you want to reverse subsequent changes made to your system.

 **NOTE:** Recovering to an earlier restore point does not affect data files saved or e-mails created since the last restore point.

You also can create additional restore points to provide increased protection for your system files and settings.

When to create restore points

- Before you add or extensively modify software or hardware
- Periodically, whenever the system is performing optimally

 **NOTE:** If you revert to a restore point and then change your mind, you can reverse the restoration.

Create a system restore point


1. Select **Start > Control Panel > System and Security > System**.
2. In the left pane, click **System Protection**.
3. Click the **System Protection** tab.
4. Under **Protection Settings**, select the disk for which you want to create a restore point.
5. Click **Create**.
6. Follow the on-screen instructions.

Restore to a previous date and time


To revert to a restore point (created at a previous date and time), when the computer was functioning optimally, follow these steps:

1. Select **Start > Control Panel > System and Security > System**.
2. In the left pane, click **System protection**.
3. Click the **System Protection** tab.
4. Click **System Restore**.
5. Follow the on-screen instructions.

Performing a recovery

 **NOTE:** You can recover only files that you have previously backed up. HP recommends that you use HP Recovery Manager to create a set of recovery discs (entire drive backup) as soon as you set up your computer.

Recovery Manager software allows you to repair or restore the system if you experience system failure or instability. Recovery Manager works from recovery discs or from a dedicated recovery partition (select models only) on the hard drive. However, if your computer includes a solid-state drive (SSD), you may not have a recovery partition. If that is the case, recovery discs have been included with your computer. Use these discs to recover your operating system and software.

 **NOTE:** Windows has its own built-in repair features, such as System Restore. If you have not already tried these features, try them before using Recovery Manager.


NOTE: Recovery Manager recovers only software that was preinstalled at the factory. Software not provided with this computer must be downloaded from the manufacturer's Web site or reinstalled from the disc provided by the manufacturer.

Recovering from the recovery discs

To restore the system from the recovery discs:

1. Back up all personal files.
2. Insert the first recovery disc into the optical drive and restart the computer.
3. Follow the on-screen instructions.

Recovering from the dedicated recovery partition (select models only)

 **NOTE:** Computers with an SSD may not have a recovery partition. If the computer does not have a recovery partition, you will not be able to recover using this procedure. Recovery discs have been included for computers that do not have a partition. Use these discs to recover your operating system and software.

On some models, you can perform a recovery from the partition on the hard drive, accessed by pressing either the Start button or **f11**. This restores the computer to its factory condition.

To restore the system from the partition, follow these steps:

1. Access Recovery Manager in either of the following ways:
 - Select **Start > All Programs > Recovery Manager > Recovery Manager**.
 - or –
 - Turn on or restart the computer, and then press **esc** while the “Press the ESC key for Startup Menu” message is displayed at the bottom of the screen. Then, press **f11** while the “Press <F11> for recovery” message is displayed on the screen.
2. Click **System Recovery** in the **Recovery Manager** window.
3. Follow the on-screen instructions.

8 Power cord set requirements

The wide range input feature of the computer permits it to operate from any line voltage from 100 to 120 volts AC or from 220 to 240 volts AC.

The 3-conductor power cord set included with the computer meets the requirements for use in the country or region where the equipment is purchased.

Power cord sets for use in other countries or regions must meet the requirements of the country or region where the computer is used.

Requirements for all countries or regions

The requirements listed below are applicable to all countries or regions:

- The length of the power cord set must be at least 1.5 m (5.0 ft) and no more than 2.0 m (6.5 ft).
- All power cord sets must be approved by an acceptable accredited agency responsible for evaluation in the country or region where the power cord set will be used.
- The power cord sets must have a minimum current capacity of 10 amps and a nominal voltage rating of 125 or 250 V AC, as required by each country or region's power system.
- The appliance coupler must meet the mechanical configuration of an EN 60 320/IEC 320 Standard Sheet C13 connector for mating with the appliance inlet on the back of the computer.

Requirements for specific countries or regions

Country/region	Accredited agency	Applicable note number
Australia	EANSW	1
Austria	OVE	1
Belgium	CEBC	1
Canada	CSA	2
Denmark	DEMKO	1
Finland	FIMKO	1
France	UTE	1
Germany	VDE	1
Italy	IMQ	1
Japan	METI	3
The Netherlands	KEMA	1
Norway	NEMKO	1
The People's Republic of China	CCC	5
South Korea	EK	4
Sweden	SEMKO	1
Switzerland	SEV	1
Taiwan	BSMI	4
The United Kingdom	BSI	1
The United States	UL	2

1. The flexible cord must be Type HO5VV-F, 3-conductor, 1.0-mm² conductor size. Power cord set fittings (appliance coupler and wall plug) must bear the certification mark of the agency responsible for evaluation in the country or region where it will be used.
2. The flexible cord must be Type SPT-3 or equivalent, No. 18 AWG, 3-conductor. The wall plug must be a two-pole grounding type with a NEMA 5-15P (15 A, 125 V) or NEMA 6-15P (15 A, 250 V) configuration.
3. The appliance coupler, flexible cord, and wall plug must bear a "T" mark and registration number in accordance with the Japanese Dentori Law. The flexible cord must be Type VCT or VCTF, 3-conductor, 1.00-mm² conductor size. The wall plug must be a two-pole grounding type with a Japanese Industrial Standard C8303 (7 A, 125 V) configuration.
4. The flexible cord must be Type RVV, 3-conductor, 0.75-mm² conductor size. Power cord set fittings (appliance coupler and wall plug) must bear the certification mark of the agency responsible for evaluation in the country or region where it will be used.
5. The flexible cord must be Type VCTF, 3-conductor, 0.75-mm² conductor size. Power cord set fittings (appliance coupler and wall plug) must bear the certification mark of the agency responsible for evaluation in the country or region where it will be used.

9 Recycling

Battery

When a battery has reached the end of its useful life, do not dispose of the battery in general household waste. Follow the local laws and regulations in your area for computer battery disposal.

Display

⚠ WARNING! The backlight contains mercury. Exercise caution when removing and handling the backlight to avoid damaging this component and causing exposure to the mercury.

⚠ CAUTION: The procedures in this chapter can result in damage to display components. The only components intended for recycling purposes are the liquid crystal display (LCD) panel and the backlight. When you remove these components, handle them carefully.

📝 NOTE: Materials Disposal. This HP product contains mercury in the backlight in the display assembly that might require special handling at end-of-life. Disposal of mercury may be regulated because of environmental considerations. For disposal or recycling information, contact your local authorities, or see the Electronic Industries Alliance (EIA) Web site at <http://www.eiae.org>.

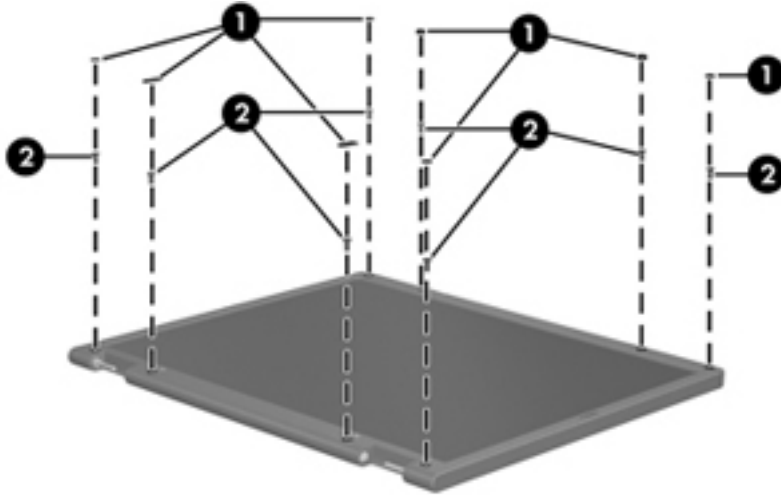
This section provides disassembly instructions for the display assembly. The display assembly must be disassembled to gain access to the backlight (**1**) and the liquid crystal display (LCD) panel (**2**).



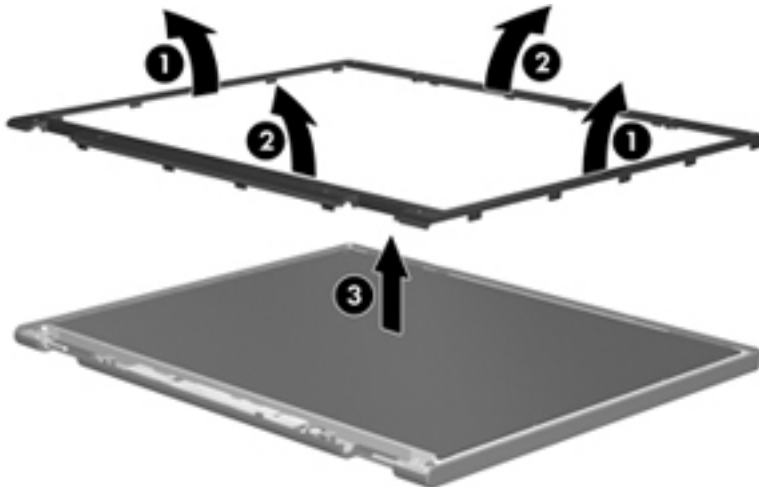
📝 NOTE: The procedures provided in this chapter are general disassembly instructions. Specific details, such as screw sizes, quantities, and locations, and component shapes and sizes, can vary from one computer model to another.

Perform the following steps to disassemble the display assembly:

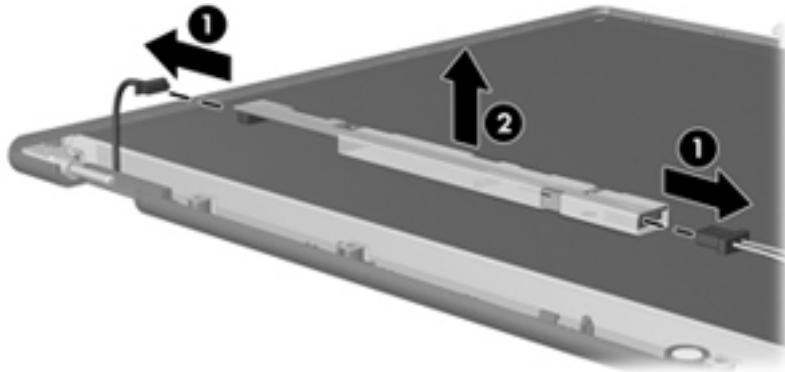
1. Remove all screw covers (1) and screws (2) that secure the display bezel to the display assembly.



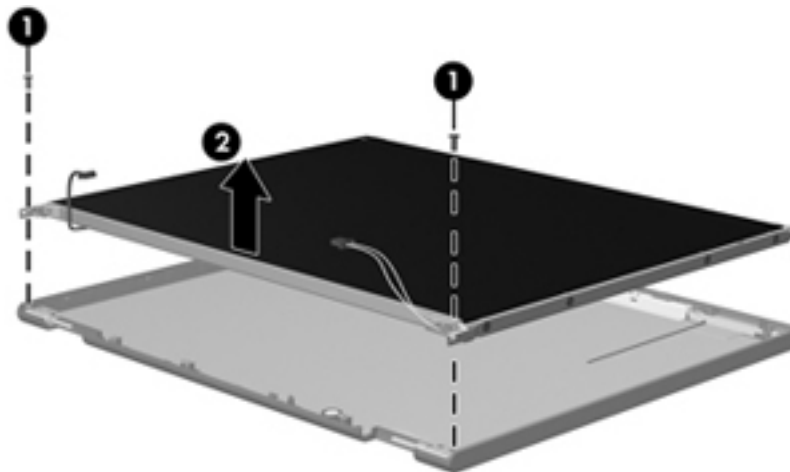
2. Lift up and out on the left and right inside edges (1) and the top and bottom inside edges (2) of the display bezel until the bezel disengages from the display assembly.
3. Remove the display bezel (3).



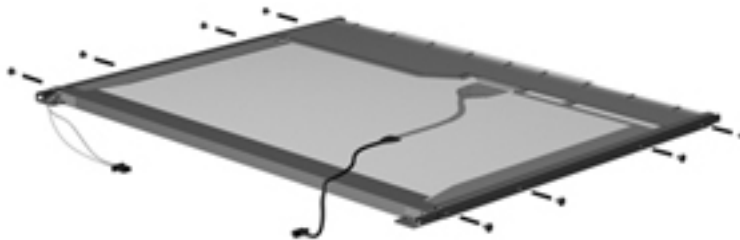
4. Disconnect all display panel cables (1) from the display inverter and remove the inverter (2).



5. Remove all screws (1) that secure the display panel assembly to the display enclosure.
6. Remove the display panel assembly (2) from the display enclosure.

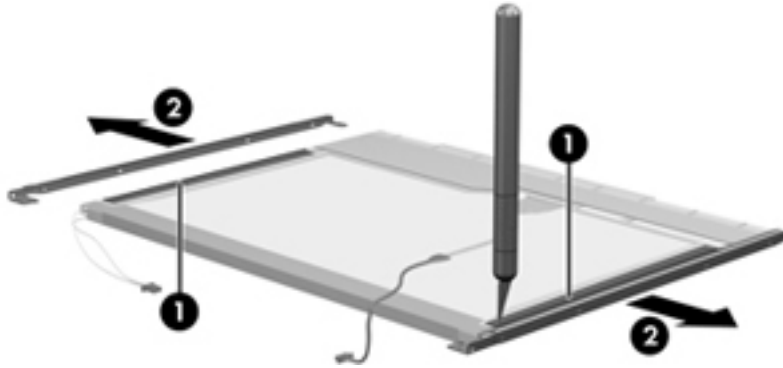


7. Turn the display panel assembly upside-down.
8. Remove all screws that secure the display panel frame to the display panel.

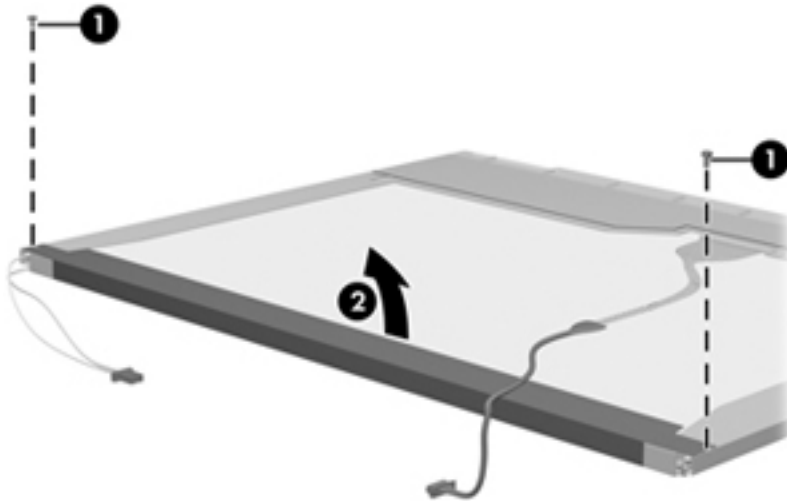


9. Use a sharp-edged tool to cut the tape (1) that secures the sides of the display panel to the display panel frame.

10. Remove the display panel frame (2) from the display panel.

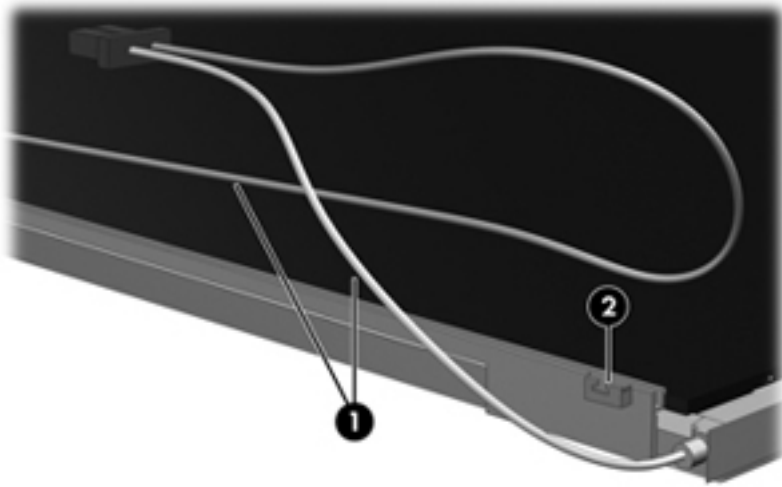


11. Remove the screws (1) that secure the backlight cover to the display panel.
12. Lift the top edge of the backlight cover (2) and swing it outward.



13. Remove the backlight cover.
14. Position the display panel right-side up.

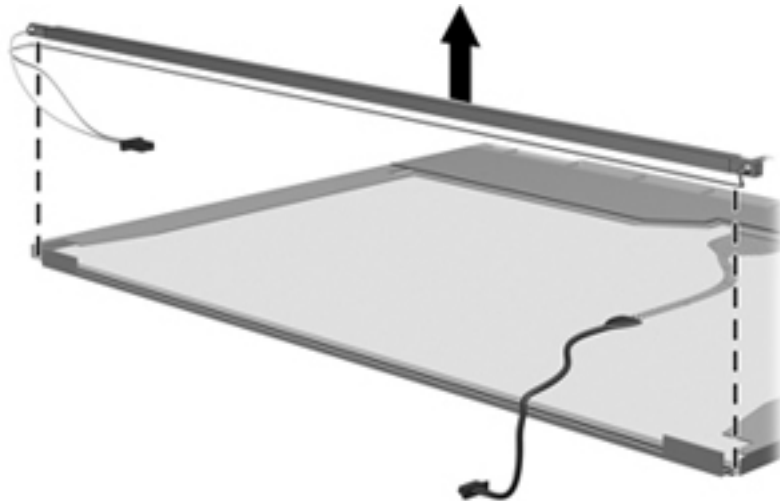
15. Remove the backlight cables (1) from the clip (2) in the display panel.



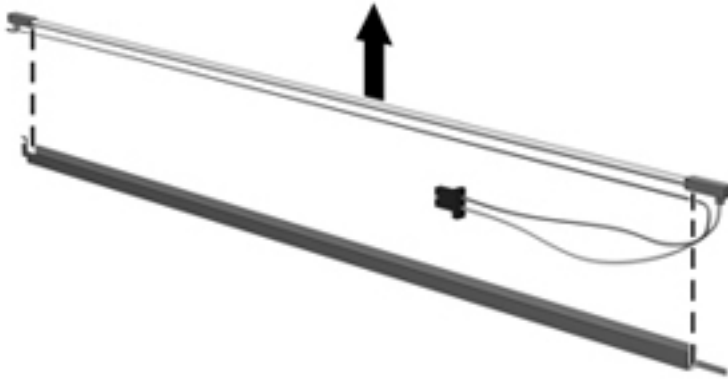
16. Turn the display panel upside-down.

⚠ WARNING! The backlight contains mercury. Exercise caution when removing and handling the backlight to avoid damaging this component and causing exposure to the mercury.

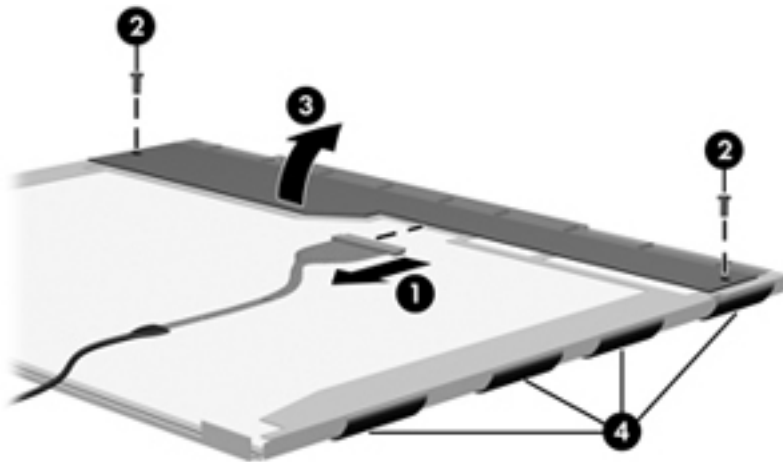
17. Remove the backlight frame from the display panel.



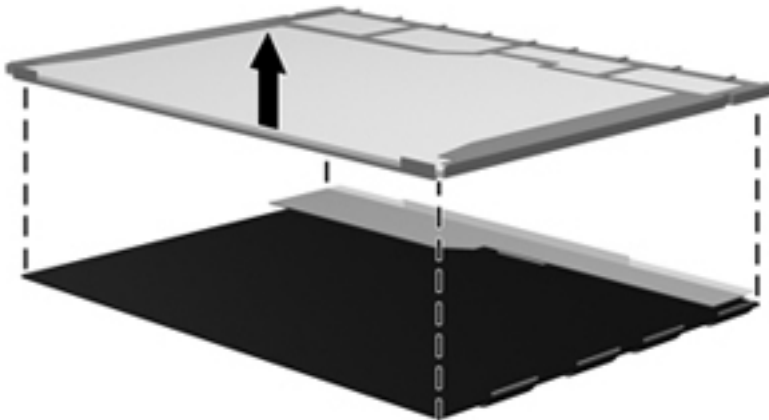
18. Remove the backlight from the backlight frame.



19. Disconnect the display panel cable (1) from the LCD panel.
20. Remove the screws (2) that secure the LCD panel to the display rear panel.
21. Release the LCD panel (3) from the display rear panel.
22. Release the tape (4) that secures the LCD panel to the display rear panel.



23. Remove the LCD panel.



24. Recycle the LCD panel and backlight.

Index

Symbols/Numerics

1394 Power Saving 84

A

AC adapter

spare part numbers 24

AC adapter, spare part numbers
23

action keys, identifying 8

administrator password 84

audio, product description 3

audio-in (microphone) jack 11

audio-out (headphone) jack 11

audio/USB 2.0 board

removal 63

spare part number 18, 63

B

backing up

customized window, toolbar,
and menu bar settings 95

personal files 95

templates 95

base enclosure, spare part

number 19, 25

battery

removal 36

spare part number 26

spare part numbers 19, 36

battery bay 14

battery light 10

battery release latch 14

bezel

illustrated 20

spare part number 20, 57

Blu-ray ROM with LightScribe DVD

±R/RW Super Multi Double-Layer

Drive

specifications 90

Blu-ray ROM with LightScribe DVD

±R/RW SuperMulti DL Drive

spare part number 19, 22, 26

boot options 85

boot order 85

button sound 84

buttons

left TouchPad 5

power 7

QuickLook 7

right TouchPad 5

C

Cable Kit, spare part number 26

cables, service considerations 30

camera

product description 3

removal 58

spare part number 58

caps lock light, identifying 6

Card Reader Power Saving 84

components

bottom 14

display 13

front 5, 9

left side 11

rear 12

right side 9

top 5

computer feet

locations 35

spare part number 35

computer specifications 87

connector, power 10

connectors, service

considerations 30

D

default settings, restoring 82

Diagnostics menu 85

digital media slot, identifying 9

diskette drive

precautions 30

display assembly

removal 55

spare part number 17, 55

display back cover, spare part

number 21

display bezel

illustrated 20

spare part number 20, 26, 57

display bracket

removal 59

spare part number 25

display bracket and hinge

removal 59

Display Cable Kit, spare part

number 25

display component recycling 101

display components

illustrated 20

spare part numbers 20

display enclosure

illustrated 20

spare part number 20, 25

display hinge cover, spare part

number 25

display panel

illustrated 20

product description 2

removal 59

spare part number 59

Display Screw Kit, spare part

number 21, 26

display specifications 88

drive light 9

- drives
 - boot order 85
 - preventing damage 30
- DVD±RW SuperMulti Double-Layer Drive with LightScribe
 - removal 42
 - spare part number 19, 22, 26
 - specifications 91
- E**
 - electrostatic discharge 31
 - esc key, identifying 8
 - Ethernet, product description 3
 - external media cards, product description 3
 - external monitor port, identifying 10
- F**
 - f11 97, 98
 - fan always on 85
 - fan/heat sink assembly
 - removal 74
 - spare part number 19, 74
 - feet
 - locations 35
 - spare part number 35
 - fn key, identifying 8
 - front components 5
 - full system recovery 93
- G**
 - graphics, product description 1
 - grounding equipment and methods 33
- H**
 - hard drive
 - precautions 30
 - product description 2
 - removal 39
 - spare part numbers 19, 22, 24, 25, 39
 - specifications 89
 - hard drive bay, identifying 14
 - hard drive cable, spare part number 19, 22, 26, 39
 - hard drive cover
 - illustrated 21
 - removal 40
 - hard drive self test 85
- HDMI port, identifying 10
- heat sink, spare part numbers 26
- I**
 - integrated webcam light, identifying 13
 - internal microphones, identifying 13
- J**
 - jacks
 - audio-in (microphone) 11
 - audio-out (headphone) 11
 - network 10
 - RJ-45 (network) 10
- K**
 - keyboard
 - product description 3
 - removal 44
 - spare part numbers 17, 44
 - keys
 - action 8
 - esc 8
 - fn 8
 - Windows applications 8
 - Windows logo 8
- L**
 - LAN Power Saving 84
 - language support 84
 - latch, battery release 14
 - lights
 - battery 10
 - caps lock 6
 - drive 9
 - mute 6
 - power 6, 9
 - webcam 13
 - wireless 6
- M**
 - Main menu 84
 - Mass storage device connector
 - cables
 - removal 78
 - spare part number 78
 - mass storage devices, spare part numbers 22
 - memory module
 - product description 2
 - removal 37
 - spare part numbers 19, 25, 37
 - Memory module compartment
 - cover
 - illustrated 21
 - memory module compartment cover
 - removal 37
 - spare part number 20, 37
 - memory module compartment, identifying 14
 - memory test 85
 - microphone, product description 3
 - model name 1
 - mute light, identifying 6
 - N**
 - network jack, identifying 10
 - O**
 - operating system, product description 4
 - optical drive
 - ejecting 11
 - identifying 11
 - precautions 30
 - product description 2
 - removal 42
 - spare part numbers 19, 22, 26, 42
 - specifications 90, 91
 - optical drive light, identifying 11
 - P**
 - packing guidelines 32
 - passwords 84
 - performing a recovery 97
 - plastic parts 29
 - Plastics Kit
 - contents 21
 - spare part number 21, 25
 - pointing device, product description 3
 - ports
 - external monitor port 10
 - HDMI 10
 - product description 3
 - USB 9, 11

- power button board
 - removal 51
 - spare part number 18, 25, 51
- power button, identifying 7
- power connector cable
 - removal 69
 - spare part number 69
- power connector, identifying 10
- power cord
 - spare part numbers 23
- power cord set requirements 99
- power light, identifying 6, 9
- power requirements, product description 4
- power-on password 84
- processor
 - removal 76
 - spare part numbers 18, 25, 76
- Processor C6 State 84
- product description
 - audio 3
 - camera 3
 - display panel 2
 - Ethernet 3
 - external media cards 3
 - graphics 1
 - hard drives 2
 - keyboard 3
 - memory module 2
 - microphone 3
 - operating system 4
 - optical drives 2
 - pointing devices 3
 - ports 3
 - power requirements 4
 - product name 1
 - security 4
 - serviceability 4
 - wireless 3
- product name 1
- Q**
- QuickWeb button, identifying 7
- R**
- recovering
 - a program or driver 93
 - from the dedicated recovery partition 97
 - from the recovery discs 97
- recovery discs 93, 94
- Recovery Manager 93, 97
- recovery partition 93
- recovery, system 97
- removal/replacement
 - preliminaries 29
 - procedures 34
- restore points 96
- RJ-45 (network) jack, identifying 10
- RTC battery
 - removal 48
 - spare part number 48
- Rubber Feet Kit, spare part number 26, 35
- S**
- Screw Kit, spare part number 26
- secondary hard drive self test 85
- security 9
- security lock bracket
 - removal 67
 - spare part number 67
- Security menu 84
- security, product description 4
- serial number 15, 34
- service considerations 29
- serviceability, product description 4
- Setup Utility
 - changing the language 81
 - displaying system information 82
 - exiting 83
 - menus 84
 - navigating 82
 - restoring default settings 82
 - selecting 82
 - starting 81
- slots
 - digital media 9
- solid-state drive (SSD) 93, 97
- speaker assembly
 - removal 62
 - spare part number 18, 26, 62
- speaker hole, identifying 9
- specifications
 - Blu-ray ROM with LightScribe DVD±R/RW Super Multi Double-Layer Drive 90
 - computer 87
 - display 88
 - DVD±RW SuperMulti Double-Layer Drive with LightScribe specifications 91
 - hard drive 89
 - optical drive 90, 91
 - system resources 92
- static-shielding materials 33
- supported discs 94
- system board
 - removal 71
 - spare part number 18, 71
- System Configuration menu 84
- system failure or instability 93
- system information, displaying 82, 84
- system recovery 97
- system resources 92
- system restore points 93, 96
- T**
- thermal module, spare part number 19, 26
- thermal paste, replacement 76
- tools required 29
- top cover
 - removal 49
 - spare part number 18, 25, 49
- TouchPad
 - buttons 5
- TouchPad button board
 - removal 53
 - spare part number 25, 53
- TouchPad buttons, identifying 5
- TouchPad icon, identifying 5
- TouchPad LED board
 - removal 65
 - spare part number 25, 65
- TouchPad light 5
- TouchPad zone, identifying 5
- transporting guidelines 32
- U**
- USB 3.0 board
 - removal 64
 - spare part numbers 64
- USB port, identifying 9
- using system restore 96

V

vents, identifying 12, 14
Virtualization Technology 84

W

webcam light, identifying 13
webcam module
 identifying 13
 removal 58
 spare part number 20, 25, 58
Windows applications key,
 identifying 8
Windows logo key, identifying 8
wireless antenna, removal 60
wireless light 6
wireless, product description 3
WLAN antennas, identifying 13
WLAN module
 removal 46
 spare part numbers 17, 24, 46
workstation guidelines 32

