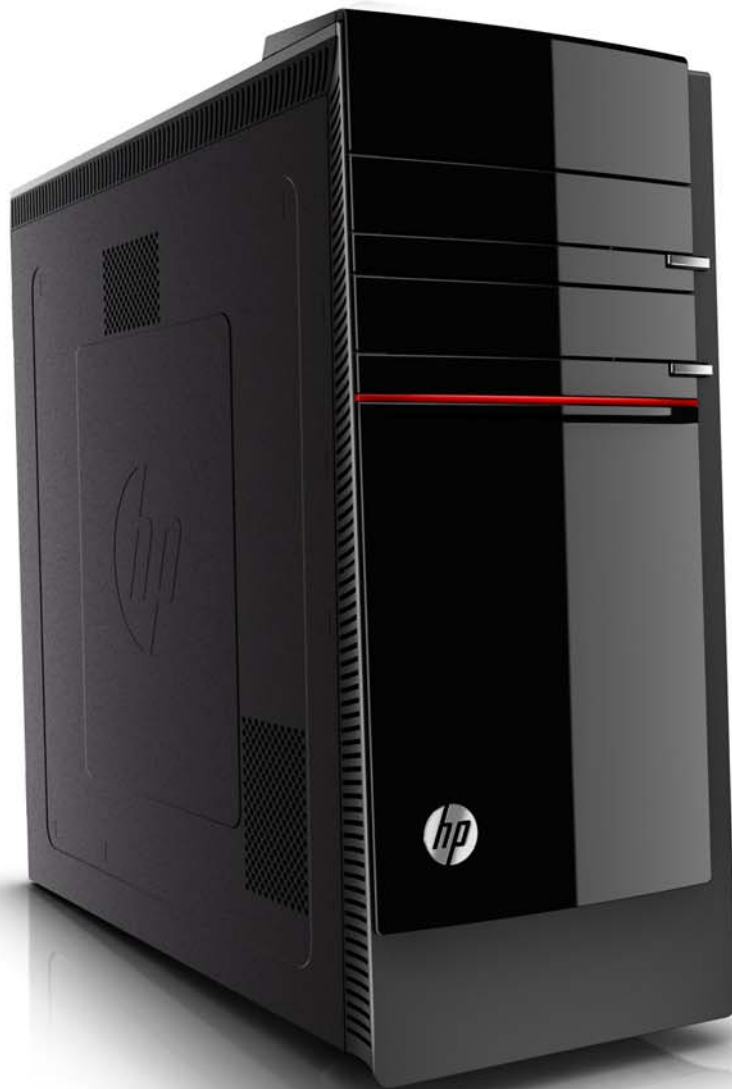




# UPGRADING AND SERVICING GUIDE



Copyright © 2011 Hewlett-Packard Development Company, L.P.

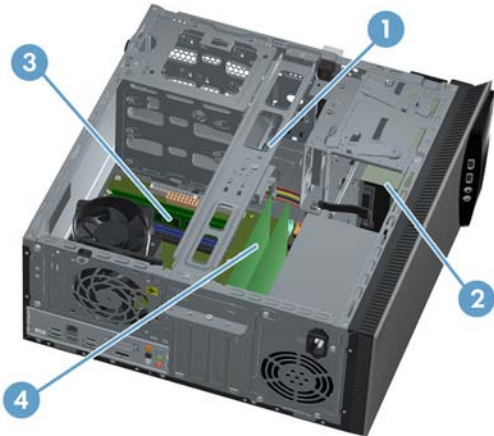
The information contained herein is subject to change without notice.

Part Number: 655130-001

Version: 1.0

---

# Upgrading and Servicing Guide



HP Elite 7300 MT

HP Pavilion HPE h8-1000 Series PC

Computer features may vary by model.

- [Removing and Replacing a Hard Disk Drive on page 2](#)
- [Removing and Replacing a CD/DVD Drive on page 9](#)
- [Upgrading or Replacing Memory on page 14](#)
- [Upgrading or Replacing an Add-in Card on page 18](#)

# Removing and Replacing a Hard Disk Drive

Computer features may vary by model.



15 - 20 minutes

## Before you begin

Observe the following requirements before removing and replacing the hard disk drive.

**⚠ WARNING!** Never open the cover with the power applied. You might damage your computer or be injured by the spinning the fan blades.

**⚠ WARNING!** Avoid touching sharp edge inside the computer.

**⚠ WARNING!** Keep your hands away from the moving fan.

**⚠ WARNING!** Keep fingers and tools clear of the fan when the power is applied.

**⚠ CAUTION:** Static electricity can damage the electronic components inside the computer. Discharge static electricity by touching the metal cage of the computer before touching any internal parts or electronic components.

**✍ IMPORTANT:** A hard disk drive is extremely sensitive to shock impact. Do not bang or drop it. Do not touch the circuit board. Static electricity can damage the drive.

## Tools Needed

- Flathead/T15 Torx screwdriver

Small screws are easily lost. Remove screws over a surface that enables you to retrieve them if they fall.

## Removing the hard disk drive

1. Remove any media or storage devices such as CDs, DVDs, and USB.
2. Close all programs, and then shut down your operating system.
3. Unplug the computer by disconnecting the power cord and all attached cables from the back of the computer.



4. Using a flathead or Torx screwdriver, loosen the screw on the back panel that secures the panel to the computer.



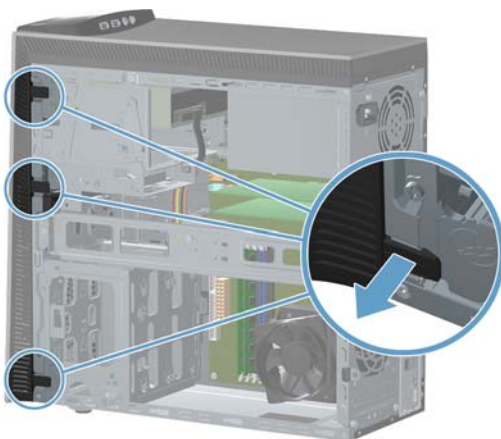
5. Slide the side panel toward the back of the computer, and then pull the side panel away from the computer.



The inside of the computer is exposed.



6. Lift the three tabs on the front bezel to release it.

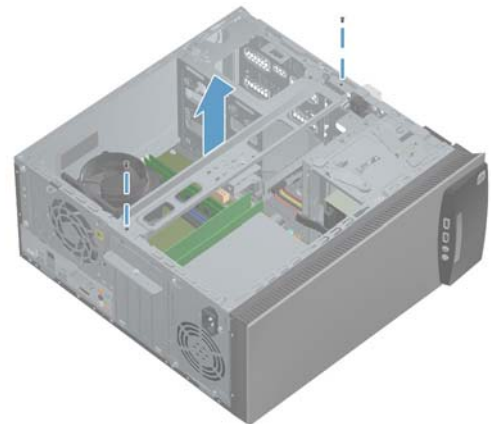


7. Open the front bezel, and then remove it from the computer.

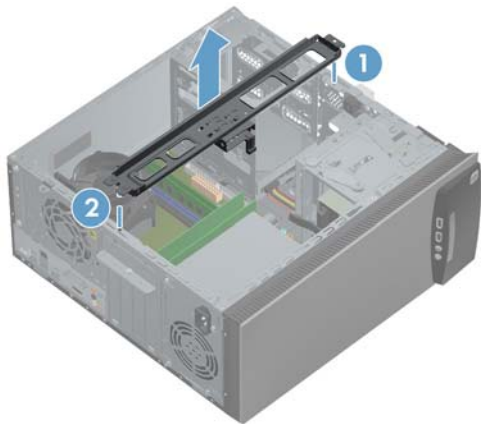


8. Lay the computer on a flat surface.

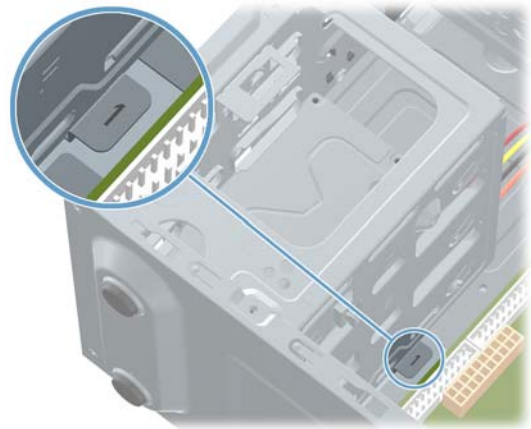
9. Remove the two screws holding the retaining bar in place.



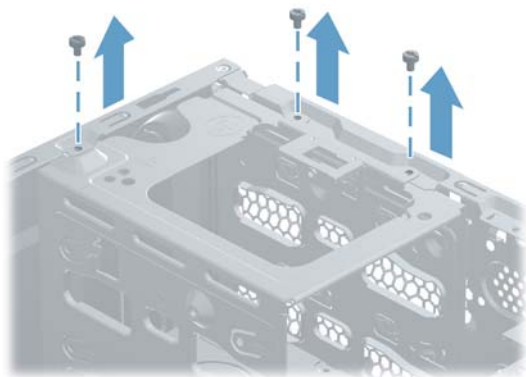
- 10.** Lift the retaining bar at the front of the computer (1), and then remove it from the back of the computer (2).



- 12.** Using a screwdriver, push the lever marked “1” on the base of the right side of the hard drive cage by the motherboard.

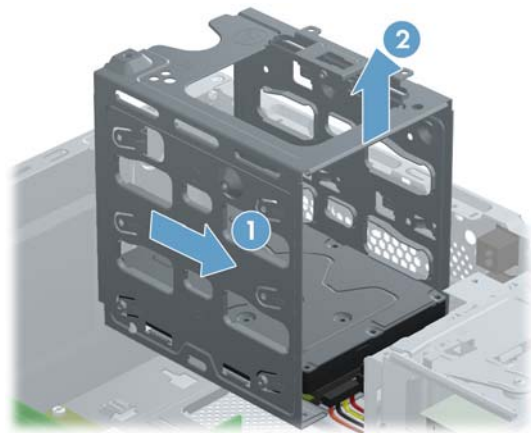


- 11.** Remove the three screws that attach the hard disk drive cage to the computer.

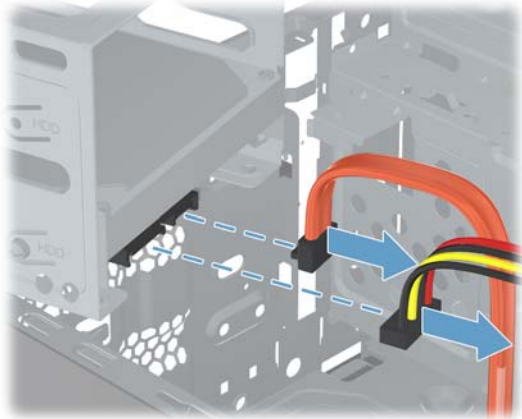


**NOTE:** Some models may have only two screws attaching the hard disk drive cage to the computer.

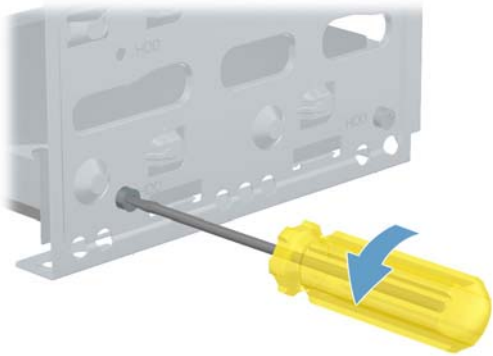
- 13.** Grasp the hard drive cage and slide the cage toward the CD/DVD drive (1), and then lift the cage out of the computer (2).



- 14.** Disconnect the two cables from the end of the hard disk drive. The cables may have a latch that is pressed to release the cable.



- 15.** To remove the hard disk drive from the cage, remove two screws on each side of the cage that secure the hard disk drive to the cage.



- 16.** Slide the hard disk drive out of the cage.

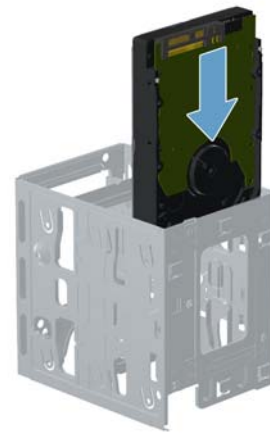


**NOTE:** Keep the four screws available as they will be used in the new hard drive.

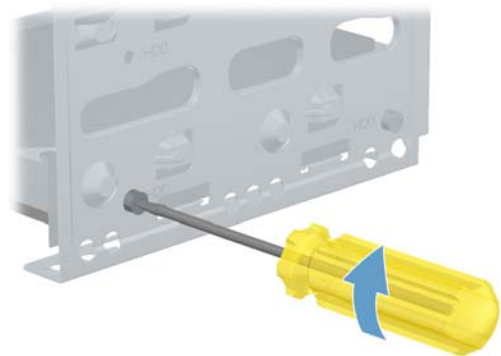
## Installing a new hard disk drive

**NOTE:** The replacement part may look different than the original part because of manufacturer or model differences; however, the replacement part meets or exceeds the specifications of the original part.

- 1.** Insert the new hard drive into the hard drive cage, making sure that the connectors on the hard drive are on the same end of the cage as the handle. The hard drive rests on the metal tabs located inside the cage.

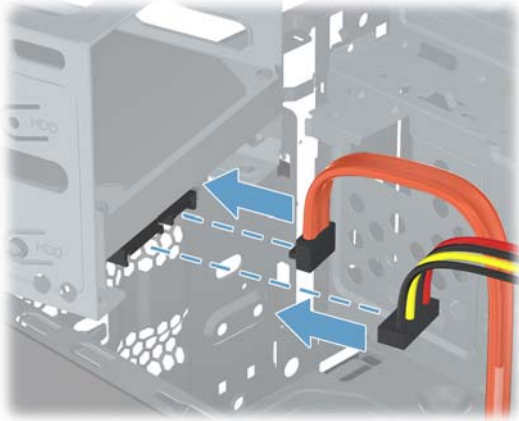


- 2.** Install the four screws that secure the hard drive to the cage.

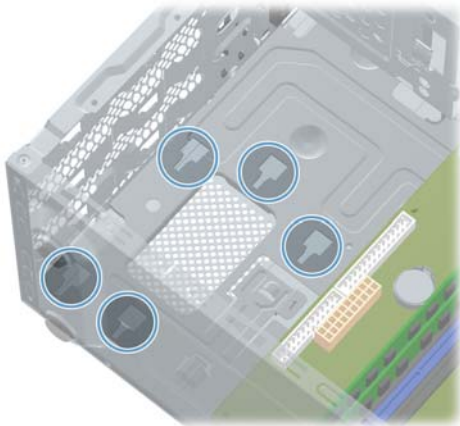




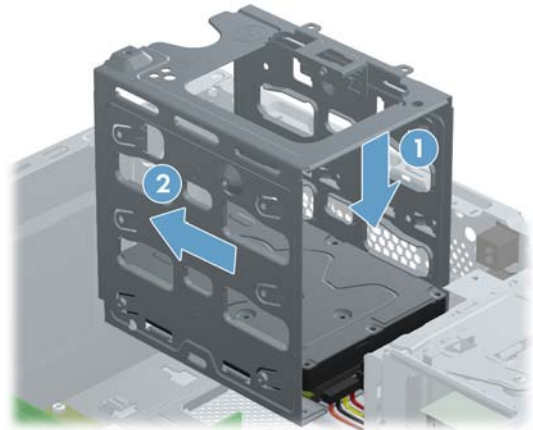
3. Reattach the cables to the bottom end of the hard disk drive.



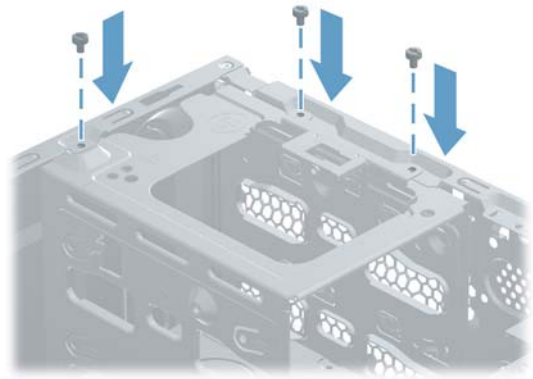
4. Set the hard drive cage down into the bay, aligning the tabs on the bottom of the cage with the slots on the chassis.



5. Once the cage is set on the slots (1), press down and slide the cage toward the bottom of the computer until it stops (2), ensuring that the three screw holes are aligned.

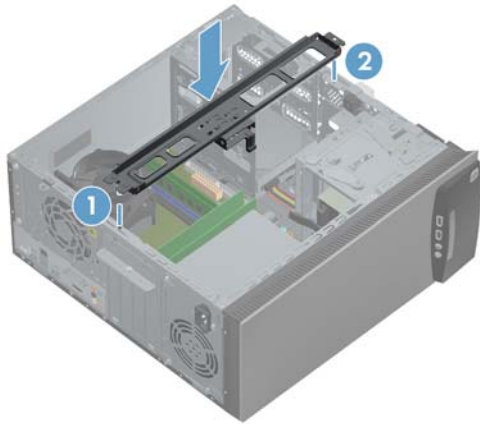


6. Using a flathead or Torx screwdriver, secure the hard disk drive cage in place.

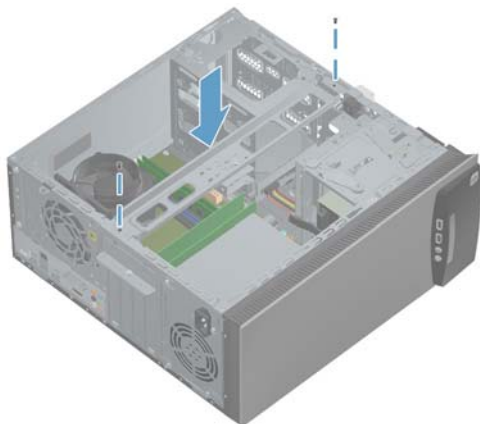




7. Insert the retaining bar in the back of the computer (1), and then align the screw holes at the front of the computer (2).



8. Insert the two screws, securing the retaining bar in place.




9. Place the computer in an upright position.

10. Insert the three tabs on the bezel door into the slots on the computer, and then close the bezel door until it locks in place.



11. Install the side panel on the side of the computer, and then slide it toward the front of the computer.



 **NOTE:** Make sure the panel is flush with the computer. Failure to do so might cause the panel to bend slightly outward and not close securely.

**12.** Tighten the screw, securing the side panel to the back of the computer.



**13.** Plug the power cord and any additional cables into the back of the computer.



**14.** Press the power button to turn on the computer.



**NOTE:** If your hard disk drive was shipped without an operating system installed, you will need to reinstall it using the system recovery discs.

To install the operating system, refer to the instructions included with your system recovery discs, or available from the HP support site ([www.hp.com/support](http://www.hp.com/support)).

After the operating system has been installed, you will need to reinstall any applications and restore any data you backed up.

**TASK COMPLETED**



# Removing and Replacing a CD/DVD Drive

Computer features may vary by model.



10 – 15 minutes

## Before you begin

Observe the following requirements before removing and replacing the CD/DVD drive.

**WARNING!** Never open the cover with the power applied. You might damage your computer or be injured by the spinning the fan blades.

**WARNING!** Avoid touching sharp edge inside the computer.

**WARNING!** Keep your hands away from the moving fan.

**WARNING!** Keep fingers and tools clear of the fan when the power is applied.

**CAUTION:** Static electricity can damage the electronic components inside the computer. Discharge static electricity by touching the metal cage of the computer before touching any internal parts or electronic components.

**IMPORTANT:** A CD/DVD drive is extremely sensitive to shock impact. Do not bang or drop it.

## Tools Needed

- Flathead/T15 Torx screwdriver

Small screws are easily lost. Remove screws over a surface that enables you to retrieve them if they fall.

## Removing the CD/DVD drive

1. Remove any media or storage devices such as CDs, DVDs, and USB.
2. Close all programs, and then shut down your operating system.
3. Unplug the computer by disconnecting the power cord and all attached cables from the back of the computer.



4. Using a flathead or Torx screwdriver, loosen the screw at the back of the computer that secures the side panel to the computer.



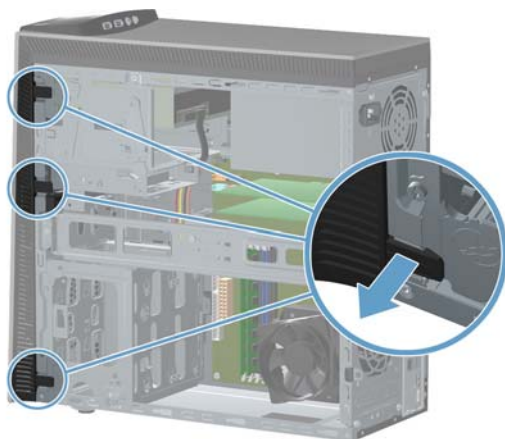
5. Slide the side panel toward the back of the computer, and then pull the side panel away from the computer.



The inside of the computer is exposed.



6. Lift the three tabs on the front bezel to release it.



7. Open the front bezel, and then remove it from the computer.

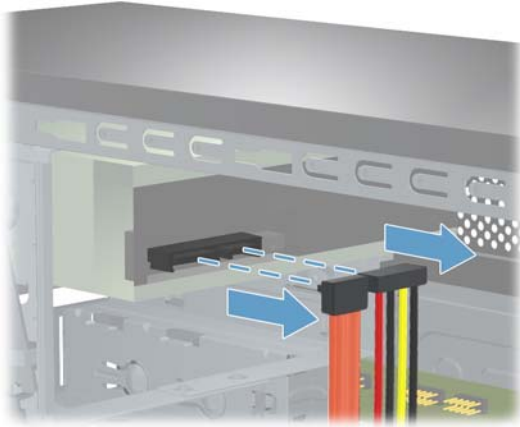


8. To unlock the CD/DVD drive, pull "Lever A" slightly out and release the lever in the center position. Numbers "1" and "2" will both be exposed.

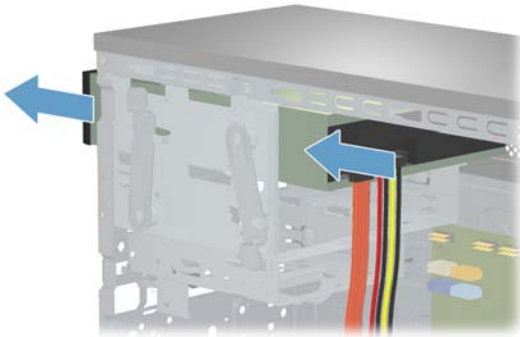


If you have more than one CD/DVD drive to remove, repeat this step. However, instead of moving "Lever A", move "Lever B."

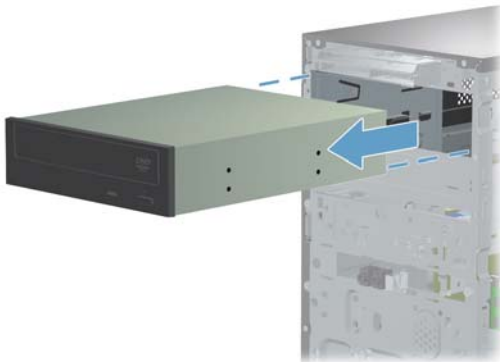
9. Remove the cables from the back of the CD/DVD drive. The cables may have a latch that is pressed to release the cable.




10. Push the CD/DVD drive from behind.



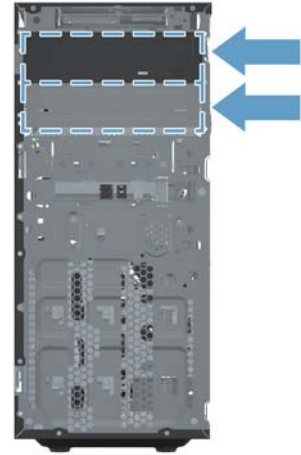
11. Pull the CD/DVD drive out the front of the computer.



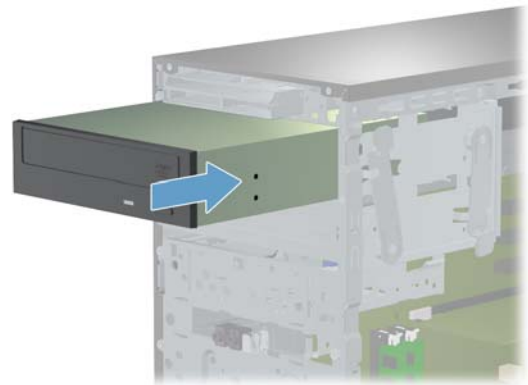
## Installing a new CD/DVD drive

 **NOTE:** The replacement part may look different than the original part because of manufacturer or model differences; however, the replacement part meets or exceeds the specifications of the original part.

1. Locate where the CD/DVD drive is to be inserted.



2. Insert the new CD/DVD drive into the slot.



- 3.** Slide the CD/DVD drive all the way into the slot.

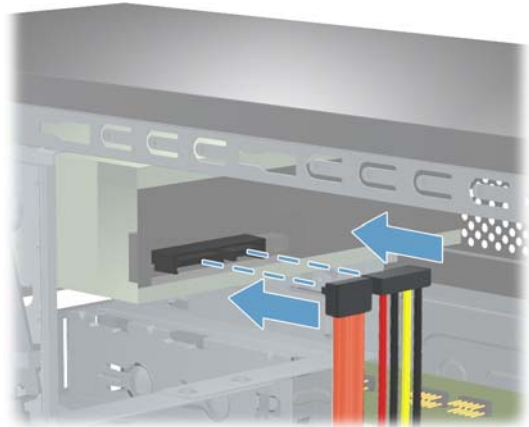


- 4.** To lock the CD/DVD drive in place, move "Lever A" to the number "2" position. Slide the CD/DVD drive out slightly until "Lever A" latches into position to secure the drive.



If you have more than one CD/DVD drive to install, repeat this step. However, instead of moving "Lever A", move "Lever B."

- 5.** Connect the cables to the back of the CD/DVD drive.




- 6.** Reattach the front bezel by inserting the three tabs into the slots on the computer, and then close the bezel door until it locks in place.



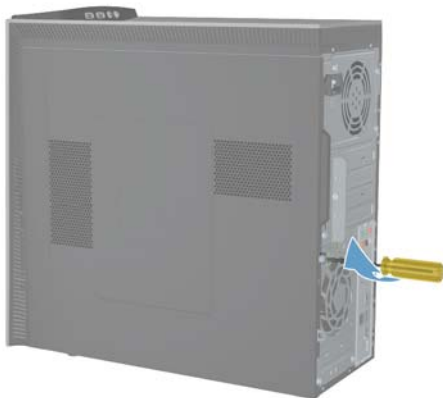


7. Install the side panel on the side of the computer, and then slide it toward the front of the computer.



 **NOTE:** Make sure the panel is flush with the computer. Failure to do so might cause the panel to bend slightly outward and not close securely.

8. Tighten the screw, securing the side panel to the back of the computer.



9. Plug the power cord and any additional cables into the back of the computer.



10. Press the power button to turn on the computer.



 **TASK COMPLETED**



# Upgrading or Replacing Memory

Computer features may vary by model.



10 - 15 minutes

## Before you begin

Observe the following requirements before removing and replacing memory.

**⚠ WARNING!** Never open the cover with the power applied. You might damage your computer or be injured by the spinning the fan blades.

**⚠ WARNING!** Avoid touching sharp edge inside the computer.

**⚠ WARNING!** Keep your hands away from the moving fan.

**⚠ WARNING!** Keep fingers and tools clear of the fan when the power is applied.

**⚠ CAUTION:** Static electricity can damage the electronic components inside the computer. Discharge static electricity by touching the metal cage of the computer before touching any internal parts or electronic components.

**🔧 IMPORTANT:** A memory card is extremely sensitive to shock impact. Do not bang or drop it. Static electricity can damage the card.

## Tools Needed

- Flathead/T15 Torx screwdriver

Small screws are easily lost. Remove screws over a surface that enables you to retrieve them if they fall.

## Memory Compatibility

Verify that the memory installed is compatible with this computer. SO-DIMMs are small outline dual inline memory modules. They are smaller and thinner than

most other DIMMs, so that they take less space in the case. SO-DIMM modules must meet the following requirements:

- 204-pin DDR3-DIMM
- PC3-10600 (1333 MHz) DDR3-SDRAM
- Unbuffered, non-ECC (64-bit) DIMMs
- 1.5 V memory only
- 16.0 GB maximum installable memory using 4GB Modules. Actual available memory that can be used in Windows will be less.

Because the memory uses dual channels, you should use the same DIMM type for both sockets.

**📝 NOTE:** The actual memory transfer speed can vary based on the CPU used in your computer.

## Removing the memory

1. Remove any media or storage devices such as CDs, DVDs, and USB.
2. Close all programs, and then shut down your operating system.
3. Unplug the computer by disconnecting the power cord and all attached cables from the back of the computer.



- Using a flathead or Torx screwdriver, loosen the screw at the back of the computer that secures the side panel to the computer.



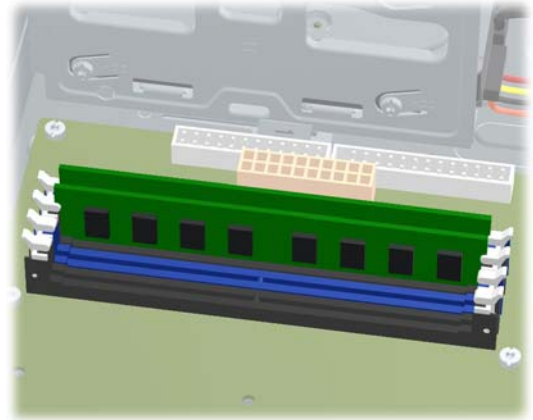
- Slide the side panel toward the back of the computer, and then pull the side panel away from the computer.



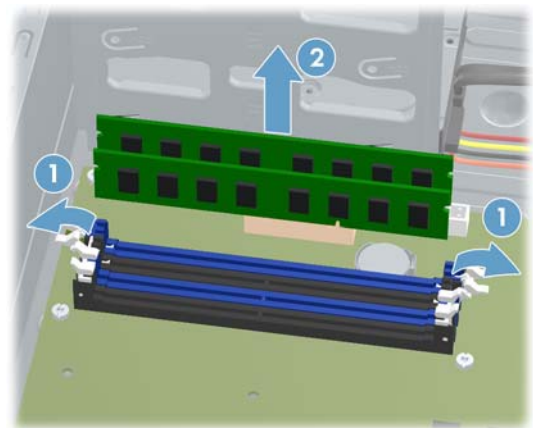
The inside of the computer is exposed.



- Lay the computer on a flat surface.
- Locate the memory inside the computer.



- To release the memory card, press outwards on the retaining clips on the left and right sides of the top memory card (1). Holding the memory card by the edges, gently remove it from the compartment (2).



- To remove additional memory cards, repeat step 8.

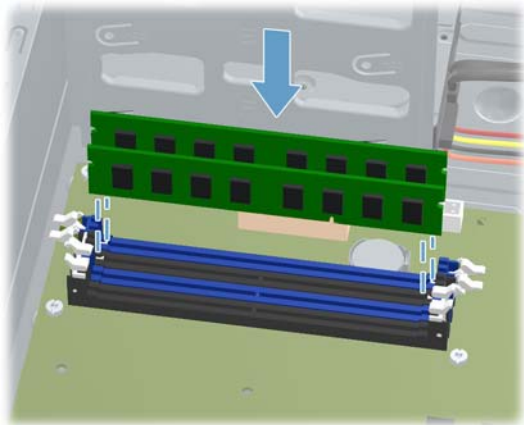
## Installing a new memory card

**NOTE:** The replacement part may look different than the original part because of manufacturer or model differences; however, the replacement part meets or exceeds the specifications of the original part.

1. Orient the new memory card so that the notch in the memory card aligns with the tab in the socket.



2. Holding the memory card by the edges, press the card into the socket. Make sure the memory card is pressed completely into the socket, and then gently push down on the card until it snaps in place.



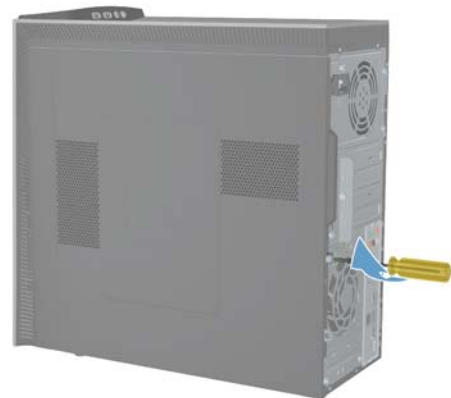
3. If you are replacing more than one memory card, repeat step 2 for each memory card.
4. Place the computer in an upright position.

5. Install the side panel on the side of the computer, and then slide it toward the front of the computer.



**NOTE:** Make sure the panel is flush with the computer. Failure to do so might cause the panel to bend slightly outward and not close securely.

6. Tighten the screw, securing the side panel to the back of the computer.



7. Plug the power cord and any additional cables into the back of the computer.



8. Press the power button to turn on the computer.



## Troubleshooting

If the computer displays a memory error after you have turned it back on:

1. Turn the computer off and unplug the power cord.
2. Open up the memory compartment and make sure the memory card is firmly seated.
3. To install the memory card correctly, make sure it is inserted all the way into the compartment and then push down on it to snap it into place.

# Upgrading or Replacing an Add-in Card

Computer features may vary by model.



10 - 15 minutes

## Before you begin

Observe the following requirements before removing and replacing the add-in card.

- ⚠ WARNING!** Never open the cover with the power applied. You might damage your computer or be injured by the spinning the fan blades.
- ⚠ WARNING!** Avoid touching sharp edge inside the computer.
- ⚠ WARNING!** Keep your hands away from the moving fan.
- ⚠ WARNING!** Keep fingers and tools clear of the fan when the power is applied.
- ⚠ CAUTION:** Static electricity can damage the electronic components inside the computer. Discharge static electricity by touching the metal cage of the computer before touching any internal parts or electronic components.
- 🔧 IMPORTANT:** A add-in card is extremely sensitive to shock impact. Do not bang or drop it. Static electricity can damage the card.

## Tools Needed

- Flathead/T15 Torx screwdriver

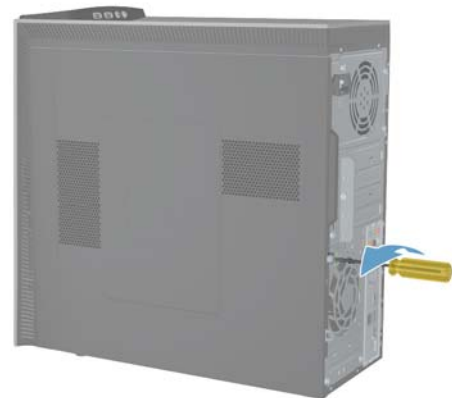
Small screws are easily lost. Remove screws over a surface that enables you to retrieve them if they fall.

## Removing the add-in card

1. Remove any media or storage devices such as CDs, DVDs, and USB.
2. Close all programs, and then shut down your operating system.
3. Unplug the computer by disconnecting the power cord and all attached cables from the back of the computer.



4. Using a flathead or Torx screwdriver, loosen the screw at the back of the computer that secures the side panel to the computer.



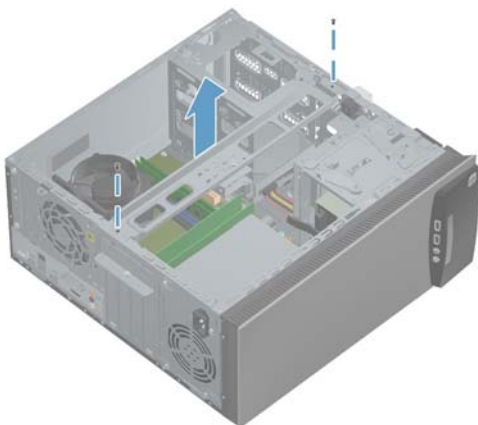
5. Slide the side panel toward the back of the computer, and then pull the side panel away from the computer.



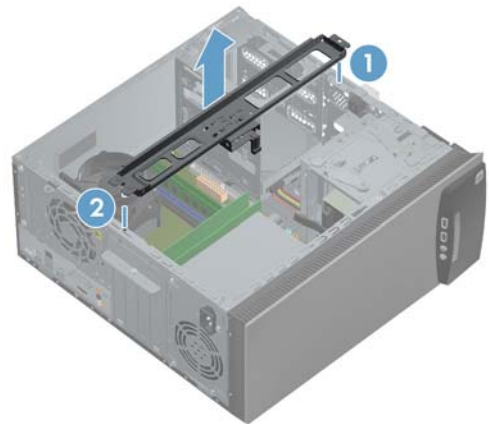
The inside of the computer is exposed.



6. Lay the computer on a flat surface.
7. Remove the two screws holding the retaining bar in place.



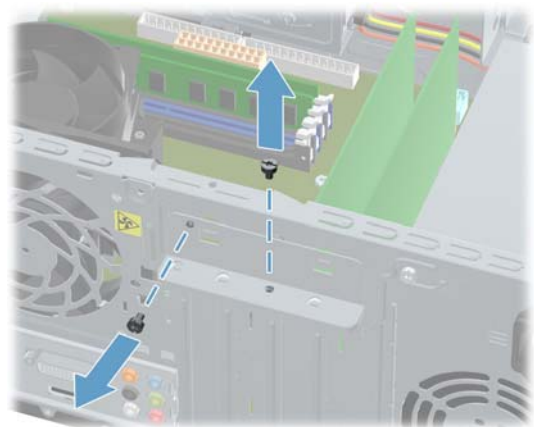
8. Lift the retaining bar at the front of the computer (1), and then remove it from the back of the computer (2).



9. On the back of the computer, locate the screw holding the bracket in place.

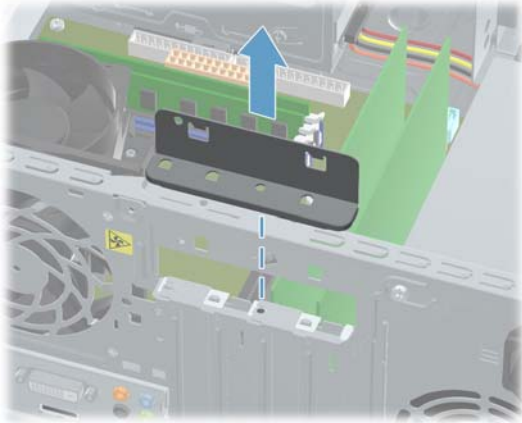


10. Remove the screw that secures the bracket to the computer.

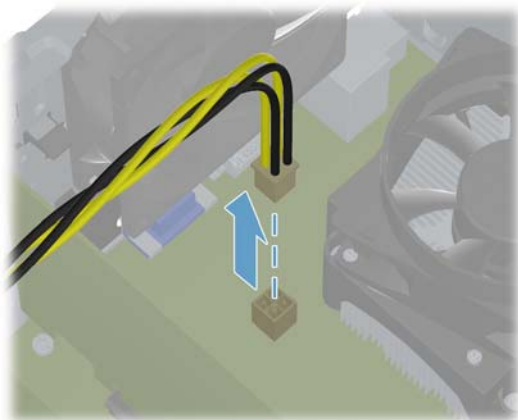




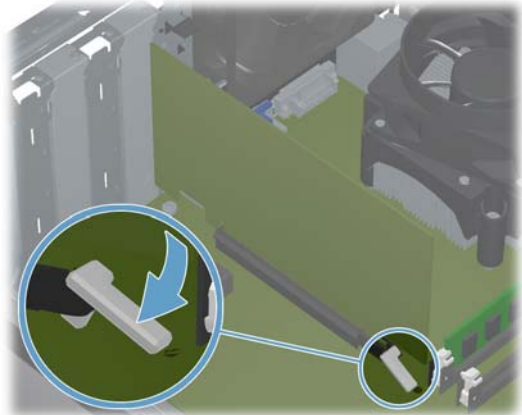
- 11.** Remove the bracket from the back of the computer.



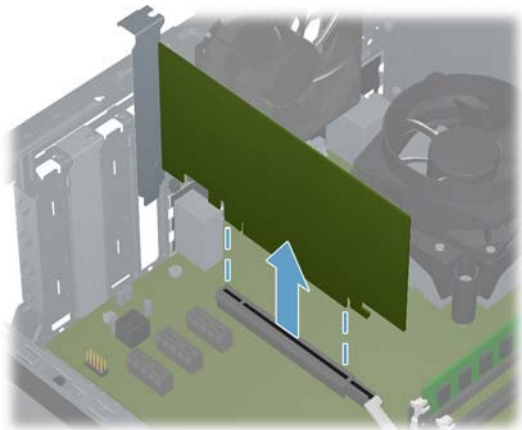
- 12.** To make it easier to access the add-in cards, disconnect the auxiliary power cable from the motherboard.



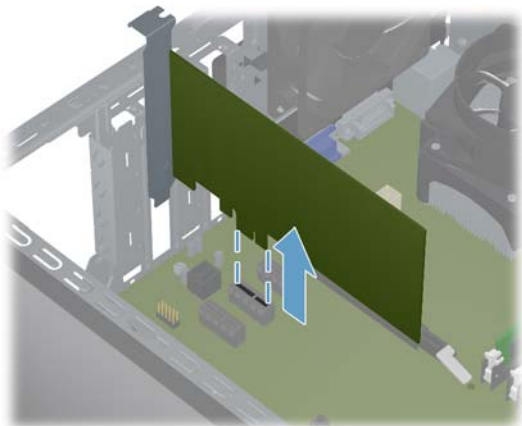
- 13.** If the add-in card is in the large slot, press the latch to release the card.



Carefully lift the add-in card out by the edges.




- 14.** If the add-in card is in one of the smaller slots, gently lift the card out to remove it. If there are connectors attached to the card, remove them.



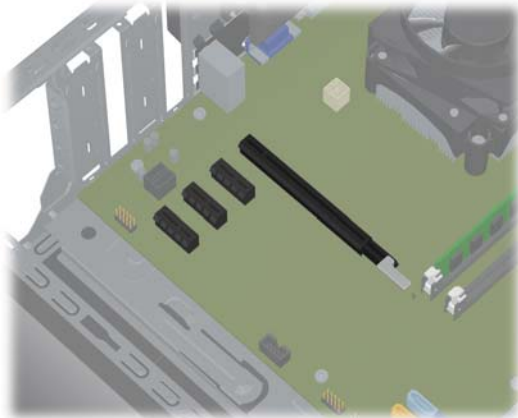
- 15.** If there are additional add-in cards to be removed, repeat step 14 for each card.



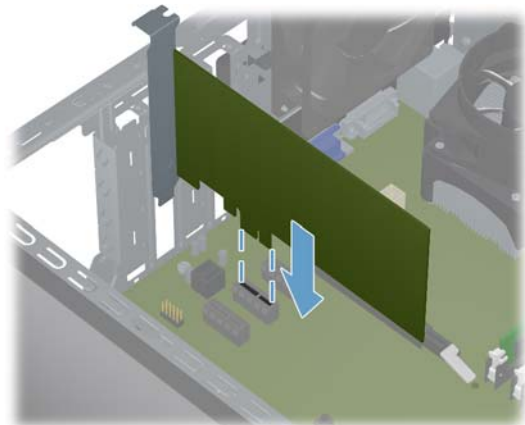
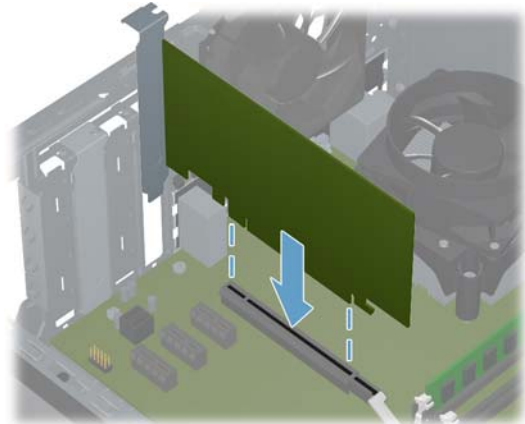
## Installing a new add-in card

 **NOTE:** The replacement part may look different than the original part because of manufacturer or model differences; however, the replacement part meets or exceeds the specifications of the original part.

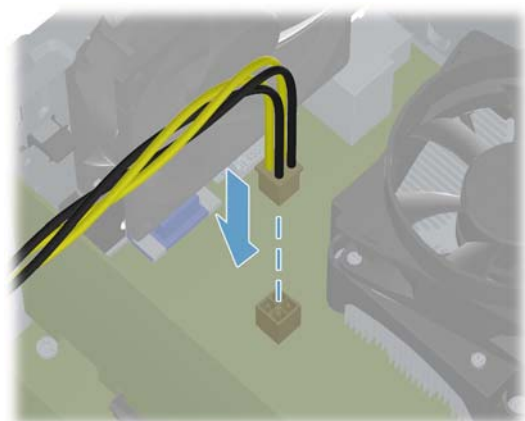
1. Locate where the card will be seated inside the computer.



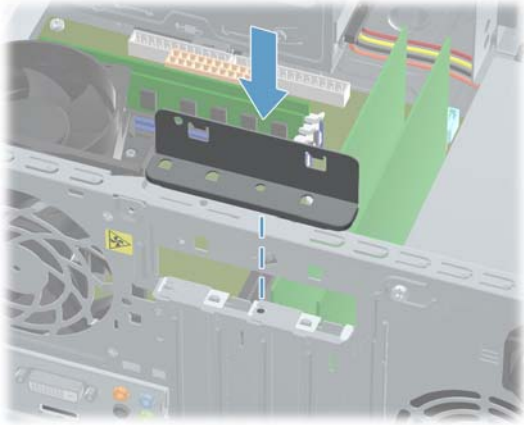
2. Insert the add-in card into the slot on the motherboard, making sure it is firmly seated in place.



3. If the auxiliary power cable was removed, reconnect it to the motherboard.



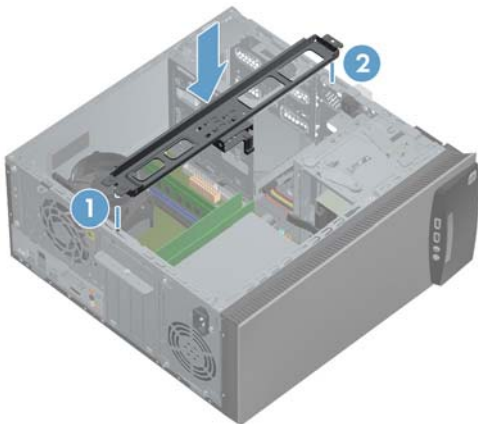
4. To secure the add-in card in place, replace the bracket at the back of the computer.



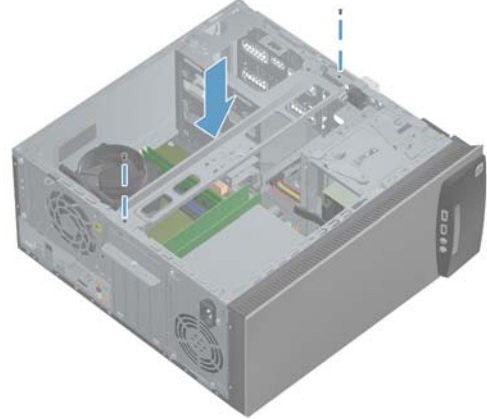
5. Reattach the screw holding the bracket in place.



6. Insert the retaining bar in the back of the computer (1), and then align the screw holes at the front of the computer (2).




7. Insert the two screws, securing the retaining bar in place.



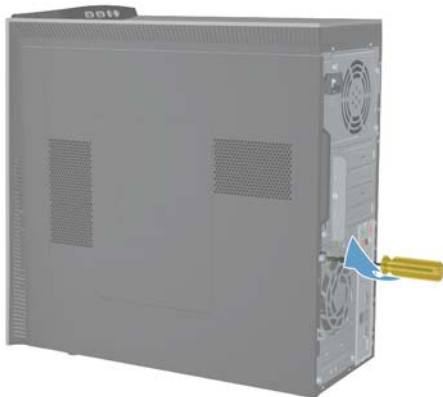
8. Place the computer in an upright position.

9. Install the side panel on the side of the computer, and then slide it toward the front of the computer.



 **NOTE:** Make sure the panel is flush with the computer. Failure to do so might cause the panel to bend slightly outward and not close securely.

10. Tighten the screw, securing the side panel to the back of the computer.



**TASK COMPLETED**

11. Plug the power cord and any additional cables into the back of the computer.



12. Press the power button to turn on the computer.

