

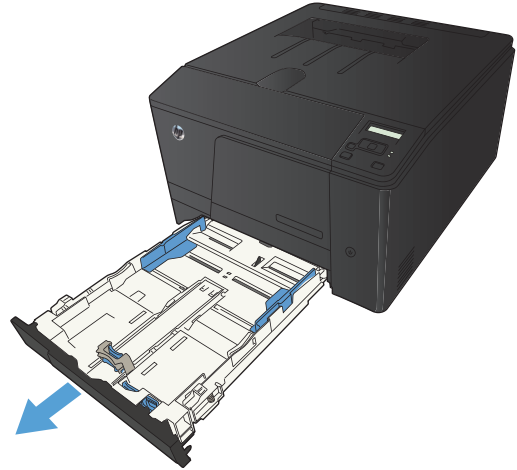


# LASERJET PRO 200 COLOR M251



## Load the paper input tray

1. Pull the tray out of the product.

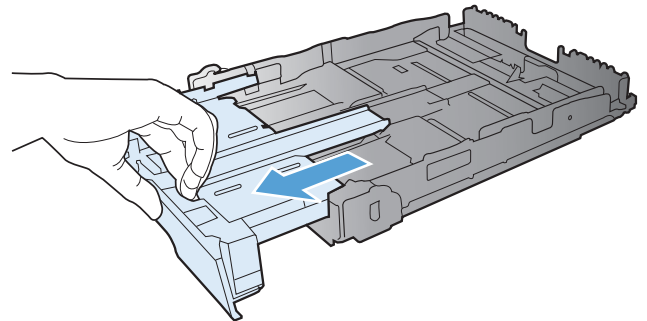


2. Slide open the paper length and width guides.



3. To load Legal-size paper, extend the tray by pressing and holding the extension tab while pulling the front of the tray outward.

**NOTE:** When loaded with Legal-size paper, the tray extends from the front of the product approximately 51 mm (2 inches).

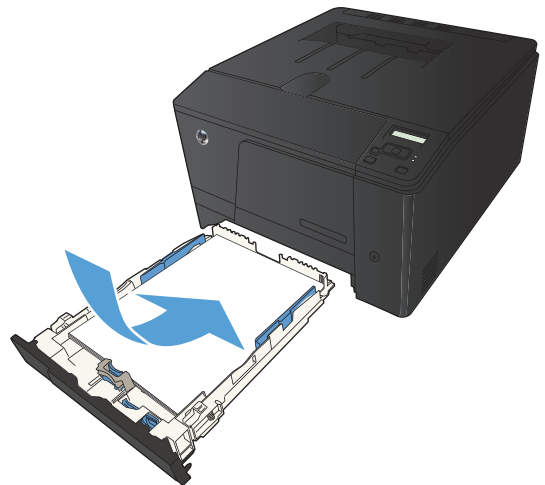


4. Place the paper in the tray and make sure that it is flat at all four corners. Slide the paper length and width guides so that they are against the stack of paper.

**NOTE:** The tray capacity is 150 sheets.



5. Push down on the paper to make sure that the paper stack is below the paper limit tabs on the side of the tray.



6. Slide the tray into the product.

