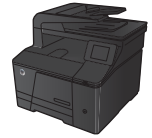




LASERJET PRO 200 COLOR MFP M276



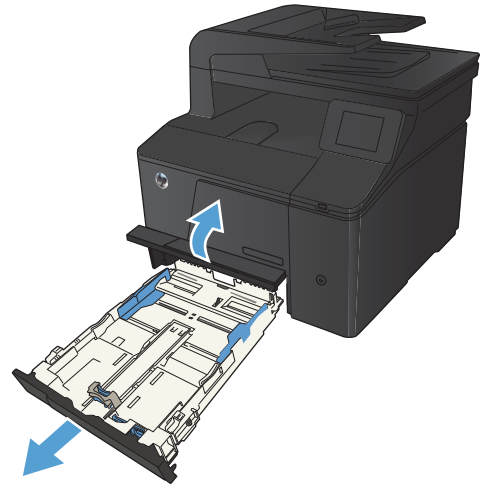
Clear jams in the paper input tray

CAUTION: Do not use sharp objects, such as tweezers or needle-nose pliers, to remove jams. Damage caused by sharp objects is not covered by the warranty.

When removing jammed paper, pull it straight out from the product. Pulling jammed paper out of the product at an angle can damage the product.

NOTE: Depending on where the jam is located, some of the following steps might not be necessary.

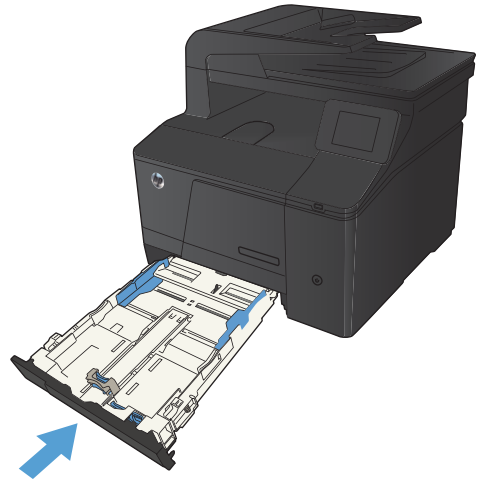
1. Pull out the tray, and lift the jam access door above the tray.



2. With both hands, grasp the paper, and carefully pull it free from the product.



3. Replace the tray.



4. Press the OK button to continue printing.