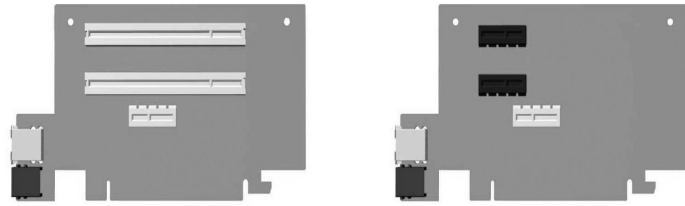




PCI or PCIe Riser Card Installation Guide

HP rp5800 Retail System



© Copyright 2011 Hewlett-Packard Development Company, L.P. The information contained herein is subject to change without notice. The only warranties for HP products and services are set forth in the express warranty statements accompanying such products and services. Nothing herein should be construed as constituting an additional warranty. HP shall not be liable for technical or editorial errors or omissions contained herein.

Printed in
First Edition: May 2011



656498-001

Before Your Begin

Before installing the riser card be sure to power off the rp5800 and disconnect the power cord from the power outlet.

WARNING! To avoid the risk of serious injury, ensure that the power cord is unplugged from the electrical outlet at the wall before installing the riser card. Failure to do so may expose you to the risk of electric shock.

CAUTION: To avoid the risk of damage to the system, ensure that the power cord is unplugged from the electrical outlet at the wall before installing the riser card.

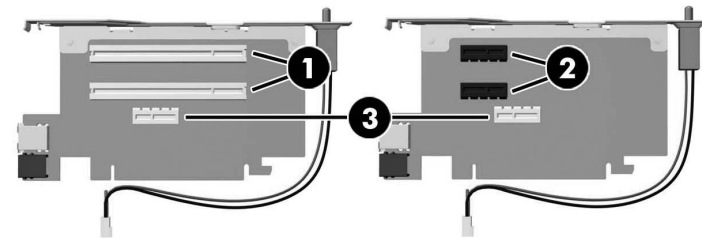
WARNING! ONLY the accessories and equipment listed below are authorized for connection to the 24V PoweredUSB port on the riser card. Accessories and equipment that are not listed below may cause a hazardous condition if connected.

- HP Hybrid Thermal Printer with MICR - FK184AA
- HP Hybrid Thermal Printer with MICR and Imaging - FK185AA
- HP USB Single Station Thermal Receipt Printer - FK224AA
- HP USB Receipt Printer (Serial) - BM476AA
- HP USB Receipt Printer - EY023AA

Contact your retailer before connecting equipment not listed above to the 24V PoweredUSB interface.

PCI and PCIe Riser Card Configurations

There are two riser cards available from HP for the rp5800 computer. One has two PCI slots and the other has two PCI Express x1 slots. On both cards the bottom slot is designated for the Powered Serial Port expansion card.



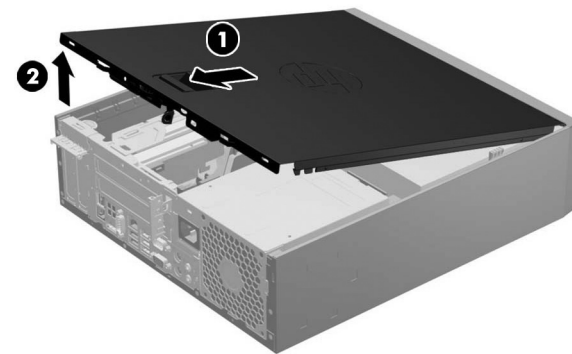
No.	Riser Card Slots
❶	PCI Expansion Card slots
❷	PCI Express x1 Expansion Card slots
❸	Powered Serial Expansion Card slots

CAUTION: The Powered Serial Port expansion card slot ❸ on the riser card looks very similar to a PCIe x1 expansion card slot. DO NOT attempt to install a PCIe x1 card in the bottom slot.

NOTE: Although there are three slots in each riser card, you can only install two expansion cards in the riser card: one in the top slot and one in either the middle slot or the bottom slot.

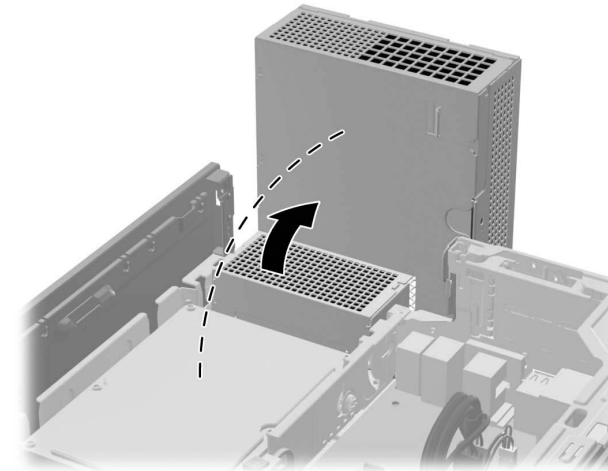
Installing the Riser Card

1. Turn off power to the system and disconnect the power cord from the power outlet.
2. Slide the access panel handle toward the rear of the computer ❶ then lift the access panel up and off the computer ❷.

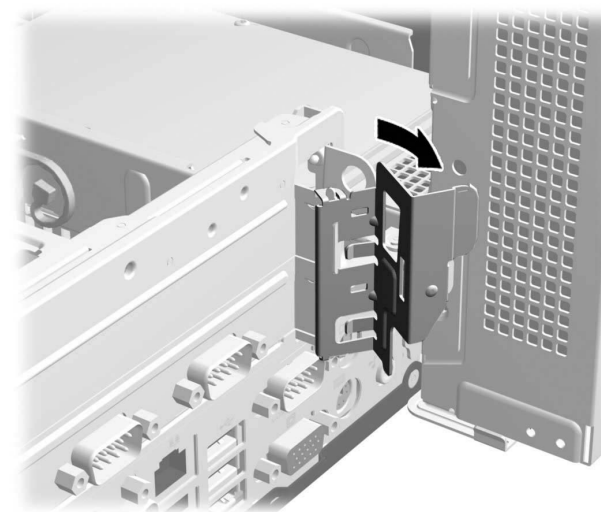


3. Rotate the power supply all the way back to access the full-height expansion card retention latch.

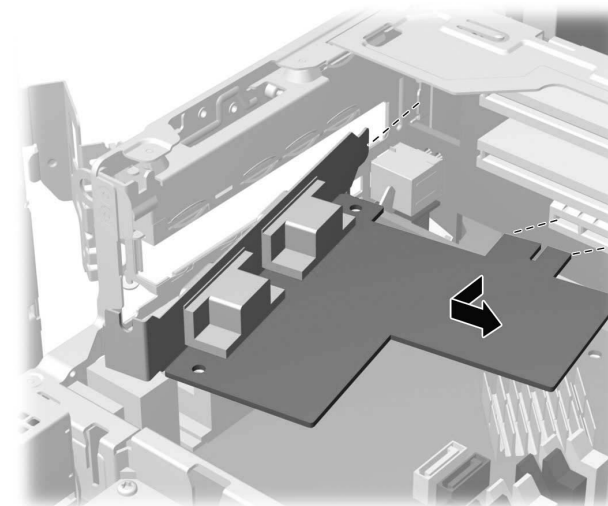
NOTE: If you are using a PS/2 mouse and/or PS/2 keyboard, make sure they are unplugged from the rear of the computer so that the connectors do not block the power supply from rotating all the way back.



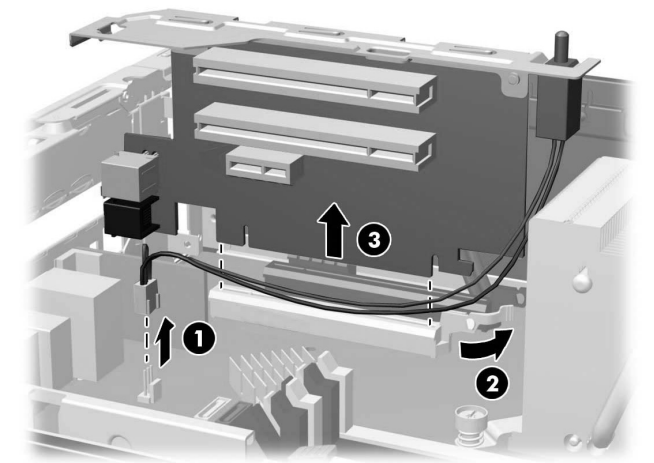
4. Pull back the green tab on the full-height expansion card retention latch to open the latch



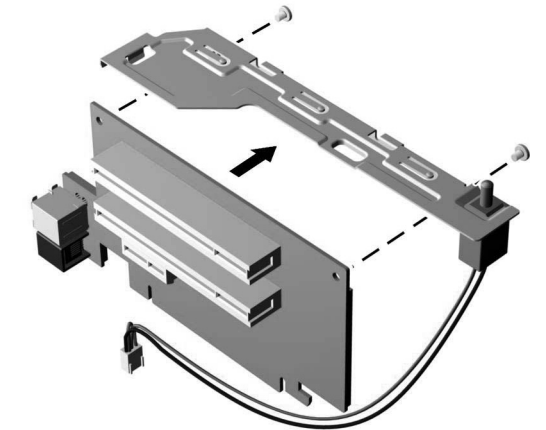
5. If one or two expansion cards are installed in any of the riser card expansion slots, remove the cards.



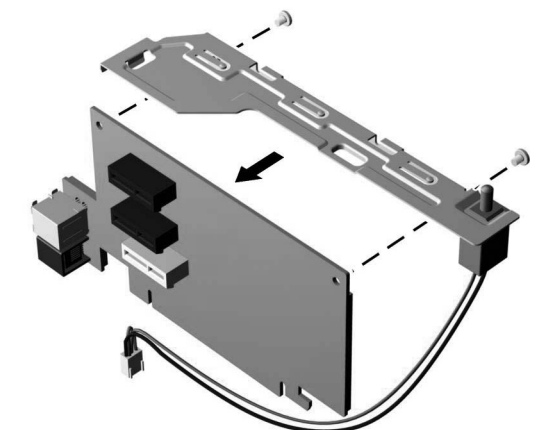
6. To remove the existing riser card, disconnect the hood sensor cable from the system board ❶, pull back the arm on the back of the riser card slot ❷, then lift the riser card out of the riser card slot ❸.



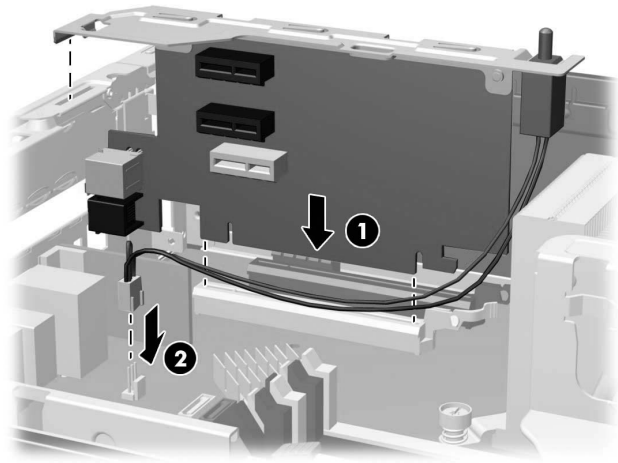
7. Remove the two screws that secure the metal bracket to the top of the card and remove the bracket. You do not need to remove the hood sensor from the bracket.



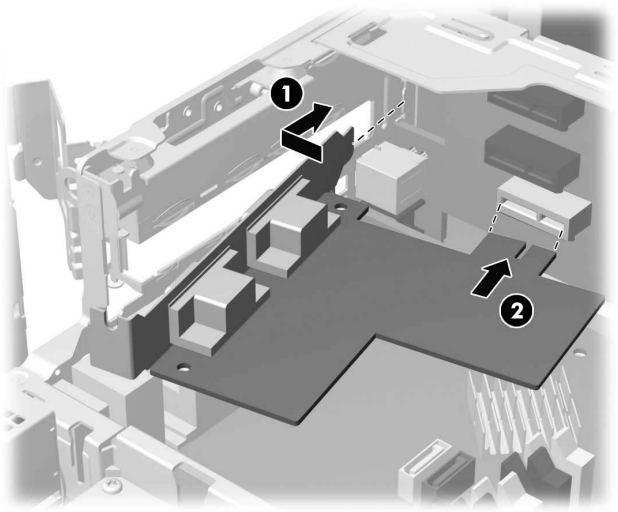
8. Install the metal bracket onto the new riser card using the two screws that secure the bracket in place.



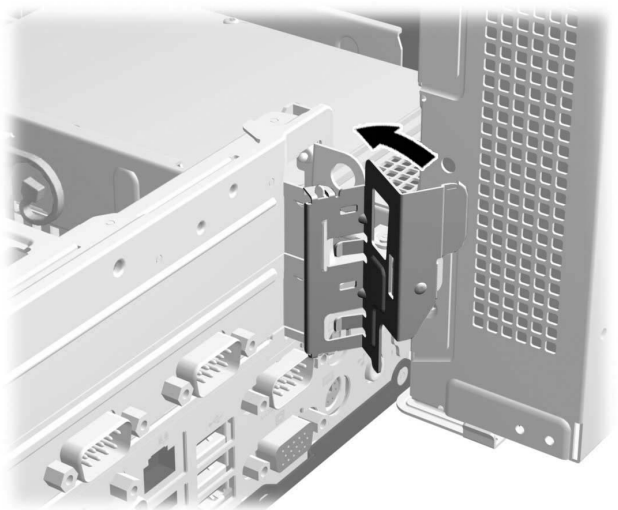
9. To install the new riser card, press the riser card firmly down into the riser card slot on the system board ❶ and plug the hood sensor cable into the hood sensor connector on the system board ❷.



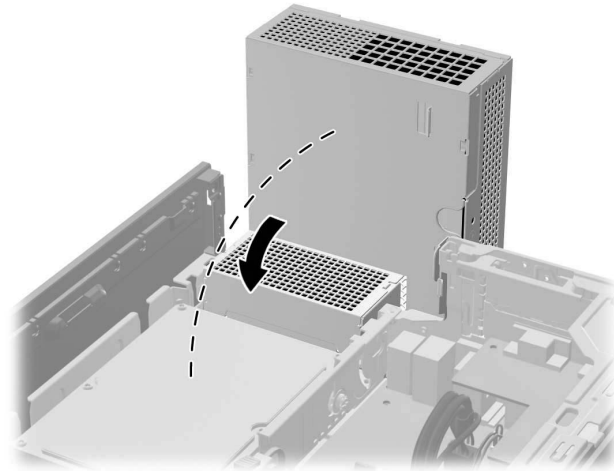
10. If a powered serial card was removed from the old riser card, install the card into the bottom slot on the new riser card. Align the bracket on the card with the open slot on the rear of the chassis ❶ and press the card straight down into the expansion socket on the riser card ❷.



11. If you are adding a PCI or PCIe card, install it as shown above.
12. Close the expansion card retention latch.



13. Rotate the power supply back down to its normal position.



14. Slide the lip on the front end of the access panel under the lip on the front of the chassis ❶ then press the back end of the access panel onto the unit so that it locks into place ❷.



15. Reconnect the power cord and any external devices, then turn on the computer.

Federal Communications Commission Notice

This equipment has been tested and found to comply with the limits for a Class B digital device, pursuant to Part 15 of the FCC Rules. These limits are designed to provide reasonable protection against harmful interference in a residential installation. This equipment generates, uses, and can radiate radio frequency energy and, if not installed and used in accordance with the instructions, may cause harmful interference to radio communications. However, there is no guarantee that interference will not occur in a particular installation. If this equipment does cause harmful interference to radio or television reception, which can be determined by turning the equipment off and on, the user is encouraged to try to correct the interference by one or more of the following measures:

- Reorient or relocate the receiving antenna.
- Increase the separation between the equipment and the receiver.
- Connect the equipment into an outlet on a circuit different from that to which the receiver is connected.
- Consult the dealer or an experienced radio or television technician for help.

Modifications

The FCC requires the user to be notified that any changes or modifications made to this device that are not expressly approved by Hewlett-Packard Company may void the user's authority to operate the equipment.

Cables

Connections to this device must be made with shielded cables with metallic RFI/EMI connector hoods in order to maintain compliance with FCC Rules and Regulations.

Declaration of Conformity for Products Marked with the FCC Logo (United States Only)

This device complies with Part 15 of the FCC Rules. Operation is subject to the following two conditions:

1. This device may not cause harmful interference.
2. This device must accept any interference received, including interference that may cause undesired operation.

For questions regarding the product, contact:

Hewlett Packard Company
P. O. Box 692000, Mail Stop 530113
Houston, Texas 77269-2000
Or, call 1-800-HP-INVENT (1-800 474-6836)

For questions regarding this FCC declaration, contact:

Hewlett Packard Company
P. O. Box 692000, Mail Stop 510101
Houston, Texas 77269-2000
Or, call (281) 514-3333

To identify this product, refer to the Part, Series, or Model number found on the product.

Canadian Notice

This Class B digital apparatus complies with Canadian ICES-003.

Avis Canadien

Cet appareil numérique de la classe B est conforme à la norme NMB-003 du Canada.

European Union Regulatory Notice

Products bearing the CE marking comply with the following EU Directives:

- Low Voltage Directive 2006/95/EC
- EMC Directive 2004/108/EC
- Ecodesign Directive 2009/125/EC, where applicable

CE compliance of this product is valid if powered with the correct CE-marked AC adapter provided by HP.

Compliance with these directives implies conformity to applicable harmonized European standards (European Norms) that are listed in the EU Declaration of Conformity issued by HP for this product or product family and available (in English only) either within the product documentation or at the following web site: www.hp.eu/certificates (type the product number in the search field).

The compliance is indicated by one of the following conformity markings placed on the product:

	For non-telecommunications products and for EU harmonized telecommunications products, such as Bluetooth® within power class below 10mW.
	For EU non-harmonized telecommunications products (If applicable, a 4-digit notified body number is inserted between CE and !).

Please refer to the regulatory label provided on the product.

The point of contact for regulatory matters is Hewlett-Packard GmbH, Dept./MS: HQ-TRE, Herrenberger Strasse 140, 71034 Boeblingen, GERMANY.

German Ergonomics Notice

HP products which bear the "GS" approval mark, when forming part of a system comprising HP brand computers, keyboards and monitors that bear the "GS" approval mark, meet the applicable ergonomic requirements. The installation guides included with the products provide configuration information.

Japanese Notice

この装置は、クラスB情報技術装置です。この装置は、家庭環境で使用することを目的としていますが、この装置がラジオやテレビジョン受信機に近接して使用されると、受信障害を引き起こすことがあります。取扱説明書に従って正しい取り扱いをして下さい。

VCCI-B

Korean Notice

<p>B급 기기 (가정용 방송통신기기)</p>	<p>이 기기는 가정용(B급)으로 전자파적합등록을 한 기기로서 주로 가정에서 사용하는 것을 목적으로 하며, 모든 지역에서 사용할 수 있습니다.</p>
-------------------------------	---

Online Technical Support

For the online access to technical support information, self-solve tools, online assistance, community forums or IT experts, broad multivendor knowledge base, monitoring and diagnostic tools, go to <http://www.hp.com/support>.

Localized Versions of this Document

Localized versions of this document are available at <http://www.hp.com> for the following languages:

- Brazilian Portuguese
- Dutch
- English
- French
- German
- Bahasa Indonesian
- Italian
- Japanese
- Korean
- Simplified Chinese
- Spanish
- Traditional Chinese
- Thai