



HP 430 and HP 431 Notebook PC and
Compaq 435 and Compaq 436
Notebook PC

Maintenance and Service Guide

© Copyright 2011 Hewlett-Packard
Development Company, L.P.

AMD, the AMD Arrow logo, Athlon, Phenom, Sempron, Turion, and combinations thereof, are trademarks of Advanced Micro Devices, Inc. Bluetooth is a trademark owned by its proprietor and used by Hewlett-Packard Company under license. Intel, Celeron, Core, and Pentium are trademarks of Intel Corporation in the U.S. and other countries. Microsoft and Windows are U.S. registered trademarks of Microsoft Corporation. SD Logo is a trademark of its proprietor.

The information contained herein is subject to change without notice. The only warranties for HP products and services are set forth in the express warranty statements accompanying such products and services. Nothing herein should be construed as constituting an additional warranty. HP shall not be liable for technical or editorial errors or omissions contained herein.

Second Edition: September 2011

First Edition: April 2011

Document Part Number: 658596-002

Safety warning notice

⚠ WARNING! To reduce the possibility of heat-related injuries or of overheating the device, do not place the device directly on your lap or obstruct the device air vents. Use the device only on a hard, flat surface. Do not allow another hard surface, such as an adjoining optional printer, or a soft surface, such as pillows or rugs or clothing, to block airflow. Also, do not allow the AC adapter to contact the skin or a soft surface, such as pillows or rugs or clothing, during operation. The device and the AC adapter comply with the user-accessible surface temperature limits defined by the International Standard for Safety of Information Technology Equipment (IEC 60950).

Table of contents

1 Product description	1
2 External component identification	10
Display	10
Button	11
Keys	12
Lights	13
TouchPad	14
Left side	15
Right side	16
Bottom	17
3 Illustrated parts catalog	18
Service tag	18
Computer major components	20
Cable Kit	25
Display assembly subcomponents	26
Mass storage devices	28
Miscellaneous parts	29
Plastics Kit	30
Sequential part number listing	30
4 Removal and replacement procedures	36
Preliminary replacement requirements	36
Tools required	36
Service considerations	36
Plastic parts	36
Cables and connectors	36
Drive handling	37
Grounding guidelines	37
Electrostatic discharge damage	37

Packaging and transporting guidelines	39
Component replacement procedures	41
Service tag	41
Computer feet	42
Battery	43
WLAN module	44
Memory module	47
Hard drive	48
Optical drive (select models only)	51
Keyboard	53
Top cover	56
Power button board	60
TouchPad button board	61
Speakers	63
USB board	65
Power connector cable	66
Display assembly	68
System board	76
Optical drive connector cable	79
RTC battery	81
Fan/heat sink assembly	83
Processor	89
5 Setup Utility (BIOS) and System Diagnostics	92
Using Setup Utility	92
Starting Setup Utility	92
Changing the language of Setup Utility	92
Navigating and selecting in Setup Utility	93
Displaying system information	93
Restoring factory settings in Setup Utility	94
Exiting Setup Utility	94
Updating the BIOS	94
Determining the BIOS version	95
Downloading a BIOS update	95
Using System Diagnostics	96
6 Specifications	97
Computer specifications	97
14.0-inch display specifications	98
Hard drive specifications	99

7 Backup and recovery	100
Restore	100
Creating restore media	101
Performing a system restore	102
Restoring using the dedicated recovery partition (select models only)	102
Restoring using the restore media	103
Changing the computer boot order	103
Backing up and recovering your information	104
Using Windows Backup and Restore	105
Using Windows system restore points	105
When to create restore points	105
Create a system restore point	106
Restore to a previous date and time	106
8 Power cord set requirements	107
Requirements for all countries	107
Requirements for specific countries and regions	108
9 Recycling	109
Battery	109
Display	109
Index	115

1 Product description

Category	Description	Computer models equipped with an AMD processor	Computer models equipped with an Intel processor
Product Name	Compaq 435 and Compaq 436 Notebook PC	√	
	HP 430 and HP 431 Notebook PC		√
Processors	AMD® Phenom® II N970 Quad Core 2.20-GHz processor (2.0-MB L2 cache, 1333-MHz FSB, 35 W, 3.6 gigatransfers/second)	√	
	AMD Phenom II P960 Quad Core 1.80-GHz processor (2.0-MB L2 cache, 1066-MHz FSB, 25 W, 3.6 gigatransfers/second)	√	
	AMD Phenom II N660 Triple Core 3.00-GHz processor (2.0-MB L2 cache, 1333-MHz FSB, 35 W, 3.6 gigatransfers/second)	√	
	AMD Phenom II N650 Dual Core 2.60-GHz processor (2.0-MB L2 cache, 1333-MHz FSB, 25 W, 3.6 gigatransfers/second)	√	
	AMD Athlon® II N370 Dual Core 2.50-GHz processor (1.0-MB L2 cache, 1066-MHz FSB, 35 W, 3.2 gigatransfers/second)	√	
	AMD Athlon II N350 Dual Core 2.40-GHz processor (1.0-MB L2 cache, 1066-MHz FSB, 35 W, 3.2 gigatransfers/second)	√	
	AMD Athlon II P360 Dual Core 2.30-GHz processor (1.0-MB L2 cache, 1066-MHz FSB, 35 W, 3.2 gigatransfers/second)	√	

Category	Description	Computer models equipped with an AMD processor	Computer models equipped with an Intel processor
	AMD Athlon II P340 Dual Core 2.20-GHz processor (1.0-MB L2 cache, 1066-MHz FSB, 25 W, 3.2 gigatransfers/second)	√	
	AMD Turion® II P560 Dual Core 2.50-GHz processor (2.0-MB L2 cache, 1066-MHz FSB, 35 W, 3.6 gigatransfers/second)	√	
	AMD Sempron V160 Single Core 2.40-GHz processor (512-KB L2 cache, 1066-MHz FSB, 25 W, 3.2 gigatransfers/second)	√	
	AMD Sempron V140 Single Core 2.30-GHz processor (512-KB L2 cache, 1066-MHz FSB, 25 W, 3.2 gigatransfers/second)	√	
	AMD E350 1.60-GHz processor (Dual Core, 18-W)	√	
	AMD E240 1.50-GHz processor (Single Core, 18-W)	√	
	Intel® Dual Core® i5-2540M 2.60-GHz processor (SC turbo up to 3.30-GHz; 3.0-MB L3 cache, 35 W)		√
	Intel Dual Core i5-2520M 2.50-GHz processor (SC turbo up to 3.20-GHz; 3.0-MB L3 cache, 35 W)		√
	Intel Dual Core i5-2410M 2.30-GHz processor (SC turbo up to 2.90-GHz; 3.0-MB L3 cache, 35 W)		√
	Intel Dual Core i3-2330M 2.20-GHz processor (3.0-MB L3 cache 35 W)		√
	Intel Dual Core i3-2310M 2.10-GHz processor (3.0-MB L3 cache 35 W)		√
	Intel Pentium® P6300 2.26-GHz processor (3.0-MB L3 cache, dual core, 35 W)		√
	Intel Pentium P6200 2.13-GHz processor (3.0-MB L3 cache, dual core, 35 W)		√
	Intel Core 2 Duo P7570 2.26-GHz processor (3.0-MB L2 cache, 1066-MHz FSB, 25 W)		√

Category	Description	Computer models equipped with an AMD processor	Computer models equipped with an Intel processor
	Intel Core 2 Duo T6670 2.20-GHz processor (2.0-MB L3 cache, 800-MHz FSB)		√
	Intel Celeron® DC T3500 2.10-GHz processor (1.0-MB L2 cache, 800-MHz FSB)		√
	Intel Celeron DC T3300 2.00-GHz processor (1.0-MB L2 cache, 800-MHz FSB)		√
	Intel Celeron SC B950 2.10-GHz processor (1.0-MB L2 cache, 800-MHz FSB)		√
	Intel Celeron SC B940 2.00-GHz processor (1.0-MB L2 cache, 800-MHz FSB)		√
	Intel Celeron SC C925 2.30-GHz processor (1.0-MB L2 cache, 800-MHz FSB)		√
	Intel Celeron SC C900 2.20-GHz processor (1.0-MB L2 cache, 800-MHz FSB)		√
	Intel Celeron SC B810 1.60-GHz processor (1.0-MB L2 cache, 800-MHz FSB)		√
Chipset	<p>AMD A50M fusion controller hub (FCH) on computer models equipped with a graphics subsystem with UMA memory</p> <p>Northbridge:</p> <ul style="list-style-type: none"> ATI RS880M (on computer models equipped with a graphics subsystem with UMA memory) ATI RS880MD (on computer models equipped with a graphics subsystem with discrete memory) <p>Southbridge: SB820M</p>	√	
	<p>Northbridge:</p> <ul style="list-style-type: none"> Intel HM65 Express Chipset Intel HM55 Express Chipset Intel GM45 <p>Southbridge: ICH9m</p>		√

Category	Description	Computer models equipped with an AMD processor	Computer models equipped with an Intel processor
Graphics	AMD graphics: AMD Radeon™ HD 6310M discrete-class graphics supporting DX11 AMD Radeon HD 6250M discrete-class graphics supporting DX11 Support for Blu-Ray and high-definition DVD playback with HD-decode and DX10 and DX11 support	√	
	Switchable discrete graphics (not supported on computer models equipped with Windows® 7 Starter OS): AMD Radeon HD 6370M Graphics with 512-MB dedicated video memory (64-MB×16 DDR3 900-MHz × 4 PCs); 64-bit S3 package, muxless switchable	√	
	Unified Memory Architecture (UMA) internal graphics: ATI Mobility Radeon HD 4250; support for DX10; 64-bit, muxless switchable	√	
	Internal graphics: Intel HD Graphics		√
	Discrete graphics: AMD Radeon HD 6370M Graphics with 512-MB of discrete video memory (64M×16 DDR3 900 MHz × 4 PCs)		√
	Switchable discrete graphics (not supported on computer models equipped with Windows 7 Starter OS): AMD Radeon HD 6470M Graphics with 512-MB of discrete video memory (64M×16 DDR3 900 MHz × 4 PCs) or AMD Radeon HD 6470M Graphics with 1024-MB of discrete video memory (128M×16 DDR3 900 MHz × 4 PCs)		√
	Support for high-definition DVD playback with HD-decode ,and DX10 (UMA) and DX11 (discrete) support		√

Category	Description	Computer models equipped with an AMD processor	Computer models equipped with an Intel processor
Panel	14.0-in, high-definition (HD), light-emitting diode (LED), SVA AntiGlare (1366×768) display; typical brightness: 200 nits	√	√
	14.0-in, HD, LED, SVA BrightView (1366×768) display; typical brightness: 200 nits		
	All display assemblies include 1 or 2 wireless local area network (WLAN) antenna cables		
	Supports 16:9 ultra wide aspect ratio		
Memory	2 customer-accessible/upgradable memory module slots	√	√
	Supports dual-channel memory	√	√
	Supports up to 8192 GB of system RAM	√	√
	DDR3/1333-MHz	√	√
	Supports the following configurations:	√	√
	<ul style="list-style-type: none"> • 8192-MB total system memory (4096×2; not supported on a 32-bit operating system) • 4096-MB total system memory (4096×1 or 2048×2; not supported with Windows 7 Starter OS) • 3072-MB total system memory (2048×1 + 1024×1; not supported with Windows 7 Starter OS) • 2048-MB total system memory (2048×1 or 1024×2) • 1024-MB total system memory (1024×1; not supported on a 64-bit operating system) 		
Hard drives	Supports 6.35-cm (2.5-in) hard drives in 9.5-mm (.37-in) and 7.0-mm (.28-in) thicknesses	√	√
	Customer-accessible	√	√
	Serial ATA	√	√

Category	Description	Computer models equipped with an AMD processor	Computer models equipped with an Intel processor
	Supports the following hard drives: <ul style="list-style-type: none"> • 750-GB, 5400-rpm • 640-GB, 5400-rpm • 500-GB, 7200-rpm • 500-GB, 5400-rpm • 320-GB, 7200-rpm • 320-GB, 5400-rpm • 250-GB, 7200-rpm 	√	√
Optical drive (select models only)	Fixed	√	√
	Serial ATA	√	√
	12.7-mm tray load	√	√
	Blu-ray Disc ROM with SuperMulti DVD ±R/RW Double-Layer Drive with LightScribe	√	√
	DVD±RW and CD-RW Super Multi Double-Layer Combo Drive with LightScribe		
Audio and video	Single digital microphone	√	√
	HD audio	√	√
	Presario-branded Altec/ Lansing speakers	√	√
	Supports Microsoft Premium requirements	√	√
	HP VGA webcam (select models only, fixed, no tilt with activity LED, 640×480 by 24 frames per second	√	√
Ethernet	Integrated 10/100 network interface card (NIC)	√	
	Integrated 10/100/1000 network interface card (NIC) on computer models equipped with an Intel Dual Core i5 or i3 or Intel Pentium processor		√
	Integrated 10/100 NIC on computer models equipped with an Intel Core 2 Duo or Intel Celeron processor		

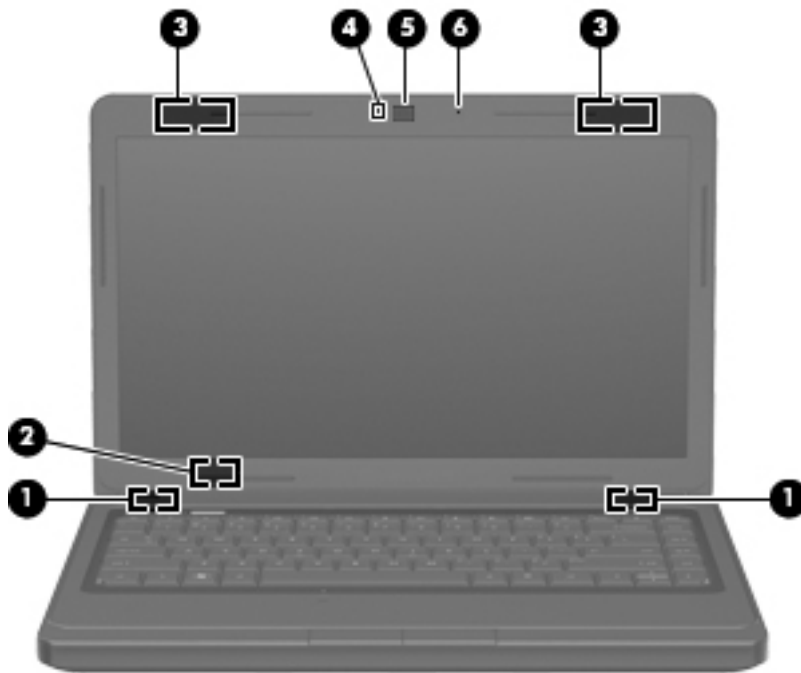
Category	Description	Computer models equipped with an AMD processor	Computer models equipped with an Intel processor
Wireless	Integrated wireless local area network (WLAN) options by way of wireless module	√	√
	One or two WLAN antennas built into display assembly	√	√
	Support for the following WLAN formats:	√	√
	<ul style="list-style-type: none"> Atheros AR9002WB-1NGB 802.11b/g/n 1×1 WiFi and Bluetooth 2.1+EDR Combo Adapter (BT3.0+HS ready) Ralink 5390GN 802.11b/g/n 1×1 WiFi Adapter Realtek 8188BC8 802.11a/b/g/n 2×2 WiFi and Bluetooth 3.0+HS Combo Adapter Realtek 8188GN 802.11b/g/n 1×1 WiFi Adapter 		
External media card	HP Multi-Format Digital Media Reader supports the following digital card formats:	√	√
	<ul style="list-style-type: none"> MultiMediaCard (MMC) Secure Digital (SD) Memory Card Secure Digital High Capacity (SDHC) Memory Card 		
Ports	3-pin AC power	√	√
	Audio-in (mono microphone)		
	Audio-out (stereo headphone)		
	HDMI version 1.4 supporting 1920 × 1200 @ 60Hz		
	RJ-45 (Ethernet, includes link and activity lights)		
	USB 2.0 (3 ports)		
	VGA (Dsub 15 pin) supporting 2048×1536 external resolution @ 85 Hz, 1920 × 1200 external resolution @ 60Hz, hot plug and unplug and auto-detection for correct output to wide-aspect vs. standard aspect video		

Category	Description	Computer models equipped with an AMD processor	Computer models equipped with an Intel processor
Keyboard/ pointing devices	Full-size 14-in, textured, pocket, keyboard with full numeric keypad	√	√
	TouchPad with multi-touch gestures, 2-finger scrolling, and pinch-zoom enabled	√	√
	Taps enabled by default	√	√
Power requirements	65-W RC V HP Smart AC adapter with localized cable plug support (3-wire plug with ground pin, supports 3-pin DC connector)	√	
	90-W PFC RC V EM HP Smart AC adapter with localized cable plug support (3-wire plug with ground pin, supports 3-pin DC connector)		√
	90-W PFC RC V HP Smart AC adapter with localized cable plug support (3-wire plug with ground pin, supports 3-pin DC connector)		
	65-W RC V EM HP Smart AC adapter with localized cable plug support (3-wire plug with ground pin, supports 3-pin DC connector)		
	Support for the following batteries:	√	√
	<ul style="list-style-type: none"> 6-cell, 55-Whr, 2.55-Ah Li-ion battery 6-cell, 47-Whr, 2.20-Ah Li-ion battery 		
Security	Security cable slot	√	√
Operating system	Preinstalled:	√	
	<ul style="list-style-type: none"> Windows 7 Home Basic (64-bit and 32-bit) Windows 7 Home Premium (64-bit) Windows 7 Professional (64-bit) Windows 7 Starter (32-bit, not supported on computer models equipped with a 320-GB hard drive) FreeDOS 		

Category	Description	Computer models equipped with an AMD processor	Computer models equipped with an Intel processor
	<p>Preinstalled:</p> <ul style="list-style-type: none"> • Windows 7 Home Basic (64-bit and 32-bit) • Windows 7 Home Premium (64-bit) • Windows 7 Professional (64-bit) • Windows 7 Starter 32-bit • FreeDOS 		√
Serviceability	<p>End-user replaceable parts:</p> <ul style="list-style-type: none"> • AC adapter • Battery • Hard drive • Memory modules (2) • Optical drive • WLAN module 	√	√

2 External component identification

Display



Item	Component	Description
(1)	Speakers (2)	Produce sound.
(2)	Internal display switch	Turns off the display and initiates Sleep if the display is closed while the power is on. NOTE: The display switch is not visible from the outside of the computer.
(3)	WLAN antennas (2)* (select models only)	Send and receive wireless signals to communicate with WLANs.
(4)	Webcam light	On: The webcam is in use.
(5)	Webcam	Records video and captures still photographs. To use the webcam, select Start > All Programs > CyberLink YouCam > CyberLink YouCam.

Item	Component	Description
(6)	Internal microphone	Records sound.

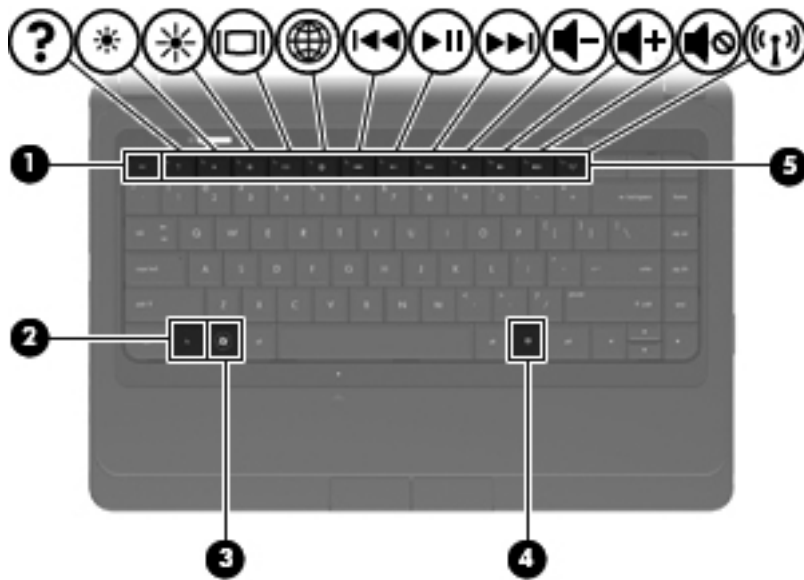
*The antennas are not visible from the outside of the computer. For optimal transmission, keep the areas immediately around the antennas free from obstructions. To see wireless regulatory notices, refer to the section of the *Regulatory, Safety, and Environmental Notices* that applies to your country or region. These notices are located in Help and Support.

Button



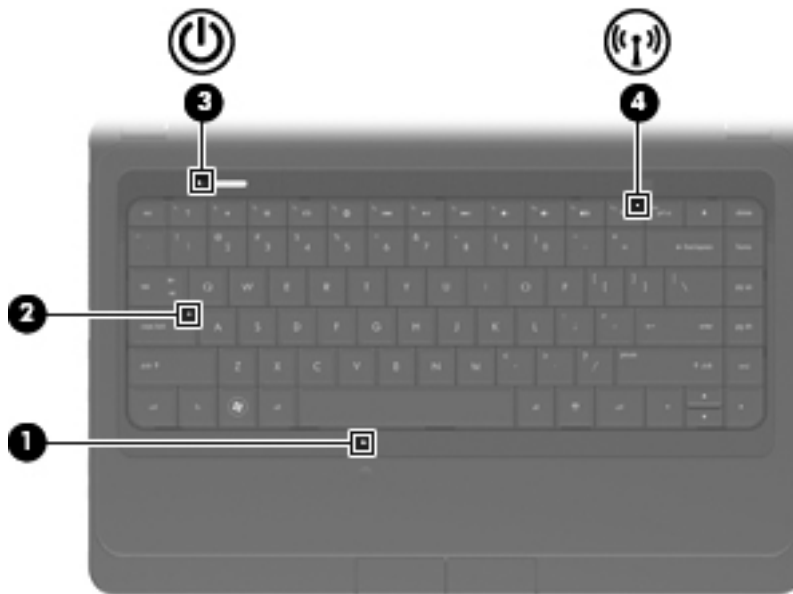
Component	Description
Power button	<ul style="list-style-type: none"> • When the computer is off, press the button to turn on the computer. • When the computer is on, press the button briefly to initiate Sleep. • When the computer is in the Sleep state, press the button briefly to exit Sleep. • When the computer is in Hibernation, press the button briefly to exit Hibernation. <p>If the computer has stopped responding and Windows shutdown procedures are ineffective, press and hold the power button for at least 5 seconds to turn off the computer.</p> <p>To learn more about your power settings, select Start > Control Panel > System and Security > Power Options, or refer to the <i>HP Notebook Reference Guide</i>.</p>

Keys



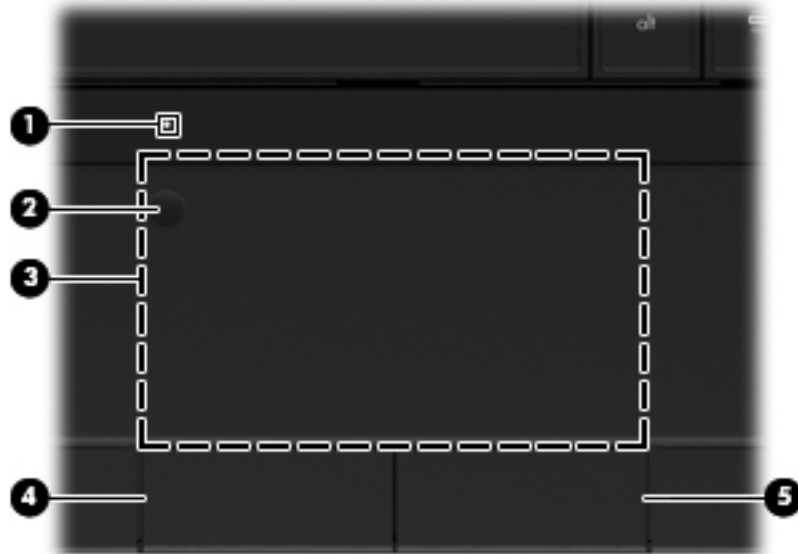
Item	Component	Description
(1)	esc key	Displays system information when pressed in combination with the fn key.
(2)	fn key	Displays system information when pressed in combination with the esc key.
(3)	Windows logo key	Displays the Windows Start menu.
(4)	Windows applications key	Displays a shortcut menu for items beneath the pointer.
(5)	Action keys	Execute frequently used system functions.

Lights



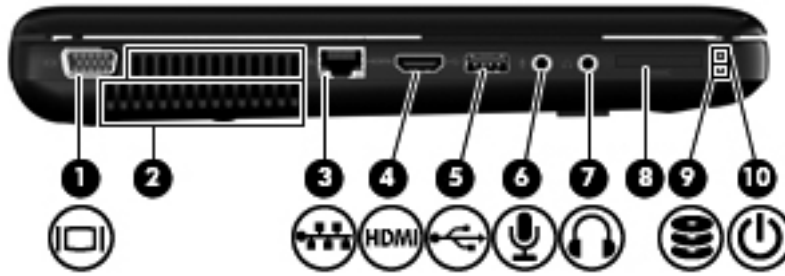
Item	Component	Description
(1)	TouchPad light	<ul style="list-style-type: none">• Off: The TouchPad is on.• Amber: The TouchPad is off.
(2)	Caps lock light	On: Caps lock in on.
(3)	Power light	<ul style="list-style-type: none">• On: The computer is on.• Blinking: The computer is in the Sleep state.• Off: The computer is off or in Hibernation.
(4)	Wireless light	<ul style="list-style-type: none">• White: An integrated wireless device, such as a WLAN device and/or a Bluetooth device, is on.• Amber: All wireless devices are off.

TouchPad



Item	Component	Description
(1)	TouchPad light	<ul style="list-style-type: none">• Off: The TouchPad is on.• Amber: The TouchPad is off.
(2)	TouchPad on/off button	Turns the TouchPad on and off.
(3)	TouchPad zone	Moves the pointer and selects or activates items on the screen.
(4)	Left TouchPad button	Functions like the left button on an external mouse.
(5)	Right TouchPad button	Functions like the right button on an external mouse.

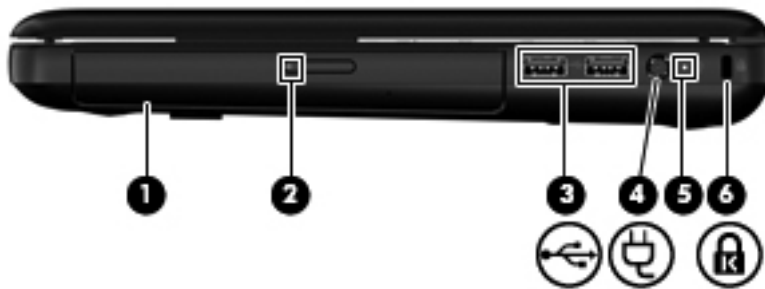
Left side



Item	Component	Description
(1)	External monitor port	Connects an external VGA monitor or projector.
(2)	Vents (2)	Enable airflow to cool internal components. NOTE: The computer fan starts up automatically to cool internal components and prevent overheating. It is normal for the internal fan to cycle on and off during routine operation.
(3)	RJ-45 (network) jack	Connects a network cable.
(4)	HDMI port (select models only)	Connects an optional video or audio device, such as a high-definition television, or any compatible digital or audio component.
(5)	USB port	Connect optional USB devices.
(6)	Audio-in (microphone) jack	Connects an optional computer headset microphone, stereo array microphone, or monaural microphone.
(7)	Audio-out (headphone) jack	Produce sound when connected to optional powered stereo speakers, headphones, ear buds, a headset, or television audio. WARNING! To reduce the risk of personal injury, adjust the volume before putting on headphones, earbuds, or a headset. For additional safety information, refer to the <i>Regulatory, Safety, and Environmental Notices</i> . NOTE: When a device is connected to the jack, the computer speakers are disabled.
(8)	Digital Media Slot	Supports the following digital card formats: <ul style="list-style-type: none"> MultiMediaCard (MMC) Secure Digital (SD) Memory Card Secure Digital High Capacity (SDHC) Memory Card Secure Digital Extended Capacity (SDxC) Memory Card

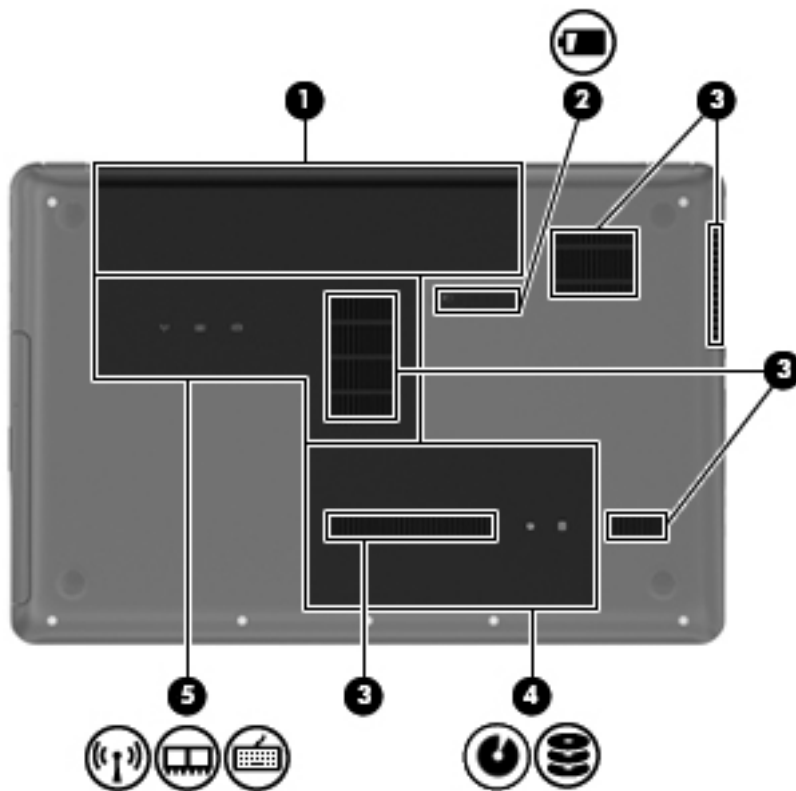
Item	Component	Description
(9)	Hard drive light	<ul style="list-style-type: none"> Blinking white: The hard drive is being accessed. Off: The hard drive is idle.
(10)	Power light	<ul style="list-style-type: none"> White: The computer is on. Blinking white: The computer is in the Sleep state. Off: The computer is off or in Hibernation.

Right side



Item	Component	Description
(1)	Optical drive (select models only)	Reads and writes to an optical disc.
(2)	Optical drive light	<ul style="list-style-type: none"> On: The optical drive is in use. Off: The optical drive is idle.
(3)	USB ports (2)	Connect optional USB devices.
(4)	Power connector	Connects an AC adapter.
(5)	Battery/AC adapter light	<ul style="list-style-type: none"> White: The computer is connected to external power and the battery is fully charged. Amber: A battery is charging. Blinking amber: The battery has reached a low battery level, or there is a battery error. When a battery reaches a critical battery level, the battery light begins blinking rapidly.
(6)	Security cable slot	Attaches an optional security cable to the computer. NOTE: The security cable is designed to act as a deterrent, but it may not prevent the computer from being mishandled or stolen.

Bottom

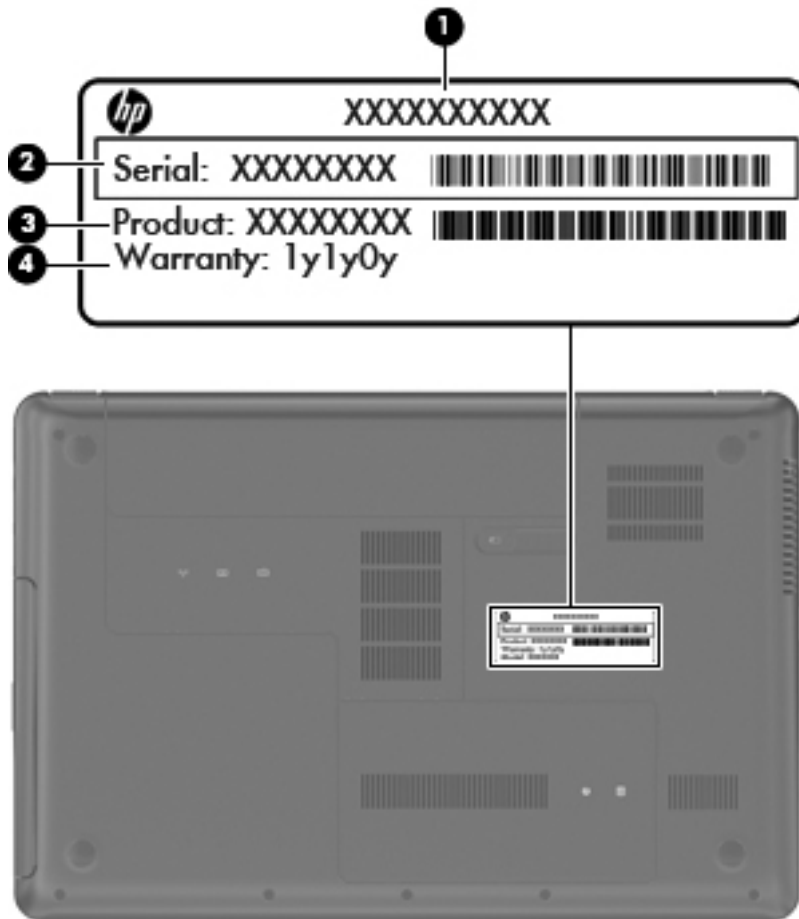


Item	Component	Description
(1)	Battery bay	Holds the battery.
(2)	Battery release latch	Releases the battery from the battery bay.
(3)	Vents (5)	Enable airflow to cool internal components. NOTE: The computer fan starts up automatically to cool internal components and prevent overheating. It is normal for the internal fan to cycle on and off during routine operation.
(4)	Hard drive bay	Holds the hard drive.
(5)	Memory module compartment	Contains the wireless LAN (WLAN) device and the memory module slots. CAUTION: To prevent an unresponsive system, replace the wireless module only with a wireless module authorized for use in the computer by the governmental agency that regulates wireless devices in your country or region. If you replace the module and then receive a warning message, remove the module to restore computer functionality, and then contact technical support through Help and Support.

3 Illustrated parts catalog

Service tag

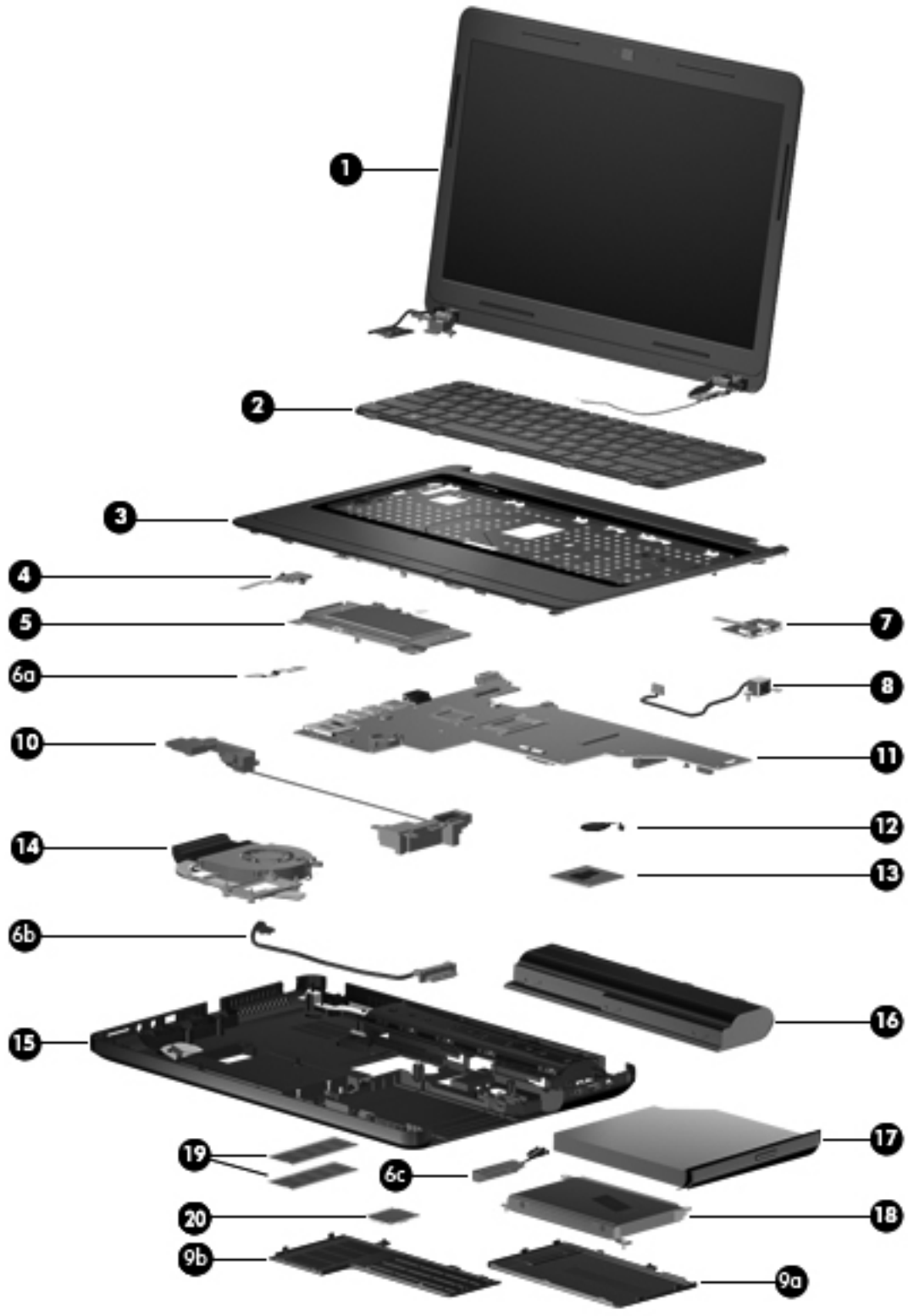
When ordering parts or requesting information, provide the computer serial number and model description provided on the service tag.



Item	Description	Function
(1)	Product name	This is the product name affixed to the front of the computer.
(2)	Serial number (s/n)	This is an alphanumeric identifier that is unique to each product.

Item	Description	Function
(3)	Part number/Product number (p/n)	This number provides specific information about the product's hardware components. The part number helps a service technician to determine what components and parts are needed.
(4)	Warranty period	This number describes the duration of the warranty period for the computer.

Computer major components



Item	Component	Spare part number
(1)	14.0-in, high definition (HD), light-emitting diode (LED), display assembly (includes webcam, microphone, and wireless antenna transceivers and cables):	
	For use with all computer models:	
	AntiGlare in pewter finish	646666-001
	BrightView in pewter finish	646664-001
	For use only with Compaq 435 and Compaq 436 computer models:	
	AntiGlare in charcoal gray finish	647607-001
	BrightView in charcoal gray finish	645984-001
	NOTE: For more display assembly spare part information, see Display assembly subcomponents on page 26 .	
(2)	Keyboard (includes keyboard cable):	
	For use in Brazil	646125-201
	For use in Latin America	646125-161
	For use in South Korea	646125-AD1
	For use in Taiwan	646125-AB1
	For use in Thailand	646125-281
	For use in the United States	646125-001
(3)	Top cover (includes TouchPad and TouchPad cable):	
	In pewter finish for use with all computer models	646667-001
	In charcoal gray finish for use only with Compaq 435 and Compaq 436 computer models	645963-001
(4)	Power button board (includes cable)	646171-001
(5)	TouchPad button board (includes bracket and cable)	646172-001
	Cable Kit , includes:	645968-001
(6a)	TouchPad cable	
(6b)	Optical drive connector cable	
(6c)	Hard drive connector cable	
	NOTE: See Cable Kit on page 25 for more Cable Kit spare part information.	
(7)	USB board (includes cable)	645972-001
(8)	Power connector cable	646173-001
	Plastics Kit , includes:	645981-001
(9a)	Hard drive compartment cover (includes one captive screw, secured by a C-clip)	
(9b)	Memory module/wireless module compartment cover (includes one captive screw, secured by a C-clip)	
	NOTE: See Plastics Kit on page 30 for more Plastics Kit spare part information.	

Item	Component	Spare part number
(10)	Speaker Kit (includes left and right speakers and cable)	645978-001
(11)	System board (includes replacement thermal material):	
	For use only with computer models equipped with an AMD Athlon II, Phenom II, Turion II, or V-Series processor and a graphics subsystem with discrete memory	646981-001
	For use only with computer models equipped with an AMD Athlon II, Phenom II, Turion II, or V-Series processor and a graphics subsystem with UMA memory	646982-001
	For use only with computer models equipped with an AMD E350 1.60-GHz processor	646980-001
	For use only with computer models equipped with an AMD E240 1.50-GHz processor	646979-001
	For use only with computer models equipped with an Intel Dual Core i5 or i3 processor, a graphics subsystem with discrete video memory, and 1024-MB of graphics subsystem memory	646672-001
	For use only with computer models equipped with an Intel Dual Core i5 or i3 processor, a graphics subsystem with discrete video memory, and 512-MB of graphics subsystem memory	646673-001
	For use only with computer models equipped with an Intel Dual Core i5 or i3 processor, and a graphics subsystem with UMA video memory	646671-001
	For use only with computer models equipped with an Intel Pentium processor, a graphics subsystem with discrete video memory, and 512-MB of graphics subsystem memory	646670-001
	For use only with computer models equipped with an Intel Pentium processor and a graphics subsystem with UMA video memory	646669-001
	For use only with computer models equipped with an Intel Celeron or Core 2 Duo processor and a graphics subsystem with UMA video memory	646668-001
(12)	RTC battery (includes cable and double-sided tape)	646132-001
(13)	Processor (includes replacement thermal material):	
	AMD Phenom II N970 Quad Core 2.20-GHz processor (2.0-MB L2 cache, 1333-MHz FSB, 35 W, 3.6 gigatransfers/second)	635496-001
	AMD Phenom II P960 Quad Core 1.80-GHz processor (2.0-MB L2 cache, 1066-MHz FSB, 25 W, 3.6 gigatransfers/second)	634689-001
	AMD Phenom II N660 Triple Core 3.00-GHz processor (2.0-MB L2 cache, 1333-MHz FSB, 35 W, 3.6 gigatransfers/second)	635494-001
	AMD Phenom II N650 Dual Core 2.60-GHz processor (2.0-MB L2 cache, 1333-MHz FSB, 25 W, 3.6 gigatransfers/second)	634687-001
	AMD Athlon II N370 Dual Core 2.50-GHz processor (1.0-MB L2 cache, 1066-MHz FSB, 35 W, 3.2 gigatransfers/second)	634686-001
	AMD Athlon II N350 Dual Core 2.40-GHz processor (1.0-MB L2 cache, 1066-MHz FSB, 35 W, 3.2 gigatransfers/second)	616334-001
	AMD Athlon II P360 Dual Core 2.30-GHz processor (1.0-MB L2 cache, 1066-MHz FSB, 35 W, 3.2 gigatransfers/second)	636635-001
	AMD Athlon II P340 Dual Core 2.20-GHz processor (1.0-MB L2 cache, 1066-MHz FSB, 25 W, 3.2 gigatransfers/second)	616343-001

Item	Component	Spare part number
	AMD Turion II P560 Dual Core 2.50-GHz processor (2.0-MB L2 cache, 1066-MHz FSB, 35 W, 3.6 gigatransfers/second)	634691-001
	AMD Sempron V160 Single Core 2.40-GHz processor (512-KB L2 cache, 1066-MHz FSB, 25 W, 3.2 gigatransfers/second)	636634-001
	AMD Sempron V140 Single Core 2.30-GHz processor (512-KB L2 cache, 1066-MHz FSB, 25 W, 3.2 gigatransfers/second)	616333-001
	AMD E350 1.60-GHz processor (Dual Core, 18-W)	635498-001
	AMD E240 1.50-GHz processor (Single Core, 18-W)	635499-001
	Intel Dual Core i5-2540M 2.60-GHz processor (SC turbo up to 3.30-GHz; 3.0-MB L3 cache, 35 W)	631255-001
	Intel Dual Core i5-2520M 2.50-GHz processor (SC turbo up to 3.20-GHz; 3.0-MB L3 cache, 35 W)	631253-001
	Intel Dual Core i5-2410M 2.30-GHz processor (SC turbo up to 2.90-GHz; 3.0-MB L3 cache, 35 W)	638039-001
	Intel Dual Core i3-2330M 2.20-GHz processor (3.0-MB L3 cache 35 W)	653339-001
	Intel Dual Core i3-2310M 2.10-GHz processor (3.0-MB L3 cache 35 W)	638037-001
	Intel Pentium P6300 2.26-GHz processor (3.0-MB L3 cache, dual core, 35 W)	635500-001
	Intel Pentium P6200 2.13-GHz processor (3.0-MB L3 cache, dual core, 35 W)	625831-001
	Intel Core 2 Duo P7570 2.26-GHz processor (3.0-MB L2 cache, 1066-MHz FSB, 25 W)	572930-001
	Intel Core 2 Duo T6670 2.20-GHz processor (2.0-MB L3 cache, 800-MHz FSB)	572927-001
	Intel Celeron DC T3500 2.10-GHz processor (1.0-MB L2 cache, 800-MHz FSB)	625830-001
	Intel Celeron DC T3300 2.00-GHz processor (1.0-MB L2 cache, 800-MHz FSB)	592399-001
	Intel Celeron SC B950 2.10-GHz processor (1.0-MB L2 cache, 800-MHz FSB)	653338-001
	Intel Celeron SC B940 2.00-GHz processor (1.0-MB L2 cache, 800-MHz FSB)	653337-001
	Intel Celeron SC C925 2.30-GHz processor (1.0-MB L2 cache, 800-MHz FSB)	636636-001
	Intel Celeron SC C900 2.20-GHz processor (1.0-MB L2 cache, 800-MHz FSB)	534419-001
	Intel Celeron SC B810 1.60-GHz processor (1.0-MB L2 cache, 800-MHz FSB)	646760-001
(14)	Fan/heat sink assembly (includes replacement thermal material):	
	For use only with computer models equipped with an AMD Athlon II, Phenom II, Turion II, or V-Series processor and a graphics subsystem with discrete memory	647319-001
	For use only with computer models equipped with an AMD Athlon II, Phenom II, Turion II, or V-Series processor and a graphics subsystem with UMA memory	647318-001
	For use only with computer models equipped with an AMD E350 or E240 processor and a graphics subsystem with discrete memory	647317-001
	For use only with computer models equipped with an AMD E350 or E240 processor and a graphics subsystem with UMA memory	647316-001

Item	Component	Spare part number
	For use only with computer models equipped with an Intel Dual Core i5 or i3 processor and a graphics subsystem with discrete video memory	646182-001
	For use only with computer models equipped with an Intel Dual Core i5 or i3 processor and a graphics subsystem with UMA video memory	646183-001
	For use only with computer models equipped with an Intel Pentium processor and a graphics subsystem with discrete video memory	646180-001
	For use only with computer models equipped with an Intel Pentium processor and a graphics subsystem with UMA video memory	646181-001
	For use only with computer models equipped with an Intel Celeron or Core 2 processor and a graphics subsystem with UMA video memory	646184-001
(15)	Base enclosure (includes battery release latch, heat sink, replacement thermal material, and 4 rubber feet)	646660-001
(16)	Battery:	
	6-cell, 55-Whr, 2.55-Ah Li-ion battery	593554-001
	6-cell, 47-Whr, 2.20-Ah Li-ion battery	593553-001
(17)	Optical drive (select models only, includes bezel and bracket):	
	Blu-ray Disc ROM with SuperMulti DVD±R/RW Double-Layer Drive with LightScribe	645989-001
	DVD±RW and CD-RW Super Multi Double-Layer Combo Drive with LightScribe	645988-001
(18)	Hard drive (2.5-in, 7.0-mm, SATA; does not include hard drive connector cable, hard drive bracket, or screws):	
	For use only with Compaq 435 and Compaq 436 computer models:	
	250-GB, 7200-rpm	649902-001
	For use with all computer models:	
	750-GB, 5400-rpm	634250-001
	640-GB, 5400-rpm	603785-001
	500-GB, 7200-rpm	634925-001
	500-GB, 5400-rpm	634638-001
	320-GB, 7200-rpm	641672-001 and 634862-001
	320-GB, 5400-rpm	645193-001 and 622643-001
	250-GB, 7200-rpm	634861-001
	Hard Drive Hardware Kit (not illustrated, includes hard drive bracket and screws)	645969-001
(19)	Memory modules (2, PC3, 10600, 1333-MHz):	
	4 GB	621569-001
	2 GB	621565-001
	1 GB	639738-001

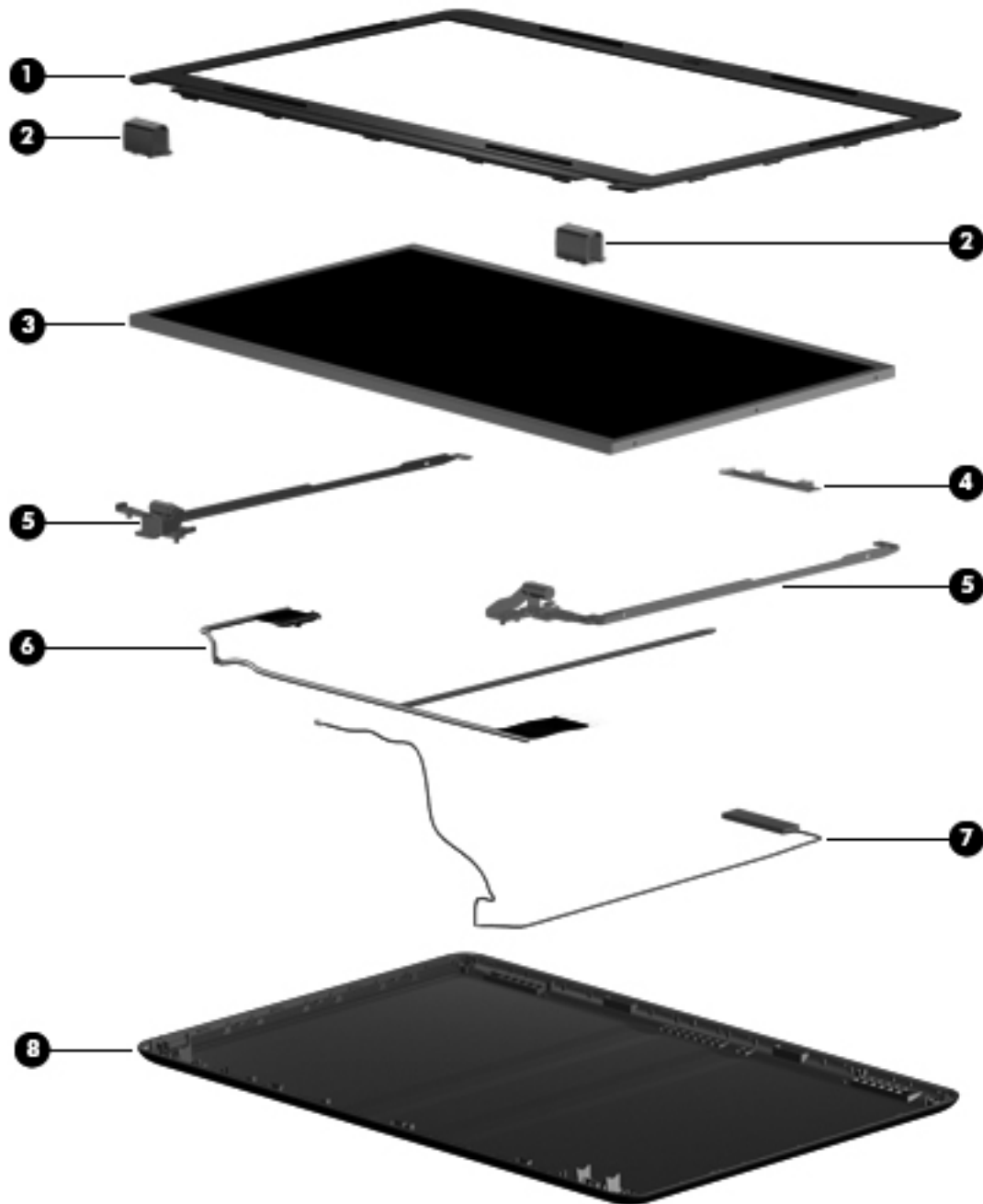
Item	Component	Spare part number
(20)	WLAN module:	
	Atheros AR9002WB-1NGB 802.11b/g/n 1×1 WiFi and Bluetooth 2.1+EDR Combo Adapter (BT3.0+HS ready)	593127-001
	Ralink 5390GN 802.11b/g/n 1×1 WiFi Adapter	630703-001
	Realtek 8188BC8 802.11a/b/g/n 2×2 WiFi and Bluetooth 3.0+HS Combo Adapter	602993-001
	Realtek 8188GN 802.11b/g/n 1×1 WiFi Adapter	640926-001

Cable Kit



Item	Component	Spare part number
	Cable Kit , includes:	645968-001
(1)	TouchPad cable	
(2)	Optical drive connector cable	
(3)	Hard drive connector cable	

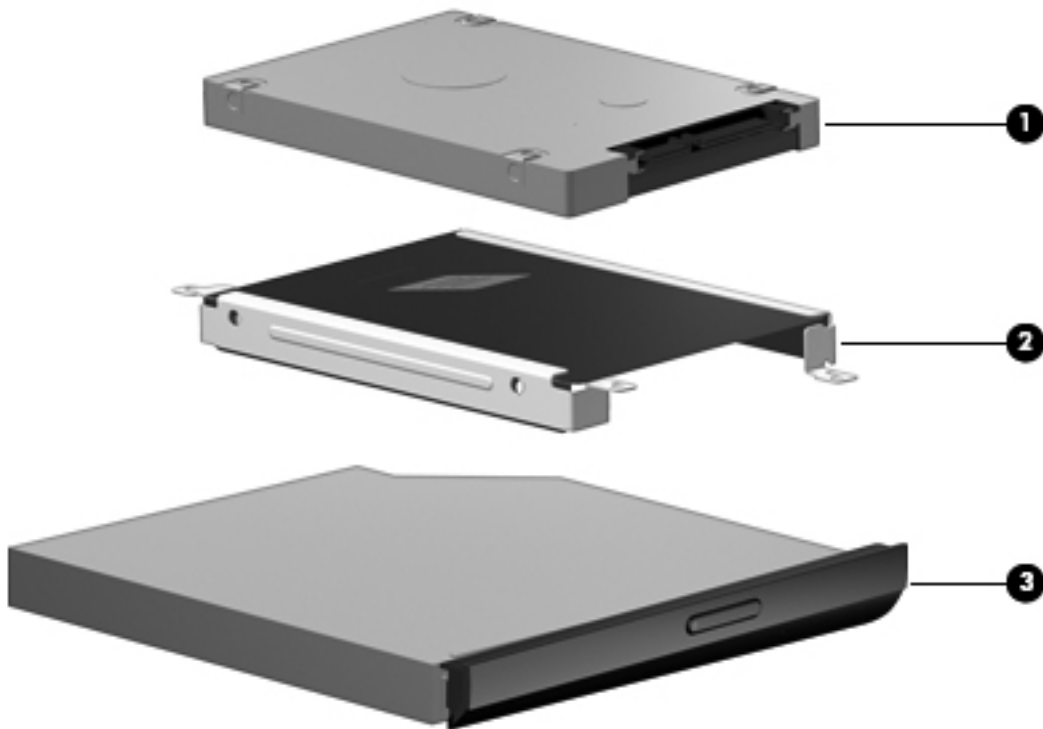
Display assembly subcomponents



Item	Component	Spare part number
(1)	Display bezel:	
	In pewter finish for use with all computer models	646661-001
	In charcoal gray finish for use only with Compaq 435 and Compaq 436 computer models	645964-001
(2)	Display hinge covers (2)	645971-001

Item	Component	Spare part number
(3)	14.0-in, HD, LED display panel:	
	14.0-in, HD, LED, AntiGlare display panel	646674-001
	14.0-in, HD, LED, BrightView display panel	645987-001
(4)	Webcam/microphone module	646138-001
(5)	Display Hinge Kit (includes left and right display hinges and brackets)	645970-001
(6)	Display Cable Kit (includes display panel cable and webcam/microphone module cable)	645967-001
(7)	Antenna Kit (includes left and right wireless antenna cables and transceivers)	645966-001
(8)	Display enclosure:	
	In pewter finish for use with all computer models	646659-001
	In charcoal gray finish for use only with Compaq 435 and Compaq 436 computer models	645959-001
	Display Screw Kit (not illustrated, includes Mylar screw covers and screws)	645976-001

Mass storage devices



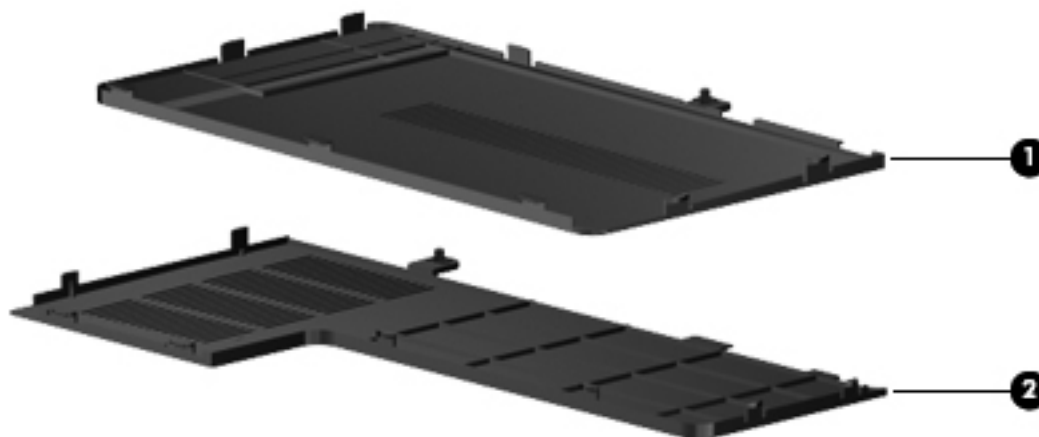
Item	Component	Spare part number
(1)	Hard drive (2.5-in, 7.0-mm, SATA; does not include hard drive connector cable, hard drive bracket, or screws):	
	For use only with Compaq 435 and Compaq 436 computer models:	
	250-GB, 7200-rpm	649902-001
	For use with all computer models:	
	750-GB, 5400-rpm	634250-001
	640-GB, 5400-rpm	603785-001
	500-GB, 7200-rpm	634925-001
	500-GB, 5400-rpm	634638-001
	320-GB, 7200-rpm	641672-001 and 634862-001
	320-GB, 5400-rpm	645193-001 and 622643-001
	250-GB, 7200-rpm	634861-001
	Hard Drive Hardware Kit , includes:	645969-001
(2)	Hard drive bracket	
	Screws (not illustrated)	
(3)	Optical drive (select models only, includes bezel and bracket):	

Item	Component	Spare part number
	Blu-ray Disc ROM with SuperMulti DVD±R/RW Double-Layer Drive with LightScribe	645989-001
	DVD±RW and CD-RW Super Multi Double-Layer Combo Drive with LightScribe	645988-001

Miscellaneous parts

Component	Spare part number
HP Smart AC adapter:	
90-W PFC RC V EM HP Smart AC adapter	609940-001
90-W PFC RC V HP Smart AC adapter	609947-001
65-W RC V EM HP Smart AC adapter	609948-001
65-W RC V HP Smart AC adapter	609939-001
Power cord (3-pin, black, 1.83-m):	
For use in Argentina	490371-D01
For use in Australia	490371-011
For use in Brazil	490371-202
For use in India	490371-D61
For use in North America	490371-001
For use in the People's Republic of China	490371-AA1
For use in South Korea	490371-AD1
For use in Taiwan	490371-AB1
For use in Thailand	490371-201
For use in the United Kingdom and Singapore	490371-031
Screw Kit	645977-001

Plastics Kit



Item	Component	Spare part number
	Plastics Kit , includes:	646131-001
(1)	Hard drive compartment cover (includes one captive screw, secured by a C-clip)	
(2)	Memory module/wireless module compartment cover (includes one captive screw, secured by a C-clip)	

Sequential part number listing

Spare part number	Description
490371-001	Power cord for use in North America (3-pin, black, 1.83-m)
490371-011	Power cord for use in Australia (3-pin, black, 1.83-m)
490371-031	Power cord for use in the United Kingdom and Singapore (3-pin, black, 1.83-m)
490371-201	Power cord for use in Thailand (3-pin, black, 1.83-m)
490371-202	Power cord for use in Brazil (3-pin, black, 1.83-m)
490371-AA1	Power cord for use in the People's Republic of China (3-pin, black, 1.83-m)
490371-AB1	Power cord for use in Taiwan (3-pin, black, 1.83-m)
490371-AD1	Power cord for use in South Korea (3-pin, black, 1.83-m)
490371-D01	Power cord for use in Argentina (3-pin, black, 1.83-m)
490371-D61	Power cord for use in India (3-pin, black, 1.83-m)
534419-001	Intel Celeron SC C900 2.20-GHz processor (1.0-MB L2 cache, 800-MHz FSB; includes replacement thermal material)
572927-001	Intel Core 2 Duo T6670 2.20-GHz processor (2.0-MB L3 cache, 800-MHz FSB; includes replacement thermal material)

Spare part number	Description
572930-001	Intel Core 2 Duo P7570 2.26-GHz processor (3.0-MB L2 cache, 1066-MHz FSB, 25 W; includes replacement thermal material)
592399-001	Intel Celeron DC T3300 2.00-GHz processor (1.0-MB L2 cache, 800-MHz FSB; includes replacement thermal material)
593127-001	Atheros AR9002WB-1NGB 802.11b/g/n 1×1 WiFi and Bluetooth 2.1+EDR Combo Adapter (BT3.0+HS ready)
593553-001	6-cell, 47-Whr, 2.20-Ah Li-ion battery
593554-001	6-cell, 55-Whr, 2.55-Ah Li-ion battery
602993-001	Realtek 8188BC8 802.11a/b/g/n 2×2 WiFi and Bluetooth 3.0+HS Combo Adapter
603785-001	640-GB, 5400-rpm hard drive (2.5-in, 7.0-mm, SATA; does not include hard drive connector cable, hard drive bracket, or screws)
609939-001	65-W RC V HP Smart AC adapter
609940-001	90-W PFC RC V EM HP Smart AC adapter
609947-001	90-W PFC RC V HP Smart AC adapter
609948-001	65-W RC V EM HP Smart AC adapter
616333-001	AMD Sempron V140 Single Core 2.30-GHz processor (512-KB L2 cache, 1066-MHz FSB, 25 W, 3.2 gigatransfers/second)
616334-001	AMD Athlon II N350 Dual Core 2.40-GHz processor (1.0-MB L2 cache, 1066-MHz FSB, 35 W, 3.2 gigatransfers/second)
616343-001	AMD Athlon II P340 Dual Core 2.20-GHz processor (1.0-MB L2 cache, 1066-MHz FSB, 25 W, 3.2 gigatransfers/second)
621565-001	2-GB memory module (PC3, 10600, 1333-MHz)
621569-001	4-GB memory module (PC3, 10600, 1333-MHz)
622643-001	320-GB, 5400-rpm hard drive for use with all computer models (2.5-in, 7.0-mm, SATA; does not include hard drive connector cable, hard drive bracket, or screws)
625830-001	Intel Celeron DC T3500 2.10-GHz processor (1.0-MB L2 cache, 800-MHz FSB; includes replacement thermal material)
625831-001	Intel Pentium P6200 2.13-GHz processor (3.0-MB L3 cache, dual core, 35 W; includes replacement thermal material)
630703-001	Ralink 5390GN 802.11b/g/n 1×1 WiFi Adapter
631253-001	Intel Dual Core i5-2520M 2.50-GHz processor (SC turbo up to 3.20-GHz), 3.0-MB L3 cache, 35 W (includes replacement thermal material)
631255-001	Intel Dual Core i5-2540M 2.60-GHz processor (SC turbo up to 3.30-GHz), 3.0-MB L3 cache, 35 W (includes replacement thermal material)
634250-001	750-GB, 5400-rpm hard drive (2.5-in, 7.0-mm, SATA; does not include hard drive connector cable, hard drive bracket, or screws)
634638-001	500-GB, 5400-rpm hard drive (2.5-in, 7.0-mm, SATA; does not include hard drive connector cable, hard drive bracket, or screws)

Spare part number	Description
634686-001	AMD Athlon II N370 Dual Core 2.50-GHz processor (1.0-MB L2 cache, 1066-MHz FSB, 35 W, 3.2 gigatransfers/second)
634687-001	AMD Phenom II N650 Dual Core 2.60-GHz processor (2.0-MB L2 cache, 1333-MHz FSB, 25 W, 3.6 gigatransfers/second)
634689-001	AMD Phenom II P960 Quad Core 1.80-GHz processor (2.0-MB L2 cache, 1066-MHz FSB, 25 W, 3.6 gigatransfers/second)
634691-001	AMD Turion II P560 Dual Core 2.50-GHz processor (2.0-MB L2 cache, 1066-MHz FSB, 35 W, 3.6 gigatransfers/second)
634861-001	250-GB, 7200-rpm hard drive (2.5-in, 7.0-mm, SATA; does not include hard drive connector cable, hard drive bracket, or screws)
634862-001	320-GB, 7200-rpm hard drive (2.5-in, 7.0-mm, SATA; does not include hard drive connector cable, hard drive bracket, or screws)
634925-001	500-GB, 7200-rpm hard drive (2.5-in, 7.0-mm, SATA; does not include hard drive connector cable, hard drive bracket, or screws)
635494-001	AMD Phenom II N660 Triple Core 3.00-GHz processor (2.0-MB L2 cache, 1333-MHz FSB, 35 W, 3.6 gigatransfers/second)
635496-001	AMD Phenom II N970 Quad Core 2.20-GHz processor (2.0-MB L2 cache, 1333-MHz FSB, 35 W, 3.6 gigatransfers/second)
635498-001	AMD E350 1.60-GHz processor (Dual Core, 18-W) 635499-001 AMD E240 1.50-GHz processor (Single Core, 18-W)
635499-001	AMD E240 1.50-GHz processor (Single Core, 18-W)
635500-001	Intel Pentium P6300 2.26-GHz processor (3.0-MB L3 cache, dual core, 35 W; includes replacement thermal material)
636634-001	AMD Sempron V160 Single Core 2.40-GHz processor (512-KB L2 cache, 1066-MHz FSB, 25 W, 3.2 gigatransfers/second)
636635-001	AMD Athlon II P360 Dual Core 2.30-GHz processor (1.0-MB L2 cache, 1066-MHz FSB, 35 W, 3.2 gigatransfers/second)
636636-001	Intel Celeron SC C925 2.30-GHz processor (1.0-MB L2 cache, 800-MHz FSB; includes replacement thermal material)
638037-001	Intel Dual Core i3-2310M 2.10-GHz processor, 3.0-MB L3 cache 35 W (includes replacement thermal material)
638039-001	Intel Dual Core i5-2410M 2.30-GHz processor (SC turbo up to 2.90-GHz), 3.0-MB L3 cache, 35 W (includes replacement thermal material)
639738-001	1-GB memory module (PC3, 10600, 1333-MHz)
640926-001	Realtek 8188GN 802.11b/g/n 1×1 WiFi Adapter
641672-001	320-GB, 7200-rpm hard drive (2.5-in, 7.0-mm, SATA; does not include hard drive connector cable, hard drive bracket, or screws)
645193-001	320-GB, 5400-rpm hard drive for use with all computer models (2.5-in, 7.0-mm, SATA; does not include hard drive connector cable, hard drive bracket, or screws)
645959-001	Display enclosure in charcoal gray finish for use only with Compaq 435 and Compaq 436 computer models

Spare part number	Description
645963-001	Top cover in charcoal gray finish for use only with Compaq 435 and Compaq 436 computer models (includes power button board and cable and TouchPad and TouchPad cable)
645964-001	Display bezel in charcoal gray finish for use only with Compaq 435 and Compaq 436 computer models
645966-001	Antenna Kit (includes left and right wireless antenna cables and transceivers)
645967-001	Display Cable Kit (includes display panel cable and webcam/microphone module cable)
645968-001	Cable Kit (includes TouchPad cable, optical drive connector cable, and hard drive connector cable)
	NOTE: See Cable Kit on page 25 for more Cable Kit spare part information.
645969-001	Hard Drive Hardware Kit (includes hard drive bracket and screws)
645970-001	Display Hinge Kit (includes left and right display hinges and brackets)
645971-001	Display hinge covers
645972-001	USB board (includes cable)
645976-001	Display Screw Kit (includes Mylar screw covers and screws)
645977-001	Screw Kit
645978-001	Speaker Kit (includes left and right speakers and cable)
645981-001	Plastics Kit (includes hard drive compartment cover and memory module/wireless module compartment cover)
	NOTE: See Plastics Kit on page 30 for more Plastics Kit spare part information.
645984-001	14.0-in, HD, LED, BrightView display assembly in charcoal gray finish for use only with Compaq 435 and Compaq 436 models (includes webcam, microphone, and wireless antenna transceivers and cables)
645987-001	14.0-in, HD, LED, BrightView display panel
645988-001	DVD±RW and CD-RW Super Multi Double-Layer Combo Drive with LightScribe (select models only)
645989-001	Blu-ray Disc ROM with SuperMulti DVD±R/RW Double-Layer Drive with LightScribe (select models only)
646125-001	Keyboard for use in the United States (includes keyboard cable)
646125-161	Keyboard for use in Latin America (includes keyboard cable)
646125-201	Keyboard for use in Brazil (includes keyboard cable)
646125-281	Keyboard for use in Thailand (includes keyboard cable)
646125-AB1	Keyboard for use in Taiwan (includes keyboard cable)
646125-AD1	Keyboard for use in South Korea (includes keyboard cable)
646132-001	RTC battery (includes cable and double-sided tape)
646138-001	Webcam/microphone module
646171-001	Power button board (includes cable)

Spare part number	Description
646172-001	TouchPad button board (includes bracket and cable)
646173-001	Power connector cable
646180-001	Fan/heat sink assembly for use only with computer models equipped with an Intel Pentium processor and a graphics subsystem with discrete video memory (includes replacement thermal material)
646181-001	Fan/heat sink assembly for use only with computer models equipped with an Intel Pentium processor and a graphics subsystem with UMA video memory (includes replacement thermal material)
646182-001	Fan/heat sink assembly for use only with computer models equipped with an Intel Dual Core i5 or i3 processor and a graphics subsystem with discrete video memory (includes replacement thermal material)
646183-001	Fan/heat sink assembly for use only with computer models equipped with an Intel Dual Core i5 or i3 processor and a graphics subsystem with UMA video memory (includes replacement thermal material)
646184-001	Fan/heat sink assembly for use only with computer models equipped with an Intel Celeron processor and a graphics subsystem with UMA video memory (includes replacement thermal material)
646659-001	Display enclosure in pewter finish for use with all computer models
646660-001	Base enclosure (includes battery release latch, heat sink, replacement thermal material, and 4 rubber feet)
646661-001	Display bezel in pewter finish for use with all computer models
646664-001	14.0-in, HD, LED, BrightView display assembly in pewter finish for use with all computer models (includes webcam, microphone, and wireless antenna transceivers and cables)
646666-001	14.0-in, HD, LED, AntiGlare display assembly in pewter finish for use with all computer models (includes webcam, microphone, and wireless antenna transceivers and cables)
646667-001	Top cover in pewter finish for use with all computer models (includes power button board and cable and TouchPad and TouchPad cable)
646668-001	System board for use only with computer models equipped with an Intel Celeron or Core 2 Duo processor, a system board with the GM45 chipset, and a graphics subsystem with UMA video memory (includes replacement thermal material)
646669-001	System board for use only with computer models equipped with an Intel Pentium processor, a system board with the HM55 chipset, and a graphics subsystem with UMA video memory (includes replacement thermal material)
646670-001	System board for use only with computer models equipped with an Intel Pentium processor, a system board with the HM55 chipset, a graphics subsystem with discrete video memory, and 512-MB of graphics subsystem memory (includes replacement thermal material)
646671-001	System board for use only with computer models equipped with an Intel Dual Core i5 or i3 processor, a system board with the HM65 chipset, and a graphics subsystem with UMA video memory (includes replacement thermal material)
646672-001	System board for use only with computer models equipped with an Intel Dual Core i5 or i3 processor, a system board with the HM65 chipset, a graphics subsystem with discrete video memory, and 1024-MB of graphics subsystem memory (includes replacement thermal material)

Spare part number	Description
646673-001	System board for use only with computer models equipped with an Intel Dual Core i5 or i3 processor, a system board with the HM65 chipset, a graphics subsystem with discrete video memory, and 512-MB of graphics subsystem memory (includes replacement thermal material)
646674-001	14.0-in, HD, LED, AntiGlare display panel
646760-001	Intel Celeron SC B810 1.60-GHz processor (1.0-MB L2 cache, 800-MHz FSB; includes replacement thermal material)
646979-001	System board for use only with computer models equipped with an AMD E240 1.50-GHz processor (includes replacement thermal material)
646980-001	System board for use only with computer models equipped with an AMD E350 1.60-GHz processor (includes replacement thermal material)
646981-001	System board for use only with computer models equipped with an AMD Athlon II, Phenom II, Turion II, or V-Series processor and a graphics subsystem with discrete memory (includes replacement thermal material)
646982-001	System board for use only with computer models equipped with an AMD Athlon II, Phenom II, Turion II, or V-Series processor and a graphics subsystem with UMA memory (includes replacement thermal material)
647316-001	Fan/heat sink assembly for use only with computer models equipped with an AMD E350 or E240 processor and a graphics subsystem with UMA memory (includes replacement thermal material)
647317-001	Fan/heat sink assembly for use only with computer models equipped with an AMD E350 or E240 processor and a graphics subsystem with discrete memory (includes replacement thermal material)
647318-001	Fan/heat sink assembly for use only with computer models equipped with an AMD Athlon II, Phenom II, Turion II, or V-Series processor and a graphics subsystem with UMA memory (includes replacement thermal material)
647319-001	Fan/heat sink assembly for use only with computer models equipped with an AMD Athlon II, Phenom II, Turion II, or V-Series processor and a graphics subsystem with discrete memory (includes replacement thermal material)
647607-001	14.0-in, HD, LED, AntiGlare display assembly in charcoal gray finish for use only with Compaq 435 and Compaq 436 models (includes webcam, microphone, and wireless antenna transceivers and cables)
649902-001	250-GB, 7200-rpm hard drive for use only with Compaq 435 and Compaq 436 models (2.5-in, 7.0-mm, SATA; does not include hard drive connector cable, hard drive bracket, or screws)
653337-001	Intel Celeron SC B940 2.00-GHz processor (1.0-MB L2 cache, 800-MHz FSB; includes replacement thermal material)
653338-001	Intel Celeron SC B950 2.10-GHz processor (1.0-MB L2 cache, 800-MHz FSB; includes replacement thermal material)
653339-001	Intel Dual Core i3-2330M 2.20-GHz processor, 3.0-MB L3 cache 35 W (includes replacement thermal material)

4 Removal and replacement procedures

Preliminary replacement requirements

Tools required

You will need the following tools to complete the removal and replacement procedures:

- Flat-bladed screwdriver
- Magnetic screwdriver
- Phillips P0 and P1 screwdrivers

Service considerations

The following sections include some of the considerations that you must keep in mind during disassembly and assembly procedures.



NOTE: As you remove each subassembly from the computer, place the subassembly (and all accompanying screws) away from the work area to prevent damage.

Plastic parts



CAUTION: Using excessive force during disassembly and reassembly can damage plastic parts. Use care when handling the plastic parts. Apply pressure only at the points designated in the maintenance instructions.

Cables and connectors



CAUTION: When servicing the computer, be sure that cables are placed in their proper locations during the reassembly process. Improper cable placement can damage the computer.

Cables must be handled with extreme care to avoid damage. Apply only the tension required to unseat or seat the cables during removal and insertion. Handle cables by the connector whenever possible. In all cases, avoid bending, twisting, or tearing cables. Be sure that cables are routed in such a way that they cannot be caught or snagged by parts being removed or replaced. Handle flex cables with extreme care; these cables tear easily.

Drive handling

⚠ CAUTION: Drives are fragile components that must be handled with care. To prevent damage to the computer, damage to a drive, or loss of information, observe these precautions:

Before removing or inserting a hard drive, shut down the computer. If you are unsure whether the computer is off or in Hibernation, turn the computer on, and then shut it down through the operating system.

Before handling a drive, be sure that you are discharged of static electricity. While handling a drive, avoid touching the connector.

Before removing a diskette drive or optical drive, be sure that a diskette or disc is not in the drive and be sure that the optical drive tray is closed.

Handle drives on surfaces covered with at least one inch of shock-proof foam.

Avoid dropping drives from any height onto any surface.

After removing a hard drive, an optical drive, or a diskette drive, place it in a static-proof bag.

Avoid exposing an internal hard drive to products that have magnetic fields, such as monitors or speakers.

Avoid exposing a drive to temperature extremes or liquids.

If a drive must be mailed, place the drive in a bubble pack mailer or other suitable form of protective packaging and label the package "FRAGILE."

Grounding guidelines

Electrostatic discharge damage

Electronic components are sensitive to electrostatic discharge (ESD). Circuitry design and structure determine the degree of sensitivity. Networks built into many integrated circuits provide some protection, but in many cases, ESD contains enough power to alter device parameters or melt silicon junctions.

A discharge of static electricity from a finger or other conductor can destroy static-sensitive devices or microcircuitry. Even if the spark is neither felt nor heard, damage may have occurred.

An electronic device exposed to ESD may not be affected at all and can work perfectly throughout a normal cycle. Or the device may function normally for a while, then degrade in the internal layers, reducing its life expectancy.

⚠ CAUTION: To prevent damage to the computer when you are removing or installing internal components, observe these precautions:

Keep components in their electrostatic-safe containers until you are ready to install them.

Before touching an electronic component, discharge static electricity by using the guidelines described in this section.

Avoid touching pins, leads, and circuitry. Handle electronic components as little as possible.

If you remove a component, place it in an electrostatic-safe container.

The following table shows how humidity affects the electrostatic voltage levels generated by different activities.

⚠ CAUTION: A product can be degraded by as little as 700 V.

Typical electrostatic voltage levels			
Event	Relative humidity		
	10%	40%	55%
Walking across carpet	35,000 V	15,000 V	7,500 V
Walking across vinyl floor	12,000 V	5,000 V	3,000 V
Motions of bench worker	6,000 V	800 V	400 V
Removing DIPS from plastic tube	2,000 V	700 V	400 V
Removing DIPS from vinyl tray	11,500 V	4,000 V	2,000 V
Removing DIPS from Styrofoam	14,500 V	5,000 V	3,500 V
Removing bubble pack from PCB	26,500 V	20,000 V	7,000 V
Packing PCBs in foam-lined box	21,000 V	11,000 V	5,000 V

Packaging and transporting guidelines

Follow these grounding guidelines when packaging and transporting equipment:

- To avoid hand contact, transport products in static-safe tubes, bags, or boxes.
- Protect ESD-sensitive parts and assemblies with conductive or approved containers or packaging.
- Keep ESD-sensitive parts in their containers until the parts arrive at static-free workstations.
- Place items on a grounded surface before removing items from their containers.
- Always be properly grounded when touching a component or assembly.
- Store reusable ESD-sensitive parts from assemblies in protective packaging or nonconductive foam.
- Use transporters and conveyors made of antistatic belts and roller bushings. Be sure that mechanized equipment used for moving materials is wired to ground and that proper materials are selected to avoid static charging. When grounding is not possible, use an ionizer to dissipate electric charges.

Workstation guidelines

Follow these grounding workstation guidelines:

- Cover the workstation with approved static-shielding material.
- Use a wrist strap connected to a properly grounded work surface and use properly grounded tools and equipment.
- Use conductive field service tools, such as cutters, screwdrivers, and vacuums.
- When fixtures must directly contact dissipative surfaces, use fixtures made only of static-safe materials.
- Keep the work area free of nonconductive materials, such as ordinary plastic assembly aids and Styrofoam.
- Handle ESD-sensitive components, parts, and assemblies by the case or PCM laminate. Handle these items only at static-free workstations.
- Avoid contact with pins, leads, or circuitry.
- Turn off power and input signals before inserting or removing connectors or test equipment.

Equipment guidelines

Grounding equipment must include either a wrist strap or a foot strap at a grounded workstation.

- When seated, wear a wrist strap connected to a grounded system. Wrist straps are flexible straps with a minimum of one megohm $\pm 10\%$ resistance in the ground cords. To provide proper ground, wear a strap snugly against the skin at all times. On grounded mats with banana-plug connectors, use alligator clips to connect a wrist strap.
- When standing, use foot straps and a grounded floor mat. Foot straps (heel, toe, or boot straps) can be used at standing workstations and are compatible with most types of shoes or boots. On conductive floors or dissipative floor mats, use foot straps on both feet with a minimum of one megohm resistance between the operator and ground. To be effective, the conductive must be worn in contact with the skin.

The following grounding equipment is recommended to prevent electrostatic damage:

- Antistatic tape
- Antistatic smocks, aprons, and sleeve protectors
- Conductive bins and other assembly or soldering aids
- Nonconductive foam
- Conductive tabletop workstations with ground cords of one megohm resistance
- Static-dissipative tables or floor mats with hard ties to the ground
- Field service kits
- Static awareness labels
- Material-handling packages
- Nonconductive plastic bags, tubes, or boxes
- Metal tote boxes
- Electrostatic voltage levels and protective materials

The following table lists the shielding protection provided by antistatic bags and floor mats.

Material	Use	Voltage protection level
Antistatic plastics	Bags	1,500 V
Carbon-loaded plastic	Floor mats	7,500 V
Metallized laminate	Floor mats	5,000 V

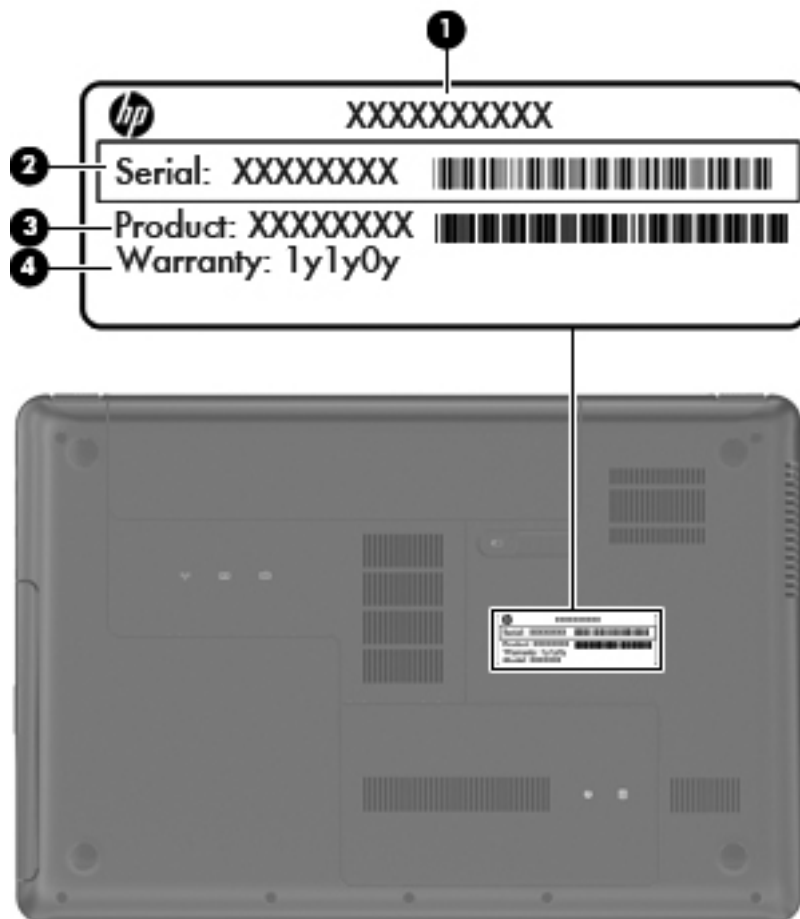
Component replacement procedures

This chapter provides removal and replacement procedures.

There are as many as 72 screws that must be removed, replaced, or loosened when servicing the computer. Make special note of each screw and size and location during removal and replacement.

Service tag

When ordering parts or requesting information, provide the computer serial number and model number provided on the service tag.

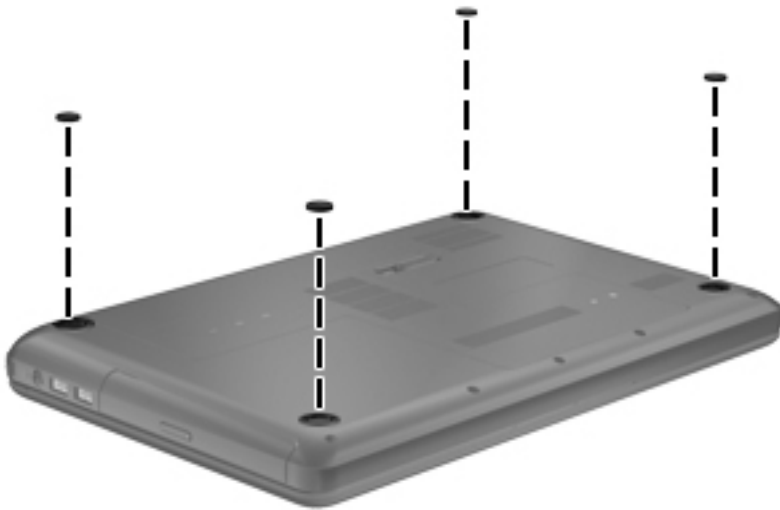


Item	Component	Description
(1)	Product name	This is the product name affixed to the front of the computer.
(2)	Serial number (s/n)	This is an alphanumeric identifier that is unique to each product.

Item	Component	Description
(3)	Part number/Product number (p/n)	This number provides specific information about the product's hardware components. The part number helps a service technician determine what components and parts are needed.
(4)	Warranty period	This number describes the duration of the warranty period for the computer.

Computer feet

The computer feet are adhesive-backed rubber pads. There are 4 rubber feet that attach to the base enclosure in the locations illustrated below.



Battery

Description	Spare part number
6-cell, 55-Whr, 2.55-Ah Li-ion battery	593554-001
6-cell, 47-Whr, 2.20-Ah Li-ion battery	593553-001

Before disassembling the computer, follow these steps:

1. Shut down the computer. If you are unsure whether the computer is off or in Hibernation, turn the computer on, and then shut it down through the operating system.
2. Disconnect all external devices connected to the computer.
3. Disconnect the power from the computer by first unplugging the power cord from the AC outlet and then unplugging the AC adapter from the computer.

Remove the battery:

1. Slide the battery release latch **(1)** to release the battery.
2. Pivot the front edge of the battery **(2)** up and back.
3. Remove the battery **(3)** from the computer.



To insert the battery:

1. Align the tabs on the rear edge of the battery with the notches on the rear edge of the battery bay.
2. Pivot the front edge of the battery down into the battery bay until it is seated. (The battery release latch will automatically lock into place.)

WLAN module

Description	Spare part number
Atheros AR9002WB-1NGB 802.11b/g/n 1×1 WiFi and Bluetooth 2.1+EDR Combo Adapter (BT3.0+HS ready)	593127-001
Ralink 5390GN 802.11b/g/n 1×1 WiFi Adapter	630703-001
Realtek 8188BC8 802.11a/b/g/n 2×2 WiFi and Bluetooth 3.0+HS Combo Adapter	602993-001
Realtek 8188GN 802.11b/g/n 1×1 WiFi Adapter	640926-001

CAUTION: To prevent an unresponsive system, replace the wireless module only with a wireless module authorized for use in the computer by the governmental agency that regulates wireless devices in your country or region. If you replace the module and then receive a warning message, remove the module to restore device functionality, and then contact technical support.

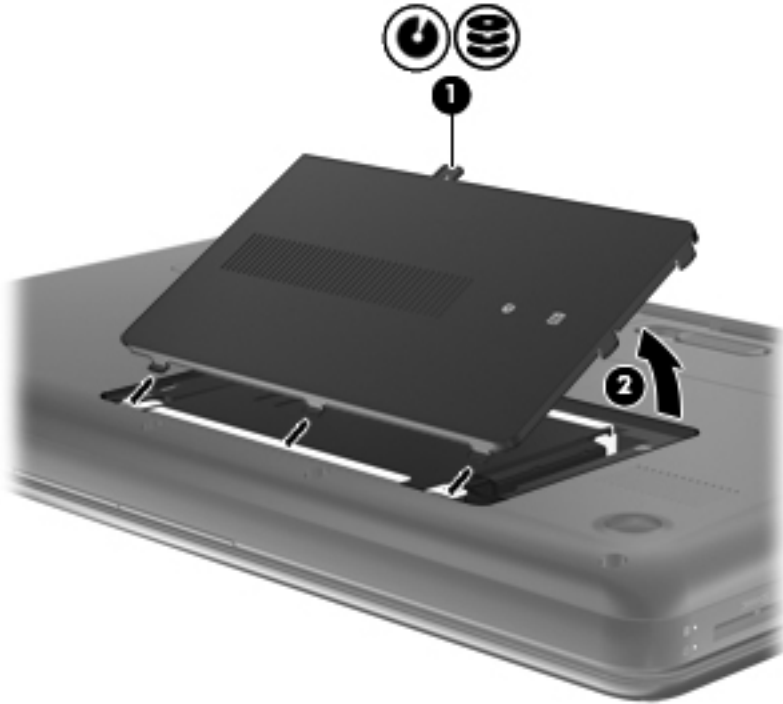
Before removing the WLAN module, follow these steps:

1. Shut down the computer. If you are unsure whether the computer is off or in Hibernation, turn the computer on, and then shut it down through the operating system.
2. Disconnect all external devices connected to the computer.
3. Disconnect the power from the computer by first unplugging the power cord from the AC outlet and then unplugging the AC adapter from the computer.
4. Remove the battery (see [Battery on page 43](#)).
5. Remove the memory module/wireless module compartment cover (see [Optical drive \(select models only\) on page 51](#)).


Remove the WLAN module:

1. Loosen the captive screw **(1)** that secures the memory module/wireless module compartment cover to the computer.


2. Lift the rear edge of the memory module/wireless module compartment cover **(2)** up and forward until it rests at an angle.




3. Remove the memory module/wireless module compartment cover. The memory module/wireless module compartment cover is available in the Plastics Kit, spare part number 645981-001.
4. Disconnect the WLAN antenna cables **(1)** from the terminals on the WLAN module.

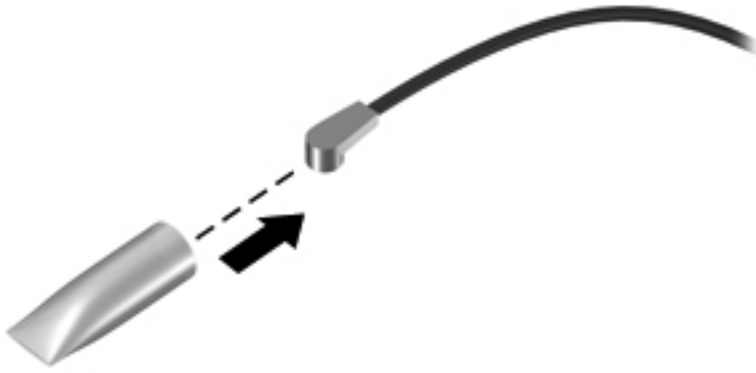
 **NOTE:** The #1 WLAN antenna cable is connected to the WLAN module Main terminal. The #2 WLAN antenna cable is connected to the WLAN module Aux terminal.

5. Remove the Phillips PM2.0×3.0 screw **(2)** that secures the WLAN module to the system board. (The WLAN module tilts up.)
6. Remove the WLAN module by pulling the module away from the slot at an angle **(3)**.

 **NOTE:** The WLAN module is designed with a notch **(4)** to prevent incorrect installation into the WLAN module socket.



 **NOTE:** If the WLAN antennas are not connected to the terminals on the WLAN module, the protective sleeves must be installed on the antenna connectors, as shown in the following illustration.



Reverse this procedure to install the WLAN module.

Memory module

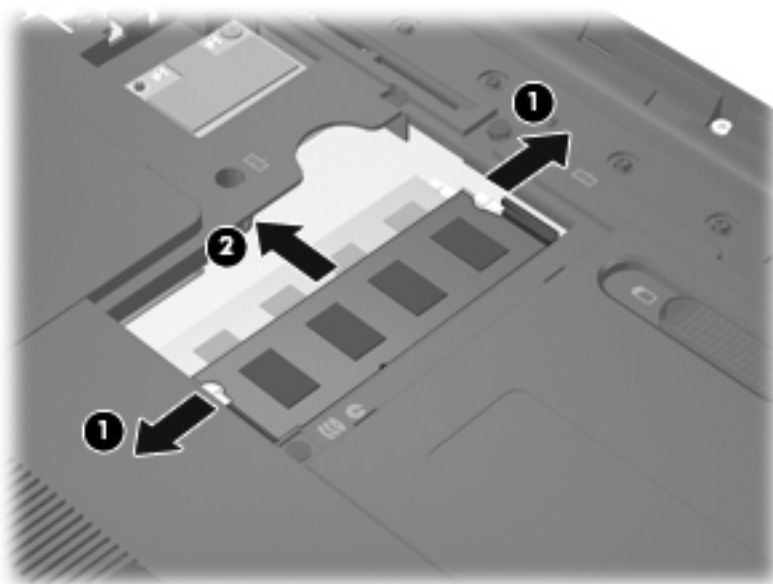
Description	Spare part number
4-GB (PC3, 10600, 1333-MHz)	621569-001
2-GB (PC3, 10600, 1333-MHz)	621565-001
1-GB (PC3, 10600, 1333-MHz)	639738-001

Before removing a memory module, follow these steps:

1. Shut down the computer. If you are unsure whether the computer is off or in Hibernation, turn the computer on, and then shut it down through the operating system.
2. Disconnect all external devices connected to the computer.
3. Disconnect the power from the computer by first unplugging the power cord from the AC outlet and then unplugging the AC adapter from the computer.
4. Remove the battery (see [Battery on page 43](#)).
5. Remove the memory module/wireless module compartment cover (see [WLAN module on page 44](#)).

Remove the memory module:

1. Spread the retaining tabs **(1)** on each side of the memory module slot to release the memory module. (The memory module tilts up.)
2. Remove the memory module **(2)** by pulling it away from the slot at an angle.



Reverse this procedure to install a memory module.

Hard drive



NOTE: The hard drive spare part kit does not include the hard drive connector cable, bracket, or screws. The hard drive connector cable is included in the Cable Kit, spare part number 645968-001. The hard drive bracket and screws are included in the Hard Drive Hardware Kit, spare part number 645969-001.

Description	Spare part number
For use only with Compaq 435 and Compaq 436 computer models:	
250-GB, 7200-rpm	649902-001
For use with all computer models:	
750-GB, 5400-rpm	634250-001
640-GB, 5400-rpm	603785-001
500-GB, 7200-rpm	634925-001
500-GB, 5400-rpm	634638-001
320-GB, 7200-rpm	641672-001 and 634862-001
320-GB, 5400-rpm	645193-001 and 622643-001
250-GB, 7200-rpm	634861-001

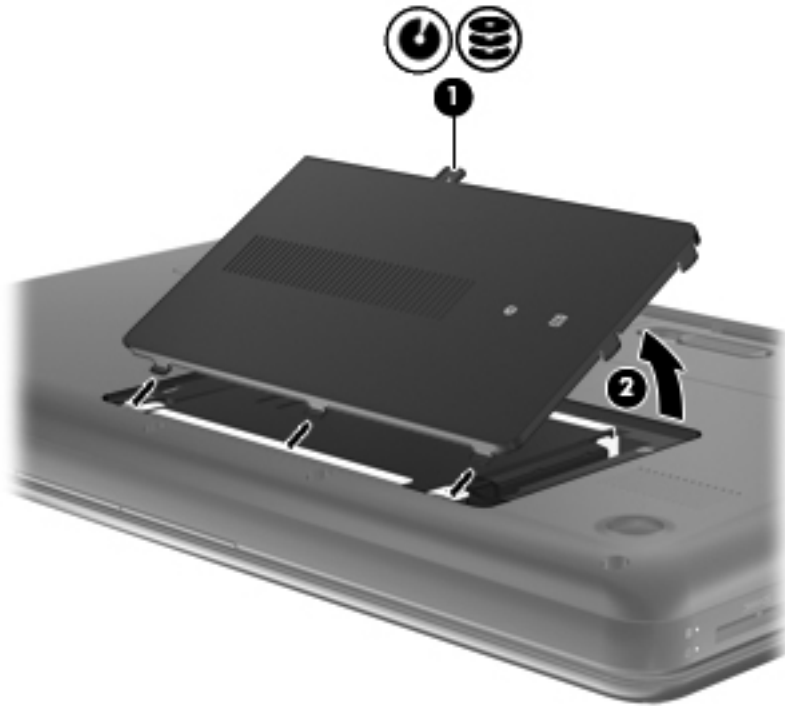
Before removing the hard drive, follow these steps:

1. Shut down the computer. If you are unsure whether the computer is off or in Hibernation, turn the computer on, and then shut it down through the operating system.
2. Disconnect all external devices connected to the computer.
3. Disconnect the power from the computer by first unplugging the power cord from the AC outlet and then unplugging the AC adapter from the computer.
4. Remove the battery (see [Battery on page 43](#)).
5. Remove the memory module/wireless module compartment cover (see [WLAN module on page 44](#)).

Remove the hard drive:

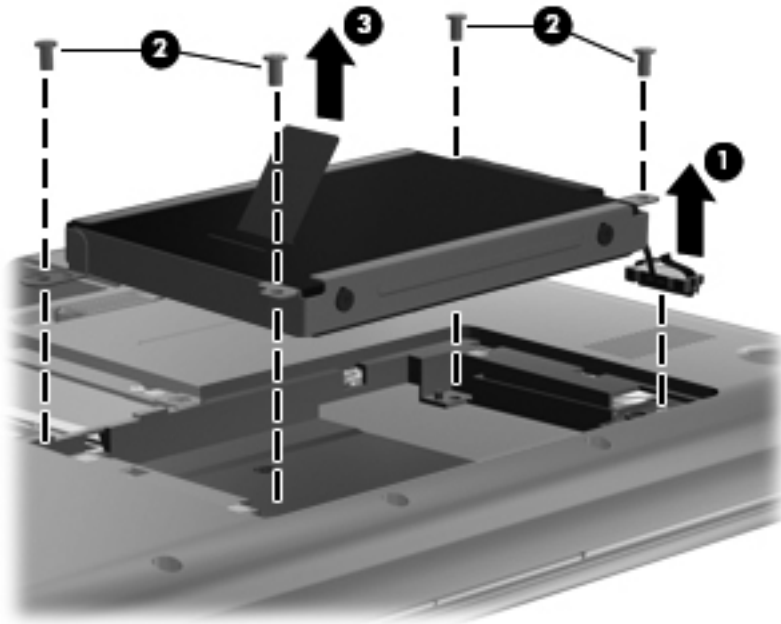
1. Loosen the captive screw **(1)** that secures the hard drive compartment cover to the computer.

2. Lift the rear edge of the hard drive compartment cover **(2)** up and forward until it rests at an angle.

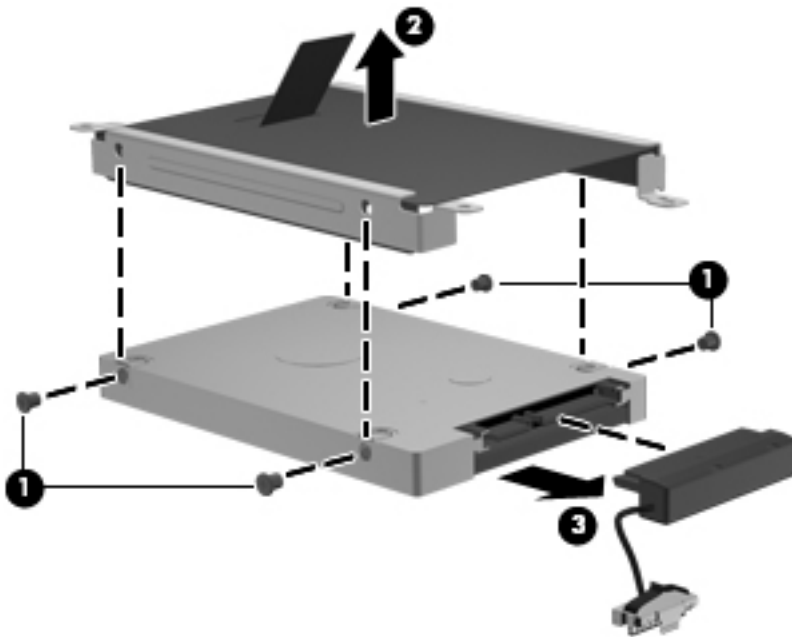


3. Remove the hard drive compartment cover. The hard drive compartment cover is available in the Plastics Kit, spare part number 645981-001.
4. Disconnect the hard drive connector cable **(1)** from the system board.
5. Remove the four Phillips PM 2.5×6.0 screws **(2)** that secure the hard drive to the computer.

6. Remove the hard drive **(3)**.




7. If it is necessary to replace the hard drive screws **(1)**, the hard drive bracket **(2)**, or the hard drive connector cable **(3)**, remove and replace the components.



Reverse this procedure to reassemble and install the hard drive.

Optical drive (select models only)

 **NOTE:** The optical drive spare part kit includes a bezel and bracket.

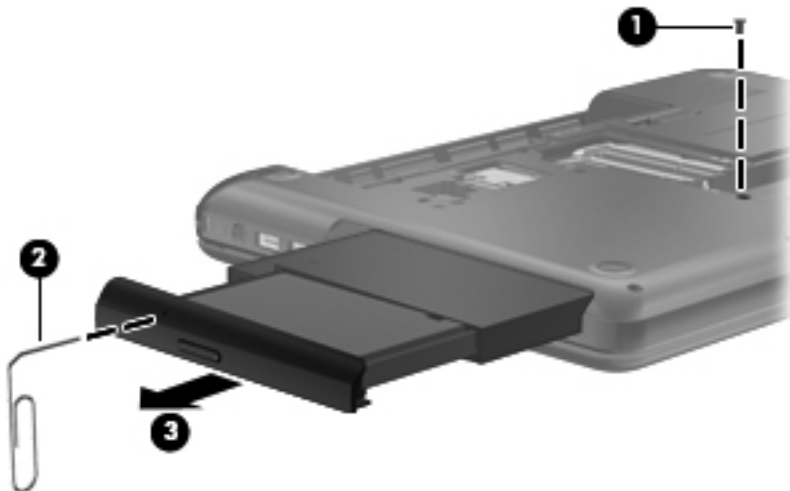
Description	Spare part number
Blu-ray Disc ROM with SuperMulti DVD±R/RW Double-Layer Drive with LightScribe	645989-001
DVD±RW and CD-RW Super Multi Double-Layer Combo Drive with LightScribe	645988-001

Before removing the optical drive, follow these steps:

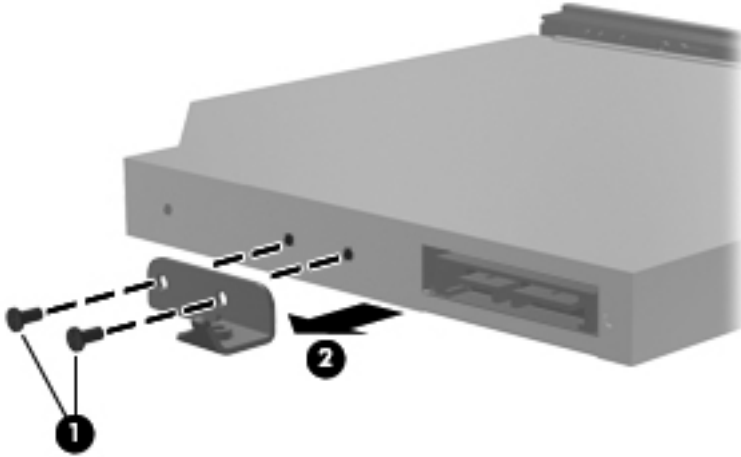
1. Shut down the computer. If you are unsure whether the computer is off or in Hibernation, turn the computer on, and then shut it down through the operating system.
2. Disconnect all external devices connected to the computer.
3. Disconnect the power from the computer by first unplugging the power cord from the AC outlet and then unplugging the AC adapter from the computer.
4. Remove the battery (see [Battery on page 43](#)).
5. Remove the memory module/wireless module compartment cover (see [WLAN module on page 44](#)).
6. Remove the hard drive compartment cover (see [Hard drive on page 48](#)).

Remove the optical drive:

1. Remove the Phillips PM2.5×6.0 screw **(1)** that secures the optical drive to the computer.
2. Insert an unbent paper clip or similar thin tool into the optical drive tab access **(2)** to release the optical drive tray from the optical drive.
3. Remove the optical drive **(3)** by sliding it out of the optical drive bay.



4. If it is necessary to replace the optical drive bracket, position the optical drive with the rear panel toward you.
5. Remove the two Phillips PM2.0×3.0 screws **(1)** that secure the bracket to the optical drive.
6. Remove the optical drive bracket **(2)**.



Reverse this procedure to reassemble and install the optical drive.

Keyboard



NOTE: The keyboard spare part kit includes a keyboard cable.

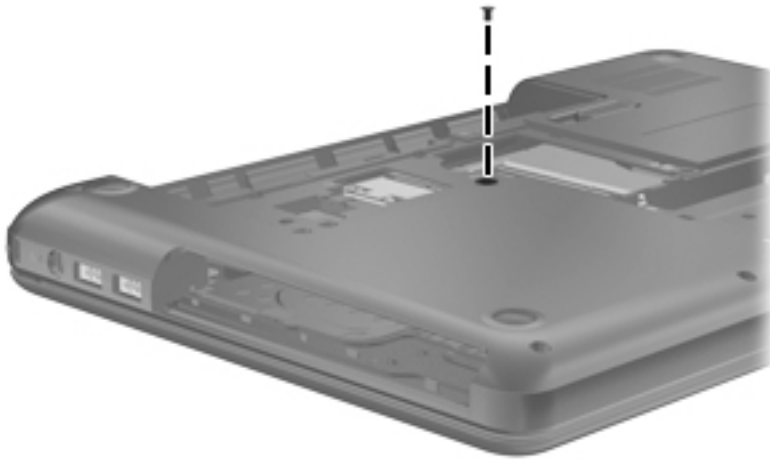
Description	Spare part number
For use in Brazil	646125-201
For use in Latin America	646125-161
For use in South Korea	646125-AD1
For use in Taiwan	646125-AB1
For use in Thailand	646125-281
For use in the United States	646125-001

Before removing the keyboard, follow these steps:

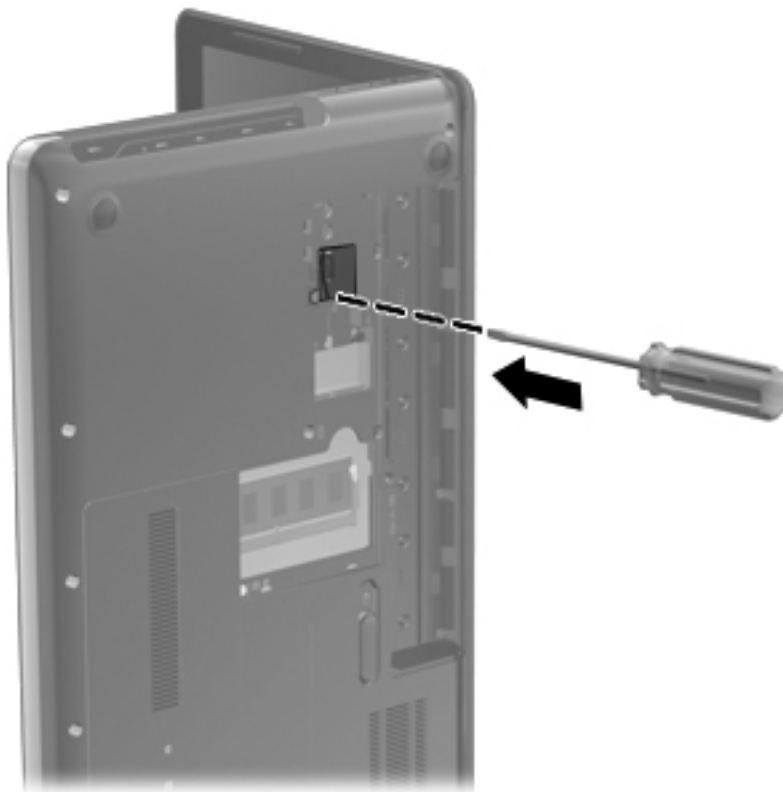
1. Shut down the computer. If you are unsure whether the computer is off or in Hibernation, turn the computer on, and then shut it down through the operating system.
2. Disconnect all external devices connected to the computer.
3. Disconnect the power from the computer by first unplugging the power cord from the AC outlet and then unplugging the AC adapter from the computer.
4. Remove the battery (see [Battery on page 43](#)).
5. Remove the memory module/wireless module compartment cover (see [Optical drive \(select models only\) on page 51](#)).
6. Remove the hard drive compartment cover (see [Hard drive on page 48](#)).

Remove the keyboard:

1. Remove the Phillips PM2.5×5.0 screw that secures the keyboard to the computer.

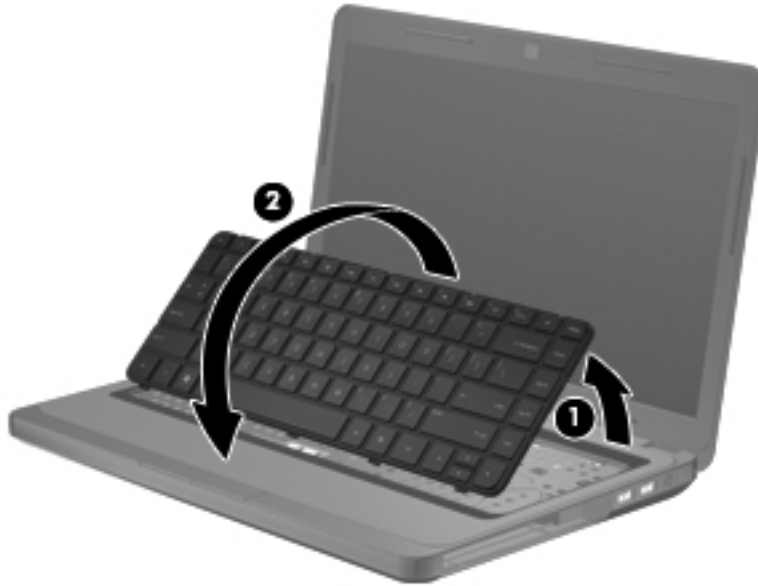


2. Rest and secure the computer on its left side.
3. Partially open the computer.
4. Insert a screw driver or similar thin tool into the keyboard release hole, and then press on the back of the keyboard until the keyboard disengages from the computer.

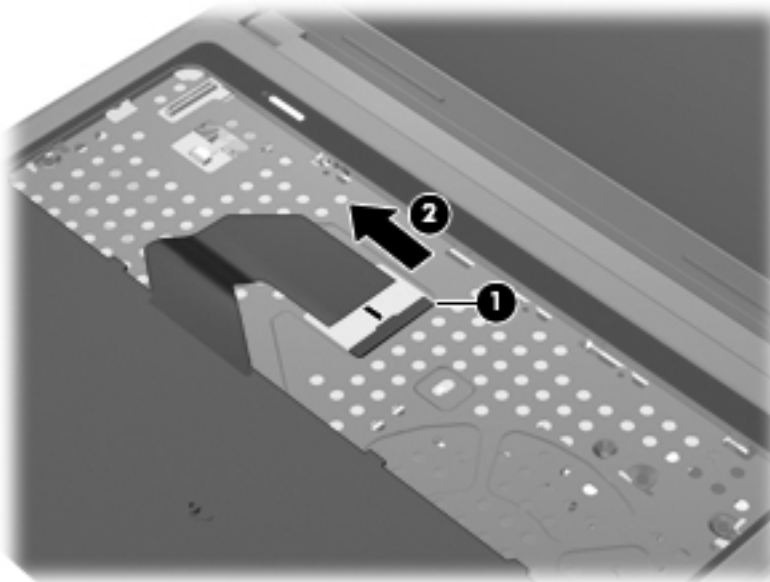


5. Turn the computer right-side up with the front toward you.

6. Lift the rear edge of the keyboard **(1)**, and then swing the keyboard up and forward **(2)** until it rests upside down on the palm rest.



7. Release the zero insertion force (ZIF) connector **(1)** to which the keyboard cable is attached, and then disconnect the keyboard cable **(2)** from the system board.



8. Remove the keyboard.

Reverse this procedure to install the keyboard.

Top cover



NOTE: The top cover spare part kit includes the TouchPad and TouchPad cable.

Description	Spare part number
In pewter finish for use with all computer models	646667-001
In charcoal gray finish for use only with Compaq 435 and Compaq 436 computer models	645963-001

Before removing the top cover, follow these steps:

1. Shut down the computer. If you are unsure whether the computer is off or in Hibernation, turn the computer on, and then shut it down through the operating system.
2. Disconnect all external devices connected to the computer.
3. Disconnect the power from the computer by first unplugging the power cord from the AC outlet and then unplugging the AC adapter from the computer.
4. Remove the battery (see [Battery on page 43](#)), and then remove the following components:
 - Memory module/wireless module compartment cover (see [WLAN module on page 44](#))
 - Hard drive (see [Hard drive on page 48](#))
 - Keyboard (see [Keyboard on page 53](#))



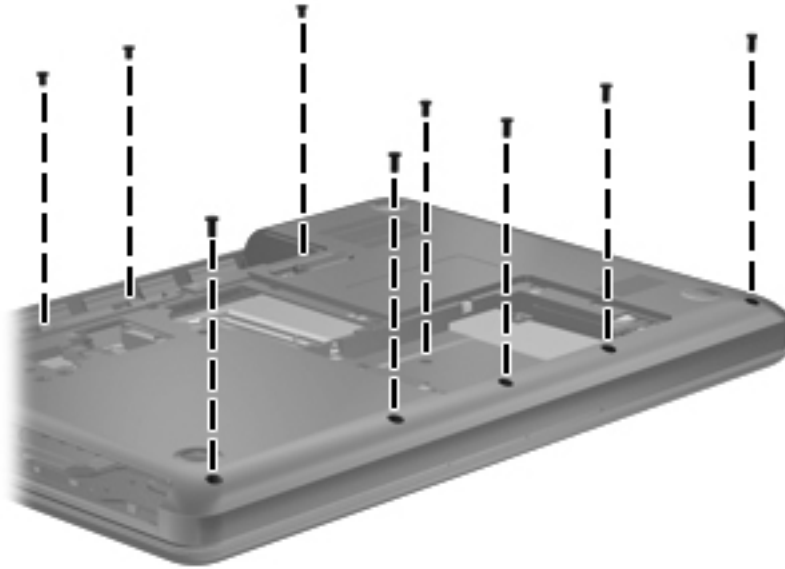
NOTE: When replacing the top cover, be sure that the following components are removed from the defective top cover and installed on the replacement top cover:

- Power button board and cable (see [Power button board on page 60](#))
- TouchPad button board and cable (see [TouchPad button board on page 61](#))

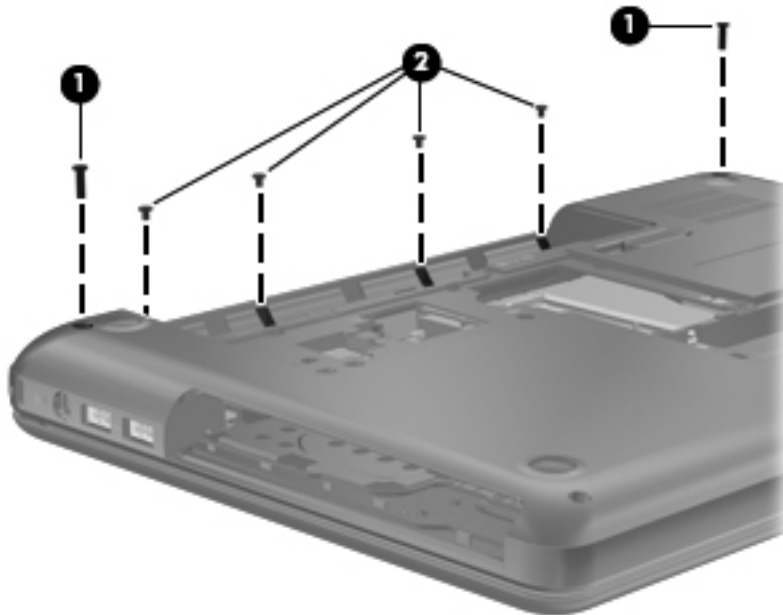
Remove the top cover:

1. Close the computer.
2. Turn the computer upside down, with the front toward you.

3. Remove the nine Phillips PM2.5×6.0 screws that secure the top cover to the computer.

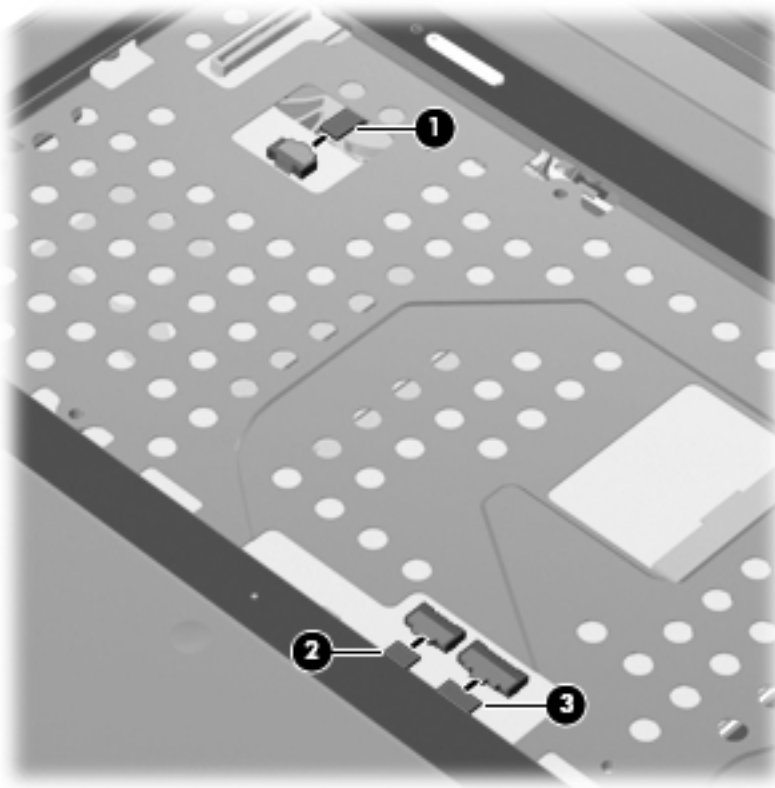


4. Remove the two Phillips PM2.5×10.0 screws **(1)** and the four Phillips PM2.0×3.0 screws **(2)** that secure the top cover to the computer.

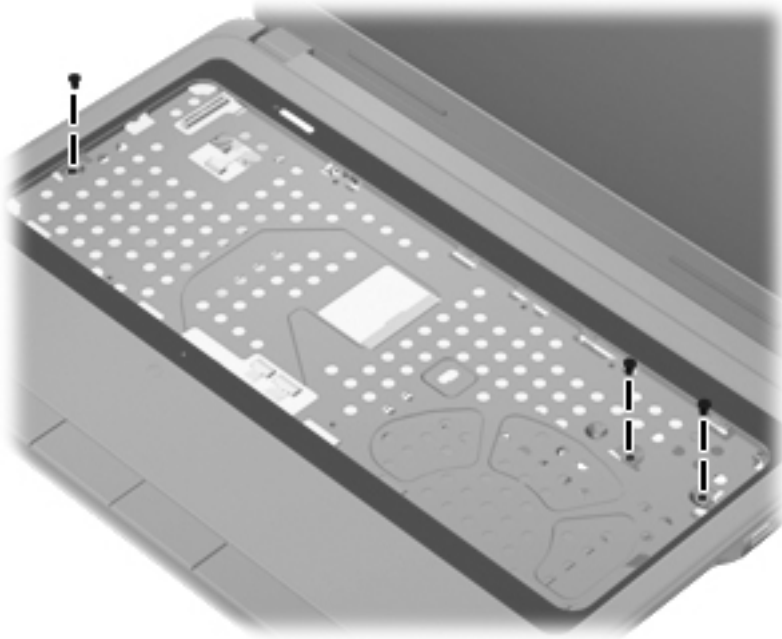


5. Turn the computer right-side up, with the front toward you.
6. Open the computer.

7. Release the ZIF connectors to which the following cables are attached, and then disconnect the cables from the system board:
- Power button board cable **(1)** (included with the power button board spare part kit, spare part number 646129-001)
 - TouchPad button board cable **(2)** (included with the TouchPad button board spare part kit, spare part number 646130-001)
 - TouchPad cable **(3)** (included in the Cable Kit, spare part number 646119-001)



8. Remove the three Phillips PM2.5×6.0 screws that secure the top cover to the computer.



9. Lift the rear edge of the top cover **(1)** until the left and right sides disengage from the base enclosure.
10. Remove the top cover **(2)**.



Reverse this procedure to install the top cover.

Power button board

Description	Spare part number
Power button board (includes cable)	646129-001

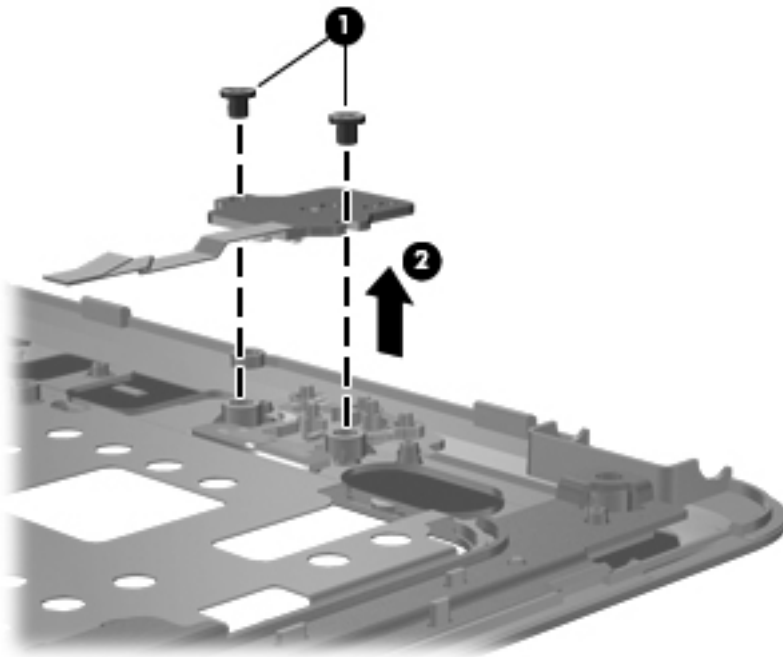
Before removing the power button board, follow these steps:

1. Shut down the computer. If you are unsure whether the computer is off or in Hibernation, turn the computer on, and then shut it down through the operating system.
2. Disconnect all external devices connected to the computer.
3. Disconnect the power from the computer by first unplugging the power cord from the AC outlet and then unplugging the AC adapter from the computer.
4. Remove the battery (see [Battery on page 43](#)), and then remove the following components:
 - Memory module/wireless module compartment cover (see [WLAN module on page 44](#))
 - Hard drive (see [Hard drive on page 48](#))
 - Keyboard (see [Keyboard on page 53](#))
 - Top cover (see [Top cover on page 56](#))

Remove the power button board:

1. Turn the top cover upside down, with the top toward you.
2. Remove the two Phillips PM2.0×3.0 screws **(1)** that secure the power button board to the top cover.

3. Remove the power button board and cable (2).



Reverse this procedure to install the power button board and cable.

TouchPad button board

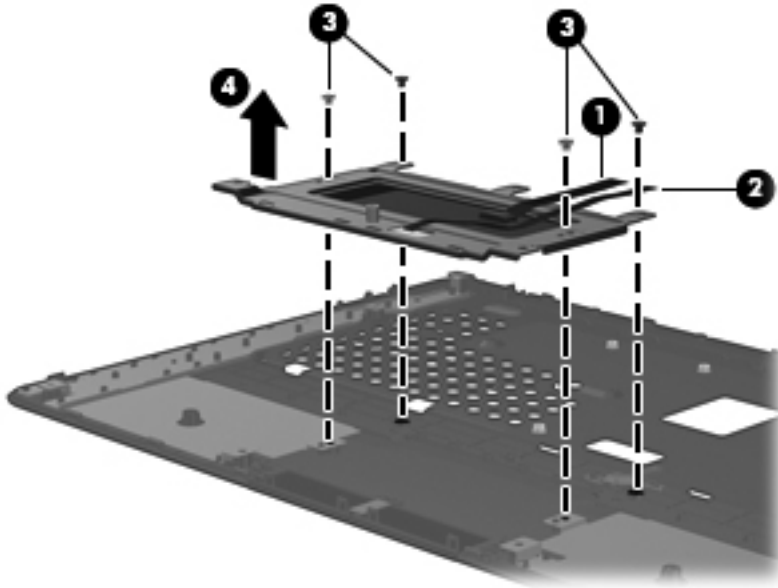
Description	Spare part number
TouchPad button board (includes cable)	646130-001

Before removing the TouchPad button board, follow these steps:

1. Shut down the computer. If you are unsure whether the computer is off or in Hibernation, turn the computer on, and then shut it down through the operating system.
2. Disconnect all external devices connected to the computer.
3. Disconnect the power from the computer by first unplugging the power cord from the AC outlet and then unplugging the AC adapter from the computer.
4. Remove the battery (see [Battery on page 43](#)), and then remove the following components:
 - Memory module/wireless module compartment cover (see [WLAN module on page 44](#))
 - Hard drive (see [Hard drive on page 48](#))
 - Keyboard (see [Keyboard on page 53](#))
 - Top cover (see [Top cover on page 56](#))

Remove the TouchPad button board and cable:

1. Turn the top cover upside down, with the top toward you.
2. Release the TouchPad board cable **(1)** and the TouchPad button board cable **(2)** from the top cover. (The TouchPad board cable and the TouchPad button board cable are attached to the top cover with double-sided tape.)
3. Remove the four Phillips PM2.0×4.0 screws **(3)** that secure the TouchPad button board to the top cover.
4. Remove the TouchPad button board **(4)**.



Reverse this procedure to install the TouchPad button board and cable.

Speakers

Description	Spare part number
Speaker Kit (includes left and right speakers and cable)	645978-001

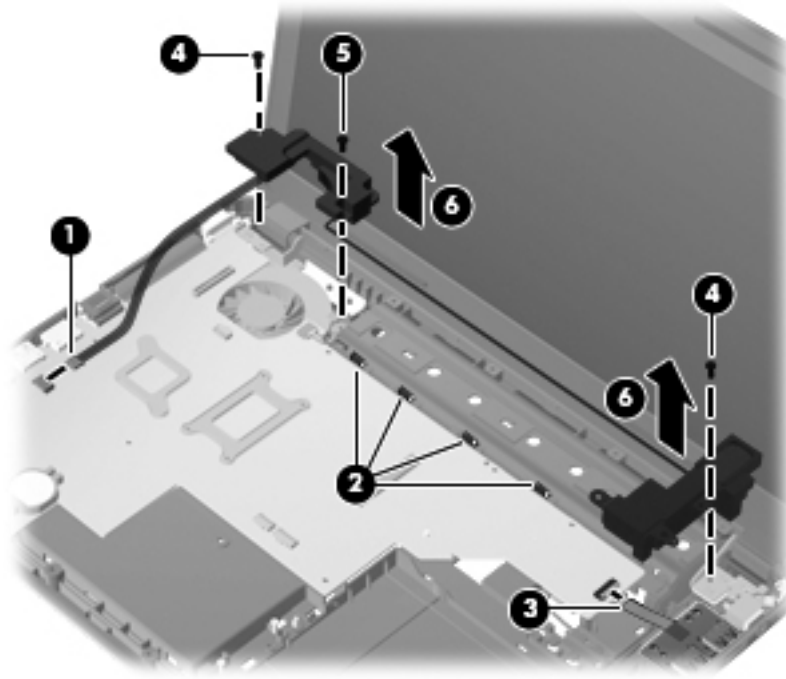
Before removing the speakers, follow these steps:

1. Shut down the computer. If you are unsure whether the computer is off or in Hibernation, turn the computer on, and then shut it down through the operating system.
2. Disconnect all external devices connected to the computer.
3. Disconnect the power from the computer by first unplugging the power cord from the AC outlet and then unplugging the AC adapter from the computer.
4. Remove the battery (see [Battery on page 43](#)), and then remove the following components:
 - Memory module/wireless module compartment cover (see [WLAN module on page 44](#))
 - Hard drive (see [Hard drive on page 48](#))
 - Keyboard (see [Keyboard on page 53](#))
 - Top cover (see [Top cover on page 56](#))

Remove the speakers:

1. Disconnect the speaker cable **(1)** from the system board.
2. Release the speaker cables **(2)** from the clips built into the base enclosure.
3. Release the ZIF connector to which the USB board cable is attached, and then disconnect the USB cable **(3)** from the system board.
4. Remove the two Phillips PM2.5×6.0 screws **(4)** and the Phillips PM2.0×9.0 screw **(5)** that secure the speakers to the computer.

5. Remove the speakers (6).



Reverse this procedure to install the speakers.

USB board

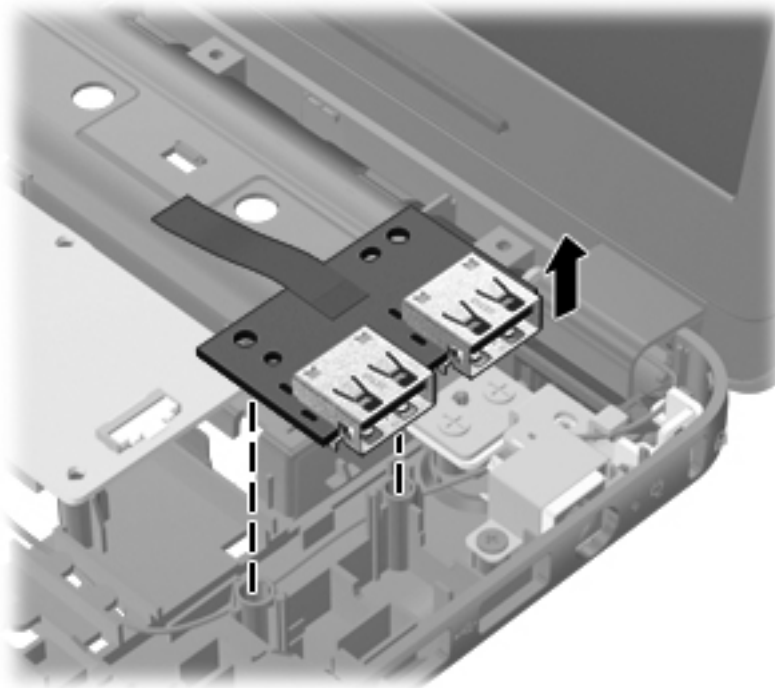
Description	Spare part number
USB board (includes cable)	646128-001

Before removing the USB board, follow these steps:

1. Shut down the computer. If you are unsure whether the computer is off or in Hibernation, turn the computer on, and then shut it down through the operating system.
2. Disconnect all external devices connected to the computer.
3. Disconnect the power from the computer by first unplugging the power cord from the AC outlet and then unplugging the AC adapter from the computer.
4. Remove the battery (see [Battery on page 43](#)), and then remove the following components:
 - Memory module/wireless module compartment cover (see [WLAN module on page 44](#))
 - Hard drive (see [Hard drive on page 48](#))
 - Keyboard (see [Keyboard on page 53](#))
 - Top cover (see [Top cover on page 56](#))
 - Speakers (see [Speakers on page 63](#))

Remove the USB board:

- ▲ Remove the USB board and cable.



Reverse this procedure to install the USB board.

Power connector cable

Description	Spare part number
Power connector cable	641394-001

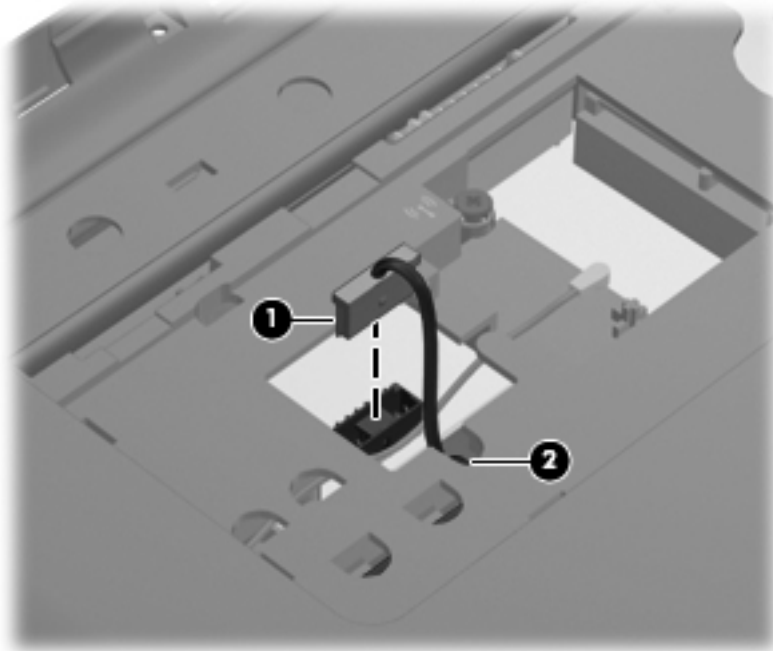
Before removing the power connector cable, follow these steps:

1. Shut down the computer. If you are unsure whether the computer is off or in Hibernation, turn the computer on, and then shut it down through the operating system.
2. Disconnect all external devices connected to the computer.
3. Disconnect the power from the computer by first unplugging the power cord from the AC outlet and then unplugging the AC adapter from the computer.
4. Remove the battery (see [Battery on page 43](#)), and then remove the following components:
 - Memory module/wireless module compartment cover (see [WLAN module on page 44](#))
 - Hard drive (see [Hard drive on page 48](#))
 - Keyboard (see [Keyboard on page 53](#))
 - Top cover (see [Top cover on page 56](#))
 - Speakers (see [Speakers on page 63](#))
 - USB board (see [USB board on page 65](#))

Remove the power connector cable:

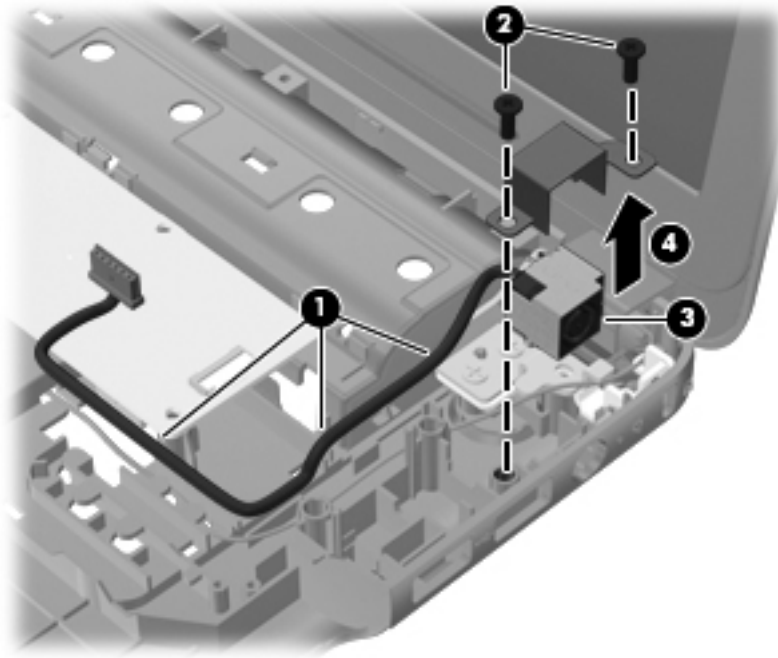
1. Close the computer.
2. Turn the computer upside down, with the front toward you.
3. Disconnect the power connector cable **(1)** from the system board.

4. Release the power connector cable from the clip **(2)** built into the base enclosure.



5. Turn the computer right-side up, with the front toward you.
6. Open the computer.
7. Release the power connector cable **(1)** from the clips and routing channel built into the base enclosure.
8. Remove the two Phillips PM2.5×5.0 screws **(2)** that secure the power connector and bracket to the computer.
9. Remove the power connector bracket **(3)**.

10. Remove the power connector (4).



Reverse this procedure to install the power connector cable.

Display assembly

Description	Spare part number
14.0-in, HD, LED, display assembly (includes microphone and wireless antenna transceivers and cables)	
For use with all computer models:	
AntiGlare in pewter finish	646666-001
BrightView in pewter finish	646664-001
For use only with Compaq 435 and Compaq 436 computer models:	
AntiGlare in charcoal gray finish	647607-001
BrightView in charcoal gray finish	645984-001

Before removing the display assembly, follow these steps:

1. Shut down the computer. If you are unsure whether the computer is off or in Hibernation, turn the computer on, and then shut it down through the operating system.
2. Disconnect all external devices connected to the computer.
3. Disconnect the power from the computer by first unplugging the power cord from the AC outlet and then unplugging the AC adapter from the computer.
4. Remove the battery (see [Battery on page 43](#)).

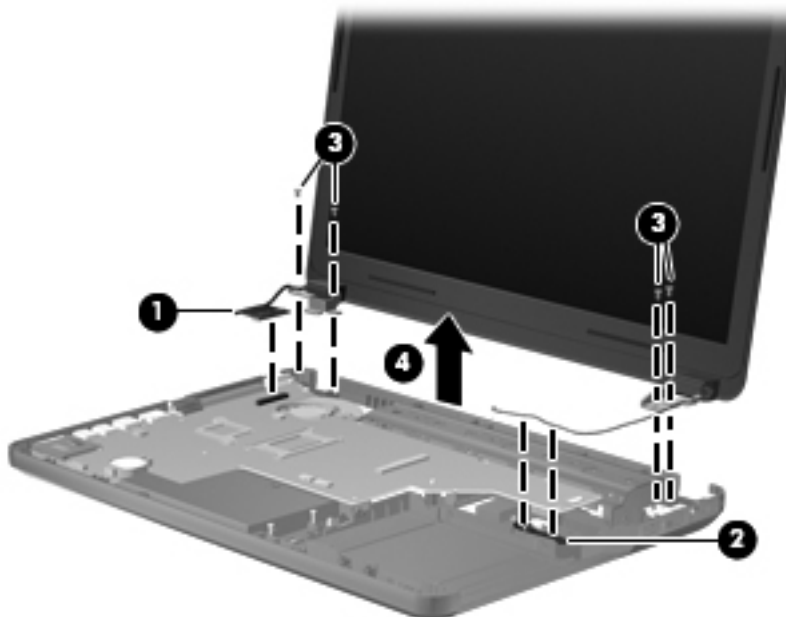
5. Disconnect the WLAN module antenna cables from the WLAN module (see [WLAN module on page 44](#)).
6. Remove the following components:
 - Hard drive (see [Hard drive on page 48](#))
 - Keyboard (see [Keyboard on page 53](#))
 - Top cover (see [Top cover on page 56](#))
 - Speakers (see [Speakers on page 63](#))
 - USB board (see [USB board on page 65](#))
 - Power connector cable (see [Power connector cable on page 66](#))

Remove the display assembly:

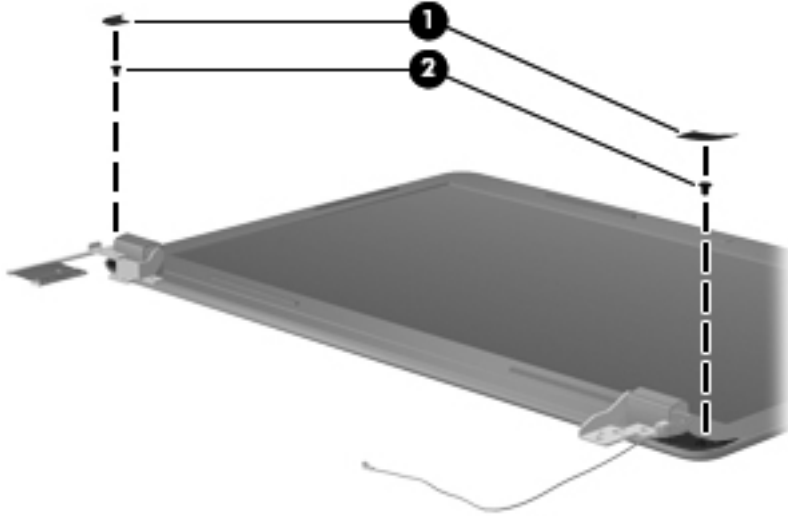
1. Disconnect the display panel cable **(1)** from the system board.
2. Release the wireless antenna cables from the clips **(2)** built into the base enclosure.

⚠ CAUTION: Support the display assembly when removing the following screws. Failure to support the display assembly can result in damage to the display assembly and other computer components.

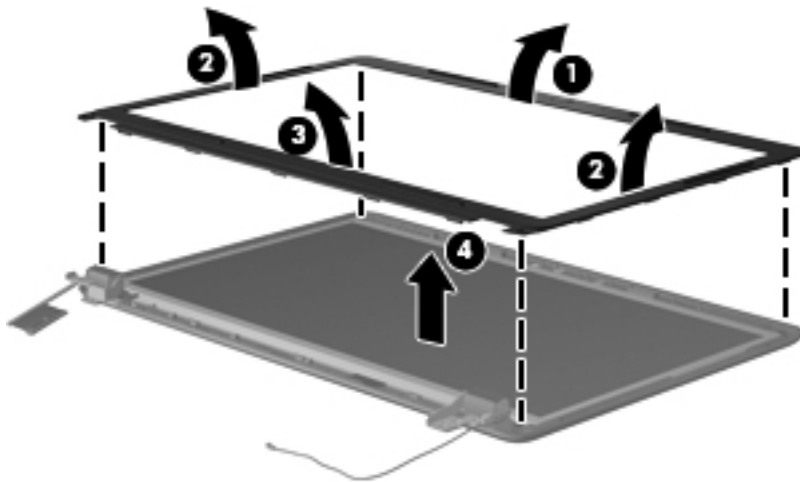
3. Remove the four Phillips PM2.5×6.0 screws **(3)** that secure the display assembly to the computer.
4. Remove the display assembly **(4)**.



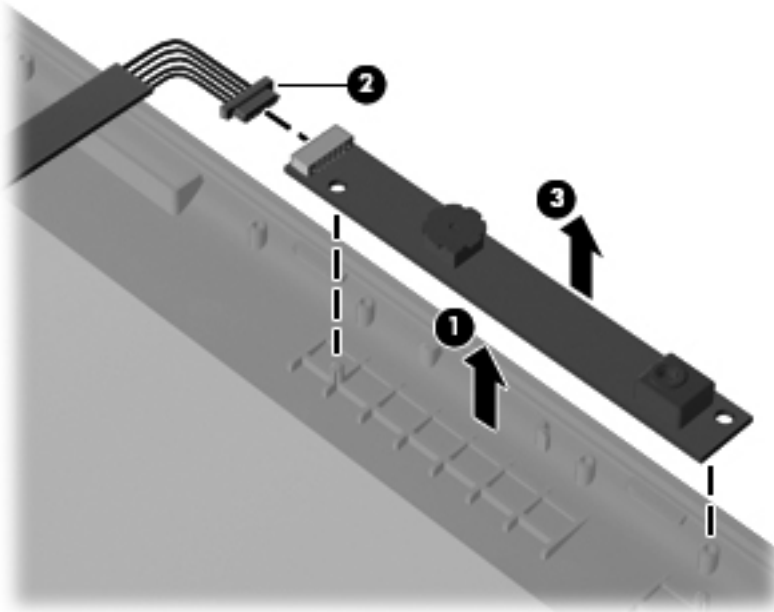
5. If it is necessary to replace the display bezel or any of the display assembly subcomponents:
- a. Remove the two Mylar screw covers **(1)** and the two Phillips PM2.5×4.0 screws **(2)** that secure the display bezel to the display assembly. The Mylar screw covers are available in the Display Screw Kit, spare part number 645976-001.



- b. Flex the inside edges of the top edge **(1)**, the left and right sides **(2)**, and the bottom edge **(3)** of the display bezel until the bezel disengages from the display enclosure.
- c. Remove the display bezel **(4)**. The display bezel is available using the following spare part numbers:
 - 646661-001 — In pewter finish for use with all computer models
 - 645964-001 — In charcoal gray finish for use only with Compaq 435 and Compaq 436 computer models

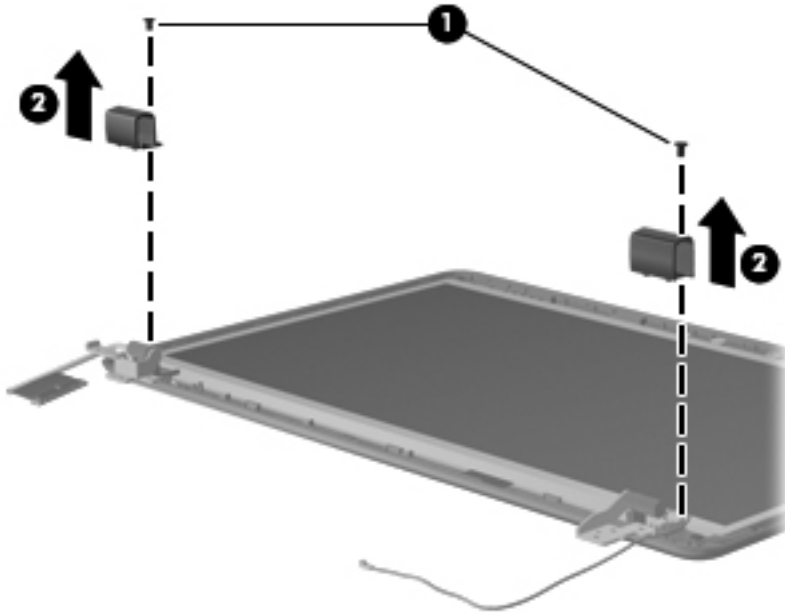


6. If it is necessary to replace the webcam/microphone module:
 - a. Detach and release the module **(1)** as far as the module cable allows. (The module is attached to the display enclosure with double-sided tape.)
 - b. Disconnect the module cable **(2)** from the module.
 - c. Remove the webcam/microphone module **(3)**. The webcam/microphone module is available using spare part number 646138-001.



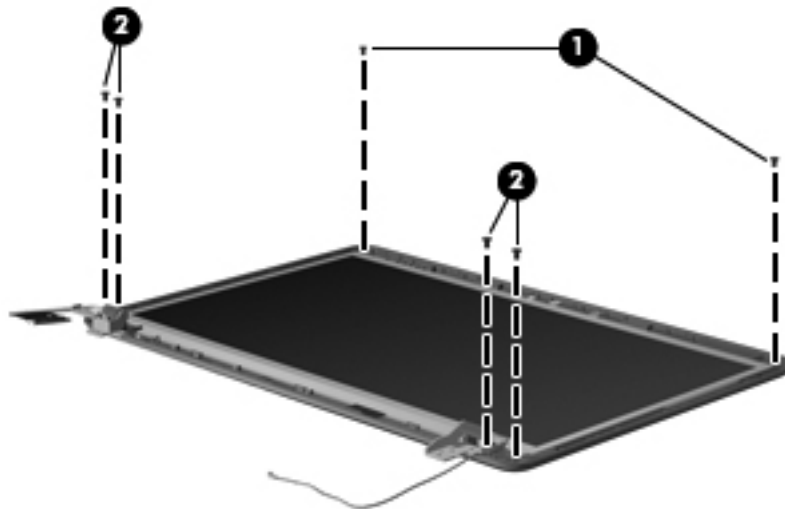
7. If it is necessary to replace the hinge covers:
 - a. Remove the two Phillips PM2.5×5.0 **(1)** screws that secure the hinge covers to the display enclosure.

- b.** Remove the hinge covers (2). The hinge covers are available using spare part number 645971-001.

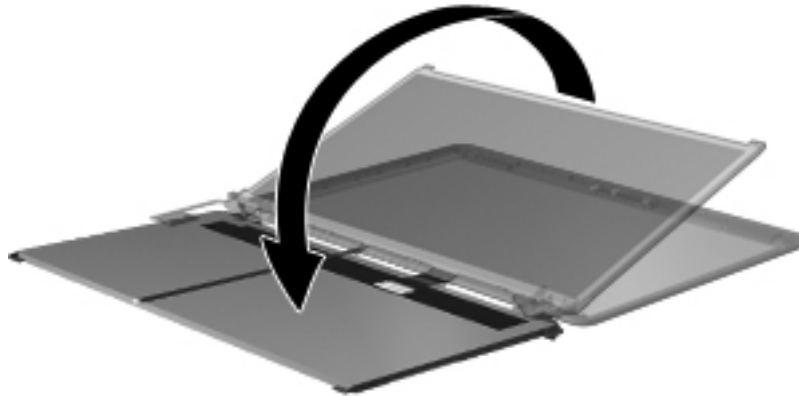


- 8.** If it is necessary to replace the display panel:

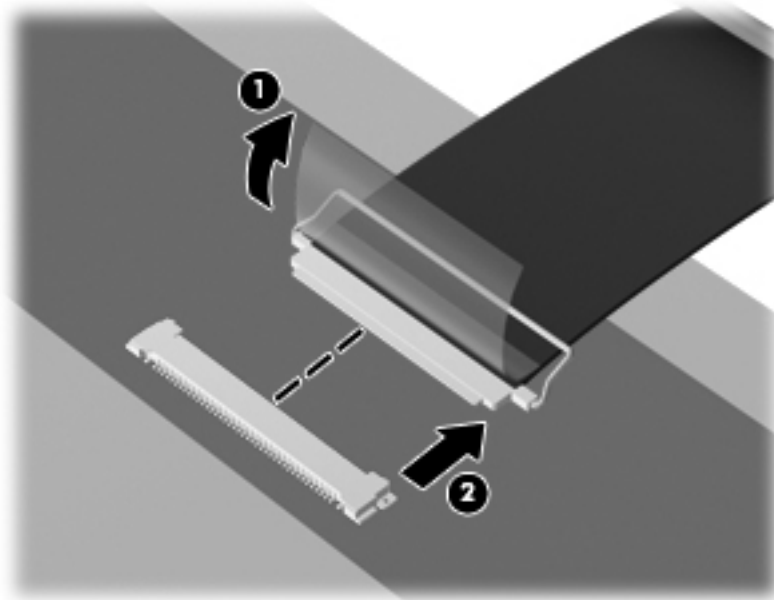
- a.** Remove the two Phillips PM2.5×4.0 screws (1) and four Phillips PM2.5×5.0 screws (2) that secure the display panel to the display enclosure.



- b.** Lift the top edge of the display panel, and then swing it up and forward until it rests upside down in front of the display enclosure.

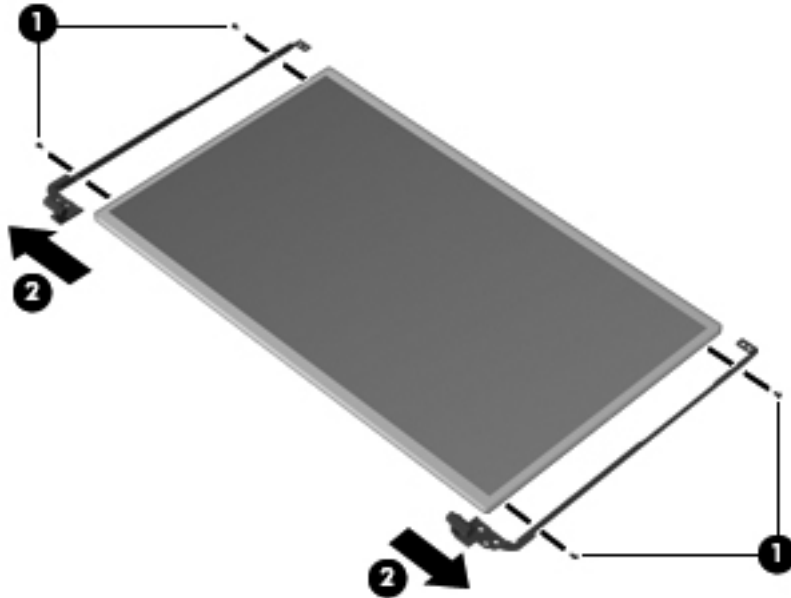


- c.** Release the adhesive strip **(1)** that secures the display panel cable to the display panel, and then disconnect the display panel cable **(2)** from the display panel.



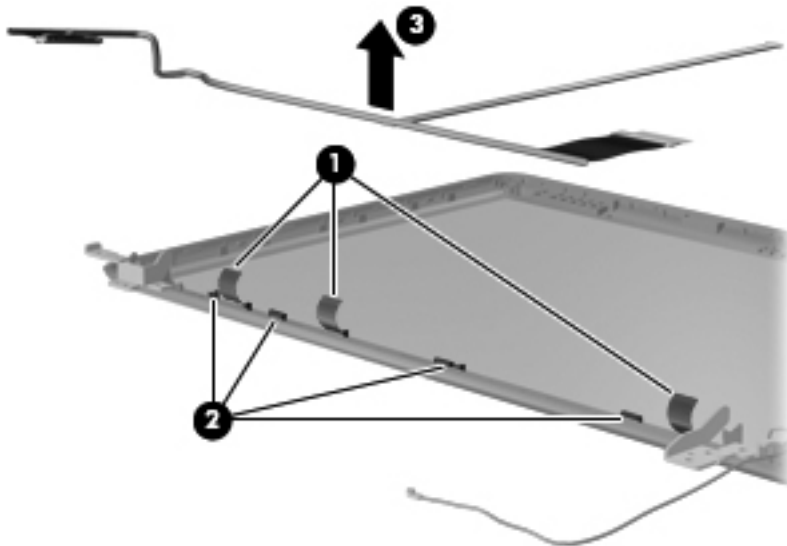
- d.** Remove the display panel. The display panel is available using the following spare part numbers:
- 646674-001 — 14.0-in, HD, LED, AntiGlare display panel
 - 645987-001 — 14.0-in, HD, LED, BrightView display panel
- 9.** If it is necessary to replace the display hinges:
- a.** Remove the four Phillips PM2.0×3.0 screws **(1)** that secure the display hinges to the display panel.

- b.** Remove the display hinges (**2**). The display hinges include the display hinges and brackets and are available using spare part number 645970-001.



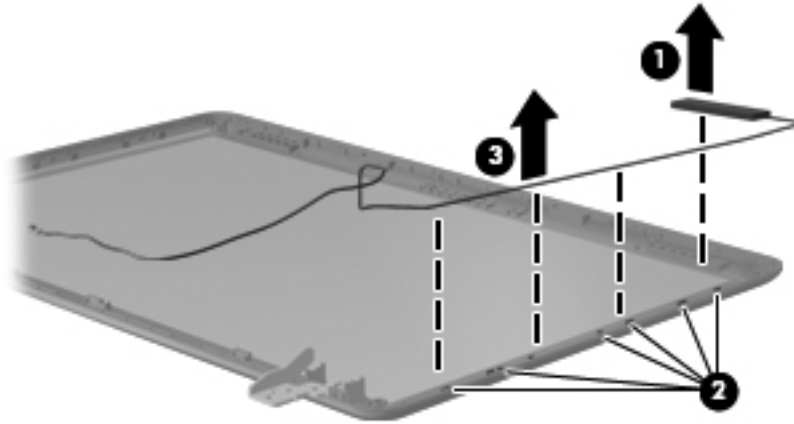
10. If it is necessary to replace the display panel cable:

- a.** Release the tabs (**1**) built into the display enclosure shielding that secure the display panel cable to the display enclosure.
- b.** Release the display panel cable from the clips (**2**) built into the display enclosure.
- c.** Remove the display panel cable (**3**). The display panel cable includes the webcam/microphone module cable and is available in the Display Cable Kit, spare part number 645967-001.



11. If it is necessary to replace the wireless antenna cable and transceiver:

- a.** Release the wireless antenna transceiver **(1)** from the display enclosure. (The wireless antenna transceiver is attached to the display enclosure with double-sided tape.)
- b.** Release the wireless antenna cable from the clips **(2)** built into the display enclosure.
- c.** Remove the wireless antenna cable and transceiver **(3)**. The wireless antenna cable and transceiver are available in the Antenna Kit, spare part number 645966-001.



Reverse this procedure to reassemble and install the display assembly.

System board




NOTE: The system board spare part kit includes replacement thermal material.

Description	Spare part number
For use only with computer models equipped with an AMD Athlon II, Phenom II, Turion II, or V-Series processor and a graphics subsystem with discrete memory	646981-001
For use only with computer models equipped with an AMD Athlon II, Phenom II, Turion II, or V-Series processor and a graphics subsystem with UMA memory	646982-001
For use only with computer models equipped with an AMD E350 1.60-GHz processor	646980-001
For use only with computer models equipped with an AMD E240 1.50-GHz processor	646979-001
For use only with computer models equipped with an Intel Dual Core i5 or i3 processor, a graphics subsystem with discrete video memory, and 1024-MB of graphics subsystem memory	646672-001
For use only with computer models equipped with an Intel Dual Core i5 or i3 processor, a graphics subsystem with discrete video memory, and 512-MB of graphics subsystem memory	646673-001
For use only with computer models equipped with an Intel Dual Core i5 or i3 processor, and a graphics subsystem with UMA video memory	646671-001
For use only with computer models equipped with an Intel Pentium processor, a graphics subsystem with discrete video memory, and 512-MB of graphics subsystem memory	646670-001
For use only with computer models equipped with an Intel Pentium processor and a graphics subsystem with UMA video memory	646669-001
For use only with computer models equipped with an Intel Celeron or Core 2 Duo processor and a graphics subsystem with UMA video memory	646668-001

Before removing the system board, follow these steps:

1. Shut down the computer. If you are unsure whether the computer is off or in Hibernation, turn the computer on, and then shut it down through the operating system.
2. Disconnect all external devices connected to the computer.
3. Disconnect the power from the computer by first unplugging the power cord from the AC outlet and then unplugging the AC adapter from the computer.
4. Remove the battery (see [Battery on page 43](#)).
5. Remove the WLAN module (see [WLAN module on page 44](#)).
6. Disconnect the hard drive connector cable from the system board (see [Hard drive on page 48](#)).
7. Remove the following components:
 - Keyboard (see [Keyboard on page 53](#))
 - Top cover (see [Top cover on page 56](#))
 - Speakers (see [Speakers on page 63](#))

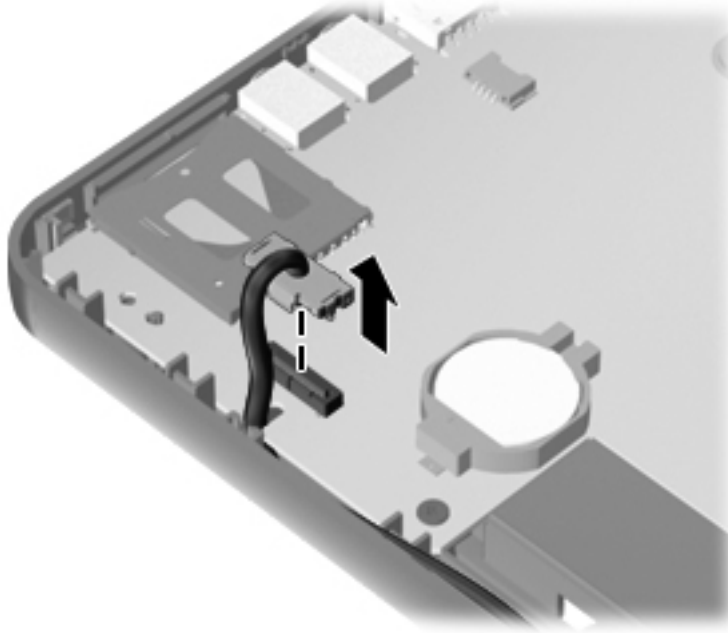
- USB board (see [USB board on page 65](#))
- Power connector cable (see [Power connector cable on page 66](#))
- Display assembly (see [Display assembly on page 68](#))

 **NOTE:** When replacing the system board, be sure that the following components are removed from the defective system board and installed on the replacement system board:

- Memory module (see [Memory module on page 47](#))
- RTC battery (see [RTC battery on page 81](#))
- Fan/heat sink assembly (see [Fan/heat sink assembly on page 83](#))
- Processor (see [Processor on page 89](#))

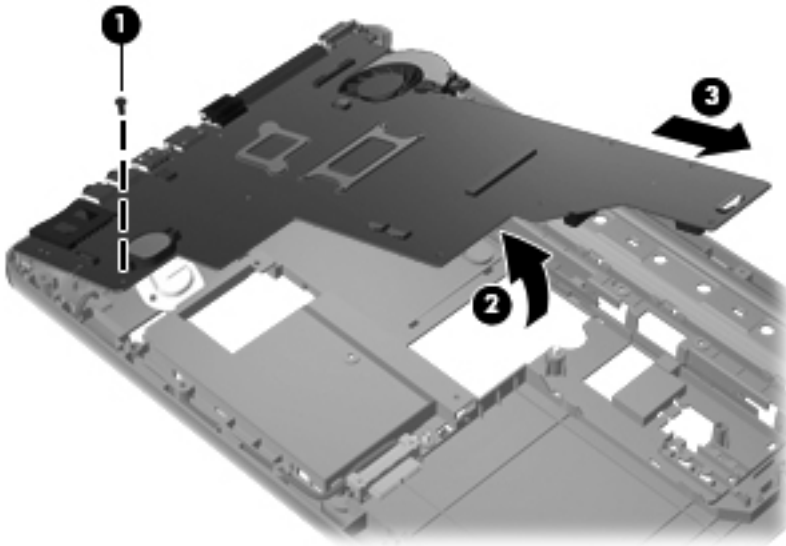
Remove the system board:


1. Disconnect the optical drive connector cable from the system board.

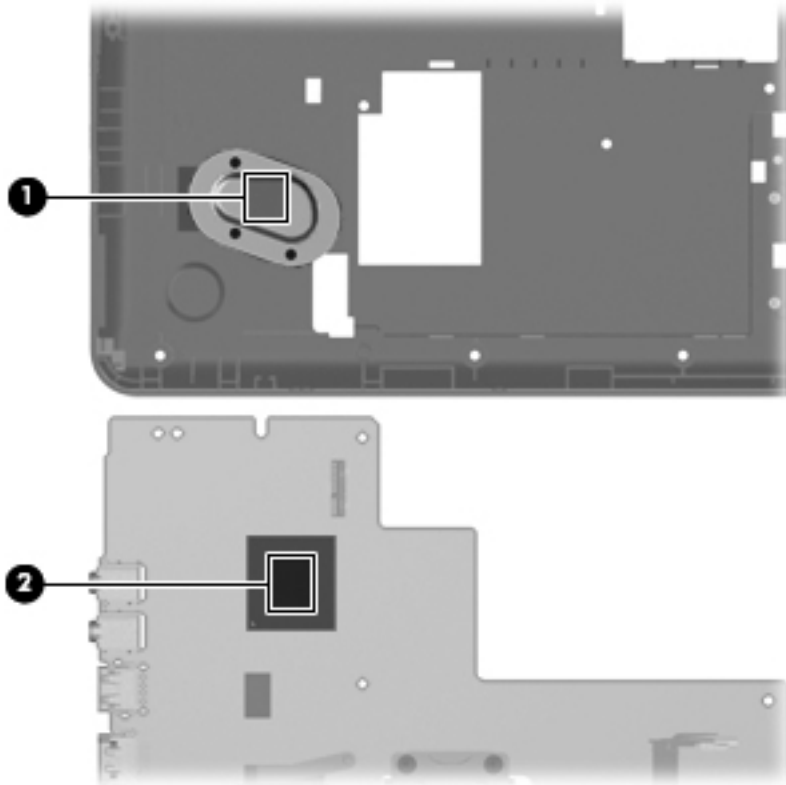


2. Remove the Phillips PM2.5×6.0 screw **(1)** that secures the system board to the base enclosure.
3. Lift the right side of the system board **(2)** until it rests at an angle.

4. Remove the system board (3) by sliding it up and to the right at an angle.




 **NOTE:** A heat sink is attached to the base enclosure to service a component on the bottom of the system board. The thermal material must be thoroughly cleaned from the surfaces of the system board (1) and the heat sink (2) attached to the base enclosure each time the system board is removed. Replacement thermal material is included with all base enclosure and system board spare part kits.



Reverse this procedure to install the system board.

Optical drive connector cable

 **NOTE:** The optical drive connector cable is included in the Cable Kit, spare part number 645968-001.

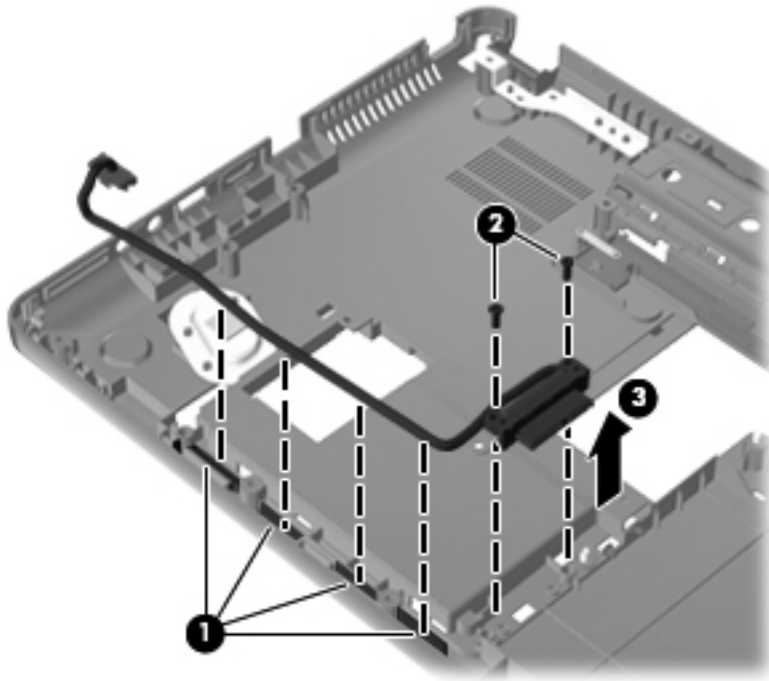
Before removing the optical drive connector cable, follow these steps:

1. Shut down the computer. If you are unsure whether the computer is off or in Hibernation, turn the computer on, and then shut it down through the operating system.
2. Disconnect all external devices connected to the computer.
3. Disconnect the power from the computer by first unplugging the power cord from the AC outlet and then unplugging the AC adapter from the computer.
4. Remove the battery (see [Battery on page 43](#)), and then remove the following components:
 - WLAN module (see [WLAN module on page 44](#))
 - Keyboard (see [Keyboard on page 53](#))
 - Top cover (see [Top cover on page 56](#))
 - Speakers (see [Speakers on page 63](#))
 - USB board (see [USB board on page 65](#))
 - Power connector cable (see [Power connector cable on page 66](#))
 - Display assembly (see [Display assembly on page 68](#))
 - System board (see [System board on page 76](#))

Remove the optical drive connector cable:

1. Release the optical drive cable from the clips **(1)** built into the base enclosure.
2. Remove the two Phillips PM2.0×5.0 screws **(2)** that secure the optical drive connector to the base enclosure.

3. Remove the optical drive connector **(3)** from the base enclosure.



Reverse this procedure to install the optical drive connector cable.

RTC battery

Description	Spare part number
RTC battery (includes cable and double-sided tape)	646132-001

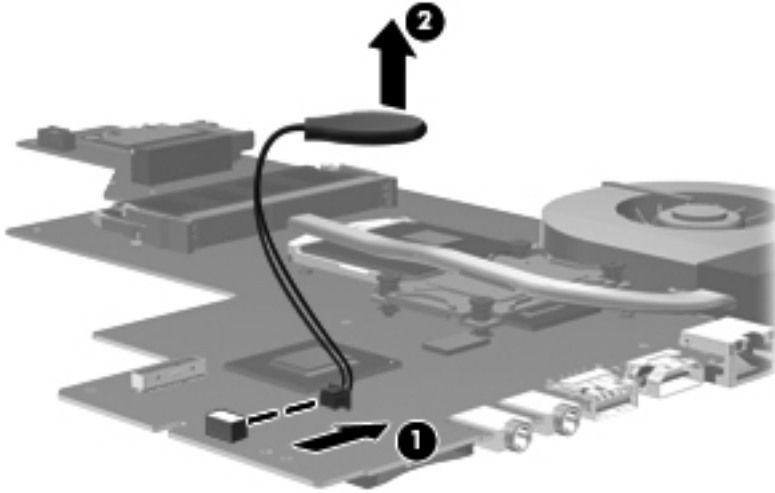
Before removing the RTC battery, follow these steps:

1. Shut down the computer. If you are unsure whether the computer is off or in Hibernation, turn the computer on, and then shut it down through the operating system.
2. Disconnect all external devices connected to the computer.
3. Disconnect the power from the computer by first unplugging the power cord from the AC outlet and then unplugging the AC adapter from the computer.
4. Remove the battery (see [Battery on page 43](#)), and then remove the following components:
 - WLAN module (see [WLAN module on page 44](#))
 - Keyboard (see [Keyboard on page 53](#))
 - Top cover (see [Top cover on page 56](#))
 - Speakers (see [Speakers on page 63](#))
 - USB board (see [USB board on page 65](#))
 - Power connector cable (see [Power connector cable on page 66](#))
 - Display assembly (see [Display assembly on page 68](#))
 - System board (see [System board on page 76](#))

Remove the RTC battery:

1. Turn the system board upside down, with the front toward you.
2. Disconnect the RTC battery cable **(1)** from the system board.


3. Detach the RTC battery **(2)** from the system board. (The RTC battery is attached to the system board with double-sided tape.)




4. Remove the RTC battery.

Reverse this procedure to install the RTC battery.

Fan/heat sink assembly

 **NOTE:** The fan/heat sink assembly spare part kit includes replacement thermal material.

Description	Spare part number
For use only with computer models equipped with an AMD Athlon II, Phenom II, Turion II, or V-Series processor and a graphics subsystem with discrete memory	647319-001
For use only with computer models equipped with an AMD Athlon II, Phenom II, Turion II, or V-Series processor and a graphics subsystem with UMA memory	647318-001
For use only with computer models equipped with an AMD E350 or E240 processor and a graphics subsystem with discrete memory	647317-001
For use only with computer models equipped with an AMD E350 or E240 processor and a graphics subsystem with UMA memory	647316-001
For use only with computer models equipped with an Intel Dual Core i5 or i3 processor and a graphics subsystem with discrete video memory	646182-001
For use only with computer models equipped with an Intel Dual Core i5 or i3 processor and a graphics subsystem with UMA video memory	646183-001
For use only with computer models equipped with an Intel Pentium processor and a graphics subsystem with discrete video memory	646180-001
For use only with computer models equipped with an Intel Pentium processor and a graphics subsystem with UMA video memory	646181-001
For use only with computer models equipped with an Intel Celeron or Core 2 processor and a graphics subsystem with UMA video memory	646184-001

 **NOTE:** To properly ventilate the computer, allow at least 7.6 cm (3 in) of clearance on the left side of the computer. The computer uses an electric fan for ventilation. The fan is controlled by a temperature sensor and is designed to turn on automatically when high temperature conditions exist. These conditions are affected by high external temperatures, system power consumption, power management/battery conservation configurations, battery fast charging, and software requirements. Exhaust air is displaced through the ventilation grill located on the left side of the computer.

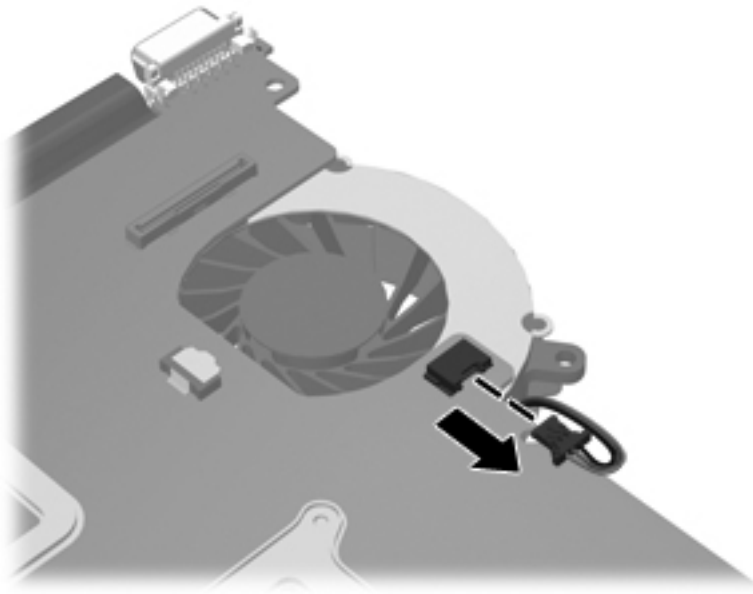
Before removing the fan/heat sink assembly, follow these steps:

1. Shut down the computer. If you are unsure whether the computer is off or in Hibernation, turn the computer on, and then shut it down through the operating system.
2. Disconnect all external devices connected to the computer.
3. Disconnect the power from the computer by first unplugging the power cord from the AC outlet and then unplugging the AC adapter from the computer.
4. Remove the battery (see [Battery on page 43](#)), and then remove the following components:
 - Optical drive (see [Optical drive \(select models only\) on page 51](#))
 - WLAN module (see [WLAN module on page 44](#))
 - Keyboard (see [Keyboard on page 53](#))


- Top cover (see [Top cover on page 56](#))
- USB board (see [USB board on page 65](#))
- Power connector cable (see [Power connector cable on page 66](#))
- Display assembly (see [Display assembly on page 68](#))
- System board (see [System board on page 76](#))


Remove the fan/heat sink assembly:

1. Disconnect the fan cable from the system board.




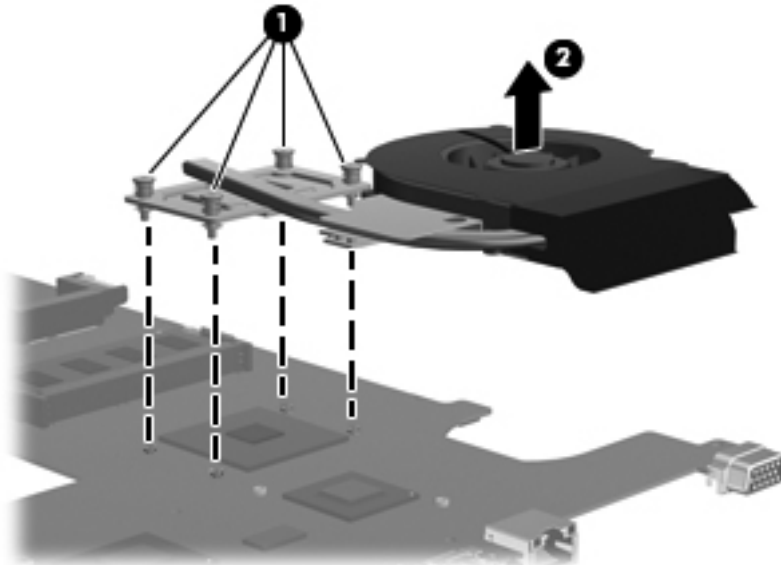
2. Turn the system board upside down, with the front toward you.
3. Loosen the captive screws **(1)** that secure the fan/heat sink assembly to the system board.


 **NOTE:** The number of screws used to secure the fan/heat sink assembly to the system board varies by computer model.

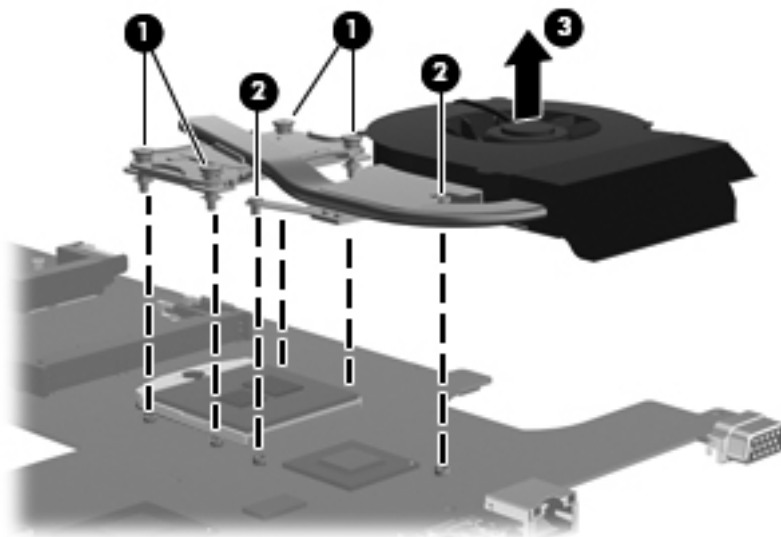
 **NOTE:** Due to the adhesive quality of the thermal material located between the heat sink and system board components, it may be necessary to move the heat sink from side to side to detach it.


4. Remove the fan and heat sink **(2)**.

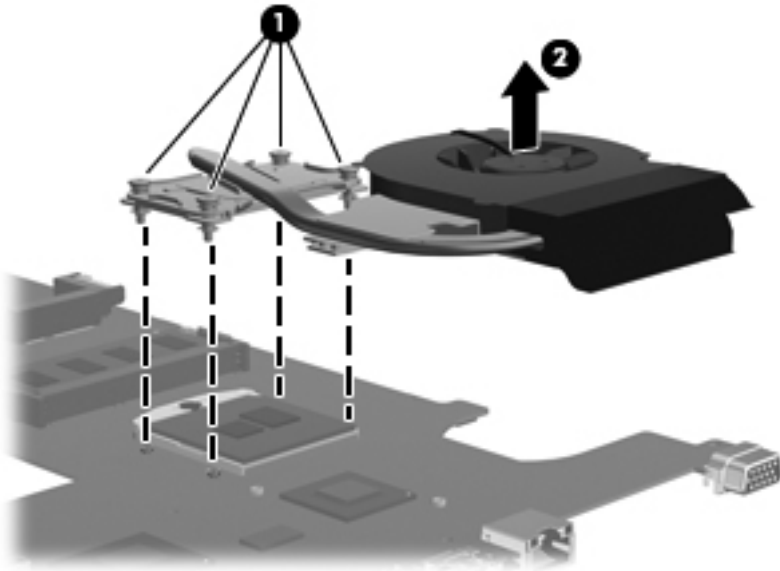
 **NOTE:** The following illustration shows the fan/heat sink assembly removal process on a computer model equipped with an AMD processor.




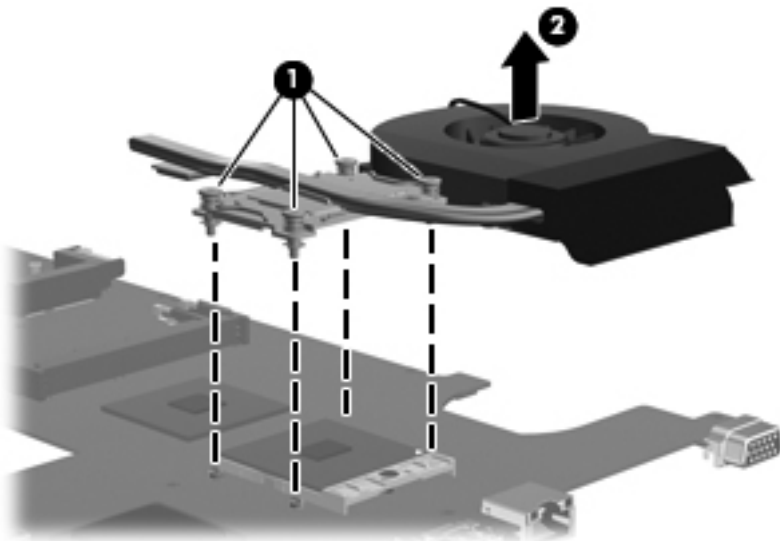
 **NOTE:** The following illustration shows the fan/heat sink assembly removal process on a computer model equipped with an Intel Pentium processor and a graphics subsystem with discrete memory.




 **NOTE:** The following illustration shows the fan/heat sink assembly removal process on a computer model equipped with an Intel Pentium processor and a graphics subsystem with UMA memory.

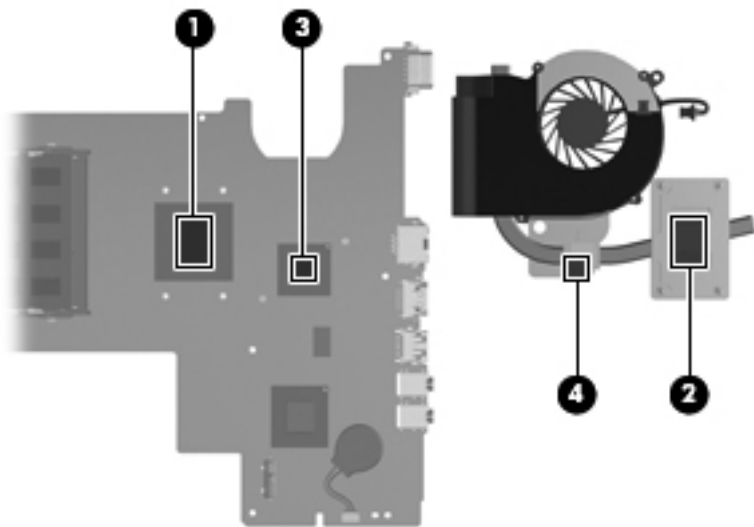


 **NOTE:** The following illustration shows the fan/heat sink assembly removal process on a computer model equipped with an Intel Celeron processor.




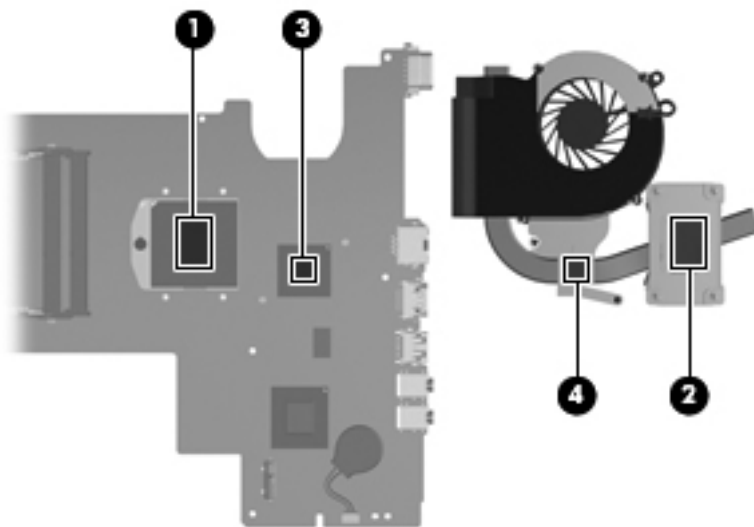
The thermal material must be thoroughly cleaned from the surfaces of the heat sink and the system board components each time the heat sink is removed. Replacement thermal material is included with the base enclosure, fan/heat sink assembly, processor, and system board spare part kits.

 **NOTE:** The following illustration shows the replacement thermal material locations on a computer model equipped with an AMD processor.




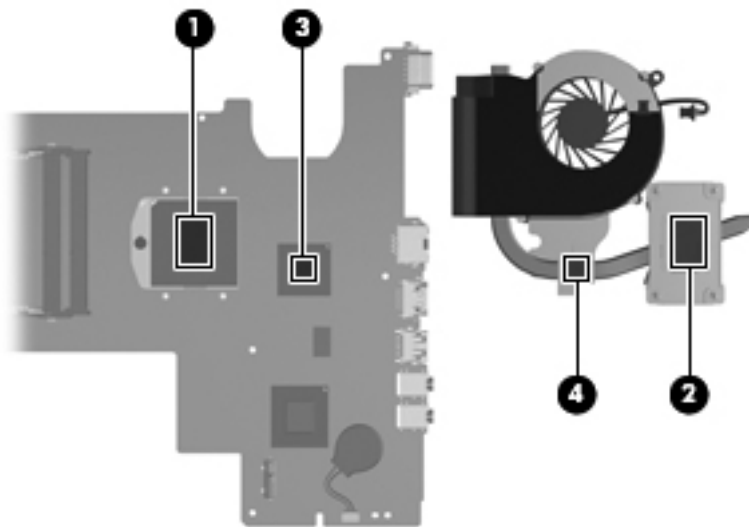
- Thermal paste is used on the processor **(1)** and the heat sink section **(2)** that services it
- A thermal pad is used on the FCH chip **(3)** and the heat sink section **(4)** that services it

 **NOTE:** The following illustration shows the replacement thermal material locations on a computer model equipped with an Intel Pentium processor and a graphics subsystem with discrete memory.




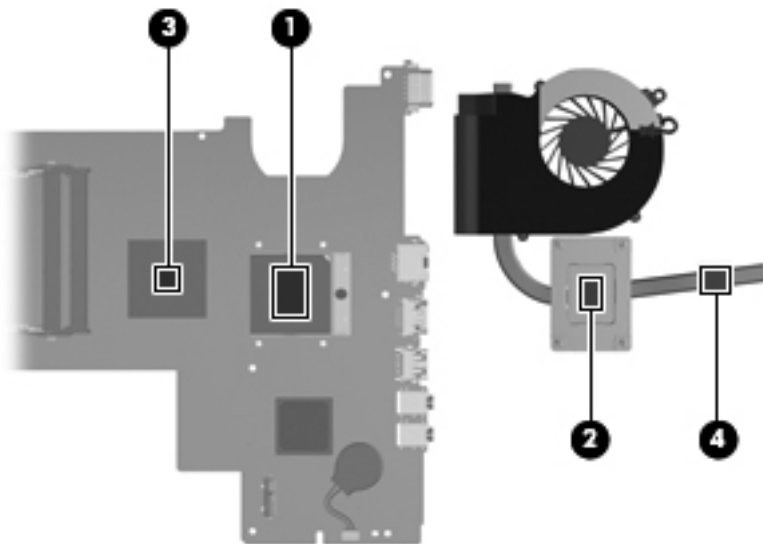
- Thermal paste is used on the processor **(1)** and the heat sink section **(2)** that services it
- A thermal pad is used on the graphics subsystem chip **(3)** and the heat sink section **(4)** that services it

 **NOTE:** The following illustration shows the replacement thermal material locations on a computer model equipped with an Intel Pentium processor and a graphics subsystem with UMA memory.



- Thermal paste is used on the processor **(1)** and the heat sink section **(2)** that services it
- A thermal pad is used on the Northbridge chip **(3)** and the heat sink section **(4)** that services it


 **NOTE:** The following illustration shows the replacement thermal material locations on a computer model equipped with an Intel Celeron processor.



- Thermal paste is used on the processor **(1)** and the heat sink section **(2)** that services it
- A thermal pad is used on the Northbridge chip **(3)** and the heat sink section **(4)** that services it

Reverse this procedure to reassemble and install the fan/heat sink assembly.

Processor

 **NOTE:** The processor spare part kit includes replacement thermal material.

Description	Spare part number
AMD Phenom II N970 Quad Core 2.20-GHz processor (2.0-MB L2 cache, 1333-MHz FSB, 35 W, 3.6 gigatransfers/second)	635496-001
AMD Phenom II P960 Quad Core 1.80-GHz processor (2.0-MB L2 cache, 1066-MHz FSB, 25 W, 3.6 gigatransfers/second)	634689-001
AMD Phenom II N660 Triple Core 3.00-GHz processor (2.0-MB L2 cache, 1333-MHz FSB, 35 W, 3.6 gigatransfers/second)	635494-001
AMD Phenom II N650 Dual Core 2.60-GHz processor (2.0-MB L2 cache, 1333-MHz FSB, 25 W, 3.6 gigatransfers/second)	634687-001
AMD Athlon II N370 Dual Core 2.50-GHz processor (1.0-MB L2 cache, 1066-MHz FSB, 35 W, 3.2 gigatransfers/second)	634686-001
AMD Athlon II N350 Dual Core 2.40-GHz processor (1.0-MB L2 cache, 1066-MHz FSB, 35 W, 3.2 gigatransfers/second)	616334-001
AMD Athlon II P360 Dual Core 2.30-GHz processor (1.0-MB L2 cache, 1066-MHz FSB, 35 W, 3.2 gigatransfers/second)	636635-001
AMD Athlon II P340 Dual Core 2.20-GHz processor (1.0-MB L2 cache, 1066-MHz FSB, 25 W, 3.2 gigatransfers/second)	616343-001
AMD Turion II P560 Dual Core 2.50-GHz processor (2.0-MB L2 cache, 1066-MHz FSB, 35 W, 3.6 gigatransfers/second)	634691-001
AMD Sempron V160 Single Core 2.40-GHz processor (512-KB L2 cache, 1066-MHz FSB, 25 W, 3.2 gigatransfers/second)	636634-001
AMD Sempron V140 Single Core 2.30-GHz processor (512-KB L2 cache, 1066-MHz FSB, 25 W, 3.2 gigatransfers/second)	616333-001
AMD E350 1.60-GHz processor (Dual Core, 18-W)	635498-001
AMD E240 1.50-GHz processor (Single Core, 18-W)	635499-001
Intel Dual Core i5-2540M 2.60-GHz processor (SC turbo up to 3.30-GHz; 3.0-MB L3 cache, 35 W)	631255-001
Intel Dual Core i5-2520M 2.50-GHz processor (SC turbo up to 3.20-GHz; 3.0-MB L3 cache, 35 W)	631253-001
Intel Dual Core i5-2410M 2.30-GHz processor (SC turbo up to 2.90-GHz; 3.0-MB L3 cache, 35 W)	638039-001
Intel Dual Core i3-2330M 2.20-GHz processor (3.0-MB L3 cache 35 W)	653339-001
Intel Dual Core i3-2310M 2.10-GHz processor (3.0-MB L3 cache 35 W)	638037-001
Intel Pentium P6300 2.26-GHz processor (3.0-MB L3 cache, dual core, 35 W)	635500-001
Intel Pentium P6200 2.13-GHz processor (3.0-MB L3 cache, dual core, 35 W)	625831-001
Intel Core 2 Duo P7570 2.26-GHz processor (3.0-MB L2 cache, 1066-MHz FSB, 25 W)	572930-001
Intel Core 2 Duo T6670 2.20-GHz processor (2.0-MB L3 cache, 800-MHz FSB)	572927-001
Intel Celeron DC T3500 2.10-GHz processor (1.0-MB L2 cache, 800-MHz FSB)	625830-001

Description	Spare part number
Intel Celeron DC T3300 2.00-GHz processor (1.0-MB L2 cache, 800-MHz FSB)	592399-001
Intel Celeron SC B950 2.10-GHz processor (1.0-MB L2 cache, 800-MHz FSB)	653338-001
Intel Celeron SC B940 2.00-GHz processor (1.0-MB L2 cache, 800-MHz FSB)	653337-001
Intel Celeron SC C925 2.30-GHz processor (1.0-MB L2 cache, 800-MHz FSB)	636636-001
Intel Celeron SC C900 2.20-GHz processor (1.0-MB L2 cache, 800-MHz FSB)	534419-001
Intel Celeron SC B810 1.60-GHz processor (1.0-MB L2 cache, 800-MHz FSB)	646760-001


Before removing the processor, follow these steps:

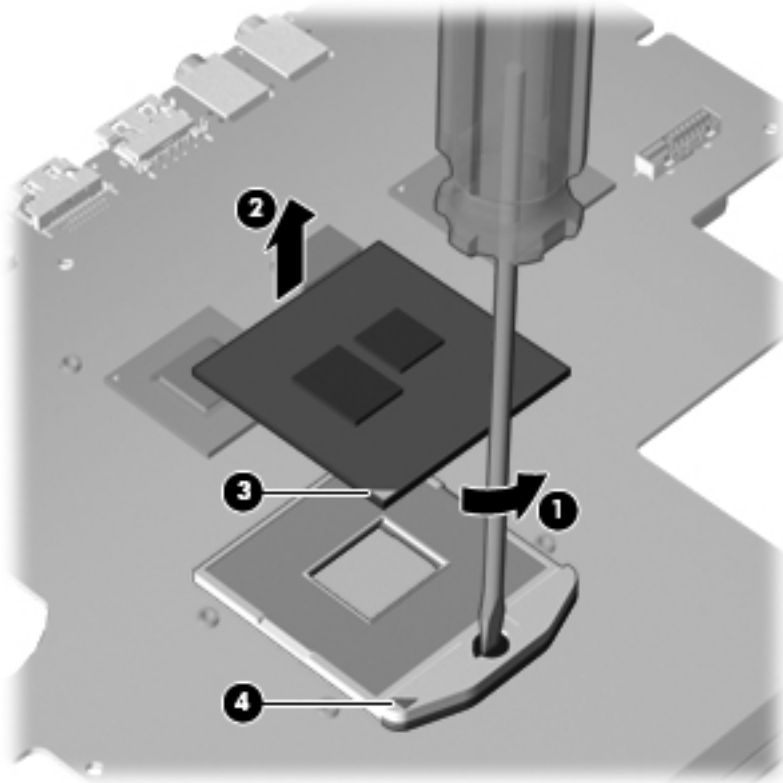
1. Shut down the computer. If you are unsure whether the computer is off or in Hibernation, turn the computer on, and then shut it down through the operating system.
2. Disconnect all external devices connected to the computer.
3. Disconnect the power from the computer by first unplugging the power cord from the AC outlet and then unplugging the AC adapter from the computer.
4. Remove the battery (see [Battery on page 43](#)), and then remove the following components:
 - WLAN module (see [WLAN module on page 44](#))
 - Keyboard (see [Keyboard on page 53](#))
 - Top cover (see [Top cover on page 56](#))
 - Speakers (see [Speakers on page 63](#))
 - USB board (see [USB board on page 65](#))
 - Power connector cable (see [Power connector cable on page 66](#))
 - Display assembly (see [Display assembly on page 68](#))
 - System board (see [System board on page 76](#))
 - Fan/heat sink assembly (see [Fan/heat sink assembly on page 83](#))

Remove the processor:

1. Use a flat-bladed screw driver to turn the processor locking screw one-half turn counterclockwise (**1**), until you hear a click.

2. Lift the processor **(2)** straight up, and then remove it.

 **NOTE:** The gold triangle **(3)** on the processor must be aligned with the triangle icon **(4)** embossed on the processor socket when you install the processor.




Reverse this procedure to install the processor.


5 Setup Utility (BIOS) and System Diagnostics

Using Setup Utility

Setup Utility, or Basic Input/Output System (BIOS), controls communication between all the input and output devices on the system (such as disk drives, display, keyboard, mouse, and printer). Setup Utility includes settings for the types of peripherals installed, the startup sequence of the computer, and the amount of system and extended memory.

 **NOTE:** Use extreme care when making changes in Setup Utility. Errors can prevent the computer from operating properly.

Starting Setup Utility

 **NOTE:** An external keyboard or mouse connected to a USB port can be used with Setup Utility only if USB legacy support is enabled.

To start Setup Utility, follow these steps:

1. Turn on or restart the computer, and then press **esc** while the “Press the ESC key for Startup Menu” message is displayed at the bottom of the screen.
2. Press **f10** to enter Setup Utility.

Changing the language of Setup Utility

1. Start Setup Utility.
2. Use the arrow keys to select **System Configuration > Language**, and then press **enter**.
3. Use the arrow keys to select a language, and then press **enter**.
4. When a confirmation prompt with your language selected is displayed, press **enter**.
5. To save your change and exit Setup Utility, use the arrow keys to select **Exit > Exit Saving Changes**, and then press **enter**.

Your change takes effect immediately.

Navigating and selecting in Setup Utility

To navigate and select in Setup Utility, follow these steps:

1. Turn on or restart the computer, and then press **esc** while the “Press the ESC key for Startup Menu” message is displayed at the bottom of the screen.
 - To select a menu or a menu item, use the tab key and the keyboard arrow keys and then press **enter**, or use a pointing device to click the item.
 - To scroll up and down, click the up arrow or the down arrow in the upper-right corner of the screen, or use the up arrow key or the down arrow key.
 - To close open dialog boxes and return to the main Setup Utility screen, press **esc**, and then follow the on-screen instructions.
2. Press **f10** to enter Setup Utility.

To exit Setup Utility menus, choose one of the following methods:


- To exit Setup Utility menus without saving your changes, press the **esc** key, and then follow the on-screen instructions.
– or –
Use the arrow keys to select **Exit > Exit Discarding Changes**, and then press **enter**.
- To save your changes and exit Setup Utility menus, press **f10**, and then follow the on-screen instructions.
– or –
Use the tab key and the arrow keys to select **Exit > Exit Saving Changes**, and then press **enter**.

Your changes go into effect when the computer restarts.

Displaying system information

1. Start Setup Utility.
2. Select the **Main** menu. System information such as the system time and date, and identification information about the computer is displayed.
3. To exit Setup Utility without changing any settings, use the arrow keys to select **Exit > Exit Discarding Changes**, and then press **enter**.

Restoring factory settings in Setup Utility

 **NOTE:** Restoring defaults will not change the hard drive mode.


To return all settings in Setup Utility to the values that were set at the factory, follow these steps:

1. Turn on or restart the computer, and then press **esc** while the “Press the ESC key for Startup Menu” message is displayed at the bottom of the screen.
2. Press **f10** to enter Setup Utility.
3. Use the arrow keys to select **Exit > Load Setup Defaults**.
4. Follow the on-screen instructions.
5. To save your changes and exit, press **f10**, and then follow the on-screen instructions.

– or –

Use the arrow keys to select **Exit > Exit Saving Changes**, and then press **enter**.

Your changes go into effect when the computer restarts.

 **NOTE:** Your password settings and security settings are not changed when you restore the factory settings.

Exiting Setup Utility

- To exit Setup Utility and save your changes from the current session:
If the Setup Utility menus are not visible, press **esc** to return to the menu display. Then use the arrow keys to select **Exit > Exit Saving Changes**, and then press **enter**.
- To exit Setup Utility without saving your changes from the current session:
If the Setup Utility menus are not visible, press **esc** to return to the menu display. Then use the arrow keys to select **Exit > Exit Discarding Changes**, and then press **enter**.

Updating the BIOS

Updated versions of the BIOS may be available on the HP Web site.

Most BIOS updates on the HP Web site are packaged in compressed files called *SoftPaqs*.

Some download packages contain a file named *Readme.txt*, which contains information regarding installing and troubleshooting the file.


Determining the BIOS version

To determine whether available BIOS updates contain later BIOS versions than those currently installed on the computer, you need to know the version of the system BIOS currently installed.

BIOS version information (also known as *ROM date* and *System BIOS*) can be displayed by pressing **fn +esc** (if you are already in Windows) or by using Setup Utility.

1. Start Setup Utility (BIOS).
2. Use the arrow keys to select **Main**.
3. To exit Setup Utility (BIOS) without saving your changes, use the tab key and the arrow keys to select **Exit > Exit Discarding Changes**, and then press **enter**.

Downloading a BIOS update

 **CAUTION:** To reduce the risk of damage to the computer or an unsuccessful installation, download and install a BIOS update only when the computer is connected to reliable external power using the AC adapter. Do not download or install a BIOS update while the computer is running on battery power, docked in an optional docking device, or connected to an optional power source. During the download and installation, follow these instructions:

Do not disconnect power from the computer by unplugging the power cord from the AC outlet.


Do not shut down the computer or initiate Sleep or Hibernation.

Do not insert, remove, connect, or disconnect any device, cable, or cord.

1. **Windows 7**—Select **Start > Help and Support > Maintain**.


Windows XP—Select **Start > Help and Support**, and then select the software and drivers update.

2. Follow the on-screen instructions to identify your computer and access the BIOS update you want to download.
3. At the download area, follow these steps:
 - a. Identify the BIOS update that is later than the BIOS version currently installed on your computer. Make a note of the date, name, or other identifier. You may need this information to locate the update later, after it has been downloaded to your hard drive.
 - b. Follow the on-screen instructions to download your selection to the hard drive. Make a note of the path to the location on your hard drive where the BIOS update is downloaded. You will need to access this path when you are ready to install the update.

 **NOTE:** If you connect your computer to a network, consult the network administrator before installing any software updates, especially system BIOS updates.

BIOS installation procedures vary. Follow any instructions that are displayed on the screen after the download is complete. If no instructions are displayed, follow these steps:

1. **Windows 7**—Open Windows Explorer by selecting **Start > Computer**.
Windows XP—Open Windows Explorer by selecting **Start > My Computer**.
2. Double-click your hard drive designation. The hard drive designation is typically Local Disk (C:).
3. Using the hard drive path you recorded earlier, open the folder on your hard drive that contains the update.
4. Double-click the file that has an .exe extension (for example, *filename.exe*).
The BIOS installation begins.
5. Complete the installation by following the on-screen instructions.

 **NOTE:** After a message on the screen reports a successful installation, you can delete the downloaded file from your hard drive.

Using System Diagnostics


System Diagnostics allows you to run diagnostic tests to determine if the computer hardware is functioning properly. The following diagnostic tests are available in System Diagnostics:

- Start-up test—This test analyzes the main computer components that are required to start the computer.
- Run-in test—This test repeats the start-up test and checks for intermittent problems that the start-up test does not detect.
- Hard disk test—This test analyzes the physical condition of the hard drive, and then checks all data in every sector of the hard drive. If the test detects a damaged sector, it attempts to move the data to a good sector.
- Memory test—This test analyzes the physical condition of the memory modules. If it reports an error, replace the memory modules immediately.
- Battery test—This test analyzes the condition of the battery. If the battery fails the test, contact HP support to report the issue and purchase a replacement battery.

You can also view system information and error logs in the System Diagnostics window.

To start System Diagnostics:

1. Turn on or restart the computer. While the “Press the ESC key for Startup Menu” message is displayed in the lower-left corner of the screen, press **esc**. When the Startup Menu is displayed, press **f2**.
2. Click the diagnostic test you want to run, and then follow the on-screen instructions.

 **NOTE:** If you need to stop a diagnostics test while it is running, press **esc**.

6 Specifications

Computer specifications

	Metric	U.S.
Dimensions		
Depth	23.1 cm	9.09 in
Width	34.2 cm	13.46 in
Height (front to back)	3.1 to 3.6 cm	1.22 to 1.39 in
Weight	2.19 kg	4.84 lb
Input power		
Operating voltage	18.5 V dc @ 3.5 A - 65 W or 19.0 V dc @ 4.74 A - 90 W	
Operating current	3.5 A - 65 W or 4.74 A - 90 W	
Temperature		
Operating	5°C to 35°C	41°F to 95°F
Nonoperating	-20°C to 60°C	-4°F to 140°F
Relative humidity (noncondensing)		
Operating	10% to 90%	
Nonoperating	5% to 95%	
Maximum altitude (unpressurized)		
Operating	-15 m to 3,048 m	-50 ft to 10,000 ft
Nonoperating	-15 m to 12,192 m	-50 ft to 40,000 ft

NOTE: Applicable product safety standards specify thermal limits for plastic surfaces. The device operates well within this range of temperatures.

14.0-inch display specifications

	Metric	U.S.
Dimensions		
Height	17.6 cm	6.93 in
Width	31.2 cm	12.28 in
Diagonal	35.7 cm	14.06 in
Number of colors	Up to 16.8 million	
Contrast ratio	200:1 (typical)	
Brightness	200 nits (typical)	
Pixel resolution		
Pitch	0.197 × 0.197 mm	
Format	1366 × 768	
Configuration	RGB vertical stripe	
Backlight	LED	
Character display	80 × 25	
Total power consumption	2.0 W	
Viewing angle	±65° horizontal, ±50° vertical (typical)	

Hard drive specifications

	500-GB*	320-GB*	250-GB*
Dimensions			
Height	9.5 mm	9.5 mm	7.0 mm
Length	100.4 mm	100.4 mm	100.4 mm
Width	69.9 mm	69.9 mm	69.9 mm
Weight	110 g	110 g	110 g
Interface type	SATA	SATA	SATA
Transfer rate			
Synchronous (maximum)	1.1 GB/sec	1.1 GB/sec	1.1 GB/sec
Security	ATA security	ATA security	ATA security
Seek times (typical read, including setting)			
Single track	1.5 ms	1.5 ms	1.5 ms
Average (read/write)	11/13 ms	11/13 ms	11/13 ms
Maximum	22 ms	22 ms	22 ms
Logical blocks	976,773,168	628,142,448	488,397,168
Disk rotational speed	5400 rpm	5400 rpm	5400 rpm
Operating temperature	0°C to 60°C (32°F to 140°F)		
*1 GB = 1 billion bytes when referring to hard drive storage capacity. Actual accessible capacity is less.			
NOTE: Certain restrictions and exclusions apply. Contact technical support for details.			

7 Backup and recovery

Your computer includes tools provided by the operating system and HP to help you safeguard your information and restore it if ever needed.


This chapter provides information on the following topics:


- Creating a set of recovery discs or a recovery flash drive (Recovery Manager software feature)
- Performing a system restore (from the partition, recovery discs, or a recovery flash drive)
- Backing up your information
- Recovering a program or driver

Restore

In the event of hard drive failure, to restore your system to its factory image you will need a set of recovery discs or a recovery flash drive that you can create using HP Recovery Manager. HP recommends that you use this software to create either a set of recovery discs or a recovery flash drive immediately after software setup.


If for some other reason you need to restore your system, this can be achieved using the HP Recovery partition (select models only), without the need for recovery discs or a recovery flash drive. To check for the presence of a recovery partition, click **Start**, right-click **Computer**, click **Manage**, and then click **Disk Management**. If the recovery partition is present, a Recovery drive is listed in the window.


 **CAUTION:** HP Recovery Manager (partition, or discs/flash drive) restores only software that was preinstalled at the factory. Software not provided with this computer must be reinstalled manually.

 **NOTE:** Recovery discs have been included if your computer does not have a recovery partition.

Creating restore media


HP recommends that you create either a set of recovery discs or a recovery flash drive to be sure that you can restore your computer to its original factory state if the hard drive fails, or if for any reason you cannot restore using the recovery partition tools. Create these discs or the flash drive after setting up the computer for the first time.

 **NOTE:** HP Recovery Manager allows the creation of only one set of recovery discs or one recovery flash drive. Handle these discs or flash drive carefully and keep them in a safe place.


 **NOTE:** If your computer does not include an integrated optical drive, you can use an optional external optical drive (purchased separately) to create recovery discs, or you can purchase recovery discs for your computer from the HP Web site. If you use an external optical drive, it must be connected directly to a USB port on the computer, not to a USB port on an external device, such as a USB hub.

Guidelines:

- Purchase high-quality DVD-R, DVD+R, DVD-R DL, or DVD+R DL discs.

 **NOTE:** Read-write discs, such as CD-RW, DVD±RW, and double-layer DVD±RW discs, are not compatible with the Recovery Manager software.

- The computer must be connected to AC power during this process.
- Only one set of recovery discs or one recovery flash drive can be created per computer.

 **NOTE:** If you are creating recovery discs, number each disc before inserting into the optical drive.


- If necessary, you can exit the program before you have finished creating the recovery discs or recovery flash drive. The next time you open Recovery Manager, you will be prompted to continue the backup creation process.

To create a set of recovery discs or a recovery flash drive:

1. Select **Start > All Programs > Recovery Manager > Recovery Media Creation**.
2. Follow the on-screen instructions.

Performing a system restore

Recovery Manager software allows you to repair or restore the computer to its original factory state. Recovery Manager works from recovery discs, a recovery flash drive, or from a dedicated recovery partition (select models only) on the hard drive.

 **NOTE:** A system restore needs to be performed if the computer hard drive has failed or if all attempts to correct any functional computer issues fail. A system restore should be used as a final attempt to correct computer issues.

Note the following when performing a system restore:

- You can restore only the system that you have previously backed up. HP recommends that you use HP Recovery Manager to create either a set of recovery discs or a recovery flash drive as soon as you set up the computer.
- Windows has its own built-in repair features, such as System Restore. If you have not already tried these features, try them before using Recovery Manager.
- Recovery Manager restores only software that was preinstalled at the factory. Software not provided with this computer must be downloaded from the manufacturer's Web site or reinstalled from the disc provided by the manufacturer.

Restoring using the dedicated recovery partition (select models only)

When using the dedicated recovery partition, there is an option to back up pictures, music and other audio, videos and movies, recorded TV shows, documents, spreadsheets and presentations, e-mails, Internet favorites and settings during this process.

To restore the computer from the recovery partition, follow these steps:


1. Access Recovery Manager in either of the following ways:
 - Select **Start > All Programs > Recovery Manager > Recovery Manager**.
 - or –
 - Turn on or restart the computer, and then press **esc** while the “Press the ESC key for Startup Menu” message is displayed at the bottom of the screen. Then, press **f11** while the “F11 (System Recovery)” message is displayed on the screen.
2. Click **System Recovery** in the **Recovery Manager** window.
3. Follow the on-screen instructions.

Restoring using the restore media

1. If possible, back up all personal files.
2. Insert the first recovery disc into the optical drive on your computer or an optional external optical drive, and then restart the computer.

– or –

Insert the recovery flash drive into a USB port on your computer, and then restart the computer.

 **NOTE:** If the computer does not automatically restart in the Recovery Manager, the computer boot order needs to be changed.

3. Press **f9** at system bootup.
4. Select the optical drive or the flash drive.
5. Follow the on-screen instructions.

Changing the computer boot order

To change the boot order for recovery discs:

1. Restart the computer.
2. Press **esc** while the computer is restarting, and then press **f9** for boot options.
3. Select **Internal CD/DVD ROM Drive** from the boot options window.

To change the boot order for recovery flash drive:

1. Insert the flash drive into a USB port.
2. Restart the computer.
3. Press **esc** while the computer is restarting, and then press **f9** for boot options.
4. Select the flash drive from the boot options window.

Backing up and recovering your information

It is very important to back up your files and keep any new software in a safe place. As you add new software and data files, continue to create backups on a regular basis.

How completely you are able to recover your system depends on how recent your backup is.



NOTE: A recovery from your most recent backup needs to be performed if the computer has a virus attack or if any major system components fail. In order to correct computer issues, a recovery should first be attempted before a system restore is attempted.

You can back up your information to an optional external hard drive, a network drive, or discs. Back up your system at the following times:

- At regularly scheduled times



TIP: Set reminders to back up your information periodically.

- Before the computer is repaired or restored
- Before you add or modify hardware or software

Guidelines:

- Create system restore points using the Windows System Restore feature, and periodically copy them to an optical disc or an external hard drive. For more information on using system restore points, refer to **Using Windows system restore points**.
- Store personal files in the Documents library and back up this folder periodically.
- Save customized settings in a window, toolbar, or menu bar by taking a screen shot of your settings. The screen shot can be a time-saver if you have to re-enter your preferences.

To create a screen shot:

1. Display the screen you want to save.
2. Copy the screen image:

To copy only the active window, press **alt+fn+prt sc**.

To copy the entire screen, press **fn+prt sc**.

3. Open a word-processing document, and then select **Edit > Paste**. The screen image is added to the document.
4. Save and print the document.

Using Windows Backup and Restore

Guidelines:

- Be sure that the computer is connected to AC power before you start the backup process.
- Allow enough time to complete the backup process. Depending on file sizes, it may take over an hour.

To create a backup:

1. Select **Start > Control Panel > System and Security > Backup and Restore**.
2. Follow the on-screen instructions to schedule and create a backup.



NOTE: Windows includes the User Account Control feature to improve the security of the computer. You may be prompted for your permission or password for tasks such as installing software, running utilities, or changing Windows settings. Refer to Help and Support for more information.

Using Windows system restore points

A system restore point allows you to save and name a snapshot of your hard drive at a specific point in time. You can then recover back to that point if you want to reverse subsequent changes.



NOTE: Recovering to an earlier restore point does not affect data files saved or e-mails created since the last restore point.

You also can create additional restore points to provide increased protection for your files and settings.

When to create restore points

- Before you add or modify software or hardware
- Periodically, whenever the computer is functioning optimally



NOTE: If you revert to a restore point and then change your mind, you can reverse the restoration.

Create a system restore point

1. Select **Start > Control Panel > System and Security > System**.
2. In the left pane, click **System Protection**.
3. Click the **System Protection** tab.
4. Follow the on-screen instructions.

Restore to a previous date and time

To revert to a restore point (created at a previous date and time), when the computer was functioning optimally, follow these steps:

1. Select **Start > Control Panel > System and Security > System**.
2. In the left pane, click **System Protection**.
3. Click the **System Protection** tab.
4. Click **System Restore**.
5. Follow the on-screen instructions.

8 Power cord set requirements

The wide-range input feature of the computer permits it to operate from any line voltage from 100 to 120 volts AC, or from 220 to 240 volts AC.

The 3-conductor power cord set included with the computer meets the requirements for use in the country or region where the equipment is purchased.

Power cord sets for use in other countries and regions must meet the requirements of the country or region where the computer is used.

Requirements for all countries

The following requirements are applicable to all countries and regions:

- The length of the power cord set must be at least **1.5 m** (5.0 ft) and no more than **2.0 m** (6.5 ft).
- All power cord sets must be approved by an acceptable accredited agency responsible for evaluation in the country or region where the power cord set will be used.
- The power cord sets must have a minimum current capacity of 10 amps and a nominal voltage rating of 125 or 250 V AC, as required by the power system of each country or region.
- The appliance coupler must meet the mechanical configuration of an EN 60 320/IEC 320 Standard Sheet C13 connector for mating with the appliance inlet on the back of the computer.

Requirements for specific countries and regions

Country/region	Accredited agency	Applicable note number
Australia	EANSW	1
Austria	OVE	1
Belgium	CEBC	1
Canada	CSA	2
Denmark	DEMKO	1
Finland	FIMKO	1
France	UTE	1
Germany	VDE	1
Italy	IMQ	1
Japan	METI	3
The Netherlands	KEMA	1
Norway	NEMKO	1
The People's Republic of China	COC	5
South Korea	EK	4
Sweden	SEMKO	1
Switzerland	SEV	1
Taiwan	BSMI	4
The United Kingdom	BSI	1
The United States	UL	2

1. The flexible cord must be Type HO5VV-F, 3-conductor, 1.0-mm² conductor size. Power cord set fittings (appliance coupler and wall plug) must bear the certification mark of the agency responsible for evaluation in the country or region where it will be used.
2. The flexible cord must be Type SPT-3 or equivalent, No. 18 AWG, 3-conductor. The wall plug must be a two-pole grounding type with a NEMA 5-15P (15 A, 125 V) or NEMA 6-15P (15 A, 250 V) configuration.
3. The appliance coupler, flexible cord, and wall plug must bear a "T" mark and registration number in accordance with the Japanese Dentori Law. The flexible cord must be Type VCT or VCTF, 3-conductor, 1.00-mm² conductor size. The wall plug must be a two-pole grounding type with a Japanese Industrial Standard C8303 (7 A, 125 V) configuration.
4. The flexible cord must be Type RVV, 3-conductor, 0.75-mm² conductor size. Power cord set fittings (appliance coupler and wall plug) must bear the certification mark of the agency responsible for evaluation in the country or region where it will be used.
5. The flexible cord must be Type VCTF, 3-conductor, 0.75-mm² conductor size. Power cord set fittings (appliance coupler and wall plug) must bear the certification mark of the agency responsible for evaluation in the country or region where it will be used.

9 Recycling

Battery

When a battery has reached the end of its useful life, do not dispose of the battery in general household waste. Follow the local laws and regulations in your area for computer battery disposal.

Display

⚠ WARNING! The backlight contains mercury. Caution must be exercised when removing and handling the backlight to avoid damaging this component and causing exposure to the mercury.

⚠ CAUTION: The procedures in this chapter can result in damage to display components. The only components intended for recycling purposes are the liquid crystal display (LCD) panel and the backlight. When you remove these components, handle them carefully.

📝 NOTE: Materials Disposal. This HP product contains mercury in the backlight in the display assembly that might require special handling at end-of-life. Disposal of mercury may be regulated because of environmental considerations. For disposal or recycling information, contact your local authorities, or see the Electronic Industries Alliance (EIA) Web site at <http://www.eiai.org>.

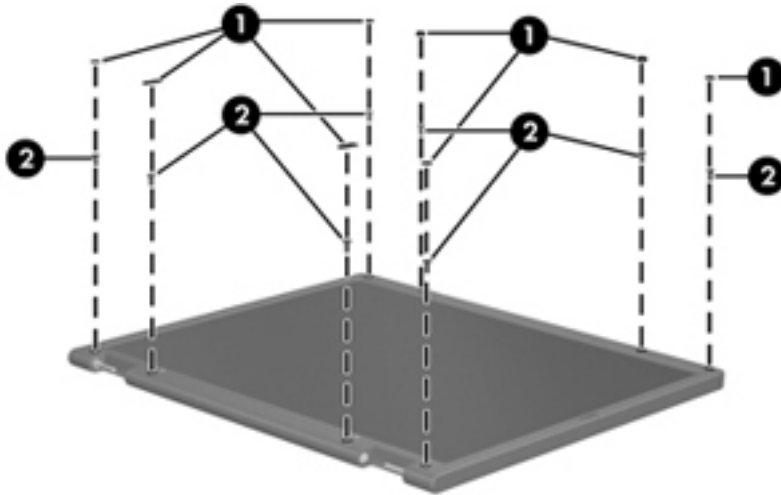
This section provides disassembly instructions for the display assembly. The display assembly must be disassembled to gain access to the backlight **(1)** and the liquid crystal display (LCD) panel **(2)**.



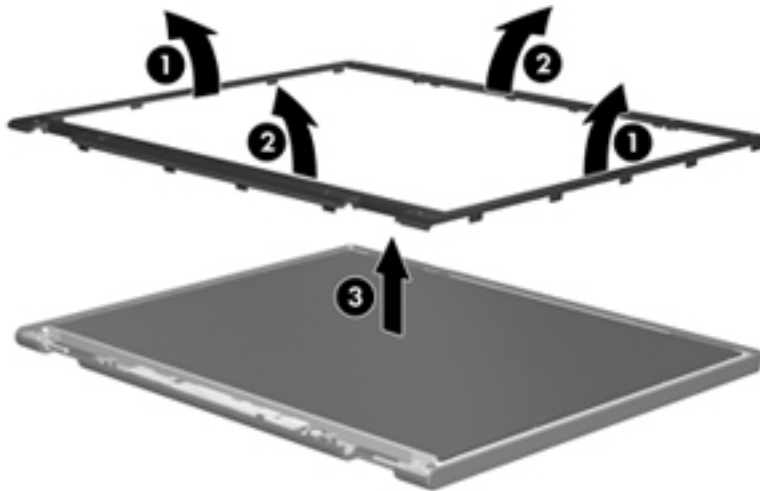
📝 NOTE: The procedures provided in this chapter are general disassembly instructions. Specific details, such as screw sizes, quantities, and locations, and component shapes and sizes, can vary from one computer model to another.

Perform the following steps:

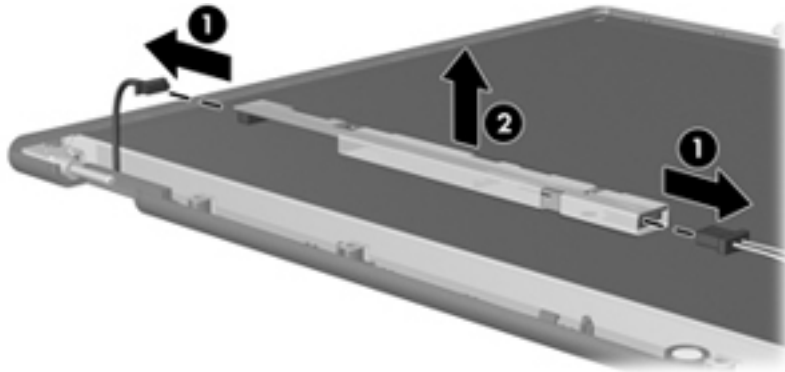
1. Remove all screw covers **(1)** and screws **(2)** that secure the display bezel to the display assembly.



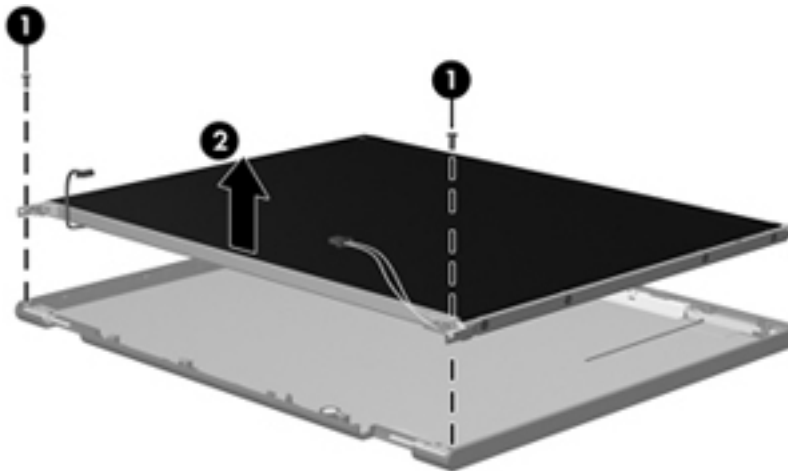
2. Lift up and out on the left and right inside edges **(1)** and the top and bottom inside edges **(2)** of the display bezel until the bezel disengages from the display assembly.
3. Remove the display bezel **(3)**.



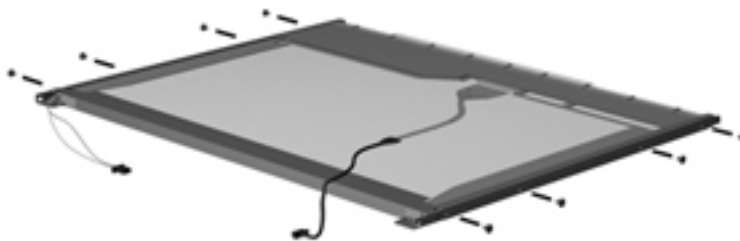
4. Disconnect all display panel cables **(1)** from the display inverter and remove the inverter **(2)**.



5. Remove all screws **(1)** that secure the display panel assembly to the display enclosure.
6. Remove the display panel assembly **(2)** from the display enclosure.

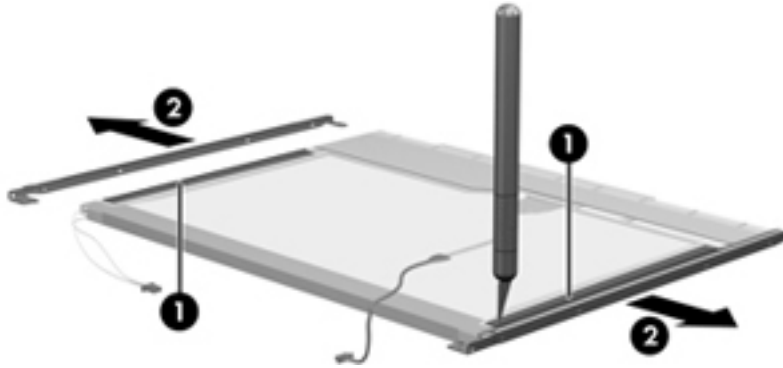


7. Turn the display panel assembly upside down.
8. Remove all screws that secure the display panel frame to the display panel.



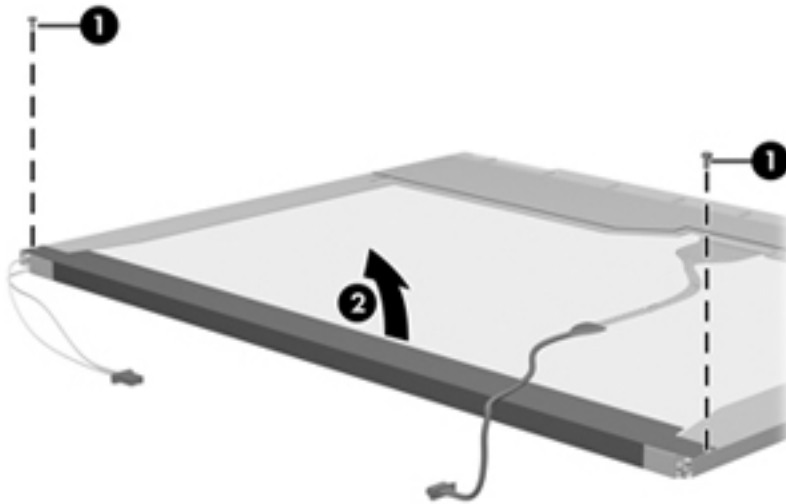
9. Use a sharp-edged tool to cut the tape **(1)** that secures the sides of the display panel to the display panel frame.

10. Remove the display panel frame **(2)** from the display panel.



11. Remove the screws **(1)** that secure the backlight cover to the display panel.

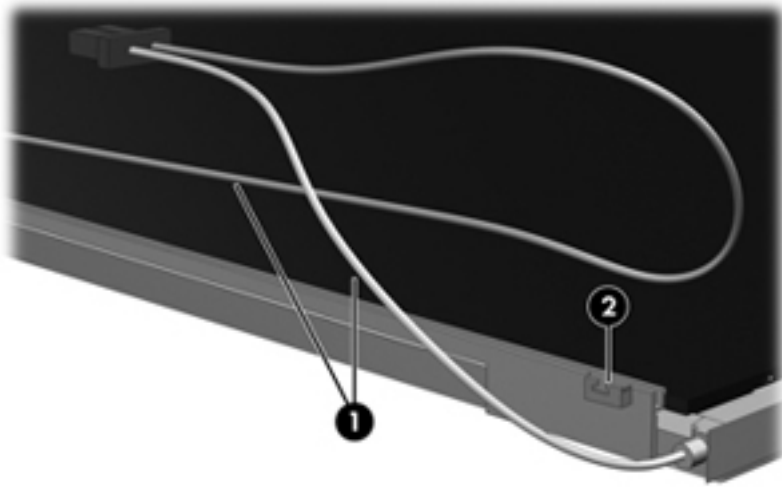
12. Lift the top edge of the backlight cover **(2)** and swing it outward.



13. Remove the backlight cover.

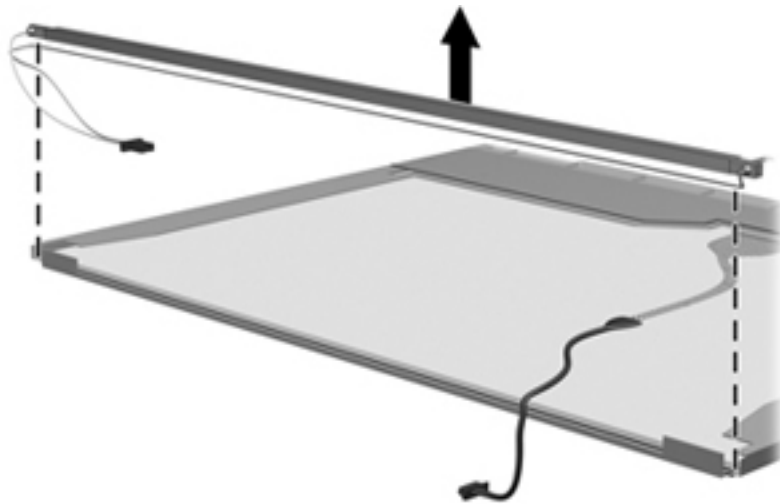
14. Turn the display panel right-side up.

15. Remove the backlight cables (1) from the clip (2) in the display panel.



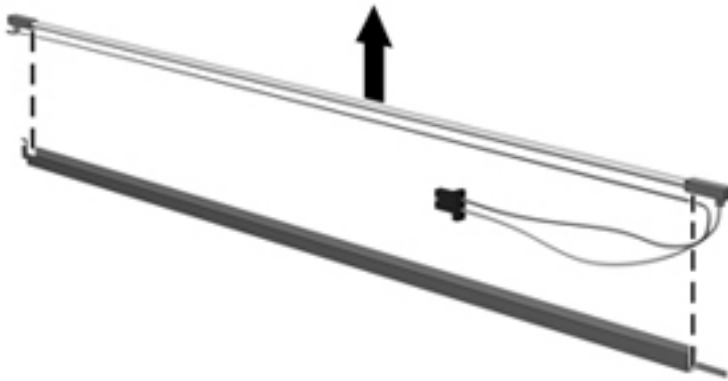
16. Turn the display panel upside down.

17. Remove the backlight frame from the display panel.



⚠ WARNING! The backlight contains mercury. Exercise caution when removing and handling the backlight to avoid damaging this component and causing exposure to the mercury.

18. Remove the backlight from the backlight frame.

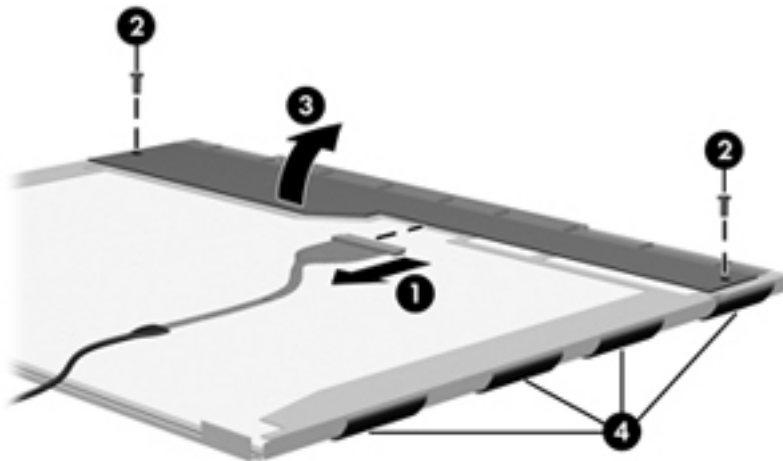


19. Disconnect the display cable **(1)** from the LCD panel.

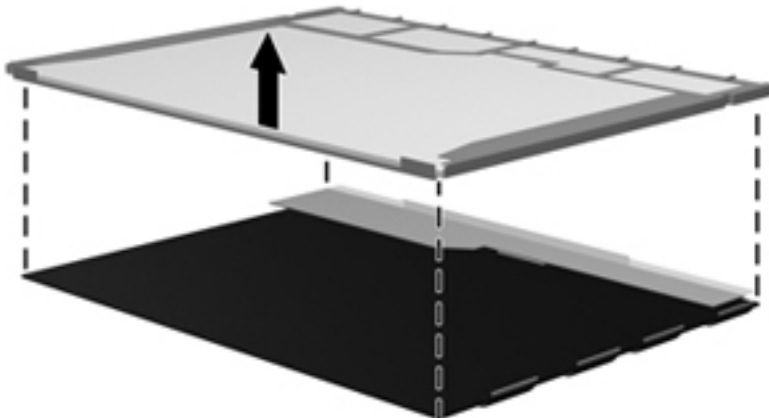
20. Remove the screws **(2)** that secure the LCD panel to the display rear panel.

21. Release the LCD panel **(3)** from the display rear panel.

22. Release the tape **(4)** that secures the LCD panel to the display rear panel.



23. Remove the LCD panel.



24. Recycle the LCD panel and backlight.

Index

A

AC adapter, spare part numbers 29, 31
Action keys 12
antenna
 locations 10
 removal 75
 spare part number 27, 33, 75
Antenna Kit, spare part number 27, 33, 75
audio, product description 6
audio-in jack 15
audio-out jack 15

B

base enclosure, spare part number 24, 34
battery
 removal 43
 spare part numbers 24, 31, 43
battery bay 17
battery release latch 17
battery/AC adapter light 16
Blu-ray Disc ROM with SuperMulti DVD±R/RW Double-Layer Drive
 precautions 37
 removal 51
 spare part number 24, 29, 33, 51
bottom components 17
button components 11
buttons
 power 11
 TouchPad 14
 TouchPad on/off 14

C

Cable Kit
 contents 25
 spare part number 21, 25, 33
cables, service considerations 36
caps lock light 13
chipset, product description 3
components
 bottom 17
 button 11
 display 10
 keys 12
 left-side 15
 lights 13
 right-side 16
 TouchPad 14
computer feet, locations 42
computer major components 20
computer part number 42
computer specifications 97
connectors, service considerations 36

D

Digital Media Slot 15
display assembly
 removal 68
 spare part numbers 21, 33, 34, 35, 68
 subcomponents 26
display bezel
 removal 70
 spare part numbers 26, 33, 34, 70
Display Cable Kit, spare part number 27, 33, 74
display components 10
display enclosure, spare part numbers 27, 32, 34

Display Hinge Kit, spare part number 27, 33, 74
display panel
 product description 5
 removal 72
 spare part numbers 27, 33, 35, 73
display panel cable
 removal 74
 spare part number 27, 33, 74
Display Screw Kit, spare part number 27, 33
display specifications 98
display switch 10
drives, preventing damage 37
DVD±RW and CD-RW Super Multi Double-Layer Combo Drive
 precautions 37
 removal 51
 spare part number 24, 29, 33, 51

E

electrostatic discharge 37
equipment guidelines 40
esc key 12
Ethernet, product description 6
external media cards, product description 7
external monitor port 15

F

fan/heat sink assembly
 removal 83
 spare part numbers 23, 34, 35, 83
feet, locations 42
fn key 12

- G**
 - graphics, product description 4
 - grounding guidelines 37
 - guidelines
 - equipment 40
 - grounding 37
 - packaging 39
 - transporting 39
 - workstation 39
- H**
 - hard drive
 - precautions 37
 - product description 5
 - removal 48
 - spare part numbers 24, 28, 31, 32, 35, 48
 - specifications 99
 - hard drive bay 17
 - hard drive bracket
 - illustrated 28
 - removal 50
 - hard drive compartment cover
 - illustrated 30
 - removal 48
 - hard drive connector cable
 - illustrated 25
 - removal 50
 - Hard Drive Hardware Kit, spare part number 24, 28, 33, 48
 - hard drive light 16
 - HDMI port 15
 - headphone jack 15
 - hinge
 - removal 73
 - spare part number 27, 33, 74
 - hinge cover
 - removal 71
 - spare part number 26, 33, 72
- J**
 - jacks
 - audio-in 15
 - audio-out 15
 - headphone 15
 - microphone 15
 - network 15
 - RJ-45 15
- K**
 - key components 12
- keyboard
 - product description 8
 - removal 53
 - spare part numbers 21, 33, 53
- keys
 - Action 12
 - esc 12
 - fn 12
 - Windows applications 12
 - Windows logo 12
- L**
 - left-side components 15
 - light components 13
 - lights
 - battery/AC adapter 16
 - caps lock 13
 - hard drive 16
 - optical drive 16
 - power 13, 16
 - TouchPad 13, 14
 - webcam 10
 - wireless 13
- M**
 - mass storage device
 - precautions 37
 - removal 48
 - spare part numbers 28, 48
 - memory module
 - product description 5
 - removal 47
 - spare part numbers 24, 31, 32, 47
 - memory module compartment 17
 - memory module/wireless module compartment cover
 - illustrated 30
 - removal 44
 - microphone
 - location 11
 - product description 6
 - microphone jack 15
 - model name 1
 - monitor port 15
- N**
 - network jack 15
- O**
 - operating system, product description 8
 - optical drive
 - location 16
 - precautions 37
 - product description 6
 - removal 51
 - spare part numbers 24, 28, 33, 51
 - optical drive bracket, removal 52
 - optical drive connector cable
 - illustrated 25
 - removal 79
 - optical drive light 16
- P**
 - packaging guidelines 39
 - plastic parts, service considerations 36
 - Plastics Kit
 - contents 30
 - spare part number 21, 30, 33, 45, 49
 - pointing device, product description 8
 - ports
 - external monitor 15
 - HDMI 15
 - monitor port 15
 - product description 7
 - USB 15, 16
 - power button 11
 - power button board
 - removal 60
 - spare part number 21, 33, 60
 - power connector 16
 - power connector cable
 - removal 66
 - spare part number 21, 34
 - power cord
 - set requirements 107
 - spare part numbers 29, 30
 - power light 13, 16
 - power requirements, product description 8
 - processor
 - product description 1

- removal 89
- spare part numbers 22, 30, 31, 32, 35, 89
- product description
 - audio 6
 - chipset 3
 - display panel 5
 - Ethernet 6
 - external media cards 7
 - graphics 4
 - hard drives 5
 - keyboard 8
 - memory module 5
 - microphone 6
 - operating system 8
 - optical drive 6
 - pointing device 8
 - ports 7
 - power requirements 8
 - processors 1
 - product name 1
 - security 8
 - serviceability 9
 - video 6
 - wireless 7
- product name 1, 41
- product number 42

R

- removal/replacement
 - preliminaries 36
 - procedures 41
- right-side components 16
- RJ-45 jack 15
- RTC battery
 - removal 81
 - spare part number 22, 33, 81

S

- Screw Kit, spare part number 29, 33
- security cable slot 16
- security, product description 8
- serial number 41
- service considerations
 - cables 36
 - connectors 36
 - plastic parts 36
- service tag 18, 41

- serviceability, product description 9
- Setup Utility (BIOS) 92
- Speaker Kit, spare part number 22, 33, 63
- speakers
 - locations 10
 - removal 63
 - spare part number 22, 33, 63
- specifications
 - computer 97
 - display 98
 - hard drive 99
- system board
 - removal 76
 - spare part numbers 22, 34, 35, 76
- System Diagnostics 92

T

- tools required 36
- top cover
 - removal 56
 - spare part numbers 21, 33, 34, 56
- TouchPad button 14
- TouchPad button board
 - removal 61
 - spare part number 21, 34, 61
- TouchPad cable
 - disconnection 58
 - illustrated 25
- TouchPad components 14
- TouchPad light 13, 14
- TouchPad on/off button 14
- TouchPad zone 14
- transporting guidelines 39

U

- USB board
 - removal 65
 - spare part number 21, 33
- USB port 15, 16

V

- vents 15, 17
- video, product description 6

W

- warranty period 42
- webcam 10

- webcam light 10
- webcam/microphone module
 - removal 71
 - spare part number 27, 33, 71
- Windows applications key 12
- Windows logo key 12
- wireless antenna
 - locations 10
 - removal 75
 - spare part number 27, 33, 75
- wireless light 13
- wireless, product description 7
- WLAN module
 - removal 44
 - spare part numbers 25, 31, 32, 44
- workstation guidelines 39