



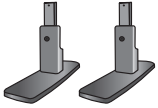
# Stand Installation Guide

Digital Signage Displays

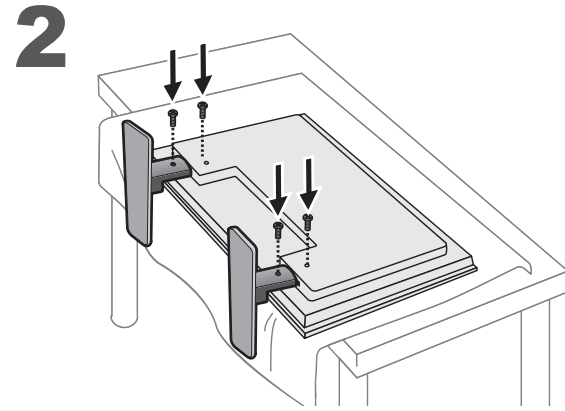
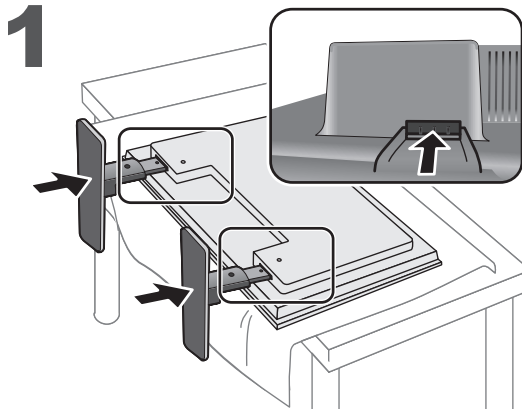
## LD4201, LD4210, LD4220tm



4 M4 x 32 mm  
(1.26 in) screws



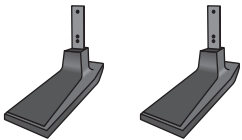
Monitor stand



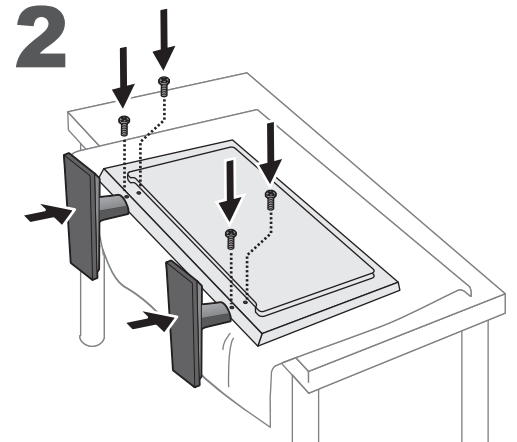
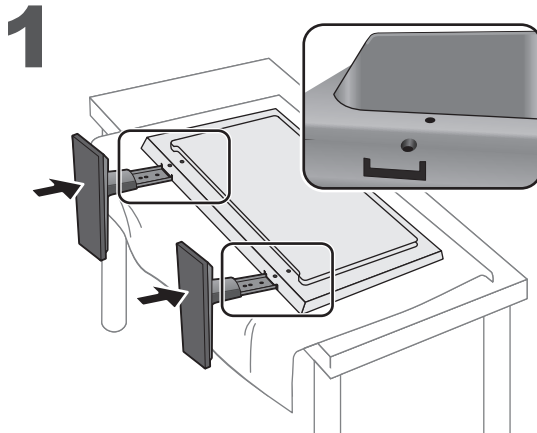
## LD4710, LD4720tm



4 M4 x 10 mm  
(0.39 in) screws



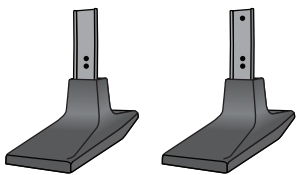
Monitor stand



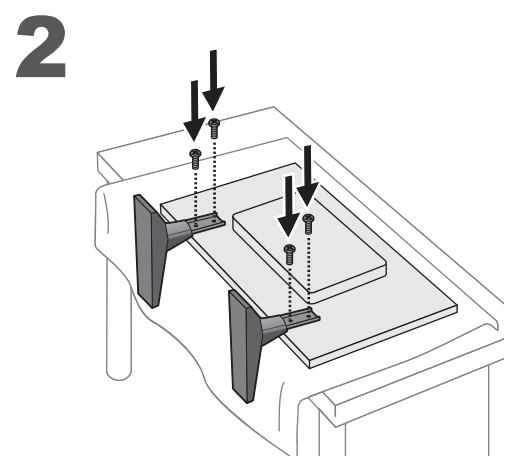
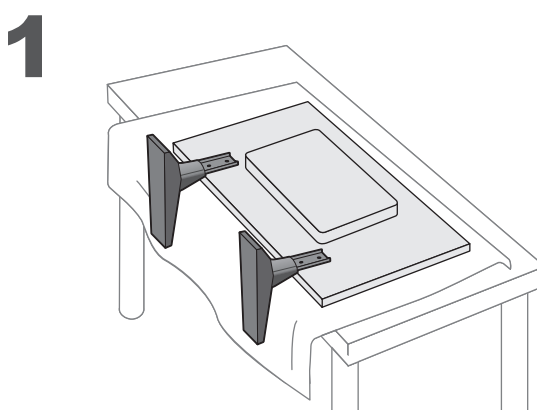
## LD4730, LD4730G



4 M4 x 10 mm  
(0.39 in) screws



Monitor stand



## Technical Support

To contact your regional HP technical support, go to [www.hp.com/support](http://www.hp.com/support). For additional information, refer to the user guide included on the CD that comes with the monitor.

Printed in

Second Edition, September 2011



627002-B22

© Copyright 2011 Hewlett-Packard Development Company, L.P. The information contained herein is subject to change without notice. The only warranties for HP products and services are set forth in the express warranty statements accompanying such products and services. Nothing herein should be construed as constituting an additional warranty. HP shall not be liable for technical or editorial errors or omissions contained herein.