



HP EliteBook 8460w Mobile Workstation
HP EliteBook 8460p Notebook PC
HP ProBook 6460b Notebook PC
Maintenance and Service Guide

© Copyright 2011, 2012 Hewlett-Packard
Development Company, L.P.

Bluetooth is a trademark owned by its proprietor and used by Hewlett-Packard Company under license. Intel and Core are trademarks or registered trademarks of Intel Corporation in the United States and other countries. Microsoft, Windows, and Windows Vista are either trademarks or registered trademarks of Microsoft Corporation in the United States and/or other countries. SD Logo is a trademark of its proprietor.

The information contained herein is subject to change without notice. The only warranties for HP products and services are set forth in the express warranty statements accompanying such products and services. Nothing herein should be construed as constituting an additional warranty. HP shall not be liable for technical or editorial errors or omissions contained herein.

Seventh Edition: March 2012

First Edition: March 2011

Document Part Number: 644152-007

Safety warning notice


 **WARNING!** To reduce the possibility of heat-related injuries or of overheating the computer, do not place the computer directly on your lap or obstruct the computer air vents. Use the computer only on a hard, flat surface. Do not allow another hard surface, such as an adjoining optional printer, or a soft surface, such as pillows or rugs or clothing, to block airflow. Also, do not allow the AC adapter to contact the skin or a soft surface, such as pillows or rugs or clothing, during operation. The computer and the AC adapter comply with the user-accessible surface temperature limits defined by the International Standard for Safety of Information Technology Equipment (IEC 60950).

Table of contents

1 Product description	1
2 External component identification	10
Display	10
Top	13
TouchPad	13
Lights	14
Buttons and fingerprint reader	16
Keys	18
Front	20
Left	21
Rear	22
Right	23
Bottom	25
3 Illustrated parts catalog	27
Service tag	27
Computer major components	28
Display components	36
Cable Kit	39
Plastics Kit	40
Mass storage devices	41
Miscellaneous parts	42
Sequential part number listing	43
4 Removal and replacement procedures	56
Preliminary replacement requirements	56
Tools required	56
Service considerations	56
Plastic parts	56
Cables and connectors	57

Drive handling	57
Grounding guidelines	58
Electrostatic discharge damage	58
Packaging and transporting guidelines	59
Workstation guidelines	59
Equipment guidelines	60
Component replacement procedures	61
Service tag	61
Computer feet	62
Battery	63
SIM	64
Display assembly components (panel, bezel, webcam, microphone)	65
Bottom door	70
Smart card reader	71
Optical drive	72
Upgrade bay	74
Hard drive	76
RTC battery	78
Memory modules	79
WWAN module	81
WLAN module	83
Bluetooth module	88
Modem module	89
Fan	90
Heat sink	91
Processor	94
Keyboard	96
Bottom cover	98
Fingerprint reader board	102
Lid switch	104
Speaker assembly	106
RJ-11 connector cable	108
Display assembly components (cable, antennas, hinges, enclosure)	110
System board	116
USB 3.0 board	120
ExpressCard assembly	121
5 Computer Setup (BIOS) and System Diagnostics	123
Using Computer Setup	123
Starting Computer Setup	123
Navigating and selecting in Computer Setup	123

Restoring factory settings in Computer Setup	124
Updating the BIOS	125
Determining the BIOS version	125
Downloading a BIOS update	125
Using System Diagnostics	126
6 Specifications	127
Computer specifications	127
35.6-cm (14.0-in), HD display specifications	128
35.6-cm (14.0-in), HD+ display specifications	129
Hard drive specifications	130
DVD±RW and CD-RW SuperMulti DL Combo Drive specifications	131
Blu-ray Disc ROM with SuperMulti DVD±R/RW DL Drive	132
Blu-ray BD-R/RE + DVDSM DL Drive	133
DVD-ROM Drive specifications	134
Specification information in Device Manager	135
7 Backup and recovery	136
Windows 7	136
Backing up your information	136
Performing a system recovery	137
Using the Windows recovery tools	138
Using f11 recovery tools	138
Using a Windows 7 operating system DVD (purchased separately)	139
Windows Vista	140
Backing up your information	140
Performing a recovery	141
Using the Windows recovery tools	141
Using f11 recovery tools	142
Using a Windows Vista operating system DVD (purchased separately)	142
8 Power cord set requirements	144
Requirements for all countries and regions	144
Requirements for specific countries and regions	145
9 Recycling	146
Battery	146
Display	146
Index	152

1 Product description

Category	Description	HP ProBook 6460b Notebook PC	HP EliteBook 8460p Notebook PC	HP EliteBook 8460w Mobile Workstation
Product Name	HP ProBook 6460p Notebook PC	√		
	HP EliteBook 8460p Notebook PC		√	
	HP EliteBook 8460w Mobile Workstation			√
Processors	Intel® Core™ i7 processor, Quad Core			
	2860M, 2.50-GHz (Turbo up to 3.60) processor 8-MB L3 cache, 8 threads		√	√
	2820M, 2.30-GHz (Turbo up to 3.40) processor 8-MB L3 cache, 8 threads		√	√
	2760M, 2.40-GHz (Turbo up to 3.50) processor 6-MB L3 cache, 8 threads		√	√
	2720M, 2.20-GHz (Turbo up to 3.30) processor 6-MB L3 cache, 8 threads		√	√
	2670M, 2.20-GHz (Turbo up to 3.10) processor 6-MB L3 cache, 8 threads		√	√
	2630M, 2.00-GHz (Turbo up to 2.90) processor 6-MB L3 cache, 8 threads		√	√
	Intel Core i7 processor, Dual Core			
	2640M, 2.80-GHz (Turbo up to 3.50) processor 4-MB L3 cache, 4 threads	√	√	√
	2620M, 2.70-GHz (Turbo up to 3.40) processor 4-MB L3 cache, 4 threads	√	√	√
	Intel Core i5 processors, Dual Core			
	(not available with iAMT, Intel QM67 chipset)			
	2540M, 2.60-GHz (Turbo up to 3.30) processor 3-MB L3 cache, 4 threads	√	√	√
	2520M, 2.50-GHz (Turbo up to 3.20) processor 3-MB L3 cache, 4 threads	√	√	√
	2450M, 2.50-GHz (Turbo up to 3.10) processor 3-MB L3 cache, 4 threads	√	√	

Category	Description	HP ProBook 6460b Notebook PC	HP EliteBook 8460p Notebook PC	HP EliteBook 8460w Mobile Workstation
	2430M, 2.40-GHz (Turbo up to 3.00) processor 3-MB L3 cache, 4 threads	√	√	
	2410M, 2.30-GHz (Turbo up to 2.90) processor 3-MB L3 cache, 4 threads	√	√	
	Intel Core i3 processors, Dual Core (not available with iAMT, Intel QM67 chipset)			
	2370M, 2.40-GHz processor 3-MB L3 cache, 4 threads	√		
	2350M, 2.30-GHz processor 3-MB L3 cache, 4 threads	√		
	2330M, 2.20-GHz processor 3-MB L3 cache, 4 threads	√	√	
	2310M, 2.10-GHz processor 3-MB L3 cache, 4 threads	√	√	
	Intel Celeron processors			
	B840, 1.90-GHz processor 2-MB L3 cache, 2 threads	√		
	B810, 1.60-GHz processor 2-MB L3 cache, 2 threads	√		
Chipset	Mobile Intel HM65 chipset (Non-vPro configurations)	√		
	Mobile Intel QM67 chipset (vPro configurations)	√		
Graphics	Intel HD Graphics 3000 (UMA)	√	√	
	AMD Radeon™ HD 6470M (discrete)	√	√	
	AMD FirePro™ M3900			√
	Supports Open GL			√
	Supports dual-display ports through the dock	√	√	√
Panel	All display assemblies include 2 wireless local area network (WLAN) antennas	√	√	√
	35.6-cm (14.0-in) HD, anti-glare, LED SVA (1366x768)	√	√	√
	35.6-cm (14.0-in) HD+, anti-glare, LED SVA (1600x900)	√	√	√
	35.6-cm (14.0-in) HD, anti-glare, LED SVA (1366x768) with WWAN	√	√	√
	35.6-cm (14.0-in) HD+, anti-glare, LED SVA (1600x900) with WWAN	√	√	√

Category	Description	HP ProBook 6460b Notebook PC	HP EliteBook 8460p Notebook PC	HP EliteBook 8460w Mobile Workstation
	35.6-cm (14.0-in) HD, anti-glare, LED SVA (1366x768) with camera	√	√	√
	35.6-cm (14.0-in) HD+, anti-glare, LED SVA (1600x900) with camera	√	√	√
	35.6-cm (14.0-in) HD, anti-glare, LED SVA (1366x768) with camera and WWAN	√	√	√
	35.6-cm (14.0-in) HD+, anti-glare, LED SVA (1600x900) with camera and WWAN	√	√	√
	Support privacy filter	√	√	√
Memory	Two customer-accessible/upgradeable memory module slots supporting up to 16 GB of RAM	√	√	√
	Supports dual-channel memory	√	√	√
	PC3-10600, 1333-MHz, DDR3	√	√	√
	Supports the following configurations:	√	√	√
	<ul style="list-style-type: none"> • 16384 (8192 × 2) • 8192 (8192 × 1) • 8192 (4096 × 2) • 6144 (4096 + 2048) • 4096 (2048 × 2) • 4096 (4096 × 1) • 3072 (2048 + 1024) • 2048 (2048 × 1) 			
	Brazil requirements:	√		
	<ul style="list-style-type: none"> • 8192 (4096 × 2) • 4096 (2048 × 2) • 4096 (4096 × 1) • 2048 (2048 × 1) 			
Flash cache	Marvell 16-GB module			√
Hard drives	Supports 9.5-mm, 6.35-cm (2.50-in) SATA hard drives	√	√	√
	Customer-accessible	√	√	√

Category	Description	HP ProBook 6460b Notebook PC	HP EliteBook 8460p Notebook PC	HP EliteBook 8460w Mobile Workstation
	Supports the following drives: <ul style="list-style-type: none"> 750-GB, 7200-rpm 640-GB, 5400-rpm 500-GB, 5400-rpm and 7200-rpm 320-GB, 5400-rpm and 7200-rpm 250-GB, 7200-rpm 	√	√	√
	Supports the following solid-state drives: <ul style="list-style-type: none"> 256-GB 160-GB 128-GB 120-GB 	√	√	√
Upgrade bay	Fixed	√	√	√
	Customer-accessible	√	√	√
	Serial ATA	√	√	√
	12.7-mm tray load	√	√	√
	Supports "No Drive" option	√	√	√
	Supports the following 12.7-mm SATA optical drives: <ul style="list-style-type: none"> DVD-ROM DVD+/-RW SuperMulti DL Blu-ray ROM DVD+/-RW SuperMulti DL 	√	√	√
	Supports the following 9.5-mm SATA hard drive: <ul style="list-style-type: none"> 500-GB, 7200-rpm 320-GB, 7200-rpm 	√	√	√
Microphone	Integrated dual-array microphone (webcam models only)	√	√	√
	Integrated mono (non-webcam models)	√		
Audio	HD audio	√	√	√
	Stereo speakers (2)	√	√	√
Webcam	Integrated webcam (720p HD)	√	√	√
Modem	56K V.92 MDC data/fax modem	√	√	√
	Modem cable not included	√	√	√

Category	Description	HP ProBook 6460b Notebook PC	HP EliteBook 8460p Notebook PC	HP EliteBook 8460w Mobile Workstation
	Supports "No Modem" option	√	√	√
Ethernet	Intel 82579LM GbE LAN 10/100/1000 network interface card (NIC) with iAMT (vPro models)	√	√	√
	Intel 82579V GbE LAN 10/100/1000 network interface card (non-vPro models)	√		
	S3/S4/S5 wake on LAN	√	√	√
	NIC power down technology	√	√	√
	Ethernet cable not included	√	√	√
Wireless	Integrated WLAN options by way of wireless module:			
	Two WLAN antennas built into display assembly	√		
	Three WLAN antennas built into display assembly		√	√
	Supports "no WLAN" option	√	√	√
	Supports the following WLAN formats:	√	√	√
	<ul style="list-style-type: none"> • Broadcom 802.11 b/g/n, 1×1 • Broadcom 802.11 a/b/g/n, 2×2 			
	<ul style="list-style-type: none"> • Broadcom 4322, 802.11a/b/g/n, 2×2 	√		
	<ul style="list-style-type: none"> • Intel Centrino Wireless-N 1000, 1×2 b/g/n 	√		
	<ul style="list-style-type: none"> • Atheros 802.11 a/g/n 3×3 		√	√
	<ul style="list-style-type: none"> • Intel Centrino Advanced N 6205, 2×2 a/b/g/n 		√	√
	<ul style="list-style-type: none"> • Intel Centrino Ultimate-N 6300, 3×3 a/b/g/n 		√	√
	Integrated WWAN options by way of wireless module:			
	Two WWAN antennas built into display assembly (world-wide 5 band, in WWAN panels only)	√	√	√
	Subscriber identity module (SIM) security (customer-accessible in battery bay)	√	√	√
	Supports "no WWAN" option	√	√	√

Category	Description	HP ProBook 6460b Notebook PC	HP EliteBook 8460p Notebook PC	HP EliteBook 8460w Mobile Workstation
	Supports the following WWAN modules:	√	√	√
	<ul style="list-style-type: none"> • Qualcomm Gobi 3000 HSPA/CDMA with GPS • Ericsson 5521 HSPA+ • HP It2510 EV-DO/LTE Mobile Broadband Module 			
Integrated personal area network (PAN) options by way of Bluetooth® module:				
	Supports "no PAN" option	√	√	√
	Integrated Bluetooth 2.1	√	√	√
External media card	One ExpressCard/54 slot	√	√	√
	Integrated Media Card Reader with SD, MMC support	√	√	√
Ports	Audio-in (stereo microphone)	√	√	√
	Audio-out (stereo headphone)	√	√	√
	DisplayPort 1.1a	√	√	√
	RJ-11 (modem)	√	√	√
	RJ-45 (Ethernet, includes link and activity lights)	√	√	√
	USB 3.0		√	√
	USB 2.0 (3)	√	√	√
	USB 2.0 charging port		√	√
	eSATA/USB 2.0 combo port	√	√	√
	VGA (Dsub 15-pin) supporting 1920 × 1200 external resolution at 75-GHz (hot plug with auto-detect)	√	√	√
	1394a	√	√	√
	3-pin AC power	√	√	√
	Secondary battery connector	√	√	√
	Docking connector	√	√	√
Docking	HP Docking Station	√	√	√
	HP Advanced Docking Station	√	√	√
Keyboard/pointing devices	Keyboard with DuraKeys		√	√
	Dual point	√	√	√
	Spill-resistant design	√	√	√
	Full chiclet keyboard	√	√	√


Category	Description	HP ProBook 6460b Notebook PC	HP EliteBook 8460p Notebook PC	HP EliteBook 8460w Mobile Workstation
	Touchpad includes: on/off button, supports 2-way scroll with legend, taps enabled by default, 2-finger scrolling and zoom enabled by default	√	√	√
Power requirements	Smart AC adapter with localized cable plug support (3-wire plug with ground pin, supports 3-pin DC connector): <ul style="list-style-type: none"> 90-W 65-W 	√	√	√
	9-cell, 3.0-Ah (100-Wh) Li-ion battery	√	√	√
	6-cell, 2.8-Ah (62-Wh) Li-ion battery	√	√	√
	6-cell, 2.55-Ah (55-Wh) Li-ion battery	√		
	3-cell, 2.8-Ah (31-Wh) Li-ion battery	√	√	√
	Supports 9-cell, 73-Wh HP Ultra-Capacity Extended Life Battery	√	√	√
	Supports 9-cell, 100-Wh HP Extended Life Battery	√	√	√
	Supports 6-cell, 55-Wh HP Long Life Li-ion battery	√	√	√
	HP Fast Charge Technology	√	√	√
Security	Integrated fingerprint reader	√	√	√
	Integrated smart card reader	√	√	√
	Security cable slot	√	√	√
	Trusted platform module (TPM) V.1.2	√	√	√
	Full volume encryption	√	√	√
	Preboot authentication (password, smart card)	√	√	√
Operating system	Preinstalled:			
	Windows 7 Professional 32 with Microsoft® Basics	√	√	√
	Windows 7 Professional with Microsoft Basics	√	√	√
	Windows 7 Home Premium 64 with Microsoft Basics	√	√	√
	Windows 7 Home Premium 32 with Microsoft Basics	√	√	√
	Windows Vista Home Basic 32 with Microsoft Basics	√	√	√
	Novell™: SuSE Linux™ – SLED 11	√		

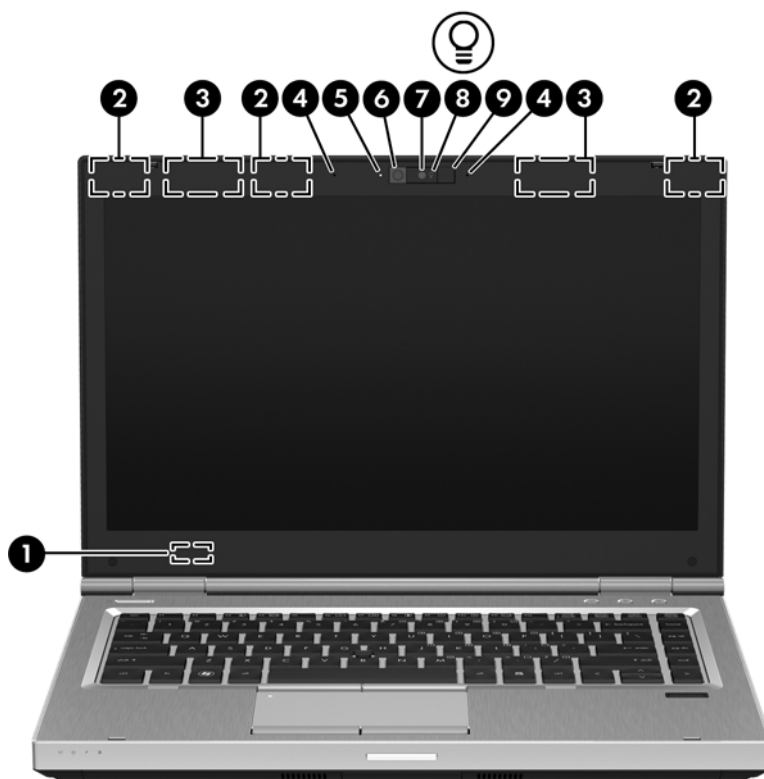
Category	Description	HP ProBook 6460b Notebook PC	HP EliteBook 8460p Notebook PC	HP EliteBook 8460w Mobile Workstation
	FreeDOS	√	√	√
	Preinstalled with Microsoft Office:			
	Windows 7 Professional 32 with Microsoft Office 2010 Starter	√	√	√
	Windows 7 Professional 32 with Microsoft Office 2010 Personal	√	√	√
	Windows 7 Professional 32 with Microsoft Office 2010 Home & Business	√	√	√
	Windows 7 Professional 32 with Microsoft Office 2010 Professional	√	√	√
	Windows 7 Professional 64 with Microsoft Office 2010 Starter	√	√	√
	Windows 7 Professional 64 with Microsoft Office 2010 Personal	√	√	√
	Windows 7 Professional 64 with Microsoft Office 2010 Home & Business	√	√	√
	Windows 7 Professional 64 with Microsoft Office 2010 Professional	√	√	√
	Windows 7 Home Premium 32 with Microsoft Office 2010 Starter	√	√	√
	Windows 7 Home Premium 32 with Microsoft Office 2010 Personal	√	√	√
	Windows 7 Home Premium 32 with Microsoft Office 2010 Home & Business	√	√	√
	Windows 7 Home Premium 32 with Microsoft Office 2010 Professional	√	√	√
	Windows 7 Home Premium 64 with Microsoft Office 2010 Starter	√	√	√
	Windows 7 Premium 64 with Microsoft Office 2010 Professional	√	√	√
	Windows 7 Starter with Microsoft Office 2010 Starter	√	√	√
	Windows 7 Home Basic 32 with Microsoft Office 2010 Starter	√	√	√
	Windows Vista Basic 32 with Microsoft Office 2010 Starter	√	√	√
	Windows Vista Basic 32 with Microsoft Office 2010 Personal	√	√	√
	Windows Vista Basic 32 with Microsoft Office 2010 Home & Business	√	√	√

Category	Description	HP ProBook 6460b Notebook PC	HP EliteBook 8460p Notebook PC	HP EliteBook 8460w Mobile Workstation
	Windows Vista Basic 32 with Microsoft Office 2010 Professional	√	√	√
	Restore Media:			
	Windows 7 Professional 64	√	√	√
	Windows 7 Professional 32	√	√	√
	Windows 7 Home Basic 32	√	√	√
	Windows 7 Home Premium 64	√	√	√
	Windows 7 Home Premium 32	√	√	√
	Windows 7 Starter 32	√		
	DRDVD Windows 7	√	√	√
	DRDVD Windows 7 with WinDVD	√	√	√
	Web-only support:			
	Windows XP Professional 64		√	√
	Windows XP Professional 32	√		
	Windows Vista Enterprise 32/64	√	√	√
	Windows Vista Business 32/64	√	√	√
	Windows 7 Enterprise 32/64	√	√	√
	Windows 7 Ultimate 32/64	√	√	√
	Certified:			
	Microsoft WHQL	√	√	√
	Novell: SuSE Linux	√	√	√
Serviceability	End-user replaceable parts:			
	AC adapter	√	√	√
	Battery (system)	√	√	√
	Hard drive	√	√	√
	Memory module	√	√	√
	Optical drive	√	√	√
	Mini-PCI components (WLAN, WWAN, SIM)	√	√	√
	Modem	√	√	√
	Keyboard	√	√	√

2 External component identification

Display

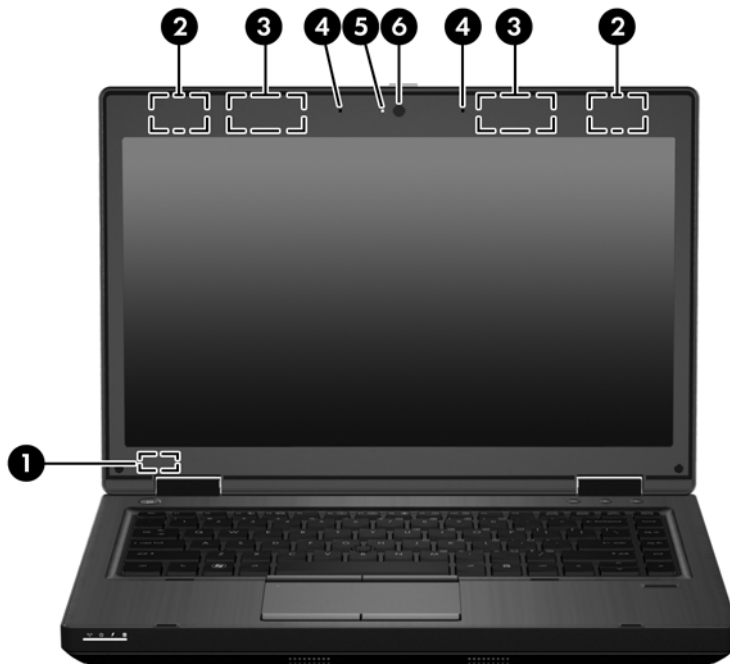
 **NOTE:** Refer to the illustration that most closely matches your computer.



Component	Description
(1) Internal display switch	Turns off the display or initiates Sleep if the display is closed while the power is on. NOTE: The display switch is not visible from the outside of the computer.
(2) WLAN antennas (3)*	Send and receive wireless signals to communicate with wireless local area networks (WLAN).
(3) WWAN antennas (2)*	Send and receive wireless signals to communicate with wireless wide-area networks (WWAN).
(4) Internal microphones (2)	Record sound.

Component	Description
(5) Webcam light (select models only)	On: The webcam is in use.
(6) Webcam (select models only)	Records video and captures still photographs. To use the webcam, select Start > All Programs > HP > HP Webcam .
(7) Ambient light sensor	When activated, the sensor automatically adjusts the display brightness based on the lighting conditions in your environment.
(8) Keyboard light	On: When the keyboard light is activated.
(9) Keyboard light button	Used to activate the keyboard light.

*The antennas are not visible from the outside of the computer. For optimal transmission, keep the areas immediately around the antennas free from obstructions. To see wireless regulatory notices, refer to the section of the *Regulatory, Safety and Environmental Notices* that applies to your country or region. These notices are located in Help and Support.



Component	Description
(1) Internal display switch	Turns off the display or initiates Sleep if the display is closed while the power is on. NOTE: The display switch is not visible from the outside of the computer.
(2) WLAN antennas (2)*	Send and receive wireless signals to communicate with wireless local area networks (WLAN).
(3) WWAN antennas (2)* (select models only)	Send and receive wireless signals to communicate with wireless wide-area networks (WWAN).
(4) Internal microphone(s) (1 or 2 depending on model)	Record sound.
(5) Webcam light (select models only)	On: The webcam is in use.

Component	Description
(6) Webcam (select models only)	Records video and captures still photographs. To use the webcam, select Start > All Programs > HP > HP Webcam .

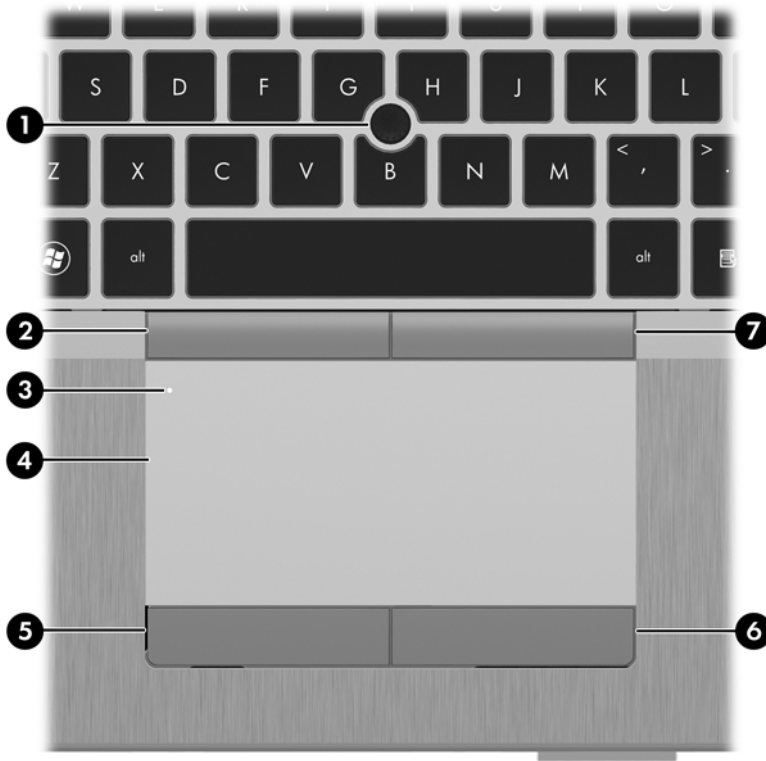
*The antennas are not visible from the outside of the computer. For optimal transmission, keep the areas immediately around the antennas free from obstructions. To see wireless regulatory notices, refer to the section of the *Regulatory, Safety and Environmental Notices* that applies to your country or region. These notices are located in Help and Support.

Top

TouchPad




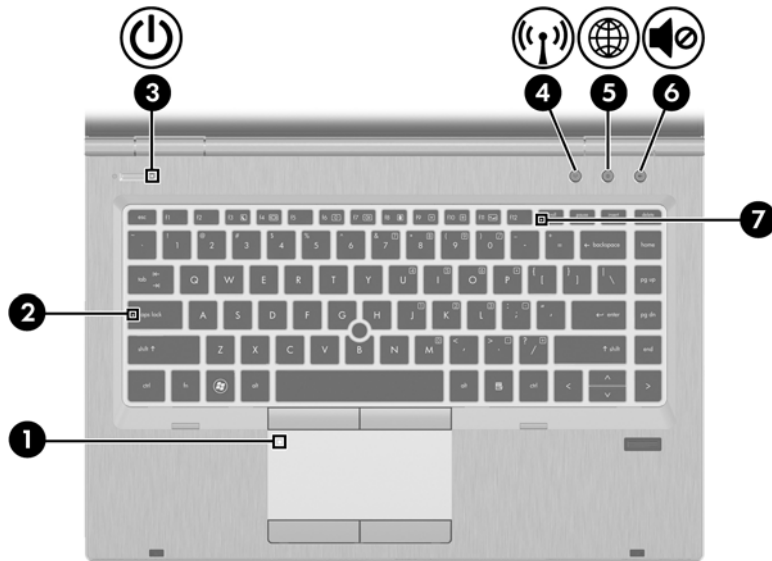
NOTE: Your computer may look slightly different from the illustration in this section.




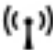


Component	Description
(1) Pointing stick (select models only)	Moves the pointer and selects or activates items on the screen.
(2) Left pointing stick button	Can be used with the pointing stick and functions like the left button on an external mouse.
(3) TouchPad on/off button	Turns the TouchPad on and off.
(4) TouchPad	Moves the pointer and selects or activates items on the screen. NOTE: Vertical scrolling is supported on the right edge of the TouchPad.
(5) Left TouchPad button	Functions like the left button on an external mouse.
(6) Right TouchPad button	Functions like the right button on an external mouse.
(7) Right pointing stick button	Can be used with the pointing stick and functions like the right button on an external mouse.

Lights


 **NOTE:** Refer to the illustration that most closely matches your computer.



Component	Description
(1) TouchPad on/off light	<ul style="list-style-type: none"> Amber: The TouchPad is off. Off: The TouchPad is on.
(2) Caps lock light	On: Caps lock is on.
(3)  Power light	<ul style="list-style-type: none"> On: The computer is on. Blinking: The computer is in the Sleep state. Off: The computer is off or in Hibernation.


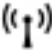


Component	Description
(4)  Wireless light	<ul style="list-style-type: none"> • White: An integrated wireless device, such as a wireless local area network (WLAN) device and/or a Bluetooth® device, is on. • Amber: All wireless devices are off.
(5)  QuickWeb light	<ul style="list-style-type: none"> • On: The computer is on. • Off: The computer is off or in Hibernation. <p>NOTE: For more information, refer to “HP QuickWeb” in this guide and to the HP Quickweb software Help</p>
(6)  Mute light	<ul style="list-style-type: none"> • Amber: Computer sound is off. • Off: Computer sound is on.
(7) Num lock light	On: Num lock is on.

Buttons and fingerprint reader


 **NOTE:** Refer to the illustration that most closely matches your computer.

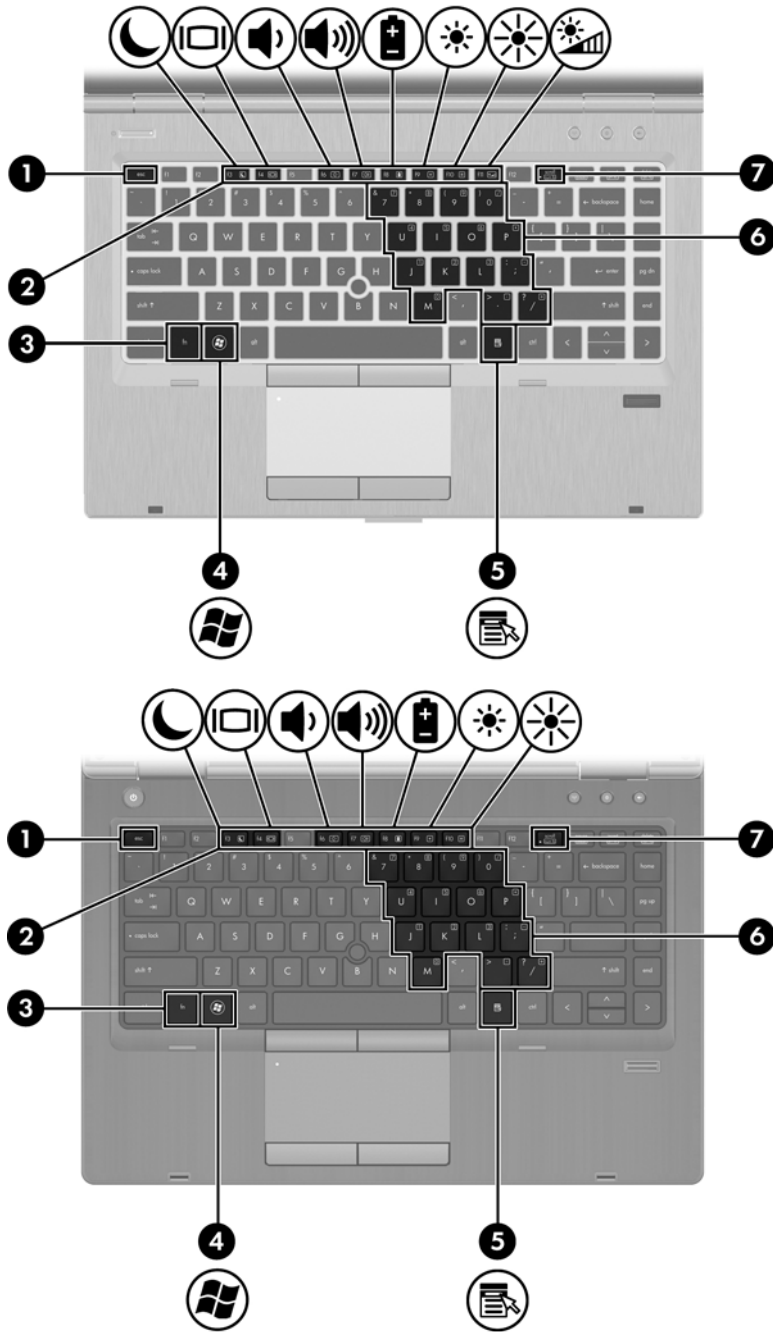


Component	Description
(1)	TouchPad on/off button



Component	Description
(2)  Power button	<ul style="list-style-type: none"> • When the computer is off, press the button to turn on the computer. • When the computer is on, press the button briefly to initiate Sleep. • When the computer is in the Sleep state, press the button briefly to exit Sleep. • When the computer is in Hibernation, press the button briefly to exit Hibernation. <p>If the computer has stopped responding and Windows® shutdown procedures are ineffective, press and hold the power button for at least 5 seconds to turn off the computer.</p> <p>To learn more about your power settings:</p> <ul style="list-style-type: none"> • Windows 7—Select Start > Control Panel > System and Security > Power Options. • Windows Vista—Select Start > Control Panel > System and Maintenance > Power Options • Or refer to the <i>HP Notebook Reference Guide</i>.
(3)  Wireless button	Turns the wireless feature on or off but does not establish a wireless connection.
(4)  QuickWeb button	<ul style="list-style-type: none"> • When the computer is off or in Hibernation, press the button to open HP QuickWeb. • When the computer is in HP QuickWeb, press the button to open the default Web browser. <p>NOTE: For more information, refer to “HP QuickWeb” in this guide and to the HP QuickWeb software Help. If your computer does not have HP QuickWeb software, the button does not perform any action or function.</p>
(5)  Volume mute button	Mutes and restores speaker sound.
(6) Fingerprint reader (select models only)	Allows a fingerprint logon to Windows, instead of a password logon.

Keys


 **NOTE:** Refer to the illustration that most closely matches your computer.

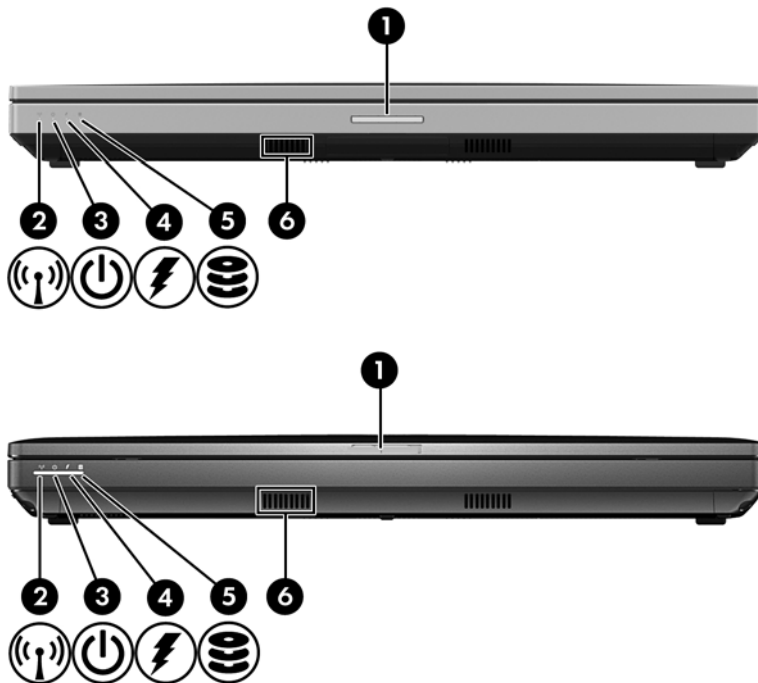


Component	Description
(1) <code>esc</code> key	Displays system information when pressed in combination with the <code>fn</code> key.
(2) Function keys	Execute frequently used system functions when pressed in combination with the <code>fn</code> key.

Component	Description
(3) fn key	Executes frequently used system functions when pressed in combination with a function key, the num lk key, or the esc key.
(4)  Start key	Displays the Start menu.
(5)  Menu key	Displays the active program's shortcut menu (same as right-click menu).
(6) Embedded numeric keypad keys	Can be used like the keys on an external numeric keypad when pressed in combination with the fn and num lk keys.
(7) num lk key	Enables/disables the embedded numeric keypad when pressed in combination with the fn key.

Front

 **NOTE:** Refer to the illustration that most closely matches your computer.




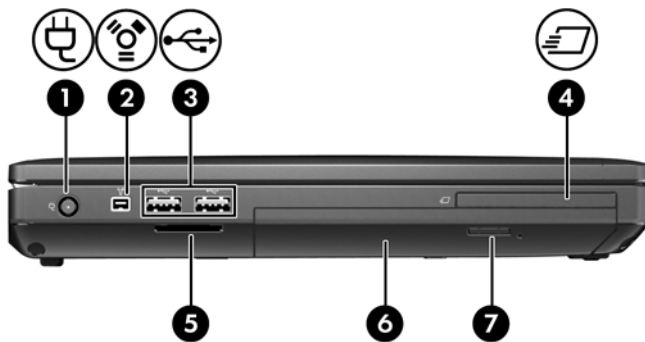
Component	Description
(1) Display release latch	Opens the computer.
(2) Wireless light	<ul style="list-style-type: none"> White: An integrated wireless device, such as a wireless local area network (WLAN) device and/or a Bluetooth® device, is on. Amber: All wireless devices are off.
(3) Power light	<ul style="list-style-type: none"> On: The computer is on. Blinking: The computer is in the Sleep state. Off: The computer is off or in Hibernation.
(4) Battery light	<ul style="list-style-type: none"> Amber: The computer is connected to external power and the battery is charged from 0 – 90%. White: The computer is connected to external power and the battery is charged from 90 – 99%. Blinking amber: A battery that is the only available power source has reached a low battery level. When the battery reaches a critical battery level, the battery light begins blinking rapidly. Off: The battery is fully charged.






Component	Description
(5) Hard drive light	<ul style="list-style-type: none"> Blinking turquoise: The hard drive or optical drive is being accessed. Amber: HP 3D DriveGuard has temporarily parked the hard drive.
(6) Speaker	Produces SRS Premium sound (select models only).

NOTE: To use the SRS Premium sound software, select **Start > All Programs > SRS Premium Sound**.


Left

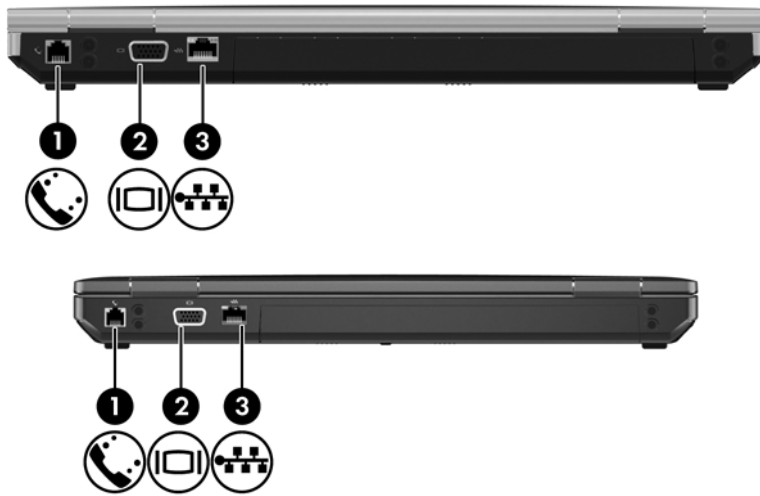
 **NOTE:** Refer to the illustration that most closely matches your computer.






Component	Description
(1)  Power connector	Connects an AC adapter.
(2)  1394 port	Connects an optional IEEE 1394 or 1394a device, such as a camcorder.
(3)  USB or SuperSpeed USB ports (2)	Connect optional USB devices.
– or –	
	
(4)  ExpressCard slot (select models only)	Supports optional ExpressCards.
(5) Media Card Reader	Supports the following digital card formats: <ul style="list-style-type: none"> Secure Digital (SD) Card MultiMediaCard (MMC)
(6) Optical drive	Reads and writes (select models only) to an optical disc.
(7) Optical drive eject button	Ejects the optical drive.


Rear

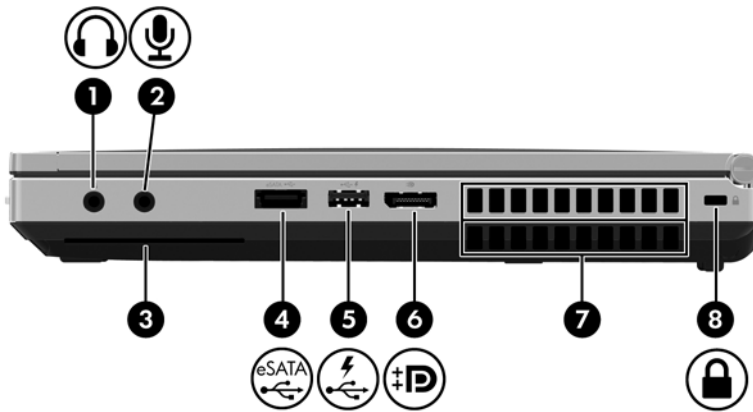
 **NOTE:** Refer to the illustration that most closely matches your computer.









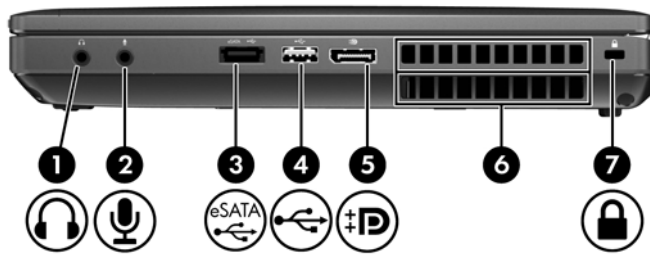
Component	Description
(1)  RJ-11 (modem) jack	Connects a modem cable.
(2)  External monitor port	Connects an external VGA monitor or projector.
(3)  RJ-45 (network) jack	Connects a network cable.







Right

 **NOTE:** Refer to the illustration that most closely matches your computer.

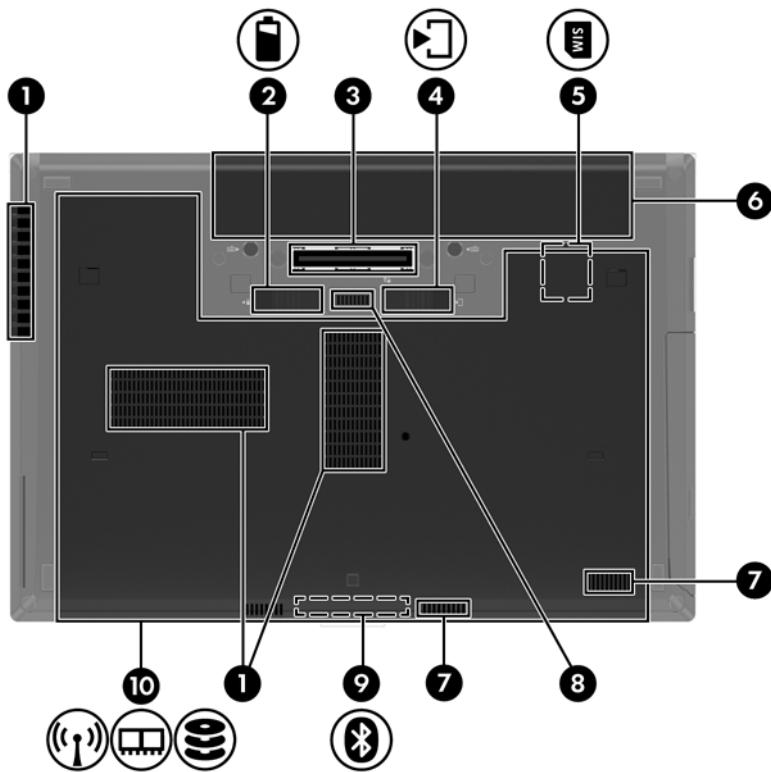



Component	Description
(1)  Audio-out (headphone) jack	<p>Produces sound when connected to optional powered stereo speakers, headphones, ear buds, a headset, or television audio.</p> <p>NOTE: When a device is connected to the headphone jack, the computer speakers are disabled.</p>
(2)  Audio-in (microphone) jack	<p>Connects an optional computer headset microphone, stereo array microphone, or monaural microphone.</p>
(3) Smart Card reader slot	<p>Supports optional Smart Cards.</p>
(4)  eSATA/USB port	<p>Connects a high-performance eSATA component, such as an eSATA external hard drive, or connects an optional USB device.</p>
(5)  USB powered/charging port	<p>Connects an optional USB device.</p>
(6)  DisplayPort	<p>Connects an optional digital display device, such as a high-performance monitor or projector.</p>
(7) Vents (2)	<p>Enable airflow to cool internal components.</p> <p>NOTE: The computer fan starts up automatically to cool internal components and prevent overheating. It is normal for the internal fan to cycle on and off during routine operation.</p>
(8)  Security cable slot	<p>Attaches an optional security cable to the computer.</p> <p>NOTE: The security cable is designed to act as a deterrent, but it may not prevent the computer from being mishandled or stolen.</p>




Component	Description
(1)  Audio-out (headphone) jack	Produces sound when connected to optional powered stereo speakers, headphones, ear buds, a headset, or television audio. NOTE: When a device is connected to the headphone jack, the computer speakers are disabled.
(2)  Audio-in (microphone) jack	Connects an optional computer headset microphone, stereo array microphone, or monaural microphone.
(3)  eSATA/USB port	Connects a high-performance eSATA component, such as an eSATA external hard drive, or connects an optional USB device.
(4)  USB port	Connects an optional USB device.
(5)  DisplayPort	Connects an optional digital display device, such as a high-performance monitor or projector.
(6) Vents (2)	Enable airflow to cool internal components. NOTE: The computer fan starts up automatically to cool internal components and prevent overheating. It is normal for the internal fan to cycle on and off during routine operation.
(7)  Security cable slot	Attaches an optional security cable to the computer. NOTE: The security cable is designed to act as a deterrent, but it may not prevent the computer from being mishandled or stolen.

Bottom



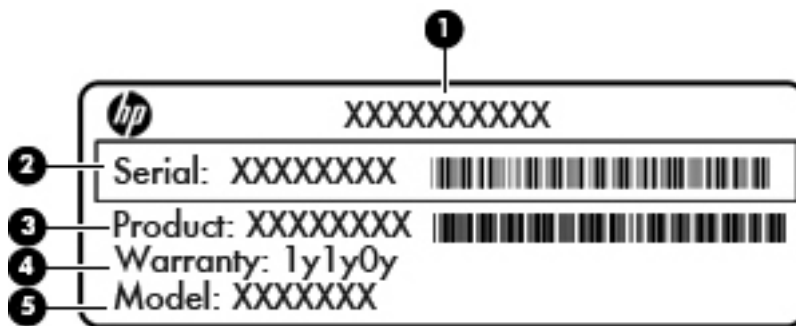
Component	Description
(1)	Vents (3) Enable airflow to cool internal components. NOTE: The computer fan starts up automatically to cool internal components and prevent overheating. It is normal for the internal fan to cycle on and off during routine operation.
(2)	 Battery release latch Releases the battery from the battery bay.
(3)	Docking connector Connects an optional docking device.
(4)	Bottom cover release latch Releases or locks the bottom cover.
(5)	SIM slot Contains a wireless subscriber identity module (SIM). The SIM slot is located inside the battery bay.
(6)	Battery bay Holds the battery.
(7)	Speakers Produces SRS Premium sound (select models only). NOTE: To use the SRS Premium sound software, select Start > All Programs > SRS Premium Sound .
(8)	Accessory battery connector Connects an optional accessory battery.

Component		Description
(9)	Bluetooth compartment	Contains a Bluetooth device.
(10)	 Wireless and memory module compartments and hard drive bay	Hold an HP Mobile Broadband Module, the memory modules, and the hard drive. NOTE: To prevent an unresponsive system, replace the wireless module only with a wireless module authorized for use in the computer by the governmental agency that regulates wireless devices in your country or region. If you replace the module and then receive a warning message, remove the module to restore computer functionality, and then contact technical support through Help and Support.

3 Illustrated parts catalog

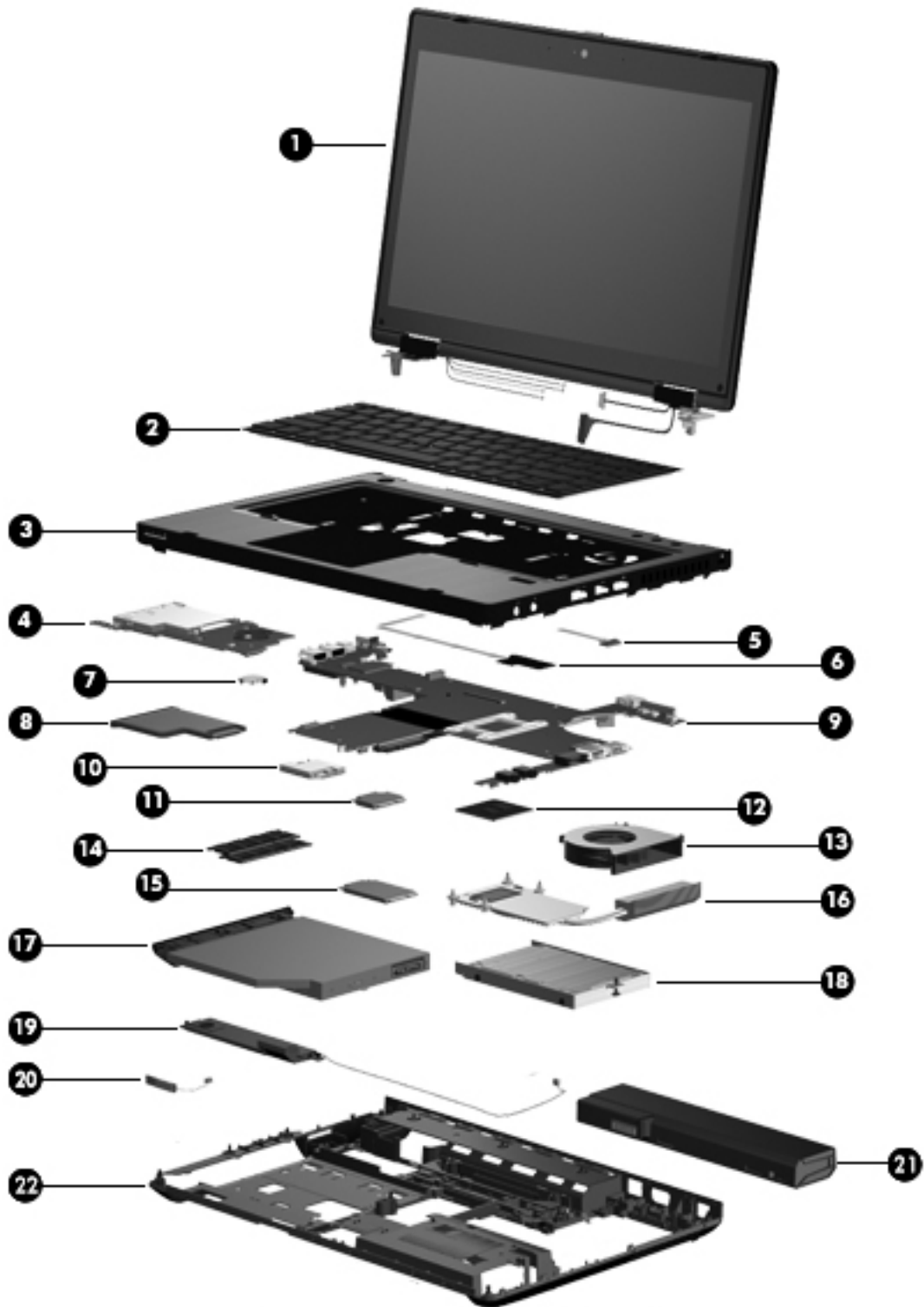
Service tag

When ordering parts or requesting information, provide the computer serial number and model description provided on the service tag.



- Product name **(1)**. This is the product name affixed to the front of the computer.
- Serial number (s/n) **(2)**. This is an alphanumeric identifier that is unique to each product.
- Part number/Product number (p/n) **(3)**. This number provides specific information about the product's hardware components. The part number helps a service technician to determine what components and parts are needed.
- Warranty period **(4)**. This number describes the duration (in years) of the warranty period for the computer.
- Model description **(5)**. This is the alphanumeric identifier used to locate documents, drivers, and support for the computer.

Computer major components



Item	Description	Spare part number
(1)	Display panel	not spared
	NOTE: For a list of display panel spare parts, see Display components on page 36 .	
(2)	Keyboard (includes cable)	
	NOTE: For a detailed list of available keyboards, see Sequential part number listing on page 43 .	
	For use in model 6460b without a pointing stick	641834-xxx
	For use in model 6460b with a pointing stick	641835-xxx
	For use in model 8460p	642760-xxx
	For use in model 8460w	642761-xxx
(3)	Top cover (includes TouchPad button and bracket)	
	For use in model 6460b:	
	• Includes a 2-button touchpad and fingerprint reader	642741-001
	• Includes a 2-button touchpad without fingerprint reader	642742-001
	• Includes a 4-button touchpad and fingerprint reader	642743-001
	• Includes a 4-button touchpad without fingerprint reader	642746-001
	For use in model 8460p:	
	• Includes 4-button touchpad and fingerprint reader	642744-001
	• Includes 4-button touchpad without fingerprint reader	642747-001
	For use in model 8460w:	
	• Includes 4-button touchpad and fingerprint reader	642745-001
(4)	Smart card reader	
	For use in model 8460p/w	642769-001
	For use in model 6460b	654823-001
(5)	Lid switch board (includes cable)	642765-001
(6)	Fingerprint reader board (includes cable)	642764-001
(7)	RTC battery	651948-001
(8)	ExpressCard assembly	642763-001
(9)	System board (includes replacement thermal material and VGA support bracket)	
	For use in computers with UMA graphics in all countries and regions except Russia and the People's Republic of China:	
	• For use in computers with WLAN, no WWAN, no vPro (4M)	642755-001
	• For use in computers with WLAN, with WWAN, no vPro (4M)	642756-001
	• For use in computers with vPro (8M), WLAN, and with WWAN	642758-001
	• For use in computers with vPro (8M), WLAN, WWAN, and USB 3.0 ports	642759-001
	For use in computers with discrete graphics in all countries and regions except Russia and the People's Republic of China:	

Item	Description	Spare part number
	<ul style="list-style-type: none"> For use in computers with WLAN, with WWAN, no vPro (4M) 	642751-001
	<ul style="list-style-type: none"> For use in computers with vPro (8M), WLAN, with WWAN, and 512-MB graphics 	642753-001
	<ul style="list-style-type: none"> For use in computers with vPro (8M), WLAN, with WWAN, and 1-GB graphics 	642754-001
	<ul style="list-style-type: none"> For use in computers with vPro (8M), WLAN, with WWAN, 1-GB graphics, and USB 3.0 ports 	670123-001
	For use in computers with UMA graphics in only Russia and the People's Republic of China:	
	<ul style="list-style-type: none"> For use in computers with WLAN, no WWAN, no vPro (4M) 	646320-002
	<ul style="list-style-type: none"> For use in computers with WLAN, with WWAN, no vPro (4M) 	646321-002
	<ul style="list-style-type: none"> For use in computers with vPro (8M), WLAN, and WWAN 	646323-002
	<ul style="list-style-type: none"> For use in computers with vPro (8M), WLAN, with WWAN, and USB 3.0 ports 	646324-002
	For use in computers with discrete graphics in only Russia and the People's Republic of China:	
	<ul style="list-style-type: none"> For use in computers with WLAN, with WWAN, no vPro (4M) 	646316-002
	<ul style="list-style-type: none"> For use in computers with vPro (8M), WLAN, with WWAN, and 512-MB graphics 	646318-002
	<ul style="list-style-type: none"> For use in computers with vPro (8M), WLAN, with WWAN, and 1-GB graphics 	646319-002
	<ul style="list-style-type: none"> For use in computers with vPro (8M), WLAN, with WWAN, 1-GB graphics, and USB 3.0 ports 	670124-001
(10)	Modem module	628824-001
	<p>NOTE: The modem module spare part kit does not include a modem module cable. The modem module cable is included in the Cable Kit, spare part number 641830-001. See Cable Kit on page 39 for more Cable Kit spare part number information.</p>	
(11)	WLAN module	
	Intel Wi-Fi Link 6300, 802.11a/b/g/n for use in Andorra, Antigua and Barbuda, Argentina, Aruba, Australia, Austria, Azerbaijan, Bahamas, Bahrain, Barbados, Belgium, Bermuda, Bolivia, Bosnia and Herzegovina, Brazil, Brunei, Bulgaria, Canada, Cayman Islands, Chile, the People's Republic of China, Colombia, Costa Rica, Croatia, Cyprus, Czech Republic, Denmark, Dominican Republic, Ecuador, Egypt, El Salvador, Estonia, Finland, France, French Guiana, Georgia, Germany, Ghana, Greece, Guadeloupe, Guam, Guatemala, Haiti, Honduras, Hong Kong, Hungary, Iceland, India, Indonesia, Ireland, Israel, Italy, Ivory Coast, Jamaica, Japan, Jordan, Kenya, South Korea, Kuwait, Kyrgyzstan, Latvia, Lebanon, Martinique, US Virgin Islands, Puerto Rico, Nether Antilles, Liechtenstein, Lithuania, Luxembourg, Malawi, Malaysia, Malta, Mauritius, Mexico, Monaco, Montenegro, Morocco, the Netherlands, New Zealand, Nicaragua, Nigeria, Norway, Oman, Pakistan, Panama, Paraguay, Peru, Philippines, Poland, Portugal, Qatar, Romania, San Marino, Saudi Arabia, Senegal, Singapore, Slovakia, Slovenia, South Africa, Spain, Sri Lanka, Sweden, Switzerland, Taiwan, Tanzania, Thailand, Trinidad and Tobago, Turkey, the United Arab Emirates, the United Kingdom, the United States, Uruguay, Venezuela, and Vietnam	572511-001
	Broadcom 43224AGN 802.11a/b/g/draft-n WiFi Adapter for use in Antigua and Barbuda, Aruba, the Bahamas, Barbados, Belize, Canada, Guam, Guinea, Haiti, Jamaica, the Nether Antilles, Puerto Rico, St. Kitts and Nevis, St. Lucia, St. Vincent and the Grenadines, Suriname, the US Virgin Islands, and the United States	582564-001

Item	Description	Spare part number
	Broadcom 43224AGN 802.11a/b/g/draft-n WiFi Adapter for use in Albania, Algeria, Andorra, Angola, Argentina, Armenia, Australia, Austria, Azerbaijan, Bahrain, Belarus, Belgium, Benin, Bermuda, Bhutan, Bolivia, Bosnia and Herzegovina, Botswana, Brazil, the British Virgin Islands, Brunei, Bulgaria, Burkina Faso, Burundi, Cambodia, Cameroon, Cape Verde, the Cayman Islands, Central African Republic, Chad, Chile, People's Republic of China, Colombia, Comoros, Congo, Costa Rica, Croatia, Cyprus, the Czech Republic, Denmark, Djibouti, Dominica, the Dominican Republic, East Timor, Ecuador, Egypt, El Salvador, Equatorial Guinea, Eritrea, Estonia, Ethiopia, Fiji, Finland, France, French Guiana, Gabon, Gambia, Georgia, Germany, Ghana, Gibraltar, Greece, Grenada, Guadeloupe, Guatemala, Guinea, Guinea-Bissau, Honduras, Hong Kong, Hungary, Iceland, India, Ireland, Italy, Ivory Coast, Japan, Jordan, Kazakhstan, Kenya, Kiribati, Kuwait, Kyrgyzstan, Laos, Latvia, Lebanon, Lesotho, Liberia, Liechtenstein, Lithuania, Luxembourg, Macedonia, Madagascar, Malawi, Malaysia, Maldives, Mali, Malta, Marshall Islands, Martinique, Mauritania, Mauritius, Mexico, Micronesia, Monaco, Mongolia, Montenegro, Morocco, Mozambique, Namibia, Nauru, Nepal, Netherlands, New Zealand, Nicaragua, Niger, Nigeria, Norway, Oman, Palau, Panama, Papua New Guinea, Paraguay, Peru, Philippines, Poland, Portugal, Qatar, Republic of Moldova, Romania, Rwanda, Samoa, San Marino, Sao Tome and Principe, Saudi Arabia, Senegal, Serbia and Montenegro, Seychelles, Sierra Leone, Singapore, Slovakia, Slovenia, Solomon Islands, Somalia, South Africa, South Korea, Spain, Sri Lanka, Swaziland, Sweden, Switzerland, Taiwan, Tajikistan, Tanzania, Thailand, Togo, Tonga, Trinidad and Tobago, Tunisia, Turkey, Turkmenistan, Tuvalu, Uganda, United Arab Emirates, United Kingdom, Uruguay, Uzbekistan, Vanuatu, Venezuela, Vietnam, Yemen, Zaire, Zambia, and Zimbabwe	582564-002
	Broadcom 4313AGN 802.11a/b/g/draft-n WiFi Adapter for use in Afghanistan, Albania, Algeria, Andorra, Angola, Antigua and Barbuda, Argentina, Armenia, Aruba, Australia, Austria, Azerbaijan, Bahamas, Bahrain, Bangladesh, Barbados, Belarus, Belgium, Belize, Benin, Bermuda, Bhutan, Bolivia, Bosnia and Herzegovina, Botswana, Brazil, the British Virgin Islands, Brunei, Bulgaria, Burkina Faso, Burundi, Cambodia, Cameroon, Canada, Cape Verde, the Cayman Islands, Central African Republic, Chad, People's Republic of China, Colombia, Comoros, Congo, Costa Rica, Croatia, Cyprus, the Czech Republic, Denmark, Djibouti, Dominica, the Dominican Republic, East Timor, Ecuador, Egypt, El Salvador, Equatorial Guinea, Eritrea, Estonia, Ethiopia, Fiji, Finland, France, French Guiana, Gabon, Gambia, Georgia, Germany, Ghana, Gibraltar, Greece, Grenada, Guadeloupe, Guam, Guatemala, Guinea, Guinea-Bissau, Guyana, Haiti, Honduras, Hong Kong, Hungary, Iceland, India, Iraq, Ireland, Israel, Italy, Ivory Coast, Jamaica, Japan, Jordan, Kazakhstan, Kenya, Kiribati, Kuwait, Kyrgyzstan, Laos, Latvia, Lebanon, Lesotho, Liberia, Martinique, Liechtenstein, Lithuania, Luxembourg, Macedonia, Madagascar, Malawi, Malaysia, Maldives, Mali, Malta, Marshall Islands, Mauritania, Mauritius, Mexico, Micronesia, Monaco, Mongolia, Montenegro, Morocco, Mozambique, Namibia, Nauru, Nepal, the Nether Antilles, the Netherlands, New Zealand, Nicaragua, Niger, Nigeria, Norway, Oman, Pakistan, Palau, Panama, Papua New Guinea, Paraguay, Puerto Rico, Peru, Philippines, Poland, Portugal, Qatar, Republic of Moldova, Romania, Russia, Rwanda, Samoa, San Marino, Sao Tome and Principe, Saudi Arabia, Senegal, Serbia and Montenegro, Seychelles, Sierra Leone, Singapore, Slovakia, Slovenia, Solomon Islands, Somalia, South Africa, South Korea, Spain, Sri Lanka, St. Kitts and Nevis, St. Lucia, St. Vincent and the Grenadines, Suriname, Swaziland, Sweden, Switzerland, Syria, Taiwan, Tajikistan, Tanzania, Thailand, Togo, Tonga, Trinidad and Tobago, Tunisia, Turkey, Turkmenistan, Tuvalu, Uganda, Ukraine, the United Arab Emirates, the United Kingdom, Uruguay, the United States, the US Virgin Islands, Uzbekistan, Vanuatu, Venezuela, Vietnam, Yemen, Zaire, Zambia, and Zimbabwe	593836-001

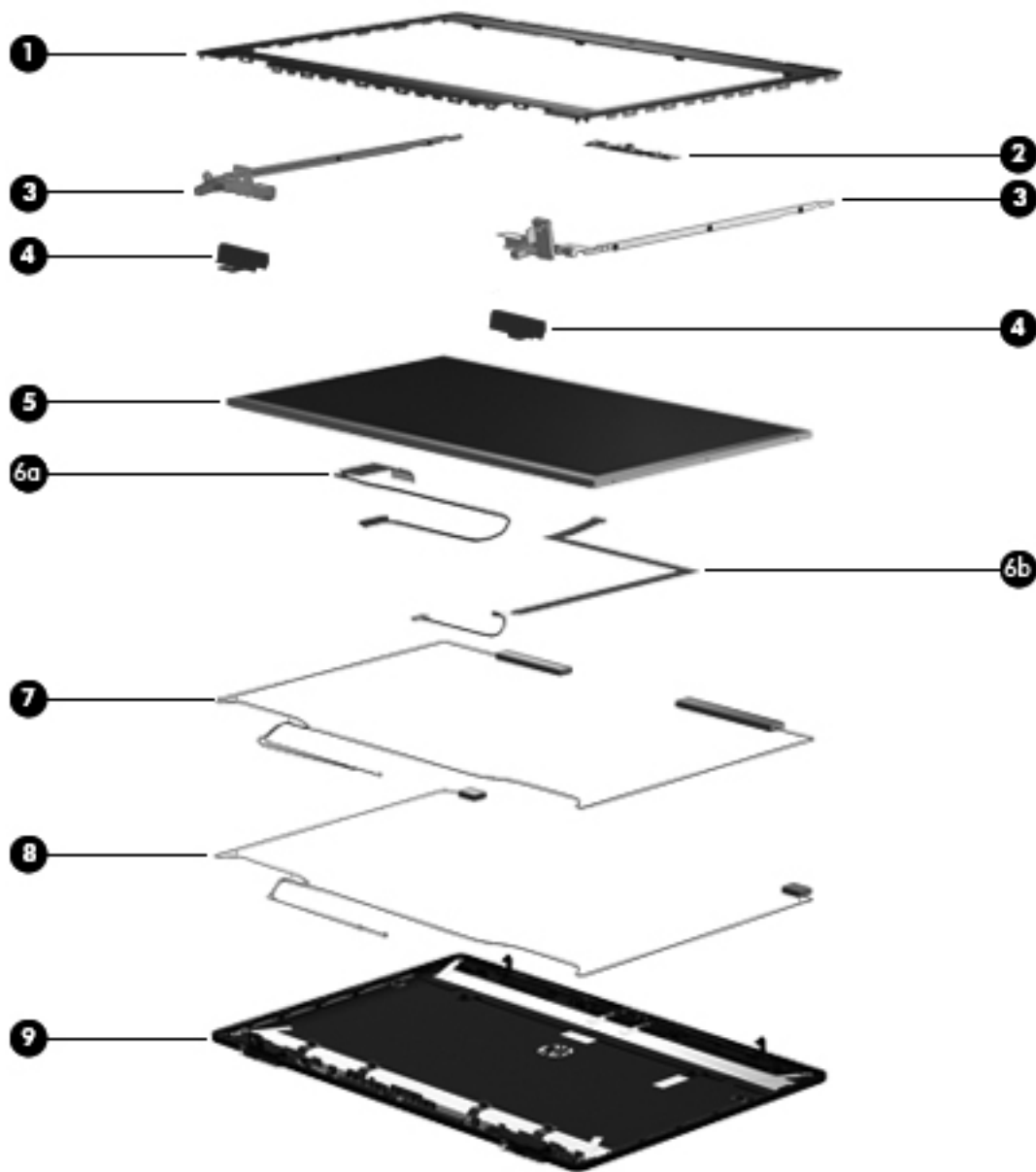
Item	Description	Spare part number
	Intel Wi-Fi Link 1000 for use in Andorra, Antigua and Barbuda, Argentina, Aruba, Australia, Austria, Azerbaijan, Bahamas, Bahrain, Barbados, Belgium, Bermuda, Bolivia, Bosnia and Herzegovina, Brazil, Brunei, Bulgaria, Canada, the Cayman Islands, Chile, People's Republic of China, Colombia, Costa Rica, Croatia, Cyprus, the Czech Republic, Denmark, the Dominican Republic, Ecuador, Egypt, El Salvador, Estonia, Finland, France, French Guiana, Georgia, Germany, Ghana, Greece, Guadeloupe, Guam, Guatemala, Haiti, Honduras, Hong Kong, Hungary, Iceland, India, Indonesia, Ireland, Israel, Italy, Ivory Coast, Jamaica, Japan, Jordan, Kenya, Kuwait, Kyrgyzstan, Latvia, Lebanon, Liechtenstein, Lithuania, Luxembourg, Malawi, Malaysia, Malta, Martinique, Mauritius, Mexico, Monaco, Montenegro, Morocco, the Nether Antilles, Netherlands, New Zealand, Nicaragua, Nigeria, Norway, Oman, Pakistan, Panama, Paraguay, Peru, Philippines, Poland, Portugal, Puerto Rico, Qatar, Romania, San Marino, Saudi Arabia, Senegal, Singapore, Slovakia, Slovenia, South Africa, South Korea, Spain, Sri Lanka, Sweden, Switzerland, Taiwan, Tanzania, Thailand, Trinidad and Tobago, Turkey, Ukraine, United Arab Emirates, United Kingdom, Uruguay, the US Virgin Islands, the United States, Venezuela, and Vietnam	593530-001
	Atheros HB112AGN 802.11a/b/g/n 3x3 WiFi Adapter for use in Afghanistan, Albania, Algeria, Andorra, Angola, Antigua and Barbuda, Argentina, Armenia, Aruba, Australia, Austria, Azerbaijan, Bahamas, Bahrain, Bangladesh, Barbados, Belarus, Belgium, Belize, Benin, Bermuda, Bhutan, Bolivia, Bosnia and Herzegovina, Botswana, Brazil, the British Virgin Islands, Brunei, Bulgaria, Burkina Faso, Burundi, Cambodia, Cameroon, Canada, Cape Verde, the Cayman Islands, Central African Republic, Chad, People's Republic of China, Colombia, Comoros, Congo, Costa Rica, Croatia, Cyprus, the Czech Republic, Denmark, Djibouti, Dominica, the Dominican Republic, East Timor, Ecuador, Egypt, El Salvador, Equatorial Guinea, Eritrea, Estonia, Ethiopia, Fiji, Finland, France, French Guiana, Gabon, Gambia, Georgia, Germany, Ghana, Gibraltar, Greece, Grenada, Guadeloupe, Guam, Guatemala, Guinea, Guinea-Bissa, Guyana, Haiti, Honduras, Hong Kong, Hungary, Iceland, India, Iraq, Ireland, Israel, Italy, Ivory Coast, Jamaica, Japan, Jordan, Kazakhstan, Kenya, Kiribati, Kuwait, Kyrgyzstan, Laos, Latvia, Lebanon, Lesotho, Liberia, Martinique, Liechtenstein, Lithuania, Luxembourg, Macedonia, Madagascar, Malawi, Malaysia, Maldives, Mali, Malta, Marshall Islands, Mauritania, Mauritius, Mexico, Micronesia, Monaco, Mongolia, Montenegro, Morocco, Mozambique, Namibia, Nauru, Nepal, the Nether Antilles, the Netherlands, New Zealand, Nicaragua, Niger, Nigeria, Norway, Oman, Pakistan, Palau, Panama, Papua New Guinea, Paraguay, Puerto Rico, Peru, Philippines, Poland, Portugal, Qatar, Republic of Moldova, Romania, Russia, Rwanda, Samoa, San Marino, Sao Tome and Principe, Saudi Arabia, Senegal, Serbia and Montenegro, Seychelles, Sierra Leone, Singapore, Slovakia, Slovenia, Solomon Islands, Somalia, South Africa, South Korea, Spain, Sri Lanka, St. Kitts and Nevis, St. Lucia, St. Vincent and the Grenadines, Suriname, Swaziland, Sweden, Switzerland, Syria, Taiwan, Tajikistan, Tanzania, Thailand, Togo, Tonga, Trinidad and Tobago, Tunisia, Turkey, Turkmenistan, Tuvalu, Uganda, Ukraine, the United Arab Emirates, the United Kingdom, Uruguay, the United States, the US Virgin Islands, Uzbekistan, Vanuatu, Venezuela, Vietnam, Yemen, Zaire, Zambia, and Zimbabwe	630435-001

Item	Description	Spare part number
	Intel Centrino Advanced-N 6205 for use in Afghanistan, Albania, Algeria, Andorra, Angola, Antigua and Barbuda, Argentina, Armenia, Australia, Austria, Azerbaijan, Bahamas, Bahrain, Bangladesh, Barbados, Belarus, Belgium, Belize, Benin, Bermuda, Bhutan, Bolivia, Bosnia and Herzegovina, Botswana, Brazil, the British Virgin Islands, Brunei, Bulgaria, Burkina Faso, Burundi, Cambodia, Cameroon, Canada, Cape Verde, the Cayman Islands, Central African Republic, Chad, People's Republic of China, Colombia, Comoros, Congo, Costa Rica, Croatia, Cyprus, the Czech Republic, Denmark, Djibouti, Dominica, the Dominican Republic, East Timor, Ecuador, Egypt, El Salvador, Equatorial Guinea, Eritrea, Estonia, Ethiopia, Fiji, Finland, France, French Guiana, Gabon, Gambia, Georgia, Germany, Ghana, Gibraltar, Greece, Grenada, Guadeloupe, Guam, Guatemala, Guinea, Guinea-Bissa, Guyana, Haiti, Honduras, Hong Kong, Hungary, Iceland, India, Iraq, Ireland, Israel, Italy, Ivory Coast, Jamaica, Japan, Jordan, Kazakhstan, Kenya, Kiribati, Kuwait, Kyrgyzstan, Laos, Latvia, Lebanon, Lesotho, Liberia, Martinique, Liechtenstein, Lithuania, Luxembourg, Macedonia, Madagascar, Malawi, Malaysia, Maldives, Mali, Malta, Marshall Islands, Mauritania, Mauritius, Mexico, Micronesia, Monaco, Mongolia, Montenegro, Morocco, Mozambique, Namibia, Nauru, Nepal, the Nether Antilles, the Netherlands, New Zealand, Nicaragua, Niger, Nigeria, Norway, Oman, Pakistan, Palau, Panama, Papua New Guinea, Paraguay, Puerto Rico, Peru, Philippines, Poland, Portugal, Qatar, Republic of Moldova, Romania, Russia, Rwanda, Samoa, San Marino, Sao Tome and Principe, Saudi Arabia, Senegal, Serbia and Montenegro, Seychelles, Sierra Leone, Singapore, Slovakia, Slovenia, Solomon Islands, Somalia, South Africa, South Korea, Spain, Sri Lanka, St. Kitts and Nevis, St. Lucia, St. Vincent and the Grenadines, Suriname, Swaziland, Sweden, Switzerland, Syria, Taiwan, Tajikistan, Tanzania, Thailand, Togo, Tonga, Trinidad and Tobago, Tunisia, Turkey, Turkmenistan, Tuvalu, Uganda, Ukraine, the United Arab Emirates, the United Kingdom, Uruguay, the United States, the US Virgin Islands, Uzbekistan, Vanuatu, Venezuela, Vietnam, Yemen, Zaire, Zambia, and Zimbabwe	631954-001
(12)	Processor	
	Intel Core i7 processors, Quad Core	
	2860QM, 2.5-GHz (turbo up to 3.6-GHz) processor, 8-MB L3 cache	666175-001
	2820QM, 2.3-GHz (turbo up to 3.4-GHz) processor, 8-MB L3 cache	634694-001
	2760QM, 2.4-GHz (turbo up to 3.5-GHz) processor, 6-MB L3 cache	666174-001
	2720QM, 2.2-GHz (turbo up to 3.3-GHz) processor, 6-MB L3 cache	631254-001
	2670QM, 2.2-GHz (turbo up to 3.1-GHz) processor, 6-MB L3 cache	665116-001
	2630QM, 2.0-GHz (turbo up to 2.9-GHz) processor, 6-MB L3 cache	635501-001
	Intel Core i7 processors, Dual Core	
	2640M, 2.8-GHz (turbo up to 3.5-GHz) processor, 4-MB L3 cache	666173-001
	2620M, 2.7-GHz (turbo up to 3.4-GHz) processor, 4-MB L3 cache	631252-001
	Intel Core i5 processors, Dual Core	
	2540M, 2.6-GHz (turbo up to 3.3-GHz) processor, 3-MB L3 cache	631255-001
	2520M, 2.5-GHz (turbo up to 3.2-GHz) processor, 3-MB L3 cache	631253-001
	2450M, 2.5-GHz (turbo up to 3.1-GHz) processor, 3-MB L3 cache	676359-001
	2430M, 2.4-GHz (turbo up to 3.0-GHz) processor, 3-MB L3 cache	653341-001
	2410M, 2.3-GHz (turbo up to 2.9-GHz) processor, 3-MB L3 cache	638039-001
	Intel Core i3 processors, Dual Core	
	2370M, 2.4-GHz processor, 3-MB L3 cache	677152-001
	2330M, 2.2-GHz processor, 3-MB L3 cache	653339-001

Item	Description	Spare part number
	2310M, 2.1-GHz processor, 3-MB L3 cache	638037-001
	NOTE: At temperatures above 86° F (30° C), the Intel Core i3-2310M processor may run at decreased performance.	
	Intel Celeron processor, Dual Core	
	B840, 1.9-GHz, with 2-MB L3 cache	664663-001
	B810, 1.6-GHz, with 2-MB L3 cache	646760-001
(13)	Fan	641839-001
(14)	Memory modules (PC3-10600, 1333-MHz, DDR3)	
	8-GB	634091-001
	4-GB	621569-001
	2-GB	621565-001
(15)	WWAN modules	
	HP hs2340 HSPA+ Mobile Broadband Module	632155-001
	HP un2430 EV-DO/HSPA Mobile Broadband Module	634400-001
	HP It2510 EV-DO/LTE Mobile Broadband Module	634513-001
(16)	Heat sink (includes replacement thermal material)	
	For use in models with UMA graphics	642766-001
	For use in models with discrete graphics	642767-001
(17)	Optical drive	
	For use in 6460b/8460p models:	
	• Blu-ray BD-R/RE DVD±RW SuperMulti DL Drive	643912-001
	• Blu-ray ROM DVD±RW SuperMulti DL Drive	643913-001
	• DVD±RW and CD-RW SuperMulti DL Combo Drive	643911-001
	• DVD-ROM Drive	643910-001
	For use in 8460w models:	
	• Blu-ray ROM DVD±RW SuperMulti DL Drive	659769-001
	• DVD±RW and CD-RW SuperMulti DL Combo Drive	659767-001
	• DVD-ROM Drive	659766-001
(18)	Hard drive	
	750-GB, 7200-rpm	633252-001
	640-GB, 5400-rpm	637312-001
	500-GB, 7200-rpm	634919-001
	500-GB, 7200-rpm (for use in the upgrade bay)	656424-001
	500-GB, 5400-rpm	634932-001
	320-GB, 7200-rpm, Self-Encrypting Drive (SED)	626978-001

Item	Description	Spare part number
	320-GB, 7200-rpm	627731-001
	320-GB, 5400-rpm	622643-001
	250-GB, 7200-rpm	635225-001
	256-GB solid-state drive	669684-001
	256-GB solid-state drive, Self-Encrypting Drive (SED)	684565-001
	256-GB solid-state drive, SATA III	681123-001
	160-GB solid-state drive	643916-001
	128-GB solid-state drive	643917-001
	128-GB solid-state drive, SATA III	681122-001
	120-GB solid-state drive	669685-001
(19)	Speaker assembly	641840-001
(20)	Bluetooth module (does not include Bluetooth module cable)	537921-001
	NOTE: The Bluetooth module spare part kit does not include a Bluetooth module cable. The Bluetooth module cable is included in the Cable Kit, spare part number 641830-001. See Cable Kit on page 39 for more Cable Kit spare part number information.	
(21)	Battery, Li-ion	
	9-cell (100 WHr, 3.0 Ah; CC09100-CL)	631243-001
	9-cell (100 WHr, 3.0 Ah; BB09100-CL)	634087-001
	9-cell (73 WHr, 2.8 Ah)	634089-001
	6-cell (62 WHr, 2.8 Ah)	628668-001
	6-cell (55 WHr, 2.8 Ah, long life)	628670-001
	6-cell (2.55 Ah) (1-year warranty)	659083-001
	3-cell (31 WHr, 2.8 Ah)	628664-001
(22)	Base enclosure (includes rubber feet)	
	For use with HP ProBook 6460b computer models	641838-001
	For use with HP EliteBook 8460p and 8460w computer models	642749-001
	Cable Kit (not illustrated; see Cable Kit on page 39 for more Cable Kit spare part number information)	641830-001
	USB 3.0 board (not illustrated)	642762-001

Display components

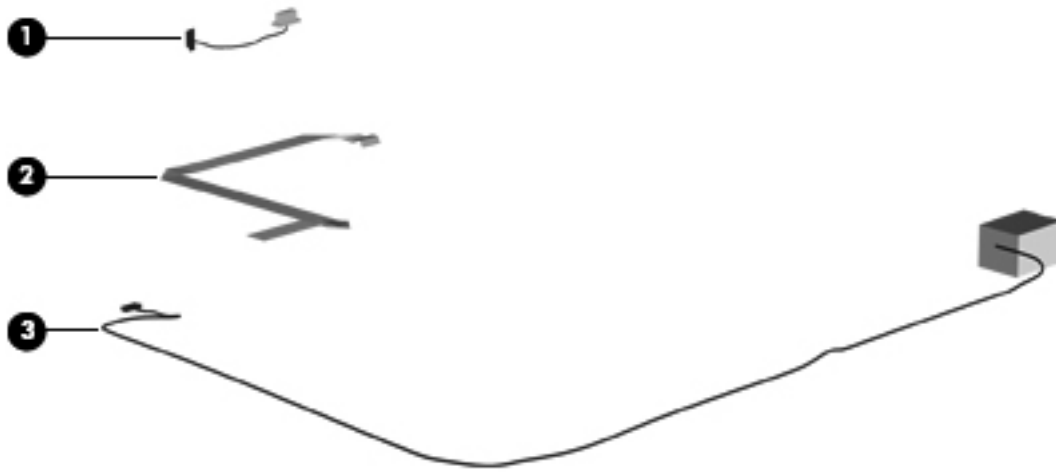


Item	Description	Spare part number
(1)	Display bezel (for use on models with or without a webcam)	
	For use with HP ProBook 6460b models	643918-001
	For use with HP EliteBook 8460p models	643919-001
	For use with HP EliteBook 8460w models	643920-001
(2)	Webcam module with microphone	
	For use with HP ProBook 6460b models	642795-001
	For use with HP EliteBook 8460p/w models	642796-001

Item	Description	Spare part number
	Microphone module (not illustrated)	
	For use with HP ProBook 6460b models	642797-001
	For use with HP EliteBook 8460p/w models	642798-001
(3)	Display hinges (includes left and right hinges)	
	For use with HP ProBook 6460b models	641836-001
	For use with HP EliteBook 8460p/w models	642782-001
(4)	Display hinge covers	
	For use with HP ProBook 6460b models (includes left and right covers)	642783-001
	For use with HP EliteBook 8460p/w models (includes left, right, and middle covers)	642784-001
(5)	Display panel	
	For use with HP ProBook 6460b models	
	<ul style="list-style-type: none"> 35.6-cm (14.0-in), HD, anti-glare, LED, LVDS (does not include cable) 	643914-001
	<ul style="list-style-type: none"> 35.6-cm (14.0-in), HD+, anti-glare, LED, LVDS (does not include cable) 	643915-001
	For use with HP EliteBook 8460p/w models	
	<ul style="list-style-type: none"> 35.6-cm (14.0-in), HD anti-glare, LED, SVA, LVDS (does not include cable) 	653039-001
	<ul style="list-style-type: none"> 35.6-cm (14.0-in), HD+ anti-glare, LED, SVA, LVDS (does not include cable) 	653040-001
	Display Cable Kit	
(6a)	Display cable	
(6b)	Webcam cable	
	For use in HP ProBook 6460b models with HD displays	642789-001
	For use in HP ProBook 6460b models with HD+ displays	642792-001
	For use in HP EliteBook 8460p models with HD displays	642790-001
	For use in HP EliteBook 8460p models with HD+ displays	642793-001
	For use in HP EliteBook 8460w models with HD displays	642791-001
	For use in HP EliteBook 8460w models with HD+ displays	642794-001
(7)	WLAN antennas	
	For use in HP ProBook 6460b models; includes two antennas	642799-001
	For use in HP EliteBook 8460p/w models; includes three antennas	642800-001
(8)	WWAN antennas	
	For use in HP ProBook 6460b models	642801-001
	For use in HP EliteBook 8460p/w models	642802-001
(9)	Display enclosure	
	For use in HP ProBook 6460b models	642778-001
	For use in HP EliteBook 8460p models	642779-001

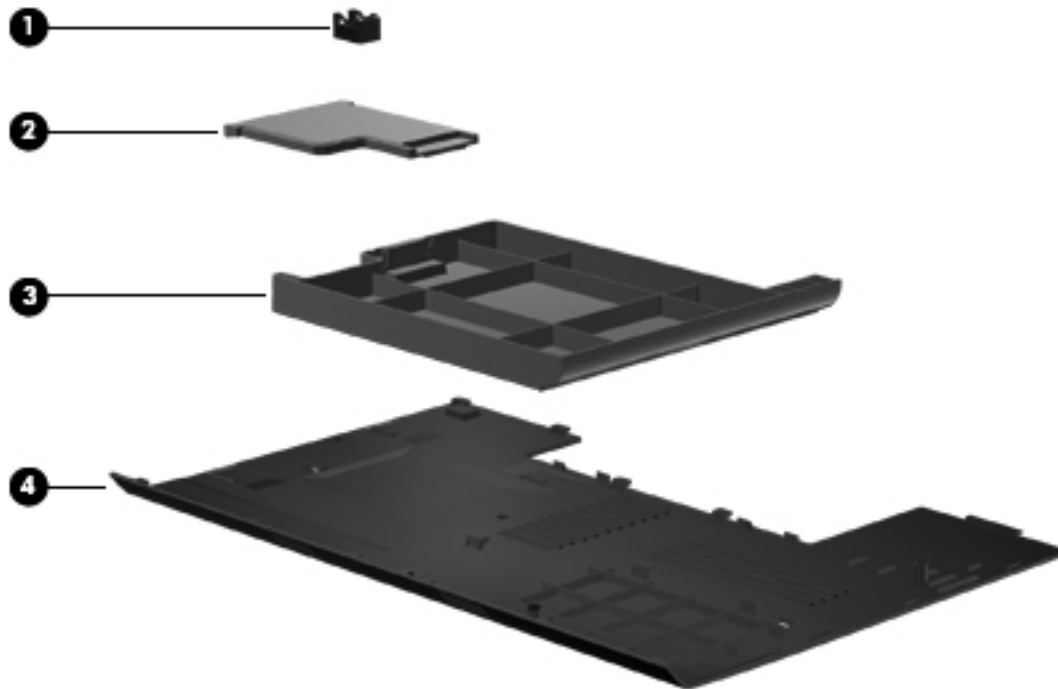
Item	Description	Spare part number
	For use in HP EliteBook 8460w models (includes backlight module)	642780-001
	Display Latch Kit (not illustrated)	641841-001
	Display Screw Kit (not illustrated)	
	For use in HP ProBook 6460b models	642787-001
	For use in HP EliteBook 8460p/w models	642788-001
	Display Rubber Kit (not illustrated)	642785-001
	Display Panel Support Kit , includes:	
	<ul style="list-style-type: none"> • WLAN antenna kit • WWAN antenna kit • Display HD cable kit • Display HD+ cable kit • Display enclosure 	
	For use in 6460b models	657836-001
	For use in 8460p models	657837-001
	For use in 8460w models	657838-001

Cable Kit



Item	Description	Spare part number
	Cable Kit:	641830-001
(1)	Bluetooth module cable	
(2)	Pointing stick cable	
(3)	RJ-11 connector cable	

Plastics Kit



Item	Description	Spare part number
	Plastics Kit for use in HP ProBook 6460b models	641832-001
	Plastics Kit for use in HP EliteBook 8460p/8460w models	642804-001
(1)	RJ-11 jack	
(2)	ExpressCard slot protective insert	
(3)	Optical drive protective insert	
(4)	Bottom door	

Mass storage devices

Description	Spare part number
Optical drive	
For use in 6460b/8460p models:	
• Blu-ray BD-R/RE DVD±RW SuperMulti DL Drive	643912-001
• Blu-ray Disc ROM with SuperMulti DVD±R/RW DL Drive	643913-001
• DVD±RW and CD-RW SuperMulti DL Combo Drive	643911-001
• DVD-ROM Drive	643910-001
For use in 8460w models:	
• Blu-ray Disc ROM with SuperMulti DVD±R/RW DL Drive	659769-001
• DVD±RW and CD-RW SuperMulti DL Combo Drive	659769-001
• DVD-ROM Drive	659769-001
Hard drive	
750-GB, 7200-rpm	633252-001
640-GB, 5400-rpm	637312-001
500-GB, 7200-rpm	634919-001
500-GB, 7200-rpm (for use in the upgrade bay)	656424-001
500-GB, 5400-rpm	634932-001
320-GB, 7200-rpm, Self-Encrypting Drive (SED)	626978-001
320-GB, 7200-rpm	627731-001
320-GB, 5400-rpm	622643-001
250-GB, 7200-rpm	635225-001
256-GB solid-state drive	669684-001
256-GB solid-state drive, Self-Encrypting Drive (SED)	684565-001
256-GB solid-state drive, SATA III	681123-001
160-GB solid-state drive	643916-001
128-GB solid-state drive	643917-001
128-GB solid-state drive, SATA III	681122-001
120-GB solid-state drive	669685-001
Hard Drive Hardware Kit (includes hard drive bracket and screws)	642774-001
Upgrade Bay – Hard Drive Adapter Kit	643921-001

Miscellaneous parts

Description	Spare part number
AC adapters	
65-W AC adapter	609939-001
65-W AC adapter for use in India	609948-001
90-W AC adapter	609940-001
90-W AC adapter for use in India	609947-001
Power cords:	
For use in Argentina	490371-D01
For use in Australia	490371-011
For use in Thailand	490371-201
For use in Brazil	490371-202
For use in Denmark	490371-081
For use in Europe, the Middle East, and Africa	490371-021
For use in India	490371-D61
For use in Israel	490371-BB1
For use in Italy	490371-061
For use in Japan	490371-291
For use in the People's Republic of China	490371-AA1
For use in South Africa	490371-AR1
For use in South Korea	490371-AD1
For use in Switzerland	490371-111
For use in Taiwan	490371-AB1
For use in the United Kingdom	490371-031
For use in the United States	490371-001
Rubber Kit (includes rubber feet and rubber screw covers)	
For use with model 6460b	641831-001
For use with model 8460p/w	642768-001
Screw Kit	641833-001
Mouse , optical, 2-button	390632-001
HP optical travel mouse	434594-001
HP basic carrying case	455084-001
Professional slim, top load case	592923-001
Notebook combination lock	591699-001

Description	Spare part number
HP keyed cable lock	626729-001
Nylon case	612757-001

Sequential part number listing

Spare part number	Description
390632-001	Mouse, optical
434594-001	Mouse, USB, travel
455084-001	HP Basic Carrying Case
490371-001	Power cord for use in North America
490371-011	Power cord for use in Australia
490371-021	Power cord for use in Europe, the Middle East, and Africa
490371-031	Power cord for use in the United Kingdom
490371-061	Power cord for use in Italy
490371-081	Power cord for use in Denmark
490371-111	Power cord for use in Switzerland
490371-201	Power cord for use in Thailand
490371-202	Power cord for use in Brazil
490371-291	Power cord for use in Japan
490371-AA1	Power cord for use in the People's Republic of China
490371-AB1	Power cord for use in Taiwan
490371-AD1	Power cord for use in South Korea
490371-AR1	Power cord for use in South Africa
490371-BB1	Power cord for use in Israel
490371-D01	Power cord for use in Argentina
490371-D61	Power cord for use in India
537921-001	Bluetooth module

Spare part number	Description
572511-001	Intel Wi-Fi Link 6300, 802.11a/b/g/n WLAN module for use in Andorra, Antigua and Barbuda, Argentina, Aruba, Australia, Austria, Azerbaijan, Bahamas, Bahrain, Barbados, Belgium, Bermuda, Bolivia, Bosnia and Herzegovina, Brazil, Brunei, Bulgaria, Canada, Cayman Islands, Chile, the People's Republic of China, Colombia, Costa Rica, Croatia, Cyprus, Czech Republic, Denmark, Dominican Republic, Ecuador, Egypt, El Salvador, Estonia, Finland, France, French Guiana, Georgia, Germany, Ghana, Greece, Guadeloupe, Guam, Guatemala, Haiti, Honduras, Hong Kong, Hungary, Iceland, India, Indonesia, Ireland, Israel, Italy, Ivory Coast, Jamaica, Japan, Jordan, Kenya, South Korea, Kuwait, Kyrgyzstan, Latvia, Lebanon, Martinique, US Virgin Islands, Puerto Rico, Nether Antilles, Liechtenstein, Lithuania, Luxembourg, Malawi, Malaysia, Malta, Mauritius, Mexico, Monaco, Montenegro, Morocco, the Netherlands, New Zealand, Nicaragua, Nigeria, Norway, Oman, Pakistan, Panama, Paraguay, Peru, Philippines, Poland, Portugal, Qatar, Romania, San Marino, Saudi Arabia, Senegal, Singapore, Slovakia, Slovenia, South Africa, Spain, Sri Lanka, Sweden, Switzerland, Taiwan, Tanzania, Thailand, Trinidad and Tobago, Turkey, the United Arab Emirates, the United Kingdom, the United States, Uruguay, Venezuela, and Vietnam
582564-001	Broadcom 43224AGN 802.11a/b/g/draft-n WiFi Adapter for use in Antigua and Barbuda, Aruba, the Bahamas, Barbados, Belize, Canada, Guam, Guinea, Haiti, Jamaica, the Nether Antilles, Puerto Rico, St. Kitts and Nevis, St. Lucia, St. Vincent and the Grenadines, Suriname, the US Virgin Islands, and the United States
582564-002	Broadcom 43224AGN 802.11a/b/g/draft-n WiFi Adapter for use in Albania, Algeria, Andorra, Angola, Argentina, Armenia, Australia, Austria, Azerbaijan, Bahrain, Belarus, Belgium, Benin, Bermuda, Bhutan, Bolivia, Bosnia and Herzegovina, Botswana, Brazil, the British Virgin Islands, Brunei, Bulgaria, Burkina Faso, Burundi, Cambodia, Cameroon, Cape Verde, the Cayman Islands, Central African Republic, Chad, Chile, People's Republic of China, Colombia, Comoros, Congo, Costa Rica, Croatia, Cyprus, the Czech Republic, Denmark, Djibouti, Dominica, the Dominican Republic, East Timor, Ecuador, Egypt, El Salvador, Equatorial Guinea, Eritrea, Estonia, Ethiopia, Fiji, Finland, France, French Guiana, Gabon, Gambia, Georgia, Germany, Ghana, Gibraltar, Greece, Grenada, Guadeloupe, Guatemala, Guinea, Guinea-Bissa, Honduras, Hong Kong, Hungary, Iceland, India, Ireland, Italy, Ivory Coast, Japan, Jordan, Kazakhstan, Kenya, Kiribati, Kuwait, Kyrgyzstan, Laos, Latvia, Lebanon, Lesotho, Liberia, Liechtenstein, Lithuania, Luxembourg, Macedonia, Madagascar, Malawi, Malaysia, Maldives, Mali, Malta, Marshall Islands, Martinique, Mauritania, Mauritius, Mexico, Micronesia, Monaco, Mongolia, Montenegro, Morocco, Mozambique, Namibia, Nauru, Nepal, Netherlands, New Zealand, Nicaragua, Niger, Nigeria, Norway, Oman, Palau, Panama, Papua New Guinea, Paraguay, Peru, Philippines, Poland, Portugal, Qatar, Republic of Moldova, Romania, Rwanda, Samoa, San Marino, Sao Tome and Principe, Saudi Arabia, Senegal, Serbia and Montenegro, Seychelles, Sierra Leone, Singapore, Slovakia, Slovenia, Solomon Islands, Somalia, South Africa, South Korea, Spain, Sri Lanka, Swaziland, Sweden, Switzerland, Taiwan, Tajikistan, Tanzania, Thailand, Togo, Tonga, Trinidad and Tobago, Tunisia, Turkey, Turkmenistan, Tuvalu, Uganda, United Arab Emirates, United Kingdom, Uruguay, Uzbekistan, Vanuatu, Venezuela, Vietnam, Yemen, Zaire, Zambia, and Zimbabwe
591699-001	Combination lock
592923-001	Professional, slim top load case
593530-001	Intel Wi-Fi Link 1000 for use in Andorra, Antigua and Barbuda, Argentina, Aruba, Australia, Austria, Azerbaijan, Bahamas, Bahrain, Barbados, Belgium, Bermuda, Bolivia, Bosnia and Herzegovina, Brazil, Brunei, Bulgaria, Canada, the Cayman Islands, Chile, People's Republic of China, Colombia, Costa Rica, Croatia, Cyprus, the Czech Republic, Denmark, the Dominican Republic, Ecuador, Egypt, El Salvador, Estonia, Finland, France, French Guiana, Georgia, Germany, Ghana, Greece, Guadeloupe, Guam, Guatemala, Haiti, Honduras, Hong Kong, Hungary, Iceland, India, Indonesia, Ireland, Israel, Italy, Ivory Coast, Jamaica, Japan, Jordan, Kenya, Kuwait, Kyrgyzstan, Latvia, Lebanon, Liechtenstein, Lithuania, Luxembourg, Malawi, Malaysia, Malta, Martinique, Mauritius, Mexico, Monaco, Montenegro, Morocco, the Nether Antilles, Netherlands, New Zealand, Nicaragua, Nigeria, Norway, Oman, Pakistan, Panama, Paraguay, Peru, Philippines, Poland, Portugal, Puerto Rico, Qatar, Romania, San Marino, Saudi Arabia, Senegal, Singapore, Slovakia, Slovenia, South Africa, South Korea, Spain, Sri Lanka, Sweden, Switzerland, Taiwan, Tanzania, Thailand, Trinidad and Tobago, Turkey, Ukraine, United Arab Emirates, United Kingdom, Uruguay, the US Virgin Islands, the United States, Venezuela, and Vietnam

Spare part number	Description
593836-001	Broadcom 4313AGN 802.11a/b/g/draft-n WiFi Adapter for use in Afghanistan, Albania, Algeria, Andorra, Angola, Antigua and Barbuda, Argentina, Armenia, Aruba, Australia, Austria, Azerbaijan, Bahamas, Bahrain, Bangladesh, Barbados, Belarus, Belgium, Belize, Benin, Bermuda, Bhutan, Bolivia, Bosnia and Herzegovina, Botswana, Brazil, the British Virgin Islands, Brunei, Bulgaria, Burkina Faso, Burundi, Cambodia, Cameroon, Canada, Cape Verde, the Cayman Islands, Central African Republic, Chad, People's Republic of China, Colombia, Comoros, Congo, Costa Rica, Croatia, Cyprus, the Czech Republic, Denmark, Djibouti, Dominica, the Dominican Republic, East Timor, Ecuador, Egypt, El Salvador, Equatorial Guinea, Eritrea, Estonia, Ethiopia, Fiji, Finland, France, French Guiana, Gabon, Gambia, Georgia, Germany, Ghana, Gibraltar, Greece, Grenada, Guadeloupe, Guam, Guatemala, Guinea, Guinea-Bissa, Guyana, Haiti, Honduras, Hong Kong, Hungary, Iceland, India, Iraq, Ireland, Israel, Italy, Ivory Coast, Jamaica, Japan, Jordan, Kazakhstan, Kenya, Kiribati, Kuwait, Kyrgyzstan, Laos, Latvia, Lebanon, Lesotho, Liberia, Martinique, Liechtenstein, Lithuania, Luxembourg, Macedonia, Madagascar, Malawi, Malaysia, Maldives, Mali, Malta, Marshall Islands, Mauritania, Mauritius, Mexico, Micronesia, Monaco, Mongolia, Montenegro, Morocco, Mozambique, Namibia, Nauru, Nepal, the Nether Antilles, the Netherlands, New Zealand, Nicaragua, Niger, Nigeria, Norway, Oman, Pakistan, Palau, Panama, Papua New Guinea, Paraguay, Puerto Rico, Peru, Philippines, Poland, Portugal, Qatar, Republic of Moldova, Romania, Russia, Rwanda, Samoa, San Marino, Sao Tome and Principe, Saudi Arabia, Senegal, Serbia and Montenegro, Seychelles, Sierra Leone, Singapore, Slovakia, Slovenia, Solomon Islands, Somalia, South Africa, South Korea, Spain, Sri Lanka, St. Kitts and Nevis, St. Lucia, St. Vincent and the Grenadines, Suriname, Swaziland, Sweden, Switzerland, Syria, Taiwan, Tajikistan, Tanzania, Thailand, Togo, Tonga, Trinidad and Tobago, Tunisia, Turkey, Turkmenistan, Tuvalu, Uganda, Ukraine, the United Arab Emirates, the United Kingdom, Uruguay, the United States, the US Virgin Islands, Uzbekistan, Vanuatu, Venezuela, Vietnam, Yemen, Zaire, Zambia, and Zimbabwe
609939-001	65-W AC adapter
609940-001	90-W AC adapter
609947-001	90-W AC adapter for use in India
609948-001	65-W AC adapter for use in India
612757-001	Nylon case
621565-001	2-GB memory module (PC3-10600, 1333-MHz, DDR3)
621569-001	4-GB memory module (PC3-10600, 1333-MHz, DDR3)
622643-001	320-GB, 5400-rpm hard drive
626729-001	HP keyed cable lock
626978-001	320-GB, 7200-rpm Self-Encrypting Drive (SED) hard drive
627731-001	320-GB, 7200-rpm hard drive
628664-001	3-cell, 31 WHr, 2.8 Ah Li-ion battery
628668-001	6-cell, 62 WHr, 2.8 Ah Li-ion battery
628670-001	6-cell, 55 WHr, 2.8 Ah, long life Li-ion battery
628824-001	Modem module
	NOTE: The modem module spare part kit does not include a modem module cable. The modem module cable is included in the Cable Kit, spare part number 641830-001. See Cable Kit on page 39 for more Cable Kit spare part number information.

Spare part number	Description
630435-001	Atheros HB112AGN 802.11a/b/g/n 3x3 WiFi Adapter for use in Afghanistan, Albania, Algeria, Andorra, Angola, Antigua and Barbuda, Argentina, Armenia, Aruba, Australia, Austria, Azerbaijan, Bahamas, Bahrain, Bangladesh, Barbados, Belarus, Belgium, Belize, Benin, Bermuda, Bhutan, Bolivia, Bosnia and Herzegovina, Botswana, Brazil, the British Virgin Islands, Brunei, Bulgaria, Burkina Faso, Burundi, Cambodia, Cameroon, Canada, Cape Verde, the Cayman Islands, Central African Republic, Chad, People's Republic of China, Colombia, Comoros, Congo, Costa Rica, Croatia, Cyprus, the Czech Republic, Denmark, Djibouti, Dominica, the Dominican Republic, East Timor, Ecuador, Egypt, El Salvador, Equatorial Guinea, Eritrea, Estonia, Ethiopia, Fiji, Finland, France, French Guiana, Gabon, Gambia, Georgia, Germany, Ghana, Gibraltar, Greece, Grenada, Guadeloupe, Guam, Guatemala, Guinea, Guinea-Bissa, Guyana, Haiti, Honduras, Hong Kong, Hungary, Iceland, India, Iraq, Ireland, Israel, Italy, Ivory Coast, Jamaica, Japan, Jordan, Kazakhstan, Kenya, Kiribati, Kuwait, Kyrgyzstan, Laos, Latvia, Lebanon, Lesotho, Liberia, Martinique, Liechtenstein, Lithuania, Luxembourg, Macedonia, Madagascar, Malawi, Malaysia, Maldives, Mali, Malta, Marshall Islands, Mauritania, Mauritius, Mexico, Micronesia, Monaco, Mongolia, Montenegro, Morocco, Mozambique, Namibia, Nauru, Nepal, the Nether Antilles, the Netherlands, New Zealand, Nicaragua, Niger, Nigeria, Norway, Oman, Pakistan, Palau, Panama, Papua New Guinea, Paraguay, Puerto Rico, Peru, Philippines, Poland, Portugal, Qatar, Republic of Moldova, Romania, Russia, Rwanda, Samoa, San Marino, Sao Tome and Principe, Saudi Arabia, Senegal, Serbia and Montenegro, Seychelles, Sierra Leone, Singapore, Slovakia, Slovenia, Solomon Islands, Somalia, South Africa, South Korea, Spain, Sri Lanka, St. Kitts and Nevis, St. Lucia, St. Vincent and the Grenadines, Suriname, Swaziland, Sweden, Switzerland, Syria, Taiwan, Tajikistan, Tanzania, Thailand, Togo, Tonga, Trinidad and Tobago, Tunisia, Turkey, Turkmenistan, Tuvalu, Uganda, Ukraine, the United Arab Emirates, the United Kingdom, Uruguay, the United States, the US Virgin Islands, Uzbekistan, Vanuatu, Venezuela, Vietnam, Yemen, Zaire, Zambia, and Zimbabwe
631243-001	9-cell, 100 WHr, 3.0 Ah Li-ion battery (CC09100-CL)
631252-001	Intel Core i7 processor, 2620M, 2.7-GHz (turbo up to 3.4-GHz) processor, 4-MB L3 cache
631253-001	Intel Core i5 processor, 2520M, 2.5-GHz (turbo up to 3.2-GHz) processor, 3-MB L3 cache
631254-001	Intel Core i7 processor, 2720QM, 2.2-GHz (turbo up to 3.3-GHz) processor, 6-MB L3 cache
631255-001	Intel Core i7 processor, 2540M, 2.6-GHz (turbo up to 3.3-GHz) processor, 3-MB L3 cache
631954-001	Intel Centrino Advanced-N 6205 for use in Afghanistan, Albania, Algeria, Andorra, Angola, Antigua and Barbuda, Argentina, Armenia, Australia, Austria, Azerbaijan, Bahamas, Bahrain, Bangladesh, Barbados, Belarus, Belgium, Belize, Benin, Bermuda, Bhutan, Bolivia, Bosnia and Herzegovina, Botswana, Brazil, the British Virgin Islands, Brunei, Bulgaria, Burkina Faso, Burundi, Cambodia, Cameroon, Canada, Cape Verde, the Cayman Islands, Central African Republic, Chad, People's Republic of China, Colombia, Comoros, Congo, Costa Rica, Croatia, Cyprus, the Czech Republic, Denmark, Djibouti, Dominica, the Dominican Republic, East Timor, Ecuador, Egypt, El Salvador, Equatorial Guinea, Eritrea, Estonia, Ethiopia, Fiji, Finland, France, French Guiana, Gabon, Gambia, Georgia, Germany, Ghana, Gibraltar, Greece, Grenada, Guadeloupe, Guam, Guatemala, Guinea, Guinea-Bissa, Guyana, Haiti, Honduras, Hong Kong, Hungary, Iceland, India, Iraq, Ireland, Israel, Italy, Ivory Coast, Jamaica, Japan, Jordan, Kazakhstan, Kenya, Kiribati, Kuwait, Kyrgyzstan, Laos, Latvia, Lebanon, Lesotho, Liberia, Martinique, Liechtenstein, Lithuania, Luxembourg, Macedonia, Madagascar, Malawi, Malaysia, Maldives, Mali, Malta, Marshall Islands, Mauritania, Mauritius, Mexico, Micronesia, Monaco, Mongolia, Montenegro, Morocco, Mozambique, Namibia, Nauru, Nepal, the Nether Antilles, the Netherlands, New Zealand, Nicaragua, Niger, Nigeria, Norway, Oman, Pakistan, Palau, Panama, Papua New Guinea, Paraguay, Puerto Rico, Peru, Philippines, Poland, Portugal, Qatar, Republic of Moldova, Romania, Russia, Rwanda, Samoa, San Marino, Sao Tome and Principe, Saudi Arabia, Senegal, Serbia and Montenegro, Seychelles, Sierra Leone, Singapore, Slovakia, Slovenia, Solomon Islands, Somalia, South Africa, South Korea, Spain, Sri Lanka, St. Kitts and Nevis, St. Lucia, St. Vincent and the Grenadines, Suriname, Swaziland, Sweden, Switzerland, Syria, Taiwan, Tajikistan, Tanzania, Thailand, Togo, Tonga, Trinidad and Tobago, Tunisia, Turkey, Turkmenistan, Tuvalu, Uganda, Ukraine, the United Arab Emirates, the United Kingdom, Uruguay, the United States, the US Virgin Islands, Uzbekistan, Vanuatu, Venezuela, Vietnam, Yemen, Zaire, Zambia, and Zimbabwe
632155-001	HP hs2340 HSPA+ Mobile Broadband Module
633252-001	750-GB, 7200-rpm hard drive
634087-001	9-cell, 100 WHr, 3.0 Ah Li-ion battery (BB09100-CL)

Spare part number	Description
634089-001	9-cell, 73 WHr, 2.2 Ah Li-ion battery
634091-001	8-GB memory module (PC3-10600, 1333-MHz, DDR3)
634400-001	HP un2430 EV-DO/HSPA Mobile Broadband Module
634513-001	HP It2510 EV-DO/LTE Mobile Broadband Module
634694-001	Intel Core i7 processor, 2820QM, 2.3-GHz (turbo up to 3.4-GHz) processor, 8-MB L3 cache
634919-001	500-GB, 7200-rpm hard drive
634932-001	500-GB, 5400-rpm hard drive
635225-001	250-GB, 7200-rpm hard drive
635501-001	Intel Core i7 processor, 2630QM, 2.0-GHz (turbo up to 2.9-GHz), 6-MB L3 cache
637312-001	640-GB, 5400-rpm hard drive
638037-001	Intel Core i3 processor, 2310M, 2.1-GHz, 3-MB L3 cache
638039-001	Intel Core i5 processor, 2410M, 2.3-GHz (turbo up to 2.9-GHz), 3-MB L3 cache
641830-001	Cable Kit (see Cable Kit on page 39 for more Cable Kit spare part information)
641831-001	Rubber Kit for use with model 6460b (includes rubber feet and rubber screw covers)
641832-001	Plastics Kit for use in HP ProBook 6460b models (see Plastics Kit on page 40 for more Plastics Kit spare part information)
641833-001	Screw Kit
641834-001	Keyboard without pointing stick for use in HP ProBook 6460b models in the United States (includes keyboard cable)
641834-031	Keyboard without pointing stick for use in HP ProBook 6460b models in the United Kingdom (includes keyboard cable)
641834-041	Keyboard without pointing stick for use in HP ProBook 6460b models in Germany (includes keyboard cable)
641834-051	Keyboard without pointing stick for use in HP ProBook 6460b models in France (includes keyboard cable)
641834-061	Keyboard without pointing stick for use in HP ProBook 6460b models in Italy (includes keyboard cable)
641834-071	Keyboard without pointing stick for use in HP ProBook 6460b models in Spain (includes keyboard cable)
641834-081	Keyboard without pointing stick for use in HP ProBook 6460b models in Denmark (includes keyboard cable)
641834-091	Keyboard without pointing stick for use in HP ProBook 6460b models in Norway (includes keyboard cable)
641834-121	Keyboard without pointing stick for use in HP ProBook 6460b models in French Canada (includes keyboard cable)
641834-131	Keyboard without pointing stick for use in HP ProBook 6460b models in Portugal (includes keyboard cable)
641834-141	Keyboard without pointing stick for use in HP ProBook 6460b models in Turkey (includes keyboard cable)
641834-161	Keyboard without pointing stick for use in HP ProBook 6460b models in Latin America (includes keyboard cable)
641834-171	Keyboard without pointing stick for use in HP ProBook 6460b models in Saudi Arabia (includes keyboard cable)
641834-201	Keyboard without pointing stick for use in HP ProBook 6460b models in Brazil (includes keyboard cable)

Spare part number	Description
641834-211	Keyboard without pointing stick for use in HP ProBook 6460b models in Hungary (includes keyboard cable)
641834-251	Keyboard without pointing stick for use in HP ProBook 6460b models in Russia (includes keyboard cable)
641834-261	Keyboard without pointing stick for use in HP ProBook 6460b models in Bulgaria (includes keyboard cable)
641834-281	Keyboard without pointing stick for use in HP ProBook 6460b models in Thailand (includes keyboard cable)
641834-291	Keyboard without pointing stick for use in HP ProBook 6460b models in Japan (includes keyboard cable)
641834-A41	Keyboard without pointing stick for use in HP ProBook 6460b models in Belgium (includes keyboard cable)
641834-A81	Keyboard without pointing stick for use in HP ProBook 6460b models in the Czech Republic (includes keyboard cable)
641834-AB1	Keyboard without pointing stick for use in HP ProBook 6460b models in Taiwan (includes keyboard cable)
641834-AD1	Keyboard without pointing stick for use in HP ProBook 6460b models in South Korea (includes keyboard cable)
641834-B31	Keyboard without pointing stick for use in HP ProBook 6460b models in the Netherlands and Europe (includes keyboard cable)
641834-B71	Keyboard without pointing stick for use in HP ProBook 6460b models in Sweden (includes keyboard cable)
641834-BA1	Keyboard without pointing stick for use in HP ProBook 6460b models in Slovenia (includes keyboard cable)
641834-BB1	Keyboard without pointing stick for use in HP ProBook 6460b models in Israel (includes keyboard cable)
641834-BG1	Keyboard without pointing stick for use in HP ProBook 6460b models in Switzerland (includes keyboard cable)
641834-D61	Keyboard without pointing stick for use in HP ProBook 6460b models in India (includes keyboard cable)
641834-DD1	Keyboard without pointing stick for use in HP ProBook 6460b models in Iceland (includes keyboard cable)
641834-DJ1	Keyboard without pointing stick for use in HP ProBook 6460b models in Greece (includes keyboard cable)
641834-DW1	Keyboard without pointing stick for use in HP ProBook 6460b models in the French Arabic region (includes keyboard cable)
641835-001	Keyboard with pointing stick for use in HP ProBook 6460b models in the United States (includes keyboard and pointing stick cables)
641835-031	Keyboard with pointing stick for use in HP ProBook 6460b models in the United Kingdom (includes keyboard and pointing stick cables)
641835-041	Keyboard with pointing stick for use in HP ProBook 6460b models in Germany (includes keyboard and pointing stick cables)
641835-051	Keyboard with pointing stick for use in HP ProBook 6460b models in France (includes keyboard and pointing stick cables)
641835-061	Keyboard with pointing stick for use in HP ProBook 6460b models in Italy (includes keyboard and pointing stick cables)
641835-071	Keyboard with pointing stick for use in HP ProBook 6460b models in Spain (includes keyboard and pointing stick cables)
641835-081	Keyboard with pointing stick for use in HP ProBook 6460b models in Denmark (includes keyboard and pointing stick cables)
641835-091	Keyboard with pointing stick for use in HP ProBook 6460b models in Norway (includes keyboard and pointing stick cables)

Spare part number	Description
641835-121	Keyboard with pointing stick for use in HP ProBook 6460b models in French Canada (includes keyboard and pointing stick cables)
641835-131	Keyboard with pointing stick for use in HP ProBook 6460b models in Portugal (includes keyboard and pointing stick cables)
641835-141	Keyboard with pointing stick for use in HP ProBook 6460b models in Turkey (includes keyboard and pointing stick cables)
641835-161	Keyboard with pointing stick for use in HP ProBook 6460b models in Latin America (includes keyboard and pointing stick cables)
641835-171	Keyboard with pointing stick for use in HP ProBook 6460b models in Saudi Arabia (includes keyboard and pointing stick cables)
641835-201	Keyboard with pointing stick for use in HP ProBook 6460b models in Brazil (includes keyboard and pointing stick cables)
641835-211	Keyboard with pointing stick for use in HP ProBook 6460b models in Hungary (includes keyboard and pointing stick cables)
641835-251	Keyboard with pointing stick for use in HP ProBook 6460b models in Russia (includes keyboard and pointing stick cables)
641835-261	Keyboard with pointing stick for use in HP ProBook 6460b models in Bulgaria (includes keyboard and pointing stick cables)
641835-281	Keyboard with pointing stick for use in HP ProBook 6460b models in Thailand (includes keyboard and pointing stick cables)
641835-291	Keyboard with pointing stick for use in HP ProBook 6460b models in Japan (includes keyboard and pointing stick cables)
641835-A41	Keyboard with pointing stick for use in HP ProBook 6460b models in Belgium (includes keyboard and pointing stick cables)
641835-A81	Keyboard with pointing stick for use in HP ProBook 6460b models in the Czech Republic (includes keyboard cable)
641835-AB1	Keyboard with pointing stick for use in HP ProBook 6460b models in Taiwan (includes keyboard and pointing stick cables)
641835-AD1	Keyboard with pointing stick for use in HP ProBook 6460b models in South Korea (includes keyboard and pointing stick cables)
641835-B31	Keyboard with pointing stick for use in HP ProBook 6460b models in the Netherlands and Europe (includes keyboard and pointing stick cables)
641835-B71	Keyboard with pointing stick for use in HP ProBook 6460b models in Sweden (includes keyboard and pointing stick cables)
641835-BA1	Keyboard with pointing stick for use in HP ProBook 6460b models in Slovenia (includes keyboard and pointing stick cables)
641835-BB1	Keyboard with pointing stick for use in HP ProBook 6460b models in Israel (includes keyboard and pointing stick cables)
641835-BG1	Keyboard with pointing stick for use in HP ProBook 6460b models in Switzerland (includes keyboard and pointing stick cables)
641835-D61	Keyboard with pointing stick for use in HP ProBook 6460b models in India (includes keyboard and pointing stick cables)
641835-DD1	Keyboard with pointing stick for use in HP ProBook 6460b models in Iceland (includes keyboard and pointing stick cables)

Spare part number	Description
641835-DJ1	Keyboard with pointing stick for use in HP ProBook 6460b models in Greece (includes keyboard and pointing stick cables)
641835-DW1	Keyboard with pointing stick for use in HP ProBook 6460b models in the French Arabic region (includes keyboard cable)
641836-001	Display hinges for use in HP ProBook 6460b models (includes left and right hinge)
641838-001	Base enclosure for use with HP ProBook 6460b computer models
641839-001	Fan
641840-001	Speaker assembly
641841-001	Display Latch Kit
642741-001	Top cover for use with 6460b models that include a 2-button touchpad and fingerprint reader
642742-001	Top cover for use with 6460b models that include a 2-button touchpad without a fingerprint reader
642743-001	Top cover for use with 6460b models that include a 4-button touchpad and a fingerprint reader
642744-001	Top cover for use with 8460p models that include a 4-button touchpad and a fingerprint reader
642745-001	Top cover for use with 8460w models that include a 4-button touchpad and a fingerprint reader
642746-001	Top cover for use with 6460b models that include a 4-button touchpad without a fingerprint reader
642747-001	Top cover for use with 8460p models that include a 4-button touchpad without a fingerprint reader
642749-001	Base enclosure for use with HP EliteBook 8460p and 8460w computer models
642751-001	System board for use in all countries and regions except for Russia and China in computers with discrete graphics and with WLAN, with WWAN, no vPro (4M)
642753-001	System board for use in all countries and regions except for Russia and China in computers with discrete graphics and with vPro (8M), WLAN, WWAN, and 512-MB graphics
642754-001	System board for use in all countries and regions except for Russia and China in computers with discrete graphics and with vPro (8M), WLAN, WWAN, and 1-GB graphics
642755-001	System board for use in all countries and regions except for Russia and China in computers with UMA graphics and with WLAN, no WWAN, no vPro (4M)
642756-001	System board for use in all countries and regions except for Russia and China computers with UMA graphics and with WLAN, with WWAN, no vPro (4M)
642758-001	System board for use in all countries and regions except for Russia and China computers with UMA graphics and with vPro (8M), WLAN, WWAN
642759-001	System board for use in all countries and regions except for Russia and China computers with UMA graphics and with vPro (8M), WLAN, WWAN, and USB 3.0 ports
642760-001	Keyboard with pointing stick for use in HP EliteBook 8460p models in the United States (includes keyboard and pointing stick cables)
642760-031	Keyboard with pointing stick for use in HP EliteBook 8460p models in the United Kingdom (includes keyboard and pointing stick cables)
642760-041	Keyboard with pointing stick for use in HP EliteBook 8460p models in Germany (includes keyboard and pointing stick cables)
642760-051	Keyboard with pointing stick for use in HP EliteBook 8460p models in France (includes keyboard and pointing stick cables)

Spare part number	Description
642760-061	Keyboard with pointing stick for use in HP EliteBook 8460p models in Italy (includes keyboard and pointing stick cables)
642760-071	Keyboard with pointing stick for use in HP EliteBook 8460p models in Spain (includes keyboard and pointing stick cables)
642760-081	Keyboard with pointing stick for use in HP EliteBook 8460p models in Denmark (includes keyboard and pointing stick cables)
642760-091	Keyboard with pointing stick for use in HP EliteBook 8460p models in Norway (includes keyboard and pointing stick cables)
642760-121	Keyboard with pointing stick for use in HP EliteBook 8460p models in French Canada (includes keyboard and pointing stick cables)
642760-131	Keyboard with pointing stick for use in HP EliteBook 8460p models in Portugal (includes keyboard and pointing stick cables)
642760-141	Keyboard with pointing stick for use in HP EliteBook 8460p models in Turkey (includes keyboard and pointing stick cables)
642760-161	Keyboard with pointing stick for use in HP EliteBook 8460p models in Latin America (includes keyboard and pointing stick cables)
642760-171	Keyboard with pointing stick for use in HP EliteBook 8460p models in Saudi Arabia (includes keyboard and pointing stick cables)
642760-201	Keyboard with pointing stick for use in HP EliteBook 8460p models in Brazil (includes keyboard and pointing stick cables)
642760-211	Keyboard with pointing stick for use in HP EliteBook 8460p models in Hungary (includes keyboard and pointing stick cables)
642760-251	Keyboard with pointing stick for use in HP EliteBook 8460p models in Russia (includes keyboard and pointing stick cables)
642760-261	Keyboard with pointing stick for use in HP EliteBook 8460p models in Bulgaria (includes keyboard and pointing stick cables)
642760-281	Keyboard with pointing stick for use in HP EliteBook 8460p models in Thailand (includes keyboard and pointing stick cables)
642760-291	Keyboard with pointing stick for use in HP EliteBook 8460p models in Japan (includes keyboard and pointing stick cables)
642760-A41	Keyboard with pointing stick for use in HP EliteBook 8460p models in Belgium (includes keyboard and pointing stick cables)
642760-A81	Keyboard with pointing stick for use in HP EliteBook 8460p models in the Czech Republic (includes keyboard and pointing stick cables)
642760-AB1	Keyboard with pointing stick for use in HP EliteBook 8460p models in Taiwan (includes keyboard and pointing stick cables)
642760-AD1	Keyboard with pointing stick for use in HP EliteBook 8460p models in South Korea (includes keyboard and pointing stick cables)
642760-B31	Keyboard with pointing stick for use in HP EliteBook 8460p models in the Netherlands and Europe (includes keyboard and pointing stick cables)
642760-B71	Keyboard with pointing stick for use in HP EliteBook 8460p models in Sweden (includes keyboard and pointing stick cables)
642760-BA1	Keyboard with pointing stick for use in HP EliteBook 8460p models in Slovenia (includes keyboard and pointing stick cables)

Spare part number	Description
642760-BB1	Keyboard with pointing stick for use in HP EliteBook 8460p models in Israel (includes keyboard and pointing stick cables)
642760-BG1	Keyboard with pointing stick for use in HP EliteBook 8460p models in Switzerland (includes keyboard and pointing stick cables)
642760-D61	Keyboard with pointing stick for use in HP EliteBook 8460p models in India (includes keyboard and pointing stick cables)
642760-DD1	Keyboard with pointing stick for use in HP EliteBook 8460p models in Iceland (includes keyboard and pointing stick cables)
642760-DJ1	Keyboard with pointing stick for use in HP EliteBook 8460p models in Greece (includes keyboard and pointing stick cables)
642760-DW1	Keyboard with pointing stick for use in HP EliteBook 8460p models in the French Arabic region (includes keyboard cable)
642761-001	Keyboard with pointing stick for use in HP EliteBook 8460w models in the United States (includes keyboard and pointing stick cables)
642761-121	Keyboard with pointing stick for use in HP EliteBook 8460w models in French Canada (includes keyboard and pointing stick cables)
642761-161	Keyboard with pointing stick for use in HP EliteBook 8460w models in Latin America (includes keyboard and pointing stick cables)
642761-201	Keyboard with pointing stick for use in HP EliteBook 8460w models in Brazil (includes keyboard and pointing stick cables)
642761-281	Keyboard with pointing stick for use in HP EliteBook 8460w models in Thailand (includes keyboard and pointing stick cables)
642761-291	Keyboard with pointing stick for use in HP EliteBook 8460w models in Japan (includes keyboard and pointing stick cables)
642761-AB1	Keyboard with pointing stick for use in HP EliteBook 8460w models in Taiwan (includes keyboard and pointing stick cables)
642761-AD1	Keyboard with pointing stick for use in HP EliteBook 8460w models in South Korea (includes keyboard and pointing stick cables)
642761-D61	Keyboard with pointing stick for use in HP EliteBook 8460w models in India (includes keyboard and pointing stick cables)
642762-001	USB 3.0 board
642763-001	ExpressCard assembly
642764-001	Fingerprint reader board (includes cable)
642765-001	Lid switch board with cable
642766-001	Heat sink for use in computers with UMA graphics
642767-001	Heat sink for use in computers with discrete graphics
642768-001	Rubber Kit for use with model 8460p/w (includes rubber feet and rubber screw covers)
642769-001	Smart card reader for use with model 8460p/w
642774-001	Hard Drive Hardware Kit (includes hard drive bracket and screws)
642778-001	Display enclosure for use in HP ProBook 6460b models

Spare part number	Description
642779-001	Display enclosure for use in HP EliteBook 8460p models
642780-001	Display enclosure for use in HP EliteBook 8460w models (includes backlight module)
642782-001	Display Hinge Kit for use in HP EliteBook 8460p/w models
642783-001	Display hinge covers for use in HP ProBook 6460b models (includes left and right covers)
642784-001	Display hinge covers for use in HP EliteBook 8460p/w models (includes left, right, and middle covers)
642785-001	Display Rubber Kit
642787-001	Display Screw Kit for use in HP ProBook 6460b models
642788-001	Display Screw Kit for use in HP EliteBook 8460p/w models
642789-001	Display Cable Kit for use in HP ProBook 6460b models with HD displays (includes display cable and webcam cable)
642790-001	Display Cable Kit for use in HP EliteBook 8460p models with HD displays (includes display cable and webcam cable)
642791-001	Display Cable Kit for use in HP EliteBook 8460w models with HD displays (includes display cable and webcam cable)
642792-001	Display Cable Kit for use in HP ProBook 6460b models with HD+ displays (includes display cable and webcam cable)
642793-001	Display Cable Kit for use in HP EliteBook 8460p models with HD+ displays (includes display cable and webcam cable)
642794-001	Display Cable Kit for use in HP EliteBook 8460w models with HD+ displays (includes display cable and webcam cable)
642795-001	Webcam module with microphone for use in HP ProBook 6460b models
642796-001	Webcam module with microphone for use in HP ProBook 8460p/w models
642797-001	Microphone module for use in HP ProBook 6460b models
642798-001	Microphone module for use in HP ProBook 8460p/w models
642799-001	WLAN antennas for use in HP ProBook 6460b models (includes two antennas)
642800-001	WLAN antennas for use in HP EliteBook 8460p/w models (includes three antennas)
642801-001	WWAN antennas for use in HP ProBook 6460b models
642802-001	WWAN antennas for use in HP EliteBook 8460p/w models
642804-001	Plastics Kit for use in HP EliteBook 8460p/w models (see Plastics Kit on page 40 for more Plastics Kit spare part information)
643910-001	DVD-ROM drive
643911-001	DVD±RW and CD-RW SuperMulti DL combo drive
643912-001	Blu-ray BD-R/RE DVD±RW SuperMulti DL Drive
643913-001	Blu-ray ROM DVD±RW SuperMulti DL Drive
643914-001	Display panel, 35.6-cm (14.0-in), HD anti-glare, LED, SVA, LVDS (does not include cable) for use with HP ProBook 6460b models
643915-001	Display panel, 35.6-cm (14.0-in), HD+, anti-glare, LED, LVDS (does not include cable) for use with HP ProBook 6460b models

Spare part number	Description
643916-001	160-GB solid-state drive (SSD)
643917-001	128-GB solid-state drive (SSD)
643918-001	Display bezel for use with HP ProBook 6460b models with or without a webcam
643919-001	Display bezel for use with HP EliteBook 8460p models with or without a webcam
643920-001	Display bezel for use with HP EliteBook 8460w models with or without a webcam
643921-001	Upgrade Bay – Hard Drive Adapter Kit
646316-002	System board for use in only Russia and China in computers with discrete graphics with WLAN, with WWAN, no vPro (4M)
646318-002	System board for use in only Russia and China in computers with discrete graphics with vPro (8M), WLAN, WWAN, and 512-MB graphics
646319-002	System board for use in only Russia and China in computers with discrete graphics with vPro (8M), WLAN, WWAN, and 1-GB graphics
646320-002	System board for use in only Russia and China in computers with UMA graphics with WLAN, no WWAN, no vPro (4M)
646321-002	System board for use in only Russia and China in computers with UMA graphics with WLAN and WWAN, no vPro (4M)
646323-002	System board for use in only Russia and China in computers with UMA graphics with vPro (8M), WLAN, WWAN, and 512-MB graphics
646324-002	System board for use in only Russia and China in computers with UMA graphics and with vPro (8M), WLAN, WWAN, and USB 3.0 ports
646760-001	Intel Celeron processor, B810, 1.6-GHz, with 2-MB L3 cache
651948-001	RTC battery
653039-001	Display panel, 35.6-cm (14.0-in), HD anti-glare, LED, SVA, LVDS (does not include cable) for use with HP EliteBook 8460p/w models
653040-001	Display panel, 35.6-cm (14.0-in), HD+ anti-glare, LED, SVA, LVDS (does not include cable) for use with HP EliteBook 8460p/w models
653075-001	Ambient light sensor
653339-001	Intel Core i3 processor, 2330M, 2.2-GHz, 3-MB L3 cache
653341-001	Intel Core i5 processor, 2430M, 2.4-GHz (turbo up to 3.0-GHz), 3-MB L3 cache
654823-001	Smart card reader for use with model 6460b
656424-001	500-GB, 7200-rpm hard drive (for use in the upgrade bay)
657836-001	Display panel support kit for use in 6460b models
657837-001	Display panel support kit for use in 8460p models
657838-001	Display panel support kit for use in 8460w models
659083-001	6-cell, 2.55 Ah Li-ion battery (1-year warranty)
659766-001	DVD-ROM Drive
659767-001	DVD±RW and CD-RW SuperMulti DL Combo Drive
659769-001	Blu-ray ROM DVD±RW SuperMulti DL Drive

Spare part number	Description
660576-001	Optical drive bezel
664663-001	Intel Celeron Dual-Core processor, B840, 1.9-GHz, 2-MB L3 cache
665116-001	Intel Core i7 processor, 2670QM, 2.2-GHz (turbo up to 3.1-GHz), 6-MB L3 cache
666173-001	Intel Core i7 processor, 2640M, 2.8-GHz (turbo up to 3.5-GHz), 4-MB L3 cache
666174-001	Intel Core i7 processor, 2760QM, 2.4-GHz (turbo up to 3.5-GHz), 6-MB L3 cache
666175-001	Intel Core i7 processor, 2860QM, 2.5-GHz (turbo up to 3.6-GHz), 8-MB L3 cache
669684-001	256-GB solid-state drive (SSD)
669685-001	120-GB solid-state drive (SSD)
670123-001	System board for use in computers with vPro (8M), WLAN, WWAN, 1-GB graphics, and USB 3.0 ports in all countries and regions except for Ukraine and the People's Republic of China
670124-001	System board for use in computers with vPro (8M), WLAN, WWAN, 1-GB graphics, and USB 3.0 ports only in Ukraine and the People's Republic of China
676359-001	Intel Core i5 processor, 2450M, 2.5-GHz (turbo up to 3.1-GHz), 3-MB L3 cache
677152-001	Intel Core i3 processor, 2370M, 2.4-GHz, 3-MB L3 cache
681122-001	128-GB solid-state drive (SSD), SATA III
681123-001	256-GB solid-state drive (SSD), SATA III
684565-001	256-GB solid-state drive (SSD), Self-Encrypting Drive (SED)

4 Removal and replacement procedures

Preliminary replacement requirements

Tools required

You will need the following tools to complete the removal and replacement procedures:

- Flat-bladed screwdriver
- Phillips P0 and P1 screwdrivers
- Torx T8 screwdriver

Service considerations

The following sections include some of the considerations that you must keep in mind during disassembly and assembly procedures.



NOTE: As you remove each subassembly from the computer, place the subassembly (and all accompanying screws) away from the work area to prevent damage.

Plastic parts



CAUTION: Using excessive force during disassembly and reassembly can damage plastic parts. Use care when handling the plastic parts. Apply pressure only at the points designated in the maintenance instructions.

Cables and connectors

⚠ CAUTION: When servicing the computer, be sure that cables are placed in their proper locations during the reassembly process. Improper cable placement can damage the computer.

Cables must be handled with extreme care to avoid damage. Apply only the tension required to unseat or seat the cables during removal and insertion. Handle cables by the connector whenever possible. In all cases, avoid bending, twisting, or tearing cables. Be sure that cables are routed in such a way that they cannot be caught or snagged by parts being removed or replaced. Handle flex cables with extreme care; these cables tear easily.

Drive handling

⚠ CAUTION: Drives are fragile components that must be handled with care. To prevent damage to the computer, damage to a drive, or loss of information, observe these precautions:

Before removing or inserting a hard drive, shut down the computer. If you are unsure whether the computer is off or in Hibernation, turn the computer on, and then shut it down through the operating system.

Before handling a drive, be sure that you are discharged of static electricity. While handling a drive, avoid touching the connector.

Before removing a diskette drive or optical drive, be sure that a diskette or disc is not in the drive and be sure that the optical drive tray is closed.

Handle drives on surfaces covered with at least one inch of shock-proof foam.

Avoid dropping drives from any height onto any surface.

After removing a hard drive, an optical drive, or a diskette drive, place it in a static-proof bag.

Avoid exposing a hard drive to products that have magnetic fields, such as monitors or speakers.

Avoid exposing a drive to temperature extremes or liquids.

If a drive must be mailed, place the drive in a bubble pack mailer or other suitable form of protective packaging and label the package "FRAGILE."

Grounding guidelines

Electrostatic discharge damage

Electronic components are sensitive to electrostatic discharge (ESD). Circuitry design and structure determine the degree of sensitivity. Networks built into many integrated circuits provide some protection, but in many cases, ESD contains enough power to alter device parameters or melt silicon junctions.

A discharge of static electricity from a finger or other conductor can destroy static-sensitive devices or microcircuitry. Even if the spark is neither felt nor heard, damage may have occurred.

An electronic device exposed to ESD may not be affected at all and can work perfectly throughout a normal cycle. Or the device may function normally for a while, and then degrade in the internal layers, reducing its life expectancy.

CAUTION: To prevent damage to the computer when you are removing or installing internal components, observe these precautions:

Keep components in their electrostatic-safe containers until you are ready to install them.

Use nonmagnetic tools.

Before touching an electronic component, discharge static electricity by using the guidelines described in this section.

Avoid touching pins, leads, and circuitry. Handle electronic components as little as possible.

If you remove a component, place it in an electrostatic-safe container.

The following table shows how humidity affects the electrostatic voltage levels generated by different activities.

CAUTION: A product can be degraded by as little as 700 V.

Typical electrostatic voltage levels			
Event	Relative humidity		
	10%	40%	55%
Walking across carpet	35,000 V	15,000 V	7,500 V
Walking across vinyl floor	12,000 V	5,000 V	3,000 V
Motions of bench worker	6,000 V	800 V	400 V
Removing DIPS from plastic tube	2,000 V	700 V	400 V
Removing DIPS from vinyl tray	11,500 V	4,000 V	2,000 V
Removing DIPS from Styrofoam	14,500 V	5,000 V	3,500 V
Removing bubble pack from PCB	26,500 V	20,000 V	7,000 V
Packing PCBs in foam-lined box	21,000 V	11,000 V	5,000 V

Packaging and transporting guidelines

Follow these grounding guidelines when packaging and transporting equipment:

- To avoid hand contact, transport products in static-safe tubes, bags, or boxes.
- Protect ESD-sensitive parts and assemblies with conductive or approved containers or packaging.
- Keep ESD-sensitive parts in their containers until the parts arrive at static-free workstations.
- Place items on a grounded surface before removing items from their containers.
- Always be properly grounded when touching a component or assembly.
- Store reusable ESD-sensitive parts from assemblies in protective packaging or nonconductive foam.
- Use transporters and conveyors made of antistatic belts and roller bushings. Be sure that mechanized equipment used for moving materials is wired to ground and that proper materials are selected to avoid static charging. When grounding is not possible, use an ionizer to dissipate electric charges.

Workstation guidelines

Follow these grounding workstation guidelines:

- Cover the workstation with approved static-shielding material.
- Use a wrist strap connected to a properly grounded work surface and use properly grounded tools and equipment.
- Use conductive field service tools, such as cutters, screwdrivers, and vacuums.
- When fixtures must directly contact dissipative surfaces, use fixtures made only of static-safe materials.
- Keep the work area free of nonconductive materials, such as ordinary plastic assembly aids and Styrofoam.
- Handle ESD-sensitive components, parts, and assemblies by the case or PCM laminate. Handle these items only at static-free workstations.
- Avoid contact with pins, leads, or circuitry.
- Turn off power and input signals before inserting or removing connectors or test equipment.

Equipment guidelines

Grounding equipment must include either a wrist strap or a foot strap at a grounded workstation.

- When seated, wear a wrist strap connected to a grounded system. Wrist straps are flexible straps with a minimum of one megohm $\pm 10\%$ resistance in the ground cords. To provide proper ground, wear a strap snugly against the skin at all times. On grounded mats with banana-plug connectors, use alligator clips to connect a wrist strap.
- When standing, use foot straps and a grounded floor mat. Foot straps (heel, toe, or boot straps) can be used at standing workstations and are compatible with most types of shoes or boots. On conductive floors or dissipative floor mats, use foot straps on both feet with a minimum of one megohm resistance between the operator and ground. To be effective, the conductive strips must be worn in contact with the skin.

The following grounding equipment is recommended to prevent electrostatic damage:

- Antistatic tape
- Antistatic smocks, aprons, and sleeve protectors
- Conductive bins and other assembly or soldering aids
- Nonconductive foam
- Conductive tabletop workstations with ground cords of one megohm resistance
- Static-dissipative tables or floor mats with hard ties to the ground
- Field service kits
- Static awareness labels
- Material-handling packages
- Nonconductive plastic bags, tubes, or boxes
- Metal tote boxes
- Electrostatic voltage levels and protective materials

The following table lists the shielding protection provided by antistatic bags and floor mats.

Material	Use	Voltage protection level
Antistatic plastic	Bags	1,500 V
Carbon-loaded plastic	Floor mats	7,500 V
Metallized laminate	Floor mats	5,000 V

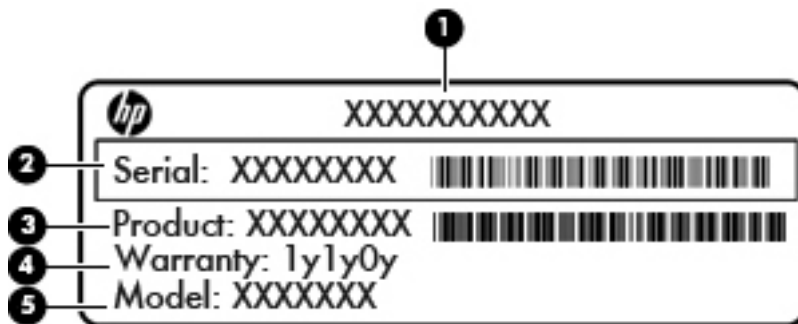
Component replacement procedures

This chapter provides removal and replacement procedures.

There are as many as 95 screws and screw locks, in 15 different sizes, that must be removed, replaced, or loosened when servicing the computer. Make special note of each screw and screw lock size and location during removal and replacement.

Service tag

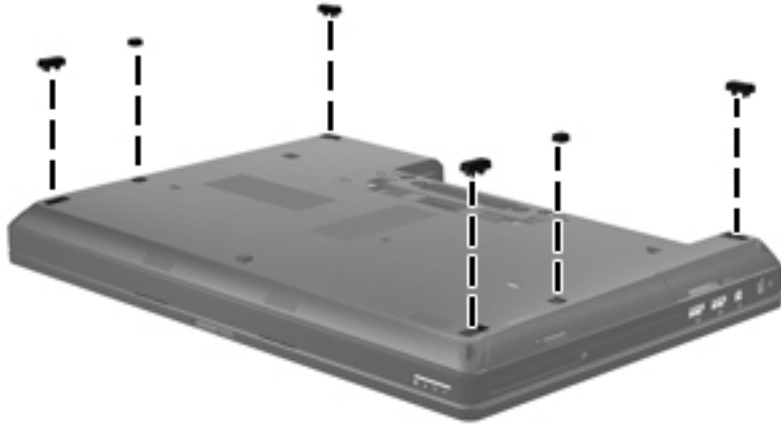
When ordering parts or requesting information, provide the computer serial number and model description provided on the service tag.



- Product name **(1)**. This is the product name affixed to the front of the computer.
- Serial number (s/n) **(2)**. This is an alphanumeric identifier that is unique to each product.
- Part number/Product number (p/n) **(3)**. This number provides specific information about the product's hardware components. The part number helps a service technician to determine what components and parts are needed.
- Warranty period **(4)**. This number describes the duration (in years) of the warranty period for the computer.
- Model description **(5)**. This is the alphanumeric identifier used to locate documents, drivers, and support for the computer.

Computer feet

The computer feet are adhesive-backed rubber pads. The feet are included in the Rubber Kit, spare part number 641831-001 for HP ProBook 6460b models and 642768-001 for HP EliteBook 8460p/w models. There are 6 rubber feet that attach to the base enclosure in the locations illustrated below.



Battery

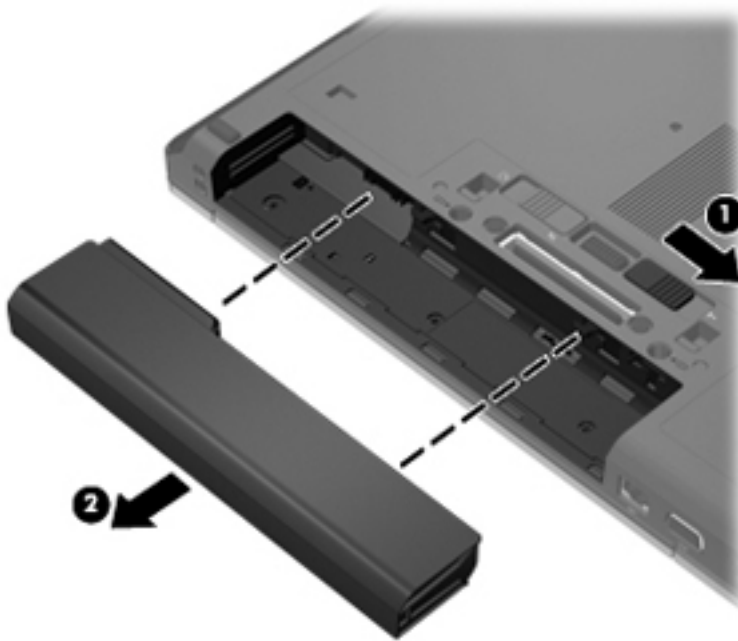
Description	Spare part number
9-cell, 100 WHr, 3.0 Ah Li-ion battery (CC09100-CL)	631243-001
9-cell, 100 WHr, 3.0 Ah Li-ion battery (BB09100-CL)	634087-001
9-cell, 73 WHr, 2.2 Ah Li-ion battery	634089-001
6-cell, 62 WHr, 2.8 Ah, Li-ion battery	628668-001
6-cell, 55 WHr, 2.8 Ah, long life Li-ion battery	628670-001
6-cell, 2.55 Ah Li-ion battery (1-year warranty)	659083-001
3-cell, 31 WHr, 2.8 Ah Li-ion battery	628664-001

Before disassembling the computer, follow these steps:

1. Shut down the computer. If you are unsure whether the computer is off or in Hibernation, turn the computer on, and then shut it down through the operating system.
2. Disconnect all external devices connected to the computer.
3. Disconnect the power from the computer by first unplugging the power cord from the AC outlet, and then unplugging the AC adapter from the computer.


Remove the battery:


1. Position the computer upside-down on a flat surface, with the battery bay toward you.
2. Slide the battery release latch **(1)** to release the battery.
3. Remove the battery **(2)** from the computer.



Install the battery by inserting it into the battery bay until you hear a click.

SIM

 **NOTE:** This section applies only to computer models with WWAN capability.

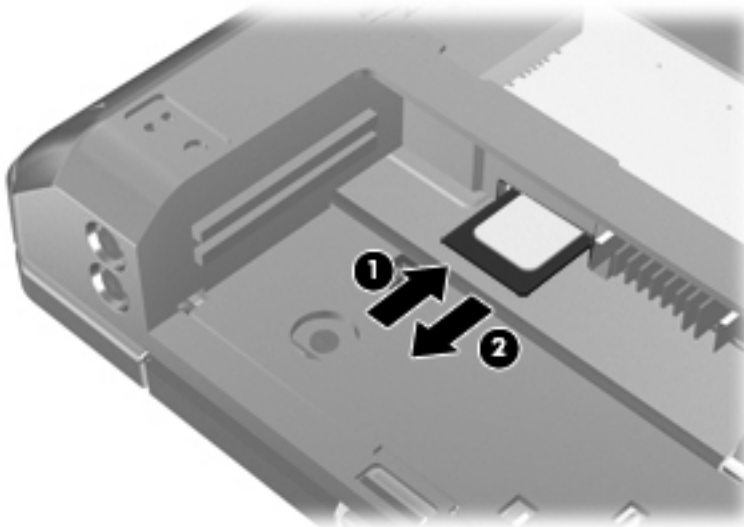
 **NOTE:** If there is a SIM inserted in the SIM slot, it must be removed before disassembling the computer. Be sure that the SIM is reinserted in the SIM slot after reassembling the computer.

Before removing the SIM, follow these steps:

1. Shut down the computer. If you are unsure whether the computer is off or in Hibernation, turn the computer on, and then shut it down through the operating system.
2. Disconnect all external devices connected to the computer.
3. Disconnect the power from the computer by first unplugging the power cord from the AC outlet, and then unplugging the AC adapter from the computer.
4. Remove the battery (see [Battery on page 63](#)).

Remove the SIM:

1. Press in on the SIM **(1)**. (The module is partially ejected from the SIM slot.)
2. Remove the SIM **(2)** from the SIM slot.



Reverse this procedure to install the SIM.

Display assembly components (panel, bezel, webcam, microphone)

All display assemblies include WLAN antenna transceivers and cables. WWAN models also include 2 WWAN antenna transceivers and cables.

Full hinge-up displays are not spared.

This section describes removing components that do not require that you entirely remove the display assembly from the computer. You can remove the display bezel, webcam/microphone module, and display panel with the display assembly still attached to the computer.

To remove the remaining display components, including the display brackets, antennas, cable, and enclosure, you must remove the entire display assembly from the computer. See [Display assembly components \(cable, antennas, hinges, enclosure\) on page 110](#) for more information about removing the remaining components.

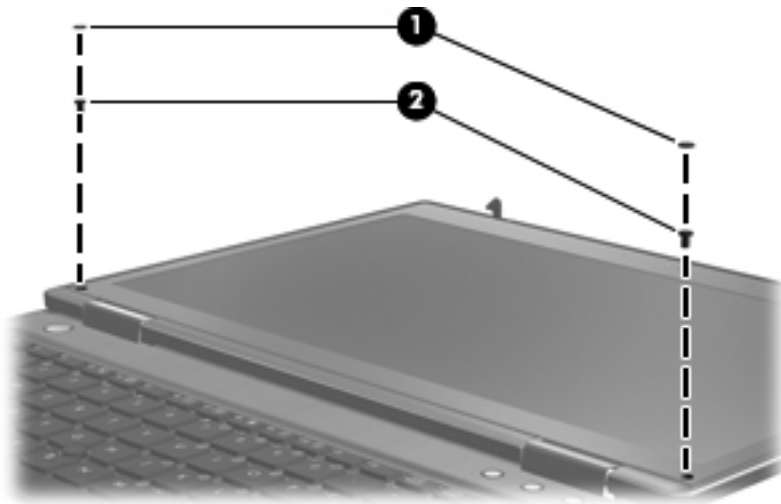
Description	Spare part number
Display panels	
For use with HP ProBook 6460b models	
<ul style="list-style-type: none">35.6-cm (14.0-in), HD+, anti-glare, LED, LVDS (does not include cable)	643915-001
<ul style="list-style-type: none">35.6-cm (14.0-in), HD anti-glare, LED, SVA, LVDS (does not include cable)	643914-001
For use with HP EliteBook 8460p/w models	
<ul style="list-style-type: none">35.6-cm (14.0-in), HD, anti-glare, LED, LVDS (does not include cable)	653039-001
<ul style="list-style-type: none">35.6-cm (14.0-in), HD+ anti-glare, LED, SVA, LVDS (does not include cable)	653040-001
Display bezels	
For use with HP ProBook 6460b models with or without a webcam	643918-001
For use with HP EliteBook 8460p models with or without a webcam	643919-001
For use with HP EliteBook 8460w models with or without a webcam	643920-001
Webcam module with microphone	
For use in HP ProBook 6460b models	642795-001
For use in HP EliteBook 8460p/w models	642796-001
Microphone modules	
For use in HP ProBook 6460b models	642797-001
For use in HP EliteBook 8460p/w models	642798-001
Display Screw Kit	
For use in HP ProBook 6460b models	642787-001
For use in HP EliteBook 8460p/w models	642788-001
Display Rubber Kit	642785-001

Before removing the display panel, follow these steps:

1. Shut down the computer. If you are unsure whether the computer is off or in Hibernation, turn the computer on, and then shut it down through the operating system.
2. Disconnect all external devices connected to the computer.
3. Disconnect the power from the computer by first unplugging the power cord from the AC outlet, and then unplugging the AC adapter from the computer.
4. Remove the battery (see [Battery on page 63](#)).

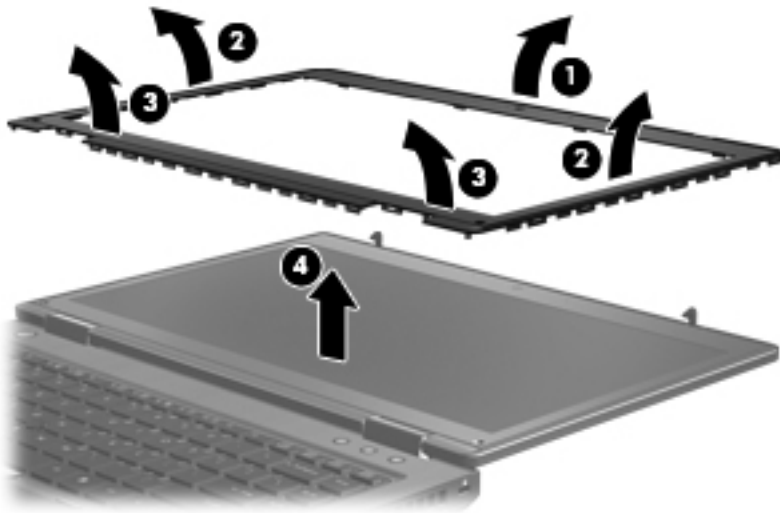
Remove the display assembly components:

1. Position the computer upright, with the front toward you.
2. Open the computer as far as possible.
3. To remove the display bezel, remove the two rubber screw covers **(1)** and the two Phillips PM2.5×5.0 screws **(2)** in the bottom corners of the display bezel.

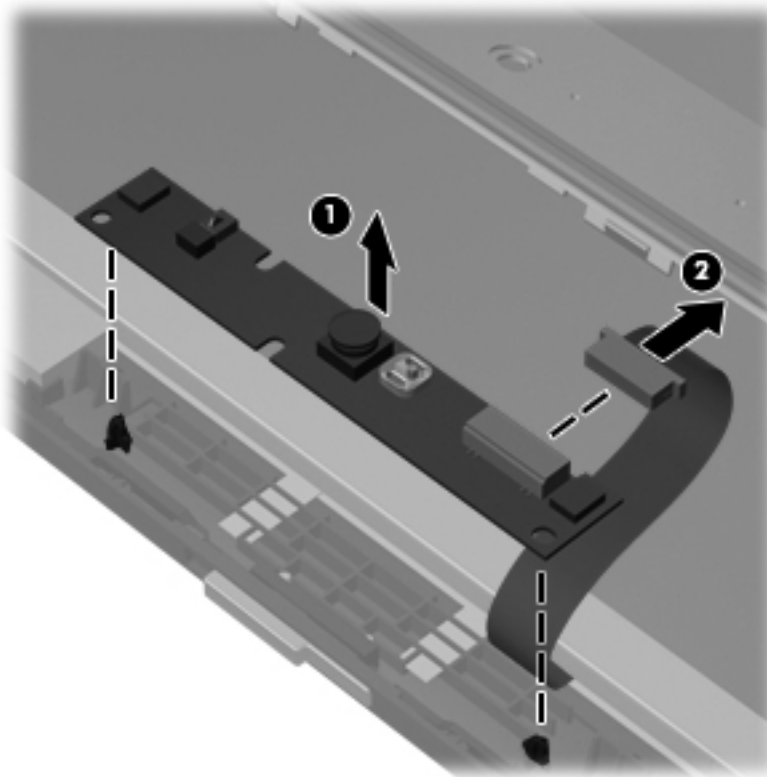


4. Flex the top **(1)** of the bezel, the inside edges of the left and right sides **(2)**, and then the bottom **(3)** of the bezel until it disengages from the display enclosure.

5. Remove the display bezel (4).

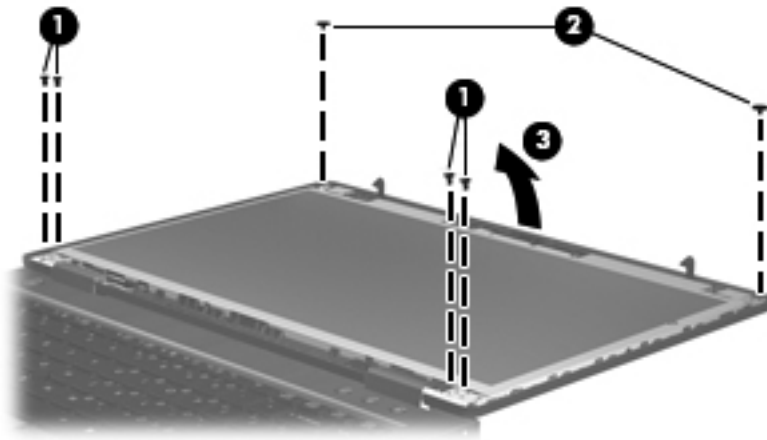


6. If it is necessary to replace the webcam module, gently pull the module away from the double-sided tape on the display enclosure (1), disconnect the webcam cable from the module (2), and then remove the webcam.

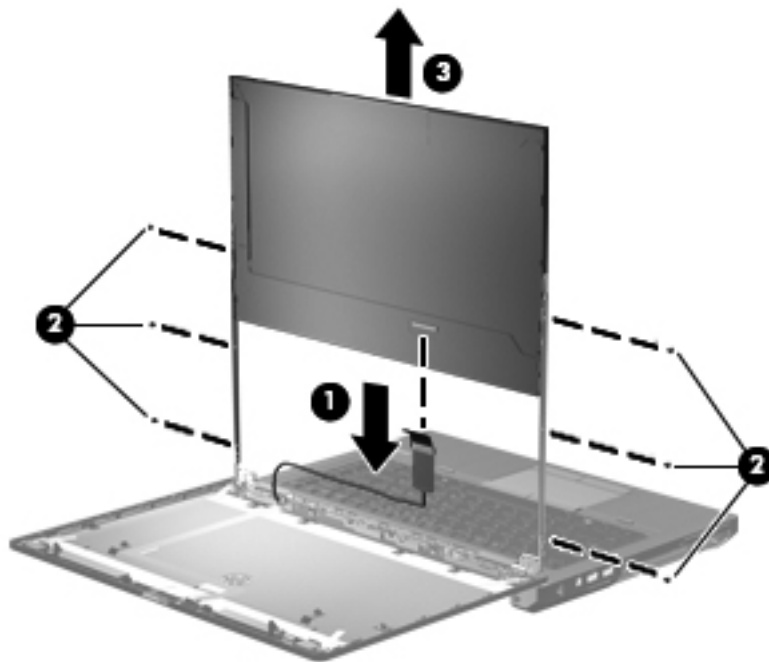


7. If it is necessary to replace the display panel, remove the four Phillips PM2.5×5.0 screws (1) at the bottom of the display panel.
8. Remove the two broadhead Phillips PM2.0×4.0 screws (2) at the top of the display panel.

9. Pivot the display panel upward until it sits at a 90 degree angle (3).

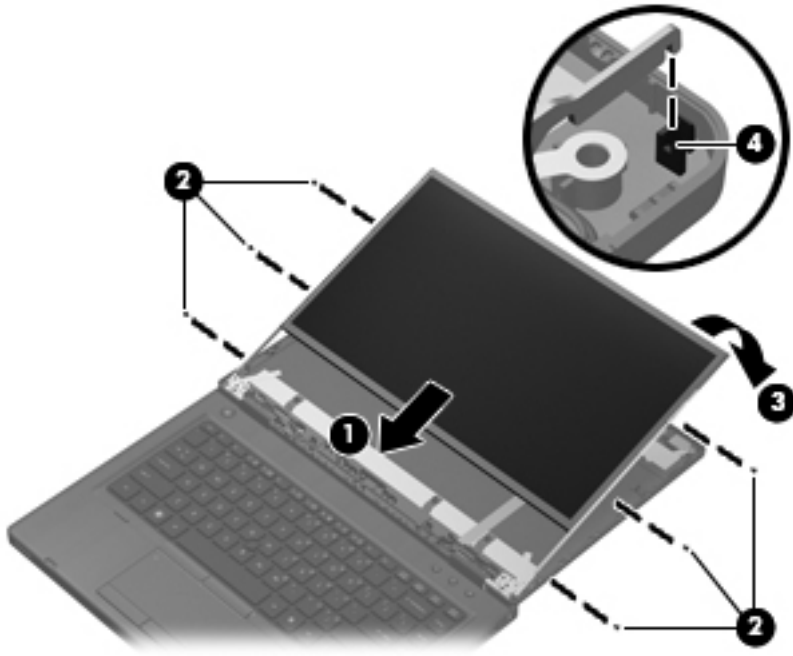


10. Disconnect the display panel cable from the back of the display panel (1).
11. Remove the six Phillips PM2.5×5.0 screws (2) that secure the display panel to the brackets.
12. Slide the display panel up and out of the hinges (3).



Reverse this procedure to reassemble and install the display assembly components.

When replacing the display panel, after connecting the display cable, slide the panel into the bracket (1), replace the screws (2), and then rotate the panel assembly downward so it lies flat in the enclosure (3). Make sure to insert the display panel brackets into the notches in the corners of the display enclosure (4).



Bottom door

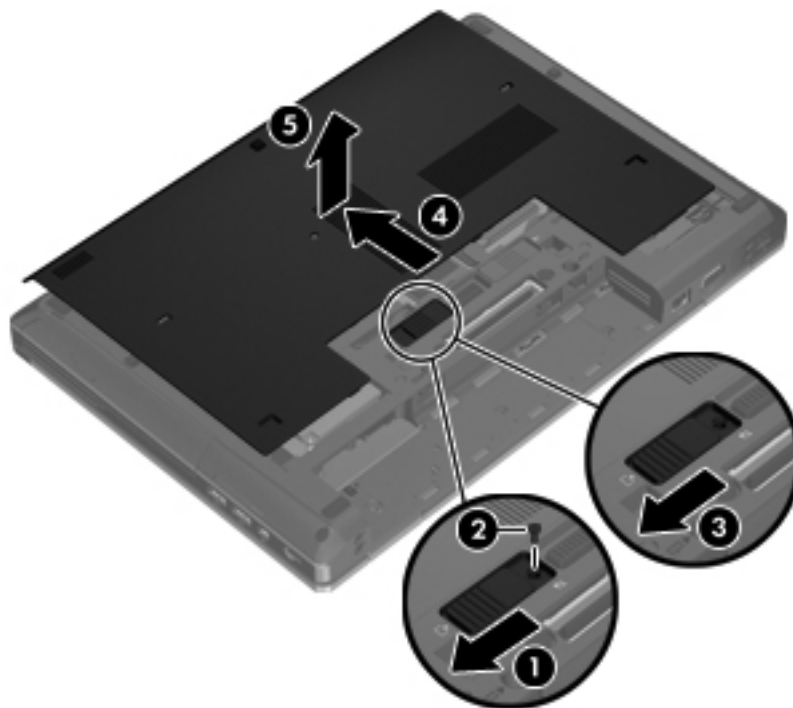
The bottom door is available in the Plastics Kit, spare part number 641832-001 for HP ProBook 6460b models and 642804-001 for HP EliteBook 8460p/w models.

Before disassembling the computer, follow these steps:

1. Shut down the computer. If you are unsure whether the computer is off or in Hibernation, turn the computer on, and then shut it down through the operating system.
2. Disconnect all external devices connected to the computer.
3. Disconnect the power from the computer by first unplugging the power cord from the AC outlet, and then unplugging the AC adapter from the computer.
4. Remove the battery (see [Battery on page 63](#)).

Remove the bottom door:

1. Position the computer upside-down on a flat surface, with the battery bay toward you.
2. Slide the release latch **(1)** and remove the locking screw (if installed) **(2)**.
3. Slide the release latch **(3)** to disengage the door from the computer.
4. Slide the door toward the front of the computer **(4)**, and then lift the door off the computer **(5)**.



Reverse the removal procedures to install the bottom door.

Smart card reader

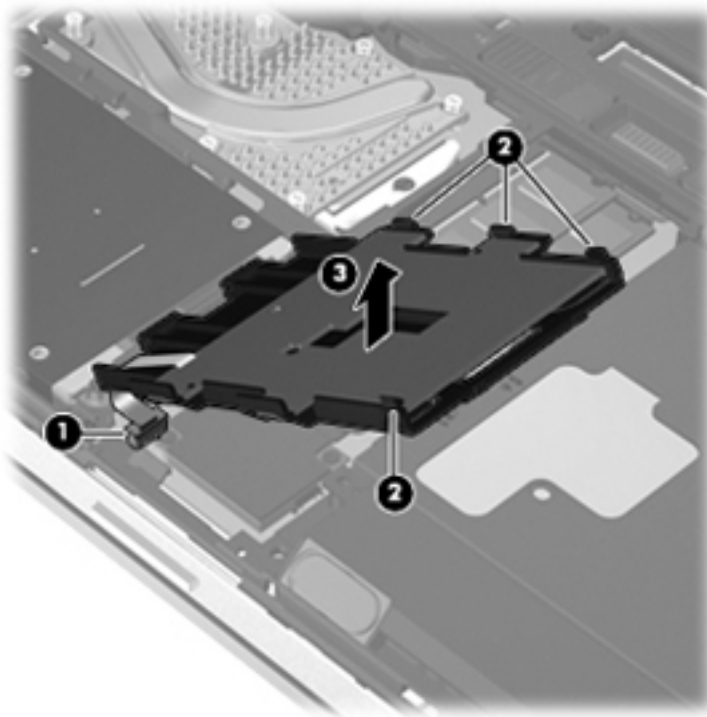
Description	Spare part number
Smart card reader assembly for use in 8460p/w models	642769-001
Smart card reader assembly for use in 6460b models	654823-001

Before removing the smart card reader assembly, follow these steps:

1. Shut down the computer. If you are unsure whether the computer is off or in Hibernation, turn the computer on, and then shut it down through the operating system.
2. Disconnect all external devices connected to the computer.
3. Disconnect the power from the computer by first unplugging the power cord from the AC outlet, and then unplugging the AC adapter from the computer.
4. Remove the battery (see [Battery on page 63](#)).
5. Remove the bottom door (see [Bottom door on page 70](#)).

Remove the smart card reader assembly:

1. Position the bottom cover upside-down with the front toward you.
2. Disconnect the cable from the system board connector **(1)**.
3. Flex the tabs **(2)** that secure the board to the plastic holder, and then remove the board from the plastic holder **(3)**.



Reverse this procedure to install the smart card reader assembly.

Optical drive

Description	Spare part number
For use in 6460b/8460p models:	
Blu-ray BD-R/RE DVD±RW SuperMulti DL Drive	643912-001
Blu-ray ROM DVD±RW SuperMulti DL Drive	643913-001
DVD±RW and CD-RW SuperMulti DL Combo Drive	643911-001
DVD-ROM Drive	643910-001
For use in 8460w models:	
Blu-ray ROM DVD±RW SuperMulti DL Drive	659769-001
DVD±RW and CD-RW SuperMulti DL Combo Drive	659767-001
DVD-ROM Drive	659766-001

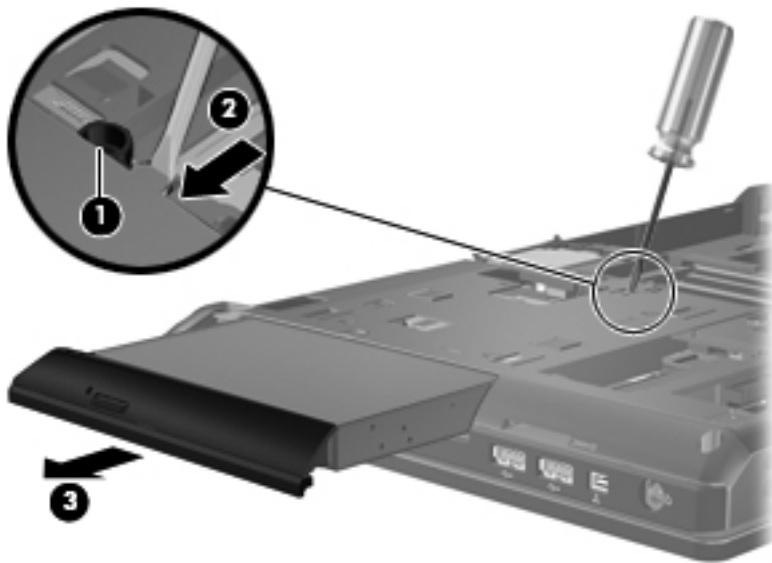
Before removing the optical drive, follow these steps:

1. Shut down the computer. If you are unsure whether the computer is off or in Hibernation, turn the computer on, and then shut it down through the operating system.
2. Disconnect all external devices connected to the computer.
3. Disconnect the power from the computer by first unplugging the power cord from the AC outlet, and then unplugging the AC adapter from the computer.
4. Remove the battery (see [Battery on page 63](#)).
5. Remove the bottom door (see [Bottom door on page 70](#)).

Remove the optical drive:

1. Position the computer upside-down with the right side toward you.
2. Loosen the captive Phillips screw **(1)** that secures the optical drive to the computer.
3. Push the optical drive tab **(2)** to release the optical drive from the computer.

4. Remove the optical drive **(3)** from the computer.



5. If it is necessary to replace the optical drive bracket, position the optical drive with the rear toward you.
6. Remove the three Phillips PM2.0×3.0 screws **(1)** that secure the optical drive bracket to the optical drive.
7. Remove the optical drive bracket **(2)**.



Reverse this procedure to install an optical drive.

Upgrade bay

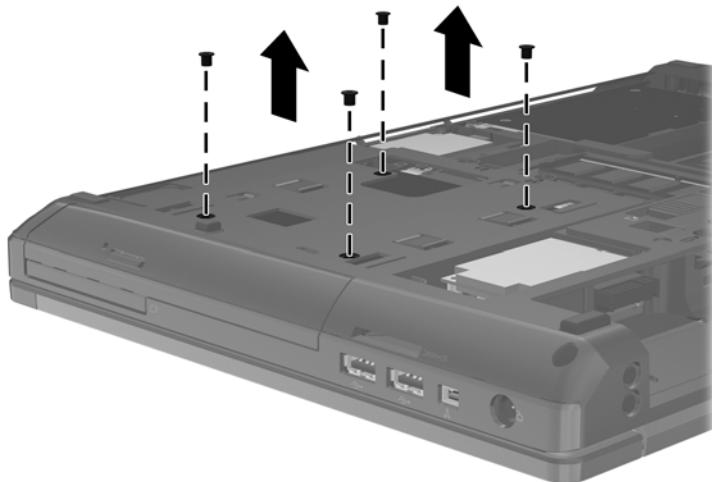
Description	Spare part number
Upgrade Bay – Hard Drive Adapter Kit	643921-001
500-GB, 7200-rpm (for use in the upgrade bay)	656424-001
320-GB, 7200-rpm Self-Encrypting Drive (SED) hard drive	626978-001

Before removing a drive from the upgrade bay, follow these steps:

1. Shut down the computer. If you are unsure whether the computer is off or in Hibernation, turn the computer on, and then shut it down through the operating system.
2. Disconnect all external devices connected to the computer.
3. Disconnect the power from the computer by first unplugging the power cord from the AC outlet, and then unplugging the AC adapter from the computer.
4. Remove the battery (see [Battery on page 63](#)).
5. Remove the bottom door (see [Bottom door on page 70](#)).

Remove the drive from the upgrade bay:

1. Position the computer upside-down with the right side toward you.
2. Remove the four Phillips PM2.0×4.0 screws that secure the drive assembly into the upgrade bay.



3. Loosen the captive Phillips screw that secures the drive in the bay **(1)**.
4. Push the drive tab **(2)** to release the drive from the computer.

5. Remove the drive assembly (3) from the computer.



Reverse this procedure to install the hard drive into the upgrade bay.

Hard drive



NOTE: All hard drive spare part kits include a hard drive bracket and screws.

Description	Spare part number
750-GB, 7200-rpm hard drive	633252-001
640-GB, 5400-rpm hard drive	637312-001
500-GB, 7200-rpm hard drive	634919-001
500-GB, 7200-rpm hard drive (for use in the upgrade bay)	656424-001
500-GB, 5400-rpm hard drive	634932-001
320-GB, 7200-rpm, Self-Encrypting Drive (SED) hard drive	626978-001
320-GB, 7200-rpm hard drive	627731-001
320-GB, 5400-rpm hard drive	622643-001
250-GB, 7200-rpm hard drive	635225-001
256-GB solid-state drive	669684-001
256-GB solid-state drive, Self-Encrypting Drive (SED)	684565-001
256-GB solid-state drive, SATA III	681123-001
160-GB solid-state drive	643916-001
128-GB solid-state drive	643917-001
128-GB solid-state drive, SATA III	681122-001
120-GB solid-state drive	669685-001
Upgrade Bay - Hard Drive Adapter Kit	643921-001

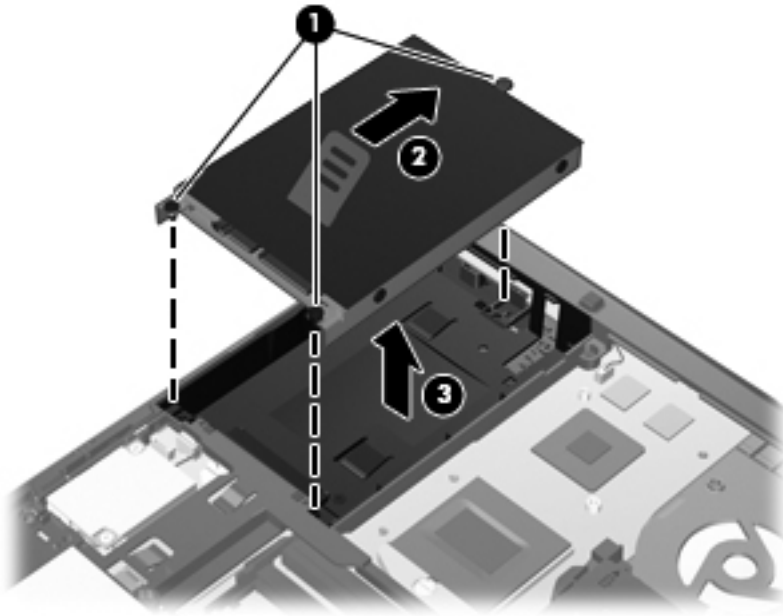
Before disassembling the computer, follow these steps:

1. Shut down the computer. If you are unsure whether the computer is off or in Hibernation, turn the computer on, and then shut it down through the operating system.
2. Disconnect all external devices connected to the computer.
3. Disconnect the power from the computer by first unplugging the power cord from the AC outlet, and then unplugging the AC adapter from the computer.
4. Remove the battery (see [Battery on page 63](#)).
5. Remove the bottom door (see [Bottom door on page 70](#)).

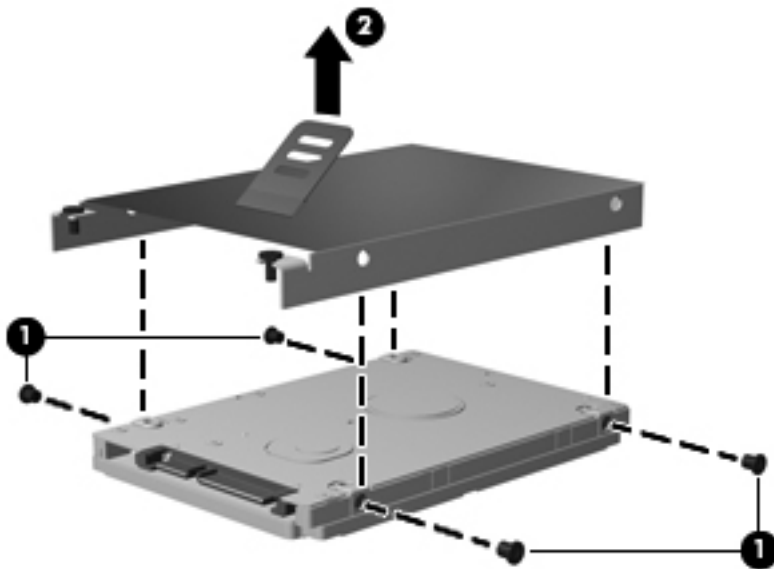
Remove the hard drive:

1. Position the computer upside-down, with the battery bay toward you.
2. If necessary, lift the smart card reader out of the way.
3. Loosen the three captive Phillips screws **(1)** that secure the hard drive to the computer.

4. Grasp the Mylar tab on the hard drive and slide the hard drive to the right **(2)** to disconnect it from the system board connector.
5. Remove the hard drive **(3)** from the hard drive bay.



6. If it is necessary to replace the hard drive bracket, remove the two Phillips PM3.0×5.0 hard drive bracket screws **(1)** from each side of the hard drive (4 total screws).
7. Lift the bracket **(2)** straight up to remove it from the hard drive.



Reverse this procedure to reassemble and install the hard drive.

RTC battery

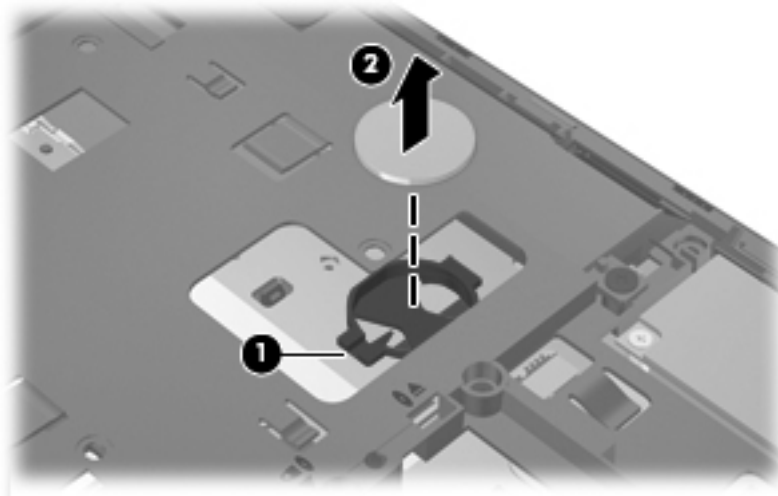
Description	Spare part number
RTC battery	651948-001

Before removing the RTC battery, follow these steps:

1. Shut down the computer. If you are unsure whether the computer is off or in Hibernation, turn the computer on, and then shut it down through the operating system.
2. Disconnect all external devices connected to the computer.
3. Disconnect the power from the computer by first unplugging the power cord from the AC outlet, and then unplugging the AC adapter from the computer.
4. Remove the battery (see [Battery on page 63](#)).
5. Remove the bottom door (see [Bottom door on page 70](#)).


Remove the RTC battery:

1. Position the computer upside-down, with the front toward you.
2. Insert a small tool into the slot **(1)** to disengage the battery from the socket.
3. Remove the battery from the computer **(2)**.



Reverse this procedure to install the RTC battery.


Memory modules

 **NOTE:** Primary and expansion memory is installed in a stacked configuration in the bottom of the computer.

Description	Spare part number
2-GB (PC3-10600, 1333-MHz, DDR3)	621565-001
4-GB (PC3-10600, 1333-MHz, DDR3)	621569-001
8-GB (PC3-10600, 1333-MHz, DDR3)	634091-001

Update BIOS before adding memory modules

Before adding new memory, make sure you update the computer to the latest BIOS.

 **CAUTION:** Failure to update the computer to the latest BIOS prior to installing new memory may result in various system problems.

To update BIOS:

1. Navigate to www.hp.com.
2. Click **Support & Drivers** > click **Drivers & Software**.
3. In the **Enter a product name/number** box, type the computer model information, and then click **Search**.
4. Click the link for the computer model.
5. Select the operating system, and then click **Next**.
6. Under **Step 2: Select a Download**, click the **BIOS** link.
7. Click the link for the most recent BIOS.
8. Click the **Download** button, and then follow the on-screen instructions.


Before removing the memory module, follow these steps:


1. Shut down the computer. If you are unsure whether the computer is off or in Hibernation, turn the computer on, and then shut it down through the operating system.
2. Disconnect all external devices connected to the computer.
3. Disconnect the power from the computer by first unplugging the power cord from the AC outlet, and then unplugging the AC adapter from the computer.
4. Remove the battery (see [Battery on page 63](#)).
5. Remove the bottom door (see [Bottom door on page 70](#)).

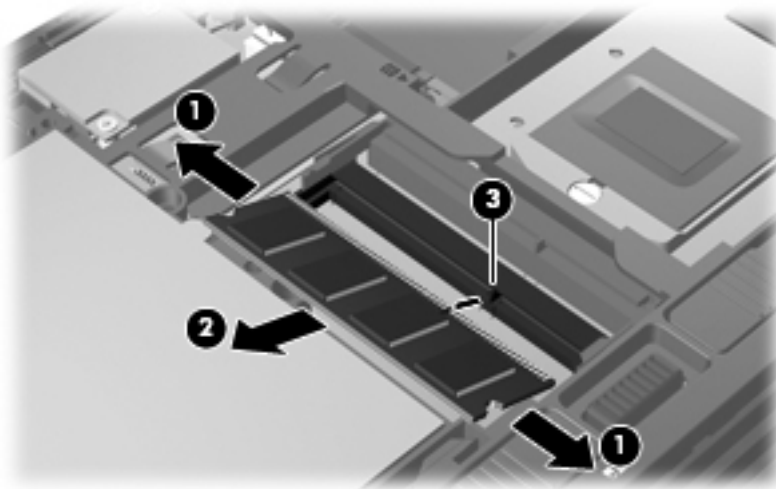
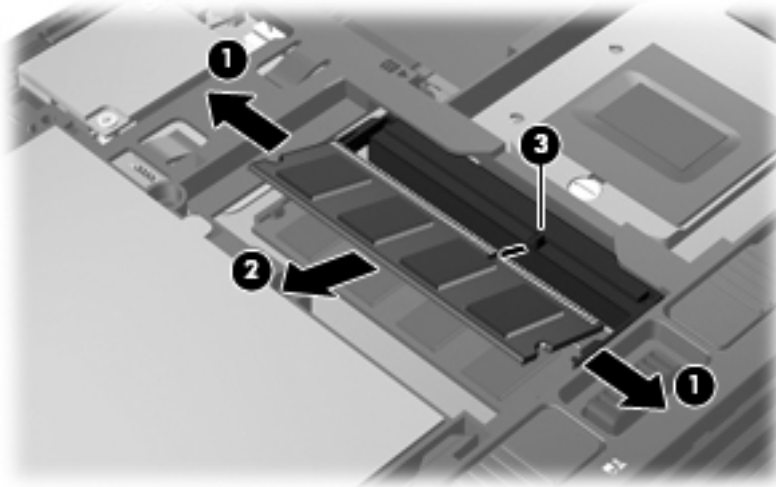
Remove the memory module:

1. Position the computer upside-down with the battery bay toward you.
2. Spread the retaining tabs **(1)** on each side of the memory module slot to release the memory module. (The edge of the module opposite the slot rises away from the computer.)

3. Remove the memory module (2) by pulling the module away from the slot at an angle.


 **NOTE:** Memory modules are designed with a notch (3) to prevent incorrect insertion into the memory module slot.

 **NOTE:** The computer uses two memory slots. The top slot houses the expansion memory module and is shown in the first image below. The bottom slot houses the primary memory module and is shown in the second image below.



Reverse this procedure to install a memory module.

WWAN module

 **CAUTION:** The WWAN module and the WLAN module are not interchangeable.

Description	Spare part number
HP hs2340 HSPA+ Mobile Broadband Module	632155-001
HP un2430 EV-DO/HSPA Mobile Broadband Module	634400-001
HP It2510 EV-DO/LTE Mobile Broadband Module	634513-001

Before removing the WWAN module, follow these steps:

1. Shut down the computer. If you are unsure whether the computer is off or in Hibernation, turn the computer on, and then shut it down through the operating system.
2. Disconnect all external devices connected to the computer.
3. Disconnect the power from the computer by first unplugging the power cord from the AC outlet, and then unplugging the AC adapter from the computer.
4. Remove the battery (see [Battery on page 63](#)).
5. Remove the SIM (see [SIM on page 64](#)).
6. Remove the bottom door (see [Bottom door on page 70](#)).

Remove the WWAN module:

1. Disconnect the WWAN antenna cables **(1)** from the terminals on the WWAN module.



NOTE: The red WWAN antenna cable is connected to the WWAN module “Main” terminal. The blue WWAN antenna cable is connected to the WWAN module “Aux” terminal.

2. Remove the two Phillips PM2.0×3.0 screws **(2)** that secure the WWAN module to the computer. (The edge of the module opposite the slot rises away from the computer.)

3. Remove the WWAN module (3) by pulling the module away from the slot at an angle.


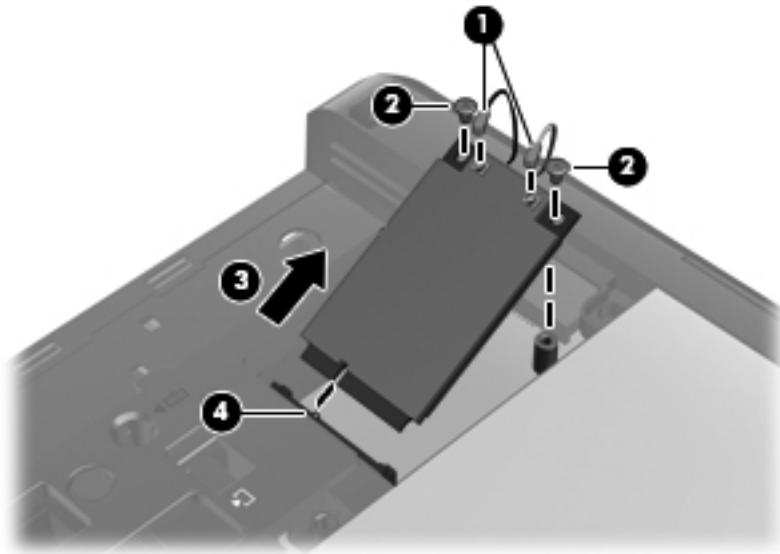

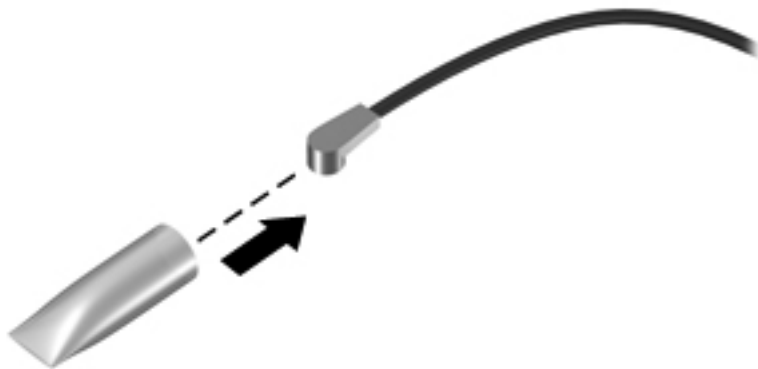
 **NOTE:** WWAN modules are designed with a notch (4) to prevent incorrect insertion.

Figure 4-1 Removing the WWAN module




 **NOTE:** If the WWAN antennas are not connected to the terminals on the WWAN module, the protective sleeves must be installed on the antenna connectors, as shown in the following illustration.



Reverse this procedure to install the WWAN module.

WLAN module

 **CAUTION:** The WLAN module and the WWAN module are not interchangeable.

Description	Spare part number
Intel Wi-Fi Link 6300, 802.11a/b/g/n WLAN module for use in Andorra, Antigua and Barbuda, Argentina, Aruba, Australia, Austria, Azerbaijan, Bahamas, Bahrain, Barbados, Belgium, Bermuda, Bolivia, Bosnia and Herzegovina, Brazil, Brunei, Bulgaria, Canada, Cayman Islands, Chile, the People's Republic of China, Colombia, Costa Rica, Croatia, Cyprus, Czech Republic, Denmark, Dominican Republic, Ecuador, Egypt, El Salvador, Estonia, Finland, France, French Guiana, Georgia, Germany, Ghana, Greece, Guadeloupe, Guam, Guatemala, Haiti, Honduras, Hong Kong, Hungary, Iceland, India, Indonesia, Ireland, Israel, Italy, Ivory Coast, Jamaica, Japan, Jordan, Kenya, South Korea, Kuwait, Kyrgyzstan, Latvia, Lebanon, Martinique, US Virgin Islands, Puerto Rico, Nether Antilles, Liechtenstein, Lithuania, Luxembourg, Malawi, Malaysia, Malta, Mauritius, Mexico, Monaco, Montenegro, Morocco, the Netherlands, New Zealand, Nicaragua, Nigeria, Norway, Oman, Pakistan, Panama, Paraguay, Peru, Philippines, Poland, Portugal, Qatar, Romania, San Marino, Saudi Arabia, Senegal, Singapore, Slovakia, Slovenia, South Africa, Spain, Sri Lanka, Sweden, Switzerland, Taiwan, Tanzania, Thailand, Trinidad and Tobago, Turkey, the United Arab Emirates, the United Kingdom, the United States, Uruguay, Venezuela, and Vietnam	572511-001
Broadcom 43224AGN 802.11a/b/g/draft-n WiFi Adapter for use in Antigua and Barbuda, Aruba, the Bahamas, Barbados, Belize, Canada, Guam, Guinea, Haiti, Jamaica, the Nether Antilles, Puerto Rico, St. Kitts and Nevis, St. Lucia, St. Vincent and the Grenadines, Suriname, the US Virgin Islands, and the United States	582564-001
Broadcom 43224AGN 802.11a/b/g/draft-n WiFi Adapter for use in Albania, Algeria, Andorra, Angola, Argentina, Armenia, Australia, Austria, Azerbaijan, Bahrain, Belarus, Belgium, Benin, Bermuda, Bhutan, Bolivia, Bosnia and Herzegovina, Botswana, Brazil, the British Virgin Islands, Brunei, Bulgaria, Burkina Faso, Burundi, Cambodia, Cameroon, Cape Verde, the Cayman Islands, Central African Republic, Chad, Chile, People's Republic of China, Colombia, Comoros, Congo, Costa Rica, Croatia, Cyprus, the Czech Republic, Denmark, Djibouti, Dominica, the Dominican Republic, East Timor, Ecuador, Egypt, El Salvador, Equatorial Guinea, Eritrea, Estonia, Ethiopia, Fiji, Finland, France, French Guiana, Gabon, Gambia, Georgia, Germany, Ghana, Gibraltar, Greece, Grenada, Guadeloupe, Guatemala, Guinea, Guinea-Bissa, Honduras, Hong Kong, Hungary, Iceland, India, Ireland, Italy, Ivory Coast, Japan, Jordan, Kazakhstan, Kenya, Kiribati, Kuwait, Kyrgyzstan, Laos, Latvia, Lebanon, Lesotho, Liberia, Liechtenstein, Lithuania, Luxembourg, Macedonia, Madagascar, Malawi, Malaysia, Maldives, Mali, Malta, Marshall Islands, Martinique, Mauritania, Mauritius, Mexico, Micronesia, Monaco, Mongolia, Montenegro, Morocco, Mozambique, Namibia, Nauru, Nepal, Netherlands, New Zealand, Nicaragua, Niger, Nigeria, Norway, Oman, Palau, Panama, Papua New Guinea, Paraguay, Peru, Philippines, Poland, Portugal, Qatar, Republic of Moldova, Romania, Rwanda, Samoa, San Marino, Sao Tome and Principe, Saudi Arabia, Senegal, Serbia and Montenegro, Seychelles, Sierra Leone, Singapore, Slovakia, Slovenia, Solomon Islands, Somalia, South Africa, South Korea, Spain, Sri Lanka, Swaziland, Sweden, Switzerland, Taiwan, Tajikistan, Tanzania, Thailand, Togo, Tonga, Trinidad and Tobago, Tunisia, Turkey, Turkmenistan, Tuvalu, Uganda, United Arab Emirates, United Kingdom, Uruguay, Uzbekistan, Vanuatu, Venezuela, Vietnam, Yemen, Zaire, Zambia, and Zimbabwe	582564-002

Description	Spare part number
<p>Broadcom 4313AGN 802.11a/b/g/draft-n WiFi Adapter for use in Afghanistan, Albania, Algeria, Andorra, Angola, Antigua and Barbuda, Argentina, Armenia, Aruba, Australia, Austria, Azerbaijan, Bahamas, Bahrain, Bangladesh, Barbados, Belarus, Belgium, Belize, Benin, Bermuda, Bhutan, Bolivia, Bosnia and Herzegovina, Botswana, Brazil, the British Virgin Islands, Brunei, Bulgaria, Burkina Faso, Burundi, Cambodia, Cameroon, Canada, Cape Verde, the Cayman Islands, Central African Republic, Chad, People's Republic of China, Colombia, Comoros, Congo, Costa Rica, Croatia, Cyprus, the Czech Republic, Denmark, Djibouti, Dominica, the Dominican Republic, East Timor, Ecuador, Egypt, El Salvador, Equatorial Guinea, Eritrea, Estonia, Ethiopia, Fiji, Finland, France, French Guiana, Gabon, Gambia, Georgia, Germany, Ghana, Gibraltar, Greece, Grenada, Guadeloupe, Guam, Guatemala, Guinea, Guinea-Bissa, Guyana, Haiti, Honduras, Hong Kong, Hungary, Iceland, India, Iraq, Ireland, Israel, Italy, Ivory Coast, Jamaica, Japan, Jordan, Kazakhstan, Kenya, Kiribati, Kuwait, Kyrgyzstan, Laos, Latvia, Lebanon, Lesotho, Liberia, Martinique, Liechtenstein, Lithuania, Luxembourg, Macedonia, Madagascar, Malawi, Malaysia, Maldives, Mali, Malta, Marshall Islands, Mauritania, Mauritius, Mexico, Micronesia, Monaco, Mongolia, Montenegro, Morocco, Mozambique, Namibia, Nauru, Nepal, the Nether Antilles, the Netherlands, New Zealand, Nicaragua, Niger, Nigeria, Norway, Oman, Pakistan, Palau, Panama, Papua New Guinea, Paraguay, Puerto Rico, Peru, Philippines, Poland, Portugal, Qatar, Republic of Moldova, Romania, Russia, Rwanda, Samoa, San Marino, Sao Tome and Principe, Saudi Arabia, Senegal, Serbia and Montenegro, Seychelles, Sierra Leone, Singapore, Slovakia, Slovenia, Solomon Islands, Somalia, South Africa, South Korea, Spain, Sri Lanka, St. Kitts and Nevis, St. Lucia, St. Vincent and the Grenadines, Suriname, Swaziland, Sweden, Switzerland, Syria, Taiwan, Tajikistan, Tanzania, Thailand, Togo, Tonga, Trinidad and Tobago, Tunisia, Turkey, Turkmenistan, Tuvalu, Uganda, Ukraine, the United Arab Emirates, the United Kingdom, Uruguay, the United States, the US Virgin Islands, Uzbekistan, Vanuatu, Venezuela, Vietnam, Yemen, Zaire, Zambia, and Zimbabwe</p>	593836-001
<p>Intel Wi-Fi Link 1000 for use in Andorra, Antigua and Barbuda, Argentina, Aruba, Australia, Austria, Azerbaijan, Bahamas, Bahrain, Barbados, Belgium, Bermuda, Bolivia, Bosnia and Herzegovina, Brazil, Brunei, Bulgaria, Canada, the Cayman Islands, Chile, People's Republic of China, Colombia, Costa Rica, Croatia, Cyprus, the Czech Republic, Denmark, the Dominican Republic, Ecuador, Egypt, El Salvador, Estonia, Finland, France, French Guiana, Georgia, Germany, Ghana, Greece, Guadeloupe, Guam, Guatemala, Haiti, Honduras, Hong Kong, Hungary, Iceland, India, Indonesia, Ireland, Israel, Italy, Ivory Coast, Jamaica, Japan, Jordan, Kenya, Kuwait, Kyrgyzstan, Latvia, Lebanon, Liechtenstein, Lithuania, Luxembourg, Malawi, Malaysia, Malta, Martinique, Mauritius, Mexico, Monaco, Montenegro, Morocco, the Nether Antilles, Netherlands, New Zealand, Nicaragua, Nigeria, Norway, Oman, Pakistan, Panama, Paraguay, Peru, Philippines, Poland, Portugal, Puerto Rico, Qatar, Romania, San Marino, Saudi Arabia, Senegal, Singapore, Slovakia, Slovenia, South Africa, South Korea, Spain, Sri Lanka, Sweden, Switzerland, Taiwan, Tanzania, Thailand, Trinidad and Tobago, Turkey, Ukraine, United Arab Emirates, United Kingdom, Uruguay, the US Virgin Islands, the United States, Venezuela, and Vietnam</p>	593530-001

Description	Spare part number
<p>Atheros HB112AGN 802.11a/b/g/n 3x3 WiFi Adapter for use in Afghanistan, Albania, Algeria, Andorra, Angola, Antigua and Barbuda, Argentina, Armenia, Aruba, Australia, Austria, Azerbaijan, Bahamas, Bahrain, Bangladesh, Barbados, Belarus, Belgium, Belize, Benin, Bermuda, Bhutan, Bolivia, Bosnia and Herzegovina, Botswana, Brazil, the British Virgin Islands, Brunei, Bulgaria, Burkina Faso, Burundi, Cambodia, Cameroon, Canada, Cape Verde, the Cayman Islands, Central African Republic, Chad, People's Republic of China, Colombia, Comoros, Congo, Costa Rica, Croatia, Cyprus, the Czech Republic, Denmark, Djibouti, Dominica, the Dominican Republic, East Timor, Ecuador, Egypt, El Salvador, Equatorial Guinea, Eritrea, Estonia, Ethiopia, Fiji, Finland, France, French Guiana, Gabon, Gambia, Georgia, Germany, Ghana, Gibraltar, Greece, Grenada, Guadeloupe, Guam, Guatemala, Guinea, Guinea-Bissa, Guyana, Haiti, Honduras, Hong Kong, Hungary, Iceland, India, Iraq, Ireland, Israel, Italy, Ivory Coast, Jamaica, Japan, Jordan, Kazakhstan, Kenya, Kiribati, Kuwait, Kyrgyzstan, Laos, Latvia, Lebanon, Lesotho, Liberia, Martinique, Liechtenstein, Lithuania, Luxembourg, Macedonia, Madagascar, Malawi, Malaysia, Maldives, Mali, Malta, Marshall Islands, Mauritania, Mauritius, Mexico, Micronesia, Monaco, Mongolia, Montenegro, Morocco, Mozambique, Namibia, Nauru, Nepal, the Nether Antilles, the Netherlands, New Zealand, Nicaragua, Niger, Nigeria, Norway, Oman, Pakistan, Palau, Panama, Papua New Guinea, Paraguay, Puerto Rico, Peru, Philippines, Poland, Portugal, Qatar, Republic of Moldova, Romania, Russia, Rwanda, Samoa, San Marino, Sao Tome and Principe, Saudi Arabia, Senegal, Serbia and Montenegro, Seychelles, Sierra Leone, Singapore, Slovakia, Slovenia, Solomon Islands, Somalia, South Africa, South Korea, Spain, Sri Lanka, St. Kitts and Nevis, St. Lucia, St. Vincent and the Grenadines, Suriname, Swaziland, Sweden, Switzerland, Syria, Taiwan, Tajikistan, Tanzania, Thailand, Togo, Tonga, Trinidad and Tobago, Tunisia, Turkey, Turkmenistan, Tuvalu, Uganda, Ukraine, the United Arab Emirates, the United Kingdom, Uruguay, the United States, the US Virgin Islands, Uzbekistan, Vanuatu, Venezuela, Vietnam, Yemen, Zaire, Zambia, and Zimbabwe</p>	630435-001
<p>Intel Centrino Advanced-N 6205 for use in Afghanistan, Albania, Algeria, Andorra, Angola, Antigua and Barbuda, Argentina, Armenia, Australia, Austria, Azerbaijan, Bahamas, Bahrain, Bangladesh, Barbados, Belarus, Belgium, Belize, Benin, Bermuda, Bhutan, Bolivia, Bosnia and Herzegovina, Botswana, Brazil, the British Virgin Islands, Brunei, Bulgaria, Burkina Faso, Burundi, Cambodia, Cameroon, Canada, Cape Verde, the Cayman Islands, Central African Republic, Chad, People's Republic of China, Colombia, Comoros, Congo, Costa Rica, Croatia, Cyprus, the Czech Republic, Denmark, Djibouti, Dominica, the Dominican Republic, East Timor, Ecuador, Egypt, El Salvador, Equatorial Guinea, Eritrea, Estonia, Ethiopia, Fiji, Finland, France, French Guiana, Gabon, Gambia, Georgia, Germany, Ghana, Gibraltar, Greece, Grenada, Guadeloupe, Guam, Guatemala, Guinea, Guinea-Bissa, Guyana, Haiti, Honduras, Hong Kong, Hungary, Iceland, India, Iraq, Ireland, Israel, Italy, Ivory Coast, Jamaica, Japan, Jordan, Kazakhstan, Kenya, Kiribati, Kuwait, Kyrgyzstan, Laos, Latvia, Lebanon, Lesotho, Liberia, Martinique, Liechtenstein, Lithuania, Luxembourg, Macedonia, Madagascar, Malawi, Malaysia, Maldives, Mali, Malta, Marshall Islands, Mauritania, Mauritius, Mexico, Micronesia, Monaco, Mongolia, Montenegro, Morocco, Mozambique, Namibia, Nauru, Nepal, the Nether Antilles, the Netherlands, New Zealand, Nicaragua, Niger, Nigeria, Norway, Oman, Pakistan, Palau, Panama, Papua New Guinea, Paraguay, Puerto Rico, Peru, Philippines, Poland, Portugal, Qatar, Republic of Moldova, Romania, Russia, Rwanda, Samoa, San Marino, Sao Tome and Principe, Saudi Arabia, Senegal, Serbia and Montenegro, Seychelles, Sierra Leone, Singapore, Slovakia, Slovenia, Solomon Islands, Somalia, South Africa, South Korea, Spain, Sri Lanka, St. Kitts and Nevis, St. Lucia, St. Vincent and the Grenadines, Suriname, Swaziland, Sweden, Switzerland, Syria, Taiwan, Tajikistan, Tanzania, Thailand, Togo, Tonga, Trinidad and Tobago, Tunisia, Turkey, Turkmenistan, Tuvalu, Uganda, Ukraine, the United Arab Emirates, the United Kingdom, Uruguay, the United States, the US Virgin Islands, Uzbekistan, Vanuatu, Venezuela, Vietnam, Yemen, Zaire, Zambia, and Zimbabwe</p>	631954-001

Before removing the WLAN module, follow these steps:

1. Shut down the computer. If you are unsure whether the computer is off or in Hibernation, turn the computer on, and then shut it down through the operating system.
2. Disconnect all external devices connected to the computer.

3. Disconnect the power from the computer by first unplugging the power cord from the AC outlet, and then unplugging the AC adapter from the computer.
4. Remove the battery (see [Battery on page 63](#)).
5. Remove the bottom door (see [Bottom door on page 70](#)).

Remove the WLAN module:


1. Position the computer right-side up with the battery bay toward you.
2. Disconnect the WLAN antenna cables **(1)** from the terminals on the WLAN module.

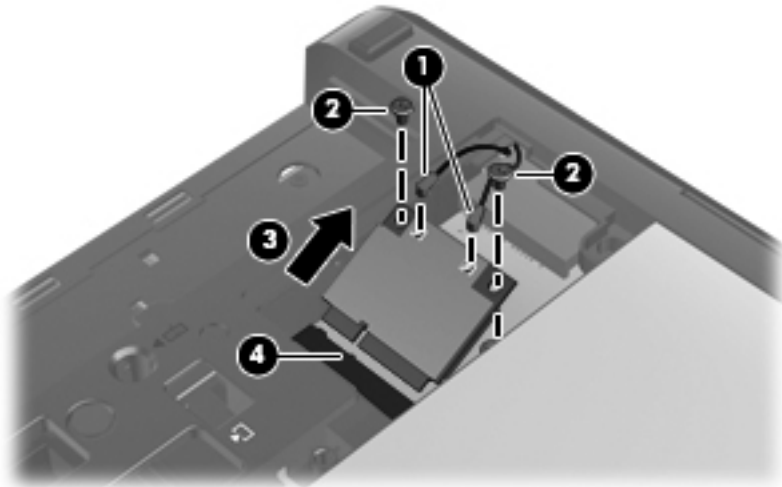



NOTE: The WLAN antenna cable labeled “1” connects to the WLAN module “Main” terminal labeled “1”. The WLAN antenna cable labeled “2” connects to the WLAN module “Aux” terminal labeled “2”. If the computer is equipped with an 802.11a/b/g/n WLAN module, the yellow WLAN antenna cable connects to the middle terminal on the WLAN module.

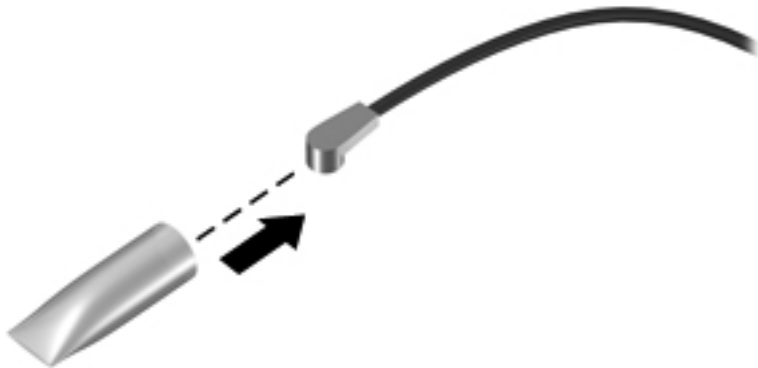
3. Remove the two Phillips PM2.0×3.0 screws **(2)** that secure the WLAN module to the computer. (The edge of the module opposite the slot rises away from the computer.)

4. Remove the WLAN module (3) by pulling the module away from the slot at an angle.

 **NOTE:** WLAN modules are designed with a notch (4) to prevent incorrect insertion.




 **NOTE:** If the WLAN antennas are not connected to the terminals on the WLAN module, the protective sleeves must be installed on the antenna connectors, as shown in the following illustration.



Reverse this procedure to install the WLAN module.

Bluetooth module

 **NOTE:** The Bluetooth module spare part kit does not include a Bluetooth module cable. The Bluetooth module cable is included in the Cable Kit, spare part number 641830-001. See [Cable Kit on page 39](#) for more Cable Kit spare part number information.

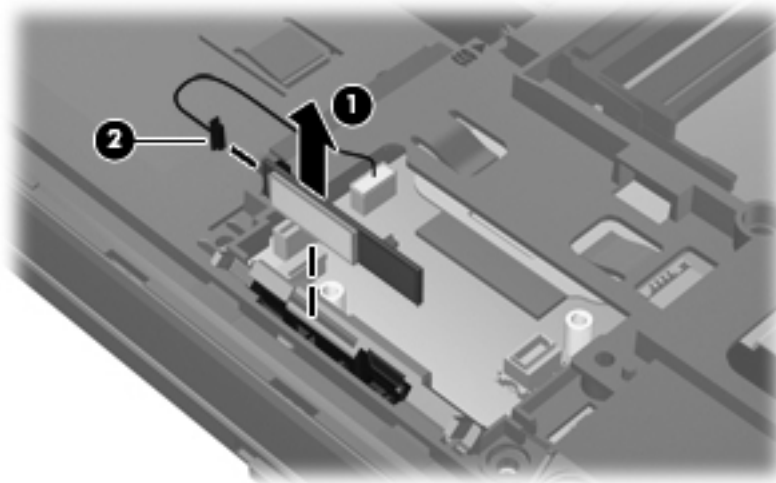
Description	Spare part number
Bluetooth module	537921-001

Before removing the Bluetooth module, follow these steps:

1. Shut down the computer. If you are unsure whether the computer is off or in Hibernation, turn the computer on, and then shut it down through the operating system.
2. Disconnect all external devices connected to the computer.
3. Disconnect the power from the computer by first unplugging the power cord from the AC outlet, and then unplugging the AC adapter from the computer.
4. Remove the battery (see [Battery on page 63](#)).
5. Remove the bottom door (see [Bottom door on page 70](#)).

Remove the Bluetooth module:


1. Position the computer upside-down with the front toward you.
2. Lift the module straight up out of the computer (1), and then disconnect the cable (2) from the module.



3. Remove the module from the computer.

Reverse this procedure to install the Bluetooth module.

Modem module

 **NOTE:** The modem module spare part kit does not include a modem module cable. The modem module cable is included in the Cable Kit, spare part number 641830-001. See [Cable Kit on page 39](#) for more Cable Kit spare part number information.

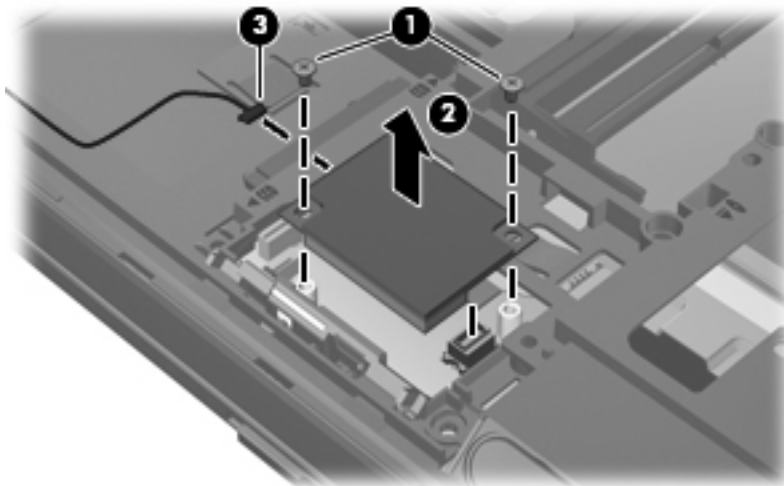
Description	Spare part number
Modem module	628824-001

Before removing the modem module, follow these steps:

1. Shut down the computer. If you are unsure whether the computer is off or in Hibernation, turn the computer on, and then shut it down through the operating system.
2. Disconnect all external devices connected to the computer.
3. Disconnect the power from the computer by first unplugging the power cord from the AC outlet, and then unplugging the AC adapter from the computer.
4. Remove the battery (see [Battery on page 63](#)).
5. Remove the bottom door (see [Bottom door on page 70](#)).

Remove the modem module:

1. Position the computer upside-down with the front toward you.
2. Remove the two Phillips PM2.0×3.0 screws (1) that secure the modem module to the system board.
3. Disconnect the modem module (2) from the system board by lifting it straight up.
4. Disconnect the modem module cable (3) from the modem module.



Reverse this procedure to install the modem module.

Fan

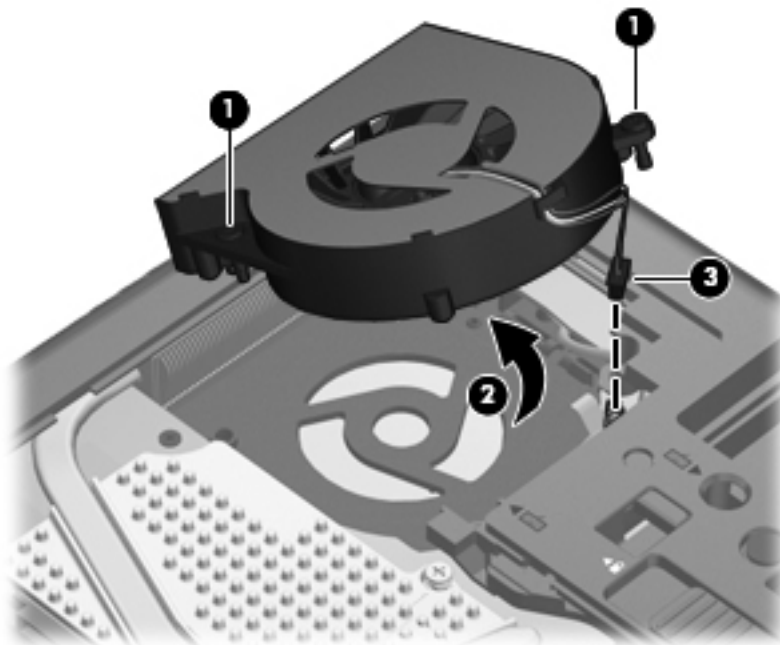
Description	Spare part number
Fan	641839-001

Before removing the fan, follow these steps:

1. Shut down the computer. If you are unsure whether the computer is off or in Hibernation, turn the computer on, and then shut it down through the operating system.
2. Disconnect all external devices connected to the computer.
3. Disconnect the power from the computer by first unplugging the power cord from the AC outlet, and then unplugging the AC adapter from the computer.
4. Remove the battery (see [Battery on page 63](#)).
5. Remove the bottom door (see [Bottom door on page 70](#)).


Remove the fan:

1. Position the computer upside-down with the front toward you.
2. Loosen the two captive Phillips screws (1) that secure the fan to the base enclosure.
3. Rotate the right side of the fan upward at an angle (2), and then lift the fan up to gain access to the system board connector.
4. Disconnect the fan cable (3) from the system board.




5. Remove the fan from the computer.

Reverse this procedure to install the fan.

 **NOTE:** To properly ventilate the computer, allow at least a 7.6-cm (3-in) clearance on the left side of the computer.

The computer uses an electric fan for ventilation. The fan is controlled by a temperature sensor and is designed to turn on automatically when high temperature conditions exist. These conditions are affected by high external temperatures, system power consumption, power management/battery conservation configurations, battery fast charging, and software requirements. Exhaust air is displaced through the ventilation grill located on the left side of the computer.

Heat sink

 **NOTE:** All heat sink spare part kits include replacement thermal material.

Description	Spare part number
Heat sink for use in computers with UMA graphics	642766-001
Heat sink for use in computers with discrete graphics	642767-001


Before removing the heat sink, follow these steps:

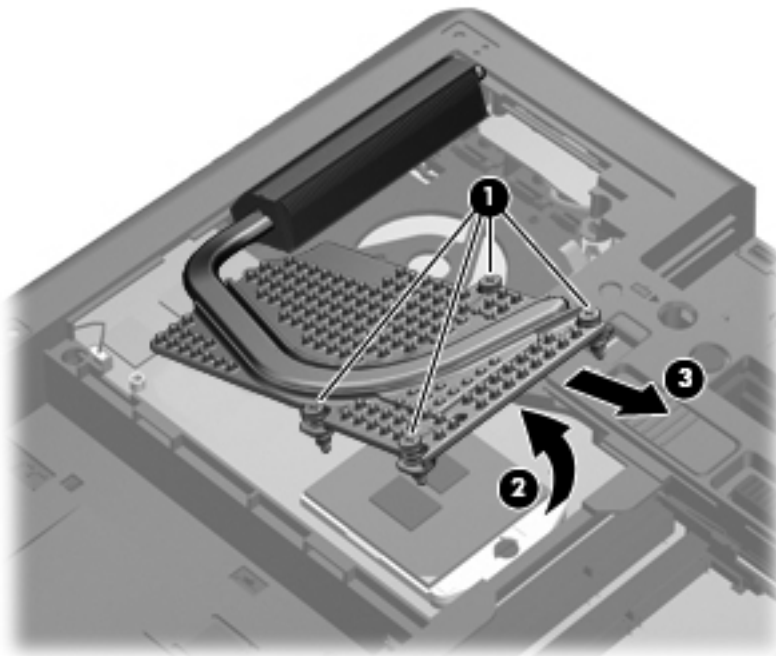
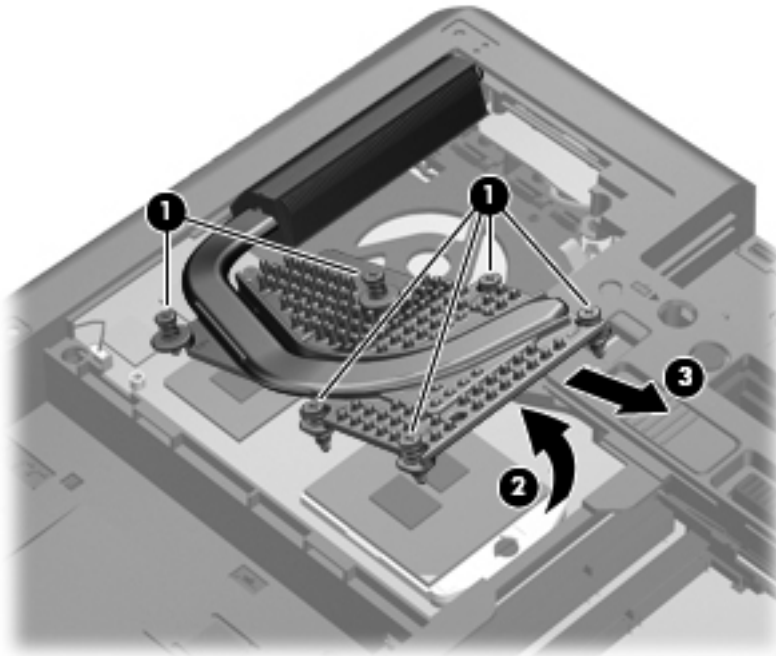
1. Shut down the computer. If you are unsure whether the computer is off or in Hibernation, turn the computer on, and then shut it down through the operating system.
2. Disconnect all external devices connected to the computer.
3. Disconnect the power from the computer by first unplugging the power cord from the AC outlet, and then unplugging the AC adapter from the computer.
4. Remove the battery (see [Battery on page 63](#)).
5. Remove the bottom door (see [Bottom door on page 70](#)).
6. Remove the fan (see [Fan on page 90](#)).


Remove the heat sink:

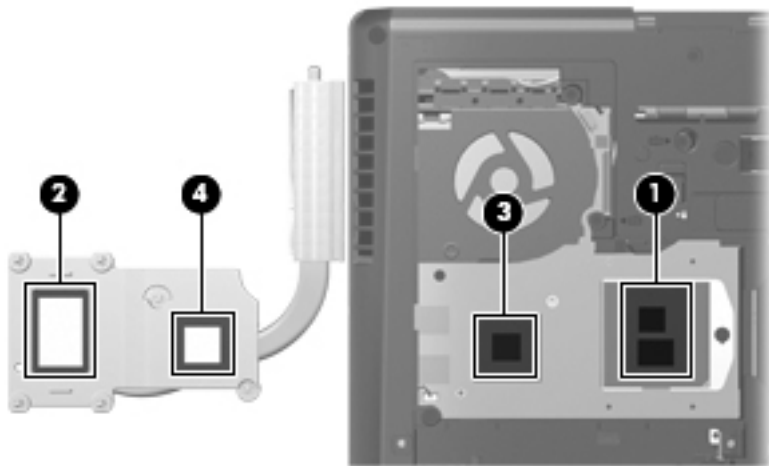
1. Position the computer upside-down with the front toward you.
2. In the order indicated on the heat sink, loosen the captive Phillips screws **(1)** that secure the heat sink to the system board. The discrete heat sink has six screws, while the UMA heat sink has four screws. Both heat sinks are illustrated below.
3. Lift the right side of the heat sink up at an angle **(2)**.


4. Pull the heat sink away from the side of the computer to remove it (3).

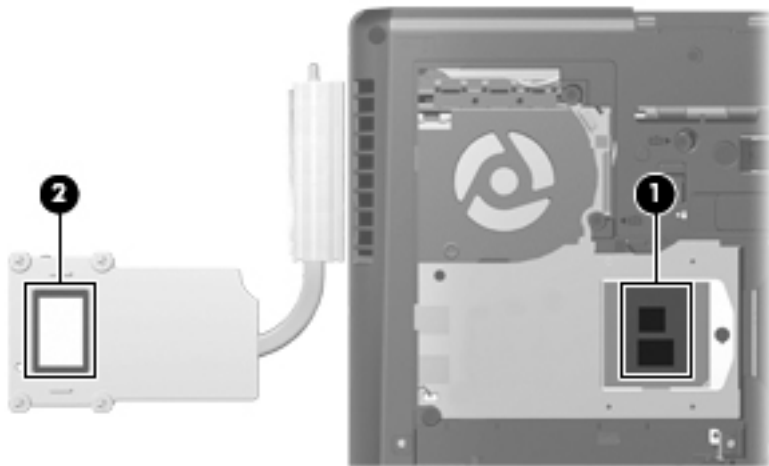
 **NOTE:** The first image shows the discrete heat sink, the second image shows the UMA heat sink.



 **NOTE:** For discrete models, thoroughly clean thermal material from the surfaces of the processor (1), the graphics processor (3), and the heat sink (2) and (4) each time you remove the heat sink. All heat sink and processor spare part kits include thermal material.



 **NOTE:** For UMA models, thoroughly clean thermal material from the surfaces of the processor (1) and the heat sink (2) each time you remove the heat sink. All heat sink and processor spare part kits include thermal material.



Reverse this procedure to install the heat sink.

Processor



NOTE: All processor spare part kits include replacement thermal material.

Description	Spare part number
Intel Core i7 processors, Quad Core	
2860QM, 2.5-GHz (turbo up to 3.6-GHz) processor with 8-MB L3 cache	666175-001
2820QM, 2.3-GHz (turbo up to 3.4-GHz) processor with 8-MB L3 cache	634694-001
2760QM, 2.4-GHz (turbo up to 3.5-GHz) processor with 6-MB L3 cache	666174-001
2720QM, 2.2-GHz (turbo up to 3.3-GHz) processor with 6-MB L3 cache	631254-001
2670QM, 2.2-GHz (turbo up to 3.1-GHz) processor with 6-MB L3 cache	665116-001
2630QM, 2.0-GHz (turbo up to 2.9-GHz) processor with 6-MB L3 cache	635501-001
Intel Core i7 processor, Dual Core	
2640M, 2.8-GHz (turbo up to 3.5-GHz) processor with 4-MB L3 cache	666173-001
2620M, 2.7-GHz (turbo up to 3.4-GHz) processor with 4-MB L3 cache	631252-001
Intel Core i5 processors, Dual Core	
2540M, 2.6-GHz (turbo up to 3.3-GHz) processor with 3-MB L3 cache	631255-001
2520M, 2.5-GHz (turbo up to 3.2-GHz) processor with 3-MB L3 cache	631253-001
2450M, 2.5-GHz (turbo up to 3.1-GHz) processor with 3-MB L3 cache	676359-001
2430M, 2.4-GHz (turbo up to 3.0-GHz) processor with 3-MB L3 cache	653341-001
2410M, 2.3-GHz (turbo up to 2.9-GHz) processor with 3-MB L3 cache	638039-001
Intel Core i3 processors, Dual Core	
2370M, 2.4-GHz processor with 3-MB L3 cache	677152-001
2330M, 2.2-GHz processor with 3-MB L3 cache	653339-001
2310M, 2.1-GHz processor with 3-MB L3 cache	638037-001
NOTE: At temperatures above 86° F (30° C), the Intel Core i3-2310M processor may run at decreased performance.	
Intel Celeron processor, Dual Core	
B840, 1.9-GHz, with 2-MB L3 cache	664663-001
B810, 1.6-GHz, with 2-MB L3 cache	646760-001


Before removing the processor, follow these steps:

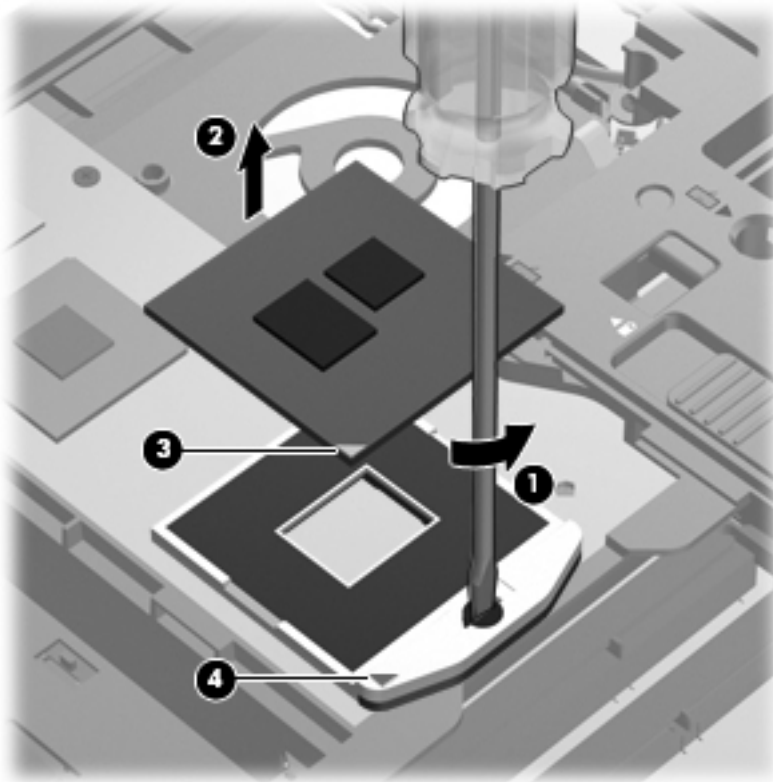
1. Shut down the computer. If you are unsure whether the computer is off or in Hibernation, turn the computer on, and then shut it down through the operating system.
2. Disconnect all external devices connected to the computer.
3. Disconnect the power from the computer by first unplugging the power cord from the AC outlet, and then unplugging the AC adapter from the computer.

4. Remove the battery (see [Battery on page 63](#)).
5. Remove the bottom door (see [Bottom door on page 70](#)).
6. Remove the fan (see [Fan on page 90](#)).
7. Remove the heat sink (see [Heat sink on page 91](#)).

Remove the processor:

1. Position the computer upside-down with the front toward you.
2. Use a flat-bladed screwdriver to turn the processor locking screw **(1)** one-half turn counterclockwise until you hear a click.
3. Lift the processor **(2)** straight up and remove it.

 **NOTE:** The gold triangle **(3)** on the processor must be aligned with the triangle **(4)** embossed on the processor slot when you install the processor.



Reverse this procedure to install the processor.

Keyboard



NOTE: For a detailed list of available keyboards, see [Sequential part number listing on page 43](#).

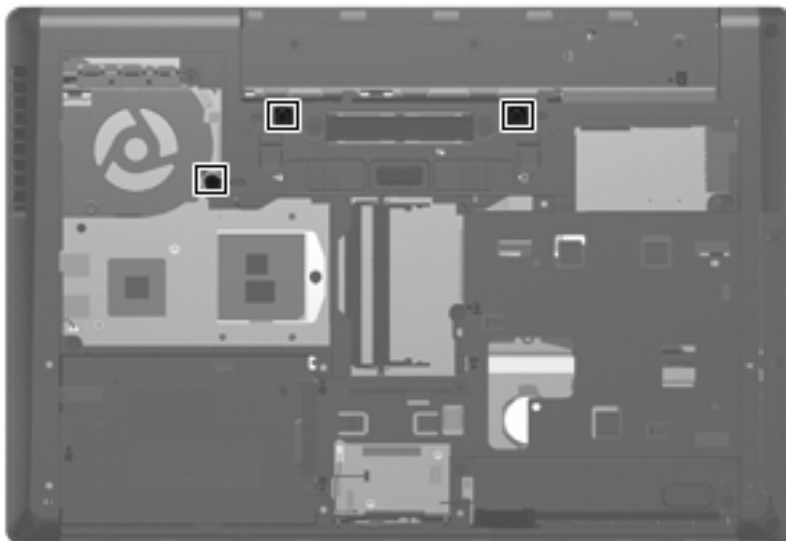
Description	Spare part number
Keyboard for use in model 6460b without a pointing stick	641834-xxx
Keyboard for use in model 6460b with a pointing stick	641835-xxx
Keyboard for use in model 8460p	642760-xxx
Keyboard for use in model 8460w	642761-xxx

Before removing the keyboard, follow these steps:

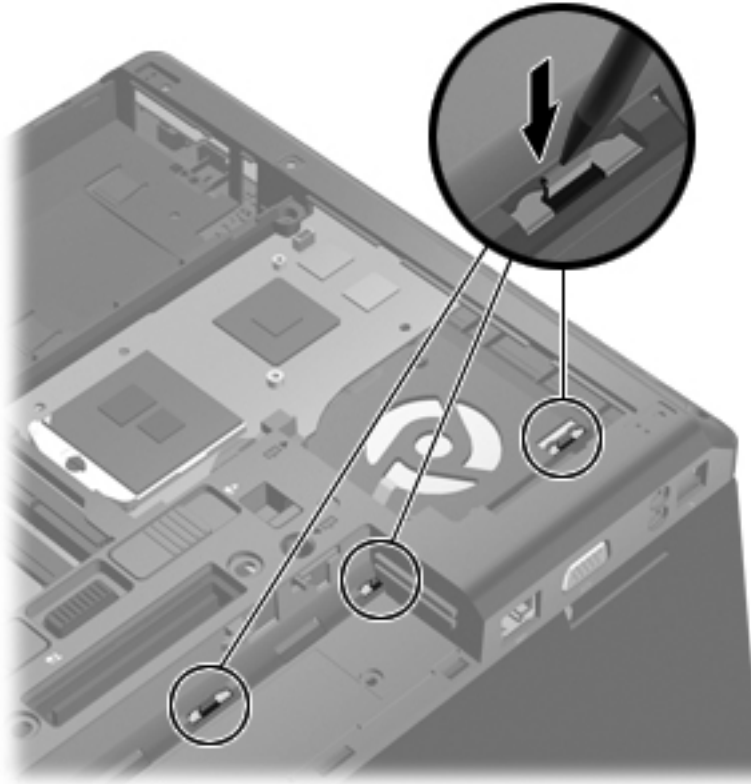
1. Shut down the computer. If you are unsure whether the computer is off or in Hibernation, turn the computer on, and then shut it down through the operating system.
2. Disconnect all external devices connected to the computer.
3. Disconnect the power from the computer by first unplugging the power cord from the AC outlet, and then unplugging the AC adapter from the computer.
4. Remove the battery (see [Battery on page 63](#)).
5. Remove the bottom door (see [Bottom door on page 70](#)).

Remove the keyboard:

1. Position the computer upside-down with the front toward you.
2. Loosen the three Phillips captive screws that secure the keyboard to the computer.



- Using a flat-blade screwdriver, press on the tabs along the bottom of the computer to disengage the keyboard.

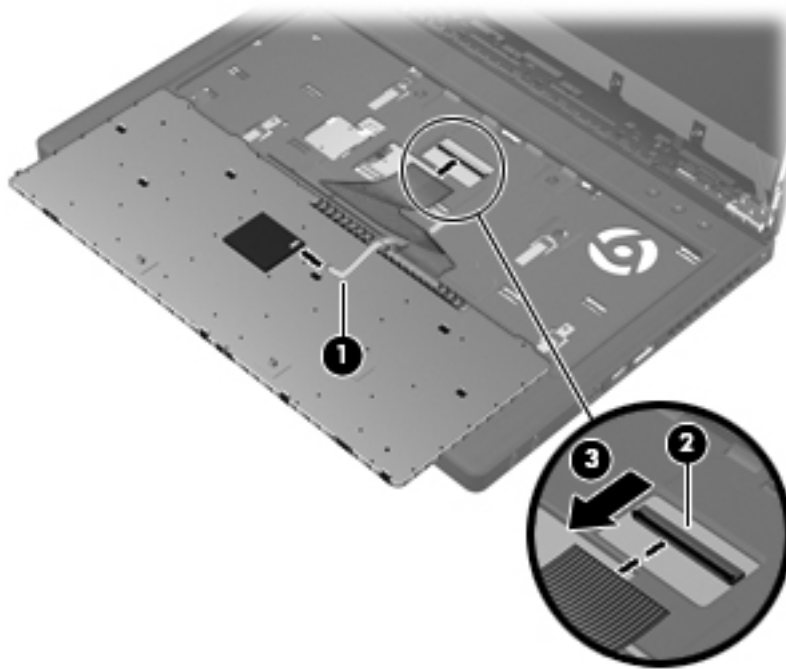


- Position the computer right-side up with the front toward you.
- Open the computer as far as possible.
- Lift and rotate the keyboard (1) until it rests upside-down on top of the Touchpad (2).



- Disconnect the pointing stick cable from the rear of the keyboard (1).

- Lift the keyboard connector latch (2), and then disconnect the keyboard cable from the system board (3).



- Remove the keyboard.

Reverse this procedure to install the keyboard.

Bottom cover

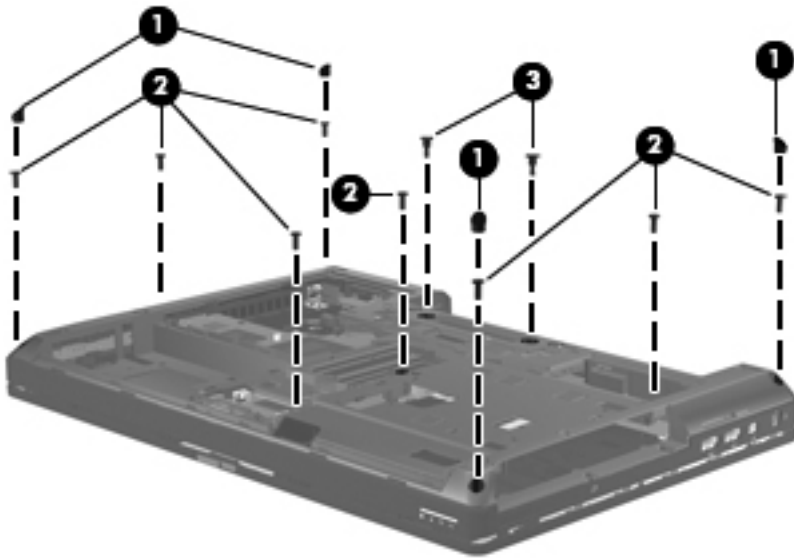
Description	Spare part number
For use in 6460b models:	
Includes a 2-button touchpad and fingerprint reader	642741-001
Includes a 2-button touchpad without a fingerprint reader	642742-001
Includes a 4-button touchpad with a fingerprint reader	642743-001
Includes a 4-button touchpad without a fingerprint reader	642746-001
For use in 8460p models:	
Includes a 4-button touchpad with a fingerprint reader	642744-001
Includes a 4-button touchpad without a fingerprint reader	642747-001
For use in 8460w models:	
Includes a 4-button touchpad with a fingerprint reader	642745-001

Before removing the bottom cover, follow these steps:

1. Shut down the computer. If you are unsure whether the computer is off or in Hibernation, turn the computer on, and then shut it down through the operating system.
2. Disconnect all external devices connected to the computer.
3. Disconnect the power from the computer by first unplugging the power cord from the AC outlet, and then unplugging the AC adapter from the computer.
4. Remove the battery (see [Battery on page 63](#)).
5. Remove the following components:
 - a. Bottom door (see [Bottom door on page 70](#)).
 - b. Hard drive (see [Hard drive on page 76](#))
 - c. Optical drive (see [Optical drive on page 72](#))
 - d. WLAN module (see [WLAN module on page 83](#))
 - e. WWAN module (see [WWAN module on page 81](#))
 - f. Fan (see [Fan on page 90](#))
 - g. Heat sink (see [Heat sink on page 91](#))
 - h. Keyboard (see [Keyboard on page 96](#))

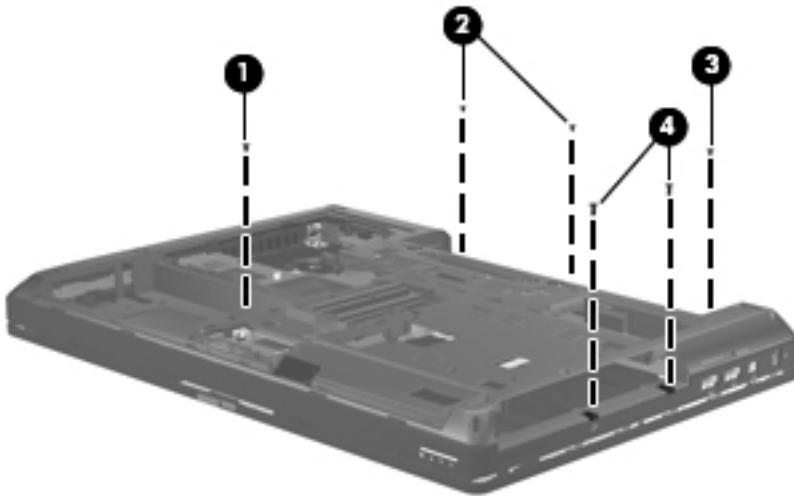
Remove the bottom cover:

1. Position the computer upside-down with the front toward you.
2. Remove the following covers and screws that secure the bottom cover to the computer:
 - (1): 4 rubber screw covers
 - (2): 8 Torx PM2.5×8.0 screws
 - (3): 2 Phillips PM2.5×11.0 screws from the sides of the docking connector



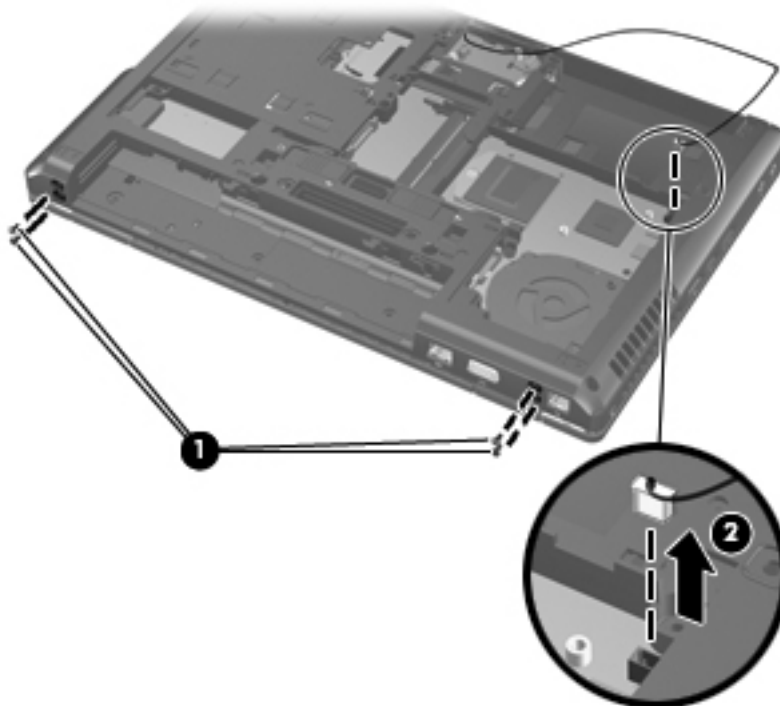
3. Remove the following screws that secure the bottom cover to the computer:

- (1): 1 Phillips PM2.0×3.0 screw from the hard drive bay
- (2): 2 Phillips PM2.0×3.0 screws from the battery bay
- (3): 1 Phillips broadhead PM2.0×4.0 screw from the battery bay
- (4): 2 Phillips PM2.5×4.5 screws from the optical drive bay

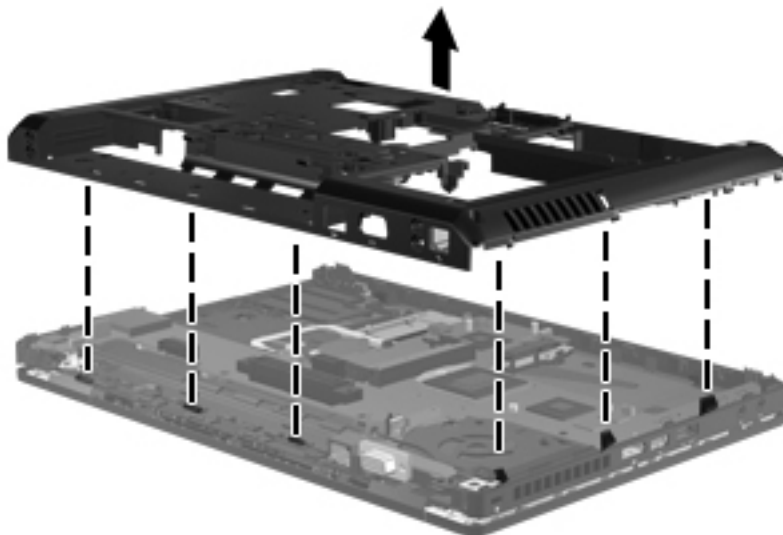


4. Remove the 4 Torx PM2.5×8.0 screws (1) from the rear of the computer.

5. Disconnect the speaker cable from the system board connector (2).



6. Release the bottom cover by lifting the edges until it disengages from the computer.
7. Remove the bottom cover from the computer.



Reverse this procedure to install the bottom cover.

Fingerprint reader board

Description	Spare part number
Fingerprint reader board (includes cable)	642764-001

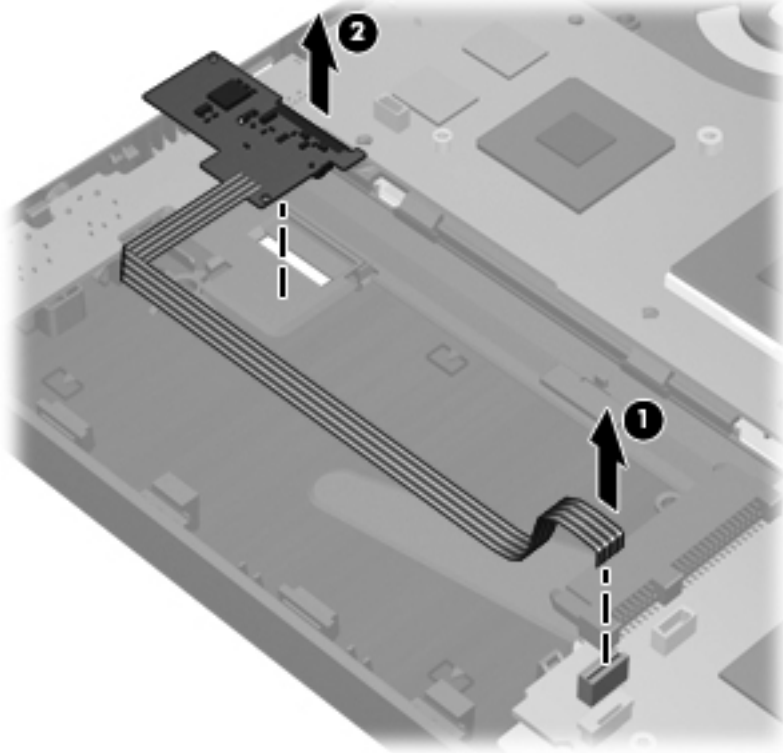
Before removing the fingerprint reader board, follow these steps:

1. Shut down the computer. If you are unsure whether the computer is off or in Hibernation, turn the computer on, and then shut it down through the operating system.
2. Disconnect all external devices connected to the computer.
3. Disconnect the power from the computer by first unplugging the power cord from the AC outlet, and then unplugging the AC adapter from the computer.
4. Remove the battery (see [Battery on page 63](#)).
5. Remove the following components:
 - a. Bottom door (see [Bottom door on page 70](#)).
 - b. Hard drive (see [Hard drive on page 76](#))
 - c. Optical drive (see [Optical drive on page 72](#))
 - d. WLAN module (see [WLAN module on page 83](#))
 - e. WWAN module (see [WWAN module on page 81](#))
 - f. Fan (see [Fan on page 90](#))
 - g. Heat sink (see [Heat sink on page 91](#))
 - h. Keyboard (see [Keyboard on page 96](#))
 - i. Bottom cover (see [Bottom cover on page 98](#))

Remove the fingerprint reader board:

1. Position the computer upside-down with the front toward you.

2. Disconnect the cable from the system board (1), and then lift the board straight up and off the computer (2).



Reverse this procedure to install the fingerprint reader board.

Lid switch

Description	Spare part number
Lid switch board (includes cable)	642765-001

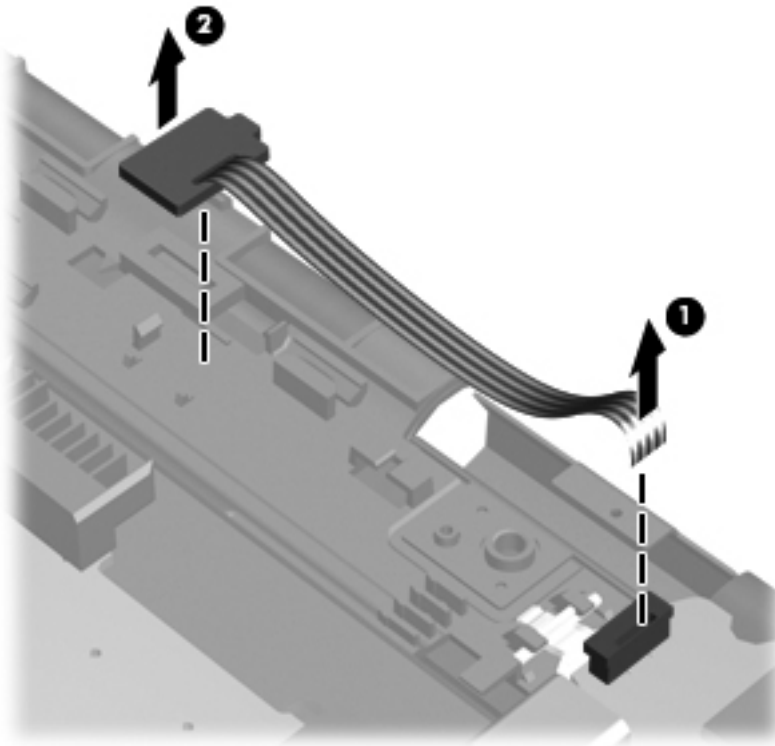
Before removing the lid switch, follow these steps:

1. Shut down the computer. If you are unsure whether the computer is off or in Hibernation, turn the computer on, and then shut it down through the operating system.
2. Disconnect all external devices connected to the computer.
3. Disconnect the power from the computer by first unplugging the power cord from the AC outlet, and then unplugging the AC adapter from the computer.
4. Remove the battery (see [Battery on page 63](#)).
5. Remove the following components:
 - a. Remove the bottom door (see [Bottom door on page 70](#)).
 - b. Hard drive (see [Hard drive on page 76](#))
 - c. Optical drive (see [Optical drive on page 72](#))
 - d. WLAN module (see [WLAN module on page 83](#))
 - e. WWAN module (see [WWAN module on page 81](#))
 - f. Fan (see [Fan on page 90](#))
 - g. Heat sink (see [Heat sink on page 91](#))
 - h. Modem module (see [Modem module on page 89](#))
 - i. Keyboard (see [Keyboard on page 96](#))
 - j. Bottom cover (see [Bottom cover on page 98](#))

Remove the lid switch:

1. Position the computer right-side up, with the front toward you.

2. Disconnect the cable from the system board (1), and then lift the lid switch and cable straight up and off the computer (2).



Reverse this procedure to install the lid switch.

Speaker assembly

Description	Spare part number
Speaker assembly	641840-001

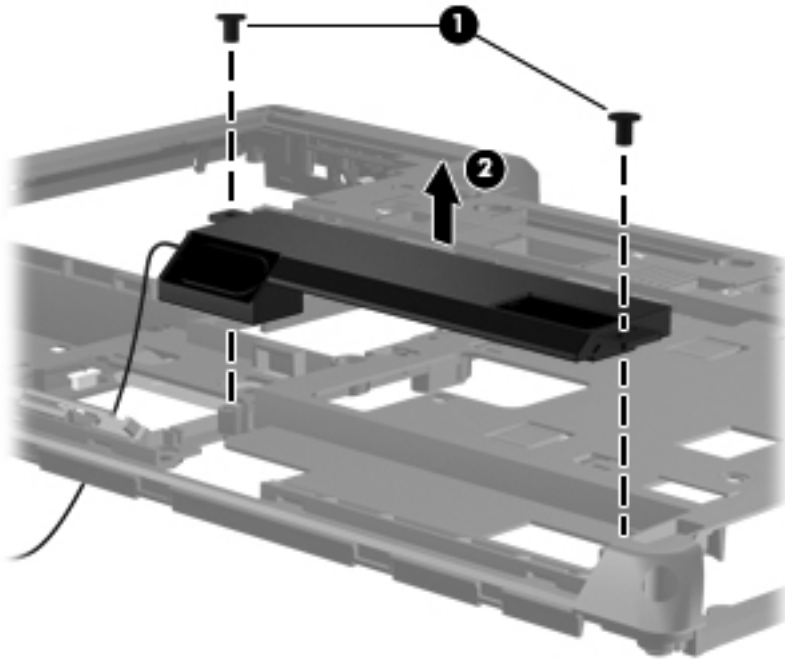
Before removing the speaker assembly, follow these steps:

1. Shut down the computer. If you are unsure whether the computer is off or in Hibernation, turn the computer on, and then shut it down through the operating system.
2. Disconnect all external devices connected to the computer.
3. Disconnect the power from the computer by first unplugging the power cord from the AC outlet, and then unplugging the AC adapter from the computer.
4. Remove the battery (see [Battery on page 63](#)).
5. Remove the following components:
 - a. Remove the bottom door (see [Bottom door on page 70](#)).
 - b. Hard drive (see [Hard drive on page 76](#))
 - c. Optical drive (see [Optical drive on page 72](#))
 - d. WLAN module (see [WLAN module on page 83](#))
 - e. WWAN module (see [WWAN module on page 81](#))
 - f. Fan (see [Fan on page 90](#))
 - g. Heat sink (see [Heat sink on page 91](#))
 - h. Modem module (see [Modem module on page 89](#))
 - i. Keyboard (see [Keyboard on page 96](#))
 - j. Bottom cover (see [Bottom cover on page 98](#))

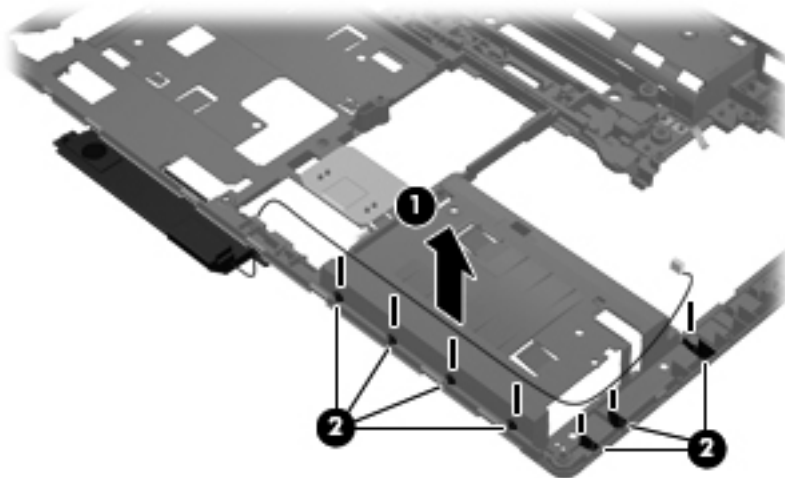
Remove the speaker assembly:

1. Position the bottom cover with the front toward you.
2. Remove the two Phillips PM2.0×5.0 screws **(1)** that secure the speaker assembly to the bottom cover.

3. Remove the speaker assembly (2) from the bottom cover.



4. Turn the bottom cover over, and then remove the speaker cable (1) from the routing path (2) in the bottom cover. Note that the cable routes from the bottom to the top of the bottom cover.



Reverse this procedure to install the speaker assembly.

RJ-11 connector cable



NOTE: The RJ-11 connector cable is included in the Cable Kit, spare part number 641830-001.

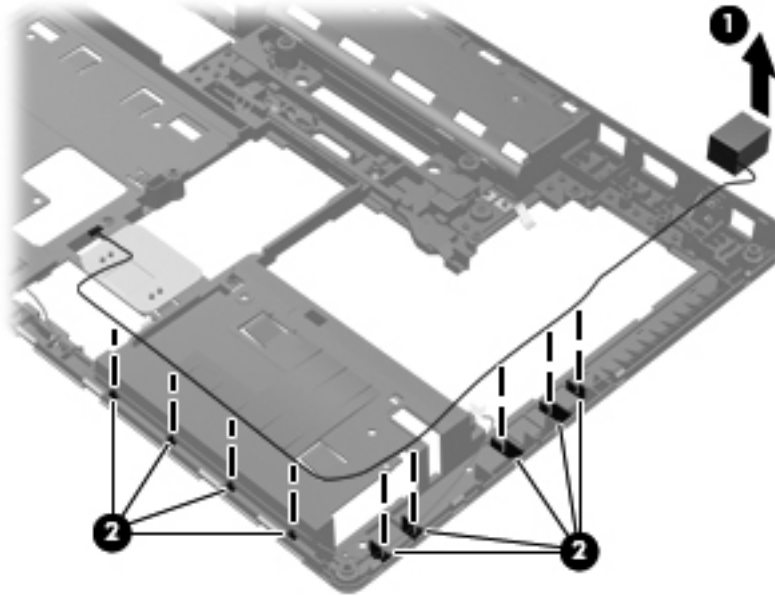
Before removing the RJ-11 connector cable, follow these steps:

1. Shut down the computer. If you are unsure whether the computer is off or in Hibernation, turn the computer on, and then shut it down through the operating system.
2. Disconnect all external devices connected to the computer.
3. Disconnect the power from the computer by first unplugging the power cord from the AC outlet, and then unplugging the AC adapter from the computer.
4. Remove the battery (see [Battery on page 63](#)).
5. Remove the following components:
 - a. Remove the bottom door (see [Bottom door on page 70](#)).
 - b. Hard drive (see [Hard drive on page 76](#))
 - c. Optical drive (see [Optical drive on page 72](#))
 - d. WLAN module (see [WLAN module on page 83](#))
 - e. WWAN module (see [WWAN module on page 81](#))
 - f. Modem module (see [Modem module on page 89](#))
 - g. Fan (see [Fan on page 90](#))
 - h. Heat sink (see [Heat sink on page 91](#))
 - i. Keyboard (see [Keyboard on page 96](#))
 - j. Bottom cover (see [Bottom cover on page 98](#))

Remove the RJ-11 connector cable:

1. Position the bottom cover with the front toward you.
2. Remove the RJ-11 connector (**1**) from the clip built into the base enclosure.

3. Remove the RJ-11 connector cable from the clips and routing channel (2) built into the base enclosure.



4. Remove the RJ-11 connector cable from the bottom cover.
Reverse this procedure to install the RJ-11 connector cable.

Display assembly components (cable, antennas, hinges, enclosure)

This section describes removing components that require you to completely remove the display panel. For more information about removing display components that do not require that you remove the assembly from the computer, see [Display assembly components \(panel, bezel, webcam, microphone\) on page 65](#).

All display assemblies include WLAN antenna transceivers and cables. WWAN models include 2 WWAN antenna transceivers and cables.

For a list of display spare parts, see [Display components on page 36](#).

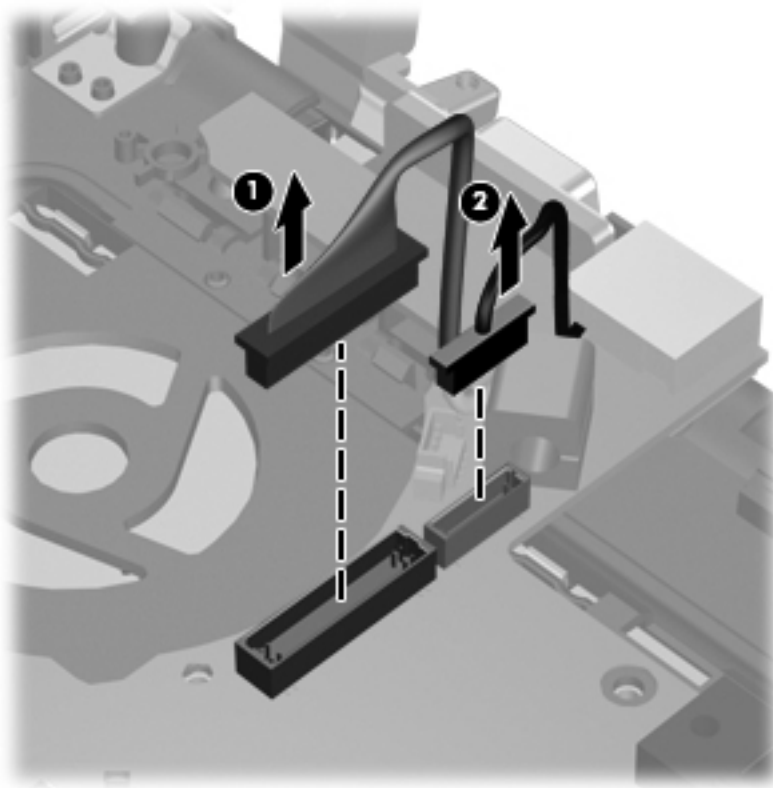
Before removing the display assembly, follow these steps:

1. Shut down the computer. If you are unsure whether the computer is off or in Hibernation, turn the computer on, and then shut it down through the operating system.
2. Disconnect all external devices connected to the computer.
3. Disconnect the power from the computer by first unplugging the power cord from the AC outlet, and then unplugging the AC adapter from the computer.
4. Remove the battery (see [Battery on page 63](#)).
5. Remove the following components:
 - a. Remove the bottom door (see [Bottom door on page 70](#)).
 - b. Hard drive (see [Hard drive on page 76](#))
 - c. Optical drive (see [Optical drive on page 72](#))
 - d. WLAN module (see [WLAN module on page 83](#))
 - e. WWAN module (see [WWAN module on page 81](#))
 - f. Fan (see [Fan on page 90](#))
 - g. Heat sink (see [Heat sink on page 91](#))
 - h. Modem module (see [Modem module on page 89](#))
 - i. Keyboard (see [Keyboard on page 96](#))
 - j. Bottom cover (see [Bottom cover on page 98](#))

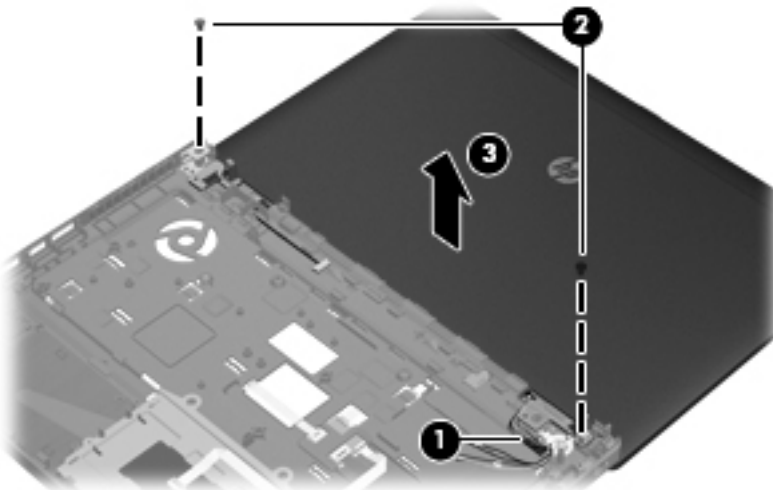
Remove the display assembly:

1. Position the computer right-side up with the front toward you.

2. Disconnect the display cable (1) and webcam cable (2) from the system board.



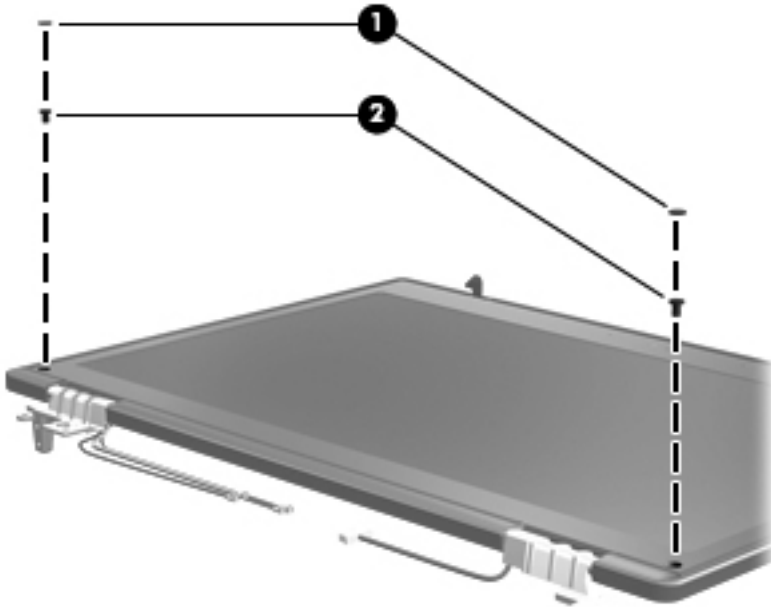
3. Remove the antennas from the holes they route through in the computer (1) that secure the display assembly to the computer.
4. Remove the two Phillips PM2.5×4.5 screws (2).
5. Lift the display assembly (3) straight up and remove it.



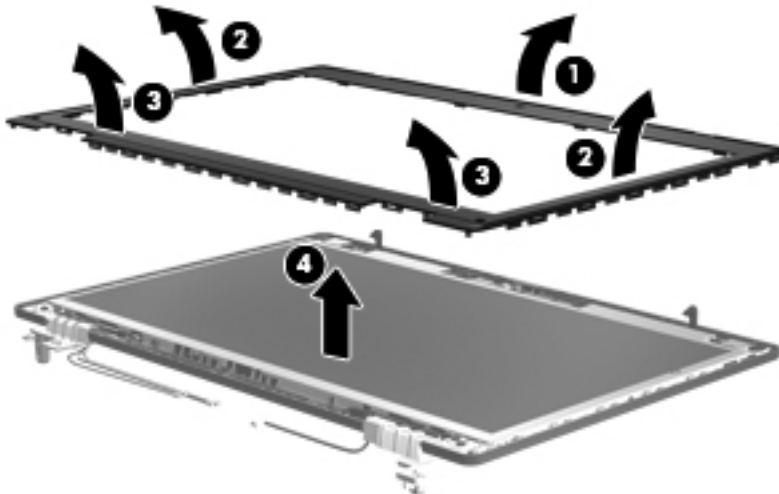
⚠ CAUTION: When installing the display assembly, be sure that the wireless antenna cables are routed and arranged properly.

Failure to properly route the antennas can result in degradation of the computer's WLAN and WWAN performance.

6. To remove the display bezel, remove the two rubber screw covers (1) and the two Phillips PM2.5×5.0 screws (2) in the bottom corners of the display bezel.

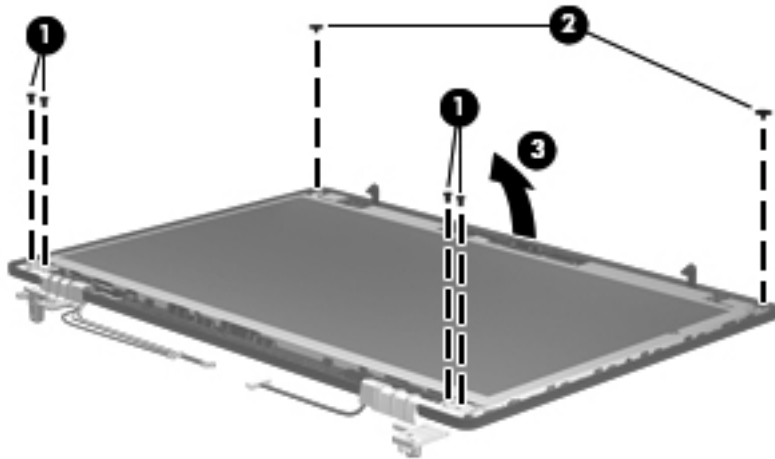


7. Flex the top (1) of the bezel, the inside edges of the left and right sides (2), and then the bottom (3) of the bezel until it disengages from the display enclosure.
8. Remove the display bezel (4).

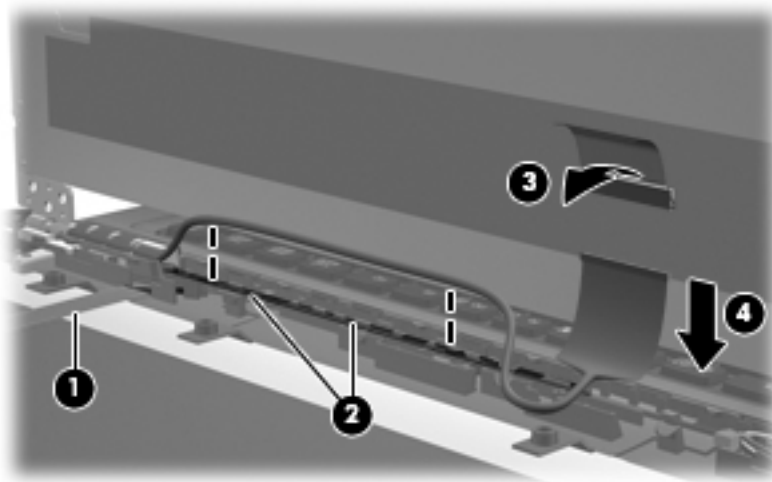


9. If it is necessary to replace the display panel, remove the four Phillips PM2.5×5.0 screws (1) at the bottom of the display panel.
10. Remove the two broadhead Phillips PM2.0×4.0 screws (2) at the top of the display panel.

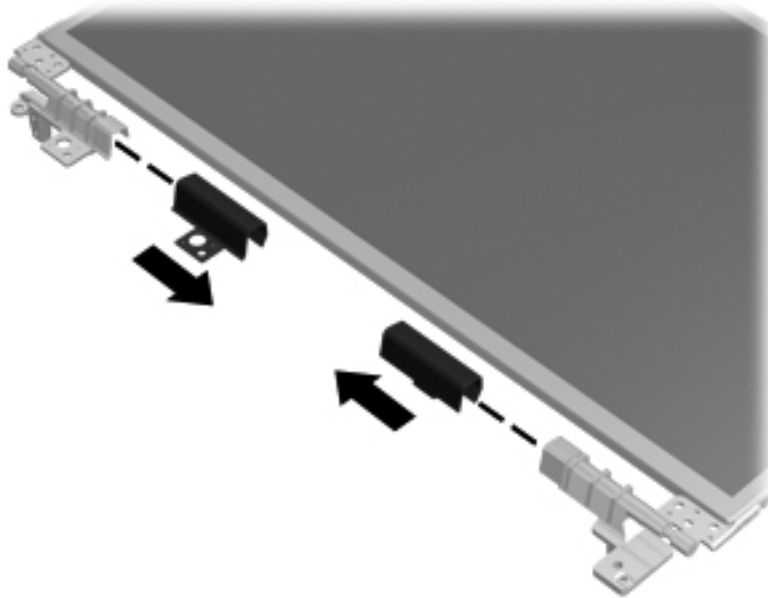
11. Lift the display panel from the display enclosure (3).



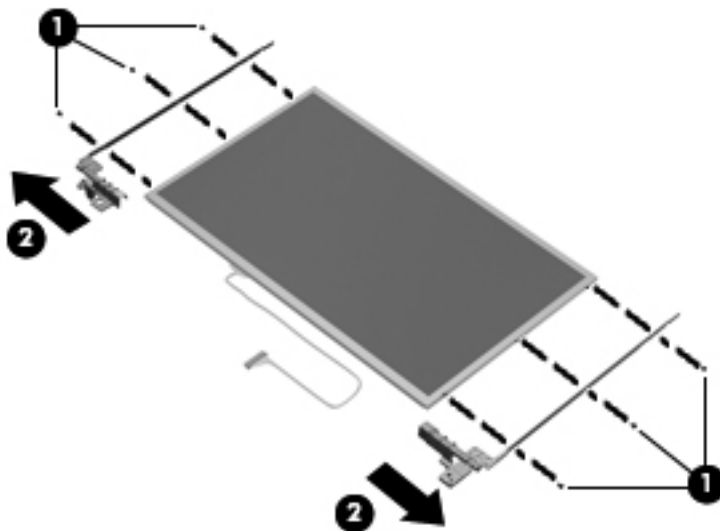
12. If it is necessary to remove the display panel/webcam cable, remove the display cable from its routing path (1) and the webcam cable from its routing path (2).
13. Disconnect the display panel cable from the back of the display panel (3), and then remove the display panel cable from the panel (4).



14. If you need to remove the hinge covers from the display hinges, pull the hinges toward one another to remove them.

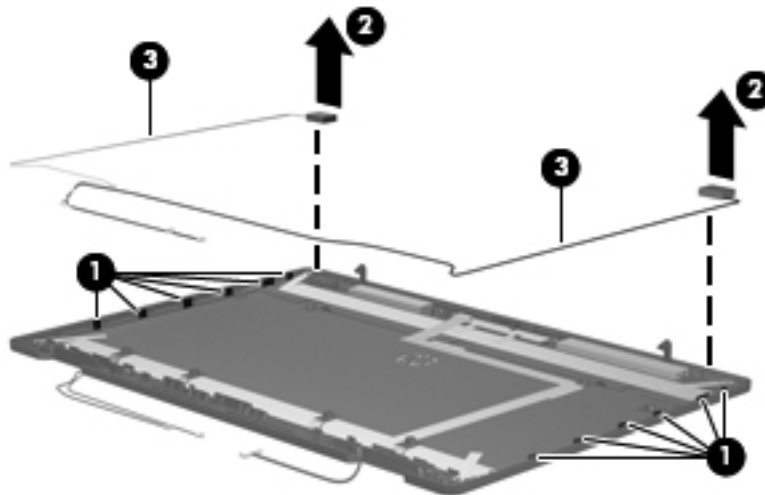


15. If it is necessary to replace the display hinges, remove the six Phillips PM2.5×3.0 screws (1) that secure each display hinge to the display panel.
16. Remove the display hinges (2).



17. If you need to remove the WLAN antennas, remove the antenna cables from the clips (1) and routing paths built into the display enclosure.

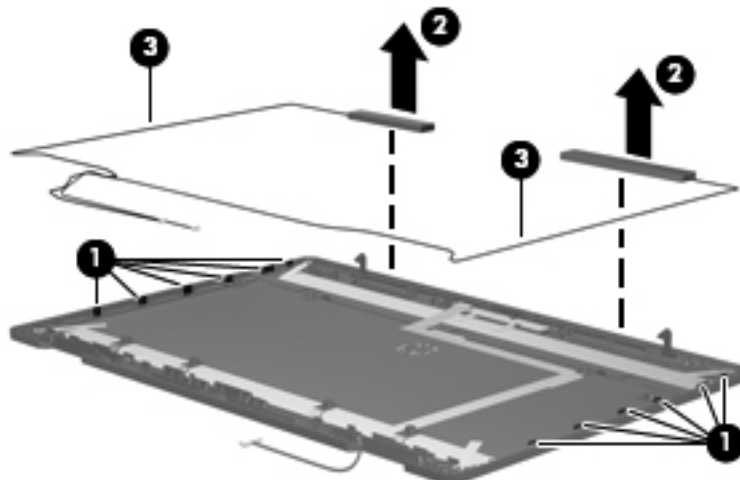
18. Lift the antennas (2) and cables (3) straight up out of the display enclosure.



CAUTION: When installing the display assembly, be sure that the wireless antenna cables are routed and arranged properly.

Failure to properly route the antennas can result in degradation of the computer's WLAN performance.

19. If you need to remove the WWAN antennas, remove the antenna cables from the clips (1) and routing paths built into the display enclosure.
20. Lift the antennas (2) and cables (3) straight up out of the display enclosure.

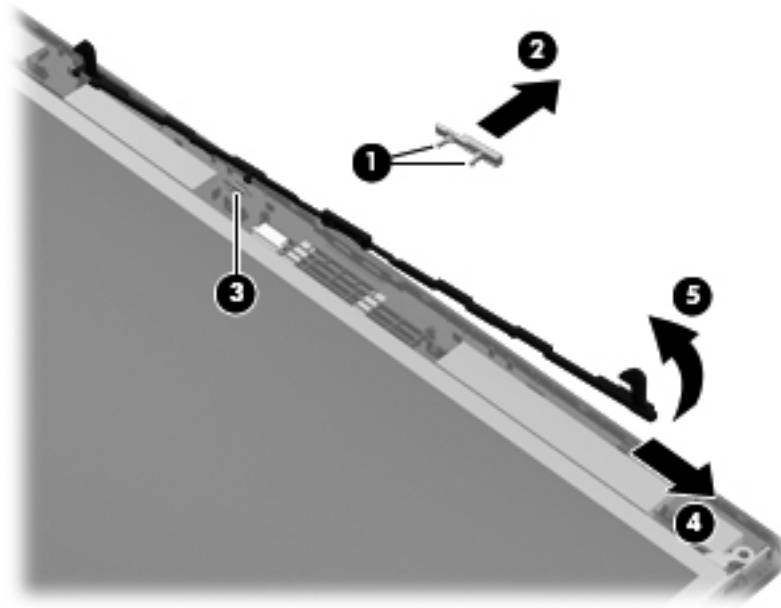


CAUTION: When installing the display assembly, be sure that the wireless antenna cables are routed and arranged properly.

Failure to properly route the antennas can result in degradation of the computer's WWAN performance.

21. If you need to remove the display latch, from the inside of the top of the display, squeeze together the tabs that secure the latch to the display (1), and then remove the latch from the display (2).

22. Remove the latching mechanism from the tabs that hold it in place (3), slide the mechanism until it clears the tabs (4), and then lift the mechanism from the display (5).



Reverse this procedure to reassemble and install the display assembly.

System board



NOTE: All system board spare part kits include replacement thermal material.

Description	Spare part number
For use in all countries and regions except for Russia and China:	
For use in computers with UMA graphics:	
• For use in computers with WLAN, no WWAN, no vPro (4M)	642755-001
• For use in computers with WLAN, with WWAN, no vPro (4M)	642756-001
• For use in computers with vPro (8M), WLAN, WWAN	642758-001
• For use in computers with vPro (8M), WLAN, WWAN, and USB 3.0 ports	642759-001
For use in computers with discrete graphics:	
• For use in computers with WLAN, with WWAN, no vPro (4M)	642751-001
• For use in computers with vPro (8M), WLAN, WWAN, and 512-MB graphics	642753-001
• For use in computers with vPro (8M), WLAN, WWAN, and 1-GB graphics	642754-001
• For use in computers with vPro (8M), WLAN, WWAN, 1-GB graphics, and USB 3.0 ports	670123-001
For use only in Russia and China:	
For use in computers with UMA graphics:	
• For use in computers with WLAN, no WWAN, no vPro (4M)	646320-002

Description	Spare part number
<ul style="list-style-type: none"> For use in computers with WLAN, with WWAN, no vPro (4M) 	646321-002
<ul style="list-style-type: none"> For use in computers with vPro (8M), WLAN, and WWAN 	646323-002
<ul style="list-style-type: none"> For use in computers with vPro (8M), WLAN, WWAN, and USB 3.0 ports 	646324-002
For use in computers with discrete graphics:	
<ul style="list-style-type: none"> For use in computers with WLAN, with WWAN, no vPro (4M) 	646316-002
<ul style="list-style-type: none"> For use in computers with vPro (8M), WLAN, WWAN, and 512-MB graphics 	646318-002
<ul style="list-style-type: none"> For use in computers with vPro (8M), WLAN, WWAN, and 1-GB graphics 	646319-002
<ul style="list-style-type: none"> For use in computers with vPro (8M), WLAN, WWAN, 1-GB graphics, and USB 3.0 ports 	670124-001

Before removing the system board, follow these steps:

1. Shut down the computer. If you are unsure whether the computer is off or in Hibernation, turn the computer on, and then shut it down through the operating system.
2. Disconnect all external devices connected to the computer.
3. Disconnect the power from the computer by first unplugging the power cord from the AC outlet, and then unplugging the AC adapter from the computer.
4. Remove the battery (see [Battery on page 63](#)).
5. Remove the following components:
 - a. Bottom door (see [Bottom door on page 70](#)).
 - b. Hard drive (see [Hard drive on page 76](#))
 - c. Optical drive (see [Optical drive on page 72](#))
 - d. Fan (see [Fan on page 90](#))
 - e. Heat sink (see [Heat sink on page 91](#))
 - f. Keyboard (see [Keyboard on page 96](#))
 - g. Bottom cover (see [Bottom cover on page 98](#))

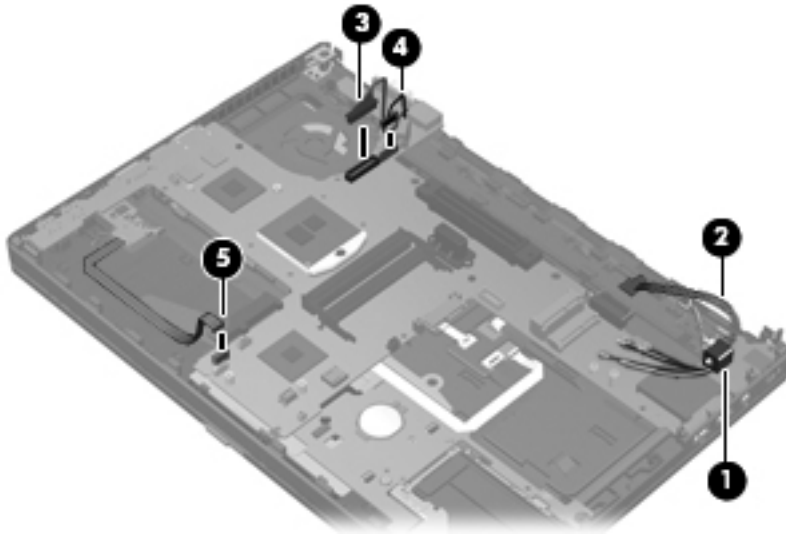
When replacing the system board, be sure that the following components are removed from the defective system board and installed on the replacement system board:

- SIM (see [SIM on page 64](#))
- Memory module (see [Memory modules on page 79](#))
- WLAN module (see [WLAN module on page 83](#))
- WWAN module (see [WWAN module on page 81](#))
- Modem module (see [Modem module on page 89](#))

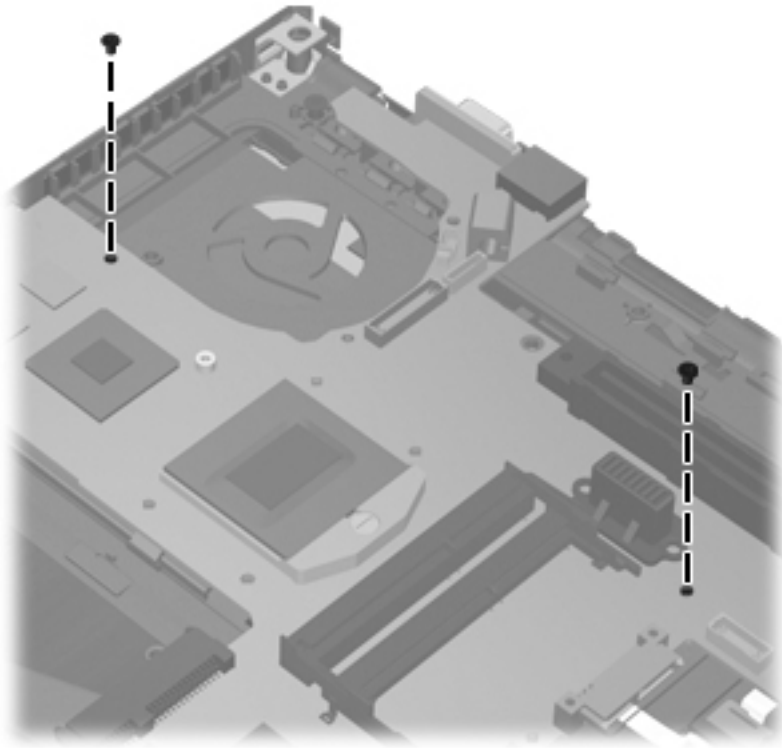
- Processor (see [Processor on page 94](#))
- USB 3.0 board (see [USB 3.0 board on page 120](#))

Remove the system board:

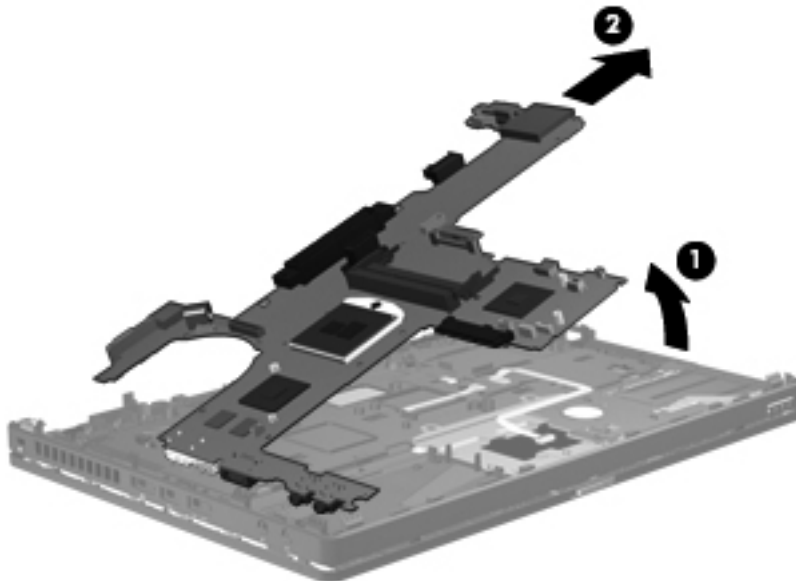
1. Position the computer right-side up, with the front toward you.
2. Disconnect the following cables from the system board (as necessary):
 - (1): Antenna cables from the rubber clamp
 - (2): Lid sensor board cable
 - (3): Display cable
 - (4): Webcam cable
 - (5): Fingerprint reader cable



3. Remove the two Phillips PM2.5×4.0 screws that secure the system board to the base enclosure.



4. Lift the system board up at an angle (1), and then lift the system board up and out of the computer (2).



5. Remove the system board from the chassis.
Reverse the preceding procedure to install the system board.

USB 3.0 board



NOTE: When replacing the system board, be sure to remove the USB 3.0 board from the old system board and install it on the new system board.

Description	Spare part number
USB 3.0 board	642762-001

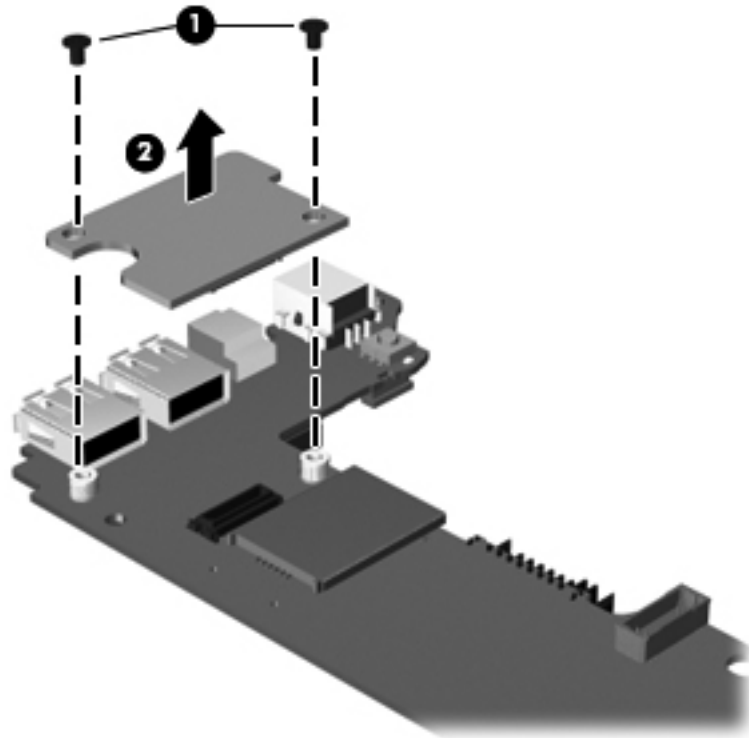
Before removing the USB 3.0 board, follow these steps:

1. Shut down the computer. If you are unsure whether the computer is off or in Hibernation, turn the computer on, and then shut it down through the operating system.
2. Disconnect all external devices connected to the computer.
3. Disconnect the power from the computer by first unplugging the power cord from the AC outlet, and then unplugging the AC adapter from the computer.
4. Remove the battery (see [Battery on page 63](#)).
5. Remove the following components:
 - a. Bottom door (see [Bottom door on page 70](#)).
 - b. Hard drive (see [Hard drive on page 76](#))
 - c. Optical drive (see [Optical drive on page 72](#))
 - d. Fan (see [Fan on page 90](#))
 - e. Heat sink (see [Heat sink on page 91](#))
 - f. Keyboard (see [Keyboard on page 96](#))
 - g. Bottom cover (see [Bottom cover on page 98](#))
 - h. System board (see [System board on page 116](#))

Remove the USB 3.0 board:

1. Position the system board right-side up.
2. Remove the two Phillips PM2.0×3.0 screws **(1)** that secure the USB 3.0 board to the system board

3. Lift the USB 3.0 board from the connector and mounting posts, and remove it from the system board (2).



Reverse the preceding procedure to install the USB 3.0 board.

ExpressCard assembly

Description	Spare part number
ExpressCard assembly	642763-001

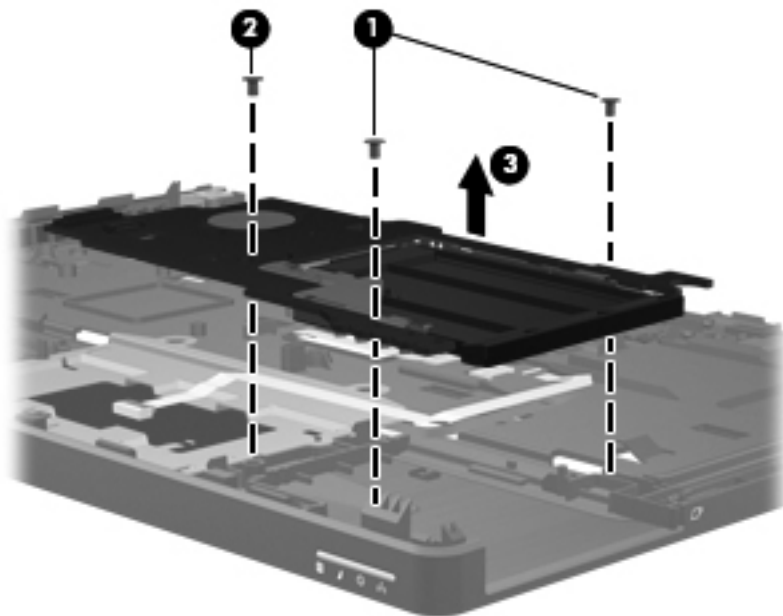
Before removing the ExpressCard assembly, follow these steps:

1. Shut down the computer. If you are unsure whether the computer is off or in Hibernation, turn the computer on, and then shut it down through the operating system.
2. Disconnect all external devices connected to the computer.
3. Disconnect the power from the computer by first unplugging the power cord from the AC outlet, and then unplugging the AC adapter from the computer.
4. Remove the battery (see [Battery on page 63](#)).
5. Remove the following components:
 - a. Remove the bottom door (see [Bottom door on page 70](#)).
 - b. Hard drive (see [Hard drive on page 76](#))

- c. Optical drive (see [Optical drive on page 72](#))
- d. Fan (see [Fan on page 90](#))
- e. Heat sink (see [Heat sink on page 91](#))
- f. Modem module (see [Modem module on page 89](#))
- g. Keyboard (see [Keyboard on page 96](#))
- h. Bottom cover (see [Bottom cover on page 98](#))
- i. System board (see [System board on page 116](#))

Remove the ExpressCard assembly:

1. Position the computer upside-down with the front toward you.
2. Remove the two Phillips PM2.0×3.0 screws (1) that secure the assembly to the computer.
3. Remove the broadhead Phillips PM2.0×4.0 screw (2) that secures the assembly to the computer.
4. Lift the assembly straight up and off the computer (3).




Reverse this procedure to install the ExpressCard assembly.


5 Computer Setup (BIOS) and System Diagnostics

Using Computer Setup

Computer Setup, or Basic Input/Output System (BIOS), controls communication between all the input and output devices on the system (such as disk drives, display, keyboard, mouse, and printer). Computer Setup includes settings for the types of devices installed, the startup sequence of the computer, and the amount of system and extended memory.

 **NOTE:** Use extreme care when making changes in Computer Setup. Errors can prevent the computer from operating properly.

Starting Computer Setup

 **NOTE:** An external keyboard or mouse connected to a USB port can be used with Computer Setup only if USB legacy support is enabled.


To start Computer Setup, follow these steps:

1. Turn on or restart the computer, and then press **esc** while the “Press the ESC key for Startup Menu” message is displayed at the bottom of the screen.
2. Press **f10** to enter Computer Setup.

Navigating and selecting in Computer Setup

To navigate and select in Computer Setup, follow these steps:

1. Turn on or restart the computer, and then press **esc** while the “Press the ESC key for Startup Menu” message is displayed at the bottom of the screen.
 - To select a menu or a menu item, use the tab key and the keyboard arrow keys and then press **enter**, or use a pointing device to click the item.
 - To scroll up and down, click the up arrow or the down arrow in the upper-right corner of the screen, or use the up arrow key or the down arrow key.
 - To close open dialog boxes and return to the main Computer Setup screen, press **esc**, and then follow the on-screen instructions.

 **NOTE:** You can use either a pointing device (TouchPad, pointing stick, or USB mouse) or the keyboard to navigate and make selections in Computer Setup.

2. Press **f10** to enter Computer Setup.

To exit Computer Setup menus, choose one of the following methods:

- To exit Computer Setup menus without saving your changes:

Click the **Exit** icon in the lower-left corner of the screen, and then follow the on-screen instructions.

– or –

Use the tab key and the arrow keys to select **File > Ignore Changes and Exit**, and then press [enter](#).

- To save your changes and exit Computer Setup menus:

Click the **Save** icon in the lower-left corner of the screen, and then follow the on-screen instructions.

– or –

Use the tab key and the arrow keys to select **File > Save Changes and Exit**, and then press [enter](#).

Your changes go into effect when the computer restarts.

Restoring factory settings in Computer Setup



NOTE: Restoring defaults will not change the hard drive mode.

To return all settings in Computer Setup to the values that were set at the factory, follow these steps:

1. Turn on or restart the computer, and then press [esc](#) while the “Press the ESC key for Startup Menu” message is displayed at the bottom of the screen.
2. Press [f10](#) to enter Computer Setup.
3. Use a pointing device or the arrow keys to select **File > Restore Defaults**.
4. Follow the on-screen instructions.
5. To save your changes and exit, click the **Save** icon in the lower-left corner of the screen, and then follow the on-screen instructions.

– or –

Use the arrow keys to select **File > Save Changes and Exit**, and then press [enter](#).

Your changes go into effect when the computer restarts.



NOTE: Your password settings and security settings are not changed when you restore the factory settings.

Updating the BIOS

Updated versions of the BIOS may be available on the HP Web site.

Most BIOS updates on the HP Web site are packaged in compressed files called *SoftPaqs*.

Some download packages contain a file named *Readme.txt*, which contains information regarding installing and troubleshooting the file.

Determining the BIOS version

To determine whether available BIOS updates contain later BIOS versions than those currently installed on the computer, you need to know the version of the system BIOS currently installed.


BIOS version information (also known as *ROM date* and *System BIOS*) can be displayed by pressing **fn+esc** (if you are already in Windows) or by using Computer Setup.

1. Start Computer Setup.
2. Use a pointing device or the arrow keys to select **File > System Information**.
3. To exit Computer Setup without saving your changes, click the **Exit** icon in the lower-left corner of the screen, and then follow the on-screen instructions.

– or –

Use the tab key and the arrow keys to select **File > Ignore Changes and Exit**, and then press **enter**.

Downloading a BIOS update

 **CAUTION:** To reduce the risk of damage to the computer or an unsuccessful installation, download and install a BIOS update only when the computer is connected to reliable external power using the AC adapter. Do not download or install a BIOS update while the computer is running on battery power, docked in an optional docking device, or connected to an optional power source. During the download and installation, follow these instructions:


Do not disconnect power from the computer by unplugging the power cord from the AC outlet.

Do not shut down the computer or initiate Sleep or Hibernation.

Do not insert, remove, connect, or disconnect any device, cable, or cord.

1. Select **Start > Help and Support > Maintain**.
2. Follow the on-screen instructions to identify your computer and access the BIOS update you want to download.
3. At the download area, follow these steps:
 - a. Identify the BIOS update that is later than the BIOS version currently installed on your computer. Make a note of the date, name, or other identifier. You may need this information to locate the update later, after it has been downloaded to your hard drive.
 - b. Follow the on-screen instructions to download your selection to the hard drive.

Make a note of the path to the location on your hard drive where the BIOS update is downloaded. You will need to access this path when you are ready to install the update.


 **NOTE:** If you connect your computer to a network, consult the network administrator before installing any software updates, especially system BIOS updates.

BIOS installation procedures vary. Follow any instructions that are displayed on the screen after the download is complete. If no instructions are displayed, follow these steps:

1. Open Windows Explorer by selecting **Start > Computer**.
2. Double-click your hard drive designation. The hard drive designation is typically Local Disk (C:).
3. Using the hard drive path you recorded earlier, open the folder on your hard drive that contains the update.
4. Double-click the file that has an .exe extension (for example, *filename.exe*).

The BIOS installation begins.

5. Complete the installation by following the on-screen instructions.

 **NOTE:** After a message on the screen reports a successful installation, you can delete the downloaded file from your hard drive.

Using System Diagnostics


System Diagnostics allows you to run diagnostic tests to determine if the computer hardware is functioning properly. The following diagnostic tests are available in System Diagnostics:

- **Start-up test**—This test analyzes the main computer components that are required to start the computer.
- **Run-in test**—This test repeats the start-up test and checks for intermittent problems that the start-up test does not detect.
- **Hard disk test**—This test analyzes the physical condition of the hard drive, and then checks all data in every sector of the hard drive. If the test detects a damaged sector, it attempts to move the data to a good sector.
- **Memory test**—This test analyzes the physical condition of the memory modules. If it reports an error, replace the memory modules immediately.
- **Battery test**—This test analyzes the condition of the battery. If the battery fails the test, contact HP Customer Support to report the issue and purchase a replacement battery.

You can also view system information and error logs in the System Diagnostics window.

To start System Diagnostics:

1. Turn on or restart the computer. While the “Press the ESC key for Startup Menu” message is displayed in the lower-left corner of the screen, press **esc**. When the Startup Menu is displayed, press **f2**.
2. Click the diagnostic test you want to run, and then follow the on-screen instructions.

 **NOTE:** If you need to stop a diagnostics test while it is running, press **esc**.

6 Specifications

Computer specifications

	Metric	U.S.
Dimensions		
Length	23.1 cm	9.11 in
Width	33.8 cm	13.3 in
Height (front to rear)	3.4 to 3.6 cm	1.34 to 1.42 in
Weight (equipped with UMA graphics, optical drive, 1 SODIMM, hard drive, WLAN module, 3 cell battery)	2.20 kg	4.85 lbs
Input power		
Operating voltage	19.0 V dc @ 4.74 A – 90 W	
Operating current	4.74 A	
Temperature		
Operating (not writing to optical disc)	0°C to 35°C	32°F to 95°F
Operating (writing to optical disc)	5°C to 35°C	41°F to 95°F
Nonoperating	-20°C to 60°C	-4°F to 140°F
Relative humidity		
Operating	10% to 90%	
Nonoperating	5% to 95%	
Maximum altitude (unpressurized)		
Operating (14.7 to 10.1 psia)	-15 m to 3,048 m	50 ft to 10,000 ft
Nonoperating (14.7 to 4.4 psia)	-15 m to 12,192 m	-50 ft to 40,000 ft
Shock		
Operating	125 g, 2 ms, half-sine	
Nonoperating	200 g, 2 ms, half-sine	
Random vibration		
Operating	0.75 g zero-to-peak, 10 Hz to 500 Hz, 0.25 oct/min sweep rate	

	Metric	U.S.
Nonoperating	1.50 g zero-to-peak, 10 Hz to 500 Hz, 0.5 oct/min sweep rate	

NOTE: Applicable product safety standards specify thermal limits for plastic surfaces. The computer operates well within this range of temperatures.

35.6-cm (14.0-in), HD display specifications

	Metric	U.S.
Dimensions		
Height	19.2 cm	7.56 in
Width	32.4 cm	12.76 in
Weight	350g max	12.35 oz
Surface treatment	Anti-glare	
Contrast ratio	300:1 (typical)	
Response time	8 ms	
Brightness	200 nits (typical)	
Luminance uniformity	1.4 (typ)	
	1.5 (max)	
Color depth	6 bit	
Format	1366 × 768	
Color gamut	45% typ	
Backlight	LED	
DCLK	69.3 MHz	
Viewing angle	SVA	

35.6-cm (14.0-in), HD+ display specifications

	Metric	U.S.
Dimensions		
Height	20.6 cm	8.11 in
Width	32.1 cm	12.64 in
Weight	325 g max	11.46 oz
Surface treatment	Anti-glare	
Contrast ratio	300:1 (typical)	
Response time	8 ms	
Brightness	200 nits (typical)	
Pixel resolution		
Pixel pitch	0.1935 mm × 0.1935 mm	
Resolution	1600 × 900	
Active area	309.6 × 174.15	
Backlight	LED	
Color gamut	45% NTSC @CIE1931	
DLCK	107.8 MHz	
Viewing angle @ CR>10	15/35/45/45 (Up/Down/Left/Right)	

Hard drive specifications

	750-GB*	500-GB*	320-GB*	250-GB*
Dimensions				
Height	9.5 mm	9.5 mm	9.5 mm	9.5 mm
Width	70 mm	70 mm	70 mm	70 mm
Weight	115 g	101 g	101 g	101 g
Interface type	SATA	SATA	SATA	SATA
Transfer rate	100 MB/sec	100 MB/sec	100 MB/sec	100 MB/sec
Security	ATA security	ATA security	ATA security	ATA security
Seek times (typical read, including setting)				
Single track	1.5 ms	3 ms	3 ms	3 ms
Average	11 ms	13 ms	13 ms	13 ms
Maximum	14 ms	24 ms	24 ms	24 ms
Logical blocks	1,465,149,168	1,048,576,000	625,141,400	488,397,168
Disc rotational speed	7200 rpm			
Operating temperature	5°C to 55°C (41°F to 131°F)			
*1 GB = 1 billion bytes when referring to hard drive storage capacity. Actual accessible capacity is less. Actual drive specifications may differ slightly.				
NOTE: Certain restrictions and exclusions apply. Contact technical support for details.				

DVD±RW and CD-RW SuperMulti DL Combo Drive specifications

Applicable disc	Read: CD-DA, CD+(E)G, CD-MIDI, CD-TEXT, CD-ROM, CD-ROM XA, MIXED MODE CD, CD-I, CD-I Bridge (Photo-CD, Video CD), Multisession CD (Photo-CD, CD-EXTRA, Portfolio, CD-R, CD-RW), CD-R, CD-RW, DVD-ROM (DVD-5, DVD-9, DVD-10, DVD-18), DVD-R, DVD-RW, DVD+R, DVD+RW, DVD-RAM	Write: CD-R and CD-RW DVD+R, DVD+RW, DVD-R, DVD-RW, DVD-RAM
Center hole diameter	1.5 cm (0.59 in)	
Disc diameter		
Standard disc	12 cm (4.72 in)	
Mini disc	8 cm (3.15 in)	
Disc thickness	1.2 mm (0.047 in)	
Track pitch	0.74 µm	
Access time	CD	DVD
Random	< 175 ms	< 230 ms
Full stroke	< 285 ms	< 335 ms
Audio output level	Line-out, 0.7 Vrms	
Cache buffer	2 MB	
Data transfer rate		
24X CD-ROM	3,600 KB/sec	
8X DVD-ROM	10,800 KB/sec	
24X CD-R	3,600 KB/sec	
16X CD-RW	2,400 KB/sec	
8X DVD+R	10,800 KB/sec	
4X DVD+RW	5,400 KB/sec	
8X DVD-R	10,800 KB/sec	
4X DVD-RW	5,400 KB/sec	
2.4X DVD+R(9)	2,700 KB/sec	
5X DVD-RAM	6,750 KB/sec	
Transfer mode	Multiword DMA Mode	
Startup time	< 15 seconds	
Stop time	< 6 seconds	

Blu-ray Disc ROM with SuperMulti DVD±R/RW DL Drive

Applicable disc	Read:	Write:		
	CD-DA, CD+(E)G, CD-MIDI, CDTEXT, CD-ROM, CD-ROM XA, MIXED MODE CD, CD-I, CD-I Bridge (Photo-CD, Video CD), Multisession CD (Photo-CD, CD-EXTRA, Portfolio, CD-R, CD-RW), CD-R, CD-RW, DVDROM (DVD-5, DVD-9, DVD-10, DVD-18), DVD-R, DVD-RW, DVD+R, DVD+RW, DVD-RAM, HD-ROM (Single Layer), HD-ROM (Dual Layer), HD DVD-R, HD DVD-R for Dual Layer, HD DVD-RW	CD-R and CD-RW DVD+R, DVD+R(9), DVD+RW, DVD-R, DVD-R(9), DVD-RW, DVD-RAM		
Access time	CD	DVD	HD	
Random	170 ms	170 ms	230 ms	
Cache buffer	8 MB			
Data transfer rate				
24X CD-ROM	3,600 KB/sec			
8X DVD	10,800 KB/sec			
24X CD-R	3,600 KB/sec			
16X CD-RW	2,400 KB/sec			
8X DVD+R	10,800 KB/sec			
4X DVD+RW	5,400 KB/sec			
8X DVD-R	10,800 KB/sec			
4X DVD-RW	5,400 KB/sec			
2.4X DVD+R(9)	2,700 KB/sec			
5X DVD-RAM	6,750 KB/sec			
1X BD-ROM	4,500 KB/sec			
1X BD-R read	4,500 KB/sec			
1X BD-RE read	4,500 KB/sec			
Transfer mode	Multiword DMA Mode			

Blu-ray BD-R/RE + DVDSM DL Drive

Applicable disc	Read:	Write:	
	CD-DA, CD+(E)G, CD-MIDI, CD-TEXT, CD-ROM, CD-ROM XA, MIXED MODE CD, CD-I, CD-I Bridge (Photo-CD, Video CD), Multisession CD (Photo-CD, CD-EXTRA, Portfolio, CD-R, CD-RW), CD-R, CD-RW, DVD-ROM (DVD-5, DVD-9, DVD-10, DVD-18), DVD-R, DVD-RW, DVD+R, DVD+RW, DVD-RAM, BD-ROM, BD-R, BD-RE	CD-R, CD-RW, DVD+R, DVD+R(9), DVD+RW, DVD-R, DVD-R(9), DVD-RW, DVD-RAM, BD-R, BD-RE	
Access time	CD	DVD	BD-ROM
Random	<180 ms	<180 ms	<230 ms
Maximum Media Capacity (read)	50 GB		
Maximum Media Capacity (write)	8.5 GB		
Data transfer rate			
24X CD-ROM	3,600 KB/sec		
8X DVD	10,800 KB/sec		
2X BD-ROM	9,000 KB/sec		
16X CD-R	3,600 KB/sec		
16X CD-RW	2,400 KB/sec		
8X DVD+R	10,800 KB/sec		
6X DVD+RW	8,100 KB/sec		
8X DVD-R	10,800 KB/sec		
6X DVD-RW	8,100 KB/sec		
4X DVD+R Dual Layer	5,400 KB/sec		
4X DVD-R Dual Layer	5,400 KB/sec		
5X DVD-RAM	6,750 KB/sec		
2X BD-R	9,000 KB/sec		
2X BD-RE	9,000 KB/sec		

DVD-ROM Drive specifications

Applicable disc	DVD-ROM (DVD-5, DVD-9, DVD-10, DVD-18, CD-ROM (Mode 1 and 2), CD Digital Audio, CD-XA ready (Mode 2, Form 1 and Form 2), CD-I (Mode 2, Form 1 and Form 2), CD-R, CD-RW, Photo CD (single and multisession), CD-Bridge	
Center hole diameter	1.5 cm (0.59 in)	
Disc diameter		
Standard disc	12 cm (4.72 in)	
Mini disc	8 cm (3.15 in)	
Disc thickness	1.2 mm (0.047 in)	
Track pitch	0.74 μ m	
Access time	CD	DVD
Random	< 100 ms	< 125 ms
Full stroke	< 175 ms	< 225 ms
Audio output level	Line-out, 0.7 Vrms	
Cache buffer	512 KB	
Data transfer rate		
CD-R (24X)	3600 KB/s (150 KB/s at 1X CD rate)	
CD-RW (10X)	1500 KB/s (150 KB/s at 1X CD rate)	
CD-ROM (24X)	3600 KB/s (150 KB/s at 1X CD rate)	
DVD (8X)	10,800 KB/s (1,352 KB/s at 1X DVD rate)	
Multiword DMA mode 2	16.6 MB/s	
Startup time	< 10 seconds	
Stop time	< 3 seconds	

Specification information in Device Manager

Device Manager allows you to view and control the hardware attached to the computer, as well as provides hardware specification information.

You can also add hardware or modify device configurations using Device Manager.



NOTE: Windows 7 and Windows Vista include the User Account Control feature to improve the security of your computer. You may be prompted for your permission or password for tasks such as installing software, running utilities, or changing Windows settings. Refer to Windows Help and Support for more information.

After you open Device Manager, drill-down to a device and double-click it to access its properties.

To access Device Manager in Windows 7:

1. Select **Start > Computer > System properties**.
2. In the left pane, click **Device Manager**.

To access Device Manager in Windows Vista:

1. Select **Start > Computer > System properties**.
2. In the left pane, click **Device Manager**.

To access Device Manager in Windows XP:

1. Select **Start > My Computer**.
2. In the left pane of the System Tasks window, select **View system information**.
3. Select **Hardware** tab > **Device Manager**.

7 Backup and recovery


Windows 7

- [Backing up your information](#)
- [Performing a system recovery](#)


To protect your information, use Windows Backup and Restore to back up individual files and folders, back up your entire hard drive (select models only), create system repair discs (select models only) by using the installed optical drive (select models only) or an optional external optical drive, or create system restore points. In case of system failure, you can use the backup files to restore the contents of your computer.

Windows Backup and Restore provides the following options:

- Creating a system repair disc (select models only) by using the installed optical drive (select models only) or an optional external optical drive
- Backing up your information
- Creating a system image (select models only)
- Scheduling automatic backups (select models only)
- Creating system restore points
- Recovering individual files
- Restoring the computer to a previous state
- Recovering information using recovery tools

 **NOTE:** For detailed instructions, perform a search for these topics in Help and Support.

In case of system instability, HP recommends that you print the recovery procedures and save them for later use.

 **NOTE:** Windows includes the User Account Control feature to improve the security of your computer. You may be prompted for your permission or password for tasks such as installing software, running utilities, or changing Windows settings. Refer to Help and Support for more information.

Backing up your information

Recovery after a system failure is as good as your most recent backup. You should create system repair discs (select models only) by using the installed optical drive (select models only) or an optional external optical drive, and your initial backup immediately after software setup. As you add

new software and data files, you should continue to back up your system on a regular basis to maintain a reasonably current backup. The system repair discs (select models only) are used to start up (boot) the computer and repair the operating system in case of system instability or failure. Your initial and subsequent backups allow you to restore your data and settings if a failure occurs.

You can back up your information to an optional external hard drive, a network drive, or discs.

Note the following when backing up:

- Store personal files in the Documents library, and back it up regularly.
- Back up templates that are stored in their associated programs.
- Save customized settings that appear in a window, toolbar, or menu bar by taking a screen shot of your settings. The screen shot can be a time-saver if you have to reset your preferences.
- When backing up to discs, use any of the following types of discs (purchased separately): CD-R, CD-RW, DVD+R, DVD+R DL, DVD-R, DVD-R DL, or DVD±RW. The discs you use will depend on the type of optical drive installed in your computer or the type of external optical drive you are using.



NOTE: DVDs and DVDs with double-layer (DL) support store more information than CDs, so using them for backup reduces the number of recovery discs required.

- When backing up to discs, number each disc before inserting it into the optical drive of the computer.

To create a backup using Backup and Restore:



NOTE: Be sure that the computer is connected to AC power before you start the backup process.



NOTE: The backup process may take over an hour, depending on file size and the speed of the computer.

1. Select **Start > All Programs > Maintenance > Backup and Restore**.
2. Follow the on-screen instructions to set up your backup, create a system image (select models only), or create a system repair disc (select models only).

Performing a system recovery

In case of system failure or instability, the computer provides the following tools to recover your files:

- Windows recovery tools: You can use Windows Backup and Restore to recover information you have previously backed up. You can also use Windows Startup Repair to fix problems that might prevent Windows from starting correctly.
- f11 recovery tools: You can use the f11 recovery tools to recover your original hard drive image. The image includes the Windows operating system and software programs installed at the factory.




NOTE: If you are unable to boot (start up) your computer and you cannot use the system repair discs you previously created (select models only), you must purchase a Windows 7 operating system DVD to reboot the computer and repair the operating system. For additional information, refer to [Using a Windows 7 operating system DVD \(purchased separately\) on page 139](#).

Using the Windows recovery tools

To recover information you previously backed up:

1. Select **Start > All Programs > Maintenance > Backup and Restore**.
2. Follow the on-screen instructions to recover your system settings, your computer (select models only), or your files.


To recover your information using Startup Repair, follow these steps:

 **CAUTION:** Using Startup Repair completely erases hard drive contents and reformats the hard drive. All files you have created and any software installed on the computer are permanently removed. When reformatting is complete, the recovery process restores the operating system, as well as the drivers, software, and utilities from the backup used for recovery.


1. If possible, back up all personal files.
2. If possible, check for the presence of the Windows partition and the HP Recovery partition.

To check for the Windows partition, select **Start > Computer**.


To check for the HP Recovery partition, click **Start**, right-click **Computer**, click **Manage**, and then click **Disk Management**.

 **NOTE:** If the Windows partition and the HP Recovery partition are not listed, you must recover your operating system and programs using the Windows 7 operating system DVD and the *Driver Recovery* disc (both purchased separately). For additional information, refer to [Using a Windows 7 operating system DVD \(purchased separately\) on page 139](#).

3. If the Windows partition and the HP Recovery partition are listed, restart the computer, and then press **F8** before the Windows operating system loads.
4. Select **Startup Repair**.
5. Follow the on-screen instructions.


 **NOTE:** For additional information on recovering information using the Windows tools, perform a search for these topics in Help and Support.

Using f11 recovery tools

 **CAUTION:** Using **F11** completely erases hard drive contents and reformats the hard drive. All files you have created and any software installed on the computer are permanently removed. The **F11** recovery tool reinstalls the operating system and HP programs and drivers that were installed at the factory. Software not installed at the factory must be reinstalled.

To recover the original hard drive image using **F11**:


1. If possible, back up all personal files.
2. If possible, check for the presence of the HP Recovery partition: click **Start**, right-click **Computer**, click **Manage**, and then click **Disk Management**.

 **NOTE:** If the HP Recovery partition is not listed, you must recover your operating system and programs using the Windows 7 operating system DVD and the *Driver Recovery* disc (both purchased separately). For additional information, refer to [Using a Windows 7 operating system DVD \(purchased separately\) on page 139](#).


3. If the HP Recovery partition is listed, restart the computer, and then press **esc** while the “Press the ESC key for Startup Menu” message is displayed at the bottom of the screen.
4. Press **f11** while the “Press <F11> for recovery” message is displayed on the screen.
5. Follow the on-screen instructions.

Using a Windows 7 operating system DVD (purchased separately)

To order a Windows 7 operating system DVD, go to <http://www.hp.com/support>, select your country or region, and follow the on-screen instructions. You can also order the DVD by calling technical support. For contact information, refer to the *Worldwide Telephone Numbers* booklet included with the computer.

 **CAUTION:** Using a Windows 7 operating system DVD completely erases hard drive contents and reformats the hard drive. All files you have created and any software installed on the computer are permanently removed. When reformatting is complete, the recovery process helps you restore the operating system, as well as drivers, software, and utilities.

To initiate recovery using a Windows 7 operating system DVD:

 **NOTE:** This process takes several minutes.


1. If possible, back up all personal files.
2. Restart the computer, and then insert the Windows 7 operating system DVD into the optical drive before the Windows operating system loads.
3. When prompted, press any keyboard key.
4. Follow the on-screen instructions.
5. Click **Next**.
6. Select **Repair your computer**.
7. Follow the on-screen instructions.


Windows Vista


To protect your information, use the Backup and Restore Center to back up individual files and folders, back up your entire hard drive (select models only), or create system restore points. In case of system failure, you can use the backup files to restore the contents of your computer.

The Backup and Restore Center provides the following options:

- Backing up individual files and folders
- Backing up the entire hard drive (select models only)
- Scheduling automatic backups (select models only)
- Creating system restore points
- Recovering individual files
- Restoring the computer to a previous state
- Recovering information using recovery tools

 **NOTE:** For detailed instructions, perform a search for these topics in Help and Support.

 **NOTE:** In case of system instability, HP recommends that you print the recovery procedures and save them for later use.

 **NOTE:** Windows® includes the User Account Control feature to improve the security of your computer. You may be prompted for your permission or password for tasks such as installing software, running utilities, or changing Windows settings. Refer to Help and Support for more information.


Backing up your information

Recovery after a system failure is as complete as your most current backup. You should create your initial backup immediately after software setup. As you add new software and data files, you should continue to back up your system on a regular basis to maintain a reasonably current backup.

You can back up your information to an optional external hard drive, a network drive, or discs.


Note the following when backing up:


- Store personal files in the Documents folder, and back it up regularly.
- Back up templates that are stored in their associated programs.
- Save customized settings that appear in a window, toolbar, or menu bar by taking a screen shot of your settings. The screen shot can be a time-saver if you have to reset your preferences.
- When backing up to discs, use any of the following types of discs (purchased separately): CD-R, CD-RW, DVD+R, DVD+R DL, DVD-R, DVD-R DL, or DVD±RW. The discs you use will depend on the type of optical drive installed in your computer.

 **NOTE:** DVDs and DVDs with double-layer (DL) support store more information than CDs, so using them for backup reduces the number of recovery discs required.

- When backing up to discs, number each disc before inserting it into the optical drive of the computer.

To create a backup using Backup and Restore Center:

 **NOTE:** Be sure that the computer is connected to AC power before you start the backup process.


 **NOTE:** The backup process may take over an hour, depending on file size and the speed of the computer.

1. Select **Start > All Programs > Maintenance > Backup and Restore Center**.
2. Follow the on-screen instructions to back up your entire computer (select models only) or your files.

Performing a recovery

In case of system failure or instability, the computer provides the following tools to recover your files:

- Windows recovery tools: You can use the Backup and Restore Center to recover information you have previously backed up. You can also use Windows Startup Repair to fix problems that might prevent Windows from starting correctly.
- f11 recovery tools: You can use the f11 recovery tools to recover your original hard drive image. The image includes the Windows operating system and software programs installed at the factory.


 **NOTE:** If you are unable to boot (start up) your computer, you must purchase a Windows Vista® operating system DVD to reboot the computer and repair the operating system. For additional information, refer to [Using a Windows Vista operating system DVD \(purchased separately\) on page 142](#).

Using the Windows recovery tools


To recover information you previously backed up:

1. Select **Start > All Programs > Maintenance > Backup and Restore Center**.
2. Follow the on-screen instructions to recover your entire computer (select models only) or your files.

To recover your information using Startup Repair, follow these steps:


 **CAUTION:** Using Startup Repair completely erases hard drive contents and reformats the hard drive. All files you have created and any software installed on the computer are permanently removed. When reformatting is complete, the recovery process restores the operating system, as well as the drivers, software, and utilities from the backup used for recovery.

1. If possible, back up all personal files.
2. If possible, check for the presence of the Windows partition and the HP Recovery partition. To find the partitions, select **Start > Computer**.


 **NOTE:** If the Windows partition and the HP Recovery partition have been deleted, you must recover your operating system and programs using the Windows Vista operating system DVD and the *Driver Recovery* disc (both purchased separately). For additional information, refer to [Using a Windows Vista operating system DVD \(purchased separately\) on page 142](#).


3. Restart the computer, and then press **f8** before the Windows operating system loads.

4. Select **Repair your computer**.
5. Follow the on-screen instructions.

 **NOTE:** For additional information on recovering information using the Windows tools, perform a search for these topics in Help and Support.


Using f11 recovery tools

 **CAUTION:** Using **f11** completely erases hard drive contents and reformats the hard drive. All files you have created and any software installed on the computer are permanently removed. The **f11** recovery tool reinstalls the operating system and HP programs and drivers that were installed at the factory. Software not installed at the factory must be reinstalled. Personal files must be restored from a backup.

 **NOTE:** If your computer includes a solid-state drive (SSD), you may not have a recovery partition. Recovery discs have been included for computers that do not have a partition. Use these discs to recover your operating system and software. To check for the presence of a recovery partition, select **Start > Computer**. If the partition is present, an HP Recovery drive is listed in the Hard Disk Drives section of the window.

To recover the original hard drive image using **f11**, follow these steps:


1. If possible, back up all personal files.
2. If possible, check for the presence of the HP Recovery partition. To find the partition, select **Start > Computer**.

 **NOTE:** If the HP Recovery partition has been deleted, you must recover your operating system and programs using the Windows Vista operating system DVD and the *Driver Recovery* disc (both purchased separately). For additional information, refer to [Using a Windows Vista operating system DVD \(purchased separately\) on page 142](#).

3. Turn on or restart the computer, and then press **esc** while the “Press the ESC key for Startup Menu” message is displayed at the bottom of the screen.
4. Press **f11** while the “Press <F11> for recovery” message is displayed on the screen.
5. Follow the on-screen instructions.

Using a Windows Vista operating system DVD (purchased separately)

To order a Windows Vista operating system DVD, go to <http://www.hp.com/support>, select your country or region, and follow the on-screen instructions. You can also order the DVD by calling technical support. For contact information, refer to the *Worldwide Telephone Numbers* booklet included with the computer.

 **CAUTION:** Using a Windows Vista operating system DVD completely erases hard drive contents and reformats the hard drive. All files you have created and any software installed on the computer are permanently removed. When reformatting is complete, the recovery process helps you restore the operating system, as well as drivers, software, and utilities.

To initiate recovery using a Windows Vista operating system DVD:



NOTE: This process takes several minutes.

1. If possible, back up all personal files.
2. Restart the computer, and then insert the Windows Vista operating system DVD into the optical drive before the Windows operating system loads.
3. When prompted, press any keyboard key.
4. Follow the on-screen instructions.
5. Click **Next**.
6. Select **Repair your computer**.
7. Follow the on-screen instructions.

8 Power cord set requirements

The wide range input feature of the computer permits it to operate from any line voltage from 100 to 120 volts AC, or from 220 to 240 volts AC.

The 3-conductor power cord set included with the computer meets the requirements for use in the country or region where the equipment is purchased.

Power cord sets for use in other countries and regions must meet the requirements of the country or region where the computer is used.

Requirements for all countries and regions

The requirements listed below are applicable to all countries and regions:

- The length of the power cord set must be at least 1.5 m (5.0 ft) and no more than 2.0 m (6.5 ft).
- All power cord sets must be approved by an acceptable accredited agency responsible for evaluation in the country or region where the power cord set will be used.
- The power cord sets must have a minimum current capacity of 10 amps and a nominal voltage rating of 125 or 250 V AC, as required by the power system of each country or region.
- The appliance coupler must meet the mechanical configuration of an EN 60 320/IEC 320 Standard Sheet C13 connector for mating with the appliance inlet on the back of the computer.

Requirements for specific countries and regions

Country/region	Accredited agency	Applicable note number
Australia	EANSW	1
Austria	OVE	1
Belgium	CEBC	1
Canada	CSA	2
Denmark	DEMKO	1
Finland	FIMKO	1
France	UTE	1
Germany	VDE	1
Italy	IMQ	1
Japan	METI	3
The Netherlands	KEMA	1
Norway	NEMKO	1
The People's Republic of China	CCC	5
South Korea	EK	4
Sweden	SEMKO	1
Switzerland	SEV	1
Taiwan	BSMI	4
The United Kingdom	BSI	1
The United States	UL	2

1. The flexible cord must be Type HO5VV-F, 3-conductor, 1.0-mm² conductor size. Power cord set fittings (appliance coupler and wall plug) must bear the certification mark of the agency responsible for evaluation in the country or region where it will be used.
2. The flexible cord must be Type SPT-3 or equivalent, No. 18 AWG, 3-conductor. The wall plug must be a two-pole grounding type with a NEMA 5-15P (15 A, 125 V) or NEMA 6-15P (15 A, 250 V) configuration.
3. The appliance coupler, flexible cord, and wall plug must bear a "T" mark and registration number in accordance with the Japanese Dentori Law. The flexible cord must be Type VCT or VCTF, 3-conductor, 1.00-mm² conductor size. The wall plug must be a two-pole grounding type with a Japanese Industrial Standard C8303 (7 A, 125 V) configuration.
4. The flexible cord must be Type RVV, 3-conductor, 0.75-mm² conductor size. Power cord set fittings (appliance coupler and wall plug) must bear the certification mark of the agency responsible for evaluation in the country or region where it will be used.
5. The flexible cord must be Type VCTF, 3-conductor, 0.75-mm² conductor size. Power cord set fittings (appliance coupler and wall plug) must bear the certification mark of the agency responsible for evaluation in the country or region where it will be used.

9 Recycling

Battery

When a battery has reached the end of its useful life, do not dispose of the battery in general household waste. Follow the local laws and regulations in your area for computer battery disposal.

Display

-
- ⚠ **WARNING!** The backlight contains mercury. Exercise caution when removing and handling the backlight to avoid damaging this component and causing exposure to the mercury.
 - ⚠ **CAUTION:** The procedures in this chapter can result in damage to display components. The only components intended for recycling purposes are the LCD panel and the backlight. When you remove these components, handle them carefully.
 - 📄 **NOTE: Materials Disposal.** This HP product contains mercury in the backlight in the display assembly that might require special handling at end-of-life. Disposal of mercury may be regulated because of environmental considerations. For disposal or recycling information, contact your local authorities, or see the Electronic Industries Alliance (EIA) Web site at <http://www.eiae.org>.
-

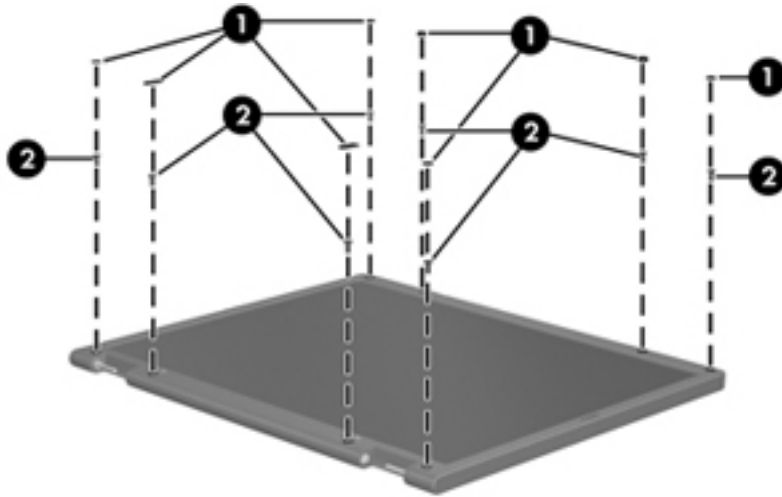
This section provides disassembly instructions for the display assembly. The display assembly must be disassembled to gain access to the backlight **(1)** and the liquid crystal display (LCD) panel **(2)**.



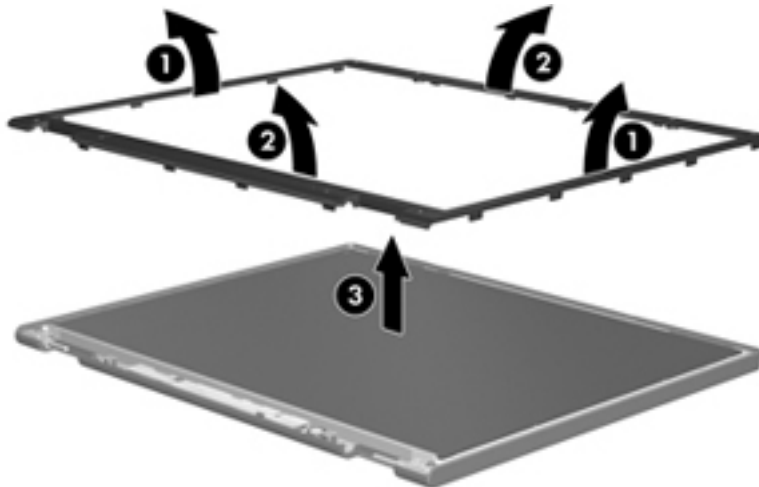
-
- 📄 **NOTE:** The procedures provided in this chapter are general disassembly instructions. Specific details, such as screw sizes, quantities, and locations, and component shapes and sizes, can vary from one computer model to another.
-

Perform the following steps to disassemble the display assembly:

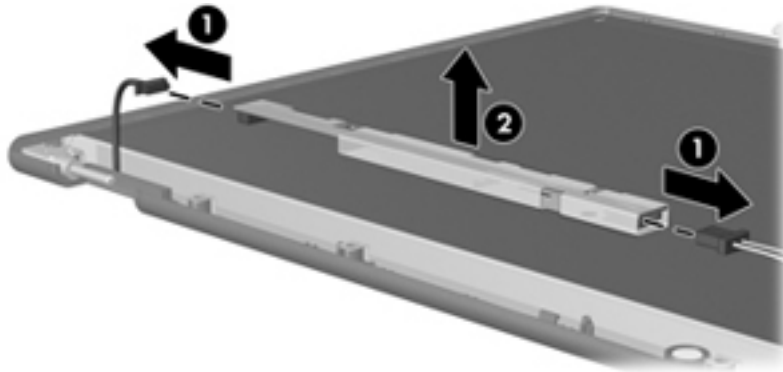
1. Remove all screw covers (1) and screws (2) that secure the display bezel to the display assembly.



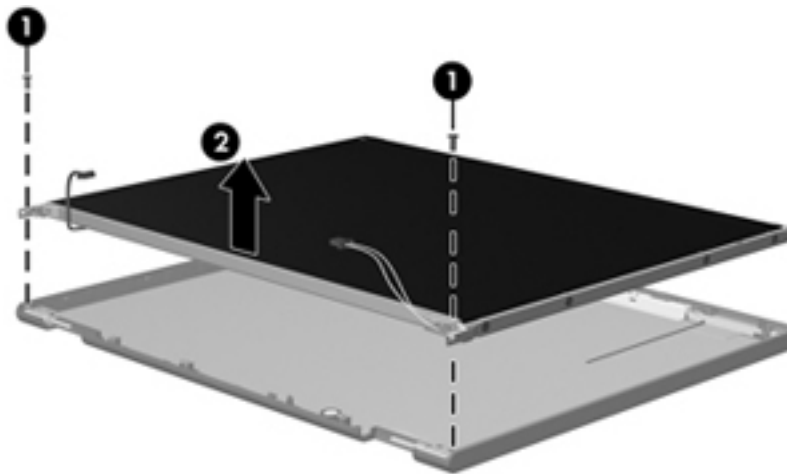
2. Lift up and out on the left and right inside edges (1) and the top and bottom inside edges (2) of the display bezel until the bezel disengages from the display assembly.
3. Remove the display bezel (3).



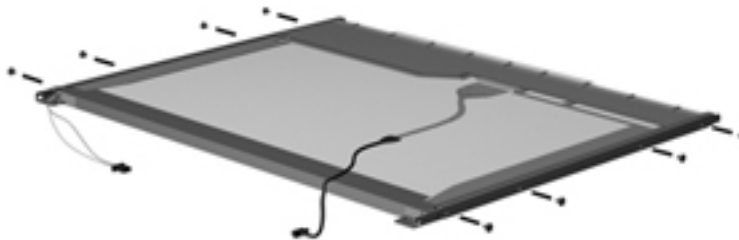
4. Disconnect all display panel cables (1) from the display inverter and remove the inverter (2).



5. Remove all screws (1) that secure the display panel assembly to the display enclosure.
6. Remove the display panel assembly (2) from the display enclosure.

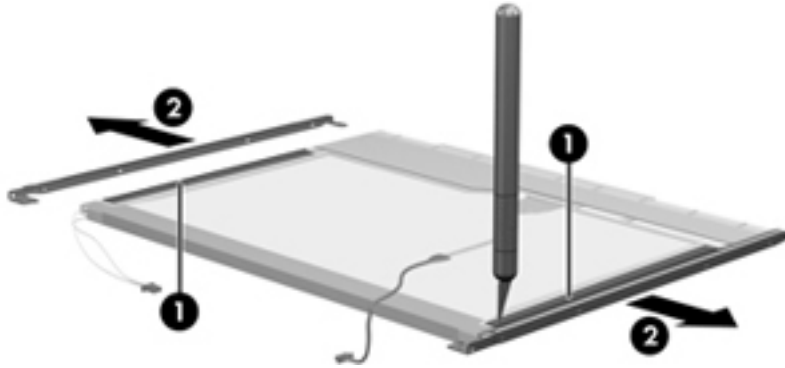


7. Position the display panel assembly upside-down.
8. Remove all screws that secure the display panel frame to the display panel.

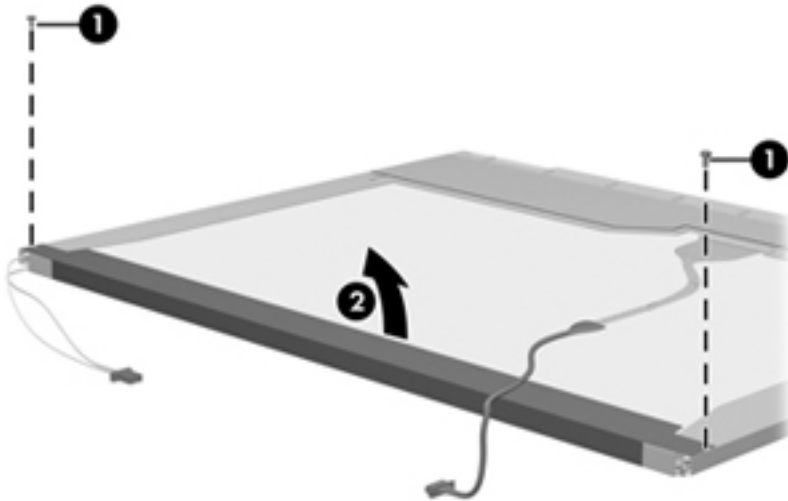


9. Use a sharp-edged tool to cut the tape (1) that secures the sides of the display panel to the display panel frame.

10. Remove the display panel frame (2) from the display panel.

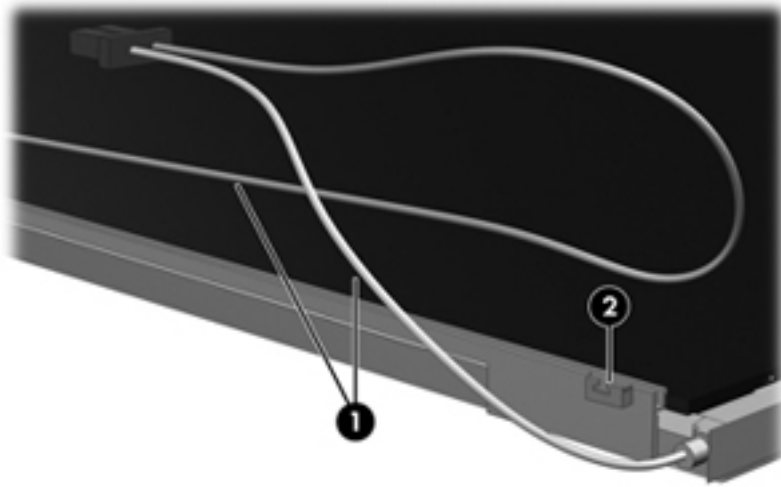


11. Remove the screws (1) that secure the backlight cover to the display panel.
12. Lift the top edge of the backlight cover (2) and swing it outward.



13. Remove the backlight cover.
14. Position the display panel right-side up.

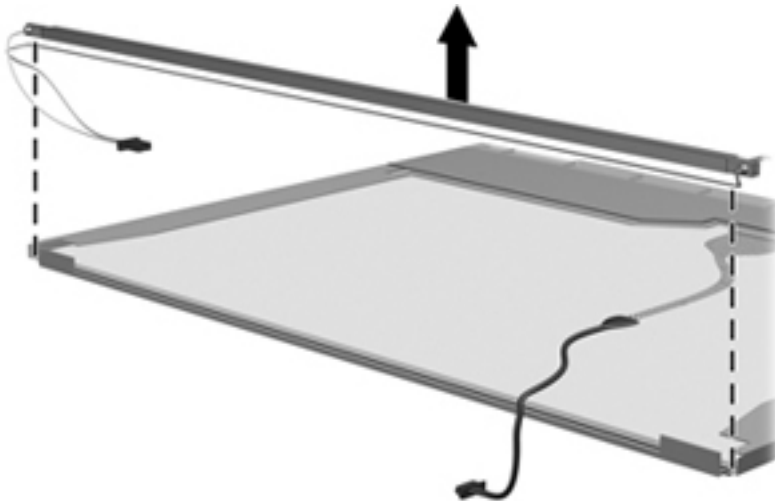
15. Remove the backlight cables (1) from the clip (2) in the display panel.



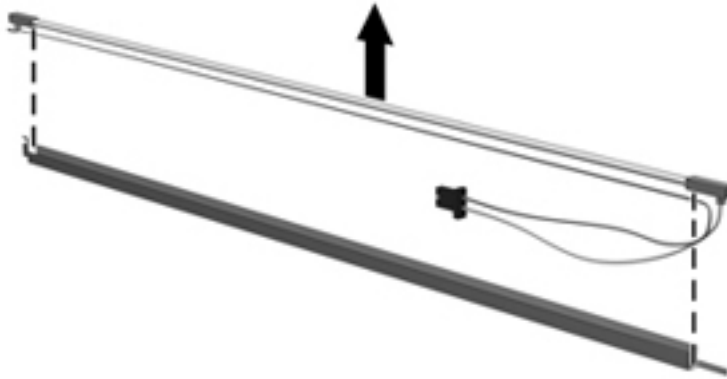
16. Position the display panel upside-down.

⚠ WARNING! The backlight contains mercury. Exercise caution when removing and handling the backlight to avoid damaging this component and causing exposure to the mercury.

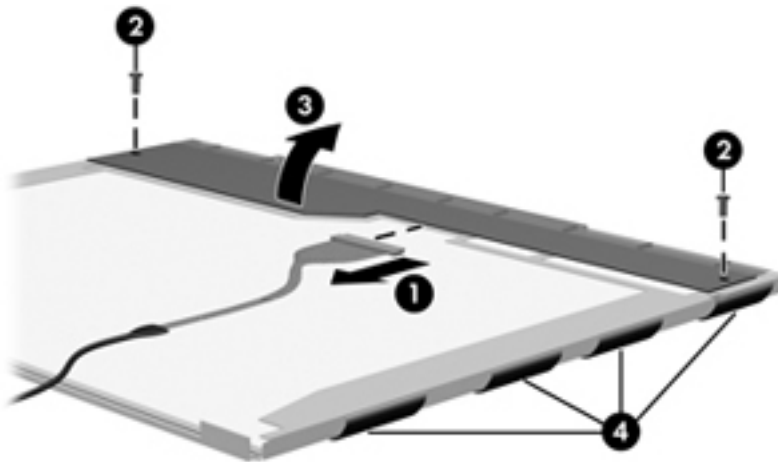
17. Remove the backlight frame from the display panel.



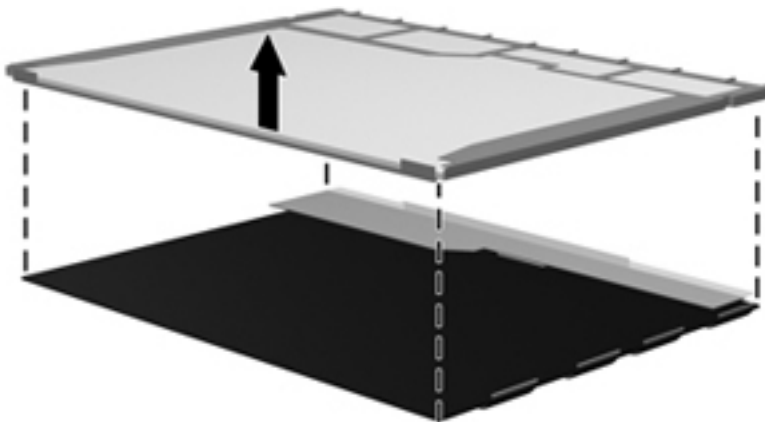
18. Remove the backlight from the backlight frame.



19. Disconnect the display panel cable (1) from the LCD panel.
20. Remove the screws (2) that secure the LCD panel to the display rear panel.
21. Release the LCD panel (3) from the display rear panel.
22. Release the tape (4) that secures the LCD panel to the display rear panel.



23. Remove the LCD panel.



24. Recycle the LCD panel and backlight.

Index

Symbols/Numerics

1394 port, identifying 21

A

AC adapter, spare part numbers
42, 45

accessory battery connector,
identifying 25

ambient light sensor
identifying 11
spare part number 54

antennas
disconnecting 81, 86

audio, product description 4

audio-in (microphone) jack 23, 24

audio-out (headphone) jack 23,
24

B

Backup and Restore 137

Backup and Restore Center 140,
141

base enclosure, spare part
number 35, 50

battery
removal 63
spare part number 35, 63

battery bay 25

battery light 20

battery release latch 25

BIOS

determining version 125

downloading an update 125

updating 125

Blu-ray BD-R/RE + DVDSM DL
Drive, specifications 133

Blu-ray BD-R/RE DVD±RW
SuperMulti DL Drive
spare part number 34, 53, 72

Blu-ray Disc ROM with SuperMulti
DVD±R/RW DL Drive

spare part number 41

specifications 132

Blu-ray ROM DVD±RW SuperMulti
DL Drive, spare part number

34, 41, 53, 54, 72

Bluetooth cable, illustrated 39

Bluetooth compartment,
identifying 26

Bluetooth module
removal 88
spare part number 43
spare part numbers 35, 88

bottom cover
removal 98
spare part number 98

Bottom cover release latch,
identifying 25

bottom door
illustrated 40
removal 70
spare part number 70

buttons
left pointing stick button 13
left TouchPad 13
optical drive eject 21
power 17
QuickWeb 17
right pointing stick button 13
right TouchPad 13
TouchPad 16
TouchPad on/off 13
volume mute 17
wireless 17

C

Cable Kit

contents 39

spare part number 35, 39, 47

cables, service considerations 57

caps lock light, identifying 14

chipset, product description 2

components

bottom 25

display 10

front 20

left side 21

rear 22

right side 23

top 13

computer feet

locations 62

spare part number 62

Computer Setup

navigating and selecting 123

restoring factory settings 124

computer specifications 127

connector, docking 25

connector, power 21

connectors, service
considerations 57

D

diskette drive

precautions 57

display assembly

removal 110

spare part numbers 110

display assembly components

removal 65

spare part numbers 65

display bezel

removal 66, 112

- spare part number 54
- spare part numbers 36, 65
- Display Cable Kit
 - spare part number 37, 53
- display component recycling 146
- display components, spare part numbers 36
- display enclosure, spare part number 52
 - spare part number 37
- display hinge
 - removal 114
 - spare part number 50
- display hinge covers
 - spare part number 37, 53
- Display Hinge Kit
 - spare part number 37, 53
- Display Latch Kit
 - spare part number 38, 50
- display panel
 - product description 2
 - removal 68
 - spare part number 37, 53, 65
- display panel support kit 38, 54
- display release latch 20
- Display Rubber Kit, spare part number 38
- Display Screw Kit, spare part number 38, 53, 65
- display specifications 128, 129
- DisplayPort, identifying 23, 24
- docking connector, identifying 25
- docking support, product description 6
- drives
 - preventing damage 57
- DVD-ROM Drive
 - precautions 57
 - removal 72
 - spare part number 34, 41, 53, 54, 72
 - specifications 134
- DVD±RW and CD-RW SuperMulti DL Combo Drive
 - precautions 57
 - removal 72
 - spare part number 34, 41, 53, 54, 72

E

- electrostatic discharge 58
- embedded numeric keypad, identifying 19
- eSATA port, identifying 23, 24
- esc key, identifying 18
- Ethernet, product description 5
- ExpressCard assembly
 - removal 121
 - spare part number 29, 52, 121
- ExpressCard slot 21
- ExpressCard slot insert, illustrated
 - illustrated 40
- external media cards, product description 6
- external monitor port 22

F

- f11 recovery 138, 142
- fan
 - removal 90
 - spare part number 34, 50, 90
- feet
 - locations 62
 - spare part number 62
- fingerprint reader board
 - removal 102
 - spare part number 29
 - spare part numbers 102
- fingerprint reader board, spare part number 52
- fingerprint reader, identifying 17
- fn key, identifying 19
- function keys
 - identifying 18

G

- graphics, product description 2
- grounding equipment and methods 60

H

- hard drive
 - precautions 57
 - product description 3
 - removal 76
 - spare part numbers 34, 41, 45, 47, 76
 - specifications 130
- hard drive bracket, removal 77

- Hard Drive Hardware Kit, spare part number 41, 52
- hard drive light 21
- hard drive recovery 138, 142
- heat sink
 - removal 91
 - spare part number 34, 52, 91
- hinge
 - removal 114
 - spare part number 50
- HP QuickWeb light 15

I

- integrated webcam light, identifying 11
- internal display switch 10, 11
- internal microphones, identifying 10, 11

J

- jacks
 - audio-in (microphone) 23, 24
 - audio-out (headphone) 23, 24
 - network 22
 - RJ-11 (modem) 22
 - RJ-45 (network) 22

K

- keyboard
 - product description 6
 - removal 96
 - spare part numbers 29, 47, 48, 50, 96
- keypad, embedded numeric 19
- keys
 - esc 18
 - fn 19
 - function 18
 - menu 19
 - num lk 19
 - start 19

L

- latch, battery release 25
- latch, bottom cover release 25
- legacy support, USB 123
- lid switch
 - removal 104
 - spare part number 29, 52, 104
- light sensor, identifying 11

- lights
 - battery 20
 - caps lock 14
 - hard drive 21
 - HP QuickWeb 15
 - mute 15
 - num lock 15
 - power 14, 20
 - webcam 11
 - wireless 15, 20
- M**
 - mass storage devices, spare part numbers 41
 - Media Card Reader, identifying 21
 - memory module
 - product description 3
 - removal 79
 - spare part numbers 34, 79
 - memory module compartment, identifying 26
 - menu key, identifying 19
 - microphone (audio-in) jack
 - product description 4
 - microphone module
 - spare part number 37, 53, 65
 - Mobile Broadband Module, identifying 26
 - model name 1
 - modem module
 - product description 4
 - removal 89
 - spare part number 30, 45, 89
 - mute light, identifying 15
- N**
 - network jack, identifying 22
 - num lk key, identifying 19
 - num lock light 15
- O**
 - operating system, product description 7
 - optical drive
 - precautions 57
 - product description 4
 - removal 72
 - spare part numbers 34, 41, 72
 - specifications 131, 132, 133, 134
 - optical drive bezel, spare part number 55
 - optical drive eject button, identifying 21
 - optical drive protective insert
 - illustrated 40
 - optical drive, identifying 21
- P**
 - packing guidelines 59
 - plastic parts 56
 - Plastics Kit, spare part number 40, 47
 - pointing device, product description 6
 - pointing stick 13
 - pointing stick cable, illustrated 39
 - ports
 - 1394 21
 - DisplayPort 23, 24
 - eSATA 23, 24
 - external monitor 22
 - product description 6
 - USB 21, 23, 24
 - power button, identifying 17
 - power connector, identifying 21
 - power cord
 - set requirements 144
 - spare part numbers 42, 43
 - power light 14, 20
 - power requirements, product description 7
 - processor
 - product description 1
 - removal 94
 - spare part numbers 33, 47, 54, 55, 94
 - product description
 - audio 4
 - chipset 2
 - display panel 2
 - docking support 6
 - Ethernet 5
 - external media cards 6
 - graphics 2
 - hard drives 3
 - keyboard 6
 - memory module 3
 - microphone 4
 - modem module 4
 - operating system 7
 - optical drives 4
 - pointing devices 6
 - ports 6
 - power requirements 7
 - processors 1
 - product name 1
 - security 7
 - serviceability 9
 - webcam 4
 - wireless 5
- Q**
 - product name 1
 - QuickWeb button, identifying 17
- R**
 - recovery partition 138, 142
 - removal/replacement
 - preliminaries 56
 - procedures 61
 - restoring the hard drive 138, 142
 - RJ-11 (modem) jack, identifying 22
 - RJ-11 connector cable
 - illustrated 39
 - removal 108
 - RJ-11 jack, illustrated 40
 - RJ-45 (network) jack, identifying 22
 - RTC battery
 - removal 78
 - spare part number 29, 54, 78
 - Rubber Kit, spare part number 47
- S**
 - Screw Kit, spare part number 42, 47
 - security cable slot, identifying 23, 24
 - security, product description 7
 - service considerations 56
 - service tag 27, 61
 - serviceability, product description 9
 - setup utility
 - navigating and selecting 123
 - restoring factory settings 124
 - SIM slot, identifying 25
 - SIM, removal 64

- slots
 - ExpressCard 21
 - security cable 23, 24
- smart card reader
 - removal 71
 - spare part number 29, 52, 54, 71
- solid-state drive, spare part numbers 35, 41, 54, 55, 76
- speaker assembly
 - removal 106
 - spare part number 35, 50, 106
- speakers, identifying 21, 25
- specifications
 - Blu-ray BD-R/RE + DVDSM DL Drive 133
 - Blu-ray Disc ROM with SuperMulti DVD±R/RW DL Drive 132
 - computer 127
 - display 128, 129
 - DVD-ROM Drive 134
 - DVD±RW and CD-RW SuperMulti DL Combo Drive 131
 - hard drive 130
 - optical drive 131, 132, 133, 134
- start key, identifying 19
- static-shielding materials 60
- system board
 - removal 116
 - spare part numbers 29, 50, 54, 116
- system repair disc 136
- system restore points 136

T

- thermal material, replacement 92, 93
- tools required 56
- top cover
 - spare part numbers 29, 50
- TouchPad
 - buttons 13
- TouchPad on/off button 13
- TouchPad on/off button, identifying 16
- TouchPad, identifying 13

- transporting guidelines 59

U

- upgrade bay
 - removal 74
 - spare part number 74
- upgrade bay adapter
 - spare part number 41, 54, 74, 76
- USB 3.0 board
 - removal 120
 - spare part number 35, 52, 120
- USB legacy support 123
- USB ports, identifying 21, 23, 24

V

- vents, identifying 23, 24, 25
- volume mute button, identifying 17

W

- webcam 11, 12
 - product description 4
 - spare part number 36, 53, 65
- webcam light, identifying 11
- webcam, identifying 11, 12
- Windows 7 operating system
 - DVD 139
- Windows Backup and Restore 136
- Windows Vista operating system
 - DVD 142
- wireless antennas
 - disconnecting 81, 86
 - identifying 10
- wireless antennas, identifying 11
- wireless button, identifying 17
- wireless lights 15, 20
- wireless, identifying 26
- wireless, product description 5
- WLAN antennas
 - spare part number 37, 53
- WLAN antennas, identifying 10, 11
- WLAN module
 - removal 83
 - spare part number 30, 44, 83
- workstation guidelines 59

- WWAN antennas
 - identifying 10
 - spare part number 37, 53
- WWAN antennas, identifying 11
- WWAN module
 - removal 81
 - spare part number 34, 46, 81