



HP RP7 Adjustable Stand Installation Instructions



© Copyright 2012 Hewlett-Packard Development Company, L.P. The information contained herein is subject to change without notice. The only warranties for HP products and services are set forth in the express warranty statements accompanying such products and services. Nothing herein should be construed as constituting an additional warranty. HP shall not be liable for technical or editorial errors or omissions contained herein. Printed in

First Edition: May 2012



691058-001

Before Your Begin

Before installing the stand, be sure to power off the system and disconnect the power cord from the power outlet.

WARNING! To avoid the risk of serious injury, ensure that the power cord is unplugged from the electrical outlet at the wall before installing the stand. Failure to do so may expose you to the risk of electric shock.

CAUTION: To avoid the risk of damage to the system, ensure that the power cord is unplugged from the electrical outlet at the wall before installing the stand.

Online Technical Support

For the online access to technical support information, self-solve tools, online assistance, community forums or IT experts, broad multivendor knowledge base, monitoring and diagnostic tools, go to <http://www.hp.com/support>.

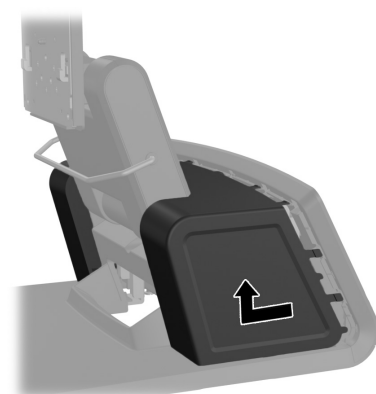
Localized Versions of this Document

Localized versions of this document are available at <http://www.hp.com> for the following languages:

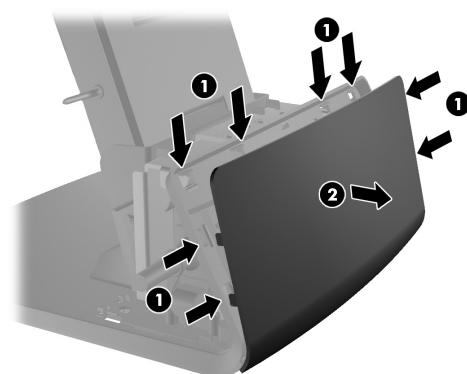
- Simplified Chinese
- Traditional Chinese
- Bahasa Indonesian
- Brazilian Portuguese
- Spanish
- Japanese
- Korean
- Thai
- German
- Italian
- Dutch
- English
- French

Installing the Stand

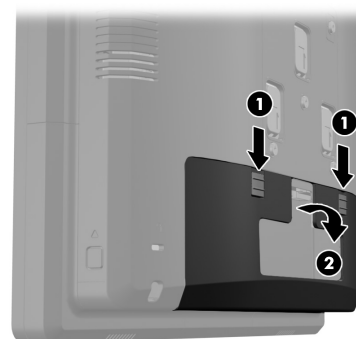
1. Pull the power supply cover back then lift it up and off the unit.



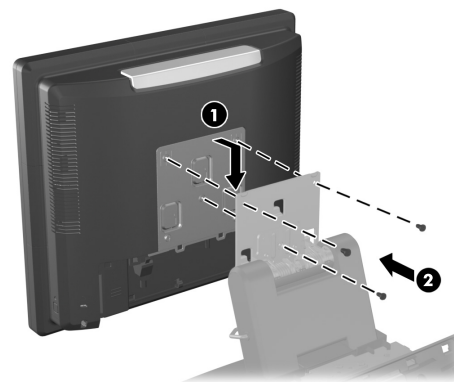
2. Remove the decorative panel on the rear of the unit by gently prying the panel away from the base at the tab locations on the top and sides of the panel as indicated below 1. Then pull the top of the panel away from the base 2 and push straight down on the panel to release the bottom tabs 3.



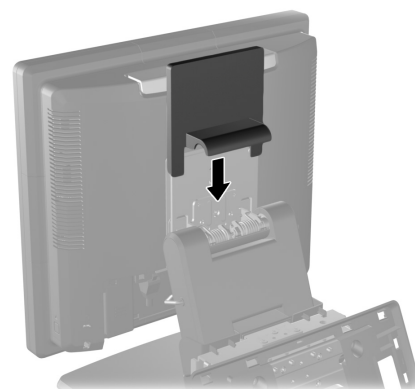
3. Slide down the two levers on the upper corners of the rear I/O panel 1 and rotate the cover off 2.



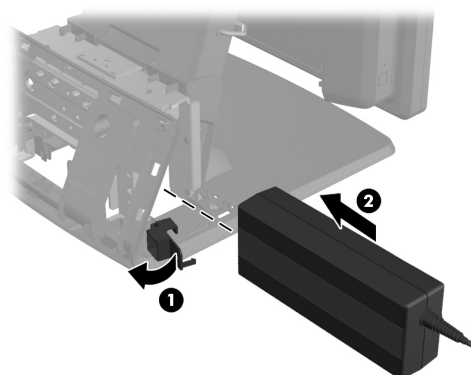
4. Attach the RP7 display panel to the stand's mounting bracket by aligning the slots on the display panel with the hooks on the mounting bracket and sliding the display down 1. Install the three screws included with the stand through the mounting bracket and into the display panel to secure it in place 2.



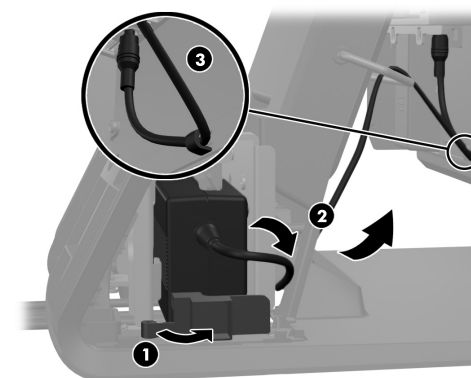
5. Slide the mounting bracket cover down over the stand's mounting bracket.



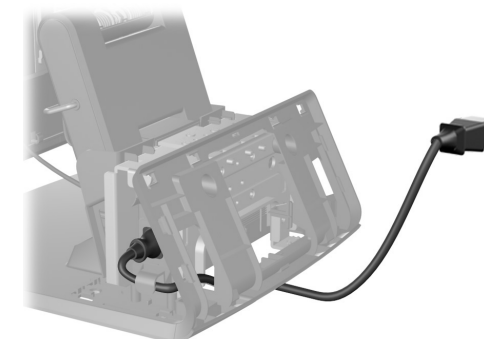
6. Rotate open the small door at the base of the power supply housing 1 and slide the power supply brick into the housing 2.



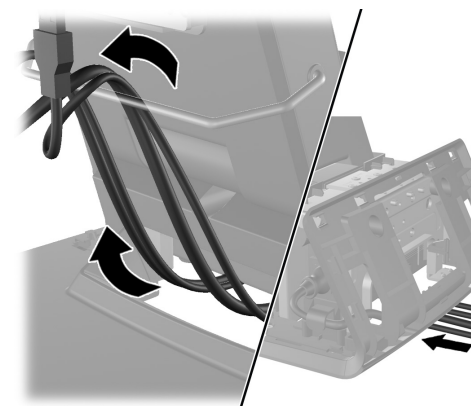
7. Close the small door at the base of the power supply housing 1. Route the power supply cord through side of the base, then out through the center of the base 2 and up through the cable retainer on the neck of the stand. Insert the cord into the cable retainer clip next to the power port 3 and connect the cord to the DC In power port.



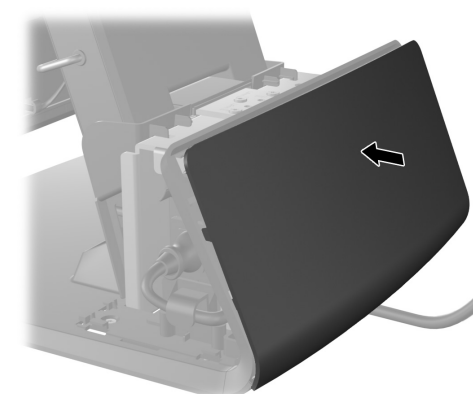
8. Route the AC power cord through the bottom of the stand's base, then through the cavity inside the base and connect the cord to the power supply brick. Insert the cord into the cable retainer clip on the side of the base and connect the other end of the cord to an electrical outlet.



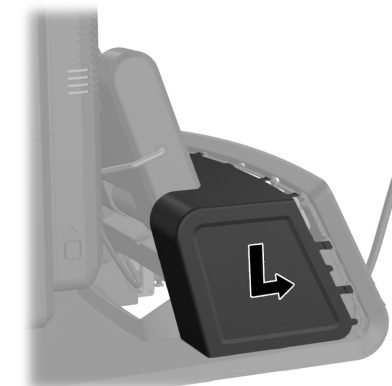
9. Route the cables to peripheral devices underneath the rear of the base, then through the hole in the center of the base, then up through the cable retainer on the neck of the stand and into the appropriate I/O port.



10. Snap the decorative panel back onto the rear of the base.



11. Replace the power supply cover by lowering it down over the neck of the base then sliding it back until it snaps in place.



12. Replace the rear I/O cover by placing the hooks on the bottom of the cover into the slots on the bottom of the chassis 1. Then rotate the top of the I/O cover up so that it snaps securely onto the chassis 2.

