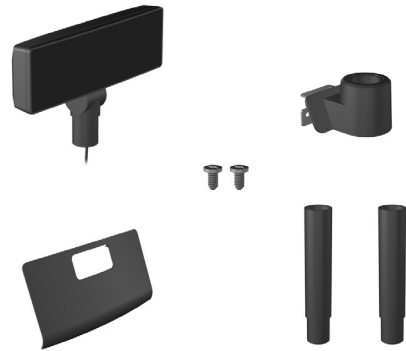




HP Retail RP7 VFD Customer Display Installation Instructions



© Copyright 2012 Hewlett-Packard Development Company, L.P. The information contained herein is subject to change without notice. The only warranties for HP products and services are set forth in the express warranty statements accompanying such products and services. Nothing herein should be construed as constituting an additional warranty. HP shall not be liable for technical or editorial errors or omissions contained herein. Printed in

Second Edition: October 2012



691056-002

Before Your Begin

Before installing the vacuum fluorescent display (VFD), be sure to power off the system and disconnect the power cord from the power outlet.

WARNING! To avoid the risk of serious injury, ensure that the power cord is unplugged from the electrical outlet at the wall before installing the VFD. Failure to do so may expose you to the risk of electric shock.

CAUTION: To avoid the risk of damage to the system, ensure that the power cord is unplugged from the electrical outlet at the wall before installing the VFD.

Online Technical Support

For the online access to technical support information, self-solve tools, online assistance, community forums or IT experts, broad multivendor knowledge base, monitoring and diagnostic tools, go to www.hp.com/support.

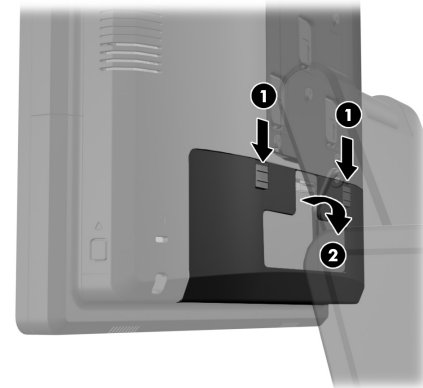
Localized Versions of this Document

Localized versions of this document are available at www.hp.com for the following languages:

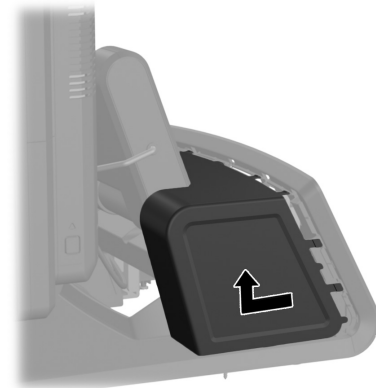
- Simplified Chinese
- Traditional Chinese
- Bahasa Indonesian
- Brazilian Portuguese
- Spanish
- Japanese
- Korean
- Thai
- German
- Italian
- Dutch
- English
- French

Installing the VFD

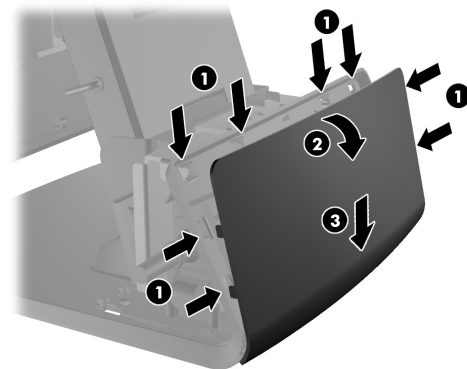
- Slide down the two levers on the upper corners of the rear I/O panel ❶ and rotate the cover off ❷.



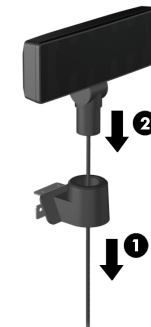
- Pull the power supply cover back then lift it up and off the unit.



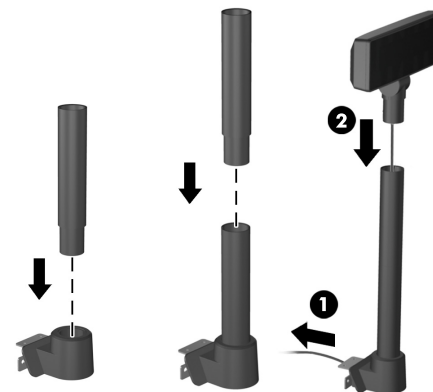
- Remove the decorative panel from the rear of the unit by gently prying the panel away from the base at the tab locations on the top and sides of the panel as indicated below ❶. Then pull the top of the panel away from the base ❷ and push straight down on the panel to release the bottom tabs ❸.



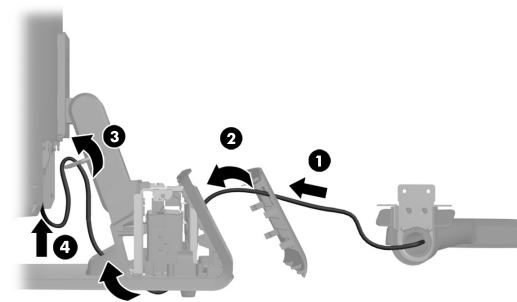
- If you are installing the VFD with no poles attached, assemble the VFD display by inserting the VFD cable through the center of the mounting bracket ❶ and slide the VFD onto the mounting bracket ❷.



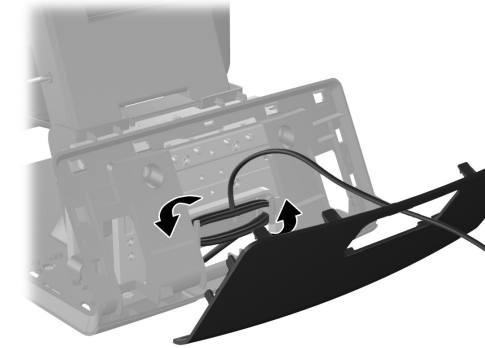
- If you are installing the VFD with poles attached, slide either one or two poles onto the mounting bracket, depending on the desired height of the VFD. Thread the VFD cable through the top of the pole assembly and out the bottom of the mounting bracket ❶, then slide the VFD onto the pole assembly ❷.



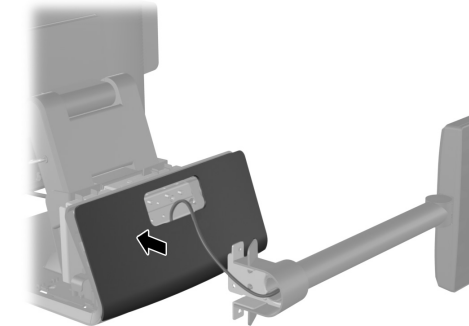
- From the assembled pole, route the VFD cable through the hole in the new decorative panel ❶ that was included with the VFD, then through the rear of the base ❷ and out the front of the base. Continue to route the extension cable up through the cable retainer ❸ and connect the VFD cable to the 12V USB port on the RP7 ❹.



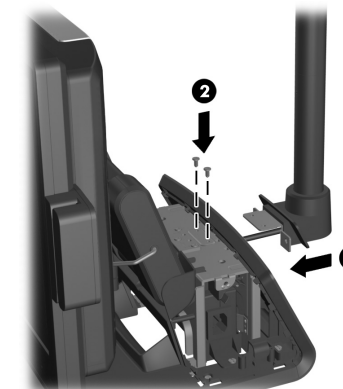
- Wrap the excess extension cable around the hooks on the rear of the base.



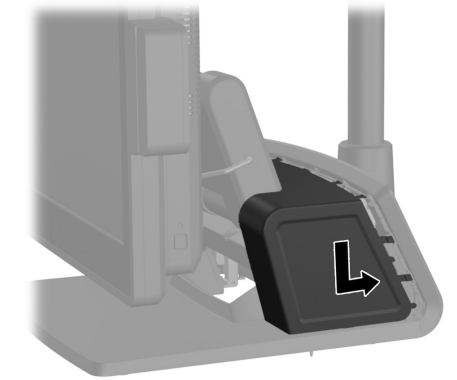
- Position the decorative plate onto the rear of the base and press down to snap it in place.



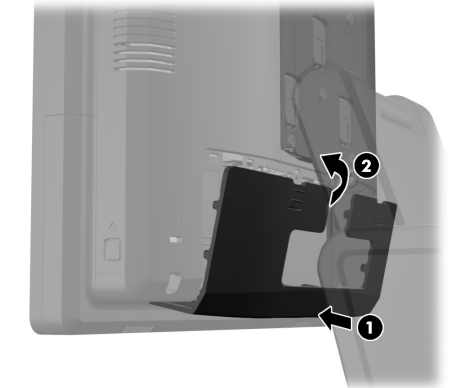
- Slide the VFD mounting bracket into the mounting hole on the rear of the RP7 base ❶, and install the two screws included with the VFD into the screw holes on top of the mounting bracket ❷.



- Replace the power supply cover by lowering it down over the neck of the base then sliding it back until it snaps in place.



- Replace the rear I/O cover by placing the hooks on the bottom of the cover into the slots on the bottom of the chassis ❶. Then rotate the top of the I/O cover up so that it snaps securely onto the chassis ❷.



To configure the VFD, refer to the *HP Point of Sale Configuration Guide* (available in English only). The guide is available on the HP factory image of the RP7 system's hard drive and at www.hp.com. To access the guide on the factory image:

- In Windows XP or Windows Embedded POSReady 2009, select **Start > All Programs > HP Point of Sale Information**.
- In Windows 7 or Windows Embedded POSReady 7, select **Start > HP Point of Sale Information**.

Check www.hp.com for updated software or documentation that became available between the time your product was manufactured and delivered to you.

Federal Communications Commission Notice

This equipment has been tested and found to comply with the limits for a Class B digital device, pursuant to Part 15 of the FCC Rules. These limits are designed to provide reasonable protection against harmful interference in a residential installation. This equipment generates, uses, and can radiate radio frequency energy and, if not installed and used in accordance with the instructions, may cause harmful interference to radio communications. However, there is no guarantee that interference will not occur in a particular installation. If this equipment does cause harmful interference to radio or television reception, which can be determined by turning the equipment off and on, the user is encouraged to try to correct the interference by one or more of the following measures:

- Reorient or relocate the receiving antenna.
- Increase the separation between the equipment and the receiver.
- Connect the equipment into an outlet on a circuit different from that to which the receiver is connected.
- Consult the dealer or an experienced radio or television technician for help.

Modifications

The FCC requires the user to be notified that any changes or modifications made to this device that are not expressly approved by Hewlett-Packard Company may void the user's authority to operate the equipment.

Cables

Connections to this device must be made with shielded cables with metallic RFI/EMI connector hoods in order to maintain compliance with FCC Rules and Regulations.

Declaration of Conformity for Products Marked with the FCC Logo (United States Only)

This device complies with Part 15 of the FCC Rules. Operation is subject to the following two conditions:

1. This device may not cause harmful interference.
2. This device must accept any interference received, including interference that may cause undesired operation.

For questions regarding the product, contact:

Hewlett Packard Company
P. O. Box 692000, Mail Stop 530113
Houston, Texas 77269-2000
Or, call 1-800-HP-INVENT (1-800 474-6836)

For questions regarding this FCC declaration, contact:

Hewlett Packard Company
P. O. Box 692000, Mail Stop 510101
Houston, Texas 77269-2000
Or, call (281) 514-3333

To identify this product, refer to the Part, Series, or Model number found on the product.

Canadian Notice

This Class B digital apparatus complies with Canadian ICES-003.

Avis Canadien

Cet appareil numérique de la classe B est conforme à la norme NMB-003 du Canada.

European Union Regulatory Notice

Products bearing the CE marking comply with the following EU Directives:

- Low Voltage Directive 2006/95/EC
- EMC Directive 2004/108/EC
- Ecodesign Directive 2009/125/EC, where applicable
- RoHS Directive 2011/65/EU

CE compliance of this product is valid if powered with the correct CE-marked AC adapter provided by HP.

Compliance with these directives implies conformity to applicable harmonized European standards (European Norms) that are listed in the EU Declaration of Conformity issued by HP for this product or product family and available (in English only) either within the product documentation or at the following web site: www.hp.eu/certificates (type the product number in the search field).

The compliance is indicated by the following conformity markings placed on the product:



Please refer to the regulatory label provided on the product.

The point of contact for regulatory matters is Hewlett-Packard GmbH, Dept./MS: HQ-TRE, Herrenberger Strasse 140, 71034 Boeblingen, GERMANY.

German Ergonomics Notice

HP products which bear the “GS” approval mark, when forming part of a system comprising HP brand computers, keyboards and monitors that bear the “GS” approval mark, meet the applicable ergonomic requirements. The installation guides included with the products provide configuration information.

Japanese Notice

この装置は、クラスB情報技術装置です。この装置は、家庭環境で使用することを目的としていますが、この装置がラジオやテレビジョン受信機に近接して使用されると、受信障害を引き起こすことがあります。取扱説明書に従って正しい取り扱いをして下さい。

VCCI-B

Korean Notice

B급 기기 (가정용 방송통신기기)	이 기기는 가정용(B급)으로 전자파적합등록을 한 기기로서 주로 가정에서 사용하는 것을 목적으로 하며, 모든 지역에서 사용할 수 있습니다.
-----------------------	--