



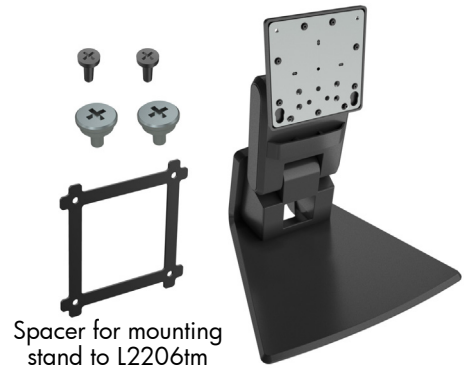
# HP Height Adjustable Stand for Touch Monitors

## Assembly Instructions

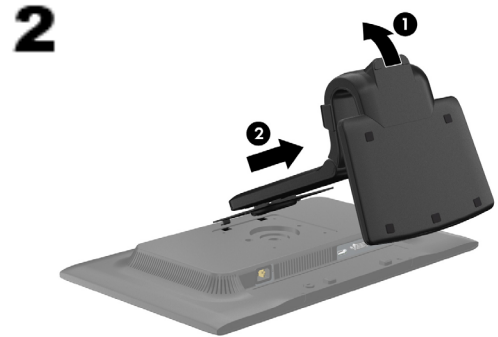
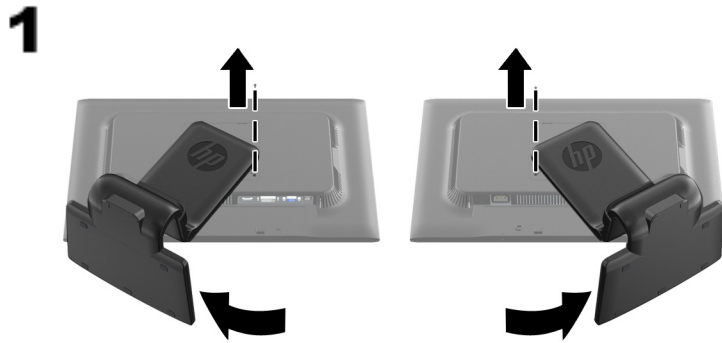
Copyright © 2012 Hewlett-Packard Development Company, L.P.  
The information contained herein is subject to change without notice.  
Printed in



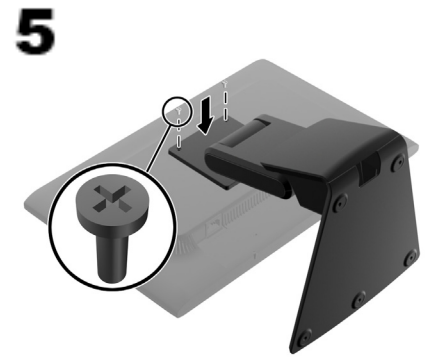
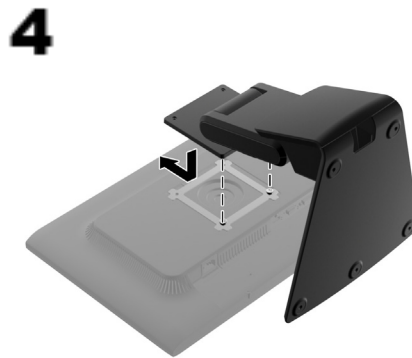
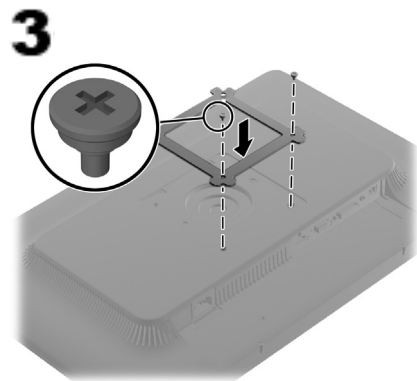
688917-B21



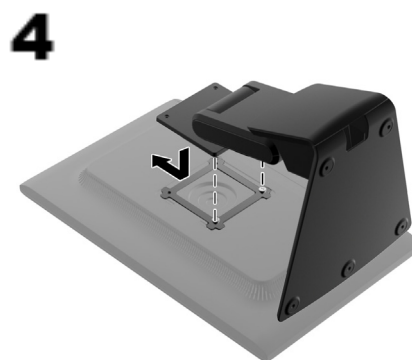
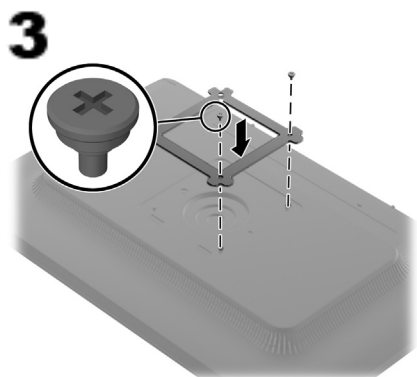
### L2206tm Assembly



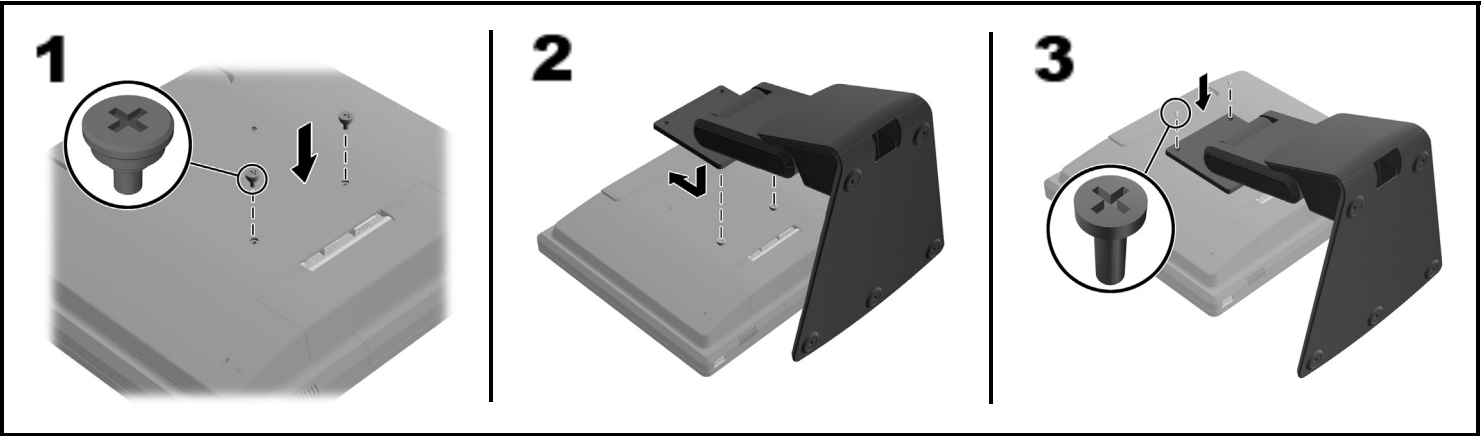
### Landscape



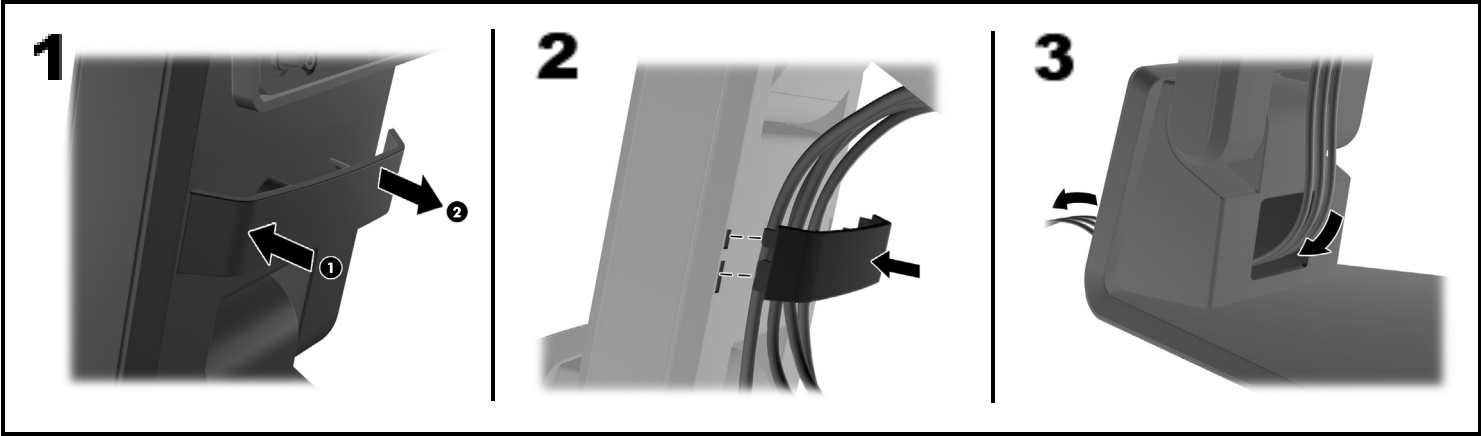
### Portrait



L6015tm/L6017tm Assembly



Cable Routing



Adjustment

