

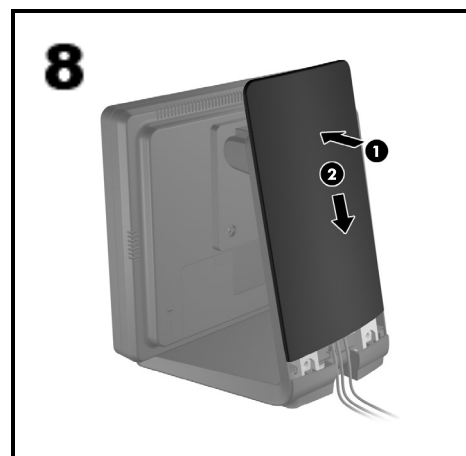
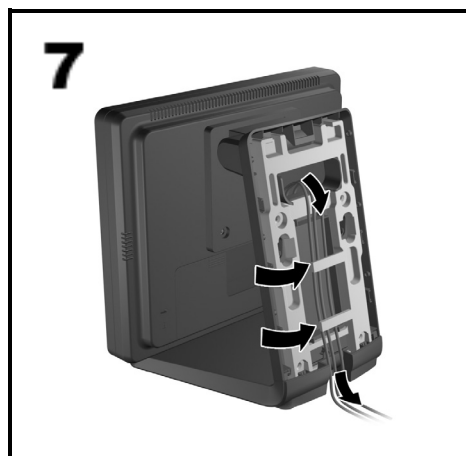
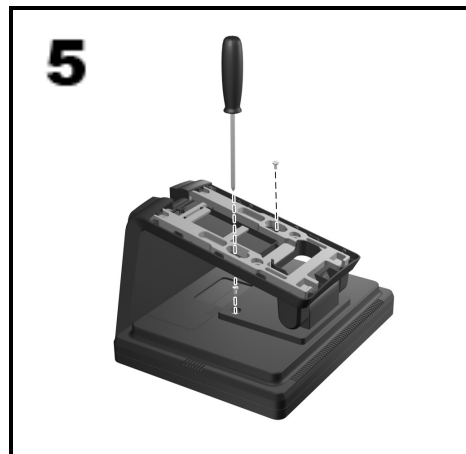
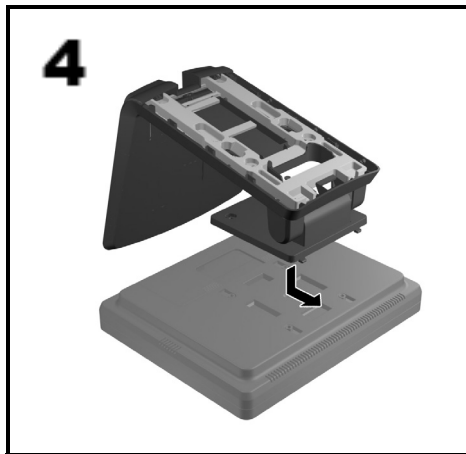
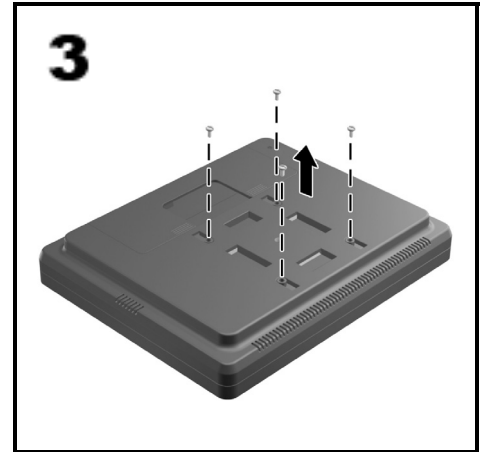
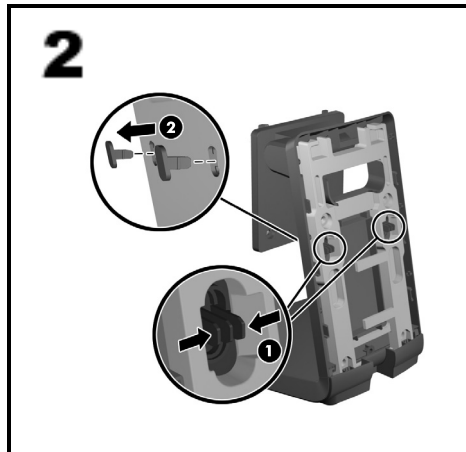
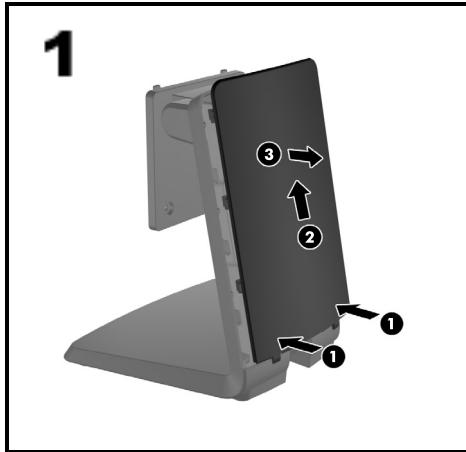


# HP L6010 Retail Monitor Dual Position Stand Low-Mount Instructions

Copyright © 2012 Hewlett-Packard Development Company, L.P.  
The information contained herein is subject to change without notice.  
Printed in



688918-B21





# HP L6010 Retail Monitor Dual Position Stand High-Mount Instructions

