



HP Tablet 7

Maintenance and Service Guide

© Copyright 2013 Hewlett-Packard
Development Company, L.P.

SD Logo is a trademark of its proprietor.

The information contained herein is subject to change without notice. The only warranties for HP products and services are set forth in the express warranty statements accompanying such products and services. Nothing herein should be construed as constituting an additional warranty. HP shall not be liable for technical or editorial errors or omissions contained herein.

First Edition: April 2013

Document Part Number: 725389-001

Safety warning notice

⚠ WARNING! To reduce the possibility of heat-related injuries or of overheating the device, do not place the device directly on your lap or obstruct the device air vents. Use the device only on a hard, flat surface. Do not allow another hard surface, such as an adjoining optional printer, or a soft surface, such as pillows or rugs or clothing, to block airflow. Also, do not allow the AC adapter to contact the skin or a soft surface, such as pillows or rugs or clothing, during operation. The device and the AC adapter comply with the user-accessible surface temperature limits defined by the International Standard for Safety of Information Technology Equipment (IEC 60950).

Table of contents

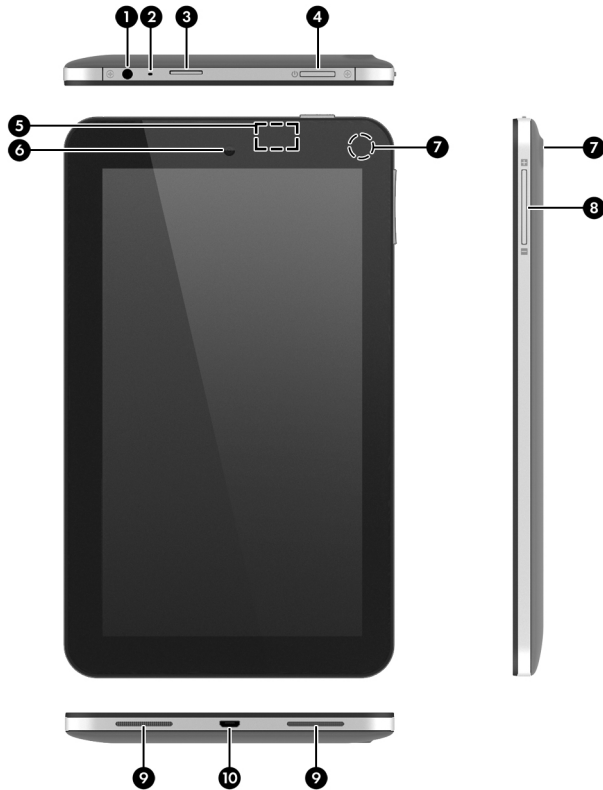
1 Product description	1
2 External component identification	2
3 Illustrated parts catalog	3
Locating the serial number, product number, and model number	4
Tablet major components	5
Trim Kit contents	7
Miscellaneous parts	7
Sequential part number listing	8
4 Removal and replacement procedures preliminary requirements	9
Tools required	9
Service considerations	9
Plastic parts	9
Cables and connectors	10
Drive handling	10
Grounding guidelines	11
Electrostatic discharge damage	11
Packaging and transporting guidelines	12
Workstation guidelines	12
Removal and replacement procedures	14
Component replacement procedures	14
Rear cover	14
Battery	16
System board	18
Webcam	21
USB connector	23
Antenna board	24
Speakers	25
Side trim	26

5 Backing up and recovering your data	27
Updating apps, widgets, and the operating system	27
Back up and reset	27
Factory data reset	28
Android system recovery mode	28
6 Tablet specifications	29
7 Power cord set requirements	30
Requirements for all countries	30
Requirements for specific countries and regions	31
8 Recycling	32
Index	33

1 Product description

Category	Description
Product Name	HP Tablet 7
Processor	RK3066A dual core A9 1.60-GHz processor
Panel	7.0-in (1024×600), liquid crystal display (LCD) + 5-point multiTouchScreen + cover lens module, 16:9 aspect ratio, typical brightness: 400 nits
Memory	Support for both 1.0- and 2.0-GB LPDDR3 SDRAM
Mass storage	Support for up to 128-GB embedded MultiMediaCard (eMMC) mass storage memory (16-GB and 32-GB in 169-pin thin profile fine-pitch ball grid array {TFBGA})
Audio and video	Dual digital microphones TI, class D, IC, audio amplifier Stereo speakers 0.3-MP front-facing camera 3.0p-MP rear-facing camera
Ports	<ul style="list-style-type: none">• Audio: 3-pin headset• Charging: micro USB• SD Card: micro SD Card• USB: micro USB
Keys	<ul style="list-style-type: none">• Power• Volume down• Volume up
Power requirements	Support for the following: 3.70-V, 3850-mAh, Li-ion battery (non-removable)
Operating system	Preinstalled: Android 4.1
Serviceability	End user replaceable parts: <ul style="list-style-type: none">• Power cable• USB cable

2 External component identification



Item	Component	Item	Component
(1)	Headphone jack	(6)	Front camera
(2)	Internal microphone	(7)	Rear camera
(3)	Micro SD Card reader	(8)	Speaker and headphone volume
(4)	Power button	(9)	Speakers (2)
(5)	WLAN antenna	(10)	Micro USB port (for charging or connecting to tablet)

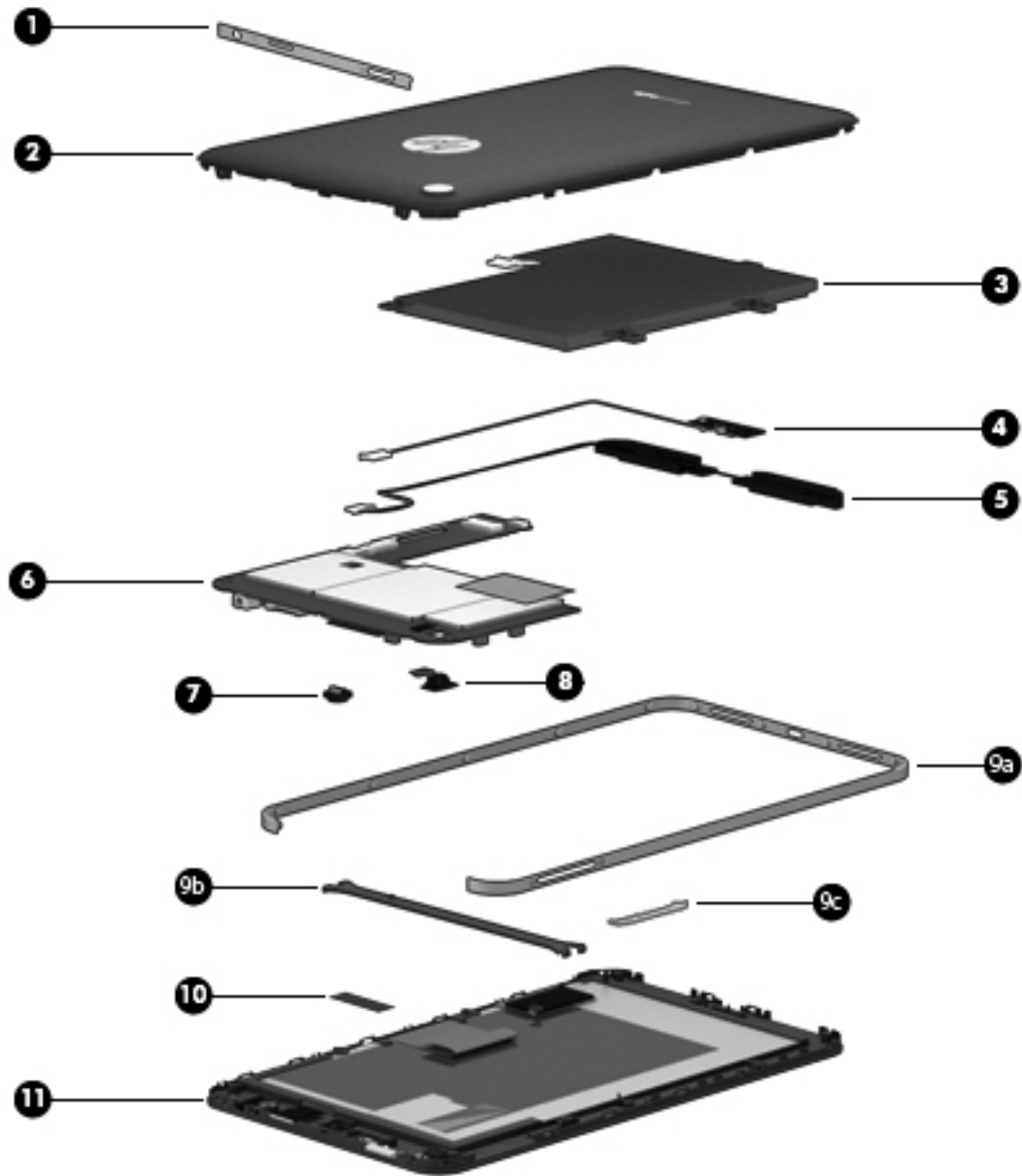
3 Illustrated parts catalog

Locating the serial number, product number, and model number

The serial number and product number of your tablet are located on the left edge of the tablet. The model number of your tablet is located on the back of your tablet. You may need the information when you travel internationally or when you contact support.



Tablet major components



Item	Component	Spare part number
(1)	I/O bezel	731532-001
(2)	Rear cover:	
	In red finish for use only on tablet models equipped with 16-GB of system memory	730355-001
	In silver finish for use only on tablet models equipped with 16-GB of system memory	730354-001
	In red finish for use only on tablet models equipped with 8-GB of system memory	727909-001
	In silver finish for use only on tablet models equipped with 8-GB of system memory	727659-001

Item	Component	Spare part number
(3)	3.70-V, 3850-mAh, Li-ion battery (includes cable)	724536-001
(4)	USB connector (includes cable)	729741-001
(5)	Speakers (include left and right speakers and cables)	727665-001
(6)	System board (includes battery shielding tape):	
	Equipped with an RK3066A dual core A9 1.60-GHz processor and 16-GB of system memory	729093-001
	Equipped with an RK3066A dual core A9 1.60-GHz processor and 8-GB of system memory	727666-001
(7)	Front-facing webcam	727667-001
(8)	Rear-facing webcam (includes cable)	731533-001
	Trim Kit , includes:	727661-001
(9a)	Side trim	
(9b)	System board bracket	
(9c)	Volume control button actuator	
(10)	Antenna board	727662-001
(11)	7.0-in, LCD, TFT, TouchScreen display assembly	727663-001

Trim Kit contents



Item	Component	Spare part number
	Trim Kit , includes:	727661-001
(1)	System board bracket	
(2)	Volume control button actuator	
(3)	Side trim	


Miscellaneous parts

Component	Spare part number
10-W USB power adapter:	
For use in Asia Pacific countries and regions and Japan	728938-001
For use in Europe, the Middle East, and Africa	728937-001
For use in Latin America	727660-001
For use in North America	727658-001
HP Tablet 7 tablet with TFT, LCD TouchScreen:	
Equipped with 16-GB of system memory in red finish for use in all countries and regions	732048-001
Equipped with 16-GB of system memory in silver finish for use in all countries and regions	732047-001
Equipped with 8-GB of system memory in red finish for use in all countries and regions	730930-001
Equipped with 8-GB of system memory in silver finish for use in all countries and regions	729092-001
Screw Kit	727664-001
USB cable extension	733059-001

Sequential part number listing

Spare part number	Description
724536-001	3.70-V, 3850-mAh, Li-ion battery (includes cable)
727658-001	10-W USB power adapter for use in North America
727659-001	Rear cover in silver finish for use only on tablet models equipped with 8-GB of system memory
727660-001	10-W USB power adapter for use in Latin America
727661-001	Trim Kit (includes system board bracket, side trim, and volume control button actuator)
727662-001	Antenna board
727663-001	7.0-in, LCD, TFT, TouchScreen display assembly
727664-001	Screw Kit
727665-001	Speakers (include left and right speakers and cables)
727666-001	System board equipped with an RK3066A dual core A9 1.60-GHz processor and 8-GB of system memory (includes battery shielding tape)
727667-001	Front-facing webcam
727909-001	Rear cover in red finish for use only on tablet models equipped with 8-GB of system memory
728937-001	10-W USB power adapter for use in Europe, the Middle East, and Africa
728938-001	10-W USB power adapter for use in Asia Pacific countries and regions and Japan
729092-001	HP Tablet 7 tablet with TFT, LCD TouchScreen and 8-GB of system memory in silver finish for use in all countries and regions
729093-001	System board equipped with an RK3066A dual core A9 1.60-GHz processor and 16-GB of system memory (includes battery shielding tape)
729741-001	USB connector (includes cable)
730354-001	Rear cover in silver finish for use only on tablet models equipped with 16-GB of system memory
730355-001	Rear cover in red finish for use only on tablet models equipped with 16-GB of system memory
730930-001	HP Tablet 7 tablet with TFT, LCD TouchScreen and 8-GB of system memory in red finish for use in all countries and regions
731532-001	I/O bezel
731533-001	Rear-facing webcam (includes cable)
732047-001	HP Tablet 7 tablet with TFT, LCD TouchScreen and 16-GB of system memory in silver finish for use in all countries and regions
732048-001	HP Tablet 7 tablet with TFT, LCD TouchScreen and 16-GB of system memory in red finish for use in all countries and regions
733059-001	USB cable extension

4 Removal and replacement procedures preliminary requirements

 **CAUTION:** Components described in this chapter should only be accessed by an authorized service provider. Accessing these parts can damage the computer or void the warranty.


Tools required

You will need the following tools to complete the removal and replacement procedures:


- Flat-bladed screw driver
- Magnetic screw driver
- Phillips P00 screw driver
- Torx T-4 screw driver

Service considerations

The following sections include some of the considerations that you must keep in mind during disassembly and assembly procedures.

 **NOTE:** As you remove each subassembly from the tablet, place the subassembly (and all accompanying screws) away from the work area to prevent damage.

Plastic parts

 **CAUTION:** Using excessive force during disassembly and reassembly can damage plastic parts. Use care when handling the plastic parts. Apply pressure only at the points designated in the maintenance instructions.

Cables and connectors

⚠ CAUTION: When servicing the tablet, be sure that cables are placed in their proper locations during the reassembly process. Improper cable placement can damage the tablet.

Cables must be handled with extreme care to avoid damage. Apply only the tension required to unseat or seat the cables during removal and insertion. Handle cables by the connector whenever possible. In all cases, avoid bending, twisting, or tearing cables. Be sure that cables are routed in such a way that they cannot be caught or snagged by parts being removed or replaced. Handle flex cables with extreme care; these cables tear easily.

Drive handling

⚠ CAUTION: Drives are fragile components that must be handled with care. To prevent damage to the tablet, damage to a drive, or loss of information, observe these precautions:

Before removing or inserting a hard drive, shut down the tablet. If you are unsure whether the tablet is off or in Hibernation, turn the tablet on, and then shut it down through the operating system.

Before handling a drive, be sure that you are discharged of static electricity. While handling a drive, avoid touching the connector.

Before removing a diskette drive or optical drive, be sure that a diskette or disc is not in the drive and be sure that the optical drive tray is closed.

Handle drives on surfaces covered with at least one inch of shock-proof foam.

Avoid dropping drives from any height onto any surface.

After removing a hard drive, an optical drive, or a diskette drive, place it in a static-proof bag.

Avoid exposing an internal hard drive to products that have magnetic fields, such as monitors or speakers.

Avoid exposing a drive to temperature extremes or liquids.

If a drive must be mailed, place the drive in a bubble pack mailer or other suitable form of protective packaging and label the package "FRAGILE."

Grounding guidelines

Electrostatic discharge damage

Electronic components are sensitive to electrostatic discharge (ESD). Circuitry design and structure determine the degree of sensitivity. Networks built into many integrated circuits provide some protection, but in many cases, ESD contains enough power to alter device parameters or melt silicon junctions.

A discharge of static electricity from a finger or other conductor can destroy static-sensitive devices or microcircuitry. Even if the spark is neither felt nor heard, damage may have occurred.

An electronic device exposed to ESD may not be affected at all and can work perfectly throughout a normal cycle. Or the device may function normally for a while, then degrade in the internal layers, reducing its life expectancy.

⚠ CAUTION: To prevent damage to the tablet when you are removing or installing internal components, observe these precautions:

Keep components in their electrostatic-safe containers until you are ready to install them.

Before touching an electronic component, discharge static electricity by using the guidelines described in this section.

Avoid touching pins, leads, and circuitry. Handle electronic components as little as possible.

If you remove a component, place it in an electrostatic-safe container.

The following table shows how humidity affects the electrostatic voltage levels generated by different activities.

⚠ CAUTION: A product can be degraded by as little as 700 V.

Typical electrostatic voltage levels			
Event	Relative humidity		
	10%	40%	55%
Walking across carpet	35,000 V	15,000 V	7,500 V
Walking across vinyl floor	12,000 V	5,000 V	3,000 V
Motions of bench worker	6,000 V	800 V	400 V
Removing DIPS from plastic tube	2,000 V	700 V	400 V
Removing DIPS from vinyl tray	11,500 V	4,000 V	2,000 V
Removing DIPS from Styrofoam	14,500 V	5,000 V	3,500 V
Removing bubble pack from PCB	26,500 V	20,000 V	7,000 V
Packing PCBs in foam-lined box	21,000 V	11,000 V	5,000 V

Packaging and transporting guidelines

Follow these grounding guidelines when packaging and transporting equipment:

- To avoid hand contact, transport products in static-safe tubes, bags, or boxes.
- Protect ESD-sensitive parts and assemblies with conductive or approved containers or packaging.
- Keep ESD-sensitive parts in their containers until the parts arrive at static-free workstations.
- Place items on a grounded surface before removing items from their containers.
- Always be properly grounded when touching a component or assembly.
- Store reusable ESD-sensitive parts from assemblies in protective packaging or nonconductive foam.
- Use transporters and conveyors made of antistatic belts and roller bushings. Be sure that mechanized equipment used for moving materials is wired to ground and that proper materials are selected to avoid static charging. When grounding is not possible, use an ionizer to dissipate electric charges.

Workstation guidelines

Follow these grounding workstation guidelines:

- Cover the workstation with approved static-shielding material.
- Use a wrist strap connected to a properly grounded work surface and use properly grounded tools and equipment.
- Use conductive field service tools, such as cutters, screw drivers, and vacuums.
- When fixtures must directly contact dissipative surfaces, use fixtures made only of static-safe materials.
- Keep the work area free of nonconductive materials, such as ordinary plastic assembly aids and Styrofoam.
- Handle ESD-sensitive components, parts, and assemblies by the case or PCM laminate. Handle these items only at static-free workstations.
- Avoid contact with pins, leads, or circuitry.
- Turn off power and input signals before inserting or removing connectors or test equipment.

Equipment guidelines

Grounding equipment must include either a wrist strap or a foot strap at a grounded workstation.

- When seated, wear a wrist strap connected to a grounded system. Wrist straps are flexible straps with a minimum of one megohm $\pm 10\%$ resistance in the ground cords. To provide proper ground, wear a strap snugly against the skin at all times. On grounded mats with banana-plug connectors, use alligator clips to connect a wrist strap.
- When standing, use foot straps and a grounded floor mat. Foot straps (heel, toe, or boot straps) can be used at standing workstations and are compatible with most types of shoes or boots. On conductive floors or dissipative floor mats, use foot straps on both feet with a minimum of one megohm resistance between the operator and ground. To be effective, the conductive must be worn in contact with the skin.

The following grounding equipment is recommended to prevent electrostatic damage:

- Antistatic tape
- Antistatic smocks, aprons, and sleeve protectors
- Conductive bins and other assembly or soldering aids
- Nonconductive foam
- Conductive tabletop workstations with ground cords of one megohm resistance
- Static-dissipative tables or floor mats with hard ties to the ground
- Field service kits
- Static awareness labels
- Material-handling packages
- Nonconductive plastic bags, tubes, or boxes
- Metal tote boxes
- Electrostatic voltage levels and protective materials

The following table lists the shielding protection provided by antistatic bags and floor mats.

Material	Use	Voltage protection level
Antistatic plastics	Bags	1,500 V
Carbon-loaded plastic	Floor mats	7,500 V
Metallized laminate	Floor mats	5,000 V

Removal and replacement procedures

Component replacement procedures

This chapter provides removal and replacement procedures for Authorized Service Provider only parts.

There are as many as 16 screws that must be removed, replaced, and/or loosened when servicing the tablet. Make special note of each screw size and location during removal and replacement.

Rear cover

Description	Spare part number
In red finish for use only on tablet models equipped with 16-GB of system memory	730355-001
In silver finish for use only on tablet models equipped with 16-GB of system memory	730354-001
In red finish for use only on tablet models equipped with 8-GB of system memory	727909-001
In silver finish for use only on tablet models equipped with 8-GB of system memory	727659-001

Before removing the disassembling the tablet, follow these steps:

1. Turn off the tablet. If you are unsure whether the tablet is off or in Hibernation, turn the tablet on, and then shut it down through the operating system.
2. Disconnect the power from the tablet by unplugging the power cord from the tablet.
3. Disconnect all external devices from the tablet.

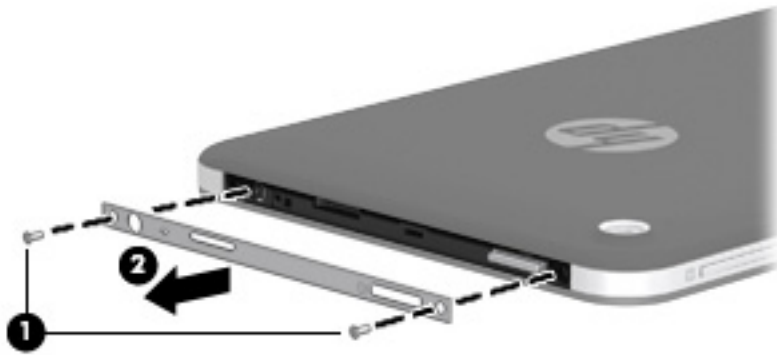
Remove the rear cover:

⚠ CAUTION: Before placing the tablet screen down, make sure the work surface is clear of tools, screws, and any other foreign objects. Failure to follow this caution can result in damage to the display screen.

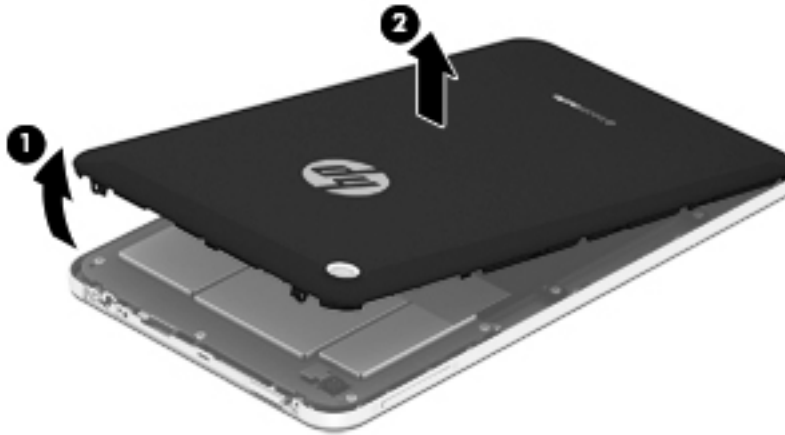
1. Position the tablet with the top edge toward you.
2. Remove the two Torx T4M1.4x3.0 screws **(1)** that secure the I/O bezel to the tablet.

3. Remove the I/O bezel **(2)**.

The I/O bezel is available using spare part number 731532-001.



4. Separate the top edge **(1)** of the rear cover from the display assembly.
5. Remove the rear cover **(2)**.



Reverse this procedure to install the keyboard.

Battery

Description	Spare part number
3.70-V, 3850-mAh, Li-ion battery (includes cable)	724536-001

Before removing the battery, follow these steps:

1. Turn off the tablet. If you are unsure whether the tablet is off or in Hibernation, turn the tablet on, and then shut it down through the operating system.
2. Disconnect the power from the tablet by unplugging the power cord from the tablet.
3. Disconnect all external devices from the tablet.
4. Remove the rear cover (see [Rear cover on page 14](#)).

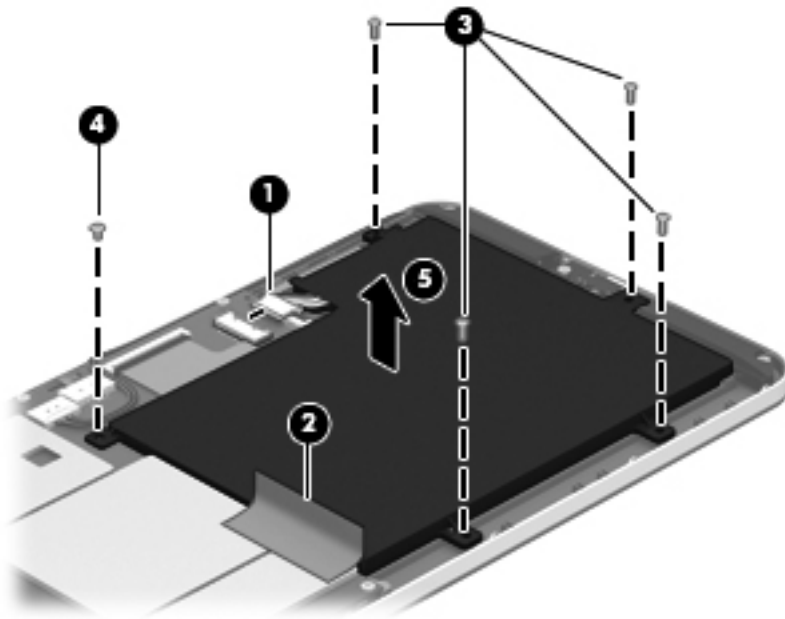
⚠ WARNING! To reduce potential safety issues, use only the battery provided with the tablet, a replacement battery provided by HP, or a compatible battery purchased from HP.

⚠ CAUTION: Removing a battery that is the sole power source for the tablet can cause loss of information. To prevent loss of information, save your work or shut down the tablet through Windows before removing the battery.

Remove the battery:

1. Disconnect the battery cable **(1)** from the system board.
2. Release the shielding tape **(2)** from the battery.
3. Remove the four Phillips PM1.75×4.0 screws **(3)** and the Phillips PM1.75×3.0 screw **(4)** that secure the battery to the tablet.

4. Remove the battery (5).



Reverse this procedure to install the battery.

System board



NOTE: The system board spare part kit includes battery shielding tape.

Description	Spare part number
Equipped with an RK3066A dual core A9 1.60-GHz processor and 16-GB of system memory	729093-001
Equipped with an RK3066A dual core A9 1.60-GHz processor and 8-GB of system memory	727666-001

Before removing the system board, follow these steps:

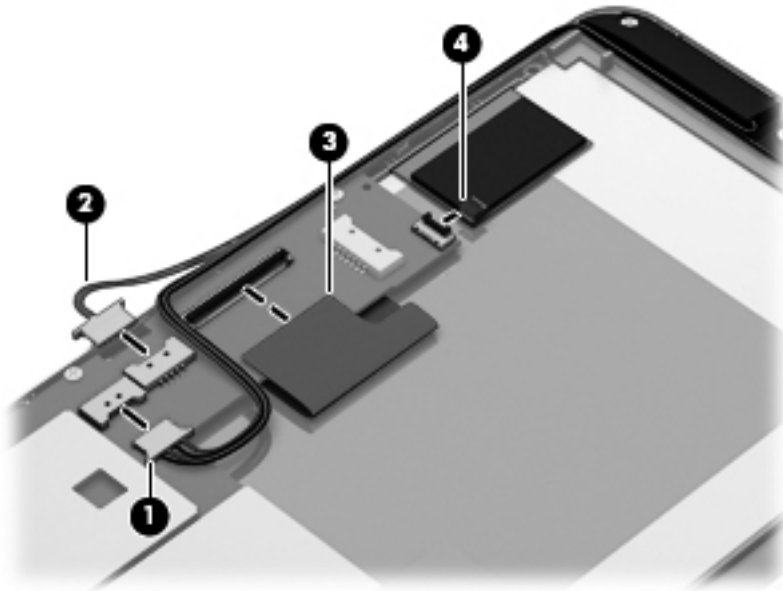
1. Turn off the tablet. If you are unsure whether the tablet is off or in Hibernation, turn the tablet on, and then shut it down through the operating system.
2. Disconnect the power from the tablet by unplugging the power cord from the tablet.
3. Disconnect all external devices from the tablet.
4. Remove the rear cover (see [Rear cover on page 14](#)).
5. Remove the battery (see [Battery on page 16](#)).

WARNING! To reduce potential safety issues, use only the battery provided with the tablet, a replacement battery provided by HP, or a compatible battery purchased from HP.

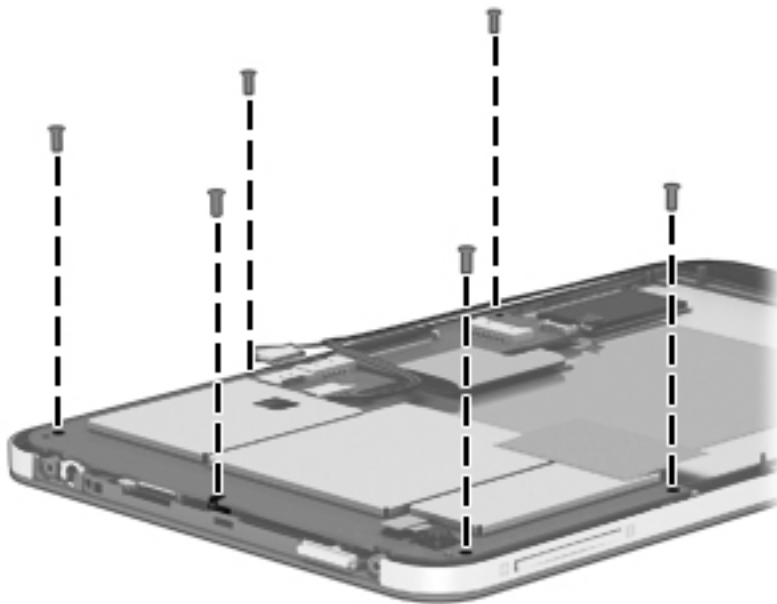
CAUTION: Removing a battery that is the sole power source for the tablet can cause loss of information. To prevent loss of information, save your work or shut down the tablet through Windows before removing the battery.

Remove the system board:

1. Disconnect the following cables from the system board:
 - (1) Speaker cable
 - (2) USB cable
 - (3) X-axis control cable
 - (4) Y-axis control cable

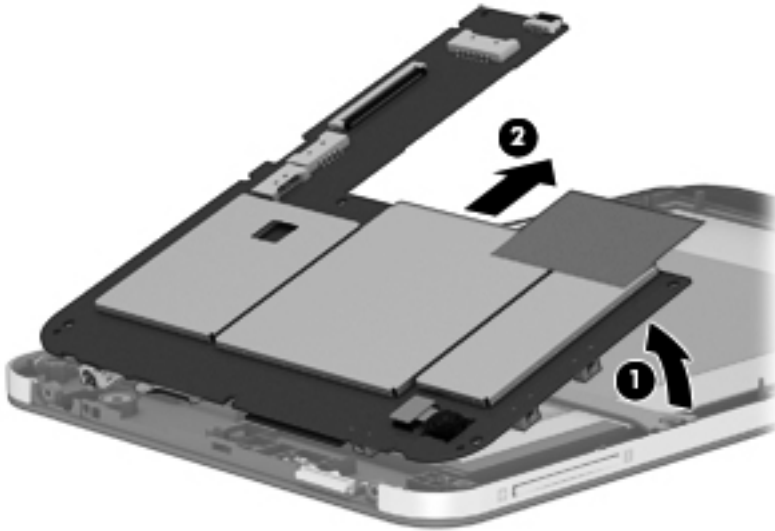


2. Remove the six Phillips PM1.75×4.0 screws that secure the system board to the display assembly.



3. Lift the right side (1) of the system board until it rests at an angle.

4. Remove the system board **(2)** by sliding it up and to the right at an angle.



Reverse this procedure to install the system board.

Webcam

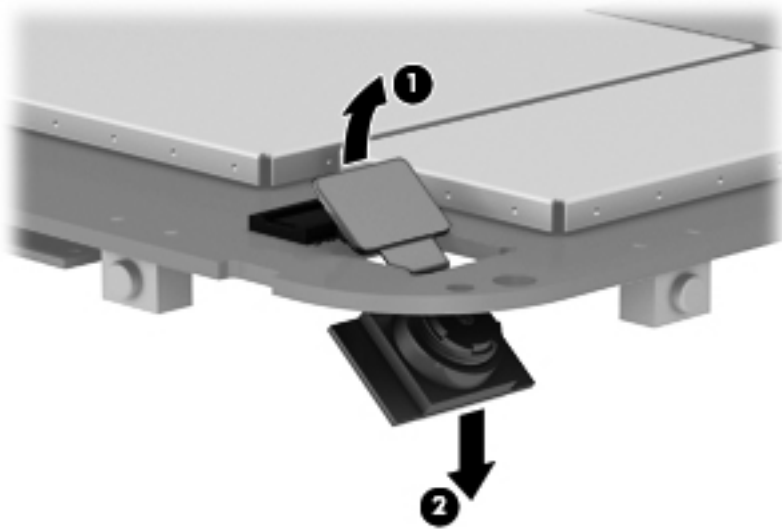
Description	Spare part number
Front-facing webcam	727667-001
Rear-facing webcam (includes cable)	731533-001

Before removing the webcams, follow these steps:

1. Turn off the tablet. If you are unsure whether the tablet is off or in Hibernation, turn the tablet on, and then shut it down through the operating system.
2. Disconnect the power from the tablet by unplugging the power cord from the tablet.
3. Disconnect all external devices from the tablet.
4. Remove the rear cover (see [Rear cover on page 14](#)).
5. Remove the battery (see [Battery on page 16](#)).
6. Remove the system board (see [System board on page 18](#)).

Remove the rear-facing webcam:

1. Disconnect the rear-facing webcam cable **(1)** from the system board.
2. Release the rear-facing webcam **(2)** from the opening in the system board.

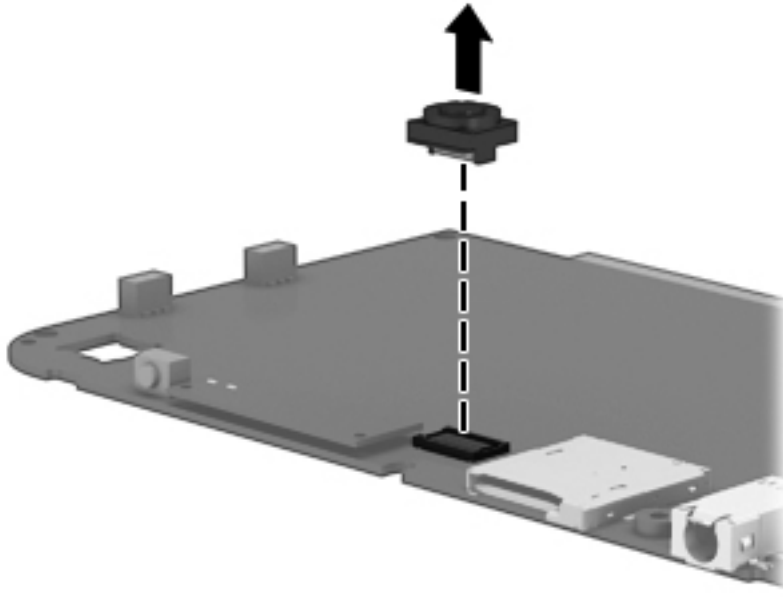


3. Remove the rear-facing webcam.

Remove the front-facing webcam:


1. Turn the system board upside down with the front toward you.

2. Disconnect the front-facing webcam from the system board.



3. Remove the front-facing webcam.

Reverse this procedure to install the webcams.

 **NOTE:** When installing the front-facing webcam, note that the connector is keyed and connects to the system board only one way.

USB connector

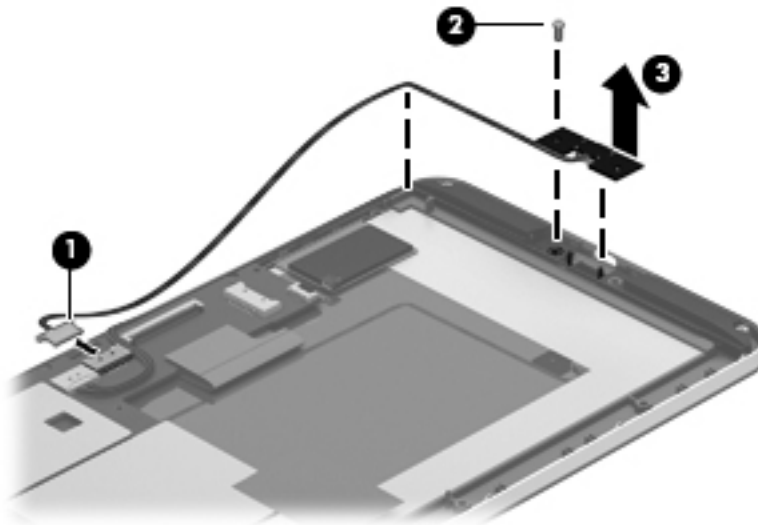
Description	Spare part number
USB connector (includes cable)	729741-001

Before removing the USB connector, follow these steps:

1. Turn off the tablet. If you are unsure whether the tablet is off or in Hibernation, turn the tablet on, and then shut it down through the operating system.
2. Disconnect the power from the tablet by unplugging the power cord from the tablet.
3. Disconnect all external devices from the tablet.
4. Remove the rear cover (see [Rear cover on page 14](#)).
5. Remove the battery (see [Battery on page 16](#)).

Remove the USB connector:

1. Disconnect the USB connector cable **(1)** from the system board.
2. Remove the Phillips PM1.75×4.0 screw **(2)** that secures the USB connector to the display assembly.
3. Remove the USB connector and cable **(3)**.



Reverse this procedure to install the USB connector.

Antenna board

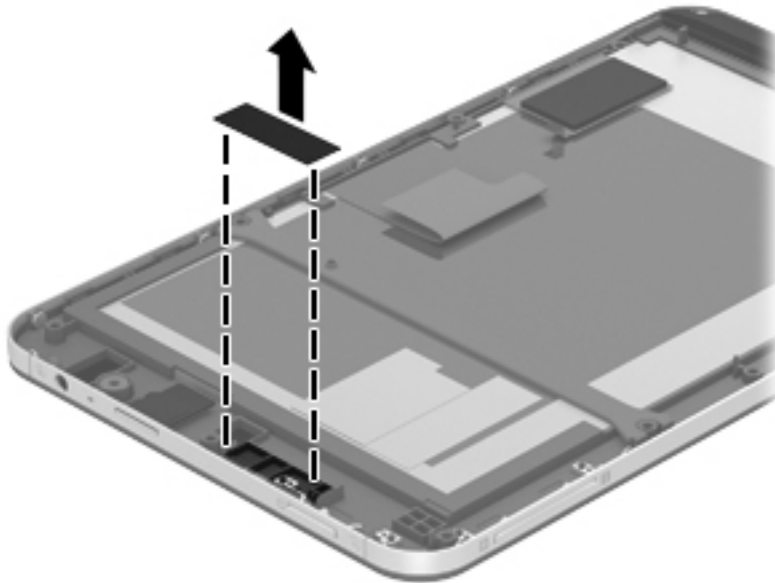
Description	Spare part number
Antenna board	727662-001

Before removing the antenna board, follow these steps:

1. Turn off the tablet. If you are unsure whether the tablet is off or in Hibernation, turn the tablet on, and then shut it down through the operating system.
2. Disconnect the power from the tablet by unplugging the power cord from the tablet.
3. Disconnect all external devices from the tablet.
4. Remove the rear cover (see [Rear cover on page 14](#)).
5. Remove the battery (see [Battery on page 16](#)).

Remove the USB connector:

- ▲ Detach the antenna board from the display assembly. (The antenna board is attached to the display assembly with double-sided adhesive.)



Reverse this procedure to install the antenna board.

Speakers

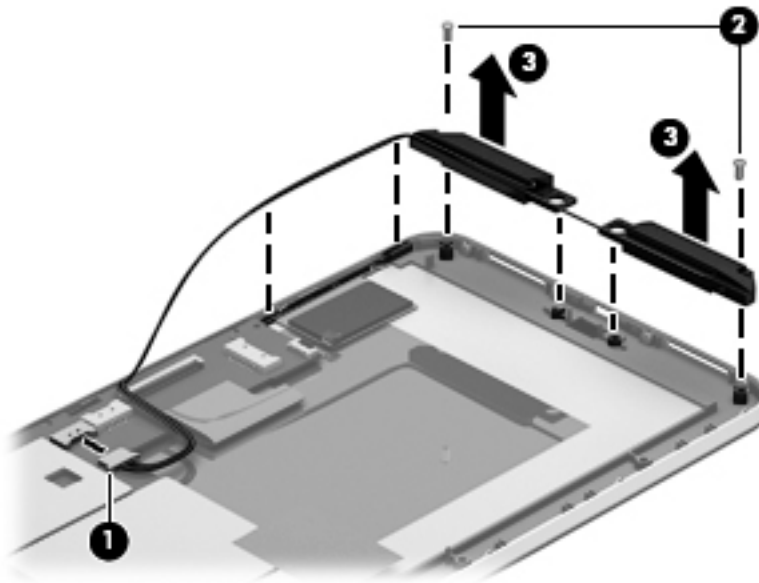
Description	Spare part number
Speakers (include left and right speakers and cables)	727665-001

Before removing the speakers, follow these steps:

1. Turn off the tablet. If you are unsure whether the tablet is off or in Hibernation, turn the tablet on, and then shut it down through the operating system.
2. Disconnect the power from the tablet by unplugging the power cord from the tablet.
3. Disconnect all external devices from the tablet.
4. Remove the rear cover (see [Rear cover on page 14](#)).
5. Remove the battery (see [Battery on page 16](#)).


Remove the speakers:

1. Disconnect the speaker cable **(1)** from the system board.
2. Remove the two Phillips PM1.75×4.0 screws **(2)** that secure the speakers to the display assembly.
3. Remove the speakers **(3)**.



Reverse this procedure to install the speakers.

Side trim


 **NOTE:** The side trim is included in the Trim Kit, spare part number 727661-001. The Trim Kit also includes the system board bracket and the volume control button actuator.

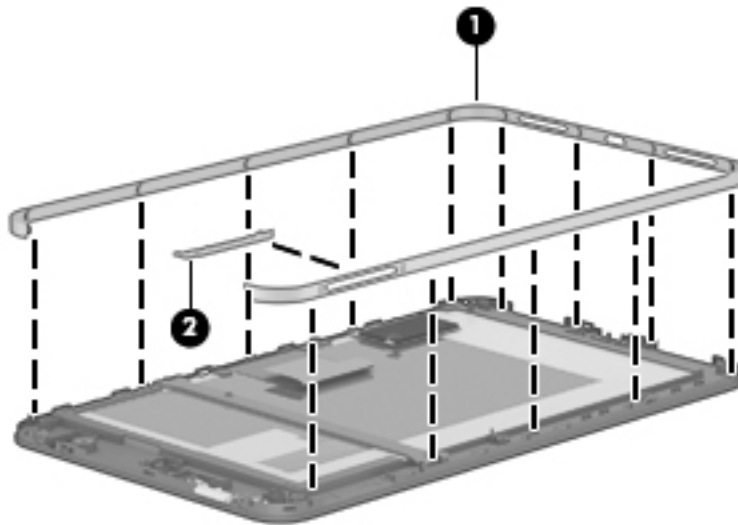
Before removing the side trim, follow these steps:

1. Turn off the tablet. If you are unsure whether the tablet is off or in Hibernation, turn the tablet on, and then shut it down through the operating system.
2. Disconnect the power from the tablet by unplugging the power cord from the tablet.
3. Disconnect all external devices from the tablet.
4. Remove the rear cover (see [Rear cover on page 14](#)).
5. Remove the battery (see [Battery on page 16](#)).

Remove the side trim:

- ▲ Remove the side trim **(1)** from the retaining clips built into the display assembly.

 **NOTE:** When the side trim is removed, the volume control button actuator **(2)** is prone to slipping out of the side trim. Make note of the location and orientation of the volume control button actuator when removing the side trim.



Reverse this procedure to install the side trim.

5 Backing up and recovering your data

Updating apps, widgets, and the operating system

HP recommends that you update your apps, widgets, and the operating system on a regular basis to the latest versions. Updates can resolve issues and bring new features and options to your tablet. Technology is always changing, and updating apps, widgets, and the operating system allows your tablet to run the latest technology available. For example, older apps and widgets might not work well with the most recent operating system.

Go to the Google Play store to download the latest versions of HP and third-party apps and widgets. The operating system will download system updates automatically and notify you when it is ready to install these updates. If you want to update the operating system manually, go to <http://www.hp.com/support>.

You can also set preferences for backing up and restoring your data in case of loss.

Back up and reset

1. To access Settings, touch the **All apps** icon, and then touch **Settings**.
2. Under **PERSONAL**, touch **Back up & reset**.
3. Under **BACKUP & RESTORE**, select one or more of the following:
 - **Back up my data**—Select the check box to enable backing up app data, Wi-Fi passwords, and other settings to Google servers.
 - **Backup account**—Select a Google account for backing up data.
 - **Automatic restore**—Select the check box to enable backed up settings and data to be restored when an app is reinstalled.

Factory data reset

To reset all settings and delete all data on the device:

1. To access Settings, touch the **All apps** icon, and then touch **Settings**.
2. Under **PERSONAL**, touch **Back up & reset**.
3. Under **PERSONAL DATA**, select **Factory data reset**, and then follow the on-screen instructions.

Android system recovery mode

1. Press the power button, and then touch **Power off**.
2. Press the power button and the volume up button at the same time.
3. Press the volume up or volume down button to advance through the options, and then press the power button to select one of the following options:
 - Reboot system now.
 - Apply update from ADB.
 - Update/recover from SD card.

6 Tablet specifications

	Metric	U.S.
Dimensions		
Width	19.7 cm	7.8 in
Depth	1.1 cm	0.4 in
Height	12.0 cm	4.7 in
Weight	0.4 kg	0.9 lbs
Temperature		
Operating	5°C to 35°C	41°F to 95°F
Nonoperating	-20°C to 60°C	-4°F to 140°F
Relative humidity (noncondensing)		
Operating	10% to 90%	
Nonoperating	5% to 95%	
Maximum altitude (unpressurized)		
Operating	-15 m to 3,048 m	-50 ft to 10,000 ft
Nonoperating	-15 m to 12,192 m	-50 ft to 40,000 ft
NOTE: Applicable product safety standards specify thermal limits for plastic surfaces. The device operates well within this range of temperatures.		

7 Power cord set requirements

The wide-range input feature of the tablet permits it to operate from any line voltage from 100 to 120 volts AC, or from 220 to 240 volts AC.

The 3-conductor power cord set included with the tablet meets the requirements for use in the country or region where the equipment is purchased.

Power cord sets for use in other countries and regions must meet the requirements of the country or region where the tablet is used.

Requirements for all countries

The following requirements are applicable to all countries and regions:

- The length of the power cord set must be at least **1.0 m** (3.3 ft) and no more than **2.0 m** (6.5 ft).
- All power cord sets must be approved by an acceptable accredited agency responsible for evaluation in the country or region where the power cord set will be used.
- The power cord sets must have a minimum current capacity of 10 amps and a nominal voltage rating of 125 or 250 V AC, as required by the power system of each country or region.
- The appliance coupler must meet the mechanical configuration of an EN 60 320/IEC 320 Standard Sheet C13 connector for mating with the appliance inlet on the back of the tablet.

Requirements for specific countries and regions

Country/region	Accredited agency	Applicable note number
Australia	EANSW	1
Austria	OVE	1
Belgium	CEBC	1
Canada	CSA	2
Denmark	DEMKO	1
Finland	FIMKO	1
France	UTE	1
Germany	VDE	1
Italy	IMQ	1
Japan	METI	3
The Netherlands	KEMA	1
Norway	NEMKO	1
The People's Republic of China	COC	5
South Korea	EK	4
Sweden	SEMKO	1
Switzerland	SEV	1
Taiwan	BSMI	4
The United Kingdom	BSI	1
The United States	UL	2

1. The flexible cord must be Type HO5VV-F, 3-conductor, 1.0-mm² conductor size. Power cord set fittings (appliance coupler and wall plug) must bear the certification mark of the agency responsible for evaluation in the country or region where it will be used.
2. The flexible cord must be Type SPT-3 or equivalent, No. 18 AWG, 3-conductor. The wall plug must be a two-pole grounding type with a NEMA 5-15P (15 A, 125 V) or NEMA 6-15P (15 A, 250 V) configuration.
3. The appliance coupler, flexible cord, and wall plug must bear a "T" mark and registration number in accordance with the Japanese Dentori Law. The flexible cord must be Type VCT or VCTF, 3-conductor, 1.00-mm² conductor size. The wall plug must be a two-pole grounding type with a Japanese Industrial Standard C8303 (7 A, 125 V) configuration.
4. The flexible cord must be Type RVV, 3-conductor, 0.75-mm² conductor size. Power cord set fittings (appliance coupler and wall plug) must bear the certification mark of the agency responsible for evaluation in the country or region where it will be used.
5. The flexible cord must be Type VCTF, 3-conductor, 0.75-mm² conductor size. Power cord set fittings (appliance coupler and wall plug) must bear the certification mark of the agency responsible for evaluation in the country or region where it will be used.

8 Recycling

When a non-rechargeable or rechargeable battery has reached the end of its useful life, do not dispose of the battery in general household waste. Follow the local laws and regulations in your area for battery disposal.

HP encourages customers to recycle used electronic hardware, HP original print cartridges, and rechargeable batteries. For more information about recycling programs, see the HP Web site at <http://www.hp.com/recycle>.

Index

A

antenna board
removal 24
spare part number 6, 8, 24
audio, product description 1

B

battery
removal 16
spare part number 6, 8, 16

C

cables, service considerations 10
connectors, service considerations 10

D

display assembly, spare part number 6, 8
display panel, product description 1
drives, preventing damage 10

E

electrostatic discharge 11
equipment guidelines 13

F

front-facing webcam
removal 21
spare part number 6, 8, 21

G

grounding guidelines 11
guidelines
equipment 13
grounding 11
packaging 12

transporting 12
workstation 12

H

HP Tablet 7, spare part numbers 7, 8

I

I/O bezel
removal 14
spare part number 5, 8, 15

K

keys, product description 1

M

mass storage device, precautions 10
mass storage, product description 1
memory module, product description 1
microphone, product description 1
model name 1

O

operating system, product description 1

P

packaging guidelines 12
plastic parts, service considerations 9
ports, product description 1
power adapter, spare part numbers 7, 8
power cord set requirements 30

power requirements, product description 1
processor, product description 1
product description
audio 1
display panel 1
keys 1
mass storage 1
memory module 1
microphone 1
operating system 1
ports 1
power requirements 1
processors 1
product name 1
serviceability 1
video 1
product name 1

R

rear cover
removal 14
spare part numbers 5, 8, 14
rear-facing webcam
removal 21
spare part number 6, 8, 21
removal/replacement procedures 14

S

Screw Kit, spare part number 7, 8
service considerations
cables 10
connectors 10
plastic parts 9
serviceability, product description 1
side trim
illustrated 7

- removal 26
- spare part number 26
- speakers
 - removal 25
 - spare part number 6, 8, 25
- system board
 - removal 18
 - spare part numbers 6, 8, 18
- system board bracket, illustrated 7

T

- tablet, major components 5
- tablet, spare part numbers 7, 8
- tools required 9
- transporting guidelines 12
- Trim Kit
 - contents 7
 - spare part number 6, 7, 8

U

- USB cable extension, spare part number 7, 8
- USB connector
 - removal 23
 - spare part number 6, 8, 23

V

- video, product description 1
- volume control button actuator
 - illustrated 7
 - location 26

W

- webcam
 - removal 21
 - spare part numbers 6, 8, 21
- workstation guidelines 12

