



HP ProDisplay P19A LED Backlit Monitor

User Guide

© 2013 Hewlett-Packard Development
Company, L.P.

The only warranties for HP products and services are set forth in the express warranty statements accompanying such products and services. Nothing herein should be construed as constituting an additional warranty. HP shall not be liable for technical or editorial errors or omissions contained herein.


This document contains proprietary information that is protected by copyright. No part of this document may be photocopied, reproduced, or translated to another language without the prior written consent of Hewlett-Packard Company.


First Edition (April 2013)

Document Part Number: 720604–001

About This Guide

This guide provides information on monitor features, setting up the monitor, and technical specifications.

 **WARNING!** Text set off in this manner indicates that failure to follow directions could result in bodily harm or loss of life.

 **CAUTION:** Text set off in this manner indicates that failure to follow directions could result in damage to equipment or loss of information.

 **NOTE:** Text set off in this manner provides important supplemental information.

Table of contents

1 Product Features	1
HP LED Monitor	1
2 Setting Up the Monitor	2
Attaching the Stand Base	2
Rear Components	3
Connecting the Cables	4
Front Panel Controls	5
Adjusting the Monitor	6
Turning on the Monitor	6
Using the Accessory Rails	7
Mounting the Monitor Panel	7
Locating the Rating Labels	9
Installing a Cable Lock	9
3 Finding More Information	10
Product Support	10
4 Technical Specifications	11
Preset Display Resolutions	11
Entering User Modes	12

1 Product Features

HP LED Monitor

The LED (light-emitting diode) monitor has an active matrix, thin-film transistor (TFT) panel. The monitor features include:

- 48.2-cm (19-inch) diagonal viewable area display with 1280 x 1024 resolution, plus full-screen support for lower resolutions; includes custom scaling for maximum image size while preserving original aspect ratio
- Non-glare panel with an LED backlight that consumes less energy than traditional CCFL backlights
- Wide viewing angle to allow viewing from a sitting or standing position, or moving side-to-side
- Tilt capability
- Removable stand for flexible monitor panel mounting solutions
- Video signal input to support VGA analog
- Accessory rail on monitor to accept optional mounted devices, such as an HP speaker bar
- Plug-and-play capability if supported by the operating system
- Privacy filter slots to insert filters (purchased separately) to block side screen viewing
- Security slot provision on rear of monitor for optional cable lock
- On-Screen Display (OSD) adjustments in several languages for easy setup and screen optimization
- HP Display Assistant for adjusting monitor settings and enabling the theft deterrence feature
- Software and documentation CD that includes monitor drivers and product documentation
- Energy saver feature to meet requirements for reduced power consumption
- Safety guidelines, certifications, and regulatory notices for this product is available in the *HP LCD Monitors Reference Guide* on the CD included with this monitor

2 Setting Up the Monitor

To set up the monitor, ensure that the power is turned off to the monitor, computer system, and other attached devices, then follow the instructions below.

Attaching the Stand Base

1. Lift the stand base from the monitor box and set it on a flat surface such as a table top.
2. Using both hands, lift the monitor from its box, position the monitor stand over the stand base, and press down firmly to lock it in place. Be sure the stand base is securely locked in place and adjust the tilt angle to the desired position.

CAUTION: Do not touch the surface of the LED panel. Pressure on the panel may cause non-uniformity of color or disorientation of the liquid crystals. If this occurs the screen will not recover to its normal condition.

Figure 2-1 Attaching the Monitor Stand Base



NOTE: To remove the stand base, press inward on the tab in the center of the underside of the stand base and pull the stand base from the stand.

Rear Components

Figure 2-2 Rear Components

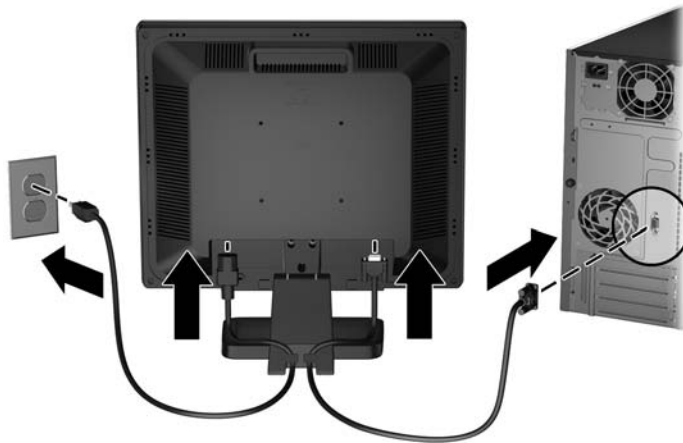


Component	Function
1 AC Power Connector	Connects the AC power cord to the monitor.
2 VGA	Connects the VGA cable to the monitor.

Connecting the Cables

1. Place the monitor in a convenient, well-ventilated location near the computer.
2. Connect the VGA signal cable.
3. Connect one end of the power cord to the AC power connector on the back of the monitor, and the other end to an electrical wall outlet.

Figure 2-3 Connecting the Cables



⚠ WARNING! To reduce the risk of electric shock or damage to the equipment:

Do not disable the power cord grounding plug. The grounding plug is an important safety feature.

Plug the power cord into a grounded (earthed) electrical outlet that is easily accessible at all times.

Disconnect power from the equipment by unplugging the power cord from the electrical outlet.

For your safety, do not place anything on power cords or cables. Arrange them so that no one may accidentally step on or trip over them. Do not pull on a cord or cable. When unplugging from the electrical outlet, grasp the cord by the plug.

Front Panel Controls

Figure 2-4 Monitor Front Panel Controls

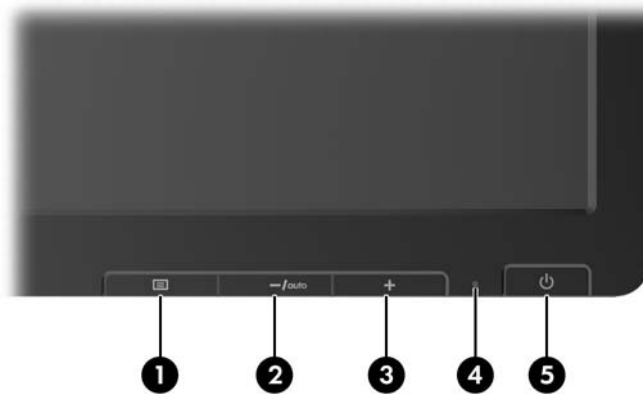







Table 2-1 Monitor Front Panel Controls

Control	Function
1  Menu	Opens, selects or exits the OSD menu. If the OSD menu is on, press to select the highlighted menu item.
2  Minus/Auto	If the OSD menu is on, press to navigate backward through the OSD menu and decrease adjustment levels. If the OSD menu is inactive, press to activate the auto adjustment feature to optimize the screen image.
3  Plus	If the OSD menu is on, press to navigate forward through the OSD menu and increase adjustment levels.
4	Power LED White = Fully powered. Amber = Sleep mode Flashing Amber = Sleep Timer mode
5  Power	Turns the monitor on or off.

 **NOTE:** To view an OSD menu simulator, visit the HP Customer Self Repair Services Media Library at <http://www.hp.com/go/sml>.

Adjusting the Monitor

Tilt the monitor panel forward or backward to set it to a comfortable eye level.

Figure 2-5 Tilting the Monitor



Turning on the Monitor

1. Press the power button on the computer to turn on the computer.
2. Press the power button on the front of the monitor to turn on the monitor.

CAUTION: Burn-in image damage may occur on monitors that display the same static image on screen for a prolonged period of time.* To avoid burn-in image damage on the monitor screen, you should always activate a screen saver application or turn off the monitor when it is not in use for a prolonged period of time. Image retention is a condition that may occur on all LED screens. Monitors with a “burned-in image” are not covered under the HP warranty.

* A prolonged period of time is 12 consecutive hours of non-use.

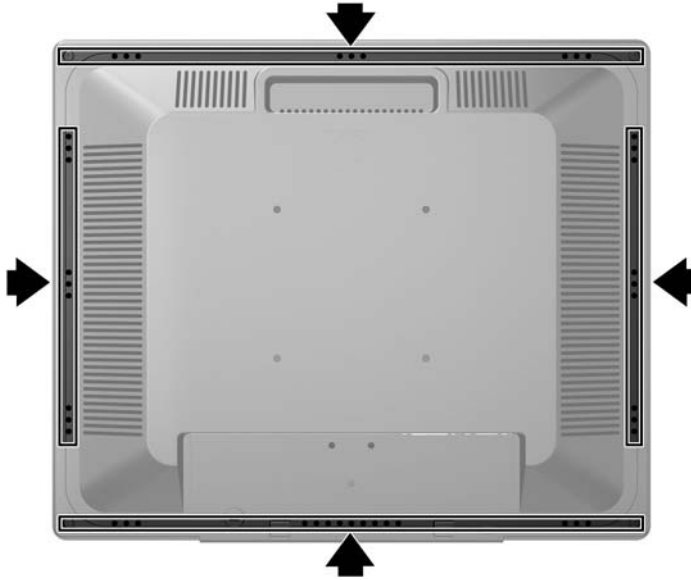
NOTE: If pressing the power button has no effect, the power button lockout feature may be enabled. To disable this feature, press and hold the monitor power button for 10 seconds.

NOTE: You can disable the power LED in the OSD menu. Press the **Menu** button on the front of the monitor, then select **Management > Bezel Power LED > Off**.

Using the Accessory Rails

The monitor features accessory rails on the rear that can be used to mount optional devices, such as the HP speaker bar, to attach to the monitor. Refer to the documentation included with the optional device for detailed mounting instructions.

Figure 2-6 Using the Accessory Rails Feature



Mounting the Monitor Panel

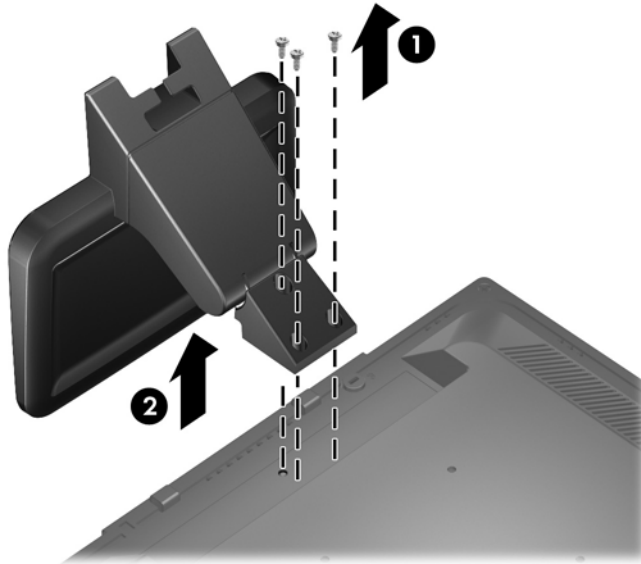
You can remove the monitor panel from the pedestal base to install the panel on a wall, a swing arm (sold separately), or other mounting fixture. Four threaded mounting holes are provided on the monitor back panel to be used for mounting purposes.

CAUTION: Before beginning to disassemble the monitor, be sure the monitor is turned off and the power and signal cables are both disconnected.

1. Disconnect and remove the signal and power cables from the back of the monitor.
2. Lay the monitor face down on a flat surface covered by a dry, clean cloth.

3. Remove the three screws from the back of the monitor that connect the monitor panel to the pedestal base (1) and slide the pedestal base from the monitor panel (2).

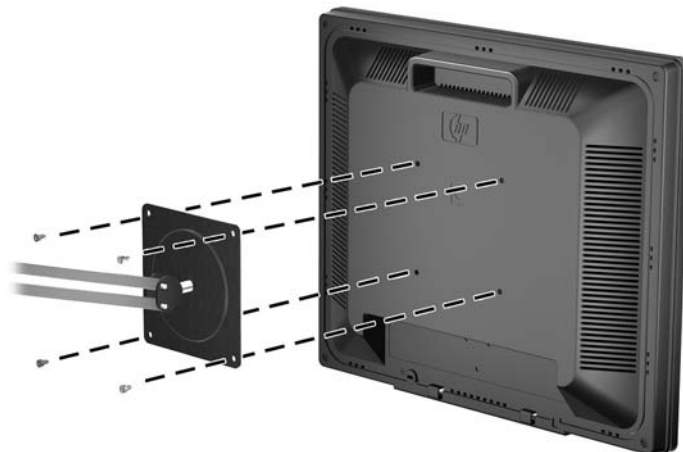
Figure 2-7 Removing the Pedestal Base



4. To attach the monitor to a swing arm (sold separately), insert four 10mm screws through the holes on the swing arm plate and into the mounting holes on the monitor.

CAUTION: This monitor supports the VESA industry standard 100 mm mounting holes. To attach a third-party mounting solution to the monitor, four 4 mm, 0.7 pitch, and 10 mm long screws are required. Longer screws must not be used because they may damage the monitor. It is important to verify that the manufacturer's mounting solution is compliant with the VESA standard and is rated to support the weight of the monitor display panel. For best performance, it is important to use the power and video cables provided with the monitor.

Figure 2-8 Installing the Monitor on a Swing Arm (sold separately)



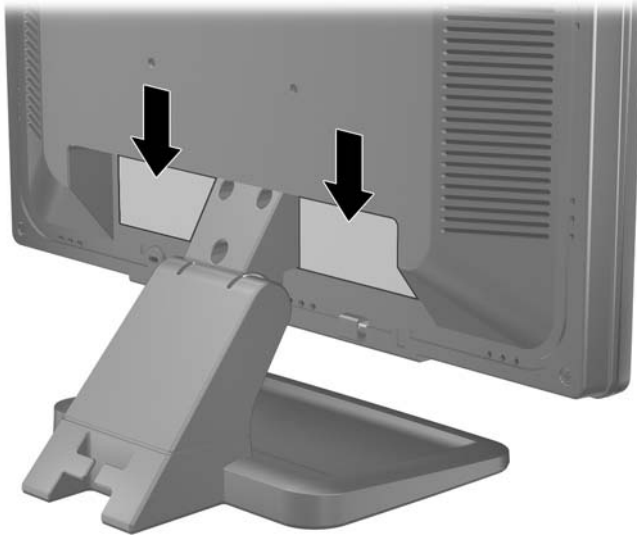
To attach the monitor to other mounting fixtures, follow the instructions included with the mounting fixture to ensure that the monitor is safely attached.

5. Reconnect the cables to the monitor panel.

Locating the Rating Labels

The rating labels on the monitor provide the spare part number, product number, and serial number. You may need these numbers when contacting HP about the monitor model. The rating labels are located on the rear panel of the monitor.

Figure 2-9 Locating the Rating Labels



Installing a Cable Lock

You can secure the monitor to a fixed object with an optional cable lock available from HP (sold separately).

Figure 2-10 Installing a Cable Lock



3 Finding More Information

Refer to the *HP LCD Monitors Reference Guide* included on the CD with your monitor for additional information on:

- Optimizing monitor performance
- Safety and maintenance guidelines
- Installing software from the CD
- Using the OSD menu
- Downloading software from the Web
- Agency regulatory information
- Troubleshooting and recommended solutions to common problems

Product Support

For additional information on using and adjusting your monitor, go to <http://www.hp.com/support>. Select your country or region, select **Product Support & Troubleshooting**, and then enter your monitor model in the Search window.



NOTE: The monitor user guide, reference guide, and drivers are available at <http://www.hp.com/support>.

If the information provided in the guide or in the *HP LCD Monitors Reference Guide* does not address your questions, you can contact support. For U.S. support, go to <http://www.hp.com/go/contactHP>. For worldwide support, go to http://welcome.hp.com/country/us/en/wwcontact_us.html. Here you can:

- Chat online with an HP technician



NOTE: When support chat is not available in a particular language, it is available in English.

- Find e-mail support
- Find support telephone numbers
- Locate an HP service center

4 Technical Specifications



NOTE: All specifications represent the typical specifications provided by HP's component manufacturers; actual performance may vary.

Table 4-1 P19A Specifications

Maximum Weight (Unpacked)	3.47 kg	7.65 lbs
Dimensions (include stand)		
Height	41.82 cm	16.46 inches
Depth	20.64 cm	8.13 inches
Width	41.40 cm	16.3 inches
Maximum Graphic Resolution	1280 x 1024 (60Hz) analog input	
Optimum Graphic Resolution	1280 x 1024 (60 Hz) analog input	
Power Source	100 – 240 VAC 50/60 Hz	
Input Terminal	One VGA connector	
Tilt	–5° to 25°	
Operating Temperature	5° to 35° C	41° to 95° F
Operating Altitude	0 to 5,000 m	0 to 16,400 ft.

NOTE: For more information, go to <http://www.hp.com/go/productbulletin> and search for your specific display model to find the model-specific QuickSpecs.

Preset Display Resolutions

The display resolutions listed below are the most commonly used modes and are set as factory defaults. This monitor automatically recognizes these preset modes and they will appear properly sized and centered on the screen

Table 4-2 Factory Preset Modes

Preset	Pixel Format	Horz Freq (kHz)	Vert Freq (Hz)
1	640 × 480	31.47	59.94
2	720 × 400	31.47	70.09
3	800 × 600	37.88	60.32
4	1024 × 768	48.36	60.00
5	1280 × 960	60.00	60.00
6	1280 × 1024	63.98	60.02

Entering User Modes

The video controller signal may occasionally call for a mode that is not preset if you are not using a standard graphics adapter.