



HP 10 Tablet

Maintenance and Service Guide

IMPORTANT! This document is intended for
HP authorized service providers only.

© Copyright 2013 Hewlett-Packard
Development Company, L.P.

Bluetooth is a trademark owned by its proprietor and used by Hewlett-Packard Company under license. SD Logo is a trademark of its proprietor.

The information contained herein is subject to change without notice. The only warranties for HP products and services are set forth in the express warranty statements accompanying such products and services. Nothing herein should be construed as constituting an additional warranty. HP shall not be liable for technical or editorial errors or omissions contained herein.

First Edition: October 2013

Document Part Number: 739827-001

Product notice

This guide describes features that are common to most models. Some features may not be available on your tablet.

Software terms

By installing, copying, downloading, or otherwise using any software product preinstalled on this tablet, you agree to be bound by the terms of the HP End User License Agreement (EULA). If you do not accept these license terms, your sole remedy is to return the entire unused product (hardware and software) within 14 days for a refund subject to the refund policy of your place of purchase.

For any further information or to request a full refund of the tablet, please contact your local point of sale (the seller).

Safety warning notice

⚠ WARNING! To reduce the possibility of heat-related injuries or of overheating the device, do not place the device directly on your lap or obstruct the device air vents. Use the device only on a hard, flat surface. Do not allow another hard surface, such as an adjoining optional printer, or a soft surface, such as pillows or rugs or clothing, to block airflow. Also, do not allow the AC adapter to contact the skin or a soft surface, such as pillows or rugs or clothing, during operation. The device and the AC adapter comply with the user-accessible surface temperature limits defined by the International Standard for Safety of Information Technology Equipment (IEC 60950).

Table of contents

1 Product description	1
2 External component identification	3
3 Illustrated parts catalog	4
Locating the serial number, product number, and model number	4
Tablet major components	5
Miscellaneous parts	6
Sequential part number listing	6
4 Removal and replacement preliminary requirements	8
Tools required	8
Service considerations	8
Plastic parts	8
Cables and connectors	8
Grounding guidelines	9
Electrostatic discharge damage	9
Packaging and transporting guidelines	10
Workstation guidelines	10
5 Removal and replacement procedures	12
Tablet component replacement procedures	12
Back cover	12
Battery	14
Speakers	15
I/O board	16
Power button board	17
System board	19
Rear-facing webcam	22
Front-facing webcam	23

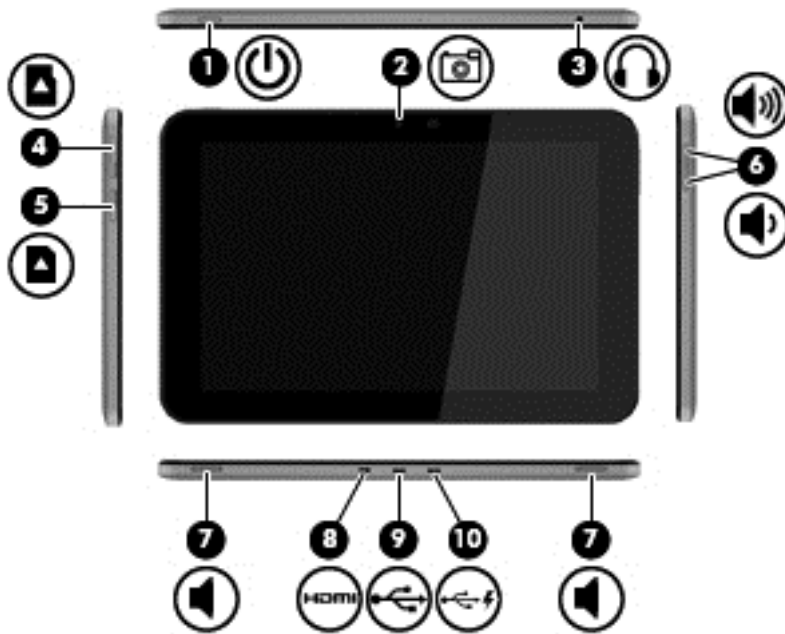
6 Specifications	24
7 Backing up and recovering your data	25
Updating apps, widgets, and the operating system	25
Back up and reset	25
Factory data reset	26
8 Power cord set requirements	27
Requirements for all countries	27
Requirements for specific countries and regions	27
9 Recycling	29
Index	30

1 Product description

Category	Description
Product Name	HP 10 Tablet
Processor	Broadcom® Cortex® A9 dual core 1.20-GHz processor
Panel	10.1-in, TouchScreen (1280×800) display panel with 5-point multi-touch
Graphics	Broadcom graphics
Memory	Supports 1.0-GB LP DDR2 system memory
Mass storage	Supports an 8.0-GB eMMC solid-state drive
Audio and video	One microphone Two 0.5-W stereo speakers 0.3-MP fixed-focus front-facing webcam 2.0-MP fixed-focus rear-facing webcam
Sensors	<ul style="list-style-type: none">• Ambient light sensor• Accelerometer• A-GPS• Gyro
Wireless networking	Integrated wireless option: 802.11b/g/n with 2 antenna Bluetooth: 3.0 EDR GSM: 850-/900-/1800-/1900-MHz WCDMA: 1900-/2100-/900-MHz HSDPA+(21M): 1900-/2100-/ 900-MHz
External expansion	Integrated micro SD card expandable to 32-GB

Category	Description
Ports	<ul style="list-style-type: none">• Audio: headphone/microphone combo jack• Micro HDMI• Micro SD Card• Micro USB (2)• SIM Slot
Power requirements	Support for 4600-mAhr, Li-ion battery (non-removable) Support for 10-W AC adapter with DC plug and localized cable plug support
Security	Columbia remote wipe solution
Operating system	Preinstalled: Android 4.1.2
Serviceability	End user replaceable part: AC adapter

2 External component identification

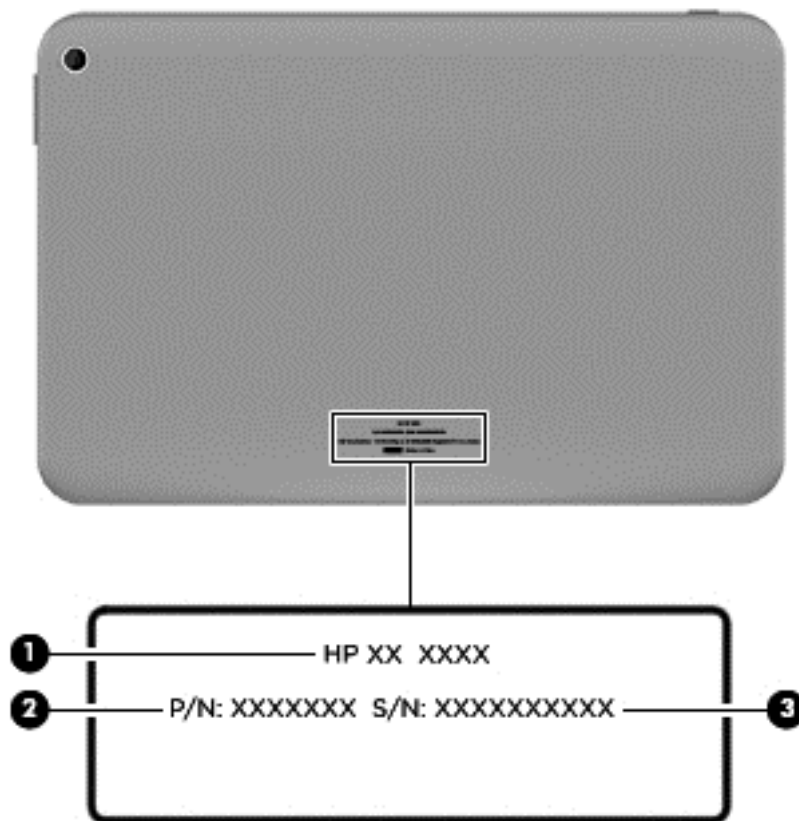


Item	Component	Item	Component
(1)	Power button	(6)	Volume control buttons (2)
(2)	Webcamera	(7)	Speakers (2)
(3)	Audio-out (headphone)/Audio-in (microphone) jack	(8)	Micro HDMI port
(4)	Micro memory card reader	(9)	Micro USB 2.0 port
(5)	Micro SIM slot	(10)	Powered micro USB 2.0 port

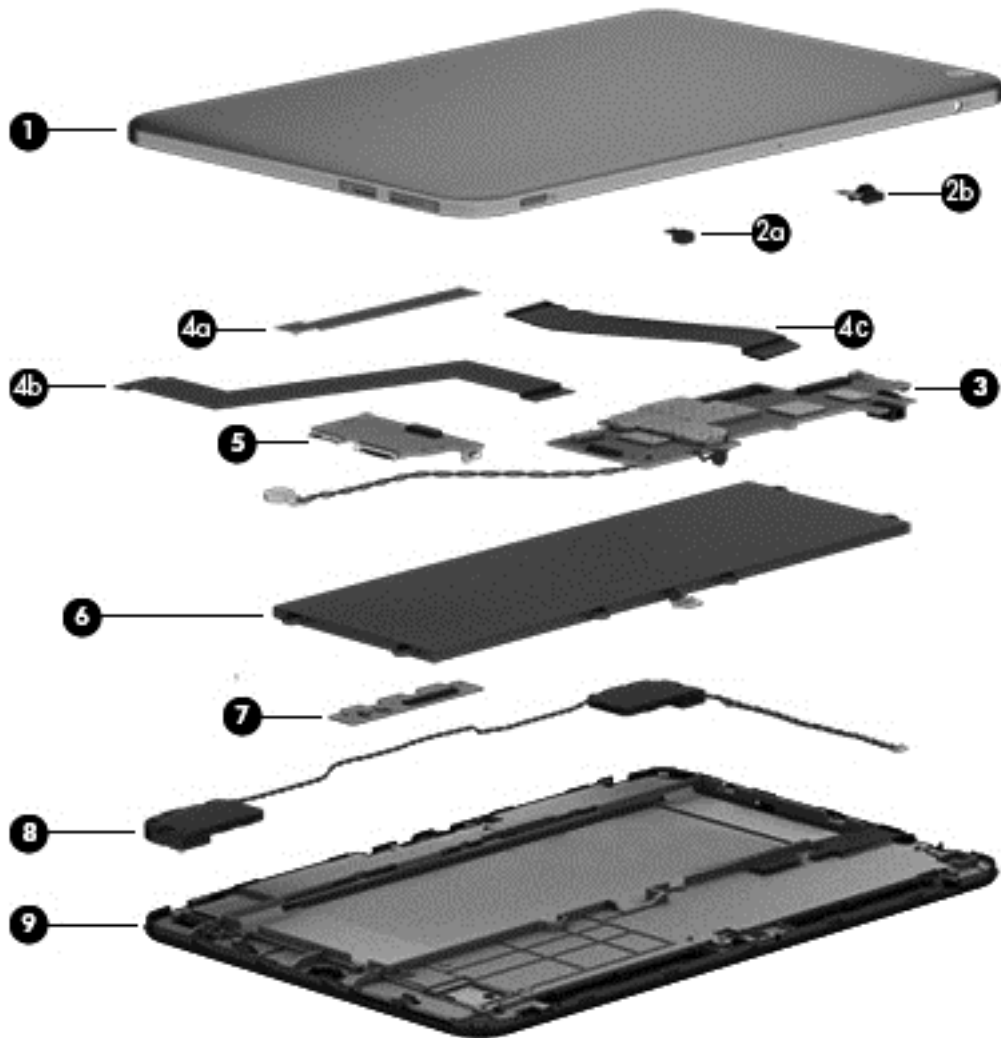
3 Illustrated parts catalog

Locating the serial number, product number, and model number

The serial number and product number of your tablet are located on the left edge of the tablet. The model number of your tablet is located on the back of your tablet. You may need the information when you travel internationally or when you contact support.



Tablet major components



Item	Component	Spare part number
(1)	Back cover	739004-001
	Webcamera Kit , includes:	739008-001
(2a)	Rear-facing webcam (includes cable)	
(2b)	Front-facing webcam (includes cable)	
(3)	System board equipped with a Broadcom Cortex A9 dual core 1.20-GHz processor, 1.0-GB LP DDR2 system memory, an 8.0-GB eMMC solid-state drive, a graphics subsystem with UMA memory, and the Android 4.1.2 operating system (includes microphone and cable and vibrator module and cable)	746636-001
	Cable Kit , includes:	746637-001
(4a)	Power button board cable	
(4b)	I/O board cable	

Item	Component	Spare part number
(4c)	Display panel cable	
(5)	Power button board (includes micro SD Card Reader slot and SIM slot) NOTE: The power button board spare part kit does not included the power button board cable. The power button board cable is included in the Cable Kit, spare part number 746637-001.	739010-001
(6)	Battery , 4600-mAhr, Li-ion, (includes cable)	739002-001
(7)	I/O board (includes HDMI port, USB port, and powered USB port) NOTE: The I/O board spare part kit does not included the I/O board cable. The I/O board cable is included in the Cable Kit, spare part number 746637-001.	746635-001
(8)	Speaker Kit (includes left and right speakers and cables)	739007-001
(9)	10.1-in TouchScreen display panel assembly NOTE: The display panel assembly spare part kit does not included the display panel cable. The display panel cable is included in the Cable Kit, spare part number 746637-001.	739005-001

Miscellaneous parts

Component	Spare part number
10-W AC adapter for use only in North America (includes plug)	727658-001
HP 10 Tablet equipped with a 10.1-in TouchScreen display, a Broadcom Cortex A9 dual core 1.20-GHz processor, 1.0-GB LP DDR2 system memory, an 8.0-GB eMMC solid-state drive, a graphics subsystem with UMA memory, and the Android 4.1.2 operating system	747219-001
HP USB extension cable	733059-001
Plastics Kit (includes the power button actuator and the volume button actuator)	739003-001
Screw Kit	739006-001

Sequential part number listing

Spare part number	Description
727658-001	10-W AC adapter for use only in North America (includes plug)
739002-001	Battery, 4600-mAhr, Li-ion, (includes cable)
746637-001	Cable Kit (includes the display panel cable, I/O board cable, power button board cable, and the WiFi cable)
739004-001	Back cover
739005-001	10.1-in TouchScreen display panel assembly

Spare part number	Description
746635-001	I/O board (includes HDMI port, USB port, and powered USB port)
739003-001	Plastics Kit (includes the power button actuator and the volume button actuator)
739010-001	Power button board (includes micro SD Card Reader slot and SIM slot)
739006-001	Screw Kit
739007-001	Speaker Kit (includes left and right speakers and cables)
746636-001	System board equipped with a Broadcom Cortex A9 dual core 1.20-GHz processor, 1.0-GB LP DDR2 system memory, an 8.0-GB eMMC solid-state drive, a graphics subsystem with UMA memory, and the Android 4.1.2 operating system (includes microphone and cable and vibrator module and cable)
747219-001	HP 10 Tablet equipped with a 10.1-in TouchScreen display, a Broadcom Cortex A9 dual core 1.20-GHz processor, 1.0-GB LP DDR2 system memory, an 8.0-GB eMMC solid-state drive, a graphics subsystem with UMA memory, and the Android 4.1.2 operating system
733059-001	HP USB extension cable
739008-001	Webcamera Kit (includes front-facing webcamera and cable and rear-facing webcamera and cable)

4 Removal and replacement preliminary requirements

Tools required

You will need the following tools to complete the removal and replacement procedures:

- Magnetic screw driver
- Phillips PO screw driver
- Plastic case utility tool

Service considerations

The following sections include some of the considerations that you must keep in mind during disassembly and assembly procedures.



NOTE: As you remove each subassembly from the tablet, place the subassembly (and all accompanying screws) away from the work area to prevent damage.

Plastic parts



CAUTION: Using excessive force during disassembly and reassembly can damage plastic parts. Use care when handling the plastic parts. Apply pressure only at the points designated in the maintenance instructions.

Cables and connectors



CAUTION: When servicing the tablet, be sure that cables are placed in their proper locations during the reassembly process. Improper cable placement can damage the tablet.

Cables must be handled with extreme care to avoid damage. Apply only the tension required to unseat or seat the cables during removal and insertion. Handle cables by the connector whenever possible. In all cases, avoid bending, twisting, or tearing cables. Be sure that cables are routed in such a way that they cannot be caught or snagged by parts being removed or replaced. Handle flex cables with extreme care; these cables tear easily.

Grounding guidelines

Electrostatic discharge damage

Electronic components are sensitive to electrostatic discharge (ESD). Circuitry design and structure determine the degree of sensitivity. Networks built into many integrated circuits provide some protection, but in many cases, ESD contains enough power to alter device parameters or melt silicon junctions.

A discharge of static electricity from a finger or other conductor can destroy static-sensitive devices or microcircuitry. Even if the spark is neither felt nor heard, damage may have occurred.

An electronic device exposed to ESD may not be affected at all and can work perfectly throughout a normal cycle. Or the device may function normally for a while, then degrade in the internal layers, reducing its life expectancy.

⚠ CAUTION: To prevent damage to the tablet when you are removing or installing internal components, observe these precautions:

Keep components in their electrostatic-safe containers until you are ready to install them.

Before touching an electronic component, discharge static electricity by using the guidelines described in this section.

Avoid touching pins, leads, and circuitry. Handle electronic components as little as possible.

If you remove a component, place it in an electrostatic-safe container.

The following table shows how humidity affects the electrostatic voltage levels generated by different activities.

⚠ CAUTION: A product can be degraded by as little as 700 V.

Typical electrostatic voltage levels			
Event	Relative humidity		
	10%	40%	55%
Walking across carpet	35,000 V	15,000 V	7,500 V
Walking across vinyl floor	12,000 V	5,000 V	3,000 V
Motions of bench worker	6,000 V	800 V	400 V
Removing DIPS from plastic tube	2,000 V	700 V	400 V
Removing DIPS from vinyl tray	11,500 V	4,000 V	2,000 V
Removing DIPS from Styrofoam	14,500 V	5,000 V	3,500 V
Removing bubble pack from PCB	26,500 V	20,000 V	7,000 V
Packing PCBs in foam-lined box	21,000 V	11,000 V	5,000 V

Packaging and transporting guidelines

Follow these grounding guidelines when packaging and transporting equipment:

- To avoid hand contact, transport products in static-safe tubes, bags, or boxes.
- Protect ESD-sensitive parts and assemblies with conductive or approved containers or packaging.
- Keep ESD-sensitive parts in their containers until the parts arrive at static-free workstations.
- Place items on a grounded surface before removing items from their containers.
- Always be properly grounded when touching a component or assembly.
- Store reusable ESD-sensitive parts from assemblies in protective packaging or nonconductive foam.
- Use transporters and conveyors made of antistatic belts and roller bushings. Be sure that mechanized equipment used for moving materials is wired to ground and that proper materials are selected to avoid static charging. When grounding is not possible, use an ionizer to dissipate electric charges.

Workstation guidelines

Follow these grounding workstation guidelines:

- Cover the workstation with approved static-shielding material.
- Use a wrist strap connected to a properly grounded work surface and use properly grounded tools and equipment.
- Use conductive field service tools, such as cutters, screw drivers, and vacuums.
- When fixtures must directly contact dissipative surfaces, use fixtures made only of static-safe materials.
- Keep the work area free of nonconductive materials, such as ordinary plastic assembly aids and Styrofoam.
- Handle ESD-sensitive components, parts, and assemblies by the case or PCM laminate. Handle these items only at static-free workstations.
- Avoid contact with pins, leads, or circuitry.
- Turn off power and input signals before inserting or removing connectors or test equipment.

Equipment guidelines

Grounding equipment must include either a wrist strap or a foot strap at a grounded workstation.

- When seated, wear a wrist strap connected to a grounded system. Wrist straps are flexible straps with a minimum of one megohm $\pm 10\%$ resistance in the ground cords. To provide proper ground, wear a strap snugly against the skin at all times. On grounded mats with banana-plug connectors, use alligator clips to connect a wrist strap.
- When standing, use foot straps and a grounded floor mat. Foot straps (heel, toe, or boot straps) can be used at standing workstations and are compatible with most types of shoes or boots. On conductive floors or dissipative floor mats, use foot straps on both feet with a minimum of one megohm resistance between the operator and ground. To be effective, the conductive must be worn in contact with the skin.

The following grounding equipment is recommended to prevent electrostatic damage:

- Antistatic tape
- Antistatic smocks, aprons, and sleeve protectors
- Conductive bins and other assembly or soldering aids
- Nonconductive foam
- Conductive tabletop workstations with ground cords of one megohm resistance
- Static-dissipative tables or floor mats with hard ties to the ground
- Field service kits
- Static awareness labels
- Material-handling packages
- Nonconductive plastic bags, tubes, or boxes
- Metal tote boxes
- Electrostatic voltage levels and protective materials

The following table lists the shielding protection provided by antistatic bags and floor mats.

Material	Use	Voltage protection level
Antistatic plastics	Bags	1,500 V
Carbon-loaded plastic	Floor mats	7,500 V
Metallized laminate	Floor mats	5,000 V

5 Removal and replacement procedures

Tablet component replacement procedures

⚠ CAUTION: Tablet components described in this chapter should only be accessed by an authorized service provider. Accessing these parts can damage the tablet and void the warranty.

This chapter provides removal and replacement procedures for authorized service provider only parts.

There are as many as 13 screws that must be removed, replaced, and/or loosened when servicing the tablet. Make special note of each screw size and location during removal and replacement.

Back cover

Description	Spare part number
Back cover (includes internal shielding)	739004-001
10.1-in TouchScreen display panel assembly	739005-001

NOTE: The display panel assembly spare part kit does not include the display panel cable. The display panel cable is included in the Cable Kit, spare part number 746637-001.

Before disassembling the tablet, follow these steps:

1. Turn off the tablet. If you are unsure whether the tablet is off or in Hibernation, turn the tablet on, and then shut it down through the operating system.
2. Disconnect the power from the tablet by unplugging the power cord from the tablet.
3. Disconnect all external devices from the tablet.

Remove the back cover:

⚠ CAUTION: Before turning the display panel assembly upside down, make sure the work surface is clear of tools, screws, and any other foreign objects. Failure to follow this caution can result in damage to the display panel assembly.

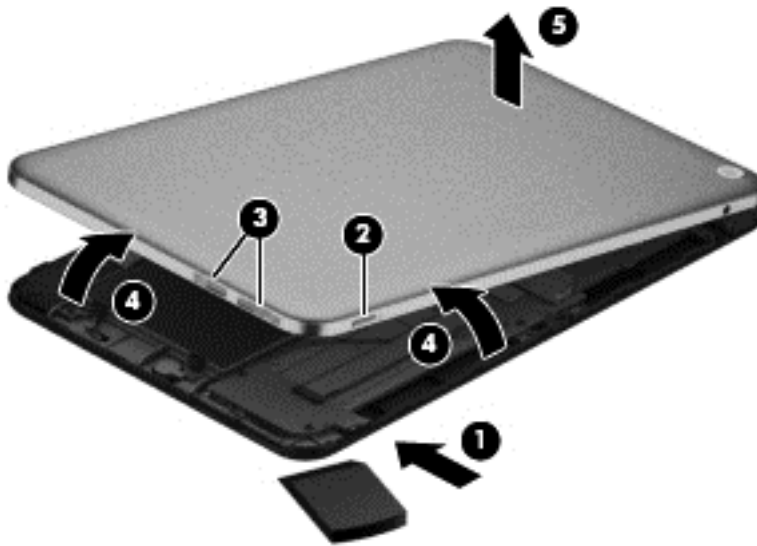
1. Place the tablet on a flat surface, display panel side down, with the power button toward you.

⚠ CAUTION: When inserting the plastic tool into the tablet as described in Step 2, make sure not to insert the tool into the power button area. Failure to follow this caution can result in damage to the tablet.

2. Insert a thin, plastic tool **(1)** between the back cover and the display panel assembly. The first insertion point should be the tablet corner between the power button **(2)** and the micro SD Card Reader slot **(3)** and SIM slot.

⚠ CAUTION: When removing the back cover, make sure the tablet edge containing the micro SD Card Reader slot and SIM slot is the first edge released. Failure to follow this caution can result in damage to the tablet.

3. Lift the left edge of the tablet **(4)** until it rests at an angle.
4. Remove the back cover **(5)**.



Reverse this procedure to install the back cover.

⚠ CAUTION: When installing the back cover, make sure the bottom edge, opposite the micro SD Card Reader slot and SIM slot, is the first edge installed. Failure to follow this caution can result in damage to the tablet.

Battery

Description	Spare part number
Battery, 4600-mAhr, Li-ion, (includes cable)	739002-001

Before removing the battery, follow these steps:

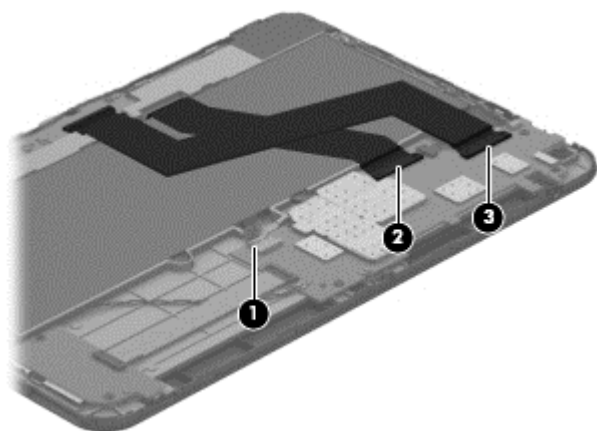
1. Turn off the tablet. If you are unsure whether the tablet is off or in Hibernation, turn the tablet on, and then shut it down through the operating system.
2. Disconnect the power from the tablet by unplugging the power cord from the tablet.
3. Disconnect all external devices from the tablet.
4. Remove the back cover (see [Back cover on page 12](#)).

⚠ WARNING! To reduce potential safety issues, use only the battery provided with the tablet, a replacement battery provided by HP, or a compatible battery purchased from HP.

⚠ CAUTION: Removing a battery that is the sole power source for the tablet can cause loss of information. To prevent loss of information, save your work or shut down the tablet through Windows before removing the battery.

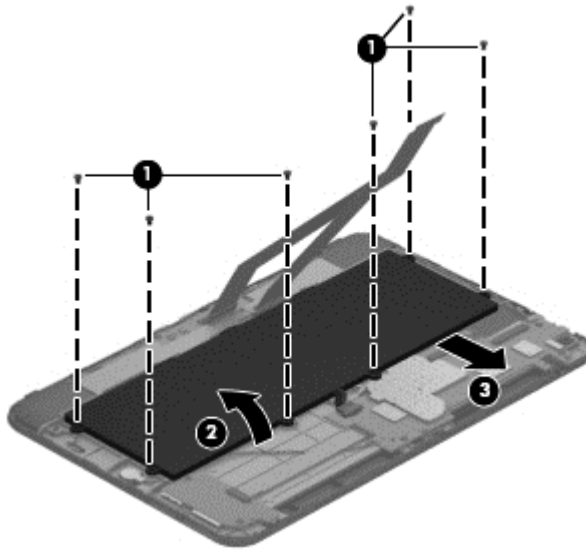
Remove the battery:

1. Disconnect the battery cable **(1)** from the system board.
2. Release the zero insertion force (ZIF) connector **(2)** to which the display panel cable is connected, and then disconnect the display panel cable from the system board.
3. Release the ZIF connector **(3)** to which the I/O board cable is connected, and then disconnect the I/O board cable from the system board.



4. Remove the six Phillips PM2.0×2.75 screws **(1)** that secure the battery to the display panel assembly.
5. Lift the front edge of the battery **(2)** until it rests at an angle.

6. Remove the battery **(3)** by sliding it forward.



Reverse this procedure to install the battery.

Speakers

Description	Spare part number
Speaker Kit (includes left and right speakers and cables)	739007-001

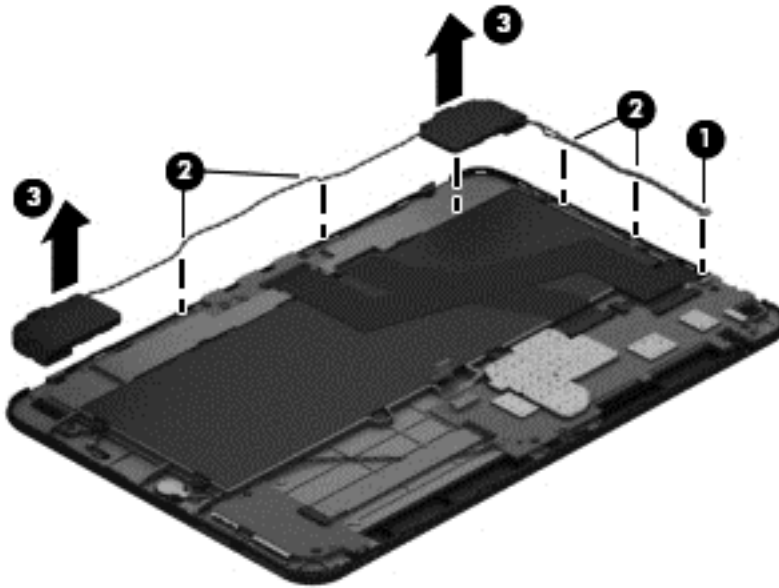
Before removing the speakers, follow these steps:

1. Turn off the tablet. If you are unsure whether the tablet is off or in Hibernation, turn the tablet on, and then shut it down through the operating system.
2. Disconnect the power from the tablet by unplugging the power cord from the tablet.
3. Disconnect all external devices from the tablet.
4. Remove the back cover (see [Back cover on page 12](#)).
5. Disconnect the speaker cable from the system board (see [Battery on page 14](#)).

Remove the speakers:

1. Disconnect the speaker cable **(1)** from the system board.
2. Release the speaker cables **(2)** from the clips built into the display panel assembly.

3. Remove the speakers **(3)** and cables.



Reverse this procedure to install the speakers.

I/O board

Description	Spare part number
I/O board (includes HDMI port, USB port, and powered USB port)	746635-001

NOTE: The I/O board spare part kit does not include the I/O board cable. The I/O board cable is included in the Cable Kit, spare part number 746637-001.

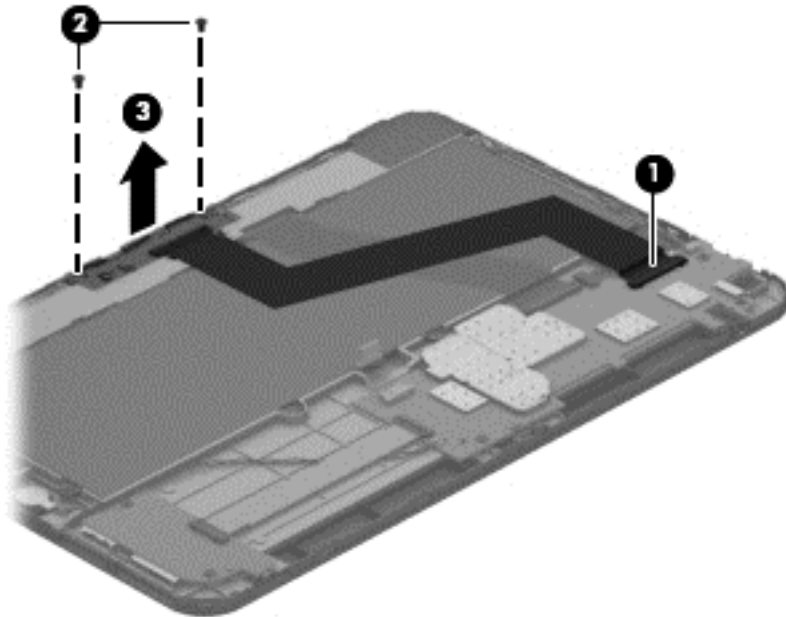
Before removing the I/O board, follow these steps:

1. Turn off the tablet. If you are unsure whether the tablet is off or in Hibernation, turn the tablet on, and then shut it down through the operating system.
2. Disconnect the power from the tablet by unplugging the power cord from the tablet.
3. Disconnect all external devices from the tablet.
4. Remove the back cover (see [Back cover on page 12](#)).
5. Disconnect the speaker cable from the system board (see [Battery on page 14](#)).

Remove the I/O board:

1. Release the ZIF connector **(1)** to which the I/O board cable is connected, and then disconnect the I/O board cable from the system board.
2. Remove the two Phillips PM2.0×2.75 screws **(2)** that secure the I/O board to the display panel assembly.

3. Remove the I/O board **(3)** and cable.



Reverse this procedure to install the I/O board.

Power button board

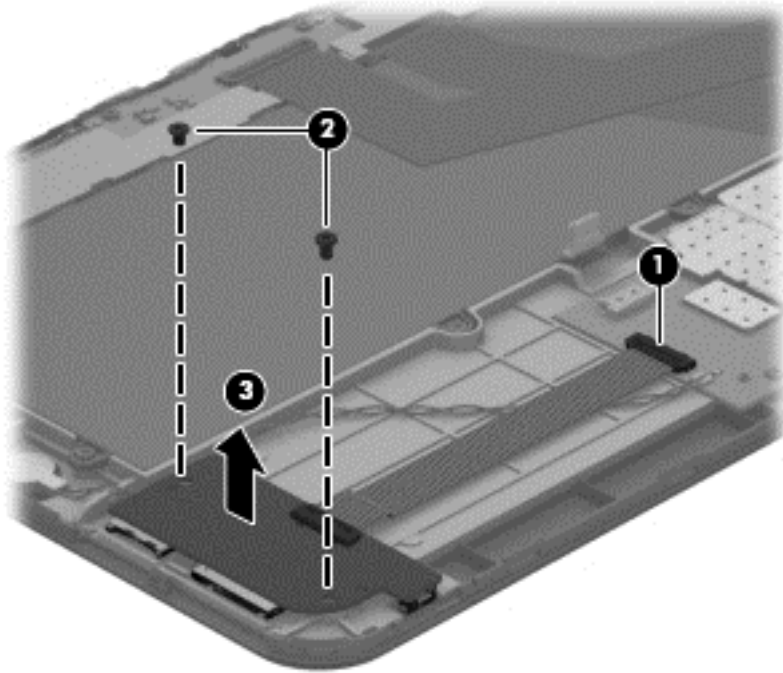
Description	Spare part number
Power button board (includes micro SD Card Reader slot and SIM slot)	739010-001
NOTE: The power button board spare part kit does not include the power button board cable. The power button board cable is included in the Cable Kit, spare part number 746637-001.	

Before removing the power button board, follow these steps:

1. Turn off the tablet. If you are unsure whether the tablet is off or in Hibernation, turn the tablet on, and then shut it down through the operating system.
2. Disconnect the power from the tablet by unplugging the power cord from the tablet.
3. Disconnect all external devices from the tablet.
4. Remove the back cover (see [Back cover on page 12](#)).
5. Disconnect the speaker cable from the system board (see [Battery on page 14](#)).

Remove the power button board:

1. Release the ZIF connector **(1)** to which the power button board cable is connected, and then disconnect the power button board cable from the system board.
2. Remove the two Phillips PM2.0×2.75 screws **(2)** that secure the power button board to the display panel assembly.
3. Remove the power button board **(3)** and cable.



Reverse this procedure to install the power button board.

System board

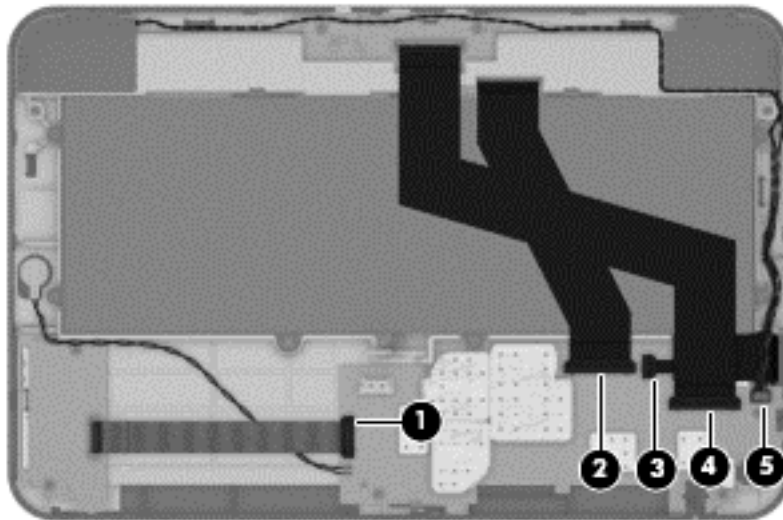
Description	Spare part number
System board equipped with a Broadcom Cortex A9 dual core 1.20-GHz processor, 1.0-GB LP DDR2 system memory, an 8.0-GB eMMC solid-state drive, a graphics subsystem with UMA memory, and the Android 4.1.2 operating system (includes vibrator module and cable)	746636-001

Before removing the system board, follow these steps:

1. Turn off the tablet. If you are unsure whether the tablet is off or in Hibernation, turn the tablet on, and then shut it down through the operating system.
2. Disconnect the power from the tablet by unplugging the power cord from the tablet.
3. Disconnect all external devices from the tablet.
4. Remove the back cover (see [Back cover on page 12](#)).
5. Disconnect the speaker cable from the system board (see [Battery on page 14](#)).
6. Remove the rear-facing webcam (see [Rear-facing webcam on page 22](#)).

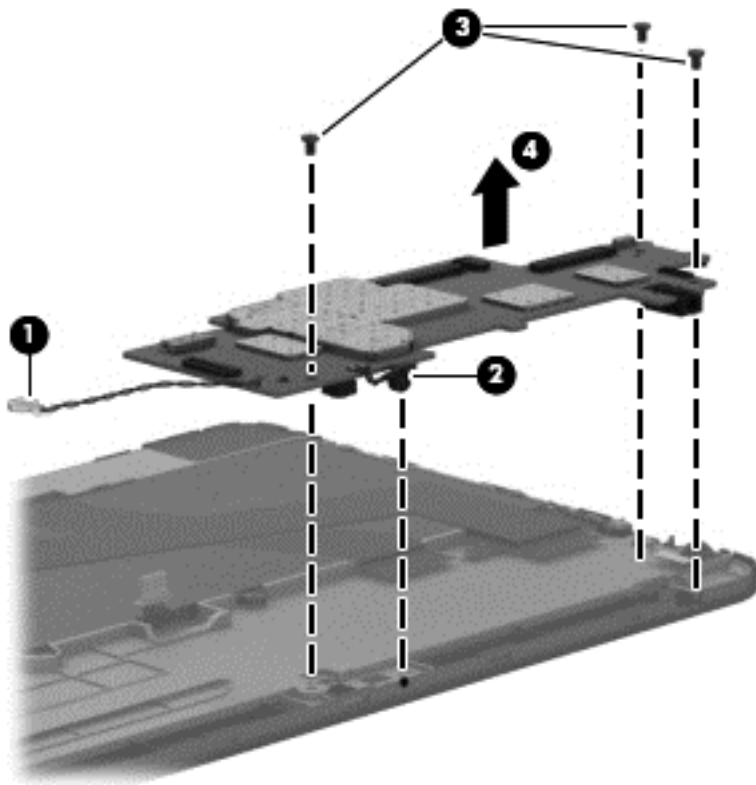
Remove the system board:

1. Disconnect the following cables from the system board:
 - (1) Power button board ZIF connector and cable
 - (2) Display panel ZIF connector and cable
 - (3) TouchScreen ZIF connector and cable
 - (4) I/O board ZIF connector and cable
 - (5) Speaker cable




2. Release the vibrator module **(1)** from the clip built into the display panel assembly.
3. Release the microphone module **(2)** from the clip built into the display panel assembly.
4. Remove the three Phillips PM2.0×2.75 screws **(3)** that secure the system board to the display panel assembly.

5. Remove the system board (4), vibrator module and cable, and microphone and cable.



Reverse this procedure to install the system board.

Rear-facing webcamera

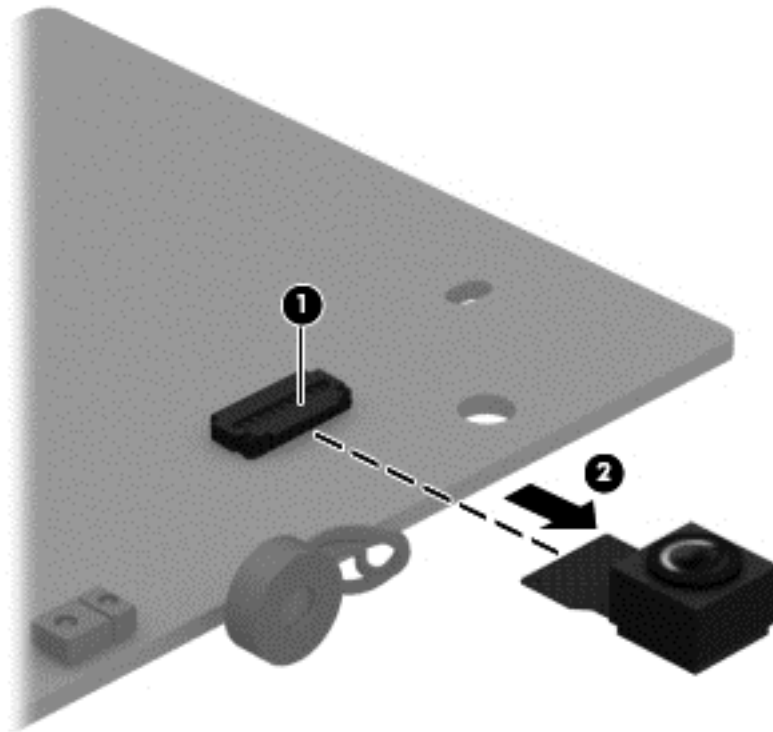
 **NOTE:** The rear-facing webcamera and cable are included in the Webcamera Kit, spare part number 739008-001.

Before removing the rear-facing webcamera, follow these steps:

1. Turn off the tablet. If you are unsure whether the tablet is off or in Hibernation, turn the tablet on, and then shut it down through the operating system.
2. Disconnect the power from the tablet by unplugging the power cord from the tablet.
3. Disconnect all external devices from the tablet.
4. Remove the back cover (see [Back cover on page 12](#)).
5. Disconnect the battery cable from the system board (see [Battery on page 14](#)).


Remove the rear-facing webcamera:

1. Release the ZIF connector **(1)** to which the rear-facing webcamera cable is connected, and then disconnect the rear-facing webcamera cable from the system board.
2. Remove the rear-facing webcamera and cable **(2)**.



Reverse this procedure to install the rear-facing webcamera.

Front-facing webcam

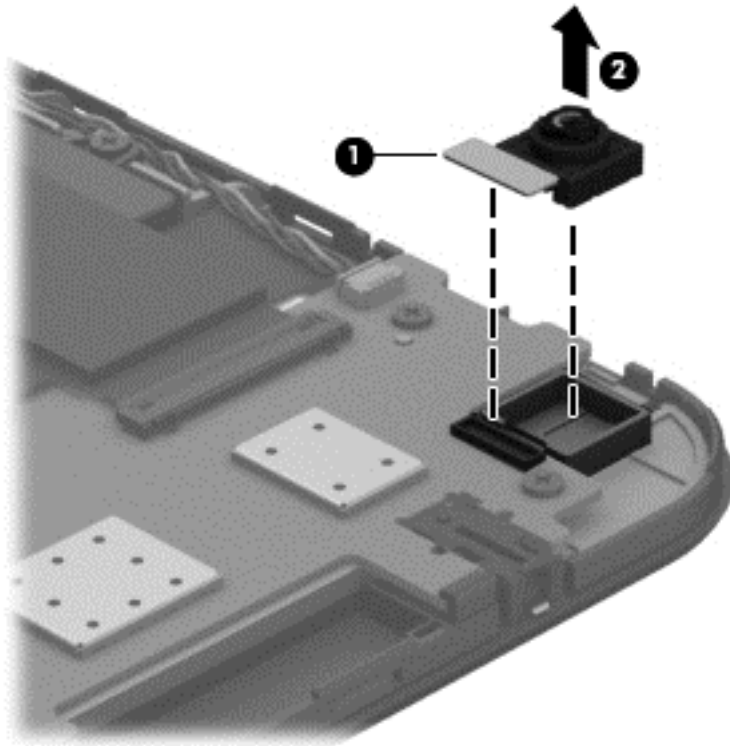
 **NOTE:** The front-facing webcam and cable are included in the Webcam Kit, spare part number 739008-001.

Before removing the front-facing webcam, follow these steps:

1. Turn off the tablet. If you are unsure whether the tablet is off or in Hibernation, turn the tablet on, and then shut it down through the operating system.
2. Disconnect the power from the tablet by unplugging the power cord from the tablet.
3. Disconnect all external devices from the tablet.
4. Remove the back cover (see [Back cover on page 12](#)).
5. Disconnect the battery cable from the system board (see [Battery on page 14](#)).

Remove the front-facing webcam:

1. Disconnect the front-facing webcam cable **(1)** from the system board.
2. Release the front-facing webcam **(2)** from the mold built into the display panel assembly.



3. Remove the front-facing webcam and cable.

Reverse this procedure to install the front-facing webcam.

6 Specifications

	Metric	U.S.
Dimensions		
Width	26.3 cm	10.4 in
Depth	17.3 cm	6.8 in
Height	1.09 cm	0.43 in
Weight (lowest weight configuration)	0.63 g	1.39 lb
Input power		
The tablet operates on DC power, which can be supplied by an AC or a DC power source. The AC power source must be rated at 100–240 V, 50–60 Hz.		
NOTE: The tablet can operate on DC power using an industry-standard micro-A or micro-B USB cable. The HP 5V 2A adapter included with your tablet is recommended for charging the tablet.		
Temperature		
Operating	5°C to 35°C	41°F to 95°F
Nonoperating	-20°C to 60°C	-4°F to 140°F
Relative humidity (non-condensing)		
Operating	10% to 90%	
Nonoperating	5% to 95%	
Maximum altitude (unpressurized)		
Operating	-15 m to 3,048 m	-50 ft to 10,000 ft
Nonoperating	-15 m to 12,192 m	-50 ft to 40,000 ft
NOTE: Applicable product safety standards specify thermal limits for plastic surfaces. The device operates well within this range of temperatures.		

7 Backing up and recovering your data



Updating apps, widgets, and the operating system

HP recommends that you update your apps, widgets, and the operating system on a regular basis to the latest versions. Updates can resolve issues and bring new features and options to your tablet. Technology is always changing, and updating apps, widgets, and the operating system allows your tablet to run the latest technology available. For example, older apps and widgets might not work well with the most recent operating system.

Go to the Google Play store to download the latest versions of HP and third-party apps and widgets. The operating system will download system updates automatically and notify you when it is ready to install these updates. If you want to update the operating system manually, go to <http://www.hp.com/support>.

Back up and reset

You can set preferences for backing up and restoring your data in case of loss.

1. Touch , and then touch .
2. Under **PERSONAL**, touch **Back up & reset**.
3. Under **BACKUP & RESTORE**, select one or more of the following:
 - **Back up my data**—Select the check box to enable backing up app data, Wi-Fi passwords, and other settings to Google servers.
 - **Backup account**—Select a Google account for backing up data.
 - **Automatic restore**—Select the check box to enable backed up settings and data to be restored when an app is reinstalled.

Factory data reset

To reset all settings and delete all data on the device:

1. Touch , and then touch .
2. Under **PERSONAL**, touch **Back up & reset**.
3. Under **PERSONAL DATA**, select **Factory data reset**, and then follow the on-screen instructions.

8 Power cord set requirements

The wide-range input feature of the tablet permits it to operate from any line voltage from 100 to 120 volts AC, or from 220 to 240 volts AC.

The 3-conductor power cord set included with the tablet meets the requirements for use in the country or region where the equipment is purchased.

Power cord sets for use in other countries and regions must meet the requirements of the country or region where the tablet is used.

Requirements for all countries

The following requirements are applicable to all countries and regions:

- The length of the power cord set must be at least 1.0 m (3.3 ft) and no more than 2.0 m (6.5 ft).
- All power cord sets must be approved by an acceptable accredited agency responsible for evaluation in the country or region where the power cord set will be used.
- The power cord sets must have a minimum current capacity of 10 amps and a nominal voltage rating of 125 or 250 V AC, as required by the power system of each country or region.
- The appliance coupler must meet the mechanical configuration of an EN 60 320/IEC 320 Standard Sheet C13 connector for mating with the appliance inlet on the back of the tablet.

Requirements for specific countries and regions

Country/region	Accredited agency	Applicable note number
Australia	EANSW	1
Austria	OVE	1
Belgium	CEBC	1
Canada	CSA	2
Denmark	DEMKO	1
Finland	FIMKO	1
France	UTE	1

Country/region	Accredited agency	Applicable note number
Germany	VDE	1
Italy	IMQ	1
Japan	METI	3
The Netherlands	KEMA	1
Norway	NEMKO	1
The People's Republic of China	COC	5
South Korea	EK	4
Sweden	CEMKO	1
Switzerland	SEV	1
Taiwan	BSMI	4
The United Kingdom	BSI	1
The United States	UL	2

1. The flexible cord must be Type HO5VV-F, 3-conductor, 1.0-mm² conductor size. Power cord set fittings (appliance coupler and wall plug) must bear the certification mark of the agency responsible for evaluation in the country or region where it will be used.
2. The flexible cord must be Type SPT-3 or equivalent, No. 18 AWG, 3-conductor. The wall plug must be a two-pole grounding type with a NEMA 5-15P (15 A, 125 V) or NEMA 6-15P (15 A, 250 V) configuration.
3. The appliance coupler, flexible cord, and wall plug must bear a "T" mark and registration number in accordance with the Japanese Dentori Law. The flexible cord must be Type VCT or VCTF, 3-conductor, 1.00-mm² conductor size. The wall plug must be a two-pole grounding type with a Japanese Industrial Standard C8303 (7 A, 125 V) configuration.
4. The flexible cord must be Type RVV, 3-conductor, 0.75-mm² conductor size. Power cord set fittings (appliance coupler and wall plug) must bear the certification mark of the agency responsible for evaluation in the country or region where it will be used.
5. The flexible cord must be Type VCTF, 3-conductor, 0.75-mm² conductor size. Power cord set fittings (appliance coupler and wall plug) must bear the certification mark of the agency responsible for evaluation in the country or region where it will be used.

9 Recycling

When a non-rechargeable or rechargeable battery has reached the end of its useful life, do not dispose of the battery in general household waste. Follow the local laws and regulations in your area for battery disposal.

HP encourages customers to recycle used electronic hardware, HP original print cartridges, and rechargeable batteries. For more information about recycling programs, see the HP Web site at <http://www.hp.com/recycle>.

Index

- A**
 - AC adapter, spare part number 6
 - audio, product description 1
 - audio-in jack 3
 - audio-out jack 3
- B**
 - back cover
 - removal 12
 - spare part number 5, 6, 12
 - battery
 - removal 14
 - spare part number 6, 14
 - buttons
 - power 3
 - volume control 3
- C**
 - Cable Kit, spare part number 5, 6
 - cables, service considerations 8
 - card reader slot 3
 - connectors, service considerations 8
- D**
 - display panel assembly, spare part number 6, 12
 - display panel, product description 1
- E**
 - electrostatic discharge 9
 - equipment guidelines 11
 - external expansion, product description 1
- F**
 - front-facing webcam
 - removal 23
 - spare part number 23
- G**
 - graphics, product description 1
 - grounding guidelines 9
 - guidelines
 - equipment 11
 - grounding 9
 - packaging 10
 - transporting 10
 - workstation 10
- H**
 - HDMI port 3
 - headphone jack 3
- I**
 - I/O board
 - removal 16
 - spare part number 6, 7, 16
- J**
 - jacks
 - audio-in 3
 - audio-out 3
 - headphone 3
 - microphone 3
- M**
 - mass storage device, product description 1
 - memory module, product description 1
 - microphone jack 3
 - microphone, product description 1
- model name** 1
- O**
 - operating system, product description 2
- P**
 - packaging guidelines 10
 - plastic parts, service considerations 8
 - Plastics Kit, spare part number 6, 7
 - ports
 - HDMI 3
 - product description 2
 - USB 2.0 3
 - power adapter, spare part number 6
 - power button 3
 - power button board
 - removal 17
 - spare part number 6, 7, 17
 - power cord, set requirements 27
 - power requirements, product description 2
 - processor, product description 1
 - product description
 - audio 1
 - display panel 1
 - external expansion 1
 - graphics 1
 - mass storage 1
 - memory module 1
 - microphone 1
 - operating system 2
 - ports 2
 - power requirements 2
 - processors 1
 - product name 1

- security 2
- sensors 1
- serviceability 2
- video 1
- wireless networking 1
- product name 1

R

- rear-facing webcam
 - removal 22
 - spare part number 22

S

- Screw Kit, spare part number 6, 7
- security, product description 2
- sensors, product description 1
- service considerations
 - cables 8
 - connectors 8
 - plastic parts 8
- serviceability, product description 2
- SIM slot 3
- Speaker Kit, spare part number 6, 7, 15
- speakers
 - location 3
 - removal 15
 - spare part number 6, 7, 15
- system board
 - removal 19
 - spare part number 5, 7, 19

T

- tablet
 - major components 5
 - spare part number 6, 7
 - specifications 24
- tools required 8
- transporting guidelines 10

U

- USB 2.0 port 3
- USB extension cable, spare part number 6, 7

V

- video, product description 1
- volume control buttons 3

W

- webcamera
 - location 3
 - removal 22, 23
 - spare part number 5, 7, 22, 23
- Webcamera Kit, spare part number 5, 7, 22, 23
- wireless networking, product description 1
- workstation guidelines 10

