



## HP Slate10 HD and HP Slate7 HD

Maintenance and Service Guide

**IMPORTANT!** This document is intended for  
HP authorized service providers only.

© Copyright 2013 Hewlett-Packard  
Development Company, L.P.

Bluetooth is a trademark owned by its proprietor and used by Hewlett-Packard Company under license. SD Logo is a trademark of its proprietor.

The information contained herein is subject to change without notice. The only warranties for HP products and services are set forth in the express warranty statements accompanying such products and services. Nothing herein should be construed as constituting an additional warranty. HP shall not be liable for technical or editorial errors or omissions contained herein.

First Edition: October 2013

Document Part Number: 741959-001

### **Product notice**

This guide describes features that are common to most models. Some features may not be available on your computer.

### **Software terms**

By installing, copying, downloading, or otherwise using any software product preinstalled on this tablet, you agree to be bound by the terms of the HP End User License Agreement (EULA). If you do not accept these license terms, your sole remedy is to return the entire unused product (hardware and software) within 14 days for a refund subject to the refund policy of your place of purchase.

For any further information or to request a full refund of the tablet, please contact your local point of sale (the seller).

## Safety warning notice

---

**⚠ WARNING!** To reduce the possibility of heat-related injuries or of overheating the device, do not place the device directly on your lap or obstruct the device air vents. Use the device only on a hard, flat surface. Do not allow another hard surface, such as an adjoining optional printer, or a soft surface, such as pillows or rugs or clothing, to block airflow. Also, do not allow the AC adapter to contact the skin or a soft surface, such as pillows or rugs or clothing, during operation. The device and the AC adapter comply with the user-accessible surface temperature limits defined by the International Standard for Safety of Information Technology Equipment (IEC 60950).

---



---

# Table of contents

<b>1 Product description</b>	<b>1</b>
<b>2 External component identification</b>	<b>4</b>
HP Slate10 HD	4
HP Slate7 HD	5
<b>3 Illustrated parts catalog</b>	<b>6</b>
Locating the serial number, product number, and model number	6
HP Slate10 HD tablet major components	7
HP Slate7 HD tablet major components	9
Miscellaneous parts	10
Sequential part number listing	11
<b>4 Removal and replacement preliminary requirements</b>	<b>14</b>
Tools required	14
Service considerations	14
Plastic parts	14
Cables and connectors	14
Grounding guidelines	15
Electrostatic discharge damage	15
Packaging and transporting guidelines	16
Workstation guidelines	16
<b>5 Removal and replacement procedures</b>	<b>18</b>
Tablet component replacement procedures	18
HP Slate10 HD	18
Back cover	18
Sensor module	19
Battery	20
Power button board	22
Volume button board	23

Microphone .....	24
Rear-facing webcam .....	26
Audio board .....	27
Card reader board .....	28
Speakers .....	29
USB board .....	30
System board .....	32
Front-facing webcam .....	35
HP Slate7 HD .....	37
Back cover .....	37
Battery .....	38
Rear-facing webcam .....	39
Speakers .....	40
USB board .....	42
System board .....	43
Antenna modules .....	46
Power button/microphone module .....	47
Front-facing webcam .....	49
<b>6 Specifications .....</b>	<b>51</b>
HP Slate10 HD .....	51
HP Slate7 HD .....	52
<b>7 Power cord set requirements .....</b>	<b>53</b>
Requirements for all countries .....	53
Requirements for specific countries and regions .....	53
<b>8 Recycling .....</b>	<b>55</b>
<b>Index .....</b>	<b>56</b>

# 1 Product description

Category	Description	HP Slate10 HD	HP Slate7 HD
<b>Product Name</b>	HP Slate10 HD	x	
	HP Slate7 HD		x
<b>Processor</b>	Marvel® PXA986 1.20-GHz dual core soldered on-chip (SOC) processor	x	x
<b>Panel</b>	10.0-in, (1280×800), a-Si, TFT, TouchScreen display panel with liquid crystal display (LCD), 24-bit color depth, 16:10 Ultra Wide Aspect Ratio; WXGA: ≥ 75/75/75/75 viewing angle, single-link low-voltage differential signalling (LVDS) interface, traditional capacitive multi-touch (>5 fingers)	x	
	7.0-in, (1280×800), a-Si, TFT, TouchScreen display panel with liquid crystal display (LCD), 24-bit color depth, 16:10 Ultra Wide Aspect Ratio; WXGA: ≥ 75/75/75/75 viewing angle, single-link low-voltage differential signalling (LVDS) interface, traditional capacitive multi-touch (>5 fingers)		x

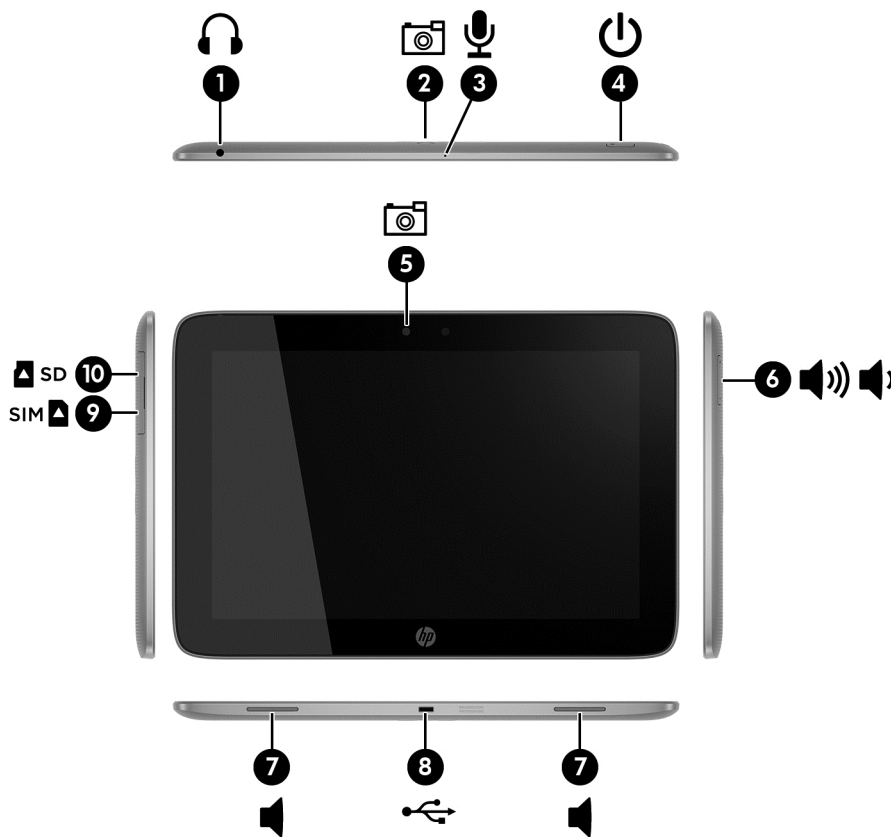
Category	Description	HP Slate10 HD	HP Slate7 HD
<b>Graphics</b>	<p>3D and 2d GPU</p> <p>2D hardware acceleration include DirectFB and alpha blending</p> <p>Supports OpenGL ES 2.0/1.1 and OpenVG 1.1</p> <p>Supports the following video decode formats:</p> <ul style="list-style-type: none"> <li>• 1080p/30fps</li> <li>• 720p/60fps</li> <li>• H.263</li> <li>• H.264</li> <li>• MPEG-4</li> <li>• MPEG 2</li> <li>• DivX</li> <li>• WMV</li> </ul> <p>Supports the following video encode formats:</p> <ul style="list-style-type: none"> <li>• 1080p/24fps</li> <li>• 720p/30fps</li> <li>• H.263</li> <li>• H.264 BP</li> <li>• MPEG-4</li> </ul>	x	x
<b>Memory</b>	Supports 1-GB DDR3 up to 1600-MHz	x	x
<b>Mass storage</b>	Supports a 16.0-GB embedded MultiMedia Card (eMMC) solid-state drive v. 4..4.1	x	x
<b>Audio and video</b>	<p>Integrated stereo speakers (2), 1.0-W per channel</p> <p>One digital microphone</p> <p>Support Beats Audio</p> <p>5.0-MP, 1080p, autofocus rear-facing webcamera</p> <p>2.0-MP, 720p front-facing webcamera</p>	x	x
<b>Sensors</b>	<p>Accelerometer</p> <p>Ambient light sensor</p> <p>e-Compass</p> <p>Gyro position</p> <p>Proximity</p>	x	x



Category	Description	HP Slate10 HD	HP Slate7 HD
<b>Wireless networking</b>	<b>Integrated WiFi option:</b> WiFi 802.11abgn; Bluetooth and WiFi antenna support both 2.4G and 5G bands	x	x
	<b>Integrated GPS option:</b> Supports both A-GPS and standalone GPS		
	<b>Integrated Bluetooth option:</b> Bluetooth 3.0+HS Class 2 (10m+ range)		
	<b>Integrated WiDi option:</b> <ul style="list-style-type: none"> <li>• GSM–850/900/1800/1900</li> <li>• WCDMA–850/900/1700/1900/2100</li> </ul>		
<b>External expansion</b>	Integrated micro SD Card Reader expandable to 32-GB	x	x
<b>Ports</b>	Audio: 3.5-mm headphone/microphone combo jack (supports North American-type headset only)	x	x
	Micro USB 2.0 type AB connector (supports OTG and charging)		
<b>Power requirements</b>	<b>Battery:</b> supports a 3.7-V, 7000-mAh, 25.9-WHr, Li-ion battery (non-removable), USB charging battery	x	
	<b>AC adapter:</b> supports a 10-W AC adapter with DC plug and localized cable plug support		
	<b>Battery:</b> supports a 3.7-V, 4000-mAh, 14.8-WHr, Li-ion battery (non-removable), USB charging battery		x
	<b>AC adapter:</b> supports a 10-W AC adapter with DC plug and localized cable plug support		
<b>Security</b>	Software-based trusted platform module (TPM) solution	x	x
<b>Operating system</b>	<b>Preinstalled:</b> Android 4.2	x	x
<b>Serviceability</b>	<b>End user replaceable part:</b> AC adapter	x	x

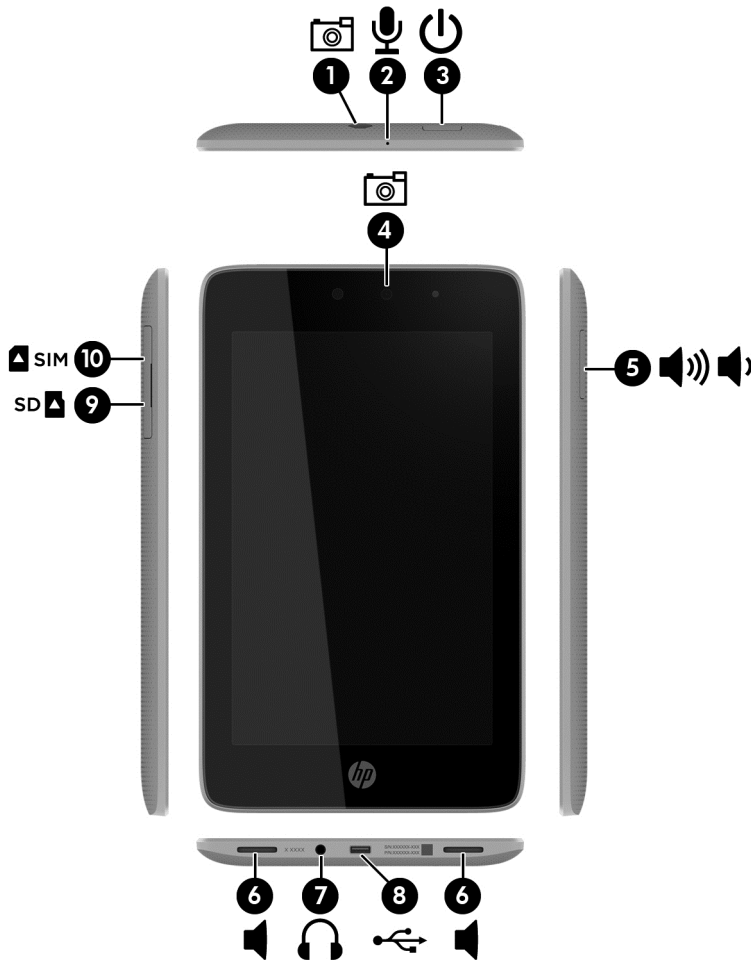
## 2 External component identification

### HP Slate10 HD



Item	Component	Item	Component
(1)	Audio-out (headphone)/Audio-in (microphone) jack	(6)	Volume control buttons (2)
(2)	Rear-facing webcam	(7)	Speakers (2)
(3)	Microphone	(8)	Micro USB 2.0 port
(4)	Power button	(9)	Micro SIM slot
(5)	Front-facing webcam	(10)	Micro SD Card Reader slot

# HP Slate7 HD



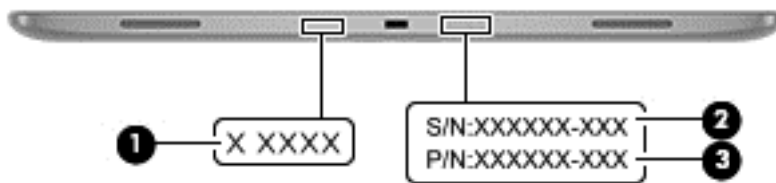
Item	Component	Item	Component
(1)	Rear-facing webcam	(6)	Speakers (2)
(2)	Microphone	(7)	Audio-out (headphone)/Audio-in (microphone) jack
(3)	Power button	(8)	Micro USB 2.0 port
(4)	Front-facing webcam	(9)	Micro SD Card Reader slot
(5)	Volume control buttons (2)	(10)	Micro SIM slot

---

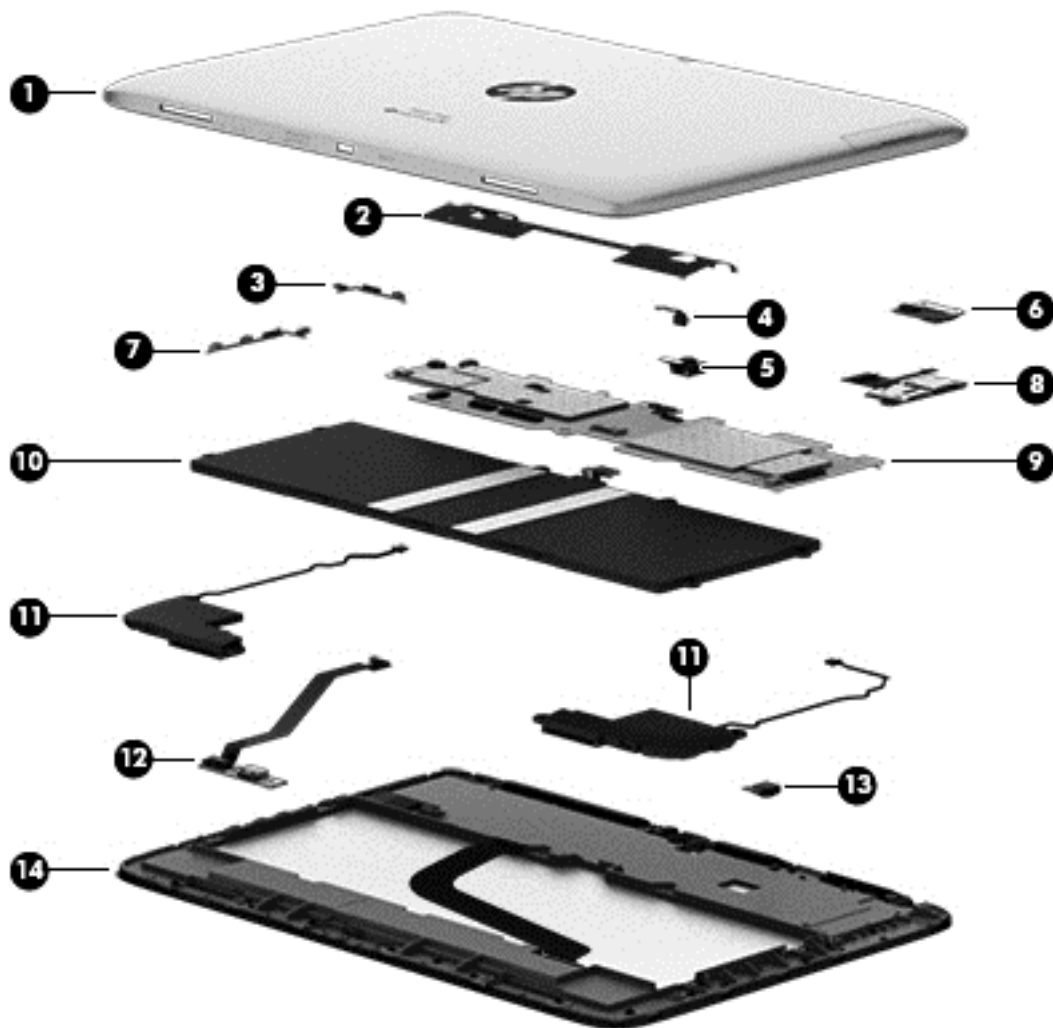
## 3 Illustrated parts catalog

### Locating the serial number, product number, and model number

The serial number and product number of your tablet are located on the bottom edge of the tablet. You may need this information when you travel internationally or when you contact support.



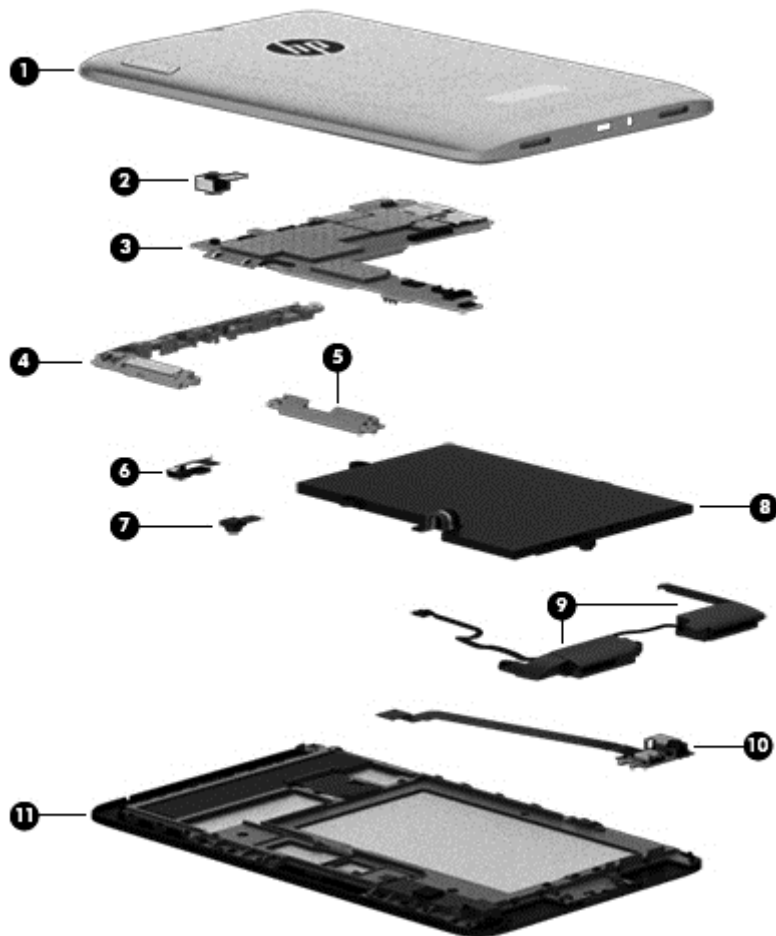
# HP Slate10 HD tablet major components



Item	Component	Spare part number
(1)	<b>Back cover</b> (includes media card slot, power button actuator, SIM slot cover, speaker grilles, volume button actuator, and webcam lens)	
	For use only on tablet models equipped with WWAN capability in bright red finish (includes WWAN antenna cable and transceivers)	748791-001
	For use only on tablet models equipped with WWAN capability in silver slate finish (includes WWAN antenna cable and transceivers)	748790-001
	For use only on tablet models equipped with WiFi capability in bright red finish (includes WiFi antenna cable and transceivers)	744532-001
	For use only on tablet models equipped with WiFi capability in silver slate finish (includes WiFi antenna cable and transceivers)	743082-001
(2)	<b>Sensor module</b> (includes double-sided adhesive)	744539-001
(3)	<b>Power button board</b> (includes cable, double-sided adhesive, and rubber pad)	744538-001

<b>Item</b>	<b>Component</b>	<b>Spare part number</b>
<b>(4)</b>	<b>Microphone</b> (includes cable and double-sided adhesive)	744533-001
<b>(5)</b>	<b>Rear-facing webcamera</b> (includes cable and double-sided adhesive)	744545-001
<b>(6)</b>	<b>Audio board</b> (includes audio jack and bracket)	744537-001
<b>(7)</b>	<b>Volume button board</b> (includes cable, double-sided adhesive, and rubber pad)	744541-001
<b>(8)</b>	<b>Card reader board</b> (includes cable, micro SIM slot, and micro SD Card Reader slot)	744540-001
<b>(9)</b>	<b>System board</b> equipped with a Marvel PXA986 1.20-GHz dual core (SOC) processor, 1.0-GB system memory, and a 16-GB eMMC solid-state drive:	
	Equipped with WWAN capability	744058-001
	Equipped with WiFi capability	744057-001
<b>(10)</b>	<b>Battery</b> , 3.7-V, 7000-mAh, 25.9-WHr, Li-ion (includes cable)	743896-001
<b>(11)</b>	<b>Speakers</b> (includes left and right speakers and cables)	744543-001
<b>(12)</b>	<b>USB board</b> (includes bracket, cable, micro USB port, and rubber pad)	744536-001
<b>(13)</b>	<b>Front-facing webcamera</b> (includes cable)	744544-001
<b>(14)</b>	<b>Display panel assembly</b> , 10.0-in, LCD, TFT, TouchScreen (includes display panel cable)	743084-001

# HP Slate7 HD tablet major components



Item	Component	Spare part number
(1)	<b>Back cover</b> (includes card reader slot, SIM slot cover, grounding pads and tape, power button actuator, shielding, volume button actuator, webcam lens, and wireless antenna)	
	In bright red finish (includes WiFi antenna cable and transceivers)	744579-001
	In silver slate finish (includes WiFi antenna cable and transceivers)	743041-001
(2)	<b>Rear-facing webcam</b> (includes cable and double-sided adhesive)	743051-001
(3)	<b>System board</b> equipped with a Marvel PXA986 1.20-GHz dual core (SOC) processor, 1.0-GB system memory, a 16-GB eMMC solid-state drive, and WiFi capability	743049-001
(4)	<b>3G antenna module</b> (includes double-sided adhesive)	747947-001
(5)	<b>WiFi antenna module</b> (includes double-sided adhesive)	743045-001
(6)	<b>Power button/microphone module</b> (includes cable, double-sided adhesive, and rubber pad)	744580-001
(7)	<b>Front-facing webcam</b> (includes cable)	743050-001

Item	Component	Spare part number
(8)	<b>Battery</b> , 3.7-V, 4000-mAh, 14.8-WHr, Li-ion battery (includes cable)	743895-001
(9)	<b>Speakers</b> (includes left and right speakers and cables)	743048-001
(10)	<b>USB board</b> (includes bracket, cable, double-sided adhesive, and micro USB port)	743044-001
(11)	<b>Display panel assembly</b> , 7.0-in, LCD, TFT, TouchScreen (includes display panel cable)	743046-001

## Miscellaneous parts

Component	Spare part number
<b>AC adapter:</b>	
For use in Brazil	744423-012
For use in Europe and South Korea	744423-009
For use in MERCOSUR	744423-001
For use in North America	744423-008
For use in the United Kingdom and Singapore	744423-003
<b>HP Slate10 HD tablet:</b>	
Equipped with a Marvel PXA986 1.20-GHz dual core (SOC) processor, a 10.0-in, LCD, TFT, TouchScreen display, 1.0-GB system memory, a 16-GB eMMC solid-state drive, WiFi, and WWAN capability in bright red finish	744535-001
Equipped with a Marvel PXA986 1.20-GHz dual core (SOC) processor, a 10.0-in, LCD, TFT, TouchScreen display, 1.0-GB system memory, a 16-GB eMMC solid-state drive, WiFi, and WWAN capability in slate silver finish	744056-001
Equipped with a Marvel PXA986 1.20-GHz dual core (SOC) processor, a 10.0-in, LCD, TFT, TouchScreen display, 1.0-GB system memory, a 16-GB eMMC solid-state drive, and WiFi in bright red finish	744534-001
Equipped with a Marvel PXA986 1.20-GHz dual core (SOC) processor, a 10.0-in, LCD, TFT, TouchScreen display, 1.0-GB system memory, a 16-GB eMMC solid-state drive, and WiFi in slate silver finish	743083-001
<b>HP Slate7 HD tablet:</b>	
Equipped with a Marvel PXA986 1.20-GHz dual core (SOC) processor, a 7.0-in, LCD, TFT, TouchScreen display, 1.0-GB system memory, a 16-GB eMMC solid-state drive, and WiFi in bright red finish	744581-001
Equipped with a Marvel PXA986 1.20-GHz dual core (SOC) processor, a 7.0-in, LCD, TFT, TouchScreen display, 1.0-GB system memory, a 16-GB eMMC solid-state drive, and WiFi in slate silver finish	743043-001
<b>Screw Kit:</b>	
For use only on HP Slate10 HD tablet models	744542-001



Component	Spare part number
For use only on HP Slate7 HD tablet models	743047-001
<b>USB extension cable</b>	751600-001

## Sequential part number listing

Spare part number	Description
743041-001	Back cover in silver slate finish for use only on HP Slate7 HD tablet models (includes card reader slot, SIM slot cover, grounding pads and tape, power button actuator, shielding, volume button actuator, webcam lens, and wireless antenna)
743043-001	HP Slate7 HD tablet equipped with a Marvel PXA986 1.20-GHz dual core (SOC) processor, a 7.0-in, LCD, TFT, TouchScreen display, 1.0-GB system memory, a 16-GB eMMC solid-state drive, and WiFi in silver slate finish
743044-001	USB board for use only on HP Slate7 HD tablet models (includes bracket, cable, double-sided adhesive, and micro USB port)
743045-001	WiFi antenna module for use only on HP Slate7 HD tablet models (includes double-sided adhesive)
743046-001	7.0-in, LCD, TFT, TouchScreen display panel assembly for use only on HP Slate7 HD tablet models (includes display panel cable)
743047-001	Screw Kit for use only on HP Slate7 HD tablet models
743048-001	Speaker Kit for use only on HP Slate7 HD tablet models
743049-001	System board equipped with a Marvel PXA986 1.20-GHz dual core (SOC) processor, 1.0-GB system memory, a 16-GB eMMC solid-state drive, and WiFi for use only on HP Slate7 HD tablet models
743050-001	Front-facing webcam for use only on HP Slate7 HD tablet models (includes cable)
743051-001	Rear-facing webcam for use only on HP Slate7 HD tablet models (includes cable and double-sided adhesive)
743082-001	Back cover in silver slate finish for use only on HP Slate10 HD tablet models equipped with WiFi (includes media card slot, power button actuator, SIM slot cover, speaker grilles, volume button actuator, and webcam lens)
743083-001	HP Slate10 HD tablet equipped with a Marvel PXA986 1.20-GHz dual core (SOC) processor, a 10.0-in, LCD, TFT, TouchScreen display, 1.0-GB system memory, a 16-GB eMMC solid-state drive, and WiFi in silver slate finish
743084-001	10.0-in, LCD, TFT, TouchScreen display panel assembly for use only on HP Slate10 HD tablet models (includes display panel cable)
743895-001	Battery, 3.7-V, 4000-mAh, 14.8-WHr, Li-ion for use only on HP Slate7 HD tablet models (includes cable)
743896-001	Battery, 3.7-V, 7000-mAh, 25.9-WHr, Li-ion for use only on HP Slate10 HD tablet models (includes cable)
744056-001	HP Slate10 HD tablet equipped with a Marvel PXA986 1.20-GHz dual core (SOC) processor, a 10.0-in, LCD, TFT, TouchScreen display, 1.0-GB system memory, a 16-GB eMMC solid-state drive, WiFi, and WWAN capability in silver slate finish

<b>Spare part number</b>	<b>Description</b>
744057-001	System board equipped with a Marvel PXA986 1.20-GHz dual core (SOC) processor, 1.0-GB system memory, a 16-GB eMMC solid-state drive, and WiFi for use only on HP Slate10 HD tablet models
744058-001	System board equipped with a Marvel PXA986 1.20-GHz dual core (SOC) processor, 1.0-GB system memory, a 16-GB eMMC solid-state drive, WiFi, and WWAN capability for use only on HP Slate10 HD tablet models
744423-001	10-W USB duck-head AC adapter for use in MERCO
744423-003	10-W USB duck-head AC adapter for use in the United Kingdom and Singapore
744423-008	10-W USB duck-head AC adapter for use in North America
744423-009	10-W USB duck-head AC adapter for use in Europe and South Korea
744423-012	10-W USB duck-head AC adapter for use in Brazil
744532-001	Back cover in bright red finish for use only on HP Slate10 HD tablet models equipped with WiFi (includes media card slot, power button actuator, SIM slot cover, speaker grilles, volume button actuator, and webcam lens)
744533-001	Microphone for use only on HP Slate10 HD tablet models (includes cable and double-sided adhesive)
744534-001	HP Slate10 HD tablet equipped with a Marvel PXA986 1.20-GHz dual core (SOC) processor, a 10.0-in, LCD, TFT, TouchScreen display, 1.0-GB system memory, a 16-GB eMMC solid-state drive, and WiFi in bright red finish
744535-001	HP Slate10 HD tablet equipped with a Marvel PXA986 1.20-GHz dual core (SOC) processor, a 10.0-in, LCD, TFT, TouchScreen display, 1.0-GB system memory, a 16-GB eMMC solid-state drive, WiFi, and WWAN capability in bright red finish
744536-001	USB board for use only on HP Slate10 HD tablet models (includes bracket, cable, micro USB port, and rubber pad)
744537-001	Audio board for use only on HP Slate10 HD tablet models (includes audio jack and bracket)
744538-001	Power button board for use only on HP Slate10 HD tablet models (includes cable, double-sided adhesive, and rubber pad)
744539-001	Sensor module for use only on HP Slate10 HD tablet models (includes double-sided adhesive)
744540-001	Card reader board for use only on HP Slate10 HD tablet models (includes cable, micro SIM slot, and micro SD Card Reader slot)
744541-001	Volume button board for use only on HP Slate10 HD tablet models (includes cable, double-sided adhesive, and rubber pad)
744542-001	Screw Kit for use only on HP Slate10 HD tablet models
744543-001	Speaker Kit for use only on HP Slate10 HD tablet models (includes left and right speakers and cables)
744544-001	Front-facing webcam for use only on HP Slate10 HD tablet models (includes cable and double-sided adhesive)
744545-001	Rear-facing webcam for use only on HP Slate10 HD tablet models (includes cable)
744579-001	Back cover in bright red finish for use only on HP Slate7 HD tablet models (includes card reader slot, SIM slot cover, grounding pads and tape, power button actuator, shielding, volume button actuator, webcam lens, and wireless antenna)

<b>Spare part number</b>	<b>Description</b>
744580-001	Power button/microphone module for use only on HP Slate7 HD tablet models (includes cable, double-sided adhesive, and rubber pad)
744581-001	HP Slate7 HD tablet equipped with a Marvel PXA986 1.20-GHz dual core (SOC) processor, a 7.0-in, LCD, TFT, TouchScreen display, 1.0-GB system memory, a 16-GB eMMC solid-state drive, and WiFi in bright red finish
747947-001	3G antenna module for use only on HP Slate7 HD tablet models (includes double-sided adhesive)
748790-001	Back cover in silver slate finish for use only on HP Slate10 HD tablet models equipped with WWAN capability (includes media card slot, power button actuator, SIM slot cover, speaker grilles, volume button actuator, and webcam lens)
748791-001	Back cover in bright red finish for use only on HP Slate10 HD tablet models equipped with WWAN capability (includes media card slot, power button actuator, SIM slot cover, speaker grilles, volume button actuator, and webcam lens)
751600-001	USB extension cable

---

# 4 Removal and replacement preliminary requirements

## Tools required


You will need the following tools to complete the removal and replacement procedures:

- Magnetic screw driver
- Phillips PO screw driver
- Plastic case utility tool

## Service considerations

The following sections include some of the considerations that you must keep in mind during disassembly and assembly procedures.


---

 **NOTE:** As you remove each subassembly from the tablet, place the subassembly (and all accompanying screws) away from the work area to prevent damage.

---

## Plastic parts


---

 **CAUTION:** Using excessive force during disassembly and reassembly can damage plastic parts. Use care when handling the plastic parts. Apply pressure only at the points designated in the maintenance instructions.

---

## Cables and connectors

---

 **CAUTION:** When servicing the tablet, be sure that cables are placed in their proper locations during the reassembly process. Improper cable placement can damage the tablet.

---

Cables must be handled with extreme care to avoid damage. Apply only the tension required to unseat or seat the cables during removal and insertion. Handle cables by the connector whenever possible. In all cases, avoid bending, twisting, or tearing cables. Be sure that cables are routed in such a way that they cannot be caught or snagged by parts being removed or replaced. Handle flex cables with extreme care; these cables tear easily.

# Grounding guidelines

## Electrostatic discharge damage

Electronic components are sensitive to electrostatic discharge (ESD). Circuitry design and structure determine the degree of sensitivity. Networks built into many integrated circuits provide some protection, but in many cases, ESD contains enough power to alter device parameters or melt silicon junctions.

A discharge of static electricity from a finger or other conductor can destroy static-sensitive devices or microcircuitry. Even if the spark is neither felt nor heard, damage may have occurred.

An electronic device exposed to ESD may not be affected at all and can work perfectly throughout a normal cycle. Or the device may function normally for a while, then degrade in the internal layers, reducing its life expectancy.

**⚠ CAUTION:** To prevent damage to the tablet when you are removing or installing internal components, observe these precautions:

Keep components in their electrostatic-safe containers until you are ready to install them.

Before touching an electronic component, discharge static electricity by using the guidelines described in this section.

Avoid touching pins, leads, and circuitry. Handle electronic components as little as possible.

If you remove a component, place it in an electrostatic-safe container.

The following table shows how humidity affects the electrostatic voltage levels generated by different activities.

**⚠ CAUTION:** A product can be degraded by as little as 700 V.

Typical electrostatic voltage levels			
Event	Relative humidity		
	10%	40%	55%
Walking across carpet	35,000 V	15,000 V	7,500 V
Walking across vinyl floor	12,000 V	5,000 V	3,000 V
Motions of bench worker	6,000 V	800 V	400 V
Removing DIPS from plastic tube	2,000 V	700 V	400 V
Removing DIPS from vinyl tray	11,500 V	4,000 V	2,000 V
Removing DIPS from Styrofoam	14,500 V	5,000 V	3,500 V
Removing bubble pack from PCB	26,500 V	20,000 V	7,000 V
Packing PCBs in foam-lined box	21,000 V	11,000 V	5,000 V

## Packaging and transporting guidelines

Follow these grounding guidelines when packaging and transporting equipment:

- To avoid hand contact, transport products in static-safe tubes, bags, or boxes.
- Protect ESD-sensitive parts and assemblies with conductive or approved containers or packaging.
- Keep ESD-sensitive parts in their containers until the parts arrive at static-free workstations.
- Place items on a grounded surface before removing items from their containers.
- Always be properly grounded when touching a component or assembly.
- Store reusable ESD-sensitive parts from assemblies in protective packaging or nonconductive foam.
- Use transporters and conveyors made of antistatic belts and roller bushings. Be sure that mechanized equipment used for moving materials is wired to ground and that proper materials are selected to avoid static charging. When grounding is not possible, use an ionizer to dissipate electric charges.

## Workstation guidelines

Follow these grounding workstation guidelines:

- Cover the workstation with approved static-shielding material.
- Use a wrist strap connected to a properly grounded work surface and use properly grounded tools and equipment.
- Use conductive field service tools, such as cutters, screw drivers, and vacuums.
- When fixtures must directly contact dissipative surfaces, use fixtures made only of static-safe materials.
- Keep the work area free of nonconductive materials, such as ordinary plastic assembly aids and Styrofoam.
- Handle ESD-sensitive components, parts, and assemblies by the case or PCM laminate. Handle these items only at static-free workstations.
- Avoid contact with pins, leads, or circuitry.
- Turn off power and input signals before inserting or removing connectors or test equipment.

## Equipment guidelines

Grounding equipment must include either a wrist strap or a foot strap at a grounded workstation.

- When seated, wear a wrist strap connected to a grounded system. Wrist straps are flexible straps with a minimum of one megohm  $\pm 10\%$  resistance in the ground cords. To provide proper ground, wear a strap snugly against the skin at all times. On grounded mats with banana-plug connectors, use alligator clips to connect a wrist strap.
- When standing, use foot straps and a grounded floor mat. Foot straps (heel, toe, or boot straps) can be used at standing workstations and are compatible with most types of shoes or boots. On conductive floors or dissipative floor mats, use foot straps on both feet with a minimum of one megohm resistance between the operator and ground. To be effective, the conductive must be worn in contact with the skin.

The following grounding equipment is recommended to prevent electrostatic damage:

- Antistatic tape
- Antistatic smocks, aprons, and sleeve protectors
- Conductive bins and other assembly or soldering aids
- Nonconductive foam
- Conductive tabletop workstations with ground cords of one megohm resistance
- Static-dissipative tables or floor mats with hard ties to the ground
- Field service kits
- Static awareness labels
- Material-handling packages
- Nonconductive plastic bags, tubes, or boxes
- Metal tote boxes
- Electrostatic voltage levels and protective materials

The following table lists the shielding protection provided by antistatic bags and floor mats.

<b>Material</b>	<b>Use</b>	<b>Voltage protection level</b>
Antistatic plastics	Bags	1,500 V
Carbon-loaded plastic	Floor mats	7,500 V
Metallized laminate	Floor mats	5,000 V

# 5 Removal and replacement procedures

## Tablet component replacement procedures

**⚠ CAUTION:** Tablet components described in this chapter should only be accessed by an authorized service provider. Accessing these parts can damage the tablet and void the warranty.

This chapter provides removal and replacement procedures for authorized service provider only parts.

### HP Slate10 HD

There are as many as 22 screws that must be removed, replaced, and/or loosened when servicing the HP Slate10 HD tablet. Make special note of each screw size and location during removal and replacement.

#### Back cover

Description	Spare part number
Back cover (includes media card slot, power button actuator, SIM slot cover, speaker grilles, volume button actuator, and webcam lens)	
For use only on tablet models equipped with WWAN capability in bright red finish (includes WWAN antenna cable and transceivers)	748791-001
For use only on tablet models equipped with WWAN capability in silver slate finish (includes WWAN antenna cable and transceivers)	748790-001
<b>Display panel assembly</b> , 10.0-in, LCD, TFT, TouchScreen (includes display panel cable)	743084-001

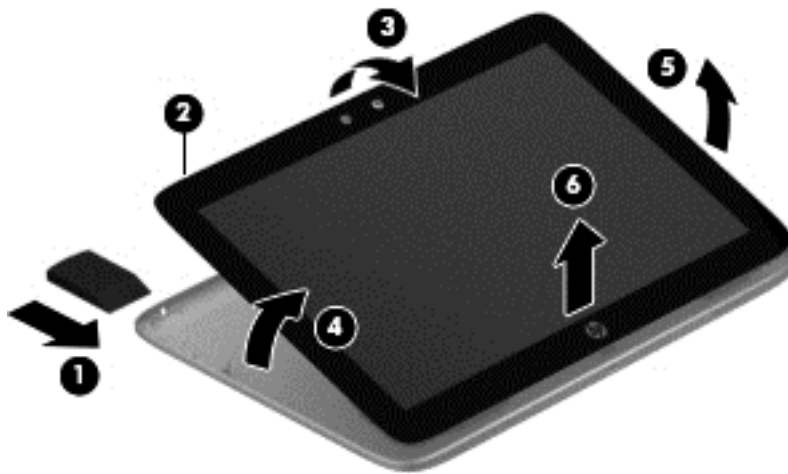
Before disassembling the HP Slate10 HD, follow these steps:

1. Turn off the tablet. If you are unsure whether the tablet is off or in Hibernation, turn the tablet on, and then shut it down through the operating system.
2. Disconnect the power from the tablet by unplugging the power cord from the tablet.
3. Disconnect all external devices from the tablet.



Remove the back cover:

1. Place the tablet on a flat surface, display panel side up, with the speakers and the micro USB port toward you.
2. Insert a case utility tool **(1)** or similar thin, plastic tool between the back cover and the display panel assembly. The first insertion point should be in the top edge of the tablet near the audio jack **(2)**.
3. Lift the top edge of the back cover **(3)** until it separates from the display panel assembly.
4. Lift the left **(4)** and the right sides **(5)** of the back cover until they detach from the display panel assembly.
5. Remove the back cover **(6)**.



Reverse this procedure to install the back cover.

## Sensor module

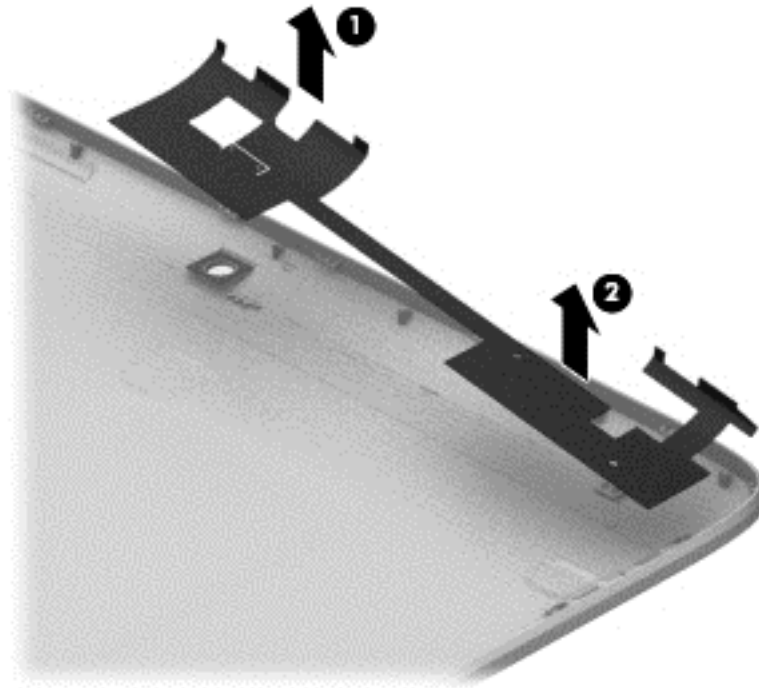
Description	Spare part number
Sensor module	744539-001

Before removing the sensor module, follow these steps:

1. Turn off the tablet. If you are unsure whether the tablet is off or in Hibernation, turn the tablet on, and then shut it down through the operating system.
2. Disconnect the power from the tablet by unplugging the power cord from the tablet.
3. Disconnect all external devices from the tablet.
4. Remove the back cover (see [Back cover on page 18](#)).

Remove the sensor module:

1. Turn the back cover upside down with the bottom edge toward you.
2. Detach the sensor module **(1)** from the back cover. (The sensor module is attached to the back cover with double-sided adhesive.)
3. Remove the sensor module **(2)**.



Reverse this procedure to install the sensor module.

## Battery

Description	Spare part number
Battery, 3.7-V, 7000-mAh, 25.9-WHr, LI (includes cable)	743896-001

Before removing the battery, follow these steps:

1. Turn off the tablet. If you are unsure whether the tablet is off or in Hibernation, turn the tablet on, and then shut it down through the operating system.
2. Disconnect the power from the tablet by unplugging the power cord from the tablet.
3. Disconnect all external devices from the tablet.
4. Remove the back cover (see [Back cover on page 18](#)).

**⚠ WARNING!** To reduce potential safety issues, use only the battery provided with the tablet, a replacement battery provided by HP, or a compatible battery purchased from HP.

**⚠ CAUTION:** Removing a battery that is the sole power source for the tablet can cause loss of information. To prevent loss of information, save your work or shut down the tablet through Windows before removing the battery.

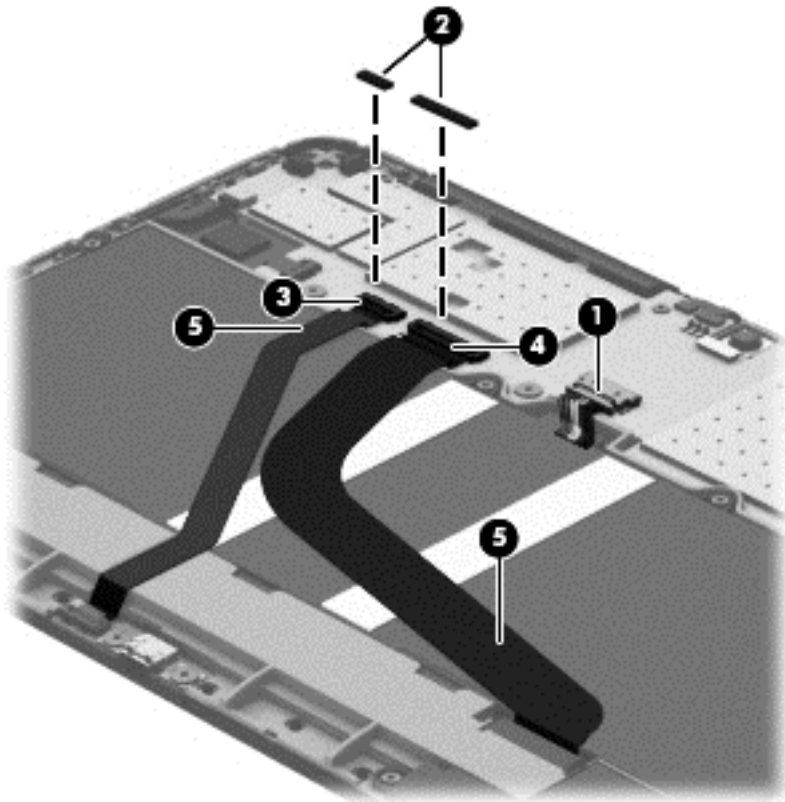
---

Remove the battery:

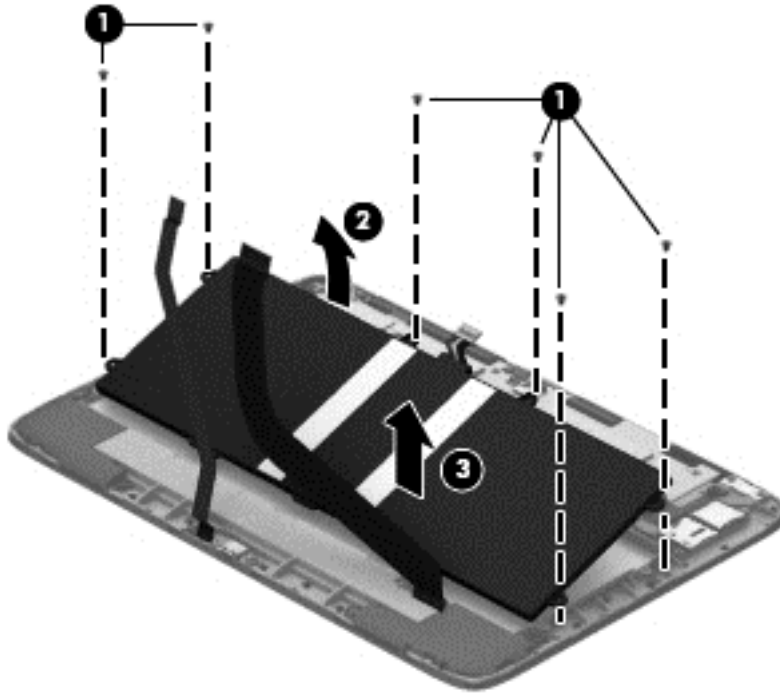
**⚠ CAUTION:** Before turning the display panel assembly upside down, make sure the work surface is clear of tools, screws, and any other foreign objects. Failure to follow this caution can result in damage to the display panel assembly.

---

1. Place the tablet on a flat surface, display panel side down, with the speakers and the micro USB port toward you.
2. Disconnect the battery cable **(1)** from the system board.
3. Remove the rubber pads **(2)** that protect the mini-USB board zero insertion force (ZIF) connector and the display panel cable ZIF connector.
4. Release the ZIF connector **(3)** to which the mini-USB board cable is attached, and then disconnect the mini-USB board cable from the system board.
5. Release the ZIF connector **(4)** to which the display panel cable is attached, and then disconnect the display panel cable from the system board.
6. Detach the mini-USB board cable **(5)** and the display panel cable from the battery. (The mini-USB board cable and the display panel cable are attached to the battery with double-sided adhesive.)



7. Remove the six Phillips PM2.0×2.75 screws **(1)** that secure the battery to the display panel assembly.
8. Lift the top edge of the battery **(2)** and swing it up and back to release it.
9. Remove the battery **(3)**.



Reverse this procedure to install the battery.

## Power button board

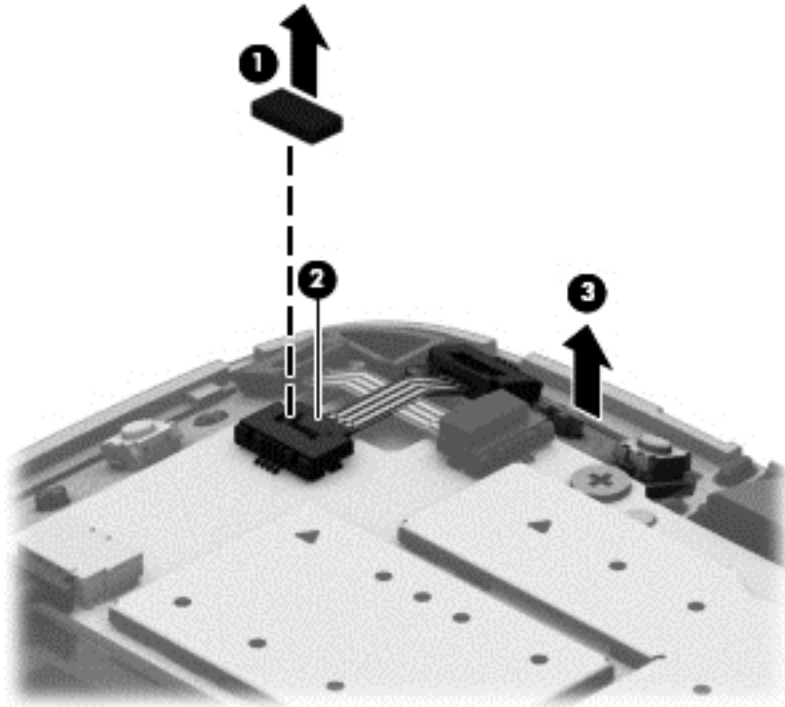
Description	Spare part number
Power button board (includes cable, double-sided adhesive, and rubber pad)	744538-001

Before removing the power button board, follow these steps:

1. Turn off the tablet. If you are unsure whether the tablet is off or in Hibernation, turn the tablet on, and then shut it down through the operating system.
2. Disconnect the power from the tablet by unplugging the power cord from the tablet.
3. Disconnect all external devices from the tablet.
4. Remove the back cover (see [Back cover on page 18](#)).
5. Disconnect the battery cable from the system board (see [Battery on page 20](#)).

Remove the power button board:

1. Remove the rubber pad **(1)** that protects the power button board cable ZIF connector.
2. Release the ZIF connector **(2)** to which the power button board cable is attached, and then disconnect the power button board cable from the system board.
3. Detach the power button board **(3)** from the display panel assembly. (The power button board is attached to the display panel assembly with double-sided adhesive.)



4. Remove the power button board and cable.

Reverse this procedure to install the power button board and cable.

## Volume button board

Description	Spare part number
Volume button board (includes cable, double-sided adhesive, and rubber pad)	744541-001

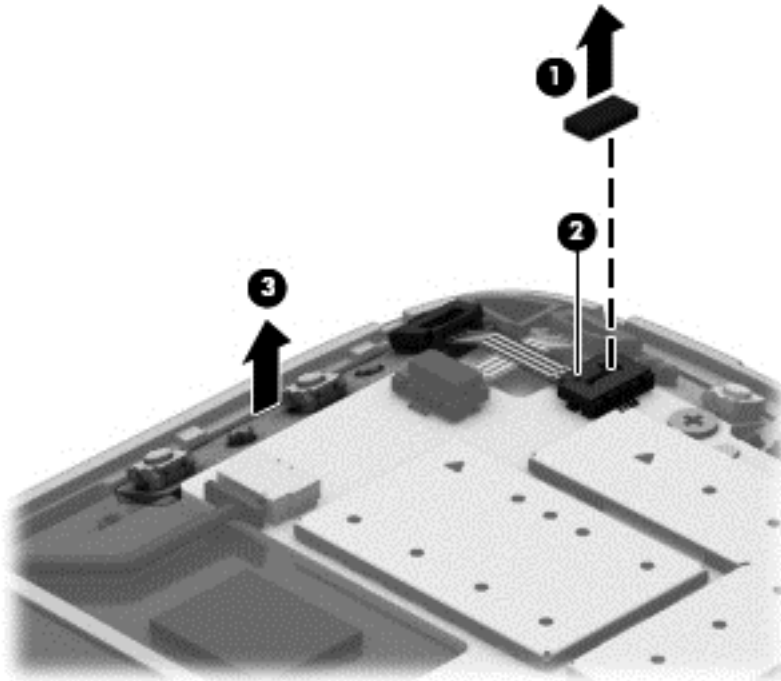
Before removing the volume button board, follow these steps:

1. Turn off the tablet. If you are unsure whether the tablet is off or in Hibernation, turn the tablet on, and then shut it down through the operating system.
2. Disconnect the power from the tablet by unplugging the power cord from the tablet.
3. Disconnect all external devices from the tablet.

4. Remove the back cover (see [Back cover on page 18](#)).
5. Disconnect the battery cable from the system board (see [Battery on page 20](#)).

Remove the volume button board:

1. Remove the rubber pad **(1)** that protects the volume button board cable ZIF connector.
2. Release the ZIF connector **(2)** to which the volume button board cable is attached, and then disconnect the volume button board cable from the system board.
3. Detach the volume button board **(3)** from the display panel assembly. (The volume button board is attached to the display panel assembly with double-sided adhesive.)



4. Remove the volume button board and cable.

Reverse this procedure to install the volume button board.

## Microphone

Description	Spare part number
Microphone (includes cable)	744533-001

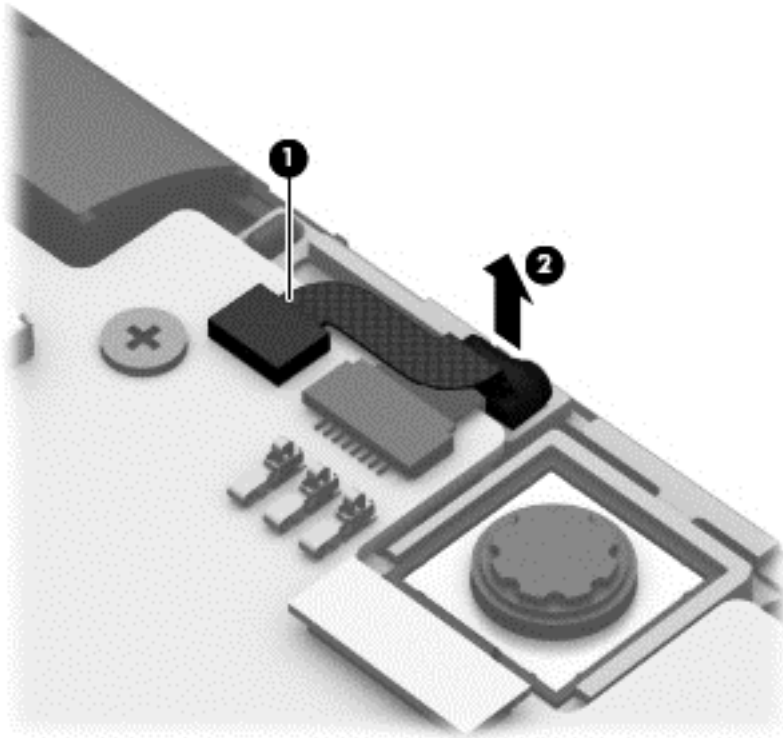
Before removing the microphone, follow these steps:

1. Turn off the tablet. If you are unsure whether the tablet is off or in Hibernation, turn the tablet on, and then shut it down through the operating system.
2. Disconnect the power from the tablet by unplugging the power cord from the tablet.

3. Disconnect all external devices from the tablet.
4. Remove the back cover (see [Back cover on page 18](#)).
5. Disconnect the battery cable from the system board (see [Battery on page 20](#)).

Remove the microphone:

1. Release the ZIF connector **(1)** to which the microphone cable is attached, and then disconnect the microphone cable from the system board.
2. Detach the microphone **(2)** from the display panel assembly. (The microphone is attached to the display panel assembly with double-sided adhesive.)



3. Remove the microphone and cable.

Reverse this procedure to install the microphone.

## Rear-facing webcam

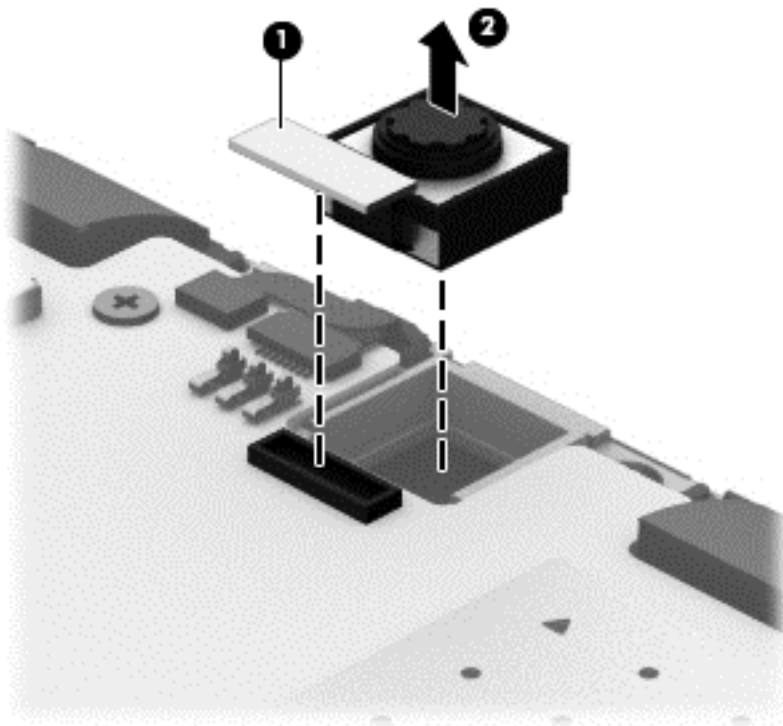
Description	Spare part number
Rear-facing webcam (includes cable)	744545-001

Before removing the rear-facing webcam, follow these steps:

1. Turn off the tablet. If you are unsure whether the tablet is off or in Hibernation, turn the tablet on, and then shut it down through the operating system.
2. Disconnect the power from the tablet by unplugging the power cord from the tablet.
3. Disconnect all external devices from the tablet.
4. Remove the back cover (see [Back cover on page 18](#)).
5. Disconnect the battery cable from the system board (see [Battery on page 20](#)).

Remove the rear-facing webcam:

1. Disconnect the rear-facing webcam cable (**1**) from the system board.
2. Detach the rear-facing webcam (**2**) from the display panel assembly. (The rear-facing webcam is attached to the display panel assembly with double-sided adhesive.)



3. Remove the rear-facing webcam and cable.

Reverse this procedure to install the rear-facing webcam.



## Audio board

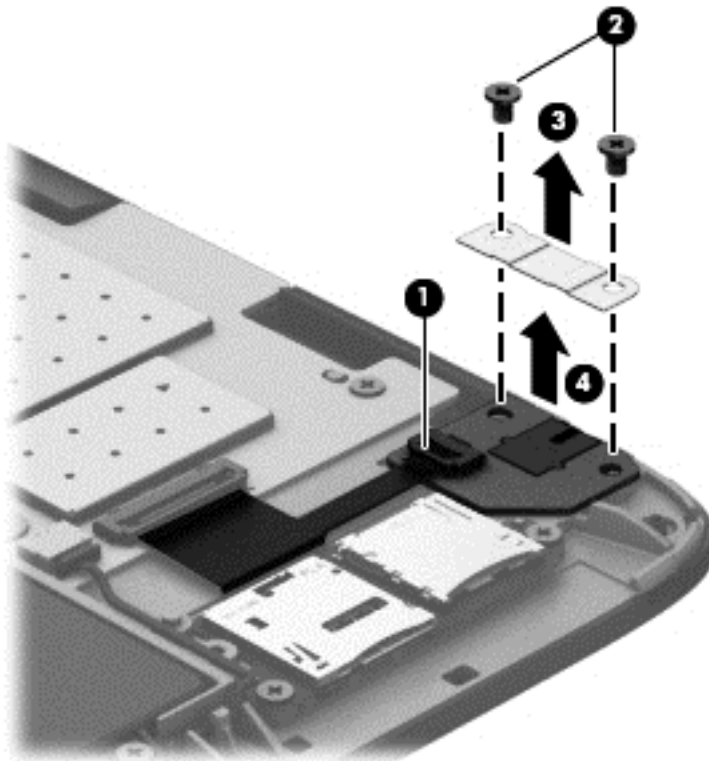
Description	Spare part number
Audio board (includes audio jack and bracket)	744537-001

Before removing the audio board, follow these steps:

1. Turn off the tablet. If you are unsure whether the tablet is off or in Hibernation, turn the tablet on, and then shut it down through the operating system.
2. Disconnect the power from the tablet by unplugging the power cord from the tablet.
3. Disconnect all external devices from the tablet.
4. Remove the back cover (see [Back cover on page 18](#)).
5. Disconnect the battery cable from the system board (see [Battery on page 20](#)).

Remove the audio board:

1. Release the ZIF connector **(1)** to which the card reader board cable is attached, and then disconnect the card reader board cable from the audio board.
2. Remove the two Phillips PM2.0x2.75 screws **(2)** that secure the audio board and bracket to the display panel assembly.
3. Remove the audio board bracket **(3)** and the audio board **(4)**.



Reverse this procedure to install the audio board.

## Card reader board

Description	Spare part number
Card reader board (includes cable, micro SIM slot, and micro SD Card Reader slot)	744540-001

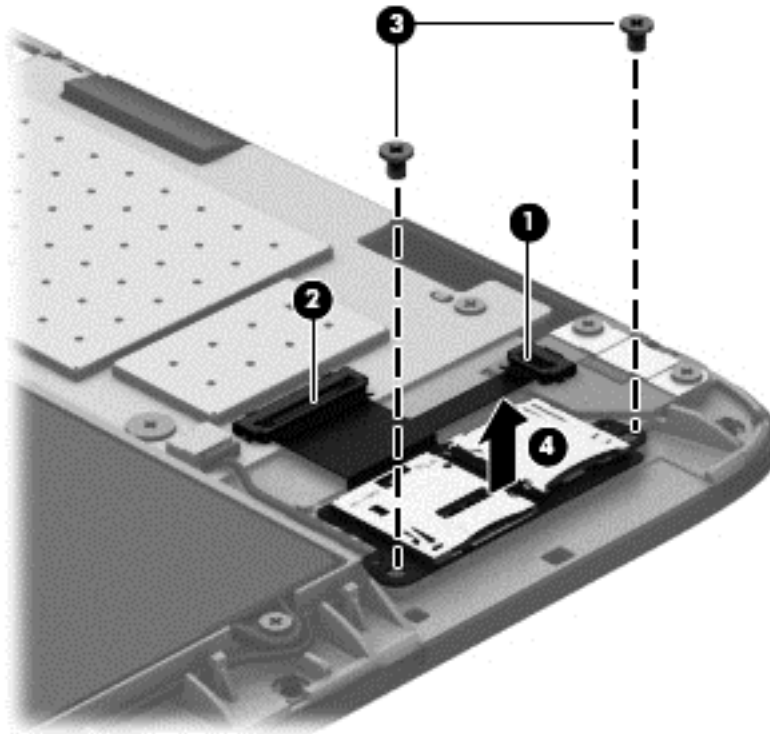
Before removing the card reader board, follow these steps:

1. Turn off the tablet. If you are unsure whether the tablet is off or in Hibernation, turn the tablet on, and then shut it down through the operating system.
2. Disconnect the power from the tablet by unplugging the power cord from the tablet.
3. Disconnect all external devices from the tablet.
4. Remove the back cover (see [Back cover on page 18](#)).
5. Disconnect the battery cable from the system board (see [Battery on page 20](#)).

Remove the audio board:

1. Release the ZIF connector **(1)** to which the card reader board cable is attached, and then disconnect the card reader board cable from the audio board.
2. Release the ZIF connector **(2)** to which the card reader board cable is attached, and then disconnect the card reader board cable from the system board.
3. Remove the two Phillips PM2.0×2.75 screws **(3)** that secure the card reader board to the display panel assembly.

4. Remove the card reader board **(4)**.



Reverse this procedure to install the card reader board.

## Speakers

Description	Spare part number
Speaker Kit (includes left and right speakers and cables)	744543-001

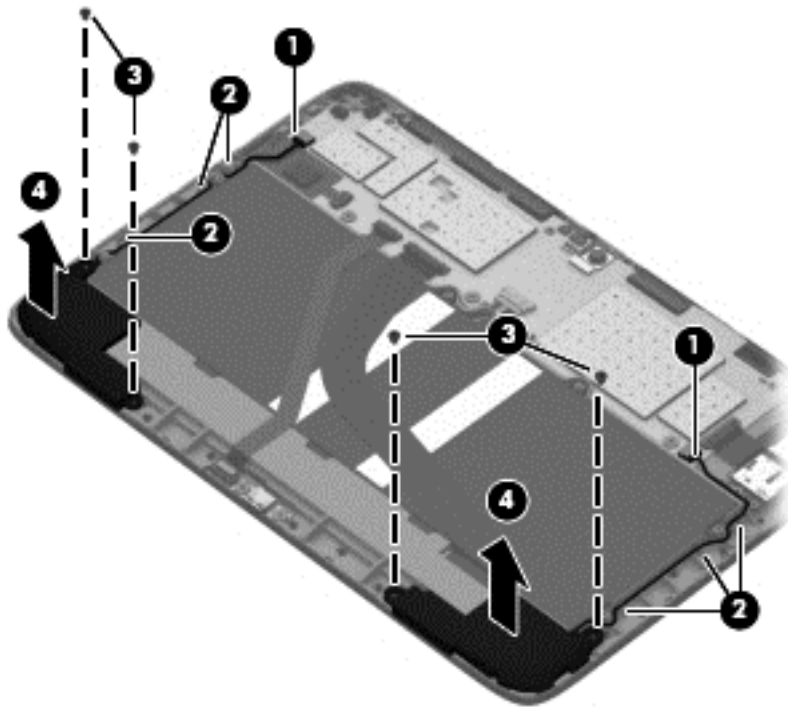
Before removing the speakers, follow these steps:

1. Turn off the tablet. If you are unsure whether the tablet is off or in Hibernation, turn the tablet on, and then shut it down through the operating system.
2. Disconnect the power from the tablet by unplugging the power cord from the tablet.
3. Disconnect all external devices from the tablet.
4. Remove the back cover (see [Back cover on page 18](#)).
5. Disconnect the battery cable from the system board (see [Battery on page 20](#)).

Remove the speakers:

1. Disconnect the speaker cables **(1)** from the system board.
2. Release the speaker cables from the retention clips **(2)** and channels built into the display panel assembly.

3. Remove the four Phillips PM2.0×2.75 screws **(3)** that secure the speakers to the display panel assembly.
4. Remove the speakers **(4)**.



Reverse this procedure to install the speakers.

## USB board

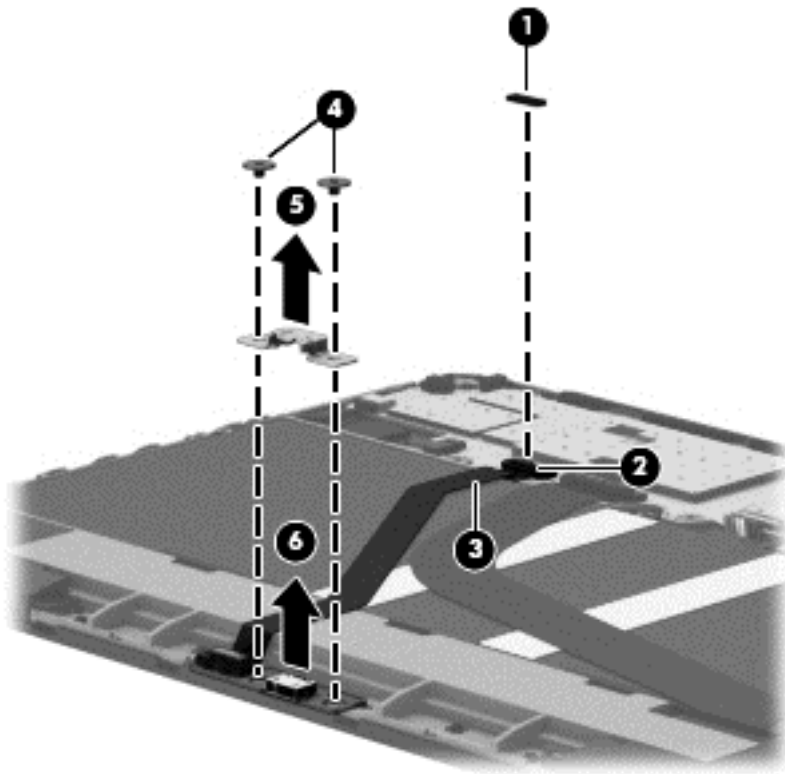
Description	Spare part number
USB board (includes bracket, cable, micro USB port, and rubber pad)	744536-001

Before removing the USB board, follow these steps:

1. Turn off the tablet. If you are unsure whether the tablet is off or in Hibernation, turn the tablet on, and then shut it down through the operating system.
2. Disconnect the power from the tablet by unplugging the power cord from the tablet.
3. Disconnect all external devices from the tablet.
4. Remove the back cover (see [Back cover on page 18](#)).
5. Disconnect the battery cable from the system board (see [Battery on page 20](#)).

Remove the USB board:

1. Remove the rubber pad **(1)** that protects the USB board cable ZIF connector.
2. Release the ZIF connector **(2)** to which the USB board cable is attached, and then disconnect the USB board cable from the system board.
3. Detach the USB board cable **(3)** from the display panel assembly. (The USB board cable is attached to the display panel assembly with double-sided adhesive.)
4. Remove the two Phillips PM2.0x2.0 broad head screws **(4)** that secure the USB board to the display panel assembly.
5. Remove the USB board bracket **(5)** and the USB board **(6)**.



Reverse this procedure to install the USB board.

## System board



**NOTE:** The system board spare part kit is equipped with a Marvel PXA986 1.20-GHz dual core (SOC) processor, 1.0-GB system memory, and a 16-GB eMMC solid-state drive.

Description	Spare part number
Equipped with WWAN capability	744058-001
Equipped with WiFi capability	744057-001

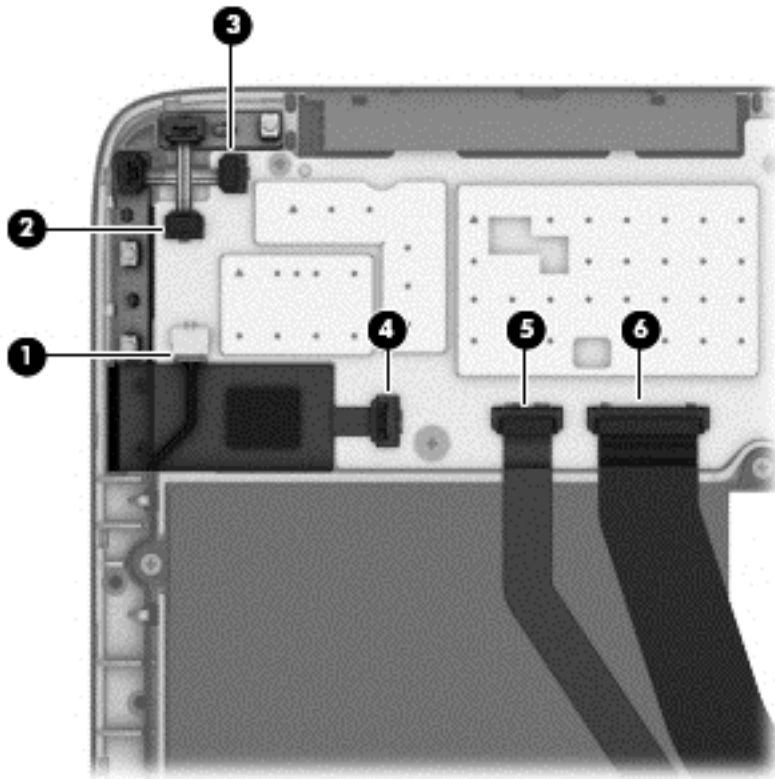
Before removing the system board, follow these steps:

1. Turn off the tablet. If you are unsure whether the tablet is off or in Hibernation, turn the tablet on, and then shut it down through the operating system.
2. Disconnect the power from the tablet by unplugging the power cord from the tablet.
3. Disconnect all external devices from the tablet.
4. Remove the back cover (see [Back cover on page 18](#)).
5. Disconnect the battery cable from the system board (see [Battery on page 20](#)).

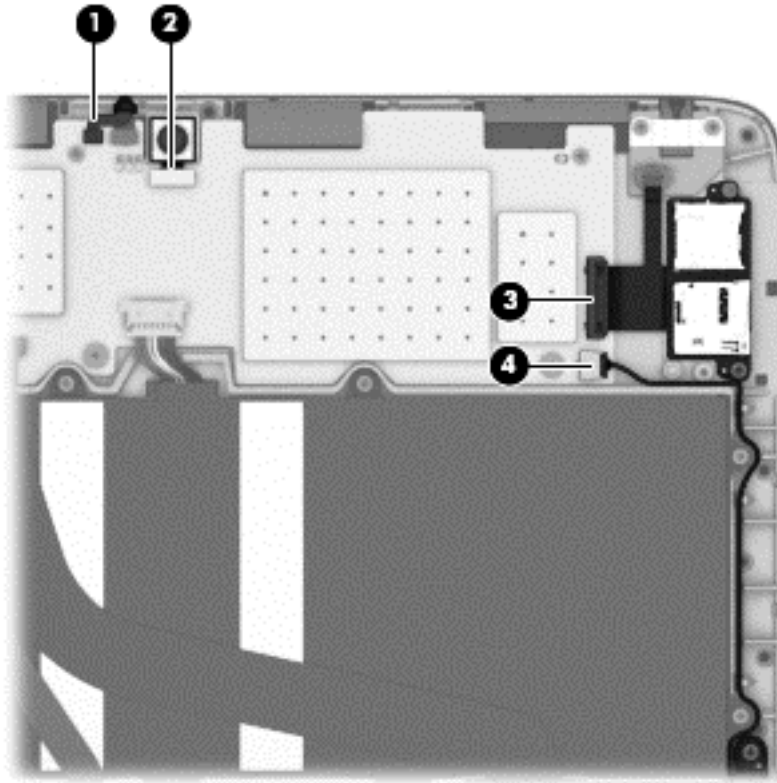
Remove the system board:

**1.** Disconnect the following cables from the system board:

- (1)** Left speaker cable
- (2)** Power button board ZIF connector and cable
- (3)** Volume button board ZIF connector and cable
- (4)** TouchScreen module ZIF connector and cable
- (5)** USB board ZIF connector and cable
- (6)** Display panel cable ZIF connector and cable



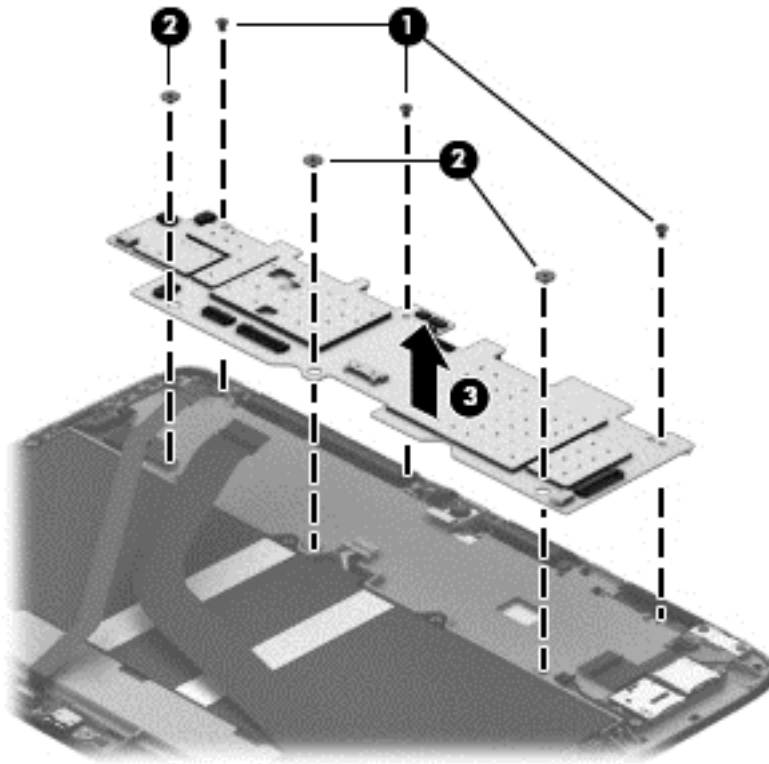
2. Disconnect the following cables from the system board:
  - (1) Microphone ZIF connector and cable
  - (2) Rear-facing webcam cable
  - (3) Card reader board ZIF connector and cable
  - (4) Right speaker cable



3. Remove the three Phillips PM2.0×2.75 screws (1) and the three Phillips PM2.0×2.0 broad head screws (2) that secure the system board to the display panel assembly.



4. Remove the system board (3).



Reverse this procedure to install the system board.

## Front-facing webcam

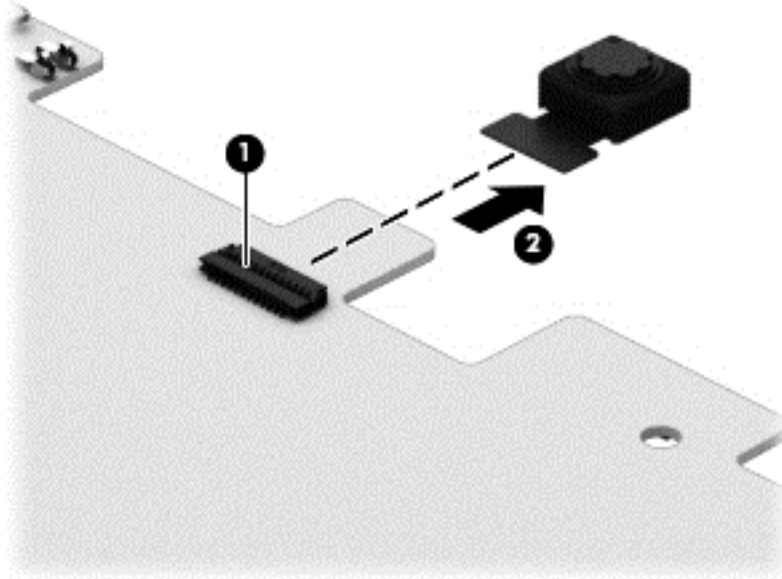
Description	Spare part number
Front-facing webcam (includes cable)	744544-001

Before removing the front-facing webcam, follow these steps:

1. Turn off the tablet. If you are unsure whether the tablet is off or in Hibernation, turn the tablet on, and then shut it down through the operating system.
2. Disconnect the power from the tablet by unplugging the power cord from the tablet.
3. Disconnect all external devices from the tablet.
4. Remove the back cover (see [Back cover on page 18](#)).
5. Disconnect the battery cable from the system board (see [Battery on page 20](#)).
6. Remove the system board (see [System board on page 32](#)).

Remove the front-facing webcam:

1. Turn the system board upside down, with the bottom edge toward you.
2. Release the ZIF connector **(1)** to which the front-facing webcam cable is attached, and then disconnect the front-facing webcam cable from the system board.
3. Remove the front-facing webcam **(2)** and cable.



Reverse this procedure to install the front-facing webcam.

# HP Slate7 HD

There are as many as 16 screws that must be removed, replaced, and/or loosened when servicing the HP Slate7 HD tablet. Make special note of each screw size and location during removal and replacement.

## Back cover

Description	Spare part number
Back cover (includes card reader slot, SIM slot cover, grounding pads and tape, power button actuator, shielding, volume button actuator, webcam lens, and wireless antenna)	
In bright red finish (includes WiFi antenna cable and transceivers)	744579-001
In silver slate finish (includes WiFi antenna cable and transceivers)	743041-001
Display panel assembly, 7.0-in, LCD, TFT, TouchScreen (includes display panel cable)	743046-001

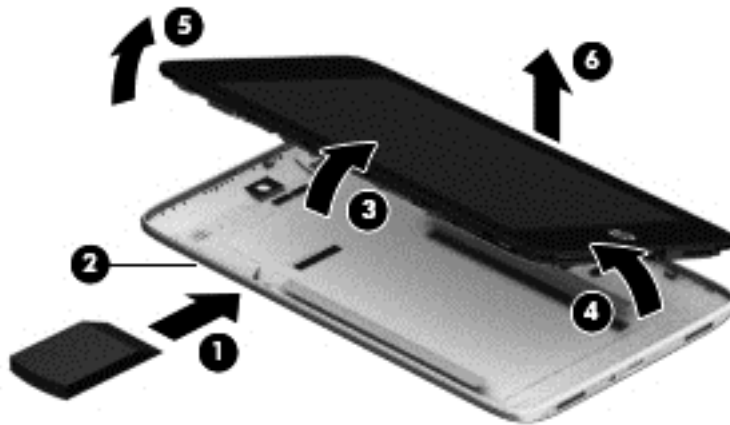
Before disassembling the HP Slate7 HD tablet, follow these steps:

1. Turn off the tablet. If you are unsure whether the tablet is off or in Hibernation, turn the tablet on, and then shut it down through the operating system.
2. Disconnect the power from the tablet by unplugging the power cord from the tablet.
3. Disconnect all external devices from the tablet.

Remove the back cover:

1. Place the tablet on a flat surface, display panel side up, with the micro SD Card Reader slot and micro SIM slot toward you.
2. Insert a case utility tool **(1)** or similar thin, plastic tool between the back cover and the display panel assembly. The first insertion point should be in the left side of the tablet near the micro SD Card Reader slot **(2)**.
3. Lift the left side of the back cover **(3)** until it separates from the display panel assembly.
4. Lift the top **(4)** and the bottom edges **(5)** of the back cover until they detach from the display panel assembly.

5. Remove the back cover (6).



Reverse this procedure to install the back cover.

## Battery

Description	Spare part number
Battery, 3.7-V, 4000-mAh, 14.8-WHr, Li-ion (includes cable)	743895-001

Before removing the battery, follow these steps:

1. Turn off the tablet. If you are unsure whether the tablet is off or in Hibernation, turn the tablet on, and then shut it down through the operating system.
2. Disconnect the power from the tablet by unplugging the power cord from the tablet.
3. Disconnect all external devices from the tablet.
4. Remove the back cover (see [Back cover on page 37](#)).

**⚠ WARNING!** To reduce potential safety issues, use only the battery provided with the tablet, a replacement battery provided by HP, or a compatible battery purchased from HP.

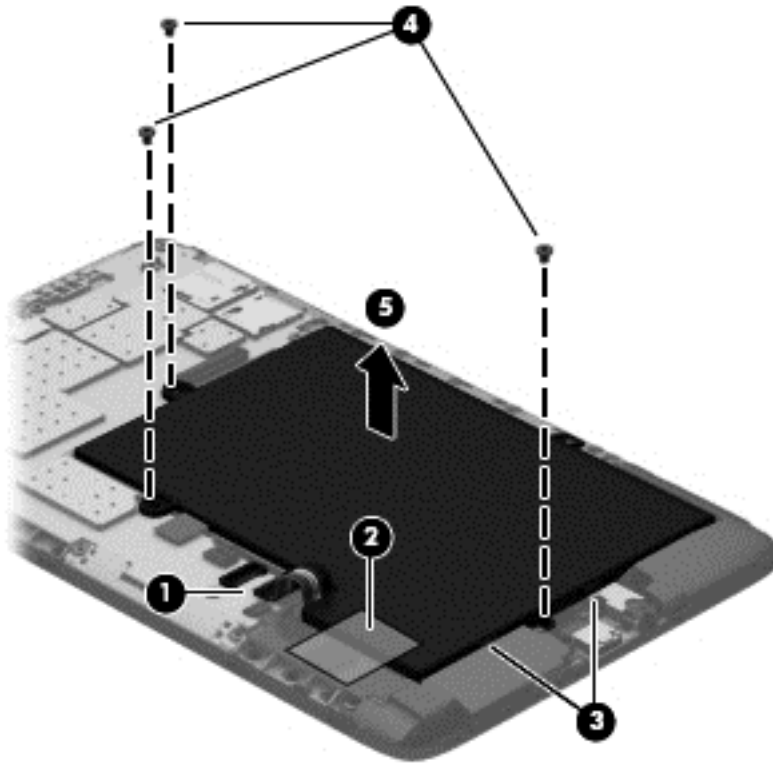
**⚠ CAUTION:** Removing a battery that is the sole power source for the tablet can cause loss of information. To prevent loss of information, save your work or shut down the tablet through Windows before removing the battery.

Remove the battery:

**⚠ CAUTION:** Before turning the display panel assembly upside down, make sure the work surface is clear of tools, screws, and any other foreign objects. Failure to follow this caution can result in damage to the display panel assembly.

1. Place the tablet on a flat surface, display panel side down, with the volume control buttons toward you.
2. Disconnect the battery cable (1) from the system board.

3. Release the tape **(2)** that secures the TouchScreen cable to the battery.
4. Release the speaker cables from the retention clips **(3)** built into the battery.
5. Remove the three Phillips PM2.0x2.75 screws **(4)** that secure the battery to the display panel assembly.
6. Remove the battery **(5)**.



Reverse this procedure to install the battery.

## Rear-facing webcam

Description	Spare part number
Rear-facing webcam (includes cable and double-sided adhesive)	743051-001

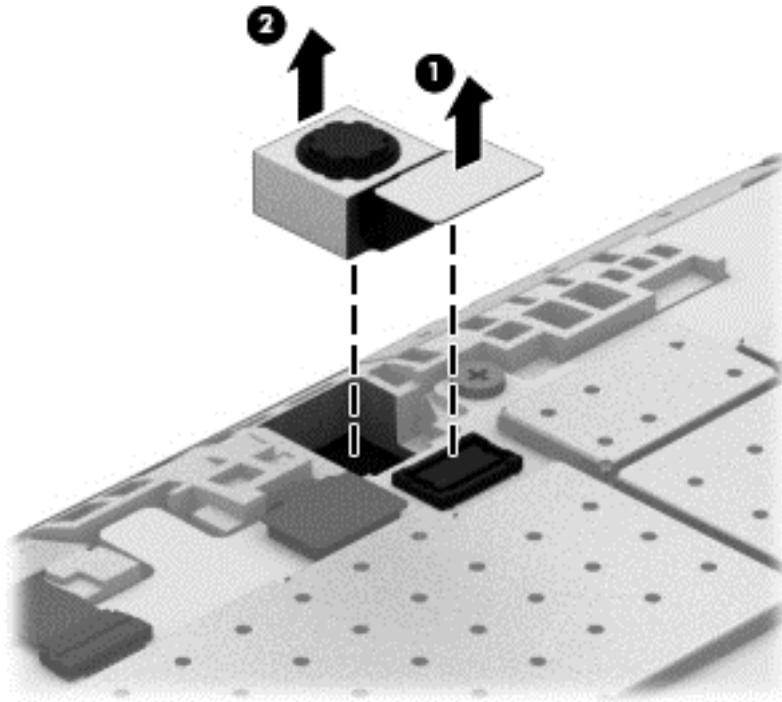
Before removing the rear-facing webcam, follow these steps:

1. Turn off the tablet. If you are unsure whether the tablet is off or in Hibernation, turn the tablet on, and then shut it down through the operating system.
2. Disconnect the power from the tablet by unplugging the power cord from the tablet.
3. Disconnect all external devices from the tablet.

4. Remove the back cover (see [Back cover on page 37](#)).
5. Disconnect the battery cable from the system board (see [Battery on page 38](#)).

Remove the rear-facing webcam:

1. Disconnect the rear-facing webcam cable (**1**) from the system board.
2. Detach the rear-facing webcam (**2**) from the display panel assembly. (The rear-facing webcam is attached to the display panel assembly with double-sided adhesive.)



3. Remove the rear-facing webcam and cable.

Reverse this procedure to install the rear-facing webcam.

## Speakers

Description	Spare part number
Speaker Kit (includes left and right speakers and cables)	743048-001

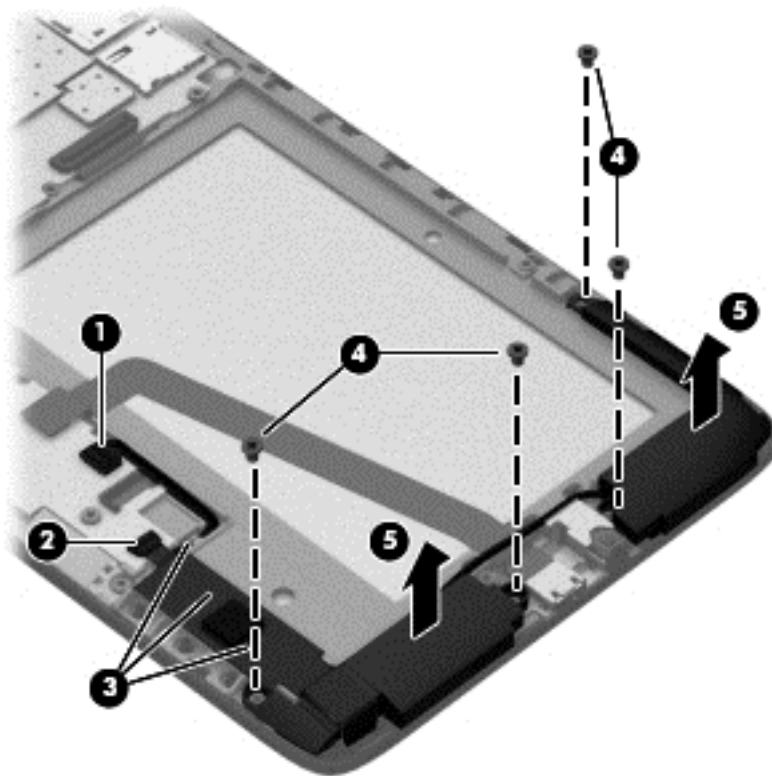
Before removing the speakers, follow these steps:

1. Turn off the tablet. If you are unsure whether the tablet is off or in Hibernation, turn the tablet on, and then shut it down through the operating system.
2. Disconnect the power from the tablet by unplugging the power cord from the tablet.
3. Disconnect all external devices from the tablet.

4. Remove the back cover (see [Back cover on page 37](#)).
5. Disconnect the battery cable from the system board (see [Battery on page 38](#)).

Remove the speakers:

1. Disconnect the speaker cable **(1)** from the system board.
2. Release the ZIF connector **(2)** to which the TouchScreen module cable is attached, and then disconnect the TouchScreen module cable from the system board.
3. Detach the TouchScreen module cable **(3)** from the battery. (The TouchScreen module cable is attached to the battery with double-sided adhesive.)
4. Remove the four Phillips PM2.0×2.75 screws **(4)** that secure the speakers to the display panel assembly.
5. Remove the speakers **(5)**.



Reverse this procedure to install the speakers.

## USB board

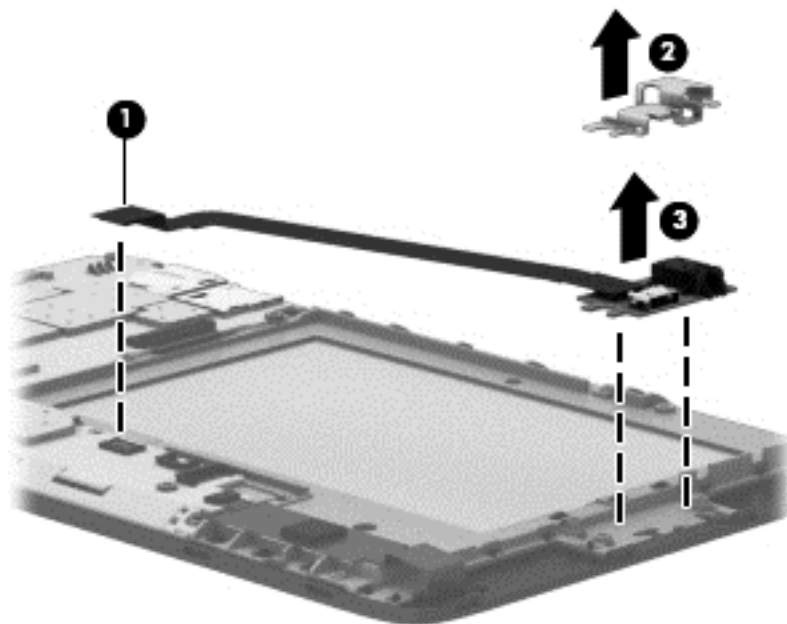
Description	Spare part number
USB board (includes bracket, cable, double-sided adhesive, and micro USB port)	743044-001

Before removing the USB board, follow these steps:

1. Turn off the tablet. If you are unsure whether the tablet is off or in Hibernation, turn the tablet on, and then shut it down through the operating system.
2. Disconnect the power from the tablet by unplugging the power cord from the tablet.
3. Disconnect all external devices from the tablet.
4. Remove the back cover (see [Back cover on page 37](#)).
5. Disconnect the battery cable from the system board (see [Battery on page 38](#)).

Remove the USB board:

1. Release the ZIF connector **(1)** to which the USB board cable is attached, and then disconnect the USB board cable from the system board.
2. Remove the USB board bracket **(2)**.
3. Detach the USB board **(3)** from the display panel assembly. (The USB board is attached to the display panel assembly with double-sided adhesive.)



4. Remove the USB board and cable.

Reverse this procedure to install the USB board.



## System board

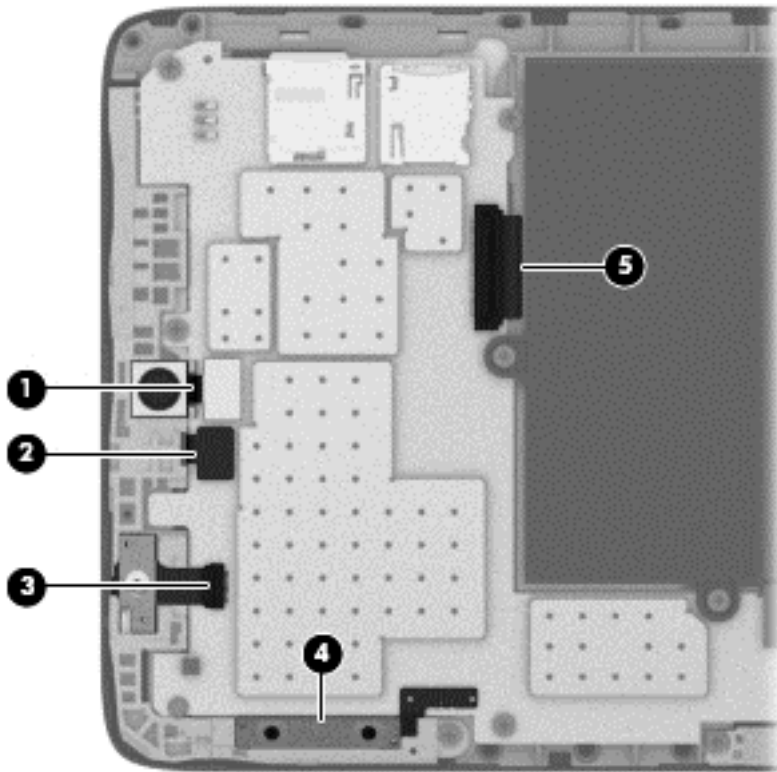
Description	Spare part number
Equipped with a Marvel PXA986 1.20-GHz dual core (SOC) processor, 1.0-GB system memory, a 16-GB eMMC solid-state drive, and WiFi capability	743049-001

Before removing the system board, follow these steps:

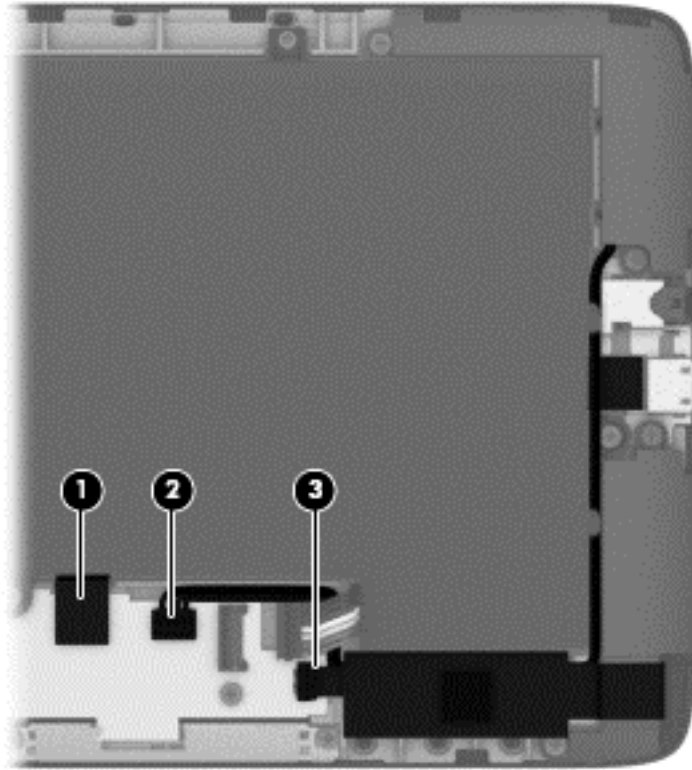
1. Turn off the tablet. If you are unsure whether the tablet is off or in Hibernation, turn the tablet on, and then shut it down through the operating system.
2. Disconnect the power from the tablet by unplugging the power cord from the tablet.
3. Disconnect all external devices from the tablet.
4. Remove the back cover (see [Back cover on page 37](#)).
5. Disconnect the battery cable from the system board (see [Battery on page 38](#)).

Remove the system board:

1. Disconnect the following cables from the system board:
  - (1) Rear-facing webcam cable
  - (2) Front-facing webcam cable
  - (3) Power button/microphone module cable
  - (4) Volume button board cable
  - (5) Display panel cable ZIF connector and cable

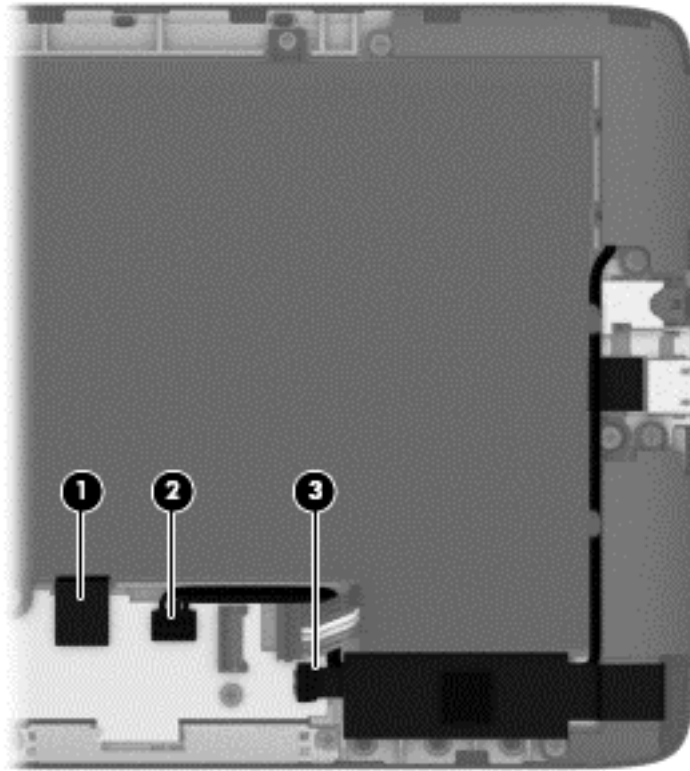


- 2.** Disconnect the following cables from the system board:
  - (1)** USB board ZIF connector and cable
  - (2)** Speaker cable
  - (3)** TouchScreen module cable



- 3.** Remove the following screws that secure the system board to the display panel assembly:
  - (1)** One Phillips PM1.4×4.1 screw
  - (2)** Two Phillips PM2.0×3.5 screws
  - (3)** Three Phillips PM2.0×2.75 screws

4. Remove the system board **(4)**.



Reverse this procedure to install the system board.

## Antenna modules

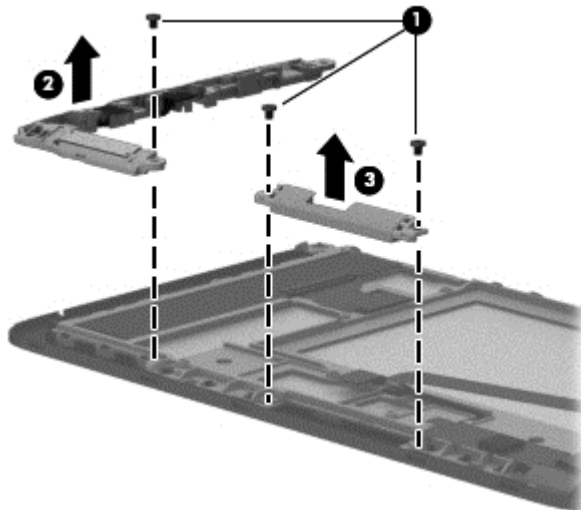
Description	Spare part number
3G antenna module	747947-001
WiFi antenna module	743045-001

Before removing the antenna modules, follow these steps:

1. Turn off the tablet. If you are unsure whether the tablet is off or in Hibernation, turn the tablet on, and then shut it down through the operating system.
2. Disconnect the power from the tablet by unplugging the power cord from the tablet.
3. Disconnect all external devices from the tablet.
4. Remove the back cover (see [Back cover on page 37](#)).
5. Remove the battery (see [Battery on page 38](#)).
6. Remove the system board (see [System board on page 43](#)).

Remove the antenna modules:

1. Remove the three Phillips PM2.0x2.75 screws **(1)** that secure the antenna modules to the display panel assembly.
2. Detach the 3G antenna module **(2)** from the display panel assembly. (The 3G antenna module is attached to the display panel assembly with double-sided adhesive.)
3. Detach the WiFi antenna module **(3)** from the display panel assembly. (The WiFi antenna module is attached to the display panel assembly with double-sided adhesive.)



4. Remove the antenna modules.

Reverse this procedure to install the antenna modules.

## Power button/microphone module

Description	Spare part number
Power button/microphone module (includes cable, double-sided adhesive, and rubber pad)	744580-001

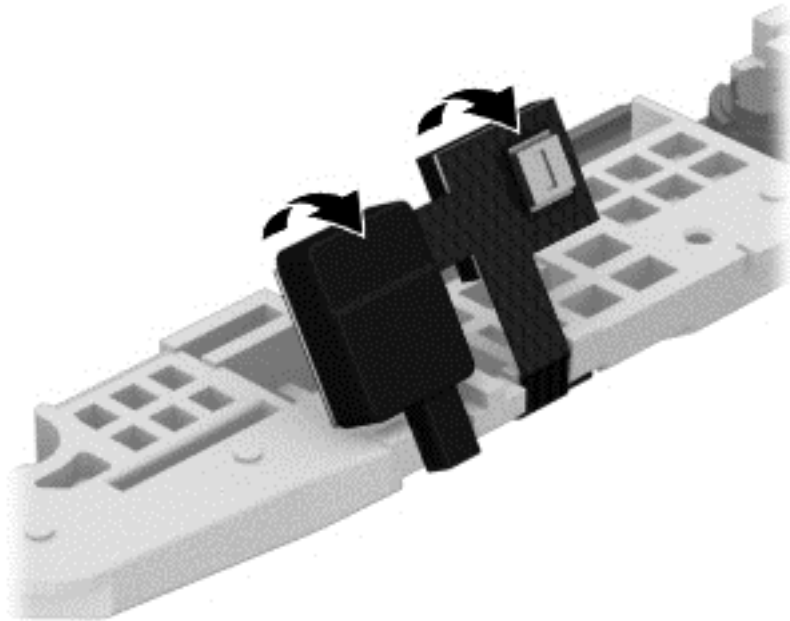
Before removing the power button/microphone module, follow these steps:

1. Turn off the tablet. If you are unsure whether the tablet is off or in Hibernation, turn the tablet on, and then shut it down through the operating system.
2. Disconnect the power from the tablet by unplugging the power cord from the tablet.

3. Disconnect all external devices from the tablet.
4. Remove the back cover (see [Back cover on page 37](#)), and then remove the following components:
  - a. Battery (see [Battery on page 38](#))
  - b. System board (see [System board on page 43](#))
  - c. 3G antenna module (see [Antenna modules on page 46](#))

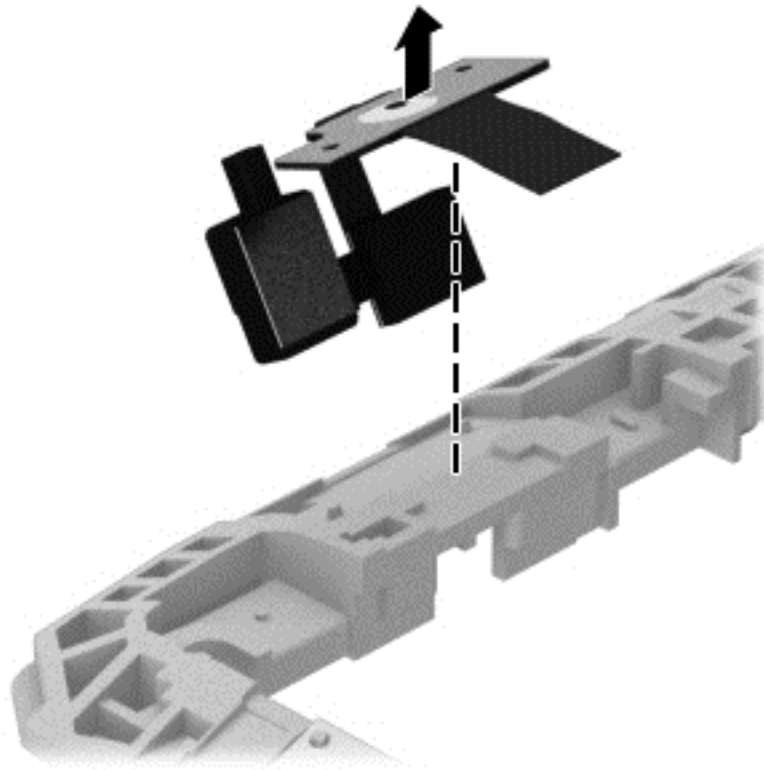
Remove the power button/microphone module:

1. Turn the 3G antenna module upside down with the bottom toward you.
2. Detach the power button/microphone module from the rear surface of the 3G antenna module. (The power button/microphone module is attached to the 3G antenna module with double-sided adhesive.)



3. Turn the 3G antenna module right side up with the bottom toward you.

4. Detach the power button/microphone module base plate from the 3G antenna module. (The power button/microphone module is attached to the 3G antenna module with double-sided adhesive.)



5. Remove the power button/microphone module and cable.  
Reverse this procedure to install the power button/microphone module.

## Front-facing webcam

Description	Spare part number
Front-facing webcam (includes cable)	743050-001

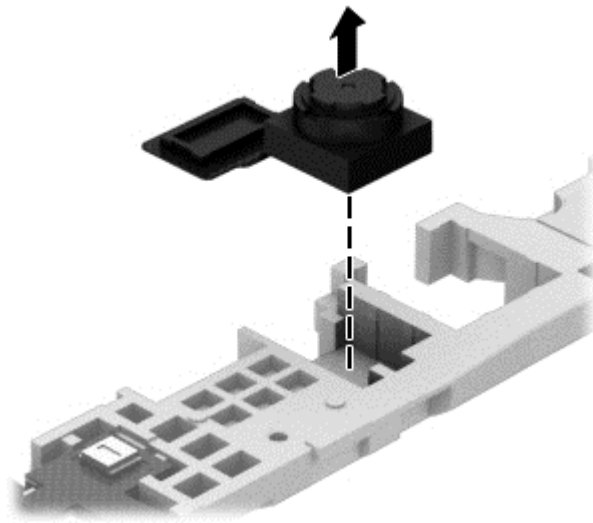
Before removing the front-facing webcam, follow these steps:

1. Turn off the tablet. If you are unsure whether the tablet is off or in Hibernation, turn the tablet on, and then shut it down through the operating system.
2. Disconnect the power from the tablet by unplugging the power cord from the tablet.

3. Disconnect all external devices from the tablet.
4. Remove the back cover (see [Back cover on page 37](#)), and then remove the following components:
  - a. Battery (see [Battery on page 38](#))
  - b. System board (see [System board on page 43](#))
  - c. 3G antenna module (see [Antenna modules on page 46](#))

Remove the front-facing webcam:

1. Turn the 3G antenna module upside down with the bottom toward you.
2. Release the front-facing webcam from the retention molding built into the 3G antenna module.



3. Remove the front-facing webcam and cable.

Reverse this procedure to install the front-facing webcam.



# 6 Specifications

## HP Slate10 HD

	Metric	U.S.
<b>Dimensions</b>		
Width	<b>17.80 cm</b>	7.01 in
Depth	<b>0.97 cm</b>	0.38 in
Height	<b>25.90 cm</b>	10.19 in
Weight (lowest weight configuration)	<b>0.63 kg</b>	1.38 lb
<b>Input power</b>		
The tablet operates on DC power, which can be supplied by an AC or a DC power source. The AC power source must be rated at 100–240 V, 50/60 Hz.		
<b>NOTE:</b> The tablet can operate on DC power using an industry-standard micro-A or micro-B USB cable. The HP 5V 2A adapter included with your tablet is recommended for charging the tablet.		
<b>Temperature</b>		
Operating	<b>5°C to 35°C</b>	41°F to 95°F
Nonoperating	<b>-20°C to 60°C</b>	-4°F to 140°F
<b>Relative humidity</b> (non-condensing)		
Operating	10% to 90%	
Nonoperating	5% to 95%	
<b>Maximum altitude</b> (unpressurized)		
Operating	<b>-15 m to 3,048 m</b>	-50 ft to 10,000 ft
Nonoperating	<b>-15 m to 12,192 m</b>	-50 ft to 40,000 ft
<b>NOTE:</b> Applicable product safety standards specify thermal limits for plastic surfaces. The device operates well within this range of temperatures.		

# HP Slate7 HD

	Metric	U.S.
<b>Dimensions</b>		
Width	<b>20.13 cm</b>	7.93 in
Depth	<b>0.99 cm</b>	0.39 in
Height	<b>11.98 cm</b>	4.72 in
Weight	<b>0.33 kg</b>	0.72 lb
<b>Input power</b>		
The tablet operates on DC power, which can be supplied by an AC or a DC power source. The AC power source must be rated at 100–240 V, 50/60 Hz.		
<b>NOTE:</b> The tablet can operate on DC power using an industry-standard micro-A or micro-B USB cable. The HP 5V 2A adapter included with your tablet is recommended for charging the tablet.		
<b>Temperature</b>		
Operating	<b>5°C to 35°C</b>	41°F to 95°F
Nonoperating	<b>-20°C to 60°C</b>	-4°F to 140°F
<b>Relative humidity</b> (non-condensing)		
Operating	10% to 90%	
Nonoperating	5% to 95%	
<b>Maximum altitude</b> (unpressurized)		
Operating	<b>-15 m to 3,048 m</b>	-50 ft to 10,000 ft
Nonoperating	<b>-15 m to 12,192 m</b>	-50 ft to 40,000 ft
<b>NOTE:</b> Applicable product safety standards specify thermal limits for plastic surfaces. The device operates well within this range of temperatures.		

# 7 Power cord set requirements

The wide-range input feature of the tablet permits it to operate from any line voltage from 100 to 120 volts AC, or from 220 to 240 volts AC.

The 3-conductor power cord set included with the tablet meets the requirements for use in the country or region where the equipment is purchased.

Power cord sets for use in other countries and regions must meet the requirements of the country or region where the tablet is used.

## Requirements for all countries

The following requirements are applicable to all countries and regions:

- The length of the power cord set must be at least 1.0 m (3.3 ft) and no more than 2.0 m (6.5 ft).
- All power cord sets must be approved by an acceptable accredited agency responsible for evaluation in the country or region where the power cord set will be used.
- The power cord sets must have a minimum current capacity of 10 amps and a nominal voltage rating of 125 or 250 V AC, as required by the power system of each country or region.
- The appliance coupler must meet the mechanical configuration of an EN 60 320/IEC 320 Standard Sheet C13 connector for mating with the appliance inlet on the back of the tablet.

## Requirements for specific countries and regions

Country/region	Accredited agency	Applicable note number
Australia	EANSW	1
Austria	OVE	1
Belgium	CEBC	1
Canada	CSA	2
Denmark	DEMKO	1
Finland	FIMKO	1
France	UTE	1

Country/region	Accredited agency	Applicable note number
Germany	VDE	1
Italy	IMQ	1
Japan	METI	3
The Netherlands	KEMA	1
Norway	NEMKO	1
The People's Republic of China	COC	5
South Korea	EK	4
Sweden	CEMKO	1
Switzerland	SEV	1
Taiwan	BSMI	4
The United Kingdom	BSI	1
The United States	UL	2

1. The flexible cord must be Type HO5VV-F, 3-conductor, 1.0-mm<sup>2</sup> conductor size. Power cord set fittings (appliance coupler and wall plug) must bear the certification mark of the agency responsible for evaluation in the country or region where it will be used.
2. The flexible cord must be Type SPT-3 or equivalent, No. 18 AWG, 3-conductor. The wall plug must be a two-pole grounding type with a NEMA 5-15P (15 A, 125 V) or NEMA 6-15P (15 A, 250 V) configuration.
3. The appliance coupler, flexible cord, and wall plug must bear a "T" mark and registration number in accordance with the Japanese Dentori Law. The flexible cord must be Type VCT or VCTF, 3-conductor, 1.00-mm<sup>2</sup> conductor size. The wall plug must be a two-pole grounding type with a Japanese Industrial Standard C8303 (7 A, 125 V) configuration.
4. The flexible cord must be Type RVV, 3-conductor, 0.75-mm<sup>2</sup> conductor size. Power cord set fittings (appliance coupler and wall plug) must bear the certification mark of the agency responsible for evaluation in the country or region where it will be used.
5. The flexible cord must be Type VCTF, 3-conductor, 0.75-mm<sup>2</sup> conductor size. Power cord set fittings (appliance coupler and wall plug) must bear the certification mark of the agency responsible for evaluation in the country or region where it will be used.

---

## 8 Recycling

When a non-rechargeable or rechargeable battery has reached the end of its useful life, do not dispose of the battery in general household waste. Follow the local laws and regulations in your area for battery disposal.

HP encourages customers to recycle used electronic hardware, HP original print cartridges, and rechargeable batteries. For more information about recycling programs, see the HP Web site at <http://www.hp.com/recycle>.

---

# Index

## Symbols/Numerics

3G antenna module  
removal 46  
spare part number 9, 13, 46

## A

AC adapter, spare part numbers 10, 12  
antenna  
removal 46  
spare part numbers 9, 11, 13, 46  
audio board  
removal 27  
spare part number 8, 12, 27  
audio, product description 2  
audio-in jack 4, 5  
audio-out jack 4, 5

## B

back cover  
removal 18, 37  
spare part numbers 7, 9, 11, 12, 13, 18, 37  
battery  
removal 20, 38  
spare part numbers 8, 10, 11, 20, 38  
buttons  
power 4, 5  
volume control 4, 5

## C

cables, service considerations 14  
card reader board  
removal 28  
spare part number 8, 12, 28  
Card Reader slot 4, 5

connectors, service considerations 14

## D

display panel assembly, spare part numbers 8, 10, 11, 18, 37  
display panel, product description 1

## E

electrostatic discharge 15  
equipment guidelines 17  
external expansion, product description 3

## F

front-facing webcam  
location 4, 5  
removal 35, 49  
spare part numbers 8, 9, 11, 12, 35, 49

## G

graphics, product description 2  
grounding guidelines 15  
guidelines  
equipment 17  
grounding 15  
packaging 16  
transporting 16  
workstation 16

## H

headphone jack 4, 5

## J

jacks  
audio-in 4, 5  
audio-out 4, 5

headphone 4, 5  
microphone 4, 5

## M

mass storage device, product description 2  
memory module, product description 2  
microphone  
location 4, 5  
product description 2  
removal 24  
spare part number 8, 12, 24  
microphone jack 4, 5  
model name 1

## O

operating system, product description 3

## P

packaging guidelines 16  
plastic parts, service considerations 14  
ports  
product description 3  
USB 2.0 4, 5  
power button 4, 5  
power button board  
removal 22  
spare part number 7, 12, 22  
power button/microphone module  
removal 47  
spare part number 9, 13, 47  
power cord, set requirements 53  
power requirements, product description 3  
processor, product description 1

- product description
  - audio 2
  - display panel 1
  - external expansion 3
  - graphics 2
  - mass storage 2
  - memory module 2
  - microphone 2
  - operating system 3
  - ports 3
  - power requirements 3
  - processors 1
  - product name 1
  - security 3
  - sensor 2
  - serviceability 3
  - video 2
  - wireless networking 3
- product name 1

**R**

- rear-facing webcam
  - location 4, 5
  - removal 26, 39
  - spare part numbers 8, 9, 11, 12, 26, 39

**S**

- Screw Kit, spare part numbers 10, 11, 12
- security, product description 3
- sensor module
  - removal 19
  - spare part number 7, 12, 19
- sensor, product description 2
- service considerations
  - cables 14
  - connectors 14
  - plastic parts 14
- serviceability, product description 3
- SIM slot 4, 5
- Speaker Kit, spare part numbers 8, 10, 11, 12, 29, 40
- speakers
  - location 4, 5
  - removal 29, 40
  - spare part numbers 8, 10, 11, 12, 29, 40

- system board
  - removal 32, 43
  - spare part numbers 8, 9, 11, 12, 32, 43

**T**

- tablet
  - major components 7, 9
  - spare part numbers 10, 11, 12, 13
  - specifications 51, 52
- tools required 14
- transporting guidelines 16

**U**

- USB 2.0 port 4, 5
- USB board
  - removal 30, 42
  - spare part numbers 8, 10, 11, 12, 30, 42
- USB extension cable, spare part number 11, 13

**V**

- video, product description 2
- volume button board
  - removal 23
  - spare part number 8, 12, 23
- volume control buttons 4, 5

**W**

- webcam
  - removal 26, 35, 39, 49
  - spare part numbers 8, 9, 11, 12, 26, 35, 39, 49
- WiFi antenna module
  - removal 46
  - spare part number 9, 11, 46
- wireless networking, product description 3
- workstation guidelines 16