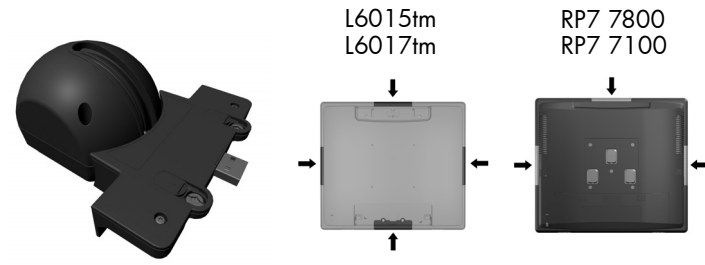




HP Retail Integrated Barcode Scanner Installation Instructions



Copyright © 2013 Hewlett-Packard Development Company, L.P. The information contained herein is subject to change without notice. Printed in



739148-001

NOTE: Refer to the *HP L6015tm and L6017tm Retail Touch Monitors User Guide*, the *HP RP7 Retail System Model 7800 Hardware Reference Guide*, or the *HP RP7 Retail System Model 7100 Hardware Reference Guide* at www.hp.com for detailed instructions on installing USB modules.

CAUTION: This accessory is for use only with compatible UL Listed host products that have been evaluated for the operating altitude up to 3048m/10,000 feet. Use only with Listed ITE.

Installing Drivers for the Scanner

Download the latest drivers for the scanner from www.hp.com.

Configuring the Scanner for the HP L6015tm and L6017tm Retail Touch Monitors

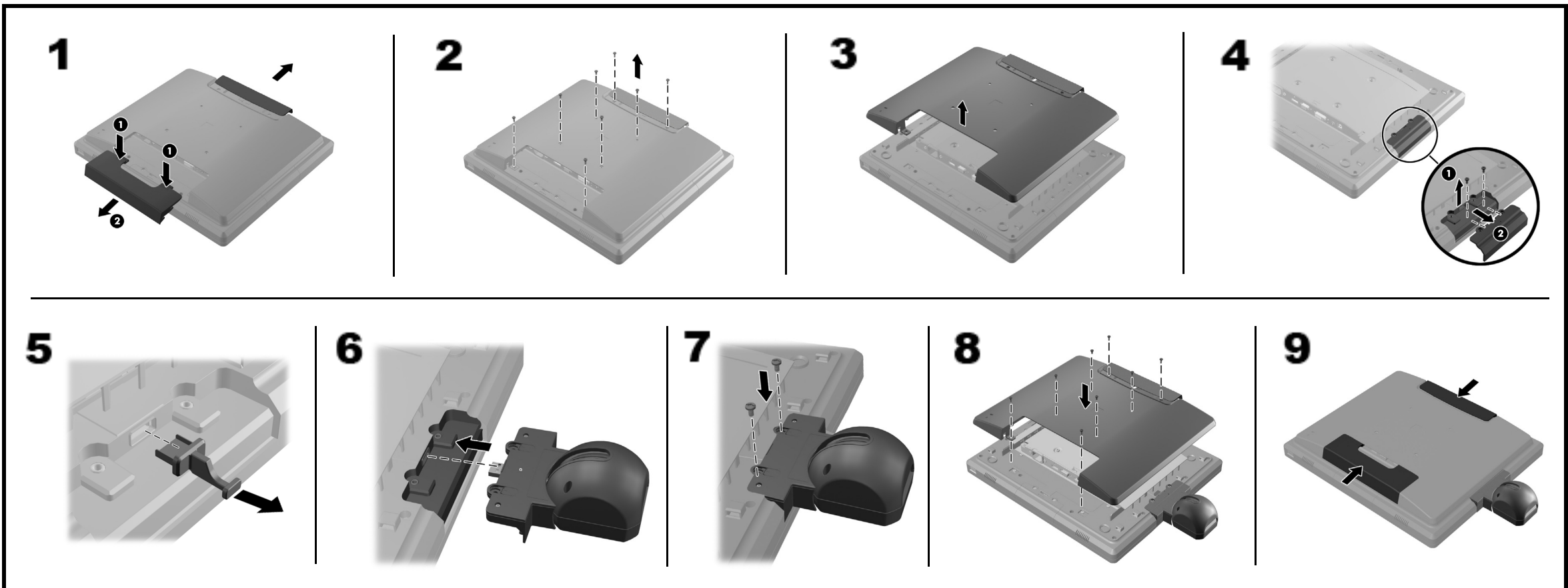
To configure the scanner, insert the disc included with this product and refer to the *HP Point of Sale Configuration Guide* (available in English only).

Configuring the Scanner for the HP RP7 Retail System Models 7800 and 7100

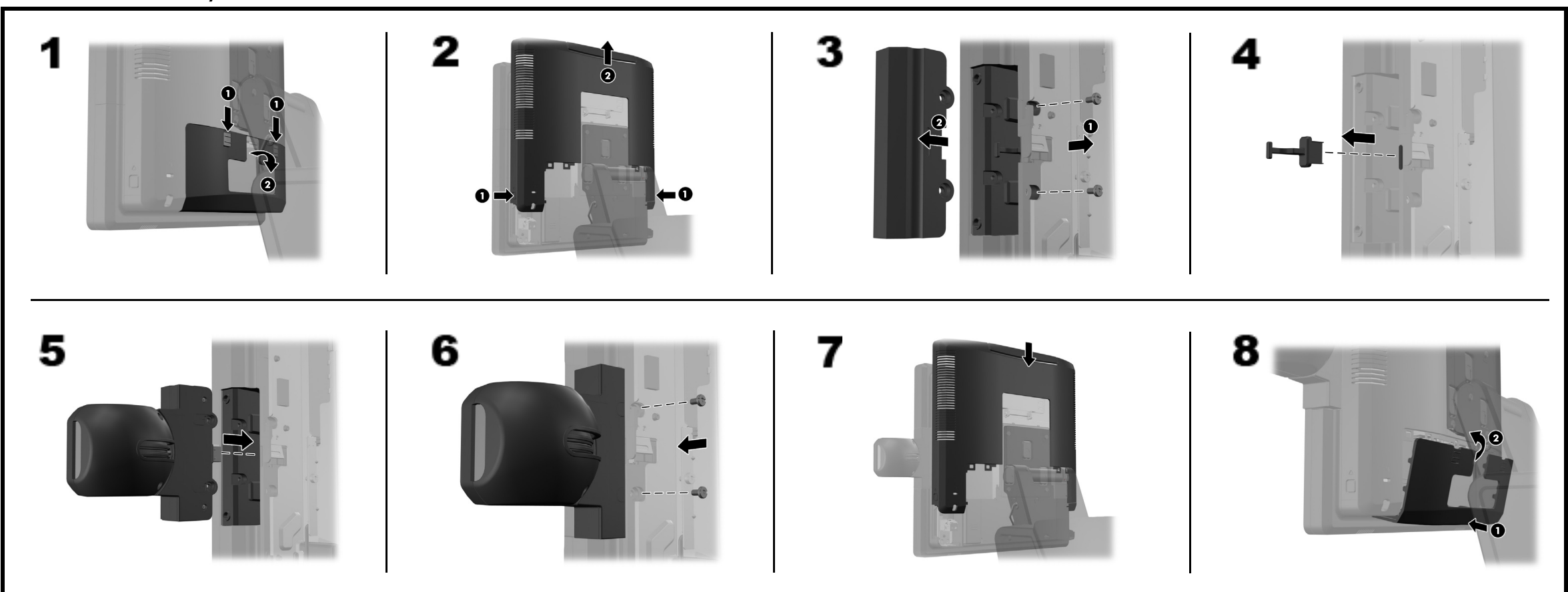
To configure the scanner, refer to the *HP Point of Sale Configuration Guide* (available in English only). The guide is available on the HP factory image of the RP7 system's hard drive and at www.hp.com. To access the guide on the factory image:

- In Windows Embedded POSReady 2009, select **Start > All Programs > HP Point of Sale Information**.
- In Windows 7 or Windows Embedded POSReady 7, select **Start > HP Point of Sale Information**.

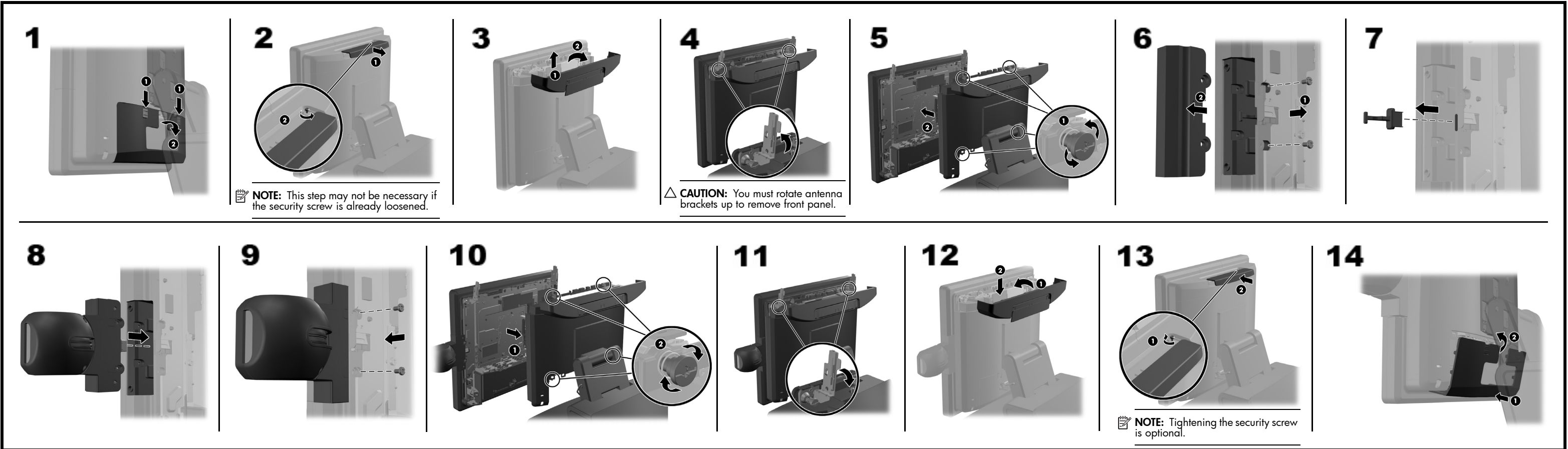
HP L6015tm and L6017tm Retail Touch Monitors



HP RP7 Retail System Model 7800



HP RP7 Retail System Model 7100



Laser Compliance

This device is classified as a Class 2 Laser Product in accordance with US FDA regulations and the IEC 60825-1.

Each laser product complies with 21 CFR 1040.10 and 1040.11 except for deviations pursuant to Laser Notice No. 50, dated June 24, 2007; and with IEC 60825-1:2007

CAUTION: CLASS 2 LASER RADIATION DO NOT STARE INTO THE BEAM

Output Radiation 1mW Avg. Emitted Wave Length 650nm

WARNING! Use of controls or adjustments or performance of procedures other than those specified herein or in the laser product's installation guide may result in hazardous radiation exposure. To reduce the risk of exposure to hazardous radiation:

- Do not try to open the module enclosure. There are no user-serviceable components inside.
- Do not operate controls, make adjustments, or perform procedures to the laser device other than those specified herein.
- Allow only HP Authorized Service technicians to repair the unit.