



## HP Stream 8 Tablet (model numbers 58xx and 59xx)

**Maintenance and Service Guide**  
**IMPORTANT! This document is intended for  
HP authorized service providers only.**

© Copyright 2014 Hewlett-Packard  
Development Company, L.P.

Bluetooth is a trademark owned by its proprietor and used by Hewlett-Packard Company under license. Intel is a U.S. registered trademark of Intel Corporation. Microsoft and Windows are U.S. registered trademarks of Microsoft Corporation. SD Logo is a trademark of its proprietor.

The information contained herein is subject to change without notice. The only warranties for HP products and services are set forth in the express warranty statements accompanying such products and services. Nothing herein should be construed as constituting an additional warranty. HP shall not be liable for technical or editorial errors or omissions contained herein.

First Edition: October 2014

Document Part Number: 791739-001

#### **Product notice**

This guide describes features that are common to most models. Some features may not be available on your tablet.


#### **Software terms**

By installing, copying, downloading, or otherwise using any software product preinstalled on this tablet, you agree to be bound by the terms of the HP End User License Agreement (EULA). If you do not accept these license terms, your sole remedy is to return the entire unused product (hardware and software) within 14 days for a refund subject to the refund policy of your place of purchase.

For any further information or to request a full refund of the tablet, please contact your local point of sale (the seller).

## Safety warning notice

---

 **WARNING!** To reduce the possibility of heat-related injuries or of overheating the device, do not place the device directly on your lap or obstruct the device air vents. Use the device only on a hard, flat surface. Do not allow another hard surface, such as an adjoining optional printer, or a soft surface, such as pillows or rugs or clothing, to block airflow. Also, do not allow the AC adapter to contact the skin or a soft surface, such as pillows or rugs or clothing, during operation. The device and the AC adapter comply with the user-accessible surface temperature limits defined by the International Standard for Safety of Information Technology Equipment (IEC 60950).

---



---

# Table of contents

<b>1 Product description .....</b>	<b>1</b>
<b>2 External component identification .....</b>	<b>3</b>
<b>3 Illustrated parts catalog .....</b>	<b>5</b>
Locating the model number, product number, and serial number .....	5
Tablet major components .....	6
Miscellaneous parts .....	7
Sequential part number listing .....	9
<b>4 Removal and replacement preliminary requirements .....</b>	<b>14</b>
Tools required .....	14
Service considerations .....	14
Plastic parts .....	14
Cables and connectors .....	14
Grounding guidelines .....	15
Electrostatic discharge damage .....	15
Packaging and transporting guidelines .....	16
Workstation guidelines .....	16
<b>5 Removal and replacement procedures .....</b>	<b>18</b>
Tablet component replacement procedures .....	18
Back cover .....	18
Middle frame .....	20
Battery .....	21
3G antenna board .....	22
Rear-facing webcam .....	24
Front-facing webcam .....	26
Button board .....	27
Display panel cable .....	28
Speakers .....	29
System board .....	30
WWAN antenna .....	33
WLAN antenna .....	34

<b>6 Using HP PC Hardware Diagnostics (UEFI)</b> .....	<b>36</b>
Downloading HP PC Hardware Diagnostics (UEFI) to a USB device .....	36
<b>7 Specifications</b> .....	<b>37</b>
<b>8 Backup and recovery</b> .....	<b>38</b>
Backing up your information .....	38
Performing a system recovery .....	38
Changing the boot device order .....	39
Using Windows Refresh or Windows Reset .....	39
<b>9 Power cord set requirements</b> .....	<b>40</b>
Requirements for all countries .....	40
Requirements for specific countries and regions .....	40
<b>10 Recycling</b> .....	<b>42</b>
<b>Index</b> .....	<b>43</b>

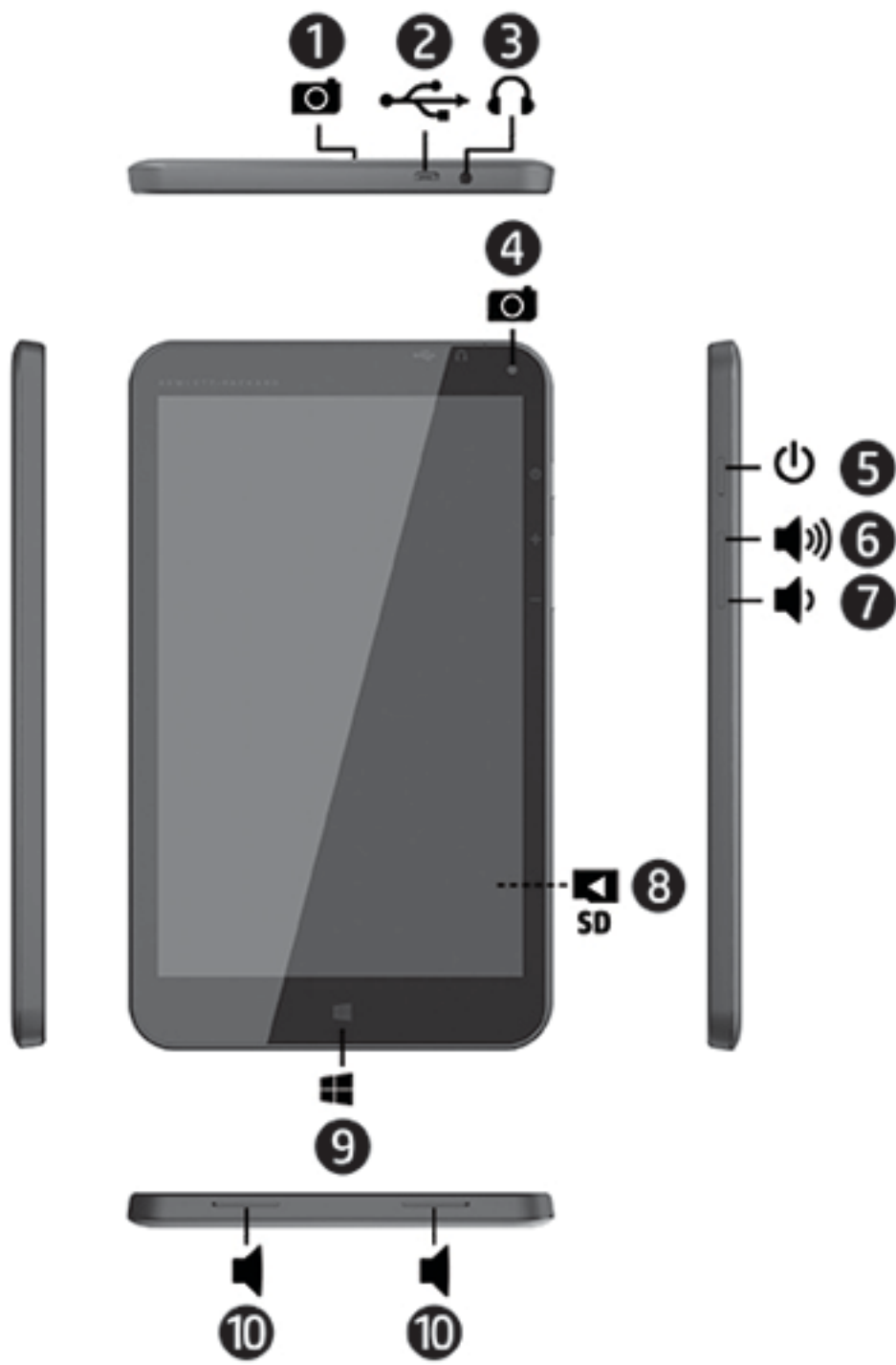
# 1 Product description

Category	Description
<b>Product Name</b>	HP Stream 8 Tablet model number 59xx (3G compatible) HP Stream 8 Tablet model number 58xx (Wi-Fi compatible)
<b>Processor</b>	Intel® Z3735G 1.30-GHz (1.80-GHz burst mode) quad core processor soldered-on-circuit (SoC)
<b>Panel</b>	8.0-in (1280×800), AntiGlare (AG), In panel switching (IPS), light-emitting diode (LED), multi-touch, wide-viewing angle, 5-point capacitive, auto-rotate (selectable), tempered-glass, backlit, TouchScreen display panel
<b>Memory</b>	On-board; non-accessible 1-GB DDR3L
<b>Mass storage</b>	Supports 32-GB eMMC
<b>Audio and video</b>	Two speakers One microphone CTIA headset only Supports MP3, OGG, Flac, AAC, and AMR 2.0-MP, fixed-focus front-facing webcam 5.0-MP, auto-focus rear-facing webcam Supports MPEG1, MPEG2, MPEG4-XVID, H264, H263, WMV7/8/9, VC-1, VP8, AVS, MJPEG, VP6, WMV1/2, DIVX Supports JPG, BMP, GIF, and PNG photos
<b>Sensor</b>	Accelerometer G-sensor GPS (HP Stream 8 Tablet model numbers 59xx only) SAR (HP Stream 8 Tablet model numbers 59xx only)
<b>Wireless networking</b>	<b>Integrated wireless options:</b> WLAN: 802.11 b/g/n 3G data: GSM 900-/1800- or 850-/1900-MHz WCDMA: 900-/2100- or 850-/1900-MHz Bluetooth: 4.0, WAPI, diversity antenna Wi-Fi variant only, WLAN: 802.11 b/g/n WWAN: Huawei MU739
<b>External expansion</b>	Integrated micro SD Card Reader expandable to 32-GB
<b>Ports</b>	<ul style="list-style-type: none"><li>• Audio: headphone jack</li><li>• Micro USB 2.0 port supporting charging and data</li></ul>
<b>Power requirements</b>	Supports a 1-cell, 4000-mAh battery (non-removable), USB charging

<b>Category</b>	<b>Description</b>
	Supports a 5-V/2-A AC adapter with DC plug and localized cable plug support
<b>Operating system</b>	<b>Preinstalled:</b> Microsoft Windows 8.1
<b>Serviceability</b>	<b>End user replaceable part:</b> AC adapter and USB cable




## 2 External component identification



<b>Item</b>	<b>Description</b>	<b>Item</b>	<b>Description</b>
<b>(1)</b>	Rear-facing webcam	<b>(6)</b>	Volume up button
<b>(2)</b>	Micro USB 2.0 port	<b>(7)</b>	Volume down button
<b>(3)</b>	Audio-out (headphone)/Audio-in (microphone) jack	<b>(8)</b>	Micro SD Card Reader slot
<b>(4)</b>	Front-facing webcam	<b>(9)</b>	Windows button
<b>(5)</b>	Power button	<b>(10)</b>	Speakers (2)

## 3 Illustrated parts catalog

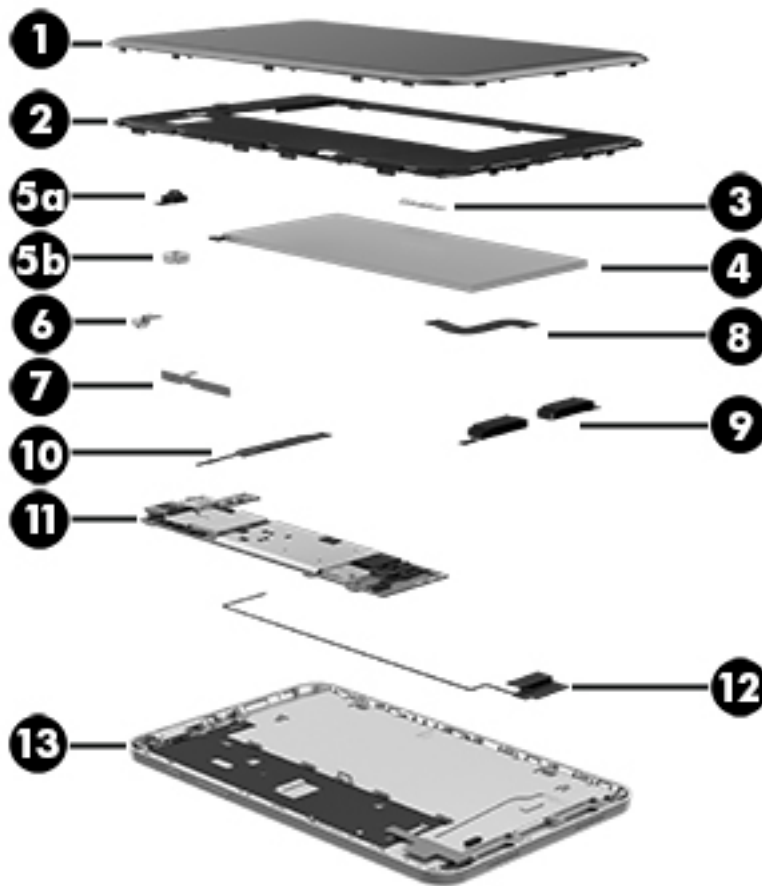
 **NOTE:** HP continually improves and changes product parts. For complete and current information on supported parts for your tablet, go to <http://partsurfer.hp.com>, select your country or region, and then follow the on-screen instructions.

### Locating the model number, product number, and serial number

The tablet model number **(1)**, product number **(2)**, and serial number **(3)** are located on the tablet back cover. This information may be needed when travelling internationally or when contacting support.



## Tablet major components



Item	Component	Spare part number
(1)	<b>Back cover</b>	796809-001
(2)	<b>Middle frame:</b>	
	For use on HP Stream 8 Tablet 59xx models	796810-002
	For use on HP Stream 8 Tablet 58xx models	796810-001
(3)	<b>3G antenna board</b> (for use only on HP Stream 8 Tablet 59xx models; includes double-sided adhesive)	796813-001
(4)	<b>Battery</b> , 4000-mAh, USB-charging (includes cable and double-sided adhesive)	795066-001
(5a)	<b>Rear-facing webcam</b> (5.0-MP, auto-focus; includes cable and double-sided adhesive)	796815-001
(5b)	<b>Rear-facing webcam bracket</b>	796816-001
(6)	<b>Front-facing webcam</b> (2.0-MP, fixed-focus; includes cable)	796814-001
	<b>Front-facing webcam shield</b> (not illustrated)	796817-001
(7)	<b>Button board</b> (includes cable, power button actuator, and volume button actuators)	800024-001
(8)	<b>Display panel cable</b>	796819-001
(9)	<b>Speakers</b> (include left and right speakers and cables)	796818-001

Item	Component	Spare part number
(10)	<b>WLAN antenna</b> (includes cable, transceiver, and double-sided adhesive)	796822-001
(11)	<b>System board</b> equipped with an Intel Z3735G 1.30-GHz (1.80-GHz burst mode) quad core processor, a graphics subsystem with UMA memory, 1.0-GB of system memory, 32-GB eMMC storage, and the Microsoft Windows 8.1 operating system:	
	For use on HP Stream 8 Tablet 59xx models in Asia Pacific countries and regions (includes 3G connectivity)	796812-371
	For use on HP Stream 8 Tablet 59xx models in Europe, the Middle East, and Africa (includes 3G connectivity)	796812-021
	For use on HP Stream 8 Tablet 59xx models in Latin America (includes 3G connectivity)	796812-161
	For use on HP Stream 8 Tablet 59xx models in North America (includes 3G connectivity)	796812-001
	For use on HP Stream 8 Tablet 59xx models in the People's Republic of China (includes 3G connectivity)	796812-AA1
	For use on HP Stream 8 Tablet 58xx models in Asia Pacific countries and regions (includes Wi-Fi connectivity)	799858-371
	For use on HP Stream 8 Tablet 58xx models in North America (includes Wi-Fi connectivity)	799858-001
	For use on HP Stream 8 Tablet 58xx models in the People's Republic of China (includes Wi-Fi connectivity)	799858-AA1
(12)	<b>WWAN antenna</b> (includes cable, transceiver, and double-sided adhesive)	796823-001
(13)	<b>Display panel assembly</b> , 8.0-in (1280×800), AG, IPS, LED, multi-touch, wide-viewing angle, 5-point capacitive, auto-rotate (selectable), tempered-glass, backlit, TouchScreen (includes bezel and TouchScreen cable)	796811-001

## Miscellaneous parts

Component	Spare part number
<b>5-V / 2-A AC adapter:</b>	
For use in Australia	757043-001
For use in Europe	747779-001
For use in India	757282-001
For use in North America	745229-001
For use in the People's Republic of China	757280-001
For use in the United Kingdom	747780-001
<b>HP Stream 8 Tablet 59xx</b> model equipped with a 8.0-in (1280×800), AG, IPS, LED, multi-touch, wide-viewing angle, 5-point capacitive, auto-rotate (selectable), tempered-glass, backlit, TouchScreen display panel, an Intel Z3735G 1.30-GHz (1.80-GHz burst mode) quad core processor, a graphics subsystem with UMA memory, 1.0-GB of system memory, 32-GB eMMC storage, 3G connectivity, and the Microsoft Windows 8.1 operating system:	
For use in the Adriatics region (English with multiple local languages)	794636-F81
For use in Africa (English with multiple local languages)	794636-DE1
For use in Asia Pacific countries and regions	794636-371
For use in the Baltic region (English with multiple local languages)	794636-DT1

<b>Component</b>	<b>Spare part number</b>
For use in Belgium	794636-A41
For use in Bulgaria	794636-261
For use in Canada	794636-DB1
For use in the Czech Republic and Slovakia	794636-FL1
For use in Denmark, Finland, and Norway	794636-DH1
For use in Europe, the Middle East, and Africa	794636-021
For use in France	794636-051
For use in Germany	794636-041
For use in Greece	794636-151
For use in Hong Kong	794636-AC1
For use in Hungary	794636-211
For use in Israel	794636-BB1
For use in Italy	794636-061
For use in Latin America	794636-161
For use in the Netherlands	794636-331
For use in North America	794636-001
For use in the People's Republic of China	794636-AA1
For use in Poland	794636-241
For use in Portugal	794636-131
For use in Romania	794636-271
For use in Russia	794636-251
For use in Saudi Arabia	794636-DL1
For use in Singapore	794636-AF1
For use in South Korea	794636-AD1
For use in Spain	794636-071
For use in Switzerland	794636-BG1
For use in the United Kingdom	794636-031
<b>HP Stream 8 Tablet 58xx</b> model equipped with a 8.0-in (1280×800), AG, IPS, LED, multi-touch, wide-viewing angle, 5-point capacitive, auto-rotate (selectable), tempered-glass, backlit, TouchScreen display panel, an Intel Z3735G 1.30-GHz (1.80-GHz burst mode) quad core processor, a graphics subsystem with UMA memory, 1.0-GB of system memory, 32-GB eMMC storage, Wi-Fi connectivity, and the Microsoft Windows 8.1 operating system:	
For use in Asia Pacific countries and regions	794635-371
For use in Canada	794635-DB1
For use in North America	794635-001
For use in the People's Republic of China	794635-AA1

Component	Spare part number
Screw Kit	796824-001
USB extension cable	745230-001

## Sequential part number listing

Spare part number	Description
745229-001	5-V / 2-A AC adapter for use in North America
745230-001	USB extension cable
747779-001	5-V / 2-A AC adapter for use in Europe
747780-001	5-V / 2-A AC adapter for use in the United Kingdom
757043-001	5-V / 2-A AC adapter for use in Australia
757280-001	5-V / 2-A AC adapter for use in the People's Republic of China
757282-001	5-V / 2-A AC adapter for use in India
794635-001	HP Stream 8 Tablet 58xx model equipped with a 8.0-in (1280×800), AG, IPS, LED, multi-touch, wide-viewing angle, 5-point capacitive, auto-rotate (selectable), tempered-glass, backlit, TouchScreen display panel, an Intel Z3735G 1.30-GHz (1.80-GHz burst mode) quad core processor, a graphics subsystem with UMA memory, 1.0-GB of system memory, 32-GB eMMC storage, Wi-Fi connectivity, and the Microsoft Windows 8.1 operating system for use in North America
794635-371	HP Stream 8 Tablet 58xx model equipped with a 8.0-in (1280×800), AG, IPS, LED, multi-touch, wide-viewing angle, 5-point capacitive, auto-rotate (selectable), tempered-glass, backlit, TouchScreen display panel, an Intel Z3735G 1.30-GHz (1.80-GHz burst mode) quad core processor, a graphics subsystem with UMA memory, 1.0-GB of system memory, 32-GB eMMC storage, Wi-Fi connectivity, and the Microsoft Windows 8.1 operating system for use in Asia Pacific countries and regions
794635-AA1	HP Stream 8 Tablet 58xx model equipped with a 8.0-in (1280×800), AG, IPS, LED, multi-touch, wide-viewing angle, 5-point capacitive, auto-rotate (selectable), tempered-glass, backlit, TouchScreen display panel, an Intel Z3735G 1.30-GHz (1.80-GHz burst mode) quad core processor, a graphics subsystem with UMA memory, 1.0-GB of system memory, 32-GB eMMC storage, Wi-Fi connectivity, and the Microsoft Windows 8.1 operating system for use in the People's Republic of China
794635-DB1	HP Stream 8 Tablet 58xx model equipped with a 8.0-in (1280×800), AG, IPS, LED, multi-touch, wide-viewing angle, 5-point capacitive, auto-rotate (selectable), tempered-glass, backlit, TouchScreen display panel, an Intel Z3735G 1.30-GHz (1.80-GHz burst mode) quad core processor, a graphics subsystem with UMA memory, 1.0-GB of system memory, 32-GB eMMC storage, Wi-Fi connectivity, and the Microsoft Windows 8.1 operating system for use in Canada
794636-001	HP Stream 8 Tablet 59xx model equipped with a 8.0-in (1280×800), AG, IPS, LED, multi-touch, wide-viewing angle, 5-point capacitive, auto-rotate (selectable), tempered-glass, backlit, TouchScreen display panel, an Intel Z3735G 1.30-GHz (1.80-GHz burst mode) quad core processor, a graphics subsystem with UMA memory, 1.0-GB of system memory, 32-GB eMMC storage, 3G connectivity, and the Microsoft Windows 8.1 operating system for use in North America
794636-021	HP Stream 8 Tablet 59xx model equipped with a 8.0-in (1280×800), AG, IPS, LED, multi-touch, wide-viewing angle, 5-point capacitive, auto-rotate (selectable), tempered-glass, backlit, TouchScreen display panel, an Intel Z3735G 1.30-GHz (1.80-GHz burst mode) quad core processor, a graphics subsystem with UMA memory, 1.0-GB of system memory, 32-GB eMMC storage, 3G connectivity, and the Microsoft Windows 8.1 operating system for use in Europe, the Middle East, and Africa
794636-031	HP Stream 8 Tablet 59xx model equipped with a 8.0-in (1280×800), AG, IPS, LED, multi-touch, wide-viewing angle, 5-point capacitive, auto-rotate (selectable), tempered-glass, backlit, TouchScreen display panel, an Intel Z3735G 1.30-GHz (1.80-GHz burst mode) quad core processor, a graphics subsystem with

<b>Spare part number</b>	<b>Description</b>
	UMA memory, 1.0-GB of system memory, 32-GB eMMC storage, 3G connectivity, and the Microsoft Windows 8.1 operating system for use in the United Kingdom
794636-041	HP Stream 8 Tablet 59xx model equipped with a 8.0-in (1280×800), AG, IPS, LED, multi-touch, wide-viewing angle, 5-point capacitive, auto-rotate (selectable), tempered-glass, backlit, TouchScreen display panel, an Intel Z3735G 1.30-GHz (1.80-GHz burst mode) quad core processor, a graphics subsystem with UMA memory, 1.0-GB of system memory, 32-GB eMMC storage, 3G connectivity, and the Microsoft Windows 8.1 operating system for use in Germany
794636-051	HP Stream 8 Tablet 59xx model equipped with a 8.0-in (1280×800), AG, IPS, LED, multi-touch, wide-viewing angle, 5-point capacitive, auto-rotate (selectable), tempered-glass, backlit, TouchScreen display panel, an Intel Z3735G 1.30-GHz (1.80-GHz burst mode) quad core processor, a graphics subsystem with UMA memory, 1.0-GB of system memory, 32-GB eMMC storage, 3G connectivity, and the Microsoft Windows 8.1 operating system for use in France
794636-061	HP Stream 8 Tablet 59xx model equipped with a 8.0-in (1280×800), AG, IPS, LED, multi-touch, wide-viewing angle, 5-point capacitive, auto-rotate (selectable), tempered-glass, backlit, TouchScreen display panel, an Intel Z3735G 1.30-GHz (1.80-GHz burst mode) quad core processor, a graphics subsystem with UMA memory, 1.0-GB of system memory, 32-GB eMMC storage, 3G connectivity, and the the Microsoft Windows 8.1 operating system for use in Italy
794636-071	HP Stream 8 Tablet 59xx model equipped with a 8.0-in (1280×800), AG, IPS, LED, multi-touch, wide-viewing angle, 5-point capacitive, auto-rotate (selectable), tempered-glass, backlit, TouchScreen display panel, an Intel Z3735G 1.30-GHz (1.80-GHz burst mode) quad core processor, a graphics subsystem with UMA memory, 1.0-GB of system memory, 32-GB eMMC storage, 3G connectivity, and the Microsoft Windows 8.1 operating system for use in Spain
794636-131	HP Stream 8 Tablet 59xx model equipped with a 8.0-in (1280×800), AG, IPS, LED, multi-touch, wide-viewing angle, 5-point capacitive, auto-rotate (selectable), tempered-glass, backlit, TouchScreen display panel, an Intel Z3735G 1.30-GHz (1.80-GHz burst mode) quad core processor, a graphics subsystem with UMA memory, 1.0-GB of system memory, 32-GB eMMC storage, 3G connectivity, and the Microsoft Windows 8.1 operating system for use in Portugal
794636-151	HP Stream 8 Tablet 59xx model equipped with a 8.0-in (1280×800), AG, IPS, LED, multi-touch, wide-viewing angle, 5-point capacitive, auto-rotate (selectable), tempered-glass, backlit, TouchScreen display panel, an Intel Z3735G 1.30-GHz (1.80-GHz burst mode) quad core processor, a graphics subsystem with UMA memory, 1.0-GB of system memory, 32-GB eMMC storage, 3G connectivity, and the Microsoft Windows 8.1 operating system for use in Greece
794636-161	HP Stream 8 Tablet 59xx model equipped with a 8.0-in (1280×800), AG, IPS, LED, multi-touch, wide-viewing angle, 5-point capacitive, auto-rotate (selectable), tempered-glass, backlit, TouchScreen display panel, an Intel Z3735G 1.30-GHz (1.80-GHz burst mode) quad core processor, a graphics subsystem with UMA memory, 1.0-GB of system memory, 32-GB eMMC storage, 3G connectivity, and the Microsoft Windows 8.1 operating system for use in Latin America
794636-211	HP Stream 8 Tablet 59xx model equipped with a 8.0-in (1280×800), AG, IPS, LED, multi-touch, wide-viewing angle, 5-point capacitive, auto-rotate (selectable), tempered-glass, backlit, TouchScreen display panel, an Intel Z3735G 1.30-GHz (1.80-GHz burst mode) quad core processor, a graphics subsystem with UMA memory, 1.0-GB of system memory, 32-GB eMMC storage, 3G connectivity, and the Microsoft Windows 8.1 operating system for use in Hungary
794636-241	HP Stream 8 Tablet 59xx model equipped with a 8.0-in (1280×800), AG, IPS, LED, multi-touch, wide-viewing angle, 5-point capacitive, auto-rotate (selectable), tempered-glass, backlit, TouchScreen display panel, an Intel Z3735G 1.30-GHz (1.80-GHz burst mode) quad core processor, a graphics subsystem with UMA memory, 1.0-GB of system memory, 32-GB eMMC storage, 3G connectivity, and the Microsoft Windows 8.1 operating system for use in Poland
794636-251	HP Stream 8 Tablet 59xx model equipped with a 8.0-in (1280×800), AG, IPS, LED, multi-touch, wide-viewing angle, 5-point capacitive, auto-rotate (selectable), tempered-glass, backlit, TouchScreen display panel, an Intel Z3735G 1.30-GHz (1.80-GHz burst mode) quad core processor, a graphics subsystem with UMA memory, 1.0-GB of system memory, 32-GB eMMC storage, 3G connectivity, and the Microsoft Windows 8.1 operating system for use in Russia



<b>Spare part number</b>	<b>Description</b>
794636-261	HP Stream 8 Tablet 59xx model equipped with a 8.0-in (1280×800), AG, IPS, LED, multi-touch, wide-viewing angle, 5-point capacitive, auto-rotate (selectable), tempered-glass, backlit, TouchScreen display panel, an Intel Z3735G 1.30-GHz (1.80-GHz burst mode) quad core processor, a graphics subsystem with UMA memory, 1.0-GB of system memory, 32-GB eMMC storage, 3G connectivity, and the Microsoft Windows 8.1 operating system for use in Bulgaria
794636-271	HP Stream 8 Tablet 59xx model equipped with a 8.0-in (1280×800), AG, IPS, LED, multi-touch, wide-viewing angle, 5-point capacitive, auto-rotate (selectable), tempered-glass, backlit, TouchScreen display panel, an Intel Z3735G 1.30-GHz (1.80-GHz burst mode) quad core processor, a graphics subsystem with UMA memory, 1.0-GB of system memory, 32-GB eMMC storage, 3G connectivity, and the Microsoft Windows 8.1 operating system for use in Romania
794636-331	HP Stream 8 Tablet 59xx model equipped with a 8.0-in (1280×800), AG, IPS, LED, multi-touch, wide-viewing angle, 5-point capacitive, auto-rotate (selectable), tempered-glass, backlit, TouchScreen display panel, an Intel Z3735G 1.30-GHz (1.80-GHz burst mode) quad core processor, a graphics subsystem with UMA memory, 1.0-GB of system memory, 32-GB eMMC storage, 3G connectivity, and the Microsoft Windows 8.1 operating system for use in the Netherlands
794636-371	HP Stream 8 Tablet 59xx model equipped with a 8.0-in (1280×800), AG, IPS, LED, multi-touch, wide-viewing angle, 5-point capacitive, auto-rotate (selectable), tempered-glass, backlit, TouchScreen display panel, an Intel Z3735G 1.30-GHz (1.80-GHz burst mode) quad core processor, a graphics subsystem with UMA memory, 1.0-GB of system memory, 32-GB eMMC storage, 3G connectivity, and the Microsoft Windows 8.1 operating system for use in Asia Pacific countries and regions
794636-A41	HP Stream 8 Tablet 59xx model equipped with a 8.0-in (1280×800), AG, IPS, LED, multi-touch, wide-viewing angle, 5-point capacitive, auto-rotate (selectable), tempered-glass, backlit, TouchScreen display panel, an Intel Z3735G 1.30-GHz (1.80-GHz burst mode) quad core processor, a graphics subsystem with UMA memory, 1.0-GB of system memory, 32-GB eMMC storage, 3G connectivity, and the Microsoft Windows 8.1 operating system for use in Belgium
794636-AA1	HP Stream 8 Tablet 59xx model equipped with a 8.0-in (1280×800), AG, IPS, LED, multi-touch, wide-viewing angle, 5-point capacitive, auto-rotate (selectable), tempered-glass, backlit, TouchScreen display panel, an Intel Z3735G 1.30-GHz (1.80-GHz burst mode) quad core processor, a graphics subsystem with UMA memory, 1.0-GB of system memory, 32-GB eMMC storage, 3G connectivity, and the Microsoft Windows 8.1 operating system for use in the People's Republic of China
794636-AC1	HP Stream 8 Tablet 59xx model equipped with a 8.0-in (1280×800), AG, IPS, LED, multi-touch, wide-viewing angle, 5-point capacitive, auto-rotate (selectable), tempered-glass, backlit, TouchScreen display panel, an Intel Z3735G 1.30-GHz (1.80-GHz burst mode) quad core processor, a graphics subsystem with UMA memory, 1.0-GB of system memory, 32-GB eMMC storage, 3G connectivity, and the Microsoft Windows 8.1 operating system for use in Hong Kong
794636-AD1	HP Stream 8 Tablet 59xx model equipped with a 8.0-in (1280×800), AG, IPS, LED, multi-touch, wide-viewing angle, 5-point capacitive, auto-rotate (selectable), tempered-glass, backlit, TouchScreen display panel, an Intel Z3735G 1.30-GHz (1.80-GHz burst mode) quad core processor, a graphics subsystem with UMA memory, 1.0-GB of system memory, 32-GB eMMC storage, 3G connectivity, and the Microsoft Windows 8.1 operating system for use in South Korea
794636-AF1	HP Stream 8 Tablet 59xx model equipped with a 8.0-in (1280×800), AG, IPS, LED, multi-touch, wide-viewing angle, 5-point capacitive, auto-rotate (selectable), tempered-glass, backlit, TouchScreen display panel, an Intel Z3735G 1.30-GHz (1.80-GHz burst mode) quad core processor, a graphics subsystem with UMA memory, 1.0-GB of system memory, 32-GB eMMC storage, 3G connectivity, and the Microsoft Windows 8.1 operating system for use in Singapore
794636-BB1	HP Stream 8 Tablet 59xx model equipped with a 8.0-in (1280×800), AG, IPS, LED, multi-touch, wide-viewing angle, 5-point capacitive, auto-rotate (selectable), tempered-glass, backlit, TouchScreen display panel, an Intel Z3735G 1.30-GHz (1.80-GHz burst mode) quad core processor, a graphics subsystem with UMA memory, 1.0-GB of system memory, 32-GB eMMC storage, 3G connectivity, and the Microsoft Windows 8.1 operating system for use in Israel
794636-BG1	HP Stream 8 Tablet 59xx model equipped with a 8.0-in (1280×800), AG, IPS, LED, multi-touch, wide-viewing angle, 5-point capacitive, auto-rotate (selectable), tempered-glass, backlit, TouchScreen display panel, an Intel Z3735G 1.30-GHz (1.80-GHz burst mode) quad core processor, a graphics subsystem with

Spare part number	Description
	UMA memory, 1.0-GB of system memory, 32-GB eMMC storage, 3G connectivity, and the Microsoft Windows 8.1 operating system for use in Switzerland
794636-DB1	HP Stream 8 Tablet 59xx model equipped with a 8.0-in (1280×800), AG, IPS, LED, multi-touch, wide-viewing angle, 5-point capacitive, auto-rotate (selectable), tempered-glass, backlit, TouchScreen display panel, an Intel Z3735G 1.30-GHz (1.80-GHz burst mode) quad core processor, a graphics subsystem with UMA memory, 1.0-GB of system memory, 32-GB eMMC storage, 3G connectivity, and the Microsoft Windows 8.1 operating system for use in Canada
794636-DE1	HP Stream 8 Tablet 59xx model equipped with a 8.0-in (1280×800), AG, IPS, LED, multi-touch, wide-viewing angle, 5-point capacitive, auto-rotate (selectable), tempered-glass, backlit, TouchScreen display panel, an Intel Z3735G 1.30-GHz (1.80-GHz burst mode) quad core processor, a graphics subsystem with UMA memory, 1.0-GB of system memory, 32-GB eMMC storage, 3G connectivity, and the Microsoft Windows 8.1 operating system for use in Africa (English with multiple local languages)
794636-DH1	HP Stream 8 Tablet 59xx model equipped with a 8.0-in (1280×800), AG, IPS, LED, multi-touch, wide-viewing angle, 5-point capacitive, auto-rotate (selectable), tempered-glass, backlit, TouchScreen display panel, an Intel Z3735G 1.30-GHz (1.80-GHz burst mode) quad core processor, a graphics subsystem with UMA memory, 1.0-GB of system memory, 32-GB eMMC storage, 3G connectivity, and the Microsoft Windows 8.1 operating system for use in Denmark, Finland, and Norway)
794636-DL1	HP Stream 8 Tablet 59xx model equipped with a 8.0-in (1280×800), AG, IPS, LED, multi-touch, wide-viewing angle, 5-point capacitive, auto-rotate (selectable), tempered-glass, backlit, TouchScreen display panel, an Intel Z3735G 1.30-GHz (1.80-GHz burst mode) quad core processor, a graphics subsystem with UMA memory, 1.0-GB of system memory, 32-GB eMMC storage, 3G connectivity, and the Microsoft Windows 8.1 operating system for use in Saudi Arabia
794636-DT1	HP Stream 8 Tablet 59xx model equipped with a 8.0-in (1280×800), AG, IPS, LED, multi-touch, wide-viewing angle, 5-point capacitive, auto-rotate (selectable), tempered-glass, backlit, TouchScreen display panel, an Intel Z3735G 1.30-GHz (1.80-GHz burst mode) quad core processor, a graphics subsystem with UMA memory, 1.0-GB of system memory, 32-GB eMMC storage, 3G connectivity, and the Microsoft Windows 8.1 operating system for use in the Baltics region (English with multiple local languages)
794636-F81	HP Stream 8 Tablet 59xx model equipped with a 8.0-in (1280×800), AG, IPS, LED, multi-touch, wide-viewing angle, 5-point capacitive, auto-rotate (selectable), tempered-glass, backlit, TouchScreen display panel, an Intel Z3735G 1.30-GHz (1.80-GHz burst mode) quad core processor, a graphics subsystem with UMA memory, 1.0-GB of system memory, 32-GB eMMC storage, 3G connectivity, and the Microsoft Windows 8.1 operating system for use in the Adriatics region (English with multiple local languages)
794636-FL1	HP Stream 8 Tablet 59xx model equipped with a 8.0-in (1280×800), AG, IPS, LED, multi-touch, wide-viewing angle, 5-point capacitive, auto-rotate (selectable), tempered-glass, backlit, TouchScreen display panel, an Intel Z3735G 1.30-GHz (1.80-GHz burst mode) quad core processor, a graphics subsystem with UMA memory, 1.0-GB of system memory, 32-GB eMMC storage, 3G connectivity, and the Microsoft Windows 8.1 operating system for use in the Czech Republic and Slovakia
795066-001	Battery (4000-mAh, USB-charging and double-sided adhesive)
796809-001	Back cover
796810-001	Middle frame for use on HP Stream 8 Tablet 58xx models
796810-002	Middle frame for use on HP Stream 8 Tablet 59xx models
796811-001	Display panel assembly (8.0-in (1280×800), AG, IPS, LED, multi-touch, wide-viewing angle, 5-point capacitive, auto-rotate (selectable), tempered-glass, backlit, TouchScreen)
796812-001	System board equipped with an Intel Z3735G 1.30-GHz (1.80-GHz burst mode) quad core processor, a graphics subsystem with UMA memory, 1.0-GB of system memory, 32-GB eMMC storage, 3G connectivity, and the Microsoft Windows 8.1 operating system for use on HP Stream 8 Tablet 59xx models in North America
796812-021	System board equipped with an Intel Z3735G 1.30-GHz (1.80-GHz burst mode) quad core processor, a graphics subsystem with UMA memory, 1.0-GB of system memory, 32-GB eMMC storage, 3G connectivity, and the Microsoft Windows 8.1 operating system for use on HP Stream 8 Tablet 59xx models in Europe, the Middle East, and Africa

<b>Spare part number</b>	<b>Description</b>
796812-161	System board equipped with an Intel Z3735G 1.30-GHz (1.80-GHz burst mode) quad core processor, a graphics subsystem with UMA memory, 1.0-GB of system memory, 32-GB eMMC storage, 3G connectivity, and the Microsoft Windows 8.1 operating system for use on HP Stream 8 Tablet 59xx models in Latin America
796812-371	System board equipped with an Intel Z3735G 1.30-GHz (1.80-GHz burst mode) quad core processor, a graphics subsystem with UMA memory, 1.0-GB of system memory, 32-GB eMMC storage, 3G connectivity, and the Microsoft Windows 8.1 operating system for use on HP Stream 8 Tablet 59xx models in Asia Pacific countries and regions
796812-AA1	System board equipped with an Intel Z3735G 1.30-GHz (1.80-GHz burst mode) quad core processor, a graphics subsystem with UMA memory, 1.0-GB of system memory, 32-GB eMMC storage, 3G connectivity, and the Microsoft Windows 8.1 operating system for use on HP Stream 8 Tablet 58xx models in the People's Republic of China
796813-001	3G antenna board (for use only on HP Stream 8 Tablet 59xx models; includes double-sided adhesive)
796814-001	2.0-MP, fixed-focus, front-facing webcam (includes cable)
796815-001	5.0-MP, auto-focus, rear-facing webcam (includes cable and double-sided adhesive)
796816-001	Rear-facing webcam bracket
796817-001	Front-facing webcam shield
796818-001	Speakers (includes left and right speakers and cables)
796819-001	Display panel cable
796820-001	Side key cable
796821-001	3G antenna cable
796822-001	WLAN antenna (includes cable and transceiver)
796823-001	WWAN antenna (includes cable, transceiver, and double-sided adhesive)
796824-001	Screw Kit
799858-001	System board equipped with an Intel Z3735G 1.30-GHz (1.80-GHz burst mode) quad core processor, a graphics subsystem with UMA memory, 1.0-GB of system memory, 32-GB eMMC storage, Wi-Fi connectivity, and the Microsoft Windows 8.1 operating system for use on HP Stream 8 Tablet 58xx models in North America
799858-371	System board equipped with an Intel Z3735G 1.30-GHz (1.80-GHz burst mode) quad core processor, a graphics subsystem with UMA memory, 1.0-GB of system memory, 32-GB eMMC storage, Wi-Fi connectivity, and the Microsoft Windows 8.1 operating system for use on HP Stream 8 Tablet 58xx models in Asia Pacific countries and regions
799858-AA1	System board equipped with an Intel Z3735G 1.30-GHz (1.80-GHz burst mode) quad core processor, a graphics subsystem with UMA memory, 1.0-GB of system memory, 32-GB eMMC storage, Wi-Fi connectivity, and the Microsoft Windows 8.1 operating system for use on HP Stream 8 Tablet 58xx models in the People's Republic of China
800024-001	Button board (includes cable, power button actuator, and volume button actuators)
800025-001	Volume button board

---

# 4 Removal and replacement preliminary requirements

## Tools required


You will need the following tools to complete the removal and replacement procedures:

- Magnetic screw driver
- Phillips P0 screw driver
- Plastic case utility tool

## Service considerations

The following sections include some of the considerations that you must keep in mind during disassembly and assembly procedures.


---

 **NOTE:** As you remove each subassembly from the tablet, place the subassembly (and all accompanying screws) away from the work area to prevent damage.

---

## Plastic parts


---

 **CAUTION:** Using excessive force during disassembly and reassembly can damage plastic parts. Use care when handling the plastic parts. Apply pressure only at the points designated in the maintenance instructions.

---

## Cables and connectors

---

 **CAUTION:** When servicing the tablet, be sure that cables are placed in their proper locations during the reassembly process. Improper cable placement can damage the tablet.

---

Cables must be handled with extreme care to avoid damage. Apply only the tension required to unseat or seat the cables during removal and insertion. Handle cables by the connector whenever possible. In all cases, avoid bending, twisting, or tearing cables. Be sure that cables are routed in such a way that they cannot be caught or snagged by parts being removed or replaced. Handle flex cables with extreme care; these cables tear easily.

# Grounding guidelines

## Electrostatic discharge damage

Electronic components are sensitive to electrostatic discharge (ESD). Circuitry design and structure determine the degree of sensitivity. Networks built into many integrated circuits provide some protection, but in many cases, ESD contains enough power to alter device parameters or melt silicon junctions.

A discharge of static electricity from a finger or other conductor can destroy static-sensitive devices or microcircuitry. Even if the spark is neither felt nor heard, damage may have occurred.

An electronic device exposed to ESD may not be affected at all and can work perfectly throughout a normal cycle. Or the device may function normally for a while, then degrade in the internal layers, reducing its life expectancy.

**⚠ CAUTION:** To prevent damage to the tablet when you are removing or installing internal components, observe these precautions:

Keep components in their electrostatic-safe containers until you are ready to install them.

Before touching an electronic component, discharge static electricity by using the guidelines described in this section.

Avoid touching pins, leads, and circuitry. Handle electronic components as little as possible.

If you remove a component, place it in an electrostatic-safe container.

The following table shows how humidity affects the electrostatic voltage levels generated by different activities.

**⚠ CAUTION:** A product can be degraded by as little as 700 V.

Typical electrostatic voltage levels			
Event	Relative humidity		
	10%	40%	55%
Walking across carpet	35,000 V	15,000 V	7,500 V
Walking across vinyl floor	12,000 V	5,000 V	3,000 V
Motions of bench worker	6,000 V	800 V	400 V
Removing DIPs from plastic tube	2,000 V	700 V	400 V
Removing DIPs from vinyl tray	11,500 V	4,000 V	2,000 V
Removing DIPs from Styrofoam	14,500 V	5,000 V	3,500 V
Removing bubble pack from PCB	26,500 V	20,000 V	7,000 V
Packing PCBs in foam-lined box	21,000 V	11,000 V	5,000 V

## Packaging and transporting guidelines

Follow these grounding guidelines when packaging and transporting equipment:

- To avoid hand contact, transport products in static-safe tubes, bags, or boxes.
- Protect ESD-sensitive parts and assemblies with conductive or approved containers or packaging.
- Keep ESD-sensitive parts in their containers until the parts arrive at static-free workstations.
- Place items on a grounded surface before removing items from their containers.
- Always be properly grounded when touching a component or assembly.
- Store reusable ESD-sensitive parts from assemblies in protective packaging or nonconductive foam.
- Use transporters and conveyors made of antistatic belts and roller bushings. Be sure that mechanized equipment used for moving materials is wired to ground and that proper materials are selected to avoid static charging. When grounding is not possible, use an ionizer to dissipate electric charges.

## Workstation guidelines

Follow these grounding workstation guidelines:

- Cover the workstation with approved static-shielding material.
- Use a wrist strap connected to a properly grounded work surface and use properly grounded tools and equipment.
- Use conductive field service tools, such as cutters, screw drivers, and vacuums.
- When fixtures must directly contact dissipative surfaces, use fixtures made only of static-safe materials.
- Keep the work area free of nonconductive materials, such as ordinary plastic assembly aids and Styrofoam.
- Handle ESD-sensitive components, parts, and assemblies by the case or PCM laminate. Handle these items only at static-free workstations.
- Avoid contact with pins, leads, or circuitry.
- Turn off power and input signals before inserting or removing connectors or test equipment.

## Equipment guidelines

Grounding equipment must include either a wrist strap or a foot strap at a grounded workstation.

- When seated, wear a wrist strap connected to a grounded system. Wrist straps are flexible straps with a minimum of one megohm  $\pm 10\%$  resistance in the ground cords. To provide proper ground, wear a strap snugly against the skin at all times. On grounded mats with banana-plug connectors, use alligator clips to connect a wrist strap.
- When standing, use foot straps and a grounded floor mat. Foot straps (heel, toe, or boot straps) can be used at standing workstations and are compatible with most types of shoes or boots. On conductive floors or dissipative floor mats, use foot straps on both feet with a minimum of one megohm resistance between the operator and ground. To be effective, the conductive must be worn in contact with the skin.

The following grounding equipment is recommended to prevent electrostatic damage:

- Antistatic tape
- Antistatic smocks, aprons, and sleeve protectors
- Conductive bins and other assembly or soldering aids
- Nonconductive foam
- Conductive tabletop workstations with ground cords of one megohm resistance
- Static-dissipative tables or floor mats with hard ties to the ground
- Field service kits
- Static awareness labels
- Material-handling packages
- Nonconductive plastic bags, tubes, or boxes
- Metal tote boxes
- Electrostatic voltage levels and protective materials

The following table lists the shielding protection provided by antistatic bags and floor mats.

Material	Use	Voltage protection level
Antistatic plastics	Bags	1,500 V
Carbon-loaded plastic	Floor mats	7,500 V
Metallized laminate	Floor mats	5,000 V

# 5 Removal and replacement procedures

This chapter provides removal and replacement procedures for authorized service provider only parts.

**CAUTION:** Tablet components described in this chapter should only be accessed by an authorized service provider. Accessing these parts can damage the tablet and void the warranty.

**NOTE:** HP continually improves and changes product parts. For complete and current information on supported parts for your tablet, go to <http://partsurfer.hp.com>, select your country or region, and then follow the on-screen instructions.

## Tablet component replacement procedures

There are as many as 13 screws that must be removed, replaced, and/or loosened when servicing the tablet. Make special note of each screw size and location during removal and replacement.

### Back cover

Description	Spare part number
Back cover	796809-001
Display panel assembly, 8.0-in (1280×800), AG, IPS, LED, multi-touch, wide-viewing angle, 5-point capacitive, auto-rotate (selectable), tempered-glass, backlit, TouchScreen (includes bezel and TouchScreen cable)	796811-001

Before disassembling the tablet, follow these steps:

1. Turn off the tablet. If you are unsure whether the tablet is off or in Hibernation, turn the tablet on, and then shut it down through the operating system.
2. Disconnect the power from the tablet by unplugging the power cord from the tablet.
3. Disconnect all external devices from the tablet.

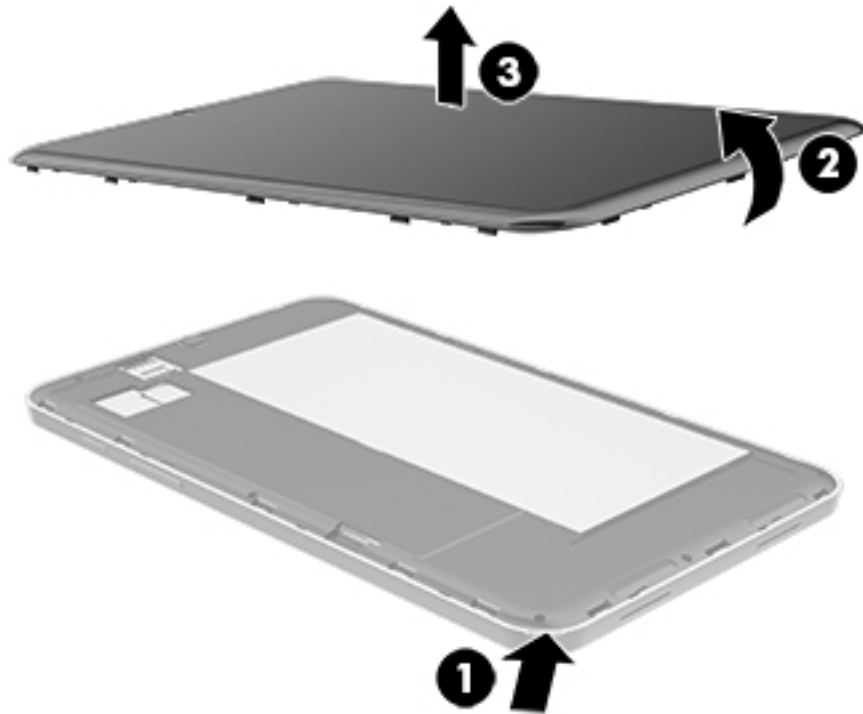
Remove the back cover:

**CAUTION:** Before turning the tablet upside down, make sure the work surface is clear of tools, screws, and any other foreign objects. Failure to follow this caution can result in damage to the display panel.

1. Place the tablet on a flat surface, display panel side down, with the power button toward you.
2. Use the finger notch **(1)** in the front left corner of the back cover to lift the front edge **(2)** of the back cover until it separates from the display panel assembly.



3. Remove the back cover (3).



Reverse this procedure to install the back cover.

## Middle frame

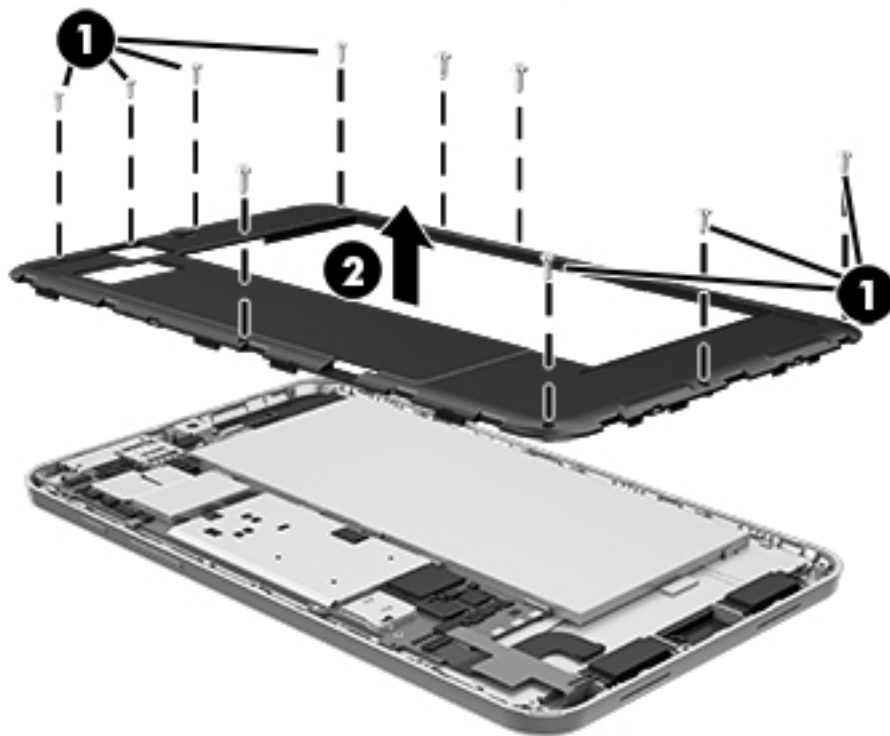
Description	Spare part number
For use on HP Stream 8 Tablet 59xx models	796810-002
For use on HP Stream 8 Tablet 58xx models	796810-001

Before removing the middle frame, follow these steps:

1. Turn off the tablet. If you are unsure whether the tablet is off or in Hibernation, turn the tablet on, and then shut it down through the operating system.
2. Disconnect the power from the tablet by unplugging the power cord from the tablet.
3. Disconnect all external devices from the tablet.
4. Remove the back cover (see [Back cover on page 18](#)).

Remove the middle frame:

1. Remove the ten Phillips PM1.3×4.5 screws **(1)** that secure the middle frame to the display panel assembly.
2. Remove the middle frame **(2)**.




Reverse this procedure to install the middle frame.


# Battery

Description	Spare part number
Battery, 4000-mAh, USB-charging, (includes cable and double-sided adhesive)	795066-001

Before removing the battery, follow these steps:

1. Turn off the tablet. If you are unsure whether the tablet is off or in Hibernation, turn the tablet on, and then shut it down through the operating system.
2. Disconnect the power from the tablet by unplugging the power cord from the tablet.
3. Disconnect all external devices from the tablet.
4. Remove the back cover (see [Back cover on page 18](#)).

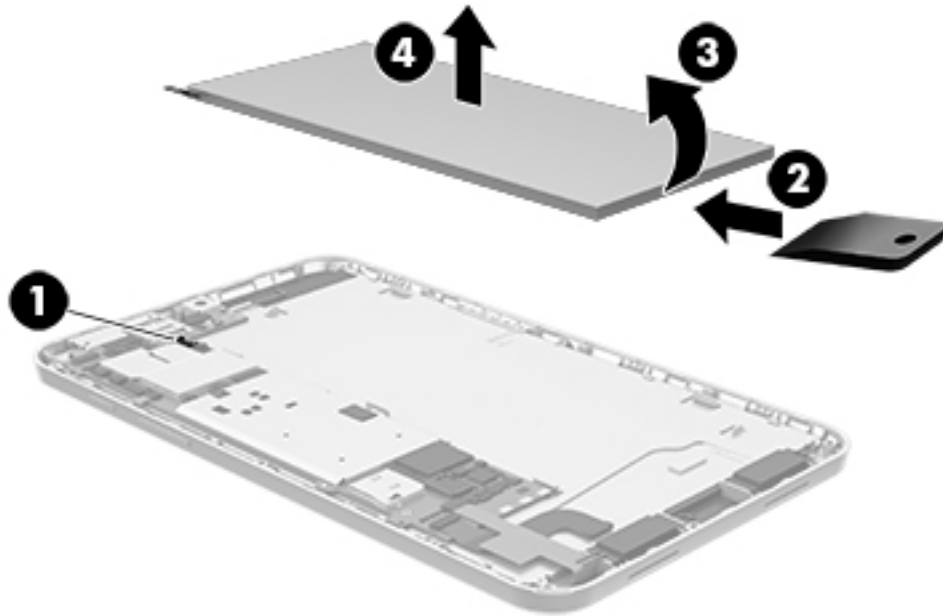
 **WARNING!** To reduce potential safety issues, use only the battery provided with the tablet, a replacement battery provided by HP, or a compatible battery purchased from HP.

 **CAUTION:** Removing a battery that is the sole power source for the tablet can cause loss of information. To prevent loss of information, save your work or shut down the tablet through Windows before removing the battery.

Remove the battery:

1. Disconnect the battery cable **(1)** from the system board.
2. Use a case utility tool **(2)** or similar thin plastic tool to detach the battery **(3)** from the display panel assembly. (The battery is attached to the display panel assembly with double-sided adhesive.)

3. Remove the battery (4).



Reverse this procedure to install the battery.

## 3G antenna board



**NOTE:** This section applies only to HP Stream 8 Tablet 59xx models.

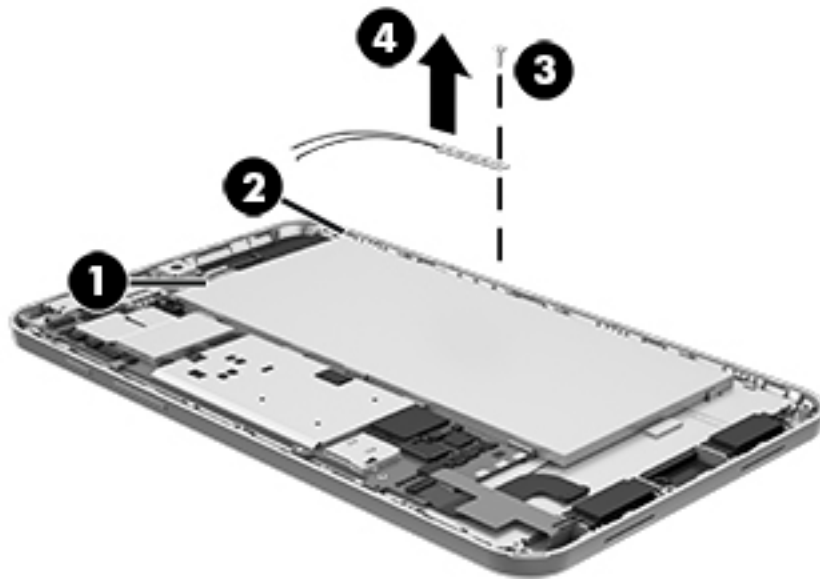
Description	Spare part number
3G antenna board	796813-001

Before removing the 3G antenna board, follow these steps:

1. Shut down the tablet. If you are unsure whether the tablet is off or in Hibernation, turn the tablet on, and then shut it down through the operating system.
2. Disconnect all external devices connected to the tablet.
3. Disconnect the power from the tablet by first unplugging the power cord from the AC outlet and then unplugging the AC adapter from the tablet.
4. Remove the back cover (see [Back cover on page 18](#)).
5. Remove the middle frame (see [Middle frame on page 20](#)).
6. Disconnect the battery cable from the system board (see [Battery on page 21](#)).

Remove the 3G antenna board:

1. Disconnect the 3G antenna cables **(1)** from the system board 3G terminals.
2. Release the 3G antenna cable from the retention clip **(2)** built into the display panel assembly.
3. Remove the Phillips PM1.3×2.4 screw **(3)** that secures the 3G antenna board to the display panel assembly.
4. Detach the 3G antenna board **(4)** from the display panel assembly. (The 3G antenna board is attached to the display panel assembly with double-sided adhesive.)



5. Remove the 3G antenna board and cables.
- Reverse this procedure to install the 3G antenna board.

## Rear-facing webcam

Description	Spare part number
Rear-facing webcam (5.0-MP, auto-focus)	796815-001

Before removing the rear-facing webcam, follow these steps:

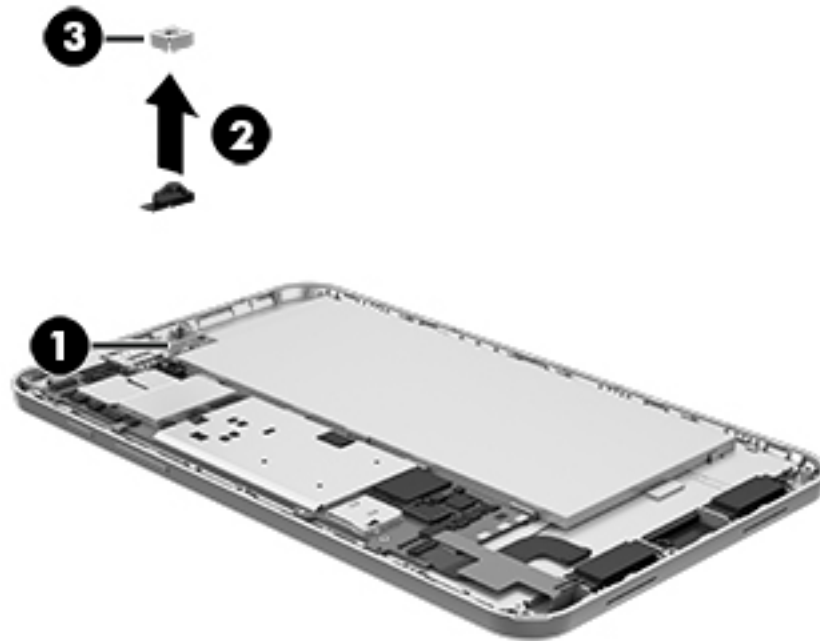
1. Shut down the tablet. If you are unsure whether the tablet is off or in Hibernation, turn the tablet on, and then shut it down through the operating system.
2. Disconnect all external devices connected to the tablet.
3. Disconnect the power from the tablet by first unplugging the power cord from the AC outlet and then unplugging the AC adapter from the tablet.
4. Remove the back cover (see [Back cover on page 18](#)).
5. Remove the middle frame (see [Middle frame on page 20](#)).
6. Disconnect the battery cable from the system board (see [Battery on page 21](#)).

Remove the rear-facing webcam:

1. Disconnect the rear-facing webcam cable **(1)** from the system board.
2. Detach the rear-facing webcam **(2)** from the display panel assembly. (The rear-facing webcam is attached to the display panel assembly with double-sided adhesive.)

3. Remove the rear-facing webcam bracket **(3)**.

The rear-facing webcam bracket is available using spare part number 796816-001.



4. Remove the rear-facing webcam, bracket, and cable.

Reverse this procedure to install the rear-facing webcam.

## Front-facing webcam

Description	Spare part number
Front-facing webcam (2.0-MP, fixed-focus)	796814-001

Before removing the rear-facing webcam, follow these steps:

1. Shut down the tablet. If you are unsure whether the tablet is off or in Hibernation, turn the tablet on, and then shut it down through the operating system.
2. Disconnect all external devices connected to the tablet.
3. Disconnect the power from the tablet by first unplugging the power cord from the AC outlet and then unplugging the AC adapter from the tablet.
4. Remove the back cover (see [Back cover on page 18](#)).
5. Remove the middle frame (see [Middle frame on page 20](#)).
6. Disconnect the battery cable from the system board (see [Battery on page 21](#)).

Remove the front-facing webcam:

1. Disconnect the front-facing webcam cable **(1)** from the system board.
2. Remove the front-facing webcam **(2)** and cable.



Reverse this procedure to install the front-facing webcam.



# Button board

Description	Spare part number
Button board (includes cable, power button actuator, and volume button actuators)	800024-001

Before removing the button board, follow these steps:

1. Shut down the tablet. If you are unsure whether the tablet is off or in Hibernation, turn the tablet on, and then shut it down through the operating system.
2. Disconnect all external devices connected to the tablet.
3. Disconnect the power from the tablet by first unplugging the power cord from the AC outlet and then unplugging the AC adapter from the tablet.
4. Remove the back cover (see [Back cover on page 18](#)).
5. Remove the middle frame (see [Middle frame on page 20](#)).
6. Disconnect the battery cable from the system board (see [Battery on page 21](#)).

Remove the button board:

1. Release the ZIF connector **(1)** to which the button board cable is attached, and then disconnect the button board cable from the system board.
2. Remove the button board **(2)** and cable.



Reverse this procedure to install the button board.

# Display panel cable

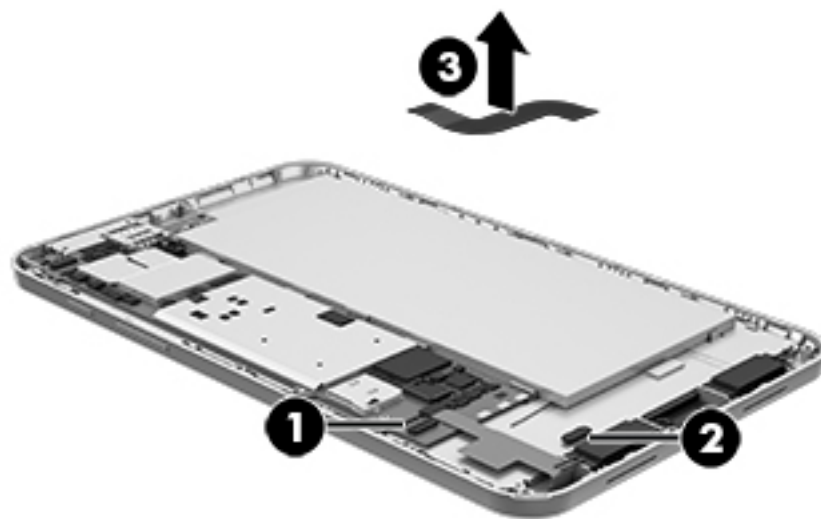
Description	Spare part number
Display panel cable	796819-001

Before removing the display panel cable, follow these steps:

1. Shut down the tablet. If you are unsure whether the tablet is off or in Hibernation, turn the tablet on, and then shut it down through the operating system.
2. Disconnect all external devices connected to the tablet.
3. Disconnect the power from the tablet by first unplugging the power cord from the AC outlet and then unplugging the AC adapter from the tablet.
4. Remove the back cover (see [Back cover on page 18](#)).
5. Remove the middle frame (see [Middle frame on page 20](#)).
6. Disconnect the battery cable from the system board (see [Battery on page 21](#)).

Remove the display panel cable:

1. Release the ZIF connector **(1)** to which the display panel cable is attached, and then disconnect the button board cable from the system board.
2. Release the ZIF connector **(2)** to which the display panel cable is attached, and then disconnect the button board cable from the display panel assembly.
3. Remove the display panel cable **(3)**.



Reverse this procedure to install the display panel cable.

## Speakers

Description	Spare part number
Speakers (include left and right speakers and cables)	796818-001

Before removing the speakers, follow these steps:

1. Shut down the tablet. If you are unsure whether the tablet is off or in Hibernation, turn the tablet on, and then shut it down through the operating system.
2. Disconnect all external devices connected to the tablet.
3. Disconnect the power from the tablet by first unplugging the power cord from the AC outlet and then unplugging the AC adapter from the tablet.
4. Remove the back cover (see [Back cover on page 18](#)).
5. Remove the middle frame (see [Middle frame on page 20](#)).
6. Disconnect the battery cable from the system board (see [Battery on page 21](#)).

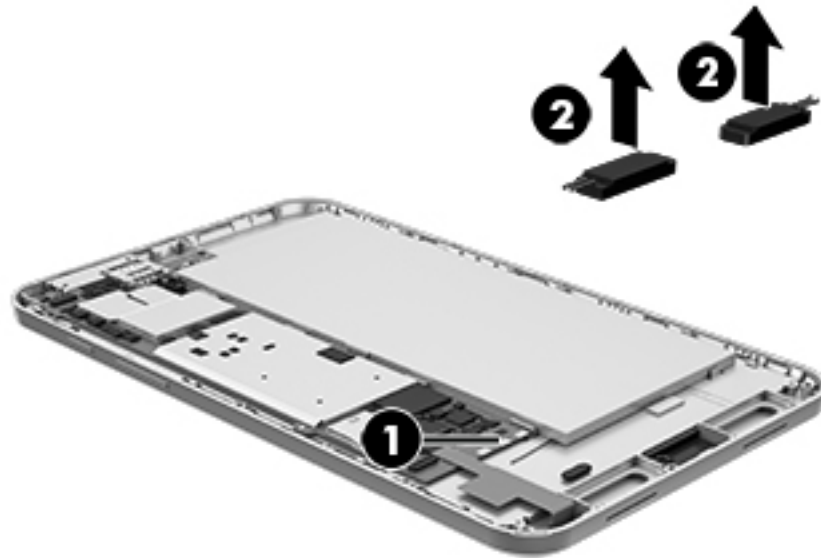
Remove the speakers:

1. Unsolder the red and black speaker cables **(1)** from the system board speaker contact points.




**NOTE:** When installing the speakers, the red speaker cables are soldered to the system board “positive” speaker terminals. The black speaker cables are soldered to the system board “negative” speaker terminals.

2. Remove the speakers (2).



Reverse this procedure to install the speakers.

## System board

 **NOTE:** The system board spare part kit is equipped with an Intel Z3735G 1.30-GHz (1.80-GHz burst mode) quad core processor, a graphics subsystem with UMA memory, 1.0-GB of system memory, 32-GB eMMC storage, and the Microsoft Windows 8.1 operating system.

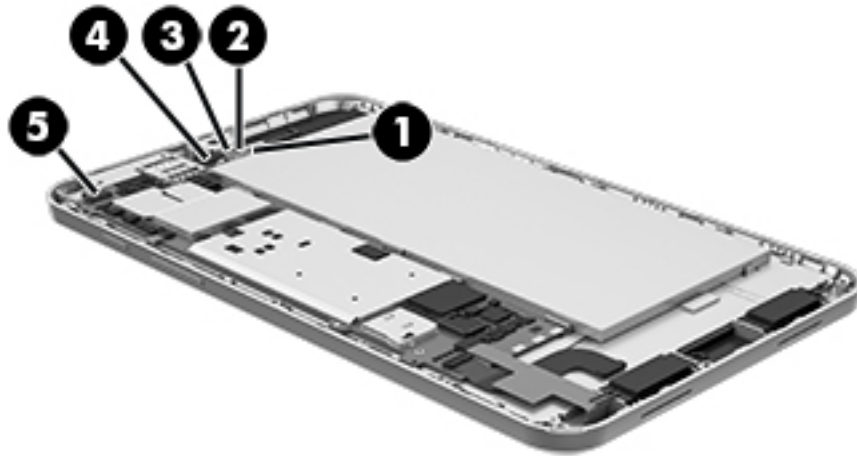
Description	Spare part number
For use on HP Stream 8 Tablet 59xx models in Asia Pacific countries and regions (includes 3G connectivity)	796812-371
For use on HP Stream 8 Tablet 59xx models in Europe, the Middle East, and Africa (includes 3G connectivity)	796812-021
For use on HP Stream 8 Tablet 59xx models in Latin America (includes 3G connectivity)	796812-161
For use on HP Stream 8 Tablet 59xx models in North America (includes 3G connectivity)	796812-001
For use on HP Stream 8 Tablet 59xx models in the People's Republic of China (includes 3G connectivity)	796812-AA1
For use on HP Stream 8 Tablet 58xx models in Asia Pacific countries and regions (includes Wi-Fi connectivity)	799858-371
For use on HP Stream 8 Tablet 58xx models in North America (includes Wi-Fi connectivity)	799858-001
For use on HP Stream 8 Tablet 58xx models in the People's Republic of China (includes Wi-Fi connectivity)	799858-AA1

Before removing the system board, follow these steps:

1. Turn off the tablet. If you are unsure whether the tablet is off or in Hibernation, turn the tablet on, and then shut it down through the operating system.
2. Disconnect the power from the tablet by unplugging the power cord from the tablet.
3. Disconnect all external devices from the tablet.
4. Remove the back cover (see [Back cover on page 18](#)).
5. Remove the middle frame (see [Middle frame on page 20](#)).
6. Disconnect the battery cable from the system board (see [Battery on page 21](#)).

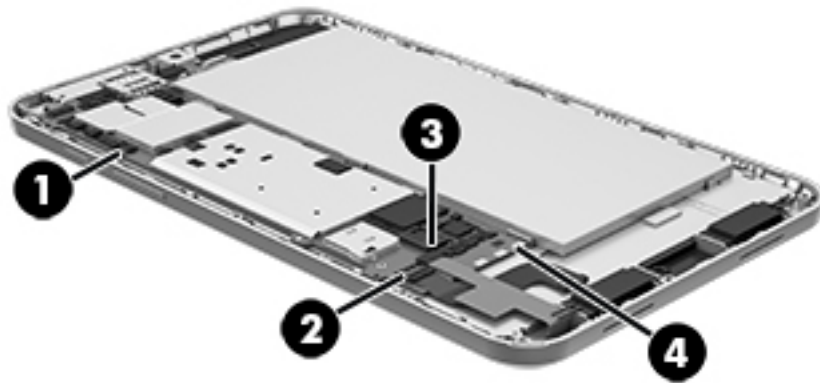
Remove the system board:

1. Disconnect the 3G antenna cables **(1)** from the system board 3G terminals.
2. Disconnect the WWAN antenna cable **(2)** from the system board WWAN terminal.
3. Disconnect the WLAN antenna cable **(3)** from the system board WLAN terminal.
4. Disconnect the rear-facing webcam cable **(4)** from the system board.
5. Disconnect the front-facing webcam cable **(5)** from the system board.



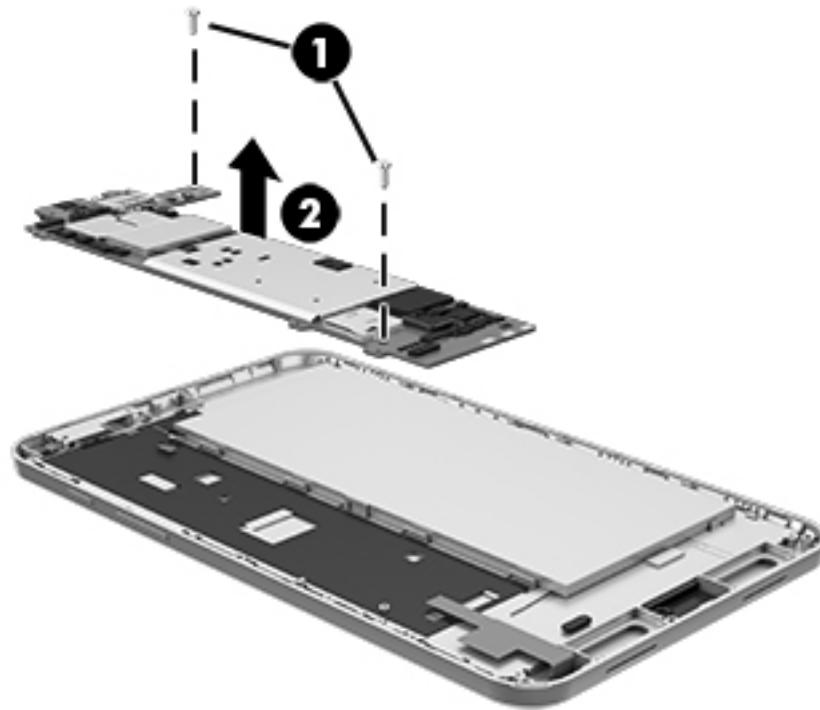
6. Release the ZIF connector **(1)** to which the button board cable is attached, and then disconnect the button board cable from the system board.
7. Release the ZIF connector **(2)** to which the display panel cable is attached, and then disconnect the display panel cable from the system board.
8. Release the ZIF connector **(3)** to which the TouchScreen board cable is attached, and then disconnect the TouchScreen board cable from the system board.

9. Unsolder the red and black speaker cables (**4**) from the system board speaker contact points (see [Front-facing webcam on page 26](#)).



10. Remove the two Phillips PM1.3×1.6 screws (**1**) that secure the system board to the display panel assembly.

11. Remove the system board (2).



Reverse this procedure to install the system board.

## WWAN antenna

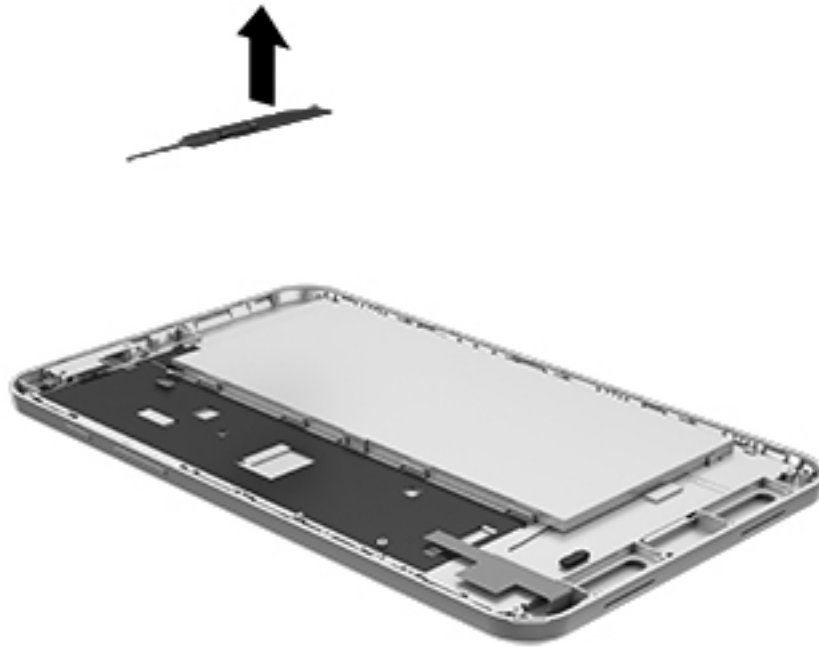
Description	Spare part number
WWAN antenna (includes cable, transceiver, and double-sided adhesive)	796823-001

Before removing the WWAN antenna, follow these steps:

1. Shut down the tablet. If you are unsure whether the tablet is off or in Hibernation, turn the tablet on, and then shut it down through the operating system.
2. Disconnect all external devices connected to the tablet.
3. Disconnect the power from the tablet by first unplugging the power cord from the AC outlet and then unplugging the AC adapter from the tablet.
4. Remove the back cover (see [Back cover on page 18](#)).
5. Remove the middle frame (see [Middle frame on page 20](#)).
6. Disconnect the battery cable from the system board (see [Battery on page 21](#)).
7. Remove the system board (see [System board on page 30](#)).

Remove the WWAN antenna:

1. Detach the WWAN antenna transceiver from the display panel assembly. (The WWAN antenna transceiver is attached to the display panel assembly with double-sided adhesive.)



2. Remove the WWAN antenna cable and transceiver.  
Reverse this procedure to install the WWAN antenna.

## WLAN antenna

Description	Spare part number
WLAN antenna (includes cable, transceiver, and double-sided adhesive)	796822-001

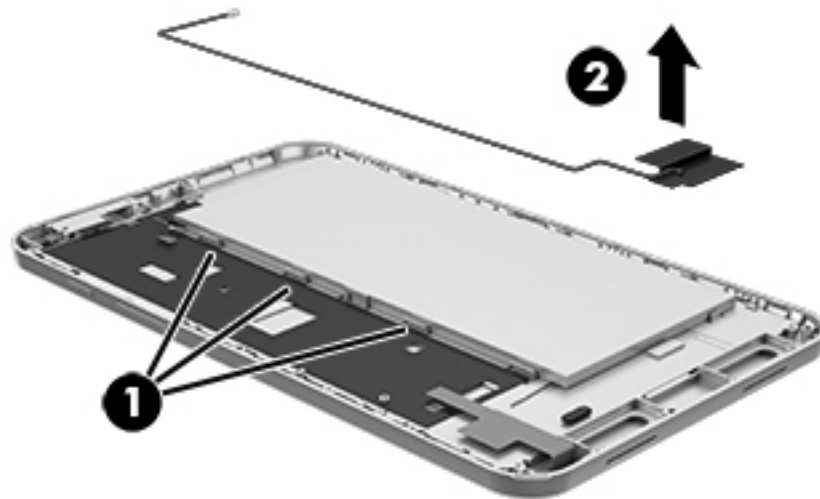
Before removing the WLAN antenna, follow these steps:

1. Shut down the tablet. If you are unsure whether the tablet is off or in Hibernation, turn the tablet on, and then shut it down through the operating system.
2. Disconnect all external devices connected to the tablet.
3. Disconnect the power from the tablet by first unplugging the power cord from the AC outlet and then unplugging the AC adapter from the tablet.
4. Remove the back cover (see [Back cover on page 18](#)).
5. Remove the middle frame (see [Middle frame on page 20](#)).
6. Disconnect the battery cable from the system board (see [Battery on page 21](#)).
7. Remove the system board (see [System board on page 30](#)).



Remove the WLAN antenna:

1. Release the WLAN antenna cable from the retention clips **(1)** built into the display panel assembly.
2. Detach the WLAN antenna transceiver **(2)** from the display panel assembly. (The WLAN antenna transceiver is attached to the display panel assembly with double-sided adhesive.)



3. Remove the WLAN antenna cable and transceiver.

Reverse this procedure to install the WLAN antenna.


## 6 Using HP PC Hardware Diagnostics (UEFI)

HP PC Hardware Diagnostics is a Unified Extensible Firmware Interface (UEFI) that allows you to run diagnostic tests to determine whether the tablet hardware is functioning properly. The tool runs outside the operating system so that it can isolate hardware failures from issues that are caused by the operating system or other software components.

To start HP PC Hardware Diagnostics (UEFI):

1. Turn off the tablet.
2. Press and hold the **Volume down** button.
3. While continuing to hold the **Volume down** button, press the **Power** button to turn on the tablet. The Startup menu is displayed.
4. Press **f2** at the bottom of the screen.
5. When the diagnostic tool opens, select the type of diagnostic test you want to run, and then follow the on-screen instructions.


---

 **NOTE:** If you need to stop a diagnostic test, press **esc**.

---

### Downloading HP PC Hardware Diagnostics (UEFI) to a USB device

---

 **NOTE:** Instructions for downloading HP PC Hardware Diagnostics (UEFI) are provided in English only.

---

There are two options to download HP PC Hardware Diagnostics to a USB device:

**Option 1: HP PC Diagnostics homepage**—Provides access to the latest UEFI version

1. Go to <http://hp.com/go/techcenter/pcdiags>.
2. Tap the **UEFI Download** link, and then select **Run**.

**Option 2: Support and Drivers pages**—Provide downloads for a specific product for earlier and later versions

1. Go to <http://www.hp.com>.
2. Tap **Support**, located at the top of the page, and then tap **Download Drivers**.
3. In the text box, enter the product name, and then tap **Go**.  
– or –  
Tap **Find Now** to let HP automatically detect your product.
4. In the **Diagnostic** section, tap **HP UEFI Support Environment**.  
– or –
5. Tap **Download**, and then select **Run**.

# 7 Specifications

	Metric	U.S.
<b>Dimensions</b> (portrait orientation)		
Height	<b>20.9 cm</b>	8.2 in
Width	<b>12.4 cm</b>	4.9 in
Depth	<b>0.9 cm</b>	0.4 in
Weight (HP Stream 8 Tablet 59xx model)	<b>410 g</b>	0.90 lb
Weight (HP Stream 8 Tablet 58xx model)	<b>405 g</b>	0.89 lb
<b>Operating voltage and current</b>	5 V dc @ 3A - 15W	
<b>NOTE:</b> This product is designed for IT power systems in Norway with phase-to-phase voltage not exceeding 240 V rms.		
<b>NOTE:</b> The tablet operating voltage and current can be found on the system regulatory label.		
<b>Temperature</b>		
Operating	<b>5°C to 35°C</b>	41°F to 95°F
Nonoperating	<b>-20°C to 60°C</b>	-4°F to 140°F
<b>Relative humidity</b> (non-condensing)		
Operating	10% to 90%	
Nonoperating	5% to 95%	
<b>Maximum altitude</b> (unpressurized)		
Operating	<b>-15 m to 3,048 m</b>	-50 ft to 10,000 ft
Nonoperating	<b>-15 m to 12,192 m</b>	-50 ft to 40,000 ft
<b>NOTE:</b> Applicable product safety standards specify thermal limits for plastic surfaces. The device operates well within this range of temperatures.		


---

## 8 Backup and recovery


To protect your information, use Windows backup and restore utilities to back up individual files and folders, back up your entire hard drive, or create system restore points. In case of system failure, you can use the backup files to restore the contents of your tablet.

1. Swipe from the right edge of the touch screen to display the charms, tap **Search**, and then tap the search box.
2. In the search box, type `restore`, and then select from the list of displayed options.

---

 **NOTE:** For detailed instructions on various backup and restore options, perform a search for these topics in Windows Help and Support.

In case of system instability, HP recommends that you print the recovery procedures and save them for later use.

 **NOTE:** Windows includes the User Account Control feature to improve the security of your tablet. You may be prompted for your permission or password for tasks such as installing software, running utilities, or changing Windows settings. For more information, see Windows Help and Support.

---

### Backing up your information

Recovery after a system failure is as good as your most recent backup. You should create system repair media and your initial backup immediately after initial system setup. As you add new software and data files, you should continue to back up your system on a regular basis to maintain a reasonably current backup.


For more information on the Windows backup features, see Windows Help and Support.

### Performing a system recovery

In case of system failure or instability, the tablet provides the following tools to recover your files:

- Windows recovery tools: You can use Windows Backup and Restore to recover information you have previously backed up. You can also use Windows Automatic Repair to fix problems that might prevent Windows from starting correctly.

---

 **NOTE:** If you are unable to boot (start up) your tablet, contact support.

---

## Changing the boot device order

To change the boot order so that you can boot from an external device:



---

**NOTE:** An external flash drive is required to perform this procedure.

---

1. If possible, back up all personal files.
2. Shut down the tablet.
3. Connect the external flash drive.
4. Turn off the tablet.
5. Press and hold the **Volume down** button.
6. While continuing to hold the **Volume down** button, press the **Power** button to turn on the tablet.  
The Startup menu is displayed.
7. Tap **F9 Boot Options**.
8. Select the external flash drive as the boot device.
9. Restart the tablet.

## Using Windows Refresh or Windows Reset

When your tablet is not working properly and you need to regain system stability, the Windows Refresh option allows you to start fresh and keep what is important to you. The Windows Reset option allows you to perform detailed reformatting of your tablet, or remove personal information before you give away or recycle your tablet.

For more information on these features, see Windows Help and Support.

# 9 Power cord set requirements

The wide-range input feature of the tablet permits it to operate from any line voltage from 100 to 120 volts AC, or from 220 to 240 volts AC.

The 2-conductor power cord set included with the tablet meets the requirements for use in the country or region where the equipment is purchased.

Power cord sets for use in other countries and regions must meet the requirements of the country or region where the tablet is used.

## Requirements for all countries

The following requirements are applicable to all countries and regions:

The length of the power cord set must be at least **1.0 m** (3.3 ft) and no more than **2.0 m** (6.5 ft).

All power cord sets must be approved by an acceptable accredited agency responsible for evaluation in the country or region where the power cord set will be used.

## Requirements for specific countries and regions

Country/region	Accredited agency
Argentina	IRAM
Australia	SAA
Austria	OVE
Belgium	CEBEC
Brazil	ABNT
Canada	CSA
Chile	IMQ
Denmark	DEMKO
Finland	FIMKO
France	UTE
Germany	VDE
India	ISI
Israel	SII
Italy	IMQ
Japan	JIS
The Netherlands	KEMA
New Zealand	SANZ

<b>Country/region</b>	<b>Accredited agency</b>
Norway	NEMKO
The People's Republic of China	CCC
Saudi Arabia	SASO
Singapore	PSB
South Africa	SABS
South Korea	KTL
Sweden	SEMKO
Switzerland	SEV
Taiwan	BSMI
Thailand	TISI
The United Kingdom	ASTA
The United States	UL

---

# 10 Recycling

When a non-rechargeable or rechargeable battery has reached the end of its useful life, do not dispose of the battery in general household waste. Follow the local laws and regulations in your area for battery disposal.

HP encourages customers to recycle used electronic hardware, HP original print cartridges, and rechargeable batteries. For more information about recycling programs, see the HP Web site at <http://www.hp.com/recycle>.



# Index

## Symbols/Numerics

3G antenna board  
removal 22  
spare part number 6, 13, 22  
3G antenna cable, spare part  
number 13

## A

AC adapter, spare part numbers 7,  
9  
antenna  
removal 33, 34  
spare part numbers 7, 13, 33,  
34  
audio, product description 1  
audio-in (microphone) jack,  
location 4  
audio-out (headphone) jack,  
location 4

## B

back cover  
removal 18  
spare part number 6, 12, 18  
battery  
removal 21  
spare part number 6, 12, 21  
button board  
removal 27  
spare part number 6, 13, 27  
buttons  
power 4  
volume down 4  
volume up 4  
Windows 4

## C

cables, service considerations 14  
connectors, service considerations  
14

## D

display panel assembly, spare part  
number 7, 12, 18

display panel cable  
removal 28  
spare part number 6, 13, 28  
display panel, product description 1

## E

electrostatic discharge 15  
equipment guidelines 17  
external expansion, product  
description 1

## F

front-facing webcam  
location 4  
removal 26  
spare part number 6, 13, 26  
front-facing webcam shield, spare  
part number 6, 13

## G

grounding guidelines 15  
guidelines  
equipment 17  
grounding 15  
packaging 16  
transporting 16  
workstation 16

## H

headphone (audio-out) jack 4

## J

jacks  
audio-in (microphone) 4  
audio-out (headphone) 4

## M

mass storage device, product  
description 1  
memory module, product  
description 1  
microphone (audio-in) jack,  
location 4  
microphone, product description 1

middle frame  
removal 20  
spare part numbers 6, 12, 20  
model name 1

## O

operating system, product  
description 2

## P

packaging guidelines 16  
plastic parts, service  
considerations 14  
ports  
product description 1  
USB 4  
power button 4  
power cord, set requirements 40  
power requirements, product  
description 1  
processor, product description 1  
product description  
audio 1  
display panel 1  
external expansion 1  
mass storage 1  
memory module 1  
microphone 1  
operating system 2  
ports 1  
power requirements 1  
processors 1  
product name 1  
sensor 1  
serviceability 2  
video 1  
wireless networking 1  
product name 1

## R

rear-facing webcam  
location 4  
removal 24  
spare part number 6, 13, 24

rear-facing webcam bracket  
removal 25  
spare part number 6, 13, 25

## S

Screw Kit, spare part number 9, 13  
SD Card Reader slot 4  
sensor, product description 1  
service considerations  
cables 14  
connectors 14  
plastic parts 14  
serviceability, product description 2  
side key cable, spare part number 13  
Speaker Kit, spare part number 6, 13, 29  
speakers  
location 4  
removal 29  
spare part number 6, 13, 29  
system board  
removal 30  
spare part numbers 7, 12, 13, 30

## T

tablet  
major components 6  
spare part numbers 7, 8, 9, 10, 11, 12  
specifications 37  
tools required 14  
transporting guidelines 16

## U

USB extension cable, spare part number 9  
USB port 4

## V

video, product description 1  
volume button board, spare part number 13  
volume down button 4  
volume up button 4

## W

webcam  
removal 24, 26  
spare part numbers 6, 13, 24, 26  
Windows button 4  
wireless antenna  
removal 33, 34  
spare part numbers 7, 13, 33, 34  
wireless networking, product description 1  
WLAN antenna  
removal 34  
spare part number 7, 13, 34  
workstation guidelines 16  
WWAN antenna  
removal 33  
spare part number 7, 13, 33